

Motor 125 Duke 2022

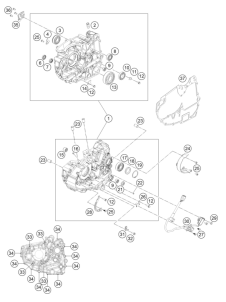
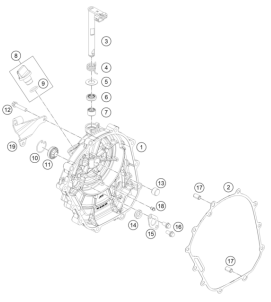
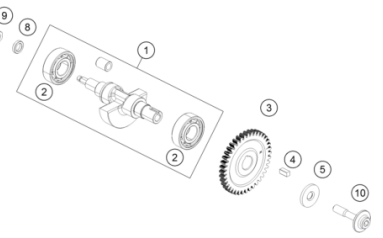
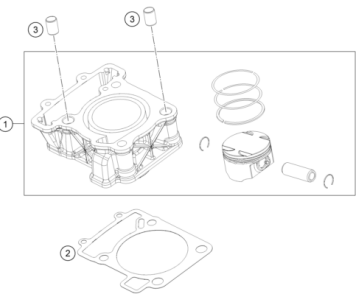
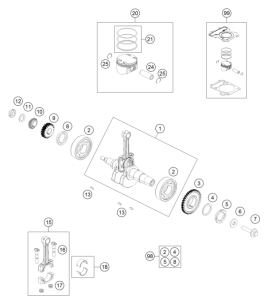
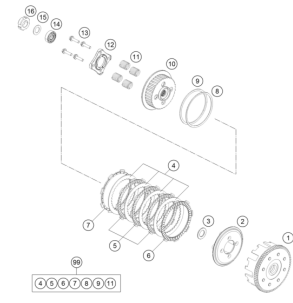
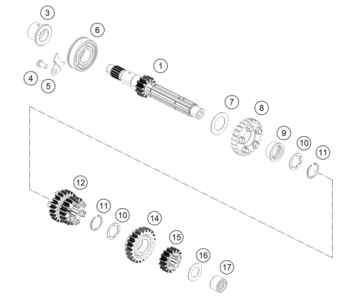
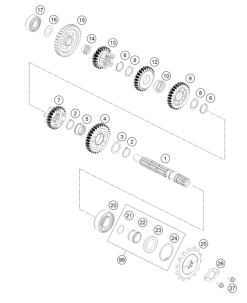
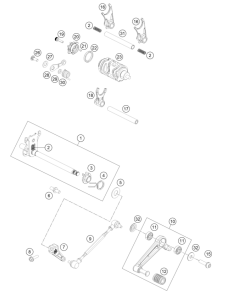
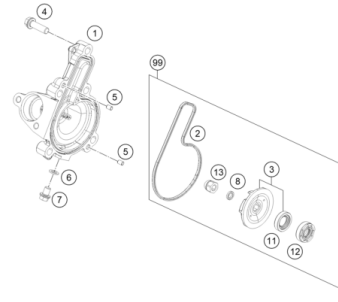
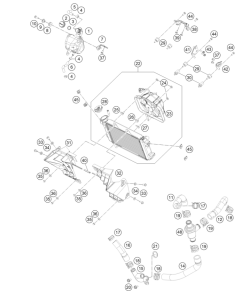
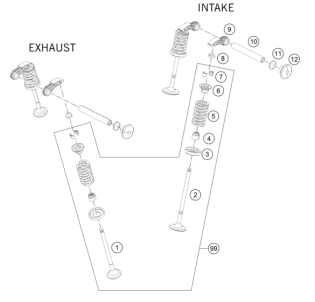
ART.-NR.: 081200VEN

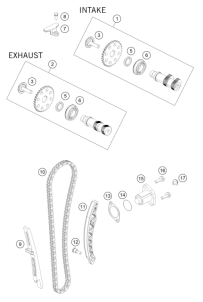
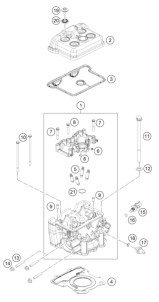
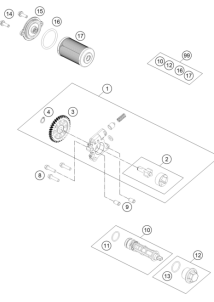
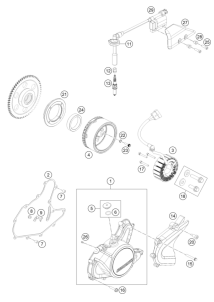
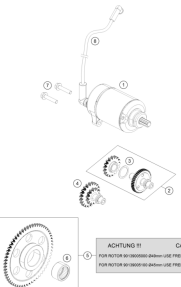
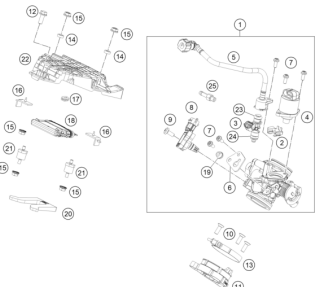




All information contained is without obligation. KTM Sportmotorcycle GmbH particularly reserves the right to modify any equipment, technical specifications, prices, colors, shapes, materials, services, service work, constructions, equipment and the like so as to adapt them to local conditions or to cancel any of the above items, all without previous announcement and without giving reasons. KTM may stop manufacturing certain models without previous notice. KTM shall not be held liable for any deviations of availability and/or ability to deliver, illustrations, descriptions, printing and/or other errors. The illustrated models partly contain extra equipment, which is not applied to standard models.

© by KTM Sportmotorcycle GmbH, Mattighofen AUSTRIA; All rights reserved; Reprint, also in extracts, with written allowance of KTM Sportmotorcycle GmbH, Mattighofen only.

<p>ENGINE CASE</p>  <p>3</p>	<p>CLUTCH COVER</p>  <p>4</p>	<p>BALANCER SHAFT</p>  <p>5</p>	<p>CYLINDER</p>  <p>6</p>
<p>CRANKSHAFT, PISTON</p>  <p>7</p>	<p>CLUTCH</p>  <p>8</p>	<p>TRANSMISSION I - MAIN SHAFT</p>  <p>9</p>	<p>TRANSMISSION II - COUNTERSHAFT</p>  <p>10</p>
<p>SHIFTING MECHANISM</p>  <p>11</p>	<p>WATER PUMP</p>  <p>12</p>	<p>COOLING SYSTEM</p>  <p>13</p>	<p>VALVE DRIVE</p>  <p>15</p>

<p>TIMING DRIVE</p>  <p>17</p>	<p>CYLINDER HEAD</p>  <p>18</p>	<p>LUBRICATING SYSTEM</p>  <p>19</p>	<p>IGNITION SYSTEM</p>  <p>20</p>
<p>ELECTRIC STARTER</p>  <p>21</p>	<p>THROTTLE BODY</p>  <p>22</p>		



POS	PARTNUMBER	PARTNAME	PIECE
1	93530000044	Kit Cr' Case KTM 200 MY20 36xxx	1
2	90230022000	Pipe breather	1
3	J625062040	GROOVED BALL BEARING 6204	1
4	90130004002	LOCK WASHER F.BEARING DRIVE	1
6	J760122455	SHAFT SEALING RING 12X24X5,5	1
7	0760122406	Shaft seal ring 12x24x6	1
8	90130004003	BALL BEARING 15X35X11	1
9	J618131912	NEEDLE ROLLER BEARING HK1312	2
10	90130004004	Bearing ball	1
11	90130078000	LOCK WASHER	1
12	90130078001	FLANGED BOLT 6X12	4
13	90130082000	BALL BEARING 63/2/8 HN3CNP	1
14	90230079000	STOPPER BALANCER SHAFT BEARING	1
15	J618152114	NEEDLE BEAR. HK1514RS 15X21X14	1
16	90130164000	OIL NOZZLE	1
17	J625062041	BALL BEARING 6204-Z/HN3	1
18	90230077000	OIL SEAL OUTPUT SHAFT	1
19	J472037150	CIRCLIP 37X1,5	1
21	90130003004	Seal - oil	1
22	90130058000	OILJET	1
23	90130003007	DOWEL D14	4
24	90130047000	CHAIN GUARD	1
25	J005060123S	SCREW PAN CROSS M6X12 PH SS	5
26	90130003005	CABLE SUPPORT BELOW	1
27	J011050133	HH COLLAR SCREW M5X13 SW8	2
28	90530003001	Bracket harness upper	1
29	J025050163S	FLANGED BOLT M5X16	2
30	93311023000	gear sensor	1
31	90140020002	BRACKET F. FREE WHEEL GEAR	1
32	0028060164	bolt flanged-m6x1x16xbrxprecoat	1
33	90130096000	Bolt flanged M6X60	4
34	J025060401	HH COLLAR SCREW M6X40	10
35	90630042000	BREATHER PLATE	1
36	90130042010	Screw M5X10	3
37	90630039000	ENGINE CASE GASKET	1

179013010

53870

* NEW PART

X ON DEMAND

CLUTCH COVER

Motor 125 Duke 2022



POS	PARTNUMBER	PARTNAME	PIECE
1	93530026044	Clutch cover complete	1
2	93530027000	Gasket clutch cover	1
3	94032048033	SHAFT ASSEMBLY CLUTCH	1
4	90132048004	SPRING F. RELEASE LEVER	1
5	90132048005	WASHER 12,5X24X0,8MM	1
6	90132051000	OIL SEAL RING	1
7	90132050000	needle bearing	1
8	90130020000	OIL PLUG CPL.	1
9	J770013824	O-RING 13,8X2,4	1
10	90130095001	WIRE CIRCLIP 28X1,5	1
11	90130095100	OIL GAUGE GLASS	1
12	J025060301	HH COLLAR SCREW M6X30	11
13	90132054000	PUSH ROD	1
14	90134027000	Seal - Oil	1
15	90130026003	Plate Position	1
16	J01665060123S	Hex collar screw, M6x12	2
17	90130024000	PIN DOWEL 8X6,4X14MM	2
18	90130064000	OIL JET	1
19	94030059000	BRACKET CABLE CLUTCH	1

179013020

56008

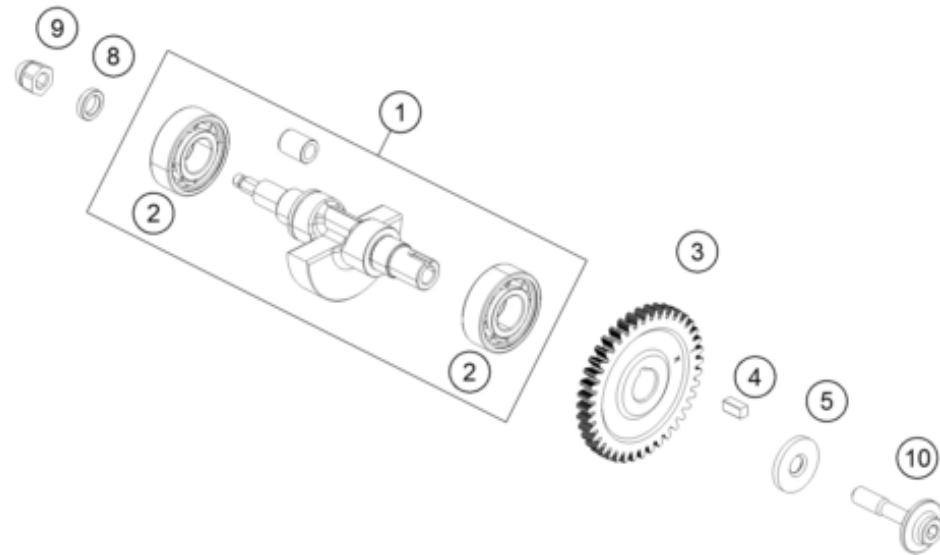
* NEW PART

X ON DEMAND

ENGINE 4

BALANCER SHAFT

Motor 125 Duke 2022



POS	PARTNUMBER	PARTNAME	PIECE
1	90130057300	BALANCER SHAFT	1
2	J625062030	BALL BEARING 6203	2
3	90130055000	DRIVE WHEEL BALANCER SHAFT	1
4	90130055001	Parallel key	1
5	90130057150	Washer 8,2X26X3	1
8	90130055006	SPACER SHIM	1
9	90135058000	DOME NUT WAPU-WHEEL	1
10	90130055103	Special screw	1

179013030

18451

* NEW PART

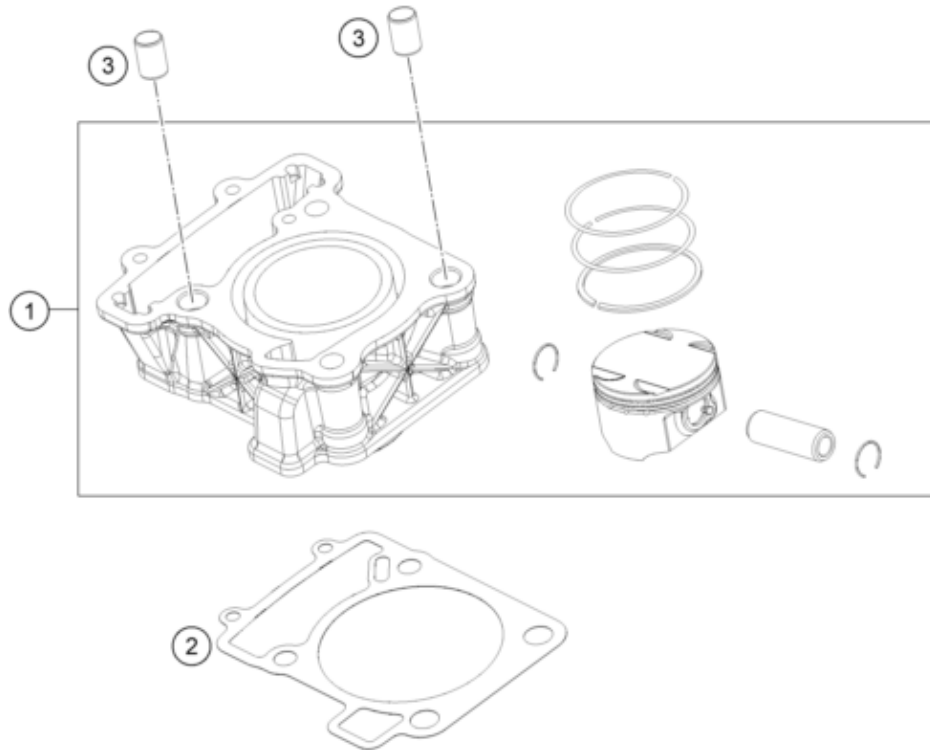
X ON DEMAND

ENGINE 5

CYLINDER

Motor 125 Duke 2022

POS	PARTNUMBER	PARTNAME	PIECE
1	90130038000	CYLINDER + PISTON KIT	1
2	90130035000	CYLINDER BASE GASKET	1
3	90130003007	DOWEL D14	2

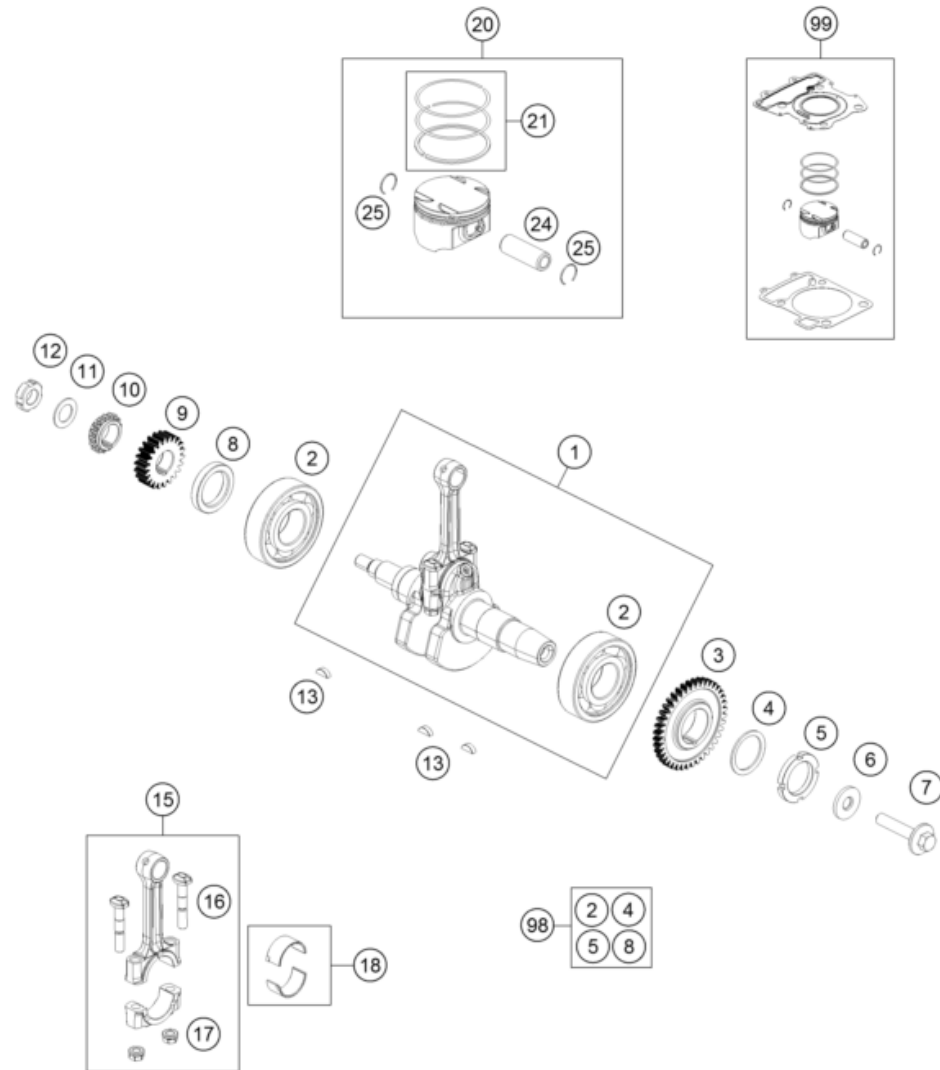


119013040

11051

* NEW PART

X ON DEMAND



POS	PARTNUMBER	PARTNAME	PIECE
1	90130018000	CRANKSHAFT CPL.	1
2	90130082000	BALL BEARING 63/2/8 HN3CNP	2
3	90130018006	DRIVE WHEEL CRANKSH. F. AGW	1
4	90230069000	CONICAL WASHER 28,35X38X1,75	1
5	90130018008	NUT FOR DRIVE WHEEL AGW	1
6	J021100003	WASHER 10,3X29X3,2	1
7	J025100509S	FLANGED BOLT M10X1,25X55	1
8	90130018003	SPACER SHIM	1
9	90132024000	PRIMARY GEAR 22T.	1
10	90136014017	TIMING GEAR 17 T.	1
11	90130029050	WASHER PRIMARY DRIVE GEAR	1
12	90132025000	NUT SPROCKET DRIVE LOCK M14	1
13	J888040050	WOODRUFF KEY 4X5X13	3
15	90130015000	CONNECTING ROD CPL.	1
16	90130015001	CONNECTING-ROD BOLT	2
17	90130015002	NUT F. CONNECTING-ROD BOLT	2
18	90130015010	CON ROD BEARING SHELL	1
18	90130015011	CON ROD BEARING SHELL GREEN	x
18	90130015012	CON ROD BEARING SHELL BLUE	x
20	90130007033	Piston cpl.	1
21	90130030010	PISTON RING CPL.	1
24	90130033000	PISTON BOLT	1
25	90130074000	CIRCLIP	2
98	00050002314	CRANKSHAFT REP. KIT DUKE	x
99	00050000210	PISTON KIT 125 DUKE 11-13	x

179013060

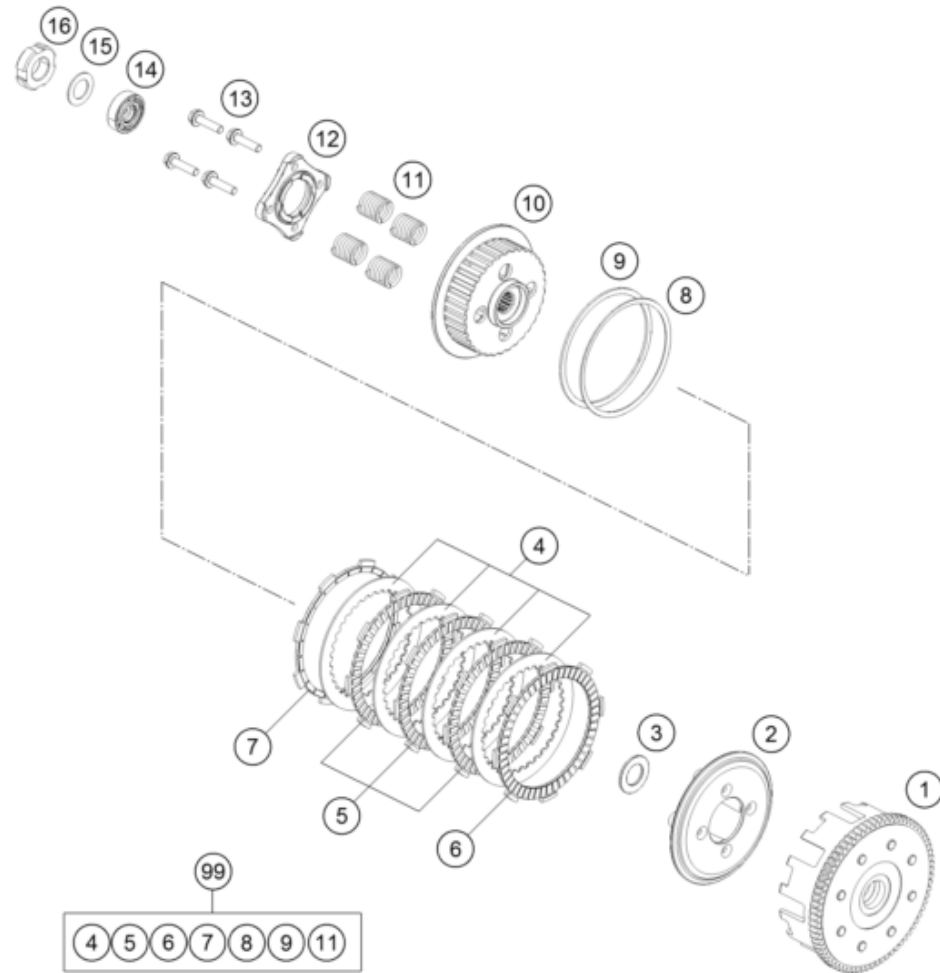
18452

* NEW PART

X ON DEMAND

CLUTCH

Motor 125 Duke 2022



POS	PARTNUMBER	PARTNAME	PIECE
1	93532001033	Outer clutch hub	1
2	90132003000	PRESSURE CAP	1
3	90132020000	STOP DISK	1
4	90132010000	INTERMEDI. DISC	4
5	90132011000	LINING DISK	3
6	90132111000	LINING DISK INSIDE	1
7	90132211000	LINING DISC TURNED OFF	1
8	90132034000	BELLEVILLE SPRING	1
9	90132035000	SUPPORT RING	1
10	90132002000	INNER CLUTCH HUB	1
11	90132005000	CLUTCH SPRING	4
12	90132006000	PRESSURE PLATE	1
13	90132001001	COLLAR SCREW 6X25	4
14	90132095000	CLUTCH LIFTER BEARING	1
15	90632038000	BELLEVILLE SPRING	1
16	90132019000	CLUTCH NUT	1
99	90132011010	CLUTCH KIT 125 DUKE 11-13	x

119013210

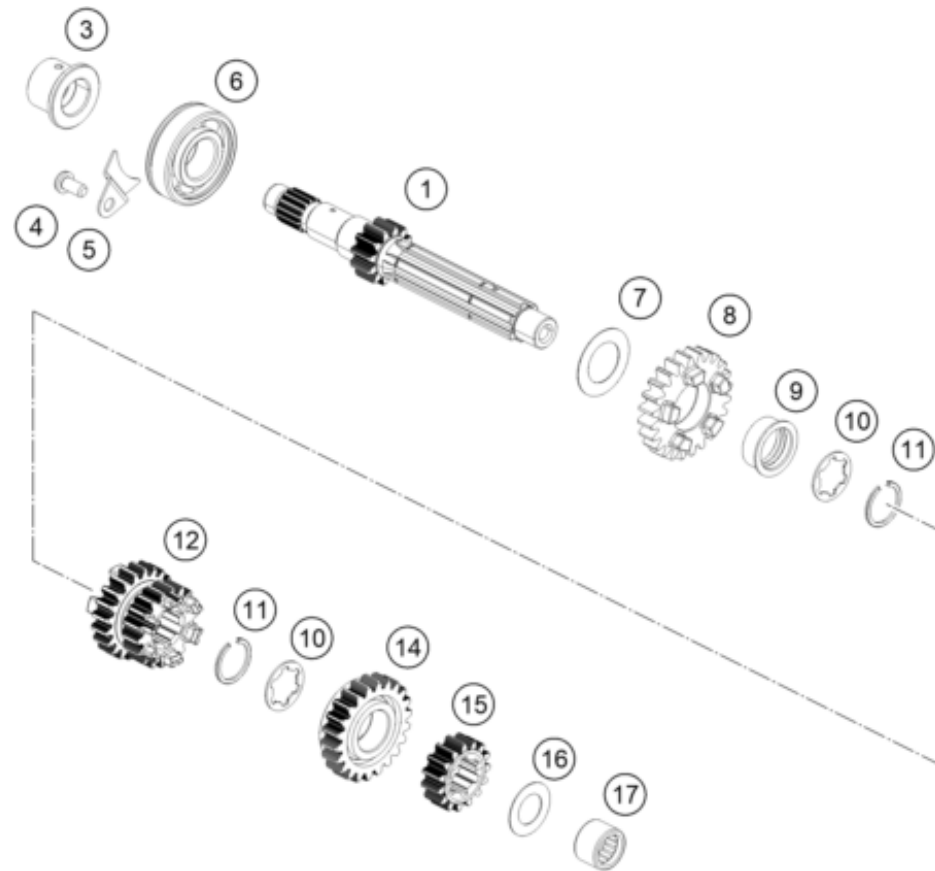
49977

* NEW PART

X ON DEMAND

TRANSMISSION I - MAIN SHAFT

Motor 125 Duke 2022



POS	PARTNUMBER	PARTNAME	PIECE
1	90633001000	MAIN SHAFT CPL.	1
3	93533001011	Collar	1
4	J005060123S	SCREW PAN CROSS M6X12 PH SS	1
5	90130004002	LOCK WASHER F.BEARING DRIVE	1
6	J625062040	GROOVED BALL BEARING 6204	1
7	90133032000	WASHER 20X33X0,5	1
8	90133006000	DRIVE WHEEL 6. GEAR	1
9	90133001003	BUSHING	1
10	90633033000	WASHER	2
11	J471020122	CIRCLIP 20X1,2	2
12	90133003000	DRIVE WHEEL 3. G./4.G.	1
14	90133005000	DRIVE WHEEL 5. GEAR	1
15	90633002000	DRIVE WHEEL 2. GEAR	1
16	90633001004	THRUST WASHER	1
17	J618152114	NEEDLE BEAR. HK1514RS 15X21X14	1

189063330

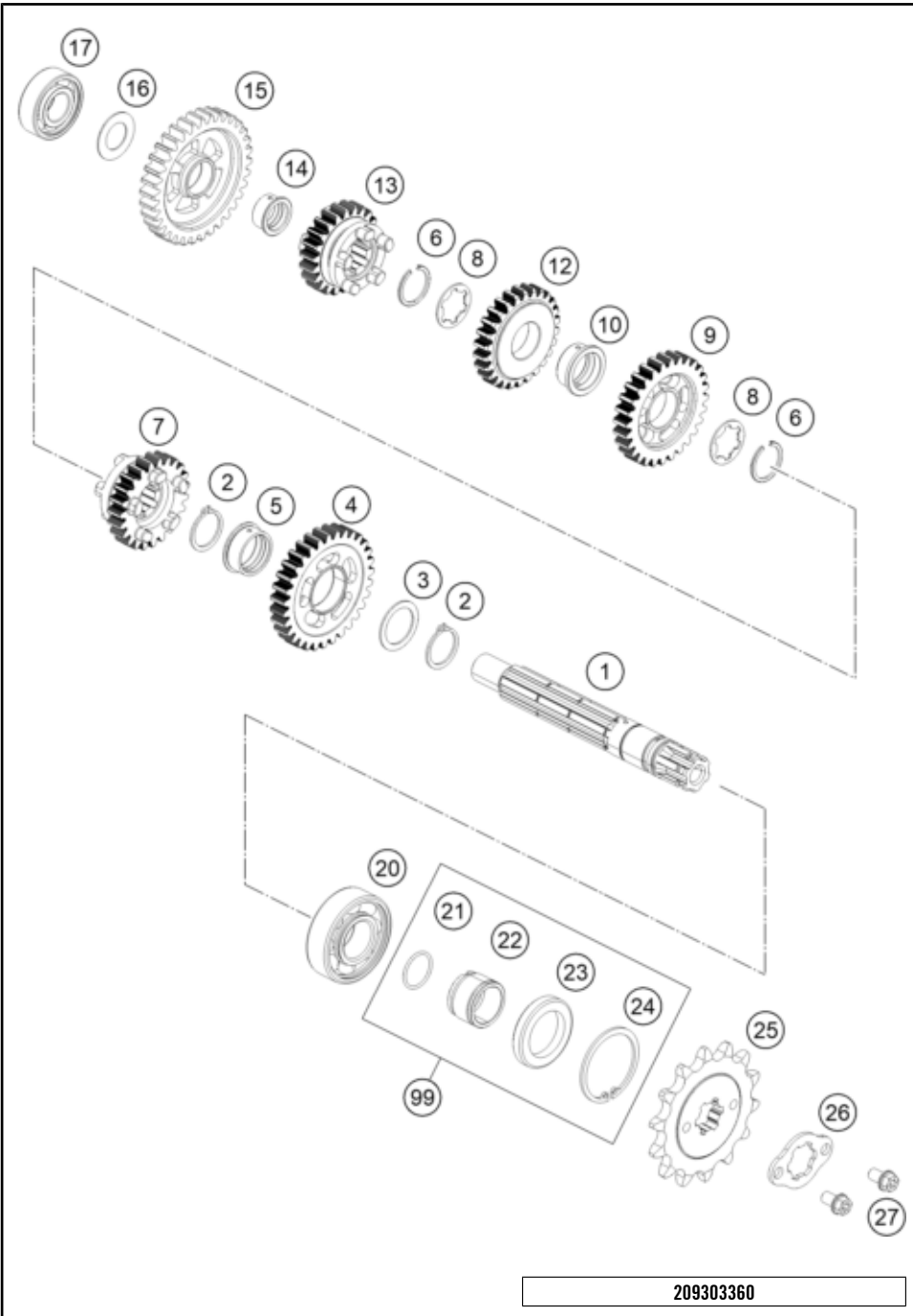
49979

* NEW PART

X ON DEMAND

TRANSMISSION II - COUNTERSHAFT

Motor 125 Duke 2022



POS	PARTNUMBER	PARTNAME	PIECE
1	93533010000	Shaft Output-Plug	1
2	J471020121	CIRCLIP 20X1,2	2
3	90133034000	WASHER 20,2X27X1	1
4	90633012100	gear driven second	1
5	90133001003	BUSHING	1
6	J471020122	CIRCLIP 20X1,2	2
7	93033015000	Transmission gear wheel, fifth -gear cou	1
8	J900001602600	Washer	1
9	93033013000	Transmission gear wheel, third -gear cou	1
10	J900002001100	Collar bushing	1
12	90133014000	COUNTERWHEEL 4. GEAR	1
13	93033016000	Transmission gear wheel, sixth -gear cou	1
14	90133001009	BUSHING	1
15	90133011000	COUNTERWHEEL 1. GEAR	1
16	J125150006	Washer 15X26X0,8	1
17	90130004003	BALL BEARING 15X35X11	1
20	J625062041	BALL BEARING 6204-Z/HN3	1
21	J770017515	O-RING 17,5X1,5	1
22	90133030000	COLLAR SPROCKET	1
23	90230077000	OIL SEAL OUTPUT SHAFT	1
24	J472037150	CIRCLIP 37X1,5	1
25	90133029014	SPROCKET 14T.	1
26	90110049000	plate drive sprocket	1
27	90110057000	BOLT M6X10	2
99	00050000982	COUNTER SHAFT REP.KIT125DUKE	x

209303360

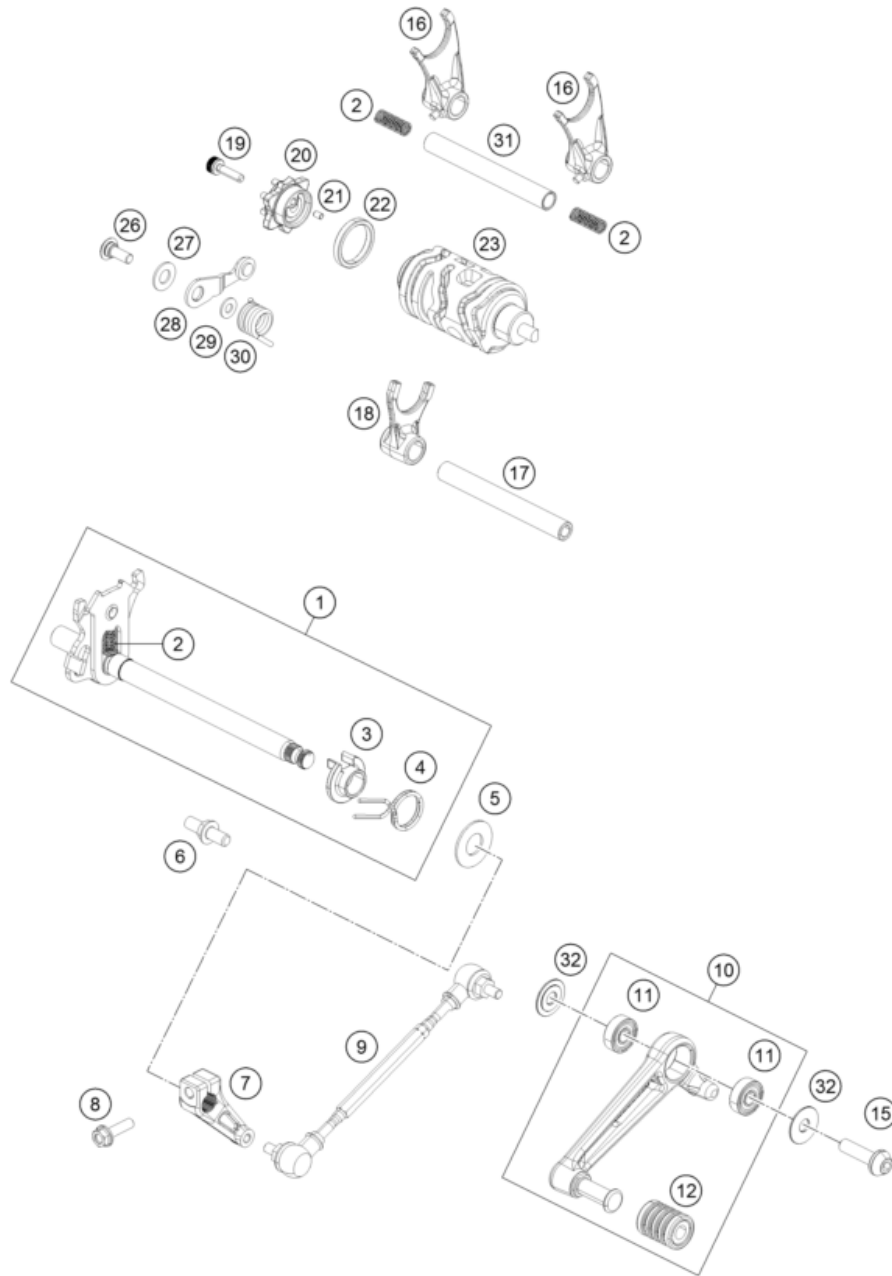
53861

* NEW PART

X ON DEMAND

SHIFTING MECHANISM

Motor 125 Duke 2022



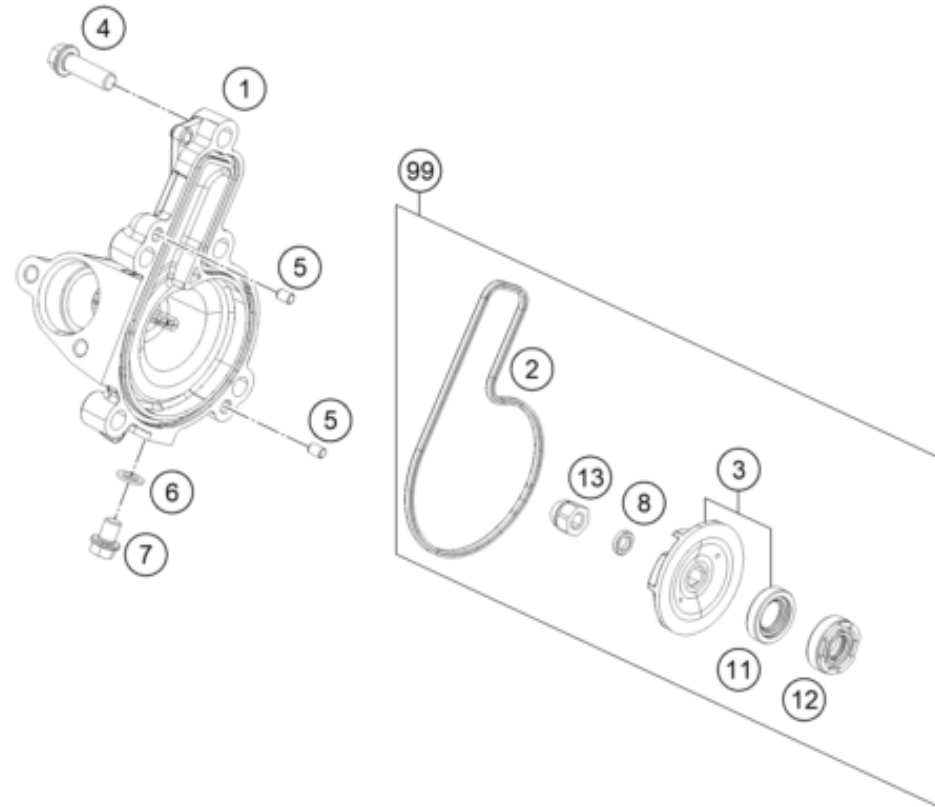
179013410

POS	PARTNUMBER	PARTNAME	PIECE
1	90134005033	SHIFT SHAFT CPL.	1
2	90134009000	TENSION SPRING	3
3	90134022000	SPRING BUSHING	1
4	90134014000	RETURN SPRING	1
5	90134050000	STOP DISK 14X30X1,5	1
6	90134016000	SPRING GUIDE	1
7	93034031010	Linkage gear shift lever	1
8	J025060221	Bolt-Flange-Kad ST-D DIA-06 L-22	1
9	93034036033	Shift rod complete	1
10	93034031033	Gear shift lever complete	1
11	J625060800	BALL BEARING 608	2
12	90134035000	GEAR SHIFT LEVER RUBBER	1
15	90134034300	BOLT SHIFT LEVER silver	1
15	90534034300	BOLT SHIFT LEVER black	1
16	93034001000	Shift fork	2
17	90134019000	GEAR SHIFT RAIL	1
18	90134001000	SHIFT FORK MAIN	1
19	90134098000	Bolt socket head M6X1X20 L-precoated	1
20	90134015000	SHIFT DRUM LOCATING	1
21	90134013000	Parallel pin	1
22	90134012002	SPACER	1
23	93534012000	Shift drum	1
26	90134025000	SCREW LOCKING LEVER	1
27	90134030000	WASHER LOCKING LEVER	1
28	90134024033	LOCKING LEVER CPL.	1
29	J125061416	Washer, 6x14x1.2	1
30	90134023000	ARRESTING LEVER SPRING	1
31	90134190000	GEAR SHIFT RAIL COUNTER	1
32	90534031020	WASHER SHIFTING LEVER	2

53862

* NEW PART

X ON DEMAND



POS	PARTNUMBER	PARTNAME	PIECE
1	91235052000	WATER PUMP COVER	1
2	90135053000	WATER PUMP COVER GASKET	1
3	90135055044	KIT WATER PUMP ROTOR & SEAL	1
4	J025060224	Hexagonal bolt M6x22	5
5	90134013000	Parallel pin	2
6	J603061001	COPPER GASKET	1
7	J025060104	Hex collar screw M6X10	1
8	90130055006	SPACER SHIM	1
11	J760122455	SHAFT SEALING RING 12X24X5,5	1
12	0760122406	Shaft seal ring 12x24x6	1
13	90135058000	DOME NUT WAPU-WHEEL	1
99	90135055210	Water pump rep. kit duke	x

179023510

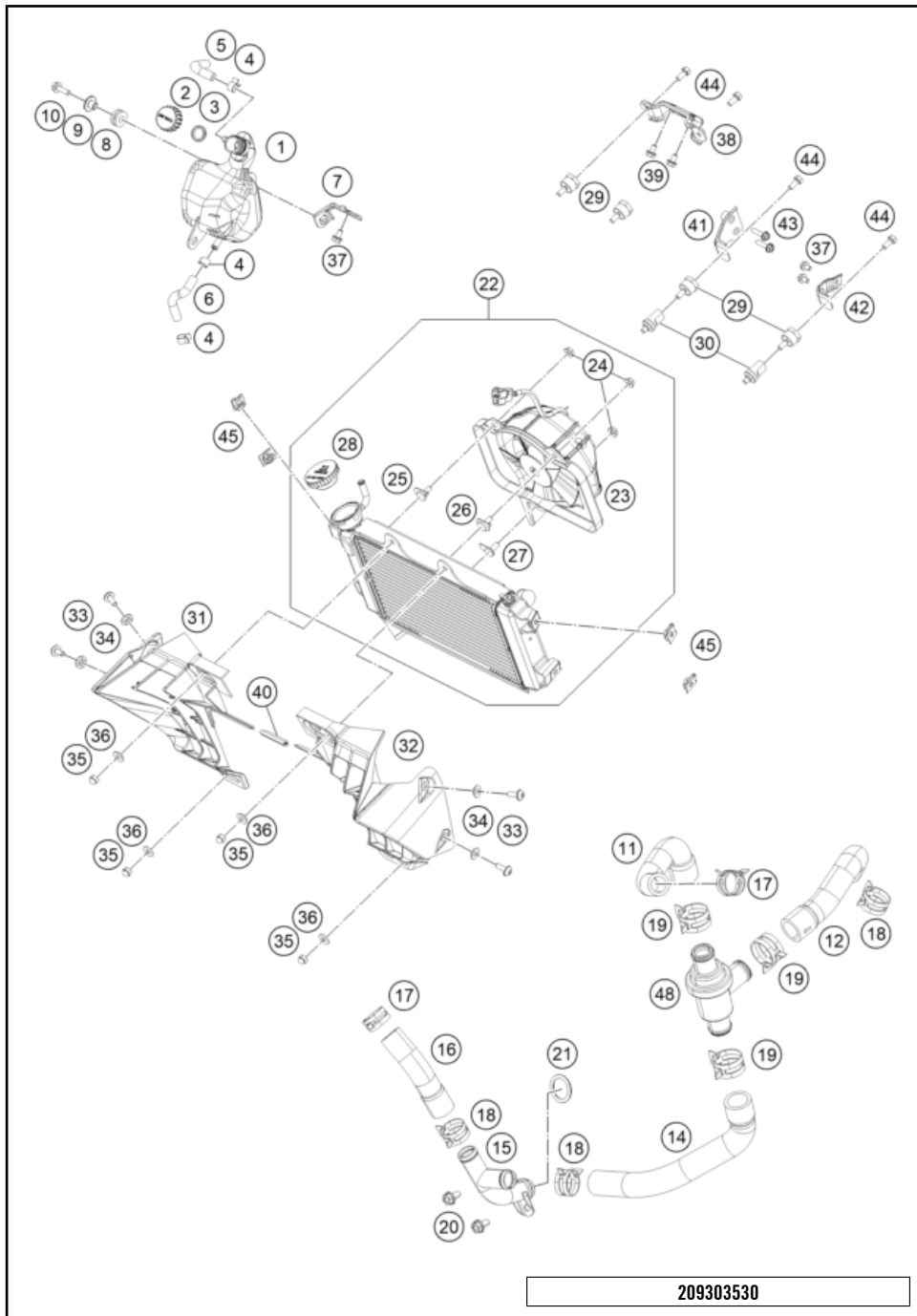
53863

* NEW PART

X ON DEMAND

COOLING SYSTEM

Motor 125 Duke 2022



209303530

POS	PARTNUMBER	PARTNAME	PIECE
1	93035065000	water compensation tank	1
2	90135066000	PLUG F. EXPANSION TANK	1
3	90102055000	COMPENSATING TANK O-RING	1
4	90107018011	CLAMP 10MM	3
5	90135067000	HOSE 6X10,5X80 MM	1
6	93035067000	Pre-formed hose	1
7	93035065050	Retaining bracket	1
8	93008028050	Rubber bushing	1
9	93035065030	distance sleeve	1
10	J025060203	HH COLLAR SCREW M6X20 SW10	1
11	93035026100	Radiator hose	1
12	93035028000	Radiator hose	1
14	94035026000	Pipe thermostat-joint t pcs.	1
15	90635071033	COOLANT PIPE T	1
16	90135024030	RADIATORHOSE RADI.-COOLL." T "	1
17	90135020000	HOSE CLAMP D23	1
18	90135020001	hose clamp D26	3
19	90135020003	HOSE CLAMP D28	3
20	J025060141	Hex collar screw M6X14	2
21	J770018530	O-RING 18,5X3	1
22	93035010333	Radiator cml. with fan	1
23	93035041033	Fan cpl.	1
24	90835041004	FLANGED NUT	3
25	90835041003	BRACKET FAN MOUNTING 3	1
26	90835041002	BRACKET FAN MOUNTING 2	1
27	90835041001	BRACKET FAN MOUNTING 1	1
28	90135016100	RADIATOR CAP	1
29	90135001001	silentbloc M6	4
30	93035033020	Spacer for radiator cover	2
31	93035035100	Radiator fairing right	1
32	93035034100	Radiator fairing left	1
33	90808043000	SPECIAL SCREW M6X1X16	4
34	93035033010	Washer	4
35	93035003000	Cap nut M6	4
36	93035044000	Washer 6.5x16x2	4
37	J025060103	HH COLLAR SCREW M6X10 SW10	3
38	93035004000	Support	1
39	J025060101	Hexagon screw M6X10	2

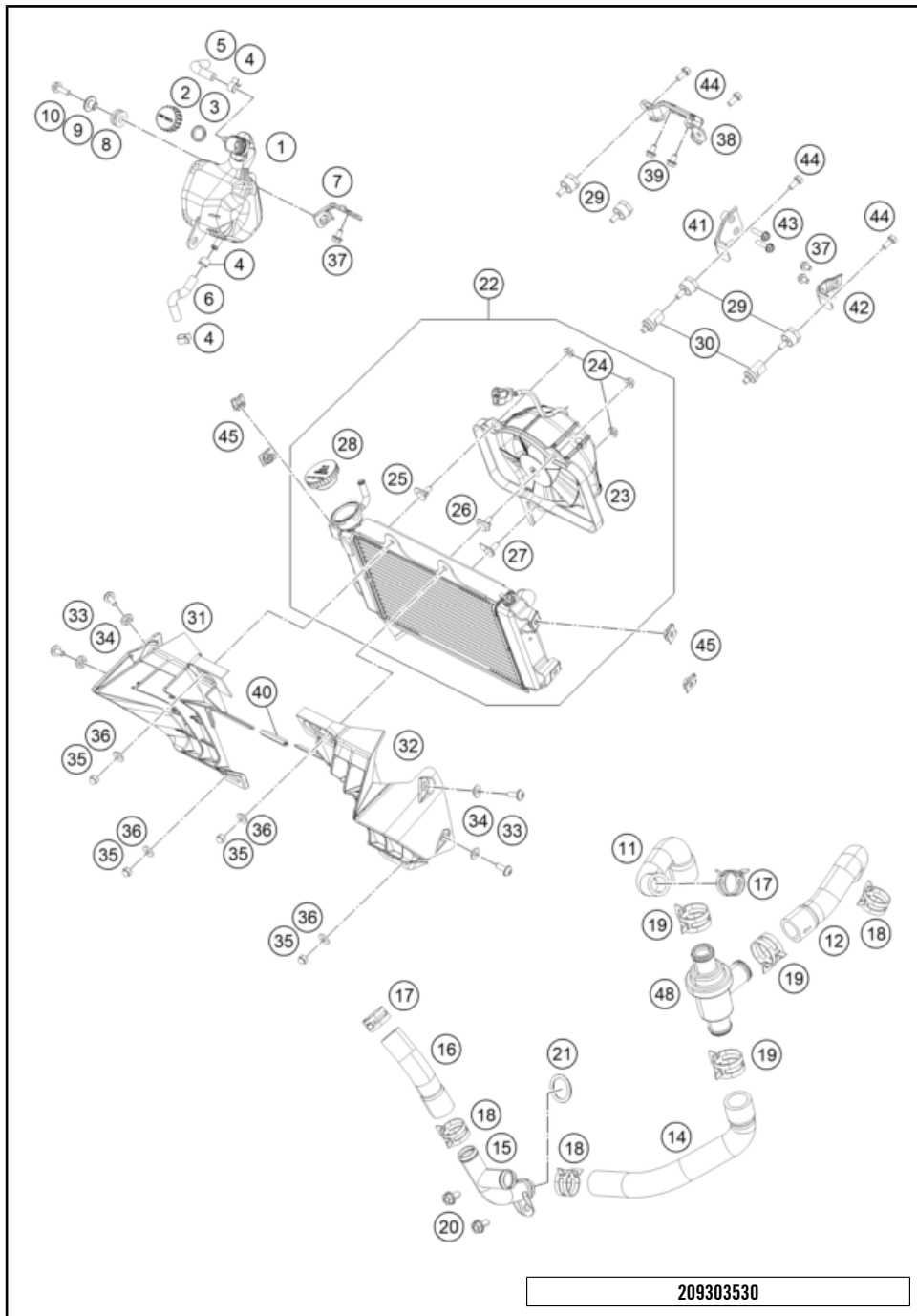
56054

* NEW PART

X ON DEMAND

COOLING SYSTEM

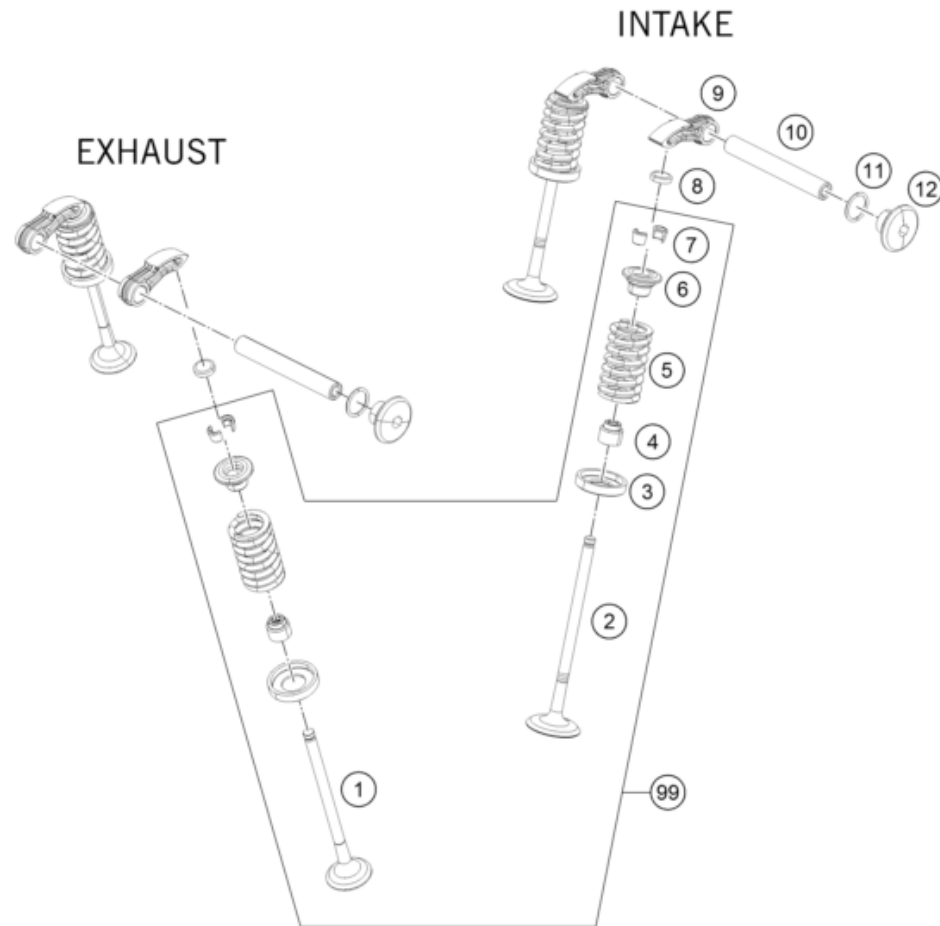
Motor 125 Duke 2022



POS	PARTNUMBER	PARTNAME	PIECE
40	93035009050	Flange	1
41	93035002000	Retaining bracket	1
42	90103005001	RADIATORSUPPORT L/S BELOW	1
43	J025060253	bolt flanged M6X25	2
44	J025060082	bolt-flanged-small	4
45	93008082010	Range change metal nut M6	4
48	90135017000	THERMOSTAT	1

56054

* NEW PART X ON DEMAND



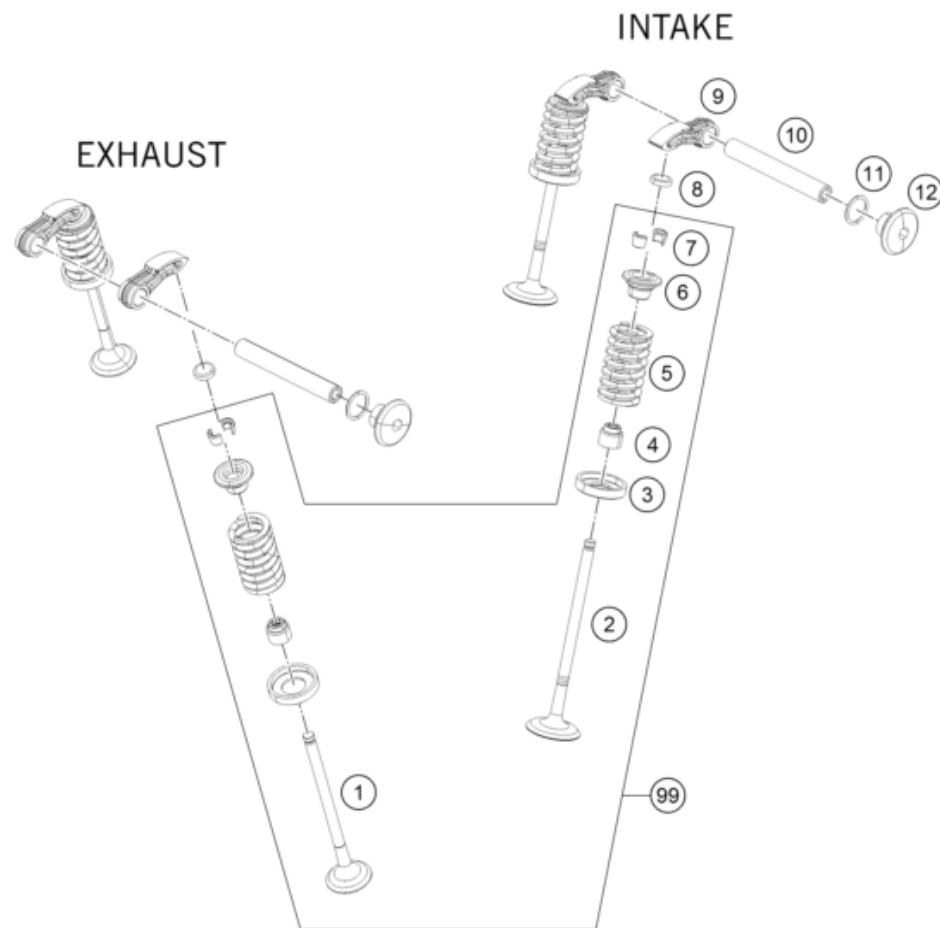
POS	PARTNUMBER	PARTNAME	PIECE
1	94036031000	Exhaust valve	2
2	90136030000	INTAKE VALVE	2
3	94036036000	SEAT SPRING VALVE	4
4	90136027000	VALVE-STEM SEALING	2
5	94036028000	SPRING VALVE	4
6	90136032000	VALVE SPRING RETAINER	4
7	90136033000	VALVE COLLET	8
8	90136035010	SHIM KIT 125/200 Duke	x
8	90136035200	SHIM D=8,7/2,00	x
8	90136035204	SHIM D=8,7/2,04	x
8	90136035208	SHIM D=8,7/2,04	x
8	90136035212	SHIM D=8,7/2,12	x
8	90136035216	SHIM D=8,7/2,16	x
8	90136035220	SHIM D=8,7/2,20	x
8	90136035224	SHIM D=8,7/2,24	x
8	90136035228	SHIM D=8,7/2,28	x
8	90136035232	SHIM D=8,7/2,32	x
8	90136035236	SHIM D=8,7/2,36	x
8	90136035240	SHIM D=8,7/2,40	x
8	90136035244	SHIM D=8,7/2,44	x
8	90136035248	SHIM D=8,7/2,48	x
8	90136035252	SHIM D=8,7/2,52	x
8	90136035256	SHIM D=8,7/2,56	x
8	90136035260	SHIM D=8,7/2,60	x
8	90136035264	SHIM D=8,7/2,64	x
8	90136035268	SHIM D=8,7/2,68	x
8	90136035272	SHIM D=8,7/2,72	x
8	90136035276	SHIM D=8,7/2,76	x
8	90136035280	SHIM D=8,7/2,80	x
8	90136035284	SHIM D=8,7/2,84	x
8	90136035288	SHIM D=8,7/2,88	x
8	90136035292	SHIM D=8,7/2,92	x
8	90136035296	SHIM D=8,7/2,96	x
8	90136035300	SHIM D=8,7/3,00	x
8	90136035304	SHIM D=8,7/3,04	x
9	90136060000	cam follower	4
10	90136056000	VALVE LEVER SHAFT	2
11	J770010312	O-RING 10,3X1,2 MM	2

119013610

56127

* NEW PART

X ON DEMAND



POS	PARTNUMBER	PARTNAME	PIECE
12	90136056001	SCREW PLUG	2
99	94036030010	Valve kit	x

119013610

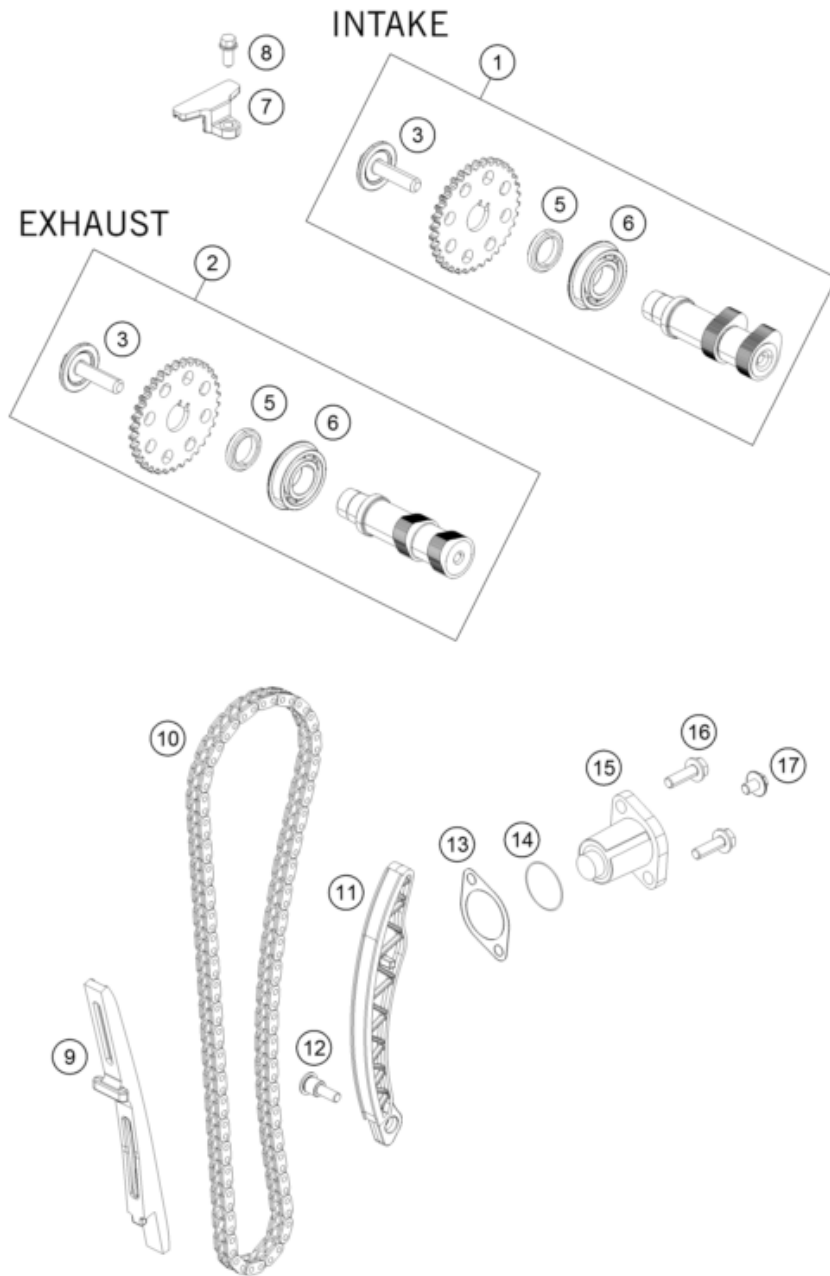
56127

* NEW PART

X ON DEMAND

TIMING DRIVE

Motor 125 Duke 2022



POS	PARTNUMBER	PARTNAME	PIECE
1	93536009033	Camshaft assembly intake	1
2	93536010033	Camshaft assembly exhaust	1
3	J912080323	Bolt socket-M8X1XL 32	2
5	90136009002	SPACER	2
6	90136009001	BALL BEAR.6003NR/C3D8 17X35X10	2
7	90136018000	GUIDE RAIL TOP	1
8	J025060142	HEX COLLAR SCREW M6X14 SW8	1
9	90136001000	TIMING CHAIN GUIDE	1
10	90136013000	TIMING CHAIN	1
11	90136002000	TENSIONER RAIL	1
12	90130004007	SPECIAL SCREW 6X14,9	1
13	90136003003	GASKET CHAIN ADJUSTER	1
14	J770010015	O-RING 10,15X1,5	1
15	90136003000	CHAIN ADJUSTER	1
16	J025060204	Hex collar screw M6X20	2
17	90136003002	SPECIAL SCREW 6X6	1

139013620

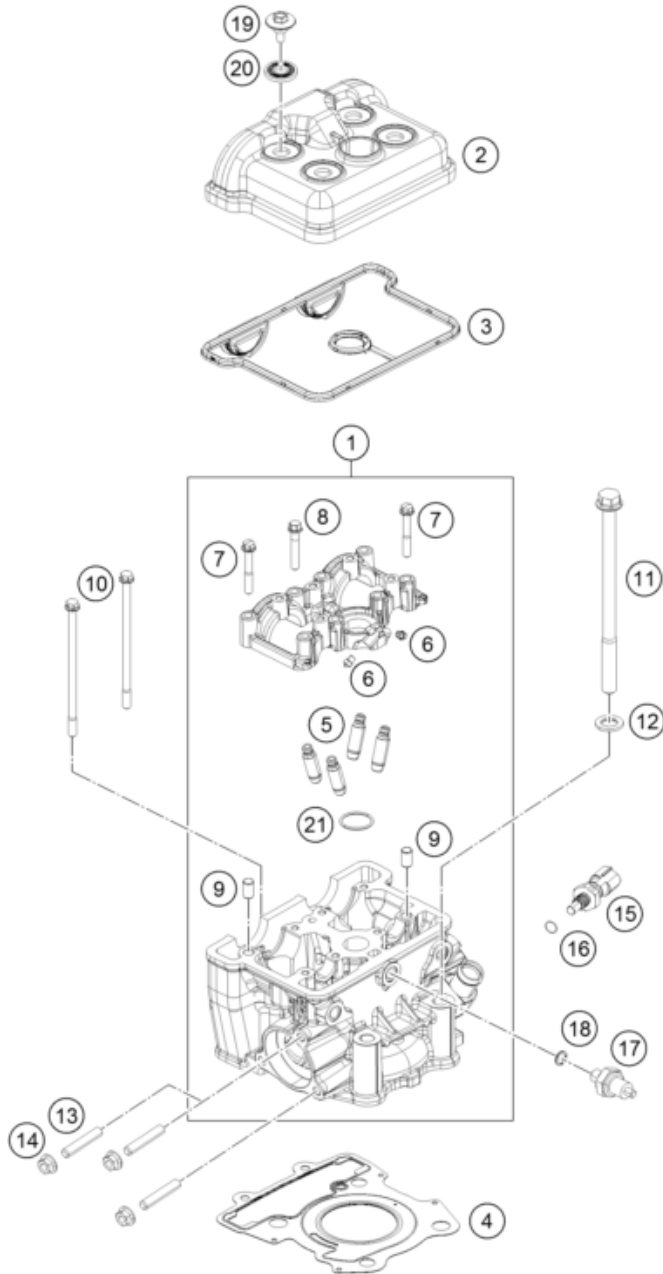
18456

* NEW PART

X ON DEMAND

CYLINDER HEAD

Motor 125 Duke 2022



POS	PARTNUMBER	PARTNAME	PIECE
1	90136020190	CYLINDER HEAD WITH CAMHOLDER	1
2	93336052001	Valve mechanism cover	1
3	93536053000	Valve cover gasket	1
4	90130036000	CYLINDER HEAD GASKET	1
5	90136025000	VALVE GUIDE	4
6	90130064000	OIL JET	4
7	J025060402	HH-COLLAR SCREW M6X40 WS10	2
8	J025060352	bolt-flanged-small	6
9	90130024000	PIN DOWEL 8X6,4X14MM	2
10	90136020005	COLLAR SCREW M6	2
11	90136020003	HH COLLAR SCREW 10X147,5	4
12	90130080000	WASHER 11,2X20X2	4
13	90136020001	STUD M8	3
14	90136038000	FLANGED NUT M8 H7,5 WS12	3
15	90135047000	TEMPERATURE SENSOR	1
16	90135047001	O-RING	1
17	90138091000	OIL PRESSURE SENSOR	1
18	90138091001	O-RING	1
19	90136052020	VALVE COVER SCREW	4
20	90136052010	DECOUPLING ELEMENT	4
21	J770023019	O-RING 23,7X1,9	1

179013630

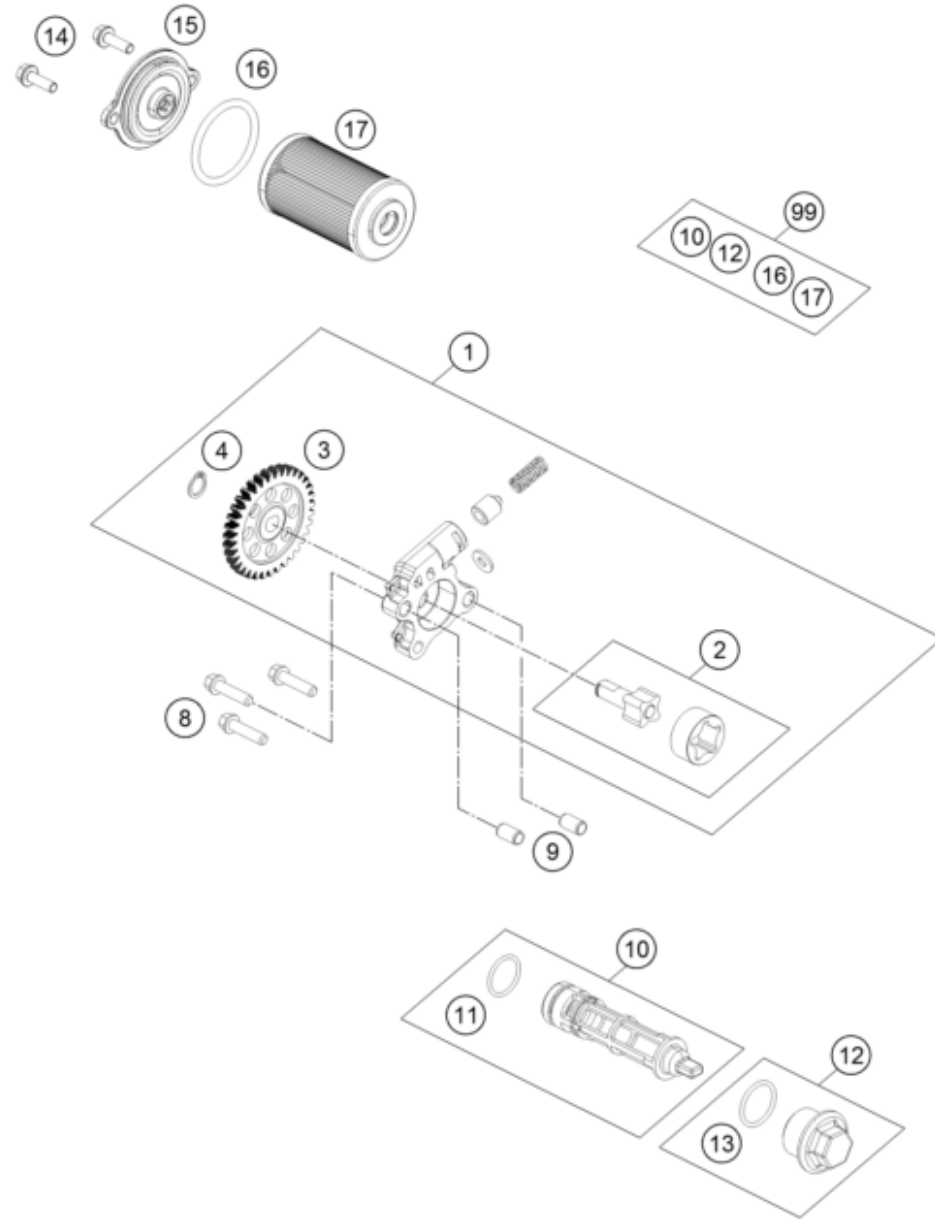
53864

* NEW PART

X ON DEMAND

LUBRICATING SYSTEM

Motor 125 Duke 2022



POS	PARTNUMBER	PARTNAME	PIECE
1	90138007133	OIL PUMP ASSY	1
2	90138002044	OIL PUMP SHAFT CPL.	1
3	90138001000	OIL PUMP GEAR	1
4	J471010100	Seeger ring 10X1,0	1
8	J028060303S	HH COLLAR SCREW M6X30 WS8	3
9	90130024000	PIN DOWEL 8X6,4X14MM	2
10	90238015033	MESH STRAINER CPL.	1
11	J770017721	O-RING 17,7X2,1 MM	1
12	90138015050	CLOSURE CAP OIL SCREEN	1
13	90138015052	O-RING	1
14	J025060161	Hex collar screw M6X16	2
15	90138006000	OIL FILTER CAP	1
16	J770039326	O-RING 39,34X2,62	1
17	90138015000	OIL FILTER	1
99	90138015010	OILFILTER SERVICE KIT 125 DUKE	x

119013810

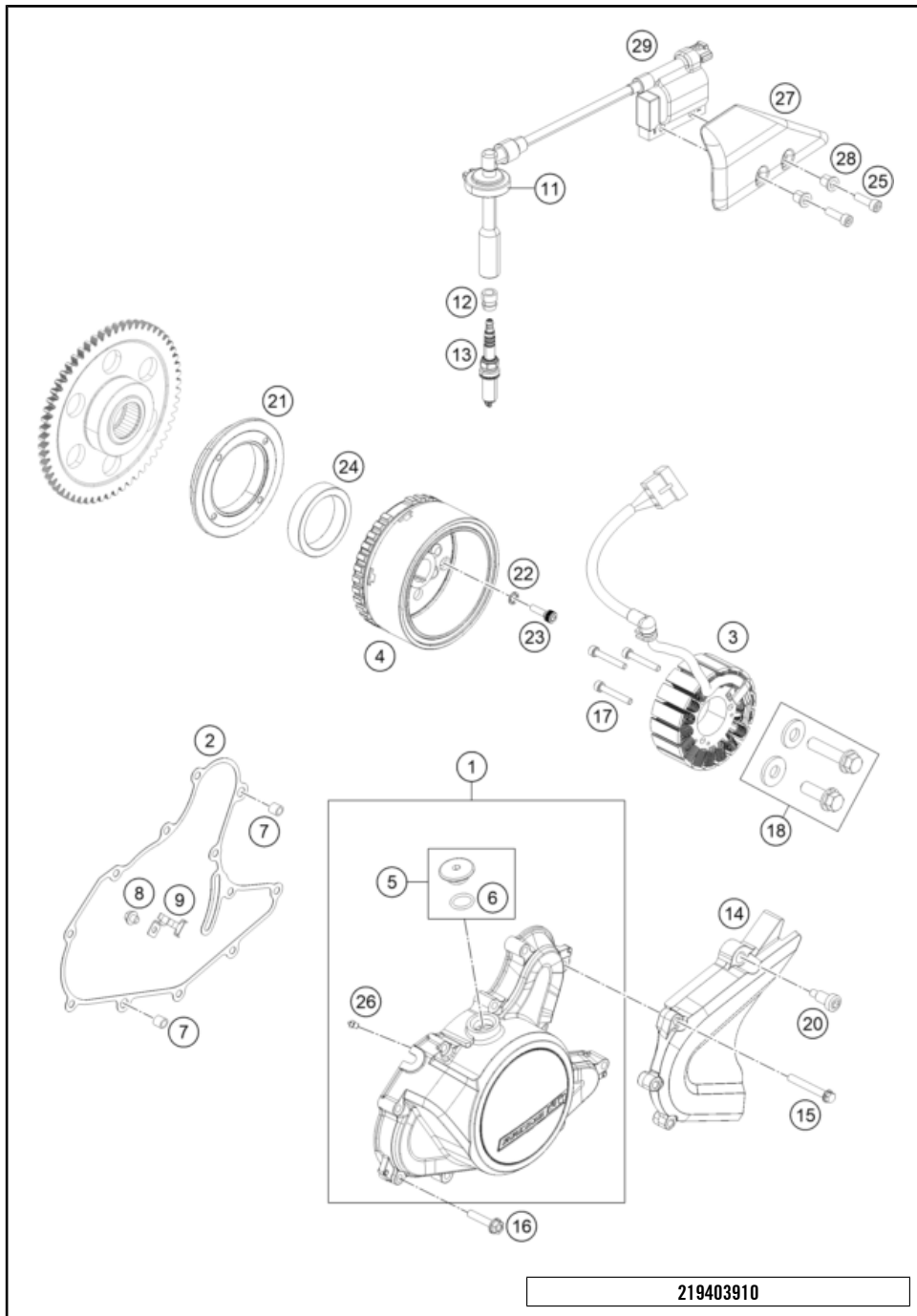
50905

* NEW PART

X ON DEMAND

IGNITION SYSTEM

Motor 125 Duke 2022



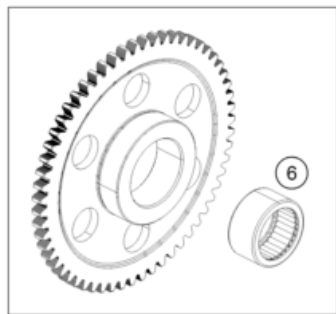
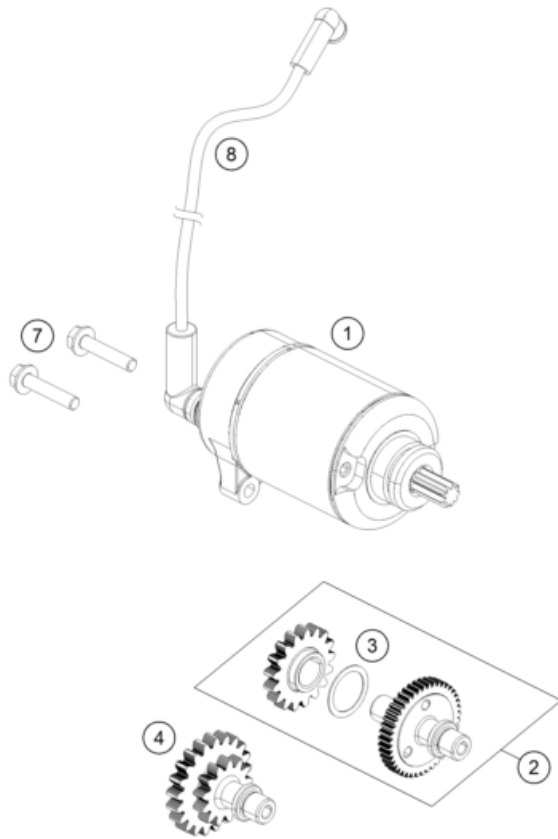
POS	PARTNUMBER	PARTNAME	PIECE
1	94130002233	COVER ASSEMBLY MAGNETO	1
2	93530040100	Ignition cover gasket	1
3	93639004000	Stator lose	1
4	90539005000	ROTOR CPL.	1
5	90130002010	PLUG INCL. O-RING	1
6	J770015824	O-RING 15,8X2,4	1
7	90130024000	PIN DOWEL 8X6,4X14MM	2
8	J025050081	Hex collar screw M5X8	1
9	90139004002	BRACKET F. STATORCABLE	1
11	90139090001	GASKET SPARK PLUG CONNECT.	1
12	93839091000	Sealing boot spark plug	1
13	93839093000	Spark plug BOSCH VR6NEU M12X1.25	1
14	90103096000	CHAIN SPROCKET GUARD	1
15	J025060451	HH COLLAR SCREW M6X45	3
16	J025060301	HH COLLAR SCREW M6X30	9
17	J912050353S	AH SCREW M5X35 SELF LOCKING	3
18	90130018044	SCREW DRIVE GEAR KIT	1
20	90104060010	special screw M6x24 WS6	1
21	90130001000	SUPPORT FREEWHEEL CLUTCH	1
22	J797060003	TOOTHED WASHER M6	4
23	90130001001	SOCKET HEAD SCREW M6X20	4
24	90140026000	FREEWHEEL CLUTCH	1
25	J912060353	Hexagon screw M6X35	2
26	90130164000	OIL NOZZLE	1
27	93039010000	cover ignition coil	1
28	93039011000	sleeve cover ignition coil	2
29	93039006033	coil assembly ignition	1

219403910

56055

* NEW PART

X ON DEMAND



ACHTUNG !!! CAUTION !!!
 FOR ROTOR 90139005000 Ø49mm USE FREEWHEEL 90140020000
 FOR ROTOR 90139005100 Ø45mm USE FREEWHEEL 90640020000

POS	PARTNUMBER	PARTNAME	PIECE
1	90140001000	E-STARTER ENGINE CPL.	1
2	90140023033	TORQUE LIMITER CPL.	1
3	90140023045	SHIM 0,45 MM	x
3	90140023060	SHIM 0,6 MM	1
3	90140023075	SHIM 0,75 MM	x
3	90140023090	SHIM 0,9 MM	x
4	90140022000	INTERMEDIATE STARTING GEAR	1
5	90640020000	FREEWHEEL GEAR CPL.	1
6	J618253216	NEEDLE ROLLER BEARING HK2516	1
7	J025060256	HH COLLAR SCREW M6X25 SW10	2
8	90111059000	STARTER CABLE	1

119014010

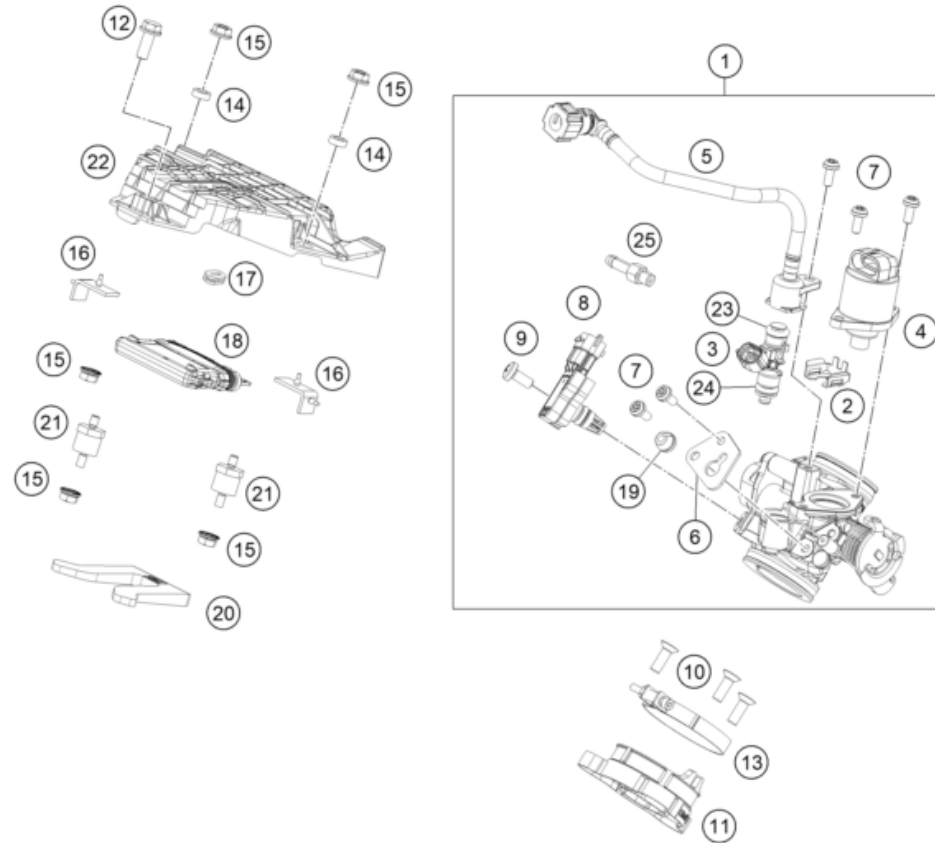
11079

* NEW PART

X ON DEMAND

THROTTLE BODY

Motor 125 Duke 2022



POS	PARTNUMBER	PARTNAME	PIECE
1	28241001133	Throttle body compl.	1
2	90141001001	INJECTOR CLIP	1
3	93541023000	Injector	1
4	90641072000	IDLE ADJUSTER	1
5	93141013000	Injector upper part with hose complete	1
6	93241023002	Cable bracket	1
7	90141023005	SPECIAL SCREW M5X12	5
8	93041085000	Pressure sensor	1
9	90141071001	SPECIAL SCREW M6X14	1
10	J991060203S	COUNTERSUNK SCREW M6X20	2
11	90141002000	CONN. FLANGE CYLINDER-THR.BODY	1
12	J933060146	Hexagonal bolt M6x14	1
13	90641002010	CLAMP	1
14	93041029020	Sleeve	2
15	J926060000	FLANGED NUT M6 WS10 SELF LOCK.	5
16	93841036000	rubber band, ECU	2
17	93541034000	DAMPER ECU	1
18	28141031000R	ECU	1
19	90141023003	GROMMET	1
20	93041030100	Rubber cowl pad	1
21	93011038000	Bump rubber ECU support	2
22	93041029000	Control unit bracket	1
23	55641023020	O-ring	1
24	55641023010	O-ring	1
25	28241038000	NOZZLE EVAP	1

219404110

56056

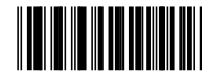
* NEW PART

X ON DEMAND

A large, empty rectangular box with a thin black border, occupying the majority of the page. It is intended for the user to write their notes.

A large, empty rectangular box with a thin black border, occupying the majority of the page. It is intended for the user to write their notes.

KTM.COM



081200VEN

KTM Sportmotorcycle GmbH
5230 Mattighofen, Austria
www.ktm.com

KTM POWERPARTS

KTM POWERWEAR

KTM ORIGINAL SPARE PARTS

