

Engine 390 Duke 2024

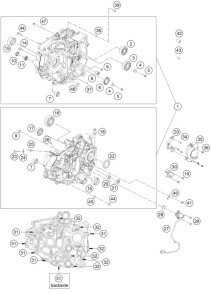
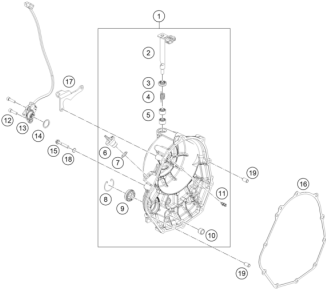
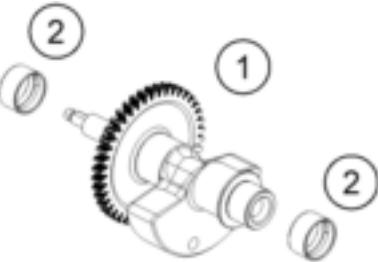
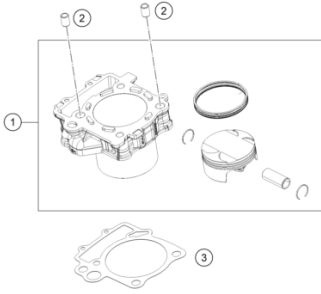
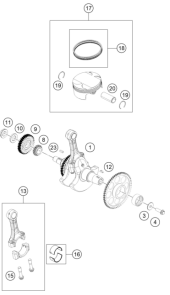
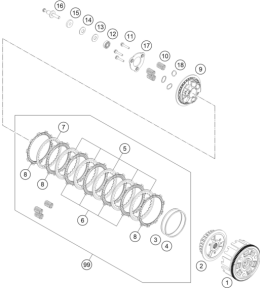
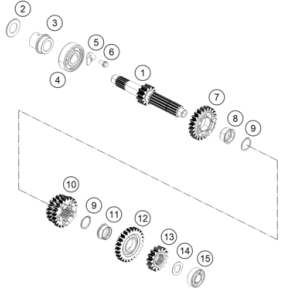
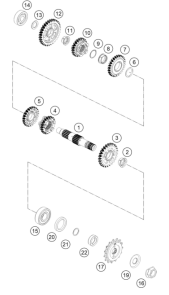
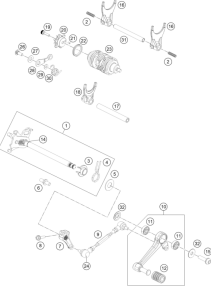
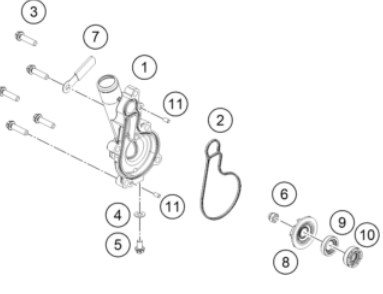
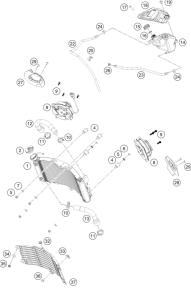
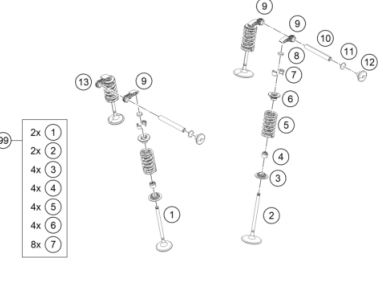
ART.-NR.: 081370XEN



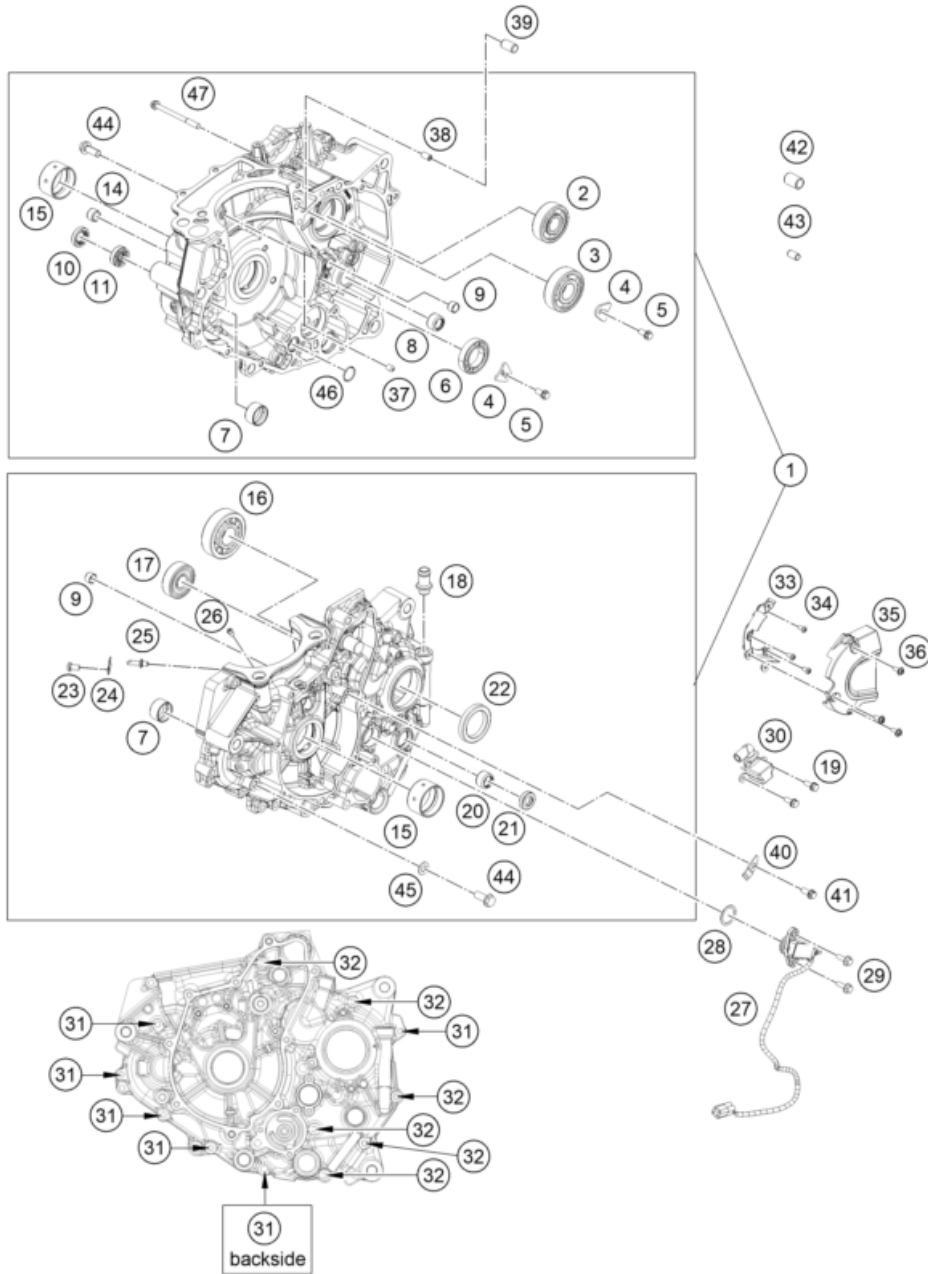


All information contained is without obligation. KTM Sportmotorcycle GmbH particularly reserves the right to modify any equipment, technical specifications, prices, colors, shapes, materials, services, service work, constructions, equipment and the like so as to adapt them to local conditions or to cancel any of the above items, all without previous announcement and without giving reasons. KTM may stop manufacturing certain models without previous notice. KTM shall not be held liable for any deviations of availability and/or ability to deliver, illustrations, descriptions, printing and/or other errors. The illustrated models partly contain extra equipment, which is not applied to standard models.

© by KTM Sportmotorcycle GmbH, Mattighofen AUSTRIA; All rights reserved; Reprint, also in extracts, with written allowance of KTM Sportmotorcycle GmbH, Mattighofen only.

<p>ENGINE CASE</p>  <p style="text-align: right;">3</p>	<p>CLUTCH COVER</p>  <p style="text-align: right;">5</p>	<p>BALANCER SHAFT</p>  <p style="text-align: right;">6</p>	<p>CYLINDER</p>  <p style="text-align: right;">7</p>
<p>CRANKSHAFT, PISTON</p>  <p style="text-align: right;">8</p>	<p>CLUTCH</p>  <p style="text-align: right;">9</p>	<p>TRANSMISSION I - MAIN SHAFT</p>  <p style="text-align: right;">10</p>	<p>TRANSMISSION II - COUNTERSHAFT</p>  <p style="text-align: right;">11</p>
<p>SHIFTING MECHANISM</p>  <p style="text-align: right;">12</p>	<p>WATER PUMP</p>  <p style="text-align: right;">13</p>	<p>COOLING SYSTEM</p>  <p style="text-align: right;">14</p>	<p>VALVE DRIVE</p>  <p style="text-align: right;">15</p>

<p>TIMING DRIVE</p> <p>17</p>	<p>CYLINDER HEAD</p> <p>18</p>	<p>LUBRICATING SYSTEM</p> <p>19</p>	<p>IGNITION SYSTEM</p> <p>20</p>
<p>ELECTRIC STARTER</p> <p>21</p>	<p>THROTTLE BODY</p> <p>22</p>		



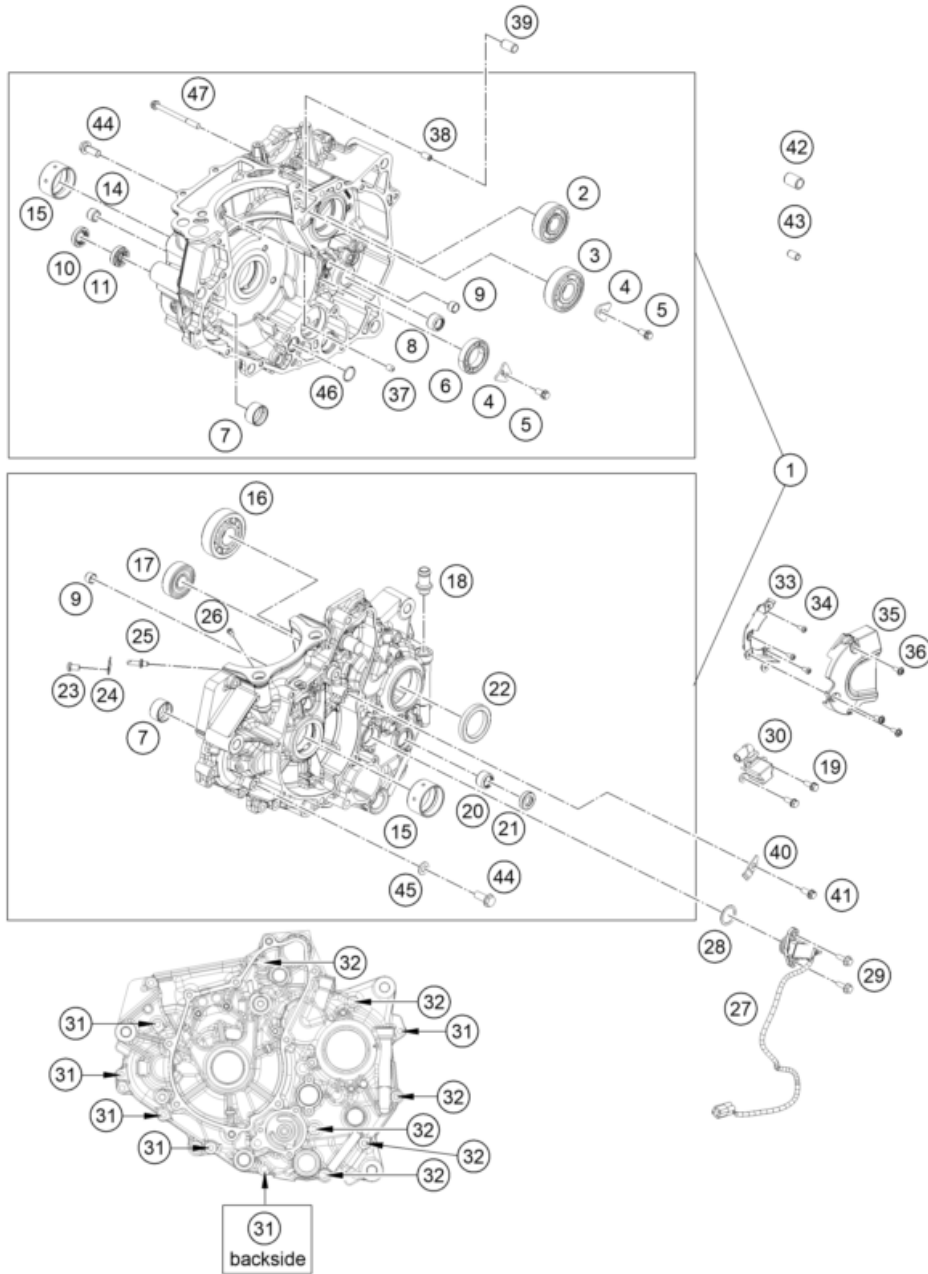
POS	PARTNUMBER		PIECE
1	9633000304424	Motorgehäuse kpl.	1
2	J410001701401	Grooved ball bearing 6303	1
3	J625063040	DEEP GROOVE BALL BEARING 6304	1
4	90230079000	STOPPER BALANCER SHAFT BEARING	2
5	J01665060123S	Hex collar screw, M6x12	2
6	90130004004	Bearing ball	1
7	J440002201300	bush bimetallic	2
8	J618131912	NEEDLE ROLLER BEARING HK1312	1
9	90234030000	BUSH SHIFT RAIL	2
10	J760122455	SHAFT SEALING RING 12X24X5,5	1
11	0760122406	Shaft seal ring 12x24x6	1
14	90240018000	BUSH STARTER SHAFT	1
15	90230084000	HAUPTLAGER	2
16	J400002201600	bearing roller	1
17	J410001501300	bearing ball id15xod42xt13xc3l	1
18	90230022000	Pipe breather	1
19	J011050133	HH COLLAR SCREW M5X13 SW8	2
20	J618131912	NEEDLE ROLLER BEARING HK1312	1
21	90130003004	Seal - oil	1
22	J760003447000	Seal Oil	1
23	0738060101S	Oval head screw M6X10 precoat	1
24	96330066000	Oil spray jet retaining bracket	1
25	96330064000	NOZZLE JET OIL	1
26	90130164000	OIL NOZZLE	1
27	96311023000	Gear position sensor	1
28	J770002024000	O RING	1
29	J025050163S	FLANGED BOLT M5X16	2
30	96339034000	Crankshaft position sensor	1
31	J025060350	FLANGED BOLT M6X35 WS8	6
32	J900000607002	bolt flanged M6x70	6
33	96330047000	Chain guard	1
34	J005060123S	SCREW PAN CROSS M6X12 PH SS	3
35	96303096000	Front sprocket cover	1
36	J900000601607	SCREW SOCKET M6X1	3
37	90238029003	OIL NOZZLE	1
38	90230066300	OIL NOZZLE	1
39	90130024000	PIN DOWEL 8X6,4X14MM	1
40	96340020010	Freewheel gear bracket	1

249633010

67114

* NEW PART

X ON DEMAND



POS	PARTNUMBER		PIECE
41	J025060141	Hex collar screw M6X14	1
42	90130003007	DOWEL D14	3
43	90130024000	PIN DOWEL 8X6,4X14MM	2
44	J011080203S	FLANGED BOLT M8X20	2
45	J690000815000	Washer 8.2x15.5x1.5	1
46	J780001515000	O-ring	1
47	J900000607003	bolt flanged M6x1	4

249633010

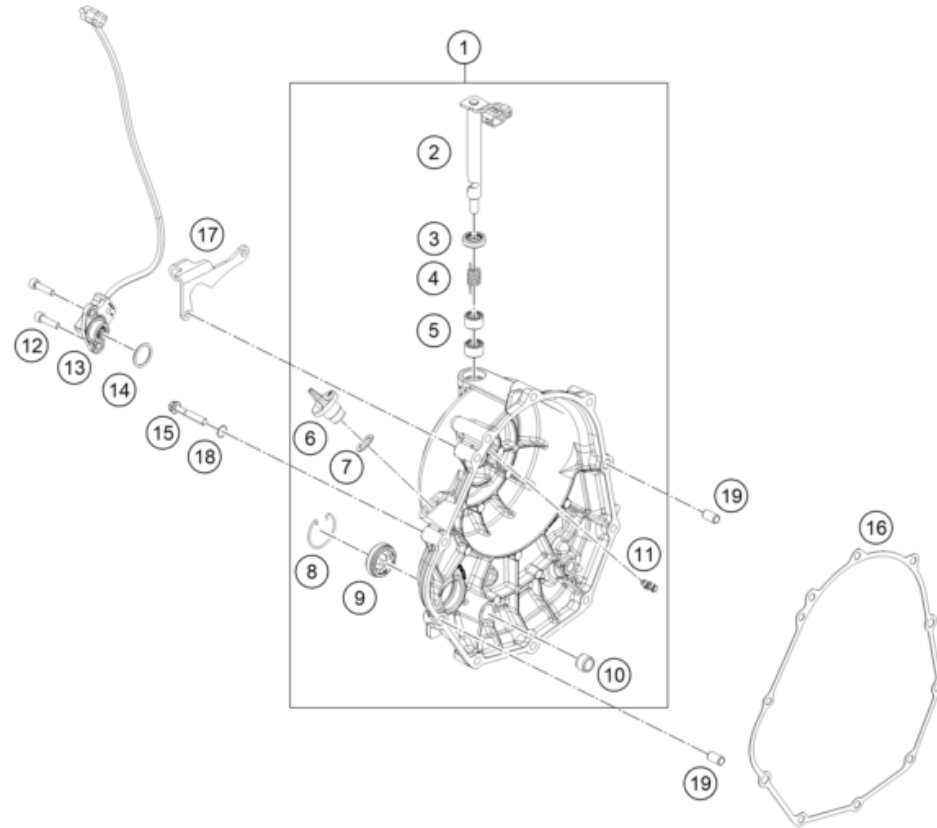
67114

* NEW PART

X ON DEMAND

CLUTCH COVER

Engine 390 Duke 2024



POS	PARTNUMBER		PIECE
1	52JP1809	Dummy_SPC_Bajajteil COVER CLUTCH	1
2	96332048033	SHAFT ASSEMBLY CLUTCH	1
3	90132051000	OIL SEAL RING	1
4	J520000800100	SPRING TORSION	1
5	90132050000	needle bearing	2
6	90130020100	Oil plug	1
7	J770001424000	O-ring 14x2,4	1
8	J710003315000	CIRCLIP	1
9	96330095000	WINDOW GAUGE OIL	1
10	90240018000	BUSH STARTER SHAFT	1
11	90130064000	OIL JET	2
12	J025050143	bolt fl-m5x0.8x14xdacroxprecoat	2
13	94334051000	Shift shaft sensor	1
14	J770017721	O-RING 17,7X2,1 MM	1
15	J025060350	FLANGED BOLT M6X35 WS8	10
16	96330027000	gasket cover clutch	1
17	96302090010	Clutch cable wire retaining bracket	1
18	J603061001	COPPER GASKET	1
19	90130024000	PIN DOWEL 8X6,4X14MM	2

249633020

68262

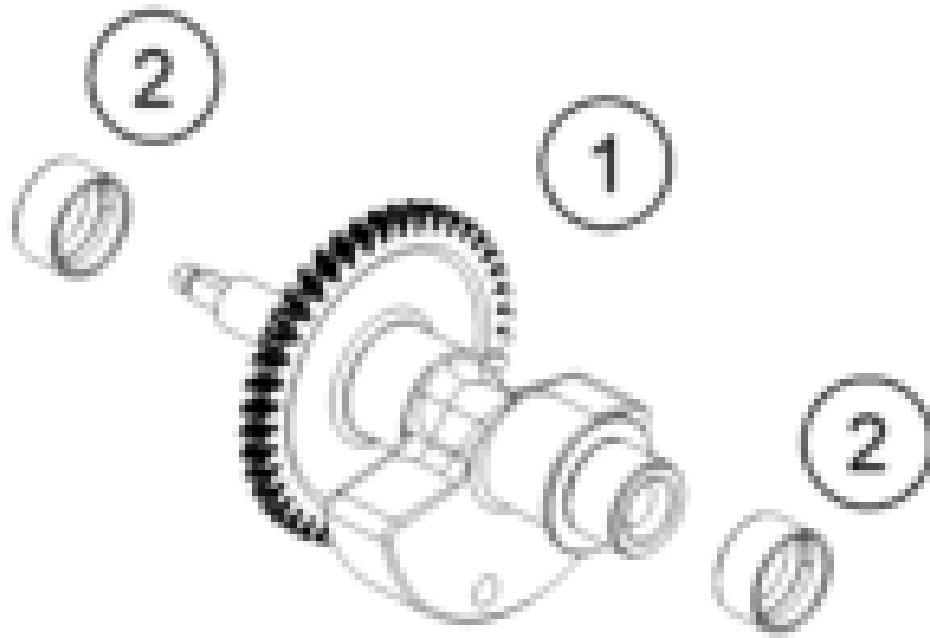
* NEW PART

X ON DEMAND

BALANCER SHAFT

Engine 390 Duke 2024

POS	PARTNUMBER		PIECE
1	96330057033	balancer assembly	1
2	J440002201300	bush bimetallic	2



249633030

68311

* NEW PART

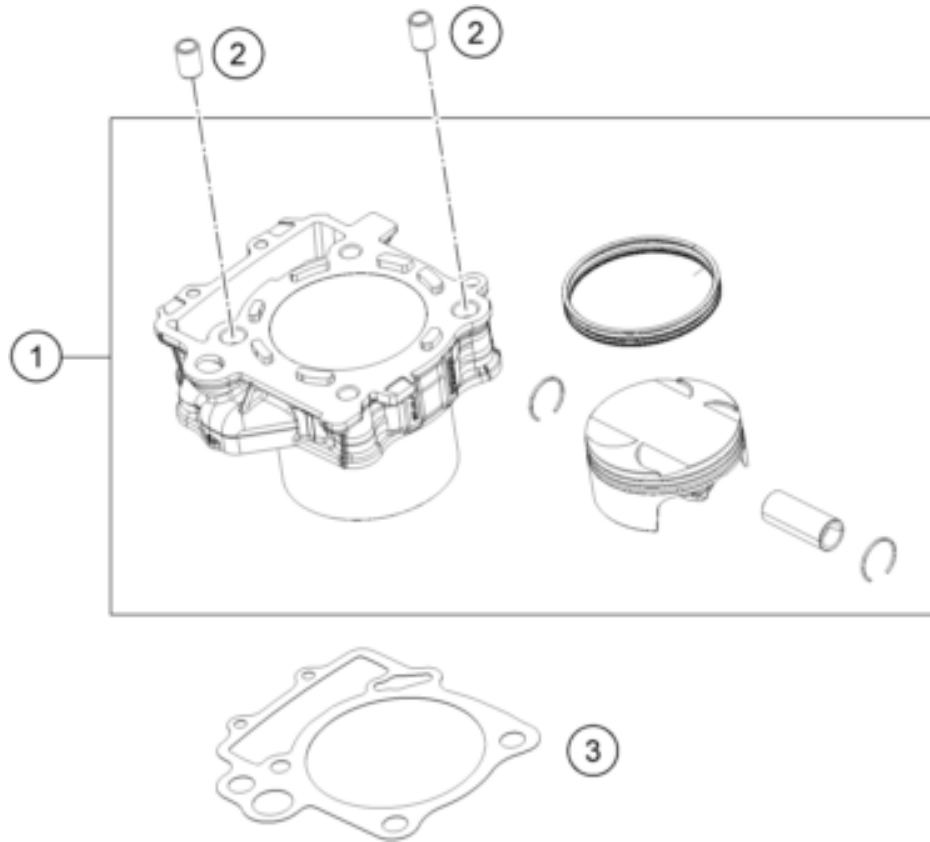
X ON DEMAND

ENGINE 6

CYLINDER

Engine 390 Duke 2024

POS	PARTNUMBER		PIECE
1	96330038000	Cylinder + Piston cpl.	1
2	90130003007	DOWEL D14	2
3	96330035050	gasket block cylinder	1



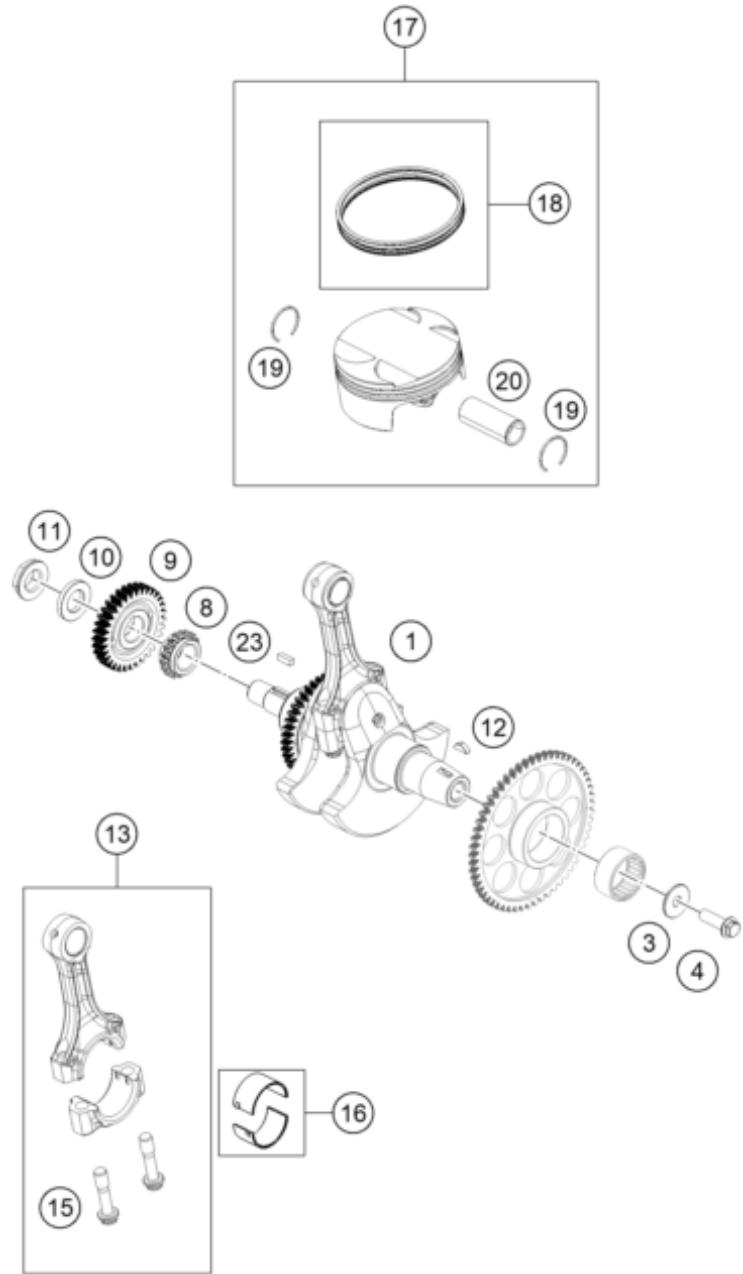
249633040

68313

* NEW PART

X ON DEMAND

ENGINE 7



POS	PARTNUMBER		PIECE
1	96330018033	ASSEMBLY CRANKSHAFT	1
3	J690001260000	WASHER PLAIN-ID 12.3XOD 31XT 6	1
4	J900001205000	Banjo bolt M12x1.5	1
8	90236014000	SPROCKET CRANKSHAFT	1
9	96332023033	Primary gear 33 teeth	1
10	J690001640000	Washer 16.2x29.5x4	1
11	90230029000	NUT M16X1,5	1
12	J950001300400	KEY WOODRUFF	1
13	96330015033	CONROD ASSEMBLY	1
15	J900000903800	Special screw M9x1x38	2
16	90230015010	CONROD BEARING SHELL	1
16	90230015011	CONROD BEARING SHELL (GREEN)	x
16	90230015012	CONROD BEARING SHELL (BLUE)	x
17	90230007200	PISTON D89	1
18	90230030010	PISTON RINGS CPL.	1
19	90230074000	RING SNAP	2
20	90230033000	PISTON PIN	1
23	J888040150	Woodruff key 4X4X12	1

249633060

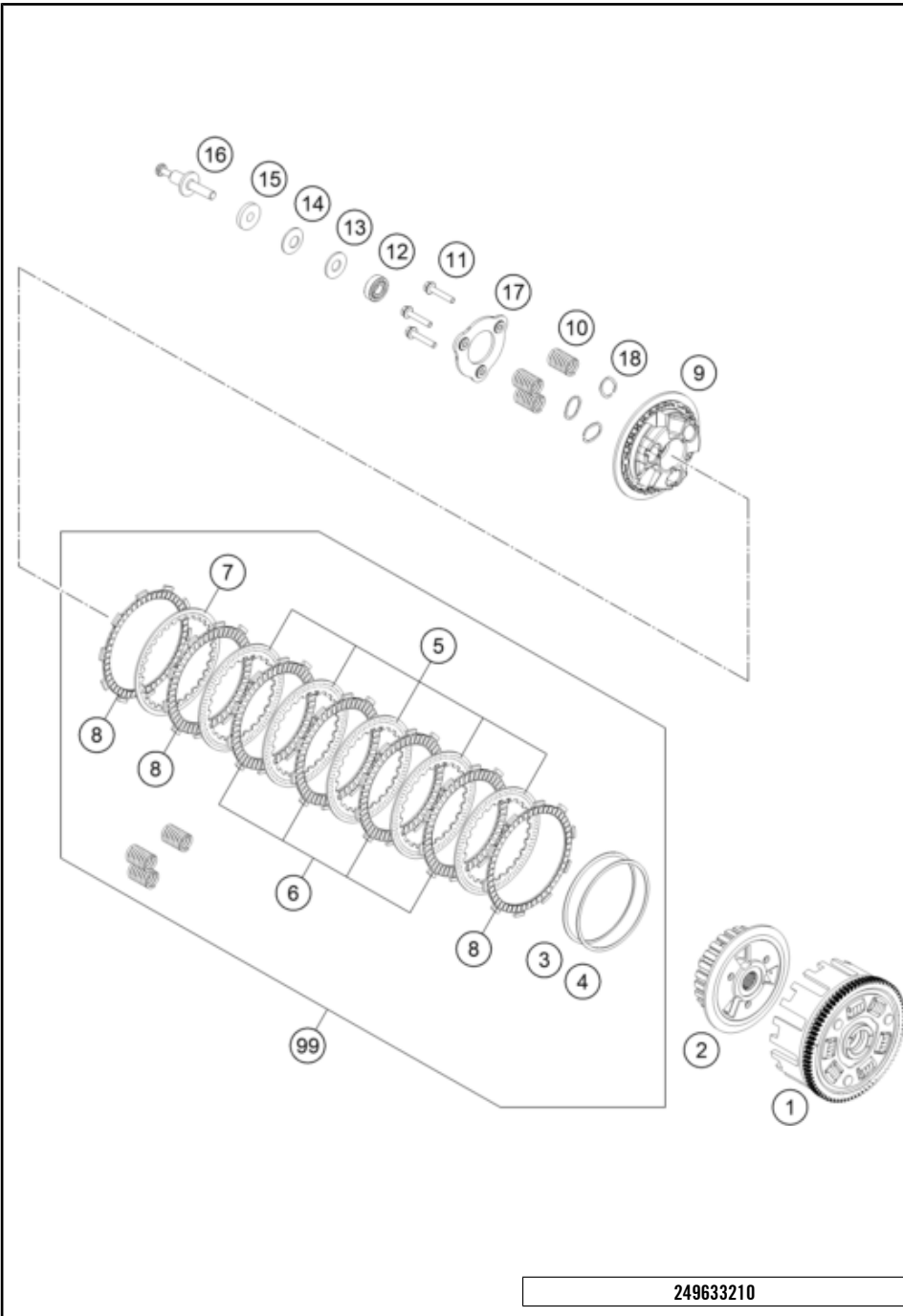
68301

* NEW PART

X ON DEMAND

CLUTCH

Engine 390 Duke 2024



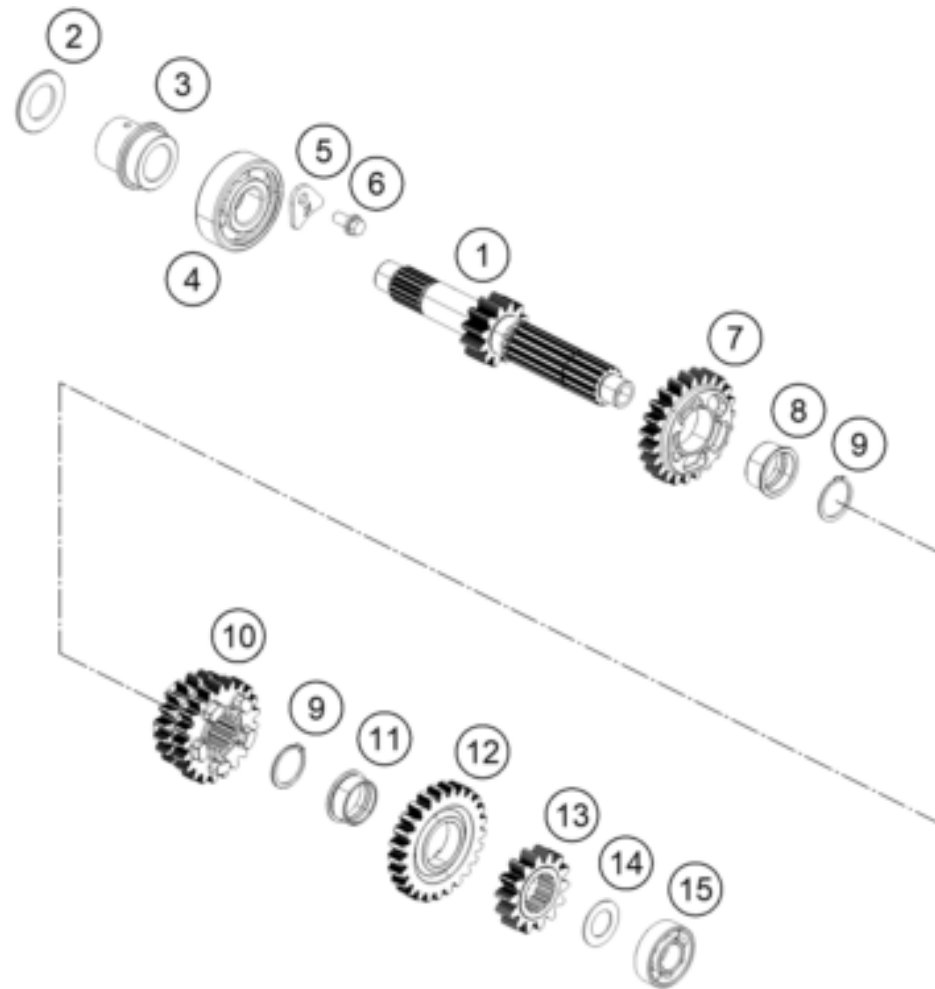
POS	PARTNUMBER		PIECE
1	JP551404	Dummy_SPC_Bajajteil HOUSING ASSEMBLY CLUTCH	1
2	90232102000	INNER CLUTCH HUB	1
3	90232134000	JUDDER SPRING	1
4	90232135000	SEAT JUDDER SPRING	1
5	90232010100	INTERMEDI. DISC A	5
6	90232011000	LINING DISC	4
7	90232110000	INTERMEDI. DISC B	1
8	90232211000	LINING DISC TURNED OFF	3
9	90232103000	PRESSURE PLATE	1
10	161-48G54A-00	Dummy_SPC_Bajajteil no bal part nr yet	3
11	90232101101	HH COLLAR SCREW M6X35	3
12	J625069020	BALL BEARING 6902 15X28X7	1
13	90232017000	SHIM	1
14	90236015001	SPECIAL WASHER	1
15	90232019000	NUT F. CLUTCH	1
16	96332049000	rod pull	1
17	90232006000	STOPPER PLATE	1
18	90232004000	SPRING SEAT	3

249633210

68283

* NEW PART

X ON DEMAND



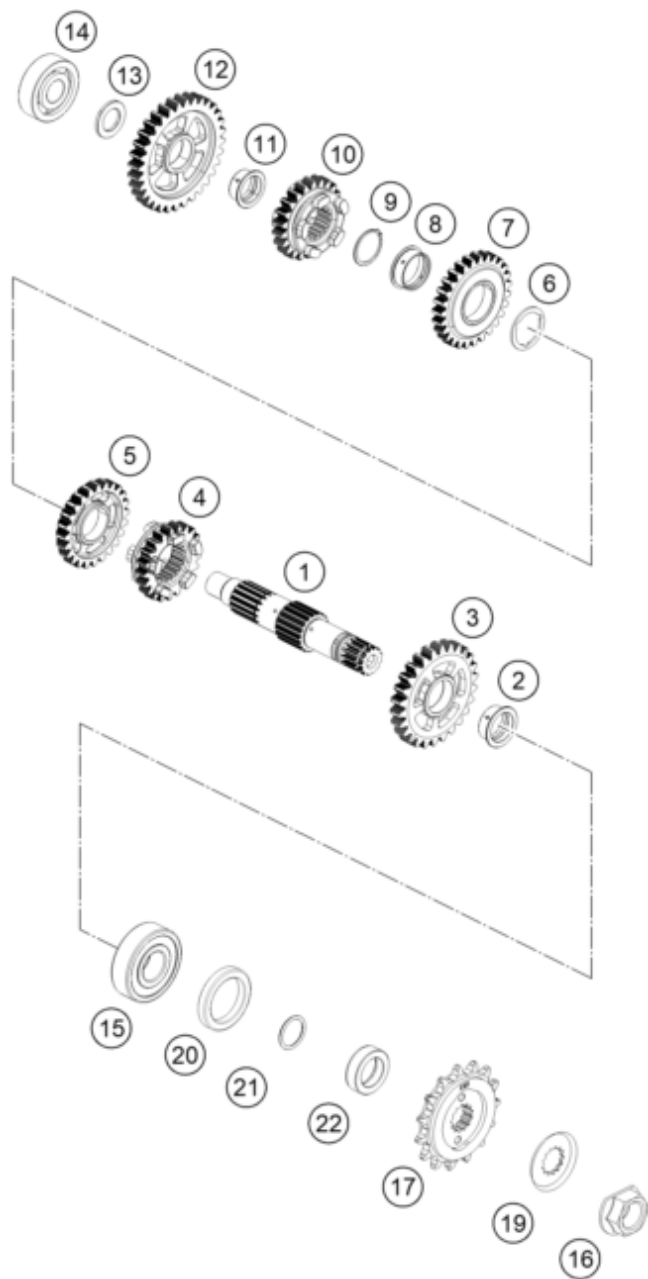
POS	PARTNUMBER		PIECE
1	96333001000	Main shaft	1
2	90232020000	WASHER	1
3	J800002003300	COLLAR	1
4	J625063040	DEEP GROOVE BALL BEARING 6304	1
5	90230079000	STOPPER BALANCER SHAFT BEARING	1
6	J01665060123S	Hex collar screw, M6x12	1
7	96333005000	Countershaft gear 5 gear	1
8	96333015010	Collar bushing 5 Gear countershaft	1
9	J471020123	CIRCLIP 20,5X1,2	2
10	96333003000	Drive gear 3/4 gear	1
11	J800002201300	Collar bushing 22x13.3x29.6	1
12	JP551204	Dummy_SPC_Bajajteil GEAR SIXTH DRIVE	1
13	90233002000	GEAR 2ND DRIVE	1
14	90233036000	WASHER TRUST 2ND DRIVE	1
15	J410001501300	bearing ball id15xod42xt13xc3l	1

249633330

68309

* NEW PART

X ON DEMAND



249633360

POS	PARTNUMBER		PIECE
1	96333010033	Countershaft compl.	1
2	96333012010	bush second driven	1
3	96333012000	Countershaft gear 2 gear	1
4	96333016000	Countershaft gear 6 gear	1
5	96333014000	Countershaft gear 4 gear	1
6	J690002500100	Spacer disc 25.2x1.4	1
7	96333013000	Countershaft gear 3 gear	1
8	96333013010	Collar bushing 3 Gear countershaft	1
9	J472023120	CIRCLIP 23,5X1,2	1
10	96333015000	Countershaft gear 5 gear	1
11	90233011001	COLLAR BUSH	1
12	90233011000	GEAR 1ST DRIVEN	1
13	J690001715000	Washer 17.2x28x1.5	1
14	J410001701401	Grooved ball bearing 6303	1
15	J400002201600	bearing roller	1
16	J910001801300	Collar nut M18x1.5	1
17	91233029014	Sprocket 14T	1
19	96333028000	Front sprocket washer	1
20	J760003447000	Seal Oil	1
21	J780002124000	RING - O	1
22	96333030000	collar sprocket	1

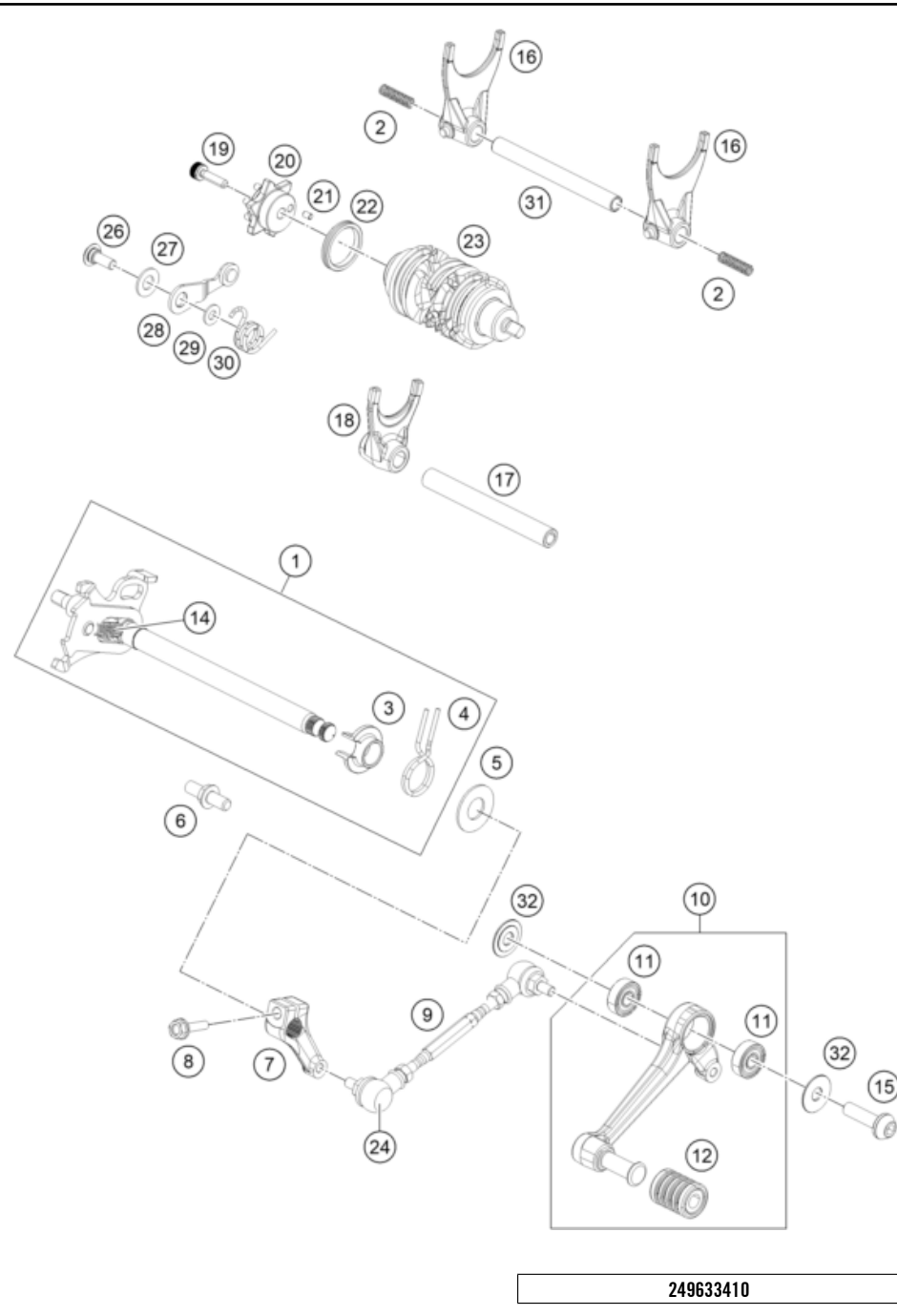
68310

* NEW PART

X ON DEMAND

SHIFTING MECHANISM

Engine 390 Duke 2024



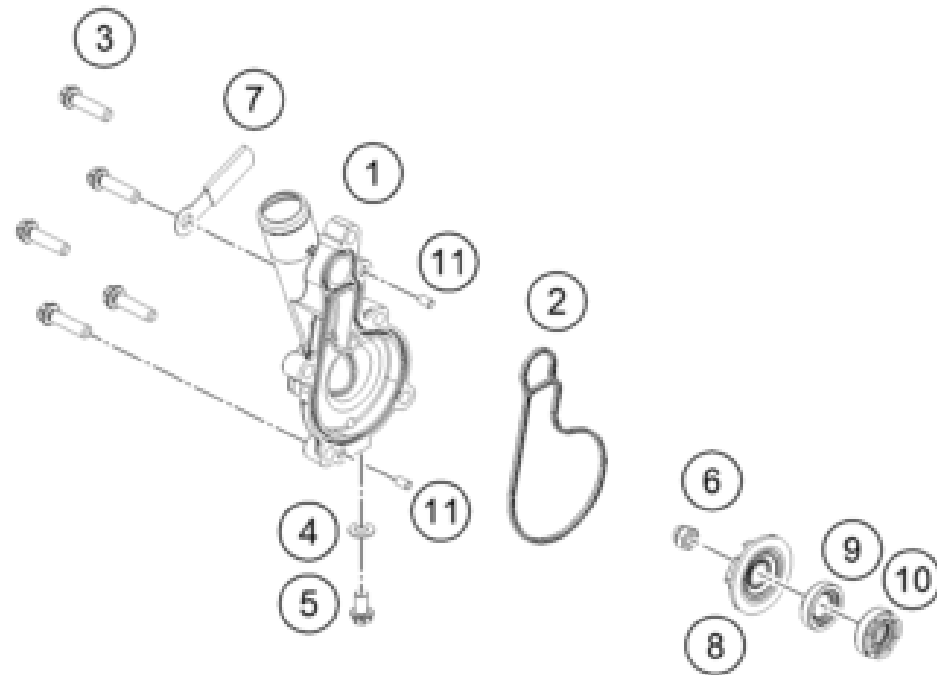
POS	PARTNUMBER		PIECE
1	96334005033	Shift shaft cmpl.	1
2	90234039000	SPRING SHIFT RAIL	2
3	90134022000	SPRING BUSHING	1
4	96334014000	Return spring	1
5	90134050000	STOP DISK 14X30X1,5	1
6	90134016000	SPRING GUIDE	1
7	96034031010	Gear shift lever linkage	1
8	J025060221	Bolt-Flange-Kad ST-D DIA-06 L-22	1
9	96334036033	shifting rod assembly	1
10	96334031033	Gear shift lever complete	1
11	J625060800	BALL BEARING 608	2
12	90134035000	GEAR SHIFT LEVER RUBBER	1
14	90134009000	TENSION SPRING	1
15	90534034300	BOLT SHIFT LEVER	1
16	96334002000	Countershaft shift fork	2
17	90234019000	SHIFT RAIL	1
18	96334001000	Main shaft shift fork	1
19	90130001001	SOCKET HEAD SCREW M6X20	1
20	94334015000	Detent	1
21	90134013000	Parallel pin	1
22	90134012002	SPACER	1
23	96334012000	Shift drum	1
24	93003044000	Cover Dust Tie Rod	2
26	90134025000	SCREW LOCKING LEVER	1
27	90134030000	WASHER LOCKING LEVER	1
28	90134024033	LOCKING LEVER CPL.	1
29	J125061416	Washer, 6x14x1.2	1
30	96334023000	Detent arm spring	1
31	93834020000	Gear shift rail	1
32	90534031020	WASHER SHIFTING LEVER	2

249633410

68312

* NEW PART

X ON DEMAND



POS	PARTNUMBER		PIECE
1	56JP6XC1	Dummy_SPC_Bajajteil KT26 COVER PUMP WATER JP601000	1
2	96335053000	SEAL COVER PUMP WATER	1
3	J900000602508	bolt flanged M6x25	5
4	J603061001	COPPER GASKET	1
5	J025060104	Hex collar screw M6X10	1
6	90135058000	DOME NUT WAPU-WHEEL	1
7	BA201006	Dummy_SPC_Bajajteil CLAMP	1
8	96235055000	ROTOR PUMP WATER	1
9	J760122455	SHAFT SEALING RING 12X24X5,5	1
10	0760122406	Shaft seal ring 12x24x6	1
11	90134013000	Parallel pin	2

249633510

68278

* NEW PART

X ON DEMAND



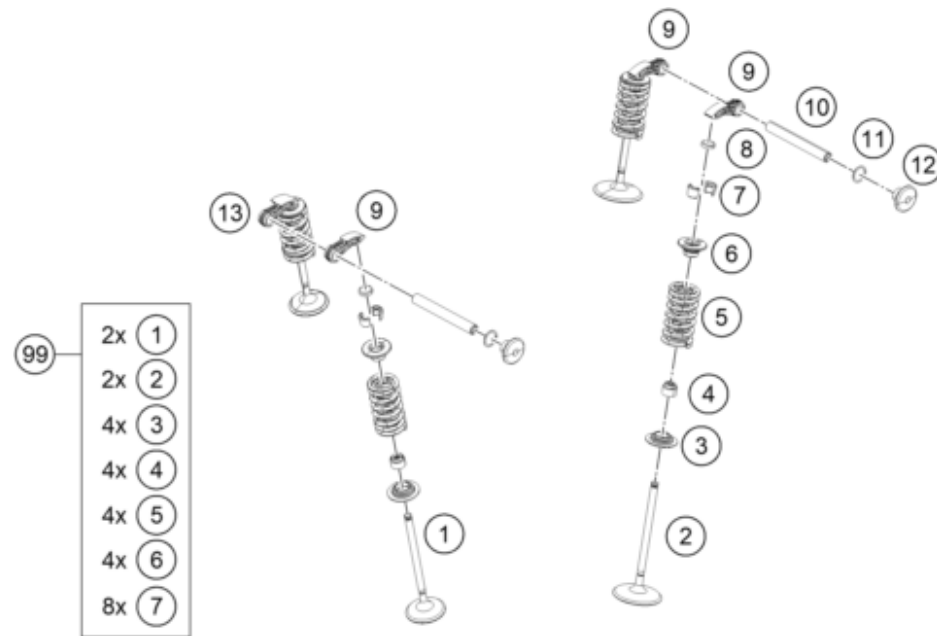
249633530

68300

POS	PARTNUMBER		PIECE
1	96335010000	Radiator	1
2	90135016100	RADIATOR CAP	1
4	93335001000	SILENTBLOCK M6	4
5	J926060003	nut hex flange-m6x1xht.6xcl4xblk	6
6	J127060001	Spring ring B6	2
7	J125070004	washer plain-id6.5xod16xthk1xblk	4
8	96335041033	Radiator fan compl.	2
9	J900000501900	SCREW TAPPING PAN DIA 4.8	6
10	90135020000	HOSE CLAMP D23	2
11	J310001202900	Spring band clamp D=29	2
12	96335024000	Radiator hose	1
13	96335025000	Radiator hose	1
14	96335065000	Reservoir	1
15	90135066000	PLUG F. EXPANSION TANK	1
16	90102055000	COMPENSATING TANK O-RING	1
17	J912060253	Hexagon socket screw, M6X25	1
18	96335003000	Reservoir cover	1
19	J900000601607	SCREW SOCKET M6X1	1
22	60035067820	Radiator drain hose	1
23	J600001041700	Kühlerschlauch	1
24	90107018011	CLAMP 10MM	2
25	95835068000	Strap-clip swivel	1
26	J300000801000	Spring clip 9.5	1
27	96335041020	Radiator fan cover right	1
28	96335041010	Radiator fan cover left	1
29	J031050103	Screw Truss M5X0.8	4
32	95835016000	Rubber grommet only for heavy duty model	1
33	90105017000	CLIP NUT M6 only for heavy duty model	1
36	90108076000	SPECIAL SCREW M6X12X3 only for heavy duty model	1
37	96335036000	Radiator protection only for heavy duty model	1

* NEW PART

X ON DEMAND



POS	PARTNUMBER		PIECE
1	93836031000	Exhaust valve	2
2	90236030000	INTAKE VALVE	2
3	90236036000	valve spring washer	4
4	90236027000	valve stem seal	4
5	90236028010	VALVE SPRING SET	4
6	90236032000	VALVE SPRING RETAINER	4
7	90236033000	VALVE COLLET	8
8	60036035185	SHIM D=10/1,85 03	x
8	60036035190	SHIM D=10/1,90 03	x
8	60036035195	SHIM D=10/1,95 03	x
8	60036035200	SHIM D=10/2,00 03	x
8	60036035205	SHIM D=10/2,05 03	x
8	60036035210	SHIM D=10/2,10 03	x
8	60036035215	SHIM D=10/2,15 03	x
8	60036035220	SHIM D=10/2,20 03	x
8	60036035225	SHIM D=10/2,25 03	x
8	60036035230	SHIM D=10/2,30 03	x
8	60036035235	SHIM D=10/2,35 03	x
8	60036035240	SHIM D=10/2,40 03	x
8	60036035245	SHIM D=10/2,45 03	x
8	60036035250	SHIM D=10/2,50 03	x
8	60036035255	SHIM D=10/2,55 03	x
8	60036035260	SHIM D=10/2,60 03	x
8	60036035265	SHIM D=10/2,65 03	x
8	60036035270	SHIM D=10/2,70 03	x
8	60036035275	SHIM D=10/2,75 03	x
8	60036035280	SHIM D=10/2,80 03	x
8	60036035285	SHIM D=10/2,85 03	x
8	60036035290	SHIM D=10/2,90 03	x
8	60036035295	SHIM D=10/2,95 03	x
8	60036035300	SHIM D=10/3,00 03	x
8	60036035305	SHIM D=10/3,05 03	x
8	60036035310	SHIM D=10/3,10 03	x
8	60036035315	SHIM D=10/3,15 03	x
8	60036035320	SHIM D=10/3,20 03	x
8	60036035330	SHIM D=10/3,3	x
9	90136060000	cam follower	3
10	90236056000	VALVE LEVER SHAFT	2

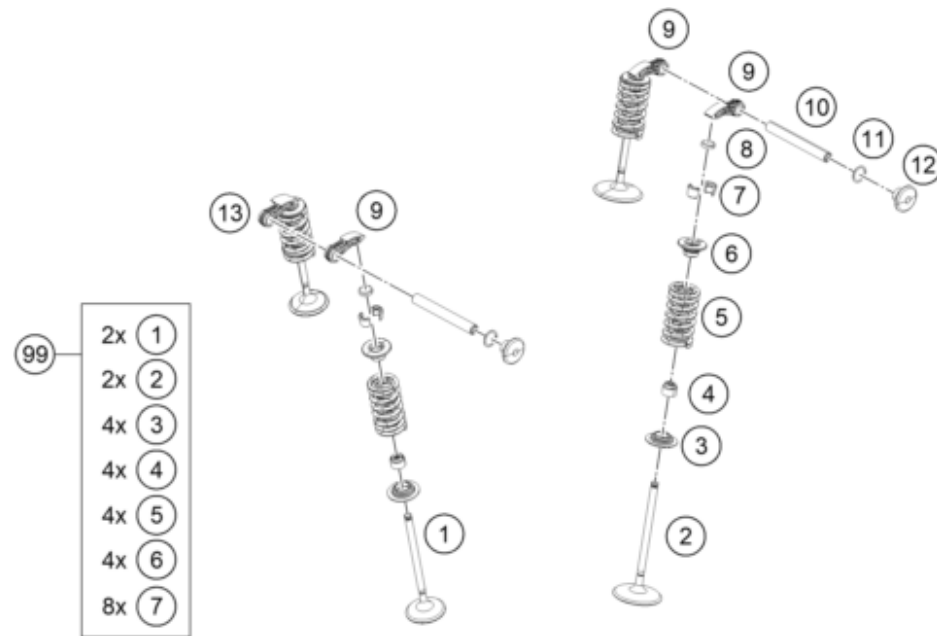
249633610

68286

* NEW PART

X ON DEMAND

POS	PARTNUMBER		PIECE
11	J770010312	O-RING 10,3X1,2 MM	2
12	90136056001	SCREW PLUG	2
13	90236060000	VALVE LEVER	1
99	90236030010	VALVE KIT 390 DUKE	x

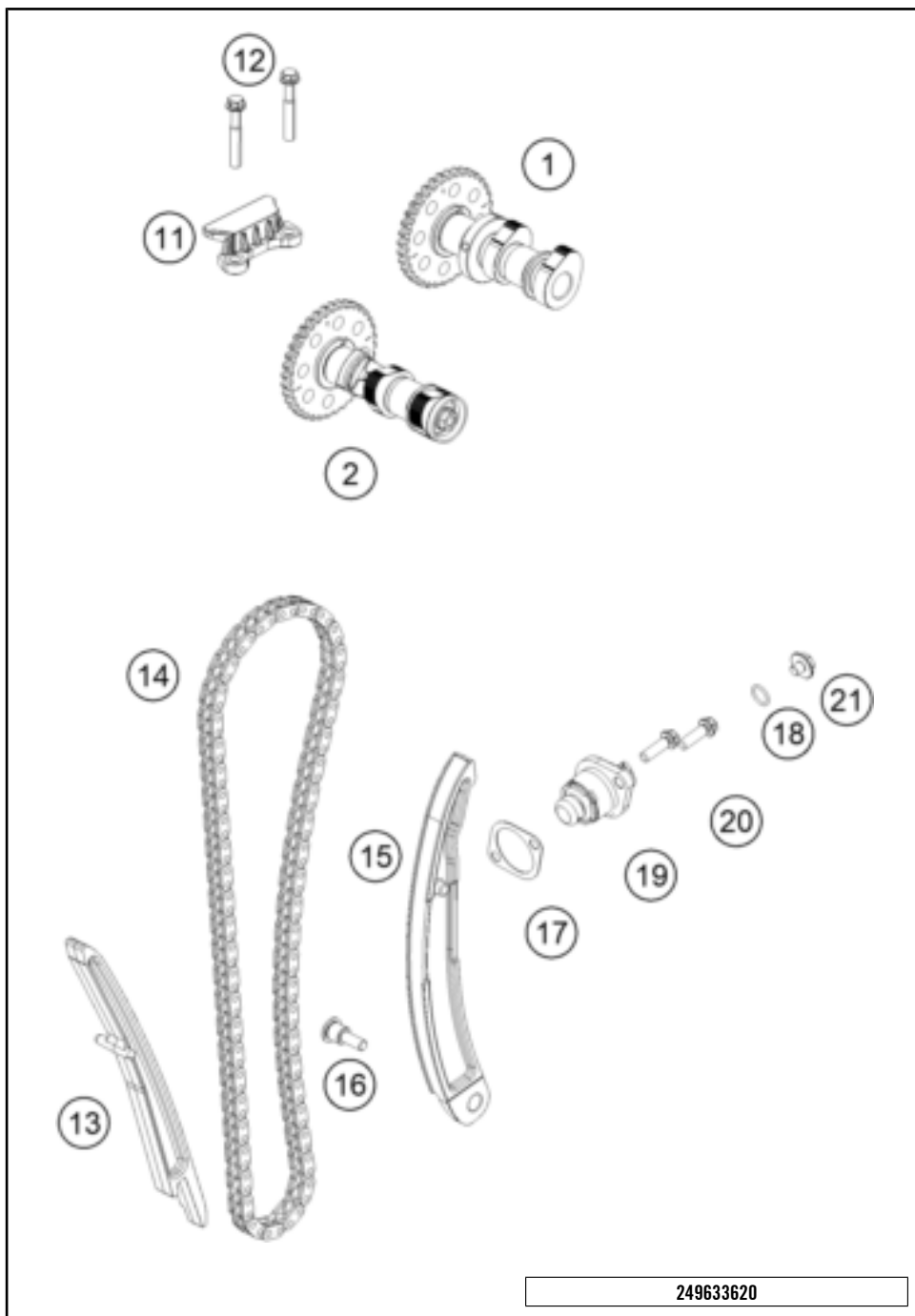


249633610

68286

* NEW PART

X ON DEMAND



POS	PARTNUMBER		PIECE
1	96336009033	CAMSHAFT ASSEMBLY INTAKE	1
2	96336010033	CAMSHAFT ASSEMBLY EXHAUST	1
11	JP511025	Dummy_SPC_Bajajteil BRACKET GUIDE CHAIN TOP	1
12	J025060453	HH COLLAR SCREW M6X45	2
13	96336001000	Slide bars	1
14	96336013000	CHAIN	1
15	96336002033	Slide rail complete	1
16	90130004007	SPECIAL SCREW 6X14,9	1
17	90136003003	GASKET CHAIN ADJUSTER	1
18	J770010015	O-RING 10,15X1,5	1
19	96336003044	Timing chain tensioner compl.	1
20	J025060204	Hex collar screw M6X20	2
21	90136003002	SPECIAL SCREW 6X6	1

249633620

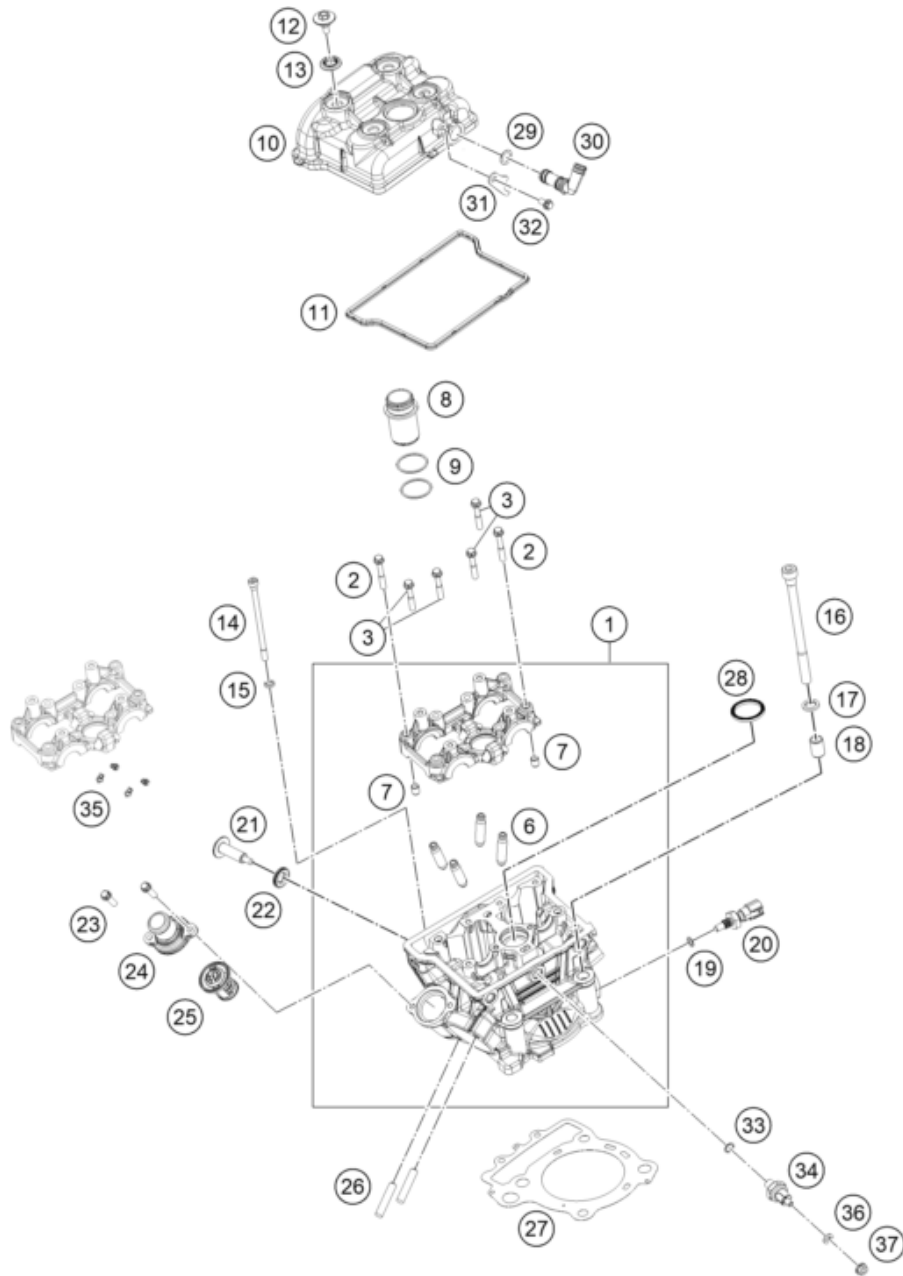
68298

* NEW PART

X ON DEMAND

CYLINDER HEAD

Engine 390 Duke 2024



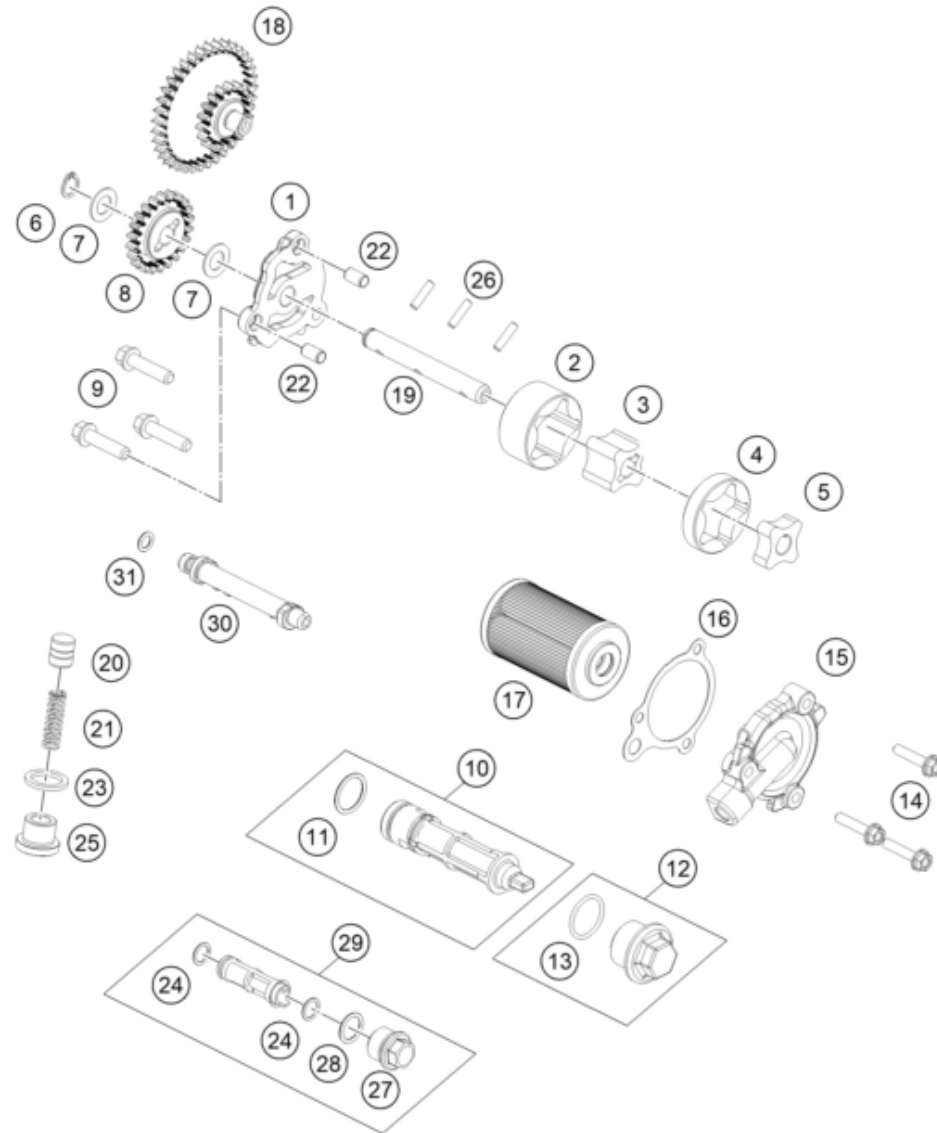
POS	PARTNUMBER		PIECE
1	52JP1532	Dummy_SPC_Bajajteil CYL HEAD WITH CAMHOLDER (JP511)	1
2	J900000604003	BOLT-FLANGE-KAE ST-F DIA-06 L-40	2
3	J025060359	Hexagon screw M6X35	4
6	90236025100	Valve guide	4
7	J800000601002	Dowel 8x6.3x10	2
8	90236074000	SPARK PLUG SHAFT	1
9	J770029819	O-RING 29,8X1,9	2
10	96336052000	COVER HEAD CYLINDER	1
11	96336053000	GASKET COVER HEAD CYLINDER	1
12	90136052020	VALVE COVER SCREW	4
13	J790001102300	Crush washer 11.2x23	4
14	J912061026	intake funnel	2
15	J125070003	WASHER 7X11X2	2
16	J912101449	SOCKET HEAD SCREW M10X144	4
17	J125110003	WASHER 11,2X18X2	4
18	90130003007	DOWEL D14	2
19	J770000817800	O-ring 7.65x1.78	1
20	90135047000	TEMPERATURE SENSOR	1
21	J900000604600	BOLT FLANGED-M6X1XL 46XSTEPPED	1
22	J790001102300	Crush washer 11.2x23	1
23	J025060204	Hex collar screw M6X20	2
24	96235014000	COVER THERMOSTAT	1
25	96335017000	UNIT THERMOSTAT	1
26	90136020001	STUD M8	2
27	96330036000	Cylinder head gasket	1
28	90236054000	GASKET SPARK PLUG SHAFT	1
29	J770001224000	O-ring	1
30	96336082000	Bleeder flange	1
31	96236052020	PLATE STOPPER	1
32	J900000601004	Hexagonal bolt M6x10	1
33	90138091001	O-RING	1
34	90138091000	OIL PRESSURE SENSOR	1
35	90130064000	OIL JET	4
36	J127060001	Spring ring B6	1
37	J926060000	FLANGED NUT M6 WS10 SELF LOCK.	1

249633631

68291

* NEW PART

X ON DEMAND



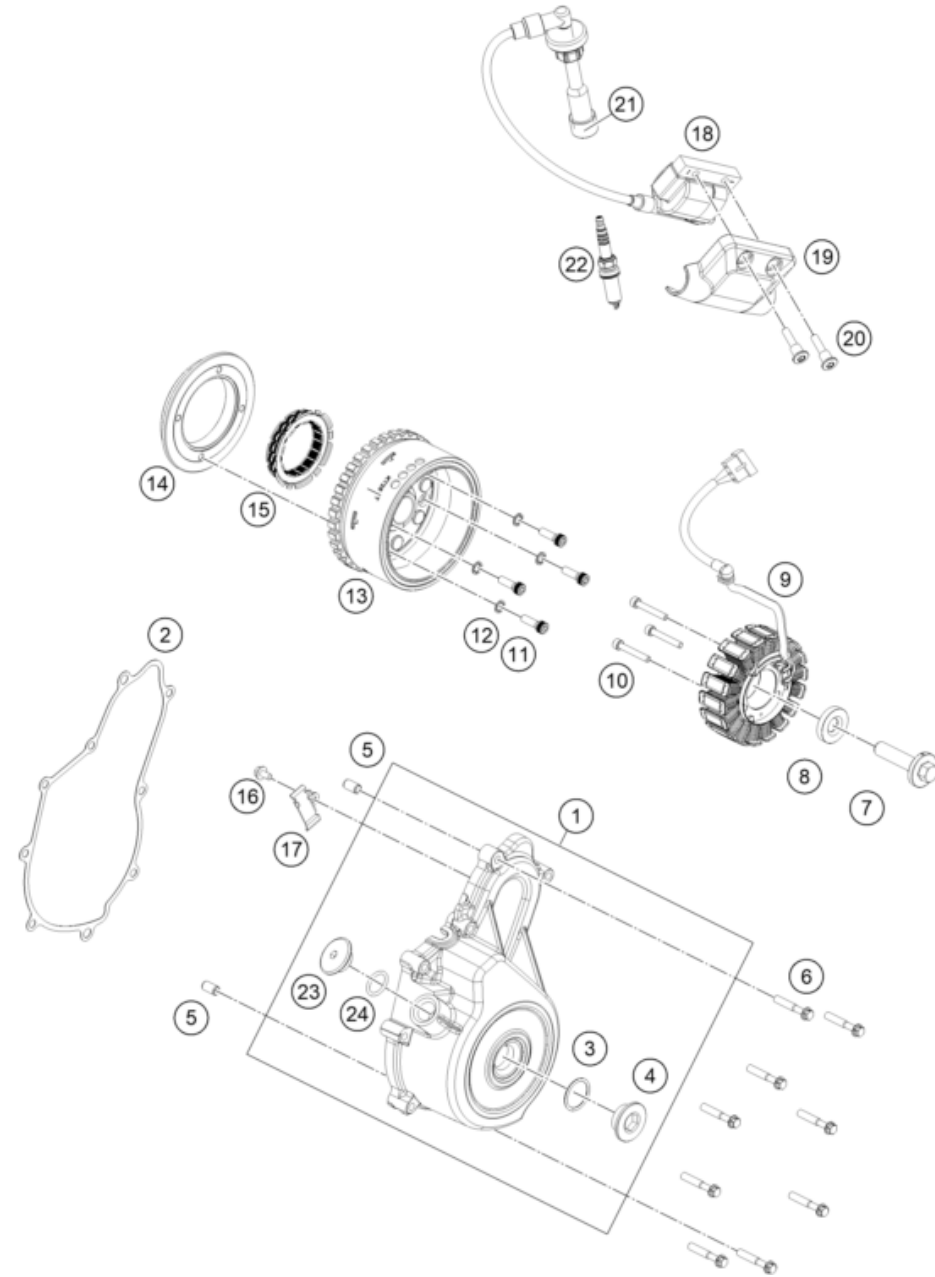
POS	PARTNUMBER		PIECE
1	96338008000	cover pump evacuation	1
2	90238008050	AUSSENROTOR SAUGSEITE	1
3	90238008051	INNENROTOR SAUGSEITE	1
4	90238010052	AUSSENROTOR DRUCKSEITE	1
5	90238010053	INNENROTOR DRUCKSEITE	1
6	J471010100	Seeger ring 10X1,0	1
7	J125100006	WASHER 10,2X18X1	2
8	96338001000	Oil pump gear	1
9	J900000602509	bolt flanged M6x25	3
10	90238015033	MESH STRAINER CPL.	1
11	J770017721	O-RING 17,7X2,1 MM	1
12	90138015050	CLOSURE CAP OIL SCREEN	1
13	90138015052	O-RING	1
14	J900000602508	bolt flanged M6x25	3
15	52JP1818	Dummy_SPC_Bajajteil KT26 CAP ASSEMBLY FILTER OIL (1
16	96338041010	Oil Filter Cover Gasket	1
17	90138015000	OIL FILTER	1
18	96338006000	Oil pump intermediate gear	1
19	96338002000	Oil pump shaft	1
20	96338028000	Control piston	1
21	96338026000	Oil pressure regulator valve	1
22	J800000601002	Dowel 8x6.3x10	2
23	J780001602200	RING - SEALING	1
24	J7700090151	O-RING 9X1,5	2
25	J900001601200	bolt socket M16x1.5	1
26	90238003000	PARALLEL PIN	3
27	90238017000	CAP STRAINER	1
28	J770012520	O-RING 12,5X2	1
29	90238016044	MESH STRAINER CPL.	1
30	96330065000	Transmission oil spray tube	1
31	J770000719000	O-ring	1

249633810

68316

* NEW PART

X ON DEMAND



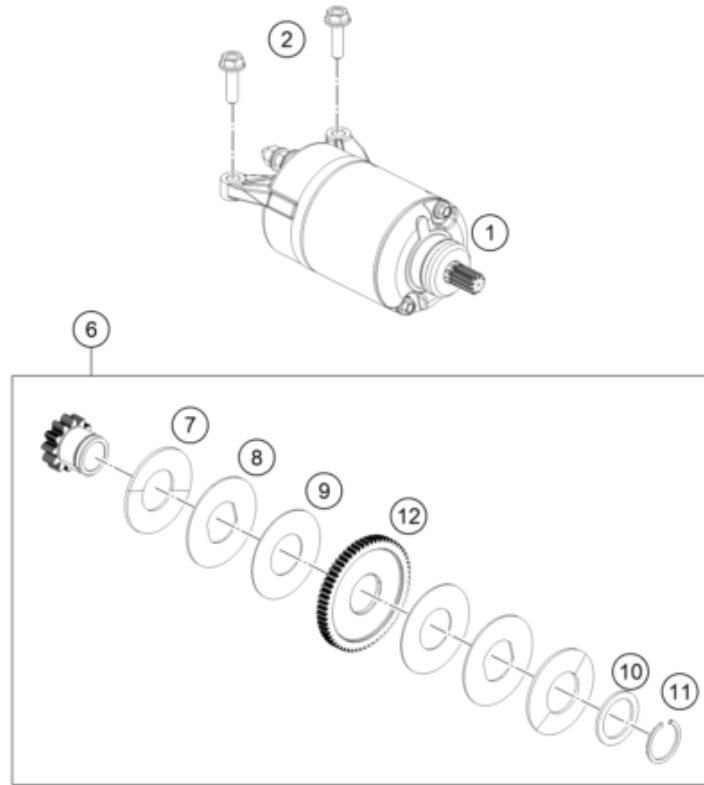
POS	PARTNUMBER		PIECE
1	52JY2734	Dummy_SPC_Bajajteil COVER MAGNETO	1
2	96330040000	GASKET COVER MAGNETO	1
3	J770024015	O-RING 24X2,5	1
4	90230094000	PLUG SCREW M24X1,5	1
5	90130024000	PIN DOWEL 8X6,4X14MM	2
6	J025060350	FLANGED BOLT M6X35 WS8	9
7	J900001205000	Banjo bolt M12x1.5	1
8	J690001260000	WASHER PLAIN-ID 12.3XOD 31XT 6	1
9	94539004000	STATOR ASSEMBLY	1
10	J912050353S	AH SCREW M5X35 SELF LOCKING	3
11	90130001001	SOCKET HEAD SCREW M6X20	4
12	J797060003	TOOTHED WASHER M6	4
13	96339005000	Rotor	1
14	90130001000	SUPPORT FREEWHEEL CLUTCH	1
15	90140026000	FREEWHEEL CLUTCH	1
16	J900000501003	BOLT FLANGED M5X0.8	1
17	96339029000	Retaining bracket alternator cable	1
18	96339006000	coil assembly ignition	1
19	96339006050	Ignition coil cover	1
20	J900000603400	SCREW SOCKET STEP M6X1	2
21	90239090001	RUBBER GASKET SPARK PLUG	1
22	93839093000	Spark plug BOSCH VR6NEU M12X1.25	1
23	93839010100	Screw plug, OT marking	1
24	J770015824	O-RING 15,8X2,4	1

249633910

68269

* NEW PART

X ON DEMAND



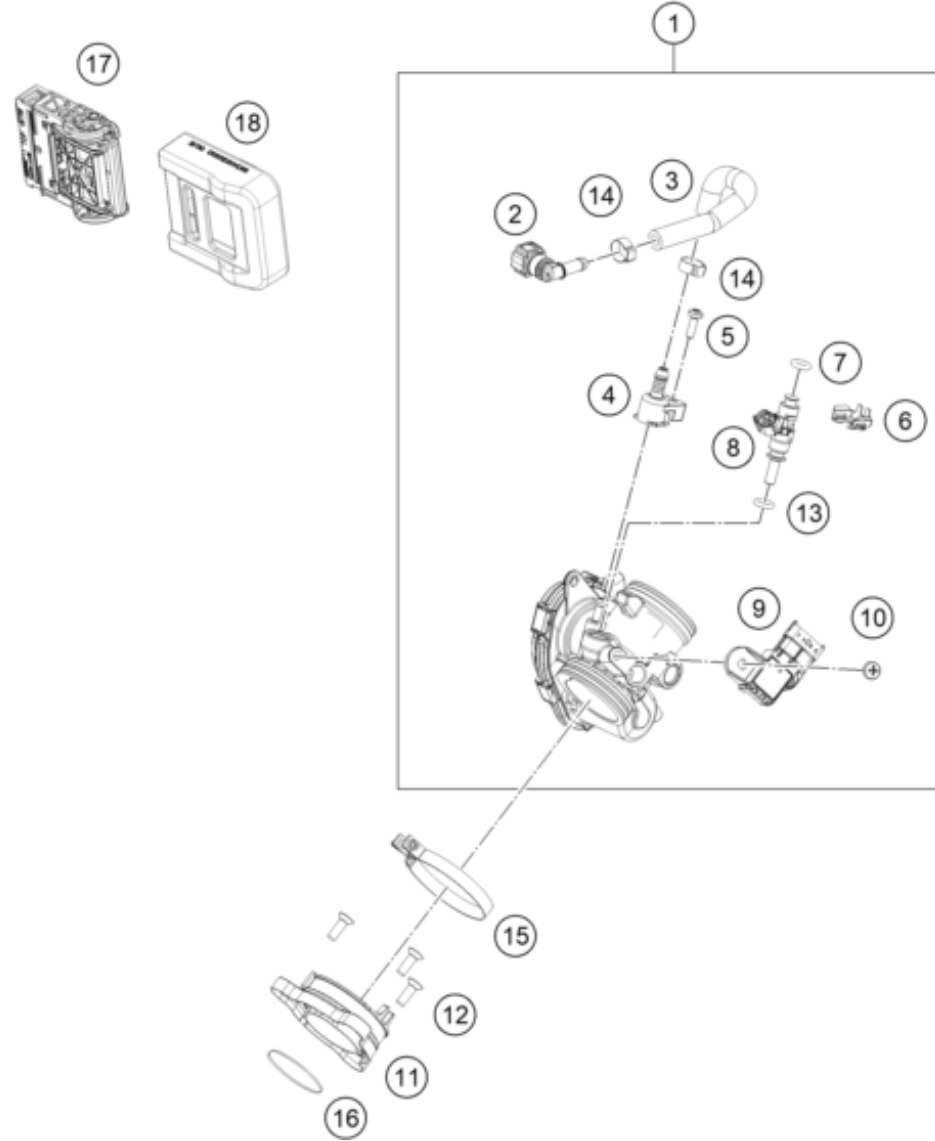
POS	PARTNUMBER		PIECE
1	96340001000	Starter motor	1
2	J025060221	Bolt-Flange-Kad ST-D DIA-06 L-22	2
3	96340020033	Freewheel gear cmpl.	1
4	J430002801600	BEARING NEEDLE ROLLER	1
5	96340022000	Starter idler gear	1
6	96340016033	Torque limiter cmpl.	1
7	90240023006	CONICAL WASHER	2
8	90240023005	WASHER	2
9	90240023004	PAD FRICTION	2
10	J690002218000	Washer 22.2x38x1.8	x
10	J690002220000	Washer 22.2x38x2	x
10	J690002222000	Washer 22.2x38x2.2	x
10	J690002224000	Washer 22.2x38x2.4	x
10	J690002226000	Washer 22.2x38x2.6	x
10	J690002228000	Washer 22.2x38x2.8	x
11	J710002012000	Lock ring for shafts 20.1x1.2	1
12	90240023002	GEAR STARTER COUNTER	1
13	J690000820000	WASHER PIVOT BOLT	1
14	J900000802504	bolt flanged M8x1.25	1

249634010

68318

* NEW PART

X ON DEMAND



POS	PARTNUMBER		PIECE
1	96341001033	Throttle body compl.	1
2	28107028000	Angle piece	1
3	96307016000	Fuel hose	1
4	95841037000	Connecting piece, fuel line	1
5	90141023005	SPECIAL SCREW M5X12	1
6	90141001001	INJECTOR CLIP	1
7	55641023020	O-ring	1
8	96341023000	INJECTOR	1
9	93041085000	Pressure sensor	1
10	90141071001	SPECIAL SCREW M6X14	1
11	96336044000	PIPE INTAKE	1
12	J991060203S	COUNTERSUNK SCREW M6X20	3
13	55641023010	O-ring	1
14	00050148706	clamp quick connector end permanent	2
15	90241002010	hose clamp	1
16	J770053024	O-RING 53X2,4	1
17	96341031000	ECU EMS assembly	1
18	96341030000	Rubber mount ECU	1

24A6154110

67096

* NEW PART

X ON DEMAND

KTM.COM



081370XEN

KTM Sportmotorcycle GmbH
5230 Mattighofen, Austria
www.ktm.com

KTM POWERPARTS

KTM POWERWEAR

KTM ORIGINAL SPARE PARTS



Art. Nr.: 081370XEN 10. Okt 2023