

# Engine 125 SX/XC 2023

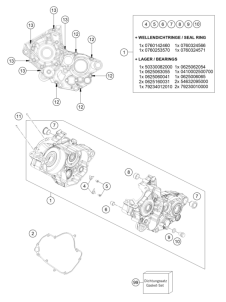
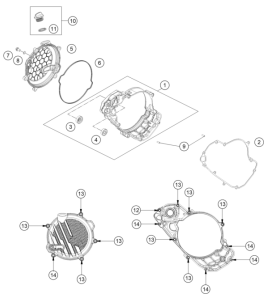
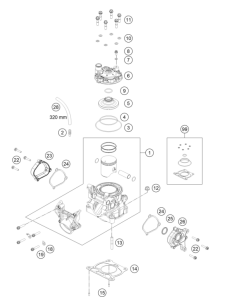
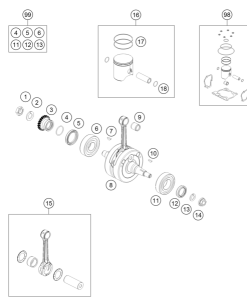
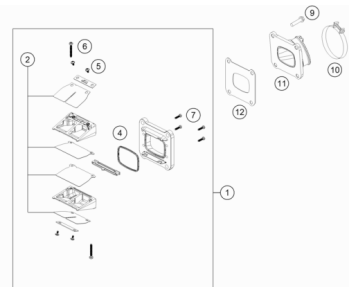
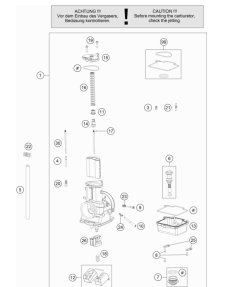
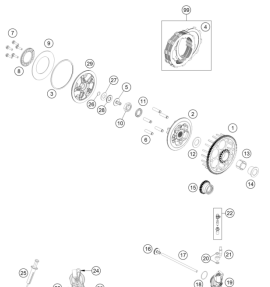
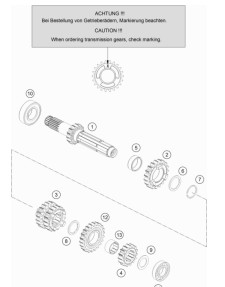
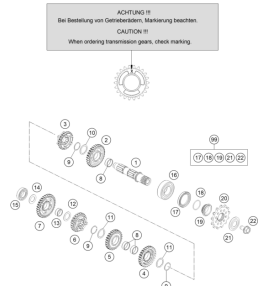
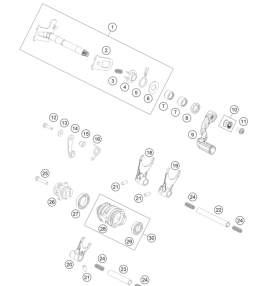
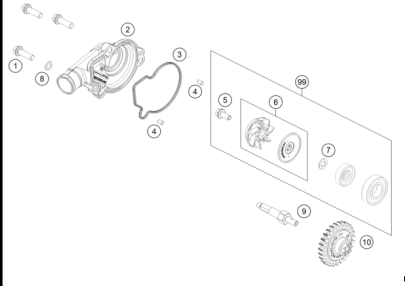
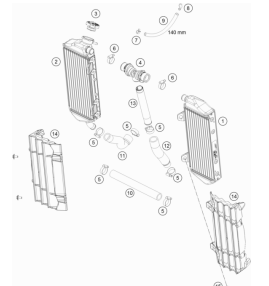
ART.-NR.: 081521WEN

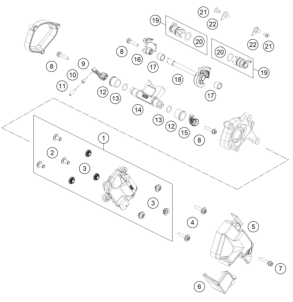
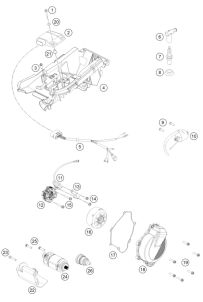


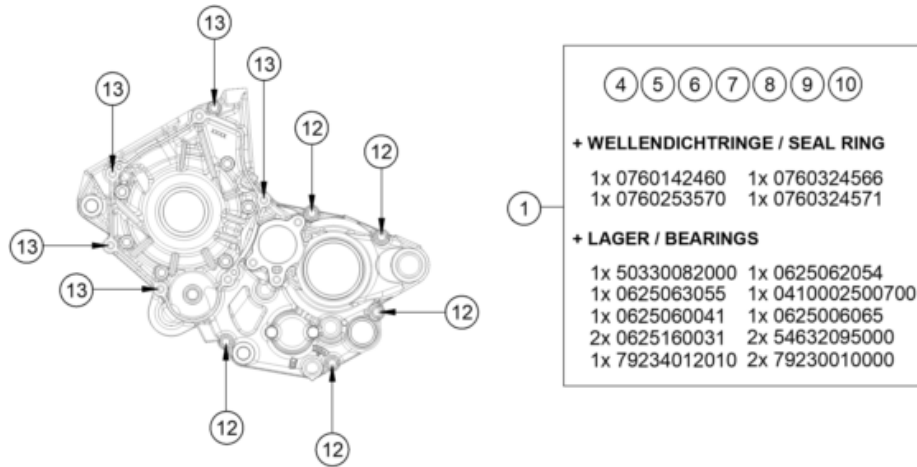


All information contained is without obligation. KTM Sportmotorcycle GmbH particularly reserves the right to modify any equipment, technical specifications, prices, colors, shapes, materials, services, service work, constructions, equipment and the like so as to adapt them to local conditions or to cancel any of the above items, all without previous announcement and without giving reasons. KTM may stop manufacturing certain models without previous notice. KTM shall not be held liable for any deviations of availability and/or ability to deliver, illustrations, descriptions, printing and/or other errors. The illustrated models partly contain extra equipment, which is not applied to standard models.

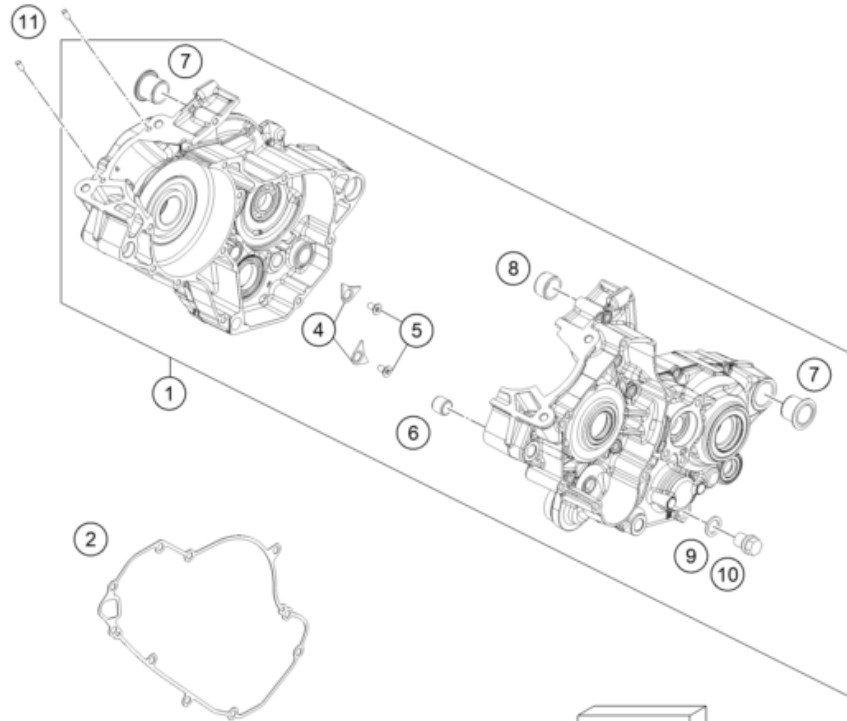
© by KTM Sportmotorcycle GmbH, Mattighofen AUSTRIA; All rights reserved; Reprint, also in extracts, with written allowance of KTM Sportmotorcycle GmbH, Mattighofen only.

<p><b>ENGINE CASE</b></p>  <p><b>3</b></p>	<p><b>CLUTCH COVER</b></p>  <p><b>4</b></p>	<p><b>CYLINDER, CYLINDER HEAD</b></p>  <p><b>5</b></p>	<p><b>CRANKSHAFT, PISTON</b></p>  <p><b>6</b></p>
<p><b>REED VALVE CASE</b></p>  <p><b>7</b></p>	<p><b>CARBURETOR</b></p>  <p><b>8</b></p>	<p><b>CLUTCH</b></p>  <p><b>11</b></p>	<p><b>TRANSMISSION I - MAIN SHAFT</b></p>  <p><b>12</b></p>
<p><b>TRANSMISSION II - COUNTERSHAFT</b></p>  <p><b>13</b></p>	<p><b>SHIFTING MECHANISM</b></p>  <p><b>14</b></p>	<p><b>WATER PUMP</b></p>  <p><b>15</b></p>	<p><b>COOLING SYSTEM</b></p>  <p><b>16</b></p>

<p><b>EXHAUST CONTROL</b></p>  <p><b>17</b></p>	<p><b>IGNITION SYSTEM</b></p>  <p><b>18</b></p>		



4	5	6	7	8	9	10
<b>+ WELLENDICHRINGE / SEAL RING</b>						
1x 0760142460			1x 0760324566			
1x 0760253570			1x 0760324571			
<b>+ LAGER / BEARINGS</b>						
1x 50330082000		1x 0625062054				
1x 0625063055		1x 0410002500700				
1x 0625060041		1x 0625006065				
2x 0625160031		2x 54632095000				
1x 79234012010		2x 79230010000				



23A4603011

POS	PARTNUMBER	PARTNAME	PIECE
1	A42030000044	Engine case cmpl.	1
2	A42030025000	Clutch cover gasket, inner	1
4	75030085100	Retaining bracket crankshaft bearing	2
5	0019050106S	hex lobe countersunc screw M5x10 - 10.9	2
6	54630027000	DOWEL BUSHING 13,8X11X12	1
7	79230010000	CASE BUSH	2
8	54830027100	Dowel, 21x12	1
9	58038022000	CU-SEAL RING DIN7603-12X18X1,5	1
10	58030021000	OILDRAIN PLUG W.MAG. M 12X1,5	1
11	0402040980	NEEDLE ROL.DIN5402 NRB 4X9,8	2
12	0025060506	HH collar screw M6x50 TX30	5
13	0025060256	HH collar screw M6x25 TX30	5
99	A42030099000	Gsket kit Engine MX 125	x

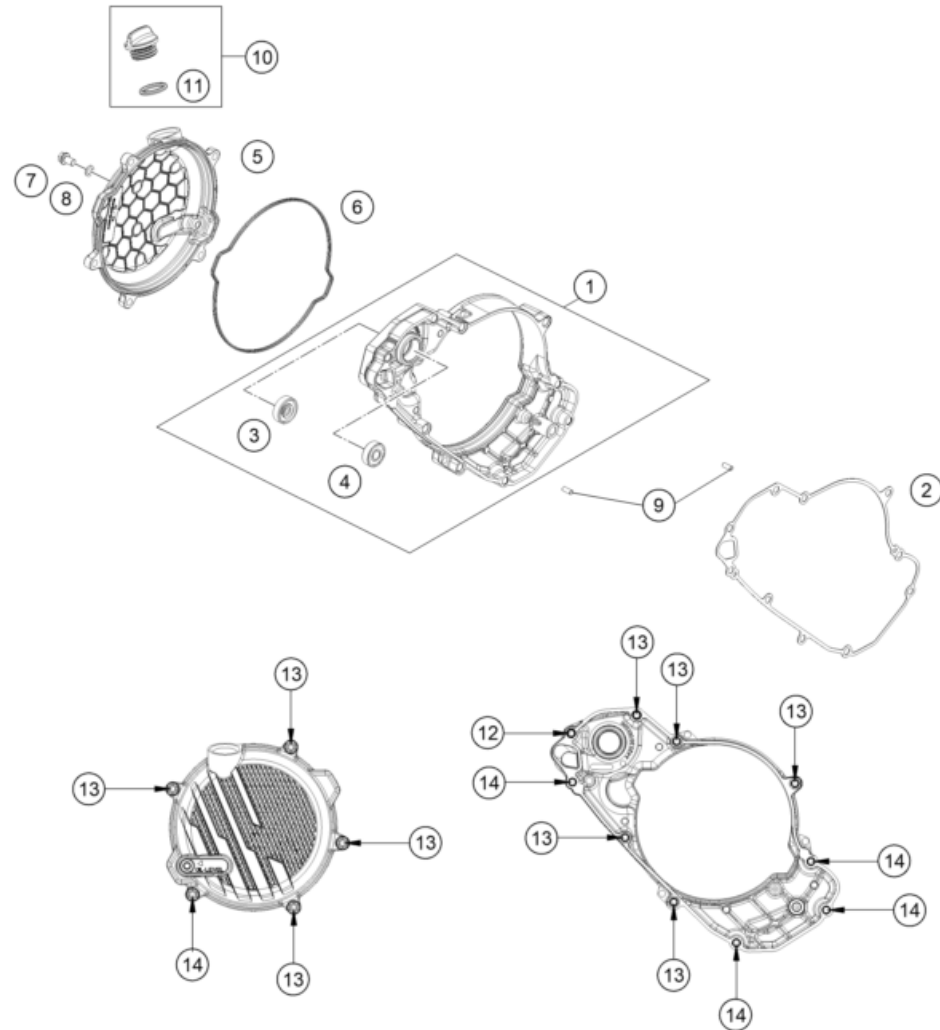
60239

\* NEW PART

X ON DEMAND

# CLUTCH COVER

Engine 125 SX/XC 2023



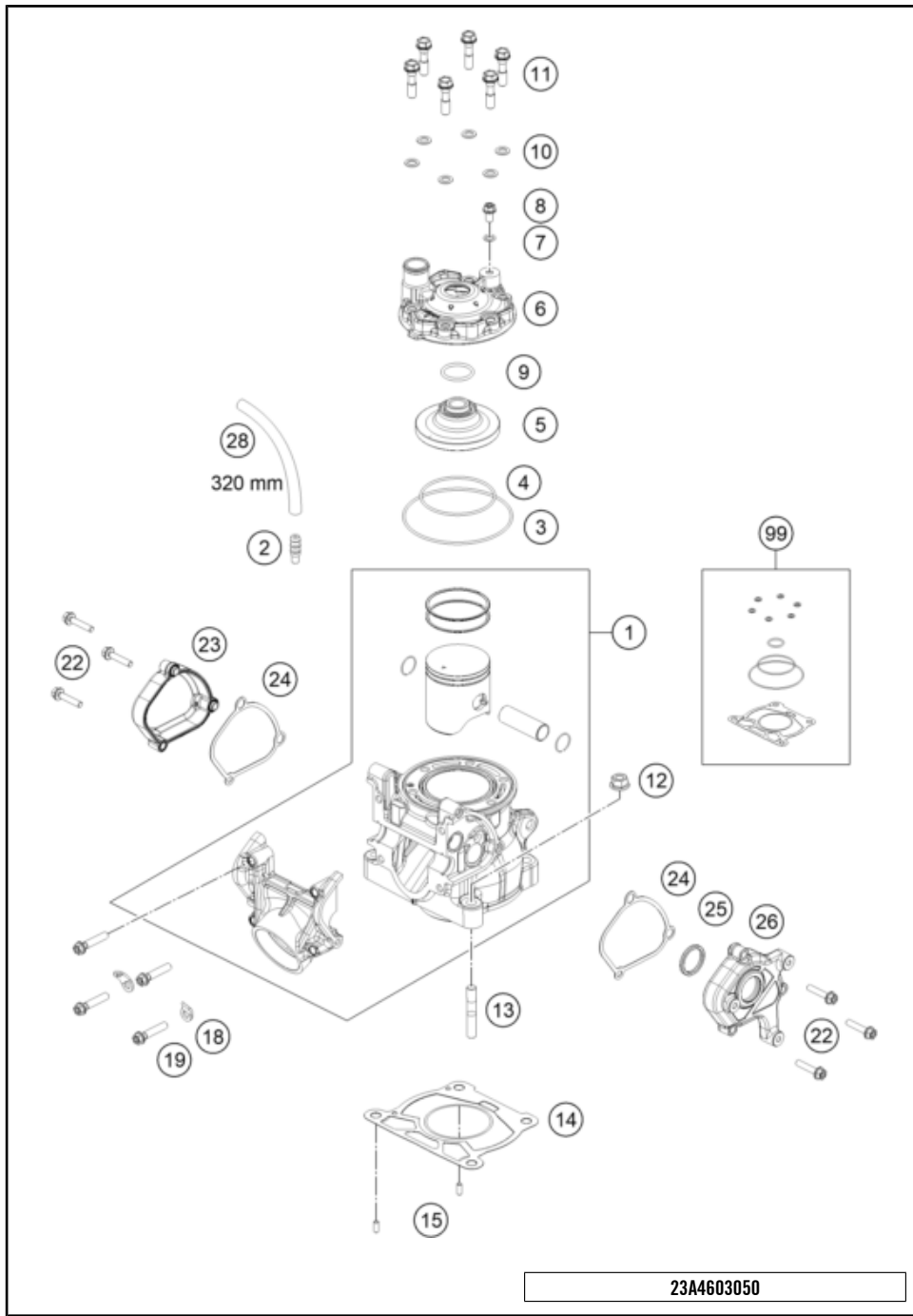
POS	PARTNUMBER	PARTNAME	PIECE
1	A42030001044	Inner clutch cover cml.	1
2	A42030025000	Clutch cover gasket, inner	1
3	0760082472	SHAFT SEAL RING 8X24X7 A DUO	1
4	0625006087	GROOVED BALL BEAR. 608 2RS C3	1
5	A42030026000C1	Outer clutch cover	1
6	A42030027000	Clutch cover gasket, external	1
7	0025060106	HH collar screw M6x10 TX30	1
8	0603061001	CU-SEAL RING DIN7603-6X10X1	1
9	0402040980	NEEDLE ROL.DIN5402 NRB 4X9,8	2
10	79430020033	OIL FILLER CAP M24x3 WITH O-R	1
11	0770191015	O-RING 19,00X3,00 NBR	1
12	0025060606	HH collar screw M6x60 TX30	1
13	0025060506	HH collar screw M6x50 TX30	5
14	0025060256	HH collar screw M6x25 TX30	4

23A4603020

60249

\* NEW PART

X ON DEMAND



23A4603050

POS	PARTNUMBER	PARTNAME	PIECE
1	A42030038000	cylinder + piston kpl. 125 MX	1
2	78036020090	VACUUM CONNECTION M6	1
3	0770890200	O-RING 89X2 NBR 70 SH	1
4	0770600200	O-RING 60X2 FPM 75SH	1
5	A42030060000	Combustion chamber insert	1
6	A42030006100	Cylinder head	1
7	0603061001	CU-SEAL RING DIN7603-6X10X1	2
8	0025060106	HH collar screw M6x10 TX30	1
9	07702300251	O-RING 23,00X2,5 NBR 70 SH	1
10	0603070121	CU-SEAL RING DIN7603- 7,3X12X1	6
11	50430079000	CYLINDER HEAD SCREW	6
12	50330045000	HH COLLAR NUT M 8 WS=12	4
13	0835080326	STUD DIN 835 M8X32	4
14	50430035020	CYLINDER BASE GASKET 0.20MM	x
14	50430035040	CYLINDER BASE GASKET 0.40MM	x
14	50430035075	CYLINDER BASE GASKET 0.75MM	x
14	50430035015	CYLINDER BASE GASKET 0.15MM	x
14	50430035025	CYLINDER BASE GASKET 0.25MM	x
14	50430035050	CYLINDER BASE GASKET 0.50MM	x
15	0402040980	NEEDLE ROL.DIN5402 NRB 4X9,8	4
18	51005074000	RETAINING PLATE	2
19	0025060256	HH collar screw M6x25 TX30	4
22	0025050256	HH COLLAR SCREW M5X25 ISA30	6
23	A42037007000	Control cover, right	1
24	A42037006000	Gasket, control lid left	2
25	0770002226200	X-ring 21.89x2.62 FKM 70	1
26	A42037005000	Control cover, left	1
28	50335030001	PVC-HOSE 6X9	x
99	A42030097000	Gasket kit Cylinder MX 125	x

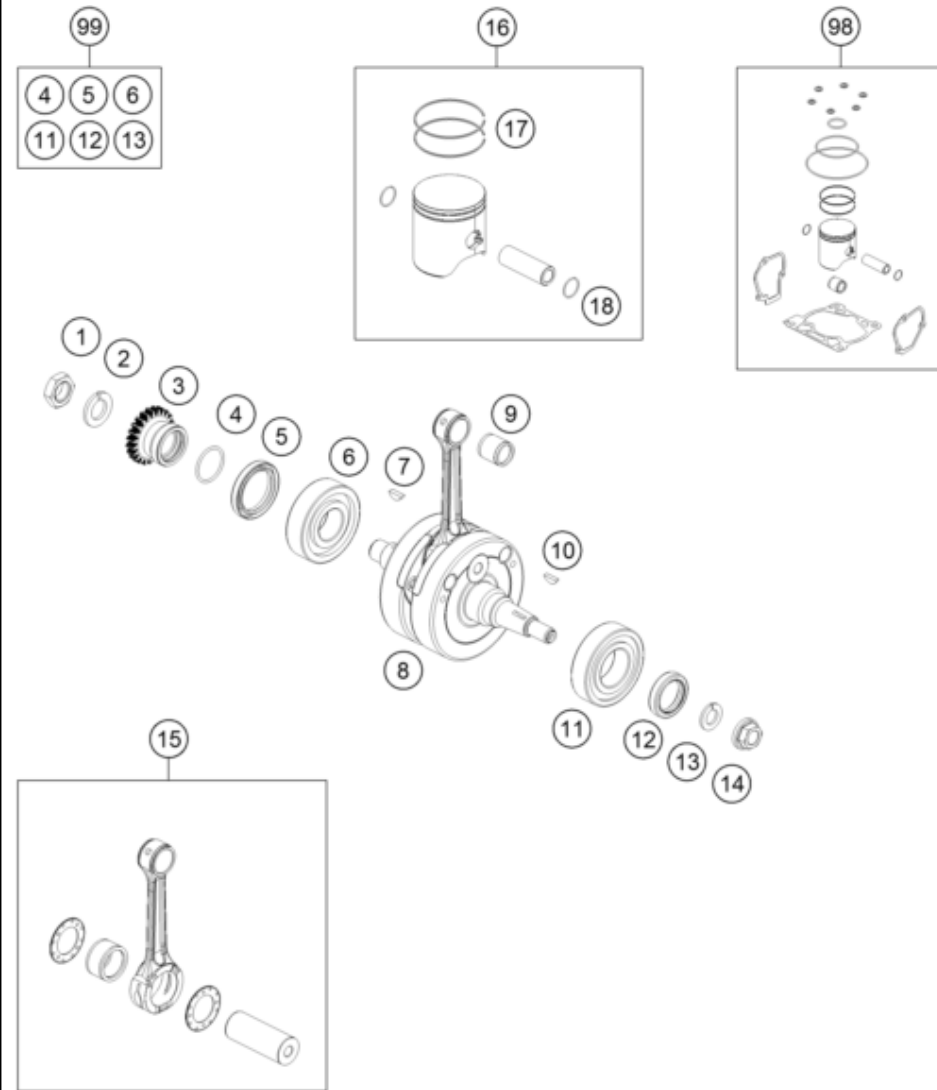
60258

\* NEW PART

X ON DEMAND

# CRANKSHAFT, PISTON

Engine 125 SX/XC 2023



POS	PARTNUMBER	PARTNAME	PIECE
1	50330029000	HEXAGON NUT M 16 X 1,5 - L/S	1
2	50230029016	LOCKING RING VSK 16	1
3	A42032023023	Primary gear wheel 23 teeth.	1
4	0770250020	O-RING 25,00X2,00 NBR 70	1
5	0760324564	SHAFT SEAL RING 32X45X6,5 BT	1
6	0625063055	BALL BEARING 6305 JR2 CS36	1
7	0888040050	woodruff key DIN 6888 4x5x13	1
8	50430018000	CRANKSHAFT	1
9	51030034000	NEEDLE BEARING KBK 15X19X20	1
10	0888030050	WOODRUFF KEY DIN6888-3X5X13	1
11	50330082000	CYL.ROLLER BEAR.NJ206 ET2XCS46	1
12	0760253570	SHAFT SEAL RING 25X35X7 BTSL	1
13	50230029012	LOCKING RING VSK 12	1
14	49030021000	COLLAR NUT M12X1 R/S	1
15	50430015044	CON-ROD REPAIR KIT	1
16	50530007000 II	Piston II cpl. 125 MX	x
16	50530007000 I	Piston I cpl. 125 MX	x
17	50330032600	TRAPEZOID RING 125 2008	2
18	50330074500	WIRE LOCK RING 15X1	2
98	A42030007010 II	Piston kit II MX 125	x
98	A42030007010 I	Piston kit I MX 125	x
99	00050002300	CRANKSHAFT REP. KIT 125-200	x

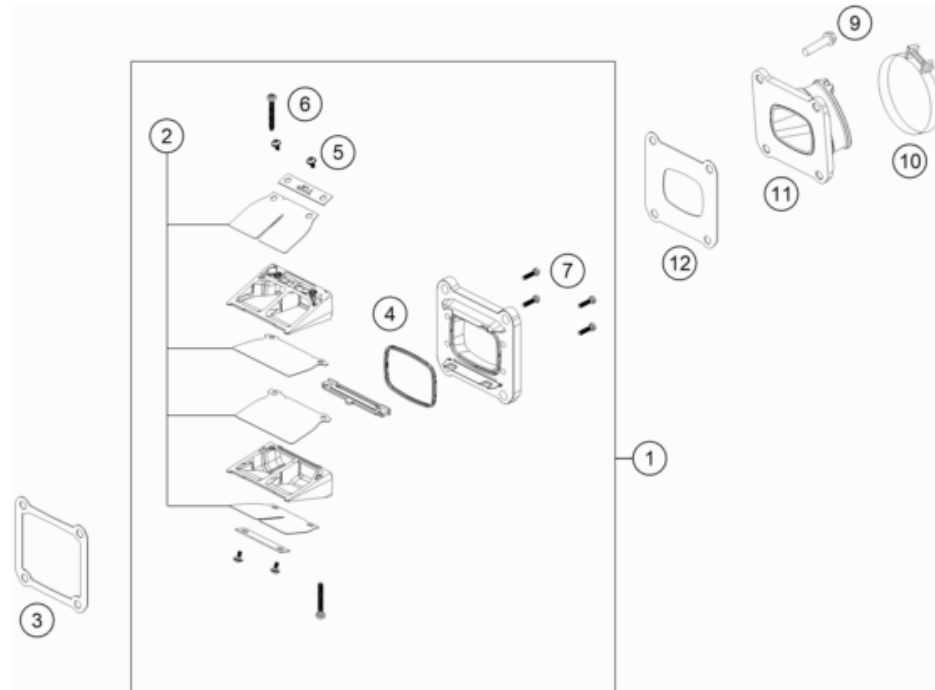
165043060

60272

\* NEW PART

X ON DEMAND





POS	PARTNUMBER	PARTNAME	PIECE
1	50530051044	Reed Valve Case cpl.	1
2	50530152044	Reed Valve Set	1
3	50430098050	GASKET REED VALVE CASE	1
4	54830153050	GASKET SUPPORTING PLATE	1
5	00810300553	EJOT DELTA PT SCREW 30X5,5	4
6	0081035253	EJOT DELTA PT SCREW 35X25	2
7	0081030124	EJOT DELTA PT SCREW 30X12	4
9	0025060256	HH collar screw M6x25 TX30	4
10	54330061000	CLAMP 52/12 GEMI	1
11	50430050000	INTAKE FLANGE	1
12	50430098060	GASKET INTAKE FLANGE	1

205053070

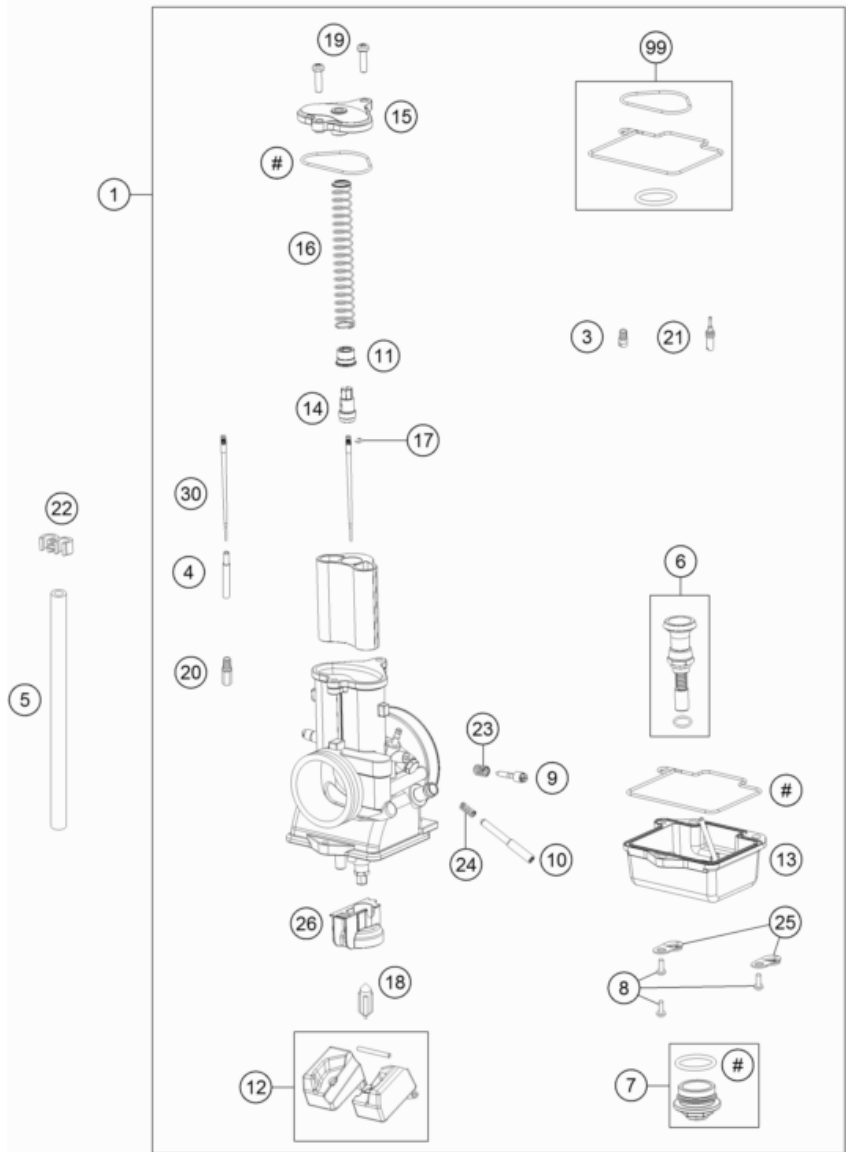
53020

\* NEW PART

X ON DEMAND

**ACHTUNG !!!**  
Vor dem Einbau des Vergasers,  
Bedüsung kontrollieren.

**CAUTION !!!**  
Before mounting the carburetor,  
check the jetting.



175543110

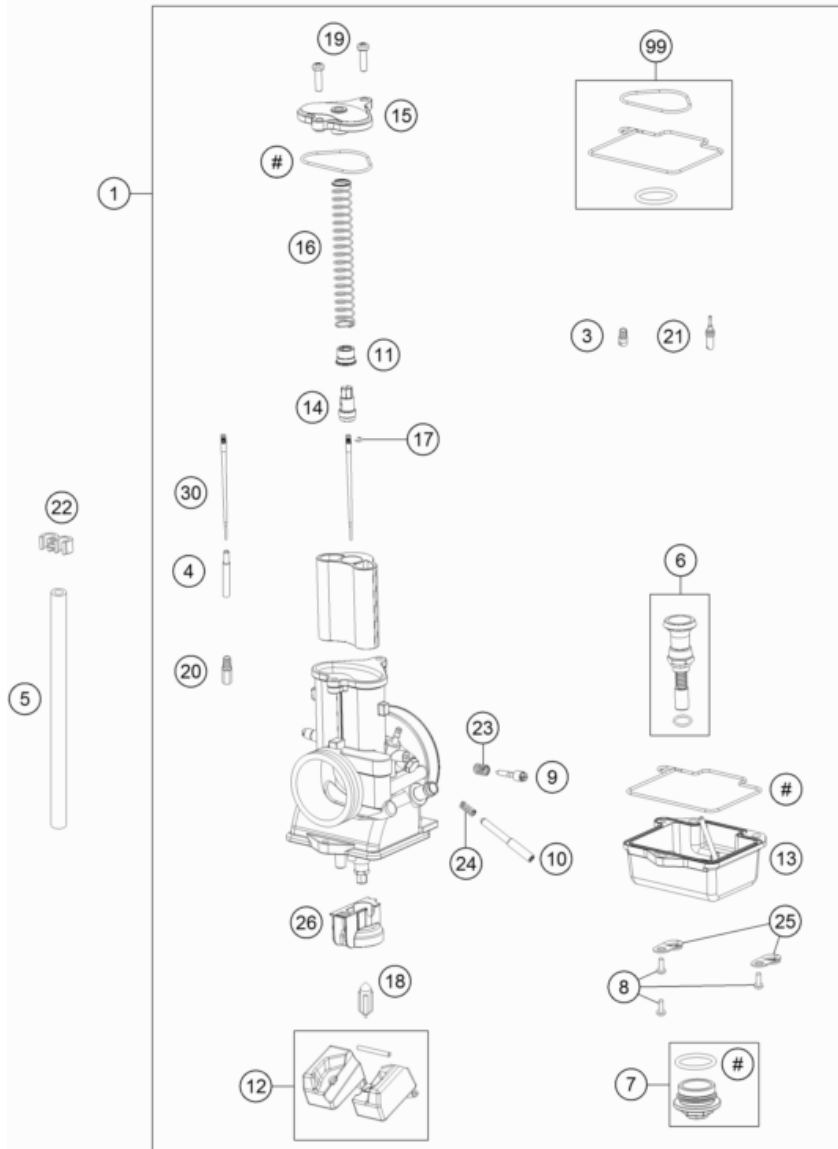
POS	PARTNUMBER	PARTNAME	PIECE
1	55431001244	CARBURETOR TMX38	1
3	55431051050	STARTING JET "50"	x
3	55431051080	STARTING JET "80"	x
4	55431021100	NEEDLE JET "S-1"	x
4	55431021700	Needle jet S-7	x
4	55431021400	Needle jet S-4	x
4	55431021000	NEEDLE JET "R-8"	x
5	31007007101	PVC-HOSE 4X6MM	x
5	52031137001	PVC-HOSE 3X5MM	x
6	55431245000	start piston	1
7	55431699000	SCREW PLUG CPL.	1
8	0014050163	HH COLLAR SCREW M 5X16 WS=6	3
9	55431017000	Adjuster	1
10	55431019000	Adjuster	1
11	55431034050	RING	1
12	55431009000	FLOAT & PIN	1
13	55431011000	FLOAT CHAMBER CPL.	1
14	55431030050	GUIDE HOLDER	1
15	55431027000	CARBURETTOR COVER	1
16	55431030000	SLIDING SPRING MIKUNI	1
17	55431034060	LOCK RING	1
18	55431020000	FLOAT NEEDLE CPL.	1
19	55431025000	screw carburator cover	2
20	55431029100	MAIN JET "100"	x
20	55431029400	MAIN JET "400"	x
20	55431029420	MAIN JET "420"	x
20	55431029440	MAIN JET "440"	x
20	55431029460	MAIN JET "460"	x
20	55431029480	MAIN JET "480"	x
20	55431029500	MAIN JET "500"	x
20	55431029540	MAIN JET "540"	x
20	55431029580	MAIN JET "580"	x
20	55431029155	MAIN JET "155"	x
20	55431029410	MAIN JET "410"	x
20	55431029430	MAIN JET "430"	x
20	55431029450	MAIN JET "450"	x
20	55431029470	MAIN JET "470"	x
20	55431029490	MAIN JET "490"	x

19130

\* NEW PART X ON DEMAND

**ACHTUNG !!!**  
Vor dem Einbau des Vergasers,  
Bedüsung kontrollieren.

**CAUTION !!!**  
Before mounting the carburetor,  
check the jetting.



175543110

POS	PARTNUMBER	PARTNAME	PIECE
20	55431029520	MAIN JET "520"	X
20	55431029560	MAIN JET "560"	X
20	55431029600	MAIN JET "600"	X
21	55431007150	IDLING JET "15"	X
21	55431007225	"Idle jet ""22,5""	X
21	55431007275	"Idle jet ""27,5""	X
21	55431007325	IDLING JET "32.5"	X
21	55431007375	IDLING JET "37.5"	X
21	55431007425	IDLING JET "42.5"	X
21	55431007475	IDLING JET "47.5"	X
21	55431007525	IDLING JET "52.5"	X
21	55431007175	IDLING JET "17.5"	X
21	55431007250	"Idle jet ""25""	X
21	55431007300	IDLING JET "30"	X
21	55431007350	IDLING JET "35"	X
21	55431007400	IDLING JET "40"	X
21	55431007450	IDLING JET "45"	X
21	55431007500	IDLING JET "50"	X
22	55431073000	distance holder	3
23	55431017010	COMPRESSION SPRING ADJUSTER	1
24	55431019010	compressing spring	1
25	55431012000	plate	2
26	55431010000	Holder	1
30	55431934000	JET NEEDLE "6GAY69-74"	X
30	55431034100	JET NEEDLE "6BFY42-72"	X
30	55431034300	JET NEEDLE "6BFY42-74"	X
30	55431034500	JET NEEDLE "6BFY42-76"	X
30	55431134100	JET NEEDLE "6BFY43-72"	X
30	55431134300	JET NEEDLE "6BFY43-74"	X
30	55431134500	JET NEEDLE "6BFY43-76"	X
30	55431234100	JET NEEDLE "6BFY44-72"	X
30	55431234300	JET NEEDLE "6BFY44-74"	X
30	55431234500	JET NEEDLE "6BFY44-76"	X
30	55431034000	JET NEEDLE "6BFY42-71"	X
30	55431034200	JET NEEDLE "6BFY42-73"	X
30	55431034400	JET NEEDLE "6BFY42-75"	X
30	55431134000	JET NEEDLE "6BFY43-71"	X
30	55431134200	JET NEEDLE "6BFY43-73"	X

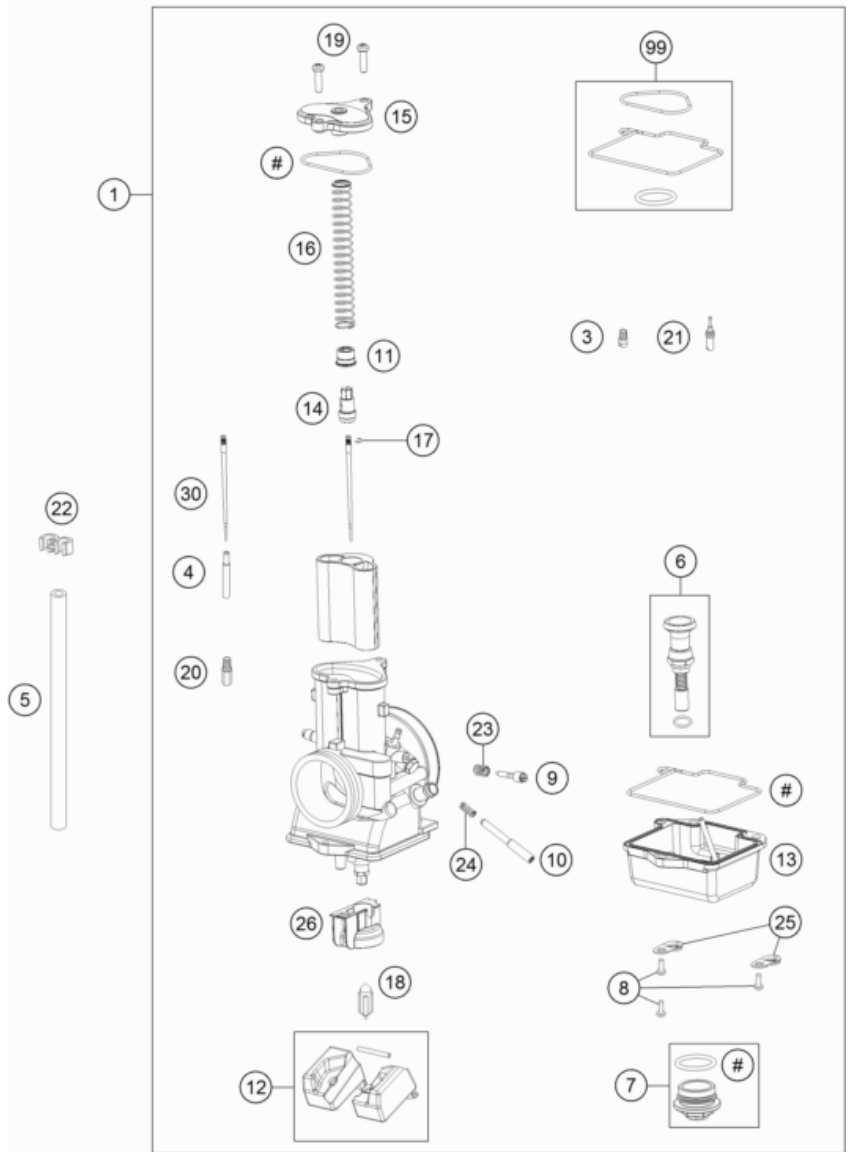
19130

\* NEW PART

X ON DEMAND

**ACHTUNG !!!**  
Vor dem Einbau des Vergasers,  
Bedüsung kontrollieren.

**CAUTION !!!**  
Before mounting the carburetor,  
check the jetting.



175543110

POS	PARTNUMBER	PARTNAME	PIECE
30	55431134400	JET NEEDLE "6BFY43-75"	X
30	55431234000	JET NEEDLE "6BFY44-71"	X
30	55431234200	JET NEEDLE "6BFY44-73"	X
30	55431234400	JET NEEDLE "6BFY44-75"	X
99	55431099000	Gasket set Mikuni	X

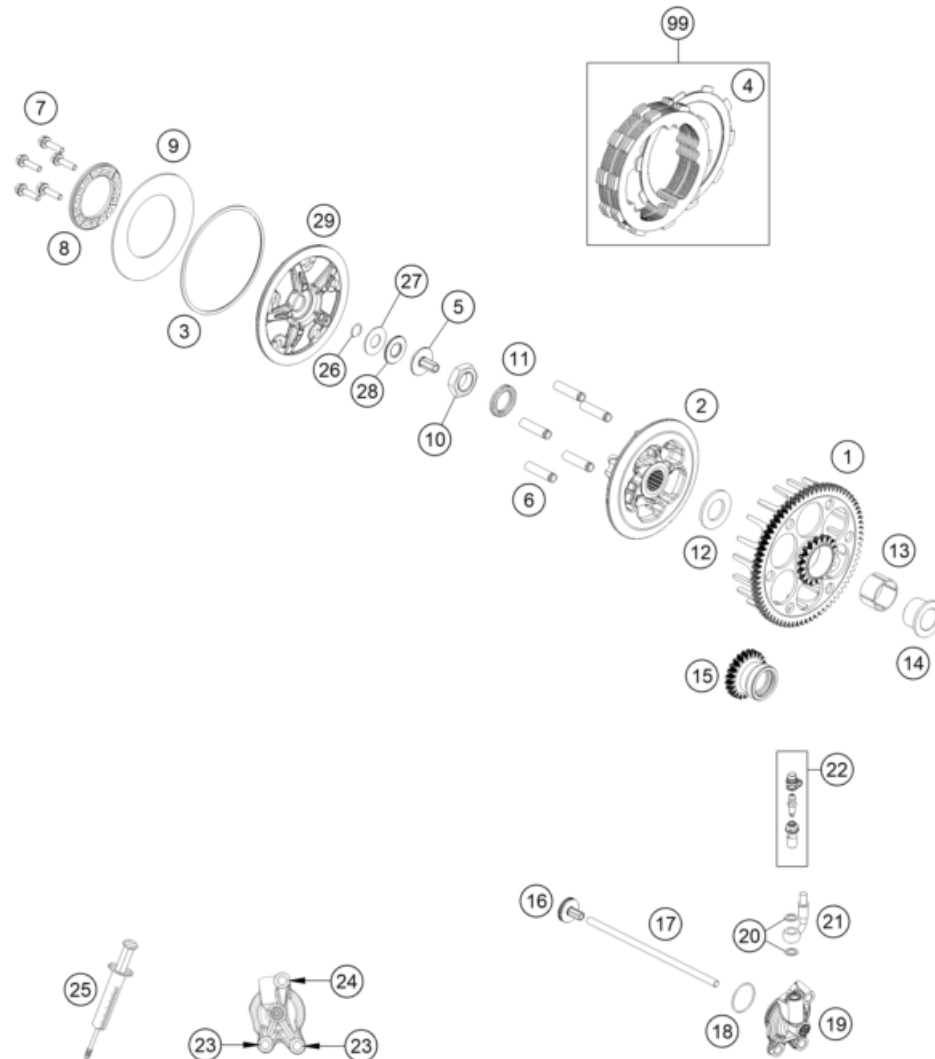
19130

\* NEW PART

X ON DEMAND

# CLUTCH

Engine 125 SX/XC 2023



POS	PARTNUMBER	PARTNAME	PIECE
1	50532001073	clutch basket SX	1
2	50532002000	Inner clutch hub	1
3	50532013000	Inner ring	1
4	50532011000	Friction plate 1.95 mm	7
5	78132057100	DRUCKPILZ	1
6	50532004000	Sleeve 7.95x31.65	5
7	0025050206	HH collar screw M5x20 TX30	5
8	50532006000	Spring plate	1
9	50532005000	Clutch spring	1
10	0936181506	Hex nut DIN0936-M18x1.5 right	1
11	0252012002900	Wedge lock washer 19.5x29x3.4	1
12	50532017000	Supporting plate 20x36x2.5	1
13	0405263017	Needle cage K263017	1
14	50532015000	Collar 20x26x19,5	1
15	50532023023	gear primary drive	1
16	78132057144	PRESSURE PIECE CPL.	1
17	A42032054000	Push rod	1
18	0770300015	O-RING 30,00X1,50 NBR 70	1
19	79232061044	OUTPUT CYLINDER CPL.	1
20	0603082121	SEAL RING CU DIN7603- 8X12X1	2
21	79232063000	CLUTCH PIPE	1
22	79032064000	BLEEDER SCREW CPL.	1
23	0025060166	HH collar screw M6x16 TX30	2
24	0025060256	HH collar screw M6x25 TX30	1
25	50329050000	VENT INJEKTION HYDR. CLUTCH	1
26	0993012000	CIRCLIP DIN7993-RW12	1
27	54637098200	AXIAL WASHER AS1226 12X26X1	1
28	54637097200	AXIAL NEEDLE BEARING AXK 1226	1
29	50532003000	Pressure plate	1
99	50532010033	Clutch disc pack	1

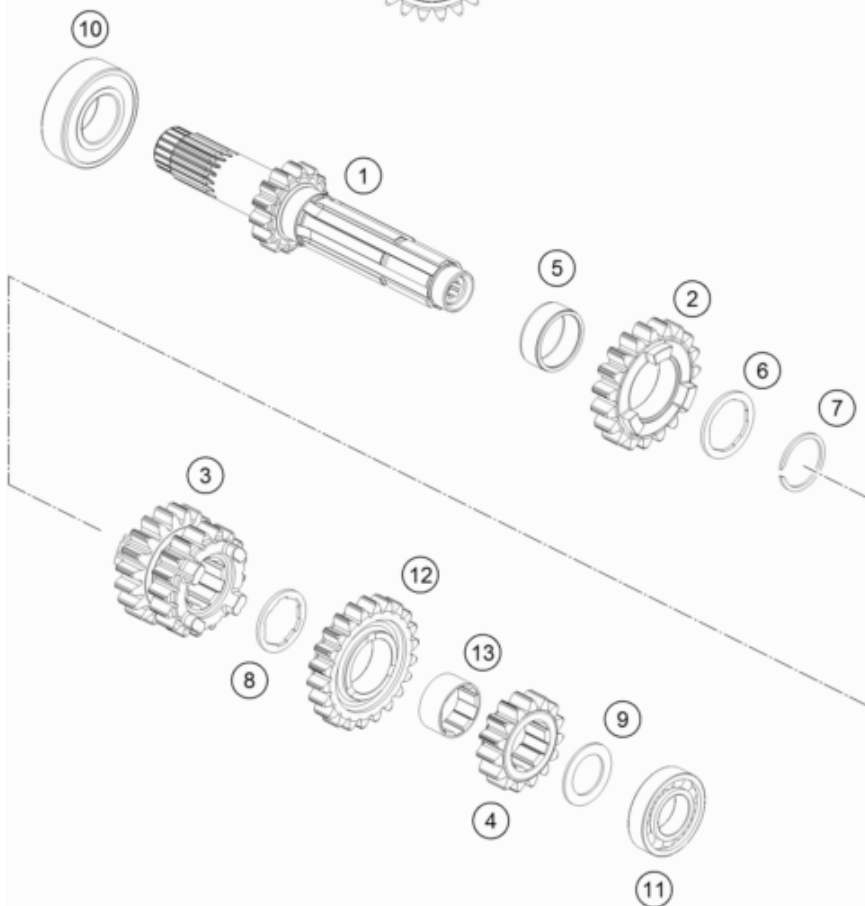
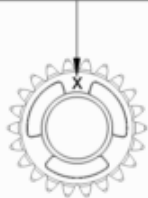
23A4603210

60271

\* NEW PART

X ON DEMAND

**ACHTUNG !!!**  
 Bei Bestellung von Getrieberädern, Markierung beachten.  
**CAUTION !!!**  
 When ordering transmission gears, check marking.



195053330

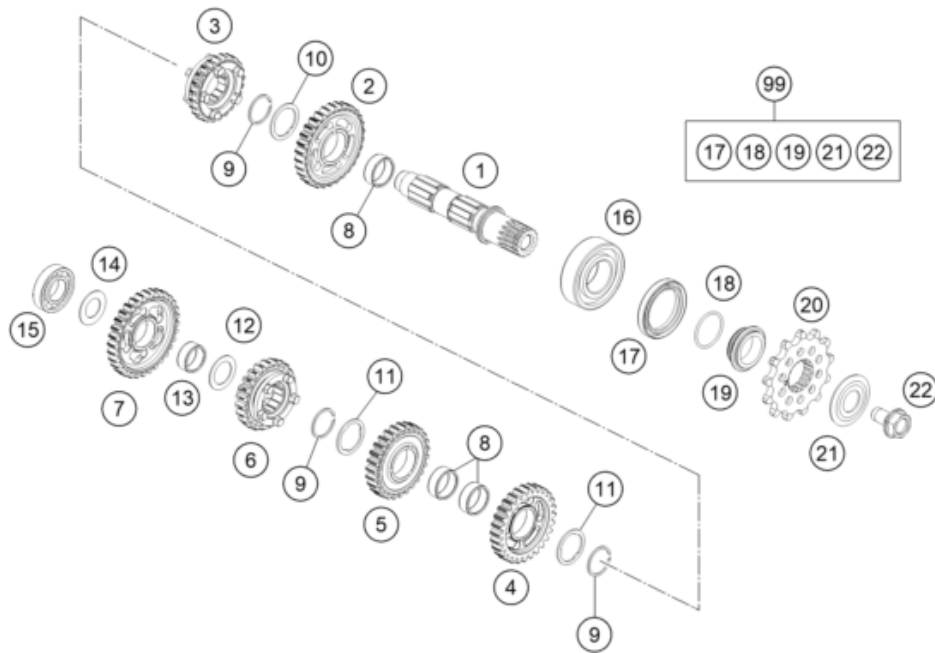
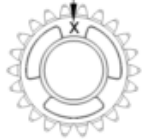
POS	PARTNUMBER	PARTNAME	PIECE
1	50533001000	Drive Shaft Assy. not=14	1
2	50533005000	Idler gear, 5th gear, teeth=19	1
3	50533003000	Sliding gear, 3rd/4th gear, teeth=17/19	1
4	50533002000	Fixed gear, 2nd gear, teeth=15	1
5	0405222611	NEEDLE BEAR.K 22X26X10 DIVIDED	1
6	50533034000	Thrust washer	1
7	50133090000	LOCK RING 22X1,2	1
8	50533033000	Thrust washer	1
9	50333041000	STOP DISC 17,2X26X1 B	1
10	0625060041	BALL BEARING 6004 TNH C3	1
11	0625160031	GROOVED BALL B. 16003 C4 J1	1
12	50533006000	Idler gear, 6th gear, teeth=22	1
13	50533024000	bushing	1

52173

\* NEW PART

X ON DEMAND

**ACHTUNG !!!**  
 Bei Bestellung von Getrieberädern, Markierung beachten.  
**CAUTION !!!**  
 When ordering transmission gears, check marking.



POS	PARTNUMBER	PARTNAME	PIECE
1	50533010100	pinion shaft	1
2	50533012000	Idler gear 2nd gear not=30	1
3	50533016000	Sliding gear, 6th gear, teeth=24	1
4	50533013000	Idler gear, 3rd gear, not=28	1
5	50533014000	Idler 4th gear not=27	1
6	50533015000	Sliding gear, 5th gear, teeth=23	1
7	50533011000	Idler gear, 1st gear, teeth=32	1
8	0405222611	NEEDLE BEAR.K 22X26X10 DIVIDED	3
9	0417024000	CIRCLIP WS24	3
10	77733044000	STOP DISC 24X32X1,5	1
11	77733043000	STOP DISC 23,4X31X1,5	2
12	54833080000	STOP DISC 20,2X30X1	1
13	0405202410	NEEDLE BEARING K20X24X10	1
14	56033030000	STOP DISC 17,2X30X1	1
15	0625160031	GROOVED BALL B. 16003 C4 J1	1
16	0625062054	BALL BEARING 6205 C3 NTN	1
17	0760324571	SHAFT SEAL RING 32X45X7 BSLNBR	1
18	0770020220	O-RING 25,12X1,78 NBR70	1
19	78133014000	SPACER SLEEVE COUNTER	1
20	79233029013	SPROCKET 13T	1
21	59033034000	SPRING WASHER 17,2X40X1,5	1
22	59033029000	HH COLLAR SCREW M10X18 10.9	1
99	50533010110	Counter shaft repair kit 125/150cc	1

23A4603360

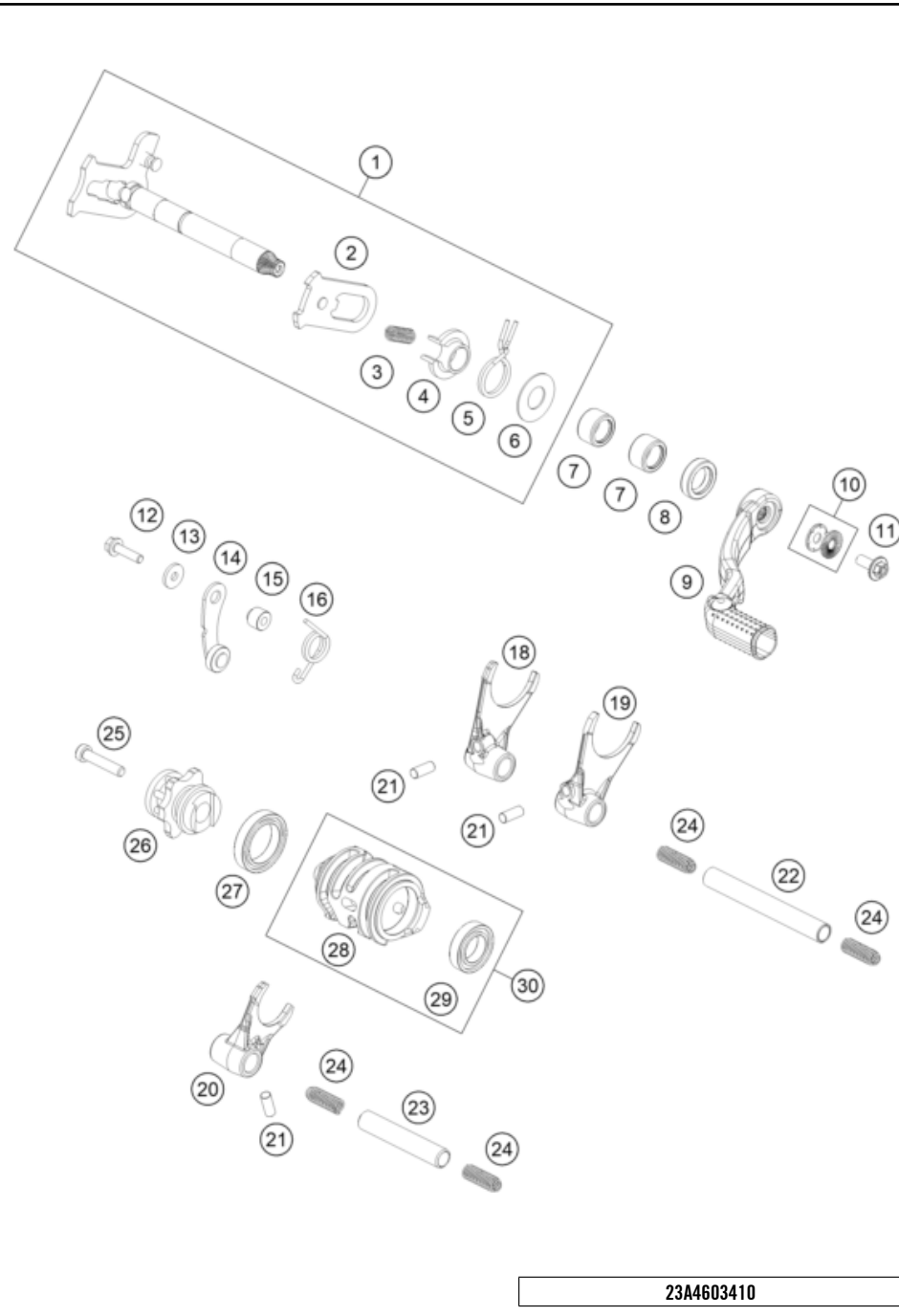
60273

\* NEW PART

X ON DEMAND

# SHIFTING MECHANISM

Engine 125 SX/XC 2023



POS	PARTNUMBER	PARTNAME	PIECE
1	50534005044	Shift shaft cpl.	1
2	61234008044	SLIDING PLATE	1
3	56534013100	TENSIONING SPRING 0,8MM	1
4	54634020000	SPRING GUIDE	1
5	54834014000	RETURN SPRING 03	1
6	54634050000	STOP DISK 14X30X1	1
7	54632095000	needle sleeve HK 1412 14x20x12	2
8	0760142460	radial shaft seal 14x24x6 B	1
9	50434031000	SHIFT LEVER CPL.	1
10	50233041500	PAIR NORDLOCK WASHER M6	1
11	0024060156S	HH collar screw M6x15 TX30	1
12	0025050256S	HH collar screw M5x25 TX30	1
13	0021050003	washer DIN 9021 A - 5.3	1
14	A46034024044	Detent arm cpl.	1
15	54634052300	SLEEVE FOR LOCKING LEVER	1
16	54834023000	LOCKING LEVER SPRING 03	1
18	50434003000	SHIFTING FORK 1ST/3RD GEAR	1
19	50534002000	shifting fork 2/4 gear	1
20	50434001000	SHIFTING FORK 5/6 GEAR	1
21	0402061480	NEEDLE ROLLER DIN5402 6X14,8	3
22	A46034020000	Shift fork shaft (L=66 mm)	1
23	A46034019000	Shift fork shaft (L=93 mm)	1
24	58038023400	Compression spring L=25mm D=0.9mm	4
25	0012060303S	Cap head screw M6x30-8.8	1
26	A46034015000	Shift star cpl.	1
27	0625618050	BALL BEARING 61805 C3	1
28	A42034012000	Shift drum	1
29	0625069034	BALL BEARING 6903 C4	1
30	A46034005033	Shift shaft cpl.	1

23A4603410

60277

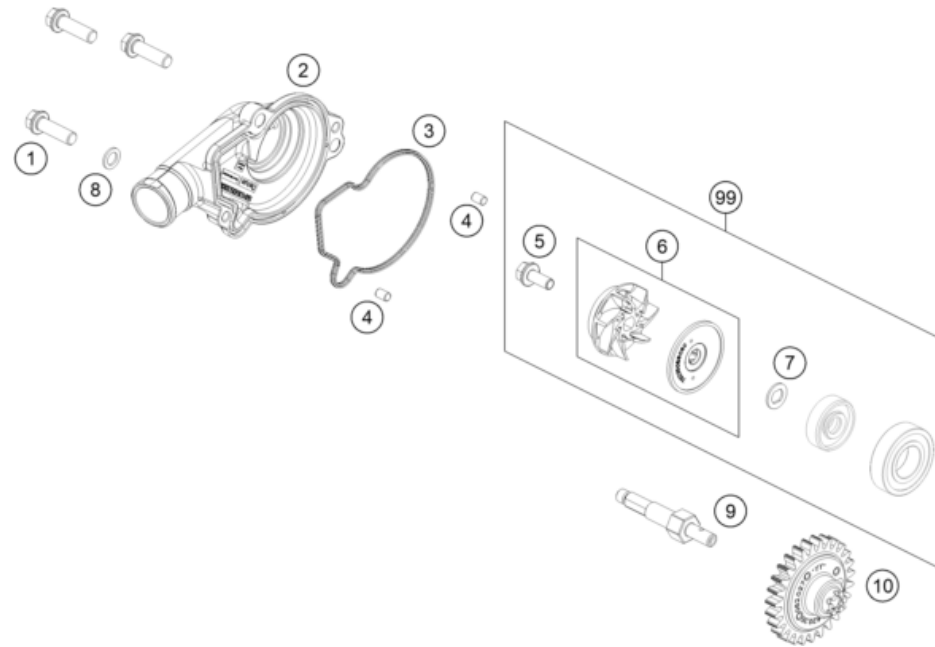
\* NEW PART

X ON DEMAND



# WATER PUMP

Engine 125 SX/XC 2023



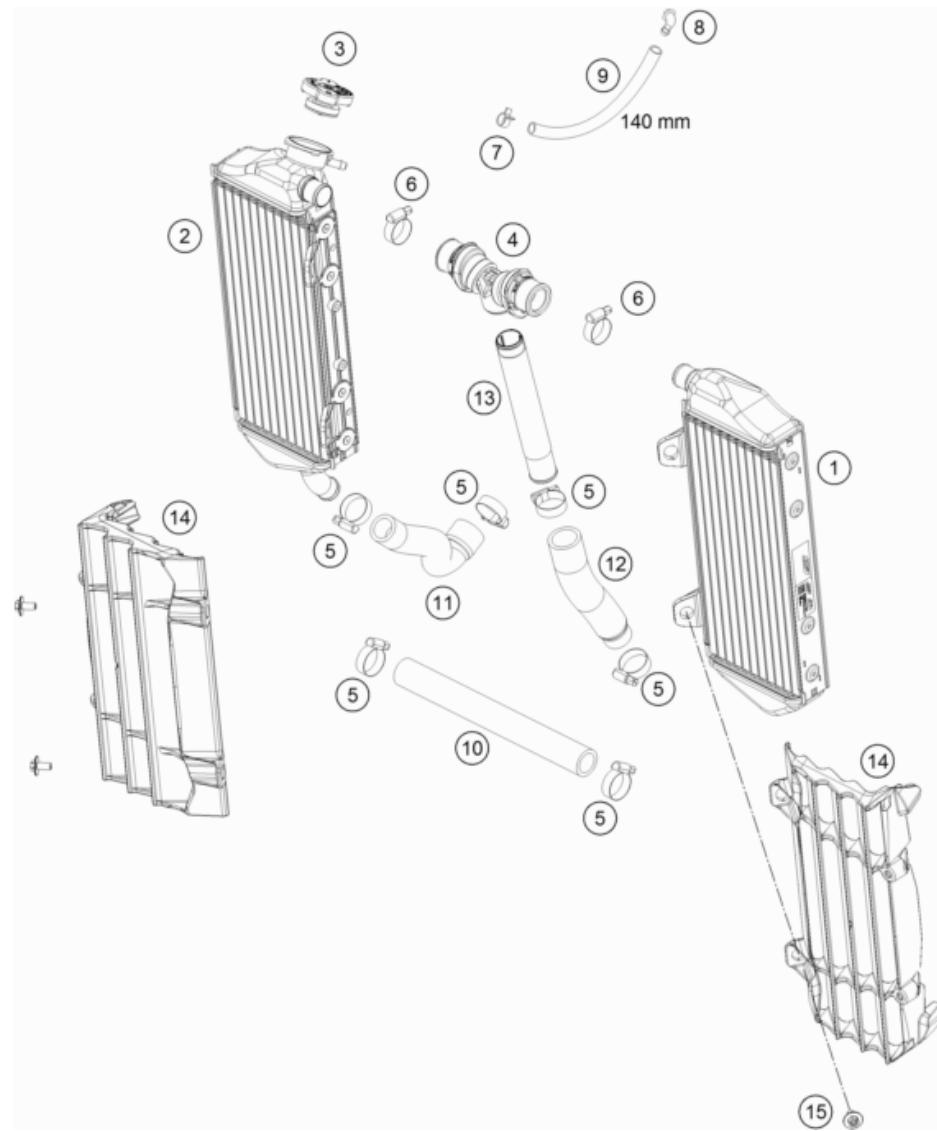
POS	PARTNUMBER	PARTNAME	PIECE
1	0025060206	HH collar screw M6x20 TX30	3
2	50435052000	WATER PUMP COVER	1
3	50435053000	GASKET WATER PUMP COVER	1
4	0402040600	NEEDLE ROOLER DIN5402 NRB 4X6	2
5	0014050123	HH COLLAR SCREW M 5X12 WS=6	1
6	79235055044	WATER PUMP WHEEL CPL.	1
7	50435049000	PREFORMED WASHER	1
8	0603061001	CU-SEAL RING DIN7603-6X10X1	1
9	A44035054000	Water pump shaft	1
10	A42035062027	Drive gear wheel	1
99	50435055015	WATER PUMP REP. KIT	x

23A4603510

60270

\* NEW PART

X ON DEMAND



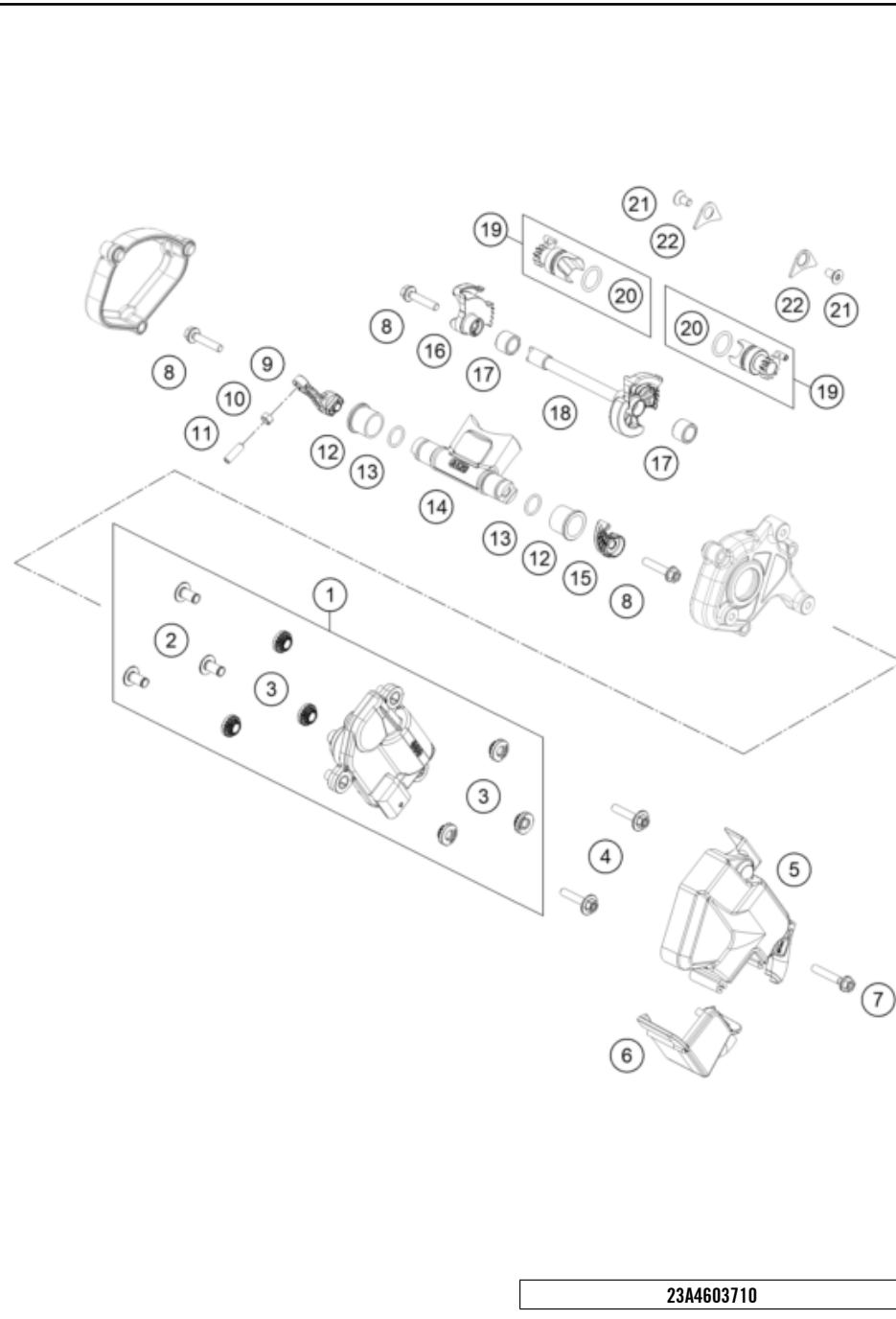
POS	PARTNUMBER	PARTNAME	PIECE
1	50535007100	Radiator, left 19	1
2	50535008100	Radiator right	1
3	79035016000	RADIATOR CAP 1,8 BAR	1
4	79135071044	Y-hose cpl.	1
5	10001020300	hose clamp 18-29	6
6	42013037400	HOSE CLAMP NORMA 14/24	2
7	59007017000	CLAMP YDNAC 10096F (9,6MM)	1
8	50303089000	ANGLE PIECE '97	1
9	50335030001	PVC-HOSE 6X9	x
10	56535025001	RADIATOR HOSE 18X25 PER METRE	1
11	50535027000	preformed hose	1
12	50535026000	Pre-formed hose, Y-piece	1
13	79135073000	threaded bushing	1
14	7913503400030	radiator protector le/ri black	2
15	0024060123	COLLAR SCREW M6X12 TX	4

195053530

52177

\* NEW PART

X ON DEMAND



POS	PARTNUMBER	PARTNAME	PIECE
1	A45041072033	Actuator compl.	1
2	A45041072010	Actuator bushing	3
3	A45041072005	Damper actuator	6
4	0000240502500S	HH collar screw, M5x25, ISA 30	2
5	A42037096000	Actuator protection cap	1
6	A42037096020	Actuator protection cap	1
7	0025050306	HH COLLAR SCREW M5X30 TX30	1
8	0025050256S	HH collar screw M5x25 TX30	3
9	A42037057000	Control lever	1
10	0934050040	Nut M5 SW7	1
11	0913050160	Grub screw M5x16 with AH	1
12	50437023100	exhaust flap bushing	2
13	07700120151	O-ring 12x1.5 FPM75	2
14	A42037020000	Control flap	1
15	A42037080000	Control flap lever	1
16	A42037065000	Control gate right	1
17	0618101410	needle sleeve HK 1010 10x14x10	2
18	A42037070033	Idler shaft compl.	1
19	A42037063000	Power valve	2
20	0770140201	O-RING 14X2 FPM 75SH	2
21	0019050106S	hex lobe countersunc screw M5x10 - 10.9	2
22	75030085100	Retaining bracket crankshaft bearing	2

23A4603710

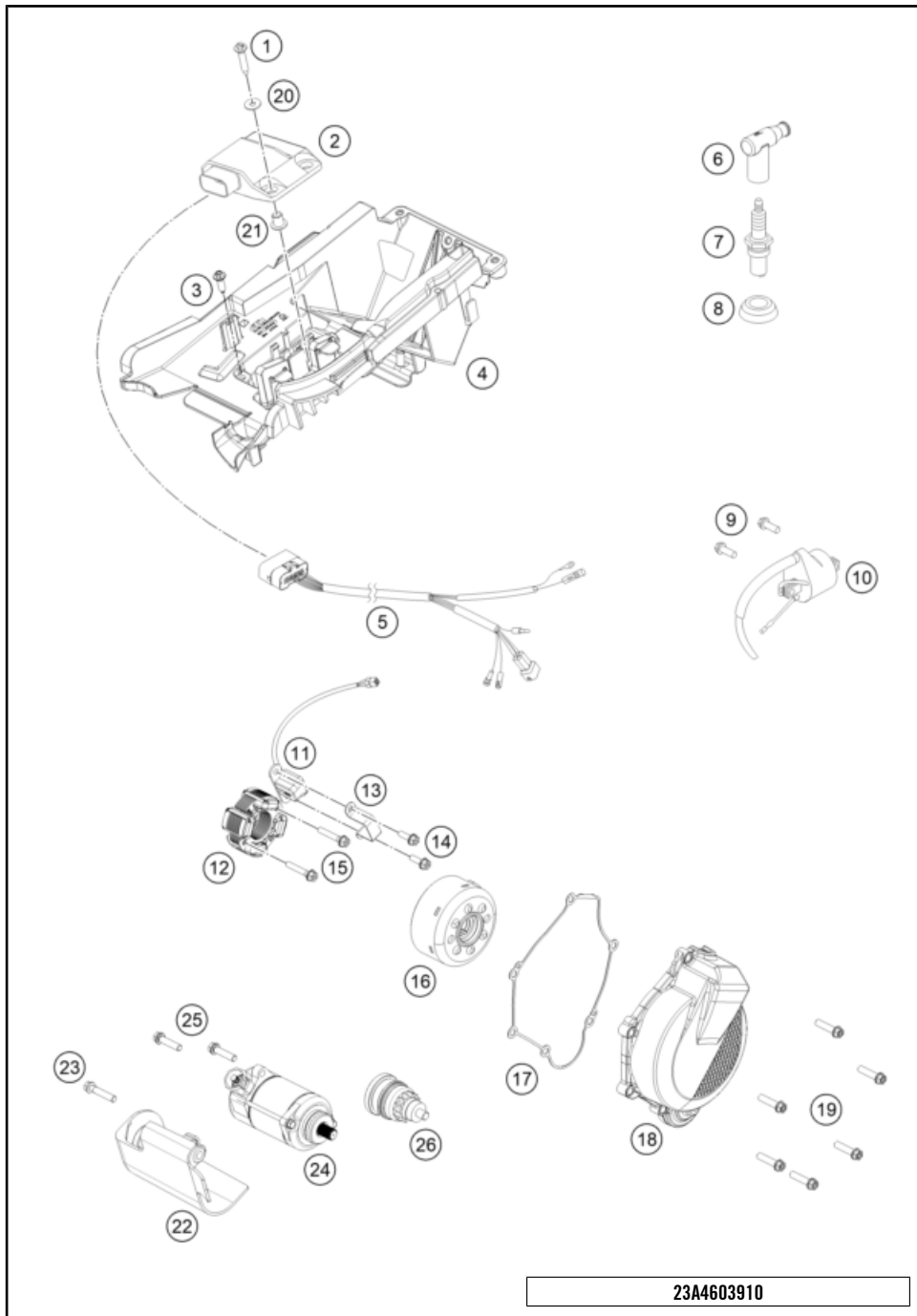
60259

\* NEW PART

X ON DEMAND

# IGNITION SYSTEM

Engine 125 SX/XC 2023



POS	PARTNUMBER	PARTNAME	PIECE
1	0017060305	SPECIAL SCREW K60X30 WS=6	2
2	50539031000	CDI control unit 125 19	1
3	0017060206	SCREW F. PLASTIC K60X20AL SW6	1
4	79111055000	Battery box	1
5	54839032200	WIRING HARNESS FOR CDI 2-ST.07	1
6	47039090000	SPARK PLUG CAP NGK REINFORC.04	1
7	47039093000	SPARK PLUG	1
8	51739091000	Sealing boot	1
9	0026060186	COLLAR SCREW M6X18 ISA30	2
10	59039006000	IGNITIONCOIL "IG5128"	1
11	55539034000	Pulse generator compl.	1
12	50439004000	STATOR	1
13	50439004010	PICKUP BRACKET	1
14	0014050163	HH COLLAR SCREW M 5X16 WS=6	2
15	0912050253	AH SCREW DIN0912-M 5X25	2
16	50439005000	ROTOR	1
17	A42030040000	Ignition cover gasket	1
18	A42030002044C1	Ignition cover compl.	1
19	0025060206	HH collar screw M6x20 TX30	6
20	0021050003	washer DIN 9021 A - 5.3	2
21	60308006000	COLLAR BUSHING 6,2X9,2X15X12,5	2
22	A42040040000	Starter motor cover	1
23	0025060306	HH collar screw M6x30 TX30	1
24	A42040001000	Starter motor	1
25	0025060256	HH collar screw M6x25 TX30	2
26	50440026000	BENDIX	1

23A4603910

60264

\* NEW PART

X ON DEMAND

A large, empty rectangular box with a thin black border, occupying the majority of the page. It is intended for the user to write notes related to the engine specifications mentioned in the header.

A large, empty rectangular box with a thin black border, occupying the majority of the page. It is intended for the user to write notes related to the engine specifications mentioned in the header.



# KTM.COM



081521WEN

KTM Sportmotorcycle GmbH  
5230 Mattighofen, Austria  
[www.ktm.com](http://www.ktm.com)

**KTM** POWERPARTS

**KTM** POWERWEAR

**KTM** ORIGINAL SPARE PARTS

