

Engine 250 EXC TPI 2022 2022

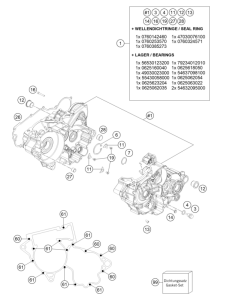
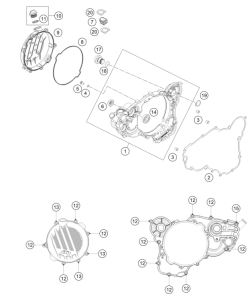
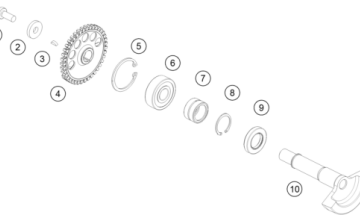
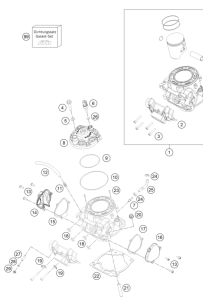
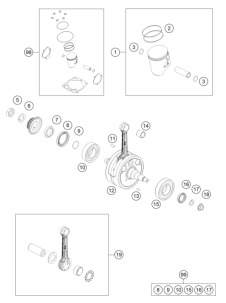
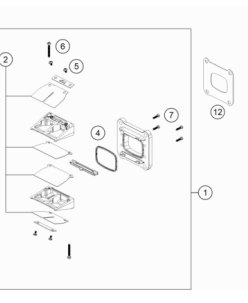
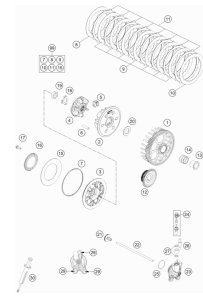
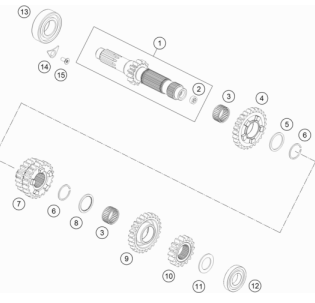
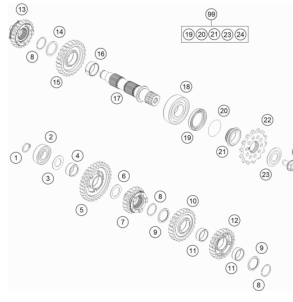

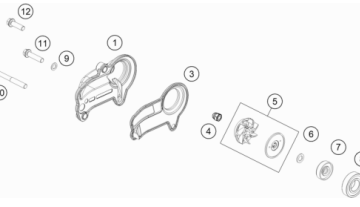
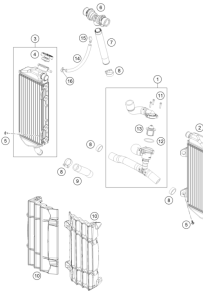
ART.-NR.: 083688VEN







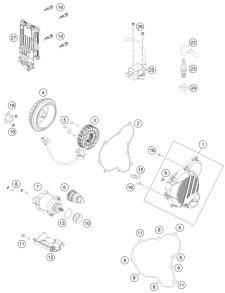
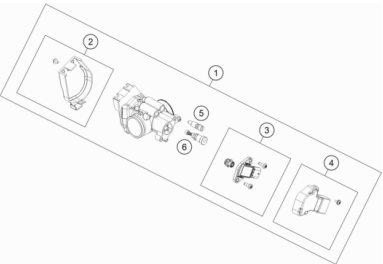
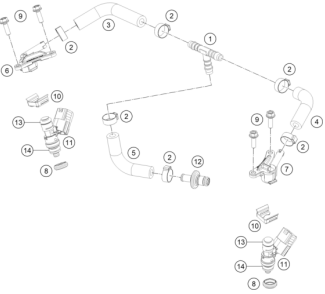
All information contained is without obligation. KTM Sportmotorcycle GmbH particularly reserves the right to modify any equipment, technical specifications, prices, colors, shapes, materials, services, service work, constructions, equipment and the like so as to adapt them to local conditions or to cancel any of the above items, all without previous announcement and without giving reasons. KTM may stop manufacturing certain models without previous notice. KTM shall not be held liable for any deviations of availability and/or ability to deliver, illustrations, descriptions, printing and/or other errors. The illustrated models partly contain extra equipment, which is not applied to standard models.

© by KTM Sportmotorcycle GmbH, Mattighofen AUSTRIA; All rights reserved; Reprint, also in extracts, with written allowance of KTM Sportmotorcycle GmbH, Mattighofen only.

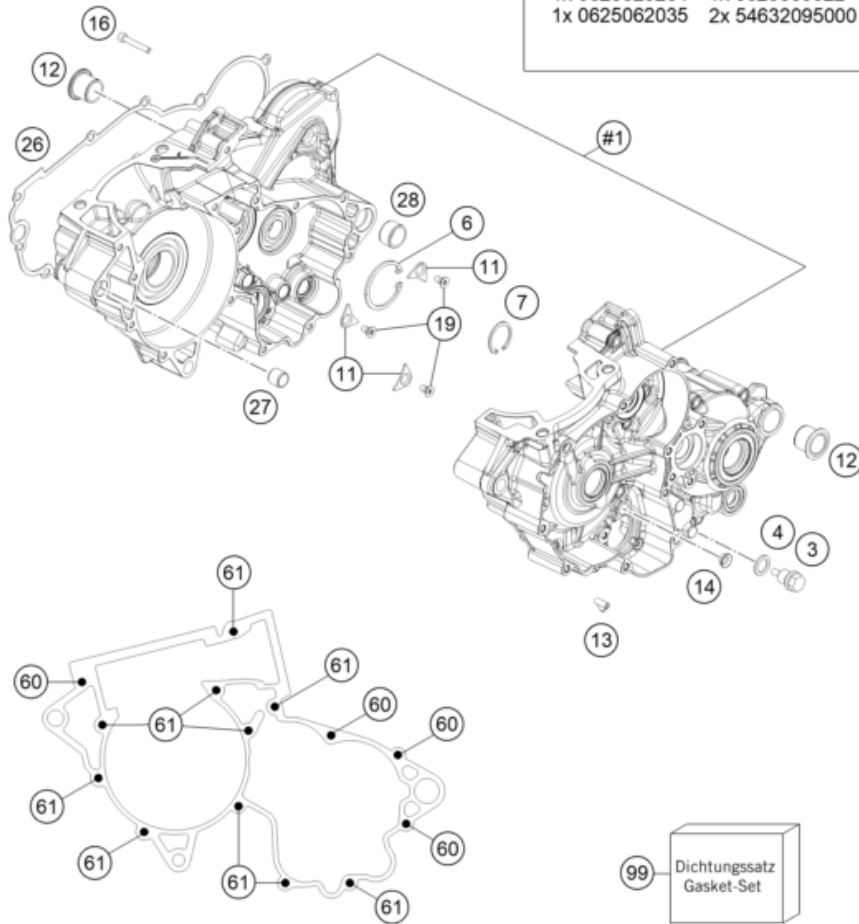
| | | | |
|---|---|--|--|
| <p>ENGINE CASE</p>  <p>3</p> | <p>CLUTCH COVER</p>  <p>4</p> | <p>BALANCER SHAFT</p>  <p>5</p> | <p>CYLINDER, CYLINDER HEAD</p>  <p>6</p> |
| <p>CRANKSHAFT, PISTON</p>  <p>7</p> | <p>REED VALVE CASE</p>  <p>8</p> | <p>CLUTCH</p>  <p>9</p> | <p>TRANSMISSION I - MAIN SHAFT</p>  <p>10</p> |
| <p>TRANSMISSION II - COUNTERSHAFT</p>  <p>11</p> | <p>SHIFTING MECHANISM</p>  <p>12</p> | <p>WATER PUMP</p>  <p>13</p> | <p>COOLING SYSTEM</p>  <p>14</p> |

CONTENT

Engine 250 EXC TPI 2022 2022

| | | | |
|---|---|--|--|
| <p>EXHAUST CONTROL</p>  <p>15</p> | <p>LUBRICATING SYSTEM</p>  <p>17</p> | <p>IGNITION SYSTEM</p>  <p>18</p> | <p>THROTTLE BODY</p>  <p>19</p> |
| <p>FUEL DISTRIBUTOR</p>  <p>20</p> | | | |
| | | | |

| | | | | | |
|---------------------------------------|----------------|----|----|----|----|
| #1 | 3 | 4 | 11 | 12 | 13 |
| 14 | 16 | 19 | 27 | 28 | |
| + WELLENDICHTRINGE / SEAL RING | | | | | |
| 1x 0760142460 | 1x 47030076100 | | | | |
| 1x 0760253570 | 1x 0760324571 | | | | |
| 1x 0760385273 | | | | | |
| + LAGER / BEARINGS | | | | | |
| 1x 56530123200 | 1x 79234012010 | | | | |
| 1x 0625160040 | 1x 0625618050 | | | | |
| 1x 49030023000 | 1x 54637098100 | | | | |
| 1x 55430058000 | 1x 0625062054 | | | | |
| 1x 0625623204 | 1x 0625063022 | | | | |
| 1x 0625062035 | 2x 54632095000 | | | | |



| POS | PARTNUMBER | PARTNAME | PIECE |
|-----|-------------|---|-------|
| 1 | 55530100144 | Engine case cpl. | 1 |
| 3 | 58030021000 | OILDRAIN PLUG W.MAG. M 12X1,5 | 1 |
| 4 | 58038022000 | CU-SEAL RING DIN7603-12X18X1,5 | 1 |
| 6 | 0472042175 | CIRCLIP DIN0472-42X1,75 | 1 |
| 7 | 55430059100 | CIRCLIP DIN0472-28X1,2 | 1 |
| 11 | 75030085000 | RETAINING PLATE F. CS BEARING | 3 |
| 12 | 79230010000 | CASE BUSH | 2 |
| 13 | 45130022000 | ANGLE PIECE 50CCM LC 2001 | 1 |
| 14 | 55540031000 | Collar bushing | 1 |
| 16 | 0912060406 | AH SCREW DIN0912 M 6X40 | 1 |
| 19 | 0019050106S | hex lobe countersunc screw M5x10 - 10.9 | 3 |
| 26 | 55430025100 | CLUTCH COVER GASKET INSIDE | 1 |
| 27 | 54630027000 | DOWEL BUSHING 13,8X11X12 | 1 |
| 28 | 54830027100 | Dowel, 21x12 | 1 |
| 60 | 0025060606 | HH collar screw M6x60 TX30 | 4 |
| 61 | 0025060456 | HH COLLAR SCREW M6X45 TX30 | 10 |
| 99 | 55530199000 | Gasket Kit Engine 250/300 2021 | x |

215553011

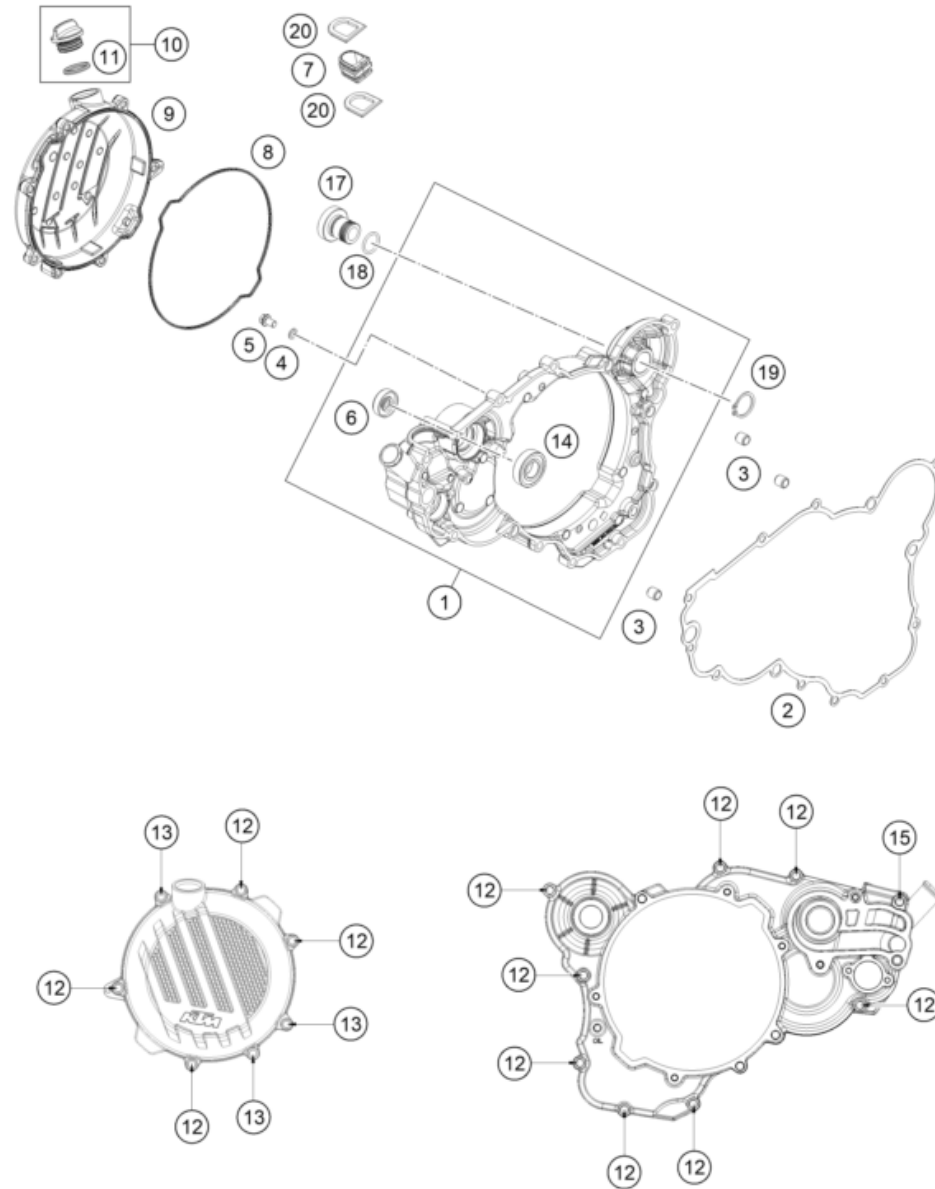
54567

* NEW PART

X ON DEMAND

CLUTCH COVER

Engine 250 EXC TPI 2022 2022



| POS | PARTNUMBER | PARTNAME | PIECE |
|-----|---------------|-------------------------------|-------|
| 1 | 55530101044 | Inner clutch cover cmpl. | 1 |
| 2 | 55430025100 | CLUTCH COVER GASKET INSIDE | 1 |
| 3 | 49030090100 | DOWEL 9,8 X7X10 | 3 |
| 4 | 0603061001 | CU-SEAL RING DIN7603-6X10X1 | 1 |
| 5 | 0025060106 | HH collar screw M6x10 TX30 | 1 |
| 6 | 0760082472 | SHAFT SEAL RING 8X24X7 A DUO | 2 |
| 7 | 54837091100 | SEALING CARRIER 07 | 1 |
| 8 | 55430027000 | CLUTCH COVER GASKET OUTSIDE | 1 |
| 9 | 5543002610015 | Clutch cover | 1 |
| 10 | 79430020033 | OIL FILLER CAP M24x3 WITH O-R | 1 |
| 11 | 0770191015 | O-RING 19,00X3,00 NBR | 1 |
| 12 | 0025060206 | HH collar screw M6x20 TX30 | 12 |
| 13 | 0025060606 | HH collar screw M6x60 TX30 | 3 |
| 14 | 0625160020 | BALL BEARING 16002 C3 | 1 |
| 15 | 0025060406 | HH collar screw M6x40 TX30 | 1 |
| 17 | 83033056100 | KICK STARTER PLUG | 1 |
| 18 | 0770140200 | O-RING 14,00X2,00 | 1 |
| 19 | 0471190120 | CIRCLIP DIN0471-19X1,2 | 1 |
| 20 | 54637107000 | SEALING ELEMENT BOTTOM | 2 |

205553021

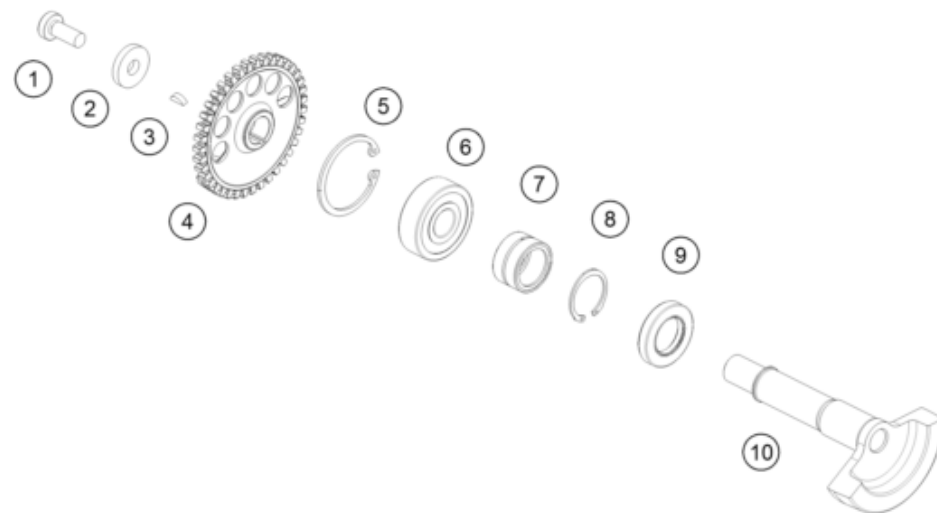
52686

* NEW PART

X ON DEMAND

BALANCER SHAFT

Engine 250 EXC TPI 2022 2022



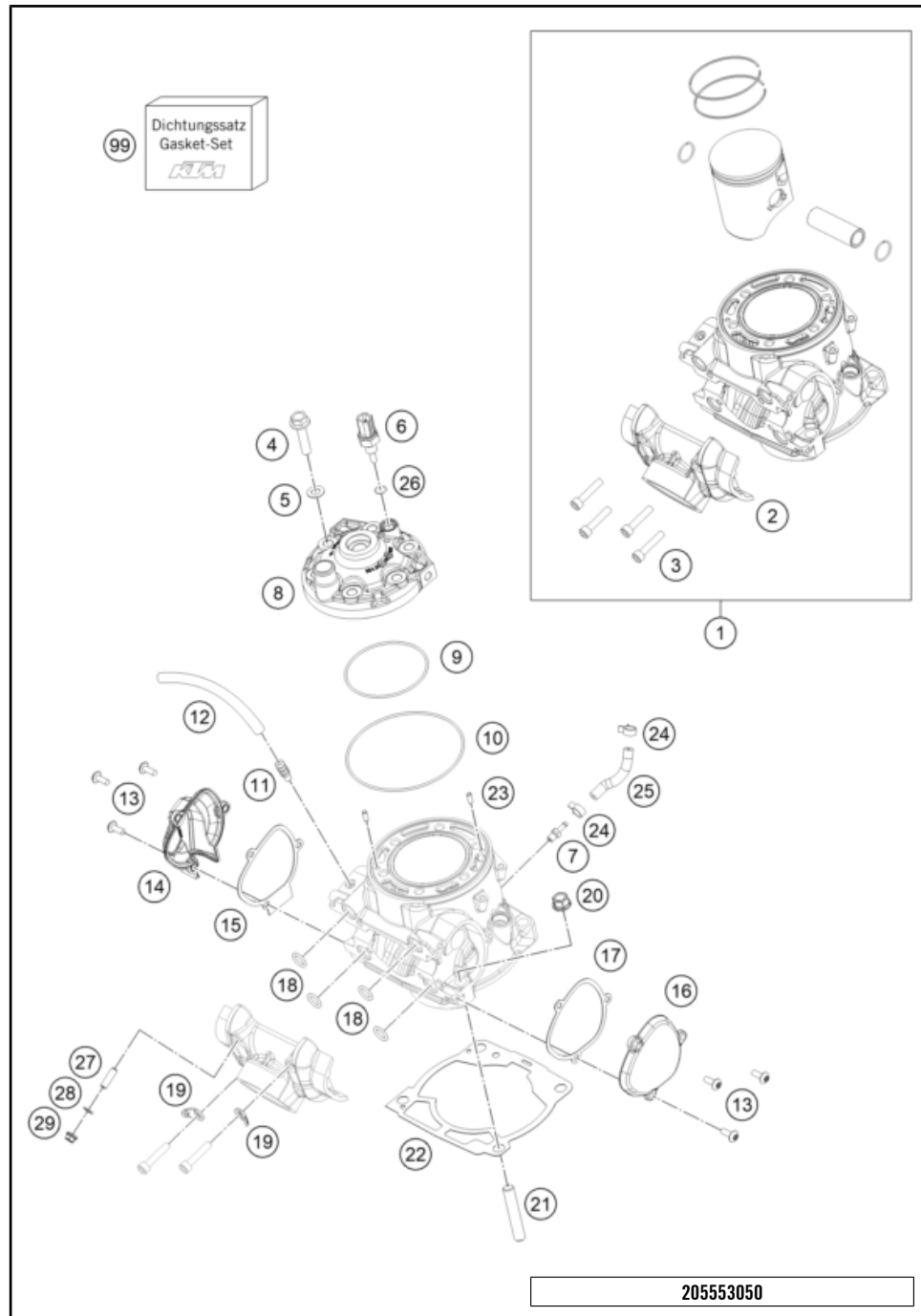
| POS | PARTNUMBER | PARTNAME | PIECE |
|-----|-------------|------------------------------|-------|
| 1 | 0035080206S | SHCS M8x20 TX45 | 1 |
| 2 | 0340084234 | WASHER DIN 6340 8,4X23X4 | 1 |
| 3 | 0888030037 | WOODRUFF KEY DIN6888-3X3,7 | 1 |
| 4 | 55430056000 | AGW-GEAR WHEEL | 1 |
| 5 | 0472042175 | CIRCLIP DIN0472-42X1,75 | 1 |
| 6 | 0625063022 | GROOVED BALL BEARING 6302 C3 | 1 |
| 7 | 55430058000 | NEEDLE BEARING NK20X16XL | 1 |
| 8 | 55430059100 | CIRCLIP DIN0472-28X1,2 | 1 |
| 9 | 47030076100 | SEAL SHAFT RING 20X35X6 BTSL | 1 |
| 10 | 55430057100 | BALANCER SHAFT | 1 |

175543030

18075

* NEW PART

X ON DEMAND



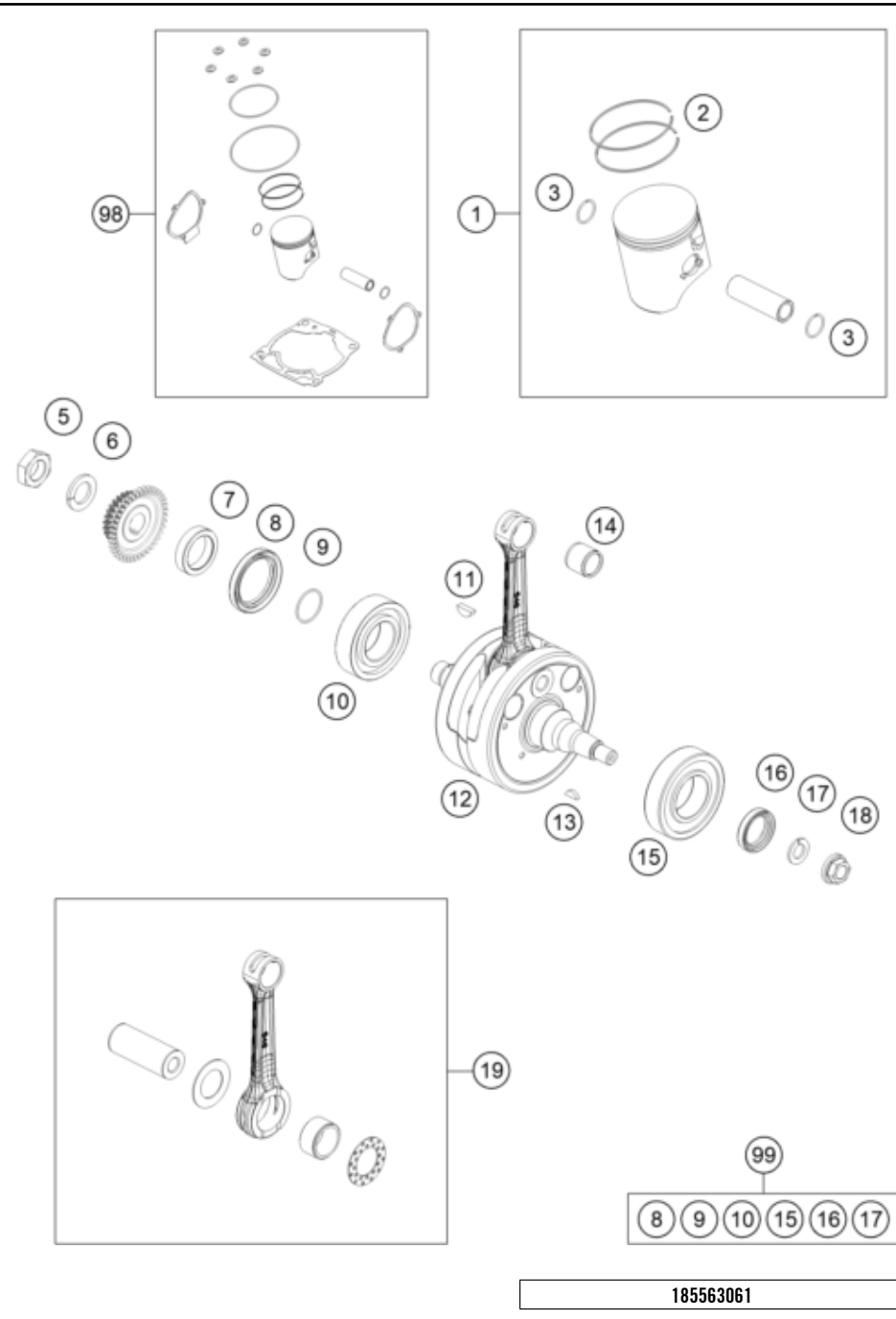
205553050

| POS | PARTNUMBER | PARTNAME | PIECE |
|-----|---------------|-----------------------------------|-------|
| 1 | 55530138100 | Cylinder + Piston 250 Enduro 2021 | 1 |
| 2 | 55537301000 | Intermediate flange | 1 |
| 3 | 0912060353 | AH SCREW DIN0912-M 6X35 | 4 |
| 4 | 54830079000 | COLLAR SCREW M 8X35 WS=13 | 6 |
| 5 | 56530080000 | CU-SEAL RING 8 X 16 X 1 | 6 |
| 6 | 79435047000 | water temperature sensor | 1 |
| 7 | 55430023000 | Vacuum connection | 1 |
| 8 | 55430106200 | Cylinder head 250 EXC | 1 |
| 9 | 0770730020 | O-RING 73,00X2,00 VITON | 1 |
| 10 | 0770105020 | O-ring 105x2 | 1 |
| 11 | 78036020090 | VACUUM CONNECTION M6 | 1 |
| 12 | 78015019001 | HOSE EPA D=6/10 PER METER | 1 |
| 13 | 58605083014 | SCREW M5X14 TORX 25 07 | 6 |
| 14 | 5483700710015 | Exhaust control cover rh | 1 |
| 15 | 55537008000 | Gasket control cover, right | 1 |
| 16 | 5483700500015 | CONTROL COVER L/S 09 | 1 |
| 17 | 55537006000 | Gasket control cover, left | 1 |
| 18 | 0770116241 | O-RING 11,3 X2,4 SILICON | 4 |
| 19 | 51005074000 | RETAINING PLATE | 2 |
| 20 | 55530044000 | Collar nut M10-SW13 ZnNi | 4 |
| 21 | 0835100353 | Stud M10x35 | 4 |
| 22 | 55430030020 | CYLINDER BASE GASKET | x |
| 22 | 55430030025 | CYLINDER BASE GASKET | x |
| 22 | 55430030030 | Cylinder base gasket | 1 |
| 22 | 55430030040 | CYLINDER BASE GASKET | x |
| 22 | 55430030050 | CYLINDER BASE GASKET | x |
| 22 | 55430030075 | CYLINDER FOOT GASKET | x |
| 23 | 0402040980 | NEEDLE ROL.DIN5402 NRB 4X9,8 | 2 |
| 24 | 59007017000 | CLAMP YDNAC 10096F (9,6MM) | 2 |
| 25 | 61041095075 | tube 3,2x9.0 L=75mm | 1 |
| 26 | 0770100020 | o-ring 10.00x2.00 silicone | 1 |
| 27 | 0913060203 | THREAD PIN DIN0913-M 6X20 | 1 |
| 28 | 0603061001 | CU-SEAL RING DIN7603-6X10X1 | 1 |
| 29 | 77336088106 | COLLAR NUT M6X1 SW8 | 1 |
| 99 | 55430097000 | Gasket set piston 250/300 | x |

54571

* NEW PART

X ON DEMAND



| POS | PARTNUMBER | PARTNAME | PIECE |
|-----|----------------|--------------------------------|-------|
| 1 | 55430007000 I | Piston cpl. I | 1 |
| 1 | 55430007000 II | Piston cpl. II | 1 |
| 2 | 54830232000 | TRAPEZOID RING 250 66,4 MM | 2 |
| 3 | 54030074000 | WIRE LOCK RING C18X1,5 | 2 |
| 5 | 54630029000 | HEX.NUT L/SH M18X1,5 | 1 |
| 6 | 58132072000 | LOCK WASHER VSK 18 | 1 |
| 7 | 55430016000 | DISTANCE SLEEVE | 1 |
| 8 | 0760385273 | SHAFT SEAL RING 38X52X7BTSL | 1 |
| 9 | 0770250015 | O-RING 25,00X1,50 NBR 70 | 1 |
| 10 | 0625623204 | BALL BEARING 32X65X17 NTN | 1 |
| 11 | 6946005 | WOODRUFF KEY 5X6,5 HARDED | 1 |
| 12 | 55430118100 | CRANKSHAFT EXC | 1 |
| 13 | 0888030050 | WOODRUFF KEY DIN6888-3X5X13 | 1 |
| 14 | 54430034000 | NEEDLE BEARING KBK 18X22X20 | 1 |
| 15 | 56530123200 | CYLIND.ROL.BEAR. NJ207ET2XCS42 | 1 |
| 16 | 0760253570 | SHAFT SEAL RING 25X35X7 BTSL | 1 |
| 17 | 50230029012 | LOCKING RING VSK 12 | 1 |
| 18 | 49030021000 | COLLAR NUT M12X1 R/S | 1 |
| 19 | 54830015244 | CON.ROD REP.SET 250/300 | x |
| 98 | 00050000261 | PISTON KIT GR.I 250 MX/Enduro | x |
| 98 | 00050000262 | PISTON KIT GR.II 250 MX/Enduro | x |
| 99 | 00050002301 | CRANKSHAF REP. KIT 250-300 | x |

185563061

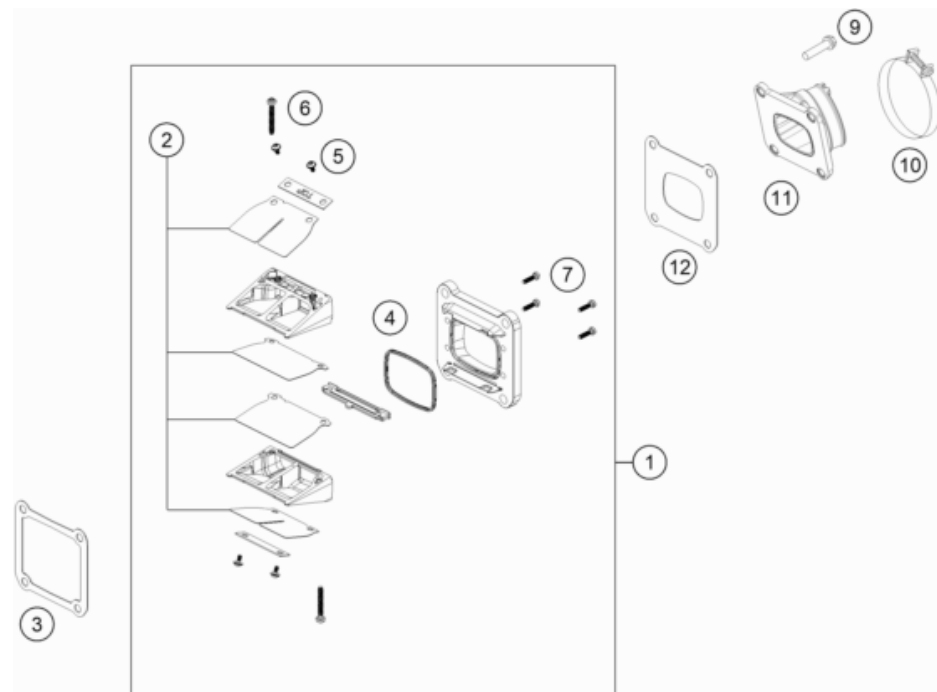
52689

* NEW PART

X ON DEMAND

REED VALVE CASE

Engine 250 EXC TPI 2022 2022



| POS | PARTNUMBER | PARTNAME | PIECE |
|-----|-------------|----------------------------|-------|
| 1 | 50530051044 | Reed Valve Case cpl. | 1 |
| 2 | 50530152044 | Reed Valve Set | 1 |
| 3 | 50430098050 | GASKET REED VALVE CASE | 1 |
| 4 | 54830153050 | GASKET SUPPORTING PLATE | 1 |
| 5 | 00810300553 | EJOT DELTA PT SCREW 30X5,5 | 4 |
| 6 | 0081035253 | EJOT DELTA PT SCREW 35X25 | 2 |
| 7 | 0081030124 | EJOT DELTA PT SCREW 30X12 | 4 |
| 9 | 0025060256 | HH collar screw M6x25 TX30 | 4 |
| 10 | 54330061000 | CLAMP 52/12 GEMI | 1 |
| 11 | 50430050000 | INTAKE FLANGE | 1 |
| 12 | 50430098060 | GASKET INTAKE FLANGE | 1 |

205553070

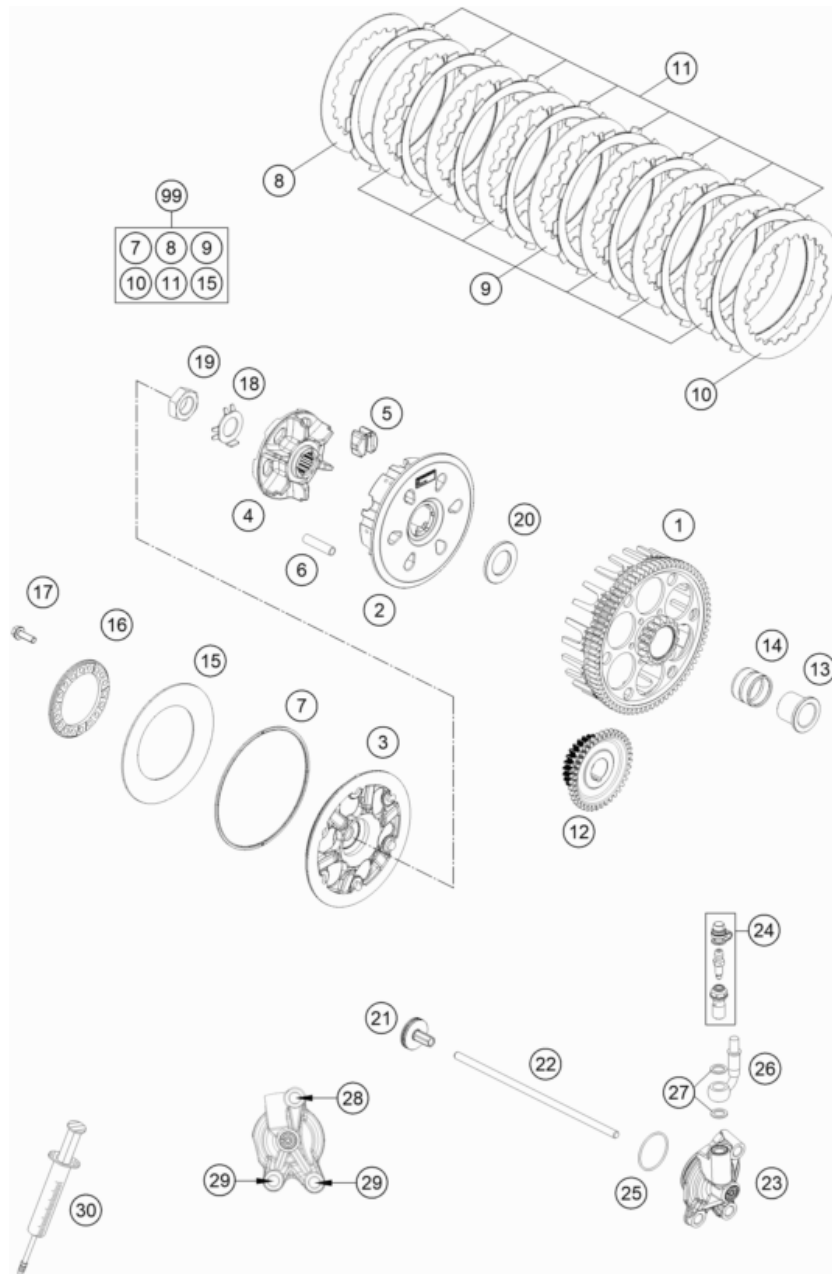
52842

* NEW PART

X ON DEMAND

CLUTCH

Engine 250 EXC TPI 2022 2022



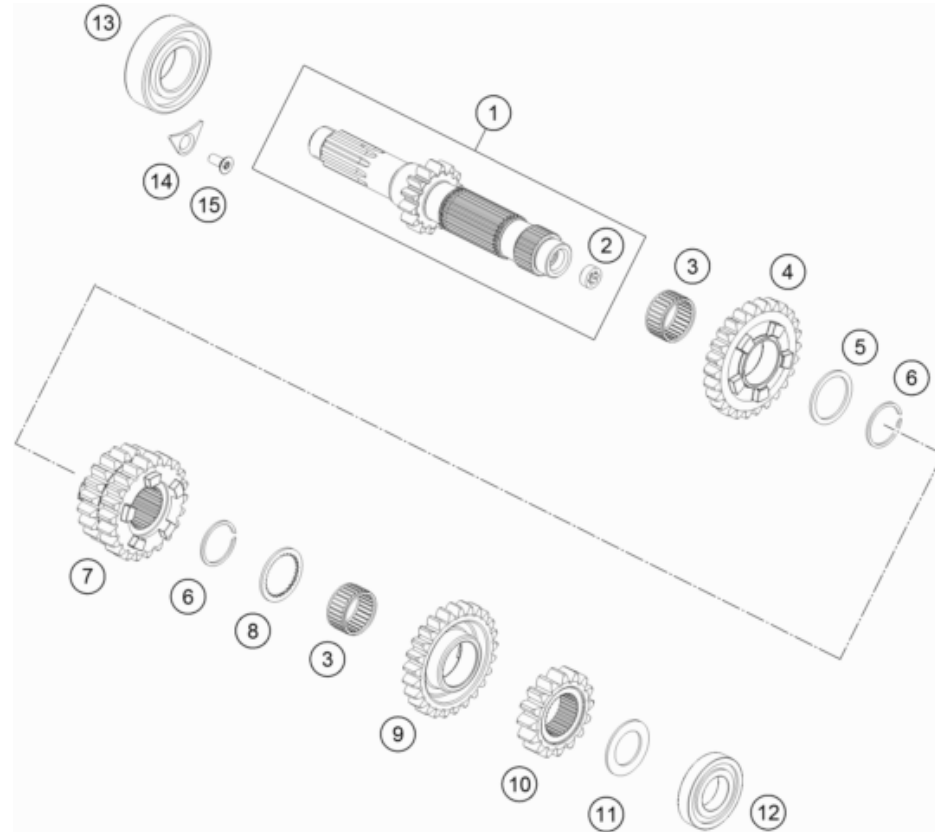
| POS | PARTNUMBER | PARTNAME | PIECE |
|-----|----------------|--------------------------------|-------|
| 1 | 79232201073 | CLUTCH BASKET EXC | 1 |
| 2 | 78132002400 | Inner clutch hub | 1 |
| 3 | 79432003100 | Clutch pressure plate | 1 |
| 4 | 78132002211 | Clutch center | 1 |
| 5 | 78132025100 | DAMPING RUBBER | 6 |
| 6 | 77232004000 | DRIVING SLEEVE D=7,95 L=38 | 6 |
| 7 | 78132013000 | WASHER 112X118X1.5 | 1 |
| 8 | 59032010100 | INTERMEDIATE DISC 1MM 2002 | 1 |
| 9 | 59032010200 | INTERMEDIATE DISC 1,4MM 2002 | 7 |
| 10 | 78932010000 | INTERMEDIATE DISC 1MM | 1 |
| 11 | 54832011100 | LINING DISC 1,95 MM | 8 |
| 12 | 55432024026 | PRIMARY GEAR | 1 |
| 13 | 77232015000 | INNER RING | 1 |
| 14 | 56532095000 | NEEDLE BEARING K26X30X22ZW.KSE | 1 |
| 15 | 78132005000 | BELLEVILLE SPRING 71X115X1,5 I | 1 |
| 16 | 78132006200 | Spring retainer | 1 |
| 17 | 0025050166 | HH collar screw M5x16 TX30 | 6 |
| 18 | 78132018000 | TAB WASHER | 1 |
| 19 | 0910001801000S | Nut M18x1.5 Precote | 1 |
| 20 | 77232009000 | WASHER 21,8 X 37 X 5,1 | 1 |
| 21 | 78032057044 | PRESSURE PIECE CPL. 08 | 1 |
| 22 | 79232054000 | PUSH ROD | 1 |
| 23 | 79232061044 | OUTPUT CYLINDER CPL. | 1 |
| 24 | 79032064000 | BLEEDER SCREW CPL. | 1 |
| 25 | 0770300015 | O-RING 30,00X1,50 NBR 70 | 1 |
| 26 | 79232063000 | CLUTCH PIPE | 1 |
| 27 | 0603082121 | SEAL RING CU DIN7603- 8X12X1 | 2 |
| 28 | 0025060256 | HH collar screw M6x25 TX30 | 1 |
| 29 | 0025060166 | HH collar screw M6x16 TX30 | 2 |
| 30 | 50329050000 | VENT INJEKTION HYDR. CLUTCH | 1 |
| 99 | 54832011110 | CLUTCH KIT 250/300 13-15 | x |

205553210

56718

* NEW PART

X ON DEMAND



| POS | PARTNUMBER | PARTNAME | PIECE |
|-----|-------------|--------------------------------|-------|
| 1 | 79333101000 | Main shaft, cpl. | 1 |
| 2 | 78033001110 | BUSHING | 1 |
| 3 | 0405222613 | NEEDLE BEAR. K 22X26X13 TN | 2 |
| 4 | 79333306000 | Idler gear, 6th gear, teeth=26 | 1 |
| 5 | 54833044000 | STOP DISC 25X31X1,5 | 1 |
| 6 | 0417024000 | CIRCLIP WS24 | 2 |
| 7 | 79233103100 | Sliding gear 3rd/4th., t=20/22 | 1 |
| 8 | 54833043000 | STOP DISC 25X0,8X30X30X7H | 1 |
| 9 | 79333105000 | Idler gear, 5th gear, teeth=25 | 1 |
| 10 | 79333102000 | Fixed gear, 2nd gear, teeth=16 | 1 |
| 11 | 77233015000 | DISK 20,2X32X1,3 | 1 |
| 12 | 0625160040 | GROOVED BALL BEAR. TM 16004 C3 | 1 |
| 13 | 0625062054 | BALL BEARING 6205 C3 NTN | 1 |
| 14 | 75030085000 | RETAINING PLATE F. CS BEARING | 1 |
| 15 | 0019050121S | INT. TORX FLAT HEAD M5X12 T25 | 1 |

175543331

52692

* NEW PART

X ON DEMAND

TRANSMISSION II - COUNTERSHAFT

Engine 250 EXC TPI 2022 2022



| POS | PARTNUMBER | PARTNAME | PIECE |
|-----|-------------|--|-------|
| 1 | 0471170015 | CIRCLIP DIN 0471-17X1, 5 | 1 |
| 2 | 0625062035 | BALL BEARING 6203 JR2 C3 | 1 |
| 3 | 77233020000 | STOP DISK 17,2X30X1,3 | 1 |
| 4 | 0405202612 | NEEDLE BEARING K 20X26X12 | 2 |
| 5 | 54833211100 | Idler gear 1.G. Z=32 | 1 |
| 6 | 54833080000 | STOP DISC 20,2X30X1 | 1 |
| 7 | 79333316000 | sliding gear 6 th. | 1 |
| 8 | 0417024000 | CIRCLIP WS24 | 3 |
| 9 | 54833043000 | STOP DISC 25X0,8X30X30X7H | 2 |
| 10 | 79333313000 | idler gear 3 rd. | 1 |
| 11 | 0405222611 | NEEDLE BEAR.K 22X26X10 DIVIDED | 2 |
| 12 | 79333314000 | idler gear 4 th. | 1 |
| 13 | 79333315000 | sliding gear 5 th. | 1 |
| 14 | 54833044000 | STOP DISC 25X31X1,5 | 1 |
| 15 | 79333312000 | idler gear 2 nd. | 1 |
| 16 | 0405242812 | NEEDLE BEAR. K24X28X11,9 DIV. | 1 |
| 17 | 79333110000 | Output shaft | 1 |
| 18 | 49030023000 | cylindrical roller bearing NJ205 | 1 |
| 19 | 0760324571 | SHAFT SEAL RING 32X45X7 BSLNBR | 1 |
| 20 | 0770020220 | O-RING 25,12X1,78 NBR70 | 1 |
| 21 | 78133014000 | SPACER SLEEVE COUNTER | 1 |
| 22 | 50033029012 | FRONT SPROCKET 12-T EXC TPI Erzbergrodeo 2020 | x |
| 22 | 79233029013 | SPROCKET 13T | x |
| 22 | 79233129014 | ENGINE SPROCKET 14Z | x |
| 23 | 59033034000 | SPRING WASHER 17,2X40X1,5 | 1 |
| 24 | 59033029000 | HH COLLAR SCREW M10X18 10.9 | 1 |
| 99 | 00050000983 | COUNTER SHAFT REP.KIT 2 STROKE | x |

175543361

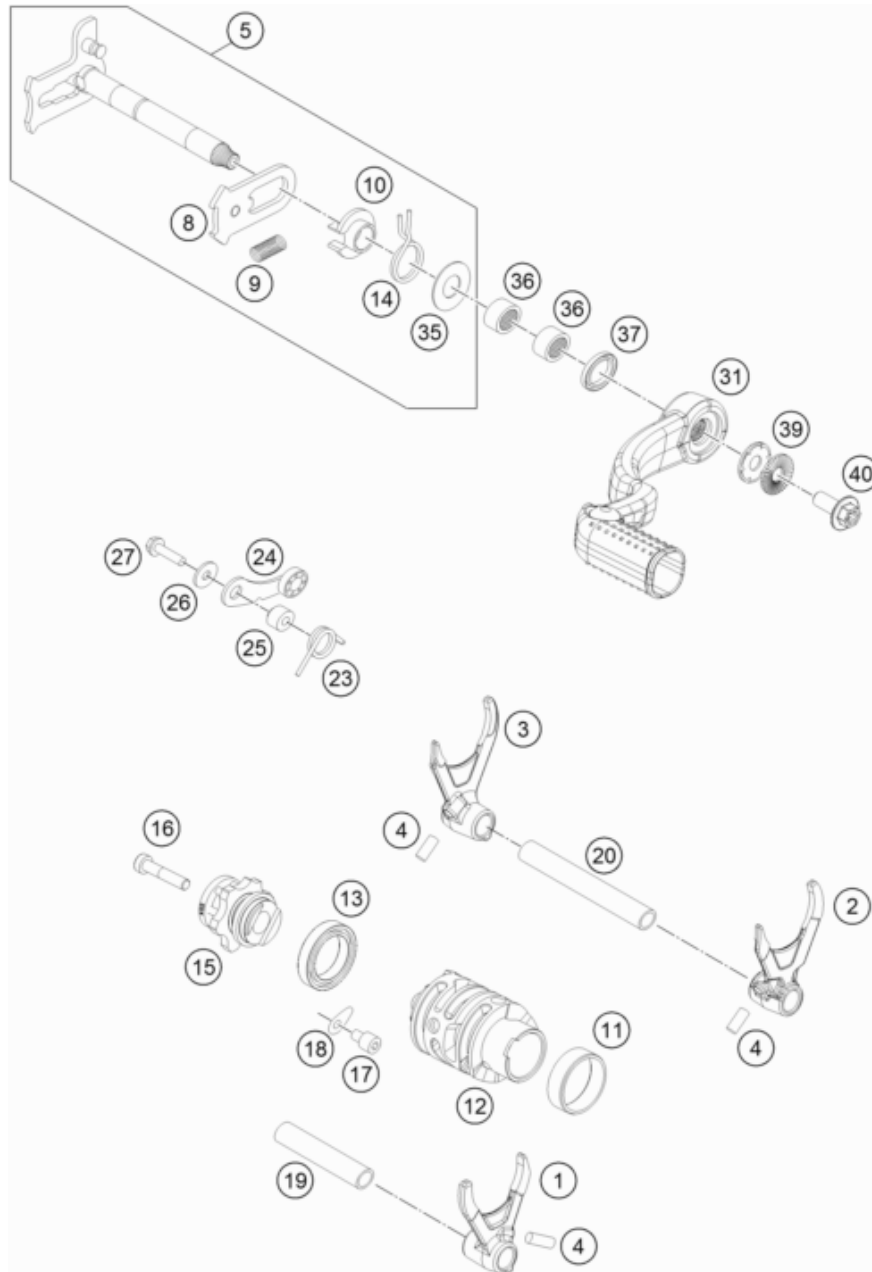
52693

* NEW PART

X ON DEMAND

SHIFTING MECHANISM

Engine 250 EXC TPI 2022 2022



| POS | PARTNUMBER | PARTNAME | PIECE |
|-----|-------------|---|-------|
| 1 | 79234101000 | SHIFT FORK 5.-6. GEAR | 1 |
| 2 | 79234102000 | SHIFT FORK 2.-4. GEAR | 1 |
| 3 | 79234103000 | SHIFT FORK 1.-3. GEAR | 1 |
| 4 | 0402061480 | NEEDLE ROLLER DIN5402 6X14,8 | 3 |
| 5 | 55434005133 | SHIFT SHAFT CPL. | 1 |
| 8 | 79234008144 | SLIDING PLATE CPL. | 1 |
| 9 | 56534013100 | TENSIONING SPRING 0,8MM | 1 |
| 10 | 54634020000 | SPRING GUIDE | 1 |
| 11 | 79234012010 | FRICTION BEARING CONTROLLER | 1 |
| 12 | 79234112000 | SHIFT ROLLER | 1 |
| 13 | 0625618050 | BALL BEARING 61805 C3 | 1 |
| 14 | 54834014000 | RETURN SPRING 03 | 1 |
| 15 | 55434015000 | GEARSHIFT CPL. | 1 |
| 16 | 0984060302 | AH SCREW DIN6912 M 6X30 | 1 |
| 17 | 0019050106S | hex lobe countersunc screw M5x10 - 10.9 | 1 |
| 18 | 75030085000 | RETAINING PLATE F. CS BEARING | 1 |
| 19 | 54834019000 | SHIFT. RAIL MAIN SHAFT 250/300 | 1 |
| 20 | 77034019000 | SHIFTING MAIN L=93MM 05 | 1 |
| 23 | 55434023100 | LOCKING LEVER SPRING | 1 |
| 24 | 55434024000 | LOCKING LEVER CPL. | 1 |
| 25 | 54634052300 | SLEEVE FOR LOCKING LEVER | 1 |
| 26 | 0349000050 | WASHER DIN7349-5X15X2 | 1 |
| 27 | 0025050206 | HH collar screw M5x20 TX30 | 1 |
| 31 | 55434031000 | SHIFTING LEVER CPL. | 1 |
| 35 | 54634050000 | STOP DISK 14X30X1 | 1 |
| 36 | 54632095000 | needle sleeve HK 1412 14x20x12 | 2 |
| 37 | 0760142460 | radial shaft seal 14x24x6 B | 1 |
| 39 | 50233041500 | PAIR NORDLOCK WASHER M6 | 1 |
| 40 | 0024060156S | HH collar screw M6x15 TX30 | 1 |

175543411

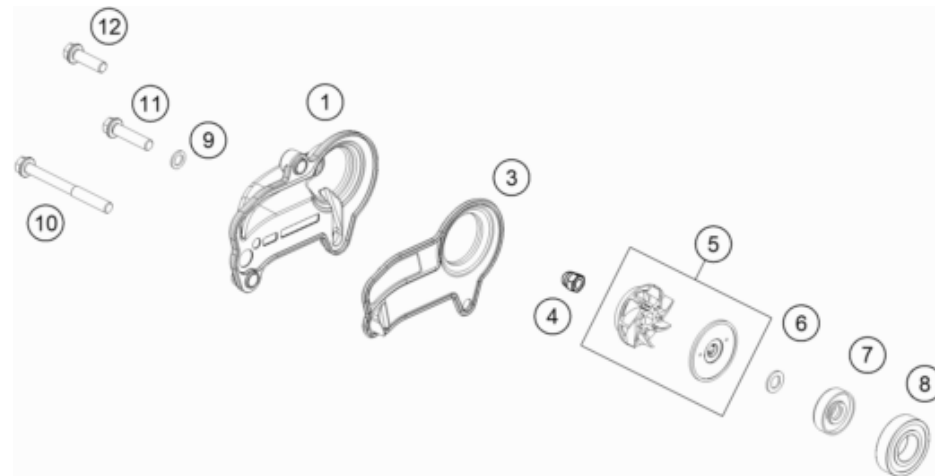
18096

* NEW PART

X ON DEMAND

WATER PUMP

Engine 250 EXC TPI 2022 2022



| POS | PARTNUMBER | PARTNAME | PIECE |
|-----|-------------|------------------------------|-------|
| 1 | 55535052000 | Waterpump Cover | 1 |
| 3 | 55535053100 | Gasket with carrier plate | 1 |
| 4 | 61230045000 | CAP NUT M6 STAINLESS STEEL | 1 |
| 5 | 79235055044 | WATER PUMP WHEEL CPL. | 1 |
| 6 | 50435049000 | PREFORMED WASHER | 1 |
| 7 | 0760082472 | SHAFT SEAL RING 8X24X7 A DUO | 1 |
| 8 | 0625160020 | BALL BEARING 16002 C3 | 1 |
| 9 | 0603061001 | CU-SEAL RING DIN7603-6X10X1 | 1 |
| 10 | 0025060606 | HH collar screw M6x60 TX30 | 1 |
| 11 | 0025060256 | HH collar screw M6x25 TX30 | 1 |
| 12 | 0025060206 | HH collar screw M6x20 TX30 | 1 |

205553510

56634

* NEW PART

X ON DEMAND

EXHAUST CONTROL

Engine 250 EXC TPI 2022 2022



| POS | PARTNUMBER | PARTNAME | PIECE |
|-----|--------------|---|-------|
| 1 | 0019050106S | hex lobe countersunc screw M5x10 - 10.9 | 2 |
| 2 | 50437079100 | securing plate | 2 |
| 4 | 0770160021 | O-RING 16,00X2,00 VITON | 2 |
| 5 | 55437061044 | CONTR.VALVE 250 LEFT KPL. | 1 |
| 6 | 55437062044 | CONTR.VALVE 250 RIGHT KPL. | 1 |
| 10 | 014580060256 | CYL. SCREW DIN14580 M 6X25 | 1 |
| 11 | 54637067000 | SPRING SLEEVE | 1 |
| 12 | 55537066000 | Overload spring | 1 |
| 13 | 014580060106 | Cap head screw M6x10 | 1 |
| 14 | 55537065000 | Adjusting lever cmpl. | 1 |
| 15 | 55537080000 | Post mount cmpl. | 1 |
| 16 | 55537064044 | Gear segment right cmpl. | 1 |
| 17 | 54837064150 | GEAR SEGMENT L/S 250 07 | 1 |
| 18 | 50437023100 | exhaust flap bushing | 2 |
| 19 | 0770150151 | O-RING 15,00X1,50 VITON | 2 |
| 20 | 55537020000 | Control hatch 250 | 1 |
| 21 | 014580060166 | SHCS ISO 14580 M6x16 | 1 |
| 22 | 0137060003 | spring washer DIN 137 B - 6 | 1 |
| 23 | 0021060003 | WASHER DIN9021-A 6,4 | 1 |
| 24 | 54637056100 | WASHER 6,5X11X2 | 1 |
| 25 | 0014050123 | HH COLLAR SCREW M 5X12 WS=6 | 1 |
| 26 | 0349000050 | WASHER DIN7349-5X15X2 | 1 |
| 27 | 55437058000 | BEARING SUPPORT | 1 |
| 28 | 0025050256S | HH collar screw M5x25 TX30 | 2 |
| 29 | 55537068000 | Bearing sleeve | 1 |
| 31 | 55537050244 | Centrifugal governor assy. | 1 |
| 36 | 54637098100 | BALL BEARING 626LLBC3/5K | 1 |
| 40 | 0014050203 | HH COLLAR SCREW M 5X20 WS=6 | 2 |
| 41 | 54637070300 | Closing cover 250-360 | 1 |
| 43 | 54837075000 | SPRING GUIDE 250/300 | 1 |
| 44 | 0770021120 | O-RING 12,37X2,62 NBR70 | 1 |
| 45 | 0770240020 | O-RING 24,00X2,00 NBR70 | 1 |
| 46 | 54837069000 | ADJUST. SPRING 2003 | 1 |
| 47 | 54637072300 | AUXILIARY SPRING MID. YELLOW | 1 |
| 48 | 54637071200 | SPRING INSERT | 1 |
| 50 | 47237056100 | Power valve control lever | 1 |
| 51 | 0988101610 | SHIM WASHER DIN988 10X16X1 | 2 |
| 52 | 0618101410 | needle sleeve HK 1010 10x14x10 | 2 |

205553710

54570

* NEW PART

X ON DEMAND

EXHAUST CONTROL

Engine 250 EXC TPI 2022 2022



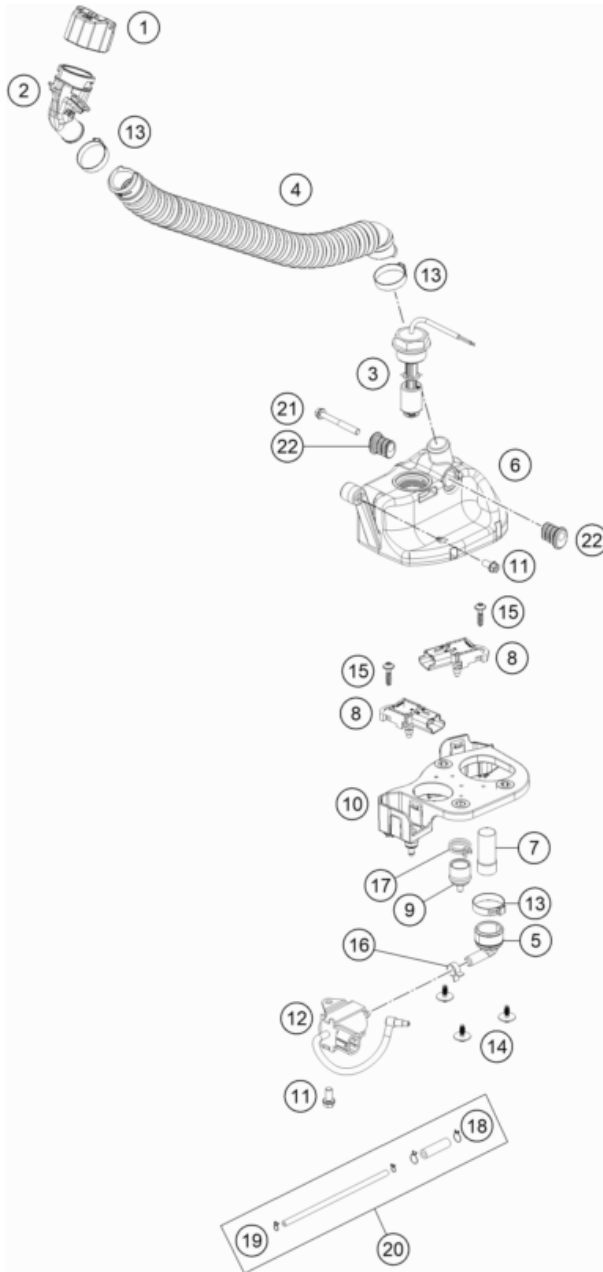
| POS | PARTNUMBER | PARTNAME | PIECE |
|-----|-------------|------------------------|-------|
| 53 | 55437057200 | Control lever 250/300 | 1 |
| 60 | 55537095044 | Linkage compl. | 1 |
| 61 | 50237195055 | SECURING DIN-71805-S-8 | 2 |

205553710

54570

* NEW PART

X ON DEMAND



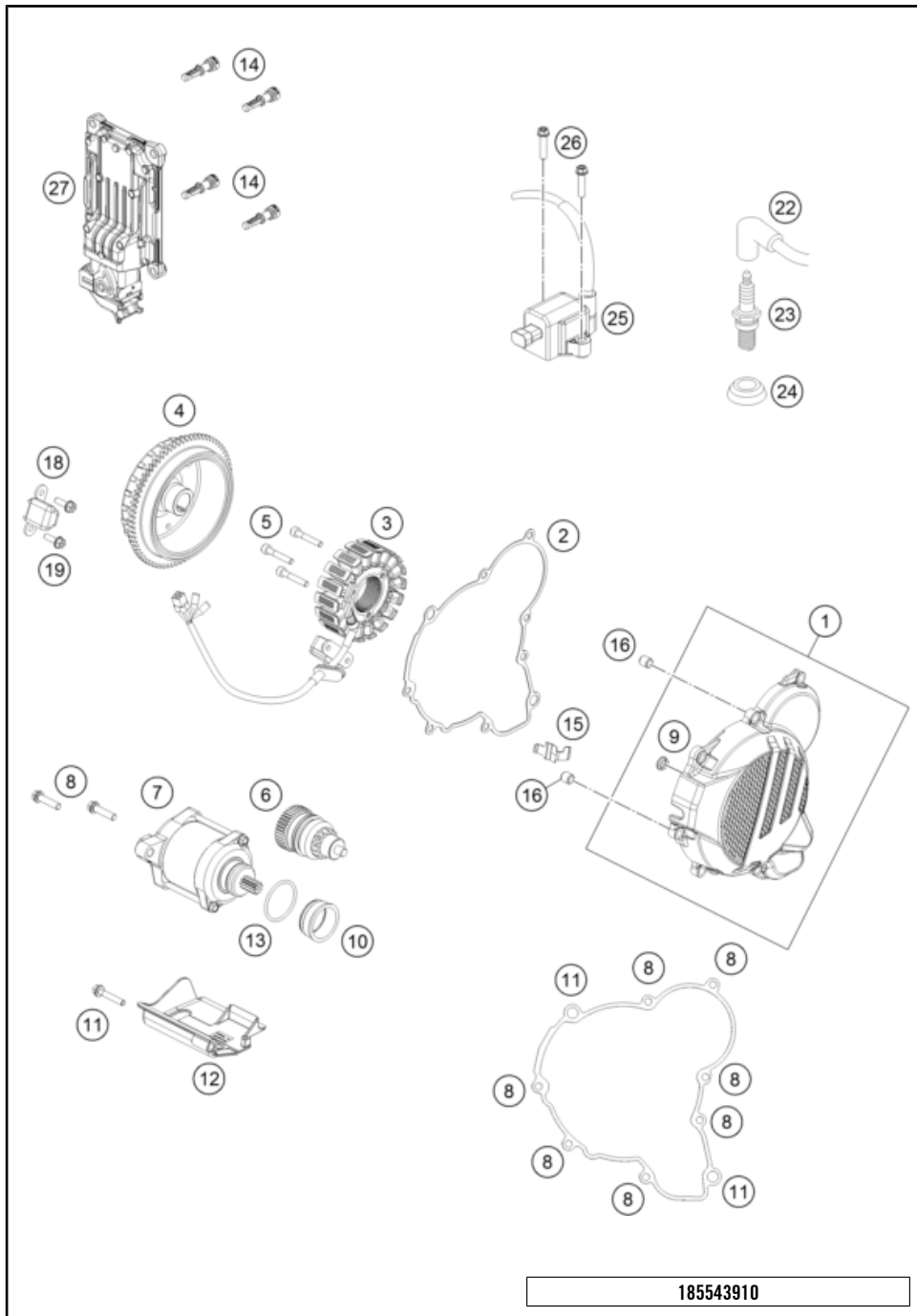
| POS | PARTNUMBER | PARTNAME | PIECE |
|-----|-------------|--|-------|
| 1 | 55638070033 | Oilfillercap cpl. | 1 |
| 2 | 55638061020 | Filler plug oil tank | 1 |
| 3 | 55638062000 | Oil level sensor | 1 |
| 4 | 55638065200 | Tube | 1 |
| 5 | 55738061060 | Angle piece oil tank | 1 |
| 6 | 55738061200 | Oil tank | 1 |
| 7 | 61238016100 | Oil Screen | 1 |
| 8 | 55641075000 | Crankcase Presure Sensor CCP | 2 |
| 9 | 55738061070 | Sensor cover | 1 |
| 10 | 55738061040 | Oil pump bracket | 1 |
| 11 | 0025060126S | Hex collar screw M6x12 ISA30 self-lockin | 2 |
| 12 | 55638064000 | Oil pump | 1 |
| 13 | 00050271708 | VARIABLE ONE-EAR CLAMP 27,1MM | 3 |
| 14 | 0081645121 | EJOT DELTA PT SCREW 45X12-Z | 3 |
| 15 | 0081050181 | SCREW FOR PLASTIC K50X18 T20 | 2 |
| 16 | 59007017000 | CLAMP YDNAC 10096F (9,6MM) | 1 |
| 17 | 58431082100 | YDNAC-CLAMP 10173 (16MM) '98 | 1 |
| 18 | 55538086000 | Clamp 1 | 2 |
| 19 | 55538087000 | Clamp 2 | 2 |
| 20 | 55538083044 | Tube set, oil tank | 1 |
| 21 | 0025060506 | HH collar screw M6x50 TX30 | 1 |
| 22 | 55738061052 | Damping rubber | 2 |

215553810

54511

* NEW PART

X ON DEMAND



| POS | PARTNUMBER | PARTNAME | PIECE |
|-----|---------------|---------------------------------|-------|
| 1 | 5543010214415 | Ignition cover cpl. | 1 |
| 2 | 55430040000 | IGNITION COVER GASKET | 1 |
| 3 | 55439104100 | Stator | 1 |
| 4 | 55439105000 | flywheel | 1 |
| 5 | 0912050303 | AH SCREW DIN0912-M 5X30 | 3 |
| 6 | 55440126000 | BENDIX | 1 |
| 7 | 55440001000 | STARTER ENGINE | 1 |
| 8 | 0025060256 | HH collar screw M6x25 TX30 | 9 |
| 9 | 55540031000 | Collar bushing | 1 |
| 10 | 55440012000 | BEARING BUSH | 1 |
| 11 | 0025060306 | HH collar screw M6x30 TX30 | 3 |
| 12 | 55440040044 | PROTECTION CAP STARTER ENGINE | 1 |
| 13 | 0770021260 | O-RING 34,59X2,62 | 1 |
| 14 | 55641030000 | Holder control unit | 4 |
| 15 | 55439140220 | Holding plate generator cable | 1 |
| 16 | 49030090100 | DOWEL 9,8 X7X10 | 2 |
| 18 | 59039034000 | pulse generator KOKUSAN 4K3-A/B | 1 |
| 19 | 0025050166 | HH collar screw M5x16 TX30 | 2 |
| 22 | 55639007100 | Ignition wire | 1 |
| 23 | 55439193000 | Spark plug | x |
| 23 | 54739093000 | SPARK PLUG NGK BR7ES | 1 |
| 24 | 50231012000 | SEALING CUP FOR SPARK PLUG | 1 |
| 25 | 55639006000 | Ignition coil | 1 |
| 26 | 0025060256 | HH collar screw M6x25 TX30 | 2 |
| 27 | 55641031000 | Control device EFI | 1 |

185543910

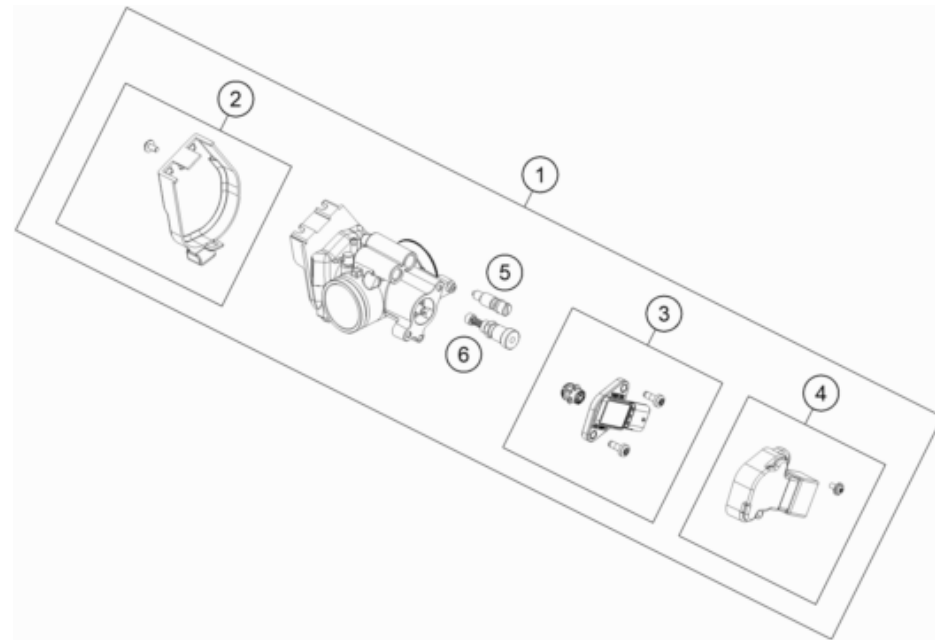
54857

* NEW PART

X ON DEMAND

THROTTLE BODY

Engine 250 EXC TPI 2022 2022



| POS | PARTNUMBER | PARTNAME | PIECE |
|-----|-------------|-------------------|-------|
| 1 | 55741001000 | Throttle body | 1 |
| 2 | 55641056044 | TVB cover compl. | 1 |
| 3 | 55641077044 | TPS compl. | 1 |
| 4 | 55641078044 | TPS cover compl. | 1 |
| 5 | 55741060000 | Idle screw | 1 |
| 6 | 55741070000 | Cold start button | 1 |

205554110

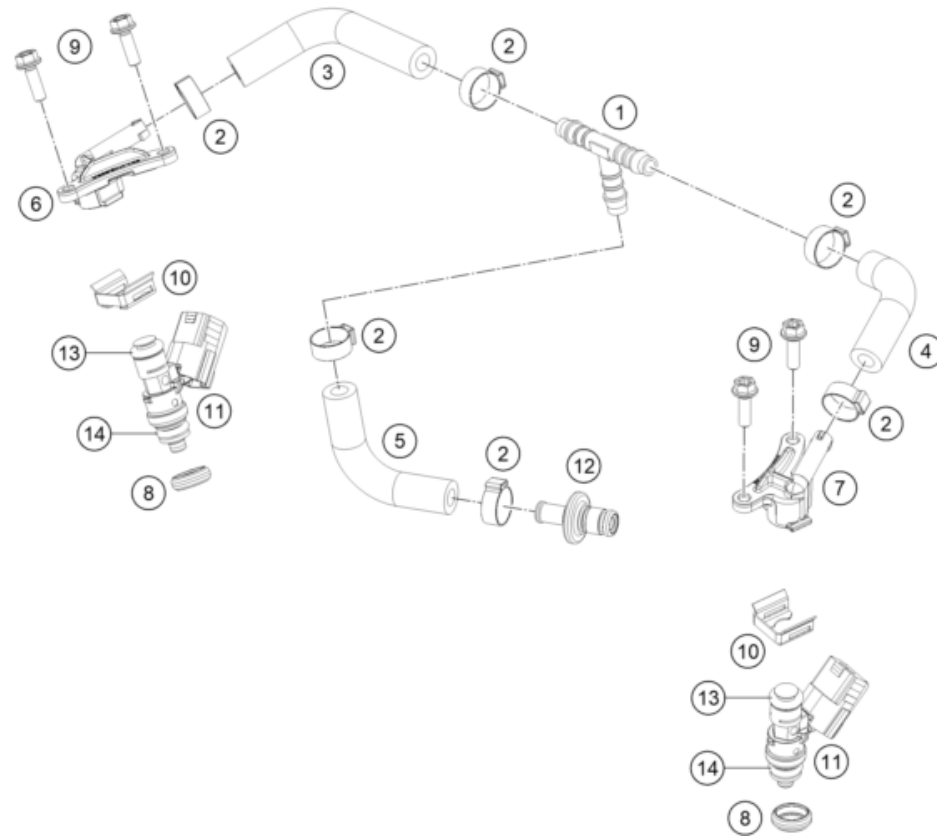
52698

* NEW PART

X ON DEMAND

FUEL DISTRIBUTOR

Engine 250 EXC TPI 2022 2022



| POS | PARTNUMBER | PARTNAME | PIECE |
|-----|-------------|-------------------------------|-------|
| 1 | 55441007000 | T-connector 7.5 | 1 |
| 2 | 00050153706 | VARIABLE ONE-EAR CLAMP 15,3MM | 6 |
| 3 | 55441019000 | TPI hose right | 1 |
| 4 | 55441018000 | TPI hose left | 1 |
| 5 | 55441020000 | TPI supply hose | 1 |
| 6 | 55541014000 | injektor top right | 1 |
| 7 | 55541013000 | Injektor top left | 1 |
| 8 | 55441024000 | Protective ring | 2 |
| 9 | 58605083014 | SCREW M5X14 TORX 25 07 | 4 |
| 10 | 55441017000 | Injector clip | 2 |
| 11 | 55441023044 | Injector right cpl. | 2 |
| 12 | 77707010000 | CONNECTOR FUEL PUMP | 1 |
| 13 | 55641023020 | O-ring | 2 |
| 14 | 55641023010 | O-ring | 2 |

205554130

52704

* NEW PART

X ON DEMAND

KTM.COM



083688VEN

KTM Sportmotorcycle GmbH
5230 Mattighofen, Austria
www.ktm.com

KTM POWERPARTS

KTM POWERWEAR

KTM ORIGINAL SPARE PARTS



Art. Nr.: 083688VEN 12. Apr 2021