

Engine 250 EXC TPI 2023

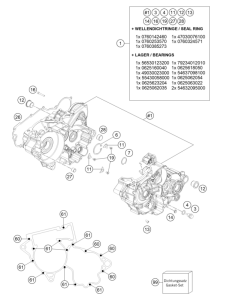
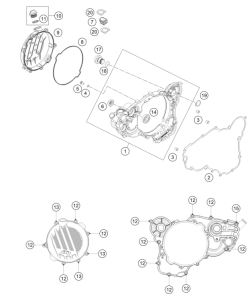
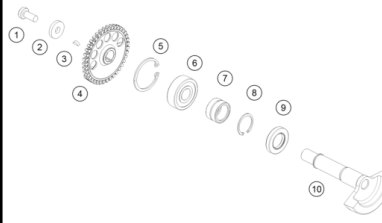
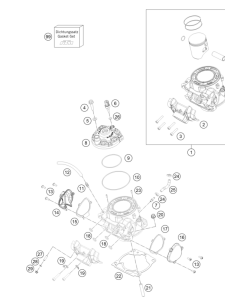
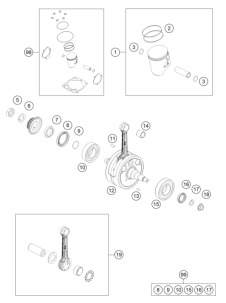
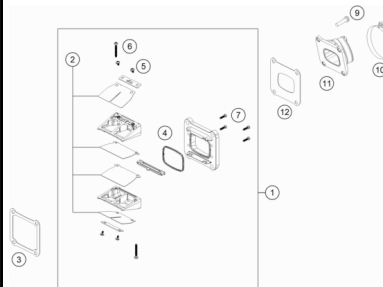
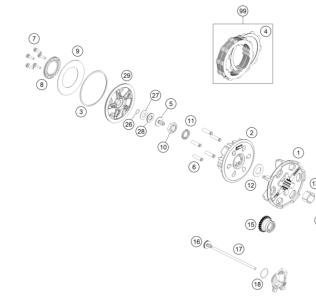
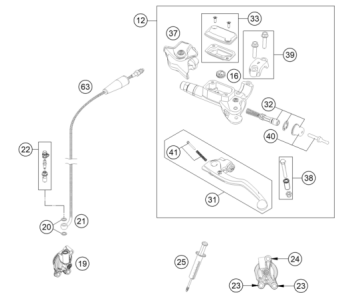
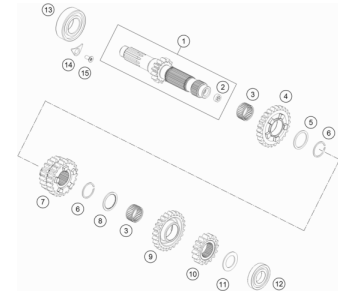
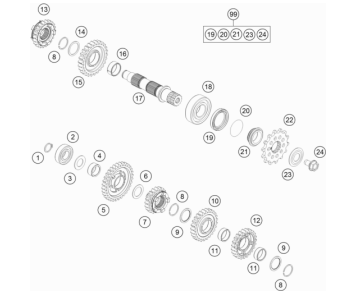
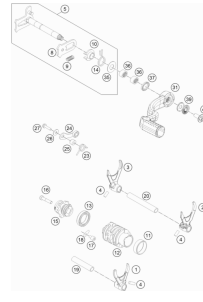
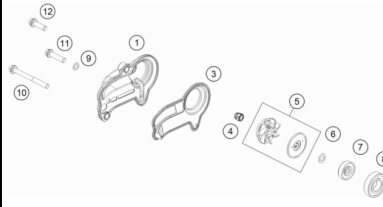
ART.-NR.: 083688WEN

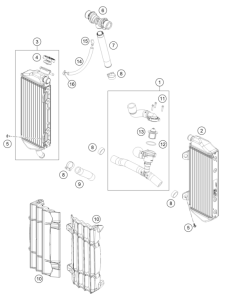
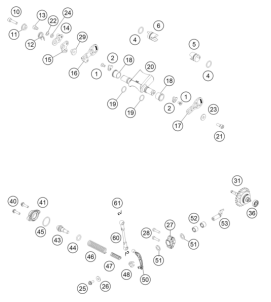

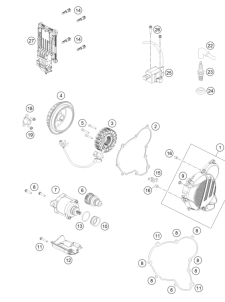
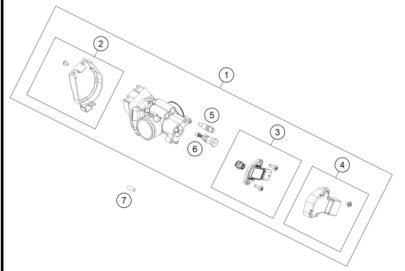
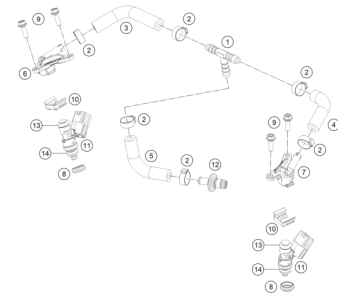




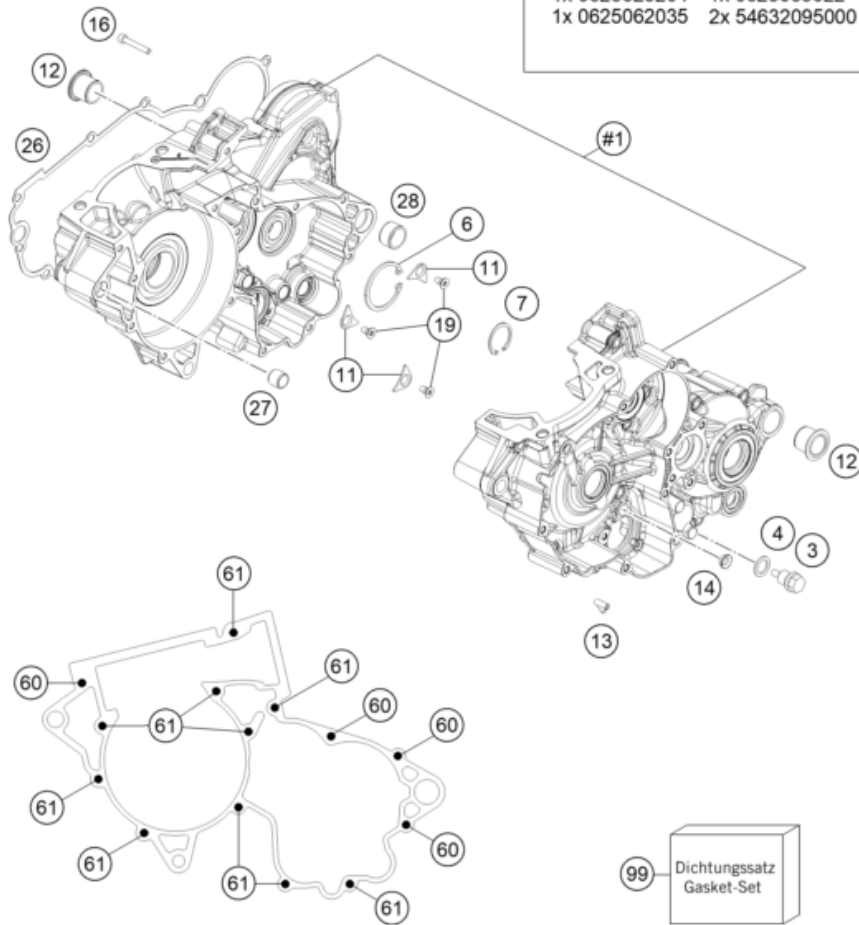
All information contained is without obligation. KTM Sportmotorcycle GmbH particularly reserves the right to modify any equipment, technical specifications, prices, colors, shapes, materials, services, service work, constructions, equipment and the like so as to adapt them to local conditions or to cancel any of the above items, all without previous announcement and without giving reasons. KTM may stop manufacturing certain models without previous notice. KTM shall not be held liable for any deviations of availability and/or ability to deliver, illustrations, descriptions, printing and/or other errors. The illustrated models partly contain extra equipment, which is not applied to standard models.

© by KTM Sportmotorcycle GmbH, Mattighofen AUSTRIA; All rights reserved; Reprint, also in extracts, with written allowance of KTM Sportmotorcycle GmbH, Mattighofen only.

<p>ENGINE CASE</p>  <p>3</p>	<p>CLUTCH COVER</p>  <p>4</p>	<p>BALANCER SHAFT</p>  <p>5</p>	<p>CYLINDER, CYLINDER HEAD</p>  <p>6</p>
<p>CRANKSHAFT, PISTON</p>  <p>7</p>	<p>REED VALVE CASE</p>  <p>8</p>	<p>CLUTCH</p>  <p>9</p>	<p>CLUTCH CONTROL</p>  <p>10</p>
<p>TRANSMISSION I - MAIN SHAFT</p>  <p>11</p>	<p>TRANSMISSION II - COUNTERSHAFT</p>  <p>12</p>	<p>SHIFTING MECHANISM</p>  <p>13</p>	<p>WATER PUMP</p>  <p>14</p>

<p>COOLING SYSTEM</p>  <p>15</p>	<p>EXHAUST CONTROL</p>  <p>16</p>	<p>LUBRICATING SYSTEM</p>  <p>18</p>	<p>IGNITION SYSTEM</p>  <p>19</p>
<p>THROTTLE BODY</p>  <p>20</p>	<p>FUEL DISTRIBUTOR</p>  <p>21</p>		

#1	3	4	11	12	13
14	16	19	27	28	
+ WELLENDICHTRINGE / SEAL RING					
1x 0760142460	1x 47030076100				
1x 0760253570	1x 0760324571				
1x 0760385273					
+ LAGER / BEARINGS					
1x 56530123200	1x 79234012010				
1x 0625160040	1x 0625618050				
1x 49030023000	1x 54637098100				
1x 55430058000	1x 0625062054				
1x 0625623204	1x 0625063022				
1x 0625062035	2x 54632095000				



21553011

POS	PARTNUMBER	PARTNAME	PIECE
1	55530100144	Engine case cpl.	1
3	58030021000	OILDRAIN PLUG W.MAG. M 12X1,5	1
4	58038022000	CU-SEAL RING DIN7603-12X18X1,5	1
6	0472042175	CIRCLIP DIN0472-42X1,75	1
7	55430059100	CIRCLIP DIN0472-28X1,2	1
11	75030085000	RETAINING PLATE F. CS BEARING	3
12	79230010000	CASE BUSH	2
13	45130022000	ANGLE PIECE 50CCM LC 2001	1
14	55540031000	Collar bushing	1
16	0912060406	AH SCREW DIN0912 M 6X40	1
19	0019050106S	hex lobe countersunc screw M5x10 - 10.9	3
26	55430025100	CLUTCH COVER GASKET INSIDE	1
27	54630027000	DOWEL BUSHING 13,8X11X12	1
28	54830027100	Dowel, 21x12	1
60	0025060606	HH collar screw M6x60 TX30	4
61	0025060456	HH COLLAR SCREW M6X45 TX30	10
99	55530199000	Gasket Kit Engine 250/300 2021	x

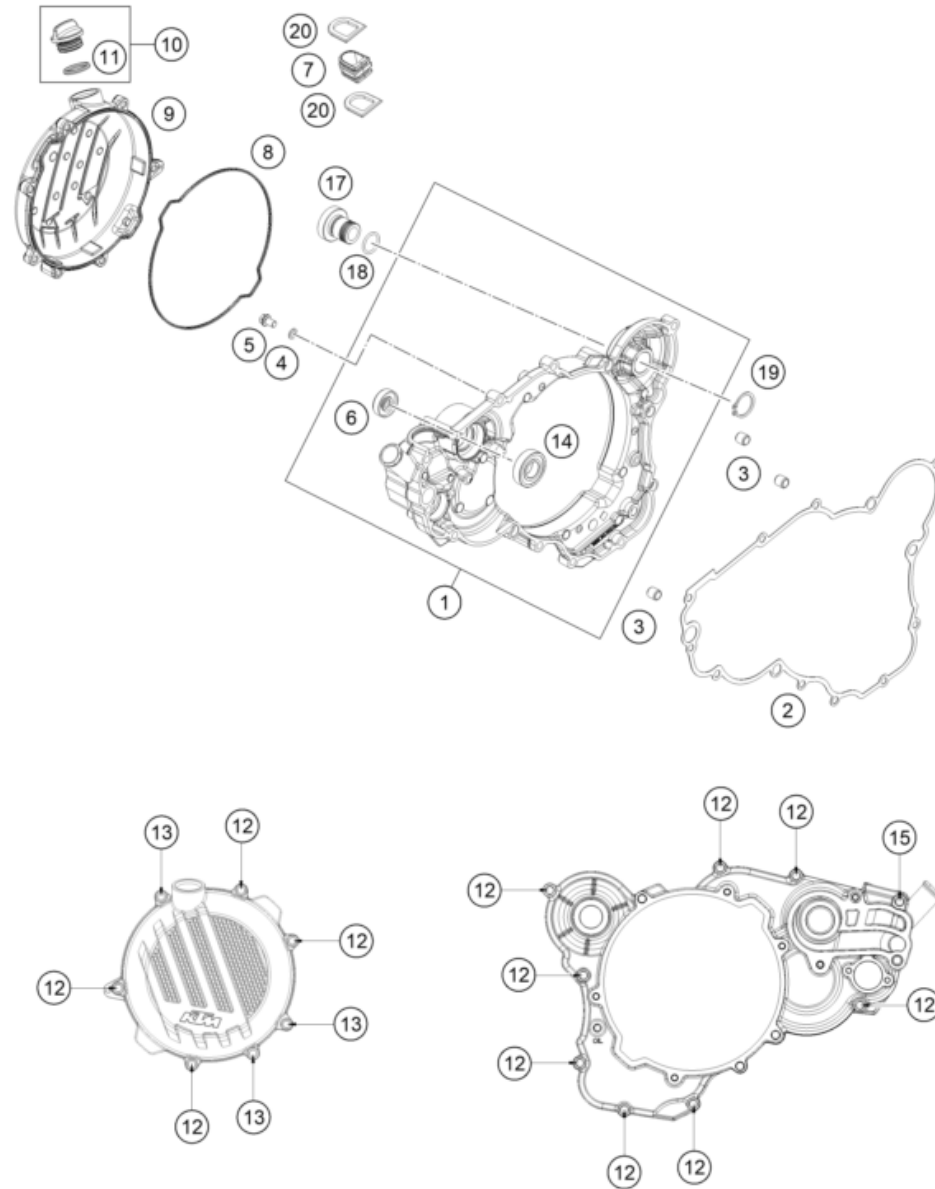
54567

* NEW PART

X ON DEMAND

CLUTCH COVER

Engine 250 EXC TPI 2023



POS	PARTNUMBER	PARTNAME	PIECE
1	55530101044	Inner clutch cover cml.	1
2	55430025100	CLUTCH COVER GASKET INSIDE	1
3	49030090100	DOWEL 9,8 X7X10	3
4	0603061001	CU-SEAL RING DIN7603-6X10X1	1
5	0025060106	HH collar screw M6x10 TX30	1
6	0760082472	SHAFT SEAL RING 8X24X7 A DUO	2
7	54837091100	SEALING CARRIER 07	1
8	55430027000	CLUTCH COVER GASKET OUTSIDE	1
9	5543002610015	Clutch cover	1
10	79430020033	OIL FILLER CAP M24x3 WITH O-R	1
11	0770191015	O-RING 19,00X3,00 NBR	1
12	0025060206	HH collar screw M6x20 TX30	12
13	0025060606	HH collar screw M6x60 TX30	3
14	0625160020	BALL BEARING 16002 C3	1
15	0025060406	HH collar screw M6x40 TX30	1
17	83033056100	KICK STARTER PLUG	1
18	0770140200	O-RING 14,00X2,00	1
19	0471190120	CIRCLIP DIN0471-19X1,2	1
20	54637107000	SEALING ELEMENT BOTTOM	2

205553021

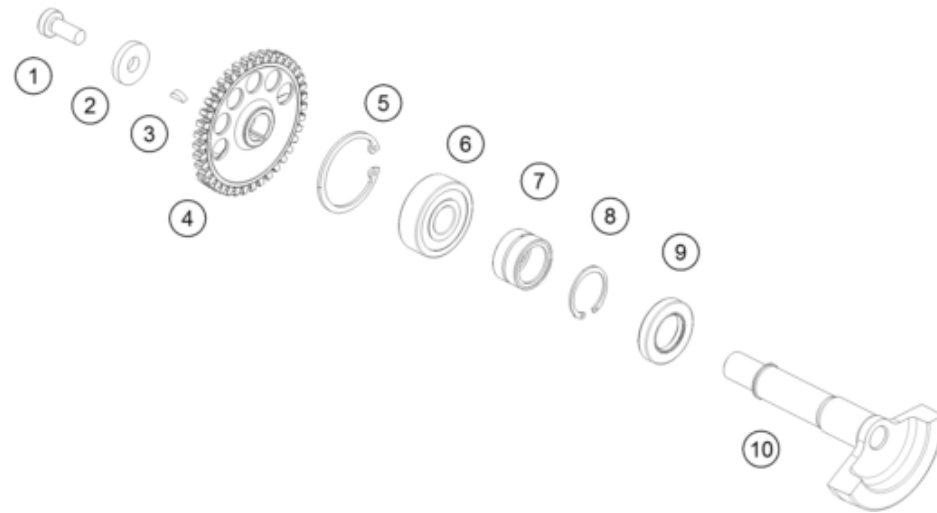
52686

* NEW PART

X ON DEMAND

BALANCER SHAFT

Engine 250 EXC TPI 2023



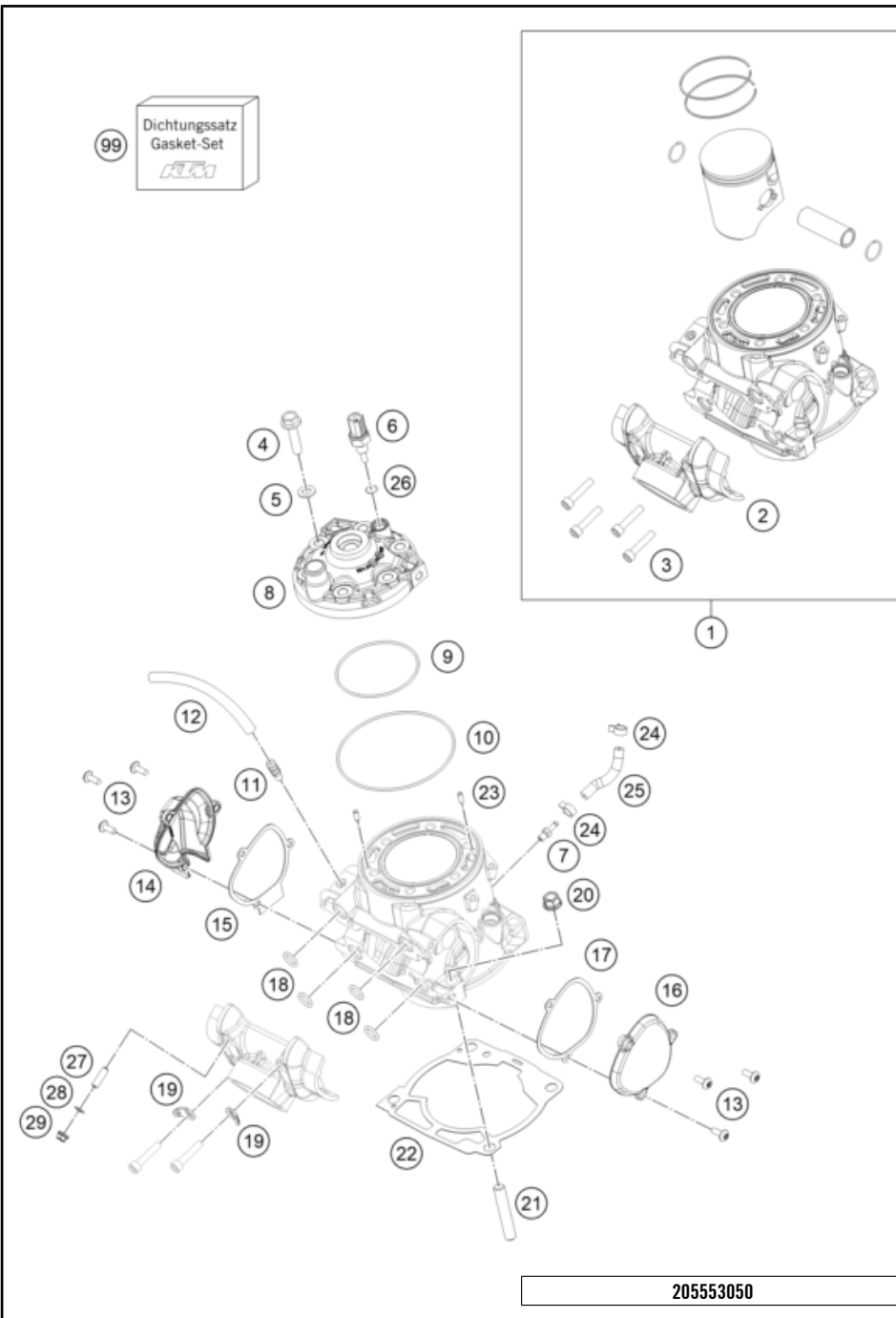
POS	PARTNUMBER	PARTNAME	PIECE
1	0035080206S	SHCS M8x20 TX45	1
2	0340084234	WASHER DIN 6340 8,4X23X4	1
3	0888030037	WOODRUFF KEY DIN6888-3X3,7	1
4	55430056000	AGW-GEAR WHEEL	1
5	0472042175	CIRCLIP DIN0472-42X1,75	1
6	0625063022	GROOVED BALL BEARING 6302 C3	1
7	55430058000	NEEDLE BEARING NK20X16XL	1
8	55430059100	CIRCLIP DIN0472-28X1,2	1
9	47030076100	SEAL SHAFT RING 20X35X6 BTSL	1
10	55430057100	BALANCER SHAFT	1

175543030

18075

* NEW PART

X ON DEMAND



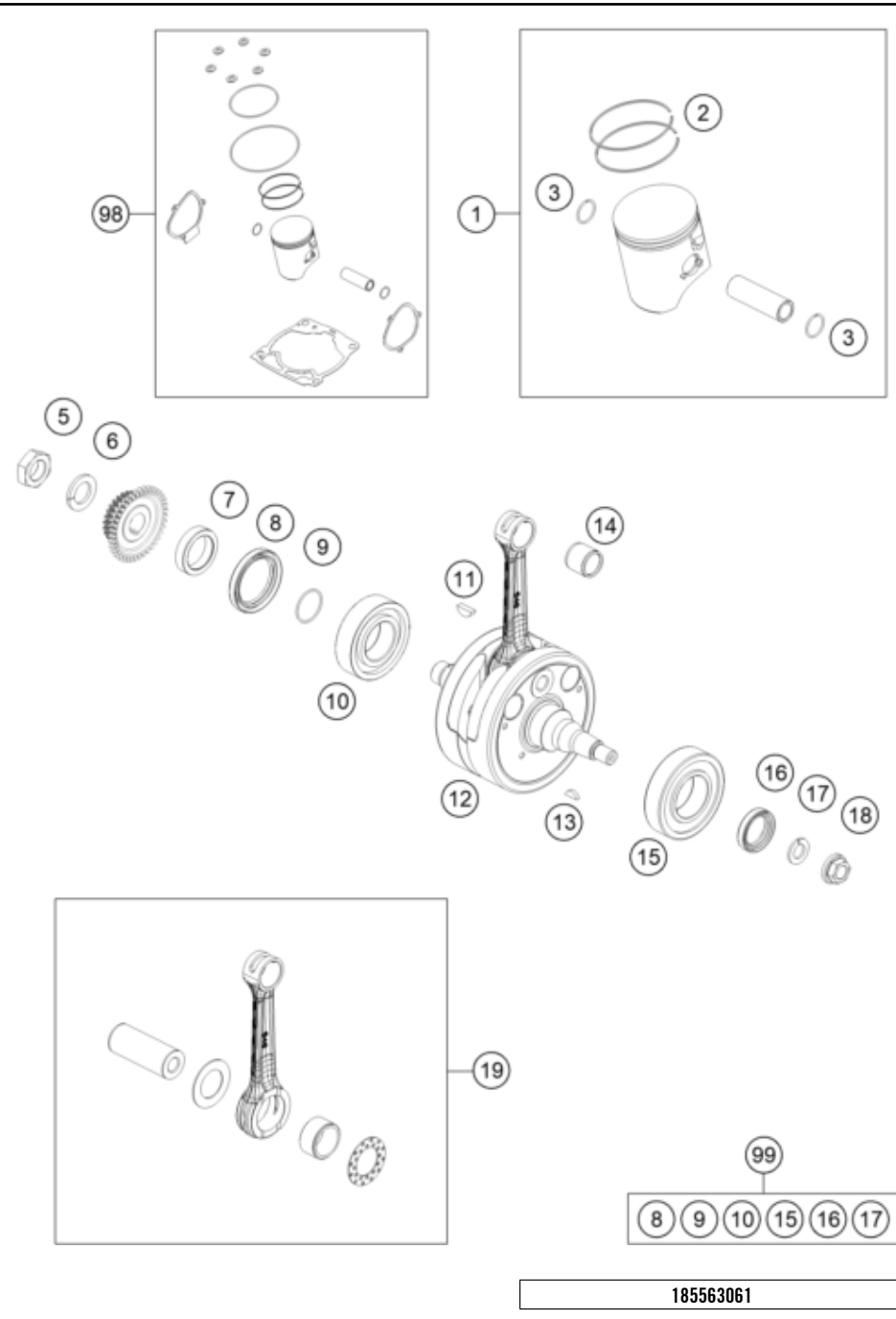
POS	PARTNUMBER	PARTNAME	PIECE
1	55530138100	Cylinder + Piston 250 Enduro 2021	1
2	55537301000	Intermediate flange	1
3	0912060353	AH SCREW DIN0912-M 6X35	4
4	54830079000	COLLAR SCREW M 8X35 WS=13	6
5	56530080000	CU-SEAL RING 8 X 16 X 1	6
6	79435047000	water temperature sensor	1
7	55430023000	Vacuum connection	1
8	55430106200	Cylinder head 250 EXC	1
9	0770730020	O-RING 73,00X2,00 VITON	1
10	0770105020	O-ring 105x2	1
11	78036020090	VACUUM CONNECTION M6	1
12	78015019001	HOSE EPA D=6/10 PER METER	1
13	58605083014	SCREW M5X14 TORX 25 07	6
14	5483700710015	Exhaust control cover rh	1
15	55537008000	Gasket control cover, right	1
16	5483700500015	CONTROL COVER L/S 09	1
17	55537006000	Gasket control cover, left	1
18	0770116241	O-RING 11,3 X2,4 SILICON	4
19	51005074000	RETAINING PLATE	2
20	55530044000	Collar nut M10-SW13 ZnNi	4
21	0835100353	Stud M10x35	4
22	55430030020	CYLINDER BASE GASKET	x
22	55430030025	CYLINDER BASE GASKET	x
22	55430030030	Cylinder base gasket	1
22	55430030040	CYLINDER BASE GASKET	x
22	55430030050	CYLINDER BASE GASKET	x
22	55430030075	CYLINDER FOOT GASKET	x
23	0402040980	NEEDLE ROL.DIN5402 NRB 4X9,8	2
24	59007017000	CLAMP YDNAC 10096F (9,6MM)	2
25	61041095075	tube 3,2x9.0 L=75mm	1
26	0770100020	o-ring 10.00x2.00 silicone	1
27	0913060203	THREAD PIN DIN0913-M 6X20	1
28	0603061001	CU-SEAL RING DIN7603-6X10X1	1
29	77336088106	COLLAR NUT M6X1 SW8	1
99	55430097000	Gasket set piston 250/300	x

20553050

54571

* NEW PART

X ON DEMAND



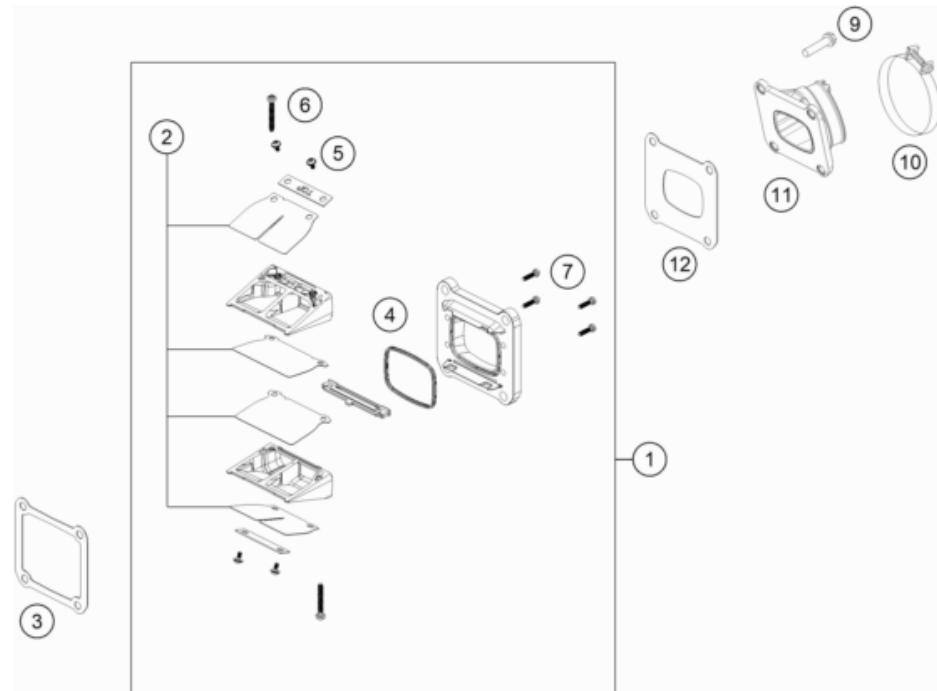
POS	PARTNUMBER	PARTNAME	PIECE
1	55430007000 I	Piston cpl. I	1
1	55430007000 II	Piston cpl. II	1
2	54830232000	TRAPEZOID RING 250 66,4 MM	2
3	54030074000	WIRE LOCK RING C18X1,5	2
5	54630029000	HEX.NUT L/SH M18X1,5	1
6	58132072000	LOCK WASHER VSK 18	1
7	55430016000	DISTANCE SLEEVE	1
8	0760385273	SHAFT SEAL RING 38X52X7BTSL	1
9	0770250015	O-RING 25,00X1,50 NBR 70	1
10	0625623204	BALL BEARING 32X65X17 NTN	1
11	6946005	WOODRUFF KEY 5X6,5 HARDED	1
12	55430118100	CRANKSHAFT EXC	1
13	0888030050	WOODRUFF KEY DIN6888-3X5X13	1
14	54430034000	NEEDLE BEARING KBK 18X22X20	1
15	56530123200	CYLIND.ROL.BEAR. NJ207ET2XCS42	1
16	0760253570	SHAFT SEAL RING 25X35X7 BTSL	1
17	50230029012	LOCKING RING VSK 12	1
18	49030021000	COLLAR NUT M12X1 R/S	1
19	54830015244	CON.ROD REP.SET 250/300	x
98	00050000261	PISTON KIT GR.I 250 MX/Enduro	x
98	00050000262	PISTON KIT GR.II 250 MX/Enduro	x
99	00050002301	CRANKSHAF REP. KIT 250-300	x

185563061

52689

* NEW PART

X ON DEMAND



POS	PARTNUMBER	PARTNAME	PIECE
1	50530051044	Reed Valve Case cpl.	1
2	50530152044	Reed Valve Set	1
3	50430098050	GASKET REED VALVE CASE	1
4	54830153050	GASKET SUPPORTING PLATE	1
5	00810300553	EJOT DELTA PT SCREW 30X5,5	4
6	0081035253	EJOT DELTA PT SCREW 35X25	2
7	0081030124	EJOT DELTA PT SCREW 30X12	4
9	0025060256	HH collar screw M6x25 TX30	4
10	54330061000	CLAMP 52/12 GEMI	1
11	50430050000	INTAKE FLANGE	1
12	50430098060	GASKET INTAKE FLANGE	1

205553070

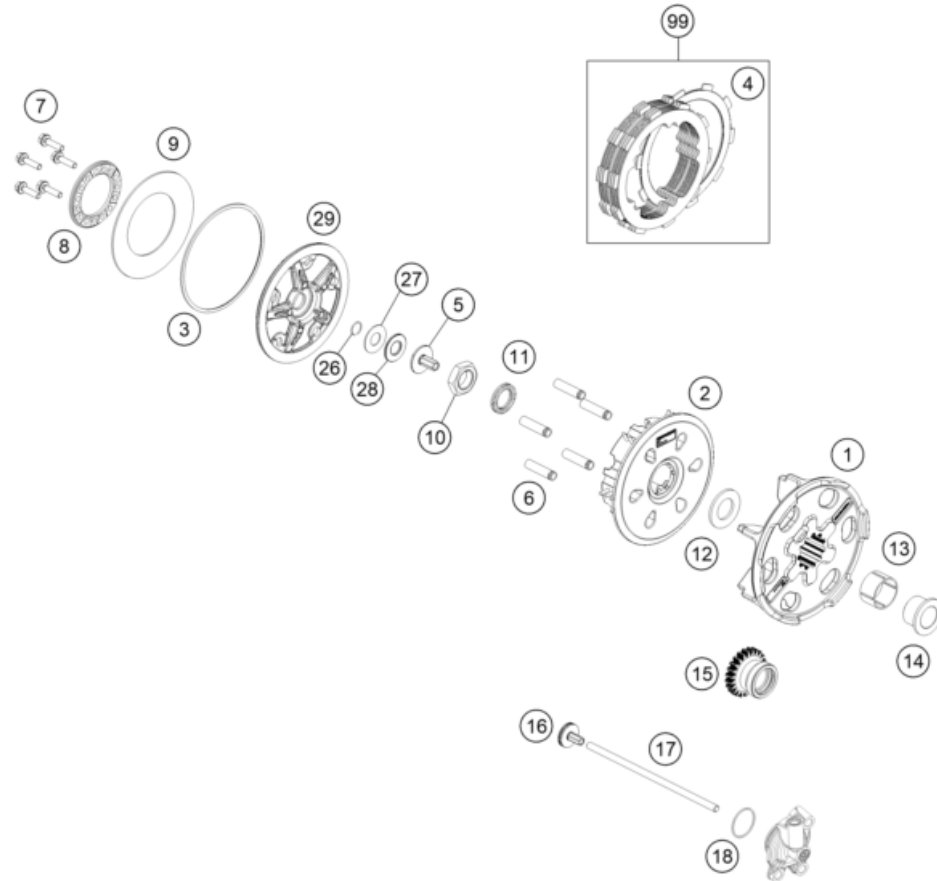
52842

* NEW PART

X ON DEMAND

CLUTCH

Engine 250 EXC TPI 2023



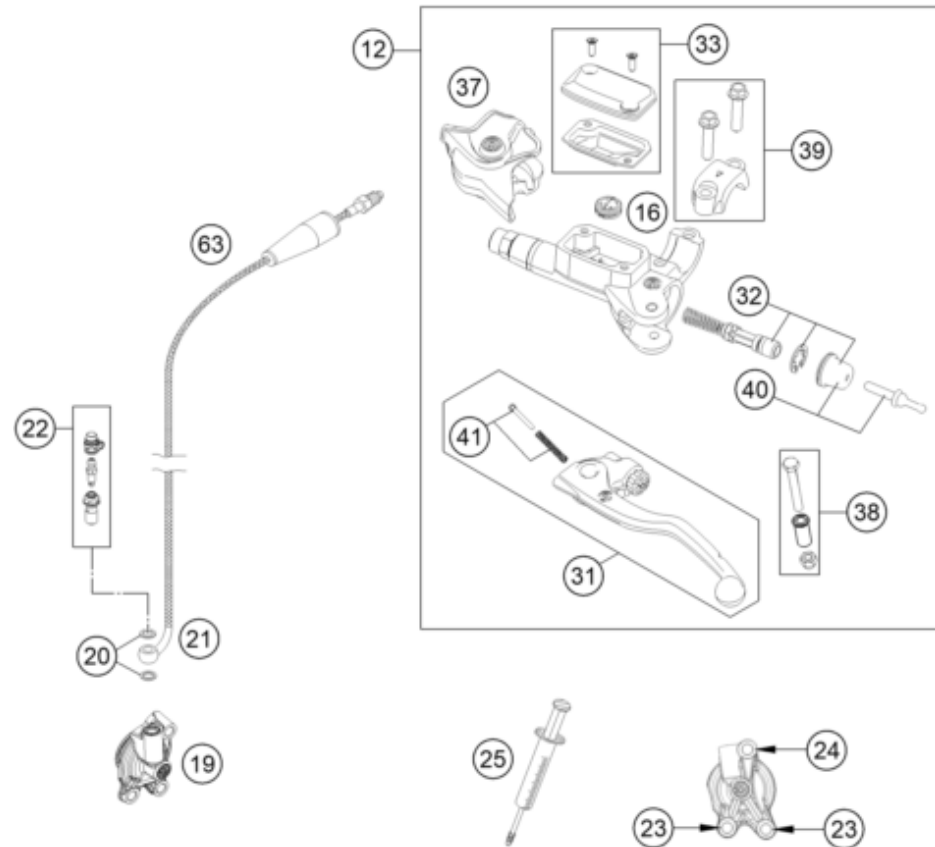
POS	PARTNUMBER	PARTNAME	PIECE
1	78132002111	HUB	1
2	78132002300	CLUTCH HUB	1
3	50532013000	Inner ring	1
4	50532111000	Friction plate 2 mm	7
5	78032057000	PRESSURE PIECE	1
6	50532004100	Sleeve 7.95x31.65	5
7	0025050206	HH collar screw M5x20 TX30	5
8	50532006000	Spring plate	1
9	50532005000	Clutch spring	1
10	0936181506	Hex nut DIN0936-M18x1.5 right	1
11	0252012002900	Wedge lock washer 19.5x29x3.4	1
12	50532017000	Supporting plate 20x36x2.5	1
13	0405263017	Needle cage K263017	1
14	50532015000	Collar 20x26x19,5	1
15	50532023023	gear primary drive	1
16	78032057044	PRESSURE PIECE CPL. 08	1
17	50532054000	Push rod	1
18	0770300015	O-RING 30,00X1,50 NBR 70	1
26	0993012000	CIRCLIP DIN7993-RW12	1
27	54637098200	AXIAL WASHER AS1226 12X26X1	1
28	54637097200	AXIAL NEEDLE BEARING AXK 1226	1
29	50532003000	Pressure plate	1
99	50532110033	Clutch disc pack	1

235173211

59646

* NEW PART

X ON DEMAND



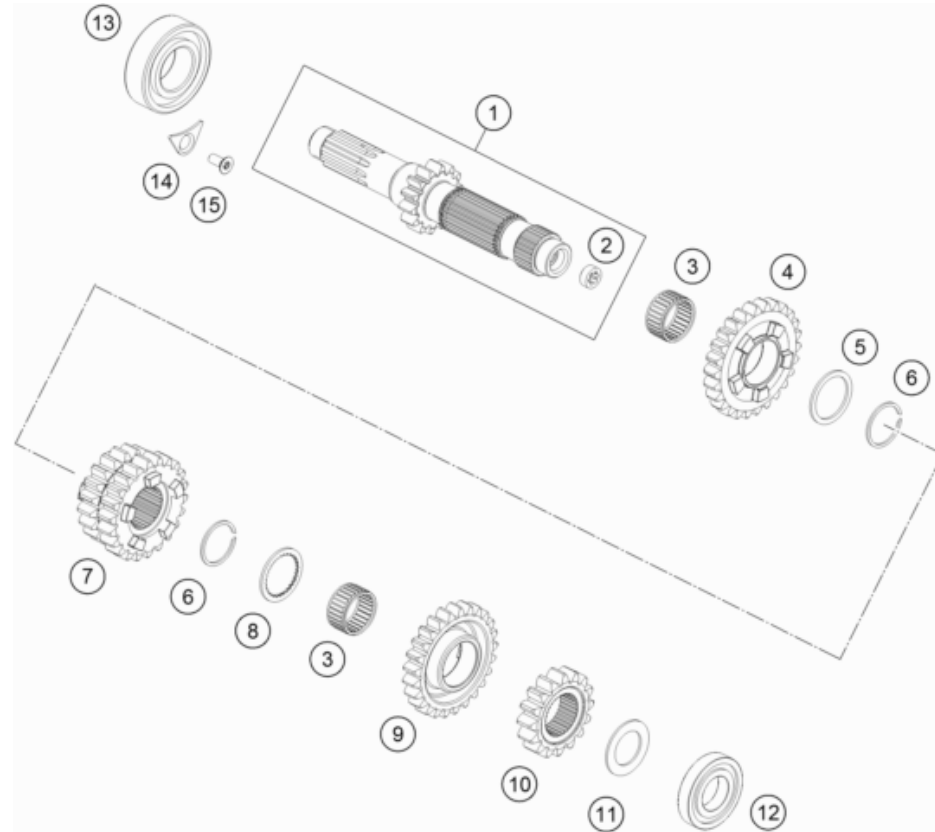
POS	PARTNUMBER	PARTNAME	PIECE
12	79202030044	MASTER CYLINDER CPL.	1
16	54802051000	VALVE	1
19	79232061044	OUTPUT CYLINDER CPL.	1
20	0603082121	SEAL RING CU DIN7603- 8X12X1	2
21	79232063000	CLUTCH PIPE	1
22	79032064000	BLEEDER SCREW CPL.	1
23	0025060166	HH collar screw M6x16 TX30	2
24	0025060256	HH collar screw M6x25 TX30	1
25	50329050000	VENT INJEKTION HYDR. CLUTCH	1
31	54802031000	CLUTCH LEVER CPL. BREMBO 06	1
32	79202032044	REP. KIT PISTON 9MM	1
33	5480200310030	COVER HYD. CLUTCH CPL. 2014	1
37	54802037000	PROTECTION CAP 06	1
38	54802038100	LEVER SCREW CPL. 06	1
39	54802005100	CLAMP CPL. 06	1
40	54802046000	PUSH ROD CPL.	1
41	54802052000	BOLT KPL.	1
63	79232063000	CLUTCH PIPE	1

235173230

59643

* NEW PART

X ON DEMAND



POS	PARTNUMBER	PARTNAME	PIECE
1	79333101000	Main shaft, cpl.	1
2	78033001110	BUSHING	1
3	0405222613	NEEDLE BEAR. K 22X26X13 TN	2
4	79333306000	Idler gear, 6th gear, teeth=26	1
5	54833044000	STOP DISC 25X31X1,5	1
6	0417024000	CIRCLIP WS24	2
7	79233103100	Sliding gear 3rd/4th., t=20/22	1
8	54833043000	STOP DISC 25X0,8X30X30X7H	1
9	79333105000	Idler gear, 5th gear, teeth=25	1
10	79333102000	Fixed gear, 2nd gear, teeth=16	1
11	77233015000	DISK 20,2X32X1,3	1
12	0625160040	GROOVED BALL BEAR. TM 16004 C3	1
13	0625062054	BALL BEARING 6205 C3 NTN	1
14	75030085000	RETAINING PLATE F. CS BEARING	1
15	0019050121S	INT. TORX FLAT HEAD M5X12 T25	1

175543331

52692

* NEW PART

X ON DEMAND



POS	PARTNUMBER	PARTNAME	PIECE
1	0471170015	CIRCLIP DIN 0471-17X1, 5	1
2	0625062035	BALL BEARING 6203 JR2 C3	1
3	77233020000	STOP DISK 17,2X30X1,3	1
4	0405202612	NEEDLE BEARING K 20X26X12	2
5	54833211100	Idler gear 1.G. Z=32	1
6	54833080000	STOP DISC 20,2X30X1	1
7	79333316000	sliding gear 6 th.	1
8	0417024000	CIRCLIP WS24	3
9	54833043000	STOP DISC 25X0,8X30X30X7H	2
10	79333313000	idler gear 3 rd.	1
11	0405222611	NEEDLE BEAR.K 22X26X10 DIVIDED	2
12	79333314000	idler gear 4 th.	1
13	79333315000	sliding gear 5 th.	1
14	54833044000	STOP DISC 25X31X1,5	1
15	79333312000	idler gear 2 nd.	1
16	0405242812	NEEDLE BEAR. K24X28X11,9 DIV.	1
17	79333110000	Output shaft	1
18	49030023000	cylindrical roller bearing NJ205	1
19	0760324571	SHAFT SEAL RING 32X45X7 BSLNBR	1
20	0770020220	O-RING 25,12X1,78 NBR70	1
21	78133014000	SPACER SLEEVE COUNTER	1
22	50033029012	FRONT SPROCKET 12-T EXC TPI Erzbergrodeo 2020	x
22	79233029013	SPROCKET 13T	x
22	79233129014	ENGINE SPROCKET 14Z	x
23	59033034000	SPRING WASHER 17,2X40X1,5	1
24	59033029000	HH COLLAR SCREW M10X18 10.9	1
99	00050000983	COUNTER SHAFT REP.KIT 2 STROKE	x

175543361

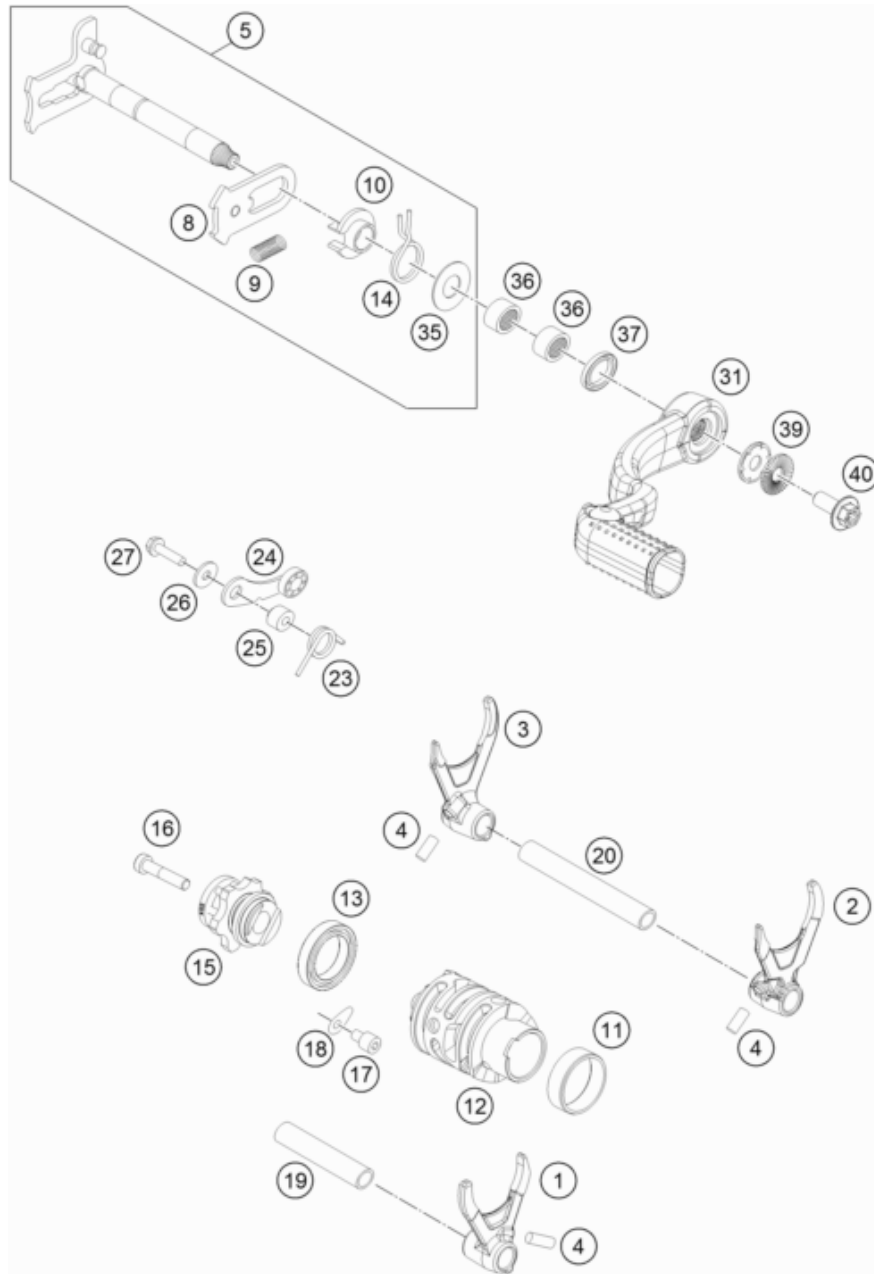
52693

* NEW PART

X ON DEMAND

SHIFTING MECHANISM

Engine 250 EXC TPI 2023



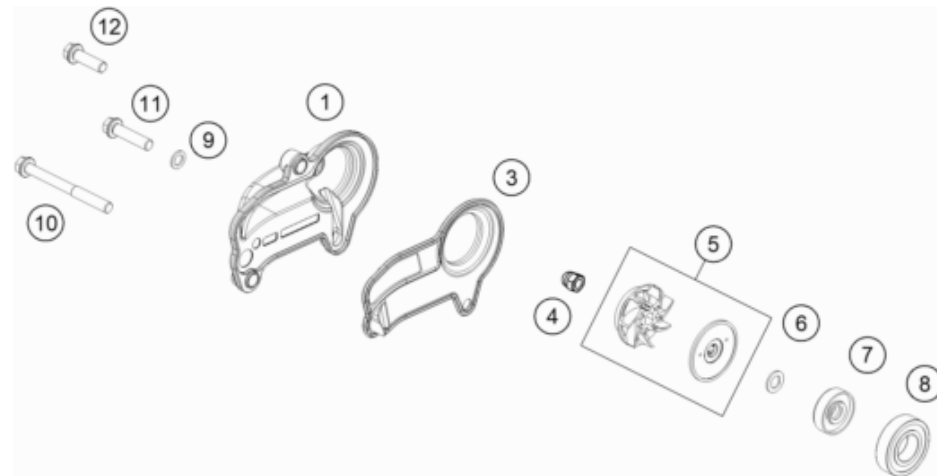
POS	PARTNUMBER	PARTNAME	PIECE
1	79234101000	SHIFT FORK 5.-6. GEAR	1
2	79234102000	SHIFT FORK 2.-4. GEAR	1
3	79234103000	SHIFT FORK 1.-3. GEAR	1
4	0402061480	NEEDLE ROLLER DIN5402 6X14,8	3
5	55434005133	SHIFT SHAFT CPL.	1
8	79234008144	SLIDING PLATE CPL.	1
9	56534013100	TENSIONING SPRING 0,8MM	1
10	54634020000	SPRING GUIDE	1
11	79234012010	FRICTION BEARING CONTROLLER	1
12	79234112000	SHIFT ROLLER	1
13	0625618050	BALL BEARING 61805 C3	1
14	54834014000	RETURN SPRING 03	1
15	55434015000	GEARSHIFT CPL.	1
16	0984060302	AH SCREW DIN6912 M 6X30	1
17	0019050106S	hex lobe countersunc screw M5x10 - 10.9	1
18	75030085000	RETAINING PLATE F. CS BEARING	1
19	54834019000	SHIFT. RAIL MAIN SHAFT 250/300	1
20	77034019000	SHIFTING MAIN L=93MM 05	1
23	55434023100	LOCKING LEVER SPRING	1
24	55434024000	LOCKING LEVER CPL.	1
25	54634052300	SLEEVE FOR LOCKING LEVER	1
26	0349000050	WASHER DIN7349-5X15X2	1
27	0025050206	HH collar screw M5x20 TX30	1
31	55434031000	SHIFTING LEVER CPL.	1
35	54634050000	STOP DISK 14X30X1	1
36	54632095000	needle sleeve HK 1412 14x20x12	2
37	0760142460	radial shaft seal 14x24x6 B	1
39	50233041500	PAIR NORDLOCK WASHER M6	1
40	0024060156S	HH collar screw M6x15 TX30	1

175543411

18096

* NEW PART

X ON DEMAND



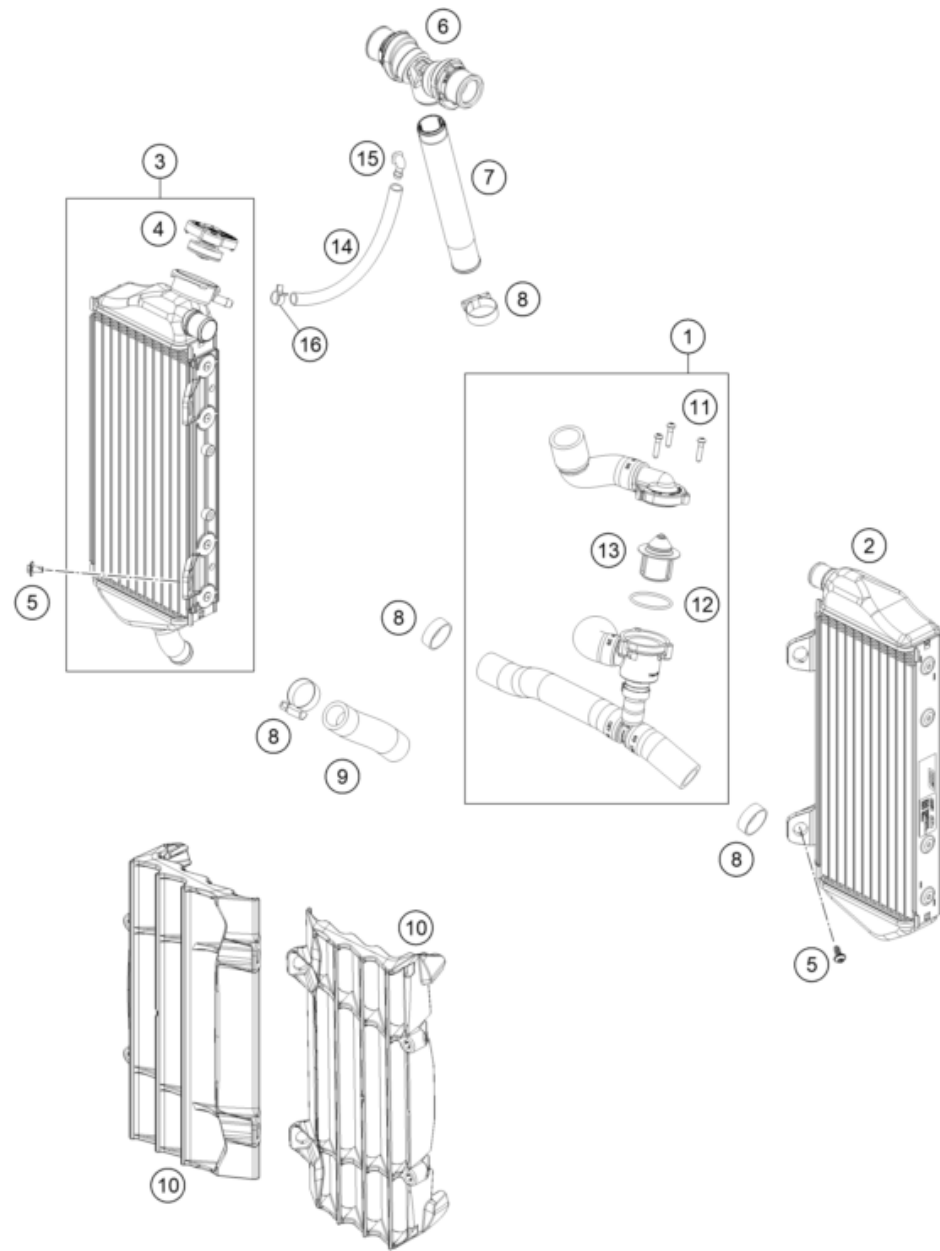
POS	PARTNUMBER	PARTNAME	PIECE
1	55535052000	Waterpump Cover	1
3	55535053100	Gasket with carrier plate	1
4	61230045000	CAP NUT M6 STAINLESS STEEL	1
5	79235055044	WATER PUMP WHEEL CPL.	1
6	50435049000	PREFORMED WASHER	1
7	0760082472	SHAFT SEAL RING 8X24X7 A DUO	1
8	0625160020	BALL BEARING 16002 C3	1
9	0603061001	CU-SEAL RING DIN7603-6X10X1	1
10	0025060606	HH collar screw M6x60 TX30	1
11	0025060256	HH collar screw M6x25 TX30	1
12	0025060206	HH collar screw M6x20 TX30	1

205553510

56634

* NEW PART

X ON DEMAND



POS	PARTNUMBER	PARTNAME	PIECE
1	55735026033	Radiator hose eng. thermos.	1
2	50535007100	Radiator, left 19	1
3	50535008100	Radiator right	1
4	79035016000	RADIATOR CAP 1,8 BAR	1
5	0024060123	COLLAR SCREW M6X12 TX	4
6	79135071044	Y-hose cpl.	1
7	79135073000	threaded bushing	1
8	10001020000	HOSE CLAMP GEMI 18-29	6
9	55535027000	preformed hose	1
10	7913503400030	radiator protector le/ri black	2
11	0016040183	SCREW FOR PLASTIC D=4X18	3
12	0770320020	O-RING 32,00X2,00	1
13	59435017000	THERMOSTAT 70 DEGREE 04	1
14	50335030001	PVC-HOSE 6X9	1
15	50303089000	ANGLE PIECE '97	1
16	59007017000	CLAMP YDNAC 10096F (9,6MM)	1

205573531

52995

* NEW PART

X ON DEMAND

EXHAUST CONTROL

Engine 250 EXC TPI 2023



POS	PARTNUMBER	PARTNAME	PIECE
1	0019050106S	hex lobe countersunc screw M5x10 - 10.9	2
2	50437079100	securing plate	2
4	0770160021	O-RING 16,00X2,00 VITON	2
5	55437061044	CONTR.VALVE 250 LEFT KPL.	1
6	55437062044	CONTR.VALVE 250 RIGHT KPL.	1
10	014580060256	CYL. SCREW DIN14580 M 6X25	1
11	54637067000	SPRING SLEEVE	1
12	55537066000	Overload spring	1
13	014580060106	Cap head screw M6x10	1
14	55537065000	Adjusting lever cmpl.	1
15	55537080000	Post mount cmpl.	1
16	55537064044	Gear segment right cmpl.	1
17	54837064150	GEAR SEGMENT L/S 250 07	1
18	50437023100	exhaust flap bushing	2
19	0770150151	O-RING 15,00X1,50 VITON	2
20	55537020000	Control hatch 250	1
21	014580060166	SHCS ISO 14580 M6x16	1
22	0137060003	spring washer DIN 137 B - 6	1
23	0021060003	WASHER DIN9021-A 6,4	1
24	54637056100	WASHER 6,5X11X2	1
25	0014050123	HH COLLAR SCREW M 5X12 WS=6	1
26	0349000050	WASHER DIN7349-5X15X2	1
27	55437058000	BEARING SUPPORT	1
28	0025050256S	HH collar screw M5x25 TX30	2
29	55537068000	Bearing sleeve	1
31	55537050244	Centrifugal governor assy.	1
36	54637098100	BALL BEARING 626LLBC3/5K	1
40	0014050203	HH COLLAR SCREW M 5X20 WS=6	2
41	54637070300	Closing cover 250-360	1
43	54837075000	SPRING GUIDE 250/300	1
44	0770021120	O-RING 12,37X2,62 NBR70	1
45	0770240020	O-RING 24,00X2,00 NBR70	1
46	54837069000	ADJUST. SPRING 2003	1
47	54837072000	AUXILIARY SPRING SOFT, RED	x
47	54637072300	AUXILIARY SPRING MID. YELLOW	1
47	54837072100	AUXILIARY SPRING HARD GREEN	x
48	54637071200	SPRING INSERT	1
50	47237056100	Power valve control lever	1

205553710

54570

* NEW PART

X ON DEMAND



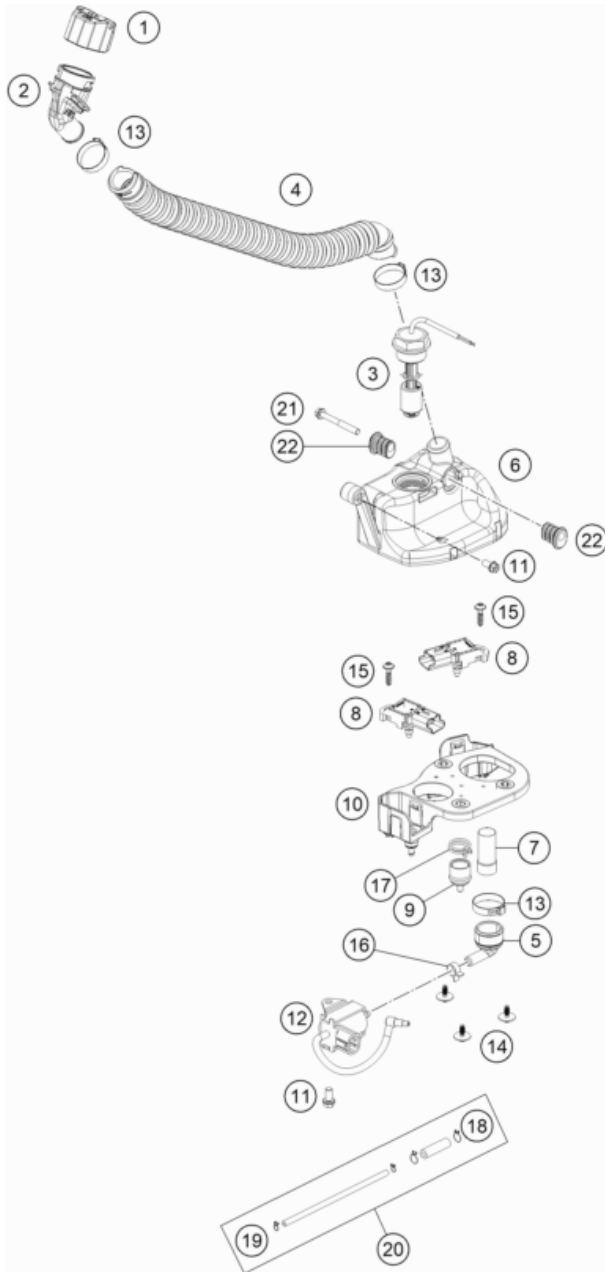
POS	PARTNUMBER	PARTNAME	PIECE
51	0988101610	SHIM WASHER DIN988 10X16X1	2
52	0618101410	needle sleeve HK 1010 10x14x10	2
53	55437057200	Control lever 250/300	1
60	55537095044	Linkage cmpl.	1
61	50237195055	SECURING DIN-71805-S-8	2

205553710

54570

* NEW PART

X ON DEMAND



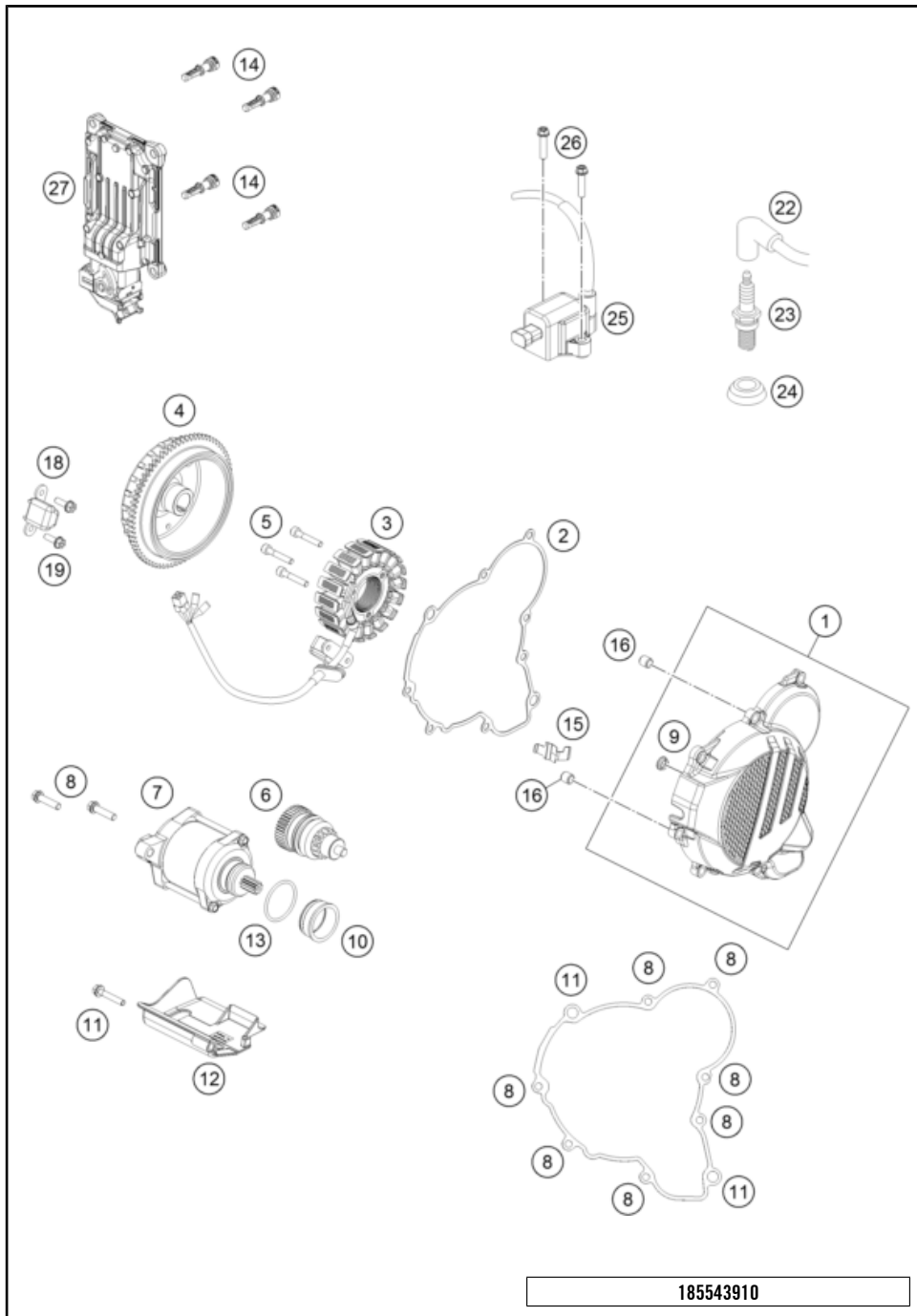
POS	PARTNUMBER	PARTNAME	PIECE
1	55638070033	Oilfillercap cpl.	1
2	55638061020	Filler plug oil tank	1
3	55638062000	Oil level sensor	1
4	55638065200	Tube	1
5	55738061060	Angle piece oil tank	1
6	55738061200	Oil tank	1
7	61238016100	Oil Screen	1
8	55641075000	Crankcase Presure Sensor CCP	2
9	55738061070	Sensor cover	1
10	55738061040	Oil pump bracket	1
11	0025060126S	Hex collar screw M6x12 ISA30 self-lockin	2
12	55638064000	Oil pump	1
13	00050271708	VARIABLE ONE-EAR CLAMP 27,1MM	3
14	0081645121	EJOT DELTA PT SCREW 45X12-Z	3
15	0081050181	SCREW FOR PLASTIC K50X18 T20	2
16	59007017000	CLAMP YDNAC 10096F (9,6MM)	1
17	58431082100	YDNAC-CLAMP 10173 (16MM) '98	1
18	55538086000	Clamp 1	2
19	55538087000	Clamp 2	2
20	55538083044	Tube set, oil tank	1
21	0025060506	HH collar screw M6x50 TX30	1
22	55738061052	Damping rubber	2

215553810

54511

* NEW PART

X ON DEMAND



POS	PARTNUMBER	PARTNAME	PIECE
1	5543010214415	Ignition cover cpl.	1
2	55430040000	IGNITION COVER GASKET	1
3	55439104100	Stator	1
4	55439105000	flywheel	1
5	0912050303	AH SCREW DIN0912-M 5X30	3
6	55440126000	BENDIX	1
7	55440001000	STARTER ENGINE	1
8	0025060256	HH collar screw M6x25 TX30	9
9	55540031000	Collar bushing	1
10	55440012000	BEARING BUSH	1
11	0025060306	HH collar screw M6x30 TX30	3
12	55440040044	PROTECTION CAP STARTER ENGINE	1
13	0770021260	O-RING 34,59X2,62	1
14	55641030000	Holder control unit	4
15	55439140220	Holding plate generator cable	1
16	49030090100	DOWEL 9,8 X7X10	2
18	59039034000	pulse generator KOKUSAN 4K3-A/B	1
19	0025050166	HH collar screw M5x16 TX30	2
22	55639007100	Ignition wire	1
23	55439193000	Spark plug	x
23	54739093000	SPARK PLUG NGK BR7ES	1
24	50231012000	SEALING CUP FOR SPARK PLUG	1
25	55639006000	Ignition coil	1
26	0025060256	HH collar screw M6x25 TX30	2
27	55641031000	Control device EFI	1

185543910

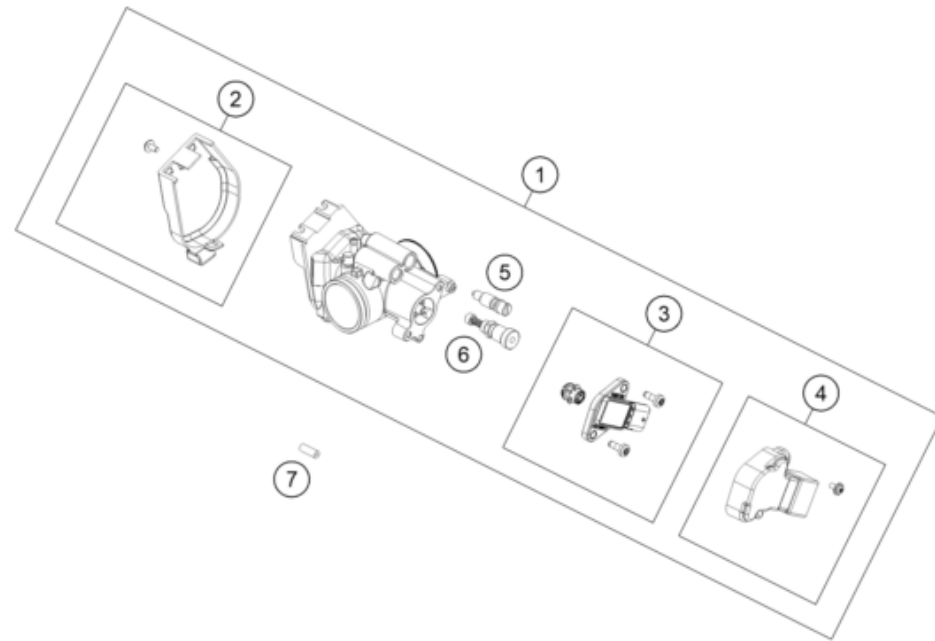
54857

* NEW PART

X ON DEMAND

THROTTLE BODY

Engine 250 EXC TPI 2023



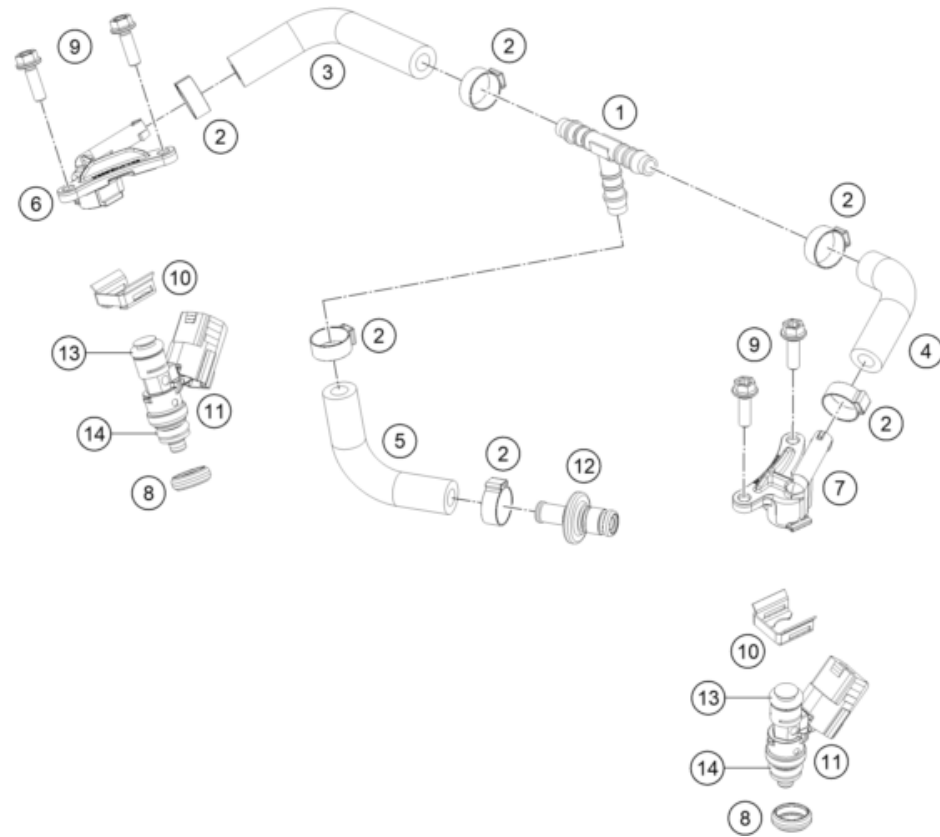
POS	PARTNUMBER	PARTNAME	PIECE
1	55741101000	Throttle body	1
2	55641056044	TVB cover compl.	1
3	55641077044	TPS compl.	1
4	55641078044	TPS cover compl.	1
5	55741060000	Idle screw	1
6	55741070000	Cold start button	1
7	55741101010	Locking cap	1

215574110

55590

* NEW PART

X ON DEMAND



POS	PARTNUMBER	PARTNAME	PIECE
1	55441007000	T-connector 7.5	1
2	00050153706	VARIABLE ONE-EAR CLAMP 15,3MM	6
3	55441019000	TPI hose right	1
4	55441018000	TPI hose left	1
5	55441020000	TPI supply hose	1
6	55541014000	injektor top right	1
7	55541013000	Injektor top left	1
8	55441024000	Protective ring	2
9	58605083014	SCREW M5X14 TORX 25 07	4
10	55441017000	Injector clip	2
11	55441023044	Injector right cpl.	2
12	77707010000	CONNECTOR FUEL PUMP	1
13	55641023020	O-ring	2
14	55641023010	O-ring	2

205554130

52704

* NEW PART

X ON DEMAND

A large, empty rectangular box with a thin black border, occupying the majority of the page. It is intended for the user to write notes related to the engine specifications mentioned in the header.

A large, empty rectangular box with a thin black border, occupying the majority of the page. It is intended for the user to write notes related to the engine specifications mentioned in the header.

A large, empty rectangular box with a thin black border, occupying the majority of the page. It is intended for the user to write notes related to the engine specifications mentioned in the header.

KTM.COM



083688WEN

KTM Sportmotorcycle GmbH
5230 Mattighofen, Austria
www.ktm.com



Art. Nr.: 083688WEN 7. Feb 2022