

Engine 250 EXC-F 2022 2022

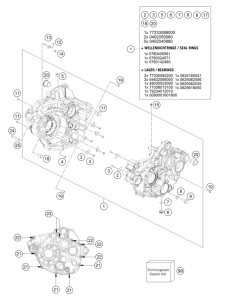
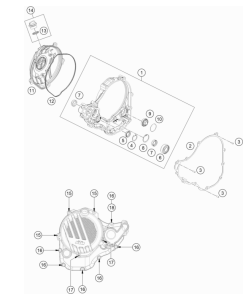
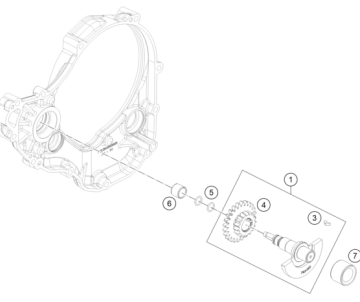
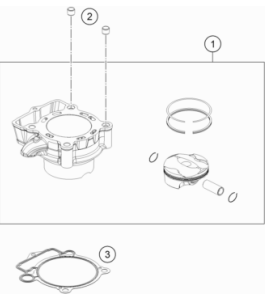
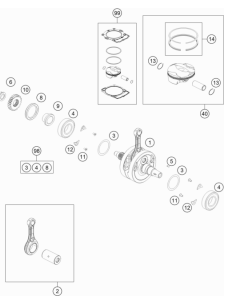
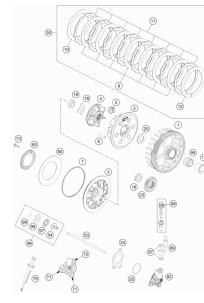
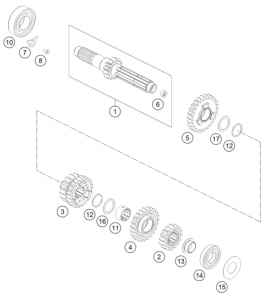
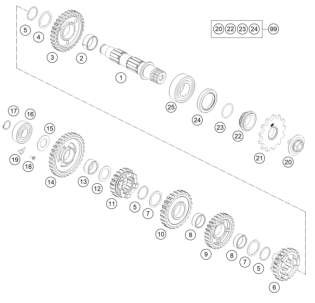
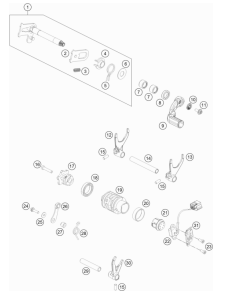
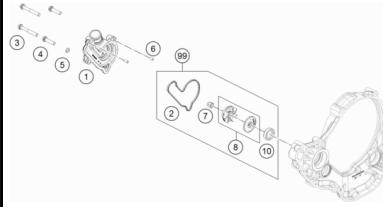
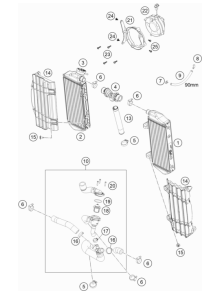
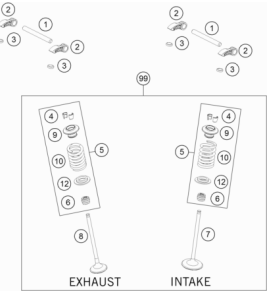
ART.-NR.: 089321VEN



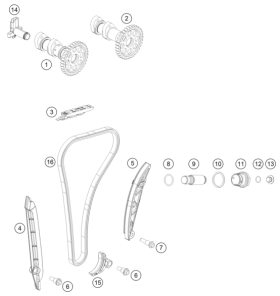


All information contained is without obligation. KTM Sportmotorcycle GmbH particularly reserves the right to modify any equipment, technical specifications, prices, colors, shapes, materials, services, service work, constructions, equipment and the like so as to adapt them to local conditions or to cancel any of the above items, all without previous announcement and without giving reasons. KTM may stop manufacturing certain models without previous notice. KTM shall not be held liable for any deviations of availability and/or ability to deliver, illustrations, descriptions, printing and/or other errors. The illustrated models partly contain extra equipment, which is not applied to standard models.

© by KTM Sportmotorcycle GmbH, Mattighofen AUSTRIA; All rights reserved; Reprint, also in extracts, with written allowance of KTM Sportmotorcycle GmbH, Mattighofen only.

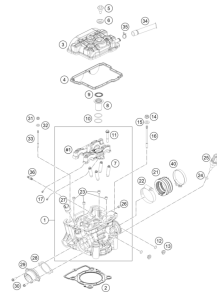
<p>ENGINE CASE</p>  <p>3</p>	<p>CLUTCH COVER</p>  <p>4</p>	<p>BALANCER SHAFT</p>  <p>5</p>	<p>CYLINDER</p>  <p>6</p>
<p>CRANKSHAFT, PISTON</p>  <p>7</p>	<p>CLUTCH</p>  <p>8</p>	<p>TRANSMISSION I - MAIN SHAFT</p>  <p>9</p>	<p>TRANSMISSION II - COUNTERSHAFT</p>  <p>10</p>
<p>SHIFTING MECHANISM</p>  <p>11</p>	<p>WATER PUMP</p>  <p>12</p>	<p>COOLING SYSTEM</p>  <p>13</p>	<p>VALVE DRIVE</p>  <p>14</p>

TIMING DRIVE



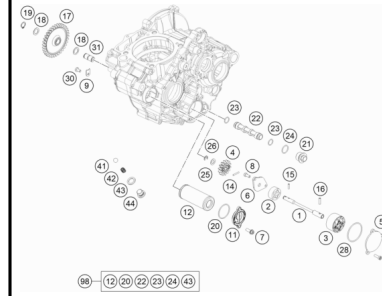
15

CYLINDER HEAD



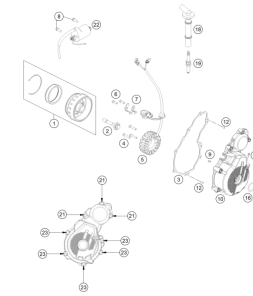
16

LUBRICATING SYSTEM



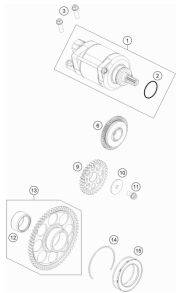
17

IGNITION SYSTEM



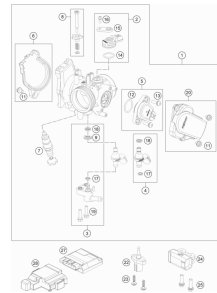
18

ELECTRIC STARTER

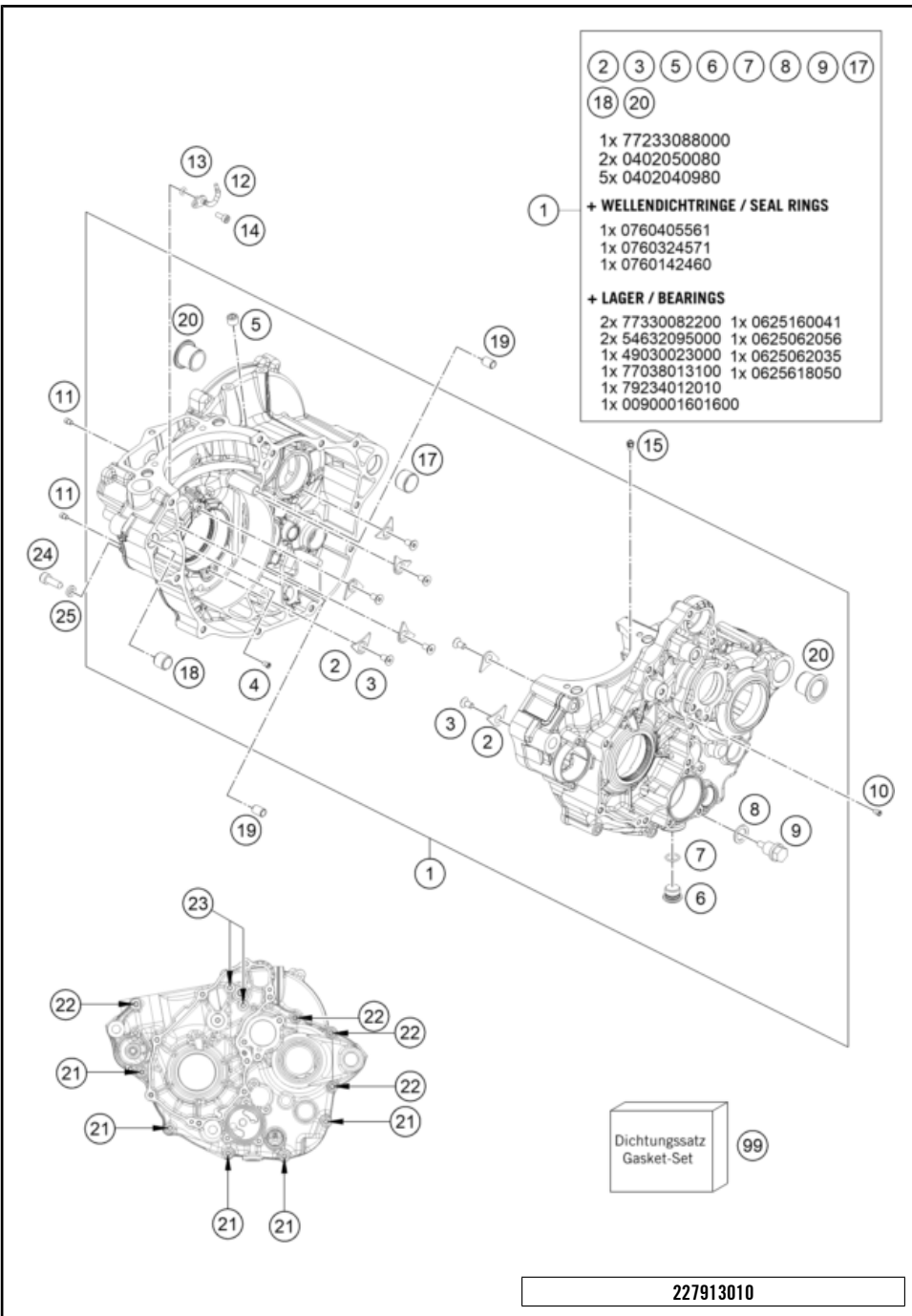


19

THROTTLE BODY



20



POS	PARTNUMBER	PARTNAME	PIECE
1	79330000144	Engine case compl.	1
2	75030085000	RETAINING PLATE F. CS BEARING	7
3	0019050121S	INT. TORX FLAT HEAD M5X12 T25	7
4	79330058040	Nozzle	1
5	0906100100	pipe plug DIN 906 M10x1	1
6	78036081000	HOLDING BOLT M14X1,5	1
7	0770110015	O-RING 1,5x11 SILICON	1
8	58038022000	CU-SEAL RING DIN7603-12X18X1,5	1
9	58030021000	OILDRAIN PLUG W.MAG. M 12X1,5	1
10	80030058060	OIL JET "60" M4	1
11	59030058000	JET 100 BING(44-031/180) M4	2
12	81230164050	OIL JET ANGLED 50	1
13	0770035020	O-RING 3,5X2,00 NBR	1
14	0912040103S	Cylinder screw DIN 912-M4x10-8.8 SS	1
15	60030063050	oil jet 50 M5	1
17	59030024000	DOWEL 17 X 19 X 12	1
18	54630027000	DOWEL BUSHING 13,8X11X12	1
19	59030023000	dowel sleeve 6x8x11.5	2
20	79230010000	CASE BUSH	2
21	0025060556	HH collar screw M6x55 TX30	5
22	0025060656	HH COLLAR SCREW M6X65 TX30	4
23	0025060706	HH COLLAR SCREW M6X70 TX30	2
24	77730080000	LOCATING SCREW M8 L=25	1
25	58030081000	CU-SEAL RING 8 X 14 X 3	1
99	79130099000	Engine sealing kit 250 Enduro	1

227913010

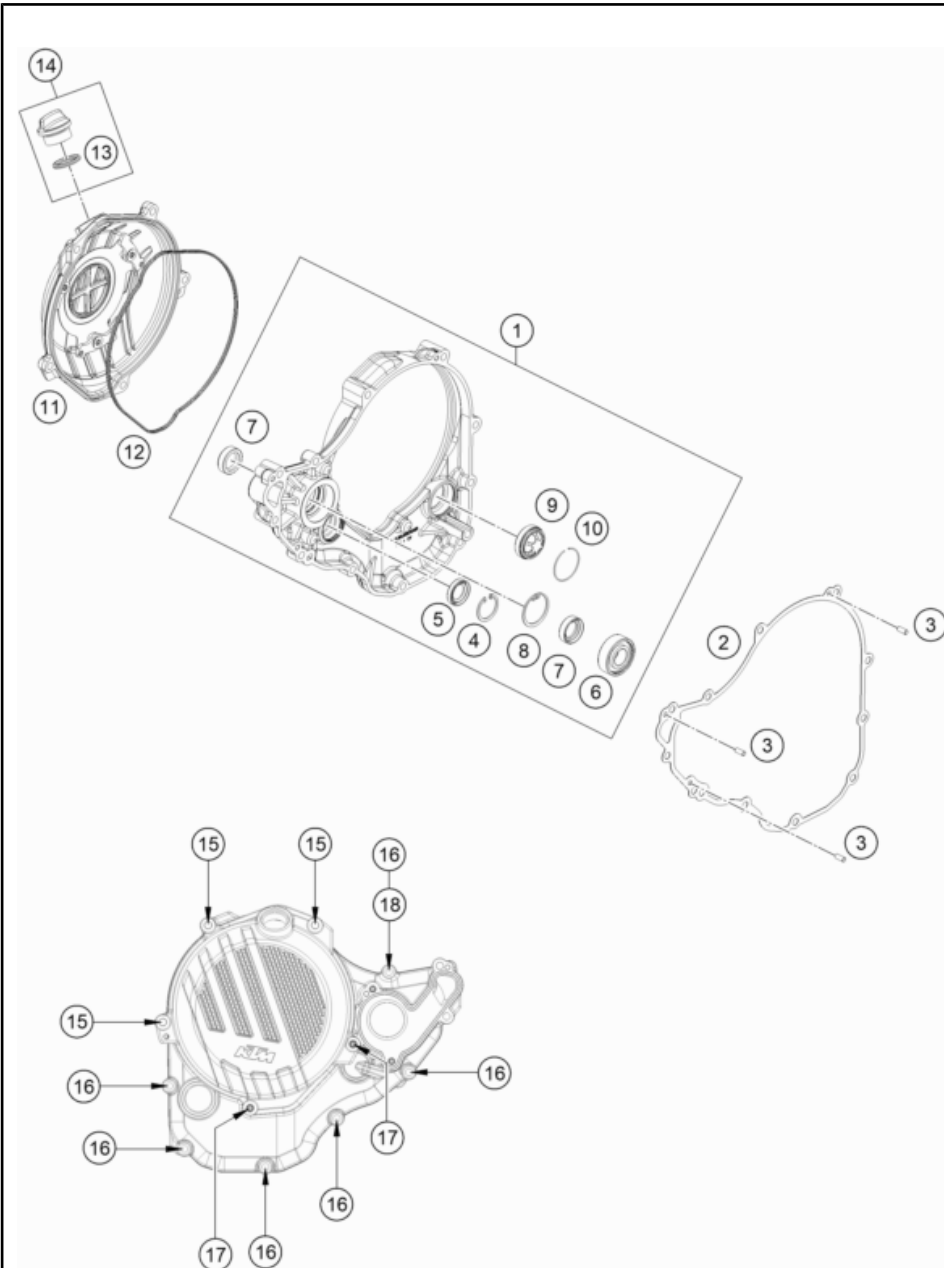
57023

* NEW PART

X ON DEMAND

CLUTCH COVER

Engine 250 EXC-F 2022 2022



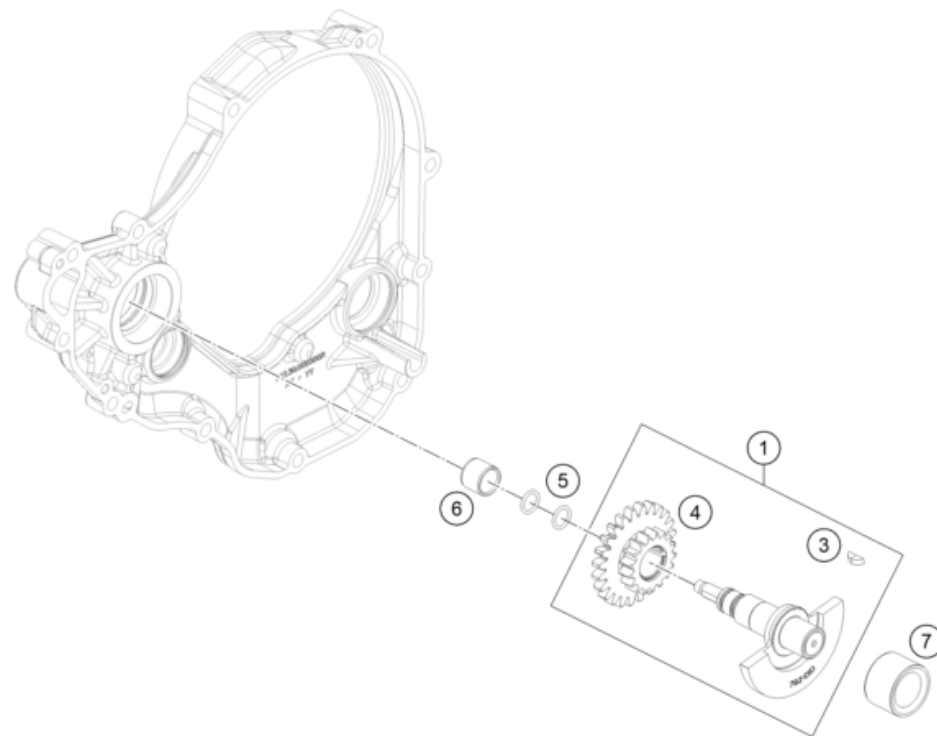
POS	PARTNUMBER	PARTNAME	PIECE
1	79230001044	CLUTCH COVER CPL.	1
2	79230025100	Clutch cover gasket	1
3	0402040980	NEEDLE ROL.DIN5402 NRB 4X9,8	3
4	0472024120	CIRCLIP DIN0472-24X1.2	1
5	0760142450	SHAFT SEAL RING 14X24X5 VITON	1
6	0625062022	BALL BEARING 6202 C0 2	1
7	07601530451	SHAFT SEAL RING 15X30X4.5 BAUD	2
8	0472300120	CIRCLIP 30X1,2	1
9	59030019200	OIL SIGHT GLASS	1
10	61030019050	CIRCLIP OIL LEVEL GLASS 03	1
11	7923012604415	OUTER CLUTCH COVER	1
12	79230027000	CLUTCH COVER GASKET OUTSIDE	1
13	0770191015	O-RING 19,00X3,00 NBR	1
14	79430020033	OIL FILLER CAP M24x3 WITH O-R	1
15	0025060456	HH COLLAR SCREW M6X45 TX30	3
16	0025060256	HH collar screw M6x25 TX30	6
17	0025060206	HH collar screw M6x20 TX30	2
18	0603061001	CU-SEAL RING DIN7603-6X10X1	1

207913020

52202

* NEW PART

X ON DEMAND



POS	PARTNUMBER	PARTNAME	PIECE
1	79236072133	balancing shaft pre assembled	1
3	0888030037	WOODRUFF KEY DIN6888-3X3,7	1
4	79236076100	timing assembly twin gear	1
5	07700900151	O-RING 9x1,5 V80 SH	2
6	77236072120	Wear bushing 12/15/12,5	1
7	0090001601600	Slide bearing bushing, balancer shaft	1

227913030

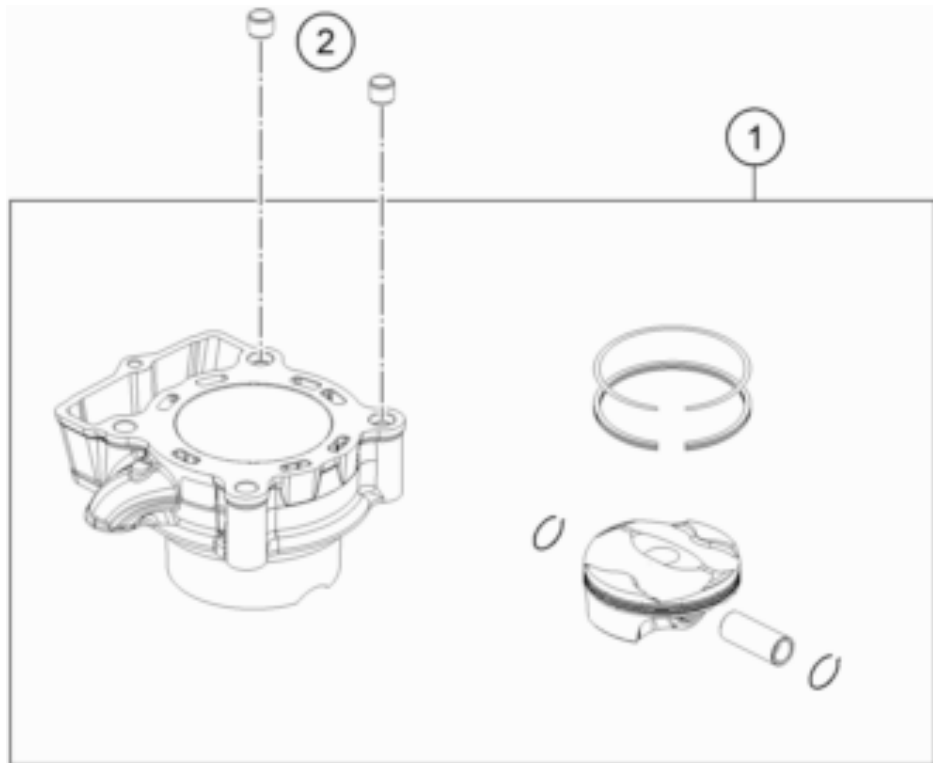
56429

* NEW PART

X ON DEMAND

CYLINDER

Engine 250 EXC-F 2022 2022



POS	PARTNUMBER	PARTNAME	PIECE
1	79130138000	Cylinder + Piston	1
2	58530014100	dowl sleeve 10.2x12.5x10	2
3	79230035000	CYLINDER BASE GASKET	1

137773040

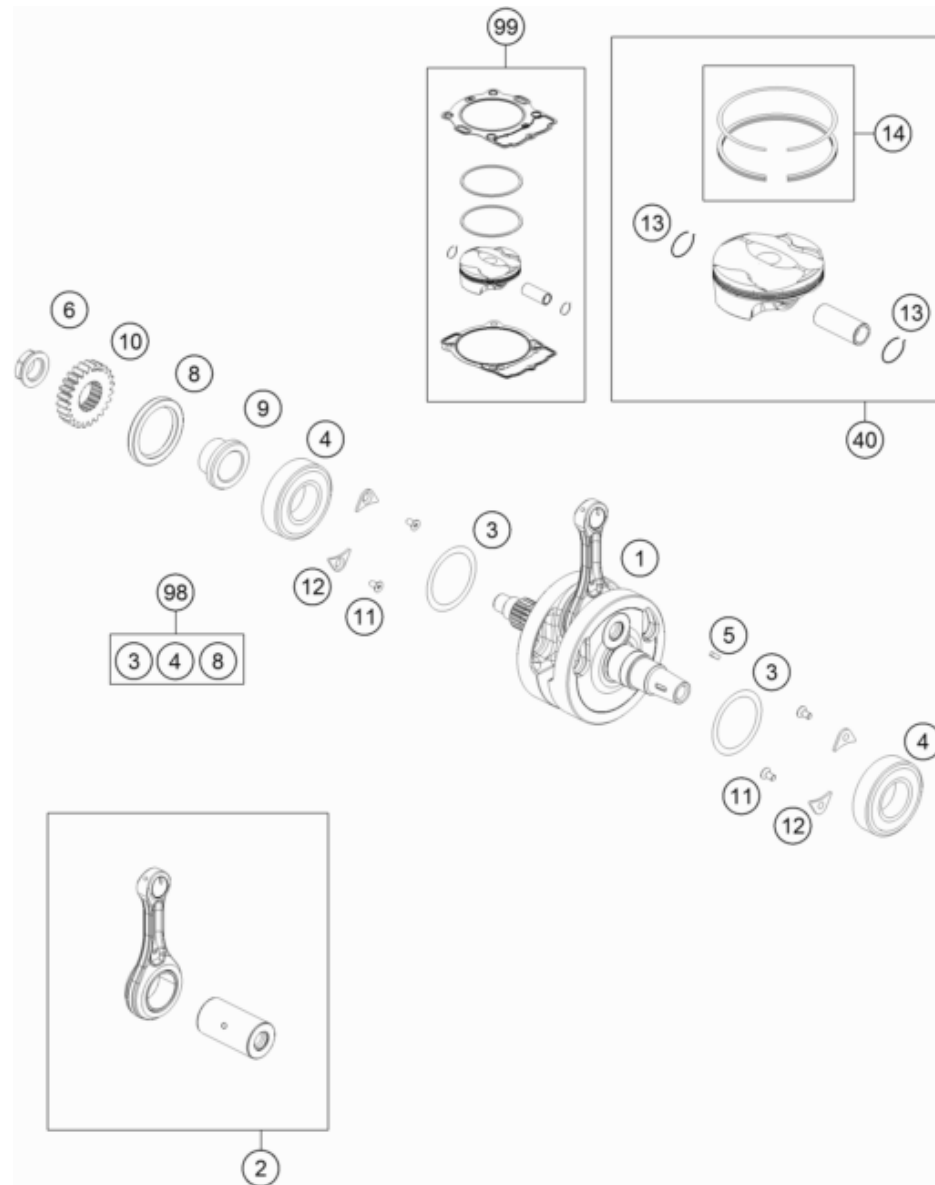
52197

* NEW PART

X ON DEMAND

CRANKSHAFT, PISTON

Engine 250 EXC-F 2022 2022



POS	PARTNUMBER	PARTNAME	PIECE
1	79030118100	CRANKSHAFT CPL.	1
2	79030115144	CONROD REPAIR KIT	1
3	0988324510	THRUST WASHER 988ST 32X0,1	x
3	0988324515	THRUST WASHER 988ST 32X0,15	x
3	0988324530	THRUST WASHER 988ST 32X0,30	x
4	77330082200	BEARING NJ 206 ECP/HN3C4HVA624	2
5	0888030037	WOODRUFF KEY DIN6888-3X3,7	1
6	77230029000	NUT PRIMARY WHEEL	1
8	0760405561	SHAFT SEAL RING A 40X55X6 V.	1
9	77232022000	SPACER BUSHING PRIMARY GEAR	1
10	79232023124	gear primary drive	1
11	0019050121S	INT. TORX FLAT HEAD M5X12 T25	4
12	75030085000	RETAINING PLATE F. CS BEARING	4
13	79030274000	CIRCLIP PISTON PIN	2
14	79030231044	PISTON RING SET	1
40	79030507000 I	PISTON I CPL. 250	x
40	79030507000 II	PISTON II CP 250	x
98	00050002316	CRANKSHAFT REP. KIT	x
99	00050000255	Piston kit group I	x
99	00050000256	Piston kit group II	x

177963060

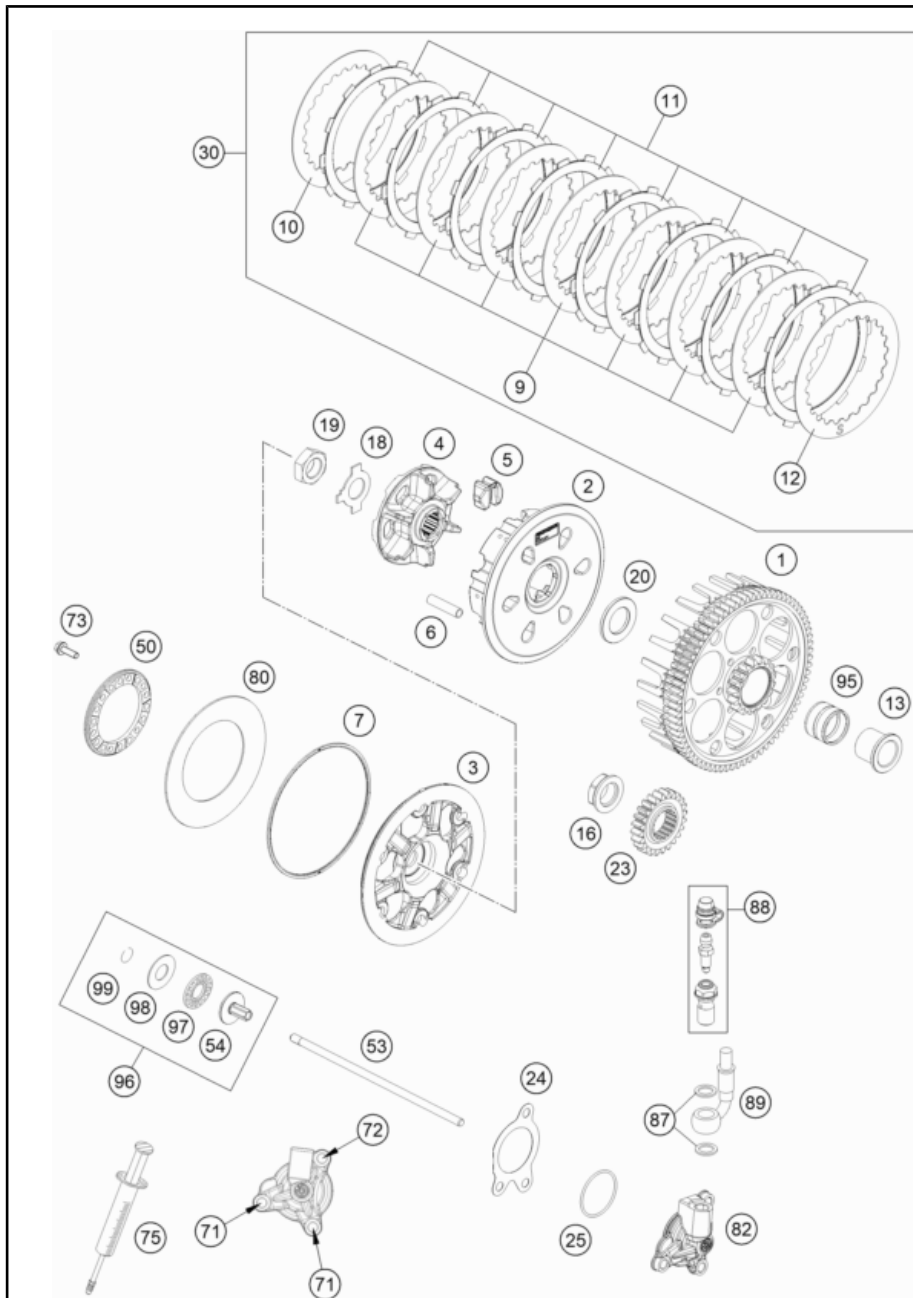
52219

* NEW PART

X ON DEMAND

CLUTCH

Engine 250 EXC-F 2022 2022



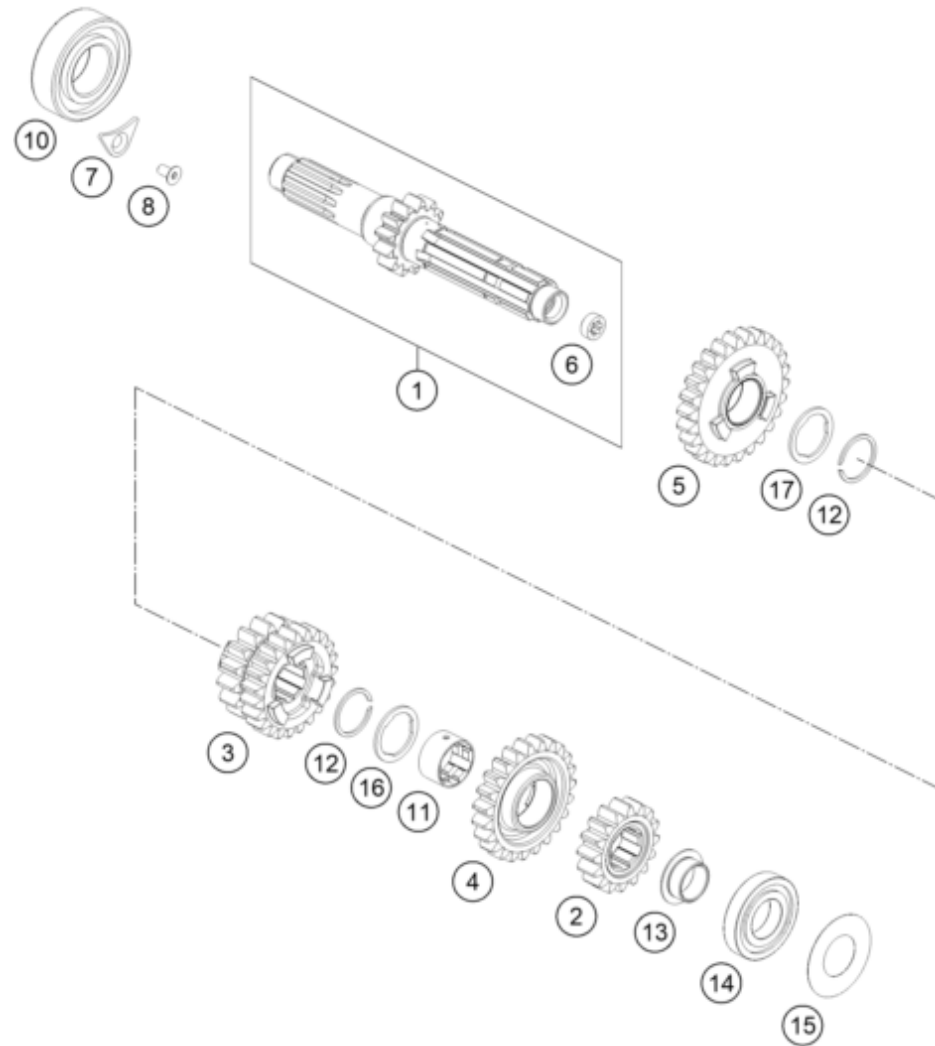
POS	PARTNUMBER	PARTNAME	PIECE
1	79232201073	CLUTCH BASKET EXC	1
2	78132002400	Inner clutch hub	1
3	79432003100	Clutch pressure plate	1
4	78132002211	Clutch center	1
5	78132025100	DAMPING RUBBER	6
6	77232004000	DRIVING SLEEVE D=7,95 L=38	6
7	78132013000	WASHER 112X118X1.5	1
9	59032010200	INTERMEDIATE DISC 1,4MM 2002	7
10	59032010100	INTERMEDIATE DISC 1MM 2002	1
11	79532011000	Lining disc 1,95mm	8
12	78932010000	INTERMEDIATE DISC 1MM	1
13	77232015000	INNER RING	1
16	0910001801000S	Nut M18x1.5 Precote	1
18	78132018000	TAB WASHER	1
19	0009361800800S	Hex nut DIN0936-M18x1.5 right	1
20	77232009000	WASHER 21,8 X 37 X 5,1	1
23	79232023124	gear primary drive	1
24	79232065000	GASKET FOR OUTPUT CYLINDER	1
25	0770300015	O-RING 30,00X1,50 NBR 70	1
30	79532010033	CLUTCH DISC PACKAGE	1
50	78132006200	Spring retainer	1
53	79232054000	PUSH ROD	1
54	78032057000	PRESSURE PIECE	1
71	0025060166	HH collar screw M6x16 TX30	2
72	0025060356	HH collar screw M6x35 TX30	1
73	0025050166	HH collar screw M5x16 TX30	6
75	50329050000	VENT INJEKTION HYDR. CLUTCH	1
80	78132005000	BELLEVILLE SPRING 71X115X1,5 I	1
82	79232061044	OUTPUT CYLINDER CPL.	1
87	0603082121	SEAL RING CU DIN7603- 8X12X1	2
88	79032064000	BLEEDER SCREW CPL.	1
89	79232063000	CLUTCH PIPE	1
95	56532095000	NEEDLE BEARING K26X30X22ZW.KSE	1
96	78032057044	PRESSURE PIECE CPL. 08	1
97	54637097200	AXIAL NEEDLE BEARING AXK 1226	1
98	54637098200	AXIAL WASHER AS1226 12X26X1	1
99	0993012000	CIRCLIP DIN7993-RW12	1

187963210

56919

* NEW PART

X ON DEMAND



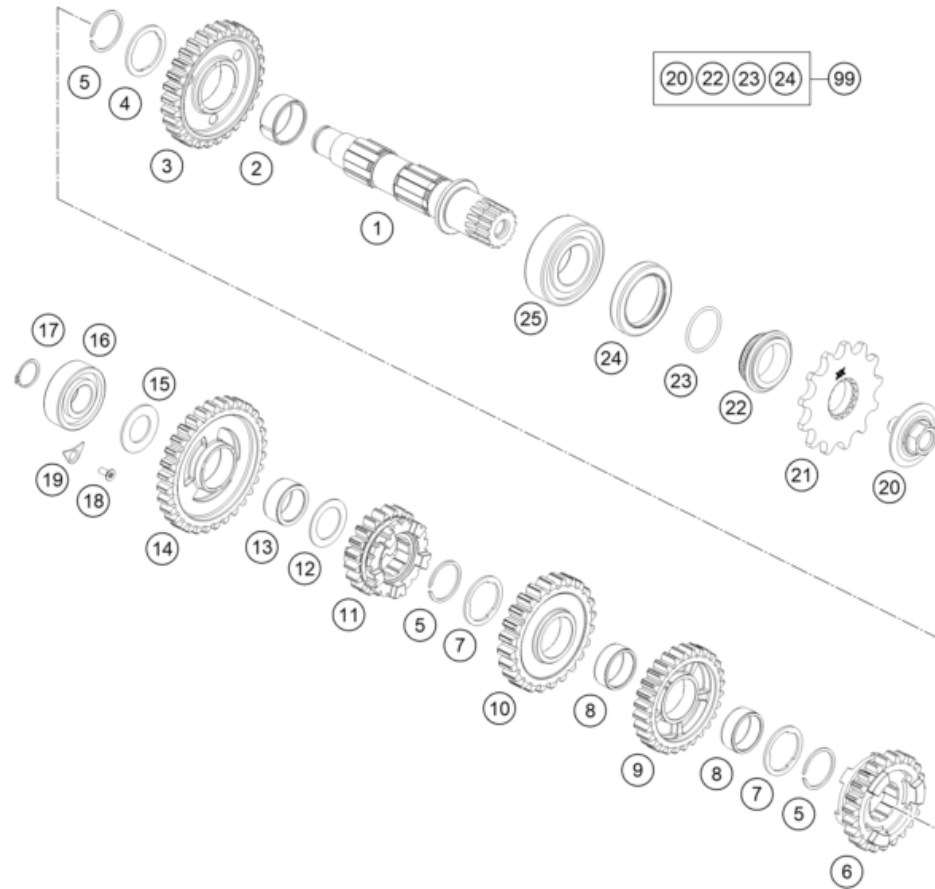
POS	PARTNUMBER	PARTNAME	PIECE
1	79133101000	Main shaft cmpl. 13teeth	1
2	79133102000	Fixed gear, 2nd gear, teeth=16	1
3	79133103000	Sliding gear, 3rd/4th gear, teeth=16/23	1
4	79133105000	Idler gear, 5th gear, teeth=23	1
5	79133206000	Idle gear, 6th gear cmpl.	1
6	79133001010	Buchse	1
7	75030085000	RETAINING PLATE F. CS BEARING	1
8	0019050121S	INT. TORX FLAT HEAD M5X12 T25	1
10	0625062056	Groove ball bearing 6205 C4 NTN	1
11	77733024000	IDLER GEAR BUSHING	1
12	50133090000	LOCK RING 22X1,2	2
13	79133027000	bushing	1
14	0625160041	BALL BEARING TM 16004 C4	1
15	77233088000	SPACER SHIM 21X42X0.2	1
16	77733021000	STOP DISC	1
17	77733022000	STOP DISC	1

217913330

54335

* NEW PART

X ON DEMAND



POS	PARTNUMBER	PARTNAME	PIECE
1	79133110000	Countershaft	1
2	0405242812	NEEDLE BEAR. K24X28X11,9 DIV.	1
3	79133212000	Idle gear, 2nd gear teeth=30	1
4	77733044000	STOP DISC 24X32X1,5	1
5	0417024000	CIRCLIP WS24	3
6	79133215000	Sliding gear, 5th gear, teeth=23	1
7	77733043000	STOP DISC 23,4X31X1,5	2
8	0405222611	NEEDLE BEAR.K 22X26X10 DIVIDED	2
9	79133214000	Idle gear, 4th gear teeth=28	1
10	79133213000	Idle gear, 3rd gear teeth=24	1
11	79133216000	Sliding gear, 6th gear, teeth=20	1
12	54833080000	STOP DISC 20,2X30X1	1
13	0405202612	NEEDLE BEARING K 20X26X12	1
14	79133211000	Idle gear, 1st gear teeth=32	1
15	77233020000	STOP DISK 17,2X30X1,3	1
16	0625062035	BALL BEARING 6203 JR2 C3	1
17	0471170015	CIRCLIP DIN 0471-17X1, 5	1
18	0019050121S	INT. TORX FLAT HEAD M5X12 T25	1
19	75030085000	RETAINING PLATE F. CS BEARING	1
20	59033034044	SCREW 10.9+SPRING WASHER	1
21	79233029013	SPROCKET 13T	x
21	79233129014	ENGINE SPROCKET 14Z	x
22	78133014000	SPACER SLEEVE COUNTER	1
23	0770020220	O-RING 25,12X1,78 NBR70	1
24	0760324571	SHAFT SEAL RING 32X45X7 BSLNBR	1
25	49030023000	cylindrical roller bearing NJ205	1
99	00050000941	COUNTER SHAFT REP.KIT 4 STROKE	x

217913360

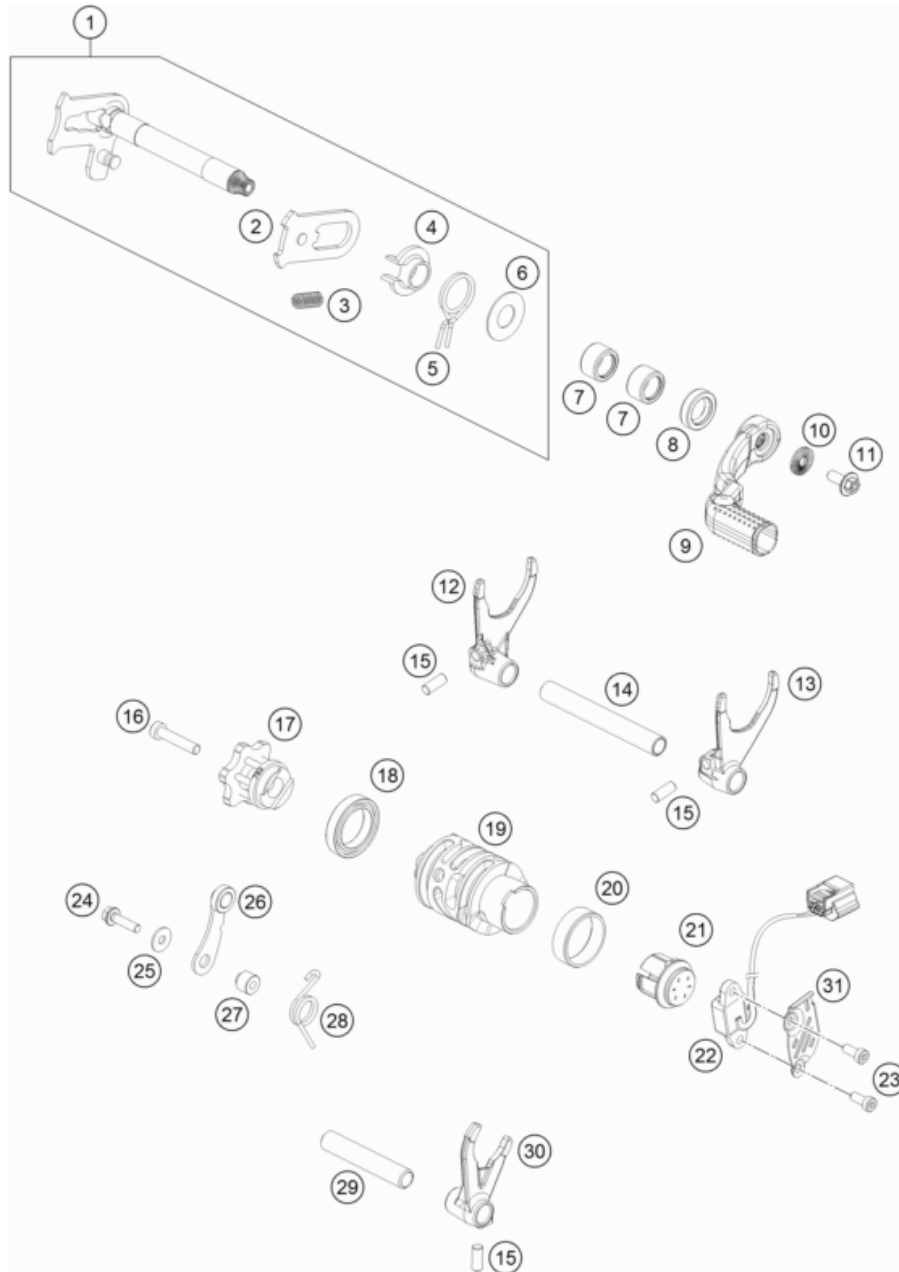
54336

* NEW PART

X ON DEMAND

SHIFTING MECHANISM

Engine 250 EXC-F 2022 2022



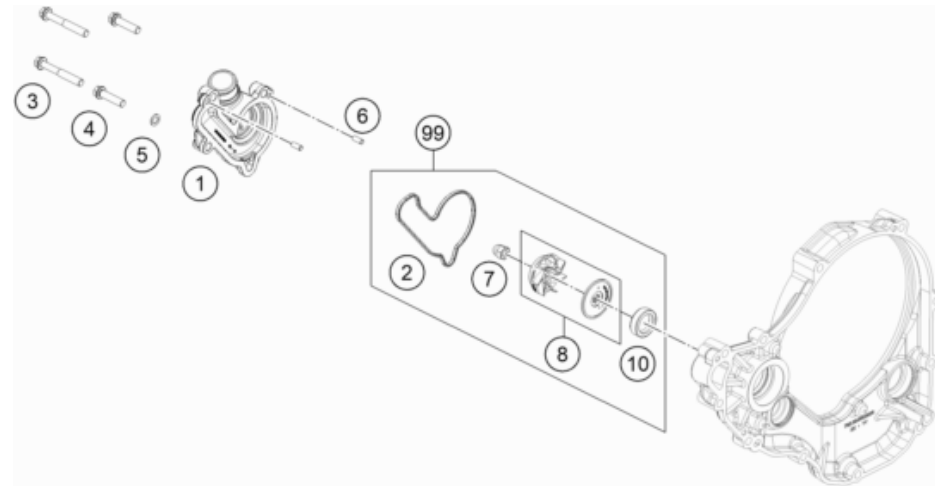
POS	PARTNUMBER	PARTNAME	PIECE
1	79234005133	SHIFT SHAFT CPL.	1
2	79234008144	SLIDING PLATE CPL.	1
3	56534013100	TENSIONING SPRING 0,8MM	1
4	54634020000	SPRING GUIDE	1
5	54834014000	RETURN SPRING 03	1
6	54634050000	STOP DISK 14X30X1	1
7	54632095000	needle sleeve HK 1412 14x20x12	2
8	0760142460	radial shaft seal 14x24x6 B	1
9	79234031100	SHIFT LEVER CPL.	1
10	50233041500	PAIR NORDLOCK WASHER M6	1
11	0024060156S	HH collar screw M6x15 TX30	1
12	79234103000	SHIFT FORK 1.-3. GEAR	1
13	79234102000	SHIFT FORK 2.-4. GEAR	1
14	77034019000	SHIFTING MAIN L=93MM 05	1
15	0402061480	NEEDLE ROLLER DIN5402 6X14,8	3
16	0012060303S	Cap head screw M6x30-8.8	1
17	79234015100	Shift star cpl	1
18	0625618050	BALL BEARING 61805 C3	1
19	79234112000	SHIFT ROLLER	1
20	79234012010	FRICTION BEARING CONTROLLER	1
21	79234012020	magnet holder cpl.	1
22	79211023000	gear position sensor	1
23	0984050143S	CYL. SCREW DIN6912 M5X14 8.8	2
24	0025050256S	HH collar screw M5x25 TX30	1
25	0021050003	washer DIN 9021 A - 5.3	1
26	79234024044	LOCKING LEVER CPL.	1
27	54634052300	SLEEVE FOR LOCKING LEVER	1
28	54834023000	LOCKING LEVER SPRING 03	1
29	54834019000	SHIFT. RAIL MAIN SHAFT 250/300	1
30	79034101000	SHIFT FORK 5.-6. GEAR	1
31	79211024100	Guard plate motion sensor	1

167743411

54326

* NEW PART

X ON DEMAND



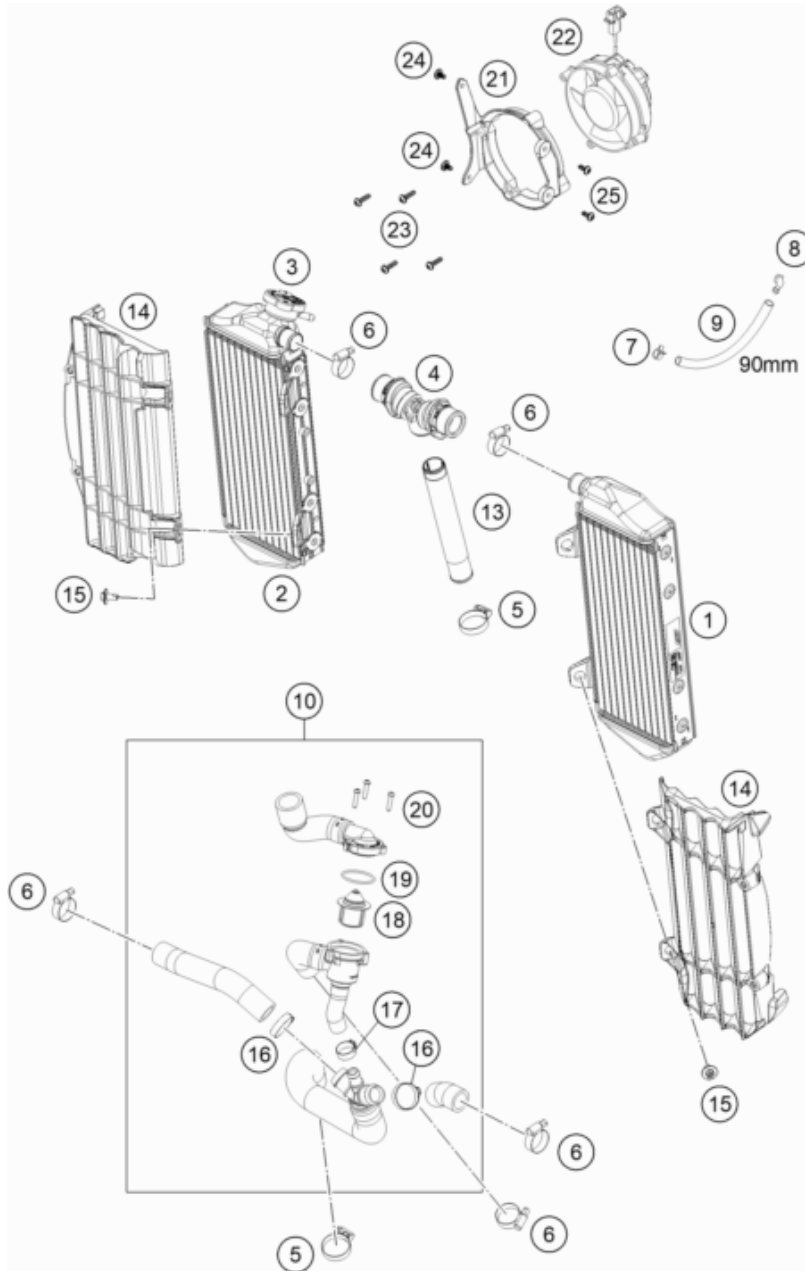
POS	PARTNUMBER	PARTNAME	PIECE
1	79235052000	WATER PUMP COVER	1
2	79235053000	GASKET F. WATER PUMP COVER	1
3	0025060456	HH COLLAR SCREW M6X45 TX30	2
4	0025060256	HH collar screw M6x25 TX30	2
5	0603061001	CU-SEAL RING DIN7603-6X10X1	1
6	0402040980	NEEDLE ROL.DIN5402 NRB 4X9,8	2
7	61230045000	CAP NUT M6 STAINLESS STEEL	1
8	79235055044	WATER PUMP WHEEL CPL.	1
10	07601530451	SHAFT SEAL RING 15X30X4.5 BAUD	1
99	79235055015	WATER PUMP REP. KIT	1

207913510

52688

* NEW PART

X ON DEMAND



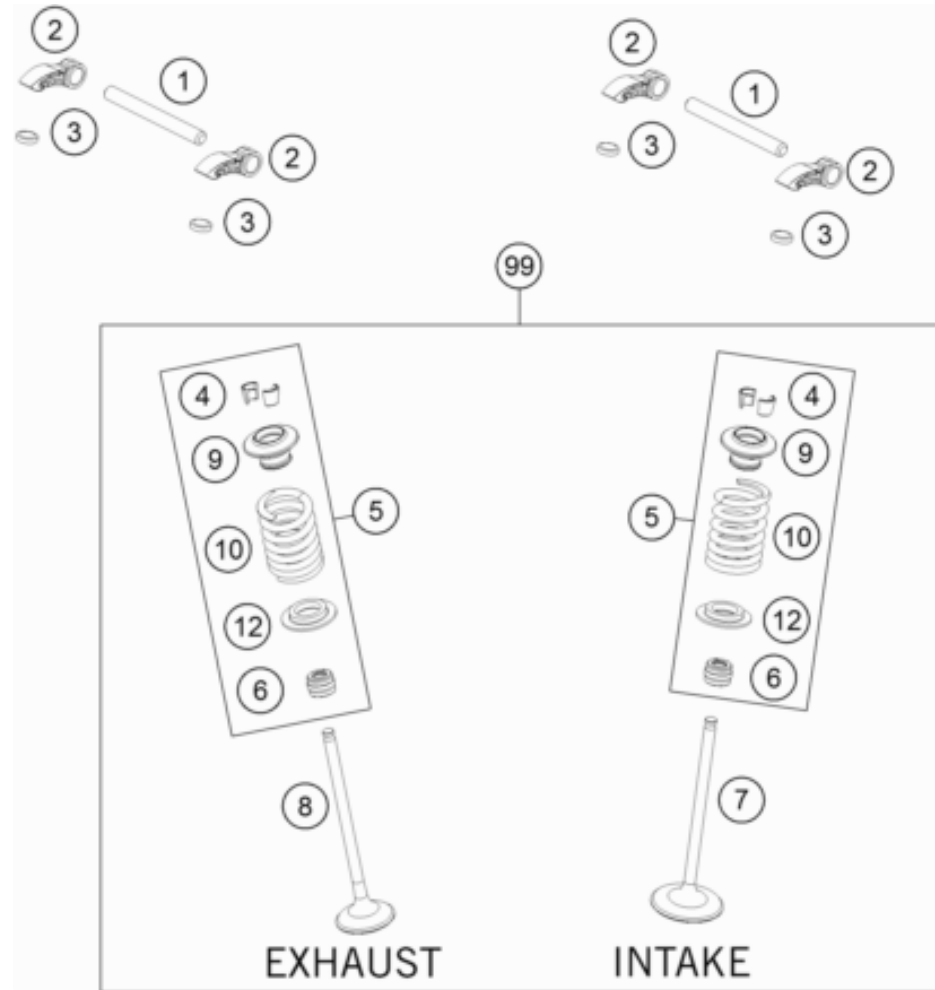
POS	PARTNUMBER	PARTNAME	PIECE
1	50535007100	Radiator, left 19	1
2	79535008100	Radiator right	1
3	79035016000	RADIATOR CAP 1,8 BAR	1
4	79135071044	Y-hose cpl.	1
5	79135031000	Hose clip 22-33	2
6	42013037400	HOSE CLAMP NORMA 14/24	5
7	59007017000	CLAMP YDNAC 10096F (9,6MM)	1
8	50303089000	ANGLE PIECE '97	1
9	50335030001	PVC-HOSE 6X9	x
10	79135026033	preformed hose w. therm	1
13	79135073000	threaded bushing	1
14	7913503400030	radiator protector le/ri black	2
15	0024060123	COLLAR SCREW M6X12 TX	4
16	00050271708	VARIABLE ONE-EAR CLAMP 27,1MM	2
17	00050185154	VARIABLE ONE-EAR CLAMP 18,5MM	1
18	59435017000	THERMOSTAT 70 DEGREE 04	1
19	0770320020	O-RING 32,00X2,00	1
20	0016040183	SCREW FOR PLASTIC D=4X18	3
21	79635943000	FAN BRACKET	1
22	58435041000	FAN CPL. 12V LC4 2000	1
23	0081050181	SCREW FOR PLASTIC K50X18 T20	4
24	0080150100	EJOT SHEETTRACS SCREW 50X10	2
25	0081050121	EJOT PT screw K50x12	2

207913530

52207

* NEW PART

X ON DEMAND



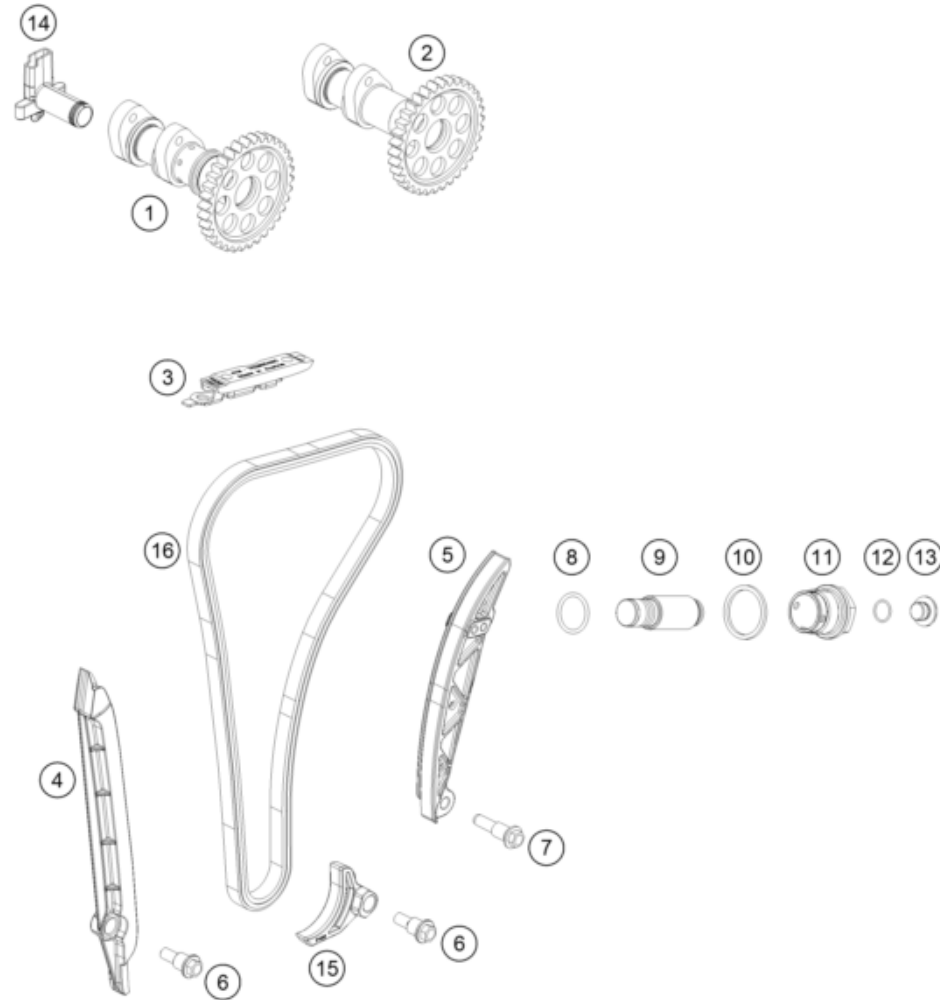
POS	PARTNUMBER	PARTNAME	PIECE
1	77236056100	Cam follower shaft	2
2	77236060100	VALVE LEVER	4
3	77036035172	SHIM D=8,9/1,72	x
3	77036035176	SHIM D=8,9/1,76	x
3	77036035180	SHIM D=8,9/1,80	x
3	77036035184	SHIM D=8,9/1,84	x
3	77036035188	SHIM D=8,9/1,88	x
3	77036035192	SHIM D=8,9/1,92	x
3	77036035196	SHIM D=8,9/1,96	x
3	77036035200	SHIM D=8,9/2,00	x
3	77036035204	SHIM D=8,9/2,04	x
3	77036035208	SHIM D=8,9/2,08	x
3	77036035212	SHIM D=8,9/2,12	x
3	77036035216	SHIM D=8,9/2,16	x
3	77036035220	SHIM D=8,9/2,20	x
3	77036035224	SHIM D=8,9/2,24	x
3	77036035228	SHIM D=8,9/2,28	x
3	77036035232	SHIM D=8,9/2,32	x
3	77036035236	SHIM D=8,9/2,36	x
3	77036035240	SHIM D=8,9/2,40	x
3	77036035244	SHIM D=8,9/2,44	x
3	77036035248	SHIM D=8,9/2,48	x
3	77036035252	SHIM D=8,9/2,52	x
3	77036035256	SHIM D=8,9/2,56	x
3	77036035260	SHIM D=8,9/2,60	x
4	77036033000	valve collet	8
5	79036028044	VALVE SPRING KIT EXHAUST	2
6	77036027000	VALVE-STEM SEALING 05	4
7	77736030000	INTAKE VALVE	2
8	77736031000	EXHAUST VALVE	2
9	79036132000	VALVE SPRING PLATE	4
10	77736028000	VALVE SPRING NHK HUB 10MM	4
12	77736136000	VALVE SPRING HOLDER	4
99	79036030110	VALVE KIT 250 EXC-F 2017	1

177963610

54328

* NEW PART

X ON DEMAND



POS	PARTNUMBER	PARTNAME	PIECE
1	79036109100	Camshaft inlet valve	1
2	79036110100	Camshaft exhaust valve	1
3	79236004000	TIMING CHAIN GUIDE TOP	1
4	79236001000	GUIDE RAIL	1
5	79236002000	TENSIONING RAIL	1
6	77236001160	BUSHING SCREW M6	2
7	77236002160	BUSHING SCREW M8	1
8	0770180020	o-ring 18.00x2.00 NBR70	1
9	77036003000	CHAIN ADJUSTER HYD. 05	1
10	0603242920	CU SEAL-RING DIN7603 A24X29X2	1
11	77336008000	HOLDING BOLT M24X1,5	1
12	0770010010	o-ring 10.00x1.00 NBR70	1
13	77236080100	threaded plug	1
14	77236081000	ANGLE PIECE F. BREATHER SYSTEM	1
15	77236005000	SECURING PROTECTION	1
16	79236013100	TIMING CHAIN	1

157903620

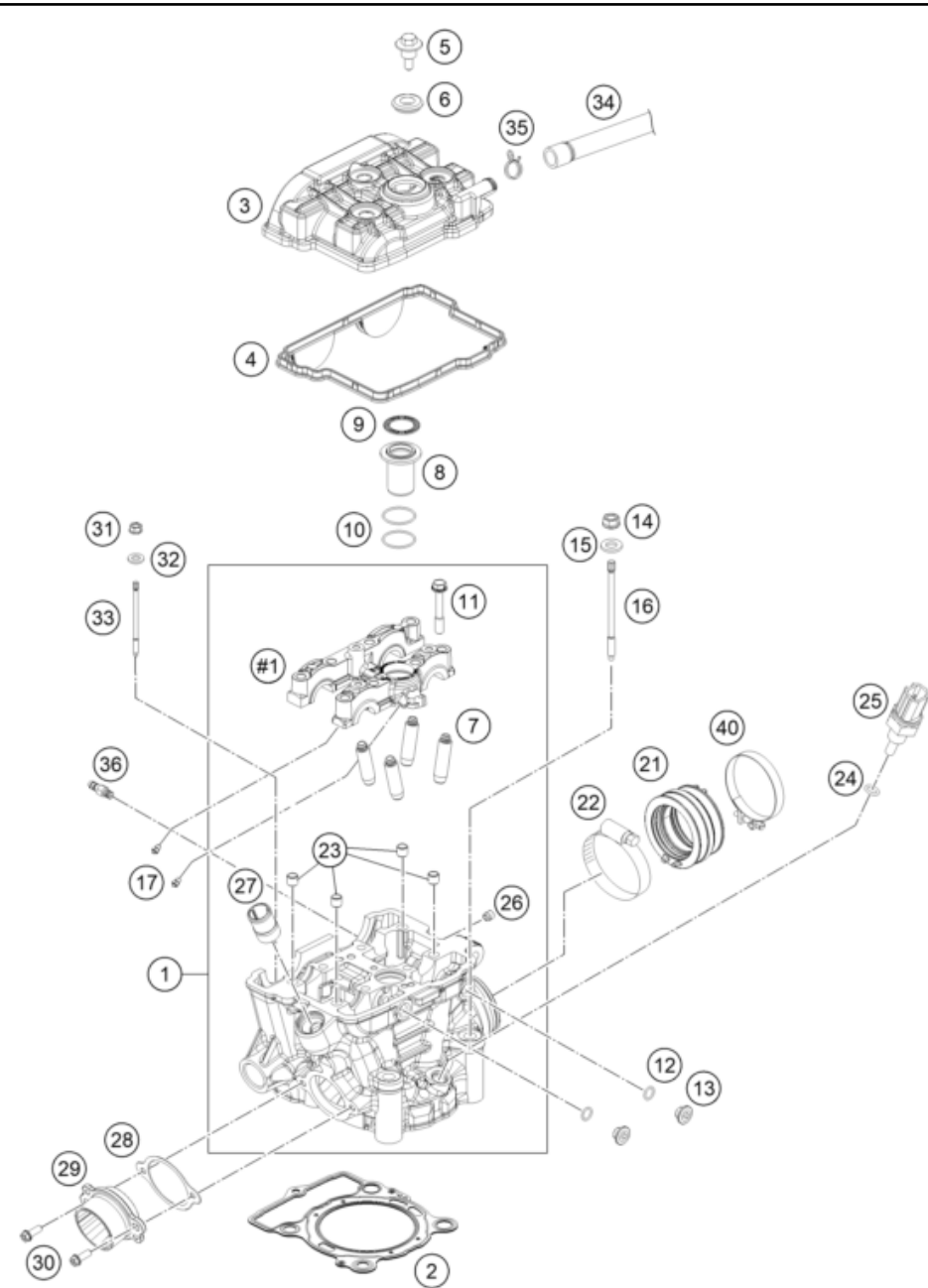
52204

* NEW PART

X ON DEMAND

CYLINDER HEAD

Engine 250 EXC-F 2022 2022



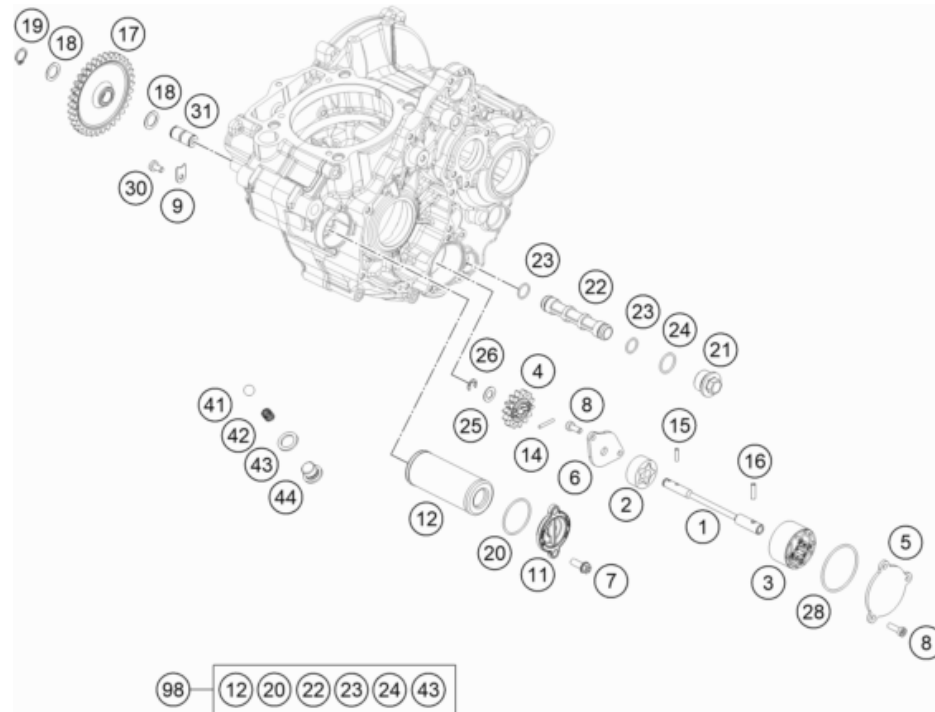
POS	PARTNUMBER	PARTNAME	PIECE
1	79036320044	Cylinder head EU5 compl.	1
2	79030036096	CYLINDER HEAD GASKET	1
3	7773605200033	VALVE COVER	1
4	77736053000	VALVE COVER GASKET	1
5	77336054150	VALVE COVER SCREW	3
6	77036054150	RUBBER GASKET FOR SCREW	3
7	77136026001	VALVE GUIDE OUTLET	4
8	77736075000	INSERT SPARK-PLUG SHAFT	1
9	77336053050	GASKET SPARK-PLUG SHAFT	1
10	0770260015	O-RING 1,5x26	2
11	77330067242	Collar screw M7x1x42	8
12	07700900151	O-RING 9x1,5 V80 SH	2
13	77236080000	SCREW PLUG	2
14	77336088210	COLLAR NUT M10X1,25 SW13	4
15	77336089010	washer 19x10.5x2.5	4
16	79230044000	STUD BOLT M10X1,25	4
17	60030063050	oil jet 50 M5	4
21	79236044100	RUBBER CUP	1
22	61036047000	HOSE CLAMP GEMI 63MM 05	1
23	77036090000	DOWEL(BUSH BRIDGE)7/9/8 05	4
24	0770100020	o-ring 10.00x2.00 silicone	1
25	79435047000	water temperature sensor	1
26	59030296000	SCREW PLUG	1
27	58030010200	SCREW IN NOZZLE M20X1,5	1
28	77236041000	GASKET EXHAUST FLANGE	1
29	79136039000	Exhaust flange	1
30	0025060166S	HH collar screw M6x16 TX30 SL	2
31	77336088106	COLLAR NUT M6X1 SW8	1
32	0125060003	WASHER DIN0125-A 6,4	1
33	79230043000	STUD BOLT M6	1
34	77538087000	ENGINE BREATHER TUBE	1
35	58431082300	CLAMP YDNAC 10173 (18MM)	1
36	60036023100	VACUUM CONECTION M6/0,5MM	1
40	77236048000	HOSE CLAMP GEMI 58MM	1

21A5403630

55332

* NEW PART

X ON DEMAND



POS	PARTNUMBER	PARTNAME	PIECE
1	79238002100	Oil pump shaft	1
2	59038011112	OILPUMP ROTOR-SET 12MM CPL.	1
3	61238111000	ROTOR-SET CPL. 22MM	1
4	77038001100	OIL PUMP GEAR 14T 08	1
5	79238004000	OIL PUMP COVER LEFT	1
6	79238003000	OIL PUMP COVER RIGHT	1
7	0025060166	HH collar screw M6x16 TX30	2
8	0984050143S	CYL. SCREW DIN6912 M5X14 8.8	5
9	77238061050	AXIAL-CIRCLIP	1
11	77338041200	OIL FILTER COVER 08	1
12	77338005100	OIL FILTER	1
14	0402251980	NEEDLEROL.DIN5402 NRA 2,5X19,8	1
15	0402251180	NEEDLE ROLLER DIN5402 2,5X11,8	1
16	0402041580	needle roller NRB 4x15.8 G2	1
17	79238006100	Oil pump idler-gear	1
18	0988121805	SHIM WASHER DIN0988-12X18X0,50	2
19	0471120010	retaining ring DIN 471 12x1	1
20	07703305178	O-RING 33,05X1,78	1
21	59038017100	PLUG M20X1,5 WS=13	1
22	59038016100	OIL SCREEN	1
23	07701250151	O-RING 12,5X1,5 VITON V75	2
24	0770020170	O-RING 17,17X1,78 GLO	1
25	58038007755	STOP DISK 8,1 X 15 X 0,5	1
26	0799060000	TAB WASHER DIN6799-RS 6,0	1
28	0770440020	O-RING 44,00X2,00 VITON	1
30	0018050103S	Oval head screw DIN 7985-M5x10-8.8	1
31	77038013100	BUSHING PIN	1
41	0401090003	BALL DIN5401-9	1
42	58038023300	PRESSURE SPRING L=25MM D=1MM	1
43	58038022000	CU-SEAL RING DIN7603-12X18X1,5	1
44	78036024000	PLUG SCREW SAS M12X1,5	1
98	00050000083	OILFILTER-GASKET SET 350 SX-F	x

207913810

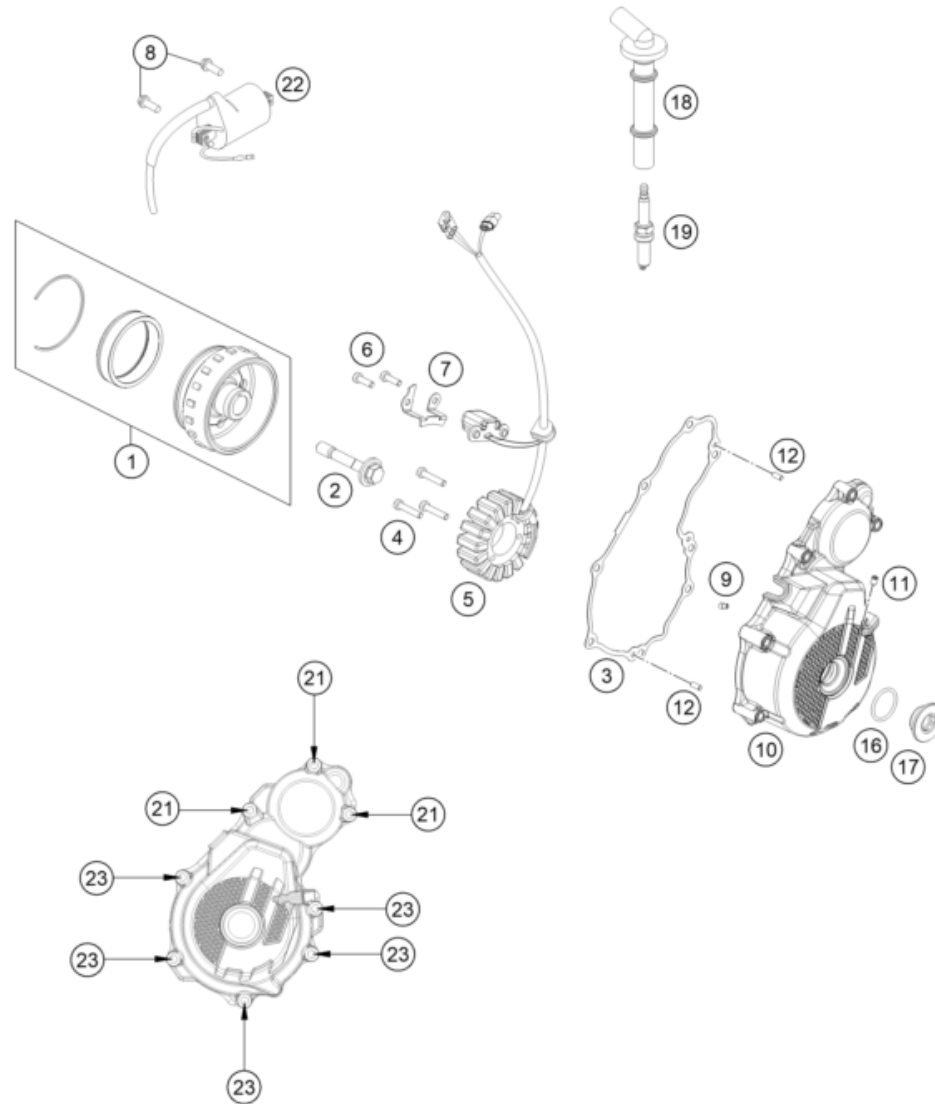
54324

* NEW PART

X ON DEMAND

IGNITION SYSTEM

Engine 250 EXC-F 2022 2022



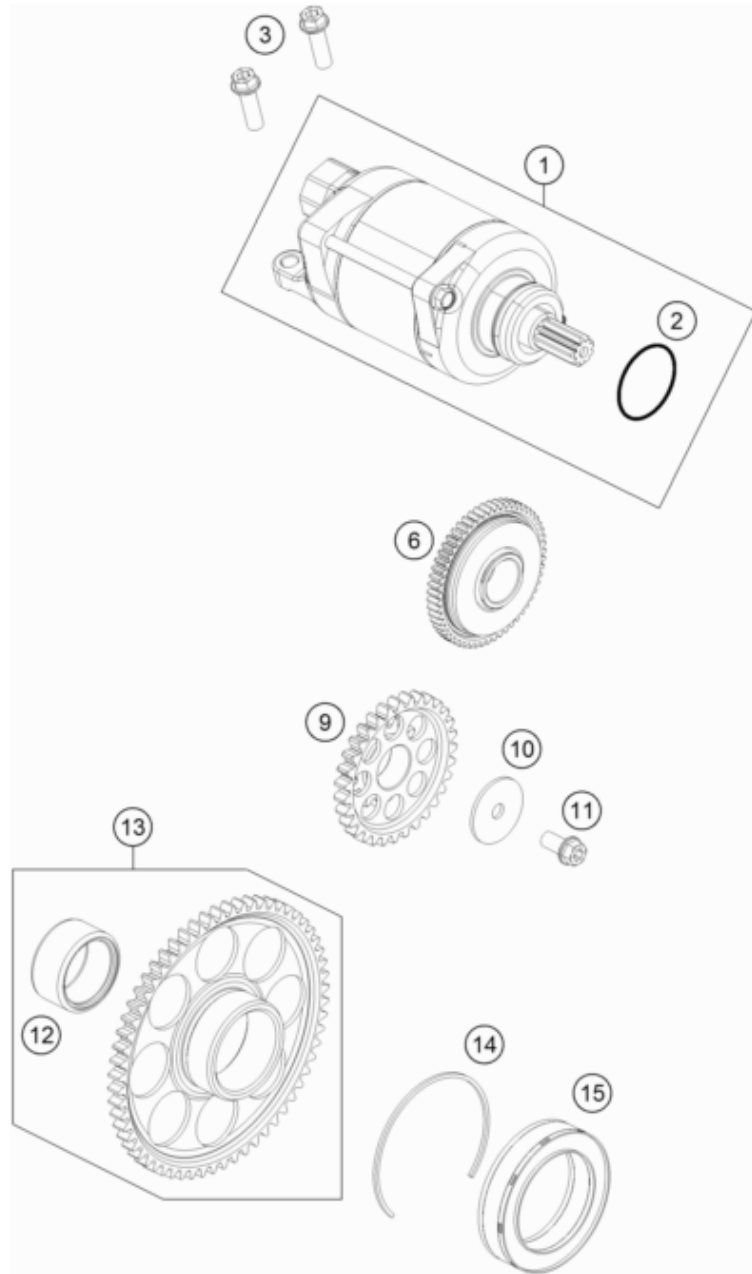
POS	PARTNUMBER	PARTNAME	PIECE
1	79239105044	ROTOR EFI CPL.	1
2	77339010100	FLYWHEEL SCREW	1
3	79230040000	IGNITION COVER GASKET	1
4	0012050303S	Cap head screw DIN 6912 - M5x30 self loc	3
5	79239104100	Stator	1
6	0912050163S	Cap head screw DIN912 - M5x16 - 8.8	2
7	79230102050	CABLE BRACKET	1
8	0026060186	COLLAR SCREW M6X18 ISA30	2
9	80030058060	OIL JET "60" M4	1
10	7923010210015	Ignition cover	1
11	0913050063S	THREAD PIN DIN 913 M5X6	1
12	0402040980	NEEDLE ROL.DIN5402 NRB 4X9,8	2
16	07700240251	o-ring 24.00x2.50 Viton	1
17	7723000216030	SCREW PLUG M24X1,5	1
18	77739090000	SPARK PLUG CONNECTOR	1
19	77839093000	spark plug NGK LMAR9AI-10	1
21	0025060306	HH collar screw M6x30 TX30	3
22	58439006000	IGNITIONCOIL IG3826 KOKUSAN'96	1
23	0025060406	HH collar screw M6x40 TX30	5

217913910

56921

* NEW PART

X ON DEMAND



POS	PARTNUMBER	PARTNAME	PIECE
1	79240001000	E-STARTER ENGINE CPL.	1
2	0770250030	O-RING 25,00X3,00 NBR 70	1
3	0025060256	HH collar screw M6x25 TX30	2
6	79240016100	Torque limiter	1
9	79240022100	Intermediate starting gear	1
10	79240017000	STOP DISC 6X26X1,5	1
11	0025060126	HH collar screw M6x12 TX30	1
12	0618253216	NEEDLE BUSH HK2516 25/32/16 02	1
13	79240020033	freewheel gear cpl.	1
14	0472057150	CIRCLIP DIN0472-57X1,50	1
15	79240026000	FREEWHEEL	1

197964010

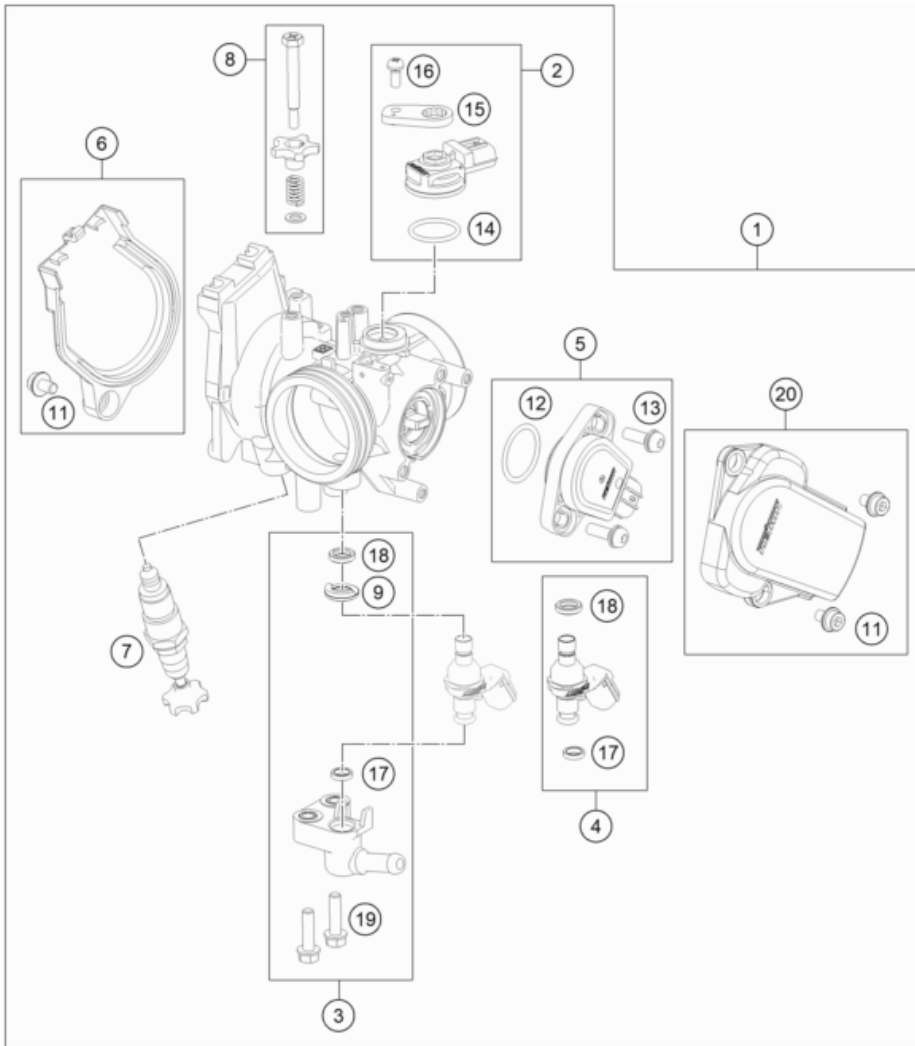
52220

* NEW PART

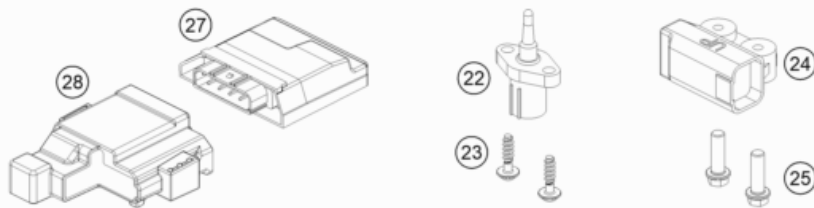
X ON DEMAND

THROTTLE BODY

Engine 250 EXC-F 2022 2022



POS	PARTNUMBER	PARTNAME	PIECE
1	79741101000	throttle body	1
2	77741085044	MAP SENSOR CPL.	1
3	79041013044	FUEL PIPE CPL.	1
4	79441023044	INJECTOR CPL.	1
5	79041077044	TPS CPL.	1
6	79141056044	DKK Cover cpl.	1
7	79041070000	STARTER VALVE CPL.	1
8	77741060044	IDLING ADJUSTING SCREW CPL.	1
9	79041023030	SEAL RING	1
11	79041056020	SPECIAL SCREW	1
12	75041077110	O-RING	1
13	61041077020	SCREW THROTTLE POS. SENSOR	2
14	75041085010	O-RING	1
15	77741085020	PLATE	1
16	81241085030	SPECIAL SCREW	1
17	60341023020	O-RING	1
18	75041023010	SEAL RING	1
19	79041013060	SPECIAL SCREW M5X20	2
20	79141078044	TPS Cover cpl.	1
22	61041080000	AMBIENT-AIR TEMPERATURE SENSOR	1
23	0081050181	SCREW FOR PLASTIC K50X18 T20	2
24	61041088000	ROLLOVER SENSOR 05	1
25	0025060206	HH collar screw M6x20 TX30	2
27	79641031000	ENGINE CONTROL UNIT EFI	1
28	79041031050	ECU RUBBER HOLDER	1



207914110

52205

* NEW PART

X ON DEMAND

KTM.COM



089321VEN

KTM Sportmotorcycle GmbH
5230 Mattighofen, Austria
www.ktm.com

KTM POWERPARTS

KTM POWERWEAR

KTM ORIGINAL SPARE PARTS



Art. Nr.: 089321VEN 12. Apr 2021