

# Engine 350 EXC-F 2022 2022

ART.-NR.: 089360VEN

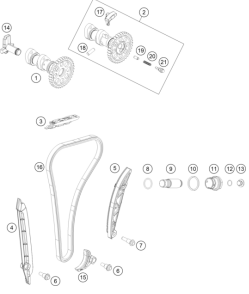
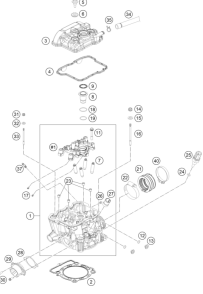
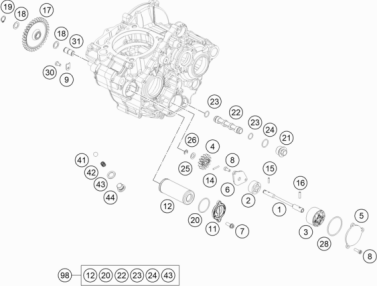
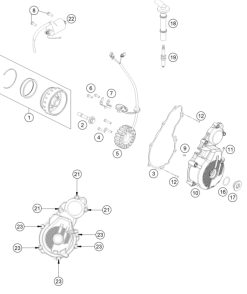
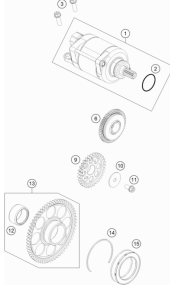
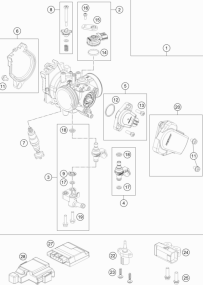


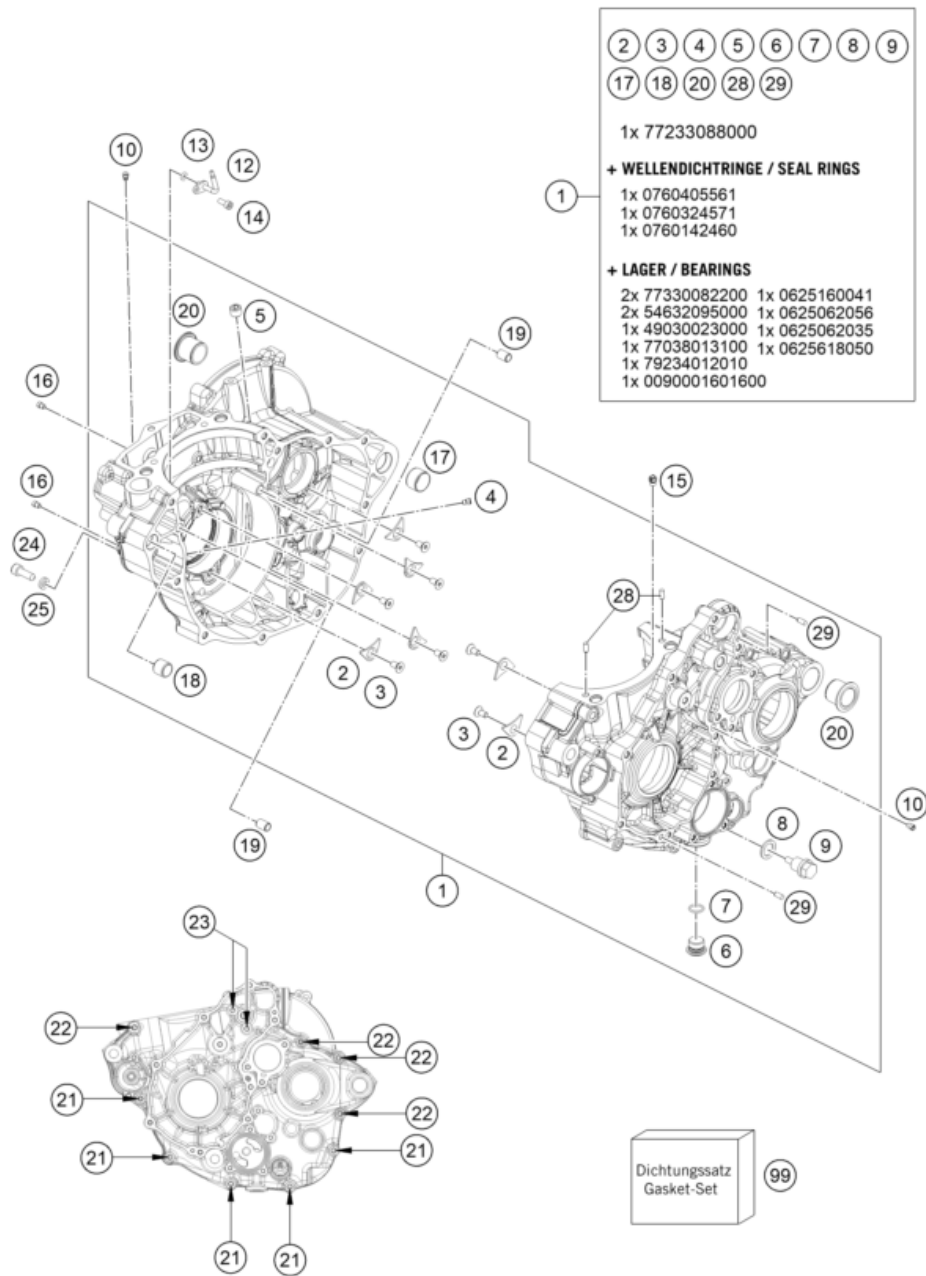


All information contained is without obligation. KTM Sportmotorcycle GmbH particularly reserves the right to modify any equipment, technical specifications, prices, colors, shapes, materials, services, service work, constructions, equipment and the like so as to adapt them to local conditions or to cancel any of the above items, all without previous announcement and without giving reasons. KTM may stop manufacturing certain models without previous notice. KTM shall not be held liable for any deviations of availability and/or ability to deliver, illustrations, descriptions, printing and/or other errors. The illustrated models partly contain extra equipment, which is not applied to standard models.

© by KTM Sportmotorcycle GmbH, Mattighofen AUSTRIA; All rights reserved; Reprint, also in extracts, with written allowance of KTM Sportmotorcycle GmbH, Mattighofen only.

|   |  |   |   |
|---|--|---|---|
| <p><b>ENGINE CASE</b></p> <p><b>3</b></p>         | <p><b>CLUTCH COVER</b></p> <p><b>4</b></p> | <p><b>BALANCER SHAFT</b></p> <p><b>5</b></p>              | <p><b>CYLINDER</b></p> <p><b>6</b></p>                        |
| <p><b>CRANKSHAFT, PISTON</b></p> <p><b>7</b></p>  | <p><b>CLUTCH</b></p> <p><b>8</b></p>       | <p><b>TRANSMISSION I - MAIN SHAFT</b></p> <p><b>9</b></p> | <p><b>TRANSMISSION II - COUNTERSHAFT</b></p> <p><b>10</b></p> |
| <p><b>SHIFTING MECHANISM</b></p> <p><b>11</b></p> | <p><b>WATER PUMP</b></p> <p><b>12</b></p>  | <p><b>COOLING SYSTEM</b></p> <p><b>13</b></p>             | <p><b>VALVE DRIVE</b></p> <p><b>14</b></p>                    |

|   |  |   |  |
|---|--|---|--|
| <p><b>TIMING DRIVE</b></p>  <p><b>15</b></p>     | <p><b>CYLINDER HEAD</b></p>  <p><b>16</b></p> | <p><b>LUBRICATING SYSTEM</b></p>  <p><b>17</b></p> | <p><b>IGNITION SYSTEM</b></p>  <p><b>18</b></p> |
| <p><b>ELECTRIC STARTER</b></p>  <p><b>19</b></p> | <p><b>THROTTLE BODY</b></p>  <p><b>20</b></p> |   |  |
|   |  |   |  |



| POS | PARTNUMBER  | PARTNAME                            | PIECE |
|-----|-------------|-------------------------------------|-------|
| 1   | 79330000144 | Engine case compl.                  | 1     |
| 2   | 75030085000 | RETAINING PLATE F. CS BEARING       | 7     |
| 3   | 0019050121S | INT. TORX FLAT HEAD M5X12 T25       | 7     |
| 4   | 79330058040 | Nozzle                              | 1     |
| 5   | 0906100100  | pipe plug DIN 906 M10x1             | 1     |
| 6   | 78036081000 | HOLDING BOLT M14X1,5                | 1     |
| 7   | 0770110015  | O-RING 1,5x11 SILICON               | 1     |
| 8   | 58038022000 | CU-SEAL RING DIN7603-12X18X1,5      | 1     |
| 9   | 58030021000 | OILDRAIN PLUG W.MAG. M 12X1,5       | 1     |
| 10  | 80030058060 | OIL JET "60" M4                     | 2     |
| 12  | 77830064070 | OIL JET CURVED " 70 "               | 1     |
| 13  | 0770035020  | O-RING 3,5X2,00 NBR                 | 1     |
| 14  | 0912040103S | Cylinder screw DIN 912-M4x10-8.8 SS | 1     |
| 15  | 60030063070 | oil jet 70 M5                       | 1     |
| 16  | 59030058000 | JET 100 BING(44-031/180) M4         | 2     |
| 17  | 59030024000 | DOWEL 17 X 19 X 12                  | 1     |
| 18  | 54630027000 | DOWEL BUSHING 13,8X11X12            | 1     |
| 19  | 59030023100 | Dowel. 6x8x11.5                     | 2     |
| 20  | 79230010000 | CASE BUSH                           | 2     |
| 21  | 0025060556  | HH collar screw M6x55 TX30          | 5     |
| 22  | 0025060656  | HH COLLAR SCREW M6X65 TX30          | 4     |
| 23  | 0025060706  | HH COLLAR SCREW M6X70 TX30          | 2     |
| 24  | 58030080000 | LOCATING SCREW M8 L=23              | 1     |
| 25  | 58030081000 | CU-SEAL RING 8 X 14 X 3             | 1     |
| 28  | 0402050080  | CYLINDER ROLLER ZRO 5X8             | 2     |
| 29  | 0402040980  | NEEDLE ROL.DIN5402 NRB 4X9,8        | 5     |
| 99  | 79330099000 | Engine seal kit                     | 1     |

227933010

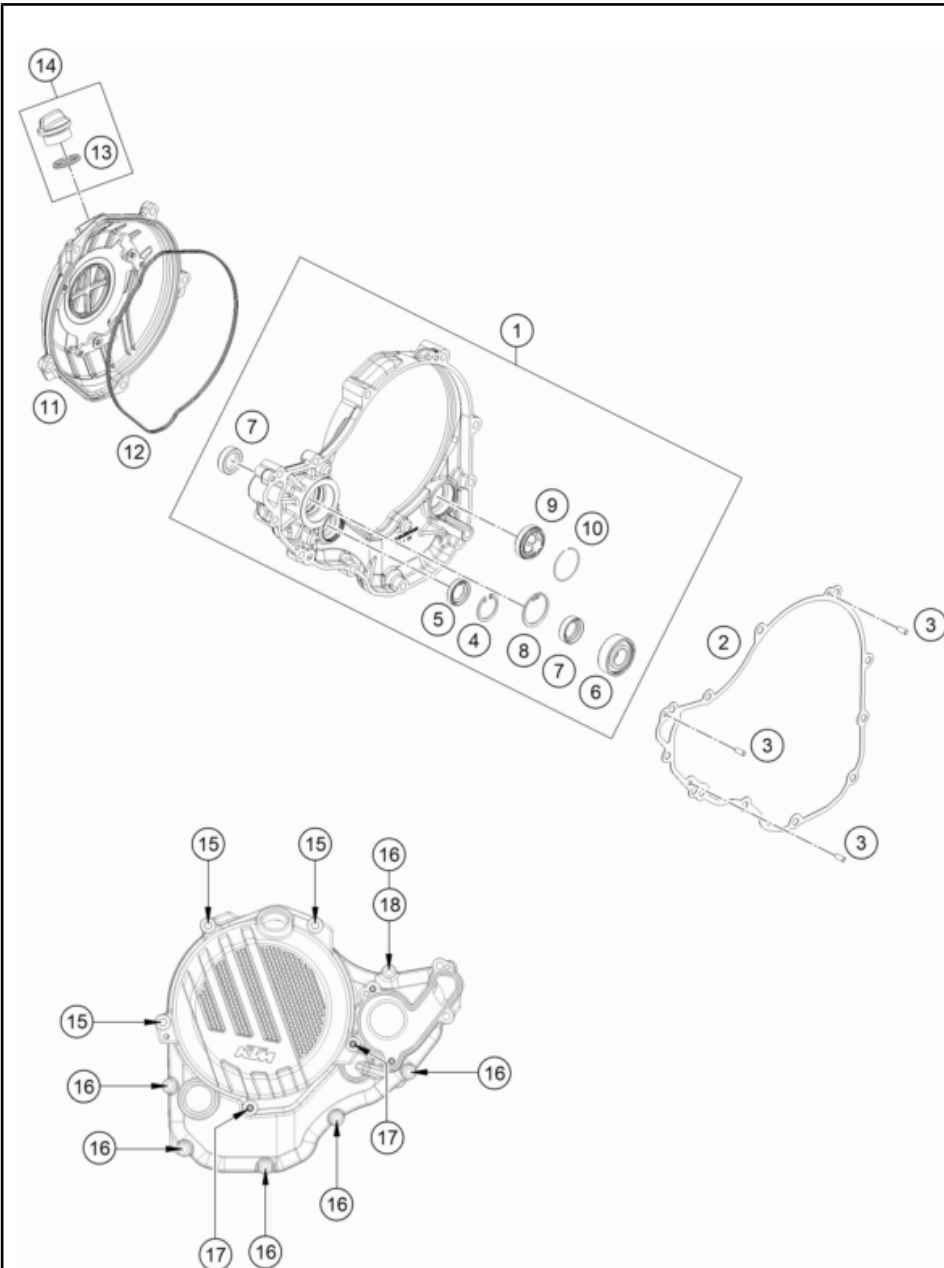
56953

\* NEW PART

X ON DEMAND

# CLUTCH COVER

Engine 350 EXC-F 2022 2022



| POS | PARTNUMBER    | PARTNAME                       | PIECE |
|-----|---------------|--------------------------------|-------|
| 1   | 79230001044   | CLUTCH COVER CPL.              | 1     |
| 2   | 79230025100   | Clutch cover gasket            | 1     |
| 3   | 0402040980    | NEEDLE ROL.DIN5402 NRB 4X9,8   | 3     |
| 4   | 0472024120    | CIRCLIP DIN0472-24X1.2         | 1     |
| 5   | 0760142450    | SHAFT SEAL RING 14X24X5 VITON  | 1     |
| 6   | 0625062022    | BALL BEARING 6202 C0 2         | 1     |
| 7   | 07601530451   | SHAFT SEAL RING 15X30X4.5 BAUD | 2     |
| 8   | 0472300120    | CIRCLIP 30X1,2                 | 1     |
| 9   | 59030019200   | OIL SIGHT GLASS                | 1     |
| 10  | 61030019050   | CIRCLIP OIL LEVEL GLASS 03     | 1     |
| 11  | 7923012604415 | OUTER CLUTCH COVER             | 1     |
| 12  | 79230027000   | CLUTCH COVER GASKET OUTSIDE    | 1     |
| 13  | 0770191015    | O-RING 19,00X3,00 NBR          | 1     |
| 14  | 79430020033   | OIL FILLER CAP M24x3 WITH O-R  | 1     |
| 15  | 0025060456    | HH COLLAR SCREW M6X45 TX30     | 3     |
| 16  | 0025060256    | HH collar screw M6x25 TX30     | 6     |
| 17  | 0025060206    | HH collar screw M6x20 TX30     | 2     |
| 18  | 0603061001    | CU-SEAL RING DIN7603-6X10X1    | 1     |

207913020

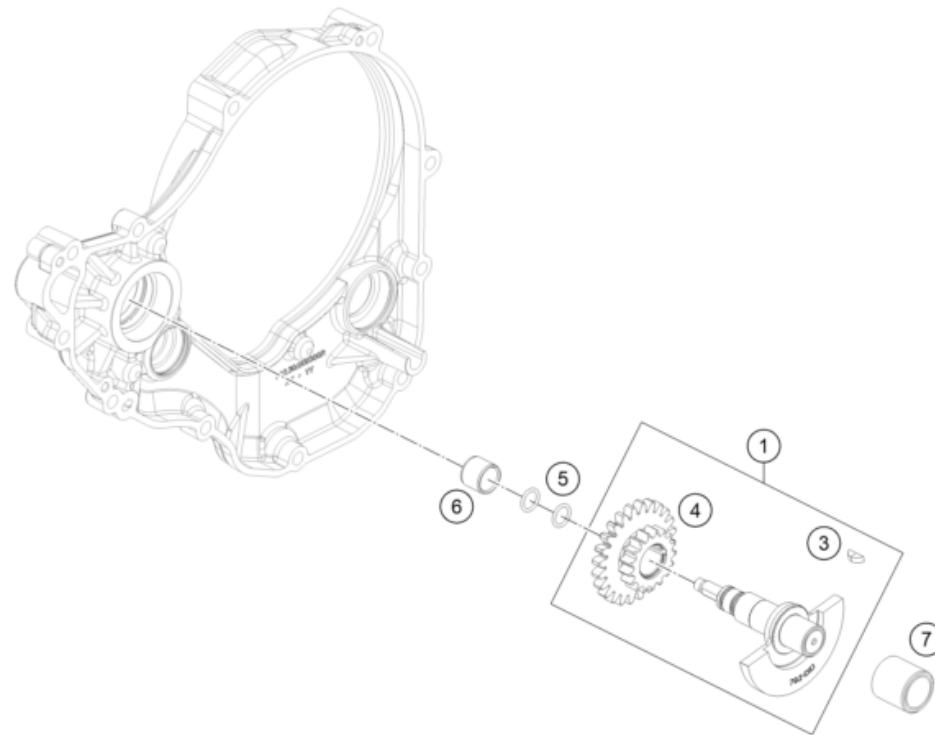
52202

\* NEW PART

X ON DEMAND

# BALANCER SHAFT

Engine 350 EXC-F 2022 2022



| POS | PARTNUMBER    | PARTNAME                              | PIECE |
|-----|---------------|---------------------------------------|-------|
| 1   | 79236072133   | balancing shaft pre assembled         | 1     |
| 3   | 0888030037    | WOODRUFF KEY DIN6888-3X3,7            | 1     |
| 4   | 79236076100   | timing assembly twin gear             | 1     |
| 5   | 07700900151   | O-RING 9x1,5 V80 SH                   | 2     |
| 6   | 77236072120   | Wear bushing 12/15/12,5               | 1     |
| 7   | 0090001601600 | Slide bearing bushing, balancer shaft | 1     |

227933030

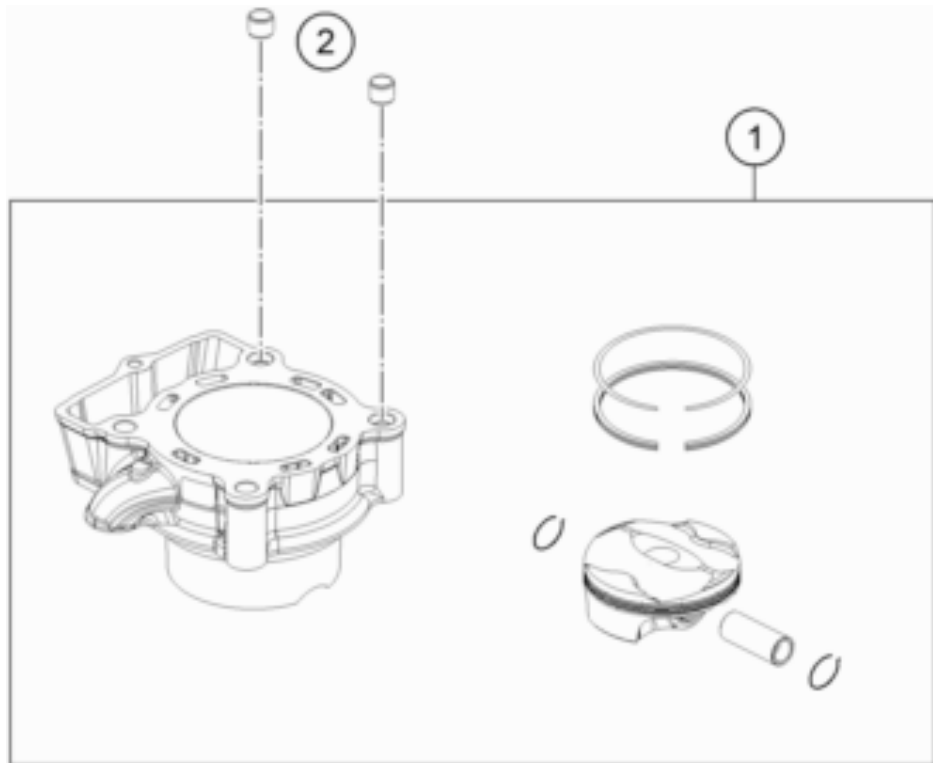
56963

\* NEW PART

X ON DEMAND

# CYLINDER

Engine 350 EXC-F 2022 2022



| POS | PARTNUMBER  | PARTNAME                 | PIECE |
|-----|-------------|--------------------------|-------|
| 1   | 79330038000 | Cylinder + Piston        | 1     |
| 2   | 58530014100 | dowl sleeve 10.2x12.5x10 | 2     |
| 3   | 79230035000 | CYLINDER BASE GASKET     | 1     |

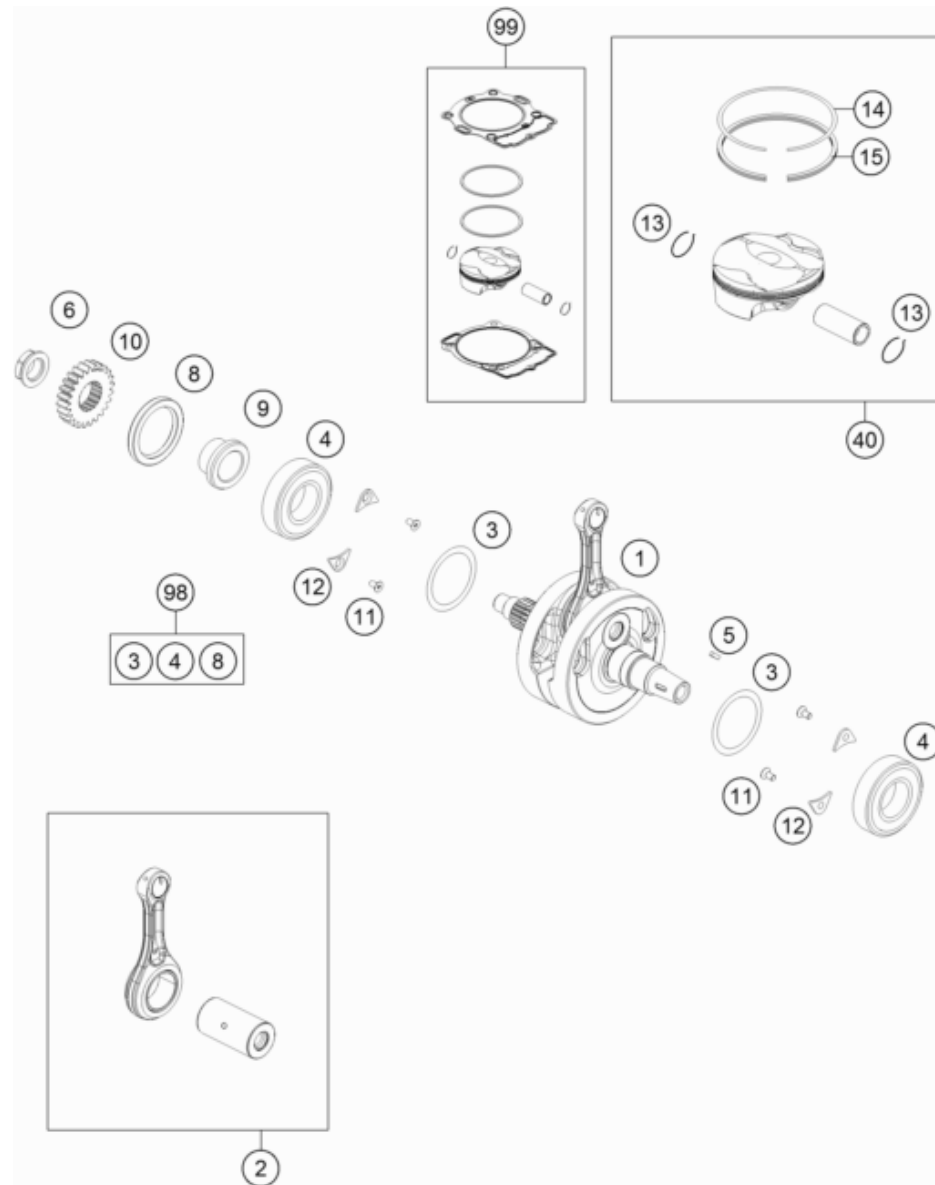
137773040

52241

\* NEW PART

X ON DEMAND





| POS | PARTNUMBER     | PARTNAME                       | PIECE |
|-----|----------------|--------------------------------|-------|
| 1   | 79330118100    | Crankshaft compl.              | 1     |
| 2   | 79330115044    | Connecting rod repair kit      | 1     |
| 3   | 0988324510     | THRUST WASHER 988ST 32X0,1     | x     |
| 3   | 0988324515     | THRUST WASHER 988ST 32X0,15    | x     |
| 3   | 0988324530     | THRUST WASHER 988ST 32X0,30    | x     |
| 4   | 77330082200    | BEARING NJ 206 ECP/HN3C4HVA624 | 2     |
| 5   | 0888030037     | WOODRUFF KEY DIN6888-3X3,7     | 1     |
| 6   | 77230029000    | NUT PRIMARY WHEEL              | 1     |
| 8   | 0760405561     | SHAFT SEAL RING A 40X55X6 V.   | 1     |
| 9   | 77232022000    | SPACER BUSHING PRIMARY GEAR    | 1     |
| 10  | 79232023124    | gear primary drive             | 1     |
| 11  | 0019050121S    | INT. TORX FLAT HEAD M5X12 T25  | 4     |
| 12  | 75030085000    | RETAINING PLATE F. CS BEARING  | 4     |
| 13  | 79230274000    | CIRCLIP PISTON PIN             | 2     |
| 14  | 77230030000    | COMPRESSIONRING 350            | 1     |
| 15  | 79230232100    | Oil scraper ring               | 1     |
| 40  | 79230207200 I  | PISTON I CPL. 350              | x     |
| 40  | 79230207200 II | PISTON II CPL. 350             | x     |
| 98  | 00050002316    | CRANKSHAFT REP. KIT            | x     |
| 99  | 79230207210 I  | Piston kit I 350               | x     |
| 99  | 79230207210 II | Piston Kit II 350              | x     |

177963061

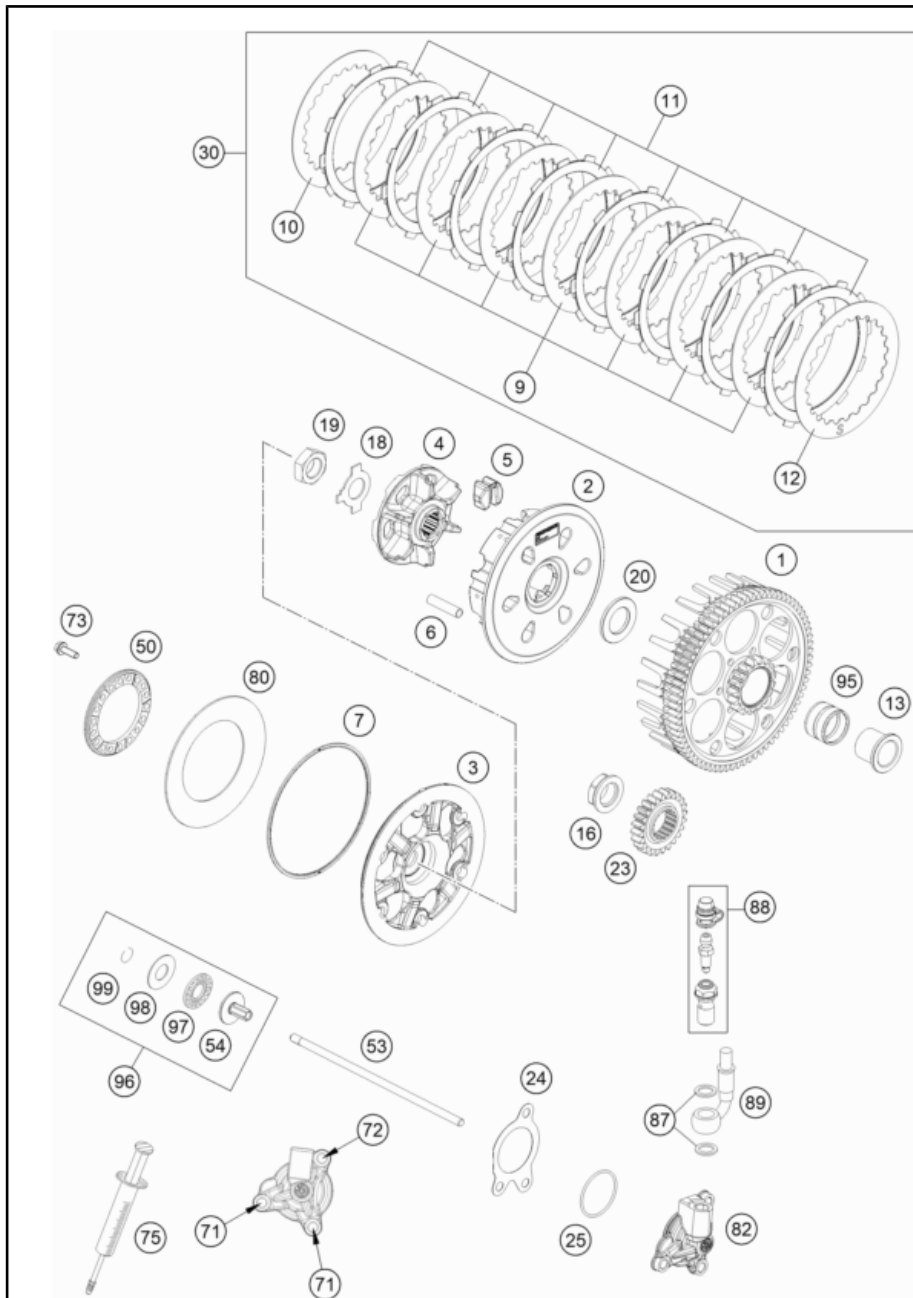
56954

\* NEW PART

X ON DEMAND

# CLUTCH

Engine 350 EXC-F 2022 2022



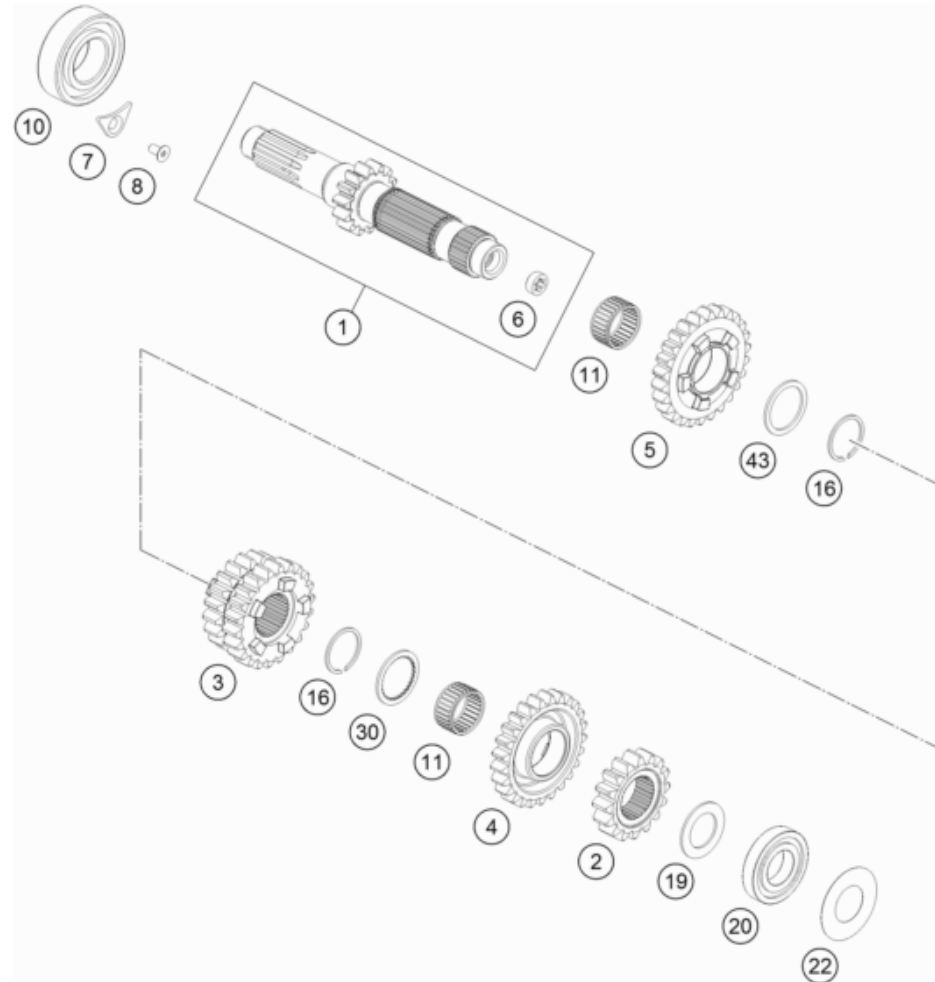
187963210

| POS | PARTNUMBER     | PARTNAME                       | PIECE |
|-----|----------------|--------------------------------|-------|
| 1   | 79232201073    | CLUTCH BASKET EXC              | 1     |
| 2   | 78132002400    | Inner clutch hub               | 1     |
| 3   | 79432003100    | Clutch pressure plate          | 1     |
| 4   | 78132002211    | Clutch center                  | 1     |
| 5   | 78132025100    | DAMPING RUBBER                 | 6     |
| 6   | 77232004000    | DRIVING SLEEVE D=7,95 L=38     | 6     |
| 7   | 78132013000    | WASHER 112X118X1.5             | 1     |
| 9   | 59032010200    | INTERMEDIATE DISC 1,4MM 2002   | 7     |
| 10  | 59032010100    | INTERMEDIATE DISC 1MM 2002     | 1     |
| 11  | 79532011000    | Lining disc 1,95mm             | 8     |
| 12  | 78932010000    | INTERMEDIATE DISC 1MM          | 1     |
| 13  | 77232015000    | INNER RING                     | 1     |
| 16  | 0910001801000S | Nut M18x1.5 Precote            | 1     |
| 18  | 78132018000    | TAB WASHER                     | 1     |
| 19  | 0009361800800S | Hex nut DIN0936-M18x1.5 right  | 1     |
| 20  | 77232009000    | WASHER 21,8 X 37 X 5,1         | 1     |
| 23  | 79232023124    | gear primary drive             | 1     |
| 24  | 79232065000    | GASKET FOR OUTPUT CYLINDER     | 1     |
| 25  | 0770300015     | O-RING 30,00X1,50 NBR 70       | 1     |
| 30  | 79532010033    | CLUTCH DISC PACKAGE            | 1     |
| 50  | 78132006200    | Spring retainer                | 1     |
| 53  | 79232054000    | PUSH ROD                       | 1     |
| 54  | 78032057000    | PRESSURE PIECE                 | 1     |
| 71  | 0025060166     | HH collar screw M6x16 TX30     | 2     |
| 72  | 0025060356     | HH collar screw M6x35 TX30     | 1     |
| 73  | 0025050166     | HH collar screw M5x16 TX30     | 6     |
| 75  | 50329050000    | VENT INJEKTION HYDR. CLUTCH    | 1     |
| 80  | 78132005000    | BELLEVILLE SPRING 71X115X1,5 I | 1     |
| 82  | 79232061044    | OUTPUT CYLINDER CPL.           | 1     |
| 87  | 0603082121     | SEAL RING CU DIN7603- 8X12X1   | 2     |
| 88  | 79032064000    | BLEEDER SCREW CPL.             | 1     |
| 89  | 79232063000    | CLUTCH PIPE                    | 1     |
| 95  | 56532095000    | NEEDLE BEARING K26X30X22ZW.KSE | 1     |
| 96  | 78032057044    | PRESSURE PIECE CPL. 08         | 1     |
| 97  | 54637097200    | AXIAL NEEDLE BEARING AXK 1226  | 1     |
| 98  | 54637098200    | AXIAL WASHER AS1226 12X26X1    | 1     |
| 99  | 0993012000     | CIRCLIP DIN7993-RW12           | 1     |

56919

\* NEW PART

X ON DEMAND



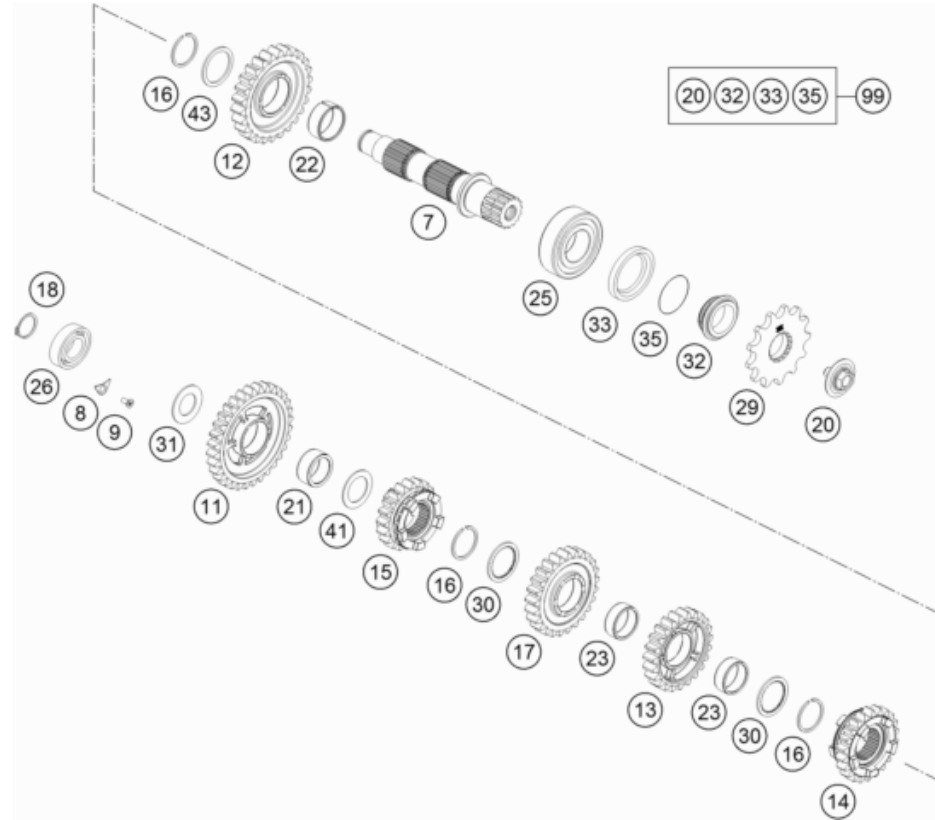
| POS | PARTNUMBER  | PARTNAME                                | PIECE |
|-----|-------------|---|-------|
| 1   | 79333101000 | Main shaft, compl.                      | 1     |
| 2   | 79333102000 | Fixed gear, 2nd gear, teeth=16          | 1     |
| 3   | 79333103000 | Sliding gear, 3rd/4th gear, teeth=20/22 | 1     |
| 4   | 79333105000 | Idler gear, 5th gear, teeth=25          | 1     |
| 5   | 79333306000 | Idler gear, 6th gear, teeth=26          | 1     |
| 6   | 78033001110 | BUSHING                                 | 1     |
| 7   | 75030085000 | RETAINING PLATE F. CS BEARING           | 1     |
| 8   | 0019050121S | INT. TORX FLAT HEAD M5X12 T25           | 1     |
| 10  | 0625062056  | Groove ball bearing 6205 C4 NTN         | 1     |
| 11  | 0405222613  | NEEDLE BEAR. K 22X26X13 TN              | 2     |
| 16  | 0417024000  | CIRCLIP WS24                            | 2     |
| 19  | 77233015000 | DISK 20,2X32X1,3                        | 1     |
| 20  | 0625160041  | BALL BEARING TM 16004 C4                | 1     |
| 22  | 77233088000 | SPACER SHIM 21X42X0.2                   | 1     |
| 30  | 54833043000 | STOP DISC 25X0,8X30X30X7H               | 1     |
| 43  | 54833044000 | STOP DISC 25X31X1,5                     | 1     |

127753330

52255

\* NEW PART

X ON DEMAND



| POS | PARTNUMBER  | PARTNAME                         | PIECE |
|-----|-------------|----------------------------------|-------|
| 7   | 79333110000 | Output shaft                     | 1     |
| 8   | 75030085000 | RETAINING PLATE F. CS BEARING    | 1     |
| 9   | 0019050121S | INT. TORX FLAT HEAD M5X12 T25    | 1     |
| 11  | 79333311000 | Idler gear, 1st gear, teeth=32   | 1     |
| 12  | 79333312000 | idler gear 2 nd.                 | 1     |
| 13  | 79333314000 | idler gear 4 th.                 | 1     |
| 14  | 79333315000 | sliding gear 5 th.               | 1     |
| 15  | 79333316000 | sliding gear 6 th.               | 1     |
| 16  | 0417024000  | CIRCLIP WS24                     | 3     |
| 17  | 79333313000 | idler gear 3 rd.                 | 1     |
| 18  | 0471170015  | CIRCLIP DIN 0471-17X1, 5         | 1     |
| 20  | 59033034044 | SCREW 10.9+SPRING WASHER         | 1     |
| 21  | 0405202612  | NEEDLE BEARING K 20X26X12        | 1     |
| 22  | 0405242812  | NEEDLE BEAR. K24X28X11,9 DIV.    | 1     |
| 23  | 0405222611  | NEEDLE BEAR.K 22X26X10 DIVIDED   | 1     |
| 25  | 49030023000 | cylindrical roller bearing NJ205 | 1     |
| 26  | 0625062035  | BALL BEARING 6203 JR2 C3         | 1     |
| 29  | 79233029013 | SPROCKET 13T                     | x     |
| 29  | 79233129014 | ENGINE SPROCKET 14Z              | 1     |
| 30  | 54833043000 | STOP DISC 25X0,8X30X30X7H        | 2     |
| 31  | 77233020000 | STOP DISK 17,2X30X1,3            | 1     |
| 32  | 78133014000 | SPACER SLEEVE COUNTER            | 1     |
| 33  | 0760324571  | SHAFT SEAL RING 32X45X7 BSLNBR   | 1     |
| 35  | 0770020220  | O-RING 25,12X1,78 NBR70          | 1     |
| 41  | 54833080000 | STOP DISC 20,2X30X1              | 1     |
| 43  | 54833044000 | STOP DISC 25X31X1,5              | 1     |
| 99  | 00050000941 | COUNTER SHAFT REP.KIT 4 STROKE   | x     |

177963361

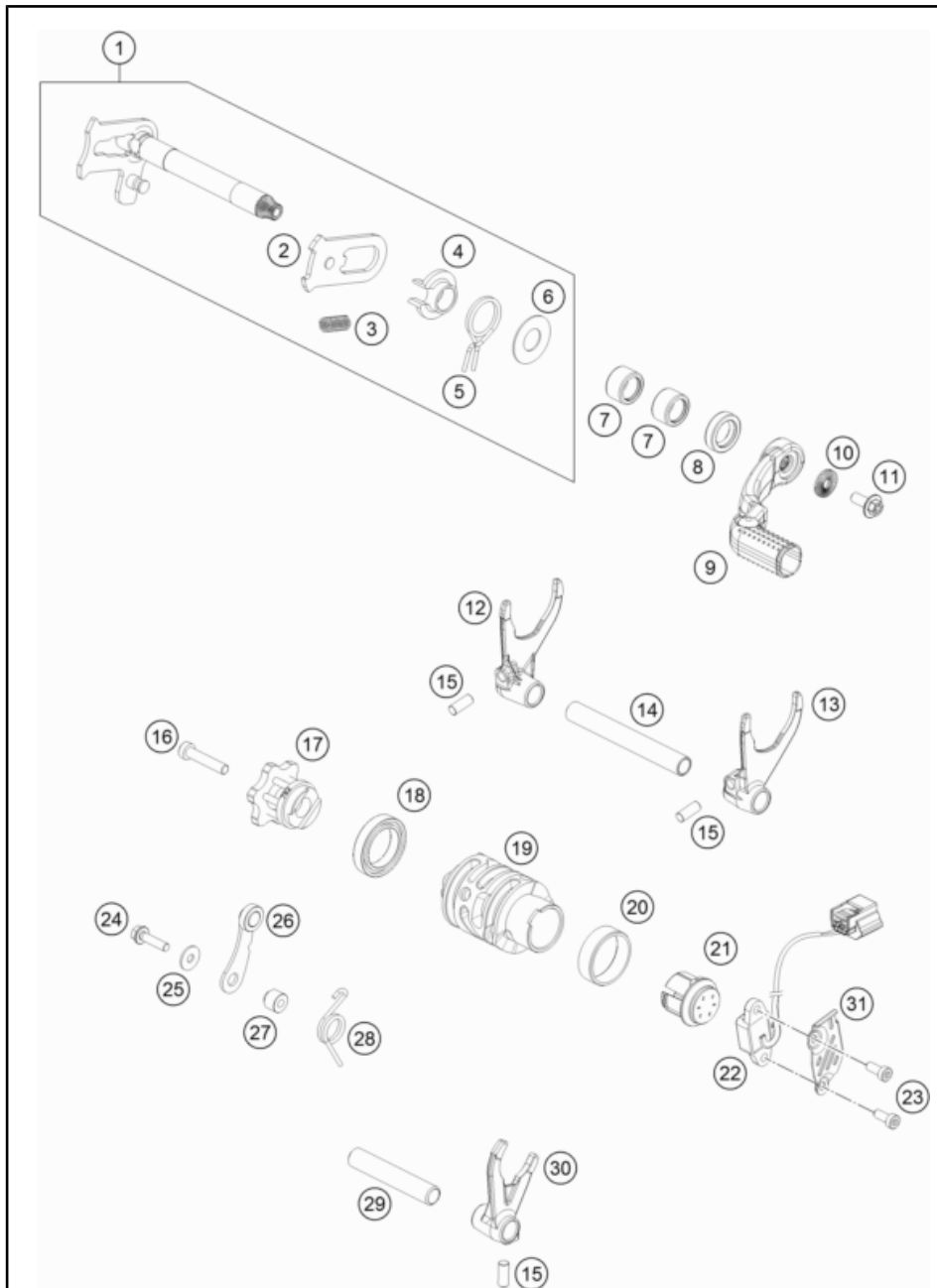
52256

\* NEW PART

X ON DEMAND

# SHIFTING MECHANISM

Engine 350 EXC-F 2022 2022



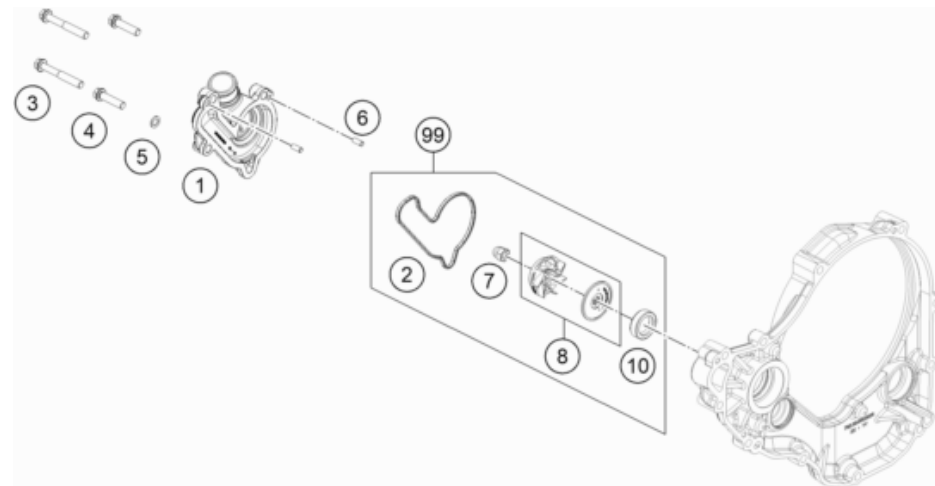
| POS | PARTNUMBER  | PARTNAME                       | PIECE |
|-----|-------------|--------------------------------|-------|
| 1   | 79234005133 | SHIFT SHAFT CPL.               | 1     |
| 2   | 79234008144 | SLIDING PLATE CPL.             | 1     |
| 3   | 56534013100 | TENSIONING SPRING 0,8MM        | 1     |
| 4   | 54634020000 | SPRING GUIDE                   | 1     |
| 5   | 54834014000 | RETURN SPRING 03               | 1     |
| 6   | 54634050000 | STOP DISK 14X30X1              | 1     |
| 7   | 54632095000 | needle sleeve HK 1412 14x20x12 | 2     |
| 8   | 0760142460  | radial shaft seal 14x24x6 B    | 1     |
| 9   | 79234031100 | SHIFT LEVER CPL.               | 1     |
| 10  | 50233041500 | PAIR NORDLOCK WASHER M6        | 1     |
| 11  | 0024060156S | HH collar screw M6x15 TX30     | 1     |
| 12  | 79234203000 | SHIFT FORK 1ST-3RD GEAR        | 1     |
| 13  | 79234202000 | SHFIT FORK 2ND-4TH GEAR        | 1     |
| 14  | 77034019000 | SHIFTING MAIN L=93MM 05        | 1     |
| 15  | 0402061480  | NEEDLE ROLLER DIN5402 6X14,8   | 3     |
| 16  | 0012060303S | Cap head screw M6x30-8.8       | 1     |
| 17  | 79234015100 | Shift star cpl                 | 1     |
| 18  | 0625618050  | BALL BEARING 61805 C3          | 1     |
| 19  | 79234112000 | SHIFT ROLLER                   | 1     |
| 20  | 79234012010 | FRICTION BEARING CONTROLLER    | 1     |
| 21  | 79234012020 | magnet holder cpl.             | 1     |
| 22  | 79211023000 | gear position sensor           | 1     |
| 23  | 0984050143S | CYL. SCREW DIN6912 M5X14 8.8   | 2     |
| 24  | 0025050256S | HH collar screw M5x25 TX30     | 1     |
| 25  | 0021050003  | washer DIN 9021 A - 5.3        | 1     |
| 26  | 79234024044 | LOCKING LEVER CPL.             | 1     |
| 27  | 54634052300 | SLEEVE FOR LOCKING LEVER       | 1     |
| 28  | 54834023000 | LOCKING LEVER SPRING 03        | 1     |
| 29  | 54834019000 | SHIFT. RAIL MAIN SHAFT 250/300 | 1     |
| 30  | 79234201000 | SHIFT FORK 5TH-6TH GEAR        | 1     |
| 31  | 79211024000 | GUARD PLATE MOTION SENSOR      | 1     |

167743411

54395

\* NEW PART

X ON DEMAND



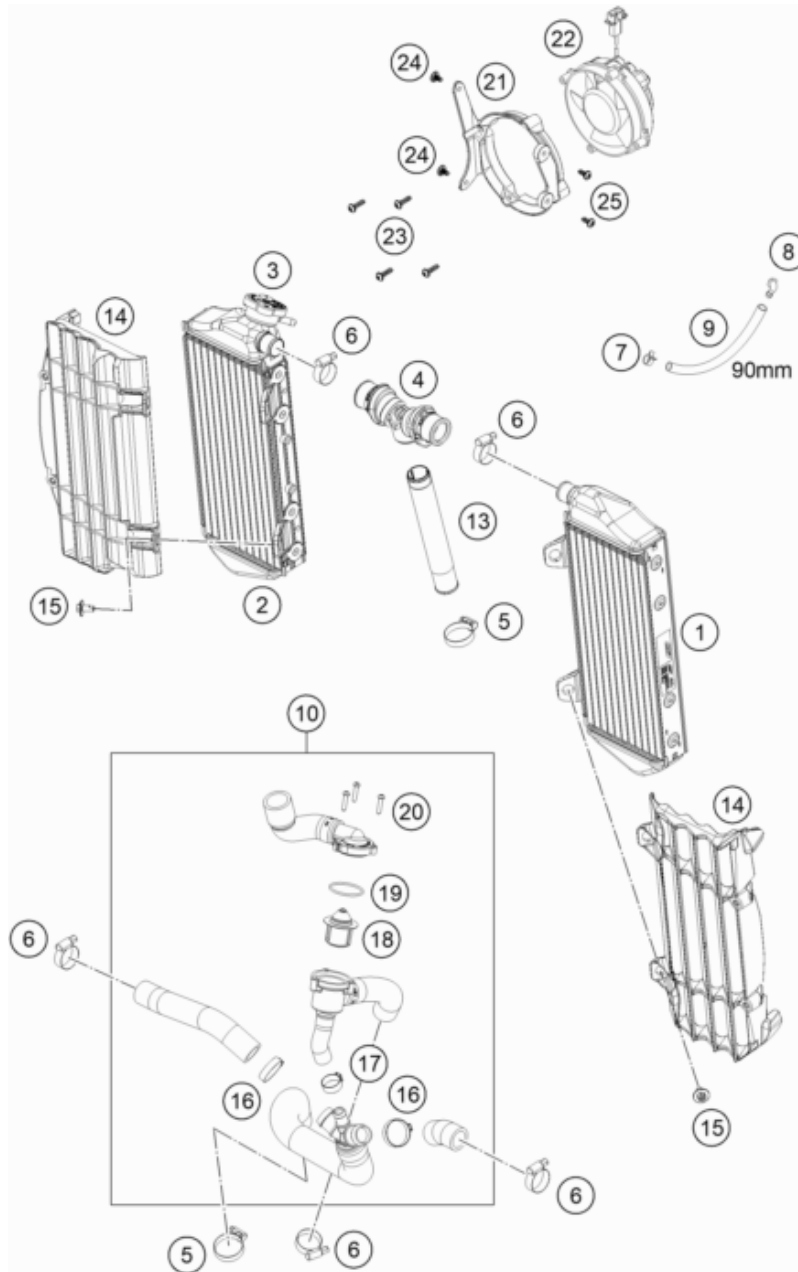
| POS | PARTNUMBER  | PARTNAME                       | PIECE |
|-----|-------------|--------------------------------|-------|
| 1   | 79235052000 | WATER PUMP COVER               | 1     |
| 2   | 79235053000 | GASKET F. WATER PUMP COVER     | 1     |
| 3   | 0025060456  | HH COLLAR SCREW M6X45 TX30     | 2     |
| 4   | 0025060256  | HH collar screw M6x25 TX30     | 2     |
| 5   | 0603061001  | CU-SEAL RING DIN7603-6X10X1    | 1     |
| 6   | 0402040980  | NEEDLE ROL.DIN5402 NRB 4X9,8   | 2     |
| 7   | 61230045000 | CAP NUT M6 STAINLESS STEEL     | 1     |
| 8   | 79235055044 | WATER PUMP WHEEL CPL.          | 1     |
| 10  | 07601530451 | SHAFT SEAL RING 15X30X4.5 BAUD | 1     |
| 99  | 79235055015 | WATER PUMP REP. KIT            | 1     |

207913510

52688

\* NEW PART

X ON DEMAND



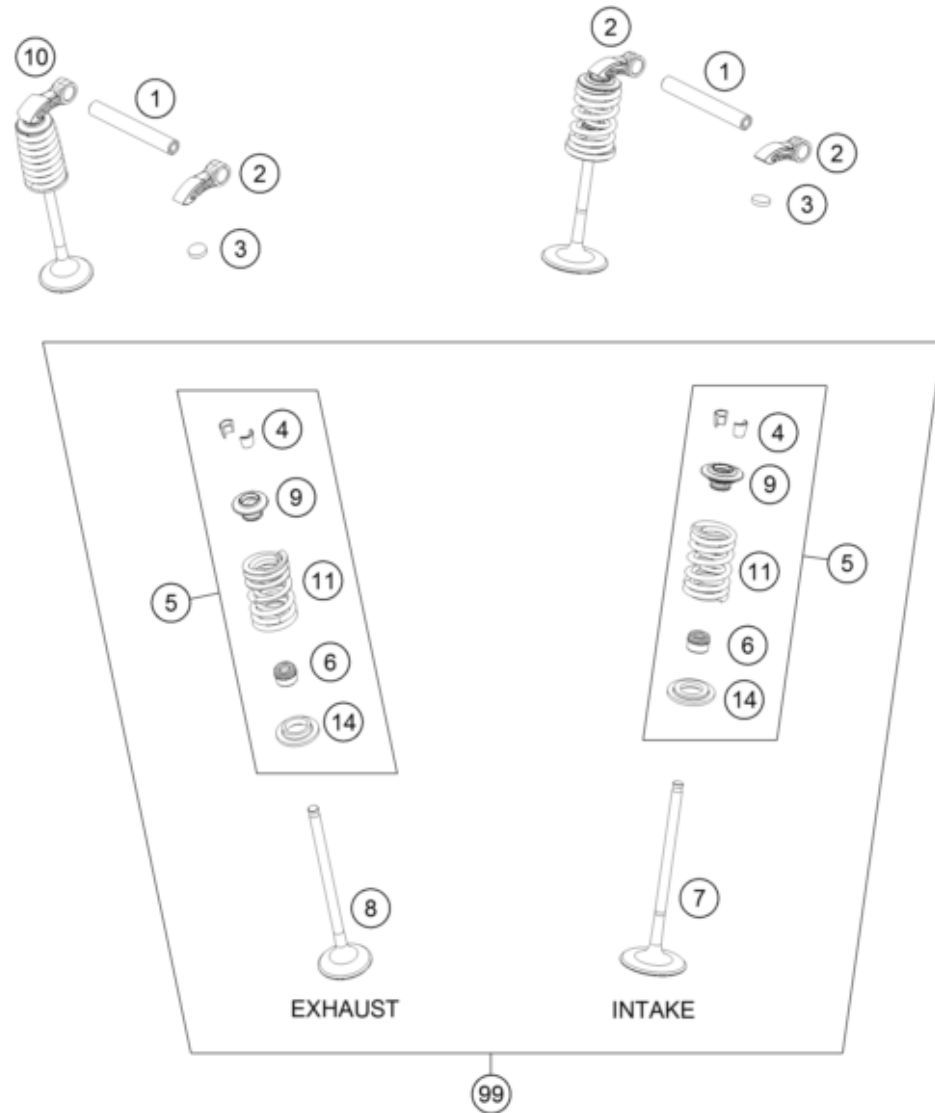
| POS | PARTNUMBER    | PARTNAME                                     | PIECE |
|-----|---------------|--|-------|
| 1   | 50535007100   | Radiator, left 19                            | 1     |
| 2   | 79535008100   | Radiator right                               | 1     |
| 3   | 79035016000   | RADIATOR CAP 1,8 BAR                         | 1     |
| 4   | 79135071044   | Y-hose cpl.                                  | 1     |
| 5   | 0310000903200 | Hose clip 20-32                              | 2     |
| 6   | 42013037400   | HOSE CLAMP NORMA 14/24                       | 5     |
| 7   | 59007017000   | CLAMP YDNAC 10096F (9,6MM)                   | 1     |
| 8   | 50303089000   | ANGLE PIECE '97                              | 1     |
| 9   | 50335030001   | PVC-HOSE 6X9                                 | x     |
| 10  | 79335026033   | preformed hose w. therm                      | 1     |
| 13  | 79135073000   | threaded bushing                             | 1     |
| 14  | 7913503400030 | radiator protector le/ri black               | 2     |
| 14  | 79635936044   | Radiator protection<br>only for Wess edition | 1     |
| 15  | 0024060123    | COLLAR SCREW M6X12 TX                        | 4     |
| 16  | 00050271708   | VARIABLE ONE-EAR CLAMP 27,1MM                | 2     |
| 17  | 00050185154   | VARIABLE ONE-EAR CLAMP 18,5MM                | 1     |
| 18  | 59435017000   | THERMOSTAT 70 DEGREE 04                      | 1     |
| 19  | 0770320020    | O-RING 32,00X2,00                            | 1     |
| 20  | 0016040183    | SCREW FOR PLASTIC D=4X18                     | 3     |
| 21  | 79635943000   | FAN BRACKET                                  | 1     |
| 22  | 58435041000   | FAN CPL. 12V LC4 2000                        | 1     |
| 23  | 0081050181    | SCREW FOR PLASTIC K50X18 T20                 | 4     |
| 24  | 0080150100    | EJOT SHEETTRACS SCREW 50X10                  | 2     |
| 25  | 0081050121    | EJOT PT screw K50x12                         | 2     |

207933530

57127

\* NEW PART

X ON DEMAND



| POS | PARTNUMBER  | PARTNAME                  | PIECE |
|-----|-------------|---------------------------|-------|
| 1   | 77236056100 | Cam follower shaft        | 2     |
| 2   | 77236060100 | VALVE LEVER               | 3     |
| 3   | 77036035172 | SHIM D=8,9/1,72           | x     |
| 3   | 77036035176 | SHIM D=8,9/1,76           | x     |
| 3   | 77036035180 | SHIM D=8,9/1,80           | x     |
| 3   | 77036035184 | SHIM D=8,9/1,84           | x     |
| 3   | 77036035188 | SHIM D=8,9/1,88           | x     |
| 3   | 77036035192 | SHIM D=8,9/1,92           | x     |
| 3   | 77036035196 | SHIM D=8,9/1,96           | x     |
| 3   | 77036035200 | SHIM D=8,9/2,00           | x     |
| 3   | 77036035204 | SHIM D=8,9/2,04           | x     |
| 3   | 77036035208 | SHIM D=8,9/2,08           | x     |
| 3   | 77036035212 | SHIM D=8,9/2,12           | x     |
| 3   | 77036035216 | SHIM D=8,9/2,16           | x     |
| 3   | 77036035220 | SHIM D=8,9/2,20           | x     |
| 3   | 77036035224 | SHIM D=8,9/2,24           | x     |
| 3   | 77036035228 | SHIM D=8,9/2,28           | x     |
| 3   | 77036035232 | SHIM D=8,9/2,32           | x     |
| 3   | 77036035236 | SHIM D=8,9/2,36           | x     |
| 3   | 77036035240 | SHIM D=8,9/2,40           | x     |
| 3   | 77036035244 | SHIM D=8,9/2,44           | x     |
| 3   | 77036035248 | SHIM D=8,9/2,48           | x     |
| 3   | 77036035252 | SHIM D=8,9/2,52           | x     |
| 3   | 77036035256 | SHIM D=8,9/2,56           | x     |
| 3   | 77036035260 | SHIM D=8,9/2,60           | x     |
| 4   | 77236033000 | VALVE COLLET              | 8     |
| 5   | 79236028144 | VALVE SPRING KIT          | 2     |
| 6   | 77236027000 | VALVE-STEM SEALING        | 4     |
| 7   | 77536030000 | INTAKE VALVE              | 2     |
| 8   | 77536031000 | EXHAUST VALVE             | 2     |
| 9   | 79236132000 | VALVE SPRING PLATE        | 4     |
| 10  | 77736060000 | VALVE LEVER               | 1     |
| 11  | 77736028000 | VALVE SPRING NHK HUB 10MM | 4     |
| 14  | 77736136000 | VALVE SPRING HOLDER       | 4     |
| 99  | 79336030010 | Valve kit 350 Enduro      | 1     |

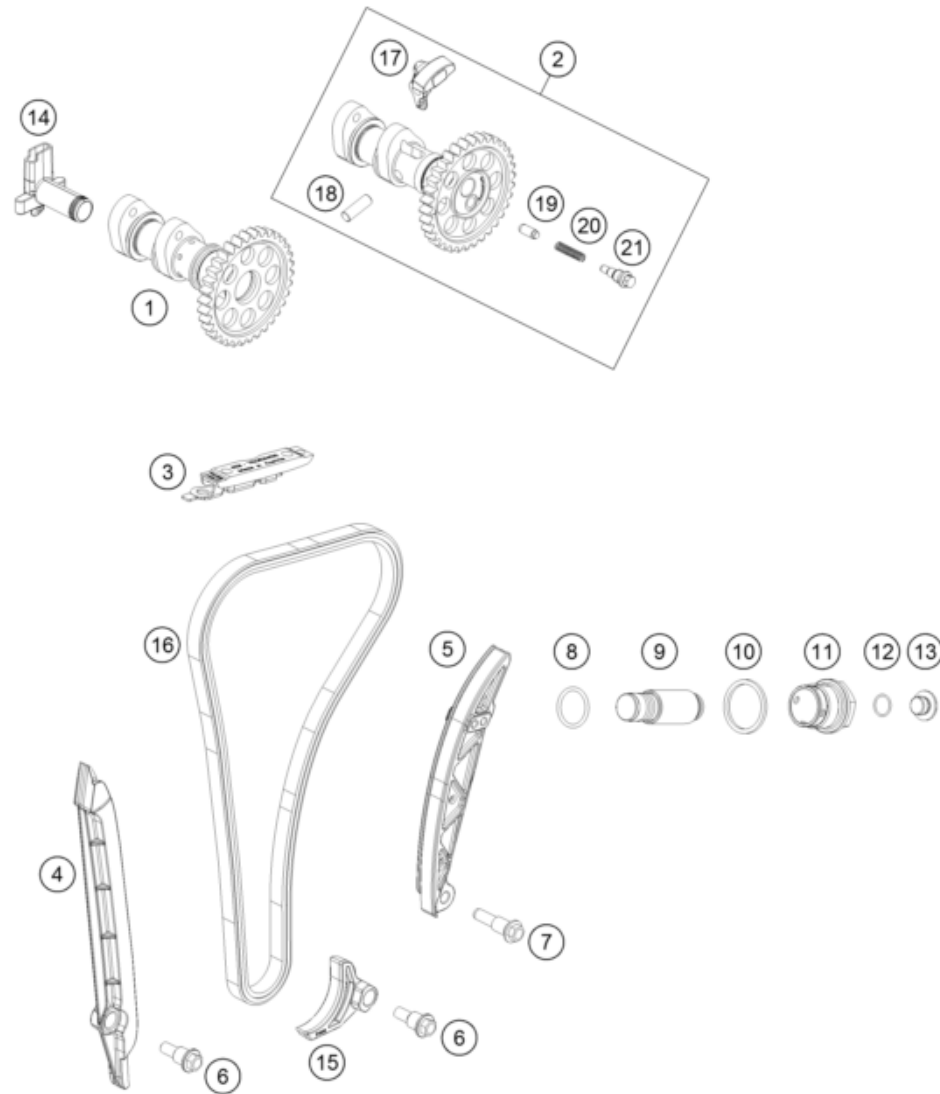
167923610

54399

\* NEW PART

X ON DEMAND





| POS | PARTNUMBER  | PARTNAME                          | PIECE |
|-----|-------------|-----------------------------------|-------|
| 1   | 79336109000 | Camshaft inlet valve              | 1     |
| 2   | 79336110044 | Camshaft exhaust valve with decal | 1     |
| 3   | 79236004000 | TIMING CHAIN GUIDE TOP            | 1     |
| 4   | 79236001000 | GUIDE RAIL                        | 1     |
| 5   | 79236002000 | TENSIONING RAIL                   | 1     |
| 6   | 77236001160 | BUSHING SCREW M6                  | 2     |
| 7   | 77236002160 | BUSHING SCREW M8                  | 1     |
| 8   | 0770180020  | o-ring 18.00x2.00 NBR70           | 1     |
| 9   | 77036003000 | CHAIN ADJUSTER HYD. 05            | 1     |
| 10  | 0603242920  | CU SEAL-RING DIN7603 A24X29X2     | 1     |
| 11  | 77336008000 | HOLDING BOLT M24X1,5              | 1     |
| 12  | 0770010010  | o-ring 10.00x1.00 NBR70           | 1     |
| 13  | 77236080100 | threaded plug                     | 1     |
| 14  | 77236081000 | ANGLE PIECE F. BREATHER SYSTEM    | 1     |
| 15  | 77236005000 | SECURING PROTECTION               | 1     |
| 16  | 79236013100 | TIMING CHAIN                      | 1     |
| 17  | 79236016000 | DECO LEVER                        | 1     |
| 18  | 0402061780  | NEEDLE ROLLER                     | 1     |
| 19  | 77336016055 | DECO SPRING PIN L=10,6 07         | 1     |
| 20  | 77336017030 | SPRING FOR AUTO DECOMPR.          | 1     |
| 21  | 77336017050 | DECO SCREW PLUG                   | 1     |

167923620

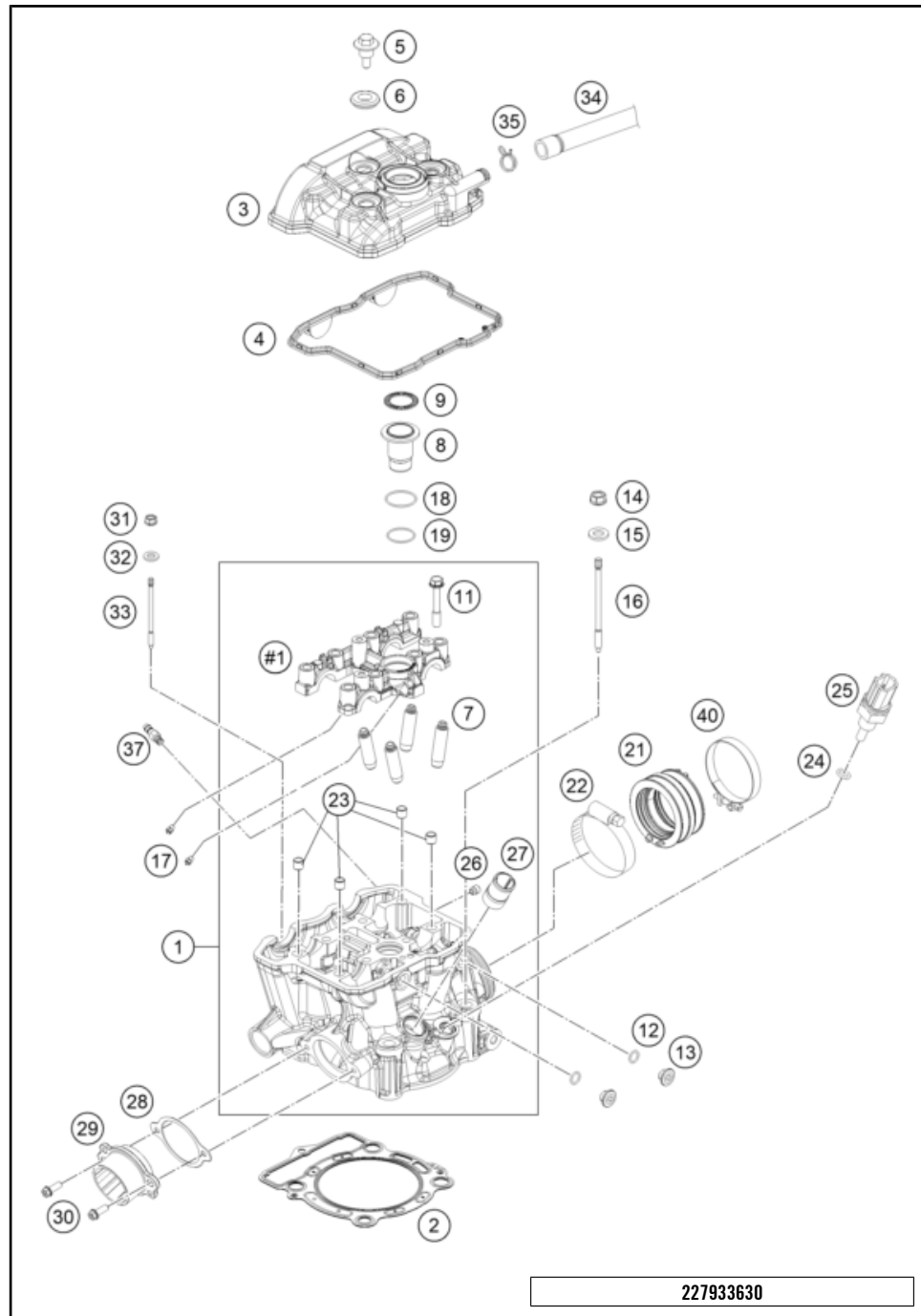
52251

\* NEW PART

X ON DEMAND

# CYLINDER HEAD

Engine 350 EXC-F 2022 2022



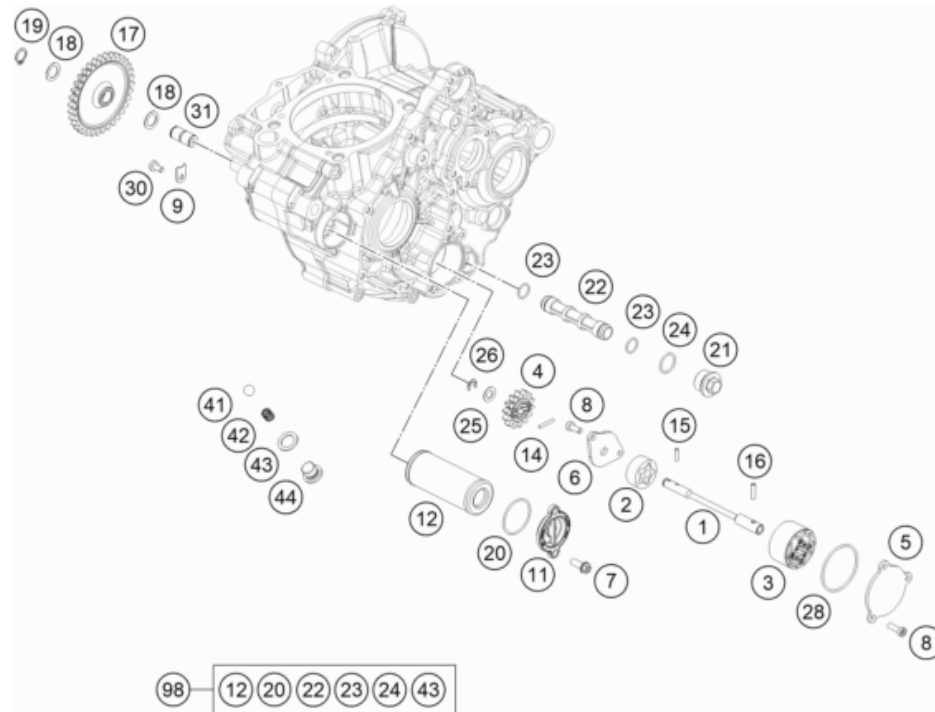
227933630

| POS | PARTNUMBER    | PARTNAME                      | PIECE |
|-----|---------------|-------------------------------|-------|
| 1   | 79336120144   | Cylinder head compl.          | 1     |
| 2   | 79330036086   | Cylinder head gasket          | 1     |
| 3   | 7933605200033 | Valve cover                   | 1     |
| 4   | 79336053000   | Valve Cover Gasket            | 1     |
| 5   | 77336054150   | VALVE COVER SCREW             | 3     |
| 6   | 77036054150   | RUBBER GASKET FOR SCREW       | 3     |
| 7   | 77236025001   | VALVE GUIDE INTAKT            | 4     |
| 8   | 79336075000   | Spark plug shaft insert       | 1     |
| 9   | 77336053050   | GASKET SPARK-PLUG SHAFT       | 1     |
| 11  | 77330067242   | Collar screw M7x1x42          | 8     |
| 12  | 07700900151   | O-RING 9x1,5 V80 SH           | 2     |
| 13  | 77236080000   | SCREW PLUG                    | 2     |
| 14  | 77336088210   | COLLAR NUT M10X1,25 SW13      | 4     |
| 15  | 77336089010   | washer 19x10.5x2.5            | 4     |
| 16  | 79230044000   | STUD BOLT M10X1,25            | 4     |
| 17  | 60030063050   | oil jet 50 M5                 | 4     |
| 18  | 07702600151   | O-Ring 26x1.5 Viton           | 1     |
| 19  | 07702300151   | O-ring 23x1.5 Viton           | 1     |
| 21  | 79236044100   | RUBBER CUP                    | 1     |
| 22  | 61036047000   | HOSE CLAMP GEMI 63MM 05       | 1     |
| 23  | 77036090000   | DOWEL(BUSH BRIDGE)7/9/8 05    | 4     |
| 24  | 0770100020    | o-ring 10.00x2.00 silicone    | 1     |
| 25  | 79435047000   | water temperature sensor      | 1     |
| 26  | 59030296000   | SCREW PLUG                    | 1     |
| 27  | 58030010200   | SCREW IN NOZZLE M20X1,5       | 1     |
| 28  | 77236041000   | GASKET EXHAUST FLANGE         | 1     |
| 29  | 77236139000   | ENGINEFLANGE                  | 1     |
| 30  | 0025060166S   | HH collar screw M6x16 TX30 SL | 2     |
| 31  | 77336088106   | COLLAR NUT M6X1 SW8           | 1     |
| 32  | 0125060003    | WASHER DIN0125-A 6,4          | 1     |
| 33  | 79230043000   | STUD BOLT M6                  | 1     |
| 34  | 77538087000   | ENGINE BREATHER TUBE          | 1     |
| 35  | 58431082100   | YDNAC-CLAMP 10173 (16MM) '98  | 1     |
| 37  | 60036023100   | VACUUM CONECTION M6/0,5MM     | 1     |
| 40  | 77236048000   | HOSE CLAMP GEMI 58MM          | 1     |

56955

\* NEW PART

X ON DEMAND



| POS | PARTNUMBER  | PARTNAME                           | PIECE |
|-----|-------------|------------------------------------|-------|
| 1   | 79238002100 | Oil pump shaft                     | 1     |
| 2   | 59038011112 | OILPUMP ROTOR-SET 12MM CPL.        | 1     |
| 3   | 61238111000 | ROTOR-SET CPL. 22MM                | 1     |
| 4   | 77038001100 | OIL PUMP GEAR 14T 08               | 1     |
| 5   | 79238004000 | OIL PUMP COVER LEFT                | 1     |
| 6   | 79238003000 | OIL PUMP COVER RIGHT               | 1     |
| 7   | 0025060166  | HH collar screw M6x16 TX30         | 2     |
| 8   | 0984050143S | CYL. SCREW DIN6912 M5X14 8.8       | 5     |
| 9   | 77238061050 | AXIAL-CIRCLIP                      | 1     |
| 11  | 77338041200 | OIL FILTER COVER 08                | 1     |
| 12  | 77338005100 | OIL FILTER                         | 1     |
| 14  | 0402251980  | NEEDLEROL.DIN5402 NRA 2,5X19,8     | 1     |
| 15  | 0402251180  | NEEDLE ROLLER DIN5402 2,5X11,8     | 1     |
| 16  | 0402041580  | needle roller NRB 4x15.8 G2        | 1     |
| 17  | 79238006100 | Oil pump idler-gear                | 1     |
| 18  | 0988121805  | SHIM WASHER DIN0988-12X18X0,50     | 2     |
| 19  | 0471120010  | retaining ring DIN 471 12x1        | 1     |
| 20  | 07703305178 | O-RING 33,05X1,78                  | 1     |
| 21  | 59038017100 | PLUG M20X1,5 WS=13                 | 1     |
| 22  | 59038016100 | OIL SCREEN                         | 1     |
| 23  | 07701250151 | O-RING 12,5X1,5 VITON V75          | 2     |
| 24  | 0770020170  | O-RING 17,17X1,78 GLO              | 1     |
| 25  | 58038007755 | STOP DISK 8,1 X 15 X 0,5           | 1     |
| 26  | 0799060000  | TAB WASHER DIN6799-RS 6,0          | 1     |
| 28  | 0770440020  | O-RING 44,00X2,00 VITON            | 1     |
| 30  | 0018050103S | Oval head screw DIN 7985-M5x10-8.8 | 1     |
| 31  | 77038013100 | BUSHING PIN                        | 1     |
| 41  | 0401090003  | BALL DIN5401-9                     | 1     |
| 42  | 58038023300 | PRESSURE SPRING L=25MM D=1MM       | 1     |
| 43  | 58038022000 | CU-SEAL RING DIN7603-12X18X1,5     | 1     |
| 44  | 78036024000 | PLUG SCREW SAS M12X1,5             | 1     |
| 98  | 00050000083 | OILFILTER-GASKET SET 350 SX-F      | x     |

207913810

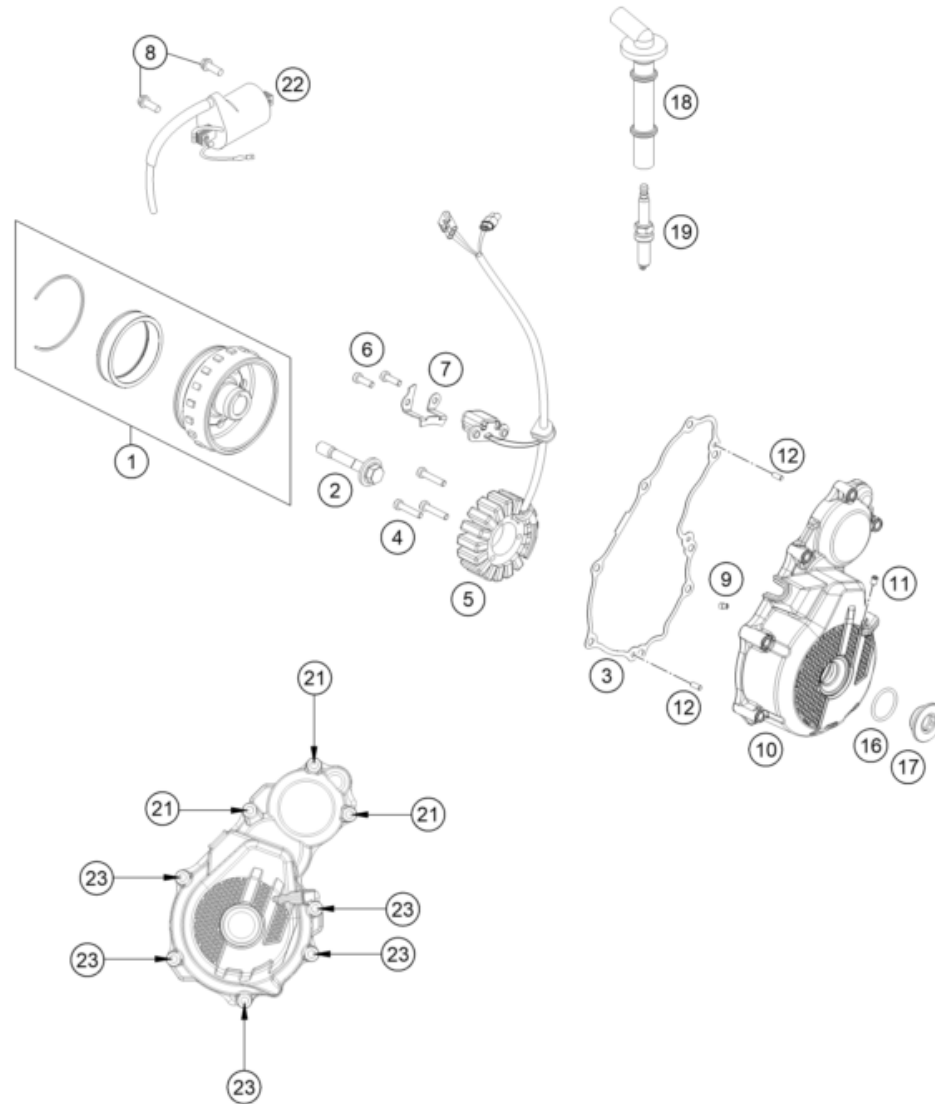
54324

\* NEW PART

X ON DEMAND

# IGNITION SYSTEM

Engine 350 EXC-F 2022 2022



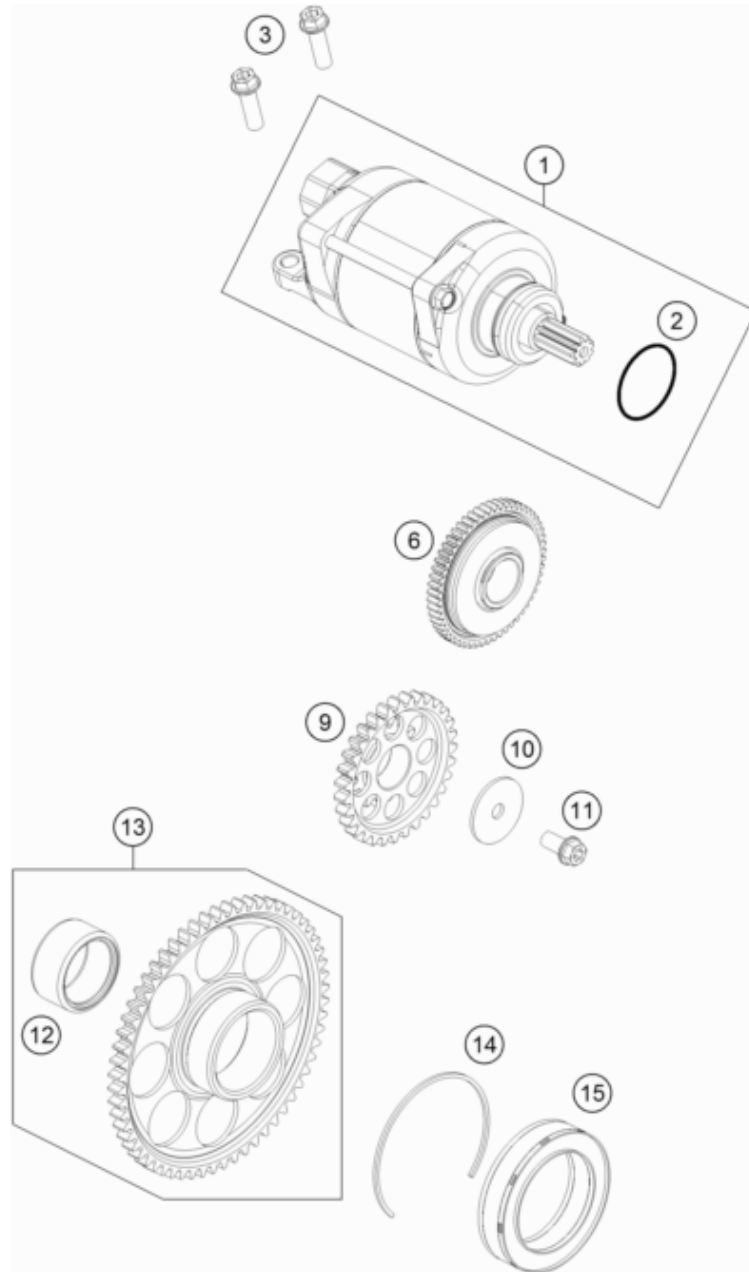
| POS | PARTNUMBER    | PARTNAME                                 | PIECE |
|-----|---------------|--|-------|
| 1   | 79239105044   | ROTOR EFI CPL.                           | 1     |
| 2   | 77339010100   | FLYWHEEL SCREW                           | 1     |
| 3   | 79230040000   | IGNITION COVER GASKET                    | 1     |
| 4   | 0012050303S   | Cap head screw DIN 6912 - M5x30 self loc | 3     |
| 5   | 79239104100   | Stator                                   | 1     |
| 6   | 0912050163S   | Cap head screw DIN912 - M5x16 - 8.8      | 2     |
| 7   | 79230102050   | CABLE BRACKET                            | 1     |
| 8   | 0026060186    | COLLAR SCREW M6X18 ISA30                 | 2     |
| 9   | 80030058060   | OIL JET "60" M4                          | 1     |
| 10  | 7923010210015 | Ignition cover                           | 1     |
| 11  | 0913050063S   | THREAD PIN DIN 913 M5X6                  | 1     |
| 12  | 0402040980    | NEEDLE ROL.DIN5402 NRB 4X9,8             | 2     |
| 16  | 07700240251   | o-ring 24.00x2.50 Viton                  | 1     |
| 17  | 7723000216030 | SCREW PLUG M24X1,5                       | 1     |
| 18  | 79139090000   | Resistor Plug Cover                      | 1     |
| 19  | 77839093000   | spark plug NGK LMAR9AI-10                | 1     |
| 21  | 0025060306    | HH collar screw M6x30 TX30               | 3     |
| 22  | 58439006000   | IGNITIONCOIL IG3826 KOKUSAN'96           | 1     |
| 23  | 0025060406    | HH collar screw M6x40 TX30               | 5     |

217913910

56960

\* NEW PART

X ON DEMAND



| POS | PARTNUMBER  | PARTNAME                       | PIECE |
|-----|-------------|--------------------------------|-------|
| 1   | 79240001000 | E-STARTER ENGINE CPL.          | 1     |
| 2   | 0770250030  | O-RING 25,00X3,00 NBR 70       | 1     |
| 3   | 0025060256  | HH collar screw M6x25 TX30     | 2     |
| 6   | 79240016100 | Torque limiter                 | 1     |
| 9   | 79240022100 | Intermediate starting gear     | 1     |
| 10  | 79240017000 | STOP DISC 6X26X1,5             | 1     |
| 11  | 0025060126  | HH collar screw M6x12 TX30     | 1     |
| 12  | 0618253216  | NEEDLE BUSH HK2516 25/32/16 02 | 1     |
| 13  | 79240020033 | freewheel gear cpl.            | 1     |
| 14  | 0472057150  | CIRCLIP DIN0472-57X1,50        | 1     |
| 15  | 79240026000 | FREEWHEEL                      | 1     |

197964010

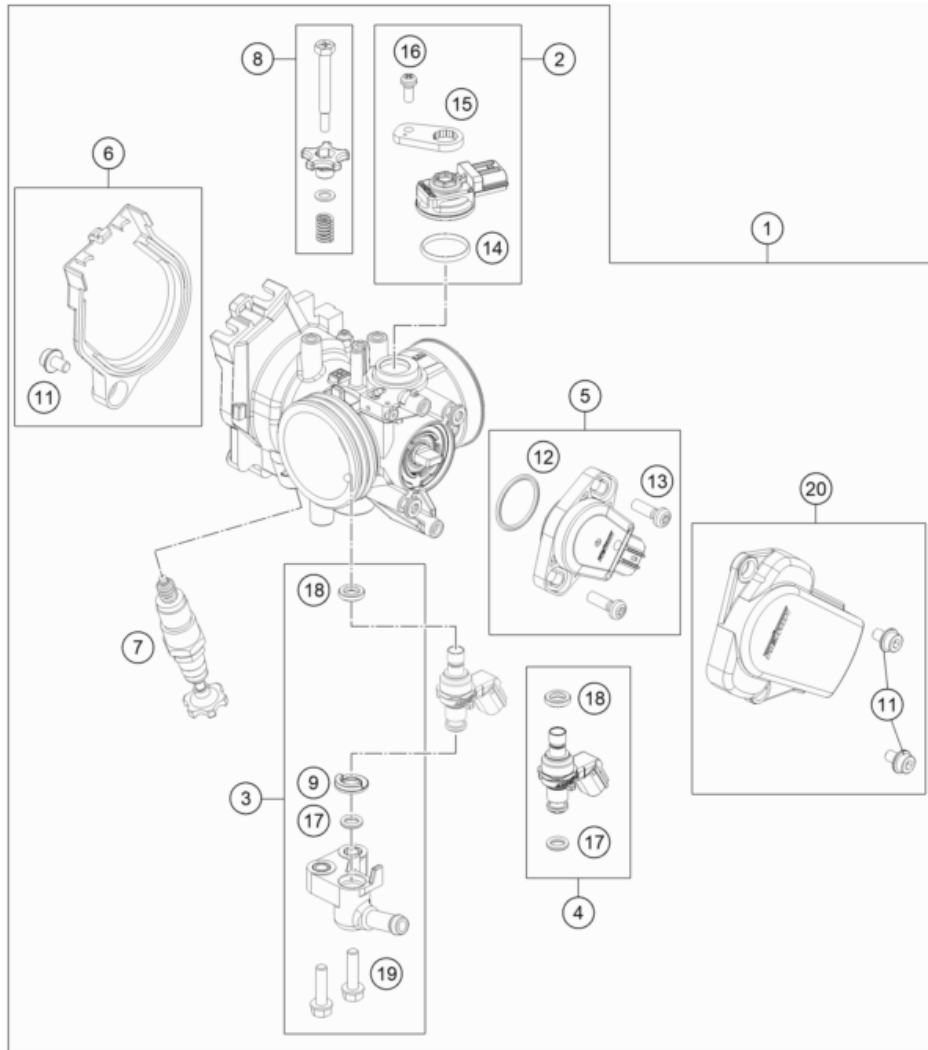
52220

\* NEW PART

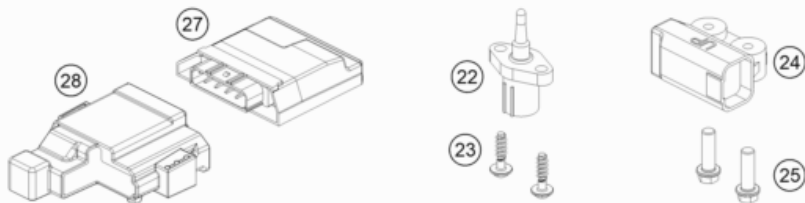
X ON DEMAND

# THROTTLE BODY

Engine 350 EXC-F 2022 2022



| POS | PARTNUMBER  | PARTNAME                       | PIECE |
|-----|-------------|--------------------------------|-------|
| 1   | 79741001000 | throttle body                  | 1     |
| 2   | 77741085044 | MAP SENSOR CPL.                | 1     |
| 3   | 79041013044 | FUEL PIPE CPL.                 | 1     |
| 4   | 79041023144 | Injector cmpl.                 | 1     |
| 5   | 79041077044 | TPS CPL.                       | 1     |
| 6   | 79141056044 | DKK Cover cpl.                 | 1     |
| 7   | 79041070000 | STARTER VALVE CPL.             | 1     |
| 8   | 77741060044 | IDLING ADJUSTING SCREW CPL.    | 1     |
| 9   | 79041023030 | SEAL RING                      | 1     |
| 11  | 79041056020 | SPECIAL SCREW                  | 3     |
| 12  | 75041077110 | O-RING                         | 1     |
| 13  | 61041077020 | SCREW THROTTLE POS. SENSOR     | 2     |
| 14  | 75041085010 | O-RING                         | 1     |
| 15  | 77741085020 | PLATE                          | 1     |
| 16  | 81241085030 | SPECIAL SCREW                  | 1     |
| 17  | 60341023020 | O-RING                         | 1     |
| 18  | 75041023010 | SEAL RING                      | 1     |
| 19  | 79041013060 | SPECIAL SCREW M5X20            | 2     |
| 20  | 79141078044 | TPS Cover cpl.                 | 1     |
| 22  | 61041080000 | AMBIENT-AIR TEMPERATURE SENSOR | 1     |
| 23  | 0081050181  | SCREW FOR PLASTIC K50X18 T20   | 2     |
| 24  | 61041088000 | ROLLOVER SENSOR 05             | 1     |
| 25  | 0025060206  | HH collar screw M6x20 TX30     | 2     |
| 27  | 79641031000 | ENGINE CONTROL UNIT EFI        | 1     |
| 28  | 79041031050 | ECU RUBBER HOLDER              | 1     |



207934110

52725

\* NEW PART

X ON DEMAND



# KTM.COM



089360VEN

KTM Sportmotorcycle GmbH  
5230 Mattighofen, Austria  
[www.ktm.com](http://www.ktm.com)

**KTM** POWERPARTS

**KTM** POWERWEAR

**KTM** ORIGINAL SPARE PARTS

