

Engine 350 EXC-F 2024 2024

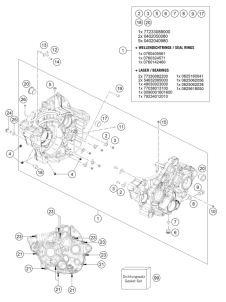
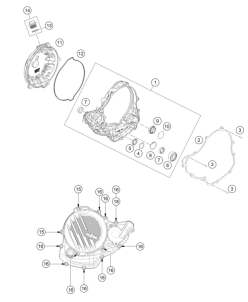
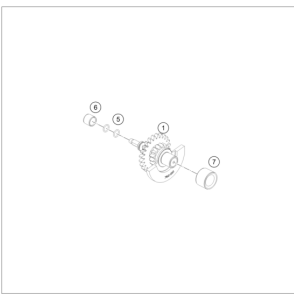
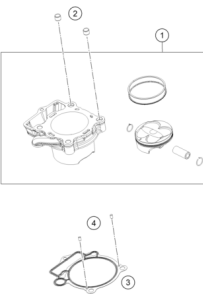
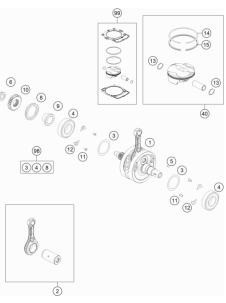
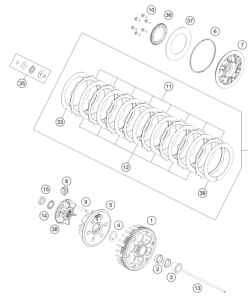
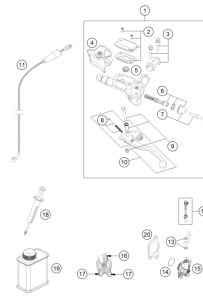
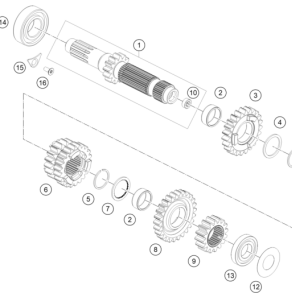
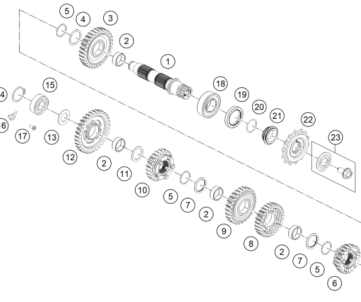

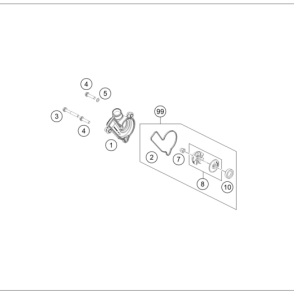
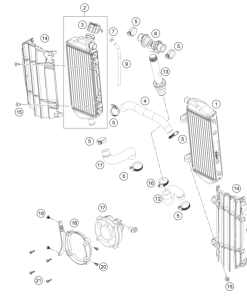
ART.-NR.: 089360XEN



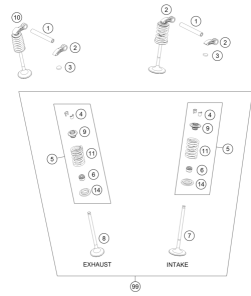


All information contained is without obligation. KTM Sportmotorcycle GmbH particularly reserves the right to modify any equipment, technical specifications, prices, colors, shapes, materials, services, service work, constructions, equipment and the like so as to adapt them to local conditions or to cancel any of the above items, all without previous announcement and without giving reasons. KTM may stop manufacturing certain models without previous notice. KTM shall not be held liable for any deviations of availability and/or ability to deliver, illustrations, descriptions, printing and/or other errors. The illustrated models partly contain extra equipment, which is not applied to standard models.

© by KTM Sportmotorcycle GmbH, Mattighofen AUSTRIA; All rights reserved; Reprint, also in extracts, with written allowance of KTM Sportmotorcycle GmbH, Mattighofen only.

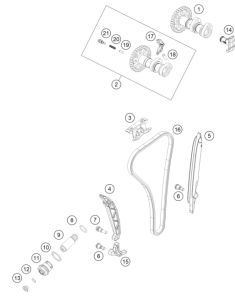
<p>ENGINE CASE</p>  <p>3</p>	<p>CLUTCH COVER</p>  <p>4</p>	<p>BALANCER SHAFT</p>  <p>5</p>	<p>CYLINDER</p>  <p>6</p>
<p>CRANKSHAFT, PISTON</p>  <p>7</p>	<p>CLUTCH</p>  <p>8</p>	<p>CLUTCH CONTROL</p>  <p>9</p>	<p>TRANSMISSION I - MAIN SHAFT</p>  <p>10</p>
<p>TRANSMISSION II - COUNTERSHAFT</p>  <p>11</p>	<p>SHIFTING MECHANISM</p>  <p>12</p>	<p>WATER PUMP</p>  <p>13</p>	<p>COOLING SYSTEM</p>  <p>14</p>

VALVE DRIVE



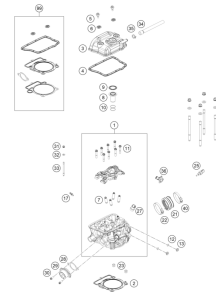
15

TIMING DRIVE



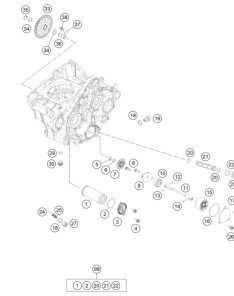
16

CYLINDER HEAD



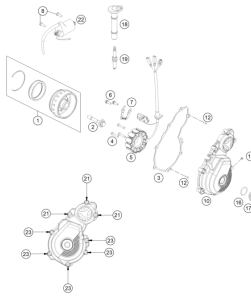
17

LUBRICATING SYSTEM



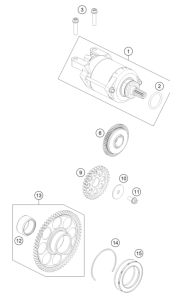
18

IGNITION SYSTEM



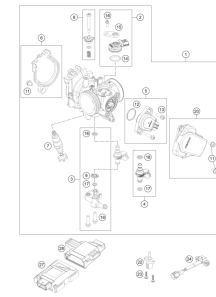
19

ELECTRIC STARTER

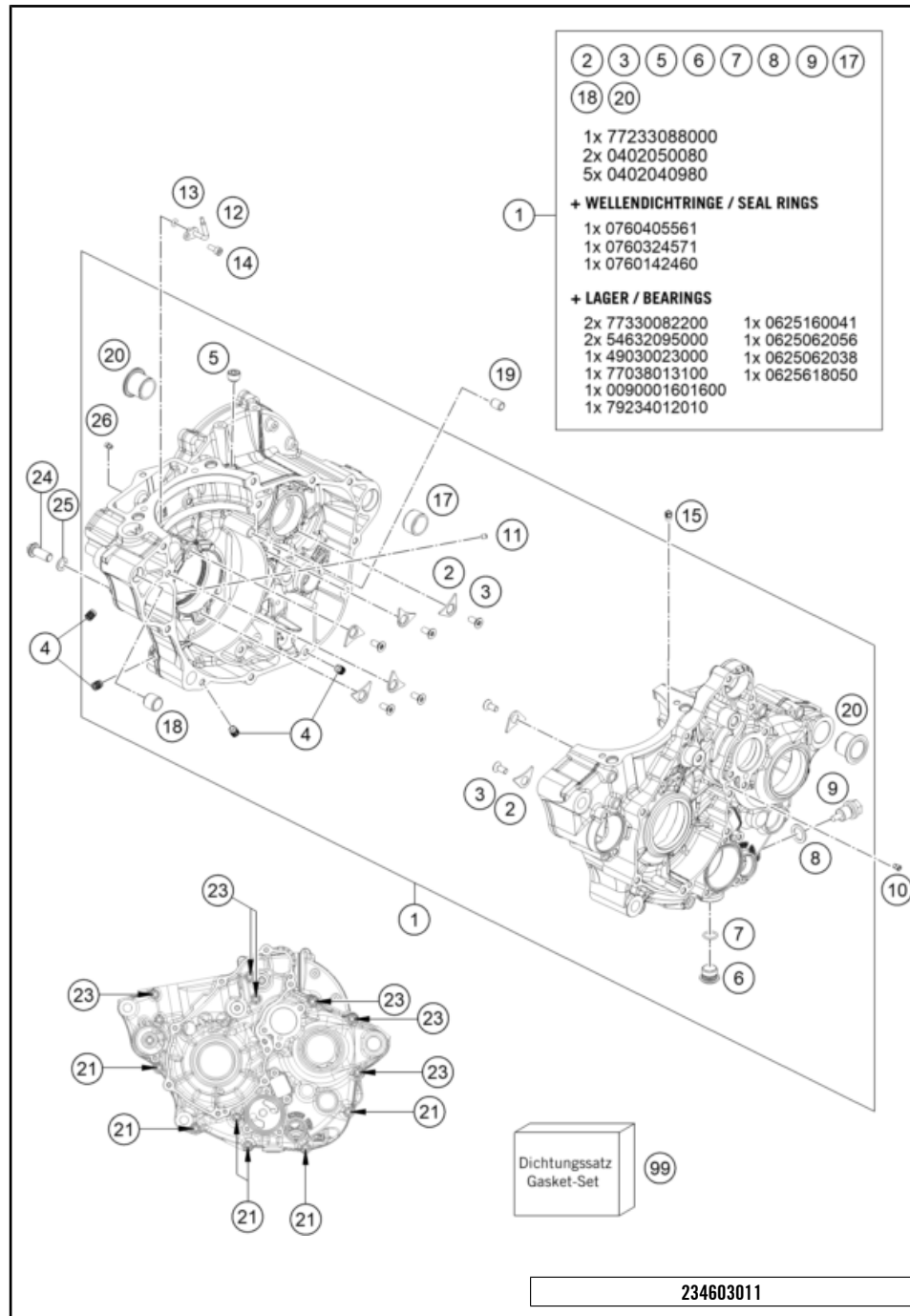


20

THROTTLE BODY



21



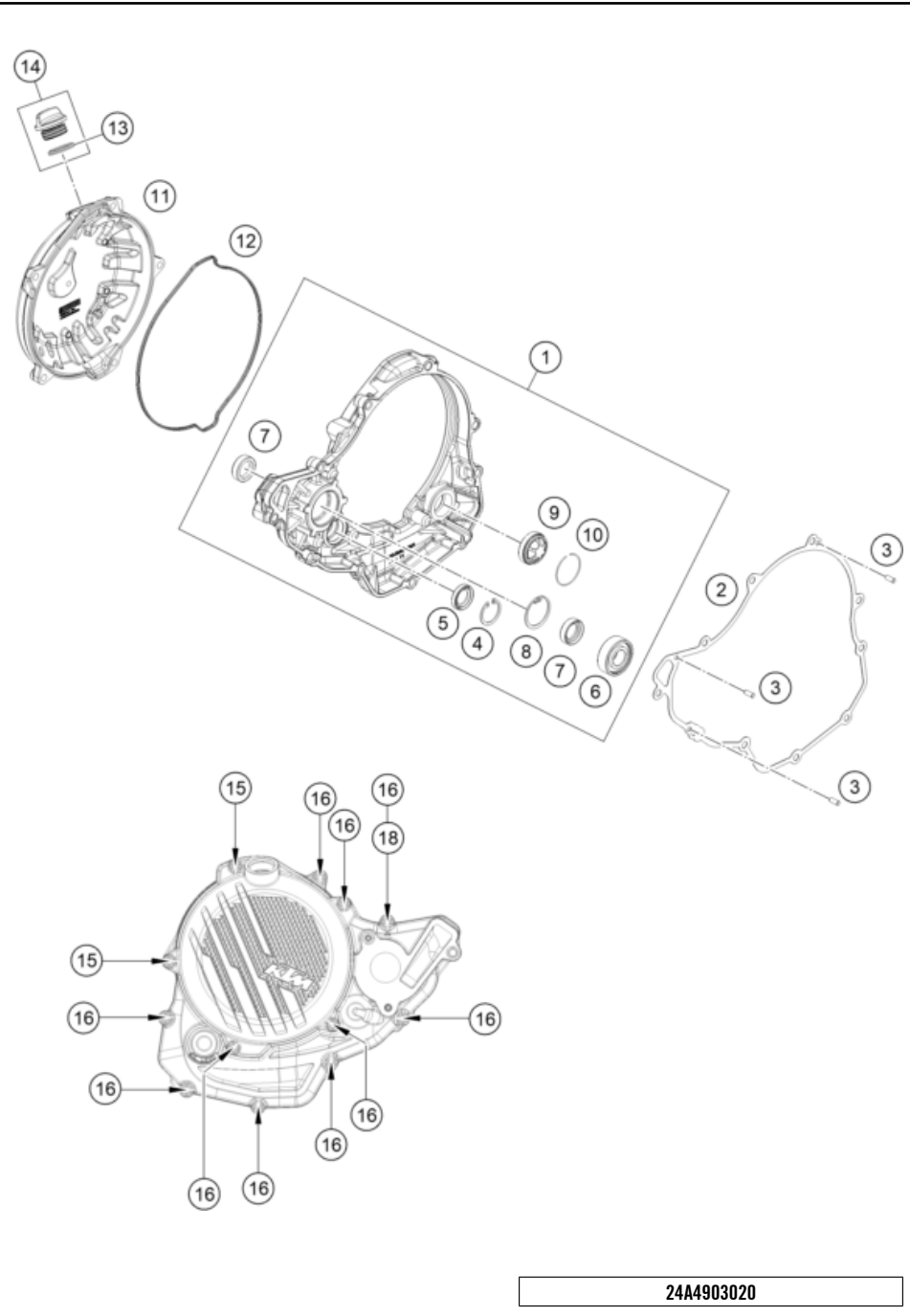
POS	PARTNUMBER	PIECE
1	A46030000044	engine case cpl. 1
2	75030085100	Retaining bracket crankshaft bearing 7
3	0019050121S	INT. TORX FLAT HEAD M5X12 T25 7
4	59030296000	SCREW PLUG 4
5	0906100100	pipe plug DIN 906 M10x1 1
6	78036081000	HOLDING BOLT M14X1,5 1
7	0770110015	O-RING 1,5x11 SILICON 1
8	58038022000	CU-SEAL RING DIN7603-12X18X1,5 1
9	58030021100	oil drain plug with magnet 1
10	80030058060	OIL JET "60" M4 1
11	79330058040	Nozzle 1
12	77830064070	OIL JET CURVED " 70 " 1
13	0770035020	O-RING 3,5X2,00 NBR 1
14	0912040103S	Cylinder screw DIN 912-M4x10-8.8 SS 1
15	60030063070	oil jet 70 M5 1
17	54830027100	Dowel, 21x12 1
18	54630027000	DOWEL BUSHING 13,8X11X12 1
19	59030023000	dowel sleeve 6x8x11.5 1
20	79230010000	Housing bush 2
21	0025060556	HH collar screw M6x55 TX30 6
23	0025060706	HH COLLAR SCREW M6X70 TX30 6
24	0000150802000	Screw, M8x20 SW=8 8.8 1
25	0603082131	COPPER GASK.DIN7603- 8,2X13X1 1
26	59030058000	JET 100 BING(44-031/180) M4 1
99	A47030099000	Engine seal kit 350cc 1

* NEW PART

X ON DEMAND

CLUTCH COVER

Engine 350 EXC-F 2024 2024



POS	PARTNUMBER		PIECE
1	A46030001044	inner clutch cover cpl.	1
2	A46030025000	Clutch cover gasket	1
3	0402040980	NEEDLE ROL.DIN5402 NRB 4X9,8	3
4	0472024120	CIRCLIP DIN0472-24X1.2	1
5	0760142450	SHAFT SEAL RING 14X24X5 VITON	1
6	0625062022	BALL BEARING 6202 C0 2	1
7	07601530451	SHAFT SEAL RING 15X30X4.5 BAUD	2
8	0472300120	CIRCLIP 30X1,2	1
9	59030019200	OIL SIGHT GLASS	1
10	61030019050	CIRCLIP OIL LEVEL GLASS 03	1
11	A49030026000C1	Clutch cover, external	1
12	A48030027000	Clutch cover gasket external	1
13	0770191015	O-RING 19,00X3,00 NBR	1
14	79430020033	OIL FILLER CAP M24x3 WITH O-R	1
15	0025060456	HH COLLAR SCREW M6X45 TX30	3
16	0025060256	HH collar screw M6x25 TX30	10
18	0603061001	CU-SEAL RING DIN7603-6X10X1	1

24A4903020

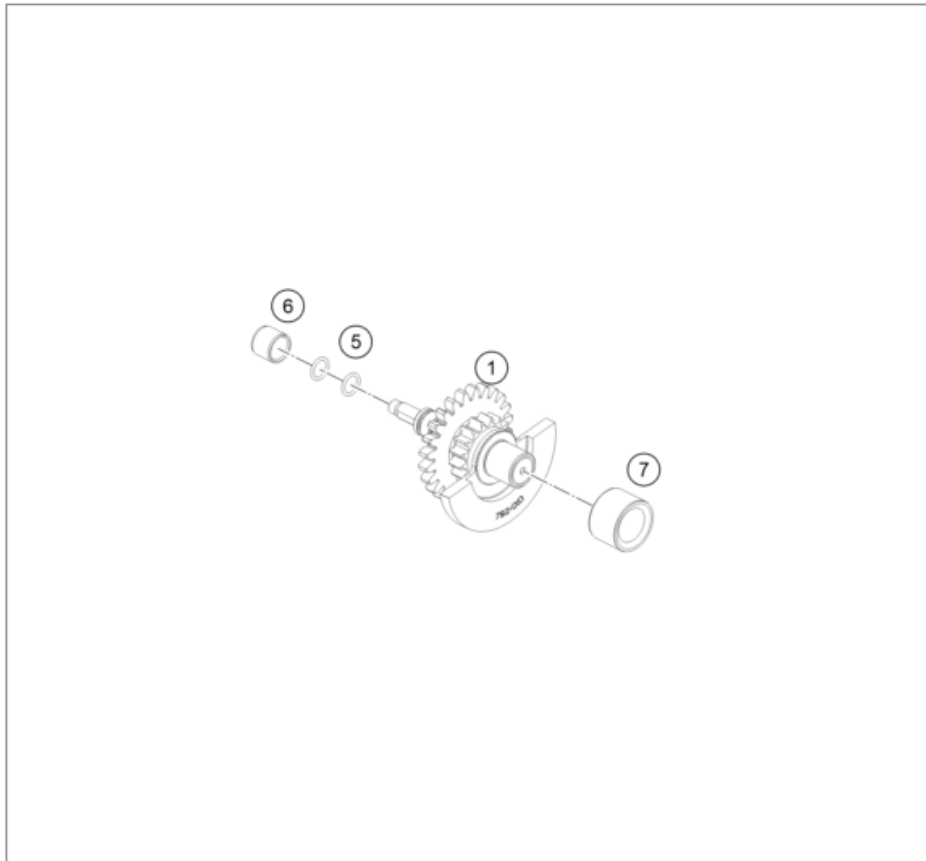
63943

* NEW PART X ON DEMAND

BALANCER SHAFT

Engine 350 EXC-F 2024 2024

POS	PARTNUMBER		PIECE
1	79236072233	Balancing shaft preassembled	1
5	07700900151	O-RING 9x1,5 V80 SH	2
6	77236072120	Wear bushing 12/15/12,5	1
7	0090001601600	Slide bearing bushing, balancer shaft	1



247913030

62481

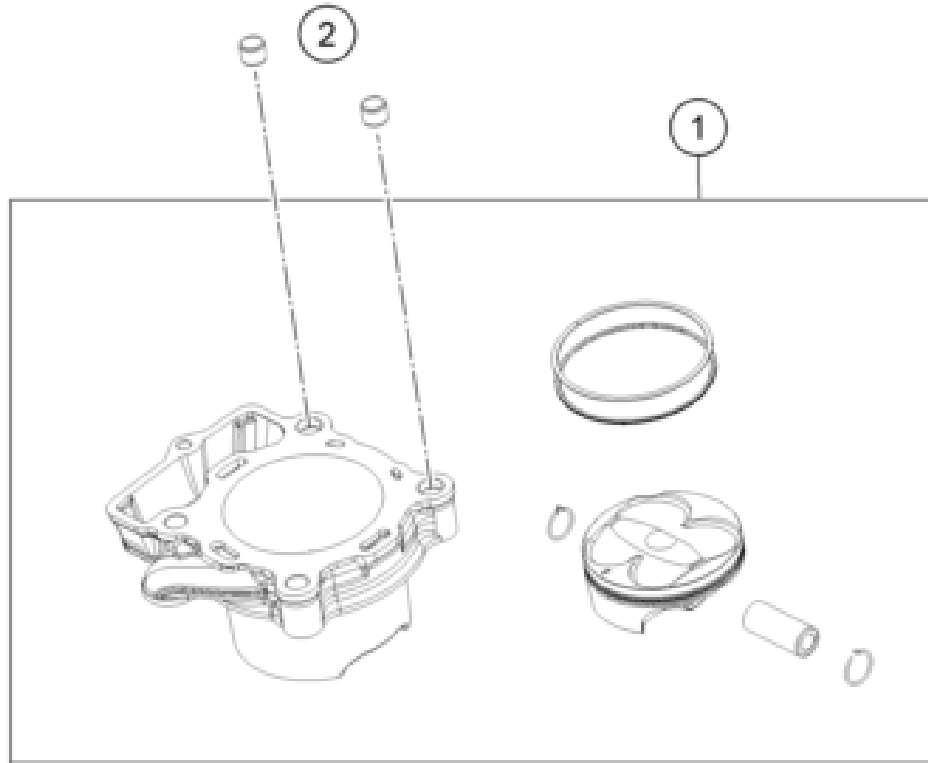
* NEW PART

X ON DEMAND

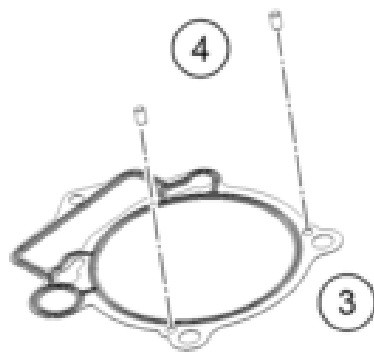
ENGINE 5

CYLINDER

Engine 350 EXC-F 2024 2024



POS	PARTNUMBER		PIECE
1	A47030038000	Cylinder + Piston	1
2	58530014100	dowl sleeve 10.2x12.5x10	2
3	A46030035000	Cylinder base gasket	1
4	0402050980	needle roller DIN 5402 5x9.8	2

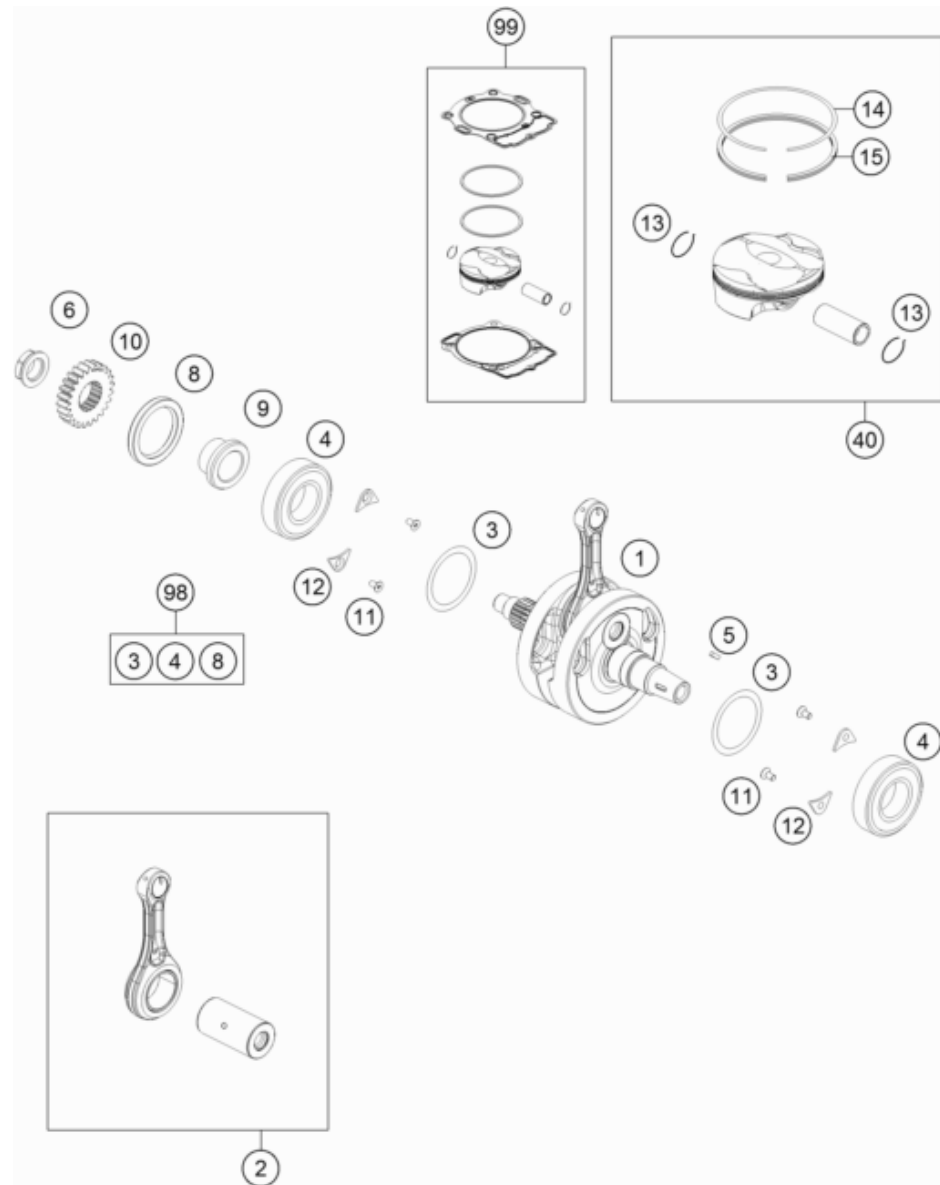


224603040

59976

* NEW PART

X ON DEMAND



POS	PARTNUMBER		PIECE
1	79330118000	CRANKSHAFT Cmpl.	1
2	79330115044	Connecting rod repair kit	1
3	0988324510	THRUST WASHER 988ST 32X0,1	x
3	0988324515	THRUST WASHER 988ST 32X0,15	x
3	0988324530	THRUST WASHER 988ST 32X0,30	x
4	77330082200	BEARING NJ 206 ECP/HN3C4HVA624	2
5	0888030037	WOODRUFF KEY DIN6888-3X3,7	1
6	0910001801000S	Nut M18x1.5 Precote	1
8	0760405561	SHAFT SEAL RING A 40X55X6 V.	1
9	77232022000	SPACER BUSHING PRIMARY GEAR	1
10	79232023124	gear primary drive	1
11	0019050121S	INT. TORX FLAT HEAD M5X12 T25	4
12	75030085000	RETAINING PLATE F. CS BEARING	4
13	79230274000	CIRCLIP PISTON PIN	2
14	77230030000	COMPRESSIONRING 350	1
15	79230232100	Oil scraper ring	1
40	A47030007000 I	piston I cpl. 350 MX	x
40	A47030007000 II	piston II cpl. 350 MX	x
98	79230018088	Crankshaft repair kit	x
99	A47030007010 I	piston kit I	x
99	A47030007010 II	Pistonkit II	x

177963061

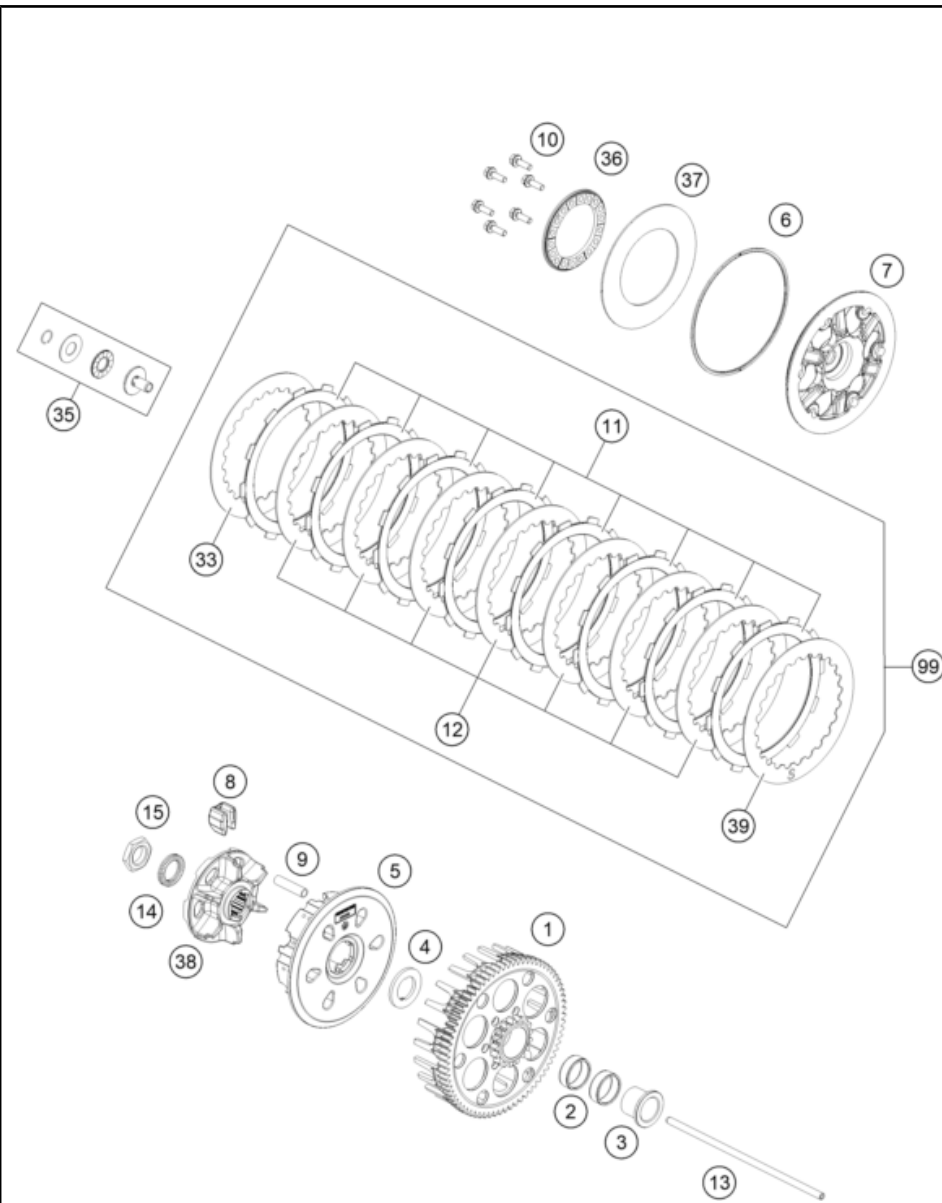
63989

* NEW PART

X ON DEMAND

CLUTCH

Engine 350 EXC-F 2024 2024



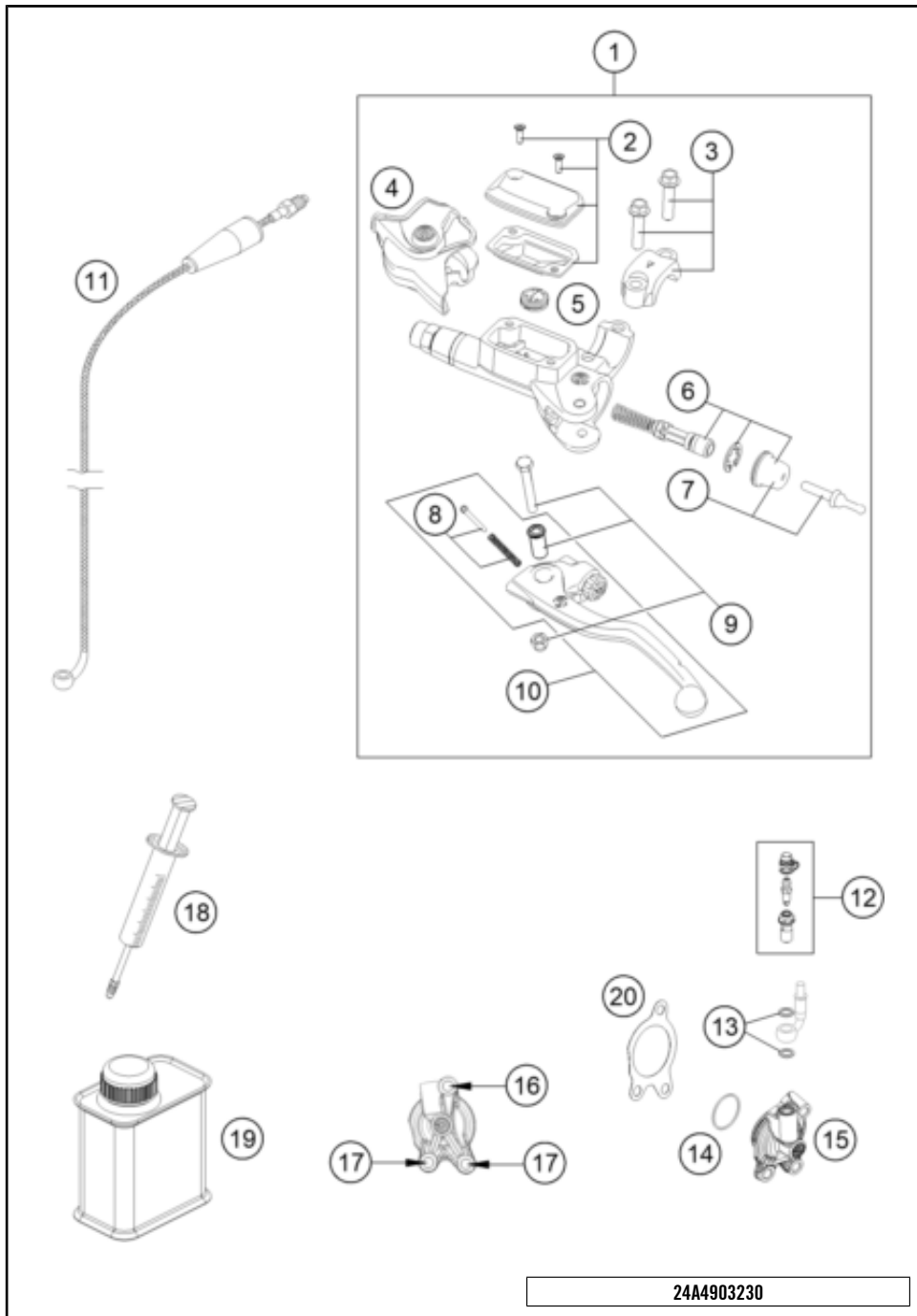
POS	PARTNUMBER		PIECE
1	A46032001072	Outer clutch hub	1
2	0405252910	NEEDLE BEAR K 25X29X10	2
3	A46032015000	Collar sleeve	1
4	78932009000	WASHER 22 X 36,5 X 3	1
5	78132002400	Inner clutch hub	1
6	78132013000	WASHER 112X118X1.5	1
7	79432003100	Clutch pressure plate	1
8	78132025100	DAMPING RUBBER	6
9	77232104000	Sleeve, 7.95x38	6
10	0025050166	HH collar screw M5x16 TX30	6
11	79532011000	Lining disc 1,95mm	8
12	59032010200	INTERMEDIATE DISC 1,4MM 2002	7
13	A46032054000	Push rod	1
14	0252012002900	Wedge lock washer 19.5x29x3.4	1
15	0936181506	Hex nut DIN0936-M18x1.5 right	1
33	59032010100	INTERMEDIATE DISC 1MM 2002	1
35	78032057044	PRESSURE PIECE CPL. 08	1
36	78132006200	Spring retainer	1
37	78132005000	BELLEVILLE SPRING 71X115X1,5 I	1
38	78132002211	Clutch center	1
39	78932010000	INTERMEDIATE DISC 1MM	1
99	79532010033	CLUTCH DISC PACKAGE	1

227953210

63920

* NEW PART

X ON DEMAND



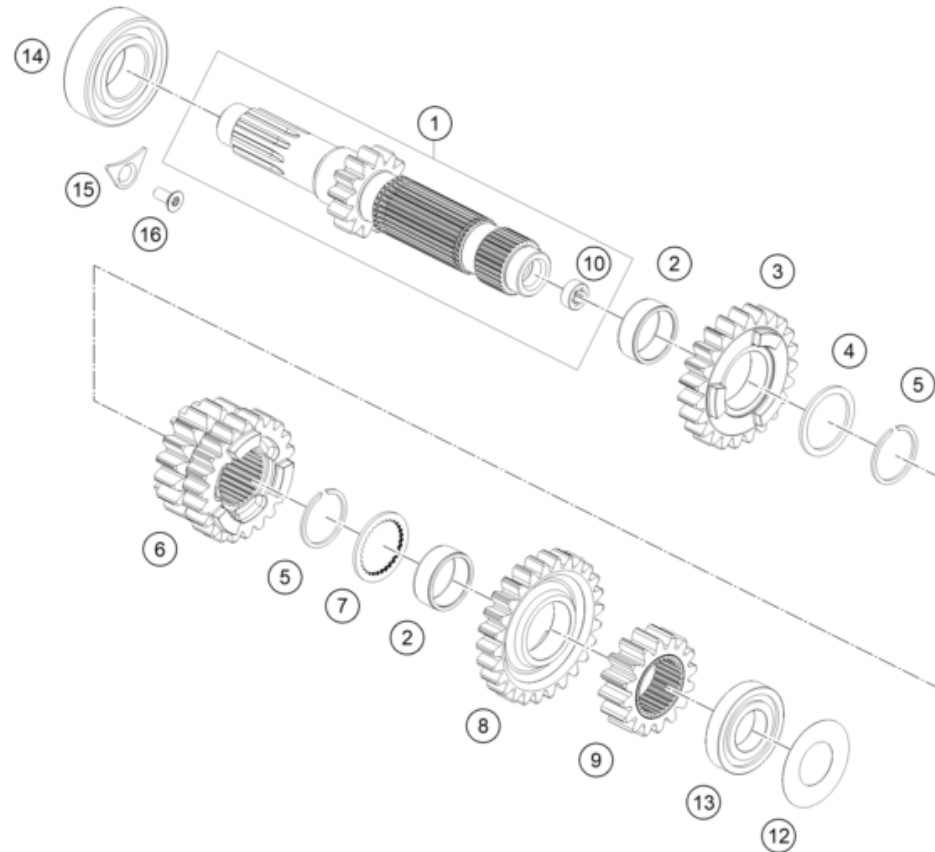
POS	PARTNUMBER		PIECE
1	54802030144	MASTER CYLINDER CPL.	1
2	5480200310030	COVER HYD. CLUTCH CPL. 2014	1
3	54802005100	CLAMP CPL. 06	1
4	54802037000	PROTECTION CAP 06	1
5	54802051000	VALVE	1
6	54802032000	REP. KIT PISTON 06	1
7	54802046000	PUSH ROD CPL.	1
8	54802052000	BOLT KPL.	1
9	54802038100	LEVER SCREW CPL. 06	1
10	54802031000	CLUTCH LEVER CPL. BREMBO 06	1
11	79232063000	CLUTCH PIPE	1
12	79032064000	BLEEDER SCREW CPL.	1
13	0603082121	SEAL RING CU DIN7603- 8X12X1	2
14	07703305178	O-RING 33,05X1,78	1
15	79232061044	OUTPUT CYLINDER CPL.	1
16	0025060256	HH collar screw M6x25 TX30	1
17	0025060166	HH collar screw M6x16 TX30	2
18	50329050000	VENT INJEKTION HYDR. CLUTCH	1
19	00062030000	BRAKE FLUID DOT5.1 0,25L	1
20	79232065100	Seal, slave cylinder	1

24A4903230

68044

* NEW PART

X ON DEMAND



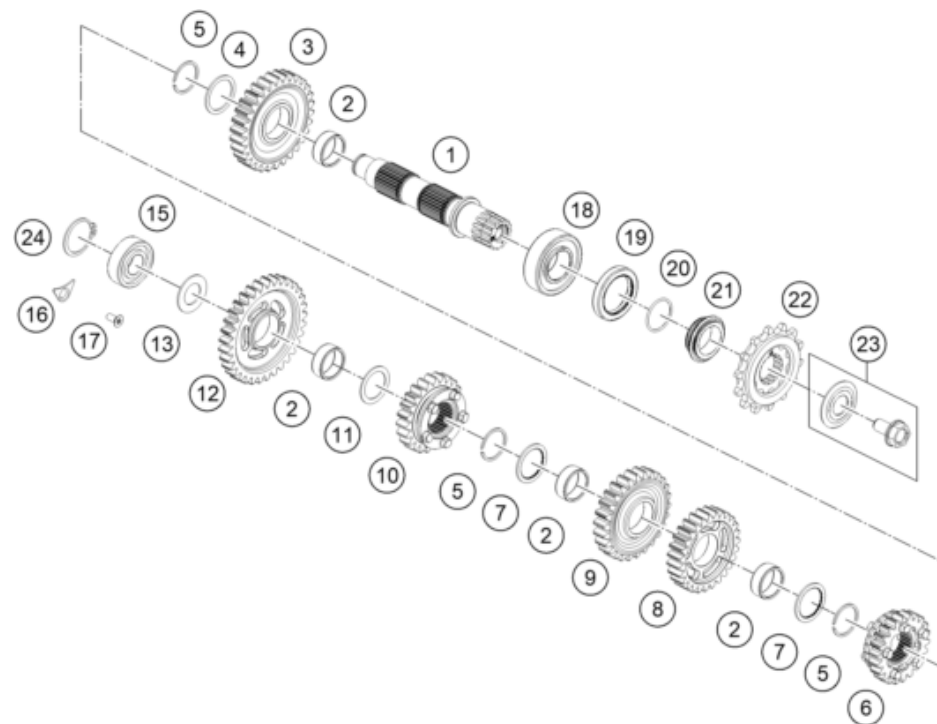
POS	PARTNUMBER		PIECE
1	A46033501000	Main shaft compl.	1
2	0405222611	NEEDLE BEAR.K 22X26X10 DIVIDED	2
3	A46033505000	Idler gear 5th gear, teeth=23	1
4	54833044000	STOP DISC 25X31X1,5	1
5	0417024000	CIRCLIP WS24	2
6	A46033503000	Sliding gear 3rd/4th gear, teeth=16/23	1
7	54833043000	STOP DISC 25X0,8X30X30X7H	1
8	A46033506000	Idler gear sixth-gear, teeth=26	1
9	A46033502000	Fixed gear 2nd gear, teeth=16	1
10	79133001010	bushing	1
12	77233088000	SPACER SHIM 21X42X0.2	1
13	0625160041	BALL BEARING TM 16004 C4	1
14	0625062056	Groove ball bearing 6205 C4 NTN	1
15	75030085000	RETAINING PLATE F. CS BEARING	1
16	0019050121S	INT. TORX FLAT HEAD M5X12 T25	1

234603330

59943

* NEW PART

X ON DEMAND



POS	PARTNUMBER		PIECE
1	A46033510000	Countershaft	1
2	0405222611	NEEDLE BEAR.K 22X26X10 DIVIDED	4
3	A46033512000	Idler gear 2nd gear, teeth=30	1
4	54833044000	STOP DISC 25X31X1,5	1
5	0417024000	CIRCLIP WS24	3
6	A46033516000	Sliding gear 6th gear, teeth=20	1
7	54833043000	STOP DISC 25X0,8X30X30X7H	2
8	A46033514000	Idler gear fourth-gear, teeth=26	1
9	A46033513000	Idler gear third-gear, teeth=26	1
10	A46033515000	Sliding gear fifth-gear, teeth=23	1
11	50333042000	STOP DISK 22,2X28X1 C	1
12	A46033511000	idler gear 1 st.	1
13	77233020000	STOP DISK 17,2X30X1,3	1
15	0625062038	Ballbearing NTN 6203JR2CM21	1
16	75030085000	RETAINING PLATE F. CS BEARING	1
17	0019050121S	INT. TORX FLAT HEAD M5X12 T25	1
18	49030023000	cylindrical roller bearing NJ205	1
19	0760324571	SHAFT SEAL RING 32X45X7 BSLNBR	1
20	0770020220	O-RING 25,12X1,78 NBR70	1
21	78133014000	SPACER SLEEVE COUNTER	1
22	79233129014	ENGINE SPROCKET 14Z	1
23	59033034044	SCREW 10.9+SPRING WASHER	1
24	0471170015	CIRCLIP DIN 0471-17X1, 5	1

24A4903360

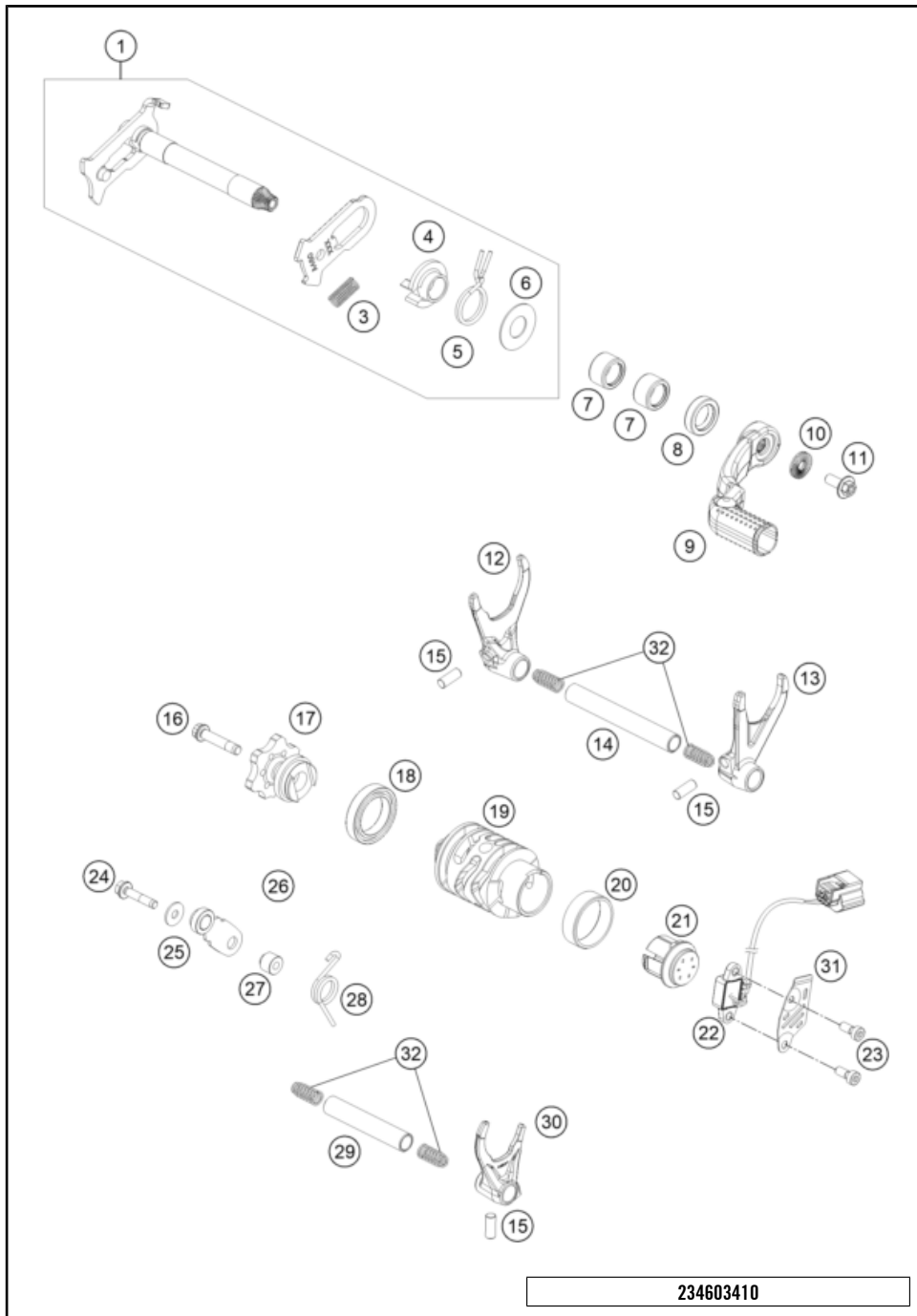
63918

* NEW PART

X ON DEMAND

SHIFTING MECHANISM

Engine 350 EXC-F 2024 2024



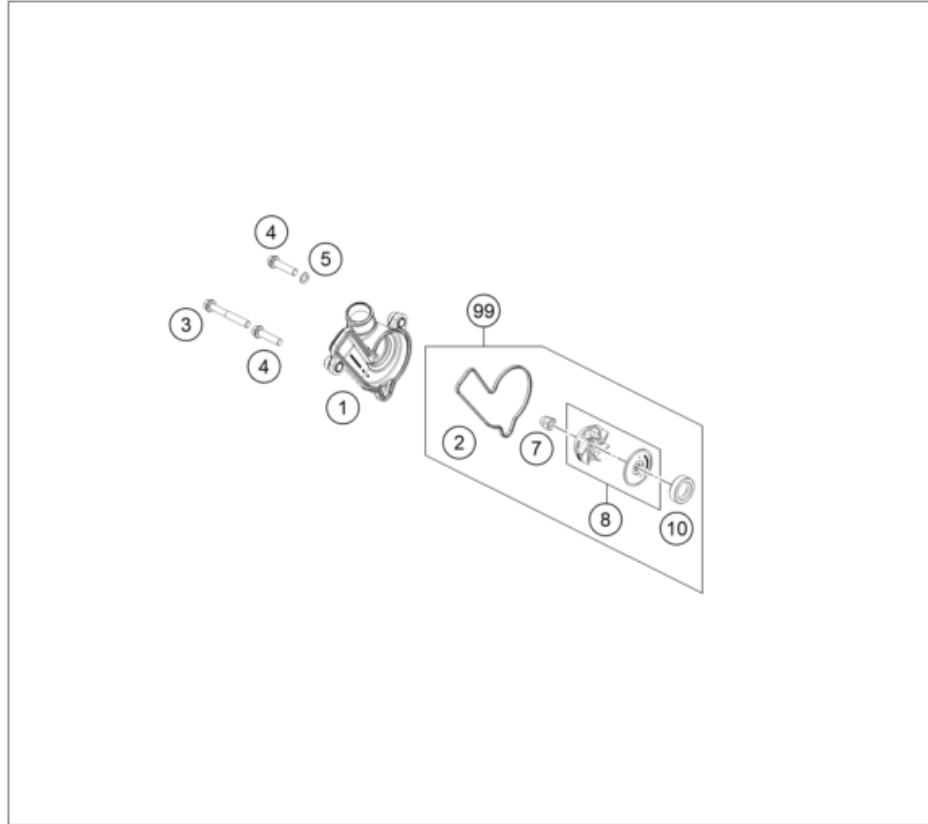
POS	PARTNUMBER		PIECE
1	A46034005033	Shift shaft cpl.	1
3	56534013100	TENSIONING SPRING 0,8MM	1
4	54634020000	SPRING GUIDE	1
5	54834014000	RETURN SPRING 03	1
6	54634050000	STOP DISK 14X30X1	1
7	54632095000	needle sleeve HK 1412 14x20x12	2
8	0760142460	radial shaft seal 14x24x6 B	1
9	79234031100	SHIFT LEVER CPL.	1
10	50233041500	PAIR NORDLOCK WASHER M6	1
11	0024060156S	HH collar screw M6x15 TX30	1
12	A46034503000	shift fork 1.-3. gear	1
13	A46034502000	shift fork 2.-4. gear	1
14	A46034019000	Shift fork shaft (L=93 mm)	1
15	0402061480	NEEDLE ROLLER DIN5402 6X14,8	3
16	0025060306S	HH collar screw M6x30 TX30	1
17	A46034015000	Shift star cpl.	1
18	0410002500700	Grooved ball bearing 6805 JR C3	1
19	A46034512000	Shift drum 6 gear	1
20	79234012010	FRICITION BEARING CONTROLLER	1
21	79234012020	magnet holder cpl.	1
22	79211023000	gear position sensor	1
23	0025050146S	Hex coll. screw M5x14 ISA30 self-locking	2
24	0025050256S	HH collar screw M5x25 TX30	1
25	0021050003	washer DIN 9021 A - 5.3	1
26	A46034024044	Detent arm cpl.	1
27	54634052300	SLEEVE FOR LOCKING LEVER	1
28	54834023000	LOCKING LEVER SPRING 03	1
29	A46034020000	Shift fork shaft (L=66 mm)	1
30	A46034501000	shift fork 5.-6. gear	1
31	A46011024000	Shield gear position sensor	1
32	58038023400	Compression spring L=25mm D=0.9mm	4

234603410

59954

* NEW PART

X ON DEMAND



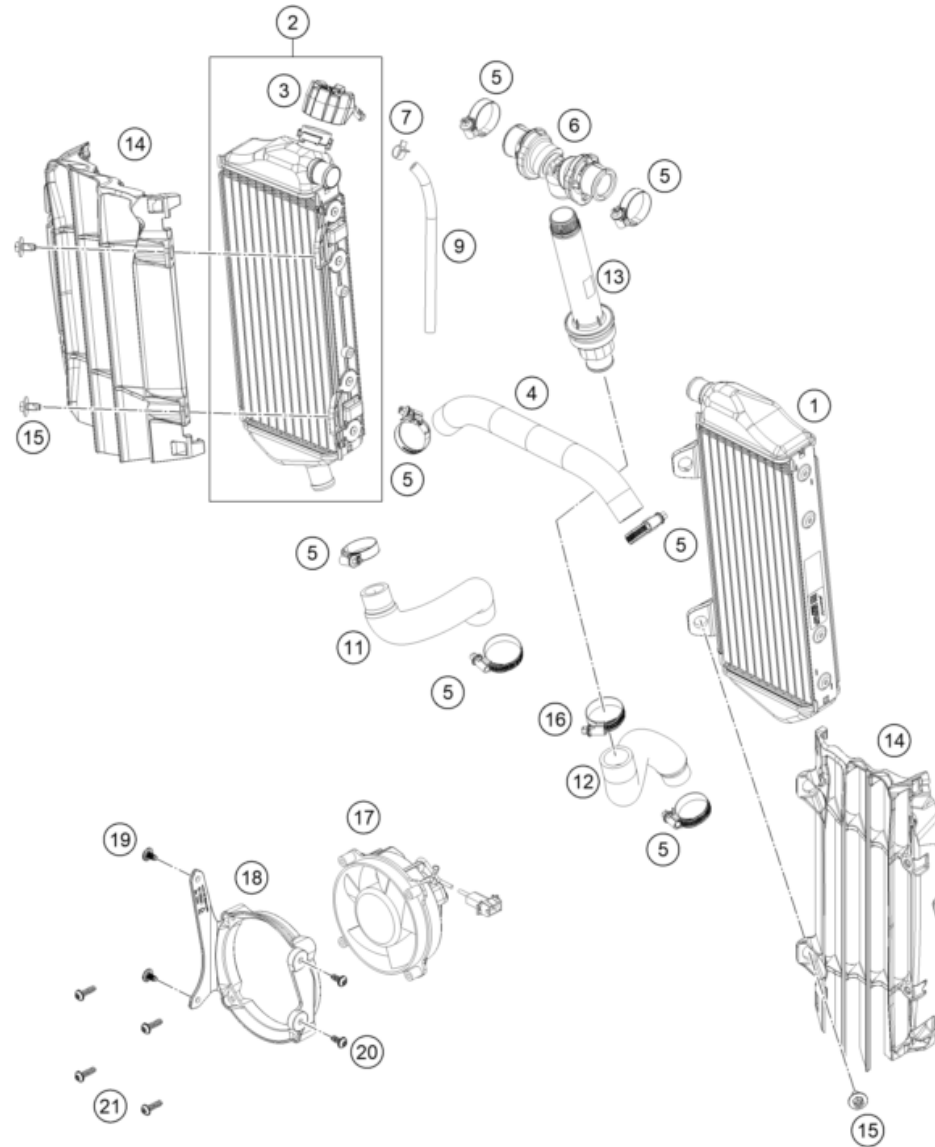
POS	PARTNUMBER		PIECE
1	A46035052000	water pump cover	1
2	A46035053000	Water pump cover seal	1
3	0025060456	HH COLLAR SCREW M6X45 TX30	1
4	0025060256	HH collar screw M6x25 TX30	2
5	0603061001	CU-SEAL RING DIN7603-6X10X1	1
7	61230045000	CAP NUT M6 STAINLESS STEEL	1
8	79235055044	WATER PUMP WHEEL CPL.	1
10	07601530451	SHAFT SEAL RING 15X30X4.5 BAUD	1
99	a46035055015	Rep. Kit Water Pump	1

224603510

58256

* NEW PART

X ON DEMAND



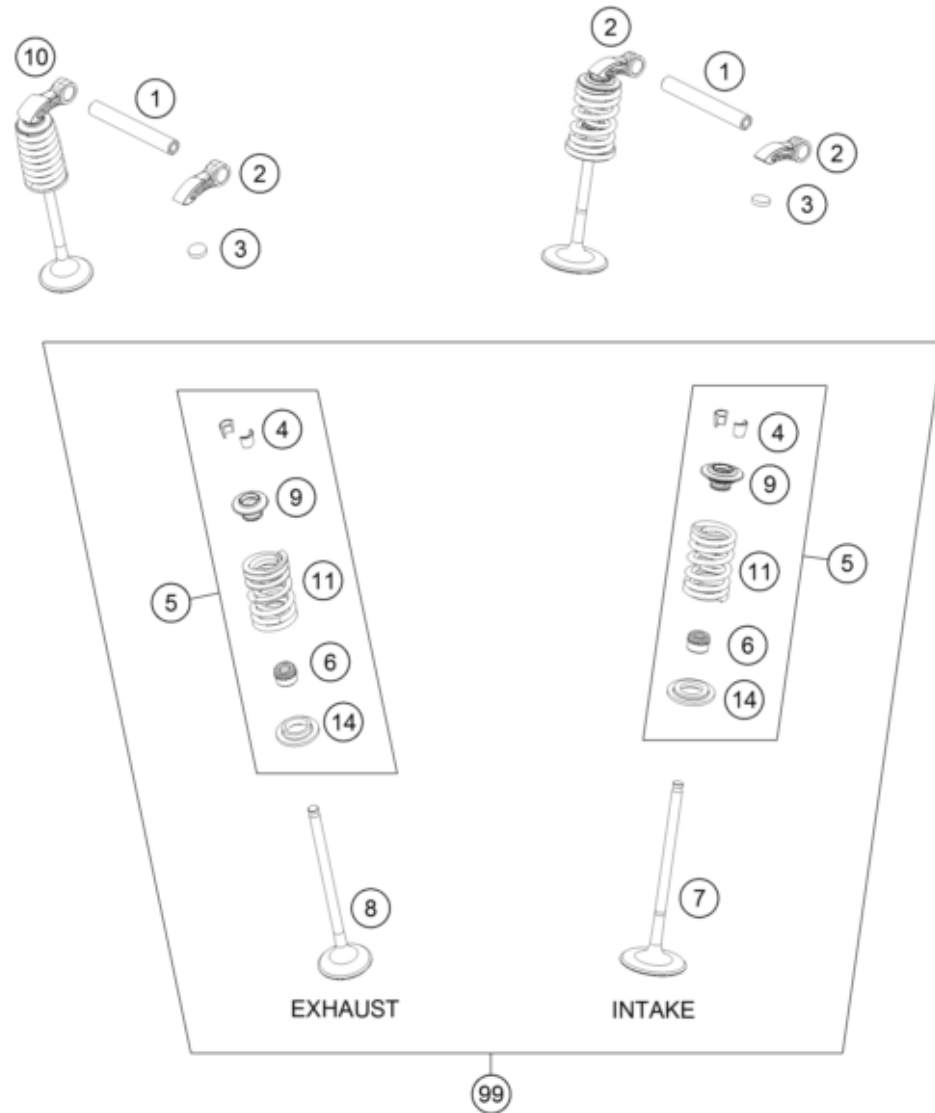
POS	PARTNUMBER		PIECE
1	A46035007000	Radiator left	1
2	A46035008000	Radiator right	1
3	A46035009000	Radiator cap	1
4	A46035025000	Pre-formed hose radiator left/right	1
5	0310000902900	Hose clip 18-29	7
6	A46035071044	Y-piece cmpl.	1
7	59007017000	CLAMP YDNAC 10096F (9,6MM)	1
9	50335030001	PVC-HOSE 6X9	x
11	A46035024000	Pre-formed hose engine/radiator right	1
12	A46035023000	Pre-formed hose, engine/riser	1
13	A49035073033	Screw-in nozzle with thermo.re	1
14	A46035036044C1	Radiator protection set, black	1
15	0900000601203	HH ISR collar screw M6x12-10.9 ISA30	4
16	0310000903200	Hose clip 20-32	1
17	58435041000	FAN CPL. 12V LC4 2000 only for US	1
18	79735943000	Radiator fan support only for US	1
19	0081050121	EJOT PT screw K50x12 only for US	2
20	0080150100	EJOT SHEETTRACS SCREW 50X10 only for US	2
21	0081050181	SCREW FOR PLASTIC K50X18 T20 only for US	4

24A4903532

67120

* NEW PART

X ON DEMAND



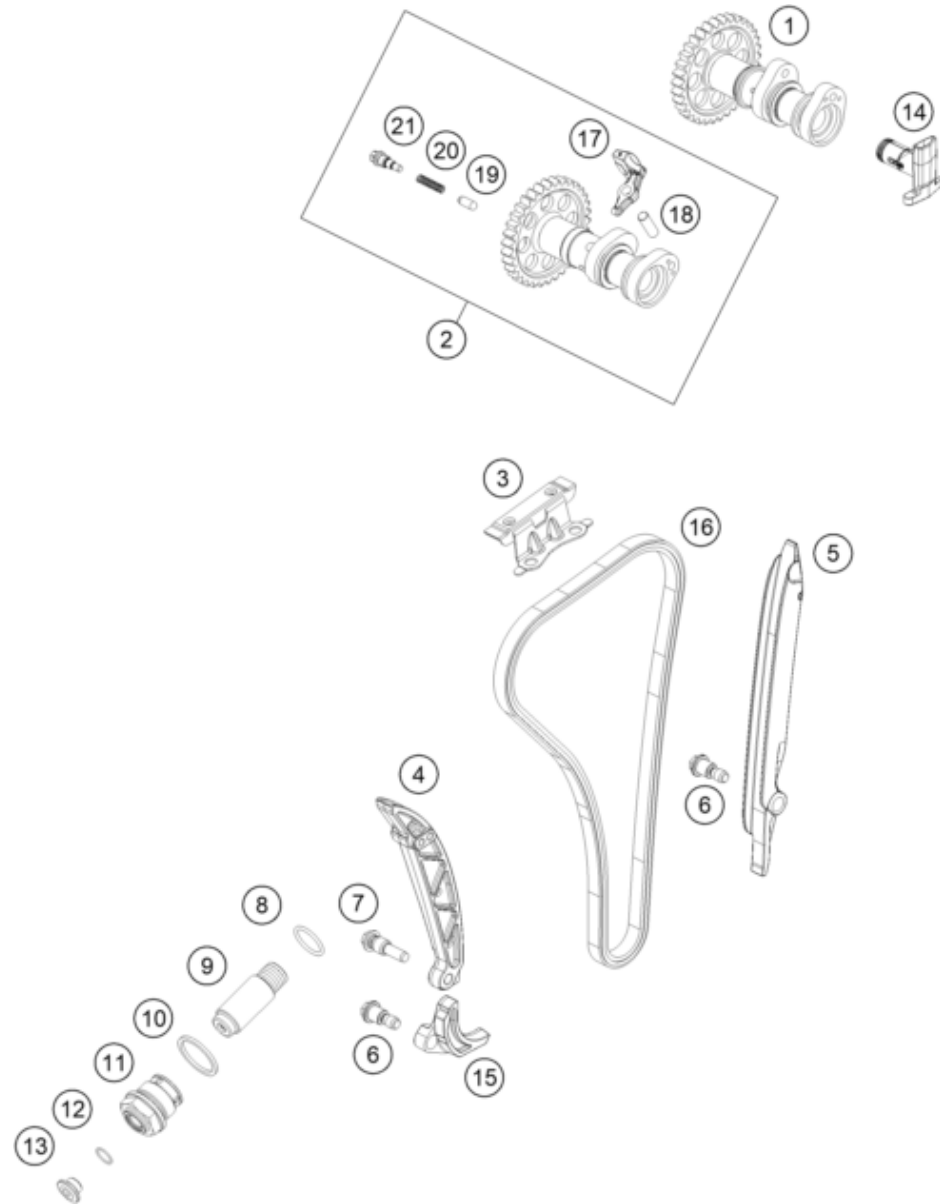
POS	PARTNUMBER		PIECE
1	77236056100	Cam follower shaft	2
2	77236060100	VALVE LEVER	3
3	77036035172	SHIM D=8,9/1,72	x
3	77036035176	SHIM D=8,9/1,76	x
3	77036035180	SHIM D=8,9/1,80	x
3	77036035184	SHIM D=8,9/1,84	x
3	77036035188	SHIM D=8,9/1,88	x
3	77036035192	SHIM D=8,9/1,92	x
3	77036035196	SHIM D=8,9/1,96	x
3	77036035200	SHIM D=8,9/2,00	x
3	77036035204	SHIM D=8,9/2,04	x
3	77036035208	SHIM D=8,9/2,08	x
3	77036035212	SHIM D=8,9/2,12	x
3	77036035216	SHIM D=8,9/2,16	x
3	77036035220	SHIM D=8,9/2,20	x
3	77036035224	SHIM D=8,9/2,24	x
3	77036035228	SHIM D=8,9/2,28	x
3	77036035232	SHIM D=8,9/2,32	x
3	77036035236	SHIM D=8,9/2,36	x
3	77036035240	SHIM D=8,9/2,40	x
3	77036035244	SHIM D=8,9/2,44	x
3	77036035248	SHIM D=8,9/2,48	x
3	77036035252	SHIM D=8,9/2,52	x
3	77036035256	SHIM D=8,9/2,56	x
3	77036035260	SHIM D=8,9/2,60	x
4	77236033000	VALVE COLLET	8
5	79236028144	VALVE SPRING KIT	2
6	77236027000	VALVE-STEM SEALING	4
7	77536030000	INTAKE VALVE	2
8	77536031000	EXHAUST VALVE	2
9	79236132000	VALVE SPRING PLATE	4
10	77736060000	VALVE LEVER	1
11	77736028000	VALVE SPRING NHK HUB 10MM	4
14	77736136000	VALVE SPRING HOLDER	4
99	79336030010	Valve kit 350 Enduro	1

167923610

54399

* NEW PART

X ON DEMAND



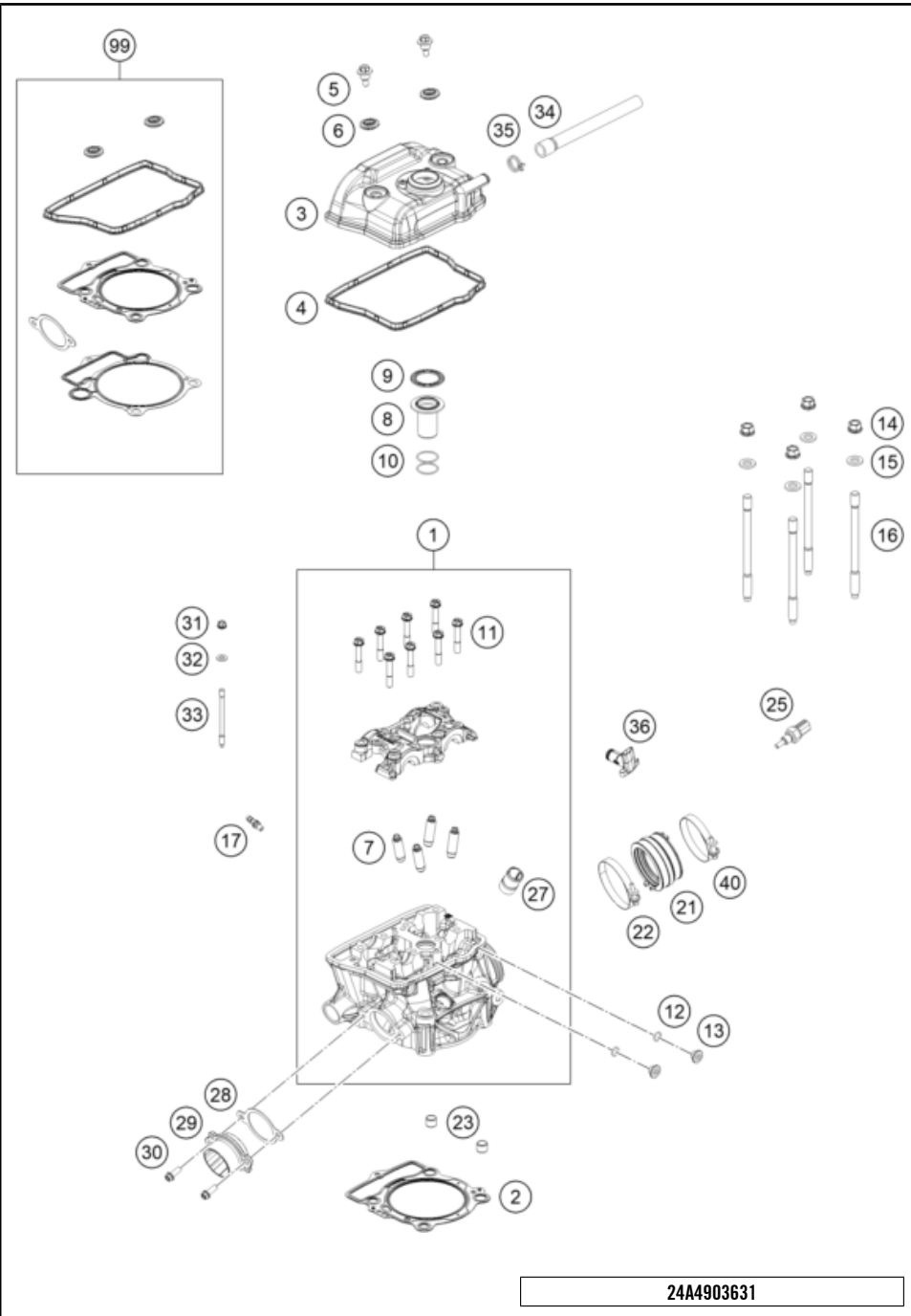
POS	PARTNUMBER		PIECE
1	A47036509000	Intake camshaft	1
2	A47036510044	Exhaust camshaft with decal	1
3	A47036004000	Slide bars	1
4	A47036001000	Slide bars	1
5	79236002000	TENSIONING RAIL	1
6	77236001160	BUSHING SCREW M6	2
7	77236002160	BUSHING SCREW M8	1
8	0770180020	o-ring 18.00x2.00 NBR70	1
9	77036003000	CHAIN ADJUSTER HYD. 05	1
10	0603242920	CU SEAL-RING DIN7603 A24X29X2	1
11	77336008000	HOLDING BOLT M24X1,5	1
12	0770010010	o-ring 10.00x1.00 NBR70	1
13	77236080100	threaded plug	1
14	A47036081000	Angle piece, engine breather	1
15	77236005000	SECURING PROTECTION	1
16	A47036013000	Timing chain	1
17	79236016000	DECO LEVER	1
18	0402061780	NEEDLE ROLLER	1
19	77336016055	DECO SPRING PIN L=10,6 07	1
20	77336017030	SPRING FOR AUTO DECOMPR.	1
21	77336017050	DECO SCREW PLUG	1

23A4603620

63992

* NEW PART

X ON DEMAND



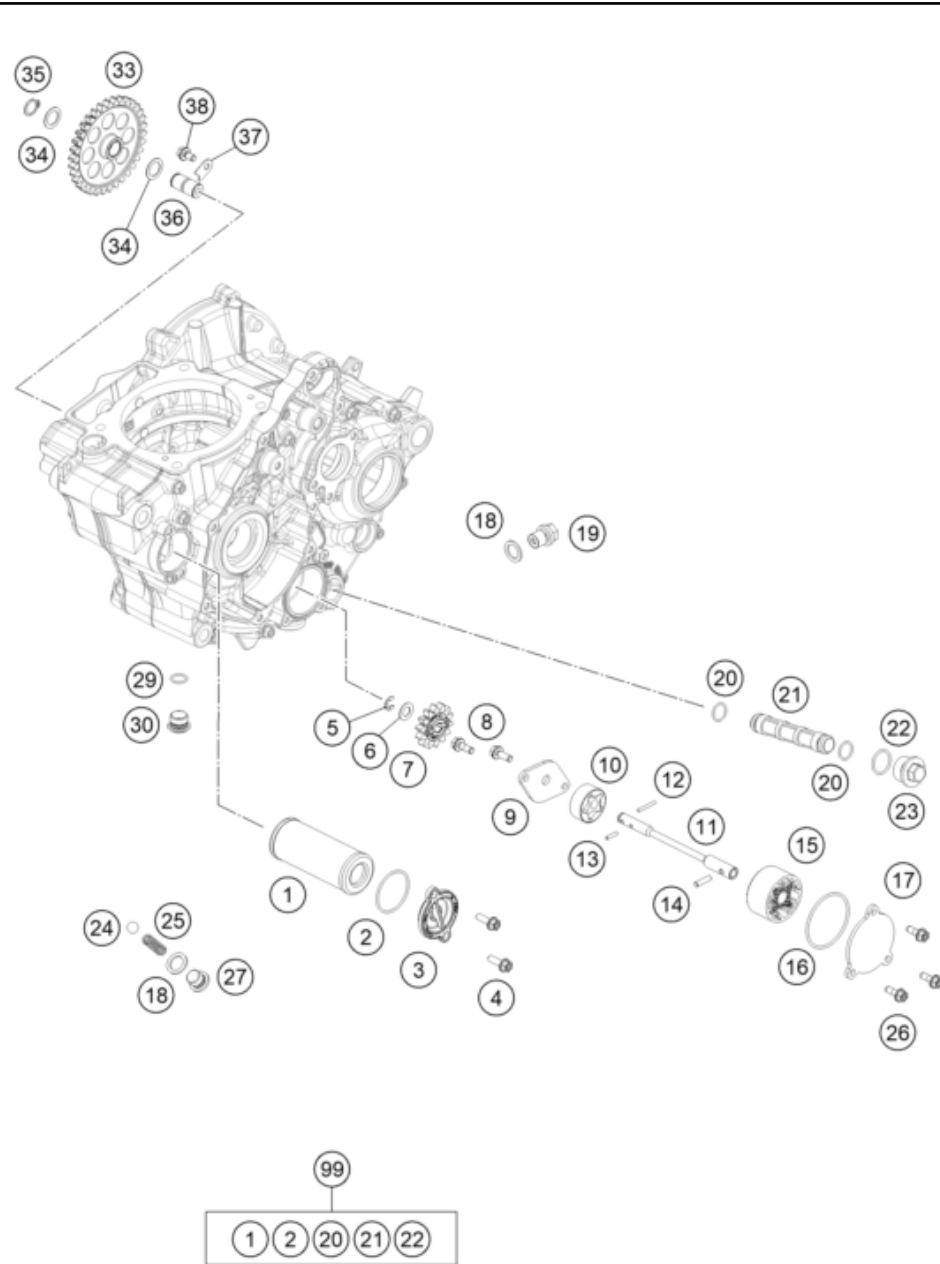
POS	PARTNUMBER		PIECE
1	A47036520144	Cylinder head cmpl.	1
2	79330036086	Cylinder head gasket	1
3	A47036052000C1	valve cover	1
4	A46036053000	Valve cover seal	1
5	77336054150	VALVE COVER SCREW	2
6	77036054150	RUBBER GASKET FOR SCREW	2
7	77136026001	VALVE GUIDE OUTLET	4
8	A46036075000	Spark plug shaft insert	1
9	77336053050	GASKET SPARK-PLUG SHAFT	1
10	07702300151	O-ring 23x1.5 Viton	2
11	0000150703800	Collar screw M7x1x38	8
12	0770090015	O-RING 9X1,5 NBR	2
13	77236080100	threaded plug	2
14	77336088210	COLLAR NUT M10X1,25 SW13	4
15	77336089010	washer 19x10.5x2.5	4
16	0900000814500	Stud M10x1,25	4
17	60036123000	Vacuum fitting M6	1
21	79536044000	rubber sleeve	1
22	61036047000	HOSE CLAMP GEMI 63MM 05	1
23	58530014100	dowl sleeve 10.2x12.5x10	2
25	79435047000	water temperature sensor	1
27	58030010200	SCREW IN NOZZLE M20X1,5	1
28	A46036041000	Exhaust pipe flange gasket	1
29	A46036039000	Engine flange	1
30	0025060166S	HH collar screw M6x16 TX30 SL	2
31	77336088106	COLLAR NUT M6X1 SW8	1
32	0125060003	WASHER DIN0125-A 6,4	1
33	0900000607900	Stud M6	1
34	A49030087000	Engine vent hose	1
35	58431082300	CLAMP YDNAC 10173 (18MM)	1
36	A47036081000	Angle piece, engine breather	1
40	77236048000	HOSE CLAMP GEMI 58MM	1
99	A47030097000	Gasketkit cylinder	x

24A4903631

63993

* NEW PART

X ON DEMAND



POS	PARTNUMBER		PIECE
1	77338005100	OIL FILTER	1
2	07703305178	O-RING 33,05X1,78	1
3	77338041200	OIL FILTER COVER 08	1
4	0025060166	HH collar screw M6x16 TX30	2
5	0799060000	TAB WASHER DIN6799-RS 6,0	1
6	58038007755	STOP DISK 8,1 X 15 X 0,5	1
7	77038001200	Oil pump gear	1
8	0025050146S	Hex coll. screw M5x14 ISA30 self-locking	2
9	A48038003000	Oil pump cover	1
10	59038011112	OILPUMP ROTOR-SET 12MM CPL.	1
11	79238002100	Oil pump shaft	1
12	0402251980	NEEDLEROL.DIN5402 NRA 2,5X19,8	1
13	0402251180	NEEDLE ROLLER DIN5402 2,5X11,8	1
14	0402041580	needle roller NRB 4x15.8 G2	1
15	61238011100	ROTOR SET 22MM	1
16	0770440020	O-RING 44,00X2,00 VITON	1
17	79238004000	OIL PUMP COVER LEFT	1
18	58038022000	CU-SEAL RING DIN7603-12X18X1,5	2
19	58030021100	oil drain plug with magnet	1
20	07701250151	O-RING 12,5X1,5 VITON V75	2
21	59038016200	Oil screen	1
22	0770020170	O-RING 17,17X1,78 GLO	1
23	59038017100	PLUG M20X1,5 WS=13	1
24	0401090003	BALL DIN5401-9	1
25	58038023300	PRESSURE SPRING L=25MM D=1MM	1
26	0025050146S	Hex coll. screw M5x14 ISA30 self-locking	3
27	78036081000	HOLDING BOLT M14X1,5	1
29	0770110015	O-RING 1,5x11 SILICON	1
30	78036081000	HOLDING BOLT M14X1,5	1
33	79238006300	Oil pump intermediate gear	1
34	0988121805	SHIM WASHER DIN0988-12X18X0,50	2
35	0471120010	retaining ring DIN 471 12x1	1
36	77038013100	BUSHING PIN	1
37	77238061050	AXIAL-CIRCLIP	1
38	0025050106S	Hex coll. screw M5x10 ISA30 self-locking	1
99	00050000083	OILFILTER-GASKET SET 350 SX-F	x

224603810

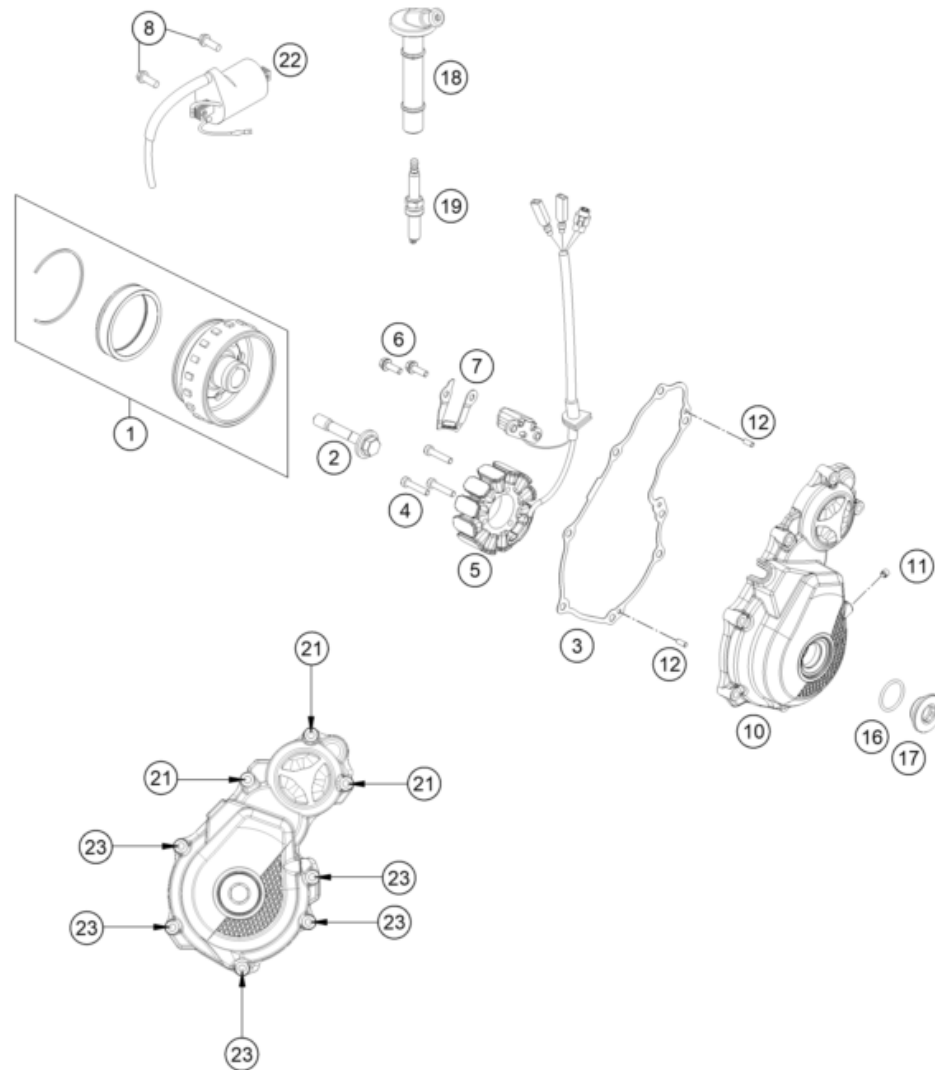
58314

* NEW PART

X ON DEMAND

IGNITION SYSTEM

Engine 350 EXC-F 2024 2024



POS	PARTNUMBER		PIECE
1	79239105144	Rotor cmpl.	1
2	77339010100	FLYWHEEL SCREW	1
3	A46030040000	Ignition cover gasket	1
4	0012050303S	Cap head screw DIN 6912 - M5x30 self loc	3
5	79239104100	Stator	1
6	0912050163S	Cap head screw DIN912 - M5x16 - 8.8	2
7	A46030502050	Cable retainer	1
8	0025060166	HH collar screw M6x16 TX30	2
10	A46030502000C1	Ignition cover	1
11	0913050063S	THREAD PIN DIN 913 M5X6	1
12	0402040980	NEEDLE ROL.DIN5402 NRB 4X9,8	2
16	0770024025	O-RING 24X2,5 NBR	1
17	7723000216030	SCREW PLUG M24X1,5	1
18	79139090000	Resistor Plug Cover	1
19	77839093000	spark plug	1
21	0025060306	HH collar screw M6x30 TX30	3
22	58439006000	IGNITIONCOIL IG3826 KOKUSAN'96	1
23	0025060406	HH collar screw M6x40 TX30	5

24A4903910

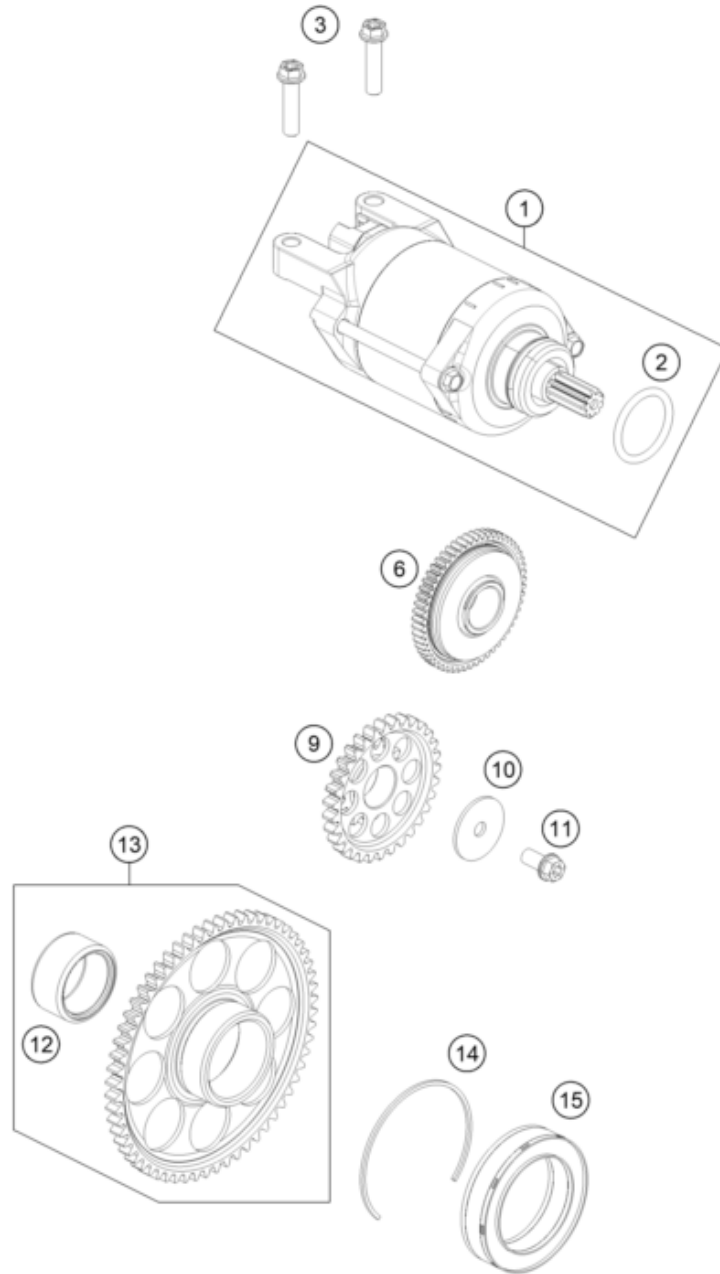
63924

* NEW PART

X ON DEMAND

ELECTRIC STARTER

Engine 350 EXC-F 2024 2024



POS	PARTNUMBER		PIECE
1	79240001000	E-STARTER ENGINE CPL.	1
2	0770250030	O-RING 25,00X3,00 NBR 70	1
3	0025060256	HH collar screw M6x25 TX30	2
6	79240016100	Torque limiter	1
9	79240022100	Intermediate starting gear	1
10	79240017000	STOP DISC 6X26X1,5	1
11	0025060126S	Hex collar screw M6x12 ISA30 self-lockin	1
12	0618253216	NEEDLE BUSH HK2516 25/32/16 02	1
13	79240020033	freewheel gear cpl.	1
14	0472057150	CIRCLIP DIN0472-57X1,50	1
15	79240026000	FREEWHEEL	1

224604010

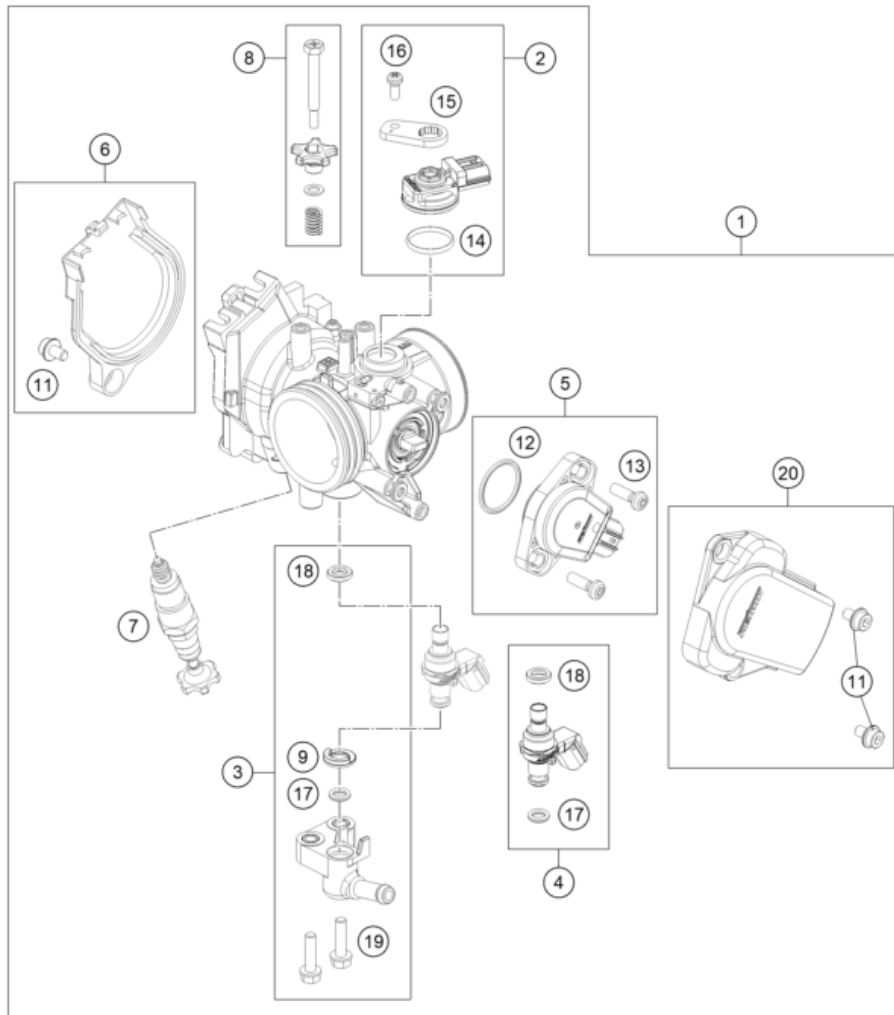
59480

* NEW PART

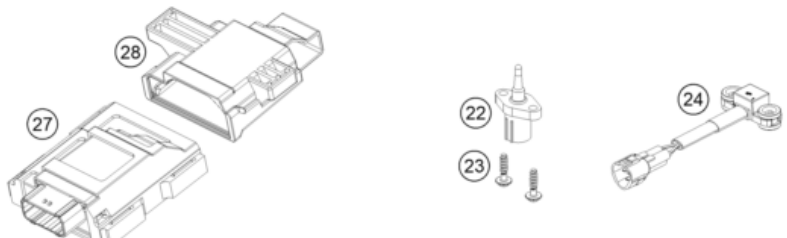
X ON DEMAND

THROTTLE BODY

Engine 350 EXC-F 2024 2024



POS	PARTNUMBER		PIECE
1	79741001000	throttle body	1
2	77741085044	MAP SENSOR CPL.	1
3	79041013044	FUEL PIPE CPL.	1
4	79041023144	Injector cml.	1
5	79041077044	TPS CPL.	1
6	79141056044	DKK Cover cpl.	1
7	79041070000	STARTER VALVE CPL.	1
8	77741060044	IDLING ADJUSTING SCREW CPL.	1
9	79041023030	SEAL RING	1
11	79041056020	SPECIAL SCREW	3
12	75041077110	O-RING	1
13	61041077020	SCREW THROTTLE POS. SENSOR	2
14	75041085010	O-RING	1
15	77741085020	PLATE	1
16	81241085030	SPECIAL SCREW	1
17	60341023020	O-RING	1
18	75041023010	SEAL RING	1
19	79041013060	SPECIAL SCREW M5X20	2
20	79141078044	TPS Cover cpl.	1
22	61041080000	AMBIENT-AIR TEMPERATURE SENSOR	1
23	0081050181	SCREW FOR PLASTIC K50X18 T20	2
24	A46041088000	Roll-over sensor	1
27	79641031000	ENGINE CONTROL UNIT EFI	1
28	A46041031050	ECU rubber strap	1



24A4904111

63967

* NEW PART X ON DEMAND

A large, empty rectangular box with a thin black border, occupying the majority of the page. It is intended for handwritten or typed notes.

A large, empty rectangular box with a thin black border, occupying the majority of the page. It is intended for handwritten or typed notes.

A large, empty rectangular box with a thin black border, occupying the majority of the page. It is intended for handwritten or typed notes.

KTM.COM



089360XEN

KTM Sportmotorcycle GmbH
5230 Mattighofen, Austria
www.ktm.com

KTM POWERPARTS

KTM POWERWEAR

KTM ORIGINAL SPARE PARTS



Art. Nr.: 089360XEN 25. Apr 2023