

Engine 450 EXC-F 2023

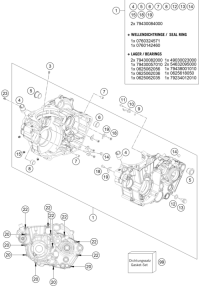
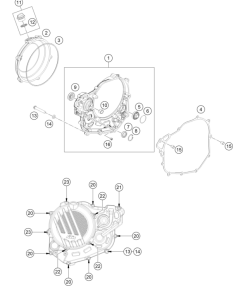
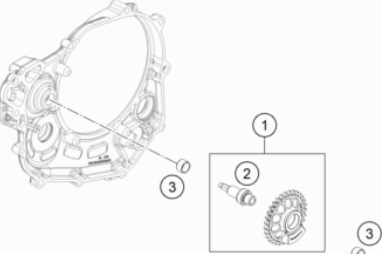
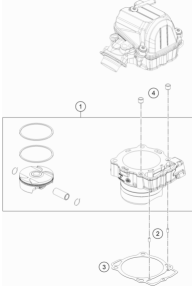
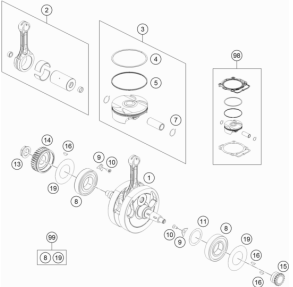
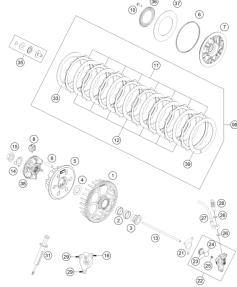
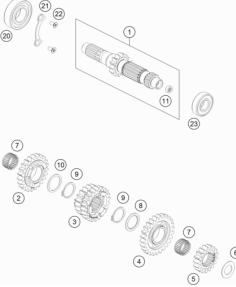

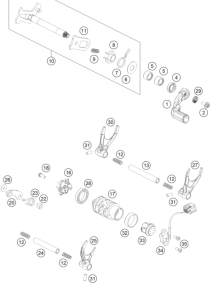
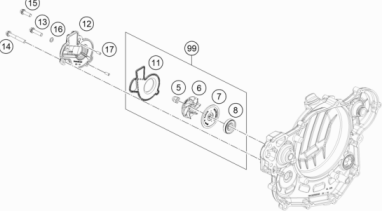
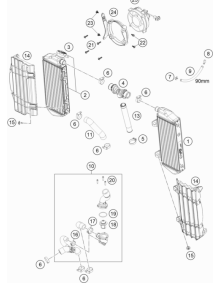
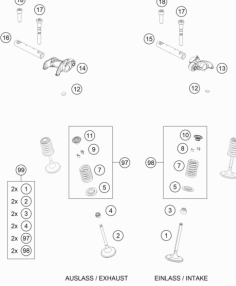
ART.-NR.: 089540WEN





All information contained is without obligation. KTM Sportmotorcycle GmbH particularly reserves the right to modify any equipment, technical specifications, prices, colors, shapes, materials, services, service work, constructions, equipment and the like so as to adapt them to local conditions or to cancel any of the above items, all without previous announcement and without giving reasons. KTM may stop manufacturing certain models without previous notice. KTM shall not be held liable for any deviations of availability and/or ability to deliver, illustrations, descriptions, printing and/or other errors. The illustrated models partly contain extra equipment, which is not applied to standard models.

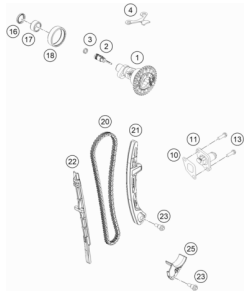
© by KTM Sportmotorcycle GmbH, Mattighofen AUSTRIA; All rights reserved; Reprint, also in extracts, with written allowance of KTM Sportmotorcycle GmbH, Mattighofen only.

<p>ENGINE CASE</p>  <p>3</p>	<p>CLUTCH COVER</p>  <p>4</p>	<p>BALANCER SHAFT</p>  <p>5</p>	<p>CYLINDER</p>  <p>6</p>
<p>CRANKSHAFT, PISTON</p>  <p>7</p>	<p>CLUTCH</p>  <p>8</p>	<p>TRANSMISSION I - MAIN SHAFT</p>  <p>9</p>	<p>TRANSMISSION II - COUNTERSHAFT</p>  <p>10</p>
<p>SHIFTING MECHANISM</p>  <p>11</p>	<p>WATER PUMP</p>  <p>12</p>	<p>COOLING SYSTEM</p>  <p>13</p>	<p>VALVE DRIVE</p>  <p>14</p>

CONTENT

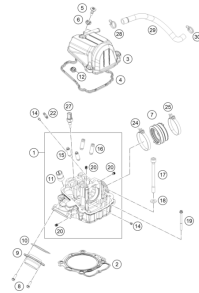
Engine 450 EXC-F 2023

TIMING DRIVE



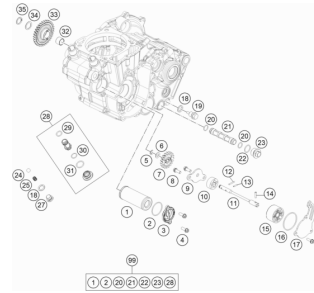
16

CYLINDER HEAD



17

LUBRICATING SYSTEM



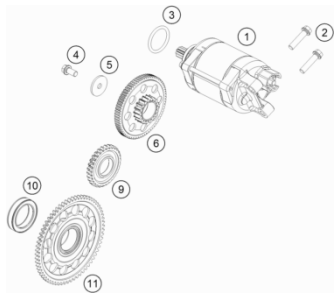
18

IGNITION SYSTEM



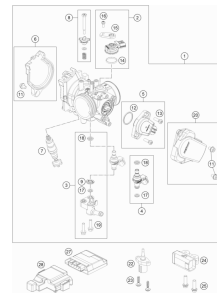
19

ELECTRIC STARTER

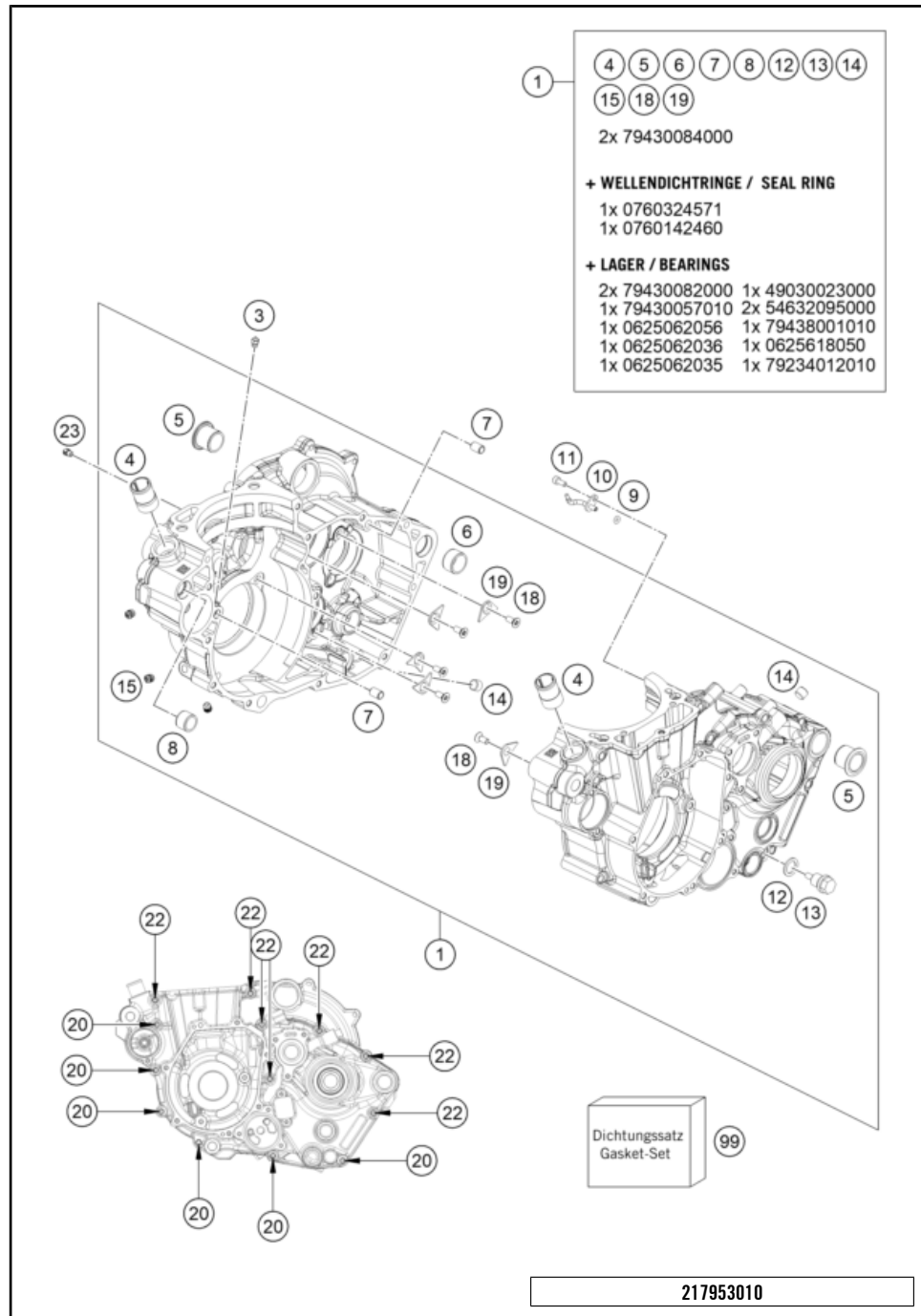


20

THROTTLE BODY



21



POS	PARTNUMBER	PARTNAME	PIECE
1	79430000344	Crankcase compl.	1
3	60030063070	oil jet 70 M5	1
4	58030010200	SCREW IN NOZZLE M20X1,5	2
5	79230010000	CASE BUSH	2
6	54830027100	Dowel, 21x12	1
7	59030023100	Dowel, 6x8x11.5	2
8	51030026100	DOWEL 17 X 13 X 12	1
9	0770035020	O-RING 3,5X2,00 NBR	1
10	81230064000	OIL JET ANGLED 70	1
11	0912040103S	Cylinder screw DIN 912-M4x10-8.8 SS	1
12	58038022000	CU-SEAL RING DIN7603-12X18X1,5	1
13	58030021100	oil drain plug with magnet	1
14	0906100100	pipe plug DIN 906 M10x1	2
15	59030296000	SCREW PLUG	3
18	0019050121S	INT. TORX FLAT HEAD M5X12 T25	5
19	75030085000	RETAINING PLATE F. CS BEARING	5
20	0025060606	HH collar screw M6x60 TX30	6
22	0025060806	HH COLLAR SCREW M6X80 TX30	7
23	60030063050	oil jet 50 M5	1
99	79430099000	GASKET SET 450 SX-F	x

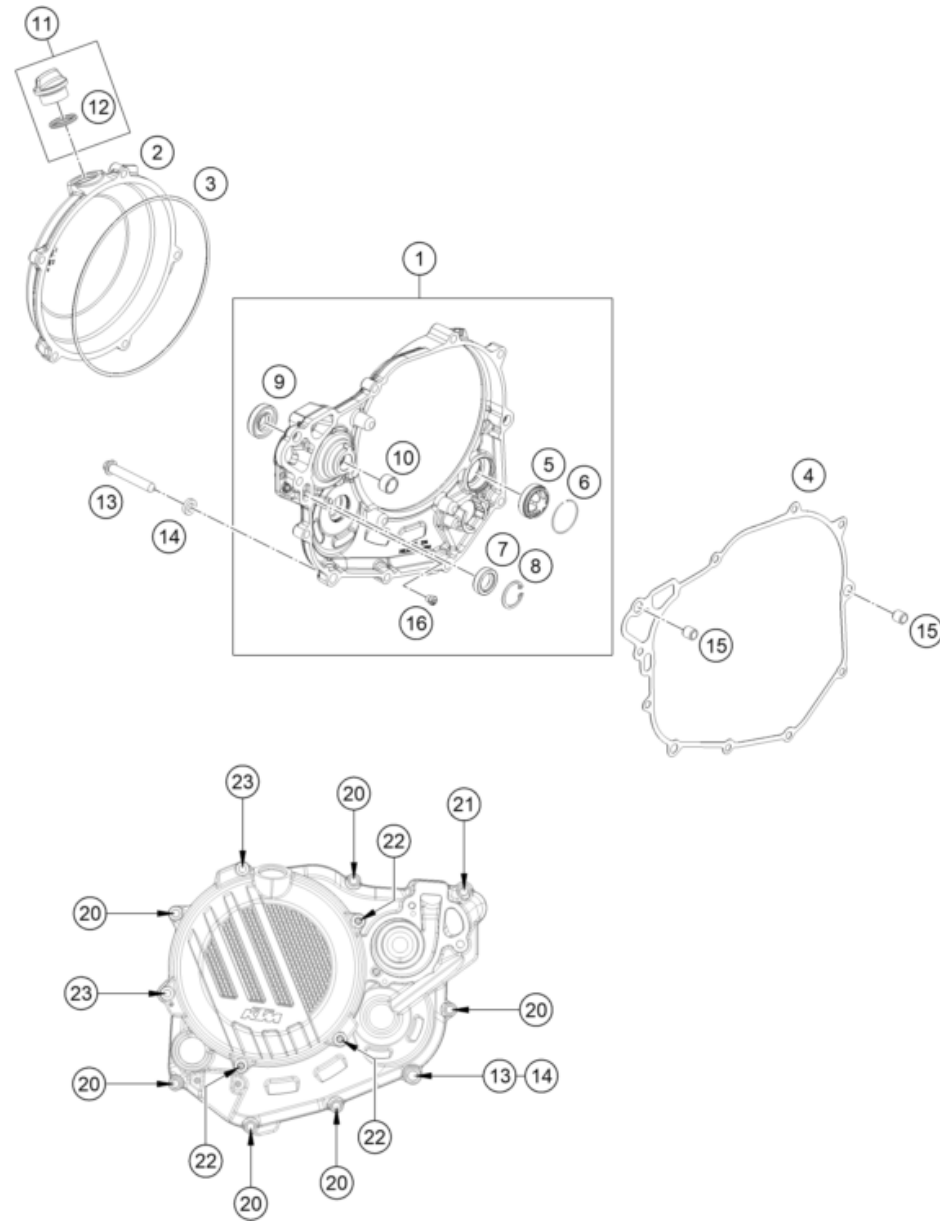
54222

* NEW PART

X ON DEMAND

CLUTCH COVER

Engine 450 EXC-F 2023



POS	PARTNUMBER	PARTNAME	PIECE
1	79430001044	CLUTCH COVER CPL.	1
2	7953052600015	Outer clutch cover	1
3	78130027000	GASKET - CLUTCH OUTER COVER	1
4	79430025000	INNER CLUTCH COVER GASKET	1
5	59030019200	OIL SIGHT GLASS	1
6	61030019050	CIRCLIP OIL LEVEL GLASS 03	1
7	0760142460	radial shaft seal 14x24x6 B	1
8	0472024120	CIRCLIP DIN0472-24X1.2	1
9	0760123073	SHAFT SEAL RING 12X30X7 PTFE	1
10	79430057010	FRICTION BEAR. BUSH BALANC.SH.	1
11	79430020033	OIL FILLER CAP M24x3 WITH O-R	1
12	0770191015	O-RING 19,00X3,00 NBR	1
13	78030080000	LOCATING SCREW	1
14	58030081000	CU-SEAL RING 8 X 14 X 3	1
15	49030090000	DOWEL 9,8 X 7 X 10	2
16	57031523145	MAIN JET 145	1
20	0025060256	HH collar screw M6x25 TX30	6
21	0025060306	HH collar screw M6x30 TX30	1
22	0025060206	HH collar screw M6x20 TX30	3
23	0025060506	HH collar screw M6x50 TX30	2

207953020

52333

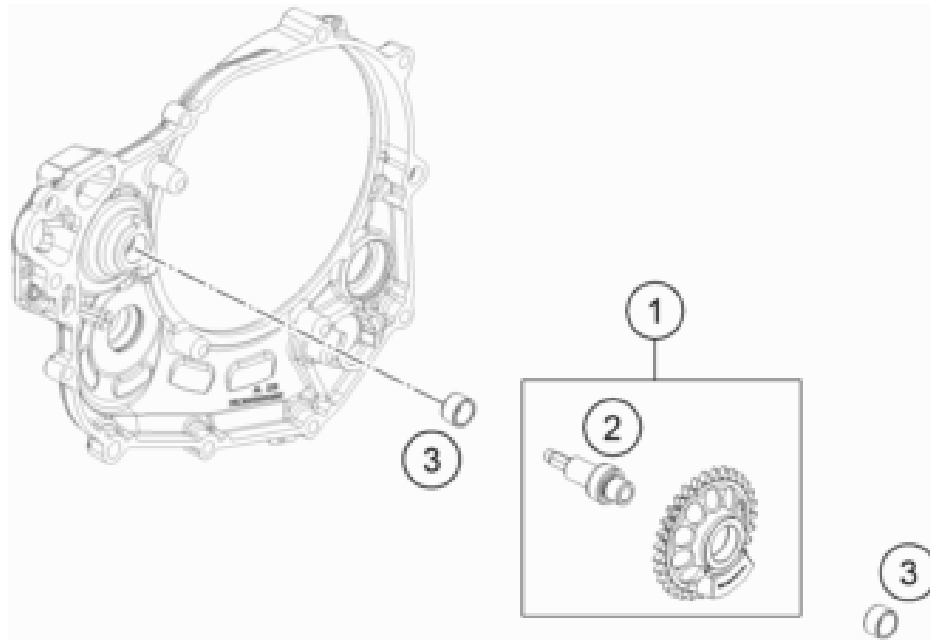
* NEW PART

X ON DEMAND

BALANCER SHAFT

Engine 450 EXC-F 2023

POS	PARTNUMBER	PARTNAME	PIECE
1	79430057100	Balance shaft cpl.	1
2	79430057101	Balancer shaft	1
3	79430057010	FRICION BEAR. BUSH BALANC.SH.	2

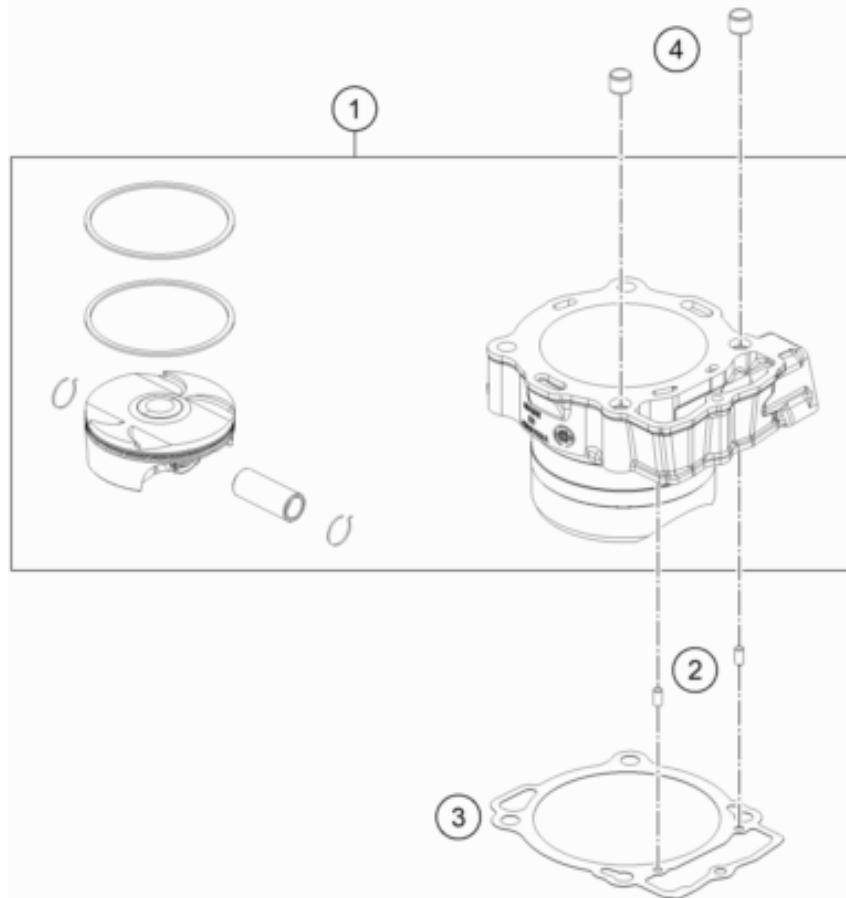
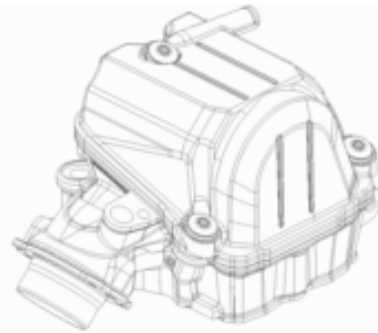


207953030

52338

* NEW PART

X ON DEMAND



POS	PARTNUMBER	PARTNAME	PIECE
1	79530638100	Cylinder + Piston cpl.	1
2	0402050980	needle roller DIN 5402 5x9.8	2
3	79430035000	CYLINDER BASE GASKET	1
4	58530014100	dowl sleeve 10.2x12.5x10	2

207953040

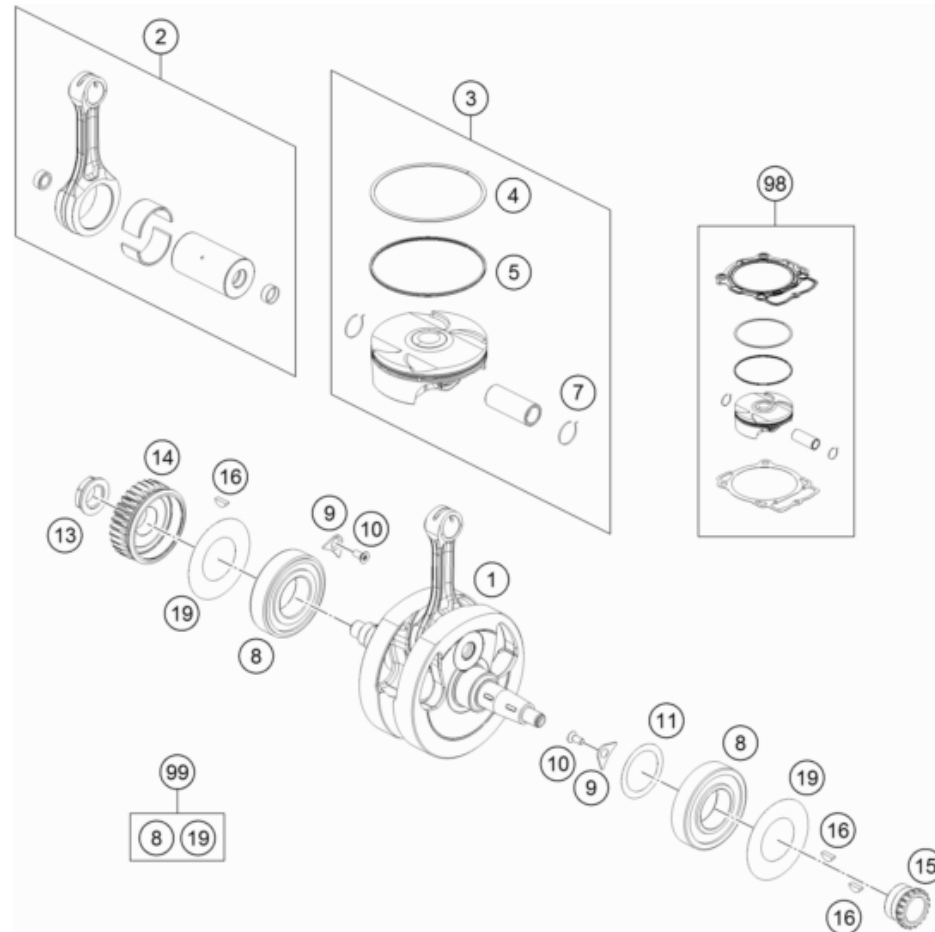
56992

* NEW PART

X ON DEMAND

CRANKSHAFT, PISTON

Engine 450 EXC-F 2023



POS	PARTNUMBER	PARTNAME	PIECE
1	79430518200	Crankshaft assy	1
2	79430015144	CONROD REPAIR KIT	1
3	79530607100 I	piston I cpl. D95mm	1
3	79530607100 II	piston II cpl. D95mm	1
4	79430130000	COMPRESSION RING	1
5	79430132000	Oil scraper ring	1
7	79430174000	CIRCLIP	2
8	79430082000	CYLINDER ROLLER BEARING NJ207	2
9	75030085000	RETAINING PLATE F. CS BEARING	2
10	0019050121S	INT. TORX FLAT HEAD M5X12 T25	2
11	56530081000	SHIM WASHER 36X48X0,10	x
11	56530081100	SHIM WASHER 36X48X0,15	x
11	56530081200	SHIM WASHER 36X48X0,20 STEEL	x
11	56530081300	SHIM WASHER 36X48X0,30	x
13	78030029200	NUT PRIMARY WHEEL M20X1,5	1
14	79432023231	primary gear 31t	1
15	78036014300	Timing gear	1
16	0888030037	WOODRUFF KEY DIN6888-3X3,7	3
19	79430084000	BEARING SEAL	2
98	79530607110 I	Piston kit size I 450 Enduro	x
98	79530607110 II	Piston kit size II 450 Enduro	x
99	00050002315	CRANKSHAFT REP.KIT 450 SX-F 15	x

177963062

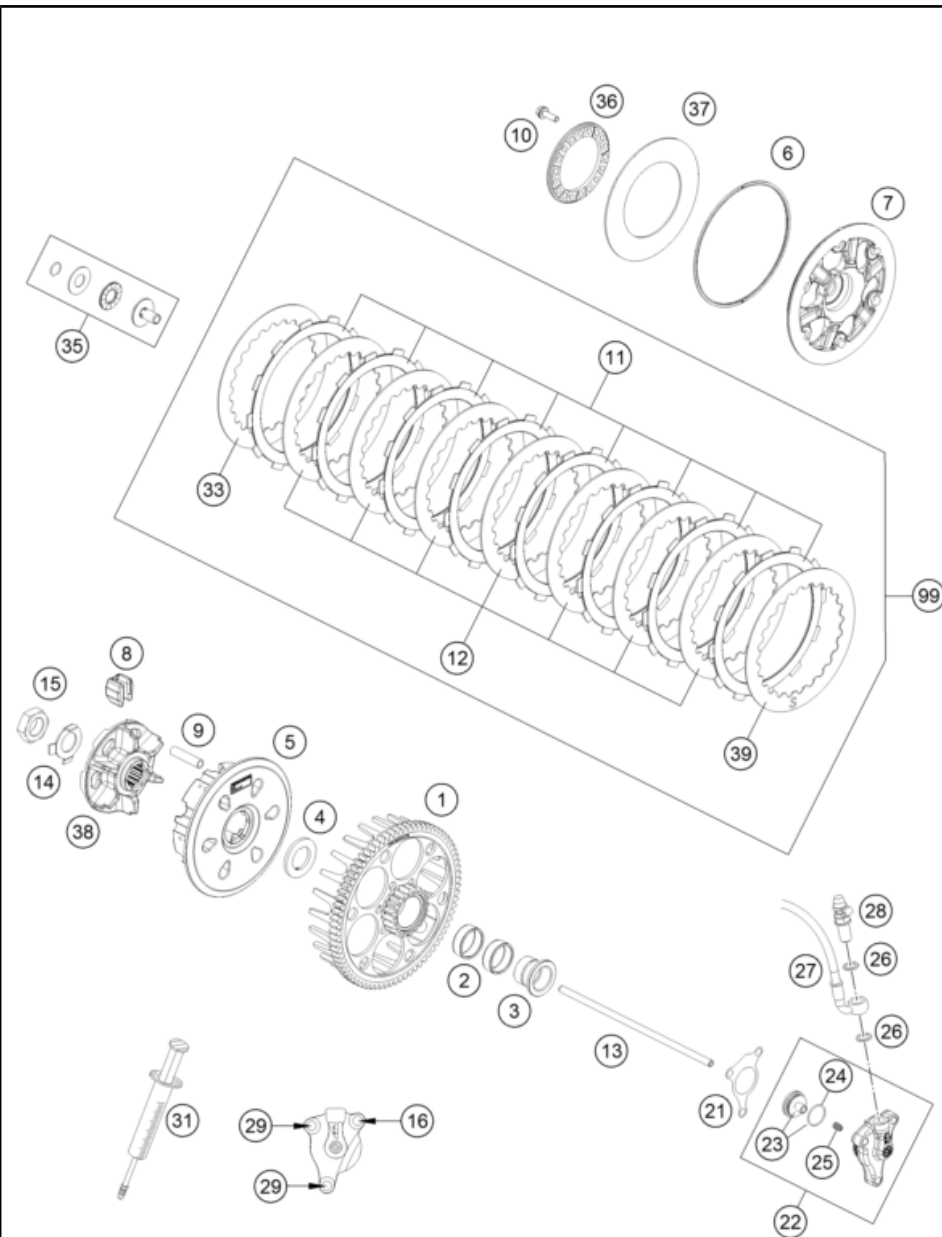
56990

* NEW PART

X ON DEMAND

CLUTCH

Engine 450 EXC-F 2023



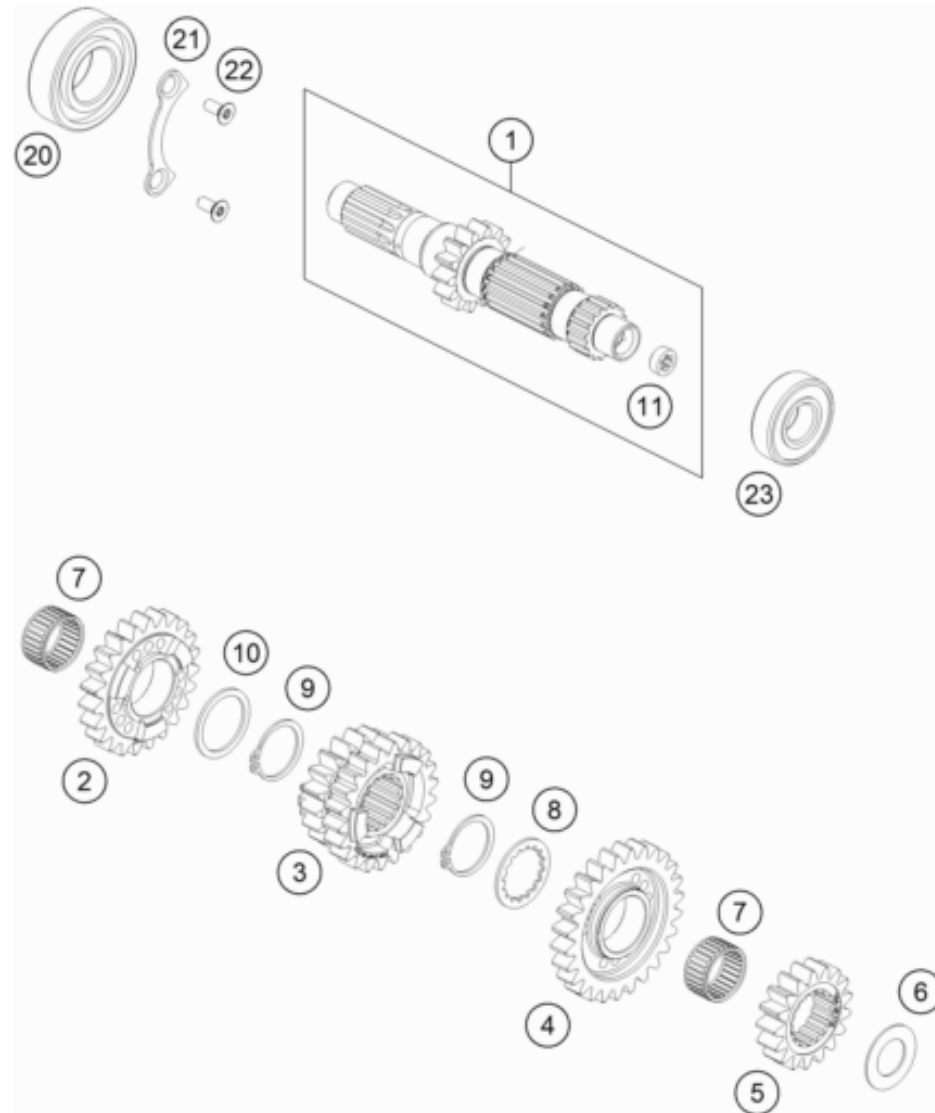
POS	PARTNUMBER	PARTNAME	PIECE
1	79432101076	Clutch basket	1
2	0405252910	NEEDLE BEAR K 25X29X10	2
3	78132015100	COLLARSLEEVE	1
4	78932009000	WASHER 22 X 36,5 X 3	1
5	78132002400	Inner clutch hub	1
6	78132013000	WASHER 112X118X1.5	1
7	79432003100	Clutch pressure plate	1
8	78132025100	DAMPING RUBBER	6
9	77232004000	DRIVING SLEEVE D=7,95 L=38	6
10	0025050166	HH collar screw M5x16 TX30	6
11	79532011000	Lining disc 1,95mm	8
12	59032010200	INTERMEDIATE DISC 1,4MM 2002	7
13	79432054000	PUSH ROD	1
14	78132018000	TAB WASHER	1
15	0936181505	HEXAGON NUT DIN0936-M18X1,5 R.	1
16	0025060306	HH collar screw M6x30 TX30	1
21	59032065000	GASKET FOR SLAVE CYLINDER	1
22	54832061044	OUTPUT CYLINDER CPL. 06	1
23	54832066000	PISTON CPL.	1
24	54832067000	O-RING	1
25	54832069000	PRESSURE SPRING	1
26	0603100141	sealing ring DIN 7603 10x14x1	2
27	78132063000	CLUTCH PIPE	1
28	62513020000	BLEEDER SCREW CPL. 05	1
29	0025060206	HH collar screw M6x20 TX30	2
31	50329050000	VENT INJEKTION HYDR. CLUTCH	1
33	59032010100	INTERMEDIATE DISC 1MM 2002	1
35	78132057144	PRESSURE PIECE CPL.	1
36	78132006200	Spring retainer	1
37	78132005000	BELLEVILLE SPRING 71X115X1,5 I	1
38	78132002211	Clutch center	1
39	78932010000	INTERMEDIATE DISC 1MM	1
99	79532010033	CLUTCH DISC PACKAGE	1

157893210

56994

* NEW PART

X ON DEMAND



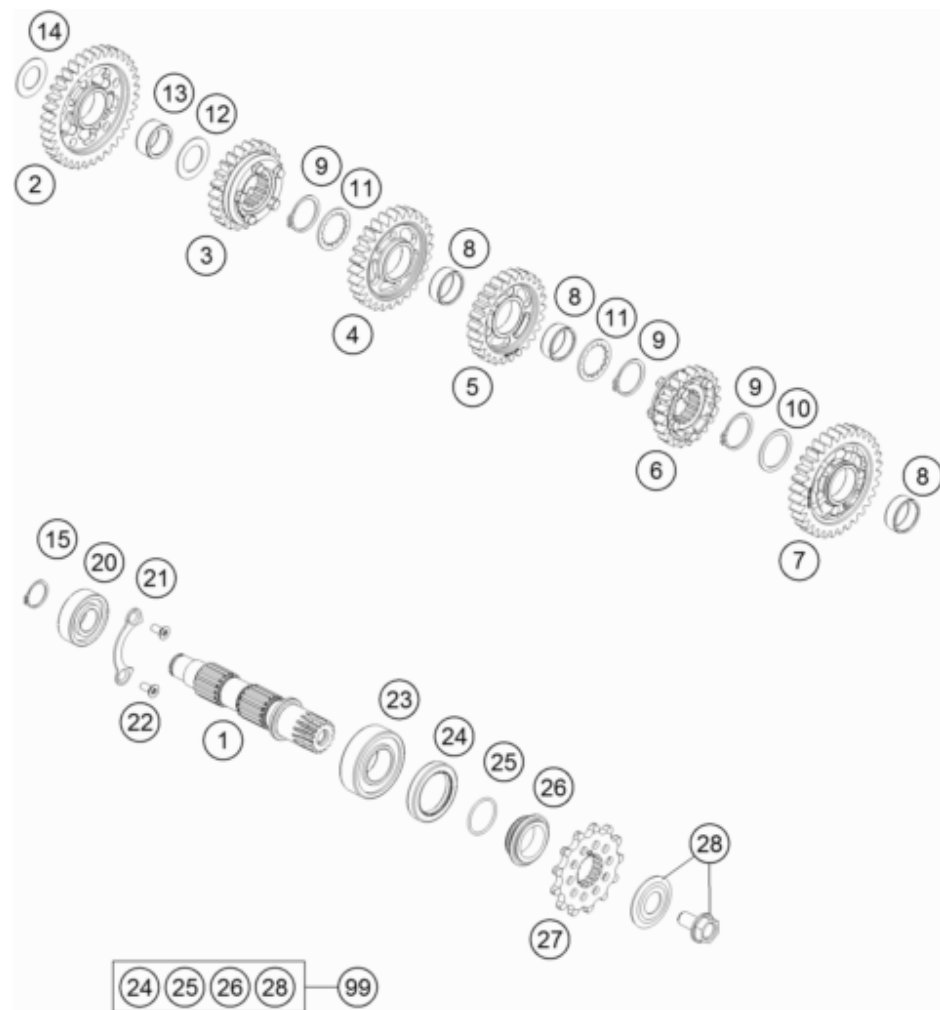
POS	PARTNUMBER	PARTNAME	PIECE
1	79533501000	input shaft	1
2	79533505000	idler gear 5 th.	1
3	79533503000	sliding gear 3./4.	1
4	79533506000	idler gear 6 th.	1
5	79533502000	fixed gear 2 nd	1
6	56033030000	STOP DISK 17,2X30X1	1
7	0405222613	NEEDLE BEAR. K 22X26X13 TN	2
8	78033033000	STOP DISK 23 X 32 X 1,5	1
9	0471250120	CIRCLIP DIN0471-25X1,2	2
10	78033031000	STOP DISK 26 X 32 X 1,5	1
11	79133001010	bushing	1
20	0625062056	Groove ball bearing 6205 C4 NTN	1
21	78033032000	TAB WASHER BEARING MAIN SHAFT	1
22	0019050121S	INT. TORX FLAT HEAD M5X12 T25	2
23	0625062036	BALL BEARING 6203 RSH C3	1

177963330

59872

* NEW PART

X ON DEMAND



POS	PARTNUMBER	PARTNAME	PIECE
1	79533510000	output shaft	1
2	79533511000	idler gear 1st	1
3	79533515000	sliding gear 5 th.	1
4	79533513000	idler gear 3.	1
5	79533014000	idler gear 4 th.	1
6	79533516000	sliding gear 6 th.	1
7	79533512000	idler gear 2 nd.	1
8	0405222611	NEEDLE BEAR.K 22X26X10 DIVIDED	3
9	0471250120	CIRCLIP DIN0471-25X1,2	3
10	78033031000	STOP DISK 26 X 32 X 1,5	1
11	78033033000	STOP DISK 23 X 32 X 1,5	2
12	59033080000	SHIM 20X32X1	1
13	0405202612	NEEDLE BEARING K 20X26X12	1
14	56033030000	STOP DISC 17,2X30X1	1
15	0471170015	CIRCLIP DIN 0471-17X1, 5	1
20	0625062035	BALL BEARING 6203 JR2 C3	1
21	78033132000	TAB WASHER BEARING COUNT.SHAFT	1
22	0019050121S	INT. TORX FLAT HEAD M5X12 T25	2
23	49030023000	cylindrical roller bearing NJ205	1
24	0760324571	SHAFT SEAL RING 32X45X7 BSLNBR	1
25	0770020220	O-RING 25,12X1,78 NBR70	1
26	78133014000	SPACER SLEEVE COUNTER	1
27	79233129014	ENGINE SPROCKET 14Z	1
28	59033034044	SCREW 10.9+SPRING WASHER	1
99	00050000941	COUNTER SHAFT REP.KIT 4 STROKE	x

177963362

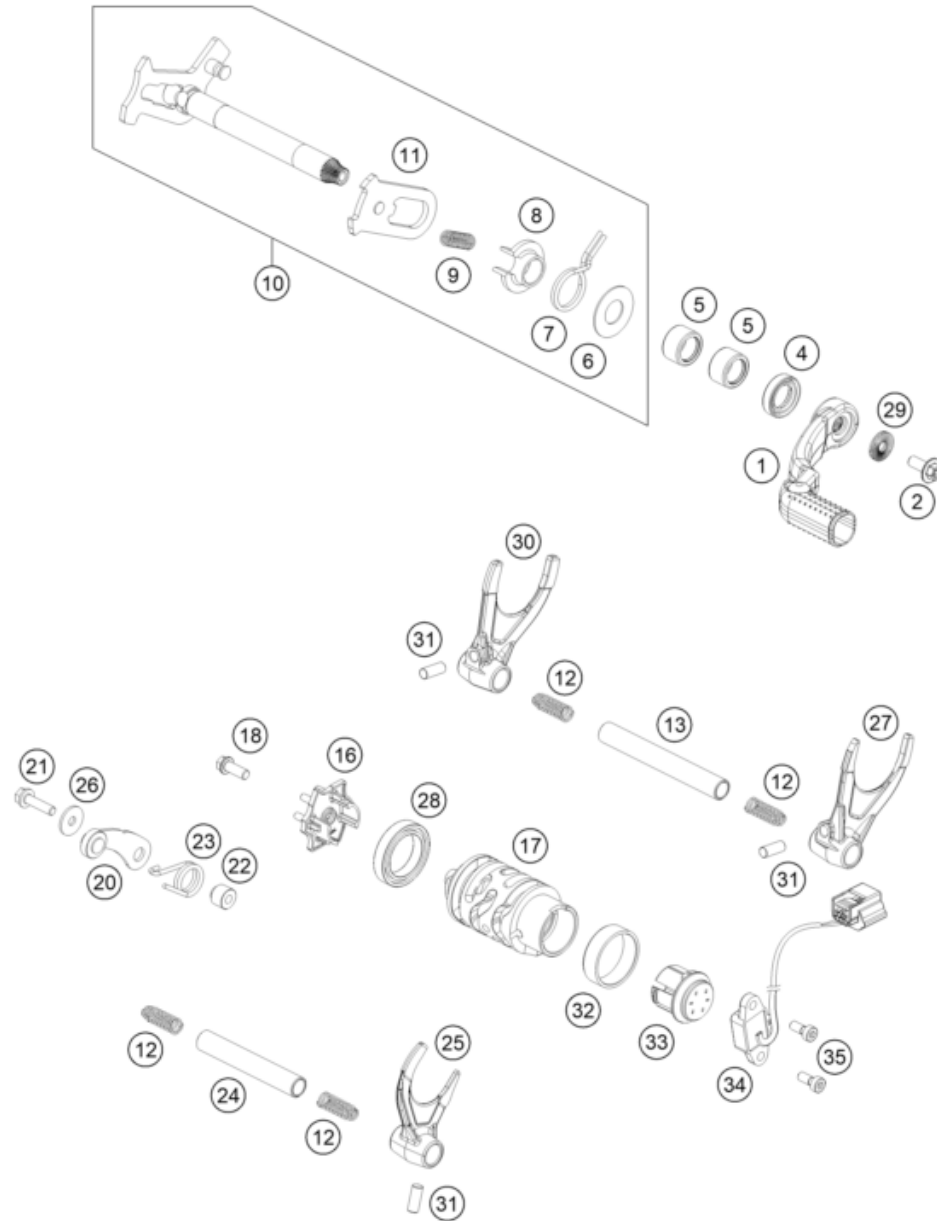
59873

* NEW PART

X ON DEMAND

SHIFTING MECHANISM

Engine 450 EXC-F 2023



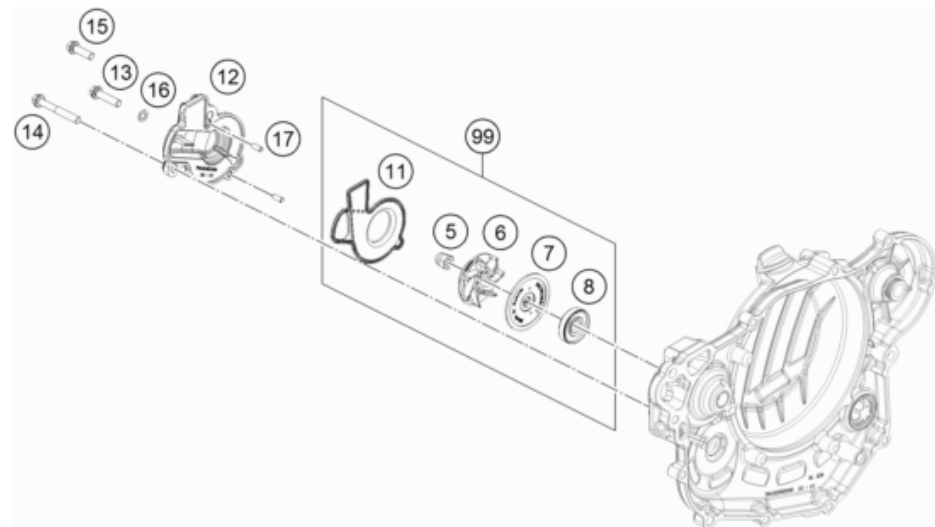
POS	PARTNUMBER	PARTNAME	PIECE
1	79434031100	SHIFT LEVER CPL.	1
2	0024060156S	HH collar screw M6x15 TX30	1
4	0760142460	radial shaft seal 14x24x6 B	1
5	54632095000	needle sleeve HK 1412 14x20x12	2
6	54634050000	STOP DISK 14X30X1	1
7	54634014100	RETURN SPRING 2,2MM '95	1
8	54634020000	SPRING GUIDE	1
9	56534013100	TENSIONING SPRING 0,8MM	1
10	79434005233	Shift shaft cpl. rdy-to-inst	1
11	79234008144	SLIDING PLATE CPL.	1
12	58038023400	Compression spring L=25mm D=0.9mm	4
13	79434020000	GEAR SHIFT RAIL 11,8X91,1MM	1
16	79434115000	shift drum locating	1
17	79434512300	Selector drum 6 gear	1
18	0012060303S	Cap head screw M6x30-8.8	1
20	78134024044	LOCKING LEVER CPL.	1
21	0025050256S	HH collar screw M5x25 TX30	1
22	54634052300	SLEEVE FOR LOCKING LEVER	1
23	60034023000	ARRESTING LEVER SPRING 03	1
24	79434019000	GEAR SHIFT RAIL 11,8X74,5MM	1
25	79434001100	SHIFTING FORK 5TH-6TH GEAR	1
26	0021050003	washer DIN 9021 A - 5.3	1
27	79434002100	SHIFTING FORK 2ND-4TH GEAR	1
28	0625618050	BALL BEARING 61805 C3	1
29	50233041500	PAIR NORDLOCK WASHER M6	1
30	79434003100	SHIFTING FORK 1ST-3RD GEAR	1
31	0402061480	NEEDLE ROLLER DIN5402 6X14,8	3
32	79234012010	FRICTION BEARING CONTROLLER	1
33	79234012020	magnet holder cpl.	1
34	79211023000	gear position sensor	1
35	0984050123S	CYLIND. SCR. DIN6912 M5X12 8.8	2

237953410

59697

* NEW PART

X ON DEMAND



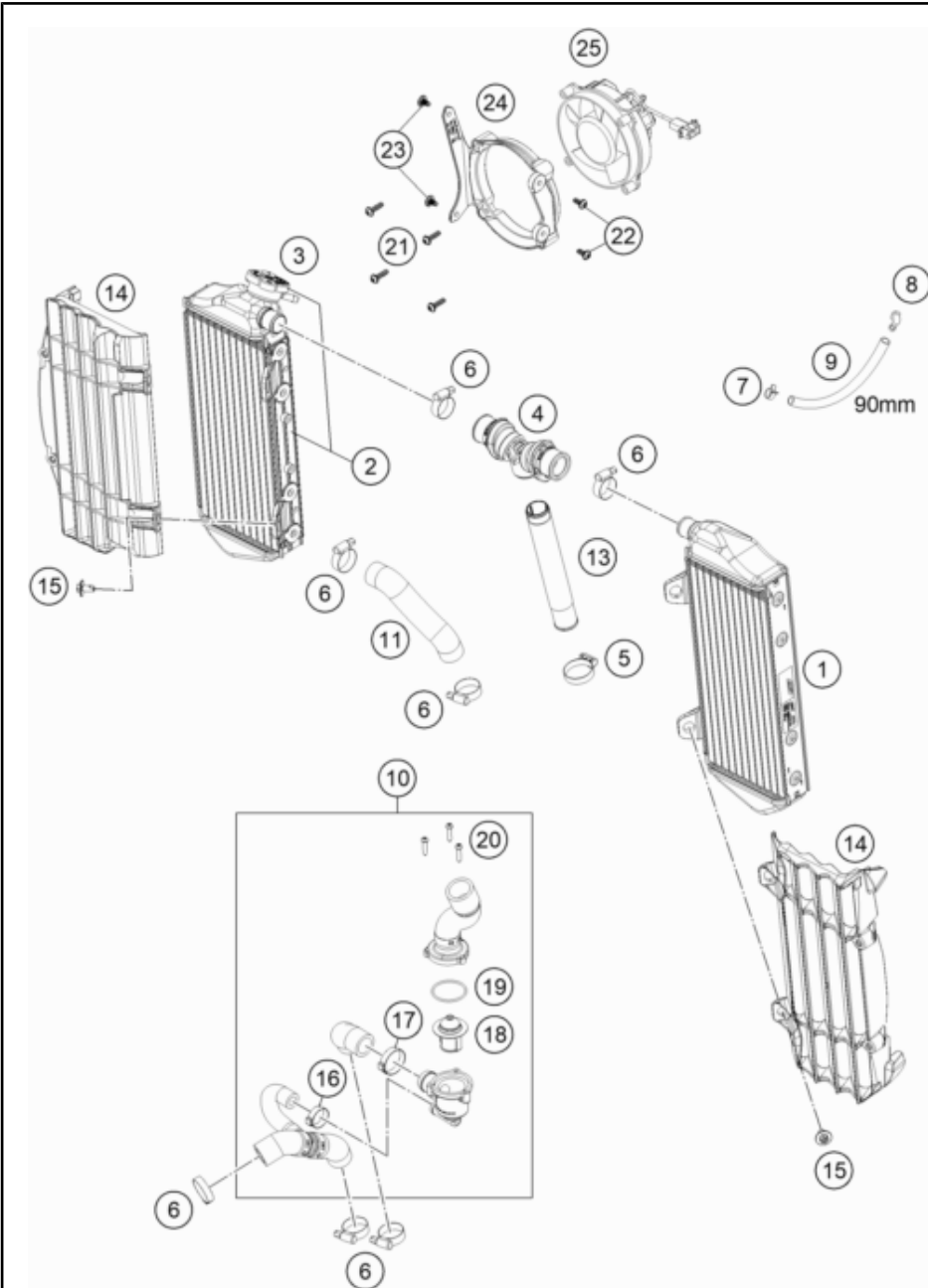
POS	PARTNUMBER	PARTNAME	PIECE
5	61230045000	CAP NUT M6 STAINLESS STEEL	1
6	81235055020	WATER PUMP ROTOR	1
7	81235055110	DISC WATER PUMP	1
8	0760123073	SHAFT SEAL RING 12X30X7 PTFE	1
11	79435053000	SEAL WITH CARRIER PLATE	1
12	79435052000	WATER PUMP COVER	1
13	0025060256	HH collar screw M6x25 TX30	1
14	0025060456	HH COLLAR SCREW M6X45 TX30	1
15	0025060206	HH collar screw M6x20 TX30	1
16	0603061001	CU-SEAL RING DIN7603-6X10X1	1
17	0402040980	NEEDLE ROL.DIN5402 NRB 4X9,8	2
99	79435055015	WATER PUMP REP. KIT	x

177963511

18321

* NEW PART

X ON DEMAND



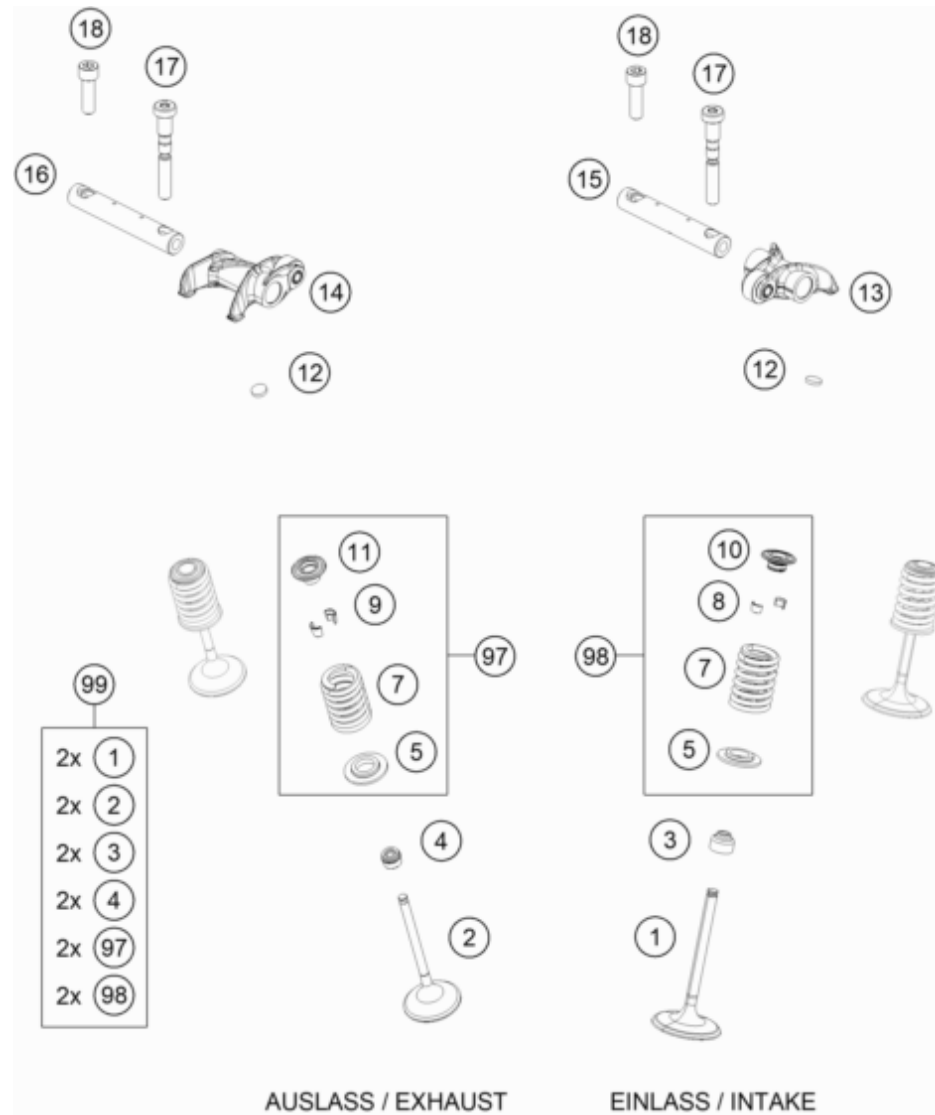
POS	PARTNUMBER	PARTNAME	PIECE
1	50535007100	Radiator, left 19	1
2	79535008100	Radiator right	1
3	79035016000	RADIATOR CAP 1,8 BAR	1
4	79135071044	Y-hose cpl.	1
5	0310000903200	Hose clip 20-32	1
6	0310000902900	Hose clip 18-29	7
7	59007017000	CLAMP YDNAC 10096F (9,6MM)	1
8	50303089000	ANGLE PIECE '97	1
9	50335030001	PVC-HOSE 6X9	x
10	79735026033	prefomed hose w. therm.	1
11	79535027000	water hose right	1
13	79135073000	threaded bushing	1
14	7913503400030	radiator protector le/ri black	2
15	0024060123	COLLAR SCREW M6X12 TX	4
16	00050210706	VARIABLE ONE-EAR CLAMP 21,0MM	2
17	00050271708	VARIABLE ONE-EAR CLAMP 27,1MM	1
18	59435017000	THERMOSTAT 70 DEGREE 04	1
19	0770320020	O-RING 32,00X2,00	1
20	0016040183	SCREW FOR PLASTIC D=4X18	3
21	0081050181	SCREW FOR PLASTIC K50X18 T20	4
22	0081050121	EJOT PT screw K50x12	2
23	0080150100	EJOT SHEETTRACS SCREW 50X10	2
24	79735943000	Radiator fan support	1
25	58435041000	FAN CPL. 12V LC4 2000	1

207953530

52414

* NEW PART

X ON DEMAND



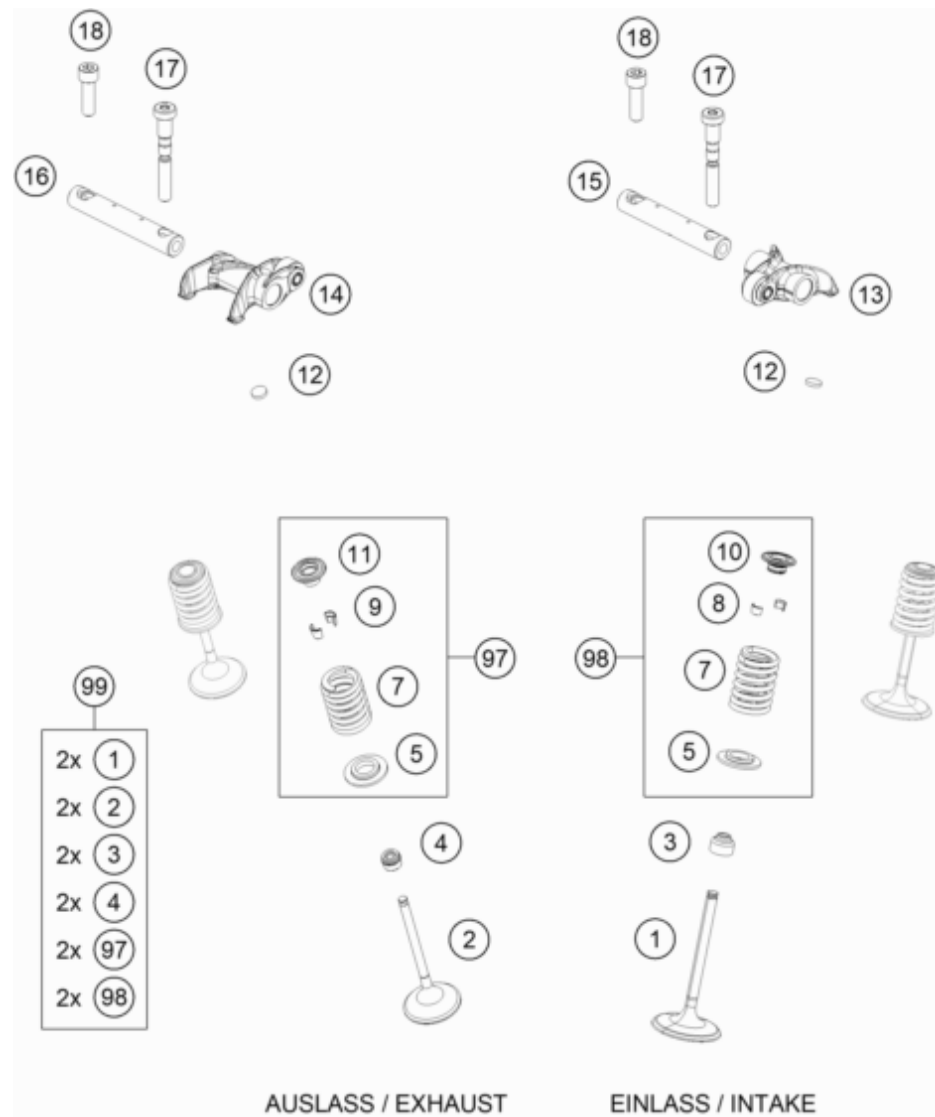
POS	PARTNUMBER	PARTNAME	PIECE
1	79536030000	Inlet valve	2
2	79536531000	Exhaust valve	2
3	59036027000	VALVE-STEM SEALING RACING	2
4	77036027000	VALVE-STEM SEALING 05	2
5	79536036000	VALVE SPRING SUPPORT	4
7	78936028000	VALVE SPRING	4
8	77336033100	VALVE COLLET 07	4
9	77036033000	valve collet	4
10	79536032000	Valve spring retainer	2
11	79536532000	Valve spring retainer	2
12	77036035172	SHIM D=8,9/1,72	x
12	77036035176	SHIM D=8,9/1,76	x
12	77036035180	SHIM D=8,9/1,80	x
12	77036035184	SHIM D=8,9/1,84	x
12	77036035188	SHIM D=8,9/1,88	x
12	77036035192	SHIM D=8,9/1,92	x
12	77036035196	SHIM D=8,9/1,96	x
12	77036035200	SHIM D=8,9/2,00	x
12	77036035204	SHIM D=8,9/2,04	x
12	77036035208	SHIM D=8,9/2,08	x
12	77036035212	SHIM D=8,9/2,12	x
12	77036035216	SHIM D=8,9/2,16	x
12	77036035220	SHIM D=8,9/2,20	x
12	77036035224	SHIM D=8,9/2,24	x
12	77036035228	SHIM D=8,9/2,28	x
12	77036035232	SHIM D=8,9/2,32	x
12	77036035236	SHIM D=8,9/2,36	x
12	77036035240	SHIM D=8,9/2,40	x
12	77036035244	SHIM D=8,9/2,44	x
12	77036035248	SHIM D=8,9/2,48	x
12	77036035252	SHIM D=8,9/2,52	x
12	77036035256	SHIM D=8,9/2,56	x
12	77036035260	SHIM D=8,9/2,60	x
13	79536560244	Rocker arm intake system cpl.	1
14	79536061144	Rocker arm outtake	1
15	79536056000	Rocker Arm Shaft Intake	1
16	79536057000	exhaust rocker arm shaft	1
17	79536084000	rocker arm shaft bolt	2

207953610

52390

* NEW PART

X ON DEMAND



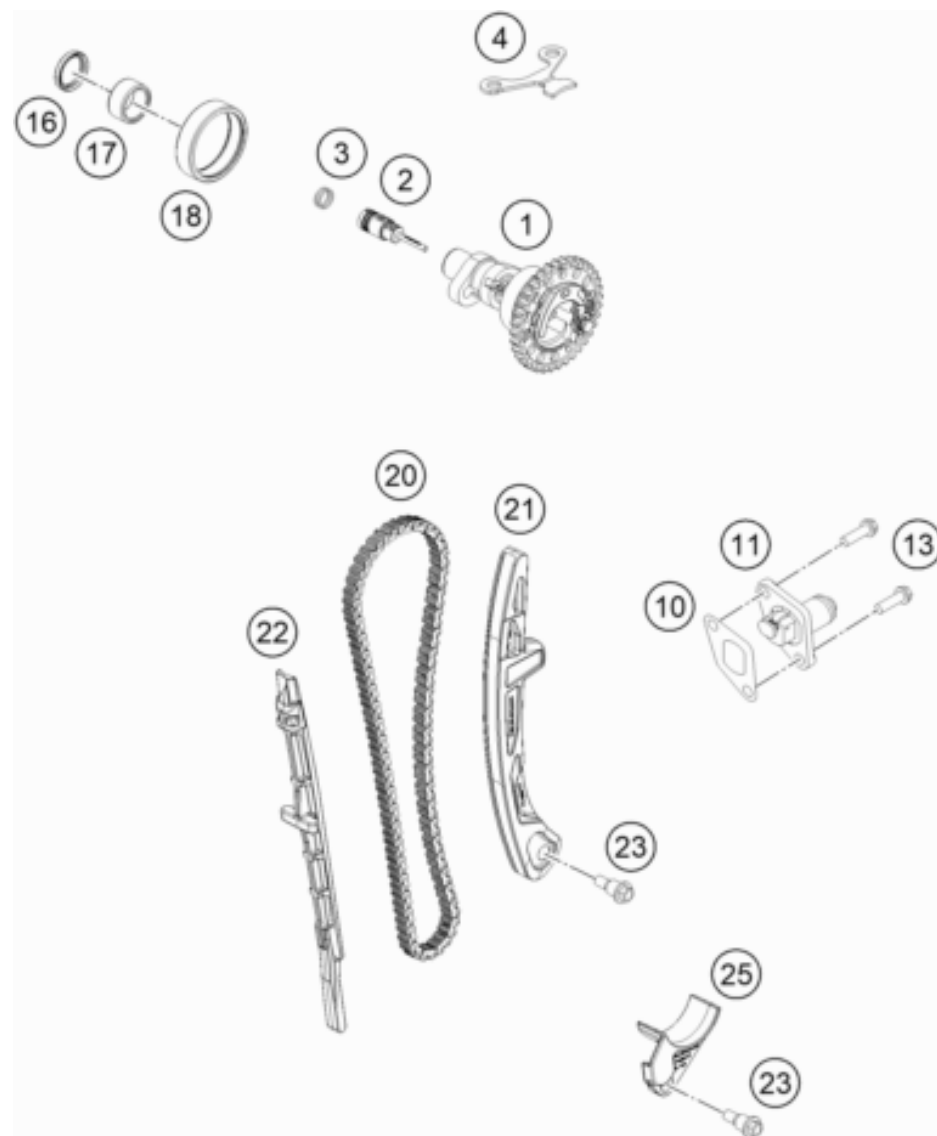
POS	PARTNUMBER	PARTNAME	PIECE
18	79536085000	rocker arm shaft bolt	2
97	79536028010	Valve spring kit exhaust	x
98	79536029010	Valve springs kit 450	x
99	79536030110	Valve spring 450 2020	x

207953610

52390

* NEW PART

X ON DEMAND



POS	PARTNUMBER	PARTNAME	PIECE
1	79536510144	Camshaft with decal	1
2	79536010010	Breather centrifuge	1
3	0770010010	o-ring 10.00x1.00 NBR70	2
4	79536012100	Camshaft bracket	1
10	59036003050	GASKET TIMING CHAIN TENSIONER	1
11	59036003000	TIMINGCHAIN TENSIONER CPL.RAC.	1
13	0025060166	HH collar screw M6x16 TX30	2
16	0760182442	SHAFT SEAL RING 18X24X4	1
17	0618182412	NEEDLE BEAR.HK1812 18/24/12 05	1
18	0618404712	NEEDLE SLEEVE HK4012B40X47X12	1
20	79536013000	Timing chaing	1
21	79536002000	Slide rail	1
22	79536001000	Slide bars	1
23	77236001160	BUSHING SCREW M6	2
25	79436018000	FAIL SAFE	1

207953620

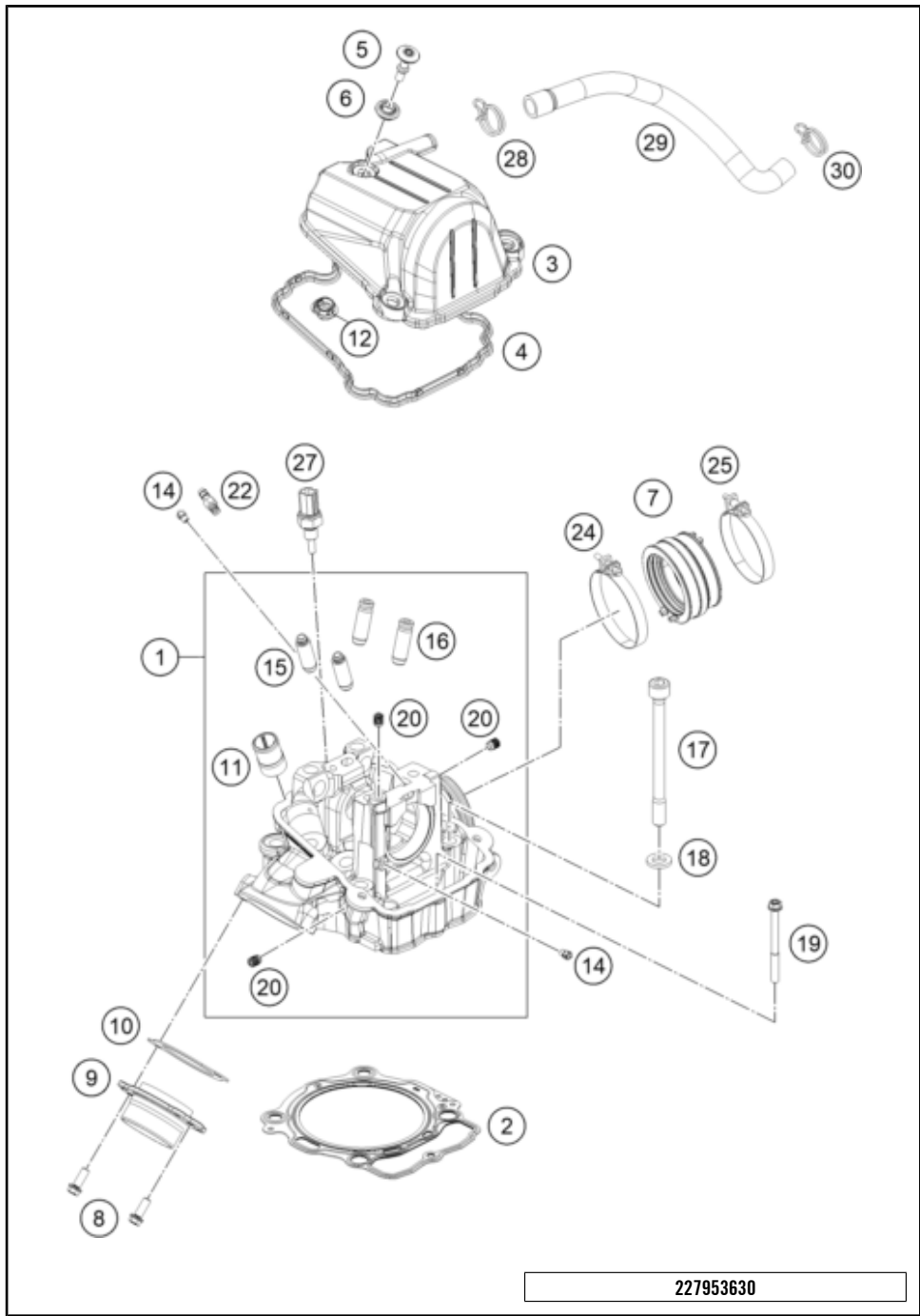
57002

* NEW PART

X ON DEMAND

CYLINDER HEAD

Engine 450 EXC-F 2023



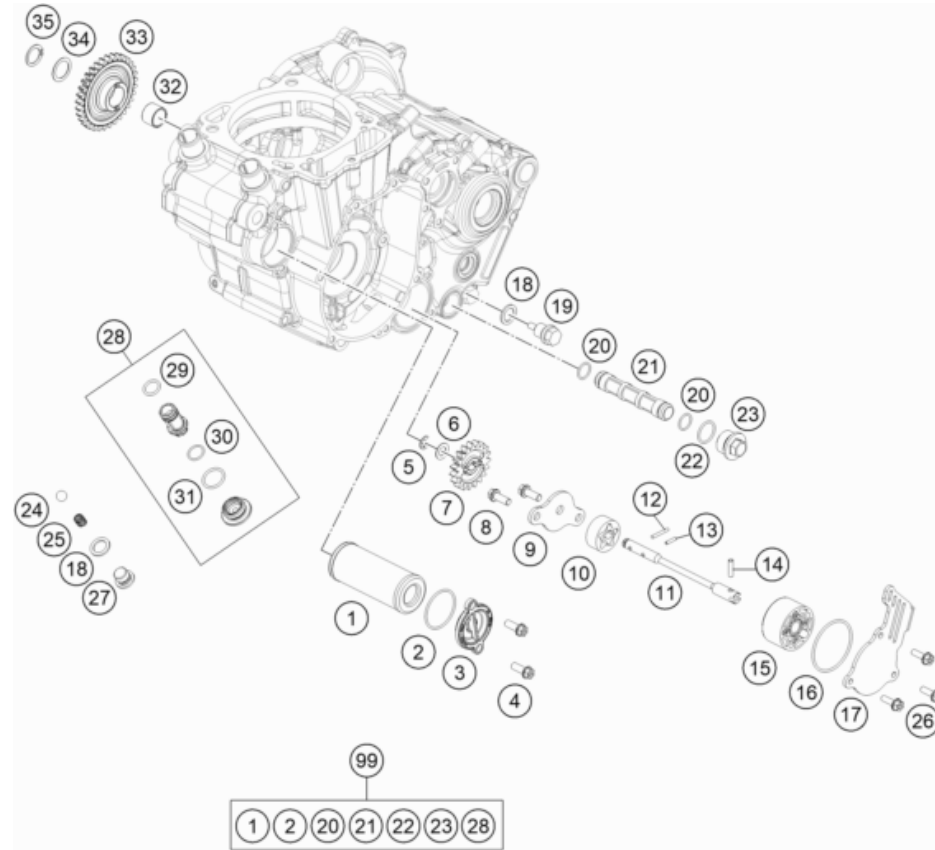
POS	PARTNUMBER	PARTNAME	PIECE
1	79536520244	Cylinder head cml.	1
2	79430036010	CYLINDER HEAD GASKET (DN95)	1
3	7953605200033	Valve cover	1
4	79536053000	gasket valve cover	1
5	79136054000	Valve cover screw	4
6	79136054050	Rubber seal for collar screw	4
7	79536044000	rubber sleeve	1
8	0025060166S	HH collar screw M6x16 TX30 SL	2
9	78136139100	Exhaust system flange	1
10	79536041000	Exhaust gasket	1
11	58030010200	SCREW IN NOZZLE M20X1,5	1
12	79536053150	valve cover gasket	1
14	60030063070	oil jet 70 M5	2
15	79536026001	Valve guide, exhaust valve	2
16	79536025001	Valve Guide intake	2
17	79530044000	Cylinder head bolt	4
18	77336089010	washer 19x10.5x2.5	4
19	0025060656	HH COLLAR SCREW M6X65 TX30	1
20	59030296000	SCREW PLUG	3
22	60036023100	VACUUM CONECTION M6/0,5MM	1
24	61036047000	HOSE CLAMP GEMI 63MM 05	1
25	77236048000	HOSE CLAMP GEMI 58MM	1
27	79435047000	water temperature sensor	1
28	58431082300	CLAMP YDNAC 10173 (18MM)	1
29	79430087000	ENGINE BREATHING HOSE	1
30	58431082100	YDNAC-CLAMP 10173 (16MM) '98	1

227953630

56998

* NEW PART

X ON DEMAND



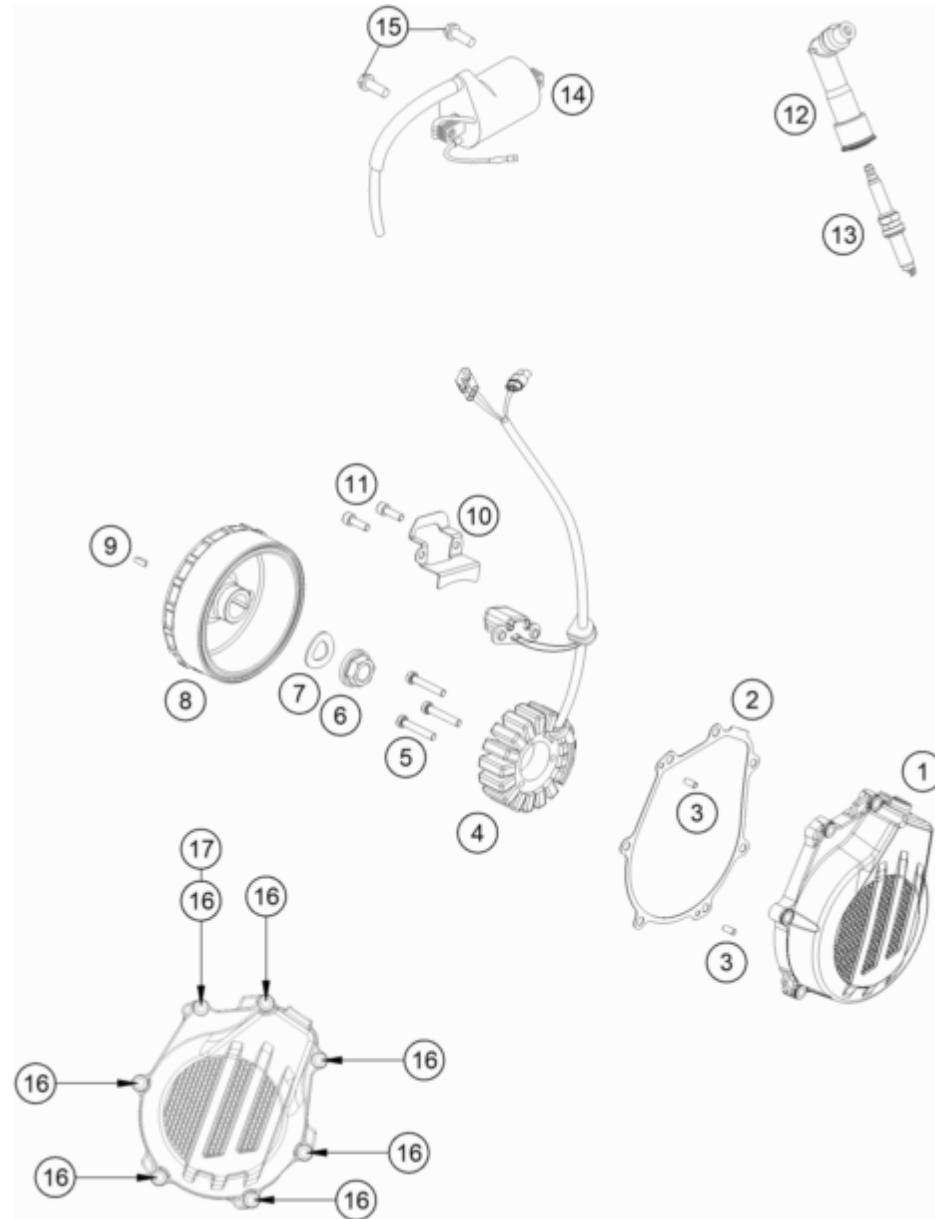
POS	PARTNUMBER	PARTNAME	PIECE
1	77338005100	OIL FILTER	1
2	07703305178	O-RING 33,05X1,78	1
3	77338041200	OIL FILTER COVER 08	1
4	0025050166	HH collar screw M5x16 TX30	2
5	0799060000	TAB WASHER DIN6799-RS 6,0	1
6	58038007755	STOP DISK 8,1 X 15 X 0,5	1
7	79538001018	Oil pump gear wheel, 18 teeth	1
8	0025060166S	HH collar screw M6x16 TX30 SL	2
9	79438003000	OIL PUMP COVER	1
10	59038011112	OILPUMP ROTOR-SET 12MM CPL.	1
11	79438002100	Oil pump shaft suction pump-force pump	1
12	0402251980	NEEDLEROL.DIN5402 NRA 2,5X19,8	1
13	0402251180	NEEDLE ROLLER DIN5402 2,5X11,8	1
14	0402041580	needle roller NRB 4x15.8 G2	1
15	61238011100	ROTOR SET 22MM	1
16	0770440020	O-RING 44,00X2,00 VITON	1
17	79438004100	OIL PUMP COVER	1
18	58038022000	CU-SEAL RING DIN7603-12X18X1,5	2
19	58030021000	OILDRAIN PLUG W.MAG. M 12X1,5	1
20	07701250151	O-RING 12,5X1,5 VITON V75	2
21	59038016100	OIL SCREEN	1
22	0770020170	O-RING 17,17X1,78 GLO	1
23	59038017100	PLUG M20X1,5 WS=13	1
24	0401090003	BALL DIN5401-9	1
25	79438026000	PRESSURE SPRING	1
26	0984050143S	CYL. SCREW DIN6912 M5X14 8.8	3
27	78036024000	PLUG SCREW SAS M12X1,5	1
28	78138015001	OIL SCREEN CPL.	1
29	0770012021	O-RING 12X2 VITON GREEN	1
30	0770125015	O-RING 12,5X1,5 NBR	1
31	0770170200	O-RING 17,00X2,00	1
32	79438001010	NEEDLE BEARING INNER RING	1
33	79438001033	IDLER WHEEL 33T	1
34	0988162205	THRUST WASH. DIN0988-16X22X0,5	1
35	0471150010	CIRCLIP DIN0471-15X1	1
99	79438015010	OILFILTER SERVICEKIT SX-F	x

207953810

52476

* NEW PART

X ON DEMAND



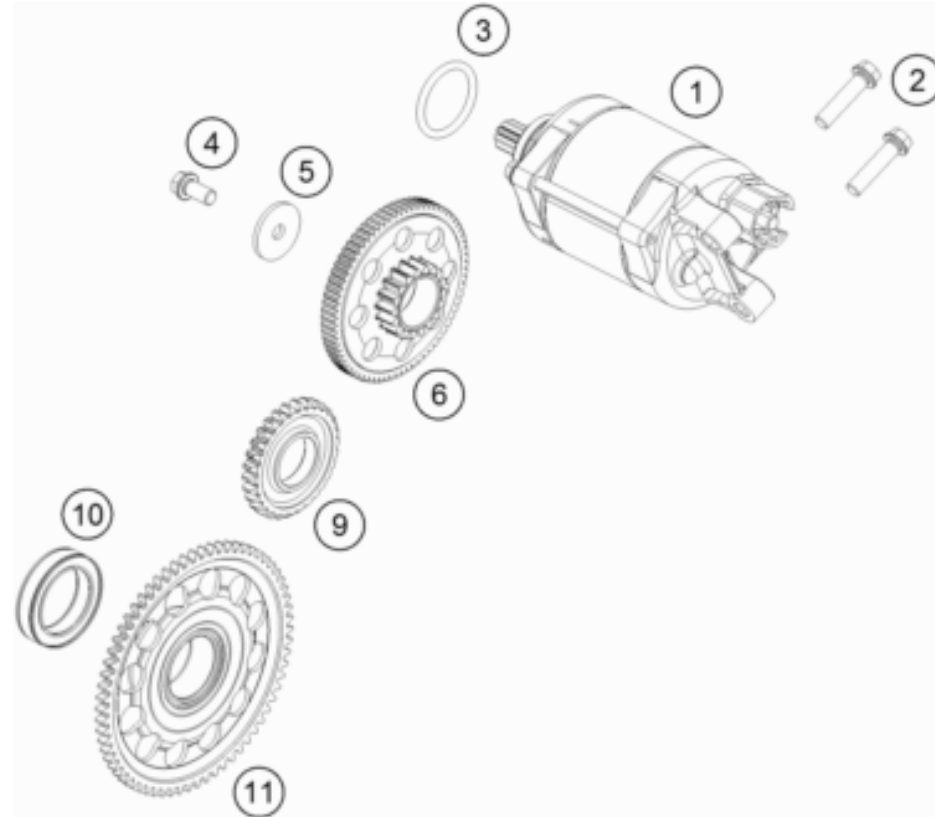
POS	PARTNUMBER	PARTNAME	PIECE
1	7943050200015	IGNITION COVER EXC	1
2	79430040000	IGNITION COVER GASKET	1
3	0402040980	NEEDLE ROL.DIN5402 NRB 4X9,8	2
4	79239104000	STATOR	1
5	0012050303S	Cap head screw DIN 6912 - M5x30 self loc	3
6	49030021000	COLLAR NUT M12X1 R/S	1
7	0137120000	SPRING WASHER DIN0137-B12	1
8	78039205000	ROTOR EXC 08	1
9	0888030037	WOODRUFF KEY DIN6888-3X3,7	1
10	79430502050	CABLE BRACKET	1
11	0912050163	AH SCREW DIN0912-M 5X16	2
12	79539090000	Spark plug connector	1
13	79739093000	Spark plug	1
14	58439006000	IGNITIONCOIL IG3826 KOKUSAN'96	1
15	0026060186	COLLAR SCREW M6X18 ISA30	2
16	0025060256	HH collar screw M6x25 TX30	7
17	0603061001	CU-SEAL RING DIN7603-6X10X1	1

207953910

52408

* NEW PART

X ON DEMAND



POS	PARTNUMBER	PARTNAME	PIECE
1	79440001000	E-STARTER CPL. 0,5KW	1
2	0025060256	HH collar screw M6x25 TX30	2
3	0770250030	O-RING 25,00X3,00 NBR 70	1
4	0025060126S	Hex collar screw M6x12 ISA30 self-lockin	1
5	78040016004	STOP DISC 6X23X2	1
6	79540016000	Torque limiter cml.	1
9	79440022030	IDLER WHEEL 30T	1
10	75040026000	FREE WHEEL	1
11	79440020133	freewheel gear cpl.	1

177944010

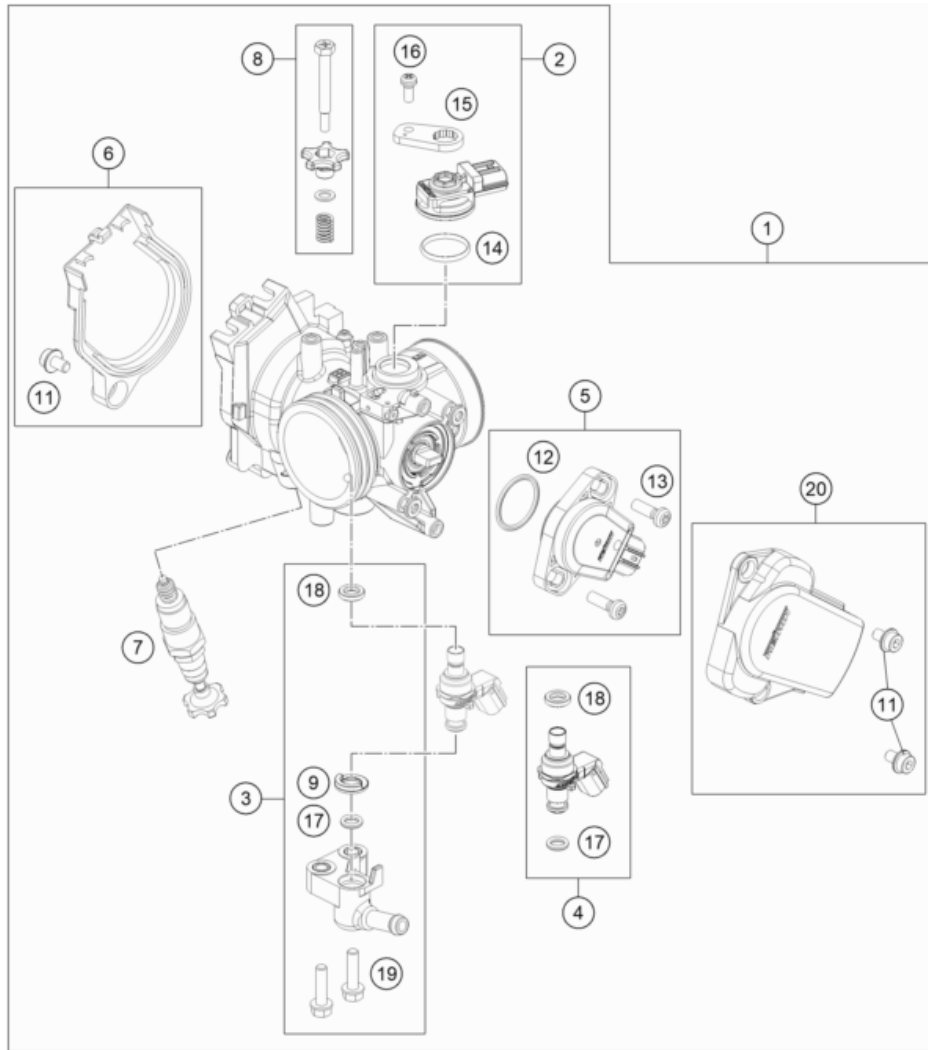
54231

* NEW PART

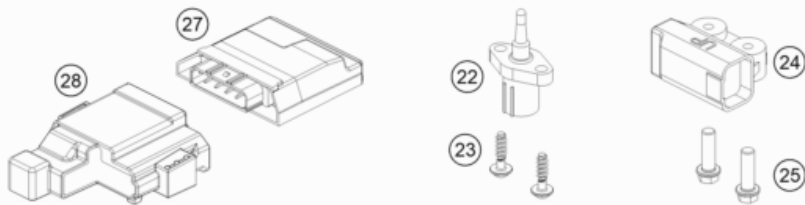
X ON DEMAND

THROTTLE BODY

Engine 450 EXC-F 2023



POS	PARTNUMBER	PARTNAME	PIECE
1	79741001000	throttle body	1
2	77741085044	MAP SENSOR CPL.	1
3	79041013044	FUEL PIPE CPL.	1
4	79041023144	Injector cml.	1
5	79041077044	TPS CPL.	1
6	79141056044	DKK Cover cpl.	1
7	79041070000	STARTER VALVE CPL.	1
8	77741060044	IDLING ADJUSTING SCREW CPL.	1
9	79041023030	SEAL RING	1
11	79041056020	SPECIAL SCREW	3
12	75041077110	O-RING	1
13	61041077020	SCREW THROTTLE POS. SENSOR	2
14	75041085010	O-RING	1
15	77741085020	PLATE	1
16	81241085030	SPECIAL SCREW	1
17	60341023020	O-RING	1
18	75041023010	SEAL RING	1
19	79041013060	SPECIAL SCREW M5X20	2
20	79141078044	TPS Cover cpl.	1
22	61041080000	AMBIENT-AIR TEMPERATURE SENSOR	1
23	0081050181	SCREW FOR PLASTIC K50X18 T20	2
24	61041088000	ROLLOVER SENSOR 05	1
25	0025060206	HH collar screw M6x20 TX30	2
27	79641031000	ENGINE CONTROL UNIT EFI	1
28	79041031050	ECU RUBBER HOLDER	1



207934110

52725

* NEW PART

X ON DEMAND

A large, empty rectangular box with a thin black border, occupying the majority of the page. It is intended for the user to write notes related to the engine model mentioned in the header.

A large, empty rectangular box with a thin black border, occupying the majority of the page. It is intended for the user to write notes related to the engine model mentioned in the header.

A large, empty rectangular box with a thin black border, occupying the majority of the page. It is intended for the user to write notes related to the engine model mentioned in the header.

KTM.COM



089540WEN

KTM Sportmotorcycle GmbH
5230 Mattighofen, Austria
www.ktm.com

KTM POWERPARTS

KTM POWERWEAR

KTM ORIGINAL SPARE PARTS

