

Engine 450 SX-F / XC-F 2023

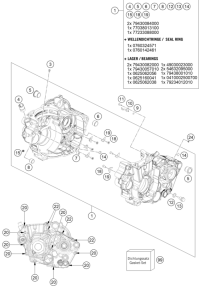
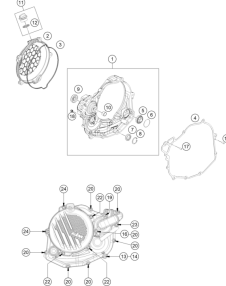
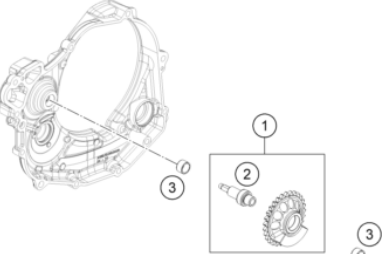
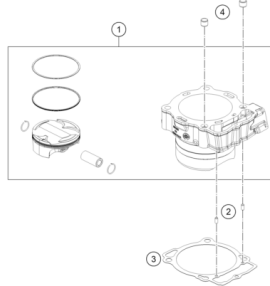
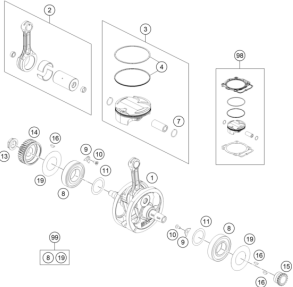
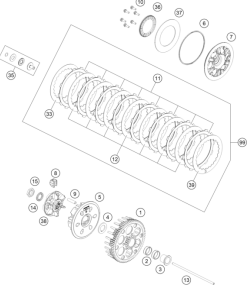
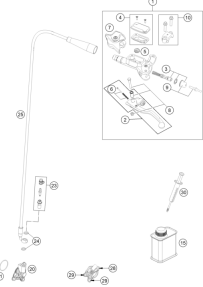
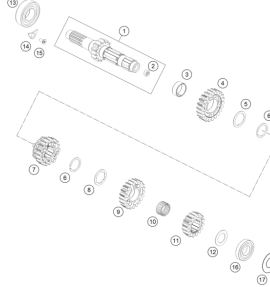
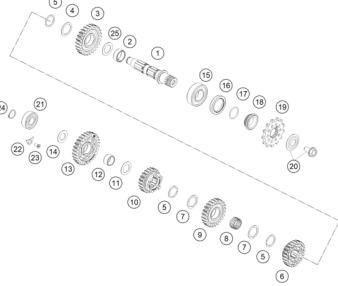
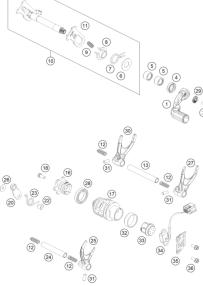
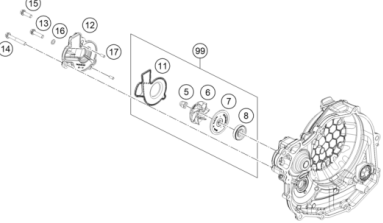
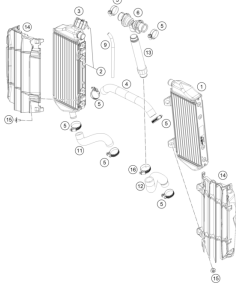
ART.-NR.: 089570WEN

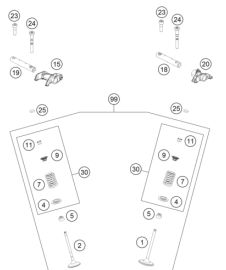
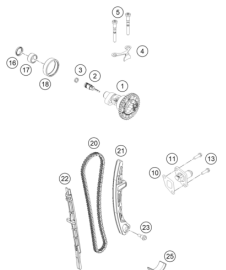
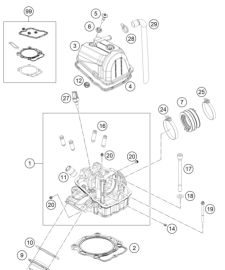
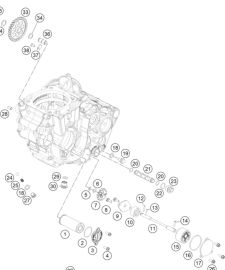
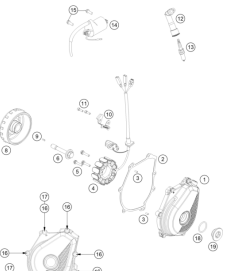
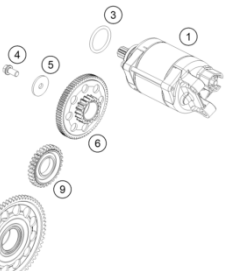
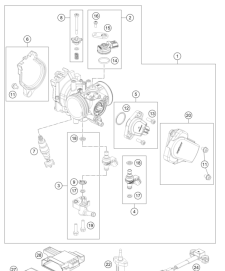


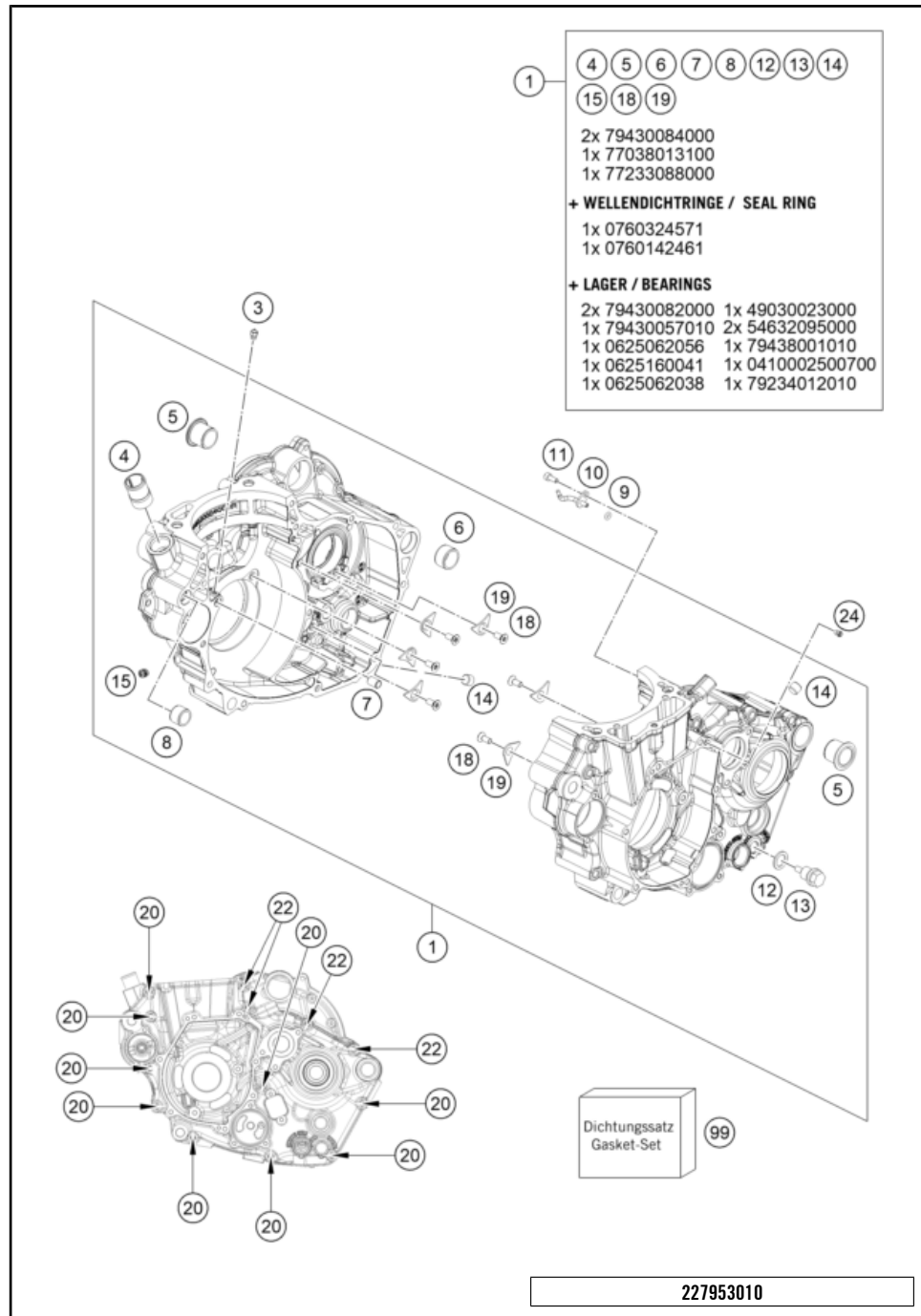


All information contained is without obligation. KTM Sportmotorcycle GmbH particularly reserves the right to modify any equipment, technical specifications, prices, colors, shapes, materials, services, service work, constructions, equipment and the like so as to adapt them to local conditions or to cancel any of the above items, all without previous announcement and without giving reasons. KTM may stop manufacturing certain models without previous notice. KTM shall not be held liable for any deviations of availability and/or ability to deliver, illustrations, descriptions, printing and/or other errors. The illustrated models partly contain extra equipment, which is not applied to standard models.

© by KTM Sportmotorcycle GmbH, Mattighofen AUSTRIA; All rights reserved; Reprint, also in extracts, with written allowance of KTM Sportmotorcycle GmbH, Mattighofen only.

| | | | |
|---|---|--|--|
| <p>ENGINE CASE</p>  <p>3</p> | <p>CLUTCH COVER</p>  <p>4</p> | <p>BALANCER SHAFT</p>  <p>5</p> | <p>CYLINDER</p>  <p>6</p> |
| <p>CRANKSHAFT, PISTON</p>  <p>7</p> | <p>CLUTCH</p>  <p>8</p> | <p>CLUTCH CONTROL</p>  <p>9</p> | <p>TRANSMISSION I - MAIN SHAFT</p>  <p>10</p> |
| <p>TRANSMISSION II - COUNTERSHAFT</p>  <p>11</p> | <p>SHIFTING MECHANISM</p>  <p>12</p> | <p>WATER PUMP</p>  <p>13</p> | <p>COOLING SYSTEM</p>  <p>14</p> |

| | | | |
|--|---|--|---|
| <p>VALVE DRIVE</p>  <p>15</p> | <p>TIMING DRIVE</p>  <p>17</p> | <p>CYLINDER HEAD</p>  <p>18</p> | <p>LUBRICATING SYSTEM</p>  <p>19</p> |
| <p>IGNITION SYSTEM</p>  <p>20</p> | <p>ELECTRIC STARTER</p>  <p>21</p> | <p>THROTTLE BODY</p>  <p>22</p> | |
| | | | |



| POS | PARTNUMBER | PARTNAME | PIECE |
|-----|--------------|--------------------------------------|-------|
| 1 | A48030000044 | engine case cpl. | 1 |
| 3 | 60030063070 | oil jet 70 M5 | 1 |
| 4 | 58030010200 | SCREW IN NOZZLE M20X1,5 | 1 |
| 5 | 79230010000 | CASE BUSH | 2 |
| 6 | 54830027100 | Dowel, 21x12 | 1 |
| 7 | 59030023100 | Dowel, 6x8x11.5 | 1 |
| 8 | 54630027000 | DOWEL BUSHING 13,8X11X12 | 1 |
| 9 | 0770035020 | O-RING 3,5X2,00 NBR | 1 |
| 10 | 81230064000 | OIL JET ANGLED 70 | 1 |
| 11 | 0912040103S | Cylinder screw DIN 912-M4x10-8.8 SS | 1 |
| 12 | 58038022000 | CU-SEAL RING DIN7603-12X18X1,5 | 1 |
| 13 | 58030021100 | oil drain plug with magnet | 1 |
| 14 | 0906100100 | pipe plug DIN 906 M10x1 | 2 |
| 15 | 59030296000 | SCREW PLUG | 3 |
| 18 | 0019050121S | INT. TORX FLAT HEAD M5X12 T25 | 6 |
| 19 | 75030085100 | Retaining bracket crankshaft bearing | 6 |
| 20 | 0025060656 | HH COLLAR SCREW M6X65 TX30 | 9 |
| 22 | 0025060806 | HH COLLAR SCREW M6X80 TX30 | 4 |
| 24 | 59030058000 | JET 100 BING(44-031/180) M4 | 1 |
| 99 | A48030099000 | engine gasket kit MX 450 | x |

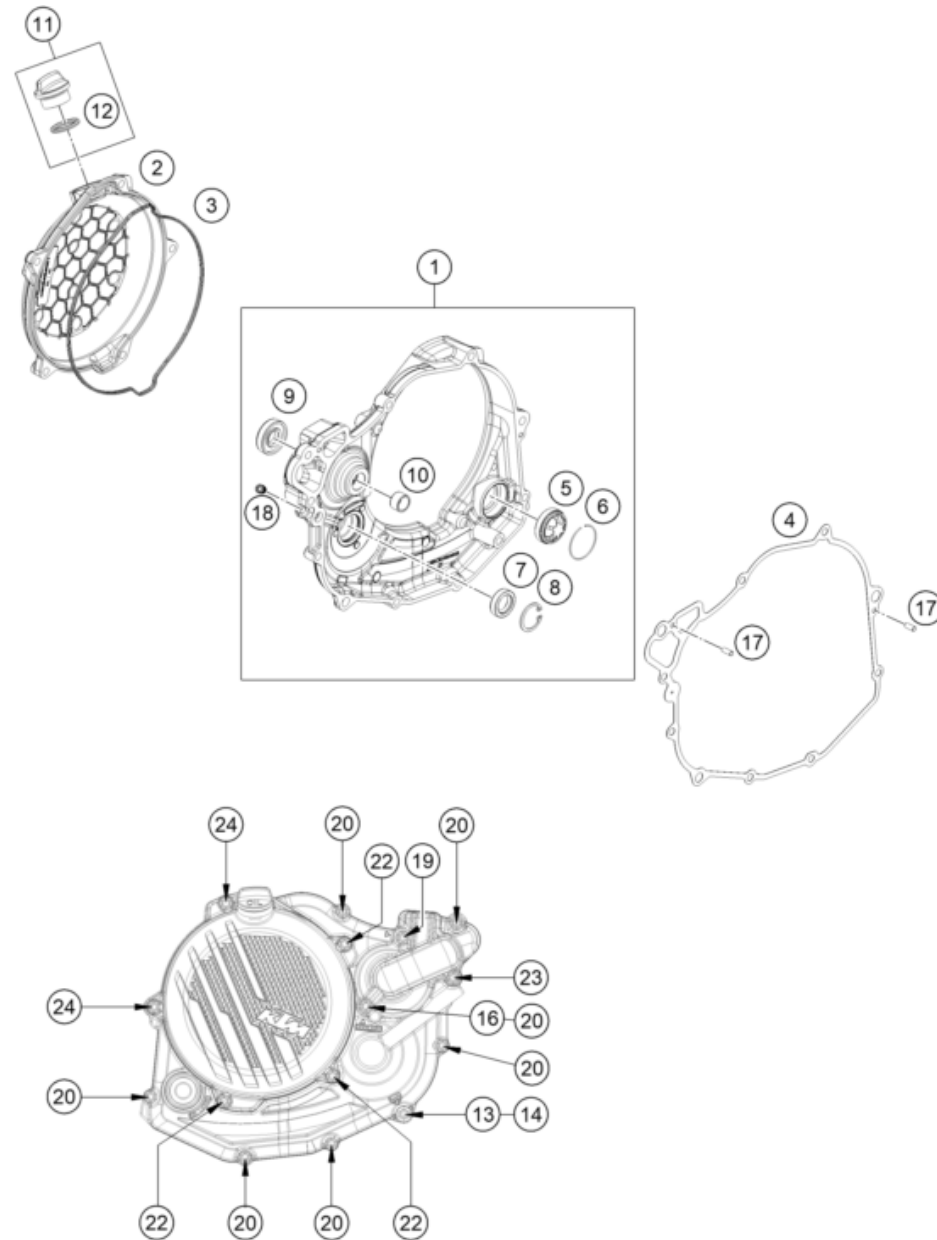
58123

* NEW PART

X ON DEMAND

CLUTCH COVER

Engine 450 SX-F / XC-F 2023



| POS | PARTNUMBER | PARTNAME | PIECE |
|-----|----------------|--------------------------------|-------|
| 1 | A48030001044 | clutch cover cpl. | 1 |
| 2 | A48030026000C1 | Clutch cover outside | 1 |
| 3 | A48030027000 | Clutch cover gasket external | 1 |
| 4 | A48030025000 | Inner clutch cover gasket | 1 |
| 5 | 59030019200 | OIL SIGHT GLASS | 1 |
| 6 | 61030019050 | CIRCLIP OIL LEVEL GLASS 03 | 1 |
| 7 | 0760142460 | radial shaft seal 14x24x6 B | 1 |
| 8 | 0472024120 | CIRCLIP DIN0472-24X1.2 | 1 |
| 9 | 0760123073 | SHAFT SEAL RING 12X30X7 PTFE | 1 |
| 10 | 79430057010 | FRICTION BEAR. BUSH BALANC.SH. | 1 |
| 11 | 79430020033 | OIL FILLER CAP M24x3 WITH O-R | 1 |
| 12 | 0770191015 | O-RING 19,00X3,00 NBR | 1 |
| 13 | 0603082131 | COPPER GASK.DIN7603- 8,2X13X1 | 1 |
| 14 | 0000150802000 | Screw, M8x20 SW=8 8.8 | 1 |
| 16 | 0603061001 | CU-SEAL RING DIN7603-6X10X1 | 1 |
| 17 | 0402040980 | NEEDLE ROL.DIN5402 NRB 4X9,8 | 2 |
| 18 | 59030296000 | SCREW PLUG | 1 |
| 19 | 0025060206S | HH collar screw M6x20 TX30 | 1 |
| 20 | 0025060256 | HH collar screw M6x25 TX30 | 7 |
| 22 | 0025060206 | HH collar screw M6x20 TX30 | 3 |
| 23 | 0025060456 | HH COLLAR SCREW M6X45 TX30 | 1 |
| 24 | 0025060556 | HH collar screw M6x55 TX30 | 2 |

227953020

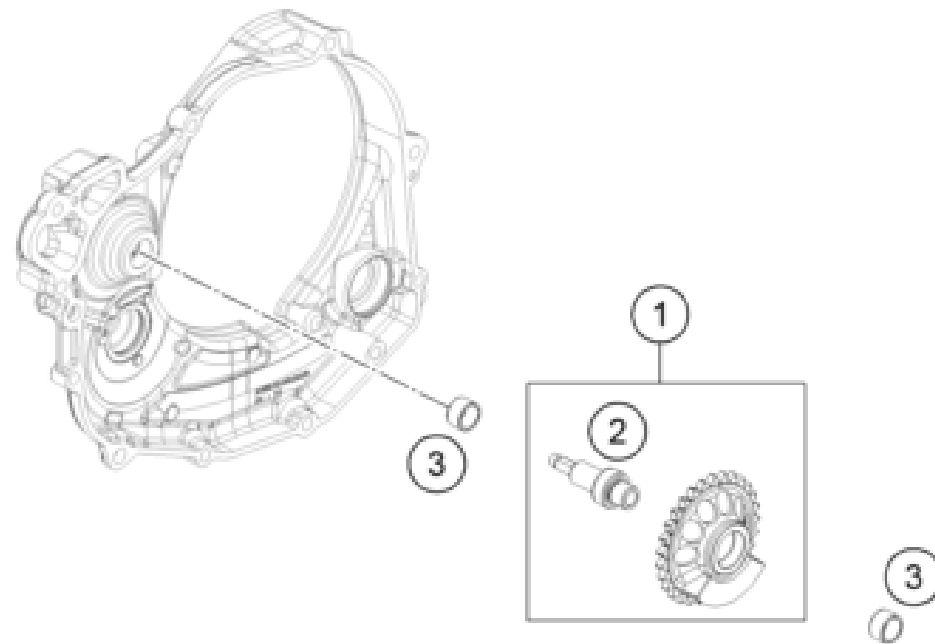
58153

* NEW PART

X ON DEMAND

BALANCER SHAFT

Engine 450 SX-F / XC-F 2023



| POS | PARTNUMBER | PARTNAME | PIECE |
|-----|--------------|-------------------------------|-------|
| 1 | A48030057000 | Balancer shaft | 1 |
| 2 | 79430057101 | Balancer shaft | 1 |
| 3 | 79430057010 | FRICION BEAR. BUSH BALANC.SH. | 2 |

227953030

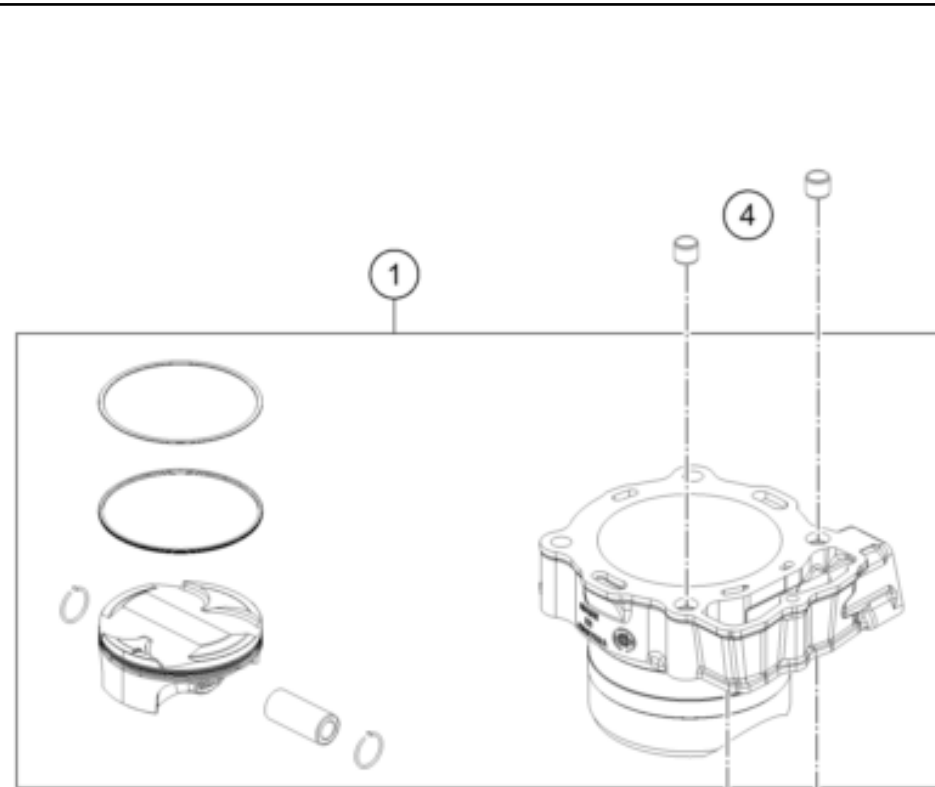
58177

* NEW PART

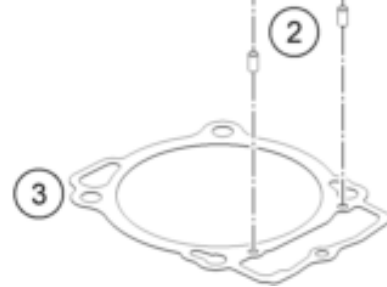
X ON DEMAND

CYLINDER

Engine 450 SX-F / XC-F 2023



| POS | PARTNUMBER | PARTNAME | PIECE |
|-----|--------------|------------------------------|-------|
| 1 | A48030038000 | cylinder & piston | 1 |
| 2 | 0402050980 | needle roller DIN 5402 5x9.8 | 2 |
| 3 | 79430035000 | CYLINDER BASE GASKET | 1 |
| 4 | 58530014100 | dowl sleeve 10.2x12.5x10 | 2 |



227953040

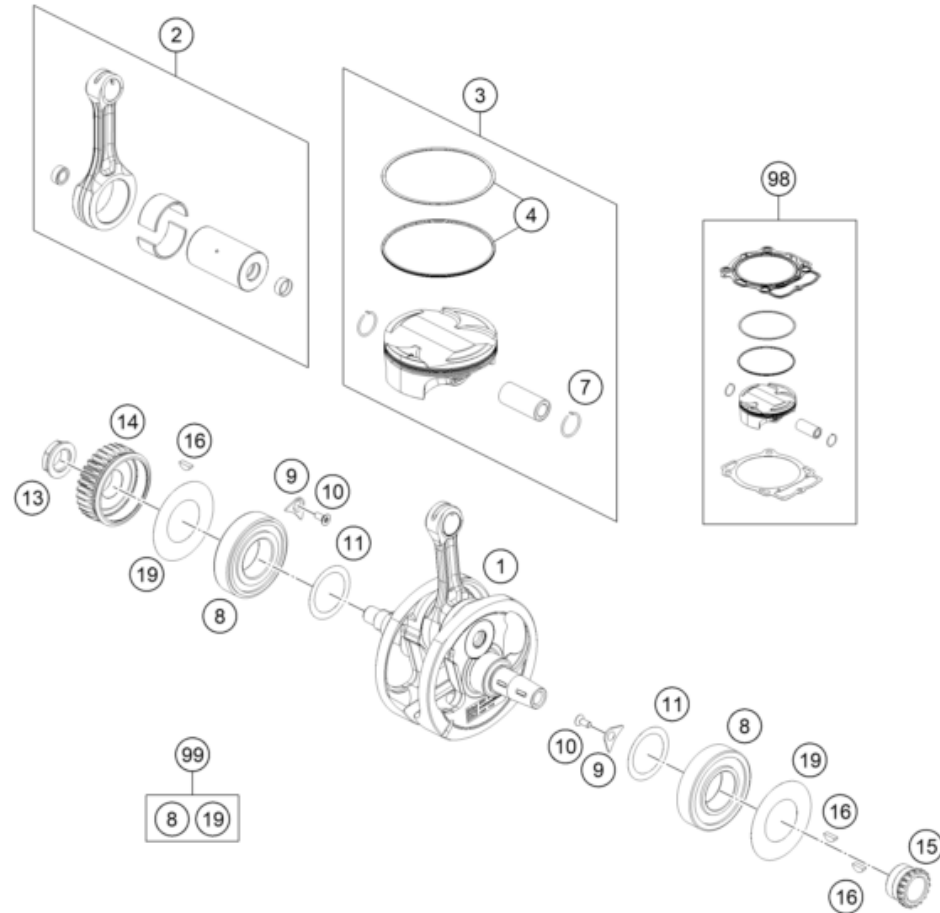
58161

* NEW PART

X ON DEMAND

CRANKSHAFT, PISTON

Engine 450 SX-F / XC-F 2023



| POS | PARTNUMBER | PARTNAME | PIECE |
|-----|-----------------|--------------------------------|-------|
| 1 | A48030018000 | Crankshaft compl. | 1 |
| 2 | 79530015044 | Connecting rod repair kit | 1 |
| 3 | A48030007100 II | PISTON Gr. II CPL. MX 450 | 1 |
| 3 | A48030007100 I | Piston gr.I kpl. MX 450 | 1 |
| 4 | 79430130044 | PISTON RING KIT | 1 |
| 7 | 79430174000 | CIRCLIP | 2 |
| 8 | 79430082000 | CYLINDER ROLLER BEARING NJ207 | 2 |
| 9 | 75030085000 | RETAINING PLATE F. CS BEARING | 2 |
| 10 | 0019050121S | INT. TORX FLAT HEAD M5X12 T25 | 2 |
| 11 | 56530081000 | SHIM WASHER 36X48X0,10 | x |
| 11 | 56530081200 | SHIM WASHER 36X48X0,20 STEEL | x |
| 11 | 56530081100 | SHIM WASHER 36X48X0,15 | x |
| 11 | 56530081300 | SHIM WASHER 36X48X0,30 | x |
| 13 | 0910001801000S | Nut M18x1.5 Precote | 1 |
| 14 | A48032023029 | Primary gear 29 teeth | 1 |
| 15 | 78036014400 | Timing gear 18 teeth | 1 |
| 16 | 0888030037 | WOODRUFF KEY DIN6888-3X3,7 | 3 |
| 19 | 79430084000 | BEARING SEAL | 2 |
| 98 | A48030007110 II | Piston Kit II MX 450 | x |
| 98 | A48030007110 I | Piston Kit I MX 450 | x |
| 99 | 00050002315 | CRANKSHAFT REP.KIT 450 SX-F 15 | x |

227953060

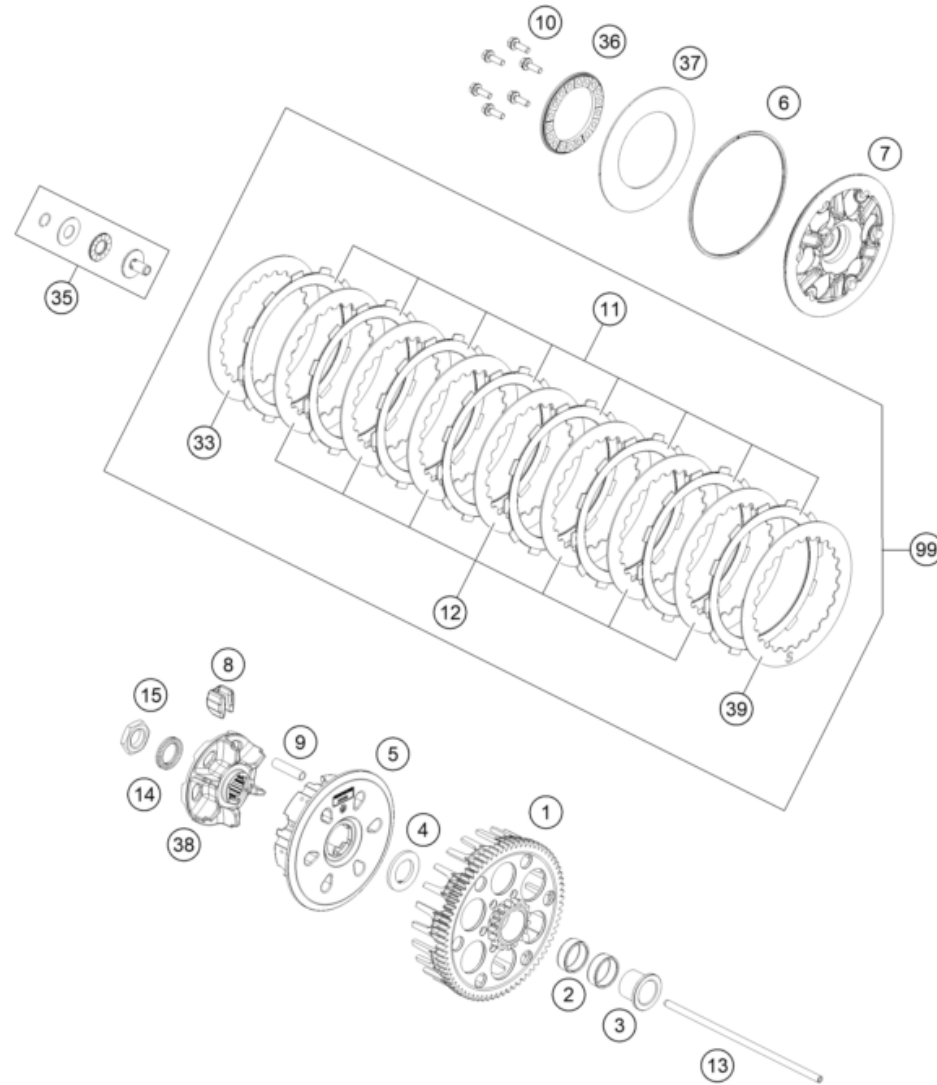
58160

* NEW PART

X ON DEMAND

CLUTCH

Engine 450 SX-F / XC-F 2023



| POS | PARTNUMBER | PARTNAME | PIECE |
|-----|---------------|--------------------------------|-------|
| 1 | A46032001072 | Outer clutch hub | 1 |
| 2 | 0405252910 | NEEDLE BEAR K 25X29X10 | 2 |
| 3 | A46032015000 | Collar sleeve | 1 |
| 4 | 78932009000 | WASHER 22 X 36,5 X 3 | 1 |
| 5 | 78132002400 | Inner clutch hub | 1 |
| 6 | 78132013000 | WASHER 112X118X1.5 | 1 |
| 7 | 79432003100 | Clutch pressure plate | 1 |
| 8 | 78132025100 | DAMPING RUBBER | 6 |
| 9 | 77232004000 | DRIVING SLEEVE D=7,95 L=38 | 6 |
| 10 | 0025050166 | HH collar screw M5x16 TX30 | 6 |
| 11 | 79532011000 | Lining disc 1,95mm | 8 |
| 12 | 59032010200 | INTERMEDIATE DISC 1,4MM 2002 | 7 |
| 13 | A48032054000 | Push rod | 1 |
| 14 | 0252012002900 | Wedge lock washer 19.5x29x3.4 | 1 |
| 15 | 0936181506 | Hex nut DIN0936-M18x1.5 right | 1 |
| 33 | 59032010100 | INTERMEDIATE DISC 1MM 2002 | 1 |
| 35 | 78132057144 | PRESSURE PIECE CPL. | 1 |
| 36 | 78132006200 | Spring retainer | 1 |
| 37 | 78932005000 | BELLEV. SPR. 71X115X1,610=4.74 | 1 |
| 38 | 78132002211 | Clutch center | 1 |
| 39 | 78932010000 | INTERMEDIATE DISC 1MM | 1 |
| 99 | 79532010033 | CLUTCH DISC PACKAGE | 1 |

227953210

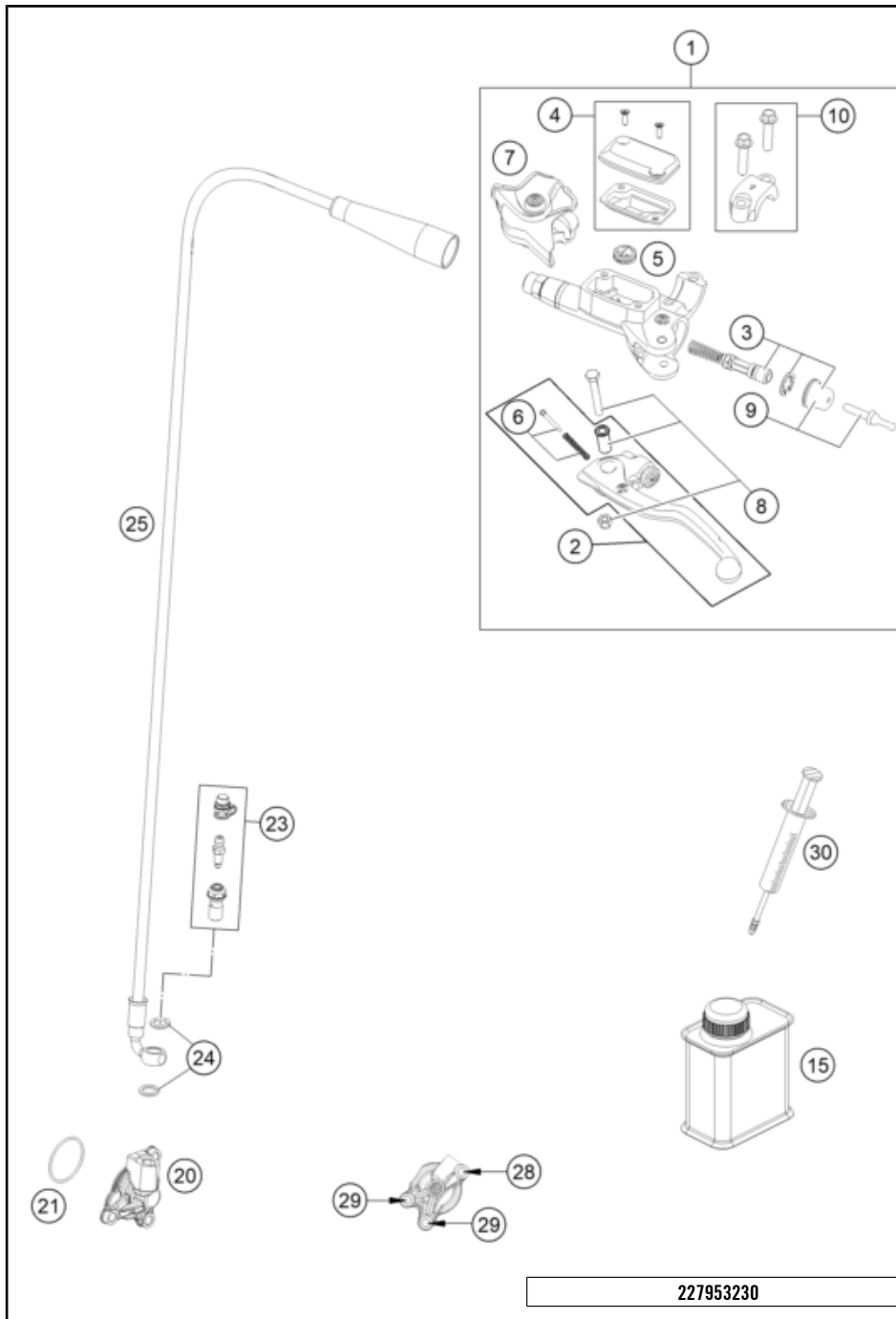
58162

* NEW PART

X ON DEMAND

CLUTCH CONTROL

Engine 450 SX-F / XC-F 2023



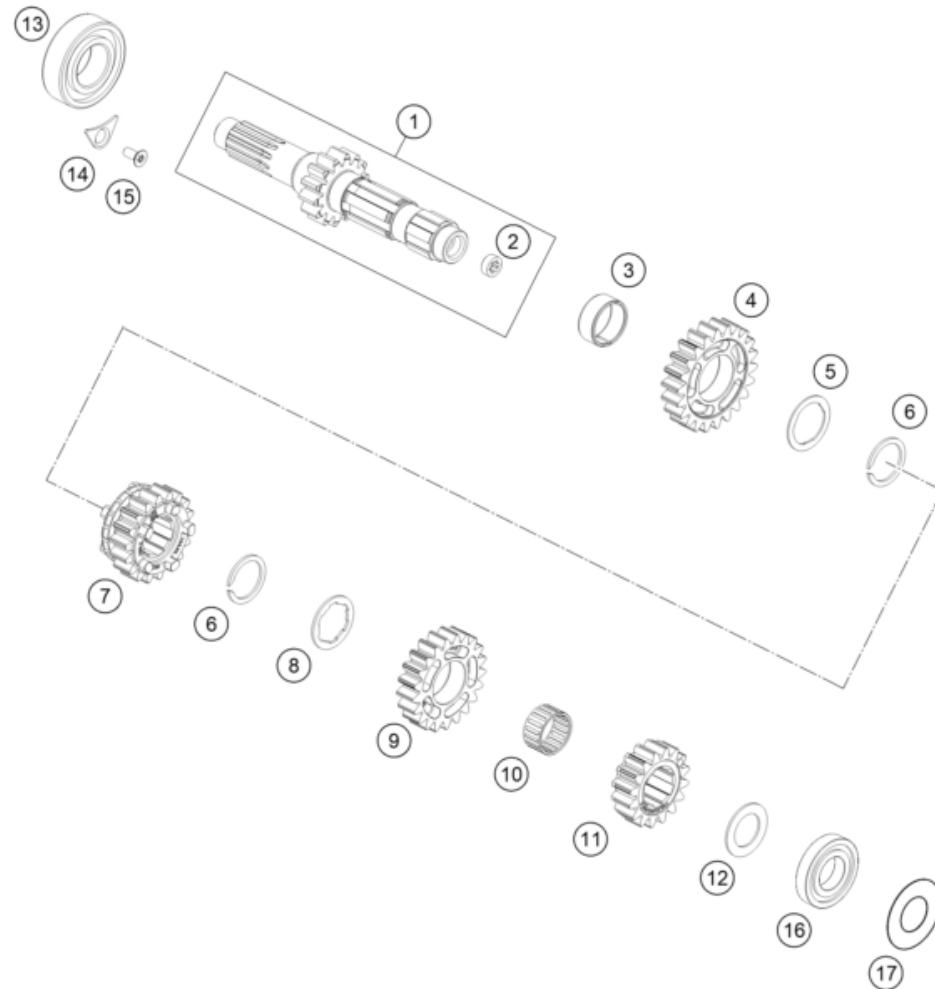
| POS | PARTNUMBER | PARTNAME | PIECE |
|-----|---------------|------------------------------|-------|
| 1 | 79202030044 | MASTER CYLINDER CPL. | 1 |
| 2 | 54802031000 | CLUTCH LEVER CPL. BREMBO 06 | 2 |
| 3 | 54802032000 | REP. KIT PISTON 06 | 1 |
| 4 | 5480200310030 | COVER HYD. CLUTCH CPL. 2014 | 1 |
| 5 | 54802051000 | VALVE | 1 |
| 6 | 54802052000 | BOLT KPL. | 1 |
| 7 | 54802037000 | PROTECTION CAP 06 | 1 |
| 8 | 54802038100 | LEVER SCREW CPL. 06 | 6 |
| 9 | 54802046000 | PUSH ROD CPL. | 6 |
| 10 | 54802005100 | CLAMP CPL. 06 | 6 |
| 15 | 00062030000 | BRAKE FLUID DOT5.1 0,25L | 1 |
| 20 | 79232061044 | OUTPUT CYLINDER CPL. | 1 |
| 21 | 0770300015 | O-RING 30,00X1,50 NBR 70 | 1 |
| 23 | 79032064000 | BLEEDER SCREW CPL. | 1 |
| 24 | 0603082121 | SEAL RING CU DIN7603- 8X12X1 | 2 |
| 25 | A49032063000 | clutch hose | 1 |
| 28 | 0025060406 | HH collar screw M6x40 TX30 | 1 |
| 29 | 0025060166 | HH collar screw M6x16 TX30 | 2 |
| 30 | 50329050000 | VENT INJEKTION HYDR. CLUTCH | 1 |

227953230

60028

* NEW PART

X ON DEMAND



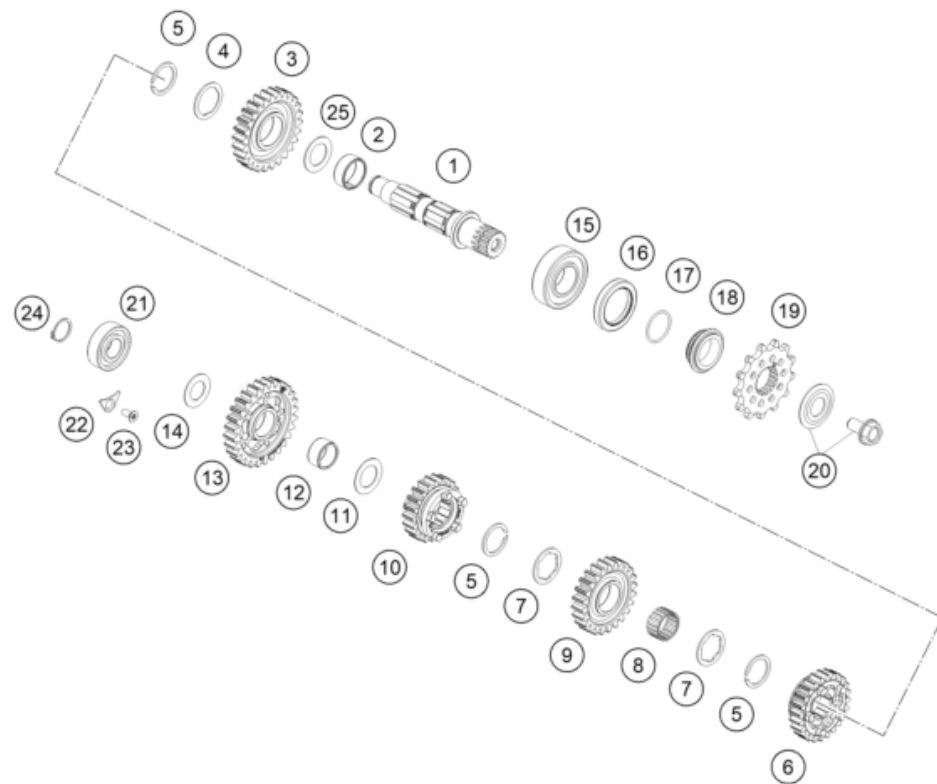
| POS | PARTNUMBER | PARTNAME | PIECE |
|-----|--------------|--------------------------------------|-------|
| 1 | A47033001000 | Main shaft compl. | 1 |
| 2 | 79133001010 | bushing | 1 |
| 3 | 0405242812 | NEEDLE BEAR. K24X28X11,9 DIV. | 1 |
| 4 | 79333505000 | Idle gear 5 th. | 1 |
| 5 | 79333043000 | Stop disk | 1 |
| 6 | 77033022100 | Retaining ring 25x1,65 | 2 |
| 7 | 79333503000 | Sliding gear 3 rd. | 1 |
| 8 | 54833044000 | STOP DISC 25X31X1,5 | 1 |
| 9 | 79333504000 | Idle gear 4 th | 1 |
| 10 | 0405222613 | NEEDLE BEAR. K 22X26X13 TN | 1 |
| 11 | 79333002000 | Fixed gear 2nd g/16 teeth | 1 |
| 12 | 77233015000 | DISK 20,2X32X1,3 | 1 |
| 13 | 0625062056 | Groove ball bearing 6205 C4 NTN | 1 |
| 14 | 75030085100 | Retaining bracket crankshaft bearing | 1 |
| 15 | 0019050121S | INT. TORX FLAT HEAD M5X12 T25 | 1 |
| 16 | 0625160041 | BALL BEARING TM 16004 C4 | 1 |
| 17 | 77233088000 | SPACER SHIM 21X42X0.2 | 1 |

227953330

58158

* NEW PART

X ON DEMAND



| POS | PARTNUMBER | PARTNAME | PIECE |
|-----|-------------|--------------------------------------|-------|
| 1 | 79333010000 | Countershaft | 1 |
| 2 | 0405242812 | NEEDLE BEAR. K24X28X11,9 DIV. | 1 |
| 3 | 79333512000 | Idler gear 2nd. | 1 |
| 4 | 79333043000 | Stop disk | 1 |
| 5 | 77033022100 | Retaining ring 25x1,65 | 3 |
| 6 | 79333514000 | Sliding gear 4th | 1 |
| 7 | 59033030000 | STOP DISC 25,2X32X1,5 | 2 |
| 8 | 0405222613 | NEEDLE BEAR. K 22X26X13 TN | 1 |
| 9 | 79333513000 | Idler gear 3rd | 1 |
| 10 | 79333515000 | Sliding gear 5th | 1 |
| 11 | 59033080000 | SHIM 20X32X1 | 1 |
| 12 | 0405202413 | NEEDLE BEAR. K20X24X13 | 1 |
| 13 | 79333511000 | Idler gear 1 st. | 1 |
| 14 | 56033030000 | STOP DISC 17,2X30X1 | 1 |
| 15 | 49030023000 | cylindrical roller bearing NJ205 | 1 |
| 16 | 0760324571 | SHAFT SEAL RING 32X45X7 BSLNBR | 1 |
| 17 | 0770020220 | O-RING 25,12X1,78 NBR70 | 1 |
| 18 | 78133014000 | SPACER SLEEVE COUNTER | 1 |
| 19 | 79233029013 | SPROCKET 13T | x |
| 19 | 79233029014 | SPROCKET 14T | 1 |
| 20 | 59033034044 | SCREW 10.9+SPRING WASHER | 1 |
| 21 | 0625062038 | Ballbearing NTN 6203JR2CM21 | 1 |
| 22 | 75030085100 | Retaining bracket crankshaft bearing | 1 |
| 23 | 0019050121S | INT. TORX FLAT HEAD M5X12 T25 | 1 |
| 24 | 0471170015 | CIRCLIP DIN 0471-17X1, 5 | 1 |
| 25 | 56033030000 | STOP DISC 17,2X30X1 | 1 |

227953360

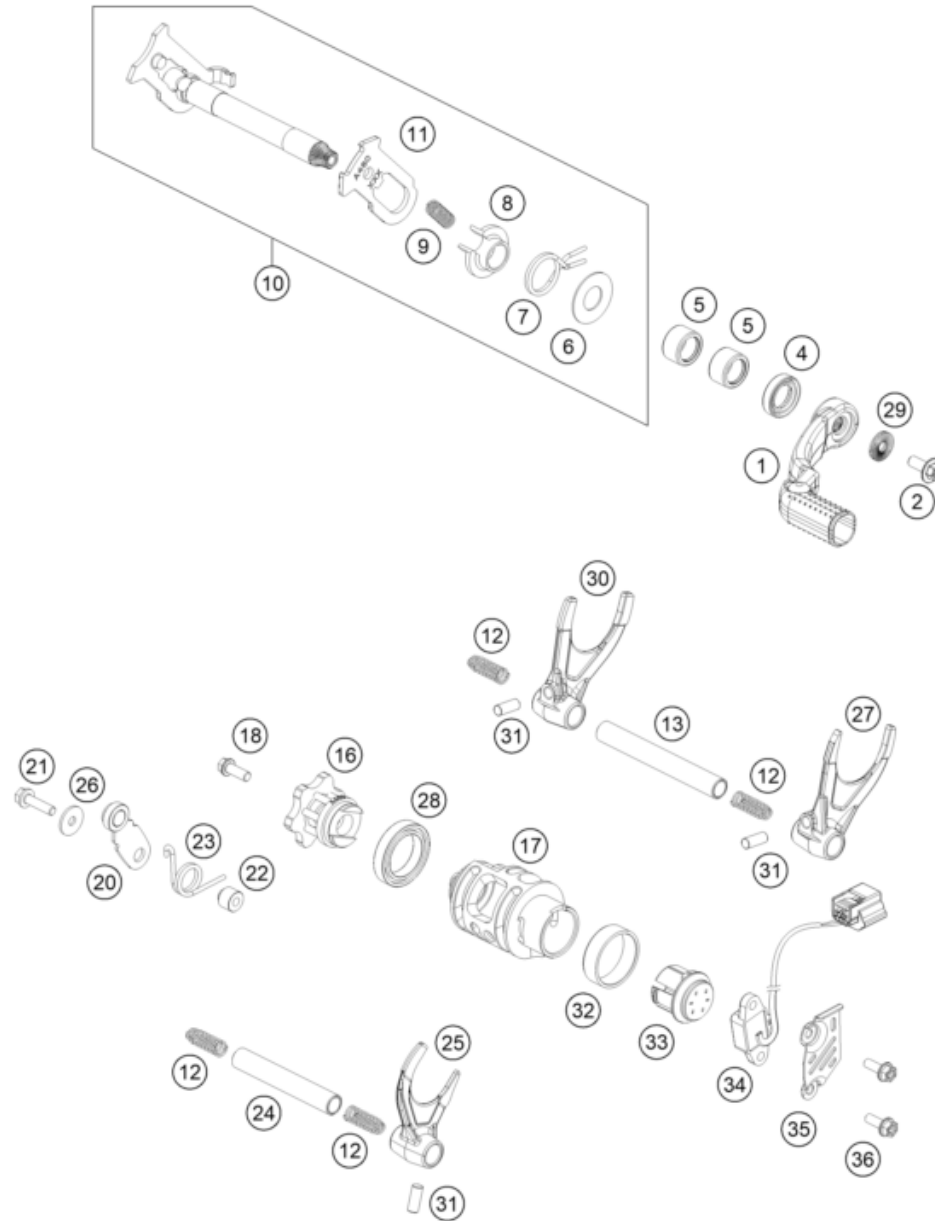
58159

* NEW PART

X ON DEMAND

SHIFTING MECHANISM

Engine 450 SX-F / XC-F 2023



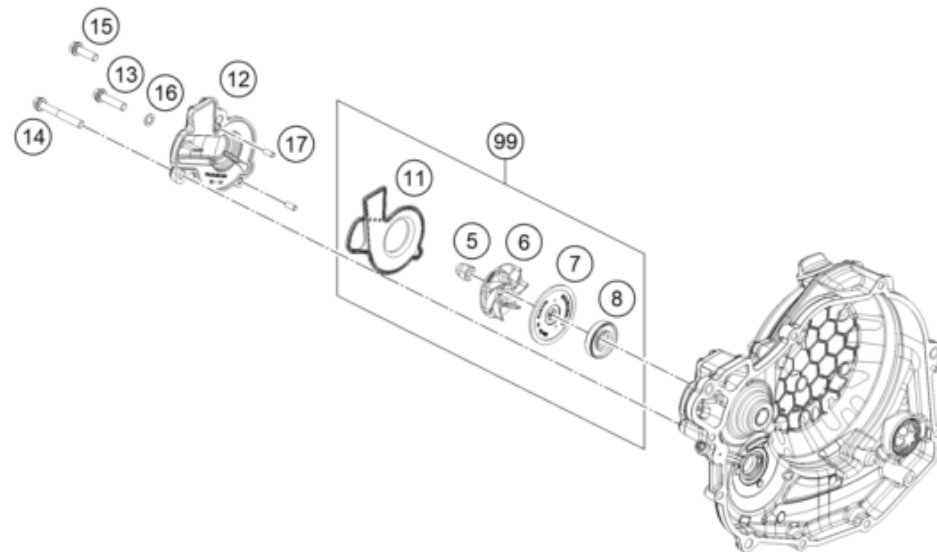
| POS | PARTNUMBER | PARTNAME | PIECE |
|-----|---------------|--|-------|
| 1 | 79234031100 | SHIFT LEVER CPL. | 1 |
| 2 | 0024060156S | HH collar screw M6x15 TX30 | 1 |
| 4 | 0760142461 | SHAFT SEAL RING 14X24X6B VITON | 1 |
| 5 | 54632095000 | needle sleeve HK 1412 14x20x12 | 2 |
| 6 | 54634050000 | STOP DISK 14X30X1 | 1 |
| 7 | 54834014000 | RETURN SPRING 03 | 1 |
| 8 | 54634020000 | SPRING GUIDE | 1 |
| 9 | 56534013100 | TENSIONING SPRING 0,8MM | 1 |
| 10 | A46034005033 | Shift shaft cpl. | 1 |
| 11 | A46034008044 | Sliding plate cpl. | 1 |
| 12 | 58038023400 | Compression spring L=25mm D=0.9mm | 4 |
| 13 | A46034020000 | Shift fork shaft (L=66 mm) | 1 |
| 16 | A46034015000 | Shift star cpl. | 1 |
| 17 | A47034012000 | Shift drum 5 gear | 1 |
| 18 | 0025060306S | HH collar screw M6x30 TX30 | 1 |
| 20 | A46034024044 | Detent arm cpl. | 1 |
| 21 | 0025050256S | HH collar screw M5x25 TX30 | 1 |
| 22 | 54634052300 | SLEEVE FOR LOCKING LEVER | 1 |
| 23 | 54834023000 | LOCKING LEVER SPRING 03 | 1 |
| 24 | A46034019000 | Shift fork shaft (L=93 mm) | 1 |
| 25 | 79234001000 | SHIFTING FORK 4TH/5TH GEAR | 1 |
| 26 | 0021050003 | washer DIN 9021 A - 5.3 | 1 |
| 27 | 79234002000 | SHIFTING FORK 2ND GEAR | 1 |
| 28 | 0410002500700 | Grooved ball bearing 6805 JR C3 | 1 |
| 29 | 50233041500 | PAIR NORDLOCK WASHER M6 | 1 |
| 30 | 79234003000 | SHIFTING FORK 1ST/3RD GEAR | 1 |
| 31 | 0402061480 | NEEDLE ROLLER DIN5402 6X14,8 | 3 |
| 32 | 79234012010 | FRICTION BEARING CONTROLLER | 1 |
| 33 | 79234012020 | magnet holder cpl. | 1 |
| 34 | 79211023000 | gear position sensor | 1 |
| 35 | A46011024000 | Shield gear position sensor | 1 |
| 36 | 0025050146S | Hex coll. screw M5x14 ISA30 self-locking | 2 |

227953412

58163

* NEW PART

X ON DEMAND



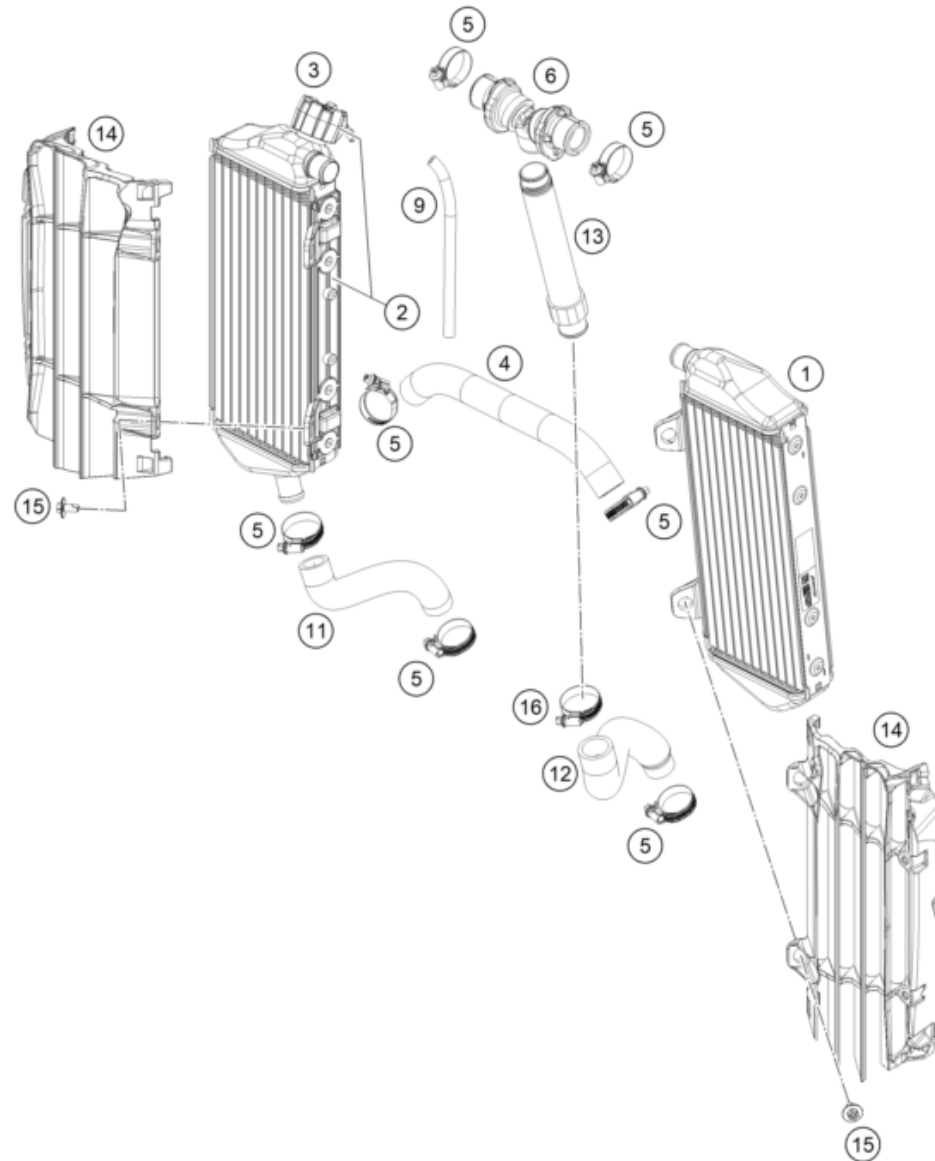
| POS | PARTNUMBER | PARTNAME | PIECE |
|-----|-------------|------------------------------|-------|
| 5 | 61230045000 | CAP NUT M6 STAINLESS STEEL | 1 |
| 6 | 81235055020 | WATER PUMP ROTOR | 1 |
| 7 | 81235055110 | DISC WATER PUMP | 1 |
| 8 | 0760123073 | SHAFT SEAL RING 12X30X7 PTFE | 1 |
| 11 | 79435053100 | Gasket with carrier plate | 1 |
| 12 | 79435052000 | WATER PUMP COVER | 1 |
| 13 | 0025060256 | HH collar screw M6x25 TX30 | 1 |
| 14 | 0025060456 | HH COLLAR SCREW M6X45 TX30 | 1 |
| 15 | 0025060206 | HH collar screw M6x20 TX30 | 1 |
| 16 | 0603061001 | CU-SEAL RING DIN7603-6X10X1 | 1 |
| 17 | 0402040980 | NEEDLE ROL.DIN5402 NRB 4X9,8 | 2 |
| 99 | 79435055015 | WATER PUMP REP. KIT | x |

227953510

57522

* NEW PART

X ON DEMAND



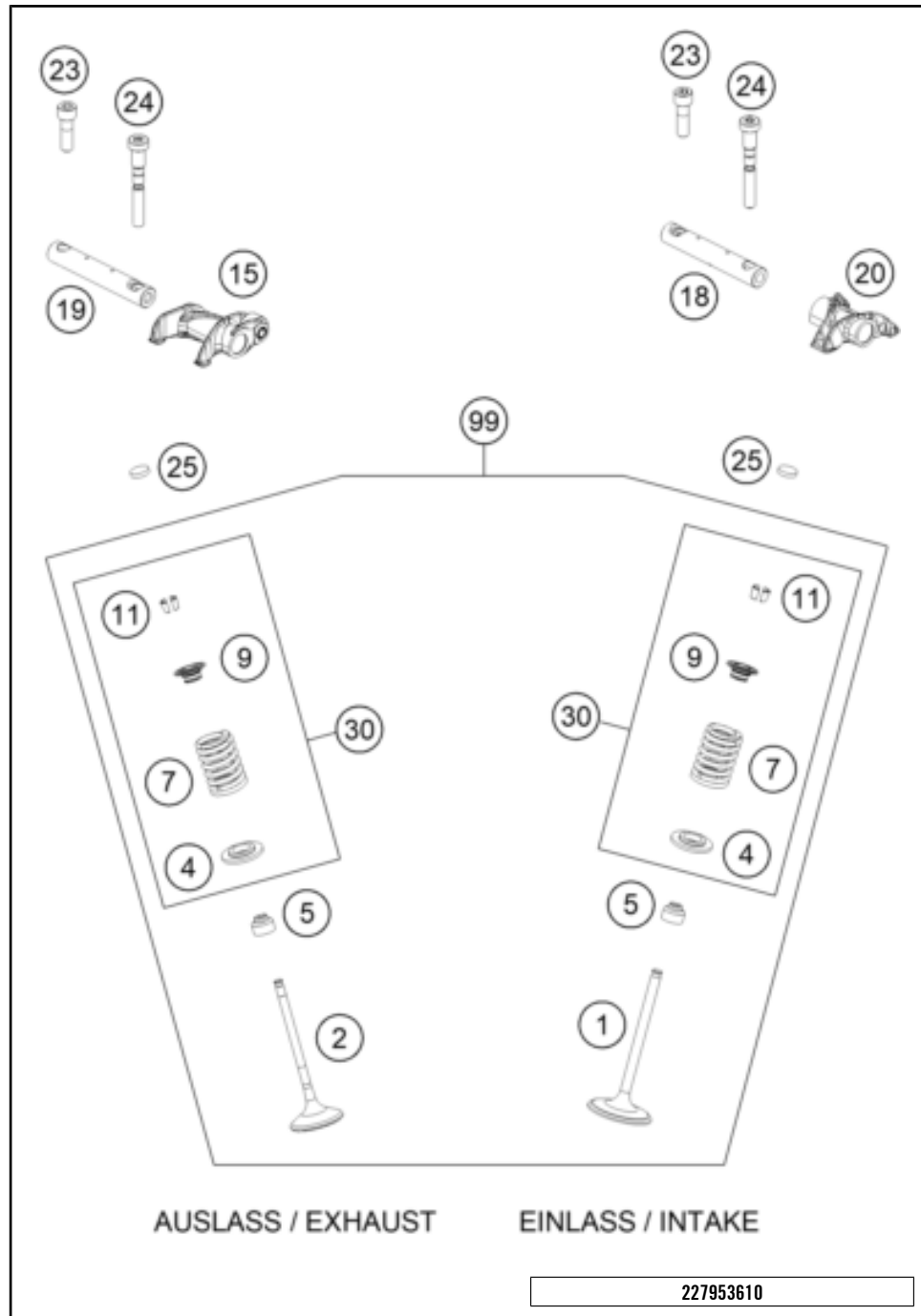
| POS | PARTNUMBER | PARTNAME | PIECE |
|-----|----------------|---|-------|
| 1 | A46035007000 | Radiator left | 1 |
| 2 | A46035008000 | Radiator right | 1 |
| 3 | A46035009000 | Radiator cap | 1 |
| 4 | A46035025000 | Pre-formed hose radiator left/right | 1 |
| 5 | 0310000902900 | Hose clip 18-29 | 7 |
| 6 | A46035071044 | Y-piece compl. | 1 |
| 9 | 50307000140 | VENT HOSE 6X9 L=140 | 1 |
| 11 | A48035024000 | Pre-formed hose, engine/radiator, right | 1 |
| 12 | A48035023000 | Pre-formed hose, engine/riser | 1 |
| 13 | A46035073033 | Screw-in nozzle | 1 |
| 14 | A46035036044C1 | Radiator protection set, black | 1 |
| 15 | 0024060123 | COLLAR SCREW M6X12 TX | 4 |
| 16 | 0310000903200 | Hose clip 20-32 | 1 |

227953530

58194

* NEW PART

X ON DEMAND



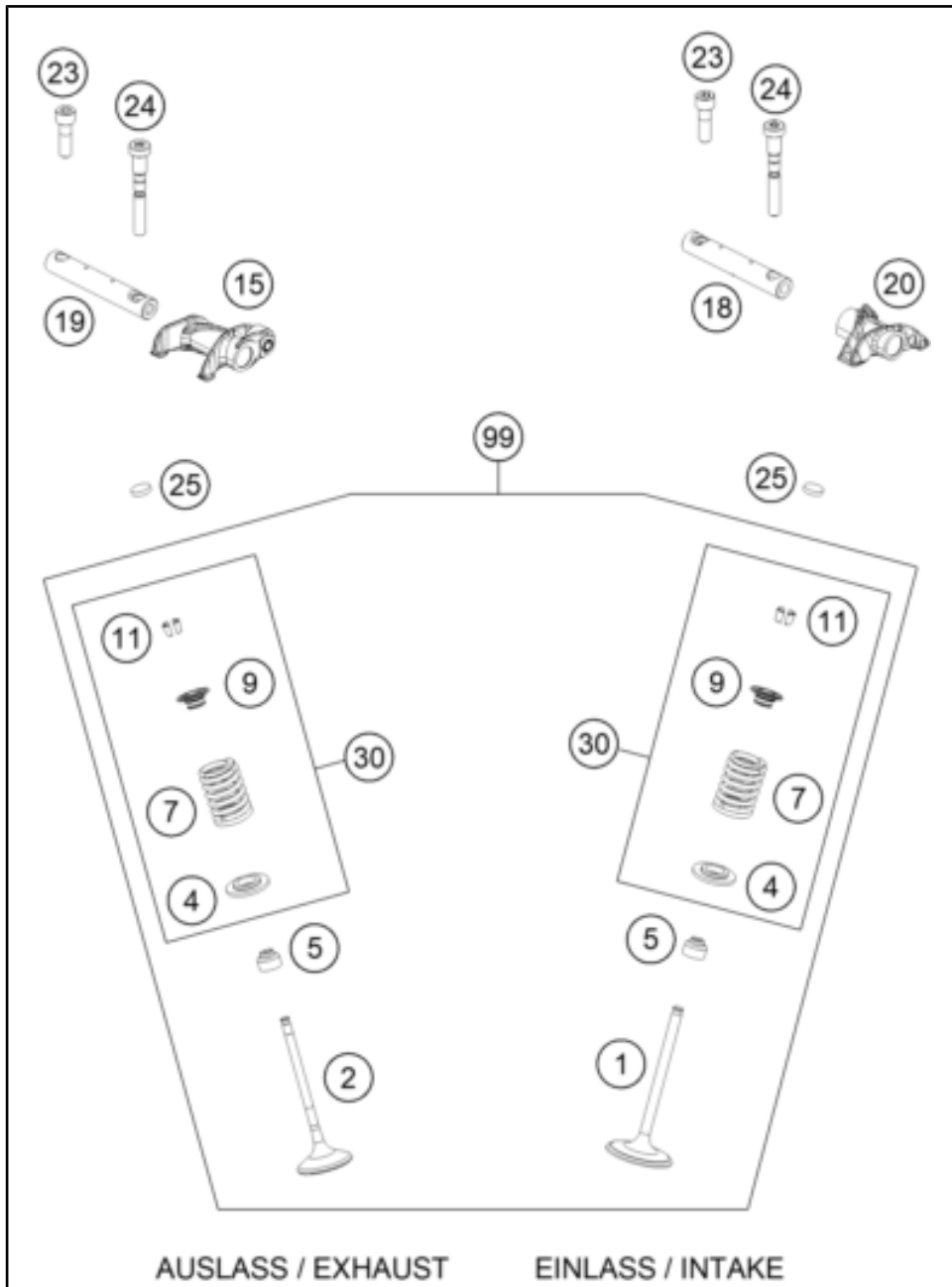
| POS | PARTNUMBER | PARTNAME | PIECE |
|-----|-------------|---------------------------|-------|
| 1 | 79536030000 | Inlet valve | 2 |
| 2 | 79536031000 | Outlet valve | 2 |
| 4 | 79536036100 | Valve spring washer | 4 |
| 5 | 59036027000 | VALVE-STEM SEALING RACING | 4 |
| 7 | 78936028000 | VALVE SPRING | 4 |
| 9 | 79536032100 | Valve spring retainer | 4 |
| 11 | 77336033100 | VALVE COLLET 07 | 8 |
| 15 | 79536061144 | Rocker arm outtake | 1 |
| 18 | 79536056000 | Rocker Arm Shaft Intake | 1 |
| 19 | 79536057000 | exhaust rocker arm shaft | 1 |
| 20 | 79536060100 | Rocker arm intake | 1 |
| 23 | 79536085000 | rocker arm shaft bolt | 2 |
| 24 | 79536084000 | rocker arm shaft bolt | 2 |
| 25 | 77036035172 | SHIM D=8,9/1,72 | x |
| 25 | 77036035180 | SHIM D=8,9/1,80 | x |
| 25 | 77036035188 | SHIM D=8,9/1,88 | x |
| 25 | 77036035196 | SHIM D=8,9/1,96 | x |
| 25 | 77036035204 | SHIM D=8,9/2,04 | x |
| 25 | 77036035212 | SHIM D=8,9/2,12 | x |
| 25 | 77036035220 | SHIM D=8,9/2,20 | x |
| 25 | 77036035228 | SHIM D=8,9/2,28 | x |
| 25 | 77036035236 | SHIM D=8,9/2,36 | x |
| 25 | 77036035244 | SHIM D=8,9/2,44 | x |
| 25 | 77036035252 | SHIM D=8,9/2,52 | x |
| 25 | 77036035260 | SHIM D=8,9/2,60 | x |
| 25 | 77036035176 | SHIM D=8,9/1,76 | x |
| 25 | 77036035184 | SHIM D=8,9/1,84 | x |
| 25 | 77036035192 | SHIM D=8,9/1,92 | x |
| 25 | 77036035200 | SHIM D=8,9/2,00 | x |
| 25 | 77036035208 | SHIM D=8,9/2,08 | x |
| 25 | 77036035216 | SHIM D=8,9/2,16 | x |
| 25 | 77036035224 | SHIM D=8,9/2,24 | x |
| 25 | 77036035232 | SHIM D=8,9/2,32 | x |
| 25 | 77036035240 | SHIM D=8,9/2,40 | x |
| 25 | 77036035248 | SHIM D=8,9/2,48 | x |
| 25 | 77036035256 | SHIM D=8,9/2,56 | x |
| 25 | 77036035201 | shim 8.9 | x |

227953610

58176

* NEW PART

X ON DEMAND

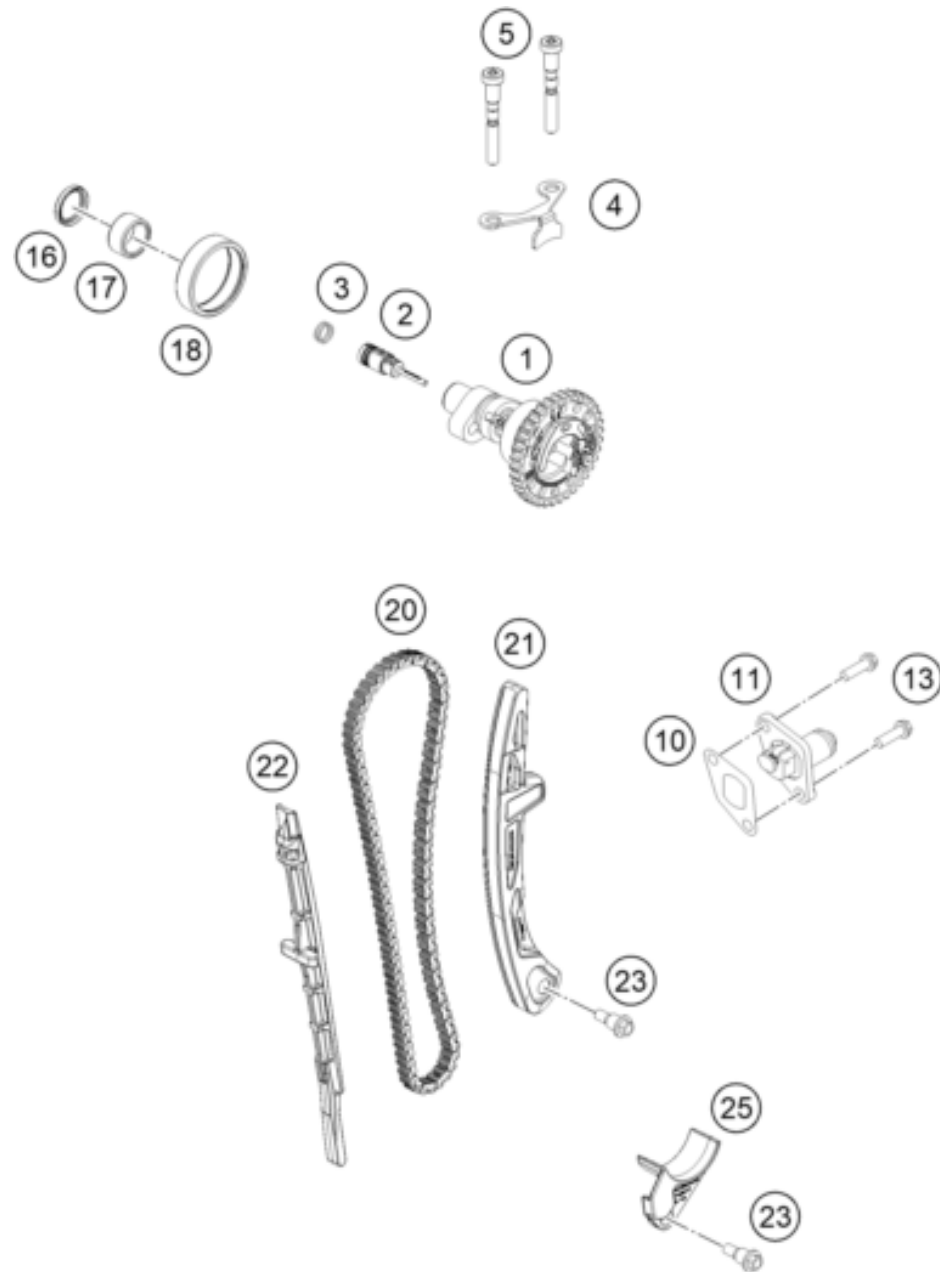


| POS | PARTNUMBER | PARTNAME | PIECE |
|-----|-------------|-----------------------|-------|
| 30 | 79536029010 | Valve springs kit 450 | x |
| 99 | 79536030010 | Valve Kit 450 | x |

227953610

58176

* NEW PART X ON DEMAND



| POS | PARTNUMBER | PARTNAME | PIECE |
|-----|--------------|--------------------------------|-------|
| 1 | A48036010044 | Camshaft, cmpl. with decal | 1 |
| 2 | 79536010010 | Breather centrifuge | 1 |
| 3 | 0770010010 | o-ring 10.00x1.00 NBR70 | 2 |
| 4 | 79536012100 | Camshaft bracket | 1 |
| 5 | 79536084000 | rocker arm shaft bolt | 2 |
| 10 | 59036003150 | GASKET TIMING CHAIN TENSIONER | 1 |
| 11 | 59036003000 | TIMINGCHAIN TENSIONER CPL.RAC. | 1 |
| 13 | 0025060166 | HH collar screw M6x16 TX30 | 2 |
| 16 | 0760182442 | SHAFT SEAL RING 18X24X4 | 1 |
| 17 | 0618182412 | NEEDLE BEAR.HK1812 18/24/12 05 | 1 |
| 18 | 0618404712 | NEEDLE SLEEVE HK4012B40X47X12 | 1 |
| 20 | A46036013000 | Timing chain | 1 |
| 21 | 79536002100 | Slide rail | 1 |
| 22 | 79536001100 | Slide bars | 1 |
| 23 | 77236001160 | BUSHING SCREW M6 | 2 |
| 25 | 79436018000 | FAIL SAFE | 1 |

227953621

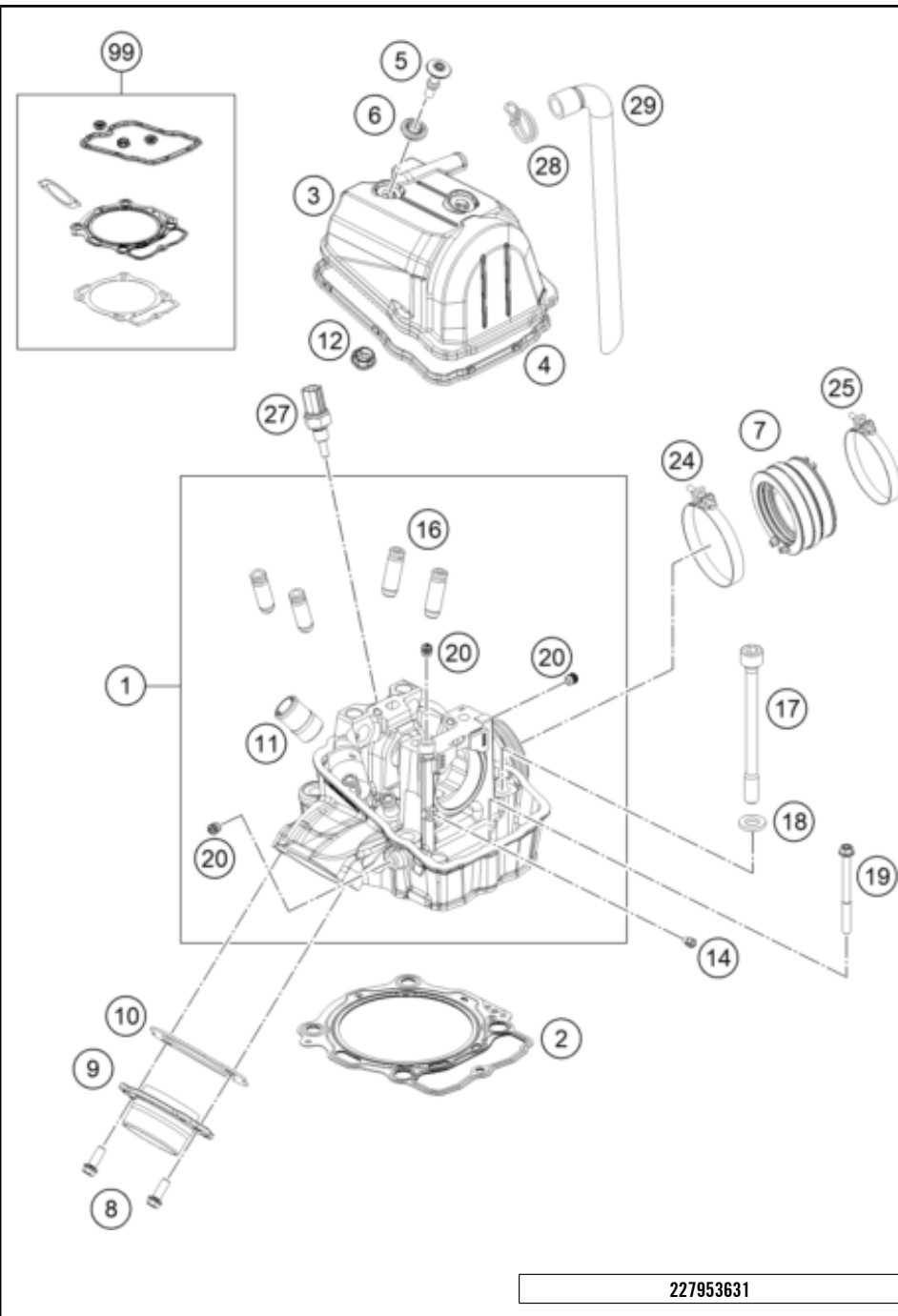
58175

* NEW PART

X ON DEMAND

CYLINDER HEAD

Engine 450 SX-F / XC-F 2023



| POS | PARTNUMBER | PARTNAME | PIECE |
|-----|----------------|-------------------------------|-------|
| 1 | A48036020044 | cylinder head cpl. | 1 |
| 2 | 79430036010 | CYLINDER HEAD GASKET (DN95) | 1 |
| 3 | A48036052000C1 | Valve cover | 1 |
| 4 | A48036053000 | Valve cover seal | 1 |
| 5 | 79136054000 | Valve cover screw | 2 |
| 6 | 79136054050 | Rubber seal for collar screw | 2 |
| 7 | 79536044000 | rubber sleeve | 1 |
| 8 | 0025060166S | HH collar screw M6x16 TX30 SL | 2 |
| 9 | 78136139100 | Exhaust system flange | 1 |
| 10 | 79536041000 | Exhaust gasket | 1 |
| 11 | 58030010200 | SCREW IN NOZZLE M20X1,5 | 1 |
| 12 | 79536053150 | valve cover gasket | 1 |
| 14 | 60030063070 | oil jet 70 M5 | 1 |
| 16 | 79536025001 | Valve Guide intake | 4 |
| 17 | 79530044000 | Cylinder head bolt | 4 |
| 18 | 77336089010 | washer 19x10.5x2.5 | 4 |
| 19 | 0025060756 | HH COLLAR SCREW M6X75 TX30 | 1 |
| 20 | 59030296000 | SCREW PLUG | 3 |
| 24 | 61036047000 | HOSE CLAMP GEMI 63MM 05 | 1 |
| 25 | 77236048000 | HOSE CLAMP GEMI 58MM | 1 |
| 27 | 79435047000 | water temperature sensor | 1 |
| 28 | 58431082300 | CLAMP YDNAC 10173 (18MM) | 1 |
| 29 | 79030087000 | ENGINE BREATHER TUBE | 1 |
| 99 | A48030097000 | gasket kit cylinder MX 450 | x |

227953631

58190

* NEW PART

X ON DEMAND



| POS | PARTNUMBER | PARTNAME | PIECE |
|-----|---------------|--|-------|
| 1 | 77338005100 | OIL FILTER | 1 |
| 2 | 07703305178 | O-RING 33,05X1,78 | 1 |
| 3 | 77338041200 | OIL FILTER COVER O8 | 1 |
| 4 | 0025060166 | HH collar screw M6x16 TX30 | 2 |
| 5 | 0799060000 | TAB WASHER DIN6799-RS 6,0 | 1 |
| 6 | 58038007755 | STOP DISK 8,1 X 15 X 0,5 | 1 |
| 7 | 77038001200 | Oil pump gear | 1 |
| 8 | 0025050146S | Hex coll. screw M5x14 ISA30 self-locking | 2 |
| 9 | A48038003000 | Oil pump cover | 1 |
| 10 | 59038011112 | OILPUMP ROTOR-SET 12MM CPL. | 1 |
| 11 | A48038002000 | Oil pump shaft | 1 |
| 12 | 0402251980 | NEEDLEROL.DIN5402 NRA 2,5X19,8 | 1 |
| 13 | 0402251180 | NEEDLE ROLLER DIN5402 2,5X11,8 | 1 |
| 14 | 0402041580 | needle roller NRB 4x15.8 G2 | 1 |
| 15 | 61238011100 | ROTOR SET 22MM | 1 |
| 16 | 0770440020 | O-RING 44,00X2,00 VITON | 1 |
| 17 | 79238004000 | OIL PUMP COVER LEFT | 1 |
| 18 | 58038022000 | CU-SEAL RING DIN7603-12X18X1,5 | 2 |
| 19 | 58030021100 | oil drain plug with magnet | 1 |
| 20 | 07701250151 | O-RING 12,5X1,5 VITON V75 | 2 |
| 21 | 59038016200 | Oil screen | 1 |
| 22 | 0770020170 | O-RING 17,17X1,78 GLO | 1 |
| 23 | 59038017100 | PLUG M20X1,5 WS=13 | 1 |
| 24 | 0401090003 | BALL DIN5401-9 | 1 |
| 25 | A48038026000 | Compression spring | 1 |
| 26 | 0025050146S | Hex coll. screw M5x14 ISA30 self-locking | 3 |
| 27 | 78036024000 | PLUG SCREW SAS M12X1,5 | 1 |
| 28 | 59030023100 | Dowel, 6x8x11.5 | 1 |
| 29 | 0770012021 | O-RING 12X2 VITON GREEN | 1 |
| 30 | 0900001600200 | Screw plug M16x1.5 | 1 |
| 33 | A48038006033 | Oil pump intermediate gear 31T | 1 |
| 34 | 0988121805 | SHIM WASHER DIN0988-12X18X0,50 | 2 |
| 35 | 0471120010 | retaining ring DIN 471 12x1 | 1 |
| 36 | 77038013100 | BUSHING PIN | 1 |
| 37 | 77238061050 | AXIAL-CIRCLIP | 1 |
| 38 | 0018050103S | Oval head screw DIN 7985-M5x10-8.8 | 1 |
| 99 | 79438015010 | OILFILTER SERVICEKIT SX-F | x |

227953810

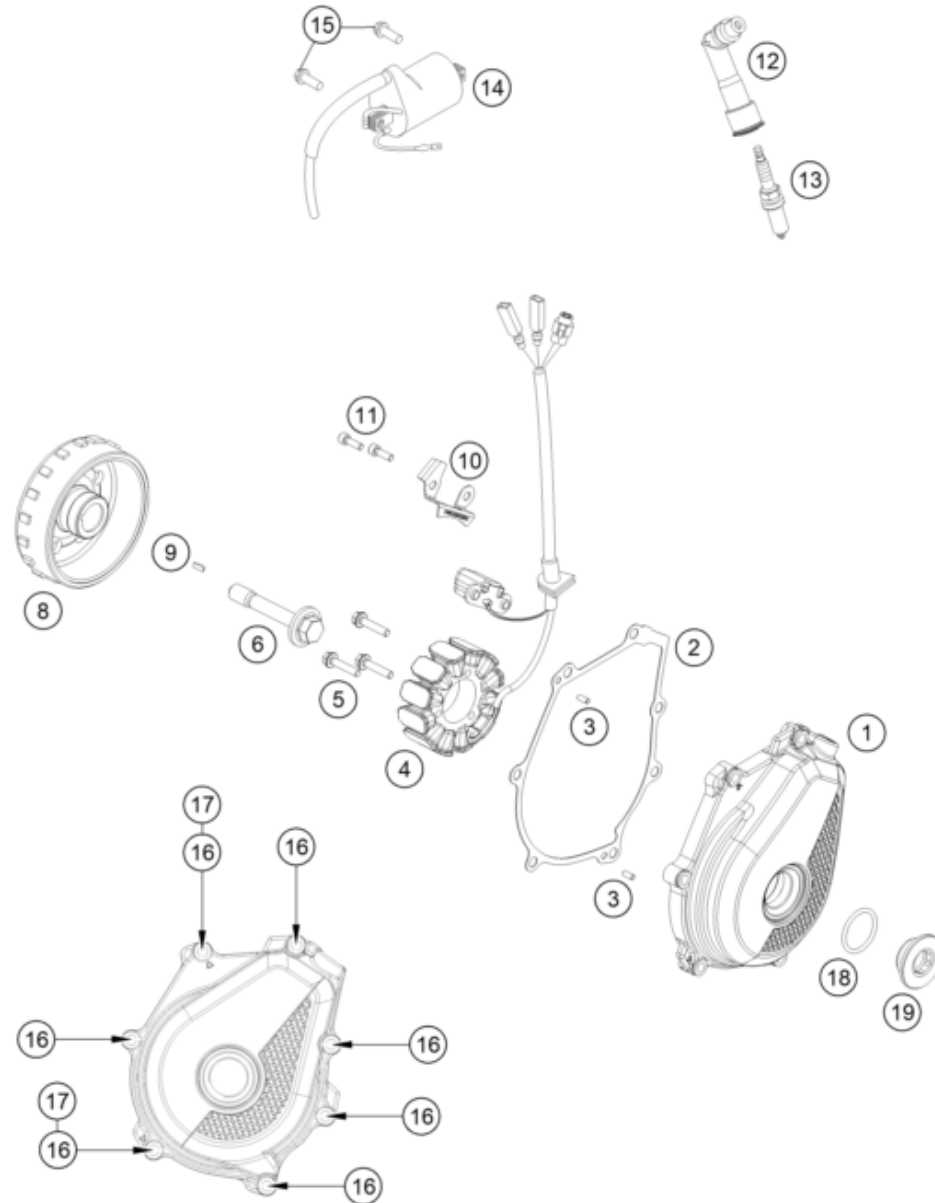
58168

* NEW PART

X ON DEMAND

IGNITION SYSTEM

Engine 450 SX-F / XC-F 2023



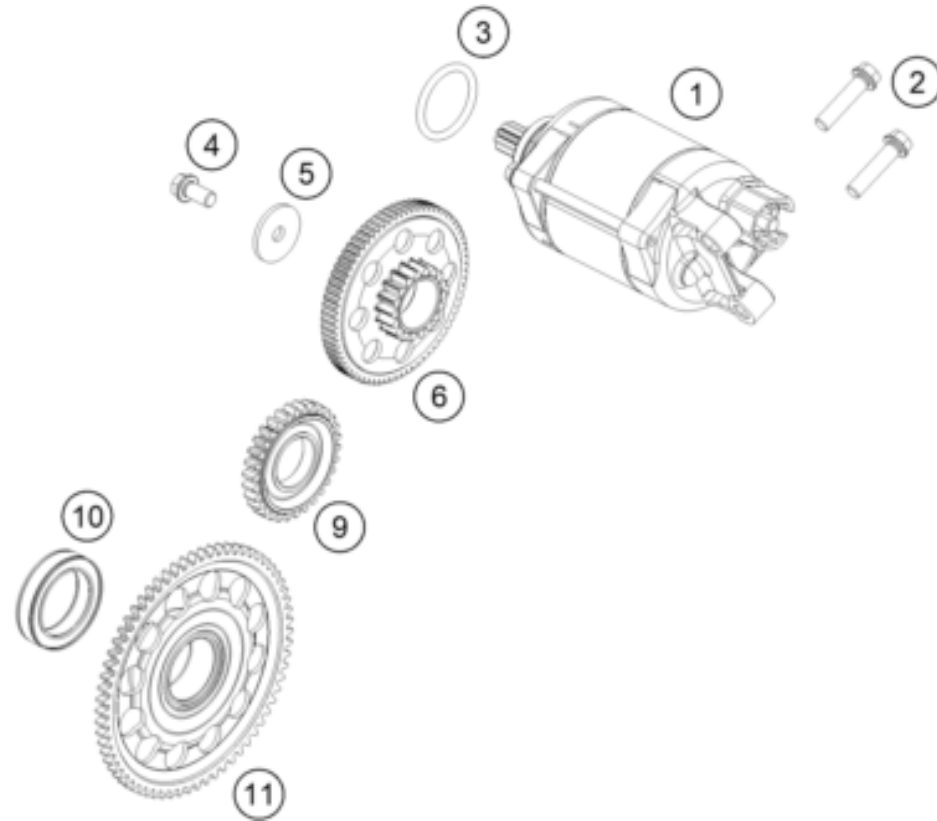
| POS | PARTNUMBER | PARTNAME | PIECE |
|-----|----------------|-------------------------------------|-------|
| 1 | A48030002000C1 | Ignition cover | 1 |
| 2 | A48030040000 | Ignition cover gasket | 1 |
| 3 | 0402040980 | NEEDLE ROL.DIN5402 NRB 4X9,8 | 2 |
| 4 | 79239004200 | Stator | 1 |
| 5 | 0012050253S | Bolt DIN 6912 - M5x25 SS | 3 |
| 6 | 77339010100 | FLYWHEEL SCREW | 1 |
| 8 | 79439005100 | Rotor | 1 |
| 9 | 0888030037 | WOODRUFF KEY DIN6888-3X3,7 | 1 |
| 10 | A46030002050 | Cable retainer | 1 |
| 11 | 0912050163S | Cap head screw DIN912 - M5x16 - 8.8 | 2 |
| 12 | 79539090000 | Spark plug connector | 1 |
| 13 | 77839093000 | spark plug | 1 |
| 14 | 58439006000 | IGNITIONCOIL IG3826 KOKUSAN'96 | 1 |
| 15 | 0026060186 | COLLAR SCREW M6X18 ISA30 | 2 |
| 16 | 0025060256 | HH collar screw M6x25 TX30 | 7 |
| 17 | 0603061001 | CU-SEAL RING DIN7603-6X10X1 | 2 |
| 18 | 07700240251 | o-ring 24.00x2.50 Viton | 1 |
| 19 | 7723000216030 | SCREW PLUG M24X1,5 | 1 |

227953910

58188

* NEW PART

X ON DEMAND



| POS | PARTNUMBER | PARTNAME | PIECE |
|-----|--------------|--|-------|
| 1 | 79440001000 | E-STARTER CPL. 0,5KW | 1 |
| 2 | 0025060256 | HH collar screw M6x25 TX30 | 2 |
| 3 | 0770250030 | O-RING 25,00X3,00 NBR 70 | 1 |
| 4 | 0025060126S | Hex collar screw M6x12 ISA30 self-lockin | 1 |
| 5 | 78040016004 | STOP DISC 6X23X2 | 1 |
| 6 | 79540016000 | Torque limiter cml. | 1 |
| 9 | A48040022030 | E. starter idler gear 30 teeth | 1 |
| 10 | 75040026000 | FREE WHEEL | 1 |
| 11 | 79440020133 | freewheel gear cpl. | 1 |

227954010

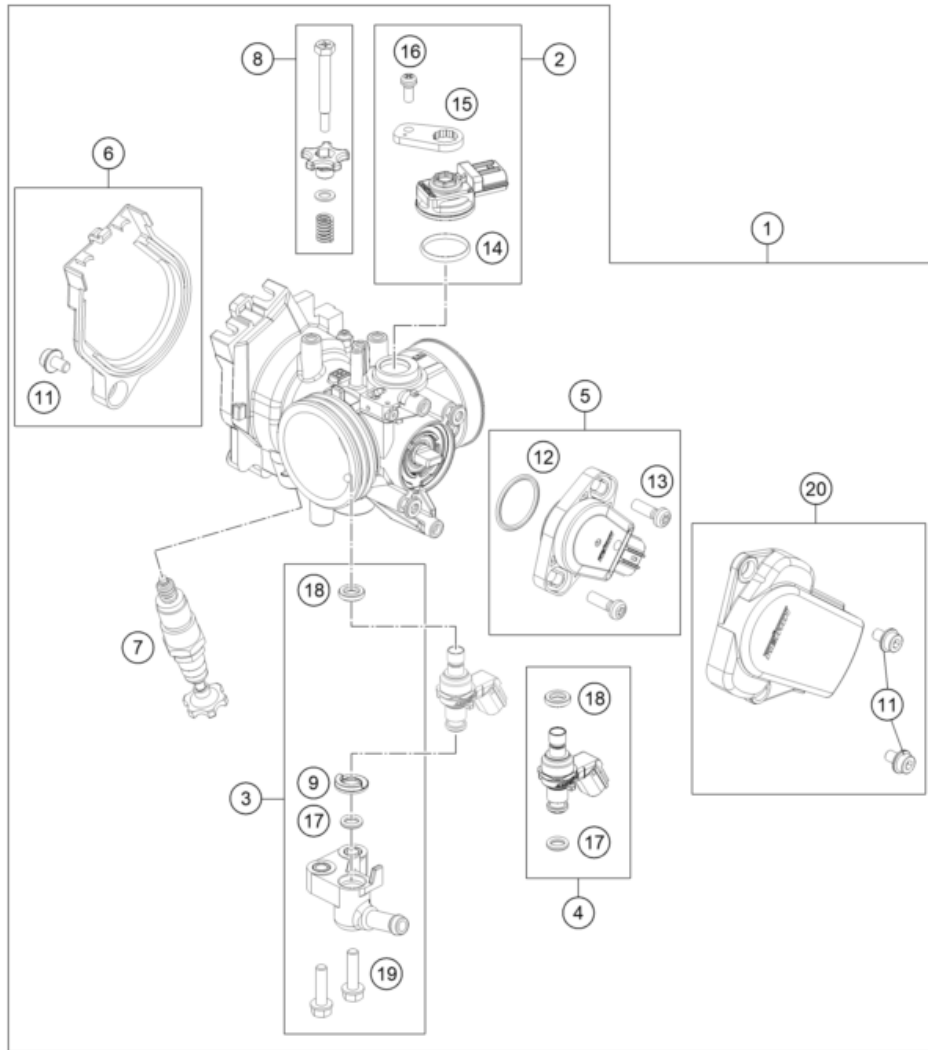
58189

* NEW PART

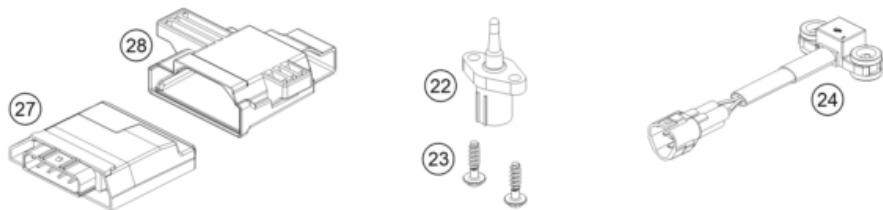
X ON DEMAND

THROTTLE BODY

Engine 450 SX-F / XC-F 2023



| POS | PARTNUMBER | PARTNAME | PIECE |
|-----|--------------|--------------------------------|-------|
| 1 | A46041001000 | Throttle body | 1 |
| 2 | 77741085044 | MAP SENSOR CPL. | 1 |
| 3 | 79041013044 | FUEL PIPE CPL. | 1 |
| 4 | 79041023144 | Injector cmpl. | 1 |
| 5 | 79041077044 | TPS CPL. | 1 |
| 6 | 79141056044 | DKK Cover cpl. | 1 |
| 7 | 79041070000 | STARTER VALVE CPL. | 1 |
| 8 | 77741060044 | IDLING ADJUSTING SCREW CPL. | 1 |
| 9 | 79041023030 | SEAL RING | 1 |
| 11 | 79041056020 | SPECIAL SCREW | 3 |
| 12 | 75041077110 | O-RING | 1 |
| 13 | 61041077020 | SCREW THROTTLE POS. SENSOR | 2 |
| 14 | 75041085010 | O-RING | 1 |
| 15 | 77741085020 | PLATE | 1 |
| 16 | 81241085030 | SPECIAL SCREW | 1 |
| 17 | 60341023020 | O-RING | 1 |
| 18 | 75041023010 | SEAL RING | 1 |
| 19 | 79041013060 | SPECIAL SCREW M5X20 | 2 |
| 20 | 79141078044 | TPS Cover cpl. | 1 |
| 22 | 61041080000 | AMBIENT-AIR TEMPERATURE SENSOR | 1 |
| 23 | 0081050181 | SCREW FOR PLASTIC K50X18 T20 | 2 |
| 24 | A46041088000 | Roll-over sensor | 1 |
| 27 | 79641031000 | ENGINE CONTROL UNIT EFI | 1 |
| 28 | A46041031050 | ECU rubber strap | 1 |



227954110

58204

* NEW PART

X ON DEMAND

A large, empty rectangular box with a thin black border, occupying most of the page. It is intended for the user to write notes related to the engine specifications mentioned in the header.

A large, empty rectangular box with a thin black border, occupying the majority of the page. It is intended for the user to write notes related to the engine specifications mentioned in the header.

KTM.COM



089570WEN

KTM Sportmotorcycle GmbH
5230 Mattighofen, Austria
www.ktm.com

KTM POWERPARTS

KTM POWERWEAR

KTM ORIGINAL SPARE PARTS



Art. Nr.: 089570WEN 10. Mär. 2022