

OWNER'S MANUAL 2015

WWW.KTM.COM

690 Enduro R EU
690 Enduro R AU

Art. no. 3213263en



KTM

DEAR KTM CUSTOMER

Congratulations on your decision to purchase a KTM motorcycle. You are now the owner of a state-of-the-art sports motorcycle that will give you enormous pleasure if you service and maintain it accordingly.

We wish you a lot of enjoyment in riding this vehicle.

Enter the serial numbers of your vehicle below.

Chassis number (☛ p. 20)	Dealer's stamp
Engine number (☛ p. 21)	
Key number (☛ p. 21)	

The Owner's Manual contained the latest information for this model series at the time of going to print. Minor differences due to developments in design cannot be ruled out completely.

All specifications are non-binding. KTM Motorrad AG specifically reserves the right to modify or delete technical specifications, prices, colors, forms, materials, services, designs, equipment, etc., without prior notice and without specifying reasons, to adapt these to local conditions, as well as to stop production of a particular model without prior notice. KTM accepts no liability for delivery options, deviations from illustrations and descriptions, misprints, and other errors. The models portrayed partly contain special equipment that does not belong to the regular scope of supply.

© 2014 KTM Motorrad AG, Mattighofen Austria

All rights reserved

Reproduction, even in part, as well as copying of all kinds, is permitted only with the express written permission of the copyright owner.

DEAR KTM CUSTOMER



ISO 9001(12 100 6061)

According to the international quality management standard ISO 9001, KTM uses quality assurance processes that lead to the maximum possible quality of the products.

Issued by: TÜV Management Service

REG.NO. 12 100 6061

KTM Motorrad AG

5230 Mattighofen, Austria

TABLE OF CONTENTS

1	MEANS OF REPRESENTATION	7	5.6	Shock absorber part number	22
	1.1 Symbols used	7	6	CONTROLS.....	23
	1.2 Formats used.....	7	6.1	Clutch lever.....	23
2	SAFETY ADVICE.....	8	6.2	Hand brake lever.....	23
	2.1 Use definition - intended use	8	6.3	Throttle grip	24
	2.2 Safety advice.....	8	6.4	Horn button.....	24
	2.3 Degrees of risk and symbols	9	6.5	Light switch	25
	2.4 Tampering warning.....	9	6.6	Turn signal switch.....	25
	2.5 Safe operation	10	6.7	Emergency OFF switch	26
	2.6 Protective clothing	11	6.8	Electric starter button.....	26
	2.7 Work rules	11	6.9	Ignition/steering lock.....	27
	2.8 Environment.....	11	6.10	Combination instrument	27
	2.9 Owner's Manual	12	6.10.1	Combination instrument overview	27
3	IMPORTANT NOTES.....	13	6.10.2	Function buttons	28
	3.1 Guarantee, warranty	13	6.10.3	Tachometer	28
	3.2 Operating and auxiliary substances	13	6.10.4	Indicator lamps	29
	3.3 Spare parts, accessories	13	6.10.5	Display	30
	3.4 Service	13	6.10.6	Speed display.....	31
	3.5 Figures	14	6.10.7	Setting kilometers or miles	31
	3.6 Customer service.....	14	6.10.8	Time.....	32
4	VIEW OF VEHICLE	16	6.10.9	Setting the clock	32
	4.1 View of vehicle, front left side (example)	16	6.10.10	ODO display	33
	4.2 View of vehicle, rear right side (example).....	18	6.10.11	Setting/resetting display TRIP 1	33
5	SERIAL NUMBERS	20	6.10.12	Setting/resetting display TRIP 2	34
	5.1 Chassis number	20	6.10.13	TRIP F display.....	35
	5.2 Type label	20	6.10.14	GEAR display	35
	5.3 Key number.....	21	6.10.15	Coolant temperature indicator	36
	5.4 Engine number	21	6.11	Opening the filler cap.....	36
	5.5 Fork part number	22	6.12	Closing filler cap.....	37






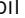
TABLE OF CONTENTS

6.13	Seat release	38	10.6	Adjusting the high-speed compression damping of the shock absorber	65
6.14	Handrails	38	10.7	Adjusting the rebound damping of the shock absorber.....	66
6.15	Passenger footrests	39	10.8	Measuring the unloaded rear wheel sag	67
6.16	Shift lever	39	10.9	Checking the static sag of the shock absorber	68
6.17	Foot brake lever	40	10.10	Checking the riding sag of the shock absorber.....	69
6.18	Side stand.....	41	10.11	Adjusting the spring preload of the shock absorber 🖐.....	69
7	PREPARING FOR USE.....	42	10.12	Adjusting the riding sag 🖐.....	71
7.1	Advice on first use	42	10.13	Handlebar position	72
7.2	Running in the engine	43	10.14	Adjusting handlebar position 🖐.....	72
7.3	Loading the vehicle	44	11	SERVICE WORK ON THE CHASSIS.....	74
8	RIDING INSTRUCTIONS.....	46	11.1	Raising the motorcycle with the lift stand	74
8.1	Performing checks and vehicle care when preparing for use.....	46	11.2	Removing the motorcycle from the lift stand	74
8.2	Starting.....	47	11.3	Cleaning the dust boots of the fork legs.....	75
8.3	Starting off.....	49	11.4	Loosening the fork protection	76
8.4	Shifting, riding	49	11.5	Positioning the fork protector	77
8.5	Braking.....	52	11.6	Checking the steering head bearing play.....	77
8.6	Stopping, parking.....	54	11.7	Adjusting the play of the steering head bearing 🖐.....	78
8.7	Transport	55	11.8	Removing the seat	80
8.8	Refueling	56	11.9	Mounting the seat	80
9	SERVICE SCHEDULE	59	11.10	Removing the air filter 🖐.....	81
9.1	Service schedule.....	59	11.11	Installing the air filter 🖐.....	82
10	TUNING THE CHASSIS	62	11.12	Checking the chain for dirt.....	83
10.1	Fork/shock absorber	62	11.13	Cleaning the chain	83
10.2	Adjusting the compression damping of the fork.....	62	11.14	Checking the chain tension	84
10.3	Adjusting the rebound damping of the fork	63	11.15	Adjusting the chain tension.....	86
10.4	Compression damping of the shock absorber.....	64			
10.5	Adjusting the low-speed compression damping of the shock absorber.....	64			

TABLE OF CONTENTS

11.16	Checking the chain, rear sprocket, engine sprocket, and chain guide.....	87	13.6	Checking the tire condition	122
11.17	Adjusting chain guide 🛠.....	92	13.7	Checking the tire air pressure.....	123
11.18	Adjusting basic position of clutch lever	93	13.8	Checking the spoke tension.....	124
11.19	Checking/rectifying the fluid level of the hydraulic clutch.....	93	14	ELECTRICAL SYSTEM	126
11.20	Removing the engine guard	94	14.1	Removing the battery 🛠.....	126
11.21	Installing the engine guard	95	14.2	Installing the battery 🛠.....	128
12	BRAKE SYSTEM	96	14.3	Recharging the battery 🛠.....	130
12.1	ABS/antilock brake system.....	96	14.4	Changing the main fuse.....	133
12.2	Adjusting the basic position of the hand brake lever	97	14.5	Changing the ABS fuses	134
12.3	Checking the brake discs	98	14.6	Changing fuses of individual power consumers....	136
12.4	Checking brake fluid level of front brake	99	14.7	Removing the headlight mask with the headlight.....	138
12.5	Topping up brake fluid of front brake. 🛠.....	100	14.8	Installing the headlight mask with the headlight.....	139
12.6	Checking the front brake linings	101	14.9	Changing the headlight bulb	140
12.7	Changing the front brake linings 🛠.....	102	14.10	Changing the parking light bulb.....	142
12.8	Checking the free travel of foot brake lever	105	14.11	Changing the turn signal bulb	143
12.9	Adjusting the basic position of the foot brake lever 🛠.....	106	14.12	Checking the headlight setting	145
12.10	Checking rear brake fluid level	107	14.13	Adjusting the headlight range.....	145
12.11	Adding rear brake fluid 🛠.....	108	15	COOLING SYSTEM	147
12.12	Checking the rear brake linings	110	15.1	Cooling system	147
12.13	Changing the rear brake linings 🛠.....	110	15.2	Checking the antifreeze and coolant level.....	147
13	WHEELS, TIRES	114	15.3	Checking the coolant level	149
13.1	Removing the front wheel 🛠.....	114	15.4	Draining the coolant 🛠.....	150
13.2	Installing the front wheel 🛠.....	115	15.5	Filling/bleeding the cooling system 🛠.....	151
13.3	Removing rear wheel 🛠.....	117	16	TUNING THE ENGINE.....	154
13.4	Installing the rear wheel 🛠.....	118	16.1	Adjusting the engine characteristic	154
13.5	Checking the rear hub rubber dampers 🛠.....	120	16.2	Checking the basic position of the shift lever	155
			16.3	Adjusting the basic position of the shift lever 🛠.....	155

TABLE OF CONTENTS

17	SERVICE WORK ON THE ENGINE	157	22.7	Fork.....	189
17.1	Checking the engine oil level.....	157	22.8	Shock absorber	190
17.2	Changing the engine oil and filter, cleaning the oil screens 	158	22.9	Chassis tightening torques	191
17.3	Draining the engine oil 	158	23	SUBSTANCES	195
17.4	Removing the oil filter 	159	24	AUXILIARY SUBSTANCES	198
17.5	Cleaning the oil screens 	161	25	STANDARDS	200
17.6	Installing the oil filter 	163	INDEX.....		201
17.7	Filling up with engine oil 	163			
17.8	Adding engine oil	164			
18	CLEANING, CARE	166			
18.1	Cleaning the motorcycle	166			
18.2	Checks and maintenance steps for winter operation.....	168			
19	STORAGE.....	170			
19.1	Storage	170			
19.2	Preparing for use after storage.....	171			
20	TROUBLESHOOTING	172			
21	FLASH CODE.....	175			
22	TECHNICAL DATA.....	181			
22.1	Engine.....	181			
22.2	Engine tightening torques	182			
22.3	Capacities	185			
22.3.1	Engine oil	185			
22.3.2	Coolant	186			
22.3.3	Fuel	186			
22.4	Chassis	186			
22.5	Electrical system.....	188			
22.6	Tires.....	189			

1 MEANS OF REPRESENTATION

1.1 Symbols used

The meaning of specific symbols is described below.



Indicates an expected reaction (e.g. of a work step or a function).



Indicates an unexpected reaction (e.g. of a work step or a function).



All work marked with this symbol requires specialist knowledge and technical understanding. In the interest of your own safety, have these jobs performed by an authorized KTM workshop. There, your motorcycle will be optimally cared for by specially trained experts using the specialist tools required.



Indicates a page reference (more information is provided on the specified page).

1.2 Formats used

The typographical formats used in this document are explained below.

Specific name Identifies a proprietary name.

Name® Identifies a protected name.

Brand™ Identifies a brand available on the open market.

2.1 Use definition - intended use

KTM sport motorcycles are designed and constructed to meet the normal demands of regular road and light offroad operation (dirt roads), but not for use on race courses.



Info

The motorcycle is only authorized for operation on public roads in the homologated version.

2.2 Safety advice

A number of safety instructions need to be followed to operate the vehicle safely. Therefore, read this manual carefully. The safety instructions are highlighted in the text and are referred to at the relevant passages.



Info

The vehicle has various information and warning labels at prominent locations. Do not remove information/warning labels. If they are missing, you or others may not recognize dangers and may therefore be injured.

2.3 Degrees of risk and symbols

**Danger**

Indicates a danger that will immediately and invariably lead to fatal or serious permanent injury if the appropriate measures are not taken.

**Warning**

Indicates a danger that is likely to lead to fatal or serious injury if the appropriate measures are not taken.

**Caution**

Indicates a danger that may lead to minor injuries if the appropriate measures are not taken.

Note

Indicates a danger that will lead to considerable machine and material damage if the appropriate measures are not taken.

**Warning**

Indicates a danger that will lead to environmental damage if the appropriate measures are not taken.

2.4 Tampering warning

Tampering with the noise control system is prohibited. Federal law prohibits the following acts or the causing thereof:

- 1 The removal or rendering inoperative by any person other than for purposes of maintenance, repair, or replacement, of any device or element of design incorporated into any new vehicle for the purpose of noise control prior to its sale or delivery to the ultimate purchaser or while it is in use, or
- 2 the use of the vehicle after such device or element of design has been removed or rendered inoperative by any person.

Among those acts presumed to constitute tampering are the acts listed below:

- 1 Removal or puncturing of the main silencer, baffles, header pipes or any other components which conduct exhaust gases.
- 2 Removal or puncturing of parts of the intake system.
- 3 Lack of proper maintenance.
- 4 Replacing moving part of the vehicle, or parts of the exhaust or intake system, with parts other than those specified by the manufacturer.

2.5 Safe operation



Danger

Danger of accidents Danger arising from the rider's judgement being impaired.

- Do not operate the vehicle while under the influence of alcohol, drugs and certain medications or physically or mentally impaired.



Danger

Danger of poisoning Exhaust gases are toxic and inhaling them may result in unconsciousness and/or death.

- When running the engine, always make sure there is sufficient ventilation, and do not start or run the engine in an enclosed space without an effective exhaust extraction system.



Warning

Danger of burns Some vehicle components become very hot when the vehicle is operated.

- Do not touch hot components such as exhaust system, radiator, engine, shock absorber, and the brake system. Allow these components to cool down before starting work on them.

Only operate the vehicle when it is in perfect technical condition, in accordance with its intended use, and in a safe and environmentally compatible manner.

An appropriate driver's license is needed to ride the vehicle on public roads.

Have malfunctions that impair safety promptly eliminated by an authorized KTM workshop.

Adhere to the information and warning labels on the vehicle.

2.6 Protective clothing



Warning

Risk of injury Missing or poor protective clothing presents an increased safety risk.

- Wear protective clothing (helmet, boots, gloves, pants and jacket with protectors) every time you ride the vehicle. Always wear protective clothing that is in good condition and meets the legal requirements.

In the interest of your own safety, KTM recommends that you only operate the vehicle while wearing protective clothing.

2.7 Work rules

Special tools are necessary for certain tasks. The tools are not contained in the vehicle but can be ordered under the number in parentheses. E.g.: bearing puller (15112017000)

During assembly, non-reusable parts (e.g. self-locking screws and nuts, seals and seal rings, O-rings, pins, lock washers) must be replaced by new parts.

In some instances, a thread locker (e.g. **Loctite**®) is required. The manufacturer instructions for use must be followed.

After disassembly, clean the parts that are to be reused and check them for damage and wear. Change damaged or worn parts.

After you complete the repair or service work, check the operating safety of the vehicle.

2.8 Environment

If you use your motorcycle responsibly, you can ensure that problems and conflicts do not occur. To protect the future of the motorcycle sport, make sure that you use your motorcycle legally, display environmental consciousness, and respect the rights of others.

When disposing of used oil, other operating and auxiliary fluids, and used components, comply with the laws and regulations of the respective country.

Because motorcycles are not subject to the EU regulations governing the disposal of used vehicles, there are no legal regulations that pertain to the disposal of an end-of-life motorcycle. Your authorized KTM dealer will be glad to advise you.

2.9 Owner's Manual

It is important that you read this Owner's Manual carefully and completely before making your first trip. The Owner's Manual contains useful information and many tips on how to operate, handle, and maintain your motorcycle. Only then will you find out how to customize the vehicle ideally for your own use and how you can protect yourself from injury.

Keep the Owner's Manual in an accessible place to enable you to refer to it as needed.

If you would like to know more about the vehicle or have questions on the material you read, please contact an authorized KTM dealer.

The Owner's Manual is an important component of the vehicle and should be handed over to the new owner if the vehicle is sold.

3.1 Guarantee, warranty

The work prescribed in the service schedule must be carried out by an authorized KTM workshop only and confirmed in the customer's Service & Warranty Booklet and in the **KTM Dealer.net**; otherwise, all warranty claims will be void. No warranty claims can be considered for damage resulting from manipulations and/or alterations to the vehicle.

Additional information on the guarantee or warranty and the procedures involved can be found in the Service & Warranty Booklet.

3.2 Operating and auxiliary substances



Warning

Environmental hazard Improper handling of fuel is a danger to the environment.

- Do not allow fuel to get into the ground water, the ground, or the sewage system.

Use operating and auxiliary substances (such as fuel and lubricants) as specified in the Owner's Manual.

3.3 Spare parts, accessories

For your own safety, only use spare parts and accessory products that are approved and/or recommended by KTM and have them installed by an authorized KTM workshop. KTM accepts no liability for other products and any resulting damage or loss.

Certain spare parts and accessory products are specified in parentheses in the descriptions. Your authorized KTM dealer will be glad to advise you.

The current **KTM PowerParts** for your vehicle can be found on the KTM website.

International KTM Website: <http://www.ktm.com>

3.4 Service

A prerequisite for perfect operation and prevention of premature wear is that the service, care, and tuning work on the engine and chassis is properly carried out as described in the Owner's Manual. Incorrect adjustment and tuning of the engine and chassis can lead to damage and breakage of components.

Use of the vehicle under difficult conditions, such in rain, high heat or with a heavy load, can lead to considerably more rapid wear of components such as the drive train, brake system, or suspension components. For this reason, it may be necessary to inspect or replace parts before the next scheduled service.

It is imperative that you adhere to the stipulated run-in times and service intervals. If you observe these exactly, you will ensure a much longer service life for your motorcycle.

3.5 Figures

The figures contained in the manual may depict special equipment.

In the interest of clarity, some components may be shown disassembled or may not be shown at all. It is not always necessary to disassemble the component to perform the activity in question. Please follow the instructions in the text.

3.6 Customer service

Your authorized KTM dealer will be happy to answer any questions you may have on your vehicle and KTM.

A list of authorized KTM dealers can be found on the KTM website.

International KTM Website: <http://www.ktm.com>

4 VIEW OF VEHICLE

4.1 View of vehicle, front left side (example)



4 VIEW OF VEHICLE

1	Hand brake lever (☛ p. 23)
2	Clutch lever (☛ p. 23)
3	Handrails (☛ p. 38)
4	Filler cap
5	Engine number (☛ p. 21)
6	Shift lever (☛ p. 39)
7	Side stand (☛ p. 41)
8	Seat release (☛ p. 38)
9	Passenger footrests (☛ p. 39)

4 VIEW OF VEHICLE

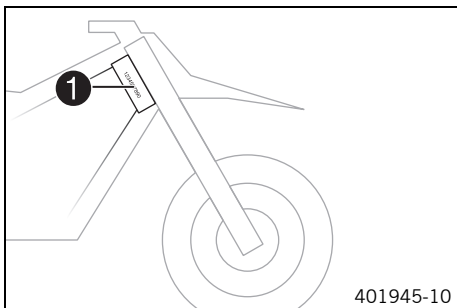
4.2 View of vehicle, rear right side (example)



4 VIEW OF VEHICLE

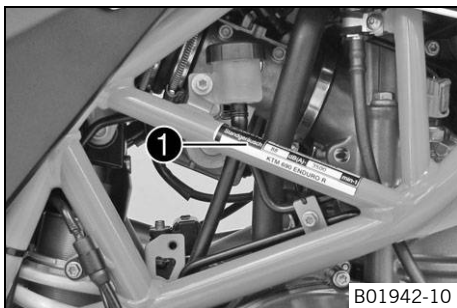
1	Light switch (☛ p. 25)
1	Turn signal switch (☛ p. 25)
1	Horn button (☛ p. 24)
2	Ignition/steering lock (☛ p. 27)
3	Function buttons (☛ p. 28)
3	Indicator lamps (☛ p. 29)
4	Emergency OFF switch (☛ p. 26)
4	Electric starter button (☛ p. 26)
5	Throttle grip (☛ p. 24)
6	Foot brake lever (☛ p. 40)
7	Level viewer, engine oil
8	Type label (☛ p. 20)
9	Chassis number (☛ p. 20)

5.1 Chassis number



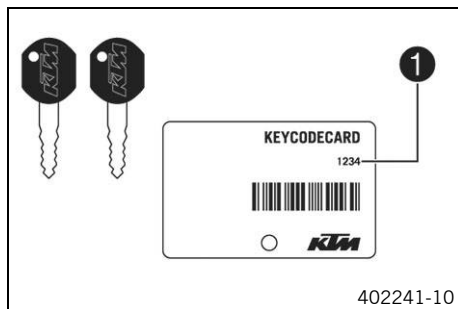
The chassis number ❶ is stamped on the steering head on the right.

5.2 Type label



The type label ❶ is located on the right side of the frame.

5.3 Key number



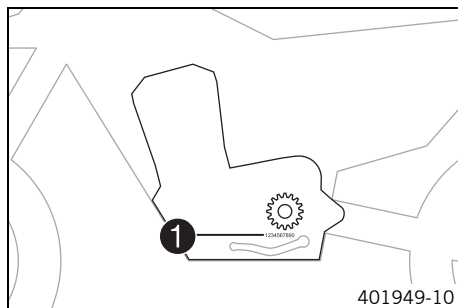
The key number **1** can be found on the **KEYCODECARD**.



Info

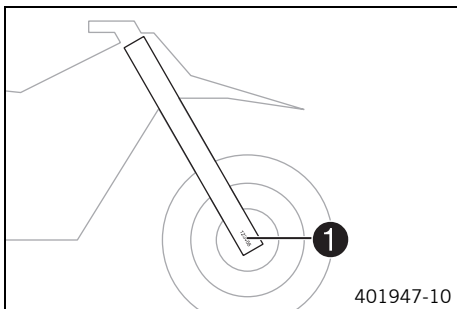
You need the key number to order a spare key. Keep the **KEYCODECARD** in a safe place.

5.4 Engine number



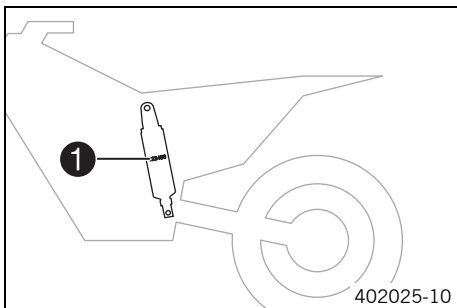
The engine number **1** is stamped on the left side of the engine under the engine sprocket.

5.5 Fork part number



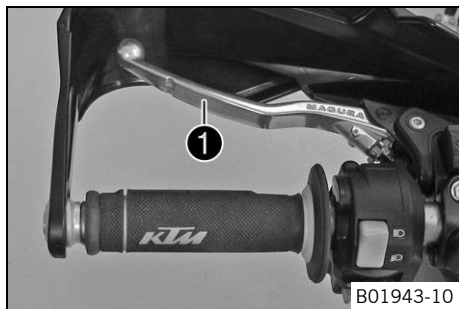
The fork part number ❶ is stamped on the inner side of the fork stub.

5.6 Shock absorber part number



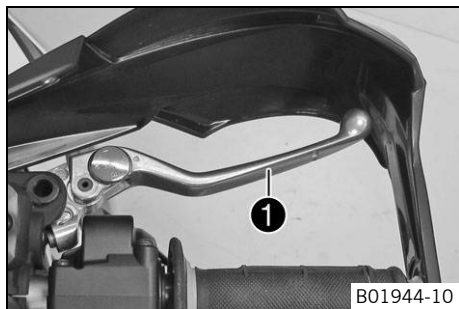
The shock absorber part number ❶ is on the left of the shock absorber.

6.1 Clutch lever



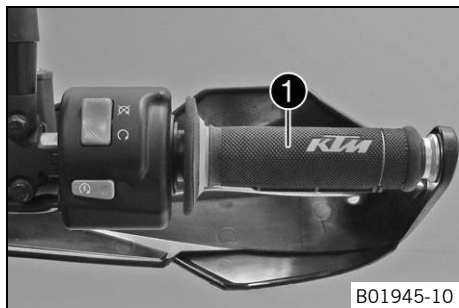
The clutch lever ❶ is fitted on the left side of the handlebar.
The clutch is hydraulically operated and self-adjusting.

6.2 Hand brake lever



The hand break lever ❶ is fitted on the right side of the handlebar.
The hand brake lever operates the front brake.

6.3 Throttle grip





The throttle grip ❶ is fitted on the right side of the handlebar.

6.4 Horn button



The horn button ❶ is fitted on the left side of the handlebar.

Possible states



- Horn button  in neutral position
- Horn button  pressed – The horn is operated in this position.

6.5 Light switch



The light switch ❶ is fitted on the left side of the handlebar.

Possible states



	Low beam on – Light switch is turned downward. In this position, the low beam and tail light are switched on.
	High beam on – Light switch is turned upward. In this position, the high beam and tail light are switched on.

6.6 Turn signal switch



The turn signal switch ❶ is fitted on the left side of the handlebar.

Possible states

	Turn signal off
	Turn signal light, left, on – Turn signal switch pressed to the left. The turn signal switch returns automatically to the central position after use.
	Turn signal light, right, on – Turn signal switch pressed to the right. The turn signal switch returns automatically to the central position after use.

To switch off the turn signal light, press the turn signal switch towards the switch case.



6.7 Emergency OFF switch



B01947-10

The emergency OFF switch ❶ is fitted on the right side of the handlebar.

Possible states

	Emergency OFF switch off – In this position, the ignition circuit is interrupted, a running engine stops, and the engine cannot be started.
	Emergency OFF switch on – This position is necessary for operation as the ignition circuit is closed.

6.8 Electric starter button



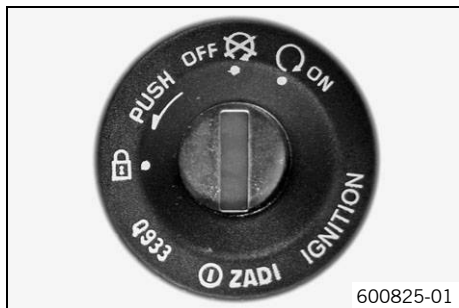
B01947-11

The electric starter button ❶ is fitted on the right side of the handlebar.

Possible states

- Electric starter button ❸ in basic position
- Electric starter button ❸ pressed – In this position, the electric starter is actuated.

6.9 Ignition/steering lock



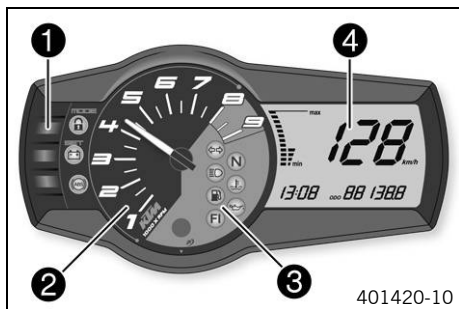
The ignition/steering lock ❶ is located in front of the seat.

Possible states

	<p>Ignition OFF – In this position, the ignition circuit is interrupted, a running engine stops, and a non-running engine will not start. The ignition key can be removed.</p>
	<p>Ignition ON – In this position, the ignition circuit is closed and the engine can be started.</p>
	<p>Steering locked – In this position, the ignition circuit is interrupted and the steering locked. The ignition key can be removed.</p>

6.10 Combination instrument

6.10.1 Combination instrument overview

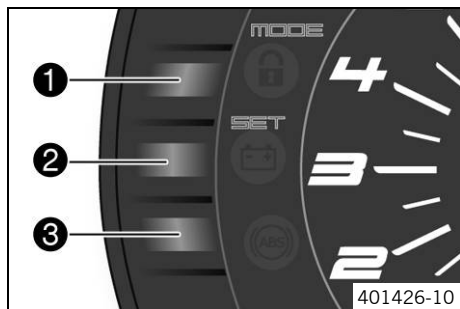


The combination instrument is installed in front of the handlebar.

The combination instrument is divided into 4 function areas.

- ❶ Function buttons (☞ p. 28)
- ❷ Tachometer (☞ p. 28)
- ❸ Indicator lamps (☞ p. 29)
- ❹ Display (☞ p. 30)

6.10.2 Function buttons



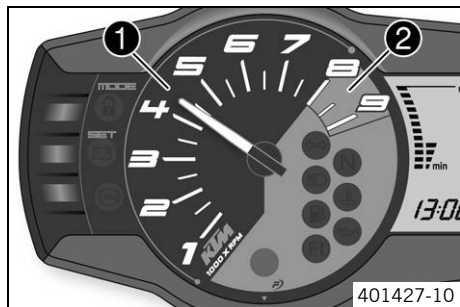
You can change the display mode with the **MODE** button ❶.

Possible display modes are distance traveled (**ODO**), trip master 1 (**TRIP 1**) and trip master 2 (**TRIP 2**).

Press the **SET** button ❷ to reset the trip master 1 function (**TRIP 1**) and trip master 2 function (**TRIP 2**) to **0.0**.

The ABS can be switched off using button ❸.

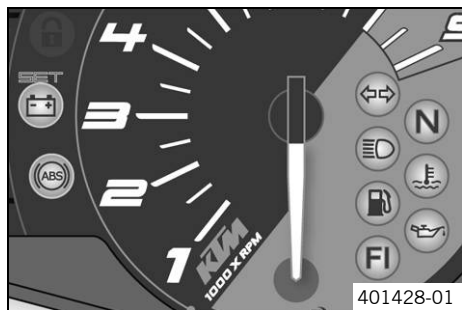
6.10.3 Tachometer



The tachometer ❶ shows the engine speed in revolutions per minute.

The red marking ❷ shows the excess speed range of the engine.

6.10.4 Indicator lamps

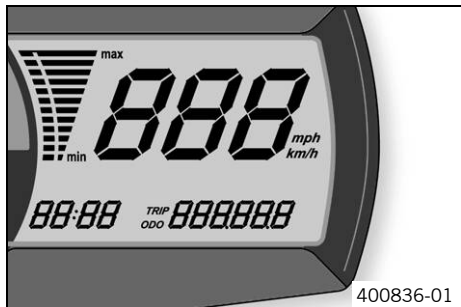


The indicator lamps offer additional information about the operating state of the motorcycle.

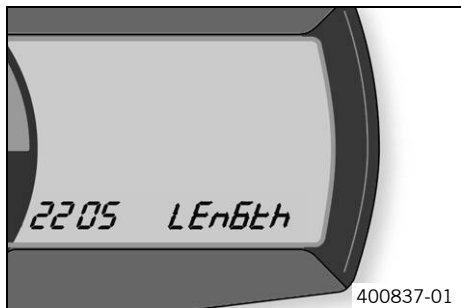
Possible states

	The turn signal indicator light flashes green simultaneously with the turn signals – Turn signal light is switched on.
	The idling speed indicator lamp lights up green – The transmission is switched to idle.
	High beam indicator lamp lights up blue – High beam is switched on.
	Temperature warning lamp lights up red – Coolant temperature has reached a critical value.
	Low fuel warning lamp lights up orange – Fuel level has reached the reserve mark. Display switched to TRIP F .
	The oil pressure warning lamp lights up red – The oil pressure is too low.
	FI warning lamp (MIL) lights up/flashes orange – The OBD (onboard diagnosis) has identified an emissions- or safety-critical fault.
	The battery warning lamp lights up red – The voltage in the vehicle system is too low.
	The ABS warning lamp lights up/flashes orange – Status or error messages relating to ABS (antilock brake system).

6.10.5 Display



When the ignition is switched on, all display segments light up for one second as a function check.



LEnGth

After the display function check, the wheel circumference **LEnGth** is displayed for one second.



Info

2205 mm equals the circumference of the 21" front wheel with a series production tire.

The display then changes to the last selected mode.

6.10.6 Speed display



The speed **1** is shown in kilometers per hour **km/h** or in miles per hour **mph**.

6.10.7 Setting kilometers or miles

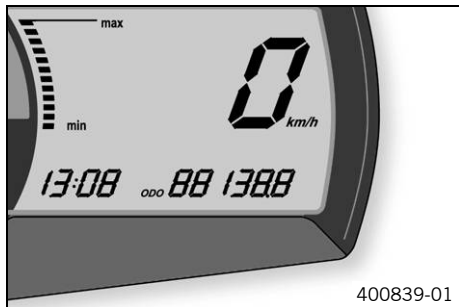



Info

If you change the unit, the value is retained and converted accordingly.
Making the setting according to the country.

Condition

The motorcycle is stationary.



- Switch on the ignition by turning the ignition key to position **ON** .
- Press the **MODE** button repeatedly until the **ODO** mode is active.
- Keep the **MODE** button pressed until the display mode changes from **km/h** to **mph** or from **mph** to **km/h**.

Guideline

Activation duration of MODE button	10 s
---	------

6.10.8 Time



The time is shown in area **1** of the display.



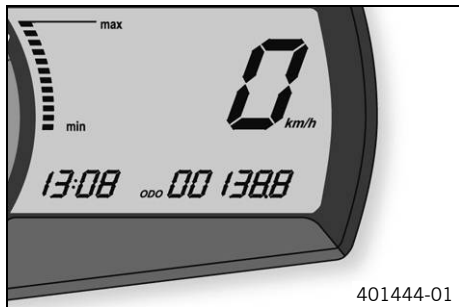
Info


After reconnecting the battery or changing the fuse, the time must be reset.

6.10.9 Setting the clock

Condition

The motorcycle is stationary.



- Switch on the ignition by turning the ignition key to position **ON** .
- Press the **MODE** button repeatedly until the **ODO** mode is active.
- Keep the **MODE** button and the **SET** button pressed simultaneously.
 - ✓ The time display begins to flash.
- Press the **MODE** button to set the hour.
- Press the **SET** button to set the minute.
- Keep the **MODE** button and the **SET** button pressed simultaneously.
 - ✓ The time is set.

6.10.10 ODO display



In the **ODO** display mode, the total distance traveled is shown in kilometers or miles.



Info

This value is retained, even if the battery is disconnected and/or the fuse blows.

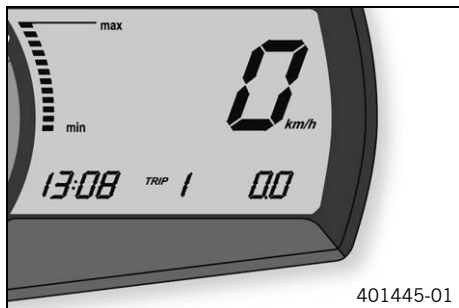
6.10.11 Setting/resetting display TRIP 1




Info

The **TRIP 1** trip counter runs constantly and counts up to **999.9**.

The trip counter can be used to measure the distance covered during trips or between two refueling stops. After the value **999.9** is reached, the trip counter starts at **0.0** again.



- Switch on the ignition by turning the ignition key to position **ON** .
- Press the **MODE** button repeatedly until the **TRIP 1** mode is active.
- Keep the **SET** button pressed.
- ✓ The **TRIP 1** display is set to **0.0**.

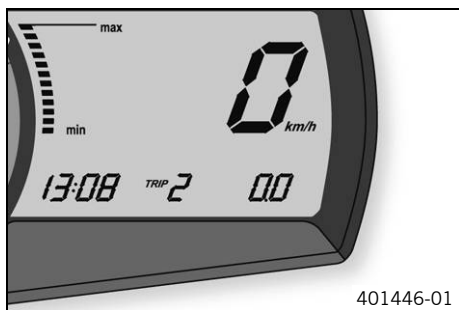
6.10.12 Setting/resetting display TRIP 2




Info

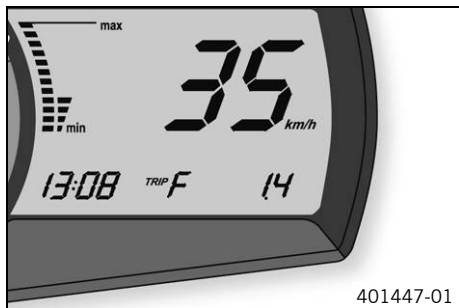
The **TRIP 2** trip counter runs constantly and counts up to **999.9**.

The trip counter can be used to measure the distance covered during trips or between two refueling stops. After the value **999.9** is reached, the trip counter starts at **0.0** again.



- Switch on the ignition by turning the ignition key to position **ON** .
- Press the **MODE** button repeatedly until the **TRIP 2** mode is active.
- Keep the **SET** button pressed.
- ✓ The **TRIP 2** display is set to **0.0**.

6.10.13 TRIP F display



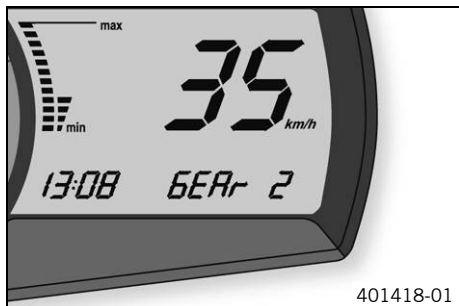
If the fuel level drops to the reserve mark, the display automatically changes to **TRIP F** and starts to count from **0.0**, regardless of the previous display mode.



Info

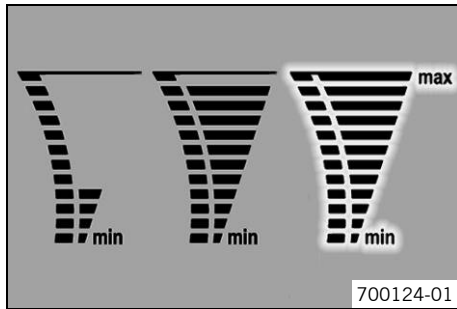
The low fuel warning lamp lights up in parallel to the **TRIP F** display.

6.10.14 GEAR display



In display mode **GEAR**, the gear currently engaged is displayed.

6.10.15 Coolant temperature indicator



The temperature display consists of 12 bars. The more bars that light up, the hotter the coolant. When the upper bar lights up, all bars in the display begin to flash and the temperature warning lamp lights up.

Possible states

- Engine cold – Up to four bars light up.
- Engine warm – Five to eleven bars light up.
- Engine hot – All twelve bars flash.

6.11 Opening the filler cap



Danger

Fire hazard Fuel is highly flammable.

- Never refuel the vehicle near open flames or burning cigarettes, and always switch off the engine first. Be careful that no fuel is spilt, especially on hot vehicle components. Clean up spilt fuel immediately.
- The fuel in the fuel tank expands when warm and may emerge if overfilled. Follow the instructions on refueling.



Warning

Danger of poisoning Fuel is poisonous and a health hazard.

- Fuel must not come into contact with the skin, eyes, or clothing. Do not breathe in the fuel vapors. If contact occurs with the eyes, rinse with water immediately and contact a physician. Immediately clean contaminated areas on the skin with soap and water. If fuel is swallowed, contact a physician immediately. Change clothing that is contaminated with fuel. Store fuel properly in a suitable canister and keep away from children.



Warning

Environmental hazard Improper handling of fuel is a danger to the environment.

- Do not allow fuel to get into the ground water, the ground, or the sewage system.



- Lift the cover of filler cap ① and insert the ignition key.
- Turn the ignition key 90° counterclockwise and remove the filler cap.



Info

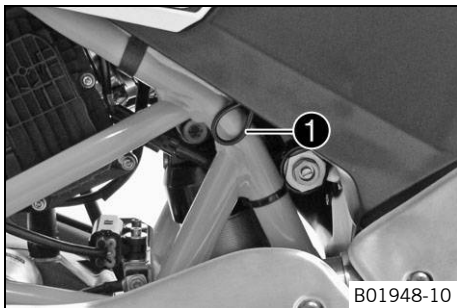
The filler cap has a fuel tank breather.

6.12 Closing filler cap



- Put the filler cap back on and turn the ignition key 90° clockwise.
- Remove the ignition key and fold down the cover.

6.13 Seat release



The seat can be released using strap **1**.

6.14 Handrails



The handrails **1** are used for moving the motorcycle around.
When you have a passenger, the passenger can hold on the handrails during the journey.

6.15 Passenger footrests

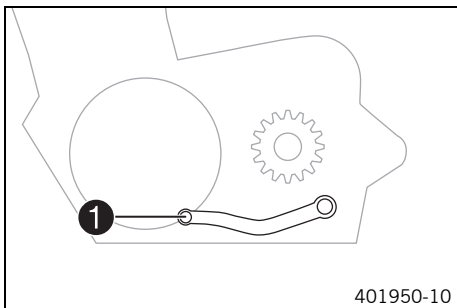


The passenger footrests can be folded up and down.

Possible states

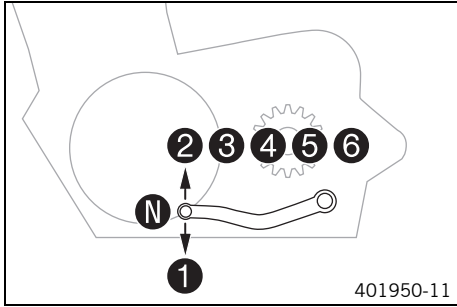
- Passenger footrests folded up – For operation without a passenger.
- Passenger footrests folded down – For operation with a passenger.

6.16 Shift lever



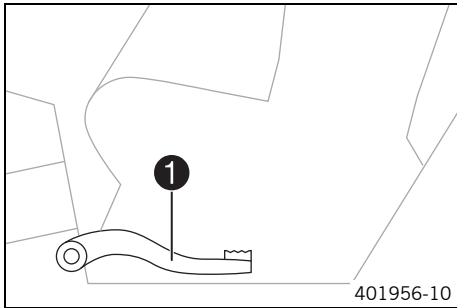
The shift lever **1** is mounted on the left side of the engine.

6 CONTROLS



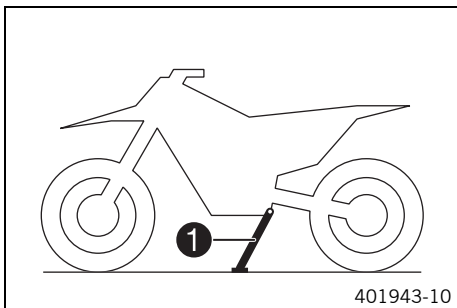
The gear positions can be seen in the photograph.
The neutral or idle position is between the first and second gears.

6.17 Foot brake lever



Foot brake lever ① is located in front of the right footrest.
The rear brake is engaged with the foot brake lever.

6.18 Side stand



The side stand ❶ is located on the left side of the vehicle.
The side stand is used for parking the motorcycle.



Info

The side stand must be folded up during motorcycle use.
The side stand is coupled with the safety starting system – see the riding instructions.

Possible states

- Side stand folded out – The vehicle can be supported on the side stand. The safety starting system is active.
- Side stand folded in – This position is mandatory when riding the motorcycle. The safety starting system is inactive.

7.1 Advice on first use



Danger

Danger of accidents Danger arising from the rider's judgement being impaired.

- Do not operate the vehicle while under the influence of alcohol, drugs and certain medications or physically or mentally impaired.



Warning

Risk of injury Missing or poor protective clothing presents an increased safety risk.

- Wear protective clothing (helmet, boots, gloves, pants and jacket with protectors) every time you ride the vehicle. Always wear protective clothing that is in good condition and meets the legal requirements.



Warning

Danger of crashing Poor vehicle handling due to different tire tread patterns on front and rear wheels.

- The front and rear wheels must be fitted with tires with similar tread patterns to prevent loss of control over the vehicle.



Warning

Danger of accidents Uncontrollable handling characteristic due to non-approved and/or non-recommended tires/wheels.

- Only tires/wheels approved by KTM and with the corresponding speed index should be used.



Warning

Danger of accidents Reduced road grip with new tires.

- New tires have a smooth rolling surface and therefore cannot provide full road grip. The entire rolling surface must be roughened in the first 200 kilometers (124.3 miles) by moderate riding at alternating angles. The full grip levels are not achieved until the tires have been run in.



Warning

Danger of accidents Failure of brake system.

- If the foot brake lever is not released, the brake linings drag continuously. The rear brake may fail due to overheating. Take your foot off the foot brake lever when you are not braking.
-
-



Info

When using your vehicle, remember that others may feel disturbed by excessive noise.

- Make sure that the pre-delivery inspection work has been carried out by an authorized KTM workshop. You receive a delivery certificate and the service record at vehicle handover.
- Before your first trip, read the entire operating instructions carefully.
- Get to know the controls.
- adjust the basic position of clutch lever. (☛ p. 93)
- Adjust the free travel of the hand brake lever.
- Adjust the basic position of the foot brake lever. ☛ (☛ p. 106)
- Get used to handling the motorcycle on a suitable piece of land before making a longer trip. Try also to ride as slowly as possible and in a standing position to get a better feeling for the vehicle.
- Do not make any offroad trips that over-stress your ability and experience.
- Hold the handlebar firmly with both hands and keep your feet on the footrests when riding.
- Run the engine in. (☛ p. 43)

7.2 Running in the engine

- During the running-in phase, do not exceed the specified engine speed.

Guideline

Maximum engine speed	
During the first: 1,000 km (620 mi)	6,000 rpm
After the first: 1,000 km (620 mi)	7,800 rpm

- Avoid fully opening the throttle!

7.3 Loading the vehicle



Warning

Danger of accidents Unstable handling characteristics.

- Do not exceed the maximum permitted weight and axle loads. The overall weight consists of: motorcycle operational and with a full tank, driver and passenger with protective clothing and helmet, baggage.



Warning

Danger of accidents Unstable handling characteristics due to incorrect mounting of suitcase and/or tank rucksack.

- Mount and secure suitcase and tank rucksack according to the manufacturer's instructions.



Warning

Danger of accidents Unstable handling characteristics at high speed.

- Adapt your speed according to your payload. Ride more slowly if your motorcycle is loaded with cases or other baggage.
Maximum speed with baggage 130 km/h (80.8 mph)



Warning

Danger of accidents Risk of breakage of suitcase system.

- If you have fitted suitcases on your motorcycle, read the manufacturer's specifications concerning the maximum payload.

7 PREPARING FOR USE



Warning

Danger of accidents Poor visibility for other road users due to slipped baggage.

- If the tail light is covered, you are less visible to traffic behind you, especially in the dark. Check that your baggage is fixed properly at regular intervals.



Warning

Danger of accidents Changed handling characteristics and longer stopping distance with excessive payload.

- Adapt your speed according to your payload.



Warning

Danger of accidents Unstable handling characteristics due to slipped baggage.

- Check the way your baggage is fixed regularly.



Warning

Danger of burns A hot exhaust system can burn baggage.

- Fasten your baggage in such a way that it cannot be burned or singed by the hot exhaust system.

-
- If you carry any baggage, make sure it is fixed firmly as close as possible to the center of the vehicle and ensure even weight distribution between the front and rear wheels.
 - Do not exceed the overall maximum permitted weight and the axle loads.

Guideline

Maximum permissible overall weight	350 kg (772 lb.)
Maximum permissible front axle load	150 kg (331 lb.)
Maximum permissible rear axle load	200 kg (441 lb.)

8.1 Performing checks and vehicle care when preparing for use




Info


Before each use, check the state and roadworthiness of the vehicle.
Make sure that the vehicle is in perfect technical condition before use.

- Check the engine oil level. (☞ p. 157)
- Check the brake fluid level of the front brake. (☞ p. 99)
- Check the rear brake fluid level. (☞ p. 107)
- Check the front brake linings. (☞ p. 101)
- Check the rear brake linings. (☞ p. 110)
- Check the brake system function.
- Check the coolant level. (☞ p. 149)
- Check the chain for dirt. (☞ p. 83)
- Check the chain tension. (☞ p. 84)
- Check the tire condition. (☞ p. 122)
- Check the tire air pressure. (☞ p. 123)
- Check the settings of all controls and ensure that they can be operated smoothly.
- Check that the electrical equipment is functioning correctly.
- Check that baggage is correctly secured.
- Sit on the motorcycle and check the rear mirror setting.
- Check the fuel level.

8.2 Starting

 **Danger**
Danger of poisoning Exhaust gases are toxic and inhaling them may result in unconsciousness and/or death.

- When running the engine, always make sure there is sufficient ventilation, and do not start or run the engine in an enclosed space without an effective exhaust extraction system.

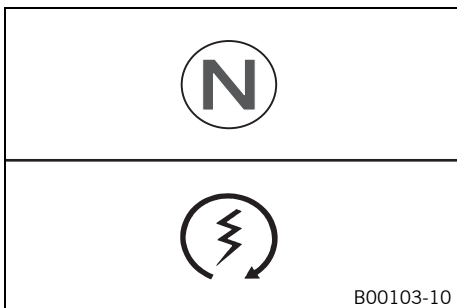
 **Caution**
Danger of accidents If the vehicle is operated with a discharged battery or without a battery, electronic components and safety equipment may be damaged.




- Never operate the vehicle with a discharged battery or without a battery.

Note

Engine failure High engine speeds in cold engines have a negative effect on the service life of the engine.

- Always warm up the engine at low engine speeds.



- Turn the emergency OFF switch to the position .
- Switch on the ignition by turning the ignition key to position **ON** .
- ✓ After you switch on the ignition, you can hear the fuel pump working for about two seconds. The function check of the combination instrument is run at the same time.
- ✓ The ABS warning lamp lights up and goes back out after starting off.
- Shift gear to neutral.
- ✓ The green idling speed indicator lamp **N** lights up.
- Press the electric starter button .

i Info

Do not press the electric starter button until the combination instrument function check is finished.

When starting, **DO NOT** open the throttle. If you open the throttle during the starting procedure, fuel is not injected by the engine management system and the engine cannot start.

Press the starter for a maximum of 5 seconds. Wait for at least 5 seconds before trying again.

This motorcycle is equipped with a safety starting system. You can only start the engine if the transmission is in neutral or if the clutch lever is pulled when a gear is engaged. If the side stand is folded out and you shift into gear and release the clutch lever, the engine stops.

- Take the weight off the side stand and swing it back up with your foot as far as it will go.

Switching off ABS

KTM recommends riding with ABS at all times. However, situations may arise in which ABS is not advantageous.

Condition

Vehicle stationary, engine running.

- Press the **1** button for 3 - 5 seconds.
 - ✓ The ABS warning lamp starts flashing; ABS is deactivated.



8.3 Starting off

- Pull the clutch lever, engage 1st gear, release the clutch lever slowly and simultaneously open the throttle carefully.

8.4 Shifting, riding



Warning

Danger of accidents Abrupt load alterations can cause the vehicle to get out of control.

- Avoid abrupt load alterations and sudden braking actions, and adapt your speed to the road conditions.



Warning

Danger of accidents If you change down at high engine speed, the rear wheel can lock up.

- Do not change into a low gear at high engine speed. The engine races and the rear wheel can lock up.



Warning

Danger of accidents Malfunctions caused by incorrect ignition key position.

- Do not change the ignition key position during a journey.



Warning

Danger of accidents Distraction from traffic activity by adjustments to the vehicle.

- Make all adjustments when the vehicle is at a standstill.



Warning

Risk of injury Falling off of the passenger.

- The passenger must be seated properly on the passenger seat and hold on to the front rider or the grab handles. The feet must be positioned on the passenger footrests. Note the regulations governing the minimum age of passengers.



Warning

Danger of accidents Danger of accidents caused by dangerous driving.

- Comply with traffic regulations and ride defensively and foresightedly to detect sources of danger early on.



Warning

Danger of accidents Reduced road grip with cold tires.

- On every journey, take the first miles carefully at moderate speed until the tires reach operating temperature and optimal road grip is ensured.



Warning

Danger of accidents Reduced road grip with new tires.

- New tires have a smooth rolling surface and therefore cannot provide full road grip. The entire rolling surface must be roughened in the first 200 kilometers (124.3 miles) by moderate riding at alternating angles. The full grip levels are not achieved until the tires have been run in.



Warning

Danger of accidents Unstable handling characteristics.

- Do not exceed the maximum permitted weight and axle loads. The overall weight consists of: motorcycle operational and with a full tank, driver and passenger with protective clothing and helmet, baggage.



Warning

Danger of accidents Unstable handling characteristics due to slipped baggage.

- Check the way your baggage is fixed regularly.



Warning

Danger of accidents Lack of roadworthiness.

- After a fall, check the vehicle as usual before preparing for use.

Note

Engine failure Unfiltered intake air has a negative effect on the service life of the engine.

- Never operate the vehicle without an air filter as dust and dirt will enter the engine and lead to increased wear.

Note

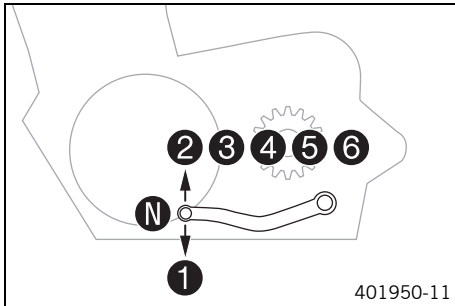
Engine failure Overheating of engine.

- If the coolant temperature warning lamp lights up, stop and switch off the engine. Allow the engine to cool down and check the coolant level in the radiator, and top up if necessary. If you continue with the coolant temperature warning lamp alight, you may have engine failure.



Info

If unusual noises arise during operation, stop immediately, park the vehicle properly, and contact an authorized KTM workshop.



- When conditions allow (incline, road situation, etc.), you can shift into a higher gear.
- Release the throttle while simultaneously pulling the clutch lever, shift into the next gear, release the clutch and open the throttle.



Info

You can see the positions of the 6 forward gears in the figure. The neutral or idle position is between the first and second gears. First gear is used for starting off or for steep inclines.

The operating temperature is reached when 5 bars of the temperature indicator light up.

- After reaching maximum speed by fully opening the throttle grip, turn the throttle back so it is $\frac{3}{4}$ open. This will barely reduce the speed but fuel consumption will be considerably lower.
- Accelerate only up to a speed suitable for the road surface and weather conditions. When traveling in bends, do not shift, and accelerate very carefully.
- To shift down, brake if necessary and close the throttle at the same time.
- Pull the clutch lever and shift into a lower gear, release the clutch lever slowly and open the throttle or shift again.

- If the engine stalls (e.g. at a crossroads), just pull the clutch lever and press the electric starter button. You do not have to shift into neutral.
- Switch off the engine if you expect to be standing for a long time.
- Avoid frequent and longer slipping of the clutch. This heats the engine oil, the engine and the cooling system.
- Ride with a lower engine speed instead of with a high engine speed and a slipping clutch.
- If the **FI** warning lamp (**MIL**) lights up during a trip, stop immediately. When you shift to neutral, the **FI** warning lamp (**MIL**) starts to flash.



Info

From the flashing rhythm, you can derive a two-digit number, the so-called blink code. The blink code tells you which component has a fault.

8.5 Braking



Warning

Danger of accidents Reduced braking efficiency due to a wet or dirty brake system.

- Clean or dry a dirty or wet brake system by riding and braking gently.



Warning

Danger of accidents Reduced braking efficiency caused by spongy pressure point of front or rear brake.

- Check the brake system and do not continue riding. (Your authorized KTM workshop will be glad to help.)



Warning

Danger of accidents Failure of brake system.

- If the foot brake lever is not released, the brake linings drag continuously. The rear brake may fail due to overheating. Take your foot off the foot brake lever when you are not braking.

**Warning**

Danger of accidents Longer stopping distance due to higher overall weight.

- Take the longer stopping distance into account when carrying a passenger and baggage.

**Warning**

Danger of accidents Delayed brake action on salted roads.

- There may be salt deposits on the brake discs. In order to restore the normal braking efficiency, you will need to remove the deposits from the discs by carefully applying the brakes.

**Warning**

Danger of accidents Greater stopping distance due to ABS.

- Braking should be appropriate to the driving situation and the road conditions.

**Warning**

Danger of accidents Excessively forceful braking can cause the wheels to block.

- ABS must be switched on to be effective.

**Warning**

Danger of accidents Locking of the wheels due to braking action of the engine.

- Pull the clutch during emergency braking, full brake application and when braking on a slippery surface.

-
- To brake, release the throttle and operate the front and rear brakes simultaneously.

**Info**

When ABS is enabled, you can achieve maximum braking power even on low grip surfaces such as sandy, wet, or slippery terrain without locking of the wheels.



Warning

Danger of accidents Road grip is reduced when braking with the motorcycle at an angle or on a laterally inclined surface.

- Braking should be completed before you enter into a bend.

- Braking should always be completed before you go into a bend. Change down to a lower gear appropriate to your road speed.
- On long downhill stretches, use the braking effect of the engine. Change down one or two gears, but do not overrev the engine. As a result, you will have to apply the brakes far less frequently and the brake system will not overheat.

8.6 Stopping, parking



Warning

Risk of misappropriation Usage by unauthorized persons.

- Never leave the vehicle while the engine is running. Secure the vehicle against use by unauthorized persons. If you leave the vehicle, lock the steering and remove the ignition key.



Warning

Danger of burns Some vehicle components become very hot when the vehicle is operated.

- Do not touch hot components such as exhaust system, radiator, engine, shock absorber, and the brake system. Allow these components to cool down before starting work on them.

Note

Danger of damage The parked vehicle may roll away or fall over.

- Always place the vehicle on a firm and even surface.

Note

Fire hazard Some vehicle components become very hot when the vehicle is operated.

- Do not park the vehicle near flammable or explosive substances. Do not place objects on the vehicle while it is still warm from being run. Always let the vehicle cool first.

Note

Material damage Damage to or destruction of components due to excessive load.

- The side stand is only designed for the weight of the motorcycle. Do not sit on the motorcycle when it is resting on the side stand. The side stand or the frame may become damaged and the motorcycle may fall over.
-

- Brake the motorcycle.
 - Shift gear to neutral.
 - Switch off the ignition by turning the ignition key to position **OFF** ☒.
-



Info

If the engine is switched off with the emergency OFF switch and the ignition remains switched on at the ignition lock, power continues to flow to most power consumers and the battery will discharge. You should therefore always switch off the engine with the ignition key - the emergency OFF switch is intended for emergencies only.

- Park the motorcycle on a firm surface.
- Swing the side stand forward with your foot as far as it will go and lean the vehicle on it.
- Lock the steering by turning the handlebar fully to the left, pressing down the ignition key to position ☒ and turning it to position ☒. To make the steering lock engage more easily, move the handlebar a little to the left and right. Remove the ignition key.

8.7 Transport

Note

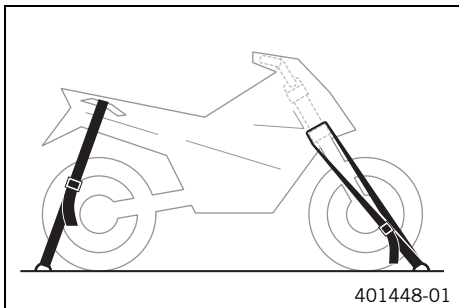
Danger of damage The parked vehicle may roll away or fall over.

- Always place the vehicle on a firm and even surface.

Note

Fire hazard Some vehicle components become very hot when the vehicle is operated.

- Do not park the vehicle near flammable or explosive substances. Do not place objects on the vehicle while it is still warm from being run. Always let the vehicle cool first.



- Switch off the engine and remove the ignition key.
- Use tension belts or other suitable devices to secure the motorcycle against accidents or falling over.

8.8 Refueling



Danger

Fire hazard Fuel is highly flammable.

- Never refuel the vehicle near open flames or burning cigarettes, and always switch off the engine first. Be careful that no fuel is spilt, especially on hot vehicle components. Clean up spilt fuel immediately.
- The fuel in the fuel tank expands when warm and may emerge if overfilled. Follow the instructions on refueling.



Warning

Danger of poisoning Fuel is poisonous and a health hazard.

- Fuel must not come into contact with the skin, eyes, or clothing. Do not breathe in the fuel vapors. If contact occurs with the eyes, rinse with water immediately and contact a physician. Immediately clean contaminated areas on the skin with soap and water. If fuel is swallowed, contact a physician immediately. Change clothing that is contaminated with fuel.

Note

Material damage Premature clogging of the fuel filter.

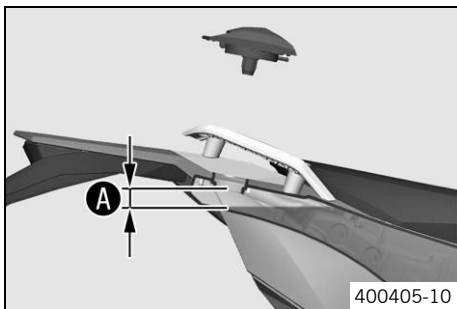
- In some countries and regions, the available fuel quality and cleanliness may not be sufficient. This will result in problems with the fuel system. (Your authorized KTM workshop will be glad to help.)
- Only refuel with clean fuel that meets the specified standards.



Warning

Environmental hazard Improper handling of fuel is a danger to the environment.

- Do not allow fuel to get into the ground water, the ground, or the sewage system.

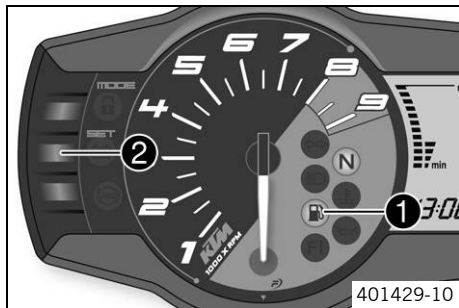


- Switch off the engine.
- Open the filler cap. (🔧 p. 36)
- Fill the fuel tank with fuel up to measurement **A**.

Guideline

Measurement A	20 mm (0.79 in)	
Total fuel tank capacity, approx.	12 l (3.2 US gal)	Super unleaded (ROZ 95/RON 95/PON 91) (🔧 p. 197)

- Close the filler cap. (🔧 p. 37)



- Press the **SET** button ② for two seconds.
 - ✓ The fuel level warning lamp ① switches off. **TRIP F** is set to **0.0** and the display returns to the previous display mode.

i **Info**

If you do not press the **SET** button ②, the reset takes place automatically after approx. three minutes.

9.1 Service schedule

	Every 20,000 km (12,428 mi) or every 2 years	Every 10,000 km (6,214 mi) or annually or after every sporting use	Once after 1,000 km (621.4 mi)
Check that the electrical equipment is functioning correctly.	○	●	●
Read out the fault memory using the KTM diagnostics tool. 🛠️	○	●	●
Check the measured service values with the KTM diagnostics tool. 🛠️		●	●
Change the engine oil and filter, clean the oil screens. 🛠️ (📖 p. 158)	○	●	●
Check the front brake linings. (📖 p. 101)	○	●	●
Check the rear brake linings. (📖 p. 110)	○	●	●
Check the brake discs. (📖 p. 98)	○	●	●
Check the brake lines for damage and leakage.	○	●	●
Check the rear brake fluid level. (📖 p. 107)	○	●	●
Check the free travel of the foot brake lever. (📖 p. 105)	○	●	●
Check that the shock absorber and fork are leak tight. If necessary and depending on use, service the fork and shock absorber.	○	●	●
Check the swingarm bearing. 🛠️		●	●
Check the wheel bearing for play. 🛠️		●	●
Check the tire condition. (📖 p. 122)	○	●	●
Check the tire air pressure. (📖 p. 123)	○	●	●
Check the spoke tension. (📖 p. 124)	○	●	●
Check for rim run-out. 🛠️	○	●	●
Check the chain, rear sprocket, engine sprocket, and chain guide. (📖 p. 87)		●	●
Check the chain tension. (📖 p. 84)	○	●	●

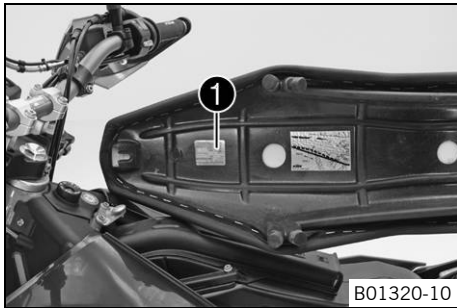
9 SERVICE SCHEDULE

	Every 20,000 km (12,428 mi) or every 2 years	Every 10,000 km (6,214 mi) or annually or after every sporting use	Once after 1,000 km (621.4 mi)
Grease all moving parts (e.g. side stand, hand lever, chain, ...) and check for smooth operation. 🛠️	○	●	●
Clean the dust boots of the fork legs. (🔧 p. 75)		●	●
Check the brake fluid level of the front brake. (🔧 p. 99)	○	●	●
Check the steering head bearing play. (🔧 p. 77)	○	●	●
Change fuel screen. 🛠️	○	●	●
Change the spark plug.			●
Check the valve clearance. 🛠️		●	●
Check all hoses (e.g. fuel, cooling, bleeder, drainage, etc.) and sleeves for cracking, leaks, and incorrect routing. 🛠️			●
Check the antifreeze and coolant level. (🔧 p. 147)	○	●	●
Check the cables for damage and routing without sharp bends. 🛠️		●	●
Change the air filter. Clean the air filter box. 🛠️		●	●
Check the fuel pressure. 🛠️		●	●
Check the CO adjustment with the KTM diagnostics tool. 🛠️		●	●
Check/rectify the fluid level of the hydraulic clutch. (🔧 p. 93)		●	●
Check the screws and nuts for tightness. 🛠️	○	●	●
Change the front brake fluid. 🛠️			●
Change the rear brake fluid. 🛠️			●
Check the headlight setting. (🔧 p. 145)	○	●	●
Check that the radiator fan is functioning properly. 🛠️	○	●	●
Final check: Check the vehicle for roadworthiness and take a test ride.	○	●	●
Read out the fault memory using the KTM diagnostics tool after a test ride. 🛠️	○	●	●
Make the service entry in KTM Dealer.net and in the service record. 🛠️	○	●	●

9 SERVICE SCHEDULE

- One-time interval
- Periodic interval

10.1 Fork/shock absorber



The fork and the shock absorber offer many options of adapting the chassis to your riding style and the payload.

i Info

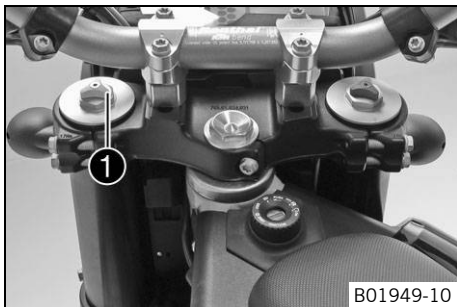
To help you adapt the vehicle, we have summarized our findings in Table 1. You can find the table on the underside of the seat.

These adjustments should be understood as a guideline and should always be the basis of your own personal suspension setting. Do not change the settings at random or by more than $\pm 40\%$, since otherwise the riding characteristics could deteriorate, particularly at high speeds.

10.2 Adjusting the compression damping of the fork

i Info

The hydraulic compression damping determines the fork suspension behavior.



- Turn the white adjusting screw 1 all the way clockwise.

i Info

Adjusting screw 1 is located at the upper end of the left fork leg.

The compression damping is located in the left fork leg **COMP** (white adjusting screw). The rebound damping is located in the right fork leg **REB** (red adjusting screw).

- Turn counterclockwise by the number of clicks corresponding to the fork type.

Guideline

Compression damping	
Comfort	20 clicks
Standard	15 clicks
Sport	10 clicks
Full payload	10 clicks



Info

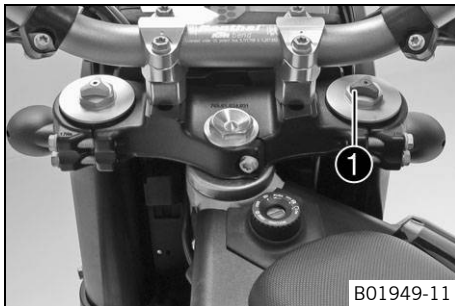
Turn clockwise to increase damping; turn counterclockwise to reduce damping.

10.3 Adjusting the rebound damping of the fork



Info

The hydraulic rebound damping determines the fork rebound behavior.



- Turn the red adjusting screw ① all the way clockwise.



Info

Adjusting screw ① is located at the upper end of the right fork leg. The rebound damping is located in the right fork leg **REB** (red adjusting screw). The compression damping is located in the left fork leg **COMP** (white adjusting screw).

- Turn counterclockwise by the number of clicks corresponding to the fork type.

Guideline

Rebound damping	
Comfort	20 clicks
Standard	15 clicks
Sport	10 clicks
Full payload	10 clicks



Info

Turn clockwise to increase damping; turn counterclockwise to reduce damping.

10.4 Compression damping of the shock absorber

The compression damping of the shock absorber is divided into two ranges: high-speed and low-speed.

High-speed and low-speed refer to the compression speed of the rear wheel suspension and not to the vehicle speed.

The high-speed setting, for example, has an effect on the landing after a jump: the rear wheel suspension compresses more quickly.

The low-speed setting, for example, has an effect when riding over long ground swells: the rear wheel suspension compresses more slowly.

These two ranges can be adjusted separately, although the transition between high-speed and low-speed is gradual. Thus, changes in the high-speed range affect the compression damping in the low-speed range and vice versa.

10.5 Adjusting the low-speed compression damping of the shock absorber

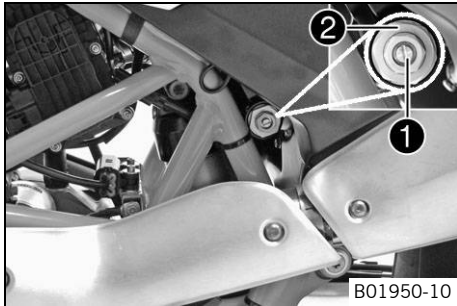


Caution

Danger of accidents Disassembly of pressurized parts can lead to injury.

- The shock absorber is filled with high density nitrogen. Adhere to the description provided. (Your authorized KTM workshop will be glad to help.)

i Info
The low-speed setting takes effect during the slow to normal compression of the shock absorber.



- Turn adjusting screw **1** clockwise with a screwdriver up to the last perceptible click.

i Info
Do not loosen fitting **2**!

- Turn counterclockwise by the number of clicks corresponding to the shock absorber type.

Guideline

Compression damping, low-speed	
Comfort	20 clicks
Standard	15 clicks
Sport	10 clicks
Full payload	10 clicks

i Info
Turn clockwise to increase damping; turn counterclockwise to reduce damping.

10.6 Adjusting the high-speed compression damping of the shock absorber

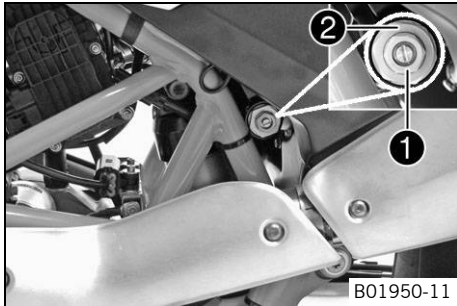
! Caution
Danger of accidents Disassembly of pressurized parts can lead to injury.

- The shock absorber is filled with high density nitrogen. Adhere to the description provided. (Your authorized KTM workshop will be glad to help.)



Info

The high-speed setting takes effect during the fast compression of the shock absorber.



- Turn adjusting screw **1** clockwise all the way using a socket wrench.



Info

Do not loosen fitting **2**!

- Turn counterclockwise by the number of turns corresponding to the shock absorber type.

Guideline

Compression damping, high-speed	
Comfort	2 turns
Standard	1.5 turns
Sport	1 turn
Full payload	1 turn



Info

Turn clockwise to increase damping; turn counterclockwise to reduce damping.

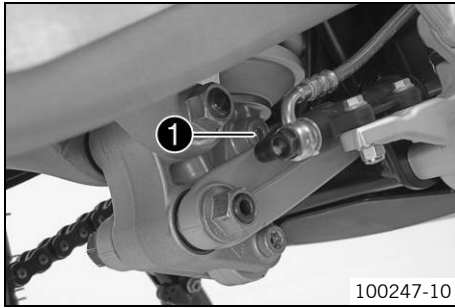
10.7 Adjusting the rebound damping of the shock absorber



Caution

Danger of accidents Disassembly of pressurized parts can lead to injury.

- The shock absorber is filled with high density nitrogen. Adhere to the description provided. (Your authorized KTM workshop will be glad to help.)



100247-10

- Turn adjusting screw ❶ clockwise up to the last perceptible click.
- Turn back counterclockwise by the number of clicks corresponding to the shock absorber type.

Guideline

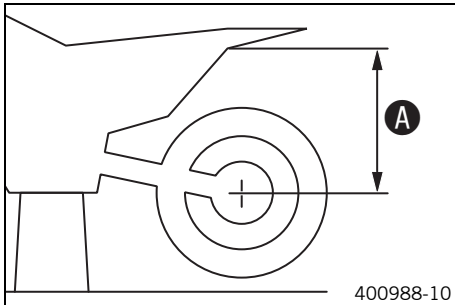
Rebound damping	
Comfort	20 clicks
Standard	15 clicks
Sport	10 clicks
Full payload	10 clicks



Info

Turn clockwise to increase damping; turn counterclockwise to reduce damping.

10.8 Measuring the unloaded rear wheel sag



400988-10

Preparatory work

- Raise the motorcycle with the lift stand. (☛ p. 74)

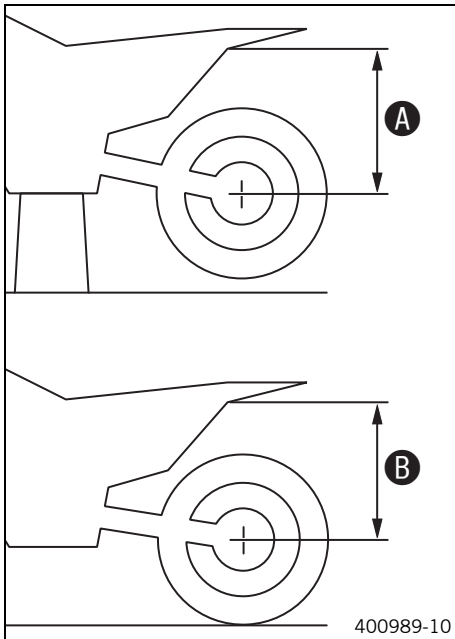
Main work

- Measure the distance – as vertical as possible – between the rear axle and a fixed point, for example, a mark on the rear fairing.
- Note down the value as dimension ❶.

Finishing work

- Remove the motorcycle from the lift stand. (🔧 p. 74)

10.9 Checking the static sag of the shock absorber



- Measure distance **A** of rear wheel unloaded. (🔧 p. 67)
- Hold the motorcycle upright with the aid of an assistant.
- Measure the distance between the rear axle and the fixed point again.
- Note down the value as dimension **B**.

i Info

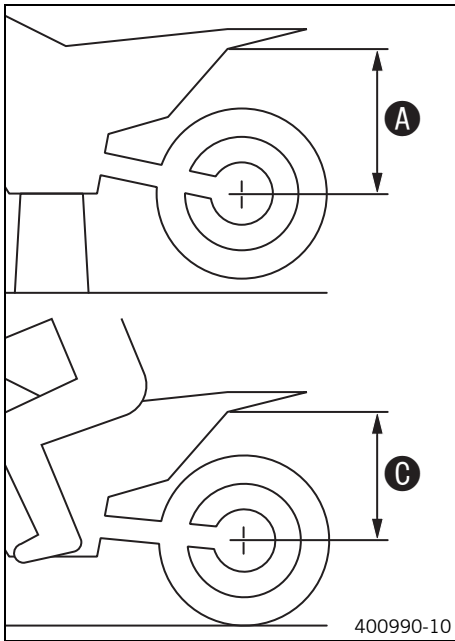
The static sag is the difference between measurements **A** and **B**.

- Check the static sag.

Static sag	18 mm (0.71 in)
------------	-----------------

- » If the static sag is less or more than the specified value:
 - Adjust the spring preload of the shock absorber. 🛠️ (🔧 p. 69)

10.10 Checking the riding sag of the shock absorber



- Measure distance **A** of rear wheel unloaded. (☞ p. 67)
- With another person holding the motorcycle, the rider, wearing full protective clothing, sits on the seat in a normal sitting position (feet on footrests) and bounces up and down a few times.
 - ✓ The rear wheel suspension levels out.
- Another person now measures the distance between the rear axle and a fixed point.
- Note down the value as dimension **C**.

i Info

The riding sag is the difference between measurements **A** and **C**.

- Check the riding sag.

Riding sag	70... 80 mm (2.76... 3.15 in)
------------	-------------------------------

- » If the riding sag differs from the specified measurement:
 - Adjust the riding sag. ☞ (☞ p. 71)

10.11 Adjusting the spring preload of the shock absorber ☞



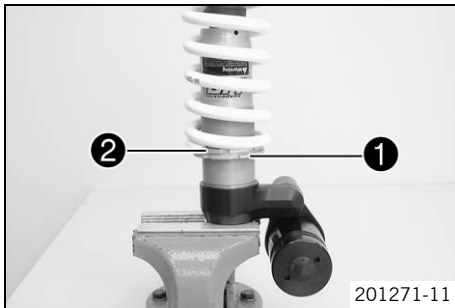
Caution

Danger of accidents Disassembly of pressurized parts can lead to injury.

- The shock absorber is filled with high density nitrogen. Adhere to the description provided. (Your authorized KTM workshop will be glad to help.)

i **Info**

Before changing the spring preload, make a note of the present setting, e.g., by measuring the length of the spring.



Preparatory work

- Raise the motorcycle with the work stand.
- Remove the seat. (↖ p. 80)
- Take off the side cover.
- Remove the shock absorber. ↘
- After removing the shock absorber, clean it thoroughly.

Main work

- Release retaining ring ❶.
- Turn adjusting ring ❷ until the spring is fully relaxed.

Hook wrench (T106S)

- Measure the overall spring length without a load.
- Tighten the spring by turning adjusting ring ❷ to the specified measurement.

Guideline

Spring preload	20 mm (0.79 in)
----------------	-----------------

i **Info**

Depending on the static sag and/or the riding sag, it may be necessary to increase or decrease the spring preload.

- Tighten retaining ring ❶.

Finishing work

- Install the shock absorber. ↘
- Mount the side cover.

- Mount the seat. (☛ p. 80)
- Remove the motorcycle from the work stand.

10.12 Adjusting the riding sag ☛

Preparatory work

- Raise the motorcycle with the work stand.
- Remove the seat. (☛ p. 80)
- Take off the side cover.
- Remove the shock absorber. ☛
- After removing the shock absorber, clean it thoroughly.

Main work

- Choose and mount a suitable spring.

Guideline

Spring rate	
Medium (standard)	80 N/mm (457 lb/in)
Hard	85 N/mm (485 lb/in)

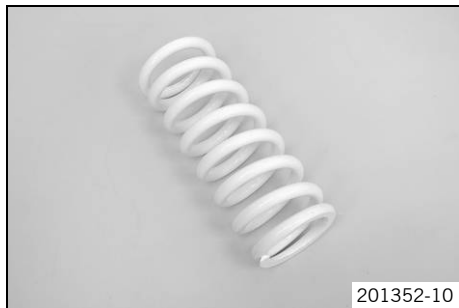


Info

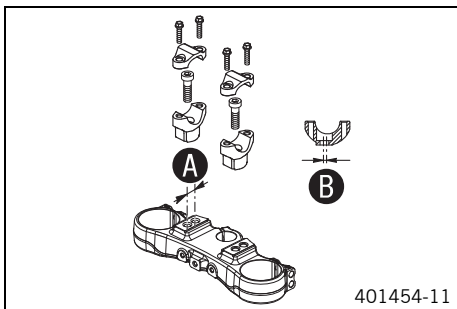
The spring rate is shown on the outside of the spring.

Finishing work

- Install the shock absorber. ☛
- Mount the side cover.
- Mount the seat. (☛ p. 80)
- Remove the motorcycle from the work stand.
- Check the static sag of the shock absorber. (☛ p. 68)
- Adjust the rebound damping of the shock absorber. (☛ p. 66)



10.13 Handlebar position



On the upper triple clamp, there are 2 holes at a distance **A** to each other.

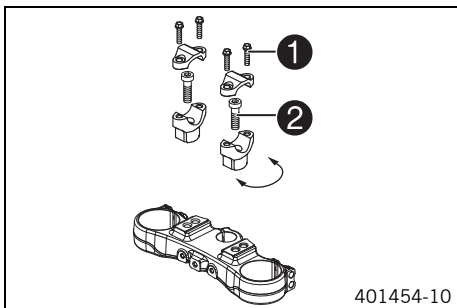
Distance A between holes	15 mm (0.59 in)
---------------------------------	-----------------

The holes on the handlebar support are placed at a distance **B** from the center.

Distance B between holes	3.5 mm (0.138 in)
---------------------------------	-------------------

The handlebar can be mounted in 4 different positions. In this way, the handlebar can be installed in the position most comfortable for the rider.

10.14 Adjusting handlebar position ↩



- Remove screws **1**. Take off the handlebar clamps. Remove the handlebar and lay it to one side.

i Info

Cover the components to protect them against damage.
Do not bend the cables and lines.

- Remove screws **2**. Remove the handlebar support.
- Place the handlebar support in the required position. Mount and tighten screws **2**.

Guideline

Screw, handlebar support	M10	40 Nm (29.5 lbf ft)	Loctite® 243™
--------------------------	-----	------------------------	----------------------

i Info

Position the left and right handlebar supports evenly.

- Position the handlebar.

**Info**

Make sure the cables and wiring are positioned correctly.

- Position the handlebar clamps. Mount screws ❶ and tighten evenly.

Guideline

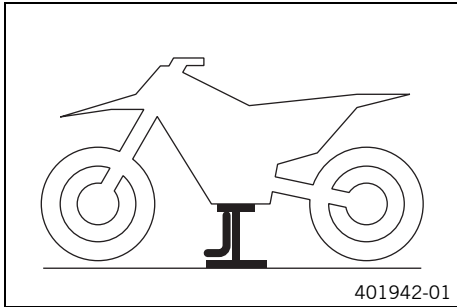
Screw, handlebar clamp	M8	20 Nm (14.8 lbf ft)
------------------------	----	------------------------

11.1 Raising the motorcycle with the lift stand

Note

Danger of damage The parked vehicle may roll away or fall over.

- Always place the vehicle on a firm and even surface.



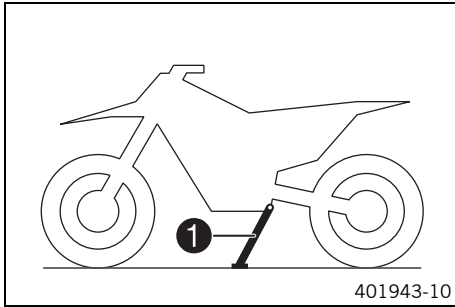
- Raise the motorcycle using the underride guard under the motorcycle.
 - ✓ Neither wheel is in contact with the ground.
- Secure the motorcycle against falling over.

11.2 Removing the motorcycle from the lift stand

Note

Danger of damage The parked vehicle may roll away or fall over.

- Always place the vehicle on a firm and even surface.



- Remove the motorcycle from the lift stand and rest it on side stand ❶.
- Remove the lift stand.

11.3 Cleaning the dust boots of the fork legs

Preparatory work

- Raise the motorcycle with the lift stand. (🔧 p. 74)
- Loosen the fork protection. (🔧 p. 76)

Main work

- Push dust boots ❶ of both fork legs downward.

Info

The dust boots remove dust and coarse dirt particles from the inside fork tubes. Over time, dirt can penetrate behind the dust boots. If this dirt is not removed, the oil seals behind the dust boots can start to leak.

Warning

Danger of accidents Reduced braking efficiency due to oil or grease on the brake discs.

- Always keep the brake discs free of oil and grease, and clean them with brake cleaner when necessary.



- Clean and oil the dust boots and inner fork tube of both fork legs.

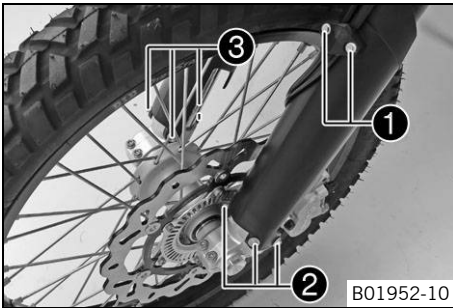
Universal oil spray (☛ p. 199)

- Press the dust boots back into their normal position.
- Remove excess oil.

Finishing work

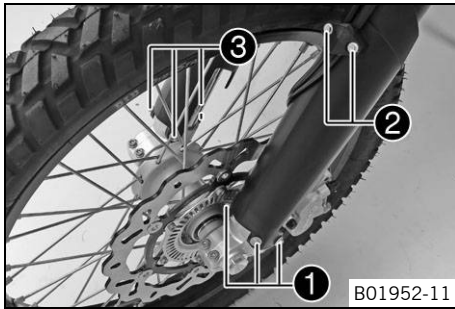
- Position the fork protector. (☛ p. 77)
- Remove the motorcycle from the lift stand. (☛ p. 74)

11.4 Loosening the fork protection



- Remove screws ① and take off clamp.
- Remove screws ② on left fork leg. Push the fork protection downwards.
- Remove screws ③ on the right fork leg. Push the fork protector downward.

11.5 Positioning the fork protector



- Position the fork protector on the left fork leg. Mount and tighten screws **1**.

Guideline

Remaining screws, chassis	M6	10 Nm (7.4 lbf ft)
---------------------------	----	--------------------

- Position the brake line and wiring harness. Put the clamp on, and mount and tighten screws **2**.

- Position the fork protector on the right fork leg. Mount and tighten screws **3**.

Guideline

Remaining screws, chassis	M6	10 Nm (7.4 lbf ft)
---------------------------	----	--------------------

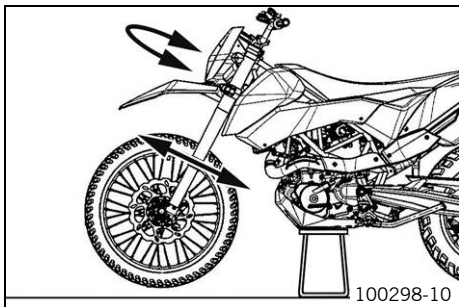
11.6 Checking the steering head bearing play

- Warning**
Danger of accidents Unstable vehicle handling from incorrect steering head bearing play.
- Adjust the steering head bearing play without delay. (Your authorized KTM workshop will be glad to help.)

- Info**
If the bike is ridden with play in the steering head bearing, the bearing and the bearing seats in the frame can become damaged over time.

Preparatory work

- Raise the motorcycle with the lift stand. (👉 p. 74)



Main work

- Move the handlebar to the straight-ahead position. Move the fork legs to and fro in the direction of travel.

No play should be noticeable in the steering head bearing.

- » If there is noticeable play present:
 - Adjust the play of the steering head bearing. 🛠️ (👉 p. 78)
- Move the handlebar to and fro over the entire steering range.

The handlebar must be able to move easily over the entire steering range. No resting locations should be noticeable.

- » If click positions are noticeable:
 - Adjust the play of the steering head bearing. 🛠️ (👉 p. 78)
 - Check the steering head bearing and change if necessary.

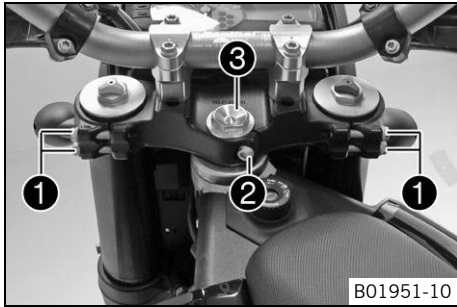
Finishing work

- Remove the motorcycle from the lift stand. (👉 p. 74)

11.7 Adjusting the play of the steering head bearing 🛠️

Preparatory work

- Raise the motorcycle with the lift stand. (👉 p. 74)



Main work

- Loosen screw ❶. Remove screw ❷.
- Loosen and retighten screw ❸.

Guideline

Screw, top steering head	M20x1.5	12 Nm (8.9 lbf ft)
--------------------------	---------	--------------------

- Using a plastic hammer, tap lightly on the upper triple clamp to avoid strains.
- Fully tighten screws ❶.

Guideline

Screw, top triple clamp	M8	17 Nm (12.5 lbf ft)
-------------------------	----	------------------------

- Mount and tighten screw ❷.

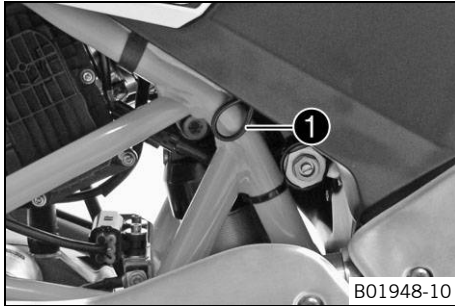
Guideline

Screw, steering stem	M8	20 Nm (14.8 lbf ft)
----------------------	----	------------------------

Finishing work

- Check the steering head bearing play. (🔧 p. 77)
- Remove the motorcycle from the lift stand. (🔧 p. 74)

11.8 Removing the seat



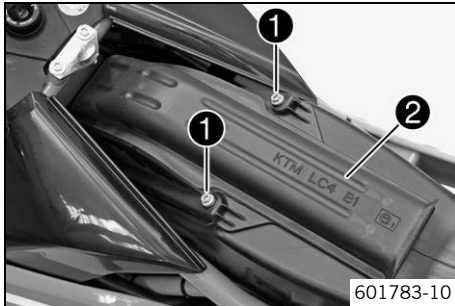
- Pull on strap ❶ and raise the rear of the seat at the same time.
- Pull back the seat and lift it off.

11.9 Mounting the seat




- Hook slot ❶ of the seat onto screw ❷, press the rear downward and at the same time push it forward.
- Push locking pin ❸ into lock housing ❹ and push the back of the seat down until the locking pin locks in place with an audible click.
- Finally, check that the seat is correctly mounted.

11.10 Removing the air filter

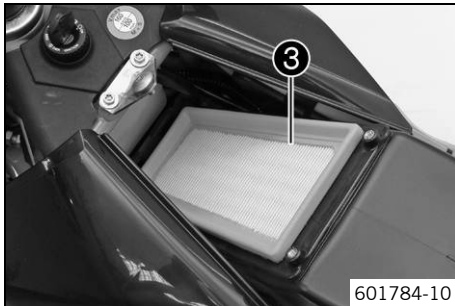


Preparatory work

- Remove the seat. ( p. 80)

Main work

- Remove screws **1**. Take off air filter box top **2**.

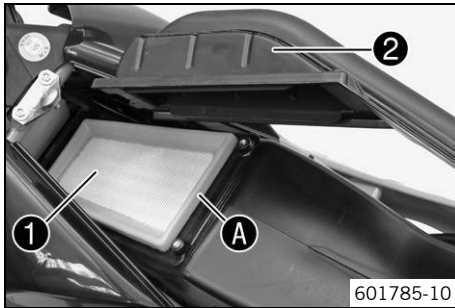


Note

Engine failure Unfiltered intake air has a negative effect on the service life of the engine.

- Never operate the vehicle without an air filter as dust and dirt will enter the engine and lead to increased wear.
-
- Remove air filter **3**.

11.11 Installing the air filter



Main work

- Clean the air filter box.
- Mount air filter ①.

Info

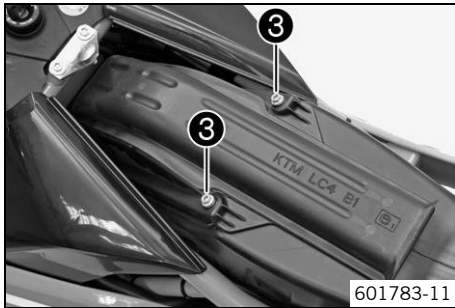
The air filter must lie flush against the air filter box along the entire sealing surface **A**.

If the air filter is not correctly mounted, dust and dirt can enter the engine and cause damage.


- Hook air filter box top ② into the front of the air filter box and swing down.
- Mount and tighten screws ③.

Guideline

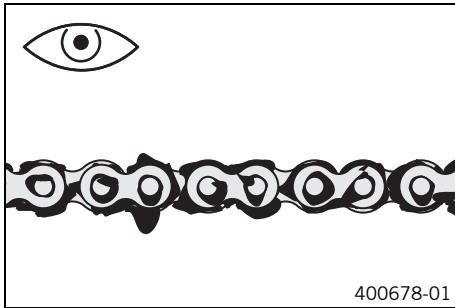
Screw, air filter box top	M6	2 Nm (1.5 lbf ft)
---------------------------	----	-------------------



Finishing work


- Mount the seat. ( p. 80)


11.12 Checking the chain for dirt




- Check the chain for heavy soiling.
 - » If the chain is very dirty:
 - Clean the chain. (🔧 p. 83)

11.13 Cleaning the chain

-  **Warning**
Danger of accidents Oil or grease on the tires reduces their grip.
- Remove oil and grease with a suitable cleaning material.

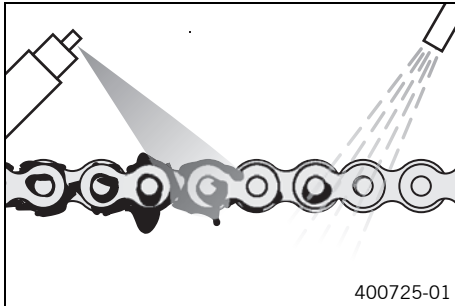
-  **Warning**
Danger of accidents Reduced braking efficiency due to oil or grease on the brake discs.
- Always keep the brake discs free of oil and grease, and clean them with brake cleaner when necessary.

-  **Warning**
Environmental hazard Hazardous substances cause environmental damage.
- Oil, grease, filters, fuel, cleaners, brake fluid, etc., should be disposed of as stipulated in applicable regulations.



Info

The service life of the chain depends largely on its maintenance.



Preparatory work

- Raise the motorcycle with the lift stand. (☛ p. 74)

Main work

- Clean the chain regularly.
- Rinse off loose dirt with a soft jet of water.
- Remove old grease remains with chain cleaner.

Chain cleaner (☛ p. 198)

- After drying, apply chain spray.

Off-road chain spray (☛ p. 198)

Finishing work

- Remove the motorcycle from the lift stand. (☛ p. 74)

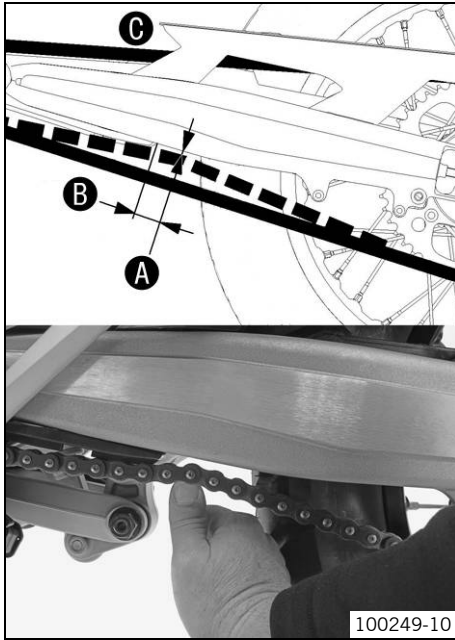
11.14 Checking the chain tension



Warning

Danger of accidents Danger caused by incorrect chain tension.

- If the chain is too taut, the components of the secondary power transmission (chain, engine sprocket, rear sprocket, bearings in the transmission and in the rear wheel) will be under additional load. In addition to premature wear, this can cause the chain or the countershaft of the transmission to break in extreme cases. If the chain is too loose, however, it may fall off the engine sprocket or rear sprocket and block the rear wheel or damage the engine. Ensure that the chain tension is correct and adjust it if necessary.



- Lean the motorcycle on the side stand.
- Shift gear to neutral.
- Push the chain upward at a distance **B** from the chain sliding guard and determine the chain tension **A**.

i Info

The upper chain section **C** must be taut.

Chain wear is not always even. Repeat this measurement at different chain positions.

Chain tension	5 mm (0.2 in)
Distance to chain sliding guard	30 mm (1.18 in)

- » If the chain tension does not meet specifications:
 - Adjust the chain tension. (🔧 p. 86)

11.15 Adjusting the chain tension



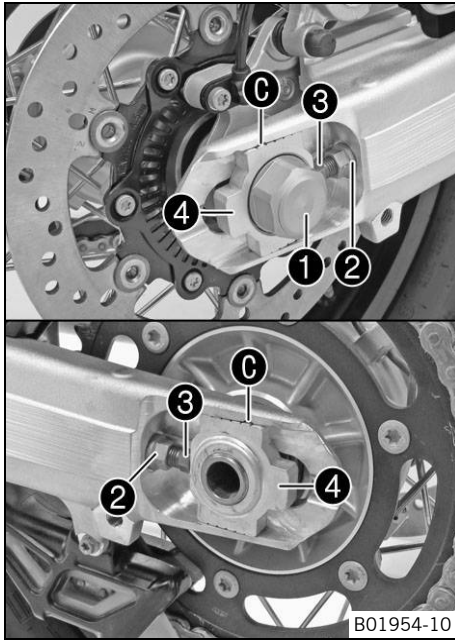
Warning

Danger of accidents Danger caused by incorrect chain tension.

- If the chain is too taut, the components of the secondary power transmission (chain, engine sprocket, rear sprocket, bearings in the transmission and in the rear wheel) will be under additional load. In addition to premature wear, this can cause the chain or the countershaft of the transmission to break in extreme cases. If the chain is too loose, however, it may fall off the engine sprocket or rear sprocket and block the rear wheel or damage the engine. Ensure that the chain tension is correct and adjust it if necessary.

Preparatory work

- Check the chain tension. (👉 p. 84)



Main work

- Loosen nut ①.
- Loosen nuts ②.
- Adjust the chain tension by turning adjusting screws ③ on the left and right.

Guideline

Chain tension	5 mm (0.2 in)
Turn the left and right adjusting screws ③ so that the markings on the left and right chain adjusters ④ are in the same position relative to the reference marks ①. The rear wheel is then correctly aligned.	

i Info

The upper chain section must be taut.
Chain wear is not always even. Repeat this measurement at different chain positions.

- Tighten nuts ②.
- Make sure that the chain adjusters ④ are installed correctly on adjusting screws ③.
- Tighten nut ①.

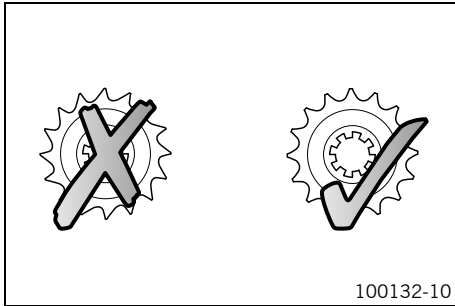
Guideline

Nut, rear wheel spindle	M25x1.5	90 Nm (66.4 lbf ft)
-------------------------	---------	------------------------

11.16 Checking the chain, rear sprocket, engine sprocket, and chain guide

Preparatory work

- Raise the motorcycle with the lift stand. (☞ p. 74)



Main work

- Shift the transmission to neutral.
- Check the rear sprocket and engine sprocket for wear.
 - » If the rear sprocket and engine sprocket are worn:
 - Change the power set. 🛠️



Info

The engine sprocket, rear sprocket, and chain should always be replaced together.

- Pull on the upper section of the chain with the specified weight **A**.

Guideline

Weight of chain wear measurement	15 kg (33 lb.)
----------------------------------	----------------

- Measure distance **B** of 18 chain links in the lower chain section.



Info

Chain wear is not always even, so you should repeat this measurement at different chain positions.

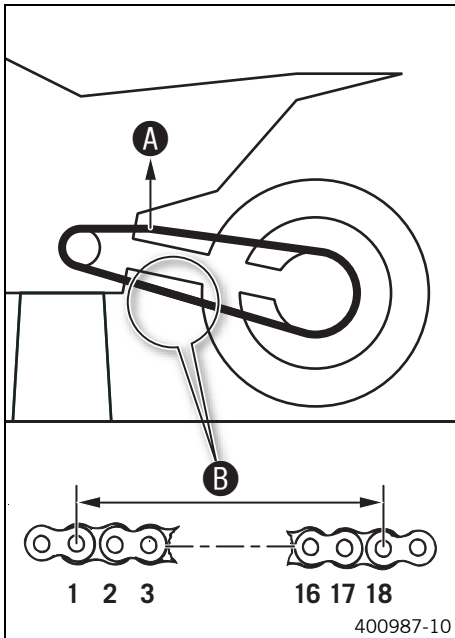
Maximum distance B at the longest chain section	272 mm (10.71 in)
--	-------------------

- » If the distance **B** is greater than the specified measurement:
 - Change the power set. 🛠️

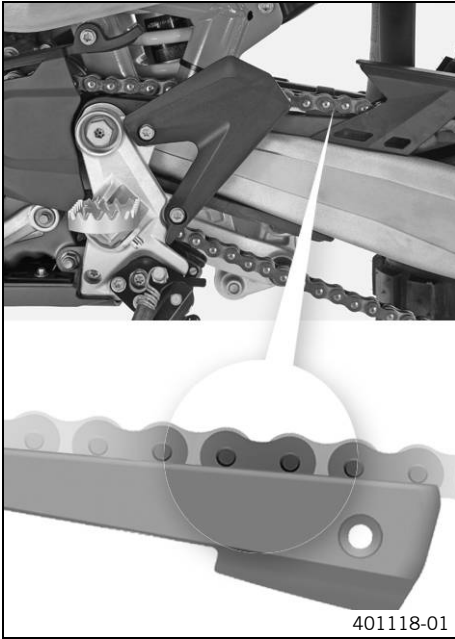


Info

When the chain is replaced, the rear sprocket and engine sprocket should also be changed.
New chains wear out faster on old, worn sprockets.



11 SERVICE WORK ON THE CHASSIS

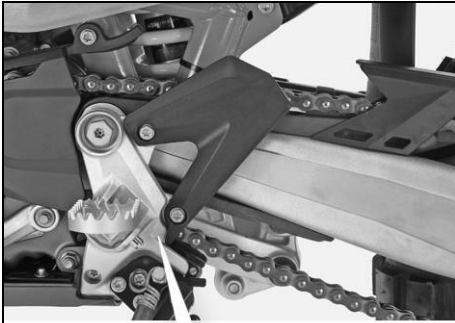


401118-01

- Check the chain sliding guard for wear.
 - » If the lower edge of the chain pins is in line with or below the chain sliding guard:
 - Replace the chain sliding guard. 🛠️
- Check that the chain sliding guard is firmly seated.
 - » If the chain sliding guard is loose:
 - Tighten the screws on the chain sliding guard.

Guideline

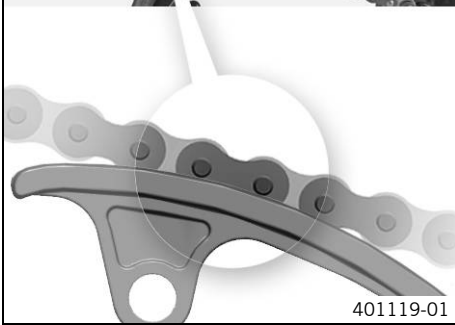
Screw, chain sliding guard	M6	8 Nm (5.9 lbf ft)	Loctite® 243™
----------------------------	----	----------------------	----------------------



- Check the chain sliding piece for wear.
 - » If the lower edge of the chain pins is in line with or below the chain sliding piece:
 - Change the chain sliding piece. 🛠️
- Check that the chain sliding piece is firmly seated.
 - » If the chain sliding piece is loose:
 - Tighten the screw on the chain sliding piece.

Guideline

Screw, chain sliding piece	M8	15 Nm (11.1 lbf ft)
----------------------------	----	------------------------

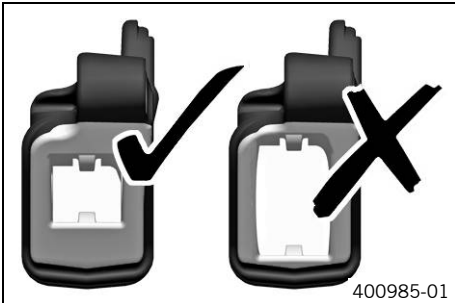


- Check the chain guide for wear.



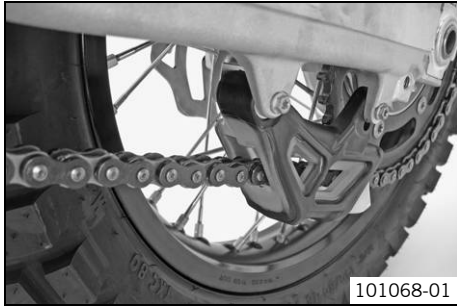
Info

Wear is visible on the front of the chain guide.



- » If the light part of the chain guide is worn:
 - Change the chain guide. 🛠️

11 SERVICE WORK ON THE CHASSIS



- Check that the chain guide is firmly seated.
 - » If the chain guide is loose:
 - Tighten the screws on the chain guide.

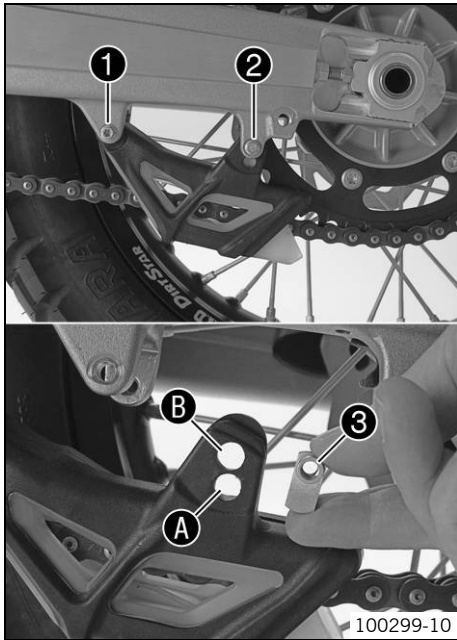
Guideline

Remaining screws, chassis	M6	10 Nm (7.4 lbf ft)
---------------------------	----	-----------------------

Finishing work

- Remove the motorcycle from the lift stand. (🔧 p. 74)

11.17 Adjusting chain guide



- Remove screws ① and ②. Take off the chain guide.

Condition

Number of teeth: ≤ 44 teeth

- Insert nut ③ in hole A. Position the chain guide.
- Mount and tighten screws ① and ②.

Guideline

Screw, chain guide	M6	8 Nm (5.9 lbf ft)
--------------------	----	-------------------

Condition

Number of teeth: ≥ 45 teeth

- Insert nut ③ in hole B. Position the chain guide.
- Mount and tighten screws ① and ②.

Guideline

Screw, chain guide	M6	8 Nm (5.9 lbf ft)
--------------------	----	-------------------

11.18 Adjusting basic position of clutch lever



Info

Turn the adjusting screw clockwise to increase the distance between the clutch lever and the handlebar.
Turn the adjusting screw counterclockwise to decrease the distance between the clutch lever and the handlebar.
The range of adjustment is limited.
Turn the adjusting screw by hand only, and do not apply any force.
Do not make any adjustments while riding!



- Adjust the basic setting of the clutch lever to your hand size by turning adjusting screw ①.
- When adjusting the clutch lever, make sure to leave a minimum clearance to other parts of the vehicle.

Guideline

Minimum clearance	5 mm (0.2 in)
-------------------	---------------

11.19 Checking/rectifying the fluid level of the hydraulic clutch

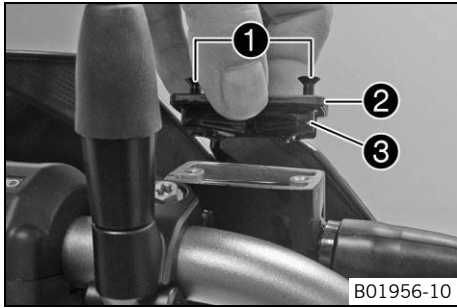


Info

The fluid level rises with increasing wear of the clutch lining disc.
Do not use brake fluid.

- Move the clutch fluid reservoir mounted on the handlebar to a horizontal position.

11 SERVICE WORK ON THE CHASSIS



- Remove screws ①.
- Remove cover ② with membrane ③.
- Check the fluid level.

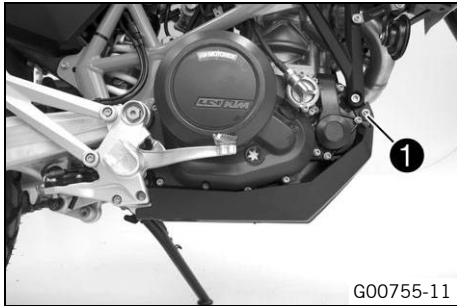
Fluid level under top level of container	4 mm (0.16 in)
--	----------------

- » If the level of the coolant does not meet specifications:
 - Correct the fluid level of the hydraulic clutch.

Hydraulic fluid (15) (☛ p. 197)

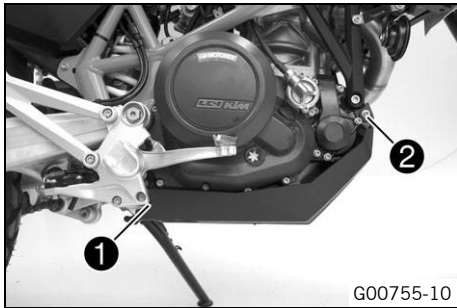
- Position the cover with the membrane. Mount and tighten the screws.

11.20 Removing the engine guard



- Remove screws ① on the left and right.
- Pull the engine guard forward out of the holders and set it down.

11.21 Installing the engine guard

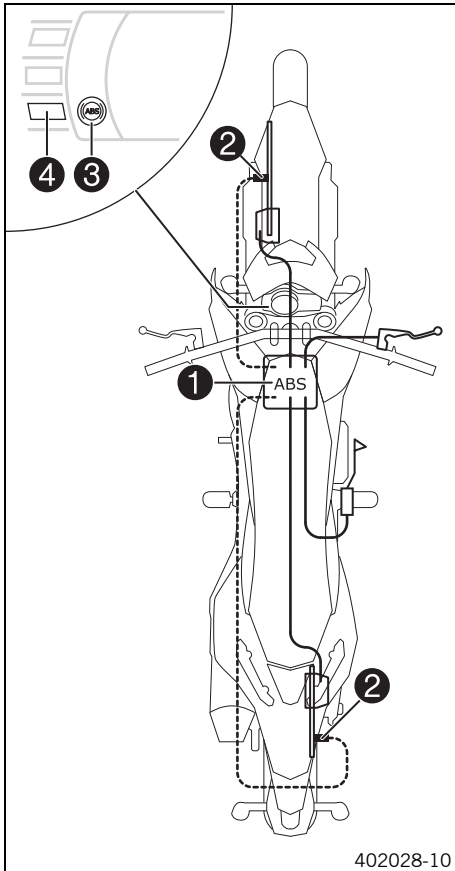


- Slide the engine guard into holders **1** at the rear.
- Position the engine guard. Mount and tighten screws **2**.

Guideline

Remaining screws, chassis	M6	10 Nm (7.4 lbf ft)
---------------------------	----	--------------------

12.1 ABS/antilock brake system



The ABS unit **1**, which consists of a hydraulic unit, ABS control unit, and return pump, is installed under the seat. A wheel speed sensor **2** is located at the front and rear wheels.



Warning

Danger of accidents Functional limitations of the ABS

- The rear wheel may only be spun with the front brake applied (burn out) if the ABS is switched off.
- If the vehicle has been modified, such as shortened or lengthened spring deflections, different rim diameters, different tires, the wrong tire air pressure, different brake linings, etc., the ABS will not function optimally. Optimal functioning of the ABS is only ensured if the brake system only contains spare parts and tires that have been approved and/or recommended by KTM.
- Service work and repairs must be performed properly. (Your authorized KTM workshop will be glad to help.)

The ABS is a safety system that prevents locking of the wheels when driving straight ahead without the influence of lateral forces.



Warning

Danger of accidents Vehicle rollover

- It is not always possible to prevent vehicle rollover in extreme riding situations (e. g. luggage loaded with a high center of gravity, varying road surfaces, steep descents, full braking without disengaging the gear). Adapt your riding style to the road conditions and your riding ability.

The ABS operates with two independent brake circuits (front and rear brakes). During normal operation, the brake system operates like a conventional brake system without ABS. When the ABS control unit detects a locking tendency in a wheel, ABS begins regulating the brake pressure. The regulating process causes a slight pulsing of the hand and foot brake levers.

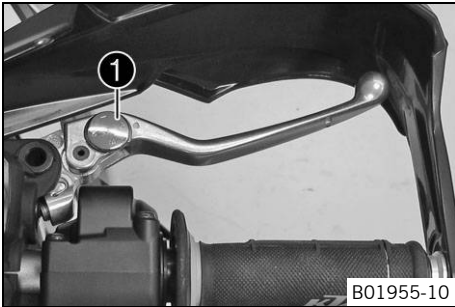
ABS warning lamp ③ must light up after the ignition is switched on and go out after starting off. If it does not go out after starting off or if it lights up while riding, this indicates a fault in the ABS system. In this case, the ABS is no longer enabled and the wheels may lock during braking. The brake system itself stays functional; only ABS control is not available.

The ABS warning lamp may also light up if the rotating speeds of the front and rear wheels differ greatly under extreme riding conditions, for example when making wheelies or if the rear wheel spins. This causes the ABS to switch off.

To reenale the ABS, the vehicle must be stopped and the ignition switched off. The ABS is reenaled when the vehicle is switched on again. The ABS warning lamp goes out when you start off.

Button ④ can be used to switch ABS off manually (see Starting).

12.2 Adjusting the basic position of the hand brake lever



- Adjust the basic setting of the hand brake lever to your hand size by turning adjusting wheel ①.

i Info

Pull the hand brake lever forward and turn the adjusting wheel.
Do not make any adjustments while riding!

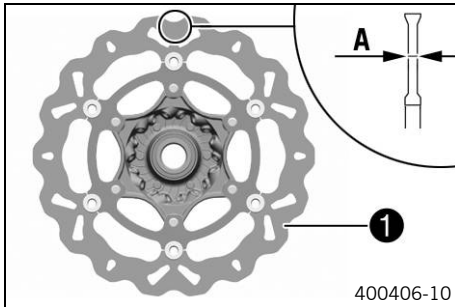
12.3 Checking the brake discs



Warning

Danger of accidents Reduced braking efficiency due to worn brake disc(s).

- Change the worn brake disc(s) without delay. (Your authorized KTM workshop will be glad to help.)



- Check the thickness of the front and rear brake discs in several places to ensure that it conforms to measurement **A**.

i Info

Wear reduces the thickness of the brake disc at the contact surface **1** of the brake disc.

Brake discs - wear limit

Front	4.5 mm (0.177 in)
Rear	4.5 mm (0.177 in)

- » If the brake disc thickness is less than the specified value:
 - Replace the brake disc.
- Check the front and rear brake discs for damage, cracks, and deformation.
 - » If damage, cracks, or deformation are visible on the brake disc:
 - Replace the brake disc.

12.4 Checking brake fluid level of front brake



Warning

Danger of accidents Brake system failure.

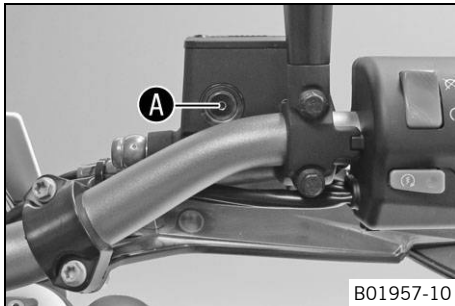
- If the brake fluid level drops below the specified marking or the specified value, this is an indication that the brake system is leaking or that the brake linings are completely worn down. Check the brake system and do not continue riding. (Your authorized KTM workshop will be glad to help.)



Warning

Danger of accidents Reduced braking efficiency due to old brake fluid.

- Change the brake fluid of the front and rear brake according to the service schedule. (Your authorized KTM workshop will be glad to help.)



- Move the brake fluid reservoir mounted on the handlebar to a horizontal position.
- Check the brake fluid level in the viewer.
 - » If the brake fluid has dropped below marking **A**:
 - Top up the brake fluid of the front brake. 🛠️ (📖 p. 100)

12.5 Topping up brake fluid of front brake. 🐾



Warning

Danger of accidents Brake system failure.

- If the brake fluid level drops below the specified marking or the specified value, this is an indication that the brake system is leaking or that the brake linings are completely worn down. Check the brake system and do not continue riding. (Your authorized KTM workshop will be glad to help.)



Warning

Skin irritation Brake fluid can cause skin irritation on contact.

- Avoid contact with skin and eyes, and keep out of the reach of children.
- Wear suitable protective clothing and goggles.
- If brake fluid comes into contact with the eyes, flush the eyes thoroughly with water and consult a physician immediately.



Warning

Danger of accidents Reduced braking efficiency due to old brake fluid.

- Change the brake fluid of the front and rear brake according to the service schedule. (Your authorized KTM workshop will be glad to help.)



Warning

Environmental hazard Hazardous substances cause environmental damage.

- Oil, grease, filters, fuel, cleaners, brake fluid, etc., should be disposed of as stipulated in applicable regulations.

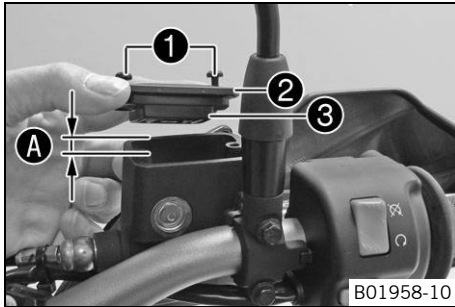


Info

Never use DOT 5 brake fluid! This is based on silicone oil and is colored purple. Oil seals and brake lines are not designed for DOT 5 brake fluid.

Avoid contact between brake fluid and painted parts. Brake fluid attacks paint!

Use only clean brake fluid from a sealed container.



Preparatory work

- Check the front brake linings. (☛ p. 101)

Main work

- Move the brake fluid reservoir mounted on the handlebar to a horizontal position.
- Remove screws ①.
- Remove cover ② with membrane ③.
- Add brake fluid to level A.

Guideline

Level A (brake fluid level below container rim)	5 mm (0.2 in)
---	---------------

Brake fluid DOT 4 / DOT 5.1 (☛ p. 195)

- Position the cover with the membrane. Mount and tighten screws.

i Info

Clean up overflowed or spilt brake fluid immediately with water.

12.6 Checking the front brake linings

! Warning

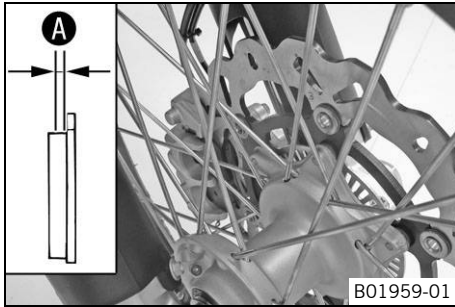
Danger of accidents Reduced braking efficiency caused by worn brake linings.

- Change worn brake linings immediately. (Your authorized KTM workshop will be glad to help.)

Note

Danger of accidents Reduced braking efficiency caused by damaged brake discs.

- If the brake linings are not changed in time, the steel brake lining carriers grind on the brake disc. The braking effect is greatly reduced and the brake discs are destroyed. Check the brake linings regularly.



- Check the brake linings for minimum thickness **A**.

Minimum thickness A	$\geq 1 \text{ mm } (\geq 0.04 \text{ in})$
----------------------------	---

- » If the minimum thickness is less than specified:
 - Change the front brake linings. 🛠️ (📄 p. 102)
- Check the brake linings for damage and cracking.
 - » If there is wear or tearing:
 - Change the front brake linings. 🛠️ (📄 p. 102)

12.7 Changing the front brake linings 🛠️



Warning

Danger of accident Brake system failure.

- Maintenance work and repairs must be carried out professionally. (Your authorized KTM workshop will be glad to help.)



Warning

Skin irritation Brake fluid can cause skin irritation on contact.

- Avoid contact with skin and eyes, and keep out of the reach of children.
- Wear suitable protective clothing and goggles.
- If brake fluid comes into contact with the eyes, flush the eyes thoroughly with water and consult a physician immediately.



Warning

Danger of accidents Reduced braking efficiency due to old brake fluid.

- Change the brake fluid of the front and rear brake according to the service schedule. (Your authorized KTM workshop will be glad to help.)



Warning

Danger of accidents Reduced braking efficiency due to oil or grease on the brake discs.

- Always keep the brake discs free of oil and grease, and clean them with brake cleaner when necessary.



Warning

Danger of accidents Reduced braking efficiency due to use of non-approved brake linings.

- Brake linings available from accessory suppliers are often not tested and approved for use on KTM vehicles. The construction and friction factor of the brake linings and therefore the brake power can differ considerably from the original KTM brake linings. If brake linings are used that differ from the originals, there is no guarantee that they comply with the original license. The vehicle no longer corresponds to the condition at delivery, and the warranty is no longer valid.



Warning

Environmental hazard Hazardous substances cause environmental damage.

- Oil, grease, filters, fuel, cleaners, brake fluid, etc., should be disposed of as stipulated in applicable regulations.
-

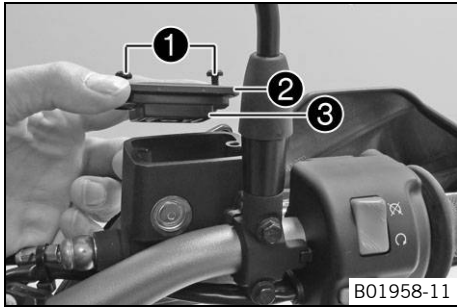


Info

Never use DOT 5 brake fluid! It is silicone-based and purple in color. Oil seals and brake lines are not designed for DOT 5 brake fluid.

Avoid contact between brake fluid and painted parts. Brake fluid attacks paint!

Use only clean brake fluid from a sealed container.

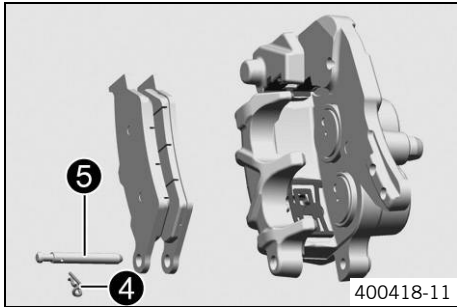


- Move the brake fluid reservoir mounted on the handlebar to a horizontal position.
- Remove screws ①.
- Remove cover ② with membrane ③.
- Press the brake caliper by hand onto the brake disc in order to retract the brake pistons. Ensure that brake fluid does not flow out of the brake fluid reservoir, extracting it by suction if it does.

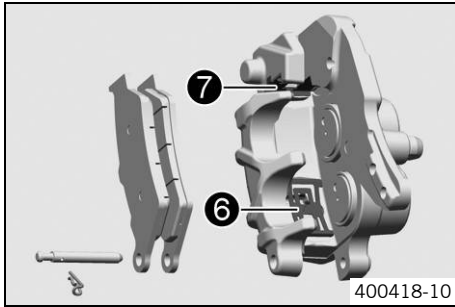


Info

Make sure when pushing back the brake pistons that you do not press the brake caliper against the spokes.



- Remove cotter pin ④, remove pin ⑤ toward the right by striking it, and remove the brake linings.
- Clean brake caliper and brake caliper support.



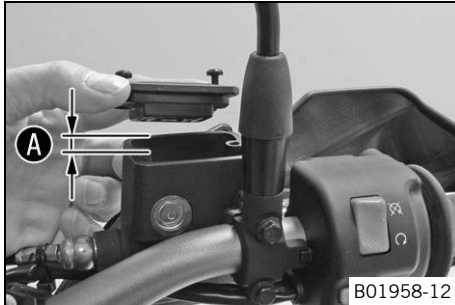
- Check that leaf spring **6** in the brake caliper and sliding plate **7** in the brake caliper support are seated correctly.
- Insert the new brake linings, insert the pin, and mount the cotter pin.



Info

Always change the brake linings in pairs.

- Operate the hand brake lever repeatedly until the brake linings are in contact with the brake disc and there is a pressure point.



- Adjust the brake fluid level to level **A**.

Guideline

Measurement A	5 mm (0.2 in)
Brake fluid DOT 4 / DOT 5.1 (☞ p. 195)	

- Position the cover with the membrane. Mount and tighten the screws.



Info

Clean up overflowed or spilt brake fluid immediately with water.

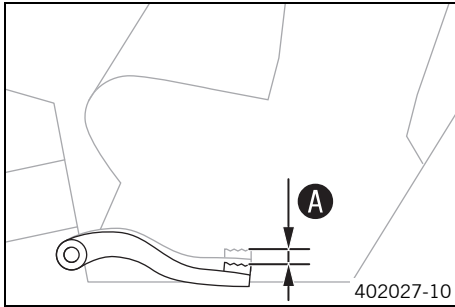
12.8 Checking the free travel of foot brake lever



Warning

Danger of accidents Brake system failure.

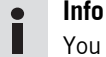
- If there is no free travel on the foot brake lever, pressure builds up on the rear brake circuit. The rear brake can fail due to overheating. Adjust the free travel on foot brake lever according to specifications.



- Move the foot brake lever back and forth between the end stop and the contact to the foot brake cylinder piston and check free travel **A**.

Guideline

Free travel at foot brake lever	3... 5 mm (0.12... 0.2 in)
---------------------------------	----------------------------



Info

You will know that contact has been made with the foot brake cylinder piston when there is increased resistance when you activate the foot brake lever.

- » If the free travel does not meet specifications:
 - Adjust the basic position of the foot brake lever. 🛠️ (📄 p. 106)

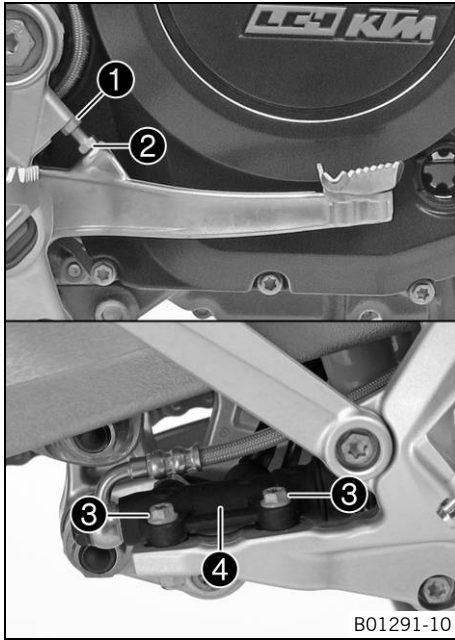
12.9 Adjusting the basic position of the foot brake lever 🛠️



Warning

Danger of accidents Brake system failure.

- If there is no free travel on the foot brake lever, pressure builds up on the rear brake circuit. The rear brake can fail due to overheating. Adjust the free travel on foot brake lever according to specifications.



- Loosen fitting ③ on foot brake cylinder ④.
- To adjust the basic position of the foot brake lever individually, loosen nut ① and turn screw ② accordingly.



Info

The range of adjustment is limited. The screw must be screwed into the footrest bracket by at least four turns.

- Position foot brake cylinder ④ so that the foot brake lever has the necessary free travel. Hold screws ③ in place and tighten the nuts.

Guideline

Screw connection, foot brake cylinder	M6	10 Nm (7.4 lbf ft)
---------------------------------------	----	--------------------

- Check the free travel of the foot brake lever. (☛ p. 105)
- Tighten nut ①.

12.10 Checking rear brake fluid level



Warning

Danger of accidents Failure of the brake system.

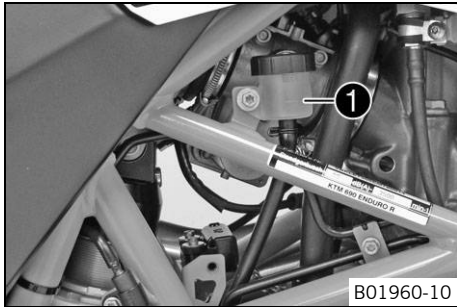
- If the brake fluid level falls below the **MIN** mark, this indicates a leakage in the brake system or worn-out brake linings. Check the brake system and do not continue riding. (Your authorized KTM workshop will be glad to help.)



Warning

Danger of accidents Reduced braking efficiency due to old brake fluid.

- Change the brake fluid of the front and rear brake according to the service schedule. (Your authorized KTM workshop will be glad to help.)



- Stand the vehicle upright.
- Check the brake fluid level in the brake fluid reservoir.
 - » If the fluid level reaches the **MIN** marking ❶:
 - Add rear brake fluid. 🛠️ (📄 p. 108)

12.11 Adding rear brake fluid 🛠️



Warning

Danger of accidents Failure of the brake system.

- If the brake fluid level falls below the **MIN** mark, this indicates a leakage in the brake system or worn-out brake linings. Check the brake system and do not continue riding. (Your authorized KTM workshop will be glad to help.)



Warning

Skin irritation Brake fluid can cause skin irritation on contact.

- Avoid contact with skin and eyes, and keep out of the reach of children.
- Wear suitable protective clothing and goggles.
- If brake fluid comes into contact with the eyes, flush the eyes thoroughly with water and consult a physician immediately.



Warning

Danger of accidents Reduced braking efficiency due to old brake fluid.

- Change the brake fluid of the front and rear brake according to the service schedule. (Your authorized KTM workshop will be glad to help.)



Warning

Environmental hazard Hazardous substances cause environmental damage.

- Oil, grease, filters, fuel, cleaners, brake fluid, etc., should be disposed of as stipulated in applicable regulations.



Info

Never use DOT 5 brake fluid! It is silicone-based and purple in color. Oil seals and brake lines are not designed for DOT 5 brake fluid.

Avoid contact between brake fluid and painted parts. Brake fluid attacks paint!

Use only clean brake fluid from a sealed container.

Preparatory work

- Check the rear brake linings. (☛ p. 110)

Main work

- Stand the vehicle upright.
- Remove screw cap ❶ with the washer and membrane ❷.
- Add brake fluid to the **MAX** mark.

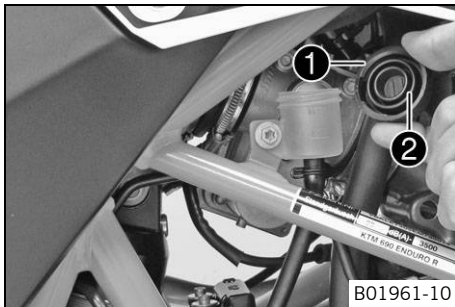
Brake fluid DOT 4 / DOT 5.1 (☛ p. 195)

- Mount the screw cap with the washer and membrane.



Info

Clean up overflowed or spilt brake fluid immediately with water.



12.12 Checking the rear brake linings



Warning

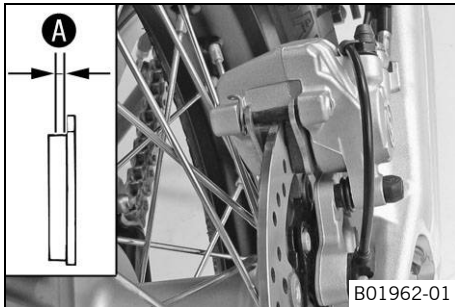
Danger of accidents Reduced braking efficiency caused by worn brake linings.

- Change worn brake linings immediately. (Your authorized KTM workshop will be glad to help.)

Note

Danger of accidents Reduced braking efficiency caused by damaged brake discs.

- If the brake linings are not changed in time, the steel brake lining carriers grind on the brake disc. The braking effect is greatly reduced and the brake discs are destroyed. Check the brake linings regularly.



- Check the brake linings for minimum thickness **A**.

Minimum thickness A	$\geq 1 \text{ mm } (\geq 0.04 \text{ in})$
----------------------------	---

- » If the minimum thickness is less than specified:
 - Change the rear brake linings. 🛠️ (👉 p. 110)
- Check the brake linings for damage and cracking.
 - » If there is wear or tearing:
 - Change the rear brake linings. 🛠️ (👉 p. 110)

12.13 Changing the rear brake linings 🛠️



Warning

Danger of accident Brake system failure.

- Maintenance work and repairs must be carried out professionally. (Your authorized KTM workshop will be glad to help.)



Warning

Skin irritation Brake fluid can cause skin irritation on contact.

- Avoid contact with skin and eyes, and keep out of the reach of children.
- Wear suitable protective clothing and goggles.
- If brake fluid comes into contact with the eyes, flush the eyes thoroughly with water and consult a physician immediately.



Warning

Danger of accidents Reduced braking efficiency due to old brake fluid.

- Change the brake fluid of the front and rear brake according to the service schedule. (Your authorized KTM workshop will be glad to help.)



Warning

Danger of accidents Reduced braking efficiency due to oil or grease on the brake discs.

- Always keep the brake discs free of oil and grease, and clean them with brake cleaner when necessary.



Warning

Danger of accidents Reduced braking efficiency due to use of non-approved brake linings.

- Brake linings available from accessory suppliers are often not tested and approved for use on KTM vehicles. The construction and friction factor of the brake linings and therefore the brake power can differ considerably from the original KTM brake linings. If brake linings are used that differ from the originals, there is no guarantee that they comply with the original license. The vehicle no longer corresponds to the condition at delivery, and the warranty is no longer valid.



Warning

Environmental hazard Hazardous substances cause environmental damage.

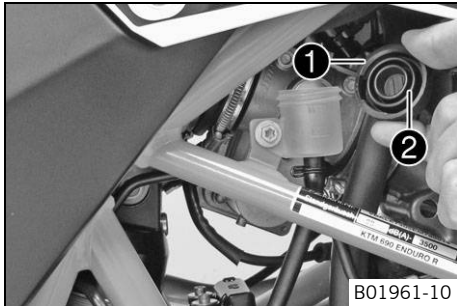
- Oil, grease, filters, fuel, cleaners, brake fluid, etc., should be disposed of as stipulated in applicable regulations.
-

i Info

Never use DOT 5 brake fluid! It is silicone-based and purple in color. Oil seals and brake lines are not designed for DOT 5 brake fluid.

Avoid contact between brake fluid and painted parts. Brake fluid attacks paint!

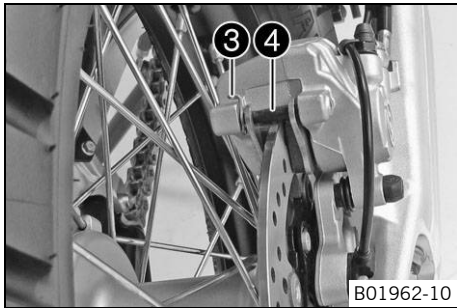
Use only clean brake fluid from a sealed container.



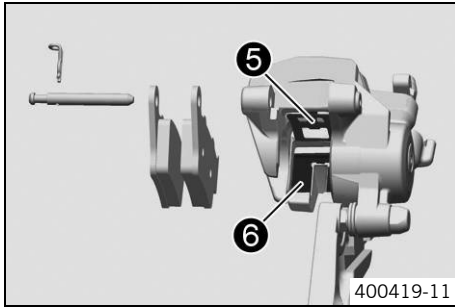
- Stand the vehicle upright.
- Remove screw cap **1** with membrane **2**.
- Press the brake caliper by hand onto the brake disc in order to retract the brake piston. Ensure that brake fluid does not flow out of the brake fluid reservoir, extracting it by suction if it does.

i Info

Make sure when pushing back the brake piston that you do not press the brake caliper against the spokes.



- Remove cotter pin **3**, remove pin **4** toward the left by striking it, and remove the brake linings.
- Clean brake caliper and brake caliper support.



- Check that leaf spring **5** in the brake caliper and sliding plate **6** in the brake caliper support are seated correctly.
- Insert the new brake linings, insert the pin, and mount the cotter pin.

i **Info**

Always change the brake linings in pairs.

- Operate the foot brake lever repeatedly until the brake linings are in contact with the brake disc and there is a pressure point.
- Adjust the brake fluid level to the **MAX** mark.

Brake fluid DOT 4 / DOT 5.1 (☞ p. 195)

- Mount the screw cap with the membrane.

i **Info**

Clean up overflowed or spilt brake fluid immediately with water.

13.1 Removing the front wheel ↘

Preparatory work

- Raise the motorcycle with the lift stand. (🔧 p. 74)

Main work

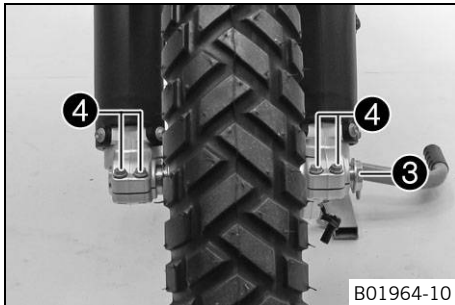
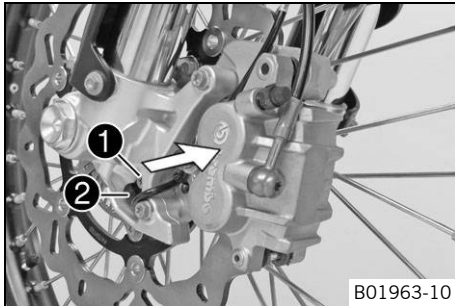
- Press the brake caliper by hand on to the brake disc in order to press back the brake pistons.



Info

Make sure when pushing back the brake pistons that you do not press the brake caliper against the spokes.

- Remove screw ❶ and pull wheel speed sensor ❷ out of the hole.
- Loosen screw ❸ by several turns.
- Loosen screws ❹.
- Press on screw ❸ to push the wheel spindle out of the axle clamp.
- Remove screw ❸.



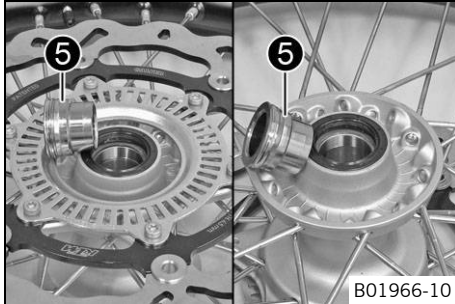


- Holding the front wheel, withdraw the wheel spindle. Take the front wheel out of the fork.



Info

Do not pull the hand brake lever when the front wheel is removed.
Always lay the wheel down in such a way that the brake disc is not damaged.



- Remove spacers **5**.

13.2 Installing the front wheel ↩

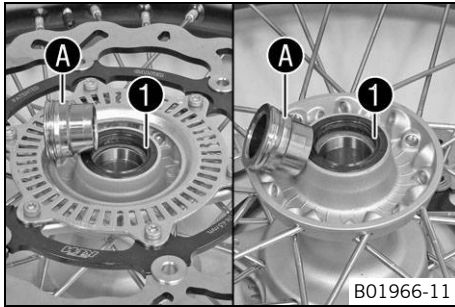


Warning

Danger of accidents Reduced braking efficiency due to oil or grease on the brake discs.

- Always keep the brake discs free of oil and grease, and clean them with brake cleaner when necessary.

13 WHEELS, TIRES

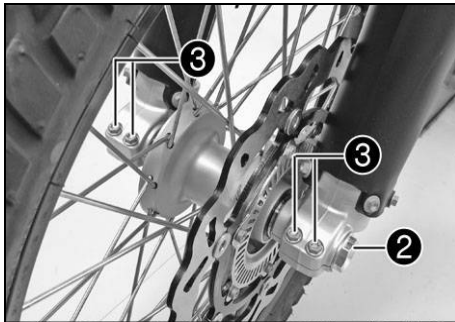


B01966-11

- Check the wheel bearing for damage and wear.
 - » If the wheel bearing is damaged or worn:
 - Replace the wheel bearing. 🛠️
- Clean and grease the shaft seal rings (1) and bearing surface (A) of the distance bushings.

Long-life grease (🛠️ p. 198)

- Insert the spacers.



- Lift the front wheel into the fork, position it, and insert the wheel spindle.
 - ✓ The brake linings are correctly positioned.
- Mount and tighten screw (2).

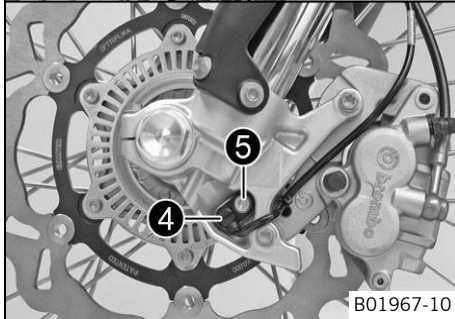
Guideline

Screw, front wheel spindle	M24x1.5	45 Nm (33.2 lbf ft)
----------------------------	---------	------------------------

- Activate the hand brake lever multiple times until the brake linings are in contact with the brake disc.
- Remove the motorcycle from the lift stand. (🛠️ p. 74)
- Pull the front wheel brake and push down hard on the fork several times to align the fork legs.
- Tighten screws (3).

Guideline

Screw, fork stub	M8	15 Nm (11.1 lbf ft)
------------------	----	------------------------



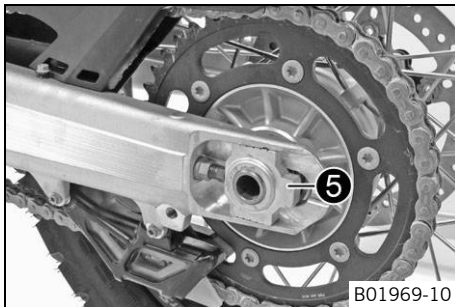
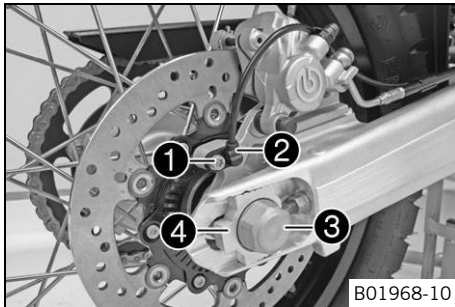
B01967-10

- Insert wheel speed sensor (4) into the hole. Mount and tighten screw (5).

Guideline

Screw, wheel speed sensor	M6	6 Nm (4.4 lbf ft)
---------------------------	----	-------------------

13.3 Removing rear wheel



Preparatory work

- Raise the motorcycle with the lift stand. (☛ p. 74)

Main work

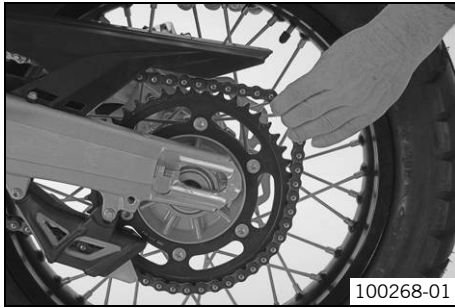
- Remove screw ① and pull wheel speed sensor ② out of the hole.
- Press the brake caliper by hand on to the brake disc in order to press back the brake piston.
- Remove nut ③. Remove chain adjuster ④.



Info

Protect the components against damage by covering them.

- Holding the rear wheel, withdraw wheel spindle ⑤.



- Push the rear wheel forwards as far as possible and take the chain off the rear sprocket.



Warning

Danger of accidents Reduced braking effect caused by damaged brake discs.

- Always lay the wheel down in such a way that the brake discs are not damaged.
-
- Take the rear wheel out of the swing arm.



Info

Do not operate the foot brake when the rear wheel is removed.

Always lay the wheel down in such a way that the brake disc is not damaged.

13.4 Installing the rear wheel 🛠️



Warning

Danger of accidents Reduced braking efficiency due to oil or grease on the brake discs.

- Always keep the brake discs free of oil and grease, and clean them with brake cleaner when necessary.



Warning

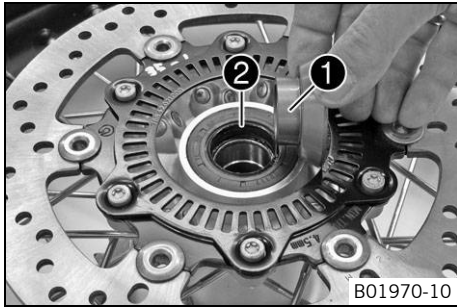
Danger of accidents No braking effect when operating the rear brake.

- After installing the rear wheel, always operate the foot brake until the pressure point is reached.

Main work

- Check the rear hub rubber dampers. 🛠️ (👉 p. 120)

13 WHEELS, TIRES



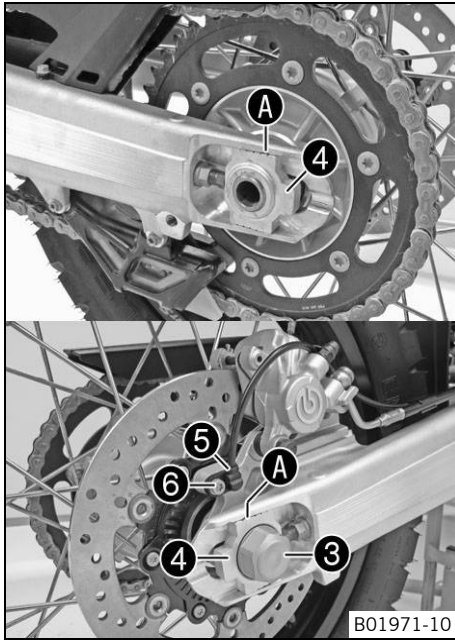
- Check the wheel bearing for damage and wear.
 - » If the wheel bearing is damaged or worn:
 - Replace the wheel bearing. 🛠️
- Remove bushing ❶. Clean and grease the contact surfaces of the bushings of shaft seal ring ❷.

Long-life grease (🛠️ p. 198)

- Clean and grease the thread of the wheel spindle and nut ❸.

Long-life grease (🛠️ p. 198)

- Install the rubber damper and rear sprocket carrier in the rear wheel.
- Position the rear wheel.
 - ✓ The brake linings are correctly positioned.



- Push the rear wheel forward as far as possible and lay the chain on the rear sprocket.
- Install the wheel spindle, the chain adjusters and the nut.

Guideline

In order that the rear wheel is correctly aligned, the markings on the left and right chain adjusters must be in the same position relative to the reference marks **A**.

i **Info**

Mount the left and right chain adjusters **4** in the same position.

- Tighten nut **3**.

Guideline

Nut, rear wheel spindle	M25x1.5	90 Nm (66.4 lbf ft)
-------------------------	---------	------------------------

- Insert wheel speed sensor **5** into the hole. Mount and tighten screw **6**.

Guideline

Screw, wheel speed sensor	M6	6 Nm (4.4 lbf ft)
---------------------------	----	-------------------

- Operate the foot brake lever repeatedly until the brake linings are in contact with the brake disc and there is a pressure point.

Finishing work

- Remove the motorcycle from the lift stand. (🔧 p. 74)

13.5 Checking the rear hub rubber dampers 🛠️

i **Info**

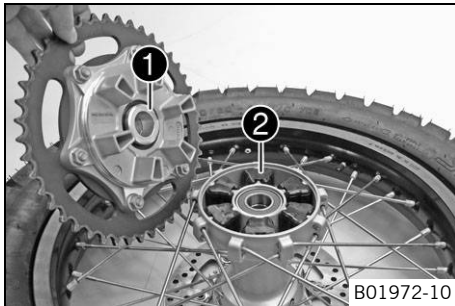
The engine power is transmitted from the rear sprocket to the rear wheel via 6 rubber dampers. They eventually wear out during operation. If the rubber dampers are not changed in time, the rear sprocket carrier and the rear hub will be damaged.

Preparatory work

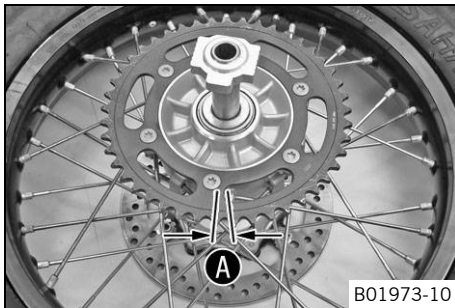
- Raise the motorcycle with the lift stand. (☞ p. 74)
- Remove the rear wheel. ☞ (☞ p. 117)

Main work

- Check bearing ①.
 - » If the bearing is damaged or worn:
 - Replace the bearings. ☞
- Check rubber dampers ② of the rear hub for damage and wear.
 - » If the rubber dampers of the rear hub are damaged or worn:
 - Change all rubber dampers in the rear hub.



- Lay the rear wheel on a workbench with the rear sprocket facing upwards and insert the wheel spindle in the hub.
- To check play A, hold the rear wheel tight and try to rotate the rear sprocket with your hand.



Info

Measure the play on the outside of the rear sprocket.

Play in rubber dampers, rear wheel	≤ 5 mm (≤ 0.2 in)
------------------------------------	-------------------

- » If play A is larger than the specified value:
 - Change all rubber dampers in the rear hub.

Finishing work

- Install the rear wheel. ☞ (☞ p. 118)
- Remove the motorcycle from the lift stand. (☞ p. 74)

13.6 Checking the tire condition



Warning

Danger of accidents Uncontrollable vehicle handling in the event of a flat tire.

- In the interest of safety, replace damaged or worn tires immediately. (Your authorized KTM workshop will be glad to help.)



Warning

Danger of crashing Poor vehicle handling due to different tire tread patterns on front and rear wheels.

- The front and rear wheels must be fitted with tires with similar tread patterns to prevent loss of control over the vehicle.



Warning

Danger of accidents Uncontrollable handling characteristic due to non-approved and/or non-recommended tires/wheels.

- Only tires/wheels approved by KTM and with the corresponding speed index should be used.



Warning

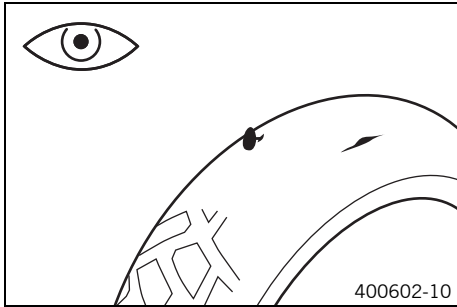
Danger of accidents Reduced road grip with new tires.

- New tires have a smooth rolling surface and therefore cannot provide full road grip. The entire rolling surface must be roughened in the first 200 kilometers (124.3 miles) by moderate riding at alternating angles. The full grip levels are not achieved until the tires have been run in.



Info

The type, condition and air pressure of the tires all have a major impact on the riding behavior of the motorcycle. Worn tires have a negative effect on riding behavior, especially on wet surfaces.



- Check the front and rear tires for cuts, run-in objects and other damage.
 - » If the tires exhibit cuts, run-in objects or other damage:
 - Change the tires.
- Check the depth of the tread.



Info

Note local national regulations concerning the minimum tread depth.

Minimum tread depth	≥ 2 mm (≥ 0.08 in)
---------------------	--------------------

- » If the tread depth is less than the minimum permissible depth:
 - Change the tires.
- Check the age of the tires.



Info

The tire's date of manufacture is usually part of the tire markings and is indicated by the last four digits of the **DOT** marking. The first two digits refer to the week of manufacture and last two digits refer to the year of manufacture. KTM recommends that the tires are changed regardless of the actual wear, at the latest after 5 years.

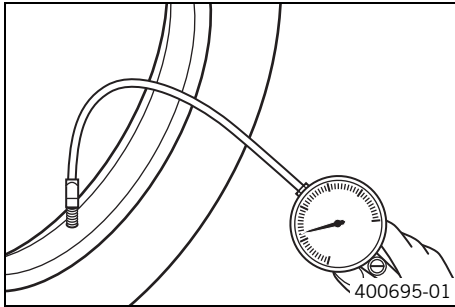
- » If a tire is more than 5 years old:
 - Change the tires.

13.7 Checking the tire air pressure



Info

Low tire air pressure leads to abnormal wear and overheating of the tire. Correct tire air pressure ensures optimal riding comfort and maximum tire service life.



- Remove the protection cap.
- Check the tire air pressure when the tires are cold.

Tire air pressure, offroad, single rider	
Front	1.5 bar (22 psi)
Rear	1.5 bar (22 psi)

Tire air pressure, road, solo	
Front	1.8 bar (26 psi)
Rear	1.8 bar (26 psi)

Tire air pressure with passenger / fully loaded	
Front	2.2 bar (32 psi)
Rear	2.2 bar (32 psi)

- » If the tire pressure does not meet specifications:
 - Correct the tire pressure.
- Mount the protection cover.

13.8 Checking the spoke tension



Warning

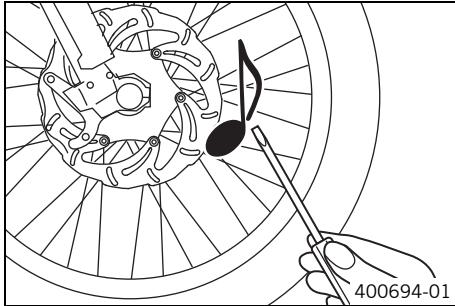
Danger of accidents Instable handling due to incorrect spoke tension.

- Ensure that the spoke tension is correct. (Your authorized KTM workshop will be glad to help.)



Info

A loose spoke causes wheel imbalance and rapidly leads to more loose spokes.
If the spokes are too tight, they can break due to local overload.
Check the spoke tension regularly, especially on a new motorcycle.



- Briefly strike each spoke with a screwdriver blade.



Info

The frequency of the tone is a function of the spoke length and spoke diameter.
If you hear different tone frequencies from individual spokes of the same length and thickness, this is an indication of different spoke tensions.

You should hear a high note.

- » If the spoke tensions differ:
 - Correct the spoke tension. 🛠️

14.1 Removing the battery ↩



Warning

Risk of injury Battery acid and battery gases cause serious chemical burns.

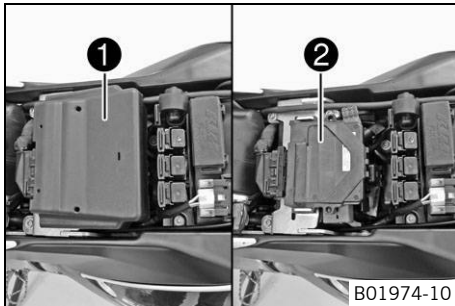
- Keep batteries out of the reach of children.
- Wear suitable protective clothing and goggles.
- Avoid contact with battery acid and battery gases.
- Keep sparks and open flames away from the battery. Only charge in well-ventilated rooms.
- In the event of skin contact, rinse with large amounts of water. If battery acid gets in the eyes, rinse with water for at least 15 minutes and contact a physician.

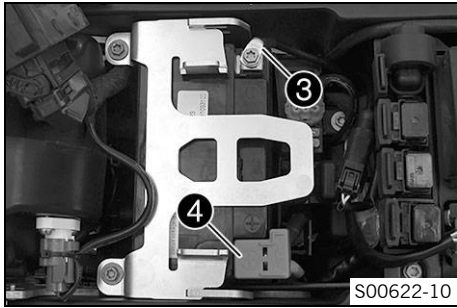
Preparatory work

- Switch off all power consumers and switch off the engine.
- Remove the seat. (🔧 p. 80)

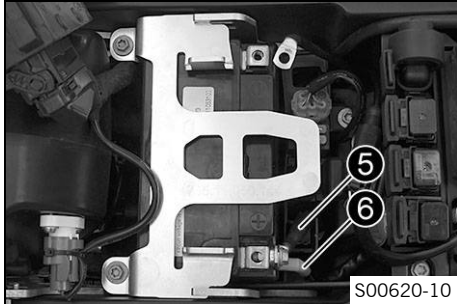
Main work

- Remove battery cover ①.
- Pull the EFI control unit ② off of the holder and set it to one side.

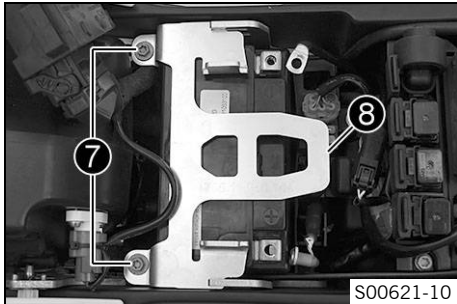




- Disconnect negative cable ③ of the battery.
- Take off the positive pole cover ④.



- Disconnect the ABS connection cable ⑤ and positive cable ⑥ from the battery.

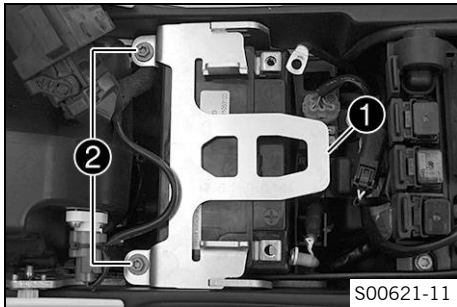


- Remove screws ⑦.
- Pull retaining bracket ⑧ of the battery forward and remove it.
- Lift the battery up and out.

i **Info**

Never operate the motorcycle with a discharged battery or without a battery. In both cases, electrical components and safety devices can be damaged. The vehicle is therefore no longer roadworthy.

14.2 Installing the battery ↩



Main work

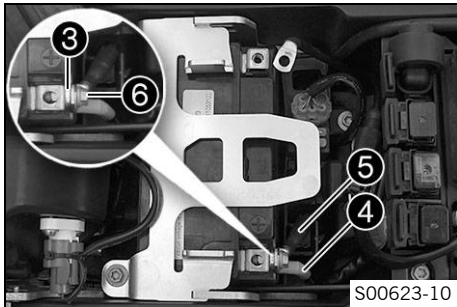
- Insert the battery into the battery compartment with the terminals facing rearward.

Battery (YTZ10S) (↩ p. 188)

- Position retaining bracket **1** and mount and tighten screws **2**.

Guideline

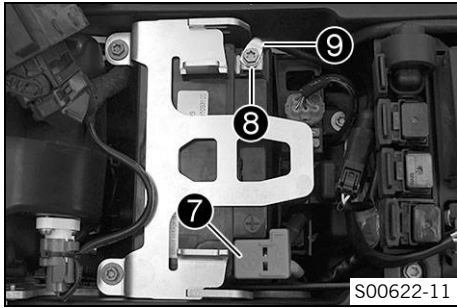
Remaining screws, chassis	M6	10 Nm (7.4 lbf ft)
---------------------------	----	--------------------



- Position washer **3**, positive cable **4**, and ABS connection cable **5**.
- Mount and tighten screw **6**.

Guideline

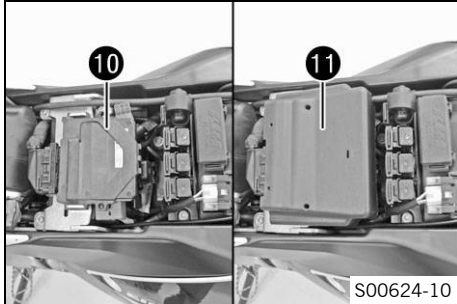
Remaining screws, chassis	M6	10 Nm (7.4 lbf ft)
---------------------------	----	--------------------



- Position positive terminal cover 7.
- Position washer 8 and negative cable 9, and mount and tighten the screw.

Guideline

Remaining screws, chassis	M6	10 Nm (7.4 lbf ft)
---------------------------	----	--------------------



- Position EFI control unit 10.
- Mount battery cover 11.

Finishing work

- Mount the seat. (🔧 p. 80)
- Set the clock. (🔧 p. 32)

14.3 Recharging the battery ↩



Warning

Risk of injury Battery acid and battery gases cause serious chemical burns.

- Keep batteries out of the reach of children.
- Wear suitable protective clothing and goggles.
- Avoid contact with battery acid and battery gases.
- Keep sparks and open flames away from the battery. Only charge in well-ventilated rooms.
- In the event of skin contact, rinse with large amounts of water. If battery acid gets in the eyes, rinse with water for at least 15 minutes and contact a physician.



Warning

Environmental hazard The battery contains elements that are harmful to the environment.

- Do not dispose of batteries with the household waste. Dispose of a defective battery in an environmentally friendly manner. Give the battery to your authorized KTM dealer or dispose of it at a collection point for used batteries.



Warning

Environmental hazard Hazardous substances cause environmental damage.

- Oil, grease, filters, fuel, cleaners, brake fluid, etc., should be disposed of as stipulated in applicable regulations.
-



Info

Even when there is no load on the battery, it still loses power steadily.

The charging level and the method of charging are very important for the service life of the battery.

Rapid recharging with a high charging current shortens the battery's service life.

If the charging current, charging voltage and charging time are exceeded, electrolyte escapes through the safety valves. This reduces the battery capacity.

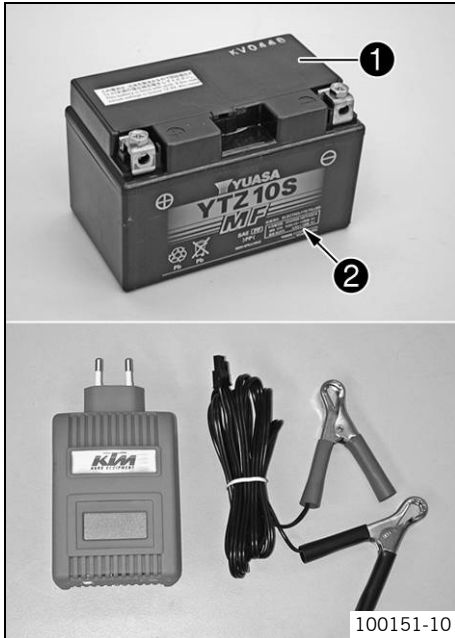
If the battery is depleted from starting the vehicle repeatedly, the battery must be charged immediately.

If the battery is left in a discharged state for an extended period, it will become over-discharged and sulfate, destroying the battery.

The battery is maintenance-free, which means that the acid level does not need to be checked.

Preparatory work

- Switch off all power consumers and switch off the engine.
- Remove the seat. (🔧 p. 80)
- Remove the battery. 🛠️ (🔧 p. 126)



Main work

- Connect the battery charger to the battery. Switch on the battery charger.

Battery charger (58429074000)

You can also use the battery charger to test rest potential and start potential of the battery, and to test the alternator. With this device, you cannot overcharge the battery.

i Info

Never remove lid **1**.

Charge the battery with a maximum of 10% of the capacity specified on the battery housing **2**.

- Switch off the battery charger after charging and disconnect from the battery.

Guideline

The charge current, charge voltage and charge time must not be exceeded.	
Charge the battery regularly when the motorcycle is not in use	3 months

Finishing work

- Install the battery. (🔧 (👉 p. 128))
- Mount the seat. (👉 p. 80)
- Set the clock. (👉 p. 32)

14.4 Changing the main fuse



Warning

Fire hazard The electrical system can be overloaded if the wrong fuses are used.

- Use only fuses with the prescribed amperage. Never bypass or repair fuses.



Info

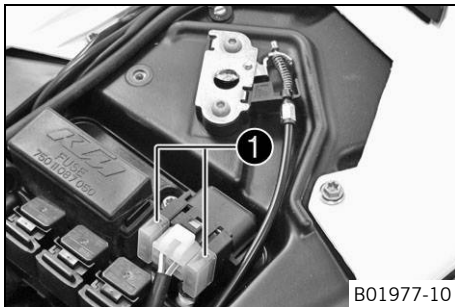
The main fuse protects all power consumers in the vehicle. It is in the housing of the starter relay next to the battery.

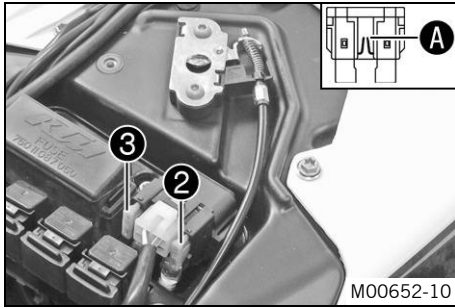
Preparatory work

- Switch off all power consumers and switch off the engine.
- Remove the seat. (↖ p. 80)

Main work

- Remove protection covers ❶.





- Remove a defective main fuse **2** with needle nose pliers.



Info

A defective fuse is indicated by a burned-out fuse wire **A**.
A reserve fuse **3** is located in the starter relay.

- Install a new main fuse.

Fuse (58011109130) (☞ p. 188)



Info

Insert a new replacement fuse into the starter relay to have it available when needed.

- Check the functioning of the electrical equipment.
- Mount the protection covers.

Finishing work

- Mount the seat. (☞ p. 80)
- Set the clock. (☞ p. 32)

14.5 Changing the ABS fuses



Warning

Fire hazard The electrical system can be overloaded if the wrong fuses are used.

- Use only fuses with the prescribed amperage. Never bypass or repair fuses.



Info

Two fuses for the ABS are located under the seat. These fuses protect the return pump and the hydraulic unit of the ABS. The third fuse, which protects the ABS control unit, is located in the fuse box.

Preparatory work

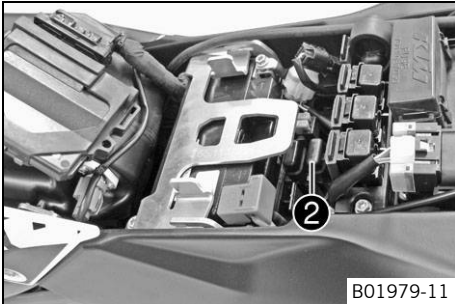
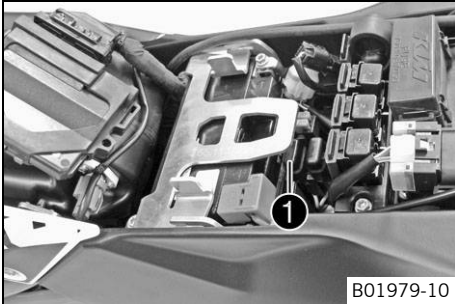
- Switch off all power consumers and switch off the engine.
- Remove the seat. (☛ p. 80)
- Remove the battery cover.
- Pull the EFI control unit off of the holder and set it to one side.

To change the fuse of the ABS hydraulic unit:

- Take off protection cap ❶ and remove the fuse.
- Insert a new fuse.

Fuse (58011109115) (☛ p. 188)

- Mount the protection cap.



To change the fuse of the ABS return pump:

- Take off protection cap ❷ and remove the fuse.
- Insert a new fuse.

Fuse (58011109125) (☛ p. 188)

- Mount the protection cap.

Finishing work

- Position the EFI control unit.
- Mount the battery cover.
- Mount the seat. (☛ p. 80)

14.6 Changing fuses of individual power consumers



Info

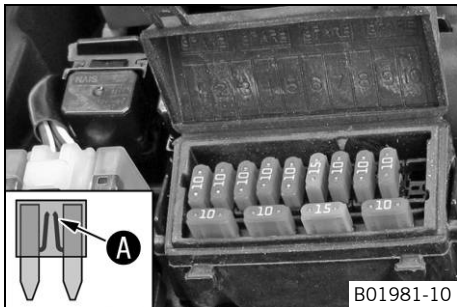
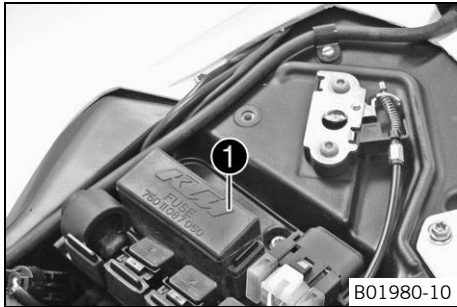
The fuse box containing the fuses of individual power consumers is located under the seat.

Preparatory work

- Switch off all power consumers and switch off the engine.
- Remove the seat. (☛ p. 80)

Main work

- Open fuse box cover ❶.




- Remove the defective fuse.

Guideline

Fuse 1 - 10 A - ignition, combination instrument, clock, EFI control unit
Fuse 2 - 10 A - ignition, combination instrument, EFI control unit
Fuse 3 - 10 A - fuel pump
Fuse 4 - 10 A - radiator fan
Fuse 5 - 10 A - horn, brake light, turn signal
Fuse 6 - 15 A - high beam, low beam, parking light, tail light, license plate lamp
Fuse 7 - 10 A - for auxiliary equipment (permanent positive)
Fuse 8 - 10 A - for supplementary equipment (accessories connected with ignition switch)
Fuse 9 - 10 A - ABS
Fuse 10 - not used
Fuse SPARE - 10 A/15 A - spare fuses



Info

A defective fuse is indicated by a burned-out fuse wire .



Warning

Fire hazard The electrical system can be overloaded if the wrong fuses are used.

- Use only fuses with the prescribed amperage. Never bypass or repair fuses.

- Replace with a spare fuse of the right rating.

Fuse (75011088010) (☛ p. 188)

Fuse (75011088015) (☛ p. 188)

**Tip**

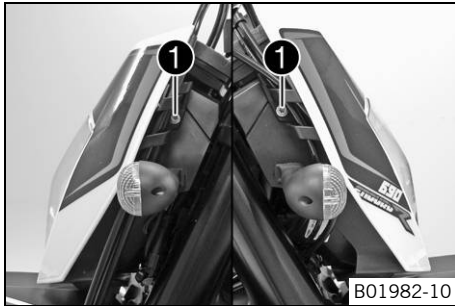
Put a new spare fuse in the fuse box for future use if needed.

- Check the function of power consumers.
- Close the fuse box cover.

Finishing work

- Mount the seat. (👉 p. 80)

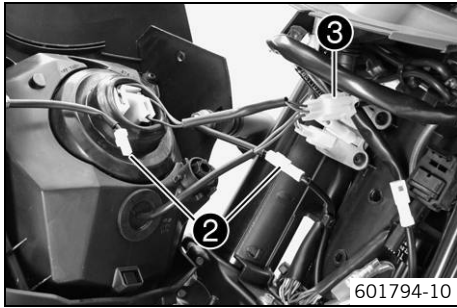
14.7 Removing the headlight mask with the headlight

**Preparatory work**

- Switch off all power consumers and switch off the engine.

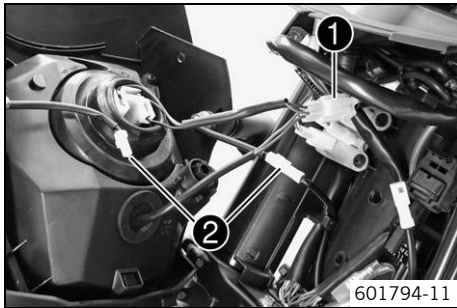
Main work

- Cover the fender with a cloth to protect it from damage.
- Remove screws ① on both sides.
- Tip the headlight mask forward.



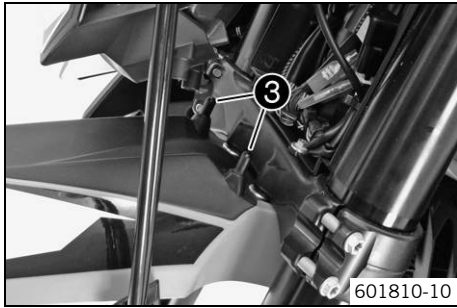
- Disconnect plug-in connector ② of the turn signals and ③ of the headlight.
- Remove the headlight mask.

14.8 Installing the headlight mask with the headlight

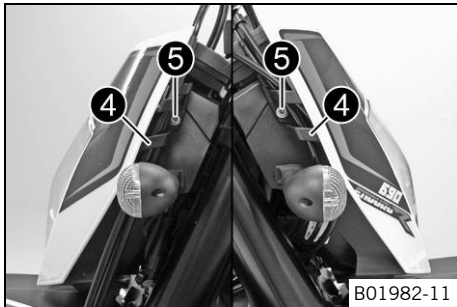


Main work

- Connect plug-in connectors ① of the headlight and ② of the turn signals.
- Check that the lighting is functioning properly.



- Remove the cloth from the fender and position the headlight mask.
 ✓ Holding lugs ③ reach into the headlight mask.



- Position line guides ④. Mount and tighten screws ⑤.

Guideline

Screw, headlight mask	M5	5 Nm (3.7 lbf ft)
-----------------------	----	-------------------

Finishing work

- Check the headlight setting. (👉 p. 145)

14.9 Changing the headlight bulb

Note

Damage to reflector Reduced brightness.

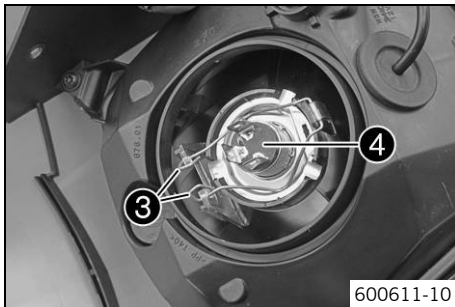
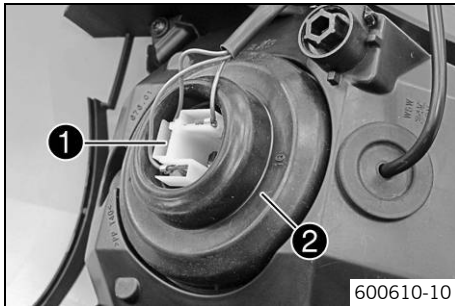
- Grease on the lamp will evaporate due to the heat and be deposited on the reflector. Clean the lamp and keep it free of grease before mounting.

Preparatory work

- Switch off all power consumers and switch off the engine.
- Remove the headlight mask with the headlight. (☛ p. 138)

Main work

- Pull off connector ❶.
- Take off protection cap ❷ of the headlight bulb.



- Detach spring bar ❸.
- Remove headlight bulb ❹.
- Insert a new headlight bulb into the headlight housing.

Headlight (H4 / socket P43t) (☛ p. 188)

- Fix the headlight bulb in the headlight using the spring bar.
- Mount the protection cap. Attach the connector.

Finishing work

- Install the headlight mask with the headlight. (☛ p. 139)
- Check the headlight setting. (☛ p. 145)

14.10 Changing the parking light bulb

Note

Damage to reflector Reduced brightness.

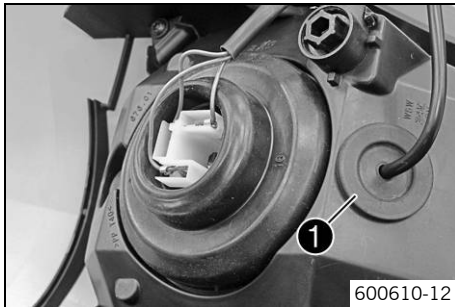
- Grease on the lamp will evaporate due to the heat and be deposited on the reflector. Clean the lamp and keep it free of grease before mounting.

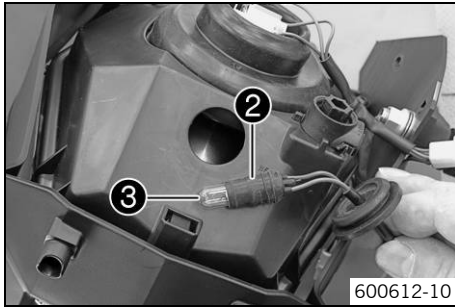
Preparatory work

- Switch off all power consumers and switch off the engine.
- Remove the headlight mask with the headlight. (☛ p. 138)

Main work

- Remove protection cap ❶.





- Pull bulb socket ② out of the reflector.
- Pull parking light bulb ③ out of the bulb socket.
- Insert a new parking light bulb in the bulb socket.

Parking light (W5W / socket W2.1x9.5d) (☛ p. 188)

- Insert the bulb socket in the reflector.
- Insert the protection cap.

Finishing work

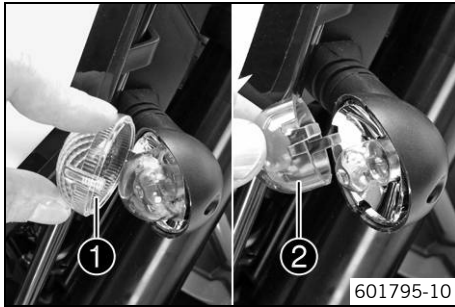
- Install the headlight mask with the headlight. (☛ p. 139)
- Check the headlight setting. (☛ p. 145)

14.11 Changing the turn signal bulb

Note

Damage to reflector Reduced brightness.

- Grease on the lamp will evaporate due to the heat and be deposited on the reflector. Clean the lamp and keep it free of grease before mounting.



Main work

- Remove the screw on the rear of the turn signal housing.
- Tilt headlamp diffuser **1** forward carefully and take it off.
- Lightly squeeze the orange plug **2** in the area of the holding lugs and take it off.
- Press the turn signal bulb carefully into the socket, turn it counterclockwise by about 30°, and take it out of the socket.

i Info

Do not touch the reflector with your fingers, and keep it free from grease.

- Press the new turn signal bulb carefully into the socket and turn it clockwise until it stops.

Turn signal (R10W / socket BA15s) (☛ p. 188)

- Mount the orange plug.
- Position the diffuser.
- Insert the screw and turn it counterclockwise first until it engages in the thread. Tighten the screw slightly.

Finishing work

- Check that the turn signal system is functioning properly.



Main work

- Turn adjusting screw ❶ to adjust the headlight range.

Guideline

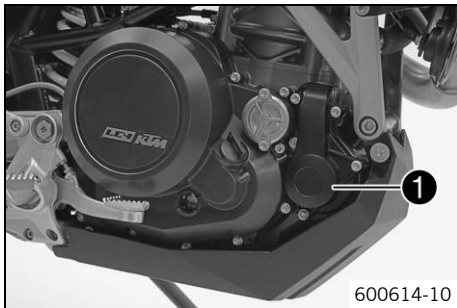
The boundary between light and dark must be exactly on the lower mark for a motorcycle with a rider (instructions on how to apply the mark: Checking the headlight setting).

Info

Turn clockwise to increase the headlight range; turn counterclockwise to reduce the headlight range.

If you have a heavy payload, you will need to correct the headlight range.

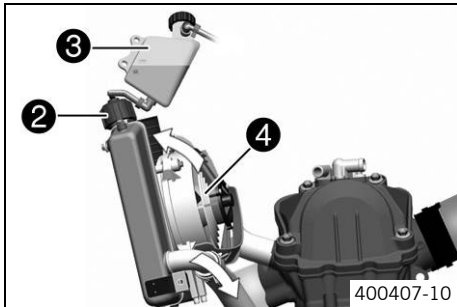
15.1 Cooling system



The water pump **1** in the engine forces the coolant to flow.

The pressure in the cooling system resulting from heat is regulated by a valve in the radiator cap **2**. The heat expansion causes the surplus coolant to flow into the compensating tank **3**. When the temperature falls, this surplus coolant is sucked back into the cooling system. This permits the specified coolant temperature without causing any malfunctions.

125 °C (257 °F)



Cooling takes place by means of the air stream and a radiator fan **4**, which is controlled by a thermostitch.

The lower the speed, the less the cooling effect. Dirty cooling fins also reduce the cooling effect.

15.2 Checking the antifreeze and coolant level



Warning

Danger of scalding During motorcycle operation, the coolant gets very hot and is under pressure.

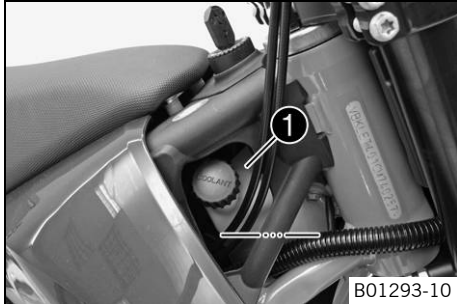
- Do not remove the radiator cap, radiator hoses or other cooling system components when the engine is hot. Allow the engine and cooling system to cool down. In case of scalding, rinse immediately with lukewarm water.



Warning

Danger of poisoning Coolant is poisonous and a health hazard.

- Coolant must not come into contact with the skin, eyes, or clothing. If contact occurs with the eyes, rinse with water immediately and contact a physician. Immediately clean contaminated areas on the skin with soap and water. If coolant is swallowed, contact a physician immediately. Change clothing that is contaminated with coolant. Keep coolant out of reach of children.



Condition

Engine is cold.

- Stand the motorcycle on its side stand on a horizontal surface.
- Remove the cap of compensating tank ①.
- Check antifreeze of coolant.

-25... -45 °C (-13... -49 °F)

- » If the antifreeze of the coolant does not meet specifications:
 - Correct the antifreeze of the coolant.

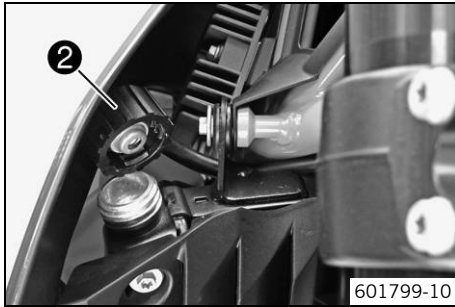
- Check the coolant level in the compensating tank.

The coolant level must be within the range shown in the figure.

- » If the coolant level does not meet specifications:
 - Correct the coolant level.

Coolant (☛ p. 195)

- Mount the cap of the compensating tank.



- Screw off the radiator cap ②.
- Check antifreeze of coolant.

-25... -45 °C (-13... -49 °F)

» If the antifreeze of the coolant does not meet specifications:

- Correct the antifreeze of the coolant.

- Check the coolant level in the radiator.

The radiator must be completely filled.

» If the coolant level does not meet specifications:

- Correct the coolant level and find out the cause of the loss.

Coolant (☛ p. 195)

- Mount the radiator cap.

15.3 Checking the coolant level



Warning

Danger of scalding During motorcycle operation, the coolant gets very hot and is under pressure.

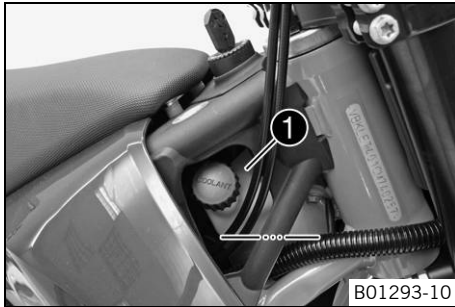
- Do not remove the radiator cap, radiator hoses or other cooling system components when the engine is hot. Allow the engine and cooling system to cool down. In case of scalding, rinse immediately with lukewarm water.



Warning

Danger of poisoning Coolant is poisonous and a health hazard.

- Coolant must not come into contact with the skin, eyes, or clothing. If contact occurs with the eyes, rinse with water immediately and contact a physician. Immediately clean contaminated areas on the skin with soap and water. If coolant is swallowed, contact a physician immediately. Change clothing that is contaminated with coolant. Keep coolant out of reach of children.



Condition

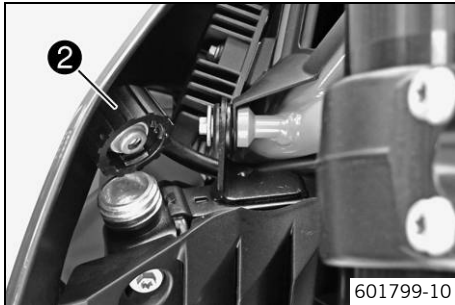
Engine is cold.

- Stand the motorcycle on its side stand on a horizontal surface.
- Check the coolant level in the compensating tank ①.

The coolant level must be within the range shown in the figure.

- » If the coolant level does not meet specifications:
 - Correct the coolant level.

Coolant (👉 p. 195)



- Screw off the radiator cap ② and check the coolant level in the radiator.

The radiator must be completely filled.

- » If the coolant level does not meet specifications:
 - Correct the coolant level and find out the cause of the loss.

Coolant (👉 p. 195)

- Mount the radiator cap.

15.4 Draining the coolant 🛠



Warning

Danger of scalding During motorcycle operation, the coolant gets very hot and is under pressure.

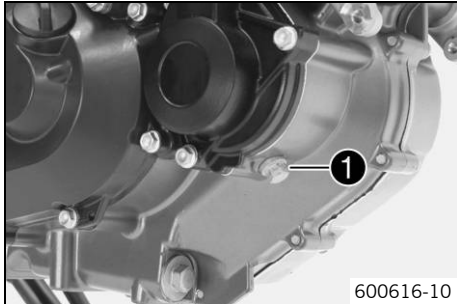
- Do not remove the radiator cap, radiator hoses or other cooling system components when the engine is hot. Allow the engine and cooling system to cool down. In case of scalding, rinse immediately with lukewarm water.



Warning

Danger of poisoning Coolant is poisonous and a health hazard.

- Coolant must not come into contact with the skin, eyes, or clothing. If contact occurs with the eyes, rinse with water immediately and contact a physician. Immediately clean contaminated areas on the skin with soap and water. If coolant is swallowed, contact a physician immediately. Change clothing that is contaminated with coolant. Keep coolant out of reach of children.



Preparatory work

- Remove the engine guard. (🔧 p. 94)

Main work

- Stand the motorcycle upright.
- Place a suitable container under the engine.
- Remove screw ①. Take off the radiator cap.
- Completely drain the coolant.
- Mount screw ① with a new seal ring and tighten it.

Guideline

Plug, drain hole of water pump	M10x1	15 Nm (11.1 lbf ft)
--------------------------------	-------	------------------------

Finishing work

- Install the engine guard. (🔧 p. 95)

15.5 Filling/bleeding the cooling system 🛠️

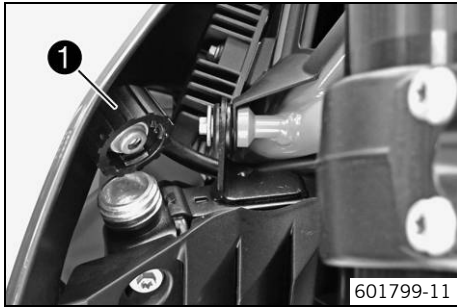


Warning

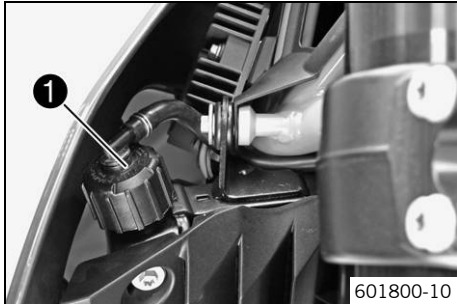
Danger of poisoning Coolant is poisonous and a health hazard.

- Coolant must not come into contact with the skin, eyes, or clothing. If contact occurs with the eyes, rinse with water immediately and contact a physician. Immediately clean contaminated areas on the skin with soap and water. If coolant is swallowed, contact a physician immediately. Change clothing that is contaminated with coolant. Keep coolant out of reach of children.

15 COOLING SYSTEM



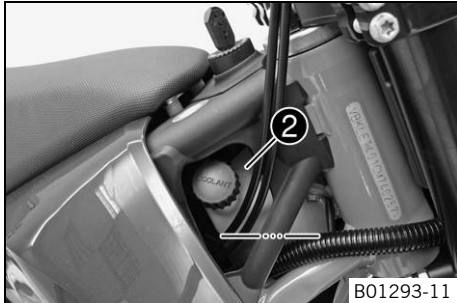
- Stand the motorcycle on its side stand on a horizontal surface.
- Remove radiator cap ①.



- Refill the coolant.

Coolant (☛ p. 195)

- Fill the radiator completely with coolant. Mount radiator cap ①.



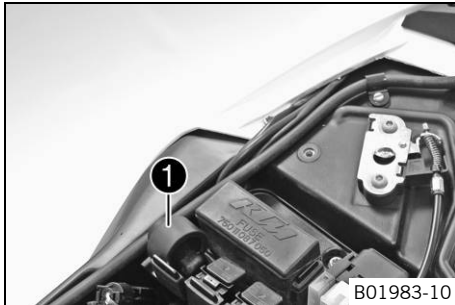
- Remove the cap from compensating tank ② and add coolant to the level shown in the figure.
- Mount the cap of the compensating tank.

**Danger**

Danger of poisoning Exhaust gases are toxic and inhaling them may result in unconsciousness and/or death.

- When running the engine, always make sure there is sufficient ventilation, and do not start or run the engine in an enclosed space without an effective exhaust extraction system.
-
- Start the engine and run it until the 5th bar of the temperature indicator lights up.
 - Switch off the engine and allow it to cool down.
 - After the engine has cooled down, check the coolant level in the radiator and in the compensating tank again and add more coolant if necessary.
 - Check the coolant level. (☛ p. 149)

16.1 Adjusting the engine characteristic

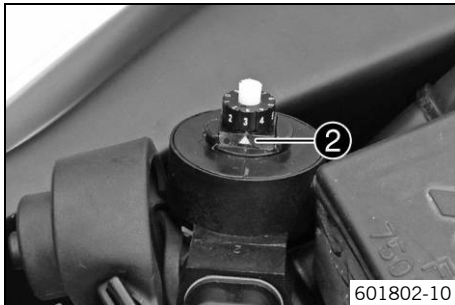


Preparatory work

- Switch off the ignition by turning the ignition key to position **OFF** ☒.
- Remove the seat. (👉 p. 80)

Main work

- Pull the **Map-Select** switch and holder **1** upward off of the retaining bracket.
- Pull the **Map-Select** switch out of the holder.



- Turn the adjusting wheel until the desired digit is next to marking **2**.

Set the Map-Select switch to Soft.

- Set the adjusting wheel to position **1**.
 - ✓ Soft – reduced homologated peak performance for better driveability.

Set the Map-Select switch to Advanced.

- Set the adjusting wheel to position **2**.
 - ✓ Advanced – homologated performance with extremely direct responsiveness.

Set the Map-Select switch to Standard.

- Set the adjusting wheel to position **3, 4, 5, 6, 7, 8 or 9**.
 - ✓ Standard – homologated performance with balanced responsiveness.

Set the Map-Select switch to poor fuel quality.

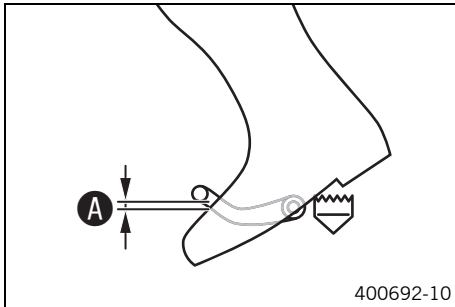
- Set the adjusting wheel to position **0**.
 - ✓ Poor fuel quality – homologated performance is reduced in accordance with the fuel quality, use for no more than 1 tank of fuel

- Position the **Map-Select** switch in the holder.
- Slide the **Map-Select** switch with the holder downward onto the retaining bracket.

Finishing work

- Mount the seat. (🔧 p. 80)

16.2 Checking the basic position of the shift lever

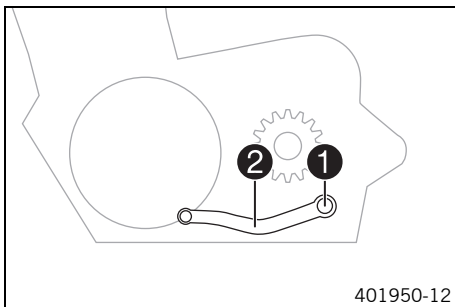


- Sit on the vehicle in the riding position and determine distance **A** between the upper edge of your boot and the shift lever.

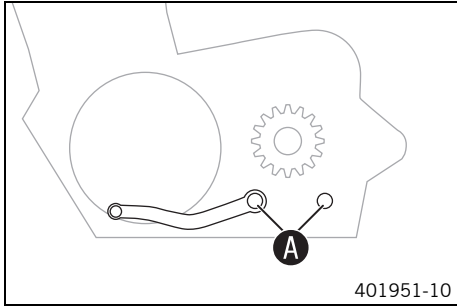
Distance between shift lever and upper edge of boot	10... 20 mm (0.39... 0.79 in)
---	-------------------------------

- » If the distance does not meet specifications:
 - Adjust the basic position of the shift lever. 🛠️ (🔧 p. 155)

16.3 Adjusting the basic position of the shift lever 🛠️



- Remove screw **1** and take off shift lever **2**.



- Clean gear teeth **A** of the shift lever and shift shaft.
- Mount the shift lever **2** on the shift shaft in the required position and engage the gearing.

i **Info**

The range of adjustment is limited.
The shift lever must not come into contact with any other vehicle components during the shift procedure.

- Mount and tighten screw **1**.

Guideline

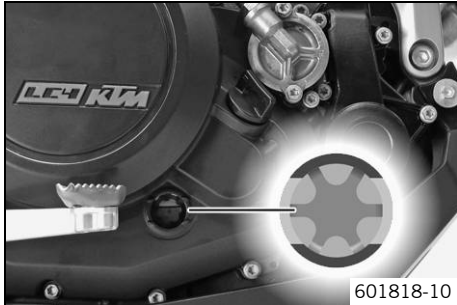
Screw, shift lever	M6	14 Nm (10.3 lbf ft)	Loctite® 243™
--------------------	----	------------------------	----------------------

17.1 Checking the engine oil level



Info

The engine oil level must be checked when the engine is warm.



Condition

The engine is at operating temperature.

Preparatory work

- Stand the motorcycle upright on a horizontal surface.

Main work

- Check the engine oil level.



Info











After switching off the engine, wait one minute before checking the level.

The engine oil must be between the lower and upper edge of the oil level viewer.

- » If the engine oil level is not at the specified level:
 - Add the engine oil. (👉 p. 164)

17.2 Changing the engine oil and filter, cleaning the oil screens



- Drain the engine oil.  ( p. 158)
- Remove the oil filter.  ( p. 159)
- Clean the oil screens.  ( p. 161)
- Install the oil filter.  ( p. 163)
- Fill up with engine oil.  ( p. 163)

17.3 Draining the engine oil



Warning

Danger of scalding Engine oil and gear oil get very hot when the motorcycle is ridden.

- Wear appropriate protective clothing and safety gloves. In case of burns, rinse immediately with lukewarm water.



Warning

Environmental hazard Hazardous substances cause environmental damage.

- Oil, grease, filters, fuel, cleaners, brake fluid, etc., should be disposed of as stipulated in applicable regulations.

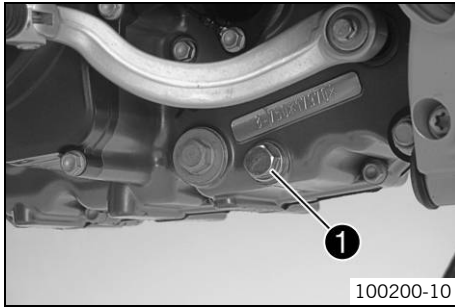


Info

Drain the engine oil only when the engine is warm.

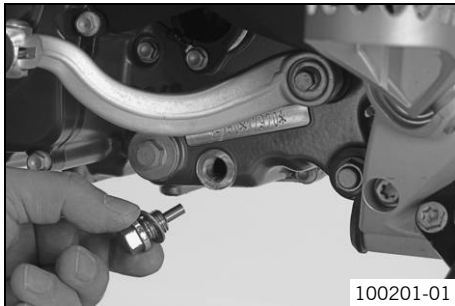
Preparatory work

- Remove the engine guard. ( p. 94)



Main work

- Place a suitable container under the engine.
- Remove the oil drain plug ❶ with the magnet and seal ring.
- Completely drain the engine oil.



- Thoroughly clean the oil drain plug with a magnet.
- Mount the oil drain plug with the magnet and seal ring and tighten it.

Guideline

Oil drain plug with magnet	M12x1.5	20 Nm (14.8 lbf ft)
----------------------------	---------	------------------------

17.4 Removing the oil filter 🛠️



Warning

Danger of scalding Engine oil and gear oil get very hot when the motorcycle is ridden.

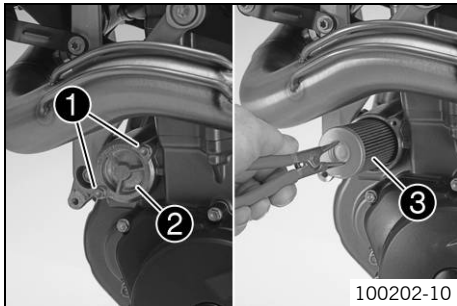
- Wear appropriate protective clothing and safety gloves. In case of burns, rinse immediately with lukewarm water.



Warning

Environmental hazard Hazardous substances cause environmental damage.

- Oil, grease, filters, fuel, cleaners, brake fluid, etc., should be disposed of as stipulated in applicable regulations.



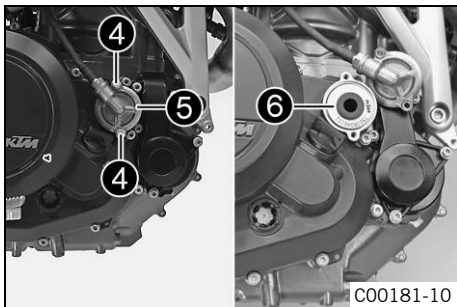
Preparatory work

- Place a suitable container under the engine.

Main work

- Remove screws ①. Remove the oil filter cover ② with the O-ring.
- Pull oil filter ③ out of the oil filter housing.

Circlip pliers reverse (51012011000)





- Remove screws ④. Take off the oil filter cover ⑤ with the O-ring.
- Pull oil filter ⑥ out of the oil filter housing.

Circlip pliers reverse (51012011000)

- Completely drain the engine oil.
- Thoroughly clean the parts and sealing area.

17.5 Cleaning the oil screens

-  **Warning**
Danger of scalding Engine oil and gear oil get very hot when the motorcycle is ridden.
- Wear appropriate protective clothing and safety gloves. In case of burns, rinse immediately with lukewarm water.

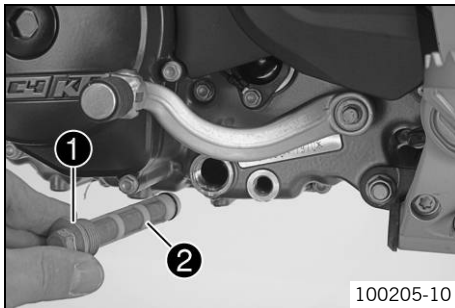
-  **Warning**
Environmental hazard Hazardous substances cause environmental damage.
- Oil, grease, filters, fuel, cleaners, brake fluid, etc., should be disposed of as stipulated in applicable regulations.

Preparatory work

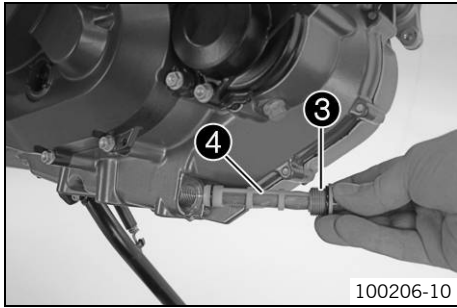
- Place a suitable container under the engine.

Main work

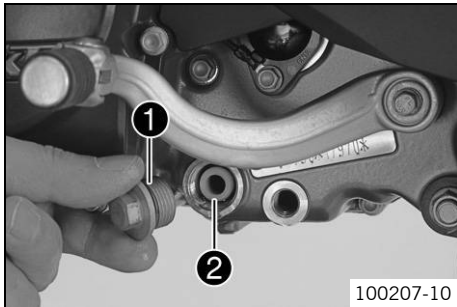
- Remove screw plug **1** with oil screen **2** and the O-rings.



17 SERVICE WORK ON THE ENGINE



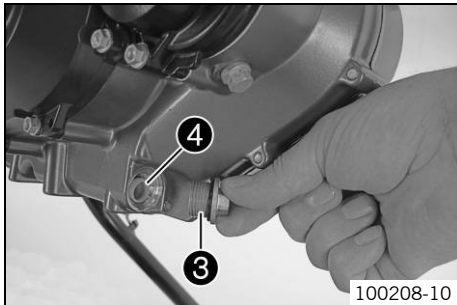
- Remove screw plug ③ with oil screen ④ and the O-rings.
- Completely drain the remaining engine oil.
- Thoroughly clean the parts and sealing area.



- Position oil screen ② with the O-rings.
- Mount and tighten screw plug ① with the O-ring.

Guideline

Plug, oil screen	M20x1.5	15 Nm (11.1 lbf ft)
------------------	---------	------------------------

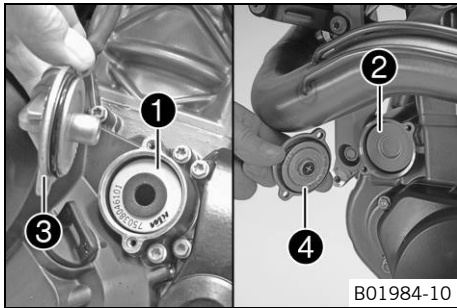


- Position oil screen ④ with the O-rings.
- Mount and tighten screw plug ③ with the O-ring.

Guideline

Plug, oil screen	M20x1.5	15 Nm (11.1 lbf ft)
------------------	---------	------------------------

17.6 Installing the oil filter ↗



- Insert oil filters ① and ②.
- Oil the O-rings of the oil filter covers. Mount oil filter covers ③ and ④.
- Mount and tighten the screws.

Guideline

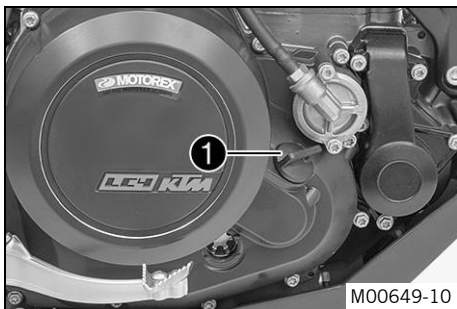
Screw, oil filter cover	M5x16	6 Nm (4.4 lbf ft)
-------------------------	-------	-------------------

17.7 Filling up with engine oil ↗



Info

Too little engine oil or poor-quality engine oil results in premature wear to the engine.



Main work

- Remove filler plug with O-ring ① from the clutch cover and add engine oil.

Engine oil	1.70 l (1.8 qt.)	Engine oil (SAE 10W/60) (00062010035) (☛ p. 195)
		Alternative engine oil oil
		Engine oil (SAE 10W/50) (☛ p. 196)

- Refit plug with O-ring ① and tighten it.



Danger

Danger of poisoning Exhaust gases are toxic and inhaling them may result in unconsciousness and/or death.

- When running the engine, always make sure there is sufficient ventilation, and do not start or run the engine in an enclosed space without an effective exhaust extraction system.

- Start the engine and check that it is oil-tight.

Finishing work

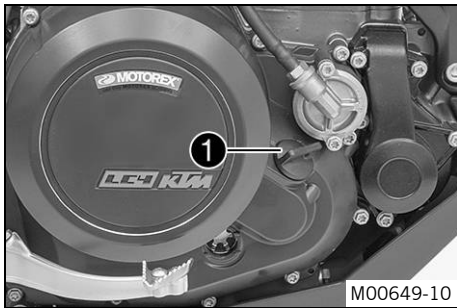
- Install the engine guard. (👉 p. 95)
- Check the engine oil level. (👉 p. 157)

17.8 Adding engine oil



Info

Too little engine oil or poor-quality engine oil results in premature wear to the engine.



Main work

- Remove the oil filler plug **1** with the O-ring from the clutch cover and fill up with engine oil.

Engine oil (SAE 10W/60) (00062010035) (👉 p. 195)

Engine oil (SAE 10W/50) (👉 p. 196)



Info

For optimal performance of the engine oil, do not mix different types of engine oil.

If appropriate, change the engine oil.

- Install and tighten the oil filler plug **1** with the O-ring.
-

**Danger**

Danger of poisoning Exhaust gases are toxic and inhaling them may result in unconsciousness and/or death.

- When running the engine, always make sure there is sufficient ventilation, and do not start or run the engine in an enclosed space without an effective exhaust extraction system.
-

- Start the engine and check that it is oil-tight.

Finishing work

- Check the engine oil level. (👉 p. 157)

18.1 Cleaning the motorcycle

Note

Material damage Damage and destruction of components by high-pressure cleaning equipment.

- When cleaning the vehicle with a pressure cleaner, do not point the water jet directly onto electrical components, connectors, cables, bearings, etc. Maintain a minimum distance of 60 cm between the nozzle of the pressure cleaner and the component. Excessive pressure can cause malfunctions or destroy these parts.



Warning

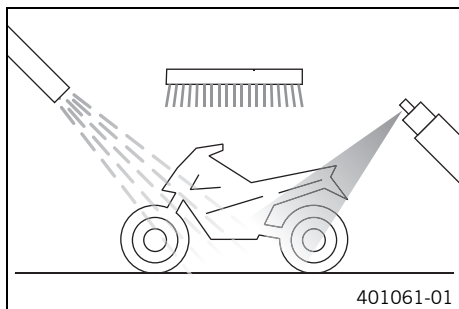
Environmental hazard Hazardous substances cause environmental damage.

- Oil, grease, filters, fuel, cleaners, brake fluid, etc., should be disposed of as stipulated in applicable regulations.



Info

If you clean the motorcycle regularly, its value and appearance will be maintained over a long period.
Avoid direct sunshine on the motorcycle during cleaning.



- Seal the exhaust system to keep water out.
- First remove coarse dirt particles with a gentle spray of water.
- Spray very dirty areas with a normal motorcycle cleaner and then clean with a brush.

Motorcycle cleaner (☛ p. 198)



Info

Use warm water containing normal motorcycle cleaner and a soft sponge.
Never apply motorcycle cleaner to the dry vehicle; always rinse with water first.
If the vehicle was operated in road salt, clean it with cold water. Warm water enhances the corrosive effects of salt.

- After rinsing the motorcycle with a gentle spray of water, allow it to dry thoroughly.
- Remove the plug from the exhaust system.

**Warning**

Danger of accidents Reduced braking efficiency due to a wet or dirty brake system.

- Clean or dry a dirty or wet brake system by riding and braking gently.

- After cleaning, ride a short distance until the engine reaches operating temperature.

**Info**

The heat produced causes water at inaccessible locations in the engine and brake system to evaporate.

- Push back the protection covers of the handlebar controls to allow any water that has penetrated to evaporate.
- After the motorcycle has cooled off, lubricate all moving parts and bearings.
- Clean the chain. (☛ p. 83)
- Treat bare metal parts (except for brake discs and exhaust system) with anti-corrosion materials.

Preserving materials for paints, metal and rubber (☛ p. 199)

- Treat all painted parts with a mild paint polish.

Perfect Finish and high gloss polish for paints (☛ p. 199)

**Info**

Do not polish parts that were matte when delivered as this would strongly impair the material quality.

- Treat all plastic parts and powder-coated parts with a mild cleaning and care agent.

Special cleaner for glossy and matte paint finishes, metal and plastic surfaces
(☞ p. 199)

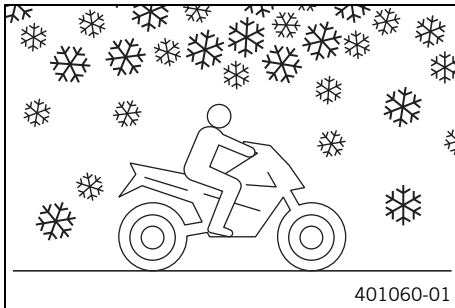
- Lubricate the ignition/steering lock.

Universal oil spray (☞ p. 199)

18.2 Checks and maintenance steps for winter operation

i Info

If you use the motorcycle in winter, you must expect salt on the roads. You should therefore take precautions against aggressive road salt.
If the vehicle was operated in road salt, clean it with cold water after riding. Warm water would enhance the corrosive effects of salt.



- Clean the motorcycle. (☞ p. 166)
- Clean the brake system.

i Info

After **EVERY** trip on salted roads, thoroughly wash the brake calipers and brake linings with cold water and dry carefully. This should be done after the parts are cooled down and while they are installed.
After use on salted roads, clean the motorcycle thoroughly with cold water and dry it properly.

- Treat the engine, the swingarm, and all other bare or galvanized parts (except brake discs) with a wax-based anti-corrosion substance.

i Info

To prevent serious reduction of the braking efficiency, make sure no anti-corrosion substance gets on to the brake discs.

18 CLEANING, CARE

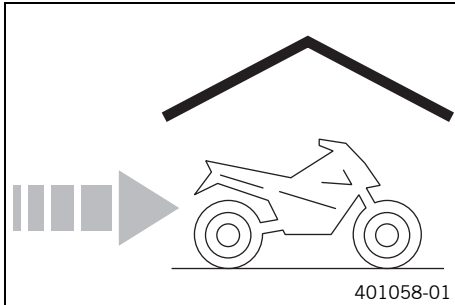
- Clean the chain. (👉 p. 83)

19.1 Storage

i Info

If you want to garage the motorcycle for a longer period, take the following actions.

Before storing the motorcycle, check all parts for function and wear. If service, repairs, or replacements are necessary, you should do this during the storage period (less workshop overload). In this way, you can avoid long workshop waiting times at the start of the new season.



- When refueling for the last time before taking the motorcycle out of service, add fuel additive.

Fuel additive (☞ p. 198)

- Refuel. (☞ p. 56)
- Clean the motorcycle. (☞ p. 166)
- Change the engine oil and filter, clean the oil screens. 🛠️ (☞ p. 158)
- Check the antifreeze and coolant level. (☞ p. 147)
- Check the tire air pressure. (☞ p. 123)
- Remove the battery. 🛠️ (☞ p. 126)
- Recharge the battery. 🛠️ (☞ p. 130)

Guideline

Storage temperature of battery without direct sunshine	0... 35 °C (32... 95 °F)
--	--------------------------

- Store the vehicle in a dry location that is not subject to large fluctuations in temperature.

i Info

KTM recommends jacking up the motorcycle.

- Raise the motorcycle with the lift stand. (☞ p. 74)

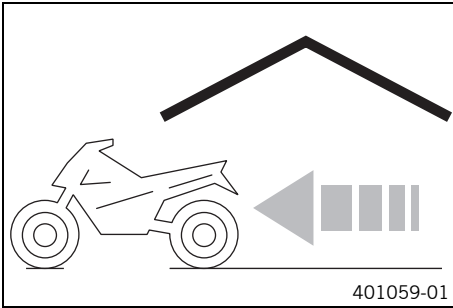
- Cover the motorcycle with a tarp or similar cover that is permeable to air.

i Info

Do not use non-porous materials since they prevent humidity from escaping, thus causing corrosion.

Avoid running the engine for a short time only. Since the engine cannot warm up properly, the water vapor produced during combustion condenses and causes valves and exhaust system to rust.

19.2 Preparing for use after storage













- Remove the motorcycle from the lift stand. (☞ p. 74)
- Recharge the battery. ⚡ (☞ p. 130)
- Install the battery. ⚡ (☞ p. 128)
- Set the clock. (☞ p. 32)
- Perform checks and vehicle care when preparing for use. (☞ p. 46)
- Take a test ride.

Faults	Possible cause	Action
The engine does not turn when the starter button is pressed	Operating error	– Carry out the start procedure. (☛ p. 47)
	The battery is discharged	– Recharge the battery. 🛠️ (☛ p. 130) – Check the quiescent current. 🛠️
	Fuses 1, 2, 3 are blown	– Change the fuses of individual power consumers. (☛ p. 136)
	Main fuse burned out	– Change the main fuse. (☛ p. 133)
	No ground connection present	– Check the ground connection.
Engine turns only if the clutch lever is drawn	The vehicle is in gear	– Shift gear to neutral.
	The vehicle is in gear and the side stand is folded out	– Shift gear to neutral.
Engine turns but does not start.	Operating error	– Carry out the start procedure. (☛ p. 47)
	Fuse 3 blown	– Change the fuses of individual power consumers. (☛ p. 136)
	The plug-in connection of the fuel hose connection is not connected	– Connect the plug-in connection of the fuel line.
	Defect in fuel injection system	– Read out the fault memory using the KTM diagnostics tool. 🛠️
	Throttle opened while starting	– When starting, DO NOT open the throttle – Carry out the start procedure. (☛ p. 47)
Engine has too little power.	Air filter is very dirty	– Remove the air filter. 🛠️ (☛ p. 81) – Install the air filter. 🛠️ (☛ p. 82)
	Fuel screen is very dirty	– Change fuel screen. 🛠️
	Fuel filter is very dirty	– Check the fuel pressure. 🛠️
	Defect in fuel injection system	– Read out the fault memory using the KTM diagnostics tool. 🛠️






Faults	Possible cause	Action
Engine has too little power.	Map-Select switch incorrectly adjusted	– Adjust the engine characteristic. (☞ p. 154)
Engine overheats.	Too little coolant in cooling system	– Check the cooling system for leakage. – Check the coolant level. (☞ p. 149)
	Radiator fins very dirty	– Clean radiator fins.
	Foam formation in cooling system	– Drain the coolant. ☹ (☞ p. 150) – Fill/bleed the cooling system. ☹ (☞ p. 151)
	Buckled or damaged radiator hose	– Change the radiator hose. ☹
	Thermostat is faulty	– Check the thermostat. ☹
	Fuse 4 blown	– Change the fuses of individual power consumers. (☞ p. 136)
	Defect in radiator fan system	– Check the radiator fan system. ☹
	Air in cooling system	– Fill/bleed the cooling system. ☹ (☞ p. 151)
FI warning lamp (MIL) lights/flashes	Defect in fuel injection system	– Read out the fault memory using the KTM diagnostics tool. ☹
N The idling speed indicator lamp does not light up when the transmission is in neutral	Gear position sensor not programmed	– Read out the fault memory using the KTM diagnostics tool. ☹
Engine dies during the journey	Lack of fuel	– Refuel. (☞ p. 56)
	Fuse 1, 2 or 3 blown	– Change the fuses of individual power consumers. (☞ p. 136)
The ABS warning lamp lights up	The ABS fuse is blown	– Change the ABS fuses. (☞ p. 134)
	Large difference in wheel speeds of the front and rear wheels	– Stop the vehicle, switch off the ignition, and start it again.
	Malfunction in ABS	– Read out the ABS fault memory using the KTM diagnostics tool. ☹






Faults	Possible cause	Action
High oil consumption	Engine vent hose bent	– Route the vent hose without bends or change it if necessary.
	Engine oil level too high	– Check the engine oil level. (☞ p. 157)
	Engine oil too thin (low viscosity)	– Change the engine oil and filter, clean the oil screens. ☞ (☞ p. 158)
Headlight and parking light are not functioning	Fuse 6 blown	– Change the fuses of individual power consumers. (☞ p. 136)
Turn signal, brake light and horn not functioning	Fuse 5 blown	– Change the fuses of individual power consumers. (☞ p. 136)
Time is not (correctly) displayed	Fuse 1 blown	– Change the fuses of individual power consumers. (☞ p. 136)
		– Set the clock. (☞ p. 32)
Battery discharged	Ignition not switched off when vehicle was parked	– Recharge the battery. ☞ (☞ p. 130)
	Battery is not charged by alternator	– Check the charging voltage. ☞ – Check the quiescent current. ☞
Combination instrument shows nothing in the display	Fuse 1 or 2 blown	– Change the fuses of individual power consumers. (☞ p. 136)
		– Set the clock. (☞ p. 32)






Blink code FI of warning lamp (MIL)	 02 FI warning lamp (MIL) flashes briefly 2x
Error level condition	Crankshaft position sensor - circuit fault
Blink code FI of warning lamp (MIL)	 09 FI warning lamp (MIL) flashes briefly 9x
Error level condition	Manifold absolute pressure sensor cylinder 1 - input signal too low
	Manifold absolute pressure sensor cylinder 1 - input signal too high
Blink code FI of warning lamp (MIL)	 12 FI warning lamp (MIL) flashes 1x long, 2x short
Error level condition	Engine coolant temperature sensor - input signal too low
	Engine coolant temperature sensor - input signal too high
Blink code FI of warning lamp (MIL)	 13 FI warning lamp (MIL) flashes 1x long, 3x short
Error level condition	Intake air temperature sensor - input signal too low
	Intake air temperature sensor - input signal too high
Blink code FI of warning lamp (MIL)	 14 FI warning lamp (MIL) flashes 1x long, 4x short
Error level condition	Ambient air pressure sensor - input signal too low
	Ambient air pressure sensor - input signal too high






Blink code FI of warning lamp (MIL)	 15 FI warning lamp (MIL) flashes 1x long, 5x short
Error level condition	Rollover sensor - input signal too low Rollover sensor - input signal too high
Blink code FI of warning lamp (MIL)	 17 FI warning lamp (MIL) flashes 1x long, 7x short
Error level condition	Lambda sensor cylinder 1, sensor 1 - circuit fault
Blink code FI of warning lamp (MIL)	 22 FI warning lamp (MIL) flashes 2x long, 2x short
Error level condition	Gear position sensor - circuit fault
Blink code FI of warning lamp (MIL)	 24 FI warning lamp (MIL) flashes 2x long, 4x short
Error level condition	System voltage - circuit fault
Blink code FI of warning lamp (MIL)	 25 FI warning lamp (MIL) flashes 2x long, 5x short
Error level condition	Side stand switch - circuit fault

21 FLASH CODE

Blink code FI of warning lamp (MIL)	 27 FI warning lamp (MIL) flashes 2x long, 7x short
Error level condition	Accelerator position sensor circuit fault - accelerator position sensor voltage
Blink code FI of warning lamp (MIL)	 33 FI warning lamp (MIL) flashes 3x long, 3x short
Error level condition	Injector cylinder 1 - circuit fault
Blink code FI of warning lamp (MIL)	 37 FI warning lamp (MIL) flashes 3x long, 7x short
Error level condition	Ignition coil 1, cylinder 1 - circuit fault
Blink code FI of warning lamp (MIL)	 39 FI warning lamp (MIL) flashes 3x long, 9x short
Error level condition	Ignition coil 2, cylinder 1 - circuit fault
Blink code FI of warning lamp (MIL)	 41 FI warning lamp (MIL) flashes 4x long, 1x short
Error level condition	Fuel pump controller - short circuit to ground or open circuit
	Fuel pump controller - input signal too high

Blink code FI of warning lamp (MIL)	 45 FI warning lamp (MIL) flashes 4x long, 5x short
Error level condition	Lambda sensor heater cylinder 1, sensor 1 - short circuit to ground or open circuit Lambda sensor heater cylinder 1, sensor 1 - input signal too high
Blink code FI of warning lamp (MIL)	 65 FI warning lamp (MIL) flashes 6x long, 5x short
Error level condition	E²PROM Error
Blink code FI of warning lamp (MIL)	 82 FI warning lamp (MIL) flashes 8x long, 2x short
Error level condition	Throttle position sensor circuit A - input signal too high Throttle position sensor circuit A - input signal too low
Blink code FI of warning lamp (MIL)	 83 FI warning lamp (MIL) flashes 8x long, 3x short
Error level condition	Accelerator position sensor - input signal too low Accelerator position sensor - input signal too high
Blink code FI of warning lamp (MIL)	 84 FI warning lamp (MIL) flashes 8x long, 4x short
Error level condition	Throttle position sensor circuit A and B - plausibility fault

Blink code FI of warning lamp (MIL)	 85 FI warning lamp (MIL) flashes 8x long, 5x short
Error level condition	Accelerator position sensor circuit A - input signal too low
	Accelerator position sensor circuit A - input signal too high
Blink code FI of warning lamp (MIL)	 86 FI warning lamp (MIL) flashes 8x long, 6x short
Error level condition	Accelerator position sensor circuit B - input signal too high
Blink code FI of warning lamp (MIL)	 87 FI warning lamp (MIL) flashes 8x long, 7x short
Error level condition	Accelerator position sensor circuit A and B - plausibility fault
Blink code FI of warning lamp (MIL)	 90 FI warning lamp (MIL) flashes 9x long
Error level condition	Throttle position - circuit fault
	DBW internal power relay - inactive
	DBW internal power relay - active
Blink code FI of warning lamp (MIL)	 89 FI warning lamp (MIL) flashes 8x long, 9x short
Error level condition	DBW return spring - stuck open

Blink code FI of warning lamp (MIL)	 92 FI warning lamp (MIL) flashes 9x long, 2x short
Error level condition	DBW throttle actuator control IC - stuck open
Blink code FI of warning lamp (MIL)	 93 FI warning lamp (MIL) flashes 9x long, 3x short
Error level condition	CPU mutual - surveillance error
Blink code FI of warning lamp (MIL)	 94 FI warning lamp (MIL) flashes 9x long, 4x short
Error level condition	DBW stop function system error - stop function A system error
Blink code FI of warning lamp (MIL)	 95 FI warning lamp (MIL) flashes 9x long, 5x short
Error level condition	DBW stop function system error - stop function B system error
Blink code FI of warning lamp (MIL)	 96 FI warning lamp (MIL) flashes 9x long, 6x short
Error level condition	System voltage - input voltage too low
	System voltage - input signal too high

22.1 Engine

Design	1-cylinder 4-stroke engine, water-cooled
Displacement	690 cm ³ (42.11 cu in)
Stroke	84.5 mm (3.327 in)
Bore	102 mm (4.02 in)
Compression ratio	12.6:1
Idle speed	
Coolant temperature: ≥ 70 °C (≥ 158 °F)	1,550... 1,650 rpm
Control	OHC, 4 valves controlled via rocker arm, chain drive
Valve diameter, intake	40 mm (1.57 in)
Valve diameter, exhaust	34 mm (1.34 in)
Valve play, cold	0.07... 0.13 mm (0.0028... 0.0051 in)
Crankshaft bearing	2 roller bearings
Conrod bearing	Needle bearing
Piston pin bearing	Piston pin with DLC coating
Pistons	Forged light alloy
Piston rings	1 L-ring, 1 tapered compression piston ring, 1 oil scraper ring
Engine lubrication	Semi-dry sump lubrication system with two rotor pumps
Primary transmission	36:79
Clutch	APTCTM antihopping clutch in oil bath/hydraulically operated
Transmission	6-gear, claw shifted
Transmission ratio	
1st gear	14:35
2nd gear	16:28

3rd gear	21:28
4th gear	21:23
5th gear	23:22
6th gear	23:20
Mixture preparation	Electronic fuel injection
Ignition	Contactless controlled fully electronic ignition with digital ignition adjustment
Alternator	12 V, 224 W
Spark plug	
Inside spark plug	NGK LKAR8BI-9
Outside spark plug	NGK LMAR7A-9
Spark plug electrode gap	0.9 mm (0.035 in)
Cooling	Water cooling, permanent circulation of coolant by water pump
Starting aid	Electric starter, automatic decompressor

22.2 Engine tightening torques

Screw, membrane fixation	M3	2 Nm (1.5 lbf ft)	Loctite® 243™
Hose clamp, intake flange	M4	2.5 Nm (1.84 lbf ft)	–
Oil nozzle for conrod bearing lubrication	M4	2 Nm (1.5 lbf ft)	Loctite® 243™
Locking screw for bearing	M5	6 Nm (4.4 lbf ft)	Loctite® 243™
Remaining screws, engine	M5	6 Nm (4.4 lbf ft)	–
Screw, breather cover on valve cover	M5	6 Nm (4.4 lbf ft)	Loctite® 243™
Screw, clutch spring	M5x25	6 Nm (4.4 lbf ft)	–
Screw, cover plate for oil return line	M5	6 Nm (4.4 lbf ft)	–

Screw, gear position sensor	M5x16	5 Nm (3.7 lbf ft)	Loctite® 243™
Screw, oil filter cover	M5x16	6 Nm (4.4 lbf ft)	–
Screw, oil pump cover, top	M5	6 Nm (4.4 lbf ft)	Loctite® 243™
Cylinder head screw	M6x25	10 Nm (7.4 lbf ft)	Loctite® 243™
Plug, vacuum connection	M6	10 Nm (7.4 lbf ft)	Loctite® 243™
Remaining screws, engine	M6	10 Nm (7.4 lbf ft)	–
Screw, alternator cover	M6x25	10 Nm (7.4 lbf ft)	–
Screw, alternator cover (chain shaft through-hole)	M6x25	10 Nm (7.4 lbf ft)	Loctite® 243™
Screw, autodecompression	M6	3... 4 Nm (2.2... 3 lbf ft)	Loctite® 243™
Screw, axial lock of camshaft	M6	10 Nm (7.4 lbf ft)	Loctite® 243™
Screw, clutch cover	M6	10 Nm (7.4 lbf ft)	–
Screw, clutch slave cylinder	M6x20	10 Nm (7.4 lbf ft)	Loctite® 243™
Screw, clutch slave cylinder	M6x35	10 Nm (7.4 lbf ft)	Loctite® 243™
Screw, crankshaft position sensor	M6x16	10 Nm (7.4 lbf ft)	Loctite® 243™
Screw, cylinder	M6	10 Nm (7.4 lbf ft)	Loctite® 243™
Screw, engine case	M6	10 Nm (7.4 lbf ft)	–
Screw, ignition coil	M6	10 Nm (7.4 lbf ft)	–
Screw, locking lever	M6x20	10 Nm (7.4 lbf ft)	Loctite® 243™
Screw, oil pump cover, bottom	M6	10 Nm (7.4 lbf ft)	Loctite® 243™
Screw, rocker arm shaft	M6x30	12 Nm (8.9 lbf ft)	–
Screw, shift drum locating	M6x30	10 Nm (7.4 lbf ft)	Loctite® 243™
Screw, shift lever	M6	14 Nm (10.3 lbf ft)	Loctite® 243™
Screw, spark plug shaft	M6x16	10 Nm (7.4 lbf ft)	–
Screw, starter motor	M6x20	10 Nm (7.4 lbf ft)	Loctite® 243™

Screw, stator	M6	10 Nm (7.4 lbf ft)	Loctite® 243™
Screw, thermostat case	M6x20	10 Nm (7.4 lbf ft)	Loctite® 243™
Screw, timing chain guide rail	M6x30	10 Nm (7.4 lbf ft)	Loctite® 243™
Screw, timing chain tensioning rail	M6x30	10 Nm (7.4 lbf ft)	Loctite® 243™
Screw, valve cover	M6	10 Nm (7.4 lbf ft)	–
Screw, water pump cover	M6x30	10 Nm (7.4 lbf ft)	–
Screw, water pump impeller	M6x15	10 Nm (7.4 lbf ft)	Loctite® 243™
Oil jet, piston cooling	M6x0.75	4 Nm (3 lbf ft)	Loctite® 243™
Screw plug, crankshaft clamp	M8	20 Nm (14.8 lbf ft)	–
Stud, exhaust flange	M8	10 Nm (7.4 lbf ft)	Loctite® 243™
Cylinder head screw	M10	Tightening sequence: Tighten diagonally, beginning with the rear screw on the timing chain shaft. Step 1 15 Nm (11.1 lbf ft) Step 2 30 Nm (22.1 lbf ft) Step 3 45 Nm (33.2 lbf ft) Step 4 60 Nm (44.3 lbf ft)	Lubricated with engine oil
Oil line for oil pressure sensor	M10x1	10 Nm (7.4 lbf ft)	–
Oil pressure sensor	M10x1	10 Nm (7.4 lbf ft)	–
Plug, drain hole of water pump	M10x1	15 Nm (11.1 lbf ft)	–
Screw plug, oil channel	M10x1	15 Nm (11.1 lbf ft)	Loctite® 243™
Screw plug, oil channel, for oil radiator	M10x1	15 Nm (11.1 lbf ft)	–

Screw, unlocking of timing chain tensioner	M10x1	10 Nm (7.4 lbf ft)	–
Spark plug outside	M10x1	11 Nm (8.1 lbf ft)	–
Spark plug inside	M12x1.25	18 Nm (13.3 lbf ft)	–
Coolant temperature sensor on cylinder head	M12x1.5	12 Nm (8.9 lbf ft)	–
Oil drain plug with magnet	M12x1.5	20 Nm (14.8 lbf ft)	–
Oil pressure regulator valve plug	M12x1.5	20 Nm (14.8 lbf ft)	–
Screw plug, oil channel	M14x1.5	15 Nm (11.1 lbf ft)	Loctite® 243™
Engine case stud	M16x1.5	25 Nm (18.4 lbf ft)	Loctite® 243™
Rotor nut	M18x1.5	100 Nm (73.8 lbf ft)	–
Nut, engine sprocket	M20x1.5	80 Nm (59 lbf ft)	Loctite® 243™
Nut, inner clutch hub	M20x1.5	100 Nm (73.8 lbf ft)	Loctite® 243™
Nut, primary gear	M20LHx1.5	90 Nm (66.4 lbf ft)	Loctite® 243™
Plug, oil screen	M20x1.5	15 Nm (11.1 lbf ft)	–
Plug, timing chain tensioner	M20x1.5	25 Nm (18.4 lbf ft)	–
Plug, oil thermostat	M24x1.5	15 Nm (11.1 lbf ft)	–
Screw in alternator cover	M24x1.5	8 Nm (5.9 lbf ft)	–

22.3 Capacities

22.3.1 Engine oil

Engine oil	1.70 l (1.8 qt.)	Engine oil (SAE 10W/60) (00062010035) (☞ p. 195)	
		Alternative engine oil	Engine oil (SAE 10W/50) (☞ p. 196)

22.3.2 Coolant

Coolant	1.20 l (1.27 qt.)	Coolant (☛ p. 195)
---------	-------------------	--------------------

22.3.3 Fuel

Total fuel tank capacity, approx.	12 l (3.2 US gal)	Super unleaded (ROZ 95/RON 95/PON 91) (☛ p. 197)
-----------------------------------	-------------------	--

Fuel reserve, approx.	2.5 l (2.6 qt.)
-----------------------	-----------------

22.4 Chassis

Frame	Lattice frame made of chrome molybdenum steel tubing, powder-coated	
Fork	WP Suspension 4860 MXTA SPLIT	
Shock absorber	WP Suspension 4618 with Pro-Lever deflector	
Suspension travel		
Front	250 mm (9.84 in)	
Rear	250 mm (9.84 in)	
Brake system		
Front	Disc brake with dual-piston brake caliper, floating	
Rear	Disc brake with single-piston brake caliper, floating	
Brake discs - diameter		
Front	300 mm (11.81 in)	
Rear	240 mm (9.45 in)	
Brake discs - wear limit		
Front	4.5 mm (0.177 in)	

22 TECHNICAL DATA

187

Rear	4.5 mm (0.177 in)
Tire air pressure, road, solo	
Front	1.8 bar (26 psi)
Rear	1.8 bar (26 psi)
Tire air pressure with passenger / fully loaded	
Front	2.2 bar (32 psi)
Rear	2.2 bar (32 psi)
Tire air pressure, offroad, single rider	
Front	1.5 bar (22 psi)
Rear	1.5 bar (22 psi)
Secondary drive ratio	15:45
Chain	5/8 x 1/4" X-ring
Steering head angle	63°
Wheelbase	1,504±15 mm (59.21±0.59 in)
Seat height unloaded	910 mm (35.83 in)
Ground clearance unloaded	280 mm (11.02 in)
Weight without fuel, approx.	143 kg (315 lb.)
Maximum permissible front axle load	150 kg (331 lb.)
Maximum permissible rear axle load	200 kg (441 lb.)
Maximum permissible overall weight	350 kg (772 lb.)

22.5 Electrical system

Battery	YTZ10S	Battery voltage: 12 V Nominal capacity: 8.6 Ah maintenance-free
Fuse	58011109115	15 A
Fuse	58011109125	25 A
Fuse	58011109130	30 A
Fuse	75011088015	15 A
Fuse	75011088010	10 A
Headlight	H4 / socket P43t	12 V 60/55 W
Parking light	W5W / socket W2.1x9.5d	12 V 5 W
Instrument lights and indicator lamps	LED	
Turn signal	R10W / socket BA15s	12 V 10 W
Brake/tail light	LED	
License plate lamp	W5W / socket W2.1x9.5d	12 V 5 W

22.6 Tires

Front tires	Rear tires
90/90 - 21 M/C 54S TL Metzeler Enduro 3 Sahara	140/80 - 18 M/C 70S TL Metzeler Enduro 3 Sahara
Additional information is available in the Service section under: http://www.ktm.com	

22.7 Fork

Fork part number	14.18.8N.10
Fork	WP Suspension 4860 MXTA SPLIT
Compression damping	
Comfort	20 clicks
Standard	15 clicks
Sport	10 clicks
Full payload	10 clicks
Rebound damping	
Comfort	20 clicks
Standard	15 clicks
Sport	10 clicks
Full payload	10 clicks
Spring length with preload spacer(s)	465 mm (18.31 in)
Spring rate	
Medium (standard)	5.3 N/mm (30.3 lb/in)
Air chamber length	120 \pm $\frac{10}{20}$ mm (4.72 \pm $\frac{0.39}{0.79}$ in)

Fork length	895 mm (35.24 in)	
Fork oil per fork leg	635 ml (21.47 fl. oz.)	Fork oil (SAE 4) (48601166S1) (☛ p. 196)

22.8 Shock absorber

Shock absorber part number	15.18.7L.10	
Shock absorber	WP Suspension 4618 with Pro-Lever deflector	
Compression damping, high-speed		
Comfort	2 turns	
Standard	1.5 turns	
Sport	1 turn	
Full payload	1 turn	
Compression damping, low-speed		
Comfort	20 clicks	
Standard	15 clicks	
Sport	10 clicks	
Full payload	10 clicks	
Rebound damping		
Comfort	20 clicks	
Standard	15 clicks	
Sport	10 clicks	
Full payload	10 clicks	
Spring preload	20 mm (0.79 in)	
Spring rate		
Medium (standard)	80 N/mm (457 lb/in)	

Hard	85 N/mm (485 lb/in)
Spring length	220 mm (8.66 in)
Gas pressure	10 bar (145 psi)
Static sag	18 mm (0.71 in)
Riding sag	70... 80 mm (2.76... 3.15 in)
Fitted length	395 mm (15.55 in)
Shock absorber fluid (☛ p. 197)	SAE 2.5

22.9 Chassis tightening torques

Screw, chain guard	EJOT	2 Nm (1.5 lbf ft)	–
Screw, combination instrument	EJOT	1 Nm (0.7 lbf ft)	–
Screw, license plate holder, bottom	EJOT	3 Nm (2.2 lbf ft)	–
Screw, side cover on spoiler	EJOT	1 Nm (0.7 lbf ft)	–
Screw, side stand switch	EJOT	2 Nm (1.5 lbf ft)	–
Screw, SLS valve	EJOT	2 Nm (1.5 lbf ft)	–
Fitting, side stand switch	M4	2 Nm (1.5 lbf ft)	–
Spoke nipple, front wheel	M4.5	4 Nm (3 lbf ft)	–
Bolt, foot brake lever stub	M5	6 Nm (4.4 lbf ft)	Loctite® 243™
Remaining nuts, chassis	M5	4 Nm (3 lbf ft)	–
Remaining screws, chassis	M5	4 Nm (3 lbf ft)	–
Screw, brake line holder on swingarm	M5	4 Nm (3 lbf ft)	–
Screw, cable on starter motor	M5	3 Nm (2.2 lbf ft)	–
Screw, electrical holder	M5	3 Nm (2.2 lbf ft)	–
Screw, exhaust heat shield	M5	8 Nm (5.9 lbf ft)	Loctite® 243™

22 TECHNICAL DATA

Screw, fuel hose clamp on fuel tank	M5	5 Nm (3.7 lbf ft)	–
Screw, fuel level sensor	M5	3 Nm (2.2 lbf ft)	–
Screw, fuel pump	M5	4 Nm (3 lbf ft)	–
Screw, fuel tank closure flange	M5	2.5 Nm (1.84 lbf ft)	–
Screw, headlight mask	M5	5 Nm (3.7 lbf ft)	–
Screw, pressure regulator	M5	4 Nm (3 lbf ft)	–
Screw, throttle grip	M5	3.5 Nm (2.58 lbf ft)	–
Spoke nipple, rear wheel	M5	4 Nm (3 lbf ft)	–
Remaining nuts, chassis	M6	10 Nm (7.4 lbf ft)	–
Remaining screws on fuel tank	M6	5 Nm (3.7 lbf ft)	–
Remaining screws, chassis	M6	10 Nm (7.4 lbf ft)	–
Screw connection, foot brake cylinder	M6	10 Nm (7.4 lbf ft)	–
Screw, ABS control unit	M6	5 Nm (3.7 lbf ft)	–
Screw, air filter box top	M6	2 Nm (1.5 lbf ft)	–
Screw, ball joint of push rod on foot brake cylinder	M6	10 Nm (7.4 lbf ft)	Loctite® 243™
Screw, brake fluid reservoir of rear brake	M6	5 Nm (3.7 lbf ft)	–
Screw, chain guard	M6	2 Nm (1.5 lbf ft)	Loctite® 243™
Screw, chain guide	M6	8 Nm (5.9 lbf ft)	–
Screw, chain sliding guard	M6	8 Nm (5.9 lbf ft)	Loctite® 243™
Screw, fan hood	M6	4 Nm (3 lbf ft)	–
Screw, front brake disc	M6	14 Nm (10.3 lbf ft)	Loctite® 243™
Screw, ignition lock	M6	10 Nm (7.4 lbf ft)	Loctite® 243™
Screw, lower radiator bracket	M6	8 Nm (5.9 lbf ft)	–
Screw, magnetic holder on side stand	M6	6 Nm (4.4 lbf ft)	Loctite® 243™

Screw, radiator guard	M6	8 Nm (5.9 lbf ft)	–
Screw, rear brake disc	M6	14 Nm (10.3 lbf ft)	Loctite® 243™
Screw, seat lock	M6	5 Nm (3.7 lbf ft)	–
Screw, side cover	M6	5 Nm (3.7 lbf ft)	–
Screw, upper radiator bracket	M6	10 Nm (7.4 lbf ft)	–
Screw, voltage regulator	M6	8 Nm (5.9 lbf ft)	–
Screw, wheel speed sensor	M6	6 Nm (4.4 lbf ft)	–
Nut, rear sprocket screw	M8	35 Nm (25.8 lbf ft)	Loctite® 2701™
Remaining nuts, chassis	M8	25 Nm (18.4 lbf ft)	–
Remaining screws, chassis	M8	25 Nm (18.4 lbf ft)	–
Screw, bottom triple clamp	M8	12 Nm (8.9 lbf ft)	–
Screw, chain sliding piece	M8	15 Nm (11.1 lbf ft)	–
Screw, connection lever on frame	M8	30 Nm (22.1 lbf ft)	Loctite® 243™
Screw, foot brake lever	M8	25 Nm (18.4 lbf ft)	Loctite® 243™
Screw, fork stub	M8	15 Nm (11.1 lbf ft)	–
Screw, front brake caliper	M8	25 Nm (18.4 lbf ft)	Loctite® 243™
Screw, front footrest bracket	M8	25 Nm (18.4 lbf ft)	–
Screw, fuel tank bracket	M8	15 Nm (11.1 lbf ft)	–
Screw, fuel tank, bottom	M8	25 Nm (18.4 lbf ft)	Loctite® 243™
Screw, fuel tank, top	M8	25 Nm (18.4 lbf ft)	Loctite® 243™
Screw, handlebar clamp	M8	20 Nm (14.8 lbf ft)	–
Screw, handrail	M8	20 Nm (14.8 lbf ft)	–
Screw, heel protector	M8x12	5 Nm (3.7 lbf ft)	Loctite® 243™
Screw, license plate holder, top	M8	20 Nm (14.8 lbf ft)	–
Screw, main silencer clamp	M8	12 Nm (8.9 lbf ft)	Copper paste

22 TECHNICAL DATA

Screw, main silencer holder	M8	25 Nm (18.4 lbf ft)	–
Screw, main silencer holder on fuel tank	M8	25 Nm (18.4 lbf ft)	–
Screw, rear footrest bracket	M8x16	25 Nm (18.4 lbf ft)	–
Screw, side stand bracket	M8	25 Nm (18.4 lbf ft)	Loctite® 243™
Screw, spring holder on side stand bracket	M8	25 Nm (18.4 lbf ft)	Loctite® 243™
Screw, steering stem	M8	20 Nm (14.8 lbf ft)	–
Screw, top triple clamp	M8	17 Nm (12.5 lbf ft)	–
Engine carrying screw	M10	45 Nm (33.2 lbf ft)	Loctite® 243™
Remaining nuts, chassis	M10	45 Nm (33.2 lbf ft)	–
Remaining screws, chassis	M10	45 Nm (33.2 lbf ft)	–
Screw, bottom shock absorber	M10	45 Nm (33.2 lbf ft)	Loctite® 243™
Screw, engine bearer on frame	M10	45 Nm (33.2 lbf ft)	–
Screw, handlebar support	M10	40 Nm (29.5 lbf ft)	Loctite® 243™
Screw, side stand	M10	35 Nm (25.8 lbf ft)	Loctite® 243™
Screw, top shock absorber	M10	45 Nm (33.2 lbf ft)	Loctite® 243™
Banjo bolt, brake line	M10x1	20 Nm (14.8 lbf ft)	–
Screw, swingarm pivot	M12	80 Nm (59 lbf ft)	–
Lambda sensor	M12x1.25	25 Nm (18.4 lbf ft)	Copper paste
Nut, linkage lever on swingarm	M14x1.5	100 Nm (73.8 lbf ft)	–
Nut, linkage lever to rocker arm	M14x1.5	100 Nm (73.8 lbf ft)	–
Screw, bottom steering head	M20x1.5	60 Nm (44.3 lbf ft)	Loctite® 243™
Screw, top steering head	M20x1.5	12 Nm (8.9 lbf ft)	–
Screw, front wheel spindle	M24x1.5	45 Nm (33.2 lbf ft)	–
Nut, rear wheel spindle	M25x1.5	90 Nm (66.4 lbf ft)	–

Brake fluid DOT 4 / DOT 5.1

Standard/classification

- DOT

Guideline

- Use only brake fluid that complies with the specified standard (see specifications on the container) and that exhibits the corresponding properties.

Recommended supplier

Castrol

- **RESPONSE BRAKE FLUID SUPER DOT 4**

Motorex®

- **Brake Fluid DOT 5.1**

Coolant

Guideline

- Only use high quality coolant with corrosion inhibitor for aluminum motors (even in countries with high temperatures). Using inferior antifreeze can result in corrosion and foaming.

Mixture ratio

Antifreeze protection: -25... -45 °C (-13... -49 °F)	anti-corrosion/antifreeze distilled water
--	--

Recommended supplier

Motorex®

- **COOLANT M3.0**

Engine oil (SAE 10W/60) (00062010035)

Standard/classification

- JASO T903 MA (☞ p. 200)
- SAE (☞ p. 200) (SAE 10W/60)

- KTM LC4 2007+

Guideline

- Use only engine oils that comply with the specified standards (see specifications on the container) and that possess the corresponding properties.

Synthetic engine oil

Recommended supplier

Motorex®

- **Cross Power 4T**

Engine oil (SAE 10W/50)

Standard/classification

- JASO T903 MA (☛ p. 200)
- SAE (☛ p. 200) (SAE 10W/50)

Guideline

- Use only engine oils that comply with the specified standards (see specifications on the container) and that possess the corresponding properties.

Fully synthetic engine oil

Recommended supplier

Motorex®

- **Power Synt 4T**

Fork oil (SAE 4) (48601166S1)

Standard/classification

- SAE (☛ p. 200) (SAE 4)

Guideline

- Use only oils that comply with the specified standards (see specifications on the container) and that exhibit the corresponding properties.

Hydraulic fluid (15)

Standard/classification

- ISO VG (15)

Guideline

- Use only hydraulic oil that complies with the specified standard (see specifications on the container) and that possesses the corresponding properties.

Recommended supplier

Motorex®

- Hydraulic Fluid 75

Shock absorber fluid (SAE 2.5) (50180751S1)

Standard/classification

- SAE (☛ p. 200) (SAE 2.5)

Guideline

- Use only oils that comply with the specified standards (see specifications on the container) and that exhibit the corresponding properties.

Super unleaded (ROZ 95/RON 95/PON 91)

Standard/classification

- DIN EN 228 (ROZ 95/RON 95/PON 91)

Guideline

- Only use unleaded super fuel that matches or is equivalent to the specified fuel grade.
- Fuel with an ethanol content of up to 10 % (E10 fuel) is safe to use.



Info

Do **not** use fuel containing methanol (e. g. M15, M85, M100) or more than 10 % ethanol (e. g. E15, E25, E85, E100).

Chain cleaner

Recommended supplier

Motorex®

- Chain Clean

Fuel additive

Recommended supplier

Motorex®

- Fuel Stabilizer

Long-life grease

Recommended supplier

Motorex®

- Bike Grease 2000

Motorcycle cleaner

Recommended supplier

Motorex®

- Moto Clean

Off-road chain spray

Recommended supplier

Motorex®

- Chainlube Offroad

Perfect Finish and high gloss polish for paints

Recommended supplier

Motorex®

- Moto Polish & Shine

Preserving materials for paints, metal and rubber

Recommended supplier

Motorex®

- Moto Protect

Special cleaner for glossy and matte paint finishes, metal and plastic surfaces

Recommended supplier

Motorex®

- Quick Cleaner

Universal oil spray

Recommended supplier

Motorex®

- Joker 440 Synthetic

JASO T903 MA

Different technical development directions required a new specification for 4-stroke motorcycles – the JASO T903 MA Standard. Earlier, engine oils from the automobile industry were used for 4-stroke motorcycles because there was no separate motorcycle specification. Whereas long service intervals are demanded for automobile engines, high performance at high engine speeds are in the foreground for motorcycle engines. In most motorcycles, the gearbox and the clutch are lubricated with the same oil as the engine. The JASO MA Standard meets these special requirements.

SAE

The SAE viscosity classes were defined by the Society of Automotive Engineers and are used for classifying oils according to their viscosity. The viscosity describes only one property of oil and says nothing about quality.

A

ABS 96

Accessories 13

Air filter

 installing 82

 removing 81

Antifreeze

 checking 147

Antilock brake system 96

Auxiliary substances 13

B

Baggage 44

Battery

 fitting 128

 recharging 130

 removing 126

Brake discs

 checking 98

Brake fluid

 rear brake, adding 108

 Topping up brake fluid of front brake 100

Brake fluid level

 checking the brake fluid level of front brake 99

 rear brake, checking 107

Brake linings

 front brake, changing 102

 front brake, checking 101

 rear brake, changing 110

 rear brake, checking 110

Brakes 52

Braking 52

C

Capacity

 coolant 186

 engine oil 163, 185

 fuel 57, 186

Chain

 checking 87

 cleaning 83

 dirt, checking for 83

Chain guide

 adjusting 92

 checking 87

Chain tension

 adjusting 86

 checking 84

Chassis number 20

Clutch

 checking/correcting fluid level 93

Clutch lever	23	Emergency OFF switch	26
adjusting basic position	93	Engine	
Combination instrument		running in	43
clock, setting	32	Engine characteristic	
coolant temperature indicator	36	adjusting	154
display	30	Engine guard	
function buttons	28	installing	95
GEAr display	35	removing	94
indicator lamps	29	Engine number	21
ODO display	33	Engine oil	
Overview	27	adding	164
setting kilometers or miles	31	changing	158
speed display	31	draining	158
tachometer	28	refilling	163
time	32	Engine oil level	
TRIP 1 display, setting/resetting	33	checking	157
TRIP 2 display, setting/resetting	34	Engine sprocket	
TRIP F display	35	checking	87
Coolant		Environment	11
draining	150	F	
Coolant level		Figures	14
checking	147, 149	Filler cap	
Cooling system	147	closing	37
filling/bleeding	151	opening	36
Customer service	14	Filling up	
E		fuel	56
Electric starter button	26		

Flash code	175-180
Foot brake lever	40
basic position, adjusting	106
free travel, checking	105
Fork	62
compression damping, adjusting	62
dust boots, cleaning	75
rebound, adjusting	63
Fork part number	22
Fork protector	
positioning	77
remove	76
Front wheel	
installing	115
removing	114
Fuse	
of individual power consumer, changing	136
Fuses, ABS	
changing	134
H	
Hand brake lever	23
basic position, adjusting	97
Handlebar position	72
adjusting	72
Handrails	38

Headlight	
light range, adjusting	145
Headlight bulb, changing	140
Headlight mask with headlight	
installing	139
removing	138
Headlight setting, checking	145
Horn button	24
I	
Ignition lock	27
Intended use	8
K	
Key number	21
L	
Light switch	25
Loading the vehicle	44
M	
Main fuse	
changing	133
Motorcycle	
cleaning	166
raising with lift stand	74
removing from lift stand	74

O

Oil filter

- changing 158
- installing 163
- removing 159

Oil screens

- cleaning 158, 161

Operating substances 13

Owner's Manual 12

P

Parking 54

Parking light bulb

- changing 142

Passenger footrests 39

Preparing for use

- after storage 171
- checks and vehicle care when preparing for use 46

Protective clothing 11

Putting into operation

- advice on first use 42

R

Rear hub rubber dampers

- checking 120

Rear sprocket

- checking 87

Rear wheel

- installing 118
- removing 117

Riding 49

- starting off 49

Riding sag

- adjusting 71

S

Safe operation 10

Seat

- mounting 80
- removing 80

Seat release 38

Service 13

Service schedule 59-61

Shift lever 39

- basic position, adjusting 155
- basic position, checking 155

Shifting 49

Shock absorber 62

- compression damping, general 64
- compression damping, high-speed, adjusting 65
- compression damping, low-speed, adjusting 64
- rebound damping, adjusting 66
- riding sag, checking 69
- spring preload, adjusting 69
- static sag, checking 68

Shock absorber part number	22
Side stand	41
Spare parts	13
Spoke tension	
checking	124
Starting	47
Steering head bearing play	
adjusting	78
checking	77
Steering lock	27
Stopping	54
Storage	170
T	
Technical data	
capacities	185
chassis	186
chassis tightening torques	191
electrical system	188
engine	181
engine tightening torques	182
fork	189
shock absorber	190
tires	189
Throttle grip	24
Tire air pressure	
checking	123

Tire condition	
checking	122
Transport	55
Troubleshooting	172-174
Turn signal bulb	
changing	143
Turn signal switch	25
Type label	20
U	
Use definition	8
V	
View of vehicle	
front left	16
right rear	18
W	
Warranty	13
Winter operation	
checks and maintenance steps	168
Work rules	11



3213263en

10/2014



KTM Motorrad AG
3230 Mattighofen/Austria
<http://www.ktm.com>



Photo: Mitterbauer/KTM