

450 SX-F
450 XC-F

Art. no. 3213851en



KTM

Congratulations on your decision to purchase a KTM motorcycle. You are now the owner of a state-of-the-art sports motorcycle that will give you enormous pleasure if you service and maintain it properly.

We hope you enjoy riding this motorcycle!

Enter the serial numbers of your vehicle below.

Chassis number (📖 p. 14)	Dealer's stamp
Engine number (📖 p. 14)	

The Owner's Manual contained the latest information for this model series at the time of going to print. However, minor differences due to further developments in design cannot be ruled out completely.

All specifications are non-binding. KTM Sportmotorcycle GmbH specifically reserves the right to modify or delete technical specifications, prices, colors, forms, materials, services, designs, equipment, etc., without prior notice and without specifying reasons, to adapt these to local conditions, as well as to stop production of a particular model without prior notice. KTM accepts no liability for delivery options, deviations from figures and descriptions, misprints, and other errors. The models portrayed partly contain special equipment that does not belong to the regular scope of supply.

© 2018 KTM Sportmotorcycle GmbH, Mattighofen Austria

All rights reserved

Reproduction, even in part, as well as copying of all kinds, is permitted only with the express written permission of the copyright owner.



ISO 9001(12 100 6061)

According to the international quality management standard ISO 9001, KTM uses quality assurance processes that lead to the maximum possible quality of the products.

Issued by: TÜV Management Service

REG.NO. 12 100 6061

KTM Sportmotorcycle GmbH
Stallhofnerstraße 3
5230 Mattighofen, Austria

This document is valid for the following models:

450 SX-F EU (F8401S5)

450 SX-F US (F8475S5)

450 XC-F US (F8475S0)



3213851en

03/2018

TABLE OF CONTENTS

1	MEANS OF REPRESENTATION	5	7	PREPARING FOR USE.....	23
1.1	Symbols used	5	7.1	Advice on preparing for first use	23
1.2	Formats used.....	5	7.2	Running in the engine	24
2	SAFETY ADVICE.....	6	7.3	Starting power of lithium-ion batteries at low temperatures	25
2.1	Use definition – intended use.....	6	7.4	Preparing the vehicle for difficult riding conditions	25
2.2	Misuse.....	6	7.5	Preparing vehicle for rides on dry sand	25
2.3	Safety advice.....	6	7.6	Preparing vehicle for rides on wet sand	26
2.4	Degrees of risk and symbols.....	7	7.7	Preparing vehicle for rides on wet and muddy circuits	27
2.5	Tampering warning.....	7	7.8	Preparing vehicle for high temperatures or slow riding.....	27
2.6	Safe operation	7	7.9	Preparing vehicle for low temperatures or snow	27
2.7	Protective clothing	8	8	RIDING INSTRUCTIONS.....	28
2.8	Work rules.....	8	8.1	Checks and maintenance measures when preparing for use	28
2.9	Environment.....	8	8.2	Starting the vehicle	28
2.10	Owner's Manual	9	8.3	Activating launch control	29
3	IMPORTANT NOTES.....	10	8.4	Activating traction control	30
3.1	Manufacturer and implied warranty....	10	8.5	Starting off.....	30
3.2	Operating and auxiliary substances	10	8.6	Shifting, riding	31
3.3	Spare parts, accessories	10	8.7	Applying the brakes.....	31
3.4	Service	10	8.8	Stopping, parking.....	32
3.5	Figures	10	8.9	Transporting.....	32
3.6	Customer service.....	10	8.10	Refueling	33
4	VIEW OF VEHICLE	12	9	SERVICE SCHEDULE	35
4.1	View of vehicle, front left (example) ...	12	9.1	Additional information	35
4.2	View of vehicle, rear right (example).....	13	9.2	Required work	35
5	SERIAL NUMBERS	14	9.3	Recommended work	36
5.1	Chassis number	14	10	TUNING THE CHASSIS	38
5.2	Type label	14	10.1	Checking the basic chassis setting with the rider's weight	38
5.3	Engine number	14	10.2	Air suspension AER 48.....	38
5.4	Fork article number.....	14	10.3	Compression damping of the shock absorber.....	39
5.5	Shock absorber article number	15	10.4	Adjusting the low-speed compression damping of the shock absorber.....	39
6	CONTROLS.....	16	10.5	Adjusting the high-speed compression damping of the shock absorber.....	40
6.1	Clutch lever.....	16	10.6	Adjusting the rebound damping of the shock absorber.....	41
6.2	Hand brake lever.....	16	10.7	Measuring rear wheel sag unloaded....	41
6.3	Throttle grip	16	10.8	Checking the static sag of the shock absorber.....	42
6.4	Kill switch	16	10.9	Checking the riding sag of the shock absorber.....	43
6.5	Electric starter button.....	17			
6.6	Combination switch.....	17			
6.7	Indicator lamps overview.....	17			
6.8	Service hour counter	18			
6.9	Opening the filler cap.....	18			
6.10	Closing the filler cap	19			
6.11	Cold start button.....	20			
6.12	Idle speed adjusting screw	21			
6.13	Shift lever	21			
6.14	Foot brake lever	22			
6.15	Plug-in stand (All SX-F models).....	22			
6.16	Side stand (XC-F US)	22			










10.10	Adjusting the spring preload of the shock absorber	43	11.33	Checking for chain dirt accumulation	73
10.11	Adjusting the riding sag	44	11.34	Cleaning the chain	73
10.12	Checking the basic setting of the fork	45	11.35	Checking the chain tension	74
10.13	Adjusting the fork air pressure	46	11.36	Adjusting the chain tension	75
10.14	Adjusting the compression damping of the fork	47	11.37	Checking the chain, rear sprocket, engine sprocket, and chain guide	76
10.15	Adjusting the rebound damping of the fork	48	11.38	Checking the frame	78
10.16	Handlebar position	48	11.39	Checking the swingarm	78
10.17	Adjusting the handlebar position	49	11.40	Checking the throttle cable routing	78
11	SERVICE WORK ON THE CHASSIS	50	11.41	Checking the rubber grips	79
11.1	Raising the motorcycle with a lift stand	50	11.42	Adjusting the basic position of the clutch lever	80
11.2	Removing the motorcycle from the lift stand	50	11.43	Checking/correcting the fluid level of the hydraulic clutch	80
11.3	Bleeding the fork legs	51	11.44	Changing the hydraulic clutch fluid	81
11.4	Cleaning the dust boots of the fork legs	51	12	BRAKE SYSTEM	83
11.5	Removing the fork protector	52	12.1	Checking the free travel of the hand brake lever	83
11.6	Installing the fork protector	52	12.2	Adjusting the basic position of the hand brake lever	83
11.7	Removing the fork legs	52	12.3	Checking the brake discs	83
11.8	Installing the fork legs	53	12.4	Checking the brake fluid level of the front brake	84
11.9	Removing the lower triple clamp	54	12.5	Adding front brake fluid	85
11.10	Installing the lower triple clamp	55	12.6	Checking the front brake linings	86
11.11	Checking the steering head bearing play	57	12.7	Changing the front brake linings	86
11.12	Adjusting the steering head bearing play	58	12.8	Checking the free travel of foot brake lever	88
11.13	Lubricating the steering head bearing	58	12.9	Adjusting the basic position of the foot brake lever	89
11.14	Removing the start number plate	59	12.10	Checking the rear brake fluid level	90
11.15	Installing the start number plate	59	12.11	Adding rear brake fluid	90
11.16	Removing front fender	59	12.12	Checking the brake linings of the rear brake	91
11.17	Installing front fender	60	12.13	Changing the rear brake linings	92
11.18	Removing the shock absorber	60	13	WHEELS, TIRES	94
11.19	Installing the shock absorber	61	13.1	Removing the front wheel	94
11.20	Removing the seat	63	13.2	Installing the front wheel	95
11.21	Mounting the seat	64	13.3	Removing the rear wheel	95
11.22	Removing the air filter box cover	64	13.4	Installing the rear wheel	96
11.23	Installing the air filter box cover	65	13.5	Checking the tire condition	98
11.24	Removing the air filter	65	13.6	Checking the tire air pressure	98
11.25	Cleaning the air filter and air filter box	66	13.7	Checking spoke tension	99
11.26	Installing the air filter	67	14	ELECTRICAL SYSTEM	100
11.27	Preparing air filter box cover for securing	67	14.1	Removing the battery	100
11.28	Removing the main silencer	67	14.2	Installing the battery	100
11.29	Installing the main silencer	68	14.3	Recharging the battery	101
11.30	Changing the glass fiber yarn filling of the main silencer	68	14.4	Changing the main fuse	102
11.31	Removing the fuel tank	69			
11.32	Installing the fuel tank	71			

TABLE OF CONTENTS

15	COOLING SYSTEM	104	22.7.3	XC-F US.....	133
15.1	Cooling system	104	22.8	Shock absorber	133
15.2	Checking the antifreeze and coolant level.....	104	22.8.1	SX-F EU.....	133
15.3	Checking the coolant level	105	22.8.2	SX-F US.....	134
15.4	Draining the coolant 🛠.....	105	22.8.3	XC-F US.....	135
15.5	Refilling with coolant 🛠.....	106	22.9	Chassis tightening torques	135
15.6	Changing the coolant.....	107	23	SUBSTANCES	138
16	TUNING THE ENGINE.....	108	24	AUXILIARY SUBSTANCES	140
16.1	Checking the play in the throttle cable	108	25	STANDARDS	142
16.2	Adjusting the play in the throttle cable 🛠.....	108	26	INDEX OF SPECIAL TERMS	143
16.3	Adjusting the characteristic map of the throttle response 🛠.....	110	27	LIST OF ABBREVIATIONS.....	144
16.4	Changing the mapping.....	111	28	LIST OF SYMBOLS.....	145
16.5	Adjusting the idle speed 🛠.....	111	28.1	Yellow and orange symbols.....	145
16.6	Teaching the throttle valve position.....	112	INDEX.....		146
16.7	Checking the basic position of the shift lever.....	113			
16.8	Adjusting the basic position of the shift lever 🛠.....	113			
17	SERVICE WORK ON THE ENGINE	114			
17.1	Changing the fuel screen 🛠.....	114			
17.2	Checking the engine oil level.....	116			
17.3	Changing the engine oil and oil filter, cleaning the oil screens 🛠.....	116			
17.4	Adding engine oil	119			
18	CLEANING, CARE	120			
18.1	Cleaning the motorcycle	120			
19	STORAGE.....	122			
19.1	Storage	122			
19.2	Preparing for use after storage.....	123			
20	TROUBLESHOOTING	124			
21	BLINK CODE	126			
22	TECHNICAL DATA.....	128			
22.1	Engine	128			
22.2	Engine tightening torques	129			
22.3	Capacities	130			
22.3.1	Engine oil	130			
22.3.2	Coolant	130			
22.3.3	Fuel	130			
22.4	Chassis	131			
22.5	Electrical system.....	131			
22.6	Tires.....	132			
22.7	Fork.....	132			
22.7.1	SX-F EU.....	132			
22.7.2	SX-F US.....	132			

1.1 Symbols used

The meaning of specific symbols is described below.

	Indicates an expected reaction (e.g. of a work step or a function).
	Indicates an unexpected reaction (e.g. of a work step or a function).
	All work marked with this symbol requires specialist knowledge and technical understanding. In the interest of your own safety, have these jobs performed by an authorized KTM workshop! Your motorcycle will be optimally cared for there by specially trained experts using the auxiliary tools required.
	Indicates a page reference (more information is provided on the specified page).
	Indicates information with more details or tips.
	Indicates the result of a testing step.
	Indicates a voltage measurement.
	Indicates a current measurement.
	Indicates the end of an activity, including potential rework.

1.2 Formats used

The typographical formats used in this document are explained below.

Proprietary name	Indicates a proprietary name.
Name®	Indicates a protected name.
Brand™	Indicates a brand available on the open market.
<u>Underlined terms</u>	Refer to technical details of the vehicle or indicate technical terms, which are explained in the glossary.

2.1 Use definition – intended use

(All SX-F models)

This vehicle is designed and built to withstand the normal stresses and strains of competitive use. This vehicle complies with the currently valid regulations and categories of the top international motorsport organizations.



Info

Only operate this vehicle in closed-off areas remote from public road traffic.

(XC-F US)

This vehicle is designed and built to withstand the normal stresses and strains of competitive use. This vehicle complies with the currently valid regulations and categories of the top international motorsport organizations.



Info

Only operate this vehicle in closed-off areas remote from public road traffic.

This vehicle is designed for use in offroad endurance competition, and not primarily for use in motocross.

2.2 Misuse

The vehicle must only be used as intended.

Dangers can arise for people, property and the environment through use not as intended.

Any use of the vehicle beyond the intended and defined use constitutes misuse.

Misuse also includes the use of operating and auxiliary fluids which do not meet the required specification for the respective use.

2.3 Safety advice

A number of safety instructions need to be followed to operate the product described safely. Therefore read this instruction and all further instructions included carefully. The safety instructions are highlighted in the text and are referred to at the relevant passages.



Info

Various information and warning labels are attached in prominent locations on the product described. Do not remove any information or warning labels. If they are missing, you or others may not recognize dangers and may therefore be injured.

2.4 Degrees of risk and symbols



Danger

Identifies a danger that will immediately and invariably lead to fatal or serious permanent injury if the appropriate measures are not taken.



Warning

Identifies a danger that is likely to lead to fatal or serious injury if the appropriate measures are not taken.



Caution

Identifies a danger that may lead to minor injuries if the appropriate measures are not taken.

Note

Identifies a danger that will lead to considerable machine and material damage if the appropriate measures are not taken.



Note

Indicates a danger that will lead to environmental damage if the appropriate measures are not taken.

2.5 Tampering warning

Tampering with the noise control system is prohibited. Federal law prohibits the following acts or the causing thereof:

- 1 The removal or rendering inoperative by any person other than for purposes of maintenance, repair, or replacement, of any device or element of design incorporated into any new vehicle for the purpose of noise control prior to its sale or delivery to the ultimate purchaser or while it is in use, or
- 2 the use of the vehicle after such device or element of design has been removed or rendered inoperative by any person.

Among those acts presumed to constitute tampering are the acts listed below:

- 1 Removal or puncturing of the main silencer, baffles, header pipes or any other components which conduct exhaust gases.
- 2 Removal or puncturing of parts of the intake system.
- 3 Lack of proper maintenance.
- 4 Replacing moving part of the vehicle, or parts of the exhaust or intake system, with parts other than those specified by the manufacturer.

2.6 Safe operation



Danger

Danger of accidents A rider who is not fit to ride poses a danger to him or herself and others.

- Do not operate the vehicle if you are not fit to ride due to alcohol, drugs or medication.
- Do not operate the vehicle if you are physically or mentally impaired.



Danger

Danger of poisoning Exhaust gases are toxic and inhaling them may result in unconsciousness and death.

- Always make sure there is sufficient ventilation when running the engine.
- Use an effective exhaust extraction system when starting or running the engine in an enclosed space.



Warning

Danger of burns Some vehicle components become very hot when the vehicle is operated.

- Do not touch any parts such as the exhaust system, radiator, engine, shock absorber, or brake system before the vehicle parts have cooled down.
- Let the vehicle parts cool down before you perform any work on the vehicle.

Only operate the vehicle when it is in perfect technical condition, in accordance with its intended use, and in a safe and environmentally compatible manner.

The vehicle should only be used by trained persons.

Have malfunctions that impair safety promptly eliminated by an authorized KTM workshop.

Adhere to the information and warning labels on the vehicle.

2.7 Protective clothing



Warning

Risk of injury Missing or poor protective clothing presents an increased safety risk.

- Wear appropriate protective clothing such as helmet, boots, gloves as well as trousers and a jacket with protectors on all rides.
- Always wear protective clothing that is in good condition and meets the legal regulations.

In the interest of your own safety, KTM recommends that you only operate the vehicle while wearing protective clothing.

2.8 Work rules

Special tools are necessary for certain tasks. The tools are not a component of the vehicle, but can be ordered using the number in parentheses. Example: bearing puller (15112017000)

During assembly, use new parts to replace parts which cannot be reused (e.g. self-locking screws and nuts, seals, sealing rings, O-rings, pins, and lock washers).

In the case of certain screws, a thread locker (e.g. **Loctite**®) is required. Apply according to the manufacturer's instructions.

After disassembly, clean the parts that are to be reused and check them for damage and wear. Change damaged or worn parts.

After completing a repair or service work, check the operating safety of the vehicle.

2.9 Environment

If you use your motorcycle responsibly, you can ensure that problems and conflicts do not occur. To protect the future of the motorcycle sport, make sure that you use your motorcycle legally, display environmental consciousness, and respect the rights of others.

When disposing of used oil, other operating and auxiliary fluids, and used components, comply with the laws and regulations of the respective country.

Because motorcycles are not subject to the EU regulations governing the disposal of used vehicles, there are no legal regulations that pertain to the disposal of an end-of-life motorcycle. Your authorized KTM dealer will be glad to advise you.

2.10 Owner's Manual

It is important that you read this Owner's Manual carefully and completely before making your first trip. The Owner's Manual contains useful information and many tips on how to operate, handle, and maintain your motorcycle. Only then will you find out how to customize the vehicle ideally for your own use and how you can protect yourself from injury.

Keep the Owner's Manual in an accessible place to enable you to refer to it as needed.

If you would like to know more about the vehicle or have questions on the material you read, please contact an authorized KTM dealer.

The Owner's Manual is an important component of the vehicle and must be handed over to the new owner if the vehicle is sold.

The Owner's Manual is also available for download from your authorized KTM dealer and on the KTM website.
International KTM Website: <http://www.ktm.com>

3 IMPORTANT NOTES

3.1 Manufacturer and implied warranty

The work specified in the service schedule may only be performed in an authorized KTM workshop and must be recorded in both the Service & Warranty Booklet and in **KTM Dealer.net**, otherwise any warranty coverage will become void. Damage or secondary damage caused by tampering with and/or conversions on the vehicle are not covered by the warranty.

Additional information on the manufacturer or implied warranty and the procedures involved can be found in the Service & Warranty Booklet.

3.2 Operating and auxiliary substances



Note

Environmental hazard Improper handling of fuel is a danger to the environment.

- Do not allow fuel to enter the groundwater, the soil, or the sewage system.

Use operating and auxiliary substances in accordance with the Owner's Manual and specification.

3.3 Spare parts, accessories

For your own safety, only use spare parts and accessory products that are approved and/or recommended by KTM and have them installed by an authorized KTM workshop. KTM accepts no liability for other products and any resulting damage or loss.

Certain spare parts and accessory products are specified in parentheses in the descriptions. Your authorized KTM dealer will be glad to advise you.

The current **KTM PowerParts** for your vehicle can be found on the KTM website.

International KTM Website: <http://www.ktm.com>

3.4 Service

A prerequisite for perfect operation and prevention of premature wear is that the service, care, and tuning work on the engine and chassis is properly carried out as described in the Owner's Manual. Incorrect adjustment and tuning of the engine and chassis can lead to damage and breakage of components.

Use of the vehicle under difficult conditions, such as on sand or on wet and muddy surfaces, can lead to considerably more rapid wear of components such as the drive train, brake system, or suspension components. For this reason, it may be necessary to inspect or replace parts before the next scheduled service.

It is imperative that you adhere to the stipulated run-in times and service intervals. If you observe these exactly, you will ensure a much longer service life for your motorcycle.

3.5 Figures

The figures contained in the manual may depict special equipment.

In the interest of clarity, some components may be shown disassembled or may not be shown at all. It is not always necessary to disassemble the component to perform the activity in question. Please follow the instructions in the text.

3.6 Customer service

Your authorized KTM dealer will be happy to answer any questions you may have on your vehicle and KTM.

A list of authorized KTM dealers can be found on the KTM website.
International KTM Website: <http://www.ktm.com>

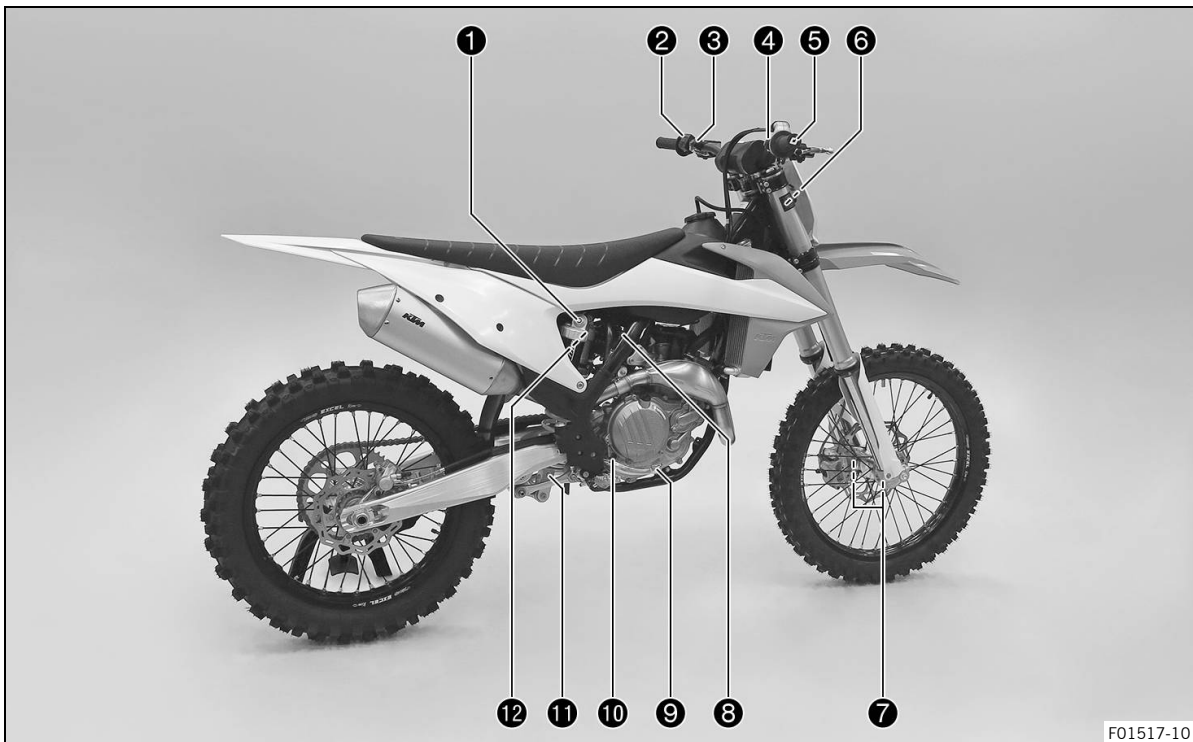
4 VIEW OF VEHICLE

4.1 View of vehicle, front left (example)



- ❶ Hand brake lever (📖 p. 16)
- ❷ Clutch lever (📖 p. 16)
- ❸ Filler cap
- ❹ Air filter box cover
- ❺ Plug-in stand (📖 p. 22) **(All SX-F models)**
- ❻ Cold start button (📖 p. 20)
- ❼ Engine number (📖 p. 14)
- ❽ Shift lever (📖 p. 21)

4.2 View of vehicle, rear right (example)

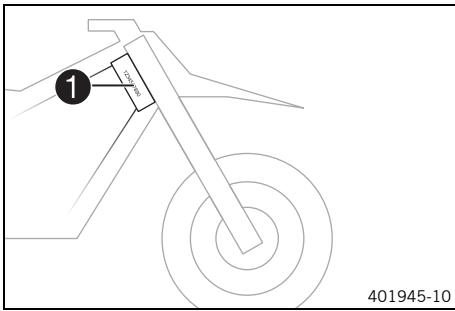


F01517-10

- ① Shock absorber compression adjustment
- ② Combination switch (📖 p. 17)
- ③ Kill switch (📖 p. 16)
- ④ Electric starter button (📖 p. 17)
- ⑤ Throttle grip (📖 p. 16)
- ⑥ Chassis number (📖 p. 14)
- ⑥ Type label (📖 p. 14)
- ⑦ Fork article number (📖 p. 14)
- ⑧ Idle speed adjusting screw (📖 p. 21)
- ⑨ Foot brake lever (📖 p. 22)
- ⑩ Engine oil level viewer
- ⑪ Shock absorber rebound adjustment
- ⑫ Shock absorber article number (📖 p. 15)

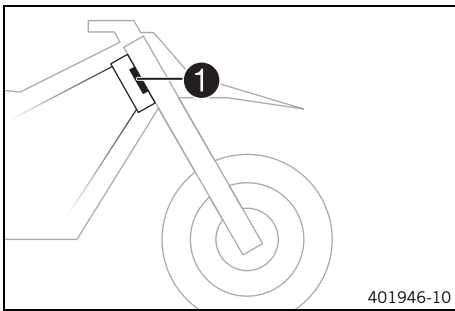
5 SERIAL NUMBERS

5.1 Chassis number



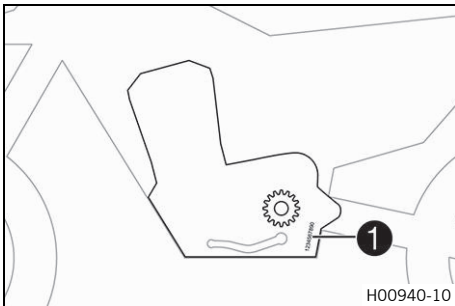
The chassis number **1** is stamped on the right side of the steering head.

5.2 Type label



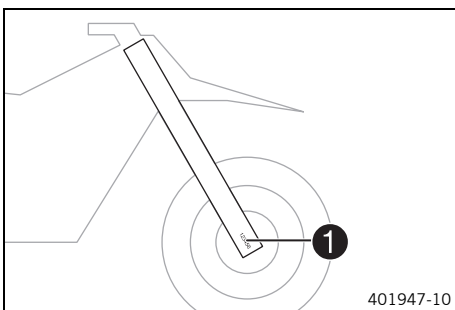
The type label **1** is fixed to the front of the steering head.

5.3 Engine number

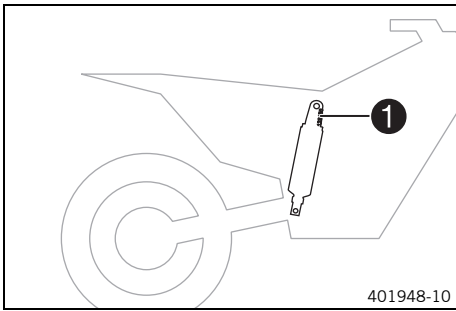


The engine number **1** is stamped on the left side of the engine.

5.4 Fork article number

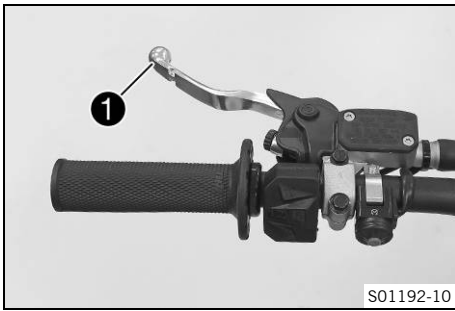


The fork article number **1** is stamped on the inside of the axle clamp.

5.5 Shock absorber article number

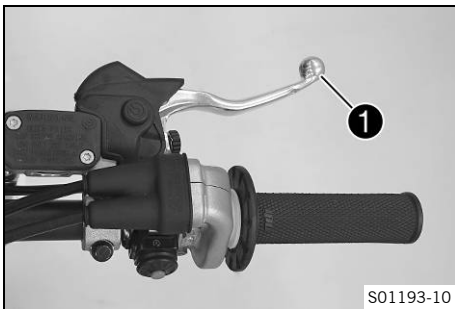
Shock absorber article number **1** is stamped on the top of the shock absorber above the adjusting ring towards the engine side.

6.1 Clutch lever



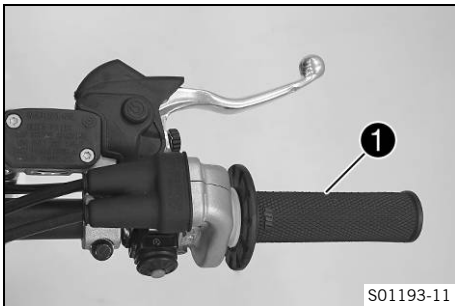
The clutch lever ❶ is fitted on the left side of the handlebar. The clutch is hydraulically operated and self-adjusting.

6.2 Hand brake lever



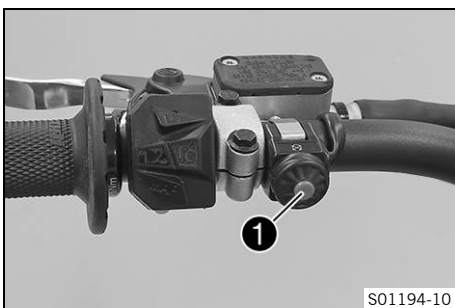
Hand brake lever ❶ is fitted on the right side of the handlebar. The front brake is engaged using the hand brake lever.

6.3 Throttle grip



The throttle grip ❶ is fitted on the right side of the handlebar.

6.4 Kill switch

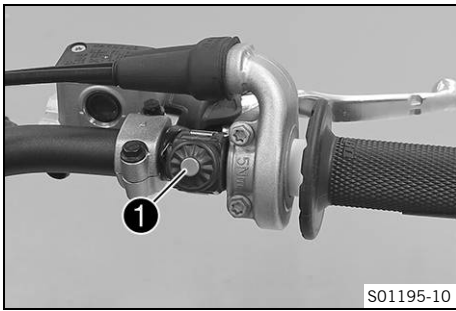


Kill switch ❶ is fitted on the left side of the handlebar.

Possible states

- Kill switch ☒ in basic position – In this position, the ignition circuit is closed and the engine can be started.
- Kill switch ☒ pressed – In this position, the ignition circuit is interrupted, a running engine stops, and a non-running engine will not start.

6.5 Electric starter button



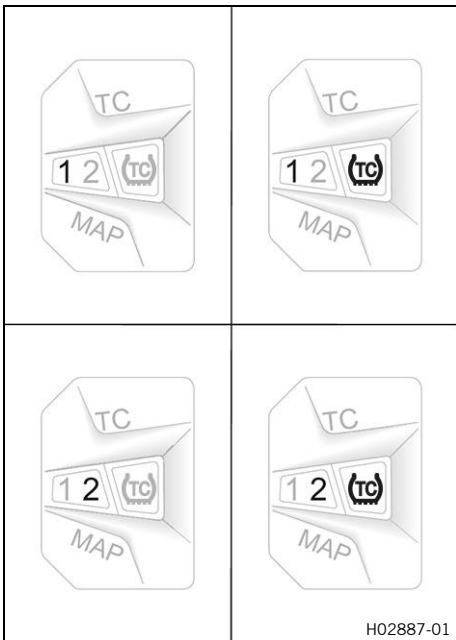
Electric starter button ❶ is fitted on the right side of the handlebar.

Possible states

- Electric starter button ❸ in basic position
- Electric starter button ❸ pressed – In this position, the electric starter is actuated.

S01195-10

6.6 Combination switch



The combination switch is fitted on the left side of the handlebar.

Possible states

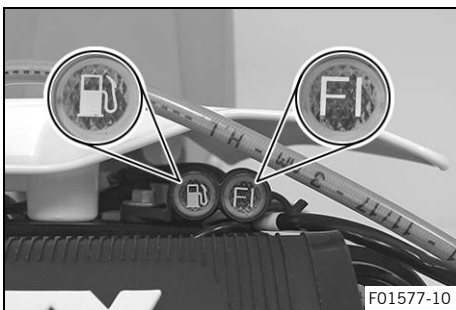
1	STANDARD – STANDARD mapping is activated when LED 1 lights up.
1TC	STANDARD with TC – STANDARD mapping with traction control is activated when LED 1 and TC light up.
2	ADVANCED – ADVANCED mapping is activated, when LED 2 lights up.
2TC	ADVANCED with TC – ADVANCED mapping with traction control is activated when LED 2 and TC light up.

The engine characteristic can be changed using button **MAP** on the combination switch.

The launch control and the traction control can also be activated using the combination switch.

H02887-01

6.7 Indicator lamps overview



Possible states

FI	Malfunction indicator lamp lights up/flashes orange – The <u>OBD</u> has detected an error in the vehicle electronics.
FI	Malfunction indicator lamp flashes orange rapidly – Launch control is activated.

(XC-F US)

	Fuel level warning lamp lights up orange – The fuel level has reached the reserve mark.
--	---

F01577-10

6.8 Service hour counter



Service hour counter **1** is fitted in front of the handlebar. It shows the total number of service hours of the engine. The service hour counter begins counting when the engine is started and stops when the engine is switched off.



Info

The value indicated by the service hour counter cannot be cleared or adjusted.

6.9 Opening the filler cap



Danger

Fire hazard Fuel is highly flammable.

The fuel in the fuel tank expands when warm and can escape if overfilled.

- Do not refuel the vehicle in the vicinity of open flames or lit cigarettes.
- Switch off the engine for refueling.
- Make sure that no fuel is spilled; particularly not on hot parts of the vehicle.
- If any fuel is spilled, wipe it off immediately.
- Observe the specifications for refueling.



Warning

Danger of poisoning Fuel is poisonous and a health hazard.

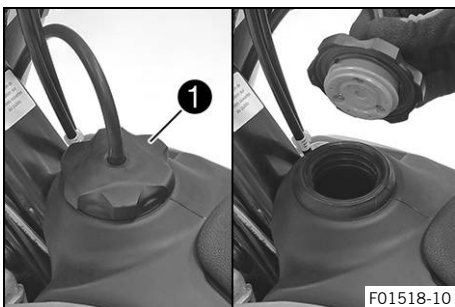
- Avoid skin, eye and clothing contact with fuel.
- Immediately consult a doctor if you swallow fuel.
- Do not inhale fuel vapors.
- In case of skin contact, rinse the affected area with plenty of water.
- Rinse the eyes thoroughly with water, and consult a doctor in case of fuel contact with the eyes.
- Change your clothing in case of fuel spills on them.
- Keep fuels correctly in a suitable canister, and out of the reach of children.



Note

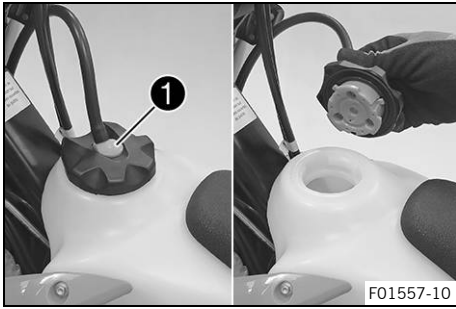
Environmental hazard Improper handling of fuel is a danger to the environment.

- Do not allow fuel to enter the groundwater, the soil, or the sewage system.



(All SX-F models)

- Turn filler cap **1** counterclockwise and lift it off.

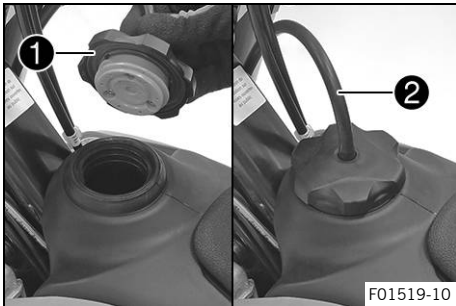


(XC-F US)

- Press release button **1**, turn the filler cap counterclockwise, and lift it off.



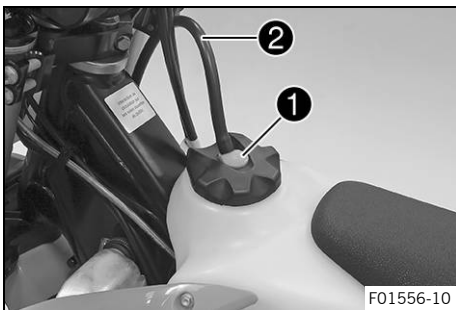
6.10 Closing the filler cap



(All SX-F models)

- Mount filler cap **1** and turn it clockwise until the fuel tank is tightly closed.

i Info
Route fuel tank breather hose **2** without kinks.



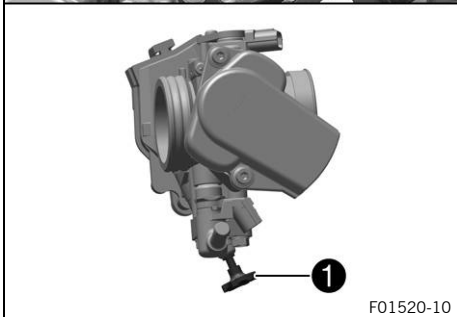
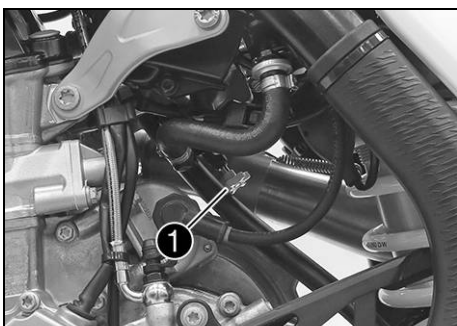
(XC-F US)

- Replace the filler cap and turn clockwise until release button **1** locks in place.

i Info
Route fuel tank breather hose **2** without kinks.

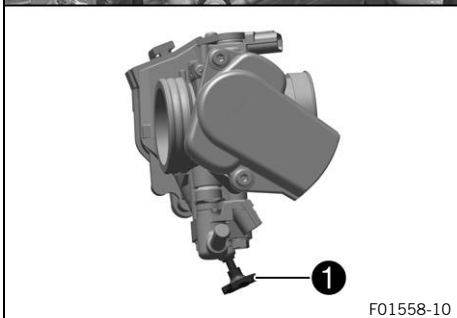


6.11 Cold start button



(All SX-F models)

The cold start button **1** is fitted on the bottom of the throttle valve body.



(XC-F US)

The cold start button **1** is fitted on the bottom of the throttle valve body.

The injection system extends the injection time if the engine is cold and the outside temperature is low. To help the engine burn the increased amount of fuel, it must be supplied with additional oxygen by pushing the cold start button. After briefly opening up the throttle and then releasing the throttle grip again, or turning the throttle grip towards the front, the cold start button returns to its original position.

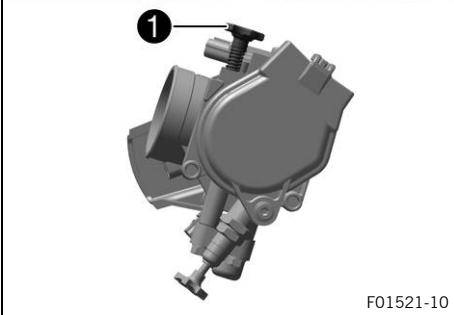
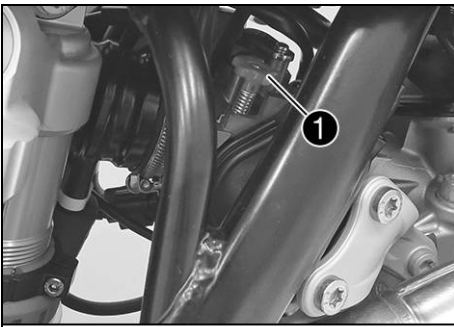
i Info

Check whether the cold start button has returned to its basic position.

Possible states

- The cold start button is activated – The cold start button is pushed in all the way.
- The cold start button is deactivated – The cold start button is in its basic position.

6.12 Idle speed adjusting screw



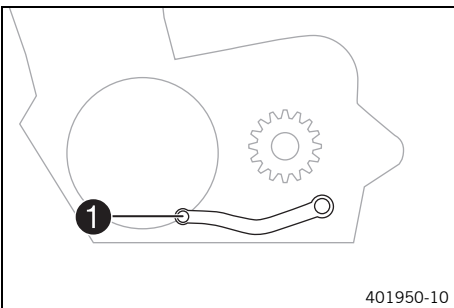
The idle setting of the throttle valve body has a big influence on the vehicle's starting behavior, on stable idling, and on vehicle response when the throttle is opened.

An engine with a correctly set idle speed is easier to start than an engine with the idle speed set incorrectly.

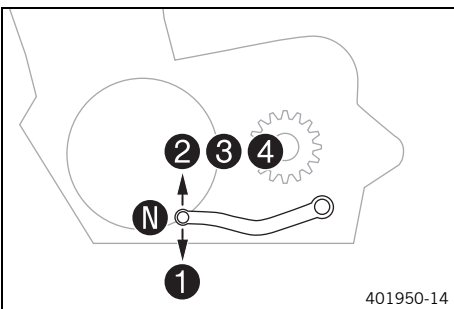
The idle speed is adjusted with idle speed adjusting screw **1**. Increase the idle speed by turning the idle speed adjusting screw clockwise.

Decrease the idle speed by turning the idle speed adjusting screw counterclockwise.

6.13 Shift lever



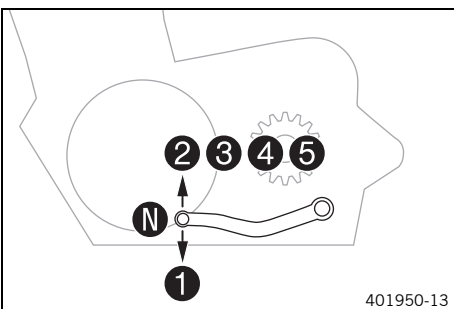
Shift lever **1** is mounted on the left of the engine.



(SX-F EU)

The gear positions can be seen in the figure.

The neutral or idle position is between the first and second gears.

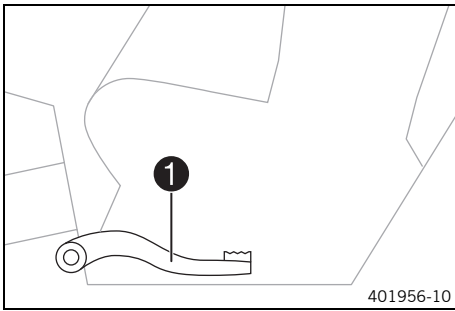


(SX-F US, XC-F US)

The gear positions can be seen in the figure.

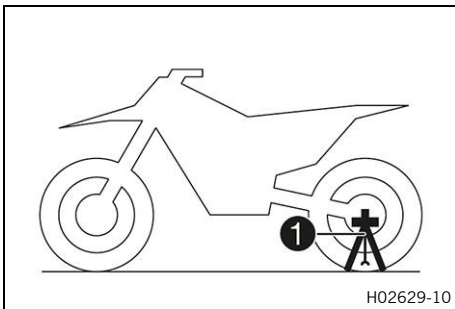
The neutral or idle position is between the first and second gears.

6.14 Foot brake lever



Foot brake lever **1** is located in front of the right footrest. The foot brake lever is used to activate the rear brake.

6.15 Plug-in stand (All SX-F models)



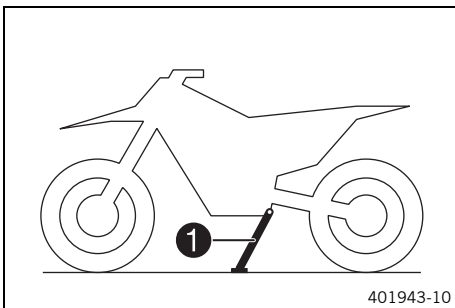
Support for plug-in stand **1** is the left side of the wheel spindle. The plug-in stand is used to park the motorcycle. The plug-in stand is used as a fork locker when transporting the motorcycle.



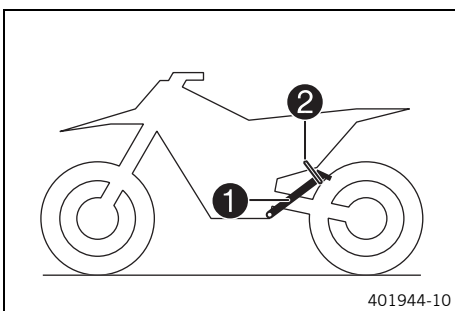
Info

Remove the plug-in stand before riding.

6.16 Side stand (XC-F US)



The side stand **1** is on the left side of the vehicle.



The side stand is used to park the motorcycle.



Info

When you are riding, side stand **1** must be folded up and secured with rubber band **2**.

7.1 Advice on preparing for first use



Danger

Danger of accidents A rider who is not fit to ride poses a danger to him or herself and others.

- Do not operate the vehicle if you are not fit to ride due to alcohol, drugs or medication.
- Do not operate the vehicle if you are physically or mentally impaired.



Warning

Risk of injury Missing or poor protective clothing presents an increased safety risk.

- Wear appropriate protective clothing such as helmet, boots, gloves as well as trousers and a jacket with protectors on all rides.
- Always wear protective clothing that is in good condition and meets the legal regulations.



Warning

Danger of crashing Different tire tread patterns on the front and rear wheel impair the handling characteristic.

Different tire tread patterns can make the vehicle significantly more difficult to control.

- Make sure that only tires with a similar tire tread pattern are fitted to the front and rear wheel.



Warning

Danger of accidents An unadapted riding style impairs the handling characteristic.

- Adapt your riding speed to the road conditions and your riding ability.



Warning

Danger of accidents The vehicle is not designed to carry passengers.

- Do not ride with a passenger.



Warning

Danger of accidents The brake system fails in the event of overheating.

If the foot brake lever is not released, the brake linings drag continuously.

- Take your foot off the foot brake lever when you are not braking.



Warning

Danger of accidents Total weight and axle loads influence the handling characteristic.

- Do not exceed the maximum permissible overall weight or the axle loads.



Warning

Risk of misappropriation People who act without authorization endanger themselves and others.

- Do not leave the vehicle unattended if the engine is running.
- Protect the vehicle against access by unauthorized persons.



Info

When using the motorcycle, remember that others may feel disturbed by excessive noise.

- Ensure that the pre-delivery inspection work has been carried out by an authorized KTM workshop.
 - ✓ The delivery certificate and the Service and Manufacturer Warranty Booklet must be transferred with the vehicle.



Info

The delivery certificate and the Service and Manufacturer Warranty Booklet are regarded as evidence of warranty services.

- Read the entire Owner's Manual before riding for the first time.
- Get to know the controls.
- Adjust the basic position of the clutch lever. (📖 p. 80)
- Adjust the basic position of the hand brake lever. (📖 p. 83)
- Adjust the basic position of the foot brake lever. 🦶 (📖 p. 89)
- Set the basic position of the shift lever. 🦶 (📖 p. 113)
- Get used to handling the motorcycle in a suitable area before undertaking a more demanding ride.



Info

This vehicle is not approved for use on public roads. When off road, it is recommended that you are accompanied by another person on another vehicle so that you can help each other.

- Also, ride as slowly as possible and in a standing position to get a better feeling for the motorcycle.
- Do not undertake any off-road trips that exceed your ability and experience.
- Hold the handlebar firmly with both hands and keep your feet on the footrests when riding.

(All SX-F models)

- Do not carry luggage.

(XC-F US)

- If luggage is carried, ensure it is fixed firmly as close as possible to the center of the vehicle and ensure even weight distribution between the front and rear wheels.



Info

Motorcycles react sensitively to any changes of weight distribution.

- Do not exceed maximum permissible weight and maximum permissible axle loads.

Guideline

Maximum permissible overall weight	335 kg (739 lb.)
Maximum permissible front axle load	145 kg (320 lb.)
Maximum permissible rear axle load	190 kg (419 lb.)

- Run in the engine. (📖 p. 24)

7.2 Running in the engine

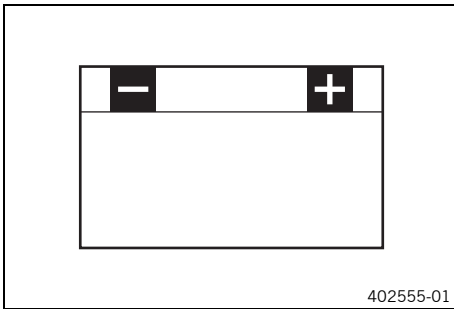
- During the running-in phase, do not exceed the specified engine speed and engine performance.

Guideline

Maximum engine speed	
During the first operating hour	7,000 rpm
Maximum engine performance	
During the first 3 operating hours	≤ 75 %

- Avoid fully opening the throttle!

7.3 Starting power of lithium-ion batteries at low temperatures



Lithium-ion batteries are far lighter than lead batteries, have a low self-discharge rate, and have more starting power at temperatures over 15 °C (60 °F). At low temperatures, however, the starting power of lithium-ion batteries drops to below that of lead batteries.

Multiple starting attempts may be needed. Press the electric starter button for 5 seconds, and wait 30 seconds between attempts. The pauses are necessary so that the created heat can distribute through the lithium-ion battery and the battery is not damaged.

If the charged lithium-ion battery does not or only weakly turns over the electric starter when temperatures are below 15 °C (60 °F), then the battery is not faulty, but needs to be warmed up internally to increase its starting power (current output).

The starting power increases as the battery warms up.

7.4 Preparing the vehicle for difficult riding conditions

i Info

Use of the vehicle under difficult conditions, such as on sand or on wet and muddy surfaces, can lead to considerably more rapid wear of components such as the drive train, brake system, or suspension components. For this reason, it may be necessary to inspect or replace parts before the next scheduled service.

- Clean the air filter and air filter box. 🛠️ (📖 p. 66)

i Info

Check the air filter approx. every 30 minutes.

- Prepare air filter box cover for securing. 🛠️ (📖 p. 67)
- Check the electrical connector for humidity and corrosion and to ensure it is firmly seated.
 - » If humidity, corrosion, or damage is found:
 - Clean and dry the connector, or change it if necessary.

Difficult riding conditions are:

- Rides on dry sand. (📖 p. 25)
- Rides on wet sand. (📖 p. 26)
- Rides on wet and muddy circuits. (📖 p. 27)
- Rides at high temperatures or slow riding. (📖 p. 27)
- Riding at low temperatures and in snow. (📖 p. 27)



7.5 Preparing vehicle for rides on dry sand



- Mount a dust cover on the air filter.

Dust protection device for air filter (79006920000)

i Info

Observe fitting instructions for **KTM PowerParts**.



- Mount a sand cover on the air filter.

Sand protection device for air filter (79006922000)



Info

Observe fitting instructions for **KTM PowerParts**.



- Clean the chain.

Chain cleaner (📖 p. 140)

- Mount the steel sprocket.

- Grease the chain.

Universal oil spray (📖 p. 141)

- Clean the radiator fins.

- Straighten bent radiator fins carefully.

7.6 Preparing vehicle for rides on wet sand



- Fit a rain cover on the air filter.

Waterproofing device for air filter (79006921000)



Info

Observe fitting instructions for **KTM PowerParts**.



- Clean the chain.

Chain cleaner (📖 p. 140)

- Mount the steel sprocket.

- Grease the chain.

Universal oil spray (📖 p. 141)

- Clean the radiator fins.

- Straighten bent radiator fins carefully.

7.7 Preparing vehicle for rides on wet and muddy circuits



- Fit a rain cover on the air filter.

Waterproofing device for air filter (79006921000)

i Info
Observe fitting instructions for **KTM PowerParts**.



- Mount the steel sprocket.
- Clean the motorcycle. (📖 p. 120)
- Straighten bent radiator fins carefully.

7.8 Preparing vehicle for high temperatures or slow riding



- Adjust the secondary drive to the road conditions.

i Info
The engine oil heats up quickly when the clutch is operated frequently due to an excessively high secondary ratio.

- Clean the chain.

Chain cleaner (📖 p. 140)

- Clean the radiator fins.
- Straighten bent radiator fins carefully.
- Check the coolant level. (📖 p. 105)

7.9 Preparing vehicle for low temperatures or snow



- Fit a rain cover on the air filter.

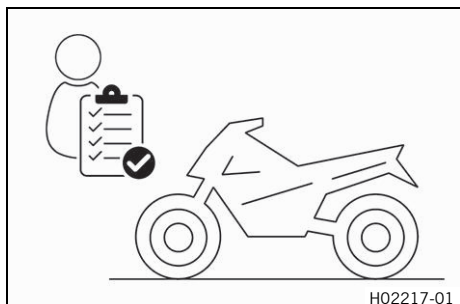
Waterproofing device for air filter (79006921000)

i Info
Observe fitting instructions for **KTM PowerParts**.

8.1 Checks and maintenance measures when preparing for use

i Info

Before every trip, check the condition of the vehicle and ensure that it is safe to operate. The vehicle must be in perfect technical condition when it is being operated.



- Check the engine oil level. (📖 p. 116)
- Check the brake fluid level of the front brake. (📖 p. 84)
- Check the rear brake fluid level. (📖 p. 90)
- Check the front brake linings. (📖 p. 86)
- Check the brake linings of the rear brake. (📖 p. 91)
- Check that the brake system is functioning properly.
- Check the coolant level. (📖 p. 105)
- Check for chain dirt accumulation. (📖 p. 73)
- Check the chain, rear sprocket, engine sprocket, and chain guide. (📖 p. 76)
- Check the chain tension. (📖 p. 74)
- Check the tire condition. (📖 p. 98)
- Check the tire air pressure. (📖 p. 98)
- Check the spoke tension. (📖 p. 99)

i Info

The spoke tension must be checked regularly as incorrect spoke tension will strongly impair riding safety.

- Clean the dust boots of the fork legs. (📖 p. 51)
- Bleed the fork legs. (📖 p. 51)
- Check the air filter.
- Check the settings of all controls and ensure that they can be operated smoothly.
- Check all screws, nuts, and hose clamps regularly for tightness.
- Check the fuel level.

8.2 Starting the vehicle



Danger

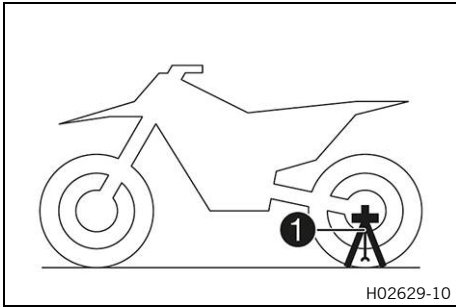
Danger of poisoning Exhaust gases are toxic and inhaling them may result in unconsciousness and death.

- Always make sure there is sufficient ventilation when running the engine.
- Use an effective exhaust extraction system when starting or running the engine in an enclosed space.

Note

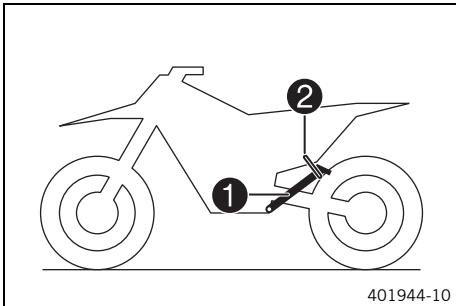
Engine damage High revving speed with a cold engine negatively impacts the lifespan of the engine.

- Always run the engine warm at a low speed.



(All SX-F models)

- Remove the plug-in stand ❶.



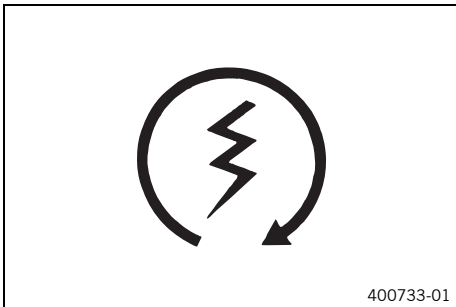
(XC-F US)

- Take the motorcycle off side stand ❶ and secure the side stand with rubber band ❷.
- Shift the transmission to idle.

Condition

Ambient temperature: < 20 °C (< 68 °F)

- Push the cold start button in all the way.



- Press the electric starter button ④.

i Info

Press the electric starter button for a maximum of 5 seconds. Wait for 30 seconds before a further attempt at starting. At temperatures below 15 °C (60 °F), several attempts at starting may be necessary to warm-up the lithium-ion battery and thereby increase the starting power. During the starting process, the malfunction indicator lamp lights up.

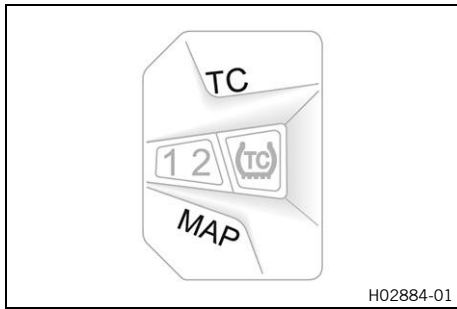
8.3 Activating launch control

i Info

The launch control helps the rider to generate optimum motorcycle acceleration at the beginning of a race. The maximum speed of the engine with the throttle valve fully opened (full throttle) is reduced. After the start, it is gradually increased up to the maximum engine speed. The clutch must be operated exactly as it would be without launch control activated.

Condition

The motorcycle is stationary.
The engine is running at idle speed.
The transmission is in neutral.



- Press and hold the **MAP** and **TC** buttons simultaneously.
 - ✓ The malfunction indicator lamp flashes orange rapidly.

i Info

The launch control is deactivated automatically for a few seconds after the vehicle has started. The launch control is also deactivated in the following cases (malfunction indicator lamp no longer flashes): if the throttle valve is closed more than 1/3 of the way after full throttle, and/or if there is no start within 3 minutes.

For safety reasons, the engine must be switched off for at least 10 seconds before the launch control can be activated again, regardless of whether the vehicle has been started or not.

If the engine has already been running for some time, the engine must first be restarted before the launch control can be activated.

8.4 Activating traction control

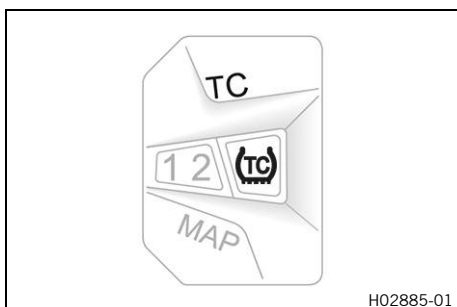
i Info

The traction control reduces excessive slip on the rear wheel in favor of more control and propulsion, particularly in wet conditions.

When traction control is switched off, the rear wheel may spin more during high acceleration and on surfaces with low grip.

Traction control can be switched on or off during the ride.

The setting most recently selected is activated again when restarting.



- Press button **TC** to switch the traction control on or off.

Guideline

Engine speed	≤ 4,000 rpm
--------------	-------------

- ✓ The **TC** LED lights up when the traction control is activated.

8.5 Starting off

- Pull the clutch lever, engage 1st gear, release the clutch lever slowly and simultaneously open the throttle carefully.

8.6 Shifting, riding



Warning

Danger of accidents If you change down at high engine speed, the rear wheel blocks and the engine races.

- Do not change into a low gear at high engine speed.



Info

If unusual noises occur while riding, stop immediately (taking care not to endanger yourself or other road users in the process), switch off the engine and contact an authorized KTM workshop. First gear is used for starting off and for steep inclines.

- Shift into a higher gear when conditions allow (incline, road situation, etc.). To do so, release the throttle while simultaneously pulling the clutch lever, shift into the next gear, release the clutch lever and open the throttle.
- If the cold start button was pushed while starting, open the throttle briefly and release the throttle grip or turn the throttle grip forward.
 - ✓ The cold start button goes to the basic position.
- After reaching maximum speed by fully opening the throttle grip, turn the throttle back so it is $\frac{3}{4}$ open. This will barely reduce the speed but fuel consumption will be considerably lower.
- Only open the throttle as much as the engine can handle – abrupt throttle opening increases fuel consumption.
- To shift down, apply the brakes and close the throttle at the same time.
- Pull the clutch lever and shift into a lower gear, release the clutch lever slowly, and either open the throttle or shift again.
- Switch off the engine if you are likely to be running at idle or stationary for a long time.

Guideline

$\geq 1 \text{ min}$

- Avoid frequent or longer slipping of the clutch. As a result the engine oil, engine and cooling system heat up.
- Ride at a low engine speed instead of at a high engine speed with a slipping clutch.



8.7 Applying the brakes



Warning

Danger of accidents Excessively forceful application of the brakes blocks the wheels.

- Adjust application of the brakes to the respective riding situation and riding surface conditions.



Warning

Danger of accidents A spongy pressure point on the front or rear brake reduces braking efficiency.

- Check the brake system and do not continue riding until the problem is eliminated. (Your authorized KTM workshop will be glad to help.)



Warning

Danger of accidents Moisture and dirt impair the brake system.

- Brake carefully several times to dry out and remove dirt from the brake linings and the brake discs.

- On sandy, wet, or slippery surfaces, use mostly the rear brake.
- Always finish braking before you go into a bend. Shift down to a lower gear appropriate to your speed.

- Use the braking effect of the engine on long downhill stretches. Shift back one or two gears, but do not over-rev the engine when doing so. This means that significantly less braking is required and the brake system does not overheat.

8.8 Stopping, parking



Warning

Risk of misappropriation People who act without authorization endanger themselves and others.

- Do not leave the vehicle unattended if the engine is running.
- Protect the vehicle against access by unauthorized persons.



Warning

Danger of burns Some vehicle components become very hot when the vehicle is operated.

- Do not touch any parts such as the exhaust system, radiator, engine, shock absorber, or brake system before the vehicle parts have cooled down.
- Let the vehicle parts cool down before you perform any work on the vehicle.

Note

Material damage The vehicle may be damaged by incorrect procedure when parking.

Significant damage may be caused if the vehicle rolls away or falls over.


The components for parking the vehicle are designed only for the weight of the vehicle.

- Park the vehicle on a firm and level surface.
- Ensure that nobody sits on the vehicle when the vehicle is parked on a stand.

Note

Fire hazard Hot vehicle components pose a fire hazard and explosion risk.

- Do not park the vehicle near to materials which are highly flammable or explosive.
- Allow the vehicle to cool down before covering it.

- Apply the brakes on the motorcycle.
- Shift the transmission to idle.
- Press and hold the kill switch  while the engine is idling until the engine stops.
- Park the motorcycle on firm ground.

8.9 Transporting

Note

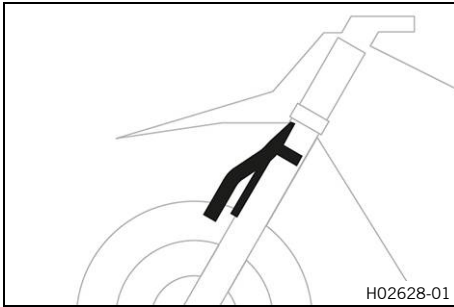
Danger of damage The parked vehicle can roll away or fall over.

- Park the vehicle on a firm and level surface.

Note

Fire hazard Hot vehicle components pose a fire hazard and explosion risk.

- Do not park the vehicle near to materials which are highly flammable or explosive.
- Allow the vehicle to cool down before covering it.



(All SX-F models)

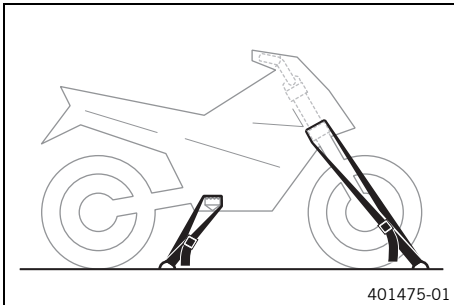
- Switch off the engine.
- Mount plug-in stand on the fork legs.

Plug-in stand (79029094000)



Info

The plug-in stand is included.
Make sure the brake line runs in front of the plug-in stand and does not become wedged.



- Use tension belts or other suitable devices to secure the motorcycle against falling over or rolling away.



Info

Only tighten the tension belts to the point that the plug-in stand is in contact with the fender and tires.
Pay attention to the alignment of the plug-in stand to the fender.

(XC-F US)

- Switch off the engine.
- Use tension belts or other suitable devices to secure the motorcycle against falling over or rolling away.

8.10 Refueling



Danger

Fire hazard Fuel is highly flammable.

The fuel in the fuel tank expands when warm and can escape if overfilled.

- Do not refuel the vehicle in the vicinity of open flames or lit cigarettes.
- Switch off the engine for refueling.
- Make sure that no fuel is spilled; particularly not on hot parts of the vehicle.
- If any fuel is spilled, wipe it off immediately.
- Observe the specifications for refueling.



Warning

Danger of poisoning Fuel is poisonous and a health hazard.

- Avoid skin, eye and clothing contact with fuel.
- Immediately consult a doctor if you swallow fuel.
- Do not inhale fuel vapors.
- In case of skin contact, rinse the affected area with plenty of water.
- Rinse the eyes thoroughly with water, and consult a doctor in case of fuel contact with the eyes.
- Change your clothing in case of fuel spills on them.

Note

Material damage Inadequate fuel quality causes the fuel filter to quickly become clogged.

In some countries and regions, the available fuel quality and cleanliness may not be sufficient. This will result in problems with the fuel system.

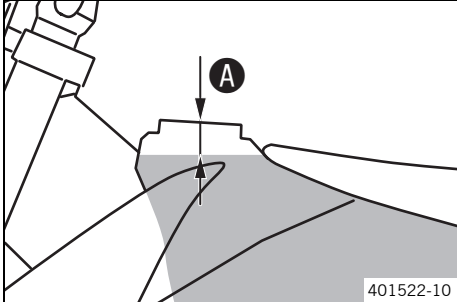
- Refuel only with clean fuel that meets the specified standards. (Your authorized KTM workshop will be glad to help.)



Note

Environmental hazard Improper handling of fuel is a danger to the environment.

- Do not allow fuel to enter the groundwater, the soil, or the sewage system.



- Switch off the engine.
- Open the filler cap. (📖 p. 18)
- Fill the fuel tank with fuel up to measurement **A**.

Guideline

Measurement of A	35 mm (1.38 in)
-------------------------	-----------------

Total fuel tank capacity, approx. (All SX-F models)

Super unleaded (ROZ 95/RON 95/PON 91) (📖 p. 139)	7 l (1.8 US gal)
--	------------------

Total fuel tank capacity, approx. (XC-F US)

Super unleaded (ROZ 95/RON 95/PON 91) (📖 p. 139)	8.5 l (2.25 US gal)
--	---------------------

- Close the filler cap. (📖 p. 19)



9.1 Additional information

Any further work that results from the required work or from the recommended work must be ordered separately and can be invoiced separately.
 Different service intervals may apply in your country, depending on the local operating conditions.
 Individual service intervals and scopes may change in the course of technical developments. The most up-to-date service schedule can always be found on KTM Dealer.net. Your authorized KTM dealer will be happy to advise you.

9.2 Required work

	after every race				
	Every 40 operating hours				
	Every 30 operating hours				
	Every 20 operating hours				
	Every 10 operating hours				
	Once after 1 operating hour				
Read out the fault memory using the KTM diagnostics tool. 🛠️	○	●	●	●	●
Check and charge the battery. 🛠️		●	●	●	●
Check the front brake linings. (📖 p. 86)		●	●	●	●
Check the brake linings of the rear brake. (📖 p. 91)		●	●	●	●
Check the brake discs. (📖 p. 83)		●	●	●	●
Check the brake lines for damage and leakage.		●	●	●	●
Check the rear brake fluid level. (📖 p. 90)		●	●	●	●
Check the free travel of the foot brake lever. (📖 p. 88)		●	●	●	●
Check the frame. 🛠️ (📖 p. 78)		●	●	●	●
Check the swingarm. 🛠️ (📖 p. 78)		●	●	●	●
Check the swingarm bearing for play. 🛠️			●		●
Check the heim joint for play. 🛠️		●	●	●	●
Check the shock absorber linkage. 🛠️		●	●	●	●
Check the tire condition. (📖 p. 98)	○	●	●	●	●
Check the tire air pressure. (📖 p. 98)	○	●	●	●	●
Check the wheel bearing for play. 🛠️		●	●	●	●
Check the wheel hubs. 🛠️		●	●	●	●
Check the rim run-out. 🛠️	○	●	●	●	●
Check the spoke tension. (📖 p. 99)	○	●	●	●	●
Check the chain, rear sprocket, engine sprocket, and chain guide. (📖 p. 76)		●	●	●	●
Check the chain tension. (📖 p. 74)	○	●	●	●	●
Grease all moving parts (e.g., hand lever, chain, ...) and check for smooth operation. 🛠️		●	●	●	●
Check/correct the fluid level of the hydraulic clutch. (📖 p. 80)		●	●	●	●
Check the brake fluid level of the front brake. (📖 p. 84)		●	●	●	●
Check the free travel of the hand brake lever. (📖 p. 83)		●	●	●	●
Check the steering head bearing play. (📖 p. 57)	○	●	●	●	●
Check the valve clearance. 🛠️	○			●	
Check the clutch. 🛠️		●	●	●	●
Change the engine oil and oil filter and clean the oil screens. 🛠️ (📖 p. 116)	○	●	●	●	●


9 SERVICE SCHEDULE

	after every race					
		Every 40 operating hours				
			Every 30 operating hours			
				Every 20 operating hours		
					Every 10 operating hours	
						Once after 1 operating hour
Check all hoses (e.g. fuel, cooling, bleeder, drainage, etc.) and sleeves for cracking, leaks, and incorrect routing. 🛠️	○	●	●	●	●	●
Check the antifreeze and coolant level. (📖 p. 104)	○	●	●	●	●	●
Check the cables for damage and for routing without kinks. 🛠️		●	●	●	●	●
Check that the throttle cables are undamaged, routed without sharp bends, and set correctly. 🛠️	○	●	●	●	●	●
Clean the air filter and air filter box. 🛠️ (📖 p. 66)		●	●	●	●	●
Change the glass fiber yarn filling of the main silencer. 🛠️ (📖 p. 68)			●		●	
Service the fork. 🛠️						●
Perform the shock absorber service. 🛠️						●
Check the screws and nuts for tightness. 🛠️	○	●	●	●	●	●
Change the fuel screen. 🛠️ (📖 p. 114)	○	●	●	●	●	●
Check the fuel pressure. 🛠️		●	●	●	●	●
Check idle. 🛠️	○	●	●	●	●	●
Final check: Check the vehicle for operating safety and take a test ride. 🛠️	○	●	●	●	●	●
Read out the fault memory using the KTM diagnostics tool after a test ride. 🛠️	○	●	●	●	●	●
Make the service entry in the KTM Dealer.net and in the Service and Warranty Booklet. 🛠️	○	●	●	●	●	●

- One-time interval
- Periodic interval

9.3 Recommended work

				Annually
		Every 100 operating hours		
			Every 50 operating hours	
				Once after 20 operating hours
				Once after 10 operating hours
Change the front brake fluid. 🛠️				●
Change the rear brake fluid. 🛠️				●
Change the hydraulic clutch fluid. 🛠️ (📖 p. 81)				●
Lubricate the steering head bearing. 🛠️ (📖 p. 58)				●
Service the fork. 🛠️		○		
Perform the shock absorber service. 🛠️			○	
Change the fuel filter. 🛠️				●
Perform minor engine service, engine has been installed. (Change the spark plug and spark plug connector. Change the piston, check and measure the cylinder; check the cylinder head. Check the camshaft, rocker arm and rocker arm shafts. Check timing assembly.) 🛠️			●	●

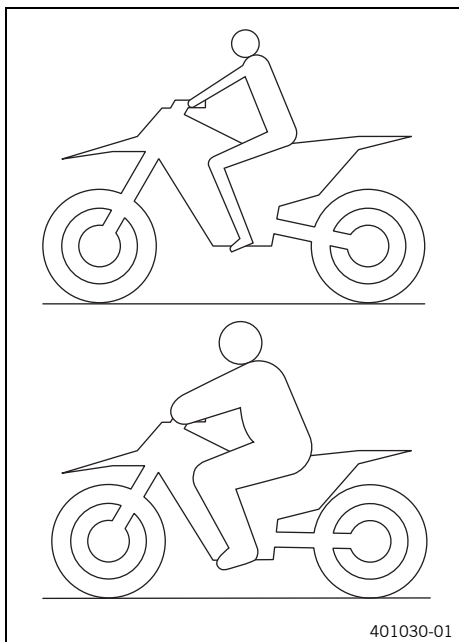
	Annually
	Every 100 operating hours
	Every 50 operating hours
	Once after 20 operating hours
	Once after 10 operating hours
Perform major engine service including removing and installing engine. (Change valves, valve springs, valve spring seats and valve spring retainers. Change the connecting rod, conrod bearing, and crank pin. Check the transmission and shift mechanism. Check the oil pressure regulator valve. Change the suction pump. Check the force pump and lubrication system. Change timing chain. Change all engine bearings. Change the shaft seal rings and bearing seals of the main bearing.) 	•

- One-time interval
- Periodic interval

10.1 Checking the basic chassis setting with the rider's weight

i Info

When adjusting the basic chassis setting, first adjust the shock absorber and then the fork.



- For optimal motorcycle riding characteristics and to avoid damage to forks, shock absorbers, swingarm and frame, the basic settings of the suspension components must match the rider's weight.
- As delivered, KTM offroad motorcycles are adjusted for an average rider's weight (with full protective clothing).

Guideline

Standard rider weight	75 ... 85 kg (165 ... 187 lb.)
-----------------------	--------------------------------

- If the rider's weight is above or below this range, the basic setting of the suspension components must be adjusted accordingly.
- Small weight differences can be compensated by adjusting the spring pretension of the shock absorber, but in the case of large weight differences, the springs must be replaced.

10.2 Air suspension AER 48



Air suspension **WP Suspension AER 48** is used in the fork. In this system, suspension is located in the left fork leg and damping in the right fork leg.

As fork springs are no longer required, a significant weight advantage is achieved when compared to conventional forks. The response on slightly uneven surfaces is significantly improved. In normal driving mode, suspension is provided exclusively by an air cushion. A steel spring is located in the left fork leg as an end stop.

i Info

If the fork is frequently overloaded, then the air pressure in the fork must be increased to avoid damage to the fork and frame.

The air pressure in the fork can be quickly adjusted to the rider's weight, surface conditions and the rider's preference using a fork airpump. The fork does not have to be dismantled. The time-consuming mounting of harder or softer fork springs is not required. If the air chamber loses air due to a damaged seal, the fork will still not sag. In this case the air is retained in the fork. The suspension travel is maintained as far as possible. The damping becomes harder and the riding comfort reduces. As with a conventional fork, the damping can be adjusted in rebound and compression stages. The rebound adjuster is located at the lower end of the right fork leg.

The compression adjuster is located at the upper end of the right fork leg.

10.3 Compression damping of the shock absorber

The compression damping of the shock absorber is divided into two ranges: high-speed and low-speed. High-speed and low-speed refer to the compression speed of the rear wheel suspension and not to the vehicle speed.

The high-speed setting, for example, has an effect on the landing after a jump: the rear wheel suspension compresses quickly.

The low-speed setting, for example, has an effect when riding over long ground swells: the rear wheel suspension compresses slowly.

These two ranges can be adjusted separately, although the transition between high-speed and low-speed is gradual. Thus, changes in the high-speed range affect the compression damping in the low-speed range and vice versa.

10.4 Adjusting the low-speed compression damping of the shock absorber



Caution

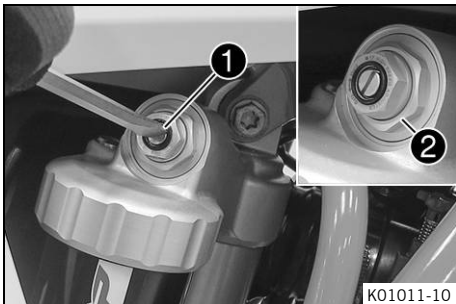
Risk of injury Parts of the shock absorber will move around if the shock absorber is detached incorrectly. The shock absorber is filled with highly compressed nitrogen.

- Please follow the description provided. (Your authorized KTM workshop will be glad to help.)



Info

The effect of the low-speed setting can be seen in slow to normal compression of the shock absorber.



- Turn adjusting screw **1** clockwise with a screwdriver as far as the last perceptible click.



Info

Do not loosen fitting **2**!

- Turn counterclockwise by the number of clicks corresponding to the shock absorber type.

Guideline

Compression damping, low-speed (SX-F EU)	
Comfort	17 clicks
Standard	15 clicks
Sport	13 clicks
Compression damping, low-speed (SX-F US)	
Comfort	17 clicks
Standard	15 clicks
Sport	13 clicks
Compression damping, low-speed (XC-F US)	
Comfort	17 clicks
Standard	15 clicks
Sport	13 clicks

i Info
Turn clockwise to increase damping; turn counterclockwise to reduce damping.

10.5 Adjusting the high-speed compression damping of the shock absorber



Caution

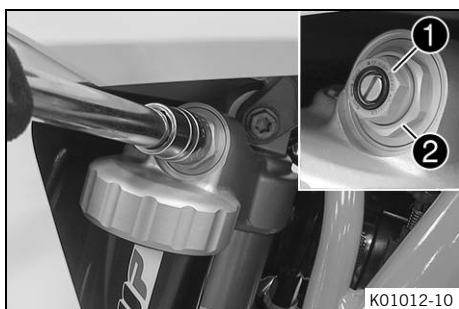
Risk of injury Parts of the shock absorber will move around if the shock absorber is detached incorrectly. The shock absorber is filled with highly compressed nitrogen.

- Please follow the description provided. (Your authorized KTM workshop will be glad to help.)



Info

The effect of the high-speed setting can be seen in fast compression of the shock absorber.



- Turn adjusting screw **1** all the way clockwise with a socket wrench.



Info

Do not loosen fitting **2**!

- Turn counterclockwise by the number of turns corresponding to the shock absorber type.

Guideline

Compression damping, high-speed (SX-F EU)	
Comfort	2 turns
Standard	1.5 turns
Sport	1 turn
Compression damping, high-speed (SX-F US)	
Comfort	2.5 turns
Standard	2 turns
Sport	1.5 turns
Compression damping, high-speed (XC-F US)	
Comfort	2.5 turns
Standard	2 turns
Sport	1.5 turns



Info

Turn clockwise to increase damping; turn counterclockwise to reduce damping.

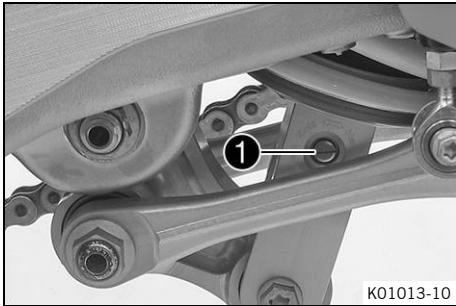
10.6 Adjusting the rebound damping of the shock absorber



Caution

Risk of injury Parts of the shock absorber will move around if the shock absorber is detached incorrectly. The shock absorber is filled with highly compressed nitrogen.

- Please follow the description provided. (Your authorized KTM workshop will be glad to help.)



- Turn adjusting screw ❶ clockwise up to the last perceptible click.
- Turn counterclockwise by the number of clicks corresponding to the shock absorber type.

Guideline

Rebound damping (SX-F EU)	
Comfort	17 clicks
Standard	15 clicks
Sport	13 clicks
Rebound damping (SX-F US)	
Comfort	17 clicks
Standard	15 clicks
Sport	13 clicks
Rebound damping (XC-F US)	
Comfort	17 clicks
Standard	15 clicks
Sport	13 clicks



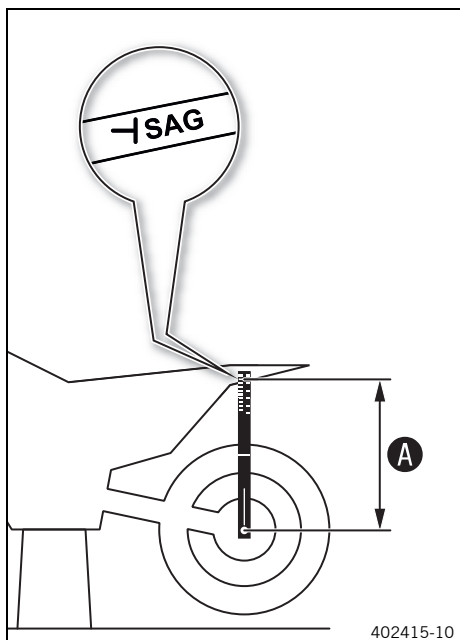
Info

Turn clockwise to increase damping; turn counterclockwise to reduce damping.

10.7 Measuring rear wheel sag unloaded

Preparatory work

- Raise the motorcycle with a lift stand. (📖 p. 50)



Main work

- Position the sag gauge in the rear axle and measure the distance to marking **SAG** on the rear fender.

Sag gauge (00029090000)

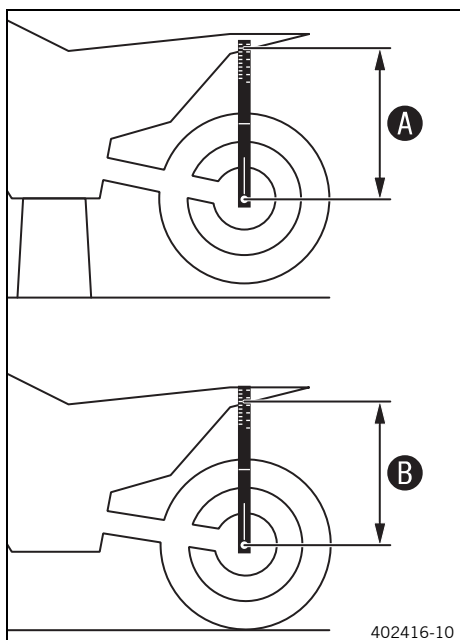
Pin for sag gauge (00029990010)

- Note down the value as dimension **A**.

Finishing work

- Remove the motorcycle from the lift stand. (📖 p. 50)

10.8 Checking the static sag of the shock absorber



- Measure distance **A** of rear wheel unloaded. (📖 p. 41)
- Hold the motorcycle upright with the aid of an assistant.
- Again measure the distance between the rear axle and marking **SAG** on the rear fender using the sag gauge.
- Note down the value as dimension **B**.

Info

The static sag is the difference between measurements **A** and **B**.

- Check the static sag.

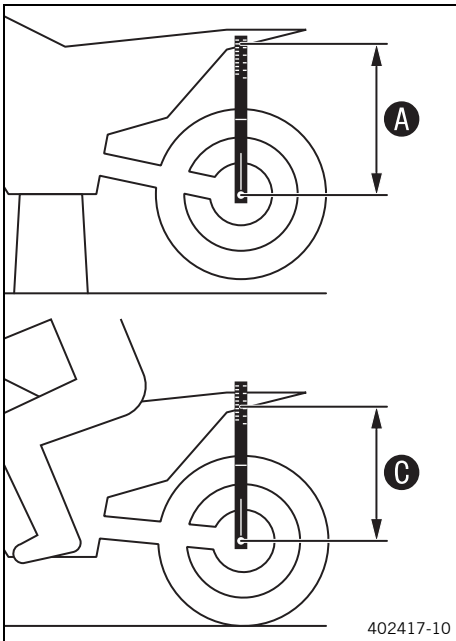
Static sag (SX-F EU)	35 mm (1.38 in)
----------------------	-----------------

Static sag (SX-F US)	35 mm (1.38 in)
----------------------	-----------------

Static sag (XC-F US)	35 mm (1.38 in)
----------------------	-----------------

- » If the static sag is less or more than the specified value:
 - Adjust the spring preload of the shock absorber. (📖 p. 43)

10.9 Checking the riding sag of the shock absorber



- Measure distance **A** of rear wheel unloaded. (📖 p. 41)
- With another person holding the motorcycle, the rider, wearing full protective clothing, sits on the seat in a normal sitting position (feet on footrests) and bounces up and down a few times.
 - ✓ The rear wheel suspension levels out.
- Another person again measures the distance between the rear axle and marking **SAG** on the rear fender using the sag gauge.
- Note down the value as dimension **C**.

i Info
The riding sag is the difference between measurements **A** and **C**.

- Check the riding sag.

Riding sag (SX-F EU)	105 mm (4.13 in)
Riding sag (SX-F US)	105 mm (4.13 in)
Riding sag (XC-F US)	105 mm (4.13 in)

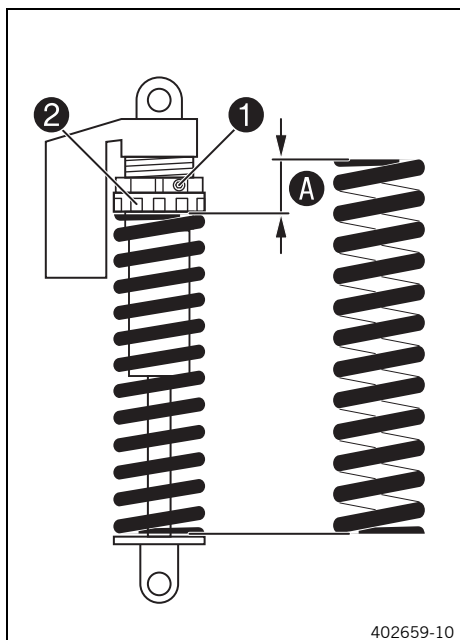
- » If the riding sag differs from the specified measurement:
 - Adjust the riding sag. 🛠️ (📖 p. 44)

10.10 Adjusting the spring preload of the shock absorber 🛠️

⚠️ Caution
Risk of injury Parts of the shock absorber will move around if the shock absorber is detached incorrectly. The shock absorber is filled with highly compressed nitrogen.
- Please follow the description provided. (Your authorized KTM workshop will be glad to help.)

i Info
Note the current adjustment before changing the spring preload —e.g. measure the spring length.

- Preparatory work**
- Raise the motorcycle with a lift stand. (📖 p. 50)
 - Remove the shock absorber. 🛠️ (📖 p. 60)
 - After removing the shock absorber, clean it thoroughly.



Main work

- Loosen screw ①.
- Turn adjusting ring ② until the spring is no longer under tension.

Holding wrench (90129051000)

- Measure the overall spring length while the spring is not under tension.
- Tighten the spring by turning adjusting ring ② to measurement A.

Guideline

Spring preload (SX-F EU)	8 mm (0.31 in)
Spring preload (SX-F US)	7 mm (0.28 in)
Spring preload (XC-F US)	8 mm (0.31 in)



Info

Depending on the static sag and/or the riding sag, it may be necessary to increase or decrease the spring preload.

- Tighten screw ①.

Guideline

Screw, shock absorber adjusting ring	M5	5 Nm (3.7 lbf ft)
--------------------------------------	----	-------------------

Finishing work

- Install the shock absorber. (🔧 p. 61)
- Check the free travel of the foot brake lever. (🔧 p. 88)
- Remove the motorcycle from the lift stand. (🔧 p. 50)

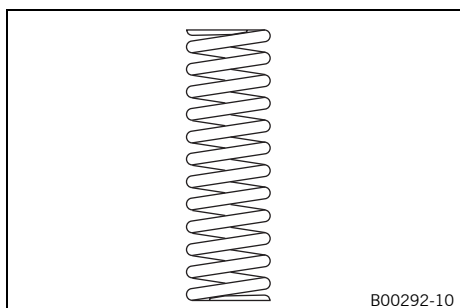
10.11 Adjusting the riding sag 🛠️

Preparatory work

- Raise the motorcycle with a lift stand. (🔧 p. 50)
- Remove the shock absorber. 🛠️ (🔧 p. 60)
- After removing the shock absorber, clean it thoroughly.

Main work

- Choose and mount a suitable spring.



Guideline

Spring rate (SX-F EU)	
Weight of rider: 65 ... 75 kg (143 ... 165 lb.)	39 N/mm (223 lb/in)
Weight of rider: 75 ... 85 kg (165 ... 187 lb.)	42 N/mm (240 lb/in)
Weight of rider: 85 ... 95 kg (187 ... 209 lb.)	45 N/mm (257 lb/in)
Spring rate (SX-F US)	
Weight of rider: 65 ... 75 kg (143 ... 165 lb.)	42 N/mm (240 lb/in)
Weight of rider: 75 ... 85 kg (165 ... 187 lb.)	45 N/mm (257 lb/in)
Weight of rider: 85 ... 95 kg (187 ... 209 lb.)	48 N/mm (274 lb/in)
Spring rate (XC-F US)	
Weight of rider: 65 ... 75 kg (143 ... 165 lb.)	42 N/mm (240 lb/in)
Weight of rider: 75 ... 85 kg (165 ... 187 lb.)	45 N/mm (257 lb/in)
Weight of rider: 85 ... 95 kg (187 ... 209 lb.)	48 N/mm (274 lb/in)

i Info
The spring rate is shown on the outside of the spring.

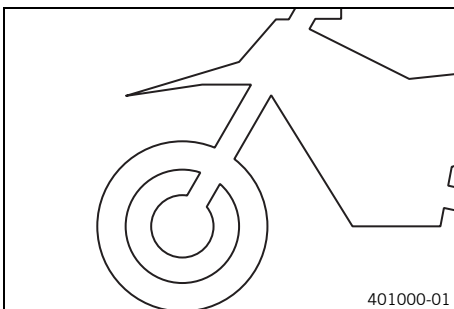
Finishing work

- Install the shock absorber. (📖 p. 61)
- Check the free travel of the foot brake lever. (📖 p. 88)
- Check the static sag of the shock absorber. (📖 p. 42)
- Check the riding sag of the shock absorber. (📖 p. 43)
- Adjust the rebound damping of the shock absorber. (📖 p. 41)
- Remove the motorcycle from the lift stand. (📖 p. 50)



10.12 Checking the basic setting of the fork

i Info
For various reasons, no exact riding sag can be determined for the fork.



- Smaller differences in the rider's weight can be compensated for by the fork air pressure.
- However, if the fork frequently bottoms out (hard end stop on compression), the fork air pressure must be increased, within the specified values, to avoid damage to the fork and frame.
- If the fork feels unusually hard after extended periods of operation, the fork legs need to be bled.



10.13 Adjusting the fork air pressure



Warning

Danger of accident Modifications to the suspension setting may seriously alter the handling characteristic.

Extreme modifications to the suspension setting may cause a serious deterioration in the handling characteristic and overload components.

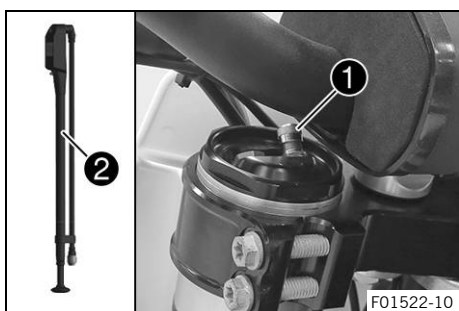
- Only make adjustments within the recommended range.
- Ride slowly to start with after making adjustments to get the feel of the new handling characteristic.



Info

Check or adjust the air pressure under the same conditions at the earliest 5 minutes after switching off the engine.

The air suspension is located in the left fork leg. The pressure and rebound damping is located in the right fork leg.



Preparatory work

- Raise the motorcycle with a lift stand. (📖 p. 50)

Main work

- Remove protection cap ①.
- Push together fork airpump ② fully.

Fork airpump (79412966000)



Info

The fork airpump is included as part of the motorcycle's accessory pack.

- Connect the fork airpump to the left fork leg.
 - ✓ The fork airpump indicator switches on automatically.
 - ✓ A little air escapes from the fork leg when connecting.



Info

This is due to the volume of the hose and not due to a defect in the fork airpump or the fork.
Read the accompanying **KTM PowerParts** instructions.

- Adjust the air pressure as specified.

Guideline

Air pressure (SX-F EU)	10.7 bar (155 psi)
Air pressure (SX-F US)	10.5 bar (152 psi)
Air pressure (XC-F US)	10.1 bar (146 psi)
Changing of the air pressure in steps of	0.2 bar (3 psi)
Minimum air pressure	7 bar (102 psi)
Maximum air pressure	12 bar (174 psi)



Info

Never adjust the air pressure to a value outside the stated range.

- Disconnect the fork airpump from the left fork leg.
 - ✓ When disconnecting, excess pressure will escape from the hose – the fork leg itself does not lose any air.
 - ✓ The fork airpump indicator switches off automatically after 80 seconds.
- Mount protection cap.

Finishing work

- Remove the motorcycle from the lift stand. (📖 p. 50)



10.14 Adjusting the compression damping of the fork

i Info
The hydraulic compression damping determines the fork suspension behavior.



- Turn adjusting screw **1** clockwise all the way.

i Info
Adjusting screw **1** is located at the upper end of the right fork leg.

- Turn counterclockwise by the number of clicks corresponding to the fork type.

Guideline

Compression damping (SX-F EU)	
Comfort	17 clicks
Standard	12 clicks
Sport	7 clicks
Compression damping (SX-F US)	
Comfort	20 clicks
Standard	15 clicks
Sport	10 clicks
Compression damping (XC-F US)	
Comfort	17 clicks
Standard	12 clicks
Sport	7 clicks

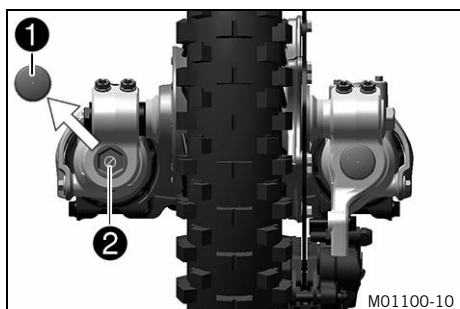
i Info
Turn clockwise to increase damping; turn counterclockwise to reduce damping.



10.15 Adjusting the rebound damping of the fork

i Info

The hydraulic rebound damping determines the fork suspension behavior.



- Remove protection cap ①.
- Turn adjusting screw ② clockwise all the way.

i Info

Adjusting screw ② is located at the lower end of the right fork leg.

- Turn counterclockwise by the number of clicks corresponding to the fork type.

Guideline

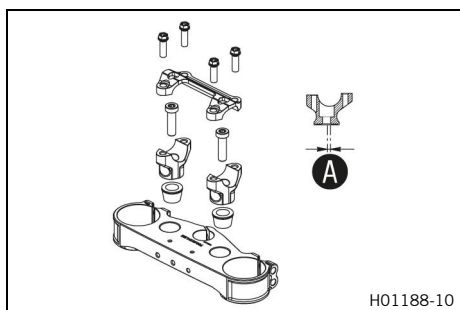
Rebound damping (SX-F EU)	
Comfort	17 clicks
Standard	12 clicks
Sport	7 clicks
Rebound damping (SX-F US)	
Comfort	20 clicks
Standard	15 clicks
Sport	10 clicks
Rebound damping (XC-F US)	
Comfort	17 clicks
Standard	12 clicks
Sport	7 clicks

i Info

Turn clockwise to increase damping; turn counterclockwise to reduce damping.

- Mount protection cap ①.

10.16 Handlebar position



The holes on the handlebar supports are placed at a distance of **A** from the center.

Hole distance A	3.5 mm (0.138 in)
-----------------	-------------------

The handlebar can be mounted in 2 different positions. In this way, the handlebar can be mounted in the most comfortable position for the rider.

10.17 Adjusting the handlebar position ↩

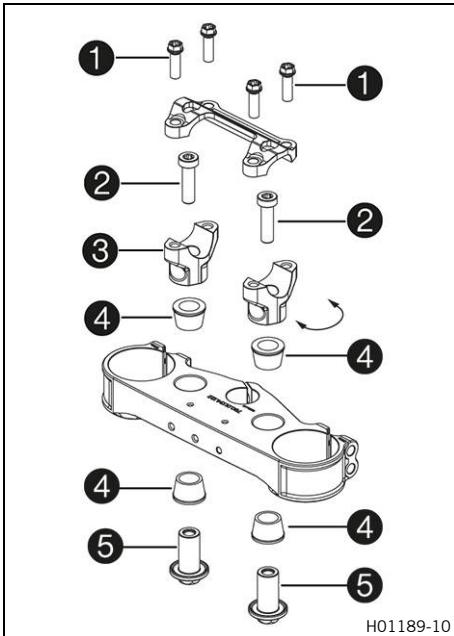


Warning

Danger of accidents A repaired handlebar poses a safety risk.

If the handlebar is bent or straightened, the material becomes fatigued. The handlebar may break as a result.

- Change the handlebar if the handlebar is damaged or bent.



Preparatory work

- Remove the handlebar cushion.

Main work

- Remove screws ①. Take off the handlebar clamp. Remove the handlebar and lay it to one side.



Info

Cover the components to protect them against damage. Do not kink the cables and lines.

- Remove screws ②. Take off handlebar supports ③.
- Position rubber bushings ④ and push through nuts ⑤ from below.
- Place the handlebar supports in the required position.



Info

The handlebar supports are longer and higher on one side. Position the left and right handlebar supports evenly.

- Mount and tighten screws ②.

Guideline

Screw, handlebar support	M10	40 Nm (29.5 lbf ft) Loctite®243™
--------------------------	-----	--

- Position the handlebar.



Info

Make sure the cables and wiring are positioned correctly.

- Position the handlebar clamp.
- Mount screws ① but do not tighten yet.
- First bolt the handlebar clamp with screws ① onto the longer, higher side of the handlebar supports so that both parts touch.
- Tighten screws ① evenly.

Guideline

Screw, handlebar clamp	M8	20 Nm (14.8 lbf ft)
------------------------	----	---------------------

Finishing work

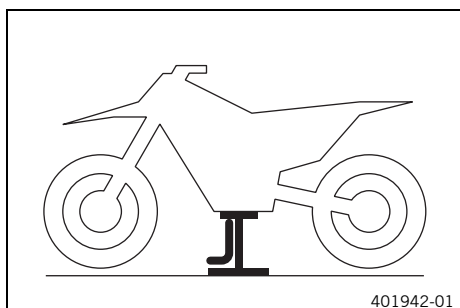
- Mount the handlebar cushion.

11.1 Raising the motorcycle with a lift stand

Note

Material damage The vehicle may be damaged by incorrect procedure when parking. Significant damage may be caused if the vehicle rolls away or falls over. The components for parking the vehicle are designed only for the weight of the vehicle.

- Park the vehicle on a firm and level surface.
- Ensure that nobody sits on the vehicle when the vehicle is parked on a stand.



- Raise the motorcycle at the frame underneath the engine.

Lift stand (78129955100)

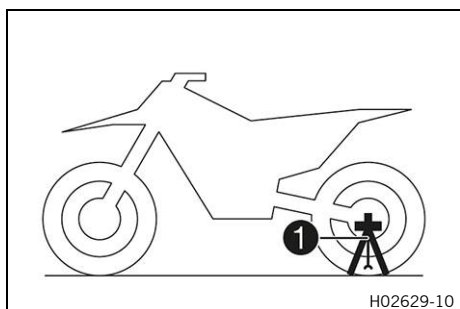
- ✓ Neither wheel is in contact with the ground.
- Secure the motorcycle against falling over.

11.2 Removing the motorcycle from the lift stand

Note

Material damage The vehicle may be damaged by incorrect procedure when parking. Significant damage may be caused if the vehicle rolls away or falls over. The components for parking the vehicle are designed only for the weight of the vehicle.

- Park the vehicle on a firm and level surface.
- Ensure that nobody sits on the vehicle when the vehicle is parked on a stand.



(All SX-F models)

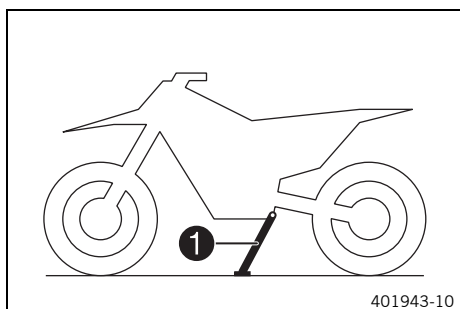
- Remove the motorcycle from the lift stand.
- Remove the lift stand.
- To park the motorcycle, insert plug-in stand ❶ into the left side of the wheel spindle.

Plug-in stand (79029094000)



Info

The plug-in stand is included. Remove the plug-in stand before riding.



(XC-F US)

- Remove the motorcycle from the lift stand.
- Remove the lift stand.
- To park the motorcycle, press side stand ❶ to the ground with your foot and lean the motorcycle on it.



Info

While riding, the side stand must be folded up and secured with the rubber band.

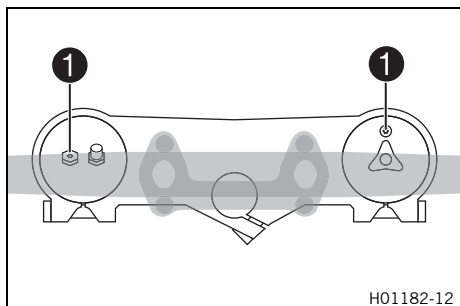
11.3 Bleeding the fork legs

Preparatory work

- Raise the motorcycle with a lift stand. (📖 p. 50)

Main work

- Release bleeder screws ❶.
- ✓ Any excess pressure escapes from the interior of the fork.
- Tighten the bleeder screws.



Finishing work

- Remove the motorcycle from the lift stand. (📖 p. 50)



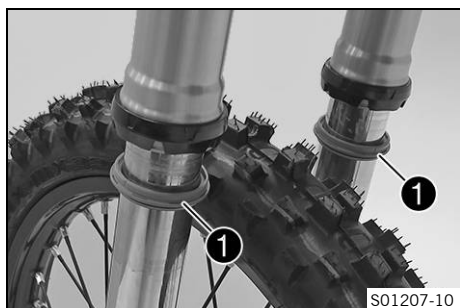
11.4 Cleaning the dust boots of the fork legs

Preparatory work

- Raise the motorcycle with a lift stand. (📖 p. 50)
- Remove the fork protector. (📖 p. 52)

Main work

- Push dust boots ❶ of both fork legs downward.



Info

The dust boots remove dust and coarse dirt particles from the inside fork tubes. Over time, dirt can accumulate behind the dust boots. If this dirt is not removed, the oil seals behind can start to leak.



Warning

Danger of accidents Oil or grease on the brake discs reduces the braking effect.

- Always keep the brake discs free of oil and grease.
- Clean the brake discs with brake cleaner when necessary.

- Clean and oil the dust boots and inner fork tubes of both fork legs.

Universal oil spray (📖 p. 141)

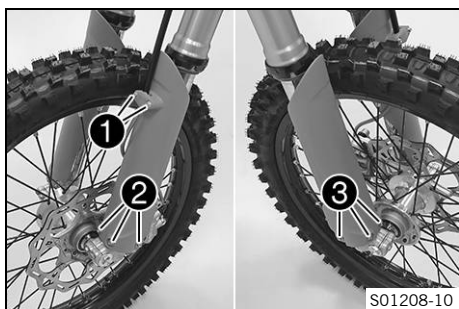
- Press the dust boots back into their installation position.
- Remove excess oil.

Finishing work

- Install the fork protector. (📖 p. 52)
- Remove the motorcycle from the lift stand. (📖 p. 50)

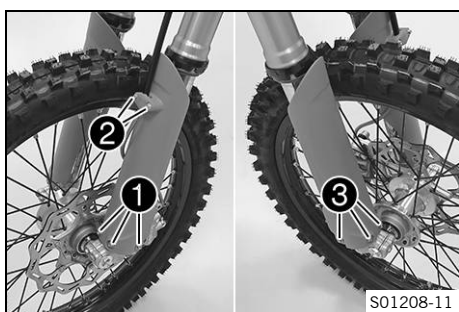


11.5 Removing the fork protector



- Remove screws ① and take off the clamp.
- Remove screws ② and take off the left fork protector.
- Remove screws ③ and take off the right fork protector.

11.6 Installing the fork protector



- Position the fork protection on the left fork leg. Mount and tighten screws ①.

Guideline

Remaining screws, chassis	M6	10 Nm (7.4 lbf ft)
---------------------------	----	--------------------

- Position the brake line and clamp. Mount and tighten screws ②.
- Position the fork protector on the right fork leg. Mount and tighten screws ③.

Guideline

Remaining screws, chassis	M6	10 Nm (7.4 lbf ft)
---------------------------	----	--------------------

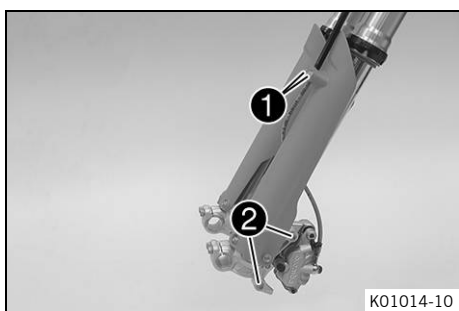
11.7 Removing the fork legs

Preparatory work

- Raise the motorcycle with a lift stand. (📖 p. 50)
- Remove the front wheel. 🛠️ (📖 p. 94)

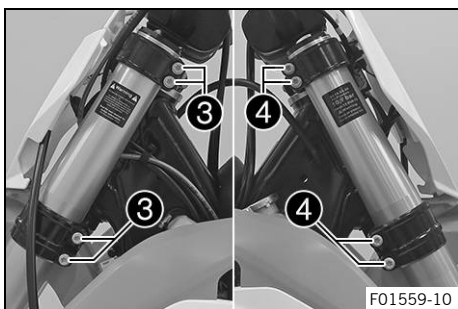
Main work

- Remove screws ① and take off the clamp.
- Remove screws ② and take off the brake caliper.
- Allow the brake caliper and brake line to hang tension-free to the side.



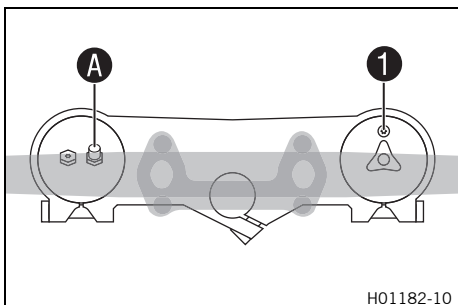
Info

Do not pull the hand brake lever if the front wheel has been removed.



- Loosen screws ③. Take out the left fork leg.
- Unscrew screws ④. Take out the right fork leg.

11.8 Installing the fork legs

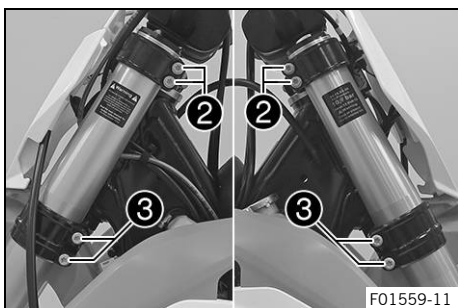


Main work

- Position the fork legs.
 - ✓ Air release screw ① of the right fork leg is positioned to the front.
 - ✓ Valve A of the left fork leg faces the front.

Info

Grooves are milled into the side of the upper end of the fork legs. The second milled groove (from the top) must be flush with the top edge of the upper triple clamp. The air suspension is located in the left fork leg. The pressure and rebound damping is located in the right fork leg.



- Tighten screws ②.

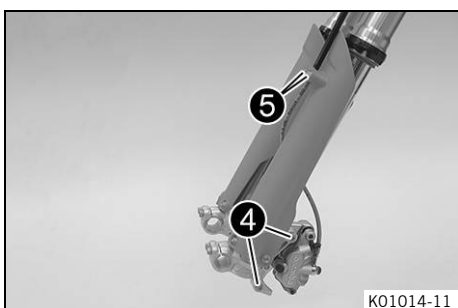
Guideline

Screw, top triple clamp	M8	17 Nm (12.5 lbf ft)
-------------------------	----	---------------------

- Tighten screws ③.

Guideline

Screw, bottom triple clamp	M8	12 Nm (8.9 lbf ft)
----------------------------	----	--------------------



- Position the brake caliper. Mount and tighten screws ④.

Guideline

Screw, front brake caliper	M8	25 Nm (18.4 lbf ft) Loctite®243™
----------------------------	----	--

- Position the brake line and clamp. Mount and tighten screws ⑤.

Finishing work

- Install the front wheel. (p. 95)

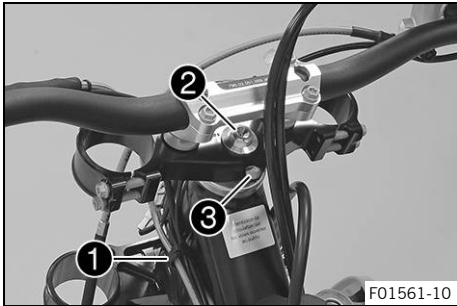
11.9 Removing the lower triple clamp

Preparatory work

- Raise the motorcycle with a lift stand. (p. 50)
- Remove the front wheel. (p. 94)
- Remove the fork legs. (p. 52)
- Remove the start number plate. (p. 59)
- Remove front fender. (p. 59)
- Remove the handlebar cushion.

Main work

- Remove indicator lamp holder.
- Open cable holder **1** on the left and detach the wiring harness.
- Remove screw **2**.
- Remove screw **3**.
- Take off the upper triple clamp with the handlebar and place to one side.



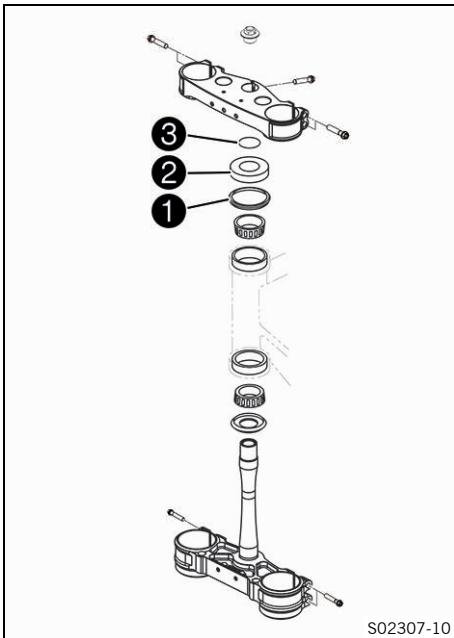
Info

Cover the components to protect them against damage. Do not kink the cables and lines.

- Remove O-ring **4**.
- Remove protective ring **5**.
- Remove the lower triple clamp with the steering stem.
- Remove the upper steering head bearing.



11.10 Installing the lower triple clamp

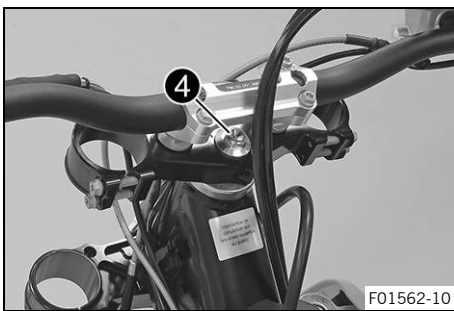


Main work

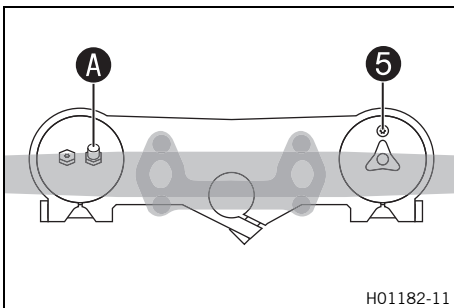
- Clean the bearing and sealing elements, check for damage, and grease.

High viscosity grease (📖 p. 140)

- Insert the lower triple clamp with the steering stem. Mount the upper steering head bearing.
- Check whether upper steering head seal ① is correctly positioned.
- Slide on protective ring ② and O-ring ③.



- Position the upper triple clamp with the handlebar.
- Mount screw ④ but do not tighten yet.

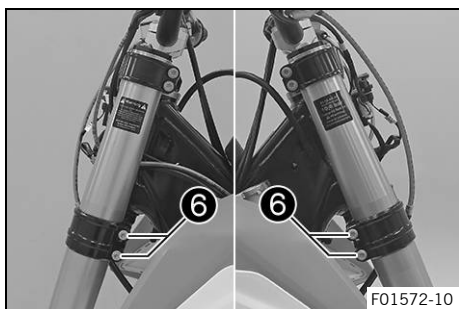


- Position the fork legs.
 - ✓ Air bleeder screw ⑤ of the right fork leg is positioned to the front.
 - ✓ Valve A of the left fork leg faces the front.

Info

Grooves are milled into the side of the upper end of the fork legs. The second milled groove (from the top) must be flush with the upper edge of the upper triple clamp. The air suspension is located in the left fork leg. The pressure and rebound damping is located in the right fork leg.

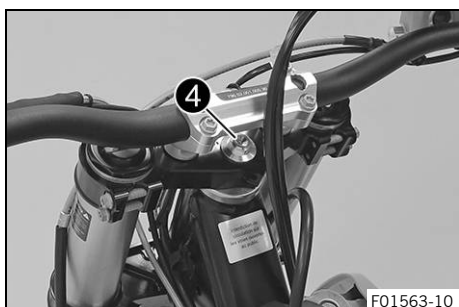
11 SERVICE WORK ON THE CHASSIS



- Tighten screws 6.

Guideline

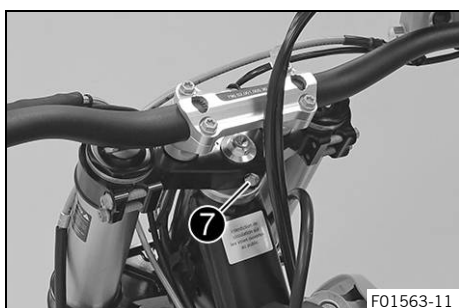
Screw, bottom triple clamp	M8	12 Nm (8.9 lbf ft)
----------------------------	----	--------------------



- Tighten screw 4.

Guideline

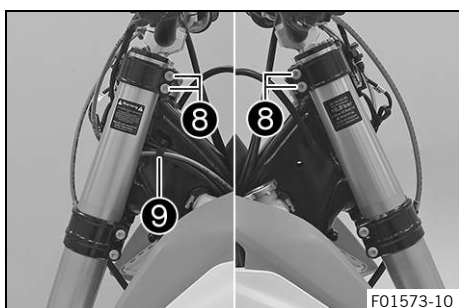
Screw, top steering head	M20x1.5	12 Nm (8.9 lbf ft)
--------------------------	---------	--------------------



- Mount and tighten screw 7.

Guideline

Screw, top steering stem	M8	20 Nm (14.8 lbf ft) Loctite®243™
--------------------------	----	--



- Using a plastic hammer, tap lightly on the upper triple clamp to avoid stresses.

- Tighten screws 8.

Guideline

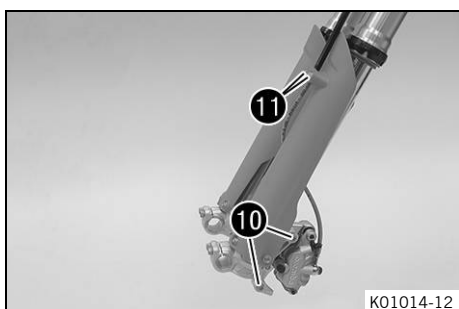
Screw, top triple clamp	M8	17 Nm (12.5 lbf ft)
-------------------------	----	---------------------

- Secure the wiring harness with cable holder 9 on the left.

- Mount indicator lamp holder.

Guideline

Remaining screws, chassis	M6	10 Nm (7.4 lbf ft)
---------------------------	----	--------------------



- Position the brake caliper. Mount and tighten screws 10.

Guideline

Screw, front brake caliper	M8	25 Nm (18.4 lbf ft) Loctite®243™
----------------------------	----	--

- Position the brake line and the clamp. Mount and tighten screws 11.

Finishing work

- Install front fender. (📖 p. 60)
- Mount the handlebar cushion.
- Install the start number plate. (📖 p. 59)
- Install the front wheel. 🛠️ (📖 p. 95)
- Check that the wiring harness, throttle cables, and brake and clutch lines can move freely and are routed correctly.
- Check the steering head bearing play. (📖 p. 57)
- Remove the motorcycle from the lift stand. (📖 p. 50)

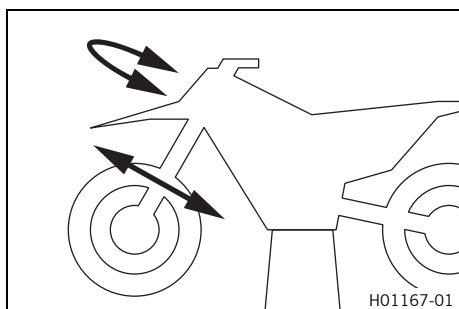
**11.11 Checking the steering head bearing play****Warning**

Danger of accidents Incorrect steering head bearing play impairs the handling characteristic and damages components.

- Correct incorrect steering head bearing play immediately. (Your authorized KTM workshop will be glad to help.)

**Info**

If the bike is ridden with play in the steering head bearing, the bearing and the bearing seats in the frame can become damaged over time.

**Preparatory work**

- Raise the motorcycle with a lift stand. (📖 p. 50)

Main work

- Move the handlebar to the straight-ahead position. Move the fork legs to and fro in the direction of travel.

No play should be noticeable in the steering head bearing.

- » If there is noticeable play present:
 - Adjust the steering head bearing play. 🛠️ (📖 p. 58)
- Move the handlebar to and fro over the entire steering range.

The handlebar must be able to move easily over the entire steering range. No resting locations should be noticeable.

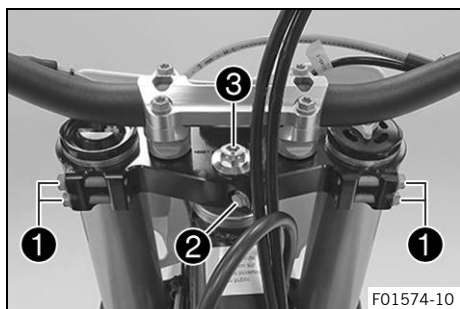
- » If click positions are noticeable:
 - Adjust the steering head bearing play. 🛠️ (📖 p. 58)
 - Check the steering head bearing and change if necessary.

Finishing work

- Remove the motorcycle from the lift stand. (📖 p. 50)



11.12 Adjusting the steering head bearing play



Preparatory work

- Raise the motorcycle with a lift stand. (📖 p. 50)
- Remove the handlebar cushion.

Main work

- Loosen screws ①.
- Remove screw ②.
- Loosen and retighten screw ③.

Guideline

Screw, top steering head	M20x1.5	12 Nm (8.9 lbf ft)
--------------------------	---------	--------------------

- Using a plastic hammer, tap lightly on the upper triple clamp to avoid stresses.

- Mount and tighten screw ②.

Guideline

Screw, top steering stem	M8	20 Nm (14.8 lbf ft) Loctite®243™
--------------------------	----	--

- Tighten screws ①.

Guideline

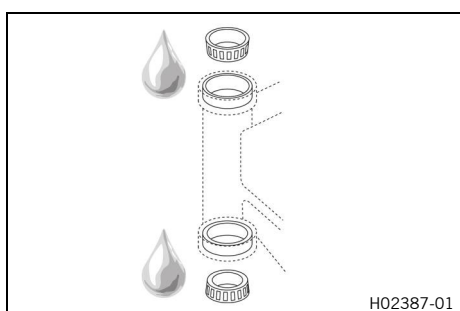
Screw, top triple clamp	M8	17 Nm (12.5 lbf ft)
-------------------------	----	---------------------

- Check the steering head bearing play. (📖 p. 57)

Finishing work

- Mount the handlebar cushion.
- Remove the motorcycle from the lift stand. (📖 p. 50)

11.13 Lubricating the steering head bearing

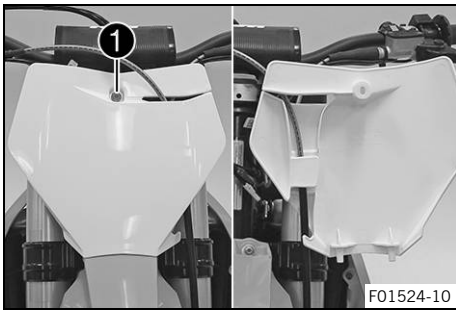


- Remove the lower triple clamp. (📖 p. 54)
- Install the lower triple clamp. (📖 p. 55)

Info

The steering head bearing is cleaned and lubricated in the course of removal and installation of the lower triple clamp.

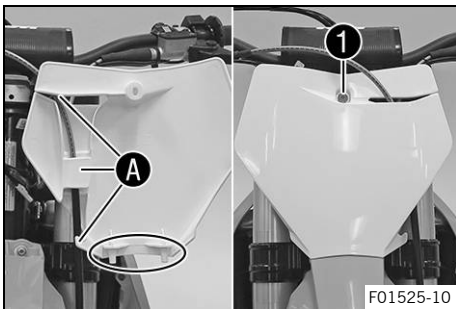
11.14 Removing the start number plate



- Remove screw ①.
- Unhook the start number plate from the brake line and remove it.



11.15 Installing the start number plate



- Position the brake line in holders A on the start number plate.
- Position the start number plate. Mount and tighten screw ①.
- ✓ The holding lugs engage in the fender.



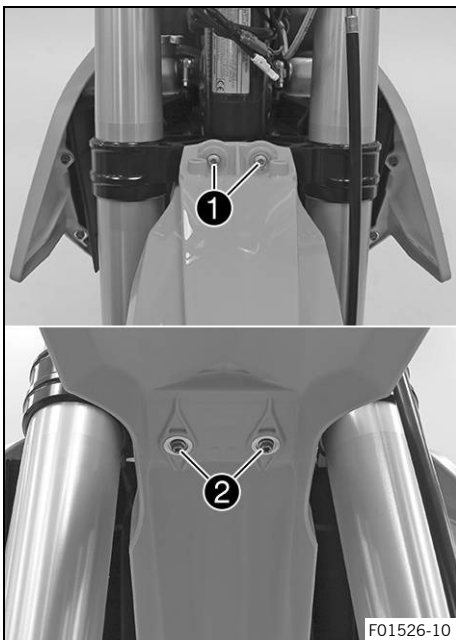
11.16 Removing front fender

Preparatory work

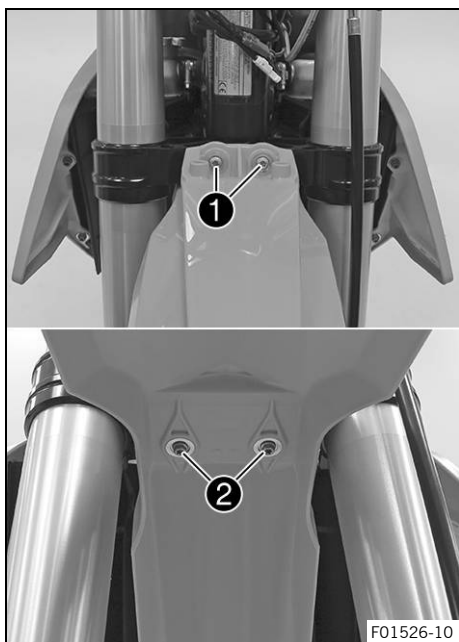
- Remove the start number plate. (📖 p. 59)

Main work

- Remove screws ① and ②. Take off front fender.



11.17 Installing front fender



Main work

- Position front fender. Mount and tighten screws ① and ②.

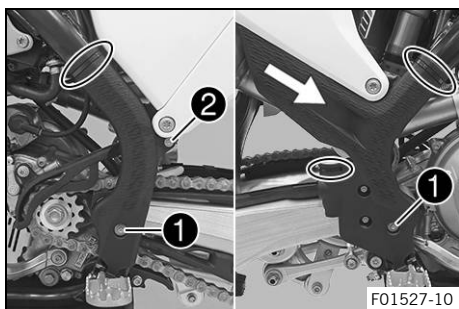
Guideline

Remaining screws, chassis	M6	10 Nm (7.4 lbf ft)
---------------------------	----	--------------------

Finishing work

- Install the start number plate. (📖 p. 59)

11.18 Removing the shock absorber

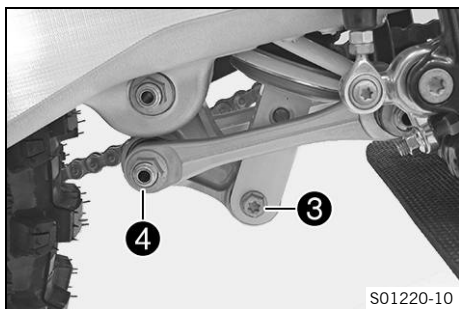


Preparatory work

- Raise the motorcycle with a lift stand. (📖 p. 50)

Main work

- Remove the cable ties.
- Remove screws ① with the washers.
- Remove screw ②.
- Take off the left frame protector.
- Push the right frame protector to the front and take off at the bottom.

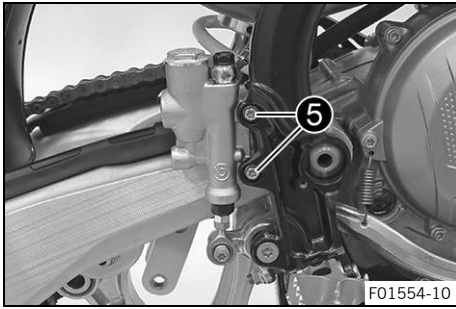


- Remove screw ③.
- Remove fitting ④.

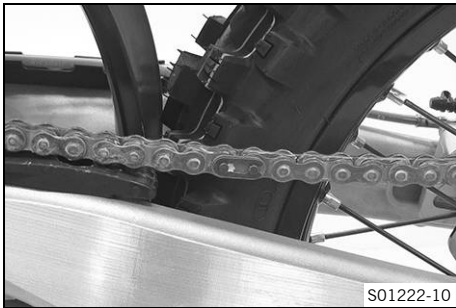


Info

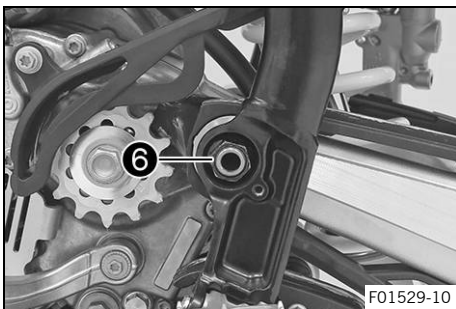
Raise the wheel slightly to be able to remove the screws more easily.



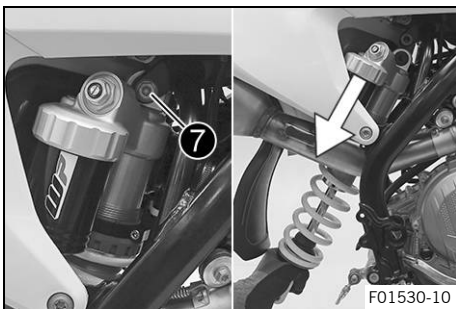
- Remove screws ⑤.
- Pull off foot brake cylinder from the push rod.



- Remove the connecting link of the chain.
- Take off the chain.

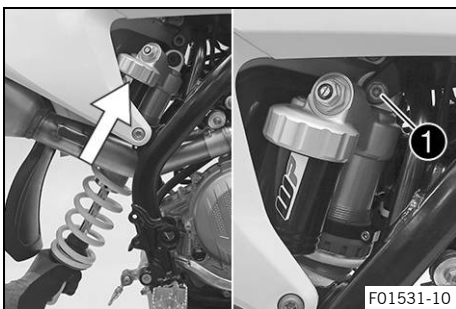


- Remove nut ⑥ and pull out the swingarm pivot.
- Push the swingarm back and secure it against falling over.



- Hold the shock absorber and remove screw ⑦.
- Remove the shock absorber carefully at the bottom.

11.19 Installing the shock absorber

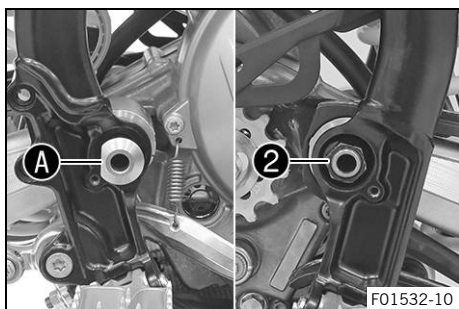


Main work

- Carefully position the shock absorber into the vehicle from the bottom.
- Mount and tighten screw ①.

Guideline

Screw, top shock absorber	M10	60 Nm (44.3 lbf ft) Loctite®2701™
---------------------------	-----	---



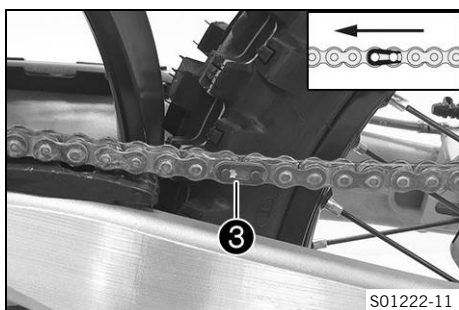
- Position the swingarm and mount the swingarm pivot.

i Info
Pay attention to flat area **A**.

- Mount and tighten nut **2**.

Guideline

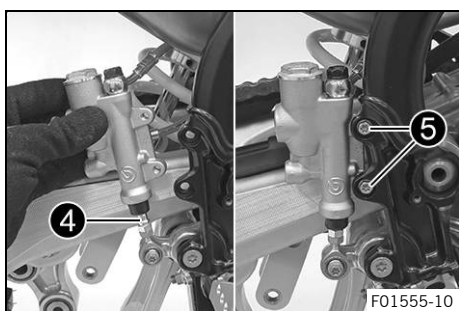
Nut, swingarm pivot	M16x1.5	100 Nm (73.8 lbf ft)
---------------------	---------	-------------------------



- Mount the chain.
- Connect the chain with connecting link **3**.

Guideline

The closed side of the chain joint lock must face in the direction of travel.



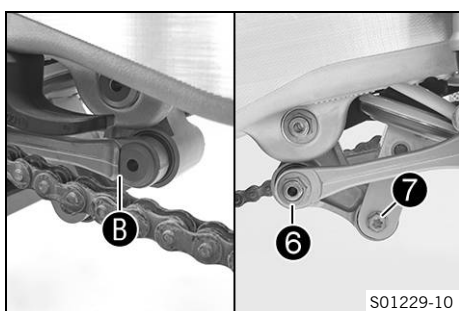
- Position the foot brake cylinder.
- ✓ Push rod **4** engages in foot brake cylinder.

i Info
Ensure that the dust boot is correctly seated.

- Mount and tighten screws **5**.

Guideline

Remaining screws, chassis	M6	10 Nm (7.4 lbf ft)
---------------------------	----	--------------------



- Position the angle lever and linkage lever.
- Mount and tighten fitting **6**.

Guideline

Nut, linkage lever on angle lever	M14x1.5	60 Nm (44.3 lbf ft)
-----------------------------------	---------	---------------------

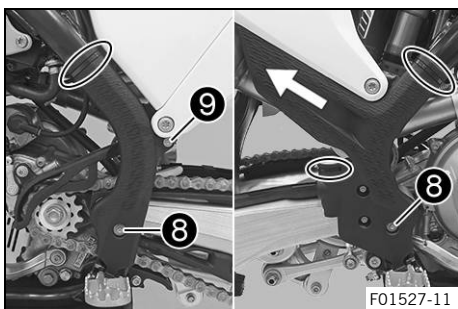
i Info
Pay attention to flat area **B**.

- Mount and tighten screw **7**.

Guideline

Screw, bottom shock absorber	M10	60 Nm (44.3 lbf ft) Loctite®2701™
------------------------------	-----	---

i Info
Raise the wheel slightly to be able to mount the screw more easily.



- Position left frame protector.
- Insert right frame protector from below and push to the rear.
- Mount and tighten screws **8** with the washers.

Guideline

Screw, frame protector	M5	3 Nm (2.2 lbf ft)
------------------------	----	-------------------

- Mount and tighten screw **9**.

Guideline

Screw, frame protector	M5	3 Nm (2.2 lbf ft)
------------------------	----	-------------------

- Mount the new cable ties.

Finishing work

- Check the free travel of the foot brake lever. (📖 p. 88)
- Remove the motorcycle from the lift stand. (📖 p. 50)

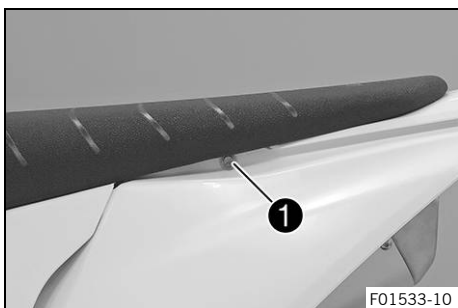
11.20 Removing the seat



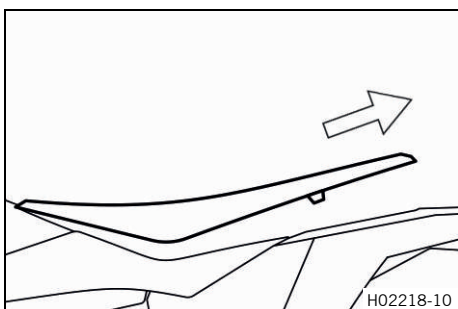
Caution

Danger of burns The voltage regulator gets very hot when the vehicle is driven.

- Allow the voltage regulator to cool down before performing any work.

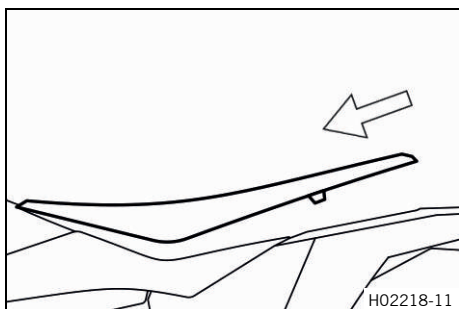


- Remove screw **1**.

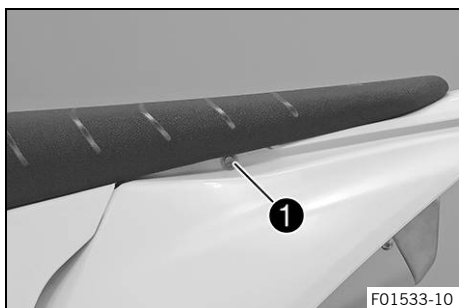


- Raise the rear of the seat, pull the seat back, and lift it off.

11.21 Mounting the seat



- Mount the front of the seat on the collar bushing of the fuel tank, lower the seat at the rear, and push the seat forward.



- Mount and tighten screw ❶.

Guideline

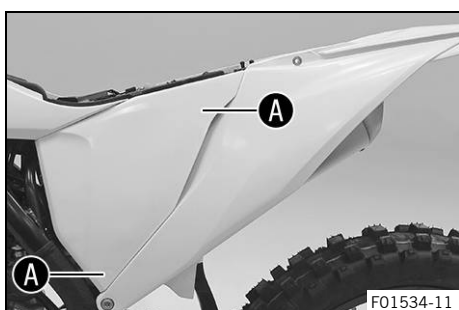
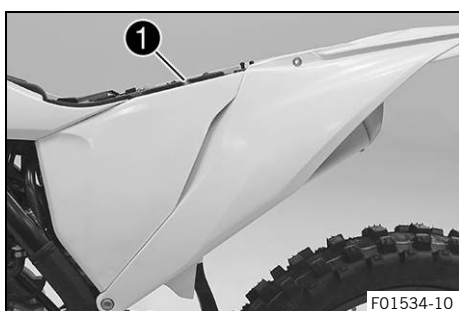
Remaining screws, chassis	M6	10 Nm (7.4 lbf ft)
---------------------------	----	--------------------

11.22 Removing the air filter box cover

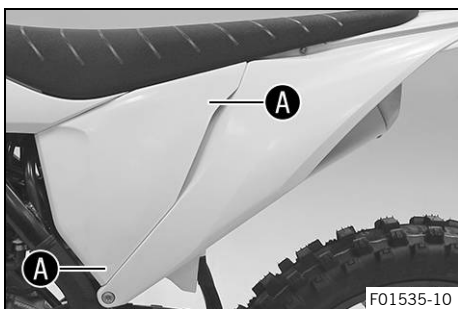
Condition

The air filter box cover is secured.

- Remove the seat. (📖 p. 63)
- Remove screw ❶.



- Pull off the air filter box cover in area A sideways and take off toward the front.

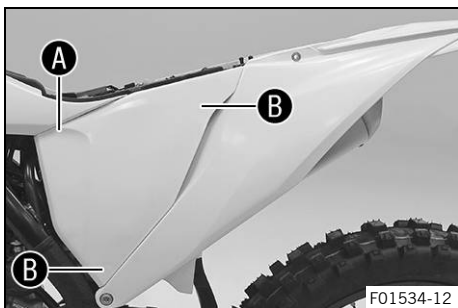


Condition

The air filter box cover is not secured.

- Pull off the air filter box cover in area **A** laterally and take it off at the front.

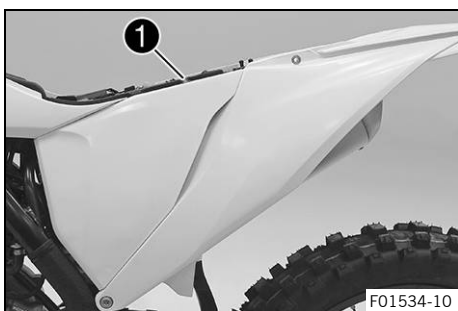
11.23 Installing the air filter box cover



Condition

The air filter box cover is secured.

- Insert the air filter box cover in area **A** and clip it into area **B**.

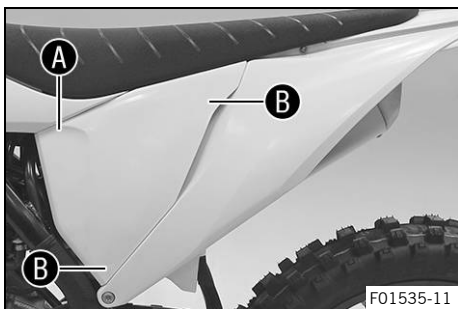


- Mount and tighten screw **1**.

Guideline

Screw, air filter box cover	EJOT PT® K60x20-Z	3 Nm (2.2 lbf ft)
-----------------------------	-----------------------------	-------------------

- Mount the seat. (📖 p. 64)



Condition

The air filter box cover is not secured.

- Insert the air filter box cover in area **A** and clip it into area **B**.

11.24 Removing the air filter

Note

Engine damage Unfiltered intake air has a negative effect on the service life of the engine.

Dust and dirt will enter the engine without an air filter.

- Never start to use the vehicle without an air filter.



Note

Environmental hazard Hazardous substances cause environmental damage.

- Dispose of oils, grease, filters, fuel, cleaning agents, brake fluid, etc., correctly and in compliance with the applicable regulations.



Preparatory work

- Remove the air filter box cover. (📖 p. 64)

Main work

- Detach retaining tab ❶.
- Remove air filter with air filter support.
- Remove air filter from air filter support.

11.25 Cleaning the air filter and air filter box 🗑️



Note

Environmental hazard Hazardous substances cause environmental damage.

- Dispose of oils, grease, filters, fuel, cleaning agents, brake fluid, etc., correctly and in compliance with the applicable regulations.



Info

Do not clean the air filter with fuel or petroleum since these substances attack the foam.

Preparatory work

- Remove the air filter box cover. (📖 p. 64)
- Remove the air filter. 🗑️ (📖 p. 65)

Main work

- Wash the air filter thoroughly in special cleaning liquid and allow it to dry properly.

Air filter cleaner (📖 p. 140)



Info

Only press the air filter to dry it, never wring it out.

- Oil the dry air filter with a high quality filter oil.

Oil for foam air filter (📖 p. 140)

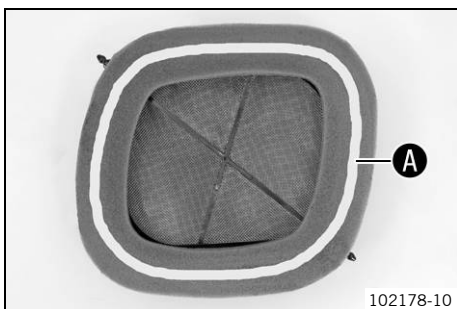
- Clean the air filter box.
- Clean the intake flange and check it for damage and tightness.

Finishing work

- Install the air filter. 🗑️ (📖 p. 67)
- Install the air filter box cover. (📖 p. 65)



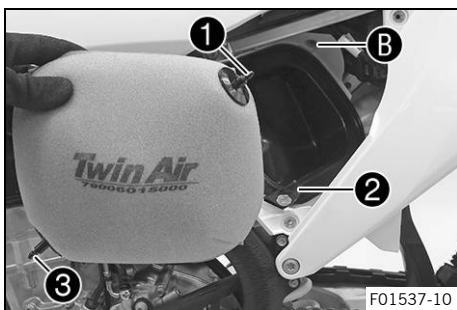
11.26 Installing the air filter



Main work

- Mount the clean air filter on the air filter support.
- Grease the air filter in area **A**.

Long-life grease (🔧 p. 140)



- Insert air filter and position retaining pin **1** in bushing **B**.
✓ The air filter is correctly positioned.
- Insert retaining tab **2**.
✓ Retaining pin **3** is secured by retaining tab **2**.

Info

If the air filter is not mounted correctly, dust and dirt may enter the engine and result in damage.

Finishing work

- Install the air filter box cover. (🔧 p. 65)

11.27 Preparing air filter box cover for securing

Preparatory work

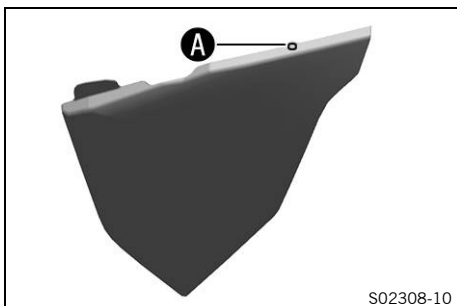
- Remove the air filter box cover. (🔧 p. 64)

Main work

- Drill a hole at marking **A**.

Guideline

Diameter	6 mm (0.24 in)
----------	----------------



Finishing work

- Install the air filter box cover. (🔧 p. 65)

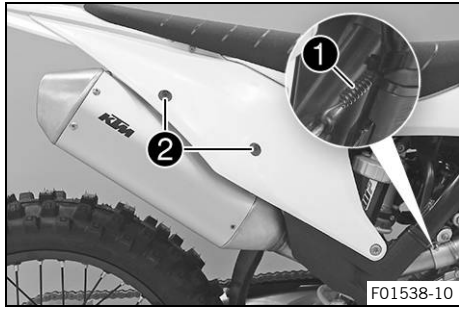
11.28 Removing the main silencer



Warning

Danger of burns The exhaust system gets very hot when the vehicle is driven.

- Allow the exhaust system to cool down before performing any work on the vehicle.

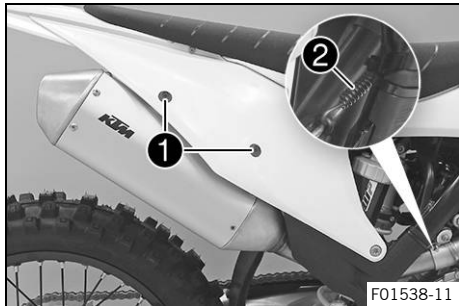


- Detach spring ①.

Spring hook (5030501700004)

- Remove screws ② with the washers and take off the main silencer.

11.29 Installing the main silencer



- Position the main silencer.
- Mount screws ① with the washers, but do not tighten yet.
- Attach spring ②.

Spring hook (5030501700004)

- Tighten screws ①.

Guideline

Remaining screws, chassis	M6	10 Nm (7.4 lbf ft)
---------------------------	----	--------------------

11.30 Changing the glass fiber yarn filling of the main silencer



Warning

Danger of burns The exhaust system gets very hot when the vehicle is driven.

- Allow the exhaust system to cool down before performing any work on the vehicle.

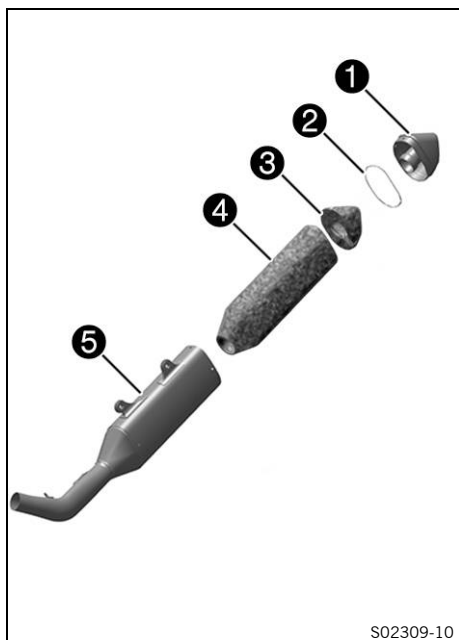


Info

Over time, the fibers of the glass fiber yarn escape and the damper "burns" out. Not only is the noise level higher, the performance characteristic changes.

Preparatory work

- Remove the main silencer. (📖 p. 67)



Main work

- Remove all the screws on the silencer cap.
- Take off silencer cap ① and O-ring ②.
- Pull glass fiber yarn filling ③ out of the silencer cap.
- Pull glass fiber yarn filling ④ from the inner tube.
- Clean the parts that need to be reinstalled and check for damage.
- Mount new glass fiber yarn filling ④ on the inner tube.
- Position new glass fiber yarn filling ③ in the silencer cap.
- Insert O-ring and silencer cap into outer tube ⑤.
- Mount all screws on the silencer cap and tighten.

Guideline

Screws on the main silencer	M5	7 Nm (5.2 lbf ft)
-----------------------------	----	-------------------

Finishing work

- Install the main silencer. (📖 p. 68)



11.31 Removing the fuel tank 🗑️



Danger

Fire hazard Fuel is highly flammable.

The fuel in the fuel tank expands when warm and can escape if overfilled.

- Do not refuel the vehicle in the vicinity of open flames or lit cigarettes.
- Switch off the engine for refueling.
- Make sure that no fuel is spilled; particularly not on hot parts of the vehicle.
- If any fuel is spilled, wipe it off immediately.
- Observe the specifications for refueling.



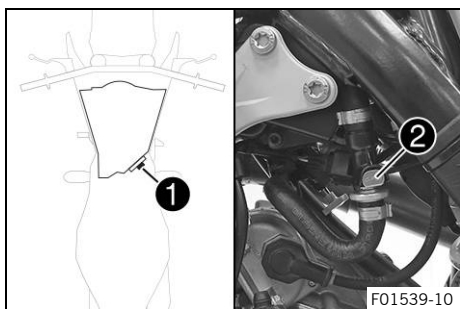
Warning

Danger of poisoning Fuel is poisonous and a health hazard.

- Avoid skin, eye and clothing contact with fuel.
- Immediately consult a doctor if you swallow fuel.
- Do not inhale fuel vapors.
- In case of skin contact, rinse the affected area with plenty of water.
- Rinse the eyes thoroughly with water, and consult a doctor in case of fuel contact with the eyes.
- Change your clothing in case of fuel spills on them.
- Keep fuels correctly in a suitable canister, and out of the reach of children.

Preparatory work

- Remove the seat. (📖 p. 63)



Main work
(All SX-F models)

- Unplug connector ① of the fuel pump.
- Pull the fuel tank breather hose off the tank lid.
- Clean plug-in connection ② of the fuel line thoroughly with compressed air.

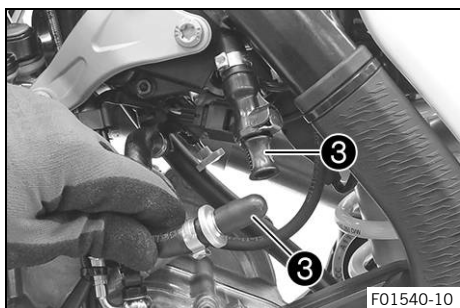
i Info
Under no circumstances should dirt enter into the fuel line. Dirt in the fuel line clogs the injection valve!

- Disconnect the plug-in connection of the fuel line.

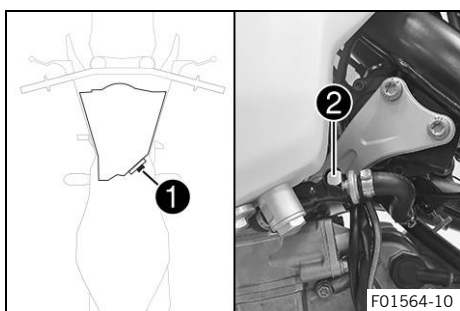
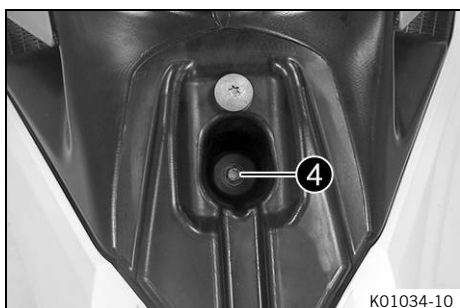
i Info
Remaining fuel may flow out of the fuel hose.

- Mount wash cap set ③.

Wash cap set (81212016100)



- Remove screw ④ with the rubber bushing.



(XC-F US)

- Unplug connector ① of the fuel pump.
- Clean plug-in connection ② of the fuel line thoroughly with compressed air.

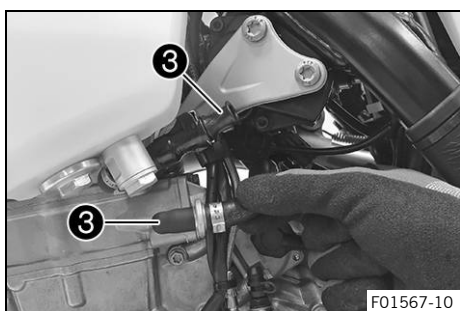
i Info
Under no circumstances should dirt enter into the fuel line. Dirt in the fuel line clogs the injection valve!

- Disconnect the plug-in connection of the fuel line.

i Info
Remaining fuel may flow out of the fuel hose.

- Mount wash cap set ③.

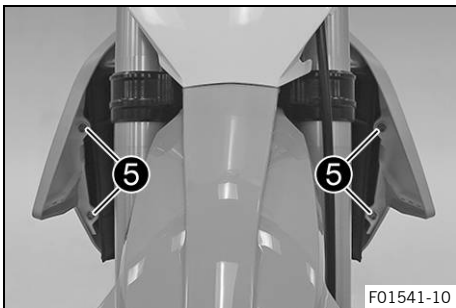
Wash cap set (81212016100)



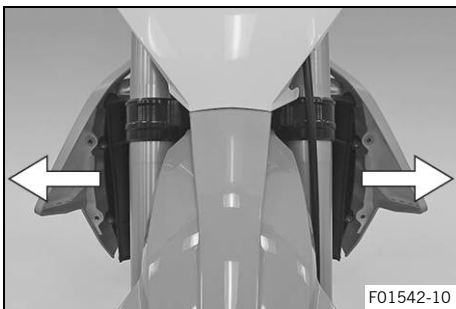
- Pull the fuel tank breather hose off the tank lid.



- Remove screw 4 with the rubber bushing.



- Remove screws 5 with the collar bushings.



- Pull both spoilers off laterally from the radiator bracket and lift off the fuel tank upward.

11.32 Installing the fuel tank ↗



Danger

Fire hazard Fuel is highly flammable.

The fuel in the fuel tank expands when warm and can escape if overfilled.

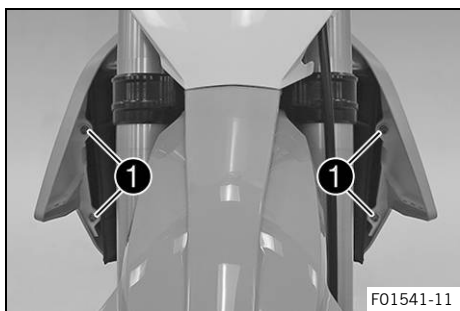
- Do not refuel the vehicle in the vicinity of open flames or lit cigarettes.
- Switch off the engine for refueling.
- Make sure that no fuel is spilled; particularly not on hot parts of the vehicle.
- If any fuel is spilled, wipe it off immediately.
- Observe the specifications for refueling.



Warning

Danger of poisoning Fuel is poisonous and a health hazard.

- Avoid skin, eye and clothing contact with fuel.
- Immediately consult a doctor if you swallow fuel.
- Do not inhale fuel vapors.
- In case of skin contact, rinse the affected area with plenty of water.
- Rinse the eyes thoroughly with water, and consult a doctor in case of fuel contact with the eyes.
- Change your clothing in case of fuel spills on them.

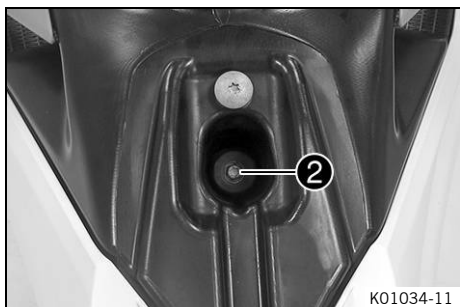


Main work

- Check the throttle cable routing. (📖 p. 78)
- Position the fuel tank and fit the two spoilers to the sides of the radiator bracket.
- Make sure that no cables or throttle cables are trapped or damaged.
- Attach the hose to the fuel tank breather on the tank lid.
- Mount and tighten screws **1** with the collar bushings.

Guideline

Remaining screws, chassis	M6	10 Nm (7.4 lbf ft)
---------------------------	----	--------------------

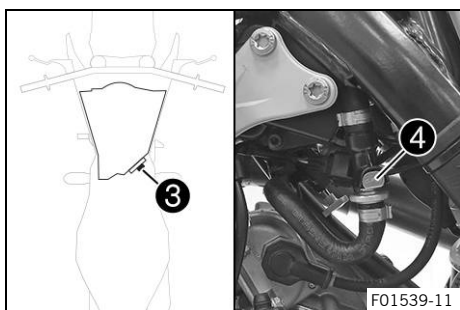


(All SX-F models)

- Mount and tighten screw **2** with the rubber bushing.

Guideline

Remaining screws, chassis	M6	10 Nm (7.4 lbf ft)
---------------------------	----	--------------------



- Plug in connector **3** for the fuel pump.
- Remove the wash cap set. Thoroughly clean the plug-in connection of the fuel line using compressed air.

i Info
Under no circumstances should dirt enter into the fuel line. Dirt in the fuel line clogs the injection valve!

- Lubricate the O-ring and connect plug-in connection **4** for the fuel line.

i Info
Route the cable and fuel line at a safe distance from the exhaust system.

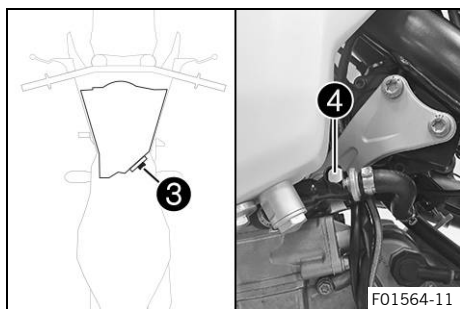


(XC-F US)

- Mount and tighten screw **2** with the rubber bushing.

Guideline

Remaining screws, chassis	M6	10 Nm (7.4 lbf ft)
---------------------------	----	--------------------



- Plug in connector ③ for the fuel pump.
- Remove the wash cap set. Thoroughly clean the plug-in connection of the fuel line using compressed air.

i Info
Under no circumstances should dirt enter into the fuel line. Dirt in the fuel line clogs the injection valve!

- Lubricate the O-ring and connect plug-in connection ④ for the fuel line.

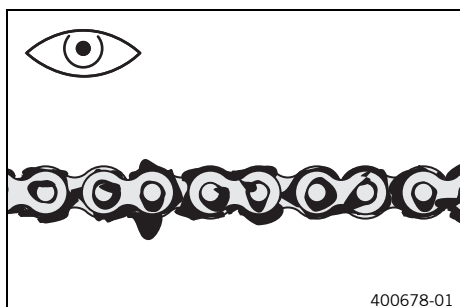
i Info
Route the cable and fuel line at a safe distance from the exhaust system.

Finishing work

- Mount the seat. (🔧 p. 64)



11.33 Checking for chain dirt accumulation



- Check the chain for coarse dirt accumulation.
 - » If the chain is very dirty:
 - Clean the chain. (🔧 p. 73)



11.34 Cleaning the chain



Warning

Danger of accidents Oil or grease on the tires reduces the road grip.

- Remove the lubricant from the tires using a suitable cleaning agent.



Warning

Danger of accidents Oil or grease on the brake discs reduces the braking effect.

- Always keep the brake discs free of oil and grease.
- Clean the brake discs with brake cleaner when necessary.



Note

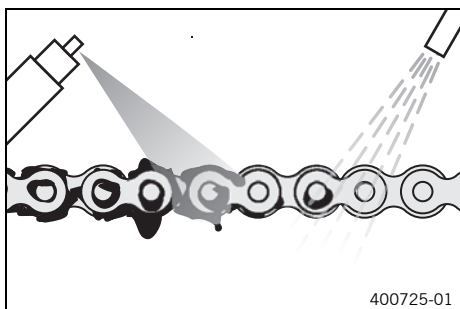
Environmental hazard Hazardous substances cause environmental damage.

- Dispose of oils, grease, filters, fuel, cleaning agents, brake fluid, etc., correctly and in compliance with the applicable regulations.



Info

The service life of the chain depends largely on its maintenance.



Preparatory work

- Raise the motorcycle with a lift stand. (📖 p. 50)

Main work

- Rinse off loose dirt with a soft jet of water.
- Remove old grease residue with chain cleaner.

Chain cleaner (📖 p. 140)

- After drying, apply chain spray.

Off-road chain spray (📖 p. 140)

Finishing work

- Remove the motorcycle from the lift stand. (📖 p. 50)

11.35 Checking the chain tension



Warning

Danger of accidents Incorrect chain tension damages components and results in accidents.

If the chain is tensioned too much, the chain, engine sprocket, rear sprocket, transmission and rear wheel bearings wear more quickly. Some components may break if overloaded.

If the chain is too loose, the chain may fall off the engine sprocket or the rear sprocket. As a result, the rear wheel locks or the engine will be damaged.

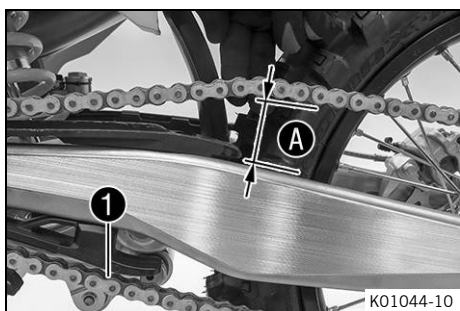
- Check the chain tension regularly.
- Set the chain tension in accordance with the specification.

Preparatory work

- Raise the motorcycle with a lift stand. (📖 p. 50)

Main work

- Pull the chain at the end of the chain sliding component upwards to measure chain tension **A**.



Info

The lower chain section **1** must be taut. Chain wear is not always even, so you should repeat this measurement at different chain positions.

Chain tension	55 ... 58 mm (2.17 ... 2.28 in)
---------------	---------------------------------

- » If the chain tension does not meet specifications:
 - Adjust the chain tension. (📖 p. 75)

Finishing work

- Remove the motorcycle from the lift stand. (📖 p. 50)

11.36 Adjusting the chain tension



Warning

Danger of accidents Incorrect chain tension damages components and results in accidents.

If the chain is tensioned too much, the chain, engine sprocket, rear sprocket, transmission and rear wheel bearings wear more quickly. Some components may break if overloaded.

If the chain is too loose, the chain may fall off the engine sprocket or the rear sprocket. As a result, the rear wheel locks or the engine will be damaged.

- Check the chain tension regularly.
- Set the chain tension in accordance with the specification.

Preparatory work

- Raise the motorcycle with a lift stand. (📖 p. 50)
- Check the chain tension. (📖 p. 74)

Main work

- Loosen nut ❶.
- Loosen nuts ❷.
- Adjust the chain tension by turning adjusting screws ❸ left and right.

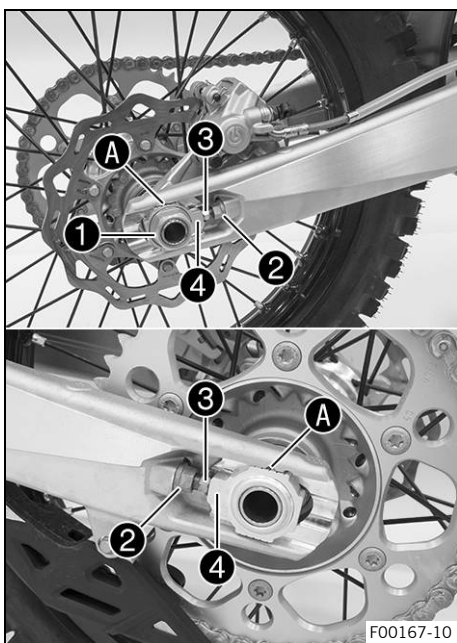
Guideline

Chain tension	55 ... 58 mm (2.17 ... 2.28 in)
Turn adjusting screws ❸ on the left and right so that the markings on the left and right chain adjusters are in the same position relative to reference marks A. The rear wheel is then correctly aligned.	

- Tighten nuts ❷.
- Make sure that chain adjusters ❹ are fitted correctly on adjusting screws ❸.
- Tighten nut ❶.

Guideline

Nut, rear wheel spindle	M25x1.5	80 Nm (59 lbf ft)
-------------------------	---------	-------------------



Info

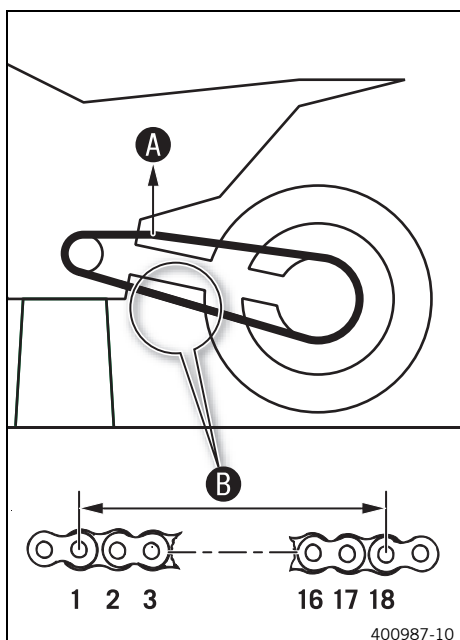
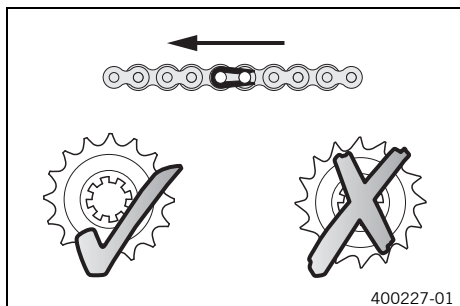
The wide adjustment range of the chain adjusters (32 mm (1.18 in)) enables different secondary ratios with the same chain length.

Chain adjusters ❹ can be turned by 180°.

Finishing work

- Remove the motorcycle from the lift stand. (📖 p. 50)

11.37 Checking the chain, rear sprocket, engine sprocket, and chain guide



Preparatory work

- Raise the motorcycle with a lift stand. (🔧 p. 50)

Main work

- Shift the transmission to idle.
- Check the chain, rear sprocket and engine sprocket for wear.
 - » If the chain, rear sprocket or engine sprocket is worn:
 - Change the drivetrain kit. 🛠️



Info

The engine sprocket, rear sprocket and chain should always be replaced together.

- Pull at the top part of the chain with the specified weight **A**.

Guideline

Weight, chain wear measurement	10 ... 15 kg (22 ... 33 lb.)
--------------------------------	------------------------------

- Measure distance **B** of 18 chain rollers in the lower chain section.



Info

Chain wear is not always even, so you should repeat this measurement at different chain positions.

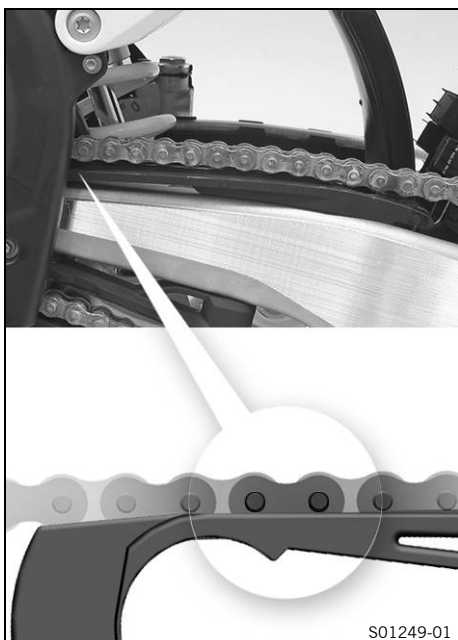
Maximum distance B from 18 chain rollers at the longest chain section	272 mm (10.71 in)
--	-------------------

- » If distance **B** is greater than the specified measurement:
 - Change the drivetrain kit. 🛠️



Info

When a new chain is mounted, the rear sprocket and engine sprocket should also be changed. New chains wear out faster on an old, worn rear sprocket or engine sprocket.



- Check the chain sliding guard for wear.
 - » If the lower edge of the chain pins is in line with, or below, the chain sliding guard:
 - Change the chain sliding guard. 🛠️
- Check that the chain sliding guard is firmly seated.
 - » If the chain sliding guard is loose:
 - Tighten the screws on the chain sliding guard.

Guideline

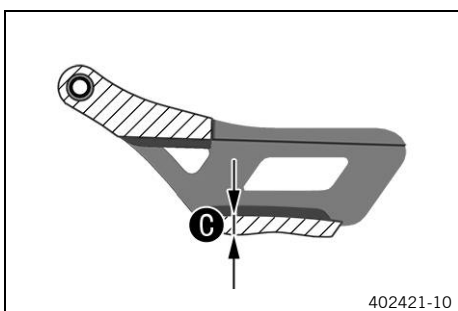
Screw, chain sliding guard	M6	6 Nm (4.4 lbf ft) Loctite®243™
----------------------------	----	--



- Check the chain sliding piece for wear.
 - » If the lower edge of the chain pins is in line with or below the chain sliding piece:
 - Change the chain sliding piece. 🛠️
- Check that the chain sliding piece is firmly seated.
 - » If the chain sliding piece is loose:
 - Tighten the screw on the chain sliding piece.

Guideline

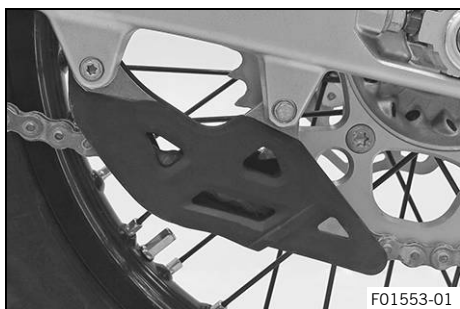
Screw, chain sliding piece	M8	15 Nm (11.1 lbf ft)
----------------------------	----	------------------------



- Check the chain guide with a slide gauge for dimension **C**.

Minimum thickness C of the chain guide	6 mm (0.24 in)
---	----------------

- » If the measured value is less than the specification:
 - Change the chain guide. 🛠️



F01553-01

- Check that the chain guide is firmly seated.
 - » If the chain guide is loose:
 - Tighten the screws on the chain guide.

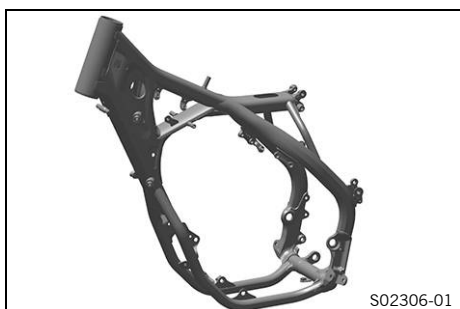
Guideline

Remaining screws, chassis	M6	10 Nm (7.4 lbf ft)
---------------------------	----	-----------------------

Finishing work

- Remove the motorcycle from the lift stand. (📖 p. 50)

11.38 Checking the frame 🛠️



S02306-01

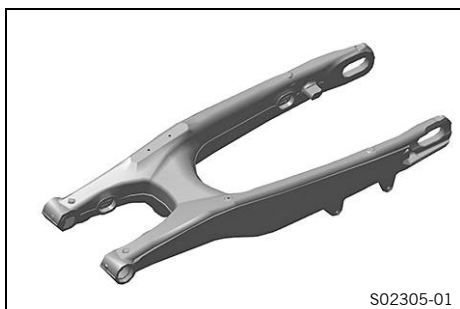
- Check the frame for cracks and deformation.
 - » If the frame exhibits cracks or deformation due to a mechanical impact:
 - Change the frame. 🛠️



Info

Always replace a frame that has been damaged due to a mechanical impact. Repair of the frame is not authorized by KTM.

11.39 Checking the swingarm 🛠️



S02305-01

- Check the swingarm for damage, cracking, and deformation.
 - » If the swingarm shows signs of damage, cracking, or deformation:
 - Change the swingarm. 🛠️



Info

Always change a damaged swingarm. Repair of the swingarm is not authorized by KTM.

11.40 Checking the throttle cable routing

Preparatory work

- Remove the seat. (📖 p. 63)
- Remove the fuel tank. 🛠️ (📖 p. 69)



Main work

- Check the throttle cable routing.

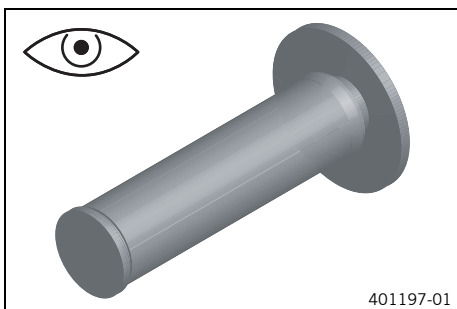
Both throttle cables must be routed, side by side, on the back of the handlebars and above the fuel tank bracket, to the throttle valve body. Both throttle cables must be secured behind the fuel tank contact area rubber band.

- » If the throttle cable is not routed as specified:
 - Correct the throttle cable routing.

Finishing work

- Install the fuel tank. (📖 p. 71)
- Mount the seat. (📖 p. 64)

11.41 Checking the rubber grips



- Check the rubber grips on the handlebar for damage, wear, and looseness.

i Info
The rubber grips are vulcanized onto a sleeve on the left and onto the handle tube of the throttle grip on the right. The left sleeve is clamped onto the handlebar. The rubber grip can only be replaced with the sleeve or the throttle tube.

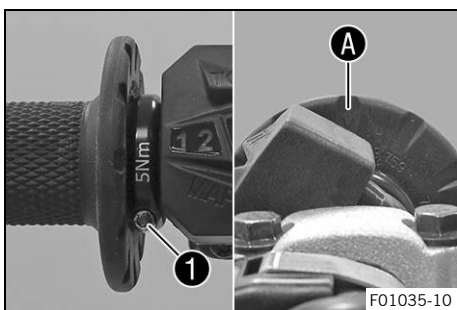
- » If a rubber grip is damaged or worn:
 - Change the rubber grip.

- Check that screw **1** is firmly seated.

Guideline

Screw, fixed grip	M4	5 Nm (3.7 lbf ft) Loctite®243™
-------------------	----	--

Diamond **A** must be located at the top.



11.42 Adjusting the basic position of the clutch lever



- Adjust the basic position of the clutch lever to your hand size by turning adjusting screw ①.



Info

Turn the adjusting screw counterclockwise to decrease the distance between the clutch lever and the handlebar.
Turn the adjusting screw clockwise to increase the distance between the clutch lever and the handlebar. The range of adjustment is limited.
Only turn the adjusting screw by hand, and do not use force.
Do not make any adjustments while riding.

11.43 Checking/correcting the fluid level of the hydraulic clutch



Warning

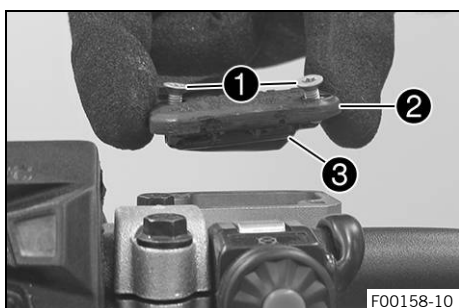
Skin irritation Brake fluid causes skin irritation.

- Keep brake fluid out of the reach of children.
- Wear suitable protective clothing and safety glasses.
- Do not allow brake fluid to come into contact with the skin, the eyes or clothing.
- Consult a doctor immediately if brake fluid has been swallowed.
- Rinse the affected area with plenty of water in the event of contact with the skin.
- Rinse eyes thoroughly with water immediately and consult a doctor if brake fluid comes into contact with the eyes.
- If brake fluid spills on to your clothing, change the clothing.



Info

The fluid level rises with increasing wear of the clutch facing discs.
Never use DOT 5 brake fluid. It is silicone-based and purple in color. Oil seals and clutch lines are not designed for DOT 5 brake fluid.
Avoid contact between brake fluid and painted parts. Brake fluid attacks paint.
Only use clean brake fluid from a sealed container.



- Move the clutch fluid reservoir mounted on the handlebar to a horizontal position.
- Remove screws ①.
- Remove cover ② with membrane ③.
- Check the fluid level.

Fluid level below container rim	4 mm (0.16 in)
---------------------------------	----------------

- » If the fluid level does not meet specifications:
 - Correct the fluid level of the hydraulic clutch.

Brake fluid DOT 4 / DOT 5.1 (📖 p. 138)

- Position the cover with the membrane. Mount and tighten the screws.



Info

Clean up overflowed or spilled brake fluid immediately with water.

11.44 Changing the hydraulic clutch fluid



Warning

Skin irritation Brake fluid causes skin irritation.

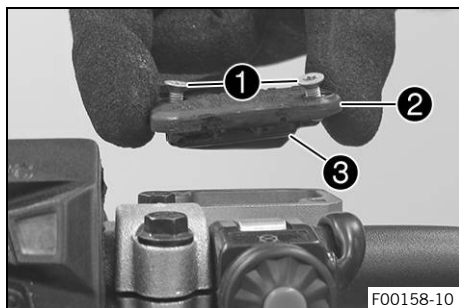
- Keep brake fluid out of the reach of children.
- Wear suitable protective clothing and safety glasses.
- Do not allow brake fluid to come into contact with the skin, the eyes or clothing.
- Consult a doctor immediately if brake fluid has been swallowed.
- Rinse the affected area with plenty of water in the event of contact with the skin.
- Rinse eyes thoroughly with water immediately and consult a doctor if brake fluid comes into contact with the eyes.
- If brake fluid spills on to your clothing, change the clothing.



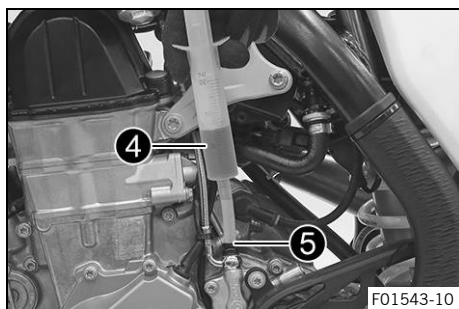
Note

Environmental hazard Hazardous substances cause environmental damage.

- Dispose of oils, grease, filters, fuel, cleaning agents, brake fluid, etc., correctly and in compliance with the applicable regulations.



- Move the clutch fluid reservoir mounted on the handlebar to a horizontal position.
- Remove screws ①.
- Take off cover ② with membrane ③.



(All SX-F models)

- Fill bleeding syringe ④ with the appropriate hydraulic fluid.

Syringe (50329050000)

Brake fluid DOT 4 / DOT 5.1 (p. 138)

- On the clutch slave cylinder, remove the protection cap and mount bleeding syringe ④ with appropriate hose piece at the bleeder screw ⑤.
- Only loosen bleeder screw ⑤ on the clutch slave cylinder to the point where filling is possible.

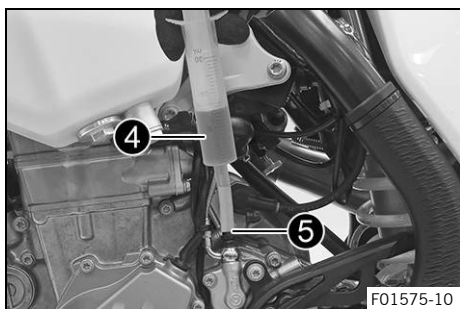


Info

Clean up overflowed or spilled brake fluid immediately with water.

Avoid contact between brake fluid and painted parts. Brake fluid attacks paint.

Only use clean brake fluid from a sealed container.



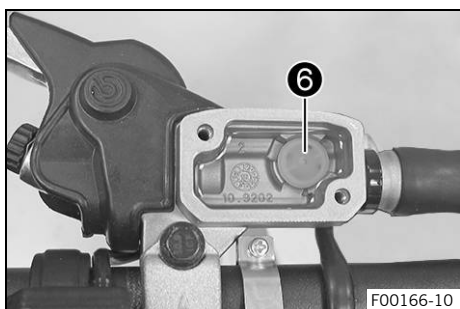
(XC-F US)

- Fill bleeding syringe ④ with the appropriate hydraulic fluid.

Syringe (50329050000)
Brake fluid DOT 4 / DOT 5.1 (📖 p. 138)

- On the clutch slave cylinder, remove the protection cap and mount bleeding syringe ④ with appropriate hose piece at the bleeder screw ⑤.
- Only loosen bleeder screw ⑤ on the clutch slave cylinder to the point where filling is possible.

i Info
 Clean up overflowed or spilled brake fluid immediately with water.
 Avoid contact between brake fluid and painted parts. Brake fluid attacks paint.
 Only use clean brake fluid from a sealed container.



- Now inject the liquid into the system until it emerges from drill hole ⑥ of the master cylinder without bubbles.
- Now and then, extract fluid from the master cylinder reservoir to prevent overflow.
- Tighten the bleeder screw and remove the bleeding syringe with the hose. Mount protection cap.
- Correct the fluid level of the hydraulic clutch.

Guideline

Fluid level below container rim	4 mm (0.16 in)
---------------------------------	----------------

- Position cover with membrane. Mount and tighten screws.

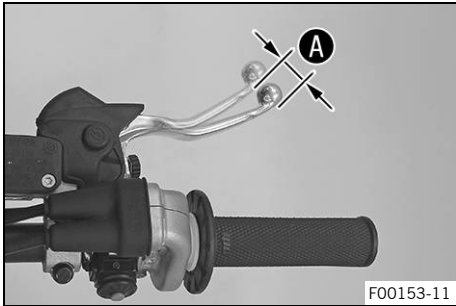
12.1 Checking the free travel of the hand brake lever



Warning

Danger of accidents The brake system fails in the event of overheating.
 If there is no free travel on the hand brake lever, pressure builds up on the front brake circuit.

- Set the free travel on the hand brake lever in accordance with the specification.



- Push the hand brake lever forward and check free travel **A**.

Free travel of hand brake lever	≥ 3 mm (≥ 0.12 in)
---------------------------------	--------------------

- » If the free travel does not match the specification:
 - Adjust the basic position of the hand brake lever. (📖 p. 83)

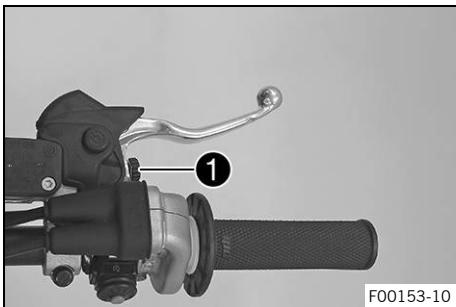
12.2 Adjusting the basic position of the hand brake lever

Preparatory work

- Check the free travel of the hand brake lever. (📖 p. 83)

Main work

- Adjust the basic position of the hand brake lever to your hand size by turning adjusting screw **1**.



i Info

Turn the adjusting screw clockwise to increase the distance between the hand brake lever and the handlebar.
 Turn the adjusting screw counterclockwise to decrease the distance between the hand brake lever and the handlebar.
 The range of adjustment is limited.
 Only turn the adjusting screw by hand, and do not use force.
 Do not make any adjustments while riding.

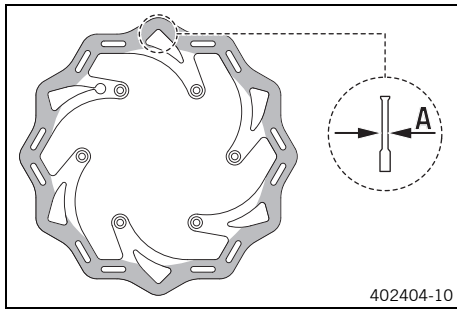
12.3 Checking the brake discs



Warning

Danger of accidents Worn-out brake discs reduce the braking effect.

- Make sure that worn-out brake discs are replaced immediately. (Your authorized KTM workshop will be glad to help.)



- Check the front and rear brake disc thickness at multiple points for the dimension **A**.



Info

Wear reduces the thickness of the brake disc around the contact surface of the brake linings.

Brake discs - wear limit	
front	2.5 mm (0.098 in)
rear	3.5 mm (0.138 in)

- » If the brake disc thickness is less than the specification:
 - Change the front brake disc. 🛠️
 - Change the rear brake disc. 🛠️
- Check the front and rear brake discs for damage, cracking, and deformation.
 - » If the brake disc exhibits damage, cracking, or deformation:
 - Change the front brake disc. 🛠️
 - Change the rear brake disc. 🛠️

12.4 Checking the brake fluid level of the front brake



Warning

Danger of accidents An insufficient brake fluid level will cause the brake system to fail.

If the brake fluid level drops below the specified marking or the specified value, the brake system is leaking or the brake linings are worn down.

- Check the brake system and do not continue riding until the problem is eliminated. (Your authorized KTM workshop will be glad to help.)



Warning

Danger of accidents Old brake fluid reduces the braking effect.

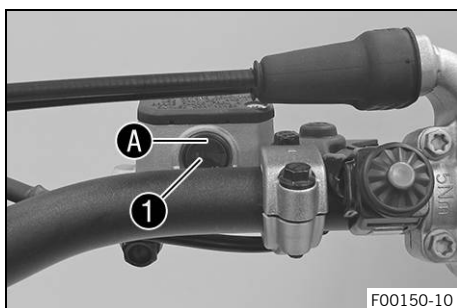
- Make sure that brake fluid for the front and rear brake is changed in accordance with the service schedule. (Your authorized KTM workshop will be glad to help.)

Preparatory work

- Check the front brake linings. (📖 p. 86)

Main work

- Move the brake fluid reservoir mounted on the handlebar to a horizontal position.
- Check the brake fluid level in level viewer **1**.
 - » If the brake fluid level has dropped below marking **A**:
 - Add front brake fluid. 🛠️ (📖 p. 85)



12.5 Adding front brake fluid



Warning

Danger of accidents An insufficient brake fluid level will cause the brake system to fail.

If the brake fluid level drops below the specified marking or the specified value, the brake system is leaking or the brake linings are worn down.

- Check the brake system and do not continue riding until the problem is eliminated. (Your authorized KTM workshop will be glad to help.)



Warning

Skin irritation Brake fluid causes skin irritation.

- Keep brake fluid out of the reach of children.
- Wear suitable protective clothing and safety glasses.
- Do not allow brake fluid to come into contact with the skin, the eyes or clothing.
- Consult a doctor immediately if brake fluid has been swallowed.
- Rinse the affected area with plenty of water in the event of contact with the skin.
- Rinse eyes thoroughly with water immediately and consult a doctor if brake fluid comes into contact with the eyes.
- If brake fluid spills on to your clothing, change the clothing.



Warning

Danger of accidents Old brake fluid reduces the braking effect.

- Make sure that brake fluid for the front and rear brake is changed in accordance with the service schedule. (Your authorized KTM workshop will be glad to help.)



Note

Environmental hazard Hazardous substances cause environmental damage.

- Dispose of oils, grease, filters, fuel, cleaning agents, brake fluid, etc., correctly and in compliance with the applicable regulations.

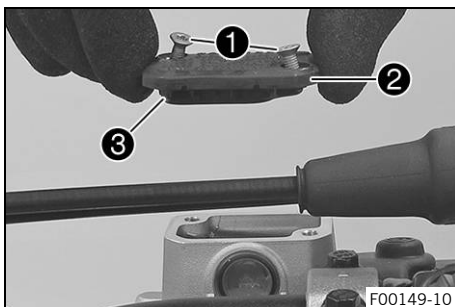


Info


Never use DOT 5 brake fluid. It is silicone-based and purple in color. Oil seals and brake lines are not designed for DOT 5 brake fluid.

Avoid contact between brake fluid and painted parts. Brake fluid attacks paint.

Only use clean brake fluid from a sealed container.

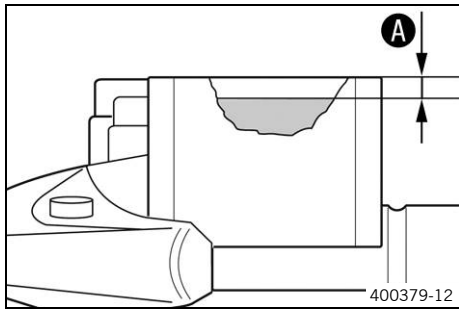


Preparatory work

- Check the front brake linings. ( p. 86)

Main work

- Move the brake fluid reservoir mounted on the handlebar to a horizontal position.
- Remove screws **1**.
- Remove cover **2** with membrane **3**.

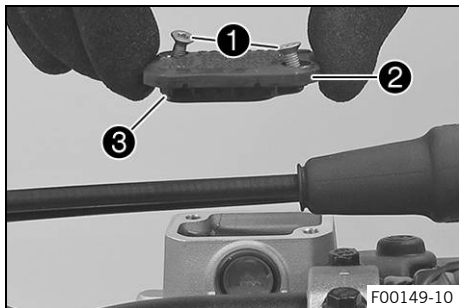


- Add brake fluid to level **A**.

Guideline

Level A (brake fluid level below reservoir rim)	5 mm (0.2 in)
--	---------------

Brake fluid DOT 4 / DOT 5.1 (📖 p. 138)



- Position cover **2** with membrane **3**. Mount and tighten screws **1**.

i Info

Clean up overflowed or spilled brake fluid immediately with water.

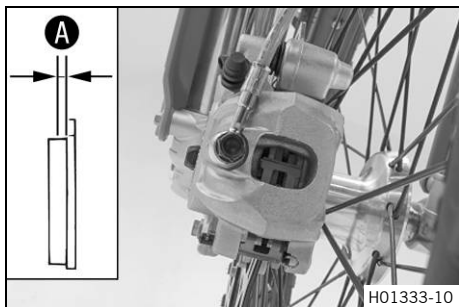
12.6 Checking the front brake linings



Warning

Danger of accidents Worn-out brake linings reduce the braking effect.

- Ensure that worn-out brake linings are replaced immediately. (Your authorized KTM workshop will be glad to help.)



- Check the brake linings for minimum thickness **A**.

Minimum thickness A	$\geq 1 \text{ mm } (\geq 0.04 \text{ in})$
----------------------------	---

- » If the minimum thickness is less than specified:
 - Change the front brake linings. 🛠️ (📖 p. 86)
- Check the brake linings for damage and cracking.
 - » If damage or wear is encountered:
 - Change the front brake linings. 🛠️ (📖 p. 86)

12.7 Changing the front brake linings 🛠️



Warning

Danger of accidents Incorrect maintenance will cause the brake system to fail.

- Ensure that service work and repairs are performed professionally. (Your authorized KTM workshop will be glad to help.)

**Warning****Skin irritation** Brake fluid causes skin irritation.

- Keep brake fluid out of the reach of children.
- Wear suitable protective clothing and safety glasses.
- Do not allow brake fluid to come into contact with the skin, the eyes or clothing.
- Consult a doctor immediately if brake fluid has been swallowed.
- Rinse the affected area with plenty of water in the event of contact with the skin.
- Rinse eyes thoroughly with water immediately and consult a doctor if brake fluid comes into contact with the eyes.
- If brake fluid spills on to your clothing, change the clothing.

**Warning****Danger of accidents** Old brake fluid reduces the braking effect.

- Make sure that brake fluid for the front and rear brake is changed in accordance with the service schedule. (Your authorized KTM workshop will be glad to help.)

**Note****Environmental hazard** Hazardous substances cause environmental damage.

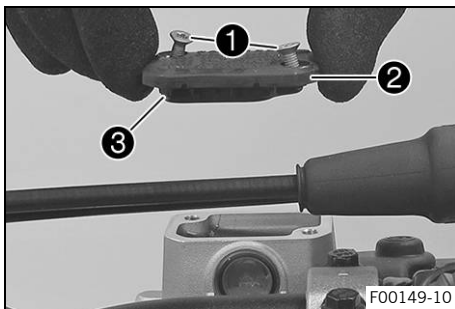
- Dispose of oils, grease, filters, fuel, cleaning agents, brake fluid, etc., correctly and in compliance with the applicable regulations.

**Info**

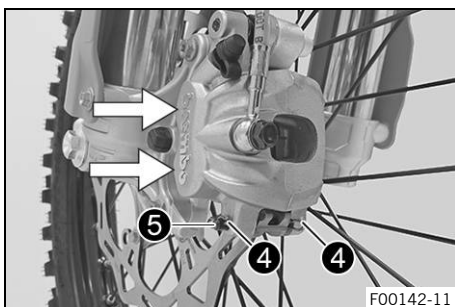
Never use DOT 5 brake fluid. It is silicone-based and purple in color. Oil seals and brake lines are not designed for DOT 5 brake fluid.

Avoid contact between brake fluid and painted parts. Brake fluid attacks paint.

Only use clean brake fluid from a sealed container.



- Move the brake fluid reservoir mounted on the handlebar to a horizontal position.
- Remove screws ①.
- Take off cover ② with membrane ③.

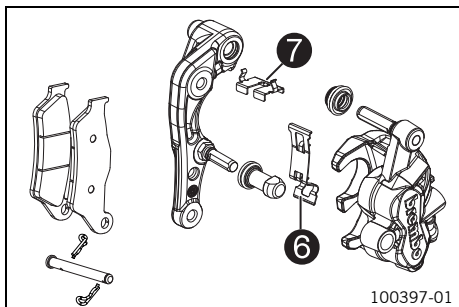


- Manually press the brake caliper toward the brake disc to push back the brake pistons. Ensure that brake fluid does not flow out of the brake fluid reservoir, if necessary extract excess.

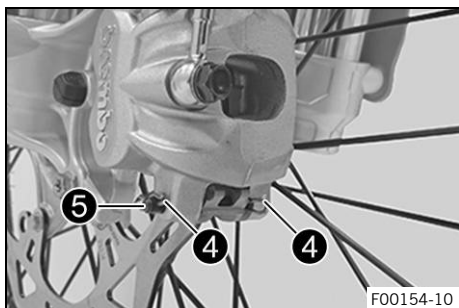
**Info**

Make sure that you do not press the brake caliper against the spokes when pushing back the brake pistons.

- Remove the cotter pins ④, pull out pin ⑤, and remove the brake linings.
- Clean the brake caliper and brake caliper support.



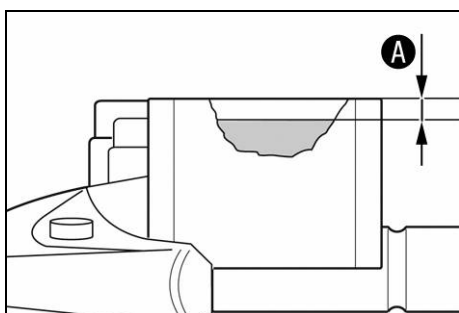
- Check that leaf spring **6** in the brake caliper and sliding plate **7** in the brake caliper support are seated correctly.



- Insert the new brake linings, insert pin **5**, and mount the cotter pins **4**.

i Info
Always change the brake linings in pairs.

- Operate the hand brake lever repeatedly until the brake linings are in contact with the brake disc and there is a pressure point.



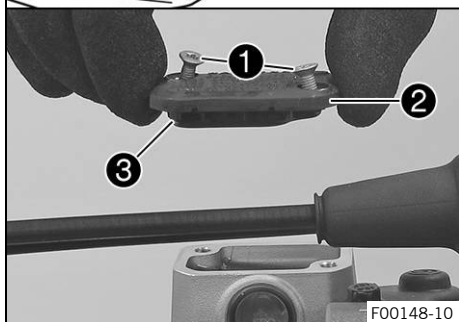
- Add brake fluid up to level **A**.

Guideline

Level A (brake fluid level below reservoir rim)	5 mm (0.2 in)
--	---------------

Brake fluid DOT 4 / DOT 5.1 (📖 p. 138)

- Position cover **2** with membrane **3**.
- Mount and tighten screws **1**.



i Info
Clean up overflowed or spilled brake fluid immediately with water.

12.8 Checking the free travel of foot brake lever

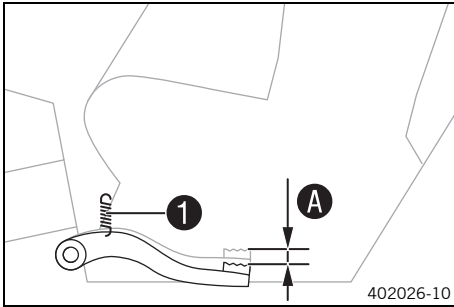


Warning

Danger of accidents The brake system fails in the event of overheating.

If there is no free travel on the foot brake lever, pressure builds up in the brake system on the rear brake.

- Set the free travel on the foot brake lever in accordance with the specification.



- Disconnect spring ①.
- Move the foot brake lever back and forth between the end stop and the contact to the foot brake cylinder piston and check free travel A.

Guideline

Free travel at foot brake lever	3 ... 5 mm (0.12 ... 0.2 in)
---------------------------------	------------------------------

- » If the free travel does not meet specifications:
 - Adjust the basic position of the foot brake lever. ↗
(📖 p. 89)

- Reconnect spring ①.



12.9 Adjusting the basic position of the foot brake lever ↗

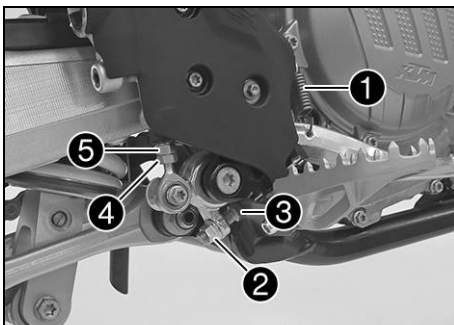


Warning

Danger of accidents The brake system fails in the event of overheating.

If there is no free travel on the foot brake lever, pressure builds up in the brake system on the rear brake.

- Set the free travel on the foot brake lever in accordance with the specification.



- Detach spring ①.
- Loosen nut ④ and, with push rod ⑤, turn it back until you have maximum free travel.
- To adjust the basic position of the foot brake lever to individual requirements, loosen nut ② and turn screw ③ accordingly.



Info

The range of adjustment is limited.

- Turn push rod ⑤ accordingly until you have free travel A. If necessary, adjust the basic position of the foot brake lever.

Guideline

Free travel at foot brake lever	3 ... 5 mm (0.12 ... 0.2 in)
---------------------------------	------------------------------

- Hold push rod ⑤ and tighten nut ④.

Guideline

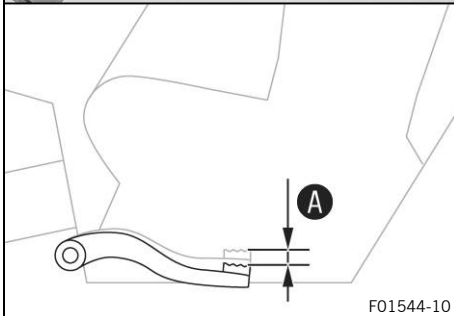
Remaining nuts, chassis	M6	10 Nm (7.4 lbf ft)
-------------------------	----	--------------------

- Hold screw ③ and tighten nut ②.

Guideline

Nut, foot brake lever stop	M8	20 Nm (14.8 lbf ft)
----------------------------	----	---------------------

- Attach spring ①.



F01544-10

12.10 Checking the rear brake fluid level



Warning

Danger of accidents An insufficient brake fluid level will cause the brake system to fail.

If the brake fluid level drops below the specified marking or the specified value, the brake system is leaking or the brake linings are worn down.

- Check the brake system and do not continue riding until the problem is eliminated. (Your authorized KTM workshop will be glad to help.)



Warning

Danger of accidents Old brake fluid reduces the braking effect.

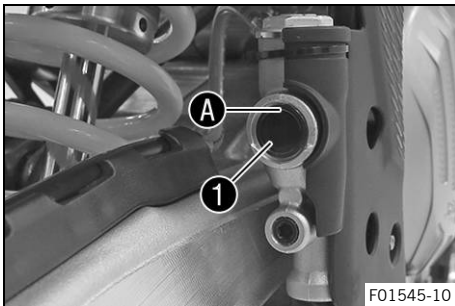
- Make sure that brake fluid for the front and rear brake is changed in accordance with the service schedule. (Your authorized KTM workshop will be glad to help.)

Preparatory work

- Check the brake linings of the rear brake. (🗨️ p. 91)

Main work

- Stand the vehicle upright.
- Check the brake fluid level in the viewer ❶.
 - » If the brake fluid level drops below marking A:
 - Add rear brake fluid. 🗨️ (🗨️ p. 90)



F01545-10

12.11 Adding rear brake fluid 🗨️



Warning

Danger of accidents An insufficient brake fluid level will cause the brake system to fail.

If the brake fluid level drops below the specified marking or the specified value, the brake system is leaking or the brake linings are worn down.

- Check the brake system and do not continue riding until the problem is eliminated. (Your authorized KTM workshop will be glad to help.)



Warning

Skin irritation Brake fluid causes skin irritation.

- Keep brake fluid out of the reach of children.
- Wear suitable protective clothing and safety glasses.
- Do not allow brake fluid to come into contact with the skin, the eyes or clothing.
- Consult a doctor immediately if brake fluid has been swallowed.
- Rinse the affected area with plenty of water in the event of contact with the skin.
- Rinse eyes thoroughly with water immediately and consult a doctor if brake fluid comes into contact with the eyes.
- If brake fluid spills on to your clothing, change the clothing.



Warning

Danger of accidents Old brake fluid reduces the braking effect.

- Make sure that brake fluid for the front and rear brake is changed in accordance with the service schedule. (Your authorized KTM workshop will be glad to help.)



Note

Environmental hazard Hazardous substances cause environmental damage.

- Dispose of oils, grease, filters, fuel, cleaning agents, brake fluid, etc., correctly and in compliance with the applicable regulations.



Info

Never use DOT 5 brake fluid. It is silicone-based and purple in color. Oil seals and brake lines are not designed for DOT 5 brake fluid.

Avoid contact between brake fluid and painted parts. Brake fluid attacks paint.

Only use clean brake fluid from a sealed container.

Preparatory work

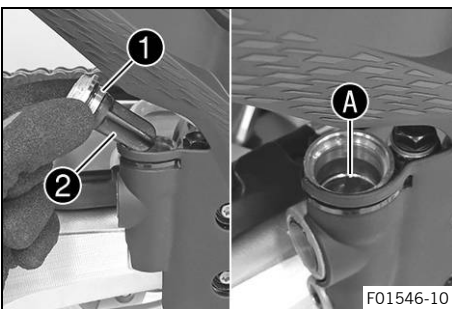
- Check the brake linings of the rear brake. (📖 p. 91)

Main work

- Stand the vehicle upright.
- Remove screw cap ① with membrane ② and the O-ring.
- Add brake fluid to level A.

Brake fluid DOT 4 / DOT 5.1 (📖 p. 138)

- Mount and tighten the screw cap with the membrane and O-ring.



Info

Clean up overflowed or spilled brake fluid immediately with water.

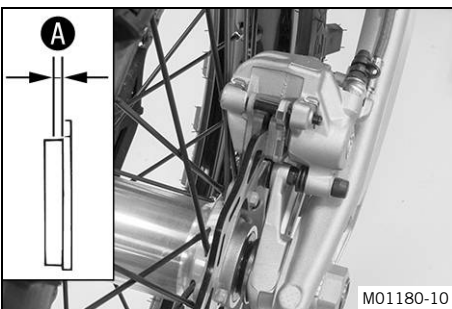
12.12 Checking the brake linings of the rear brake



Warning

Danger of accidents Worn-out brake linings reduce the braking effect.

- Ensure that worn-out brake linings are replaced immediately. (Your authorized KTM workshop will be glad to help.)



- Check the brake linings for minimum thickness A.

Minimum thickness A	≥ 1 mm (≥ 0.04 in)
---------------------	--------------------

- » If the minimum thickness is less than specified:
 - Change the rear brake linings. 🛠️ (📖 p. 92)
- Check the brake linings for damage and cracking.
 - » If damage or wear is encountered:
 - Change the rear brake linings. 🛠️ (📖 p. 92)

12.13 Changing the rear brake linings ↩



Warning

Danger of accidents Incorrect maintenance will cause the brake system to fail.

- Ensure that service work and repairs are performed professionally. (Your authorized KTM workshop will be glad to help.)



Warning

Skin irritation Brake fluid causes skin irritation.

- Keep brake fluid out of the reach of children.
- Wear suitable protective clothing and safety glasses.
- Do not allow brake fluid to come into contact with the skin, the eyes or clothing.
- Consult a doctor immediately if brake fluid has been swallowed.
- Rinse the affected area with plenty of water in the event of contact with the skin.
- Rinse eyes thoroughly with water immediately and consult a doctor if brake fluid comes into contact with the eyes.
- If brake fluid spills on to your clothing, change the clothing.



Warning

Danger of accidents Old brake fluid reduces the braking effect.

- Make sure that brake fluid for the front and rear brake is changed in accordance with the service schedule. (Your authorized KTM workshop will be glad to help.)



Note

Environmental hazard Hazardous substances cause environmental damage.

- Dispose of oils, grease, filters, fuel, cleaning agents, brake fluid, etc., correctly and in compliance with the applicable regulations.

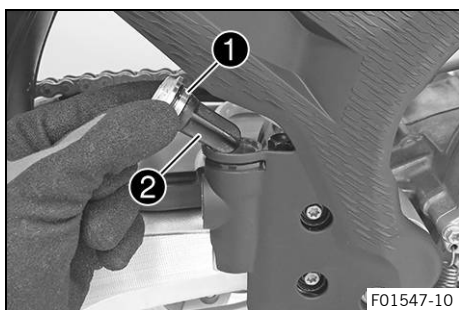


Info

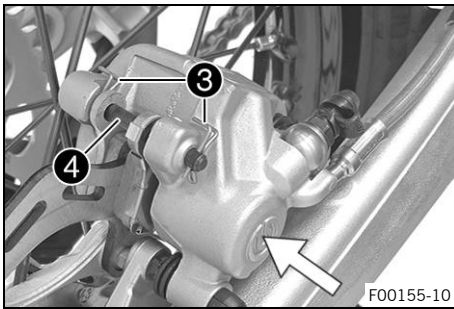
Never use DOT 5 brake fluid. It is silicone-based and purple in color. Oil seals and brake lines are not designed for DOT 5 brake fluid.

Avoid contact between brake fluid and painted parts. Brake fluid attacks paint.

Only use clean brake fluid from a sealed container.

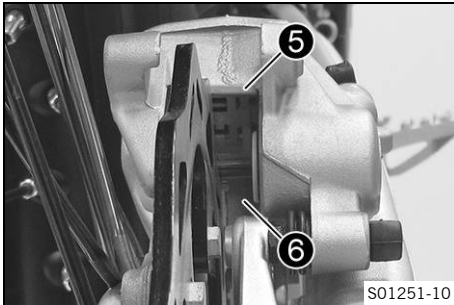


- Stand the vehicle upright.
- Remove screw cap ① with membrane ② and the O-ring.



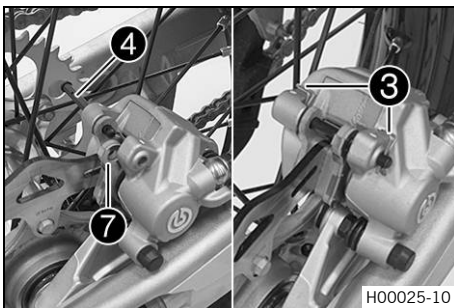
- Manually press the brake caliper to the brake disc to push back the brake piston. Ensure that brake fluid does not flow out of the brake fluid reservoir, extracting it by suction if it does.

i Info
Make sure when pushing back the brake piston that you do not press the brake caliper against the spokes.



- Remove the cotter pins **3**, pull out pin **4**, and remove the brake linings.
- Clean the brake caliper and brake caliper support.
- Check that leaf spring **5** in the brake caliper and sliding plate **6** in the brake caliper support are seated correctly.

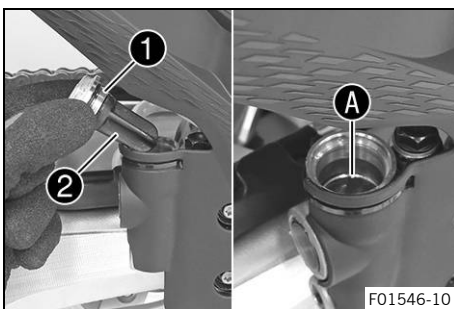
i Info
The arrow on the leaf spring points in the rotation direction of the brake disc.



- Insert the new brake linings, insert pin **4**, and mount the cotter pins **3**.

i Info
Always change the brake linings in pairs.
Make sure that decoupling plate **7** is mounted on the piston side brake lining.

- Operate the foot brake lever repeatedly until the brake linings are in contact with the brake disc and there is a pressure point.



- Add brake fluid to level **A**.

Brake fluid DOT 4 / DOT 5.1 (🗨 p. 138)

- Mount and tighten screw cap **1** with membrane **2** and the O-ring.

i Info
Clean up overflowed or spilled brake fluid immediately with water.

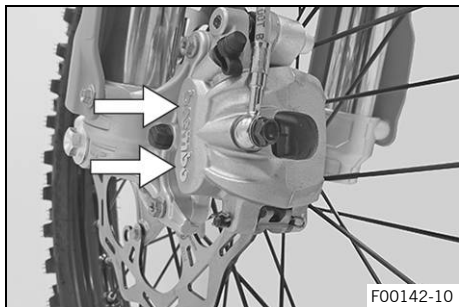
13.1 Removing the front wheel

Preparatory work

- Raise the motorcycle with a lift stand. (📖 p. 50)

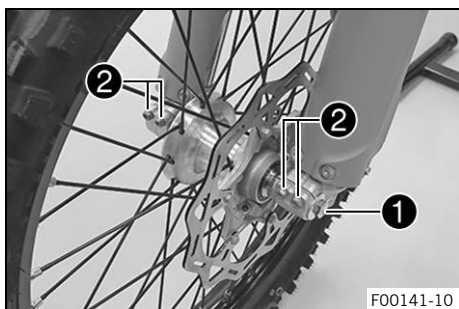
Main work

- Press the brake caliper onto the brake disc by hand in order to push back the brake pistons.

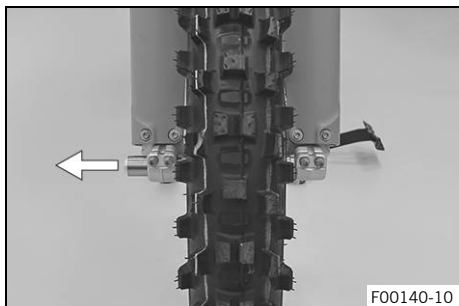


Info

Make sure that you do not press the brake caliper against the spokes when pushing back the brake pistons.



- Loosen screw ① by several rotations.
- Loosen screws ②.
- Press on screw ① to push the wheel spindle out of the axle clamp.
- Remove screw ①.



Warning

Danger of accidents Damaged brake discs reduce the braking effect.

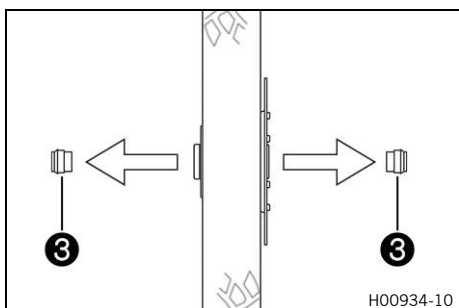
- Always lay the wheel down in such a way that the brake disc is not damaged.

- Holding the front wheel, withdraw the wheel spindle. Take the front wheel out of the fork.

Info

Do not pull the hand brake lever when the front wheel is removed.

- Remove spacers ③.



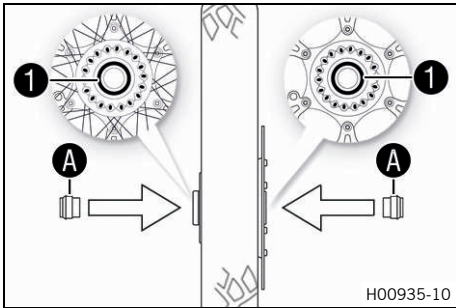
13.2 Installing the front wheel



Warning

Danger of accidents Oil or grease on the brake discs reduces the braking effect.

- Always keep the brake discs free of oil and grease.
- Clean the brake discs with brake cleaner when necessary.



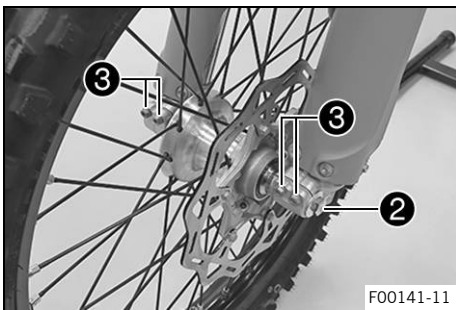
- Check the wheel bearing for damage and wear.
 - » If the wheel bearing is damaged or worn:
 - Change front wheel bearing.
- Clean and grease shaft seal rings 1 and contact surfaces A of the spacers.

Long-life grease (p. 140)

- Insert the spacers.
- Clean and grease the wheel spindle.

Long-life grease (p. 140)

- Position the front wheel and insert the wheel spindle.
 - ✓ The brake linings are correctly positioned.



- Mount and tighten screw 2.

Guideline

Screw, front wheel spindle	M20x1.5	35 Nm (25.8 lbf ft)
----------------------------	---------	---------------------

- Operate the hand brake lever several times until the brake linings are seated correctly against the brake disc.
- Remove the motorcycle from the lift stand. (p. 50)
- Operate the front brake and compress the fork a few times firmly.
 - ✓ The fork legs straighten.

- Tighten screws 3.

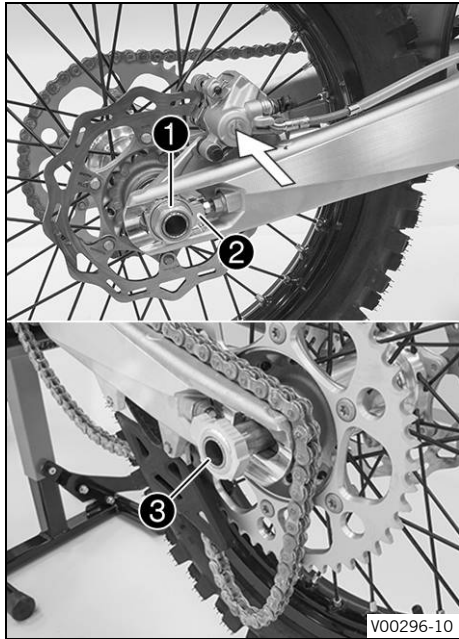
Guideline

Screw, fork stub	M8	15 Nm (11.1 lbf ft)
------------------	----	---------------------

13.3 Removing the rear wheel

Preparatory work

- Raise the motorcycle with a lift stand. (p. 50)



Main work

- Press the brake caliper onto the brake disc by hand in order to push back the brake piston.



Info

Make sure when pushing back the brake piston that you do not press the brake caliper against the spokes.

- Remove nut ①.
- Remove chain adjuster ②. Pull out wheel spindle ③ far enough to allow the rear wheel to be pushed forward.
- Push the rear wheel forward as far as possible. Remove the chain from the rear sprocket.



Info

Cover the components to protect them against damage.



Warning

Danger of accidents Damaged brake discs reduce the braking effect.

- Always lay the wheel down in such a way that the brake disc is not damaged.

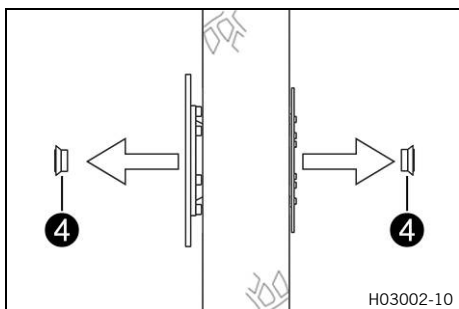
- Holding the rear wheel, withdraw the wheel spindle. Take the rear wheel out of the swingarm.



Info

Do not operate the foot brake lever when the rear wheel is removed.

- Remove spacers ④.



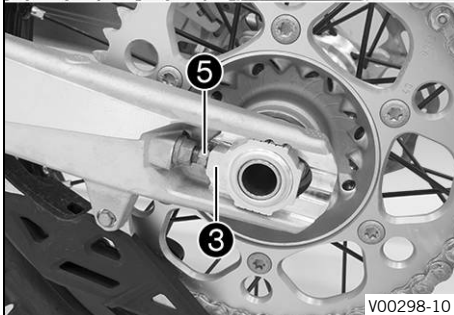
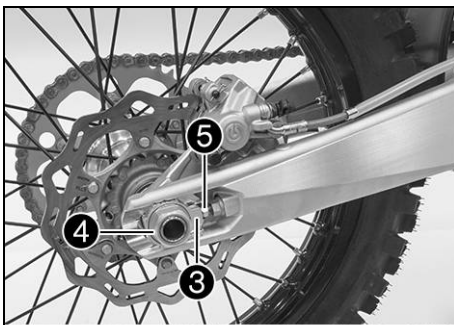
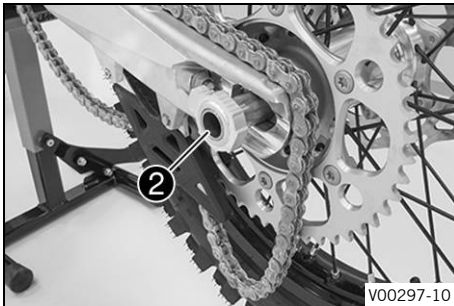
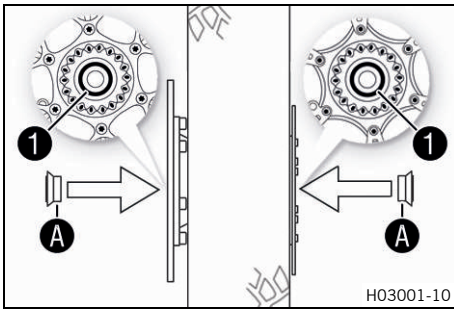
13.4 Installing the rear wheel



Warning

Danger of accidents Oil or grease on the brake discs reduces the braking effect.

- Always keep the brake discs free of oil and grease.
- Clean the brake discs with brake cleaner when necessary.



Main work

- Check the wheel bearing for damage and wear.
 - » If the wheel bearing is damaged or worn:
 - Change the rear wheel bearing. 🛠️
- Clean and grease shaft seal rings **1** and contact surfaces **A** of the spacers.

Long-life grease (📖 p. 140)
- Insert the spacers.
- Clean and grease the wheel spindle.

Long-life grease (📖 p. 140)
- Position the rear wheel and insert wheel spindle **2**.
 - ✓ The brake linings are correctly positioned.
- Mount the chain.

- Position chain adjuster **3**. Mount nut **4**, but do not tighten it yet.
- Make sure that chain adjusters **3** are fitted correctly on adjusting screws **5**.
- Check the chain tension. (📖 p. 74)
- Tighten nut **4**.

Guideline

Nut, rear wheel spindle	M25x1.5	80 Nm (59 lbf ft)
-------------------------	---------	-------------------



Info

The wide adjustment range of the chain adjusters (32 mm (1.26 in)) enables different secondary ratios with the same chain length.
Chain adjusters **3** can be turned by 180°.

- Operate the foot brake lever repeatedly until the brake linings are in contact with the brake disc and there is a pressure point.

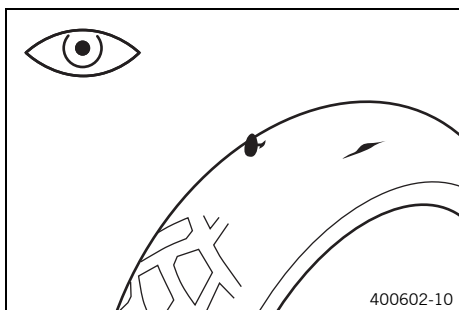
Finishing work

- Remove the motorcycle from the lift stand. (📖 p. 50)

13.5 Checking the tire condition

i Info

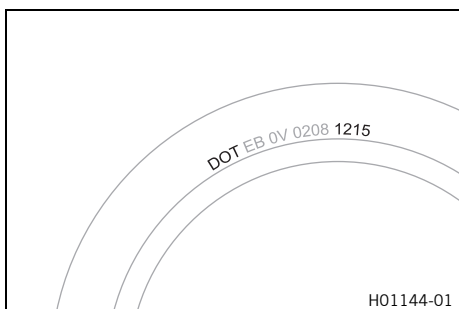
Only mount tires approved and/or recommended by KTM.
 Other tires could have a negative effect on handling characteristics.
 The type, condition, and air pressure of the tires all have a major impact on the handling of the motorcycle.
 The tires mounted on the front and rear wheels must have a similar profile.
 Worn tires have a negative effect on handling characteristics, especially on wet surfaces.



- Check the front and rear tires for cuts, run-in objects, and other damage.

» If the tires have cuts, run-in objects, or other damage:

- Change the tires. 🛠️



- Check the tire age.

i Info

The tire date of manufacture is usually contained in the tire label and is indicated by the last four digits of the **DOT** number. The first two digits indicate the week of manufacture and the last two digits the year of manufacture.

KTM recommends that the tires be changed after 5 years at the latest, regardless of the actual state of wear.

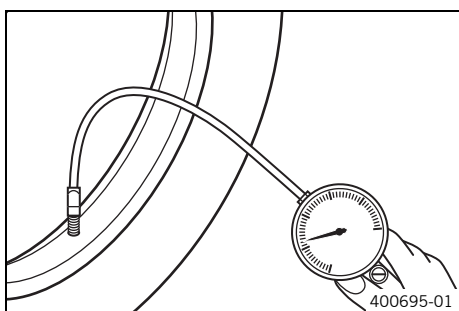
» If the tires are more than 5 years old:

- Change the tires. 🛠️

13.6 Checking the tire air pressure

i Info

Low tire air pressure leads to abnormal wear and overheating of the tire.
 Correct tire air pressure ensures optimal riding comfort and maximum tire service life.



- Remove the protection cap.
- Check the tire air pressure when the tires are cold.

Tire air pressure off road	
front	1.0 bar (15 psi)
rear	1.0 bar (15 psi)

» If the tire pressure does not meet specifications:

- Correct the tire pressure.

- Mount the protection cap.

13.7 Checking spoke tension

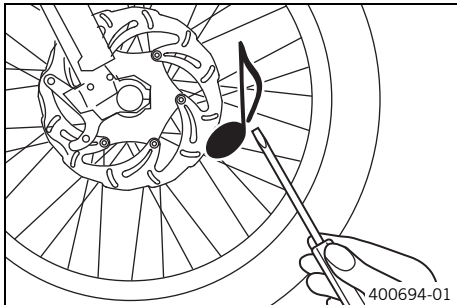


Warning

Danger of accidents Incorrectly tensioned spokes impair the handling characteristic and result in secondary damage.

The spokes break due to being overloaded if they are too tightly tensioned. If the tension in the spokes is too low, then lateral and radial run-out will form in the wheel. Other spokes will become looser as a result.

- Check spoke tension regularly, and in particular on a new vehicle. (Your authorized KTM workshop will be glad to help.)



- Strike each spoke briefly using a screwdriver blade.



Info

The frequency of the sound depends on the spoke length and spoke diameter. If you hear different tone frequencies from different spokes of equal length and diameter, this is an indication of different spoke tensions.

You should hear a high note.

- » If the spoke tension differs:
 - Correct the spoke tension. 🛠️
- Check the spoke torque.

Guideline

Spoke nipple, front wheel	M4.5	6 Nm (4.4 lbf ft)
Spoke nipple, rear wheel	M4.5	6 Nm (4.4 lbf ft)

Torque wrench set (58429094000)

14.1 Removing the battery



Caution

Danger of burns The voltage regulator gets very hot when the vehicle is driven.

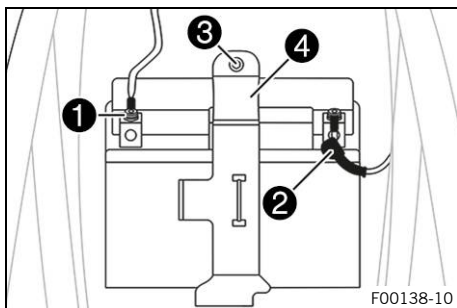
- Allow the voltage regulator to cool down before performing any work.



Note

Environmental hazard Batteries contain environmentally-hazardous materials.

- Do not dispose of batteries as household waste.
- Dispose of batteries at a collection point for used batteries.



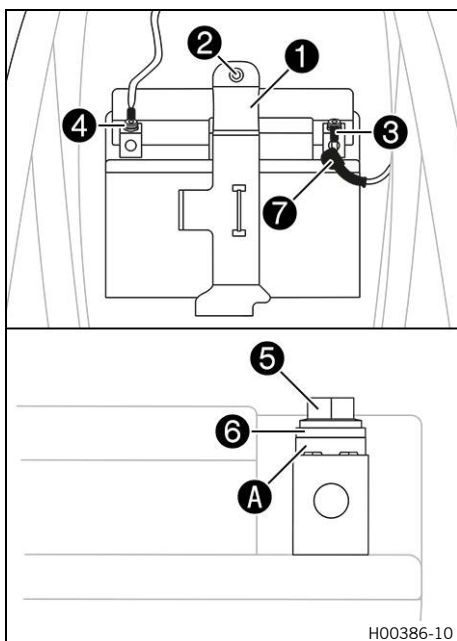
Preparatory work

- Press and hold the kill switch ☒ while the engine is idling until the engine stops.
- Remove the seat. (📖 p. 63)

Main work

- Hang the voltage regulator to one side.
- Disconnect negative cable ① from the battery.
- Pull back positive terminal cover ② and disconnect the positive cable from the battery.
- Remove screw ③.
- Pull holding bracket ④ forward and remove battery toward the top.

14.2 Installing the battery



Main work

- Insert the battery into the battery compartment with the terminals facing forward and secure with holding bracket ①.

Battery (HJTZ5S-FP-C) (📖 p. 131)

- Mount and tighten screw ②.

Guideline

Remaining screws, chassis	M6	10 Nm (7.4 lbf ft)
---------------------------	----	--------------------

- Connect positive cable ③ to the battery.

Guideline

Screw, battery terminal	M5	2.5 Nm (1.84 lbf ft)
-------------------------	----	----------------------

- Connect negative cable ④ to the battery.

Guideline

Screw, battery terminal	M5	2.5 Nm (1.84 lbf ft)
-------------------------	----	----------------------

Contact disks **A** must be mounted under screws ⑤ and cable sockets ⑥ with the claws toward the battery terminal.

- Slide positive terminal cover ⑦ over the positive terminal.
- Position the voltage regulator.

Finishing work

- Mount the seat. (📖 p. 64)

**14.3 Recharging the battery** 🗑️**Warning**

Risk of injury Batteries contain harmful substances.

- Keep batteries out of the reach of children.
- Keep sparks and open flames away from the batteries.
- Only charge batteries in well-ventilated rooms.
- Maintain a minimum clearance from inflammable materials when charging batteries.
Minimum clearance 1 m (3 ft)
- Do not charge deeply discharged batteries if charge is already below the minimum voltage.
Minimum voltage before the start of the charge 9 V
- Dispose of batteries with less than the minimum voltage correctly.

**Note**

Environmental hazard Batteries contain environmentally-hazardous materials.

- Do not dispose of batteries as household waste.
- Dispose of batteries at a collection point for used batteries.

**Info**

Even when there is no load on the battery, it discharges steadily.

The charging level and the method of charging are very important for the service life of the battery.

Rapid recharging with a high charging current shortens the service life of the battery.

If the charging current, charging voltage, or charging time are exceeded, the battery will be destroyed.

If the battery is depleted by repeated starting, the battery must be charged immediately.

If the battery is left in a discharged state for an extended period, it will become over-discharged and sulfated, destroying the battery.

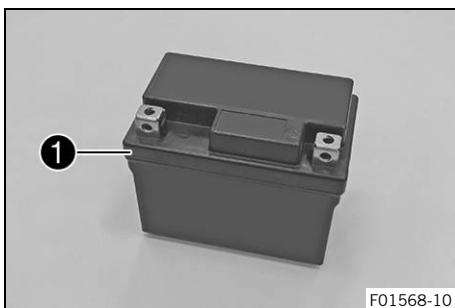
The battery is maintenance-free.

Preparatory work

- Press and hold the kill switch ☒ while the engine is idling until the engine stops.
- Remove the seat. (📖 p. 63)
- Remove the battery. 🗑️ (📖 p. 100)

Main work

- Check the battery voltage.
 - » Battery voltage: < 9 V
 - Do not charge the battery.
 - Replace the battery and dispose of the old battery properly.
 - » If the specifications have been met:
Battery voltage: ≥ 9 V
 - Connect the battery charger to the battery. Switch on the battery charger.



Guideline

The charging current, charging voltage, and charging duration must not be exceeded.	
Maximum charging voltage	14.4 V
Maximum charging current	3.0 A
Maximum charging time	24 h
Charge the battery regularly when the motorcycle is not in use	6 months



(EU) battery charger (79629974000)

Alternative 1

(US) battery charger (79629974500)


These battery chargers test whether the battery retains its voltage. It is also impossible to overcharge the battery with these battery chargers. The charging time may be longer at low temperatures.

These battery chargers are only suitable for lithium iron phosphate batteries. Read the accompanying **KTM PowerParts** instructions.

 **Info**
Never remove cover .

- Switch off the battery charger after charging and disconnect from the battery.

Finishing work

- Install the battery.  (📖 p. 100)
- Mount the seat. (📖 p. 64)

14.4 Changing the main fuse



Warning

Fire hazard Incorrect fuses overload the electrical system.

- Only use fuses with the required ampere value.
- Do not bypass or repair fuses.



Caution

Danger of burns The voltage regulator gets very hot when the vehicle is driven.


- Allow the voltage regulator to cool down before performing any work.



Info

The main fuse protects all power consumers of the vehicle. It is located in the starter relay housing under the seat.

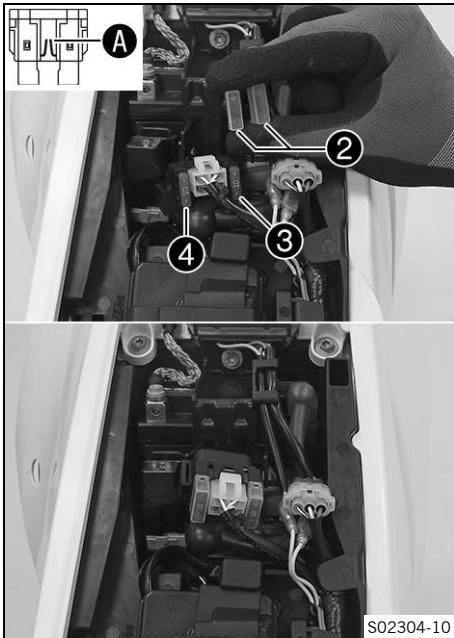
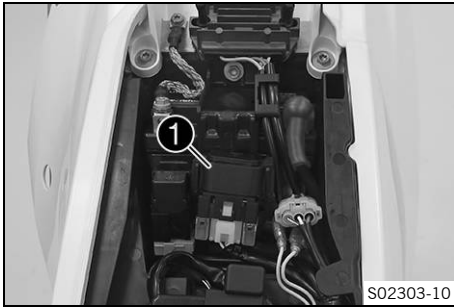
Preparatory work

- Press and hold the kill switch  while the engine is idling until the engine stops.

- Remove the seat. (🗨️ p. 63)

Main work

- Pull starter relay ❶ from the holder.



- Take off protection caps ❷.
- Remove faulty main fuse ❸.



Info

You can recognize a faulty fuse by a burned-out fuse wire **A**.

A spare fuse ❹ is located in the starter relay.

- Install a new main fuse.

Fuse (58011109110) (🗨️ p. 131)

- Check that the electrical system is functioning properly.



Tip

Insert a spare fuse so that it is available if needed.

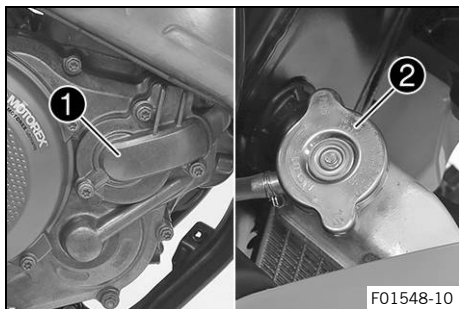
- Mount the protection caps.
- Mount the starter relay onto the holder and route the cable.

Finishing work

- Mount the seat. (🗨️ p. 64)



15.1 Cooling system



Water pump ① in the engine circulates the coolant. The pressure resulting from the warming of the cooling system is regulated by a valve in radiator cap ②. This ensures that operating the vehicle at the specified coolant temperature will not result in a risk of malfunctions.

120 °C (248 °F)

Cooling is effected by the air stream. The lower the speed, the less the cooling effect. Dirty cooling fins also reduce the cooling effect.

15.2 Checking the antifreeze and coolant level



Warning

Danger of scalding During motorcycle operation, the coolant gets very hot and is under pressure.

- Do not open the radiator, the radiator hoses or other cooling system components if the engine or the cooling system are at operating temperature.
- Allow the cooling system and the engine to cool down before you open the radiator, the radiator hoses or other components of the cooling system.
- In the event of scalding, rinse the area affected immediately with lukewarm water.



Warning

Danger of poisoning Coolant is toxic and a health hazard.

- Keep coolant out of the reach of children.
- Do not allow coolant to come into contact with the skin, the eyes and clothing.
- Consult a doctor immediately if coolant is swallowed.
- Rinse the affected area immediately with plenty of water in the event of contact with the skin.
- Rinse eyes thoroughly with water and consult a doctor immediately if coolant gets into the eyes.
- Change clothing if coolant spills onto your clothing.

Condition

The engine is cold.

- Stand the motorcycle upright on a horizontal surface.
- Remove the radiator cap.
- Check the antifreeze in the coolant.

-25 ... -45 °C (-13 ... -49 °F)

- » If the antifreeze in the coolant does not match the specified value:
 - Correct the antifreeze in the coolant.

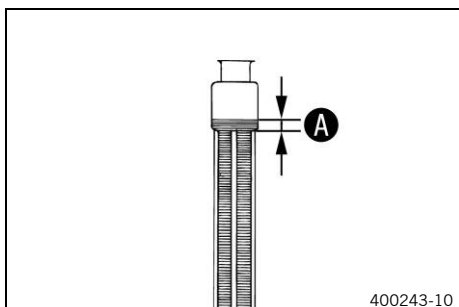
- Check the coolant level in the radiator.

Coolant level ① above the radiator fins	10 mm (0.39 in)
---	-----------------

- » If the coolant level does not match the specified value:
 - Correct the coolant level.

Coolant (📖 p. 138)

- Mount the radiator cap.



15.3 Checking the coolant level



Warning

Danger of scalding During motorcycle operation, the coolant gets very hot and is under pressure.

- Do not open the radiator, the radiator hoses or other cooling system components if the engine or the cooling system are at operating temperature.
- Allow the cooling system and the engine to cool down before you open the radiator, the radiator hoses or other components of the cooling system.
- In the event of scalding, rinse the area affected immediately with lukewarm water.



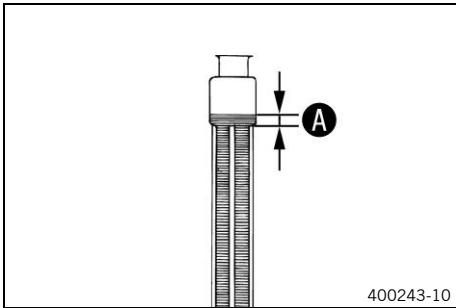
Warning

Danger of poisoning Coolant is toxic and a health hazard.

- Keep coolant out of the reach of children.
- Do not allow coolant to come into contact with the skin, the eyes and clothing.
- Consult a doctor immediately if coolant is swallowed.
- Rinse the affected area immediately with plenty of water in the event of contact with the skin.
- Rinse eyes thoroughly with water and consult a doctor immediately if coolant gets into the eyes.
- Change clothing if coolant spills onto your clothing.

Condition

The engine is cold.



- Stand the motorcycle upright on a horizontal surface.
- Remove the radiator cap.
- Check the coolant level in the radiator.

Coolant level A above the radiator fins	10 mm (0.39 in)
--	-----------------

- » If the coolant level does not match the specified value:
 - Correct the coolant level.

Coolant (📖 p. 138)

- Mount the radiator cap.



15.4 Draining the coolant 🐾



Warning

Danger of scalding During motorcycle operation, the coolant gets very hot and is under pressure.

- Do not open the radiator, the radiator hoses or other cooling system components if the engine or the cooling system are at operating temperature.
- Allow the cooling system and the engine to cool down before you open the radiator, the radiator hoses or other components of the cooling system.
- In the event of scalding, rinse the area affected immediately with lukewarm water.



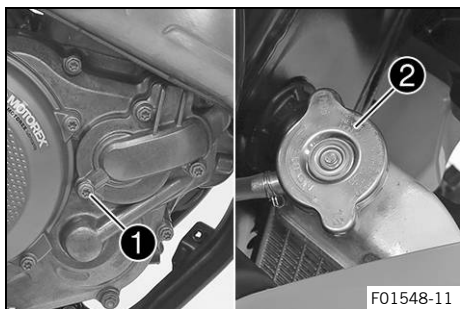
Warning

Danger of poisoning Coolant is toxic and a health hazard.

- Keep coolant out of the reach of children.
- Do not allow coolant to come into contact with the skin, the eyes and clothing.
- Consult a doctor immediately if coolant is swallowed.
- Rinse the affected area immediately with plenty of water in the event of contact with the skin.
- Rinse eyes thoroughly with water and consult a doctor immediately if coolant gets into the eyes.
- Change clothing if coolant spills onto your clothing.

Condition

The engine is cold.



- Position the motorcycle upright.
- Place a suitable container under the water pump cover.
- Remove screw **1**. Take off radiator cap **2**.
- Completely drain the coolant.
- Mount and tighten screw **1** with a new seal ring.

Guideline

Screw, water pump cover	M6	10 Nm (7.4 lbf ft)
-------------------------	----	--------------------

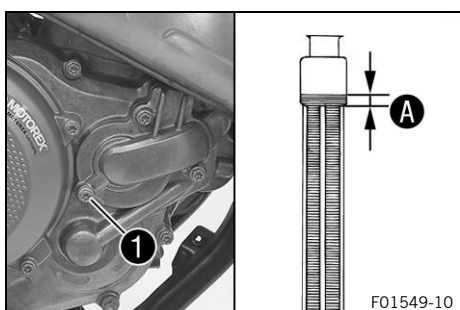
15.5 Refilling with coolant



Warning

Danger of poisoning Coolant is toxic and a health hazard.

- Keep coolant out of the reach of children.
- Do not allow coolant to come into contact with the skin, the eyes and clothing.
- Consult a doctor immediately if coolant is swallowed.
- Rinse the affected area immediately with plenty of water in the event of contact with the skin.
- Rinse eyes thoroughly with water and consult a doctor immediately if coolant gets into the eyes.
- Change clothing if coolant spills onto your clothing.



- Make sure that screw **1** is tightened.
- Position the motorcycle upright.
- Pour coolant in up to measurement **A** above the radiator fins.

Guideline

Distance A above the radiator fins	10 mm (0.39 in)
---	-----------------

Coolant	1.20 l (1.27 qt.)	Coolant (📖 p. 138)
---------	----------------------	--------------------

- Mount the radiator cap.
- Go for a short test ride.
- Check the coolant level. (📖 p. 105)

15.6 Changing the coolant



Warning

Danger of scalding During motorcycle operation, the coolant gets very hot and is under pressure.

- Do not open the radiator, the radiator hoses or other cooling system components if the engine or the cooling system are at operating temperature.
- Allow the cooling system and the engine to cool down before you open the radiator, the radiator hoses or other components of the cooling system.
- In the event of scalding, rinse the area affected immediately with lukewarm water.



Warning

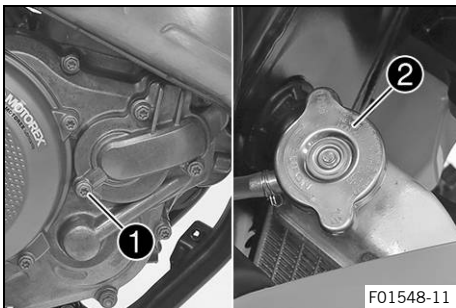
Danger of poisoning Coolant is toxic and a health hazard.

- Keep coolant out of the reach of children.
- Do not allow coolant to come into contact with the skin, the eyes and clothing.
- Consult a doctor immediately if coolant is swallowed.
- Rinse the affected area immediately with plenty of water in the event of contact with the skin.
- Rinse eyes thoroughly with water and consult a doctor immediately if coolant gets into the eyes.
- Change clothing if coolant spills onto your clothing.

Condition

The engine is cold.

- Position the motorcycle upright.
- Place a suitable container under the water pump cover.
- Remove screw ①. Take off radiator cap ②.
- Completely drain the coolant.



- Mount and tighten screw ① with a new seal ring.

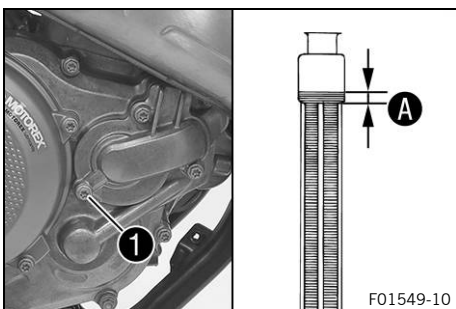
Guideline

Screw, water pump cover	M6	10 Nm (7.4 lbf ft)
-------------------------	----	--------------------

- Pour coolant in up to measurement A above the radiator fins.

Guideline

Distance A above the radiator fins	10 mm (0.39 in)
------------------------------------	-----------------

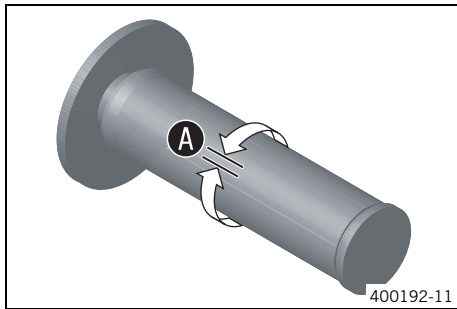


Coolant	1.20 l (1.27 qt.)	Coolant (📖 p. 138)
---------	----------------------	--------------------

- Mount the radiator cap.
- Go for a short test ride.
- Check the coolant level. (📖 p. 105)



16.1 Checking the play in the throttle cable



- Check the throttle grip for smooth operation.
- Move the handlebar to the straight-ahead position. Turn the throttle grip back and forth slightly and determine the play in throttle cable **A**.

Play in throttle cable	3 ... 5 mm (0.12 ... 0.2 in)
------------------------	------------------------------

- » If the throttle cable play does not meet the specified value:
 - Adjust the play in the throttle cable. 🛠️ (p. 108)
- Push the cold start button in all the way.

When the throttle grip is turned forward, the cold start button returns to its original position.

- » If the cold start button does not return to its original position:
 - Adjust the play in the throttle cable. 🛠️ (p. 108)



Danger

Danger of poisoning Exhaust gases are toxic and inhaling them may result in unconsciousness and death.

- Always make sure there is sufficient ventilation when running the engine.
- Use an effective exhaust extraction system when starting or running the engine in an enclosed space.

- Start the engine and let it run idle. Move the handlebar to and fro over the entire steering range.

The idle speed must not change.

- » If the idle speed changes:
 - Adjust the play in the throttle cable. 🛠️ (p. 108)

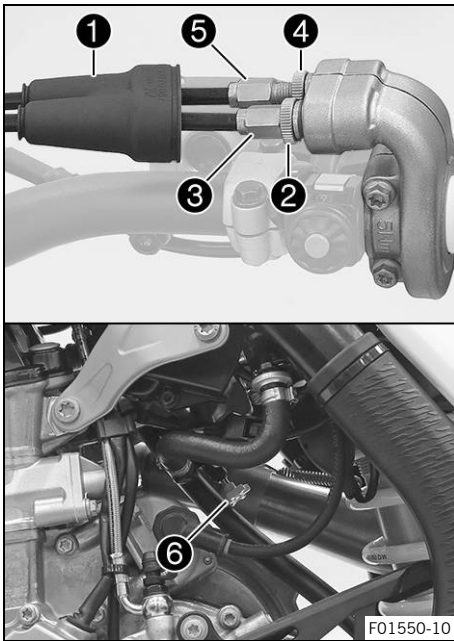
16.2 Adjusting the play in the throttle cable 🛠️

i Info

If the correct routing of the throttle cables has already been secured, the fuel tank does not need to be removed.

Preparatory work

- Remove the seat. (p. 63)
- Remove the fuel tank. 🛠️ (p. 69)
- Check the throttle cable routing. (p. 78)



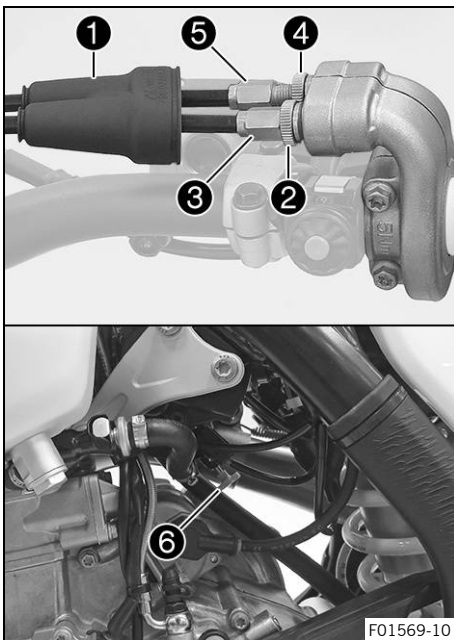
Main work
(All SX-F models)

- Move the handlebar to the straight-ahead position.
- Push back sleeve ①.
- Loosen nut ②.
- Turn adjusting screw ③ in as far as possible.
- Loosen nut ④.
- Push cold start button ⑥ all the way to the stop.
- Turn adjusting screw ⑤ so that the cold start button moves to the basic position when the throttle grip is turned to the front.
- Tighten nut ④.
- Turn adjusting screw ③ so that there is play in the throttle cable at the throttle grip.

Guideline

Play in throttle cable	3 ... 5 mm (0.12 ... 0.2 in)
------------------------	------------------------------

- Tighten nut ②.
- Slide on sleeve ①.
- Check the throttle grip for smooth operation.



(XC-F US)

- Move the handlebar to the straight-ahead position.
- Push back sleeve ①.
- Loosen nut ②.
- Turn adjusting screw ③ in as far as possible.
- Loosen nut ④.
- Push cold start button ⑥ all the way to the stop.
- Turn adjusting screw ⑤ so that the cold start button moves to the basic position when the throttle grip is turned to the front.
- Tighten nut ④.
- Turn adjusting screw ③ so that there is play in the throttle cable at the throttle grip.

Guideline

Play in throttle cable	3 ... 5 mm (0.12 ... 0.2 in)
------------------------	------------------------------

- Tighten nut ②.
- Slide on sleeve ①.
- Check the throttle grip for smooth operation.

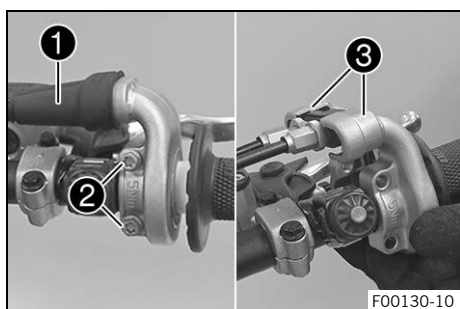
Finishing work

- Check the play in the throttle cable. (🔧 p. 108)

16.3 Adjusting the characteristic map of the throttle response ↻

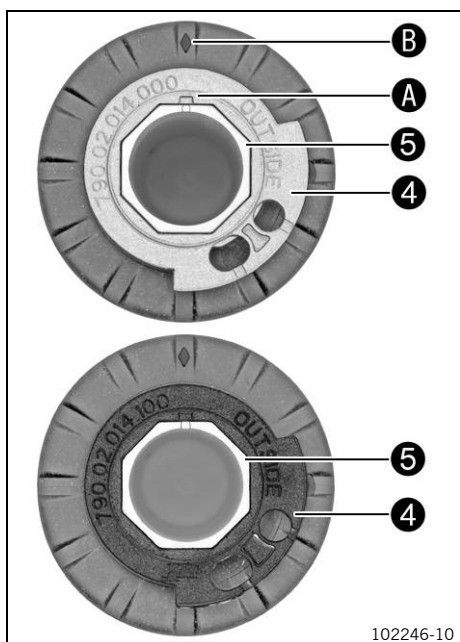
i Info

On the throttle grip, the characteristic map of the throttle response is changed by changing the guide plate.
A guide plate with a different characteristic map is supplied.



Main work

- Push back sleeve **1**.
- Remove screws **2** and half-shells **3**.
- Detach the throttle cables and take off the grip tube.



- Remove guide plate **4** from handle tube **5**.
- Position the required guide plate on the grip tube.

Guideline

The label **OUTSIDE** must be visible. Marking **A** must be positioned at marking **B**.

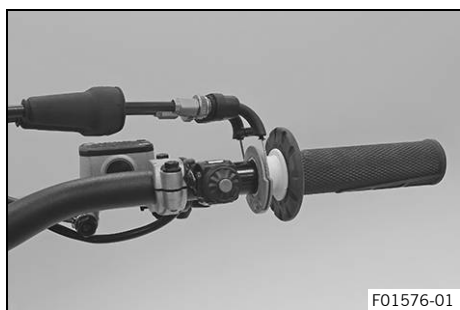
Grey guide plate (79002014000)

Alternative 1

Black guide plate (79002014100)

i Info

The gray guide plate opens the throttle valve more slowly.
The black guide plate opens the throttle valve more quickly.
The gray guide plate is mounted upon delivery.



- Clean the outside of the handlebar and the inside of the grip tube. Mount the grip tube on the handlebar.
- Attach the throttle cables to the guide plate and route correctly.
- Position half-shells **3**, mount and tighten screws **2**.

Guideline

Screw, throttle grip	M6	5 Nm (3.7 lbf ft)
----------------------	----	-------------------

- Slide on sleeve **1** and check the throttle grip for ease of movement.

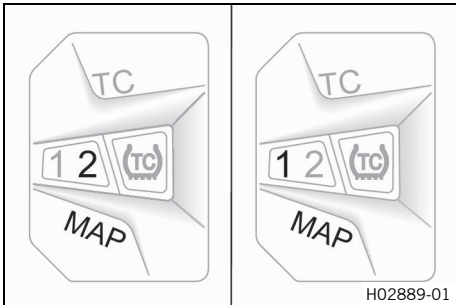
Finishing work

- Check the play in the throttle cable. (🗨 p. 108)

16.4 Changing the mapping

i Info

The desired engine characteristic can be activated via the **MAP** button on the combination switch. The setting most recently selected is activated again when restarting. The traction control can also be activated in each mapping using the **TC** button. The mapping can also be changed during the ride.



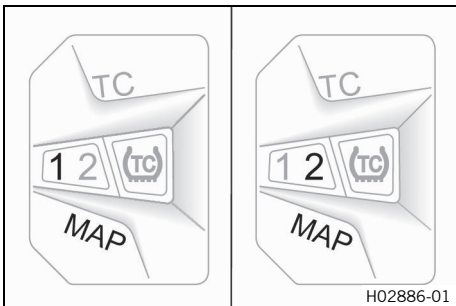
Activating STANDARD mapping:

- Press button **MAP** until LED 1 lights up.

Guideline

Engine speed	< 4,000 rpm
--------------	-------------

- ✓ STANDARD – balanced response



Activating ADVANCED mapping:

- Press button **MAP** until LED 2 lights up.

Guideline

Engine speed	< 4,000 rpm
--------------	-------------

- ✓ ADVANCED – direct response

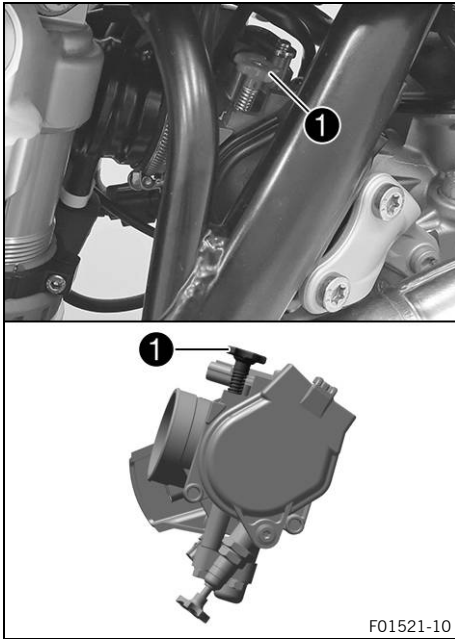
16.5 Adjusting the idle speed ↘



Warning

Danger of accidents The engine may go out spontaneously if the idle speed is set too low.

- Set the idle speed to the specified value. (Your authorized KTM workshop will be glad to help.)



- Run the engine until warm.
- ✓ The cold start button is deactivated – The cold start button is in its basic position. (🔊 p. 20)



Danger

Danger of poisoning Exhaust gases are toxic and inhaling them may result in unconsciousness and death.

- Always make sure there is sufficient ventilation when running the engine.
- Use an effective exhaust extraction system when starting or running the engine in an enclosed space.

- Set the idle speed by turning idle speed adjusting screw ①.

Guideline

Idle speed	2,250 ... 2,350 rpm
------------	---------------------

Tachometer (45129075000)



Info

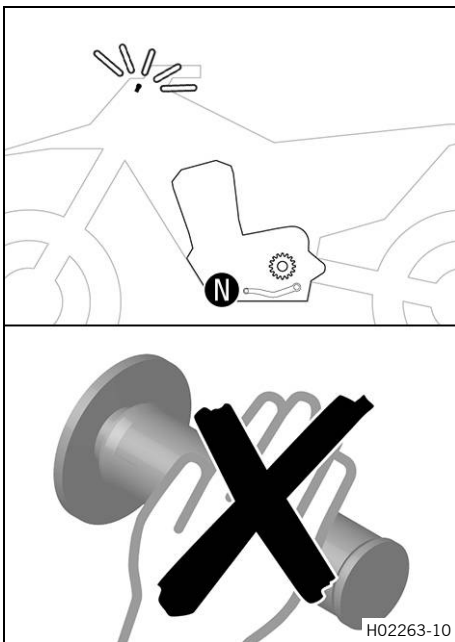
Turning counterclockwise lowers the idle speed. Turning clockwise raises the idle speed.

16.6 Teaching the throttle valve position



Info

If the control unit detects that the throttle valve idle position needs to be retaught, then the malfunction indicator lamp flashes 2x per second.



Danger

Danger of poisoning Exhaust gases are toxic and inhaling them may result in unconsciousness and death.

- Always make sure there is sufficient ventilation when running the engine.
- Use an effective exhaust extraction system when starting or running the engine in an enclosed space.

- Allow the vehicle to idle.
- ✓ The malfunction indicator lamp stops flashing once teaching is completed.



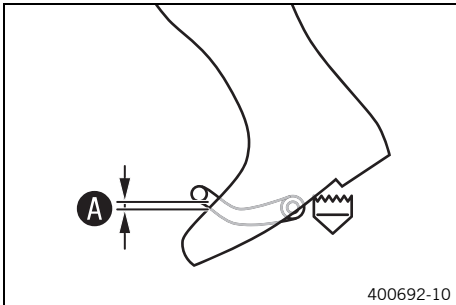
Info

If the engine becomes too hot, perform a cool-down ride at medium revs. Then do not switch off the engine after this, but leave it running at idle speed until teaching is completed.

16.7 Checking the basic position of the shift lever

Info

When driving, the shift lever must not touch the rider's boot when in the basic position. When the shift lever keeps touching the boot, the transmission will be subject to an excessive load.

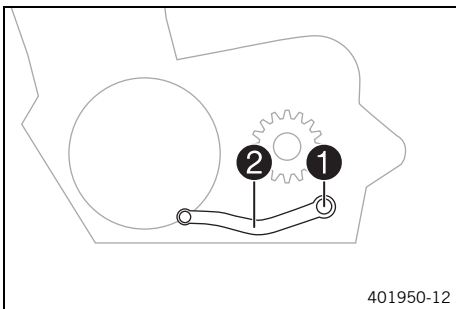


- Sit on the vehicle in the riding position and determine distance **A** between the upper edge of your boot and the shift lever.

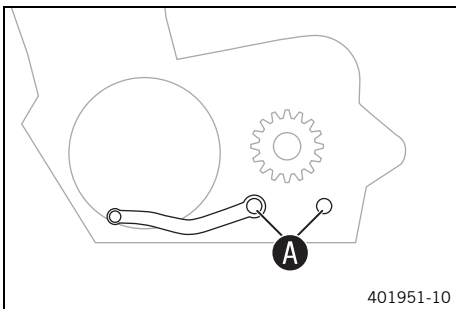
Distance between shift lever and upper edge of boot	10 ... 20 mm (0.39 ... 0.79 in)
---	---------------------------------

- » If the distance does not meet specifications:
 - Set the basic position of the shift lever. 🛠️ (p. 113)

16.8 Adjusting the basic position of the shift lever 🛠️



- Remove screw **1** with the washers and take off shift lever **2**.



- Clean gear teeth **A** of the shift lever and shift shaft.
- Mount the shift lever on the shift shaft in the required position and engage the gearing.

Info

The range of adjustment is limited. The shift lever must not come into contact with any other vehicle components during the shift procedure.

- Mount and tighten screw **1** with washers.

Guideline

Screw, shift lever	M6	14 Nm (10.3 lbf ft) Loctite®243™
--------------------	----	--

17.1 Changing the fuel screen ↩



Danger

Fire hazard Fuel is highly flammable.

The fuel in the fuel tank expands when warm and can escape if overfilled.

- Do not refuel the vehicle in the vicinity of open flames or lit cigarettes.
- Switch off the engine for refueling.
- Make sure that no fuel is spilled; particularly not on hot parts of the vehicle.
- If any fuel is spilled, wipe it off immediately.
- Observe the specifications for refueling.



Warning

Danger of poisoning Fuel is poisonous and a health hazard.

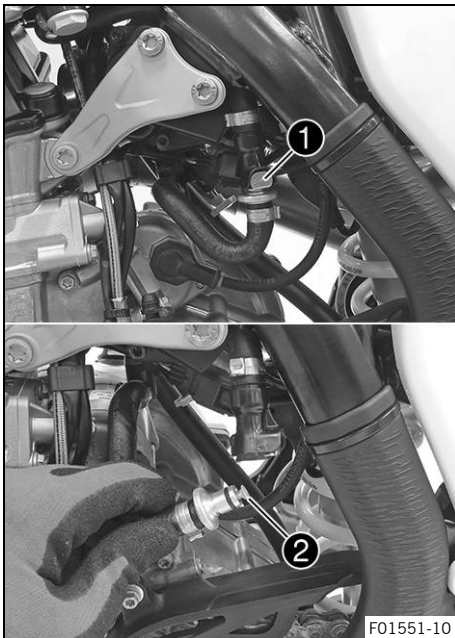
- Avoid skin, eye and clothing contact with fuel.
- Immediately consult a doctor if you swallow fuel.
- Do not inhale fuel vapors.
- In case of skin contact, rinse the affected area with plenty of water.
- Rinse the eyes thoroughly with water, and consult a doctor in case of fuel contact with the eyes.
- Change your clothing in case of fuel spills on them.



Note

Environmental hazard Improper handling of fuel is a danger to the environment.

- Do not allow fuel to enter the groundwater, the soil, or the sewage system.



(All SX-F models)

- Clean plug-in connection **1** of the fuel line thoroughly with compressed air.



Info

Under no circumstances should dirt enter into the fuel line. Dirt in the fuel line clogs the injection valve!

- Disconnect the plug-in connection of the fuel line.



Info

Remaining fuel may flow out of the fuel hose.

- Pull fuel screen **2** out of the connecting piece.
- Insert the new fuel screen all the way into the connecting piece.
- Lubricate the O-ring and connect plug-in connection of the fuel line.



Danger

Danger of poisoning Exhaust gases are toxic and inhaling them may result in unconsciousness and death.

- Always make sure there is sufficient ventilation when running the engine.
- Use an effective exhaust extraction system when starting or running the engine in an enclosed space.

- Start the engine and check the response.

(XC-F US)

- Clean plug-in connection ① of the fuel line thoroughly with compressed air.



Info

Under no circumstances should dirt enter into the fuel line. Dirt in the fuel line clogs the injection valve!

- Disconnect the plug-in connection of the fuel line.



Info

Remaining fuel may flow out of the fuel hose.

- Pull fuel screen ② out of the connecting piece.
- Insert the new fuel screen all the way into the connecting piece.
- Lubricate the O-ring and connect plug-in connection of the fuel line.

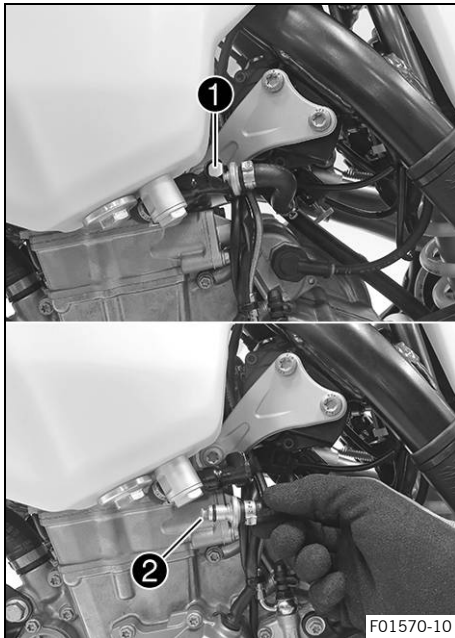


Danger

Danger of poisoning Exhaust gases are toxic and inhaling them may result in unconsciousness and death.

- Always make sure there is sufficient ventilation when running the engine.
- Use an effective exhaust extraction system when starting or running the engine in an enclosed space.

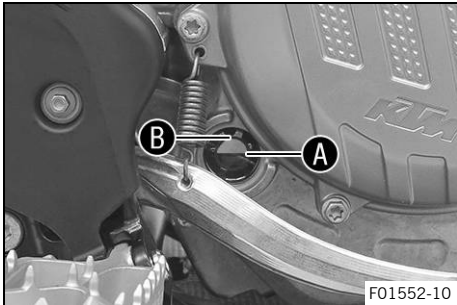
- Start the engine and check the response.



17.2 Checking the engine oil level

i Info

The engine oil level can be checked when the engine is cold or warm.



Preparatory work

- Stand the motorcycle upright on a horizontal surface.

Condition

The engine is cold.

- Check the engine oil level.

The engine oil reaches the middle of level viewer **A**.

- » If the engine oil does not reach the middle of the level viewer:
 - Add engine oil. (📖 p. 119)

Condition

The engine is at operating temperature.

- Check the engine oil level.

i Info

After switching off the engine, wait one minute before checking the level.

The engine oil level is between the middle of the level viewer **A** and the upper edge of the level viewer **B**.

- » If the engine oil does not reach the middle of level viewer **A**:
 - Add engine oil. (📖 p. 119)

17.3 Changing the engine oil and oil filter, cleaning the oil screens 🛠️



Warning

Danger of scalding Engine and gear oil get very hot when the motorcycle is ridden.

- Wear suitable protective clothing and safety gloves.
- In the event of scalding, rinse the area affected immediately with lukewarm water.



Note

Environmental hazard Hazardous substances cause environmental damage.

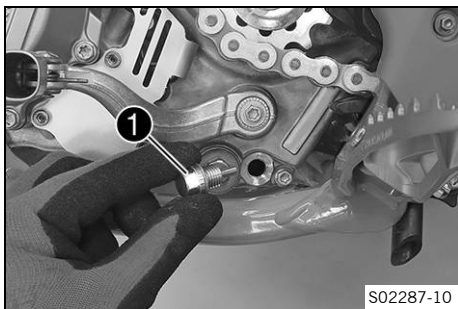
- Dispose of oils, grease, filters, fuel, cleaning agents, brake fluid, etc., correctly and in compliance with the applicable regulations.

i Info

Drain the engine oil while the engine is at operating temperature.

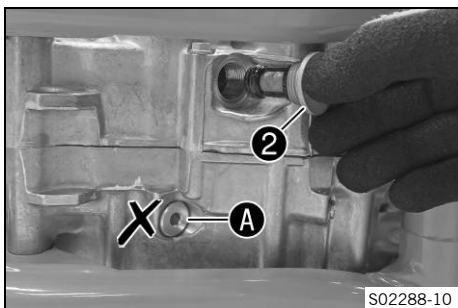
Preparatory work

- Park the motorcycle on a level surface.



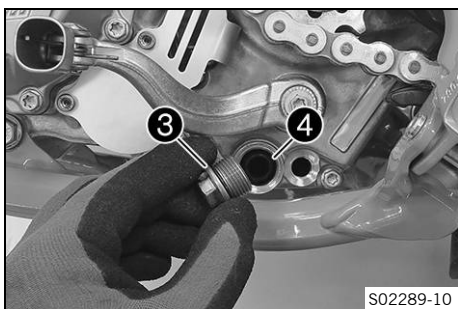
Main work

- Place a suitable container under the engine.
- Remove oil drain plug 1 with the magnet and seal ring.

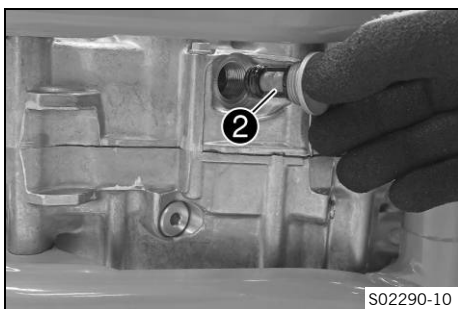


- Remove screw plug 2 with the short oil screen and the O-rings.

i Info
Do not remove screw A.



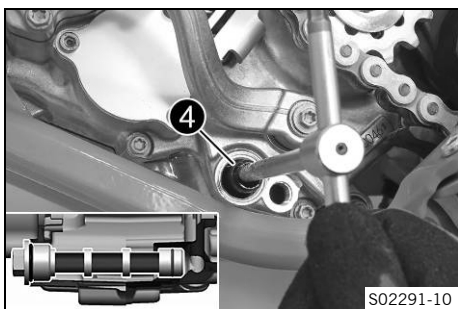
- Remove screw plug 3 with the long oil screen 4 and the O-rings.
- Completely drain the engine oil.
- Thoroughly clean the parts and sealing surfaces.



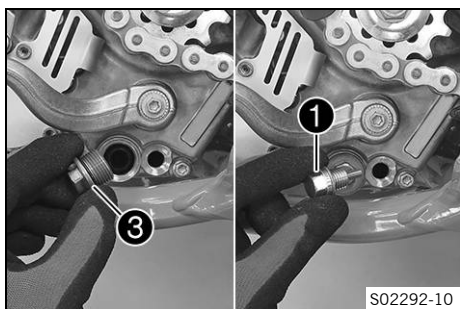
- Mount and tighten screw plug 2 with the short oil screen and the O-rings.

Guideline

Screw plug, oil screen	M20x1.5	15 Nm (11.1 lbf ft)
------------------------	---------	---------------------



- Position long oil screen 4 with the O-rings on a pin wrench.
- Position the pin wrench through the drill hole of the screw plug in the opposite section of the engine case.
- Push the oil screen all the way into the engine case.



- Mount and tighten screw plug **3** with the O-ring.

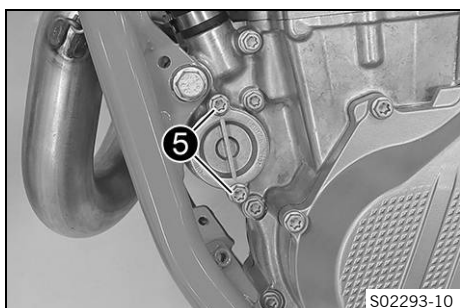
Guideline

Screw plug, oil screen	M20x1.5	15 Nm (11.1 lbf ft)
------------------------	---------	---------------------

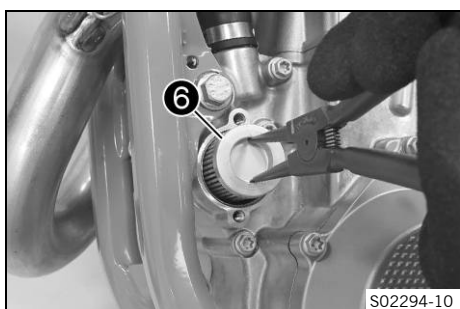
- Mount and tighten oil drain plug **1** with the magnet and a new seal ring.

Guideline

Oil drain plug with magnet	M12x1.5	20 Nm (14.8 lbf ft)
----------------------------	---------	---------------------



- Remove screws **5**. Remove the oil filter cover with the O-ring.



- Pull oil filter **6** out of the oil filter housing.

Lock ring plier (51012011000)

- Completely drain the engine oil.
- Thoroughly clean the parts and sealing surfaces.



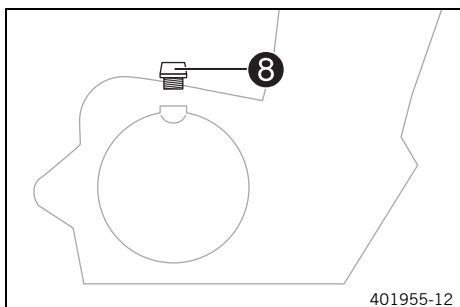
- Lay the motorcycle on its side and fill the oil filter housing to about 1/3 full with engine oil.
- Place the oil filter into the housing.
- Lubricate the O-ring of the oil filter cover and mount it with the oil filter cover **7**.
- Mount and tighten screws.

Guideline

Screw, oil filter cover	M6	10 Nm (7.4 lbf ft)
-------------------------	----	--------------------

- Stand the motorcycle upright.
- Remove filler plug **8** from the clutch cover together with the O-ring, and fill up with engine oil.

Engine oil	1.20 l (1.27 qt.)	Engine oil (SAE 10W/50) (📖 p. 138)
------------	----------------------	--



i Info

Too little engine oil or poor-quality engine oil will result in premature wear of the engine.

- Mount and tighten the filler plug together with the O-ring.



Danger

Danger of poisoning Exhaust gases are toxic and inhaling them may result in unconsciousness and death.

- Always make sure there is sufficient ventilation when running the engine.
- Use an effective exhaust extraction system when starting or running the engine in an enclosed space.

- Start the engine and check for tightness.

Finishing work

- Check the engine oil level. (📖 p. 116)

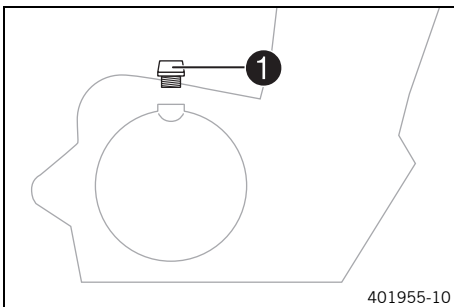


17.4 Adding engine oil



Info

Too little engine oil or poor-quality engine oil results in premature wear of the engine.



- Remove oil filler plug ① with the O-ring from the clutch cover.
- Add the same engine oil used when the last oil change was carried out.

Engine oil (SAE 10W/50) (📖 p. 138)



Info

For optimal performance of the engine oil, do not mix different types of engine oil. We recommend changing the engine oil when necessary.

- Install and tighten the oil filler plug with O-ring.



Danger

Danger of poisoning Exhaust gases are toxic and inhaling them may result in unconsciousness and death.

- Always make sure there is sufficient ventilation when running the engine.
- Use an effective exhaust extraction system when starting or running the engine in an enclosed space.

- Start the engine and check that it is oil-tight.



18.1 Cleaning the motorcycle

Note

Material damage Components become damaged or destroyed if a pressure cleaner is used incorrectly. The high pressure forces water into the electrical components, connectors, throttle cables, and bearings, etc. Pressure which is too high causes malfunctions and destroys components.

- Do not direct the water jet directly on to electrical components, connectors, throttle cables or bearings.
- Maintain a minimum distance between the nozzle of the pressure cleaner and the component.
Minimum clearance 60 cm (23.6 in)



Note

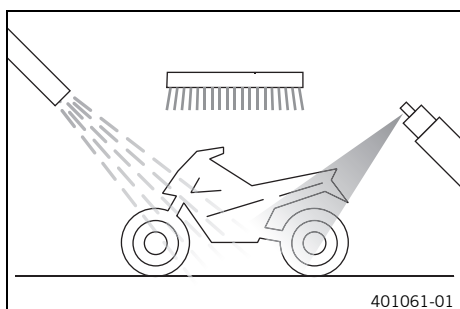
Environmental hazard Hazardous substances cause environmental damage.

- Dispose of oils, grease, filters, fuel, cleaning agents, brake fluid, etc., correctly and in compliance with the applicable regulations.



Info

If you clean the motorcycle regularly, its value and appearance will be maintained over a long period. Avoid direct sunshine on the motorcycle during cleaning.



- Close off the exhaust system to prevent water from entering.
- First remove coarse dirt particles with a gentle spray of water.
- Spray very dirty areas with a normal motorcycle cleaner and then clean with a paintbrush.

Motorcycle cleaner (📖 p. 140)



Info

Use warm water containing normal motorcycle cleaner and a soft sponge. Never apply motorcycle cleaner to the dry vehicle; always rinse with water first.

- After rinsing the motorcycle with a gentle spray of water, allow it to dry thoroughly.
- Remove the plug from the exhaust system.



Warning

Danger of accidents Moisture and dirt impair the brake system.

- Brake carefully several times to dry out and remove dirt from the brake linings and the brake discs.

- After cleaning, ride a short distance until the engine reaches operating temperature.



Info

The heat produced causes water at inaccessible locations in the engine and the brake system to evaporate.

- Push back the protection caps of the handlebar controls to allow any water that has penetrated to evaporate.

- After the motorcycle has cooled off, lubricate all moving parts and bearings.
- Clean the chain. (📖 p. 73)
- Treat bare metal parts (except for brake discs and the exhaust system) with a corrosion inhibitor.

Preserving materials for paints, metal and rubber
(📖 p. 141)

- Treat all plastic parts and powder-coated parts with a mild cleaning and care agent.

Special cleaner for glossy and matte paint finishes, metal and plastic surfaces (📖 p. 141)



19.1 Storage



Warning

Danger of poisoning Fuel is poisonous and a health hazard.

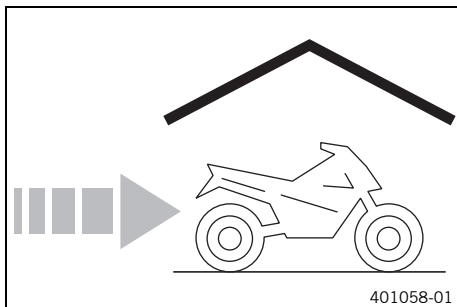
- Avoid skin, eye and clothing contact with fuel.
- Immediately consult a doctor if you swallow fuel.
- Do not inhale fuel vapors.
- In case of skin contact, rinse the affected area with plenty of water.
- Rinse the eyes thoroughly with water, and consult a doctor in case of fuel contact with the eyes.
- Change your clothing in case of fuel spills on them.
- Keep fuels correctly in a suitable canister, and out of the reach of children.



Info

If you plan to garage the motorcycle for a longer period, perform the following steps or have them performed.

Before storing the motorcycle, check all parts for function and wear. If service, repairs, or replacements are necessary, you should do this during the storage period (less workshop overload). In this way, you can avoid long workshop waiting times at the start of the new season.



- When refueling for the last time before taking the motorcycle out of service, add fuel additive.

Fuel additive (📖 p. 140)

- Refuel. (📖 p. 33)
- Clean the motorcycle. (📖 p. 120)
- Change the engine oil and oil filter and clean the oil screens. 🛠️ (📖 p. 116)
- Check the antifreeze and coolant level. (📖 p. 104)
- Check the tire air pressure. (📖 p. 98)
- Remove the battery. 🛠️ (📖 p. 100)
- Recharge the battery. 🛠️ (📖 p. 101)

Guideline

Ideal charging and storage temperature of the lithium-ion battery	10 ... 20 °C (50 ... 68 °F)
---	-----------------------------

- Store the vehicle in a dry location that is not subject to large fluctuations in temperature.



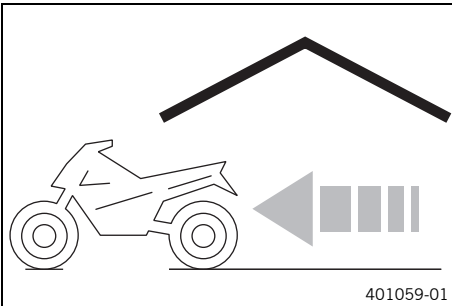
Info

KTM recommends jacking up the motorcycle.

- Raise the motorcycle with a lift stand. (📖 p. 50)
- Cover the vehicle with a tarp or similar cover that is permeable to air.

**Info**










Do not use non-porous materials since they prevent humidity from escaping, thus causing corrosion. Avoid running the engine for a short time only. Since the engine cannot warm up properly, the water vapor produced during combustion condenses and causes valves and the exhaust system to rust.






19.2 Preparing for use after storage

- Install the battery. (📖 p. 100)
- Remove the motorcycle from the lift stand. (📖 p. 50)
- Perform checks and maintenance measures when preparing for use. (📖 p. 28)
- Make a test ride.

Faults	Possible cause	Action
The engine does not turn when the starter button is pressed	Operating error	– Carry out the start procedure. (📖 p. 28)
	Battery is discharged	– Recharge the battery. 🛠️ (📖 p. 101) – Check the charging voltage. 🛠️ – Check the open-circuit current. 🛠️ – Check the stator winding of the alternator. 🛠️
	Main fuse blown	– Change the main fuse. (📖 p. 102)
	Starter relay defective	– Check the starter relay. 🛠️
	Starter motor defective	– Check the starter motor. 🛠️
Engine turns but does not start	The plug-in connection of the fuel hose connection is not connected	– Connect the plug-in connection of the fuel line.
	Fuel screen in the fuel hose connection is clogged	– Change the fuel screen. 🛠️ (📖 p. 114)
	Idle speed is not set correctly	– Adjust the idle speed. 🛠️ (📖 p. 111)
	Spark plug oily or wet	– Clean and dry the spark plug, or change it if necessary.
	Electrode distance (plug gap) of spark plug too wide	– Adjust the plug gap. Guideline Spark plug electrode gap 0.8 mm (0.031 in)
	Short circuit cable in wiring harness frayed, kill switch defective	– Check the wiring harness. (visual check) – Check the electrical system.
	Defect in fuel injection system	– Read out the fault memory using the KTM diagnostics tool. 🛠️
Engine does not speed up	Defect in fuel injection system – Read out the fault memory using the KTM diagnostics tool. 🛠️	
Engine has too little power	Air filter is very dirty	– Clean the air filter and air filter box. 🛠️ (📖 p. 66)
	Fuel filter is very dirty	– Change the fuel filter. 🛠️
	Defect in fuel injection system	– Read out the fault memory using the KTM diagnostics tool. 🛠️
	Exhaust system leaky, deformed or too little glass fiber yarn filling in main silencer	– Check exhaust system for damage. – Change the glass fiber yarn filling of the main silencer. 🛠️ (📖 p. 68)
	Valve clearance too little	– Adjust the valve clearance. 🛠️
Engine dies during the trip	Lack of fuel – Refuel. (📖 p. 33)	
Engine overheats	Too little coolant in cooling system	– Check the cooling system for leakage. – Check the coolant level. (📖 p. 105)
	Too little air stream	– Switch off the engine when standing.
	Radiator fins very dirty	– Clean radiator fins.
	Foam formation in cooling system	– Drain the coolant. 🛠️ (📖 p. 105) – Refill with coolant. 🛠️ (📖 p. 106)
	Bent radiator hose	– Change the radiator hose. 🛠️

Faults	Possible cause	Action
Malfunction indicator lamp lights up or flashes	Defect in the fuel injection system	<ul style="list-style-type: none"> – Check the cabling for damage and the electrical plug-in connections for corrosion and damage. – Read out the fault memory using the KTM diagnostics tool. 🛠️
High oil consumption	Engine vent hose bent	– Route the vent hose without bends or change it if necessary.
	Engine oil level too high	– Check the engine oil level. (📖 p. 116)
	Engine oil too thin (low viscosity)	– Change the engine oil and oil filter and clean the oil screens. 🛠️ (📖 p. 116)
	Piston or cylinder worn	– Measure the piston/cylinder mounting clearance.
Battery is discharged	Battery is not charging	<ul style="list-style-type: none"> – Check the charging voltage. 🛠️ – Check the stator winding of the alternator. 🛠️
	Unwanted power consumer	– Check the open-circuit current. 🛠️

Blink code for malfunction indicator lamp	 02a Malfunction indicator lamp flashes 2x per second
Error level condition	Teaching of throttle valve position required
Blink code for malfunction indicator lamp	 02 Malfunction indicator lamp flashes 2x short
Error level condition	Crankshaft position sensor - circuit fault
Blink code for malfunction indicator lamp	 06 Malfunction indicator lamp flashes 6x short
Error level condition	Throttle valve position sensor circuit A – circuit fault
	Throttle valve position sensor circuit A – input signal too high
Blink code for malfunction indicator lamp	 09 Malfunction indicator lamp flashes 9x short
Error level condition	Manifold absolute pressure sensor cylinder 1 lambda sensor – circuit fault
	Manifold absolute pressure sensor cylinder 1 – input signal too low
Blink code for malfunction indicator lamp	 12 Malfunction indicator lamp flashes 1x long, 2x short
Error level condition	Coolant temperature sensor – circuit fault
	Coolant temperature sensor – input signal too low
Blink code for malfunction indicator lamp	 13 Malfunction indicator lamp flashes 1x long, 3x short
Error level condition	Temperature sensor intake air – circuit fault
	Intake air temperature sensor - input signal too low
Blink code for malfunction indicator lamp	 15 Malfunction indicator lamp flashes 1x long, 5x short
Error level condition	Rollover sensor (A/D type) – input signal too low
	Rollover sensor (A/D type) – input signal too high
Blink code for malfunction indicator lamp	 21 Malfunction indicator lamp flashes 2x long, 1x short
Error level condition	Battery voltage – input voltage too high
Blink code for malfunction indicator lamp	 22 Malfunction indicator lamp flashes 2x long, 2x short
Error level condition	Gear position sensor - circuit fault
	Gear position sensor – input signal too high
	Gear position sensor – malfunction

Blink code for malfunction indicator lamp	 33 Malfunction indicator lamp flashes 3x long, 3x short
Error level condition	Injection valve cylinder 1 – circuit fault
Blink code for malfunction indicator lamp	 37 Malfunction indicator lamp flashes 3x long, 7x short
Error level condition	Ignition coil – circuit fault
Blink code for malfunction indicator lamp	 41 Malfunction indicator lamp flashes 4x long, 1x short
Error level condition	Fuel pump controller - short circuit to ground/open circuit
	Open/short circuit to plus
Blink code for malfunction indicator lamp	 65 Malfunction indicator lamp flashes 6x long, 5x short
Error level condition	E ² PROM error
Blink code for malfunction indicator lamp	 Malfunction indicator lamp flashes continuously
Error level condition	THREF – malfunction

22.1 Engine

Design	1-cylinder 4-stroke engine, water-cooled
Displacement	449.9 cm ³ (27.455 cu in)
Stroke	63.4 mm (2.496 in)
Bore	95 mm (3.74 in)
Compression ratio	12.75:1
Idle speed	2,250 ... 2,350 rpm
Control	OHC, 4 valves controlled via rocker arm
Valve diameter, intake	40 mm (1.57 in)
Valve diameter, exhaust	33 mm (1.3 in)
Valve clearance	
Intake at: 20 °C (68 °F)	0.10 ... 0.15 mm (0.0039 ... 0.0059 in)
Exhaust at: 20 °C (68 °F)	0.12 ... 0.17 mm (0.0047 ... 0.0067 in)
Crankshaft bearing	2 cylinder roller bearing
Conrod bearing	Slide bearing
Piston pin bearing	Not a bearing bush - DLC-plated piston pins
Pistons	Forged light alloy
Piston rings	1 compression ring, 1 oil scraper ring
Engine lubrication	Pressure circulation lubrication with two Eaton pumps
Primary transmission	31:76
Clutch	Multidisc clutch in oil bath, hydraulically activated
Gearbox (SX-F EU)	4-gear, claw shifted
Gearbox (SX-F US, XC-F US)	5-gear, claw shifted
Transmission ratio (SX-F EU)	
First gear	16:32
Second gear	18:30
Third gear	20:28
Fourth gear	22:26
Transmission ratio (SX-F US, XC-F US)	
First gear	16:32
Second gear	18:30
Third gear	20:28
Fourth gear	22:26
Fifth gear	24:24
Alternator	12 V, 70 W
Ignition	Contactless controlled fully electronic ignition with digital ignition adjustment
Spark plug	NGK LMAR9AI-8
Spark plug electrode gap	0.8 mm (0.031 in)
Cooling	Water cooling, permanent circulation of coolant by water pump
Starting aid	Electric starter

22.2 Engine tightening torques

Screw, oil jet for piston cooling	M4	2 Nm (1.5 lbf ft)	Loctite®243™
Oil nozzle for clutch lubrication	M5	2 Nm (1.5 lbf ft)	Loctite®243™
Oil nozzle for timing chain lubrication	M5	2 Nm (1.5 lbf ft)	Loctite®243™
Oil nozzle, piston cooling	M5	2 Nm (1.5 lbf ft)	Loctite®243™
Oil nozzle, rocker arm lubrication	M5	2 Nm (1.5 lbf ft)	Loctite®243™
Pulse generator screw and cable retainer	M5	6 Nm (4.4 lbf ft)	Loctite®243™
Screw, bearing retainer	M5	6 Nm (4.4 lbf ft)	Loctite®243™
Screw, clutch spring retainer	M5	6 Nm (4.4 lbf ft)	
Screw, gear position sensor	M5	5 Nm (3.7 lbf ft)	Loctite®243™
Screw, locking lever	M5	6 Nm (4.4 lbf ft)	Loctite®243™
Screw, stator	M5	6 Nm (4.4 lbf ft)	Loctite®243™
Screw, suction pump cover	M5	6 Nm (4.4 lbf ft)	Loctite®243™
Nut, water pump impeller	M6	6 Nm (4.4 lbf ft)	Loctite®243™
Screw, alternator cover	M6	10 Nm (7.4 lbf ft)	
Screw, clutch cover	M6	10 Nm (7.4 lbf ft)	
Screw, cylinder head	M6	10 Nm (7.4 lbf ft)	
Screw, engine case	M6	10 Nm (7.4 lbf ft)	
Screw, exhaust flange	M6	10 Nm (7.4 lbf ft)	Loctite®243™
Screw, oil filter cover	M6	10 Nm (7.4 lbf ft)	
Screw, pressure pump cover	M6	10 Nm (7.4 lbf ft)	Loctite®243™
Screw, shift drum locating	M6	10 Nm (7.4 lbf ft)	Loctite®243™
Screw, shift lever	M6	14 Nm (10.3 lbf ft)	Loctite®243™
Screw, starter motor	M6	10 Nm (7.4 lbf ft)	
Screw, timing chain securing guide	M6	10 Nm (7.4 lbf ft)	Loctite®243™
Screw, timing chain tensioner	M6	10 Nm (7.4 lbf ft)	
Screw, timing chain tensioning rail	M6	10 Nm (7.4 lbf ft)	Loctite®243™
Screw, torque governor	M6	10 Nm (7.4 lbf ft)	Loctite®243™
Screw, valve cover	M6	10 Nm (7.4 lbf ft)	
Screw, water pump cover	M6	10 Nm (7.4 lbf ft)	

Oil nozzle for conrod bearing lubrication	M6x0.75	2 Nm (1.5 lbf ft)
Plug, oil channel	M7	9 Nm (6.6 lbf ft) Loctite®243™
Screw, rocker arm bearing	M7	15 Nm (11.1 lbf ft)
Plug, timing chain tensioner	M8	8 Nm (5.9 lbf ft)
Screw plug, crankshaft location	M8	10 Nm (7.4 lbf ft)
Plug, oil channel	M10	15 Nm (11.1 lbf ft) Loctite®243™
Screw, engine sprocket	M10	60 Nm (44.3 lbf ft) Loctite®2701™
Spark plug	M10x1	10 ... 12 Nm (7.4 ... 8.9 lbf ft)
Engine coolant temperature sensor	M10x1.25	12 Nm (8.9 lbf ft)
Screw, cylinder head	M10x1.25	1st stage 10 Nm (7.4 lbf ft) 2nd stage 30 Nm (22.1 lbf ft) 3rd stage 50 Nm (36.9 lbf ft) Collar and thread oiled
Nut, rotor	M12x1	60 Nm (44.3 lbf ft) Thread, oiled with engine oil/cone degreased
Oil drain plug with magnet	M12x1.5	20 Nm (14.8 lbf ft)
Plug, oil pressure regulator valve	M12x1.5	20 Nm (14.8 lbf ft)
Nut, inner clutch hub	M18x1.5	80 Nm (59 lbf ft)
Nut, primary gear	M20LHx1.5	100 Nm (73.8 lbf ft) Loctite®243™
Screw plug, oil screen	M20x1.5	15 Nm (11.1 lbf ft)

22.3 Capacities

22.3.1 Engine oil

Engine oil	1.20 l (1.27 qt.)	Engine oil (SAE 10W/50) (📖 p. 138)
------------	-------------------	---------------------------------------

22.3.2 Coolant

Coolant	1.20 l (1.27 qt.)	Coolant (📖 p. 138)
---------	-------------------	--------------------

22.3.3 Fuel

Total fuel tank capacity, approx. (All SX-F models)		
Super unleaded (ROZ 95/RON 95/PON 91) (📖 p. 139)	7 l (1.8 US gal)	
Total fuel tank capacity, approx. (XC-F US)		
Super unleaded (ROZ 95/RON 95/PON 91) (📖 p. 139)	8.5 l (2.25 US gal)	
Fuel reserve, approx. (XC-F US)	1.5 l (1.6 qt.)	

22.4 Chassis

Frame	Central tube frame made of chrome molybdenum steel tubing
Fork	WP Suspension Upside down AER 48
Suspension travel	
front	310 mm (12.2 in)
rear	300 mm (11.81 in)
Fork offset	22 mm (0.87 in)
Shock absorber	WP Suspension 5018 DCC Link
Brake system	Disc brakes, brake calipers on floating bearings
Brake discs - diameter	
front	260 mm (10.24 in)
rear	220 mm (8.66 in)
Brake discs - wear limit	
front	2.5 mm (0.098 in)
rear	3.5 mm (0.138 in)
Tire air pressure off road	
front	1.0 bar (15 psi)
rear	1.0 bar (15 psi)
Secondary ratio	13:48
Chain	5/8 x 1/4"
Rear sprockets available	45, 47, 48, 49, 50, 51, 52
Steering head angle	63.9°
Wheelbase	1,485 ± 10 mm (58.46 ± 0.39 in)
Ground clearance, unloaded	370 mm (14.57 in)
Seat height, unloaded	950 mm (37.4 in)
Weight without fuel, approx. (SX-F EU)	100 kg (220 lb.)
Weight without fuel, approx. (SX-F US)	100.5 kg (221.6 lb.)
Weight without fuel, approx. (XC-F US)	101 kg (223 lb.)
Maximum permissible front axle load	145 kg (320 lb.)
Maximum permissible rear axle load	190 kg (419 lb.)
Maximum permissible overall weight	335 kg (739 lb.)

22.5 Electrical system

Battery	HJTZ5S-FP-C	Lithium-ion battery Battery voltage: 12 V Nominal capacity: 2.0 Ah Maintenance-free
Fuse	58011109110	10 A
Malfunction indicator lamp	LED	
Remaining indicator lamps (XC-F US)	W2.3W / socket W2x4.6d	12 V 2.3 W

22.6 Tires

Validity	Front tire	Rear tire
(SX-F EU)	80/100 - 21 51M TT Dunlop GEOMAX MX3S F	110/90 - 19 62M TT Dunlop GEOMAX MX3S
(SX-F US)	80/100 - 21 51M TT Dunlop GEOMAX MX3S F	120/80 - 19 63M TT Dunlop GEOMAX MX3S
(XC-F US)	90/90 - 21 54M TT Dunlop GEOMAX AT81F	110/100 - 18 64M TT Dunlop GEOMAX AT81
The tires specified represent one of the possible series production tires. Additional information is available in the Service section under: http://www.ktm.com		

22.7 Fork

22.7.1 SX-F EU

Fork article number	34.18.8S.09	
Fork	WP Suspension Upside down AER 48	
Compression damping		
Comfort	17 clicks	
Standard	12 clicks	
Sport	7 clicks	
Rebound damping		
Comfort	17 clicks	
Standard	12 clicks	
Sport	7 clicks	
Air pressure	10.7 bar (155 psi)	
Fork length	950 mm (37.4 in)	
Oil capacity external mechanism right	220 \pm 20 ml (7.44 \pm 0.68 fl. oz.)	Fork oil (SAE 4) (48601166S1) (📖 p. 139)
Oil capacity external mechanism left	220 \pm 20 ml (7.44 \pm 0.68 fl. oz.)	Fork oil (SAE 4) (48601166S1) (📖 p. 139)
Oil capacity, right cartridge	380 ml (12.85 fl. oz.)	Fork oil (SAE 4) (48601166S1) (📖 p. 139)
Grease capacity, left cartridge	5 g (0.18 oz)	Multi-purpose grease (00062010051) (📖 p. 140)

22.7.2 SX-F US

Fork article number	34.18.8S.59	
Fork	WP Suspension Upside down AER 48	
Compression damping		
Comfort	20 clicks	
Standard	15 clicks	
Sport	10 clicks	
Rebound damping		
Comfort	20 clicks	
Standard	15 clicks	

Sport	10 clicks	
Air pressure	10.5 bar (152 psi)	
Fork length	950 mm (37.4 in)	
Oil capacity external mechanism right	200 ± ⁴⁰ / ₂₀ ml (6.76 ± ^{1.35} / _{0.68} fl. oz.)	Fork oil (SAE 4) (48601166S1) (📖 p. 139)
Oil capacity external mechanism left	200 ± ⁴⁰ / ₂₀ ml (6.76 ± ^{1.35} / _{0.68} fl. oz.)	Fork oil (SAE 4) (48601166S1) (📖 p. 139)
Oil capacity, right cartridge	380 ml (12.85 fl. oz.)	Fork oil (SAE 4) (48601166S1) (📖 p. 139)
Grease capacity, left cartridge	5 g (0.18 oz)	Multi-purpose grease (00062010051) (📖 p. 140)

22.7.3 XC-F US

Fork article number	34.18.8S.79	
Fork	WP Suspension Upside down AER 48	
Compression damping		
Comfort	17 clicks	
Standard	12 clicks	
Sport	7 clicks	
Rebound damping		
Comfort	17 clicks	
Standard	12 clicks	
Sport	7 clicks	
Air pressure	10.1 bar (146 psi)	
Fork length	950 mm (37.4 in)	
Oil capacity external mechanism right	200 ± ⁴⁰ / ₂₀ ml (6.76 ± ^{1.35} / _{0.68} fl. oz.)	Fork oil (SAE 4) (48601166S1) (📖 p. 139)
Oil capacity external mechanism left	200 ± ⁴⁰ / ₂₀ ml (6.76 ± ^{1.35} / _{0.68} fl. oz.)	Fork oil (SAE 4) (48601166S1) (📖 p. 139)
Oil capacity, right cartridge	380 ml (12.85 fl. oz.)	Fork oil (SAE 4) (48601166S1) (📖 p. 139)
Grease capacity, left cartridge	5 g (0.18 oz)	Multi-purpose grease (00062010051) (📖 p. 140)

22.8 Shock absorber

22.8.1 SX-F EU

Shock absorber article number	18.18.7S.09	
Shock absorber	WP Suspension 5018 DCC Link	
Compression damping, low-speed		
Comfort	17 clicks	
Standard	15 clicks	
Sport	13 clicks	
Compression damping, high-speed		
Comfort	2 turns	
Standard	1.5 turns	

Sport	1 turn
Rebound damping	
Comfort	17 clicks
Standard	15 clicks
Sport	13 clicks
Spring preload	8 mm (0.31 in)
Spring rate	
Weight of rider: 65 ... 75 kg (143 ... 165 lb.)	39 N/mm (223 lb/in)
Weight of rider: 75 ... 85 kg (165 ... 187 lb.)	42 N/mm (240 lb/in)
Weight of rider: 85 ... 95 kg (187 ... 209 lb.)	45 N/mm (257 lb/in)
Spring length	260 mm (10.24 in)
Gas pressure	10 bar (145 psi)
Static sag	35 mm (1.38 in)
Riding sag	105 mm (4.13 in)
Fitted length	477 mm (18.78 in)
Shock absorber oil	Shock absorber fluid (SAE 2.5) (50180751S1) (📖 p. 139)

22.8.2 SX-F US

Shock absorber article number	18.18.7S.59
Shock absorber	WP Suspension 5018 DCC Link
Compression damping, low-speed	
Comfort	17 clicks
Standard	15 clicks
Sport	13 clicks
Compression damping, high-speed	
Comfort	2.5 turns
Standard	2 turns
Sport	1.5 turns
Rebound damping	
Comfort	17 clicks
Standard	15 clicks
Sport	13 clicks
Spring preload	7 mm (0.28 in)
Spring rate	
Weight of rider: 65 ... 75 kg (143 ... 165 lb.)	42 N/mm (240 lb/in)
Weight of rider: 75 ... 85 kg (165 ... 187 lb.)	45 N/mm (257 lb/in)
Weight of rider: 85 ... 95 kg (187 ... 209 lb.)	48 N/mm (274 lb/in)
Spring length	260 mm (10.24 in)
Gas pressure	10 bar (145 psi)
Static sag	35 mm (1.38 in)
Riding sag	105 mm (4.13 in)
Fitted length	477 mm (18.78 in)
Shock absorber oil	Shock absorber fluid (SAE 2.5) (50180751S1) (📖 p. 139)

22.8.3 XC-F US

Shock absorber article number	18.18.7S.79
Shock absorber	WP Suspension 5018 DCC Link
Compression damping, low-speed	
Comfort	17 clicks
Standard	15 clicks
Sport	13 clicks
Compression damping, high-speed	
Comfort	2.5 turns
Standard	2 turns
Sport	1.5 turns
Rebound damping	
Comfort	17 clicks
Standard	15 clicks
Sport	13 clicks
Spring preload	8 mm (0.31 in)
Spring rate	
Weight of rider: 65 ... 75 kg (143 ... 165 lb.)	42 N/mm (240 lb/in)
Weight of rider: 75 ... 85 kg (165 ... 187 lb.)	45 N/mm (257 lb/in)
Weight of rider: 85 ... 95 kg (187 ... 209 lb.)	48 N/mm (274 lb/in)
Spring length	260 mm (10.24 in)
Gas pressure	10 bar (145 psi)
Static sag	35 mm (1.38 in)
Riding sag	105 mm (4.13 in)
Fitted length	477 mm (18.78 in)
Shock absorber oil	Shock absorber fluid (SAE 2.5) (50180751S1) (📖 p. 139)

22.9 Chassis tightening torques

Screw, air filter box cover	EJOT PT® K60x20-Z	3 Nm (2.2 lbf ft)
Screw, combination switch	EJOT PT® K50x18 T20	2 Nm (1.5 lbf ft)
Screw, intake air temperature sensor	EJOT DELTA PT® 45x12-Z	0.7 Nm (0.52 lbf ft)
Screw, pressure regulator	EJOT PT® K60x25-Z	2.3 Nm (1.7 lbf ft)
Fitting, E-starter button	M3	1 Nm (0.7 lbf ft)
Fitting, kill switch	M3	1 Nm (0.7 lbf ft)
Screw, fixed grip	M4	5 Nm (3.7 lbf ft)
		Loctite®243™
Screw, service hour counter	M4	1 Nm (0.7 lbf ft)
Spoke nipple, front wheel	M4.5	6 Nm (4.4 lbf ft)
Spoke nipple, rear wheel	M4.5	6 Nm (4.4 lbf ft)
Remaining nuts, chassis	M5	5 Nm (3.7 lbf ft)
Remaining screws, chassis	M5	5 Nm (3.7 lbf ft)
Screw, battery terminal	M5	2.5 Nm (1.84 lbf ft)
Screw, frame protector	M5	3 Nm (2.2 lbf ft)

Screw, shock absorber adjusting ring	M5	5 Nm (3.7 lbf ft)
Nut, cable on starter motor	M6	4 Nm (3 lbf ft)
Remaining nuts, chassis	M6	10 Nm (7.4 lbf ft)
Remaining screws, chassis	M6	10 Nm (7.4 lbf ft)
Screw, ball joint of push rod on foot brake cylinder	M6	10 Nm (7.4 lbf ft) Loctite®243™
Screw, chain sliding guard	M6	6 Nm (4.4 lbf ft) Loctite®243™
Screw, front brake disc	M6	14 Nm (10.3 lbf ft) Loctite®243™
Screw, rear brake disc	M6	14 Nm (10.3 lbf ft) Loctite®243™
Screw, throttle grip	M6	5 Nm (3.7 lbf ft)
Fuel connection on fuel tank	M8	15 Nm (11.1 lbf ft)
Nut, foot brake lever stop	M8	20 Nm (14.8 lbf ft)
Nut, rear sprocket screw	M8	35 Nm (25.8 lbf ft) Loctite®2701™
Nut, rim lock	M8	12 Nm (8.9 lbf ft)
Remaining nuts, chassis	M8	25 Nm (18.4 lbf ft)
Remaining screws, chassis	M8	25 Nm (18.4 lbf ft)
Screw side stand attachment (XC-F US)	M8	35 Nm (25.8 lbf ft) Loctite®2701™
Screw, bottom triple clamp	M8	12 Nm (8.9 lbf ft)
Screw, chain sliding piece	M8	15 Nm (11.1 lbf ft)
Screw, engine brace on engine	M8x20	25 Nm (18.4 lbf ft) Loctite®243™
Screw, engine brace on frame	M8x15	25 Nm (18.4 lbf ft) Loctite®2701™
Screw, fork stub	M8	15 Nm (11.1 lbf ft)
Screw, front brake caliper	M8	25 Nm (18.4 lbf ft) Loctite®243™
Screw, handlebar clamp	M8	20 Nm (14.8 lbf ft)
Screw, manifold on cylinder head brace	M8	15 Nm (11.1 lbf ft)
Screw, subframe	M8	35 Nm (25.8 lbf ft) Loctite®2701™
Screw, top steering stem	M8	20 Nm (14.8 lbf ft) Loctite®243™
Screw, top triple clamp	M8	17 Nm (12.5 lbf ft)
Engine carrying screw	M10	60 Nm (44.3 lbf ft)
Remaining nuts, chassis	M10	45 Nm (33.2 lbf ft)
Remaining screws, chassis	M10	45 Nm (33.2 lbf ft)
Screw, bottom shock absorber	M10	60 Nm (44.3 lbf ft) Loctite®2701™
Screw, handlebar support	M10	40 Nm (29.5 lbf ft) Loctite®243™
Screw, top shock absorber	M10	60 Nm (44.3 lbf ft) Loctite®2701™

Nut, fuel pump	M12	15 Nm (11.1 lbf ft)
Nut, angle lever on swingarm	M14x1.5	60 Nm (44.3 lbf ft)
Nut, frame on linkage lever	M14x1.5	60 Nm (44.3 lbf ft)
Nut, linkage lever on angle lever	M14x1.5	60 Nm (44.3 lbf ft)
Nut, swingarm pivot	M16x1.5	100 Nm (73.8 lbf ft)
Screw, front wheel spindle	M20x1.5	35 Nm (25.8 lbf ft)
Screw, top steering head	M20x1.5	12 Nm (8.9 lbf ft)
Screw-in fitting, cooling system	M24x1.5	15 Nm (11.1 lbf ft)
		Loctite®243™
Nut, rear wheel spindle	M25x1.5	80 Nm (59 lbf ft)

Brake fluid DOT 4 / DOT 5.1

Standard/classification

- DOT

Guideline

- Use only brake fluid that complies with the specified standard (see specifications on the container) and that exhibits the corresponding properties.

Recommended supplier

Castrol

- **REACT PERFORMANCE DOT 4**

Motorex®

- **Brake Fluid DOT 5.1**

Coolant

Guideline

- Only use high-grade, silicate-free coolant with corrosion inhibitor additive for aluminum motors. Low grade and unsuitable antifreeze causes corrosion, deposits and frothing.
- Do not use pure water as only coolant is able to meet the requirements needed in terms of corrosion protection and lubrication properties.
- Only use coolant that complies with the requirements stated (see specifications on the container) and that has the relevant properties.

Antifreeze protection to at least	-25 °C (-13 °F)
-----------------------------------	-----------------

The mixture ratio must be adjusted to the necessary antifreeze protection. Use distilled water if the coolant needs to be diluted.

The use of premixed coolant is recommended.

Observe the coolant manufacturer specifications for antifreeze protection, dilution and miscibility (compatibility) with other coolants.

Recommended supplier

Motorex®

- **COOLANT M3.0**

Engine oil (SAE 10W/50)

Standard/classification

- JASO T903 MA2 (📖 p. 142)
- SAE (📖 p. 142) (SAE 10W/50)

Guideline

- Use only engine oils that comply with the specified standards (see specifications on the container) and that possess the corresponding properties.

Fully synthetic engine oil

Recommended supplier

Motorex®

- **Cross Power 4T**

Fork oil (SAE 4) (48601166S1)**Standard/classification**

- SAE (📖 p. 142) (SAE 4)

Guideline

- Use only oils that comply with the specified standards (see specifications on the container) and that exhibit the corresponding properties.

Shock absorber fluid (SAE 2.5) (50180751S1)**Standard/classification**

- SAE (📖 p. 142) (SAE 2.5)

Guideline

- Use only oils that comply with the specified standards (see specifications on the container) and that exhibit the corresponding properties.

Super unleaded (ROZ 95/RON 95/PON 91)**Standard/classification**

- DIN EN 228 (ROZ 95/RON 95/PON 91)

Guideline

- Only use unleaded super fuel that matches or is equivalent to the specified fuel grade.
- Fuel with an ethanol content of up to 10 % (E10 fuel) is safe to use.

**Info**

Do **not** use fuel containing methanol (e. g. M15, M85, M100) or more than 10 % ethanol (e. g. E15, E25, E85, E100).

Air filter cleaner

Recommended supplier

Motorex®

- Racing Bio Dirt Remover

Chain cleaner

Recommended supplier

Motorex®

- Chain Clean

Fuel additive

Recommended supplier

Motorex®

- Fuel Stabilizer

High viscosity grease

Recommended supplier

SKF®

- LGHB 2

Long-life grease

Recommended supplier

Motorex®

- Bike Grease 2000

Motorcycle cleaner

Recommended supplier

Motorex®

- Moto Clean

Multi-purpose grease (00062010051)

Recommended supplier

Klüber Lubrication®

- CENTOPLEX 2 EP

Off-road chain spray

Recommended supplier

Motorex®

- Chainlube Offroad

Oil for foam air filter

Recommended supplier

Motorex®

- Racing Bio Liquid Power

Preserving materials for paints, metal and rubber

Recommended supplier

Motorex®

- Moto Protect

Special cleaner for glossy and matte paint finishes, metal and plastic surfaces

Recommended supplier

Motorex®

- Quick Cleaner

Universal oil spray

Recommended supplier

Motorex®

- Joker 440 Synthetic

JASO T903 MA2

Different technical development directions required a separate specification for motorcycles – the **JASO T903 MA2** standard.

Earlier, engine oils from the automobile industry were used for motorcycles because there was no separate motorcycle specification.

Whereas long service intervals are demanded for automobile engines, the focus for motorcycle engines is on high performance at high engine speeds.

In most motorcycle engines, the transmission and clutch are lubricated with the same oil.

The **JASO T903 MA2** standard meets these special requirements.

SAE

The SAE viscosity classes were defined by the Society of Automotive Engineers and are used for classifying oils according to their viscosity. The viscosity describes only one property of oil and says nothing about quality.




-	Launch control	Vehicles electronics functions for achieving the best possible acceleration from a standing position
OBD	On-board diagnosis	Vehicle system, which monitors the specified parameters of the vehicle electronics

27 LIST OF ABBREVIATIONS

Art. no.	Article number
ca.	circa
cf.	compare
e.g.	for example
etc.	et cetera
i.a.	inter alia
no.	number
poss.	possibly

28.1 Yellow and orange symbols

Yellow and orange symbols indicate an error condition that requires prompt intervention. Active driving aids are also represented by yellow or orange symbols.

	Malfunction indicator lamp lights up/flashes orange – The OBD has detected an error in the vehicle electronics.
	Malfunction indicator lamp flashes orange rapidly – Launch control is activated.
	Fuel level warning lamp lights up orange – The fuel level has reached the reserve mark.

A	
Accessories	10
Air filter	
cleaning	66
installing	67
removing	65
Air filter box	
cleaning	66
Air filter box cover	
installing	65
preparing for securing	67
removing	64
Air suspension AER 48	38
Antifreeze	
checking	104
Auxiliary substances	10
B	
Basic chassis setting	
checking with rider's weight	38
Battery	
installing	100
recharging	101
removing	100
starting power	25
Blink code	126-127
Brake discs	
checking	83
Brake fluid	
front brake, adding	85
rear brake, adding	90
Brake fluid level	
front brake, checking	84
rear brake, checking	90
Brake linings	
front brake, changing	86
front brake, checking	86
of rear brake, changing	92
rear brake, checking	91
C	
Capacity	
coolant	106-107, 130
engine oil	118, 130
fuel	34, 130
Chain	
checking	76
cleaning	73
Chain guide	
checking	76
Chain tension	
adjusting	75
checking	74
Characteristic map of the throttle response	adjusting 110
Chassis number	14
Clutch	
fluid level, checking/correcting	80
fluid, changing	81
Clutch lever	16
basic position, adjusting	80
Cold start button	20
Compression damping	
fork, adjusting	47
Coolant	
antifreeze and coolant level, checking	104
checking the level	105
draining	105
refilling	106
Cooling system	104
Customer service	10
D	
Difficult riding conditions	25
dry sand	25
high temperatures	27
low temperature	27
muddy surfaces	27
slow speed	27
snow	27
wet sand	26
wet surfaces	27
E	
Electric starter button	17
Engine	
running in	24
Engine number	14
Engine oil	
adding	119
changing	116
Engine oil level	
checking	116
Engine sprocket	
checking	76
Environment	8
F	
Figures	10
Filler cap	
closing	19

opening	18	K	
Foot brake lever	22	Kill switch	16
basic position, adjusting	89	L	
free travel, checking	88	Launch control	
Fork article number	14	activating	29
Fork legs		Lower triple clamp	
air pressure, adjusting	46	installing	55
basic setting, checking	45	removing	54
bleeding	51	Low-speed compression damping	
compression damping, adjusting	47	shock absorber, adjusting	39
dust boots, cleaning	51	M	
installing	53	Main fuse	
rebound damping, adjusting	48	changing	102
removing	52	Main silencer	
Fork protector		glass fiber yarn filling, changing	68
installing	52	installing	68
removing	52	removing	67
Frame		Mapping	
checking	78	changing	111
Front fender		Misuse	6
installing	60	Motorcycle	
removing	59	cleaning	120
Front wheel		lift stand, raising with	50
installing	95	lift stand, removing from	50
removing	94	O	
Fuel screen		Oil filter	
changing	114	changing	116
Fuel tank		Oil screens	
installing	71	cleaning	116
removing	69	Operating substances	10
Fuse		Owner's Manual	9
main fuse, changing	102	P	
H		Play in throttle cable	
Hand brake lever	16	adjusting	108
basic position, adjusting	83	checking	108
free travel, checking	83	Plug-in stand	22
Handlebar position	48	Preparing for use	
adjusting	49	advice on preparing for first use	23
High-speed compression damping		after storage	123
shock absorber, adjusting	40	checks and maintenance measures when	
I		preparing for use	28
Idle speed		Protective clothing	8
adjusting	111	R	
Idle speed adjusting screw	21	Rear sprocket	
Implied warranty	10	checking	76
Indicator lamps		Rear wheel	
overview	17	installing	96
Intended use	6		

removing	95	Swingarm	
Rebound damping		checking	78
fork, adjusting	48	T	
shock absorber, adjusting	41	Technical data	
Refueling		capacities	130
fuel	33	chassis	131
Riding sag		chassis tightening torques	135
adjusting	44	electrical system	131
Rubber grips		engine	128
checking	79	engine tightening torques	129
S		fork	132
Safe operation	7	shock absorber	133
Seat		tires	132
mounting	64	Throttle cable routing	
removing	63	checking	78
Service	10	Throttle grip	16
Service hour counter	18	Throttle valve position	
Service schedule	35-37	teaching	112
Shift lever	21	Tire air pressure	
basic position, adjusting	113	checking	98
basic position, checking	113	Tire condition	
Shock absorber		checking	98
compression damping, general	39	Traction control	
high-speed compression damping, adjusting	40	activating	30
installing	61	Transporting	32
low-speed compression damping, adjusting	39	Troubleshooting	124-125
rebound damping, adjusting	41	Type label	14
removing	60	U	
riding sag, checking	43	Use definition	6
spring preload, adjusting	43	V	
static sag, checking	42	View of vehicle	
Shock absorber article number	15	front left	12
Side stand	22	rear right	13
Spare parts	10	W	
Spoke tension		Warranty	10
checking	99	Work rules	8
Start number plate			
installing	59		
removing	59		
Starting	28		
Starting power of lithium-ion batteries at low temperatures	25		
Steering head bearing			
lubricating	58		
Steering head bearing play			
adjusting	58		
checking	57		
Storage	122		



3213851en

03/2018

