

450 SX-F
450 XC-F
450 SX-F FACTORY EDITION

ART. NO. 3214836EN



Congratulations on your decision to purchase a KTM motorcycle. You are now the owner of a state-of-the-art sports vehicle which, with appropriate care, will bring you pleasure for a long time to come.

We wish you good and safe riding at all times!

Enter the serial numbers of your vehicle below.

Vehicle identification number (📖 p. 13)	Dealer's stamp
Engine number (📖 p. 13)	

The Owner's Manual contained the latest information for this model series at the time of publication. However, minor differences due to further developments in design cannot be ruled out completely.

All specifications contained herein are non-binding. KTM Sportmotorcycle GmbH specifically reserves the right to modify or delete technical specifications, prices, colors, forms, materials, services, designs, equipment, etc., without prior notice and without specifying reasons, to adapt these to local conditions, as well as to stop production of a particular model without prior notice. KTM Sportmotorcycle accepts no liability for delivery options, deviations from figures and descriptions, as well as misprints and other errors. The models portrayed partly contain special equipment that does not belong to the regular scope of supply.

© 2024 KTM Sportmotorcycle GmbH, Mattighofen Austria

All rights reserved

Reproduction, even in part, as well as copying of all kinds, is permitted only with the express written permission of the copyright owner.



ISO 9001(12 100 6061)

KTM applies quality assurance processes that lead to the highest possible product quality as defined in the ISO 9001 international quality management standard.

Issued by: TÜV Management Service

REG.NO. 12 100 6061

KTM Sportmotorcycle GmbH
Stallhofnerstraße 3
5230 Mattighofen, Austria

This document is valid for the following models:

450 SX-F EU (F8401X5)

450 SX-F US (F8475X5)

450 SX-F BR (F8440X5)

450 XC-F US (F8475X0)

450 SX-F FACTORY EDITION US (F8475X1)



3214836en

08.01.2024

TABLE OF CONTENTS

1	MEANS OF REPRESENTATION	6	6.15	Foot brake lever	22
1.1	Symbols used	6	6.16	Plug-in stand (All SX-F models).....	22
1.2	Formats used.....	6	6.17	Side stand (XC-F US)	23
2	SAFETY ADVICE.....	7	6.18	Factory Start (FACTORY EDITION).....	23
2.1	Use definition – intended use.....	7	7	PREPARING FOR USE.....	24
2.2	Misuse.....	7	7.1	Advice on preparing for first use	24
2.3	Safety advice.....	7	7.2	Running in the engine	25
2.4	Degrees of risk and symbols.....	7	7.3	Starting power of lithium-ion batteries at low temperatures	25
2.5	Tampering warning.....	8	7.4	Preparing the vehicle for difficult operating conditions.....	26
2.6	Safe operation	8	7.5	Preparing the vehicle for rides on dry sand	26
2.7	Protective clothing	8	7.6	Preparing the vehicle for rides on wet sand	27
2.8	Work rules.....	9	7.7	Preparing the vehicle for rides on wet and muddy circuits	27
2.9	Environment.....	9	7.8	Preparing vehicle for high temperatures or slow riding.....	28
2.10	Owner's Manual	9	7.9	Preparing the vehicle for low temperatures or snow	28
3	IMPORTANT NOTES.....	10	8	RIDING INSTRUCTIONS.....	29
3.1	Manufacturer warranty, implied warranty.....	10	8.1	Checks and maintenance measures when preparing for use	29
3.2	Fuel, auxiliary substances.....	10	8.2	Starting the vehicle	29
3.3	Spare parts, technical accessories	10	8.3	Activating launch control	30
3.4	Service	10	8.4	Activating traction control.....	31
3.5	Figures	10	8.5	Activating the Factory Start (FACTORY EDITION).....	31
3.6	Customer service.....	10	8.6	Starting off.....	32
4	VIEW OF VEHICLE	11	8.7	Quickshifter.....	32
4.1	View of vehicle, front left (example) ...	11	8.8	Activating the quickshifter	32
4.2	View of vehicle, rear right (example).....	12	8.9	Shifting, riding	33
5	SERIAL NUMBERS	13	8.10	Applying the brakes.....	34
5.1	Vehicle identification number.....	13	8.11	Stopping, parking.....	34
5.2	Steering head label	13	8.12	Transporting.....	35
5.3	Engine number	13	8.13	Refueling	36
5.4	Fork article number.....	13	9	SERVICE SCHEDULE	38
5.5	Shock absorber article number	14	9.1	Additional information.....	38
6	CONTROLS.....	15	9.2	Service schedule.....	38
6.1	Clutch lever.....	15	10	TUNING THE CHASSIS	40
6.2	Hand brake lever.....	15	10.1	Checking the basic chassis setting with rider's weight.....	40
6.3	Throttle grip	16	10.2	Air suspension XACT (All SX-F models).....	40
6.4	Stop button	16	10.3	Compression damping of the shock absorber.....	41
6.5	Start button.....	17	10.4	Adjusting the low-speed compression damping of the shock absorber.....	41
6.6	Combination switch.....	17			
6.7	Overview of indicator lights (All SX-F models).....	18			
6.8	Overview of indicator lights (XC-F US).....	18			
6.9	Combination instrument	18			
6.10	Opening the fuel tank filler cap	19			
6.11	Closing the fuel tank filler cap.....	20			
6.12	Cold start button	21			
6.13	Idle speed adjusting screw	21			
6.14	Shift lever	22			

10.5	Adjusting the high-speed compression damping of the shock absorber.....	42	11.23	Installing the shock absorber 🛠️.....	74
10.6	Adjusting the rebound damping of the shock absorber.....	43	11.24	Removing the seat	75
10.7	Measuring the dimension of the rear wheel unloaded.....	43	11.25	Mounting the seat	76
10.8	Checking the static sag of the shock absorber.....	44	11.26	Removing the air filter box cover	76
10.9	Checking the rider sag of the shock absorber.....	45	11.27	Installing the air filter box cover	77
10.10	Adjusting the spring preload of the shock absorber 🛠️.....	45	11.28	Removing the air filter 🛠️.....	78
10.11	Adjusting the riding sag 🛠️.....	46	11.29	Cleaning the air filter and air filter box 🛠️.....	79
10.12	Checking the basic setting of the fork	48	11.30	Installing the air filter 🛠️.....	80
10.13	Adjusting the fork air pressure (All SX-F models).....	48	11.31	Preparing air filter box cover for securing 🛠️.....	80
10.14	Adjusting the compression damping of the fork	49	11.32	Removing the main silencer	81
10.15	Adjusting the rebound damping of the fork.....	50	11.33	Installing the main silencer.....	81
10.16	Handlebar position.....	52	11.34	Changing the glass fiber yarn filling of the main silencer 🛠️.....	82
10.17	Adjusting the handlebar position 🛠️.....	52	11.35	Removing the fuel tank 🛠️.....	83
11	SERVICE WORK ON THE CHASSIS.....	56	11.36	Installing the fuel tank 🛠️.....	85
11.1	Raising the motorcycle with a lift stand.....	56	11.37	Checking for chain dirt accumulation.....	86
11.2	Removing the motorcycle from the lift stand.....	56	11.38	Cleaning the chain	86
11.3	Bleeding the fork legs.....	57	11.39	Checking the chain tension.....	87
11.4	Cleaning the dust boots of the fork legs	57	11.40	Adjusting the chain tension.....	88
11.5	Removing the fork protector	58	11.41	Checking the chain, rear sprocket, engine sprocket, and chain guide	89
11.6	Installing the fork protector.....	59	11.42	Checking the frame 🛠️.....	91
11.7	Removing the engine guard (XC-F US, FACTORY EDITION).....	60	11.43	Checking the link fork 🛠️.....	91
11.8	Installing the engine guard (XC-F US, FACTORY EDITION).....	60	11.44	Checking the throttle cable routing	91
11.9	Removing the frame protector	61	11.45	Checking the rubber grips	92
11.10	Installing the frame protector	61	11.46	Programming the quickshifter	93
11.11	Removing the fork legs 🛠️.....	61	11.47	Adjusting the basic position of the clutch lever	93
11.12	Installing the fork legs 🛠️.....	62	11.48	Checking/correcting the fluid level of hydraulic clutch.....	93
11.13	Removing the lower triple clamp 🛠️.....	63	11.49	Changing the hydraulic clutch fluid 🛠️.....	94
11.14	Installing the lower triple clamp 🛠️.....	65	12	BRAKE SYSTEM	96
11.15	Checking the steering head bearing play	69	12.1	Checking the free travel of the hand brake lever	96
11.16	Adjusting the steering head bearing play 🛠️.....	69	12.2	Adjusting the basic position of the hand brake lever	96
11.17	Lubricating the steering head bearing 🛠️.....	71	12.3	Checking the brake discs.....	96
11.18	Removing the start number plate.....	71	12.4	Checking the front brake fluid level ...	97
11.19	Installing the start number plate.....	71	12.5	Adding front brake fluid 🛠️.....	98
11.20	Removing the front fender	71	12.6	Checking that the brake linings of the front brake are secured	99
11.21	Installing the front fender	72	12.7	Changing the brake linings of the front brake 🛠️.....	100
11.22	Removing the shock absorber 🛠️.....	73	12.8	Checking the free travel of foot brake lever	103
			12.9	Adjusting the basic position of the foot brake lever 🛠️.....	104
			12.10	Checking the rear brake fluid level	104
			12.11	Adding rear brake fluid 🛠️.....	105

TABLE OF CONTENTS

12.12	Checking that the brake linings of the rear brake are secured.....	106	18	CLEANING, CARE	142
12.13	Changing the rear brake linings 🛠.....	107	18.1	Cleaning the motorcycle	142
13	WHEELS, TIRES	109	19	STORAGE	144
13.1	Removing the front wheel 🛠.....	109	19.1	Storage	144
13.2	Installing the front wheel 🛠.....	111	19.2	Preparing for use after storage.....	145
13.3	Removing the rear wheel 🛠.....	112	20	TROUBLESHOOTING	146
13.4	Installing the rear wheel 🛠.....	113	21	BLINK CODE	148
13.5	Checking the tire condition	114	22	TROUBLESHOOTING CUO (FACTORY EDITION)	150
13.6	Checking tire pressure.....	115	23	TECHNICAL SPECIFICATIONS	151
13.7	Checking the spoke tension.....	115	23.1	Engine	151
14	ELECTRICAL SYSTEM	117	23.2	Engine tightening torques	152
14.1	Removing the 12-V battery 🛠.....	117	23.3	Capacities	154
14.2	Installing the 12-V battery 🛠.....	118	23.3.1	Engine oil	154
14.3	Charging the 12-V battery 🛠.....	119	23.3.2	Coolant.....	154
14.4	Changing the main fuse.....	120	23.3.3	Fuel	154
14.5	Changing the fuse of the fuel pump.....	121	23.4	Chassis	154
14.6	Diagnostics connector	122	23.5	Electrical system.....	155
14.7	Connectivity Unit Offroad (CUO) (FACTORY EDITION)	123	23.6	Tires	155
15	COOLING SYSTEM	125	23.7	Fork.....	155
15.1	Cooling system	125	23.7.1	SX-F EU/BR	155
15.2	Checking the antifreeze and coolant level.....	125	23.7.2	SX-F US.....	156
15.3	Checking the coolant level	126	23.7.3	XC-F US.....	156
15.4	Draining the coolant 🛠.....	126	23.7.4	FACTORY EDITION	157
15.5	Refilling with coolant 🛠.....	127	23.8	Shock absorber	157
15.6	Changing the coolant.....	128	23.8.1	SX-F EU/BR	157
16	TUNING THE ENGINE.....	130	23.8.2	SX-F US.....	158
16.1	Checking the play in the throttle cable	130	23.8.3	XC-F US.....	159
16.2	Adjusting the play in the throttle cable 🛠.....	130	23.8.4	FACTORY EDITION	159
16.3	Adjusting the characteristic map of the throttle response 🛠.....	131	23.9	Chassis tightening torques	160
16.4	Changing the mapping.....	133	24	DECLARATIONS OF CONFORMITY CUO (FACTORY EDITION)	163
16.5	Adjusting the idle speed 🛠.....	133	24.1	Country-specific declarations of conformity - Connectivity Unit Offroad	163
16.6	Programming the throttle valve position.....	134	25	FCC STATEMENTS CUO (FACTORY EDITION)	164
16.7	Checking the basic position of the shift lever.....	135	25.1	FCC statements - Connectivity Unit Offroad	164
16.8	Adjusting the basic position of the shift lever 🛠.....	135	26	SUBSTANCES	165
17	SERVICE WORK ON THE ENGINE	136	27	AUXILIARY SUBSTANCES	167
17.1	Changing the fuel screen 🛠.....	136	28	STANDARDS	169
17.2	Checking the engine oil level.....	137	29	INDEX OF SPECIAL TERMS	170
17.3	Changing the engine oil and oil filter, cleaning the oil screens 🛠.....	137	30	LIST OF ABBREVIATIONS.....	171
17.4	Adding engine oil	140	31	LIST OF SYMBOLS.....	172
			31.1	Yellow and orange symbols.....	172

31.2	Green and blue symbols.....	172
31.3	White symbols	172
INDEX.....		175

1 MEANS OF REPRESENTATION

1.1 Symbols used

The meaning of specific symbols is described below.



Indicates an expected reaction (e.g., of a work step or a function).



Indicates an unexpected reaction (e.g., of a work step or a function).



Indicates work that requires expert knowledge and technical understanding. In the interest of your own safety, have these jobs performed by an authorized KTM workshop! Your motorcycle will be cared for there to the highest degree by specially trained experts using the special tools required.



Indicates a page reference (more information is provided on the specified page).



Indicates information with more details or tips.



Indicates the result of a testing step.



Indicates the end of an activity, including potential reworking.

1.2 Formats used

The typographical formats used in this document are explained below.

Proprietary name

Indicates a proprietary name.

Name®

Indicates a protected name.

Brand™

Indicates a brand available on the open market.

Underlined terms

Refer to technical details of the vehicle or indicate technical terms, which are explained in the glossary.

2.1 Use definition – intended use

(All SX-F models)

This vehicle has been designed and built to withstand the normal stresses and strains of racing. This vehicle complies with the currently valid regulations and categories of the top international motorsports organizations.



Info

Only operate this vehicle in closed-off areas remote from public road traffic.

(XC-F US)

This vehicle has been designed and built to withstand the normal stresses and strains of racing. This vehicle complies with the currently valid regulations and categories of the top international motorsports organizations.



Info

Only operate this vehicle in closed-off areas remote from public road traffic.

This vehicle is designed for use in offroad endurance competition, and not primarily for use in motocross.

2.2 Misuse

The vehicle must only be used as intended.

Dangers can arise for people, property and the environment through use not as intended.

Any use of the vehicle beyond the intended and defined use constitutes misuse.

Misuse also includes the use of operating and auxiliary fluids which do not meet the required specification for the respective use.

2.3 Safety advice

A number of safety instructions need to be followed to operate the product described safely. Therefore read this instruction and all further instructions included carefully. The safety instructions are highlighted in the text and are referred to at the relevant passages.



Info

Various information and warning labels are attached in prominent locations on the product described. Do not remove any information or warning labels. If they are missing, you or others may not recognize dangers and may therefore be injured.

2.4 Degrees of risk and symbols



Danger

Identifies a danger that will immediately and invariably lead to fatal or serious permanent injury if the appropriate measures are not taken.



Warning

Identifies a danger that is likely to lead to fatal or serious injury if the appropriate measures are not taken.



Caution

Identifies a danger that may lead to minor injuries if the appropriate measures are not taken.

Note

Identifies a danger that will lead to considerable machine and material damage if the appropriate measures are not taken.



Note

Indicates a danger that will lead to environmental damage if the appropriate measures are not taken.

2.5 Tampering warning

Tampering with the noise control system is prohibited. Federal law prohibits the following acts or the causing thereof:

- 1 The removal or rendering inoperative by any person other than for purposes of servicing, repair, or replacement, of any device or element of design incorporated into any new vehicle for the purpose of noise control prior to its sale or delivery to the ultimate purchaser or while it is in use, or
- 2 the use of the vehicle after such device or element of design has been removed or rendered inoperative by any person.

Among those acts presumed to constitute tampering are the acts listed below:

- 1 Removal or puncturing of the main silencers, baffles, header pipes or any other components which conduct exhaust gases.
- 2 Removal or puncturing of parts of the intake system.
- 3 Lack of proper maintenance.
- 4 Replacing moving parts of the vehicle, or parts of the exhaust system or intake system, with parts other than those specified by the manufacturer.

2.6 Safe operation



Danger

Danger of accidents A rider who is not fit to ride poses a danger to him or herself and others.

- Do not operate the vehicle if you are not fit to ride due to alcohol, drugs or medication.
- Do not operate the vehicle if you are physically or mentally impaired.



Danger

Danger of poisoning Exhaust gases are toxic and inhaling them may result in unconsciousness and death.

- Always make sure there is sufficient ventilation when running the engine.
- Use effective exhaust extraction when starting or running the engine in an enclosed space.



Warning

Danger of burns Some vehicle components become hot when the vehicle is operated.

- Do not touch any parts such as the exhaust system, radiator, engine, damper, or brake system before the vehicle parts have cooled down.
- Let the vehicle parts cool down before you perform any work on the vehicle.

Only operate the vehicle when it is in perfect technical condition, in accordance with its intended use, and in a safe and environmentally compatible manner.

The vehicle should only be used by trained persons.

Have malfunctions that impair safety promptly eliminated by an authorized KTM workshop.

Adhere to the information and warning labels on the vehicle.

2.7 Protective clothing



Warning

Risk of injury Missing or poor protective clothing presents an increased safety risk.

- Wear appropriate protective clothing such as helmet, boots, gloves as well as trousers and a jacket with protectors on all rides.
- Always wear protective clothing that is in good condition and meets the legal regulations.

In the interest of your own safety, KTM recommends that you only operate the vehicle while wearing protective clothing.

2.8 Work rules

Unless specified otherwise, the ignition must be turned off during all work (models with ignition lock, models with transponder key) or the motor must be at a standstill (models without ignition lock or transponder key). Special tools are necessary for certain tasks. The tools are not a component of the vehicle, but can be ordered using the number in parentheses. Example: bearing puller (15112017000)

Unless otherwise noted, normal conditions apply to all tasks and descriptions.

Ambient temperature	20 °C (68 °F)
Ambient air pressure	1,013 mbar (14.69 psi)
Relative air humidity	60 ± 5 %

During assembly, use new parts to replace parts which cannot be reused (e.g. self-locking screws and nuts, expansion screws, seals, sealing rings, O-rings, pins, and lock washers).

In the case of certain screws, a screw adhesive (e.g. **Loctite**®) is required. Observe the manufacturer's instructions.

If thread locker (e.g., **Precote**®) has already been applied to a new part, do not apply any additional thread locker. After disassembly, clean the parts that are to be reused and check them for damage and wear. Change damaged or worn parts.

After completing a repair or service work, check the operating safety of the vehicle.

2.9 Environment

If you use your motorcycle responsibly, you can ensure that problems and conflicts do not occur. To protect the future of the motorcycle sport, make sure that you use your motorcycle legally, display environmental consciousness, and respect the rights of others.

When disposing of used oil, other operating and auxiliary fluids, and used components, comply with the laws and regulations of the respective country.

Because motorcycles are not subject to the EU regulations governing the disposal of used vehicles, there are no legal regulations that pertain to the disposal of an end-of-life motorcycle. Your authorized KTM dealer will be glad to advise you.

2.10 Owner's Manual

Read this owner's manual carefully and completely before making your first trip. The Owner's Manual contains useful information and many tips on how to operate, handle, and service your motorcycle. This is the only way to find out how best to customize the vehicle for your own use and how you can protect yourself from injury.



Tip

Store the Owner's Manual on your terminal device, for example, so that you can read it whenever you need to.

If you would like to know more about the vehicle or have questions on the material you read, please contact an authorized KTM dealer.

The Owner's Manual is an important component of the vehicle. If the vehicle is sold, the Owner's Manual must be downloaded again by the new owner.

The Owner's Manual can be downloaded several times using the QR code or the link on the delivery certificate.

The Owner's Manual is also available for download from your authorized KTM dealer and on the KTM website. A printed copy can also be ordered from your authorized KTM dealer.

International KTM Website: KTM.COM

3.1 Manufacturer warranty, implied warranty

The work prescribed in the service schedule must only be carried out in an authorized KTM workshop and confirmed in the **KTM Dealer.net**, as otherwise all warranty claims will be void. Damage or secondary damage caused by tampering with and/or conversions on the vehicle are not covered by the manufacturer warranty.

3.2 Fuel, auxiliary substances



Note

Environmental hazard Improper handling of fuel is a danger to the environment.

- Do not allow fuel to enter the groundwater, the soil, or the sewage system.

Use fuels and auxiliary substances in accordance with the Owner's Manual and specification.

3.3 Spare parts, technical accessories

For your own safety, only use spare parts and accessory products that are approved and/or recommended by KTM and have them installed by an authorized KTM workshop. KTM accepts no liability for other products and any resulting damage or loss.

Certain spare parts and accessory products are specified in parentheses in the descriptions. Your authorized KTM dealer will be glad to advise you.

The latest news **KTM PowerParts** on your vehicle can be found on the KTM website.
International KTM Website: KTM.COM

3.4 Service

A prerequisite for perfect operation and prevention of premature wear is that the service, care, and tuning work on the engine and chassis is properly carried out as described in the Owner's Manual. An incorrect suspension setting can lead to damage and breakage of chassis components.

Use of the vehicle under difficult conditions, such as on sand or on wet, dusty and muddy surfaces, can result in significantly increased wear of components, such as the drive train, brake system, air filter or suspension components. For this reason, it may be necessary to inspect or replace parts before the next scheduled service.

It is imperative that you adhere to the stipulated run-in times and service intervals. If you observe these exactly, you will ensure a much longer service life for your motorcycle.

The relevant mileage or time interval is whichever occurs first.

3.5 Figures

The figures contained in the manual may depict special equipment.

In the interest of clarity, some components may be shown disassembled or may not be shown at all. It is not always necessary to disassemble the component to perform the activity in question. Please follow the instructions in the text.

3.6 Customer service

Your authorized KTM dealer will be happy to answer any questions you may have on your vehicle and KTM.

A list of authorized KTM dealers can be found on the KTM website.
International KTM Website: KTM.COM

4.1 View of vehicle, front left (example)

- ❶ Hand brake lever (📖 p. 15)
- ❷ Clutch lever (📖 p. 15)
- ❸ Fuel tank filler cap
- ❹ Air filter box cover
- ❺ Cold start button (📖 p. 21)
- ❻ Engine number (📖 p. 13)
- ❼ Shift lever (📖 p. 22)

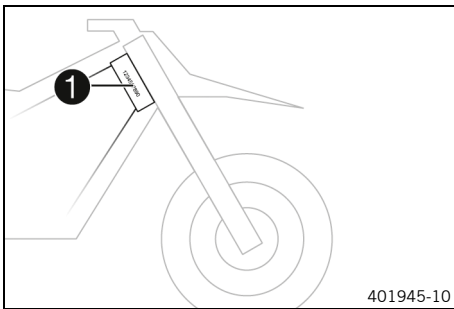
4.2 View of vehicle, rear right (example)



W00273-10

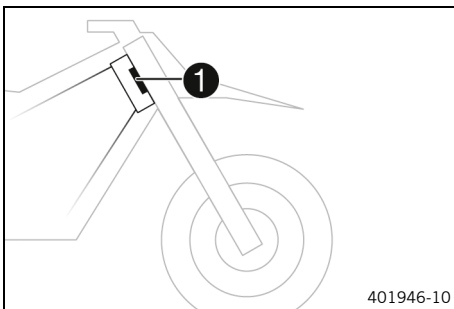
- ❶ Shock absorber compression adjuster
- ❷ Combination switch (📖 p. 17)
- ❸ Stop button (📖 p. 16)
- ❹ Start button (📖 p. 17)
- ❺ Throttle grip (📖 p. 16)
- ❻ Vehicle identification number (📖 p. 13)
- ❼ Steering head label (📖 p. 13)
- ❽ Idle speed adjusting screw (📖 p. 21)
- ❾ Foot brake lever (📖 p. 22)
- ❿ Engine oil level viewer
- ⓫ Shock absorber rebound adjuster

5.1 Vehicle identification number



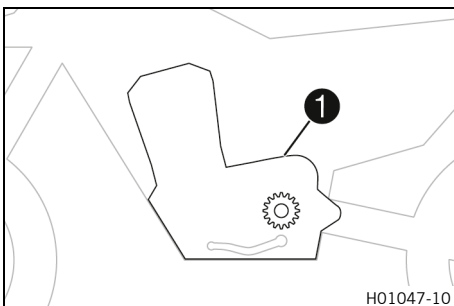
The vehicle identification number ❶ is stamped on the right side of the steering head.

5.2 Steering head label



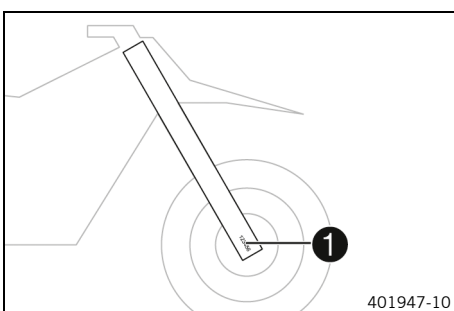
The steering head label ❶ is attached to the front of the steering head.

5.3 Engine number



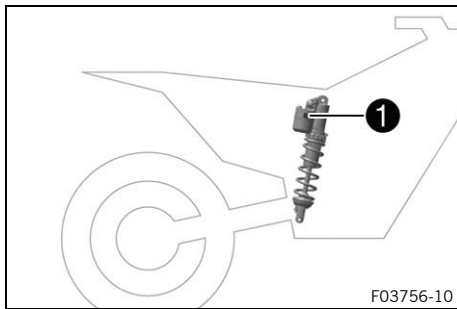
Engine number ❶ is embossed on the left side of the engine above the engine sprocket.

5.4 Fork article number



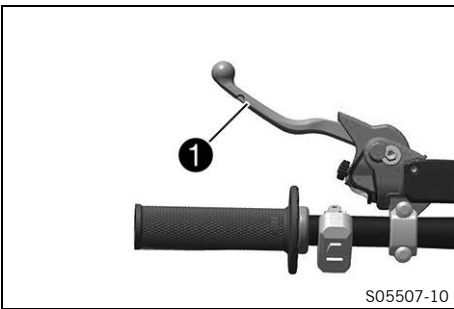
The fork article number ❶ is stamped on the inside of the axle clamp.

5.5 Shock absorber article number



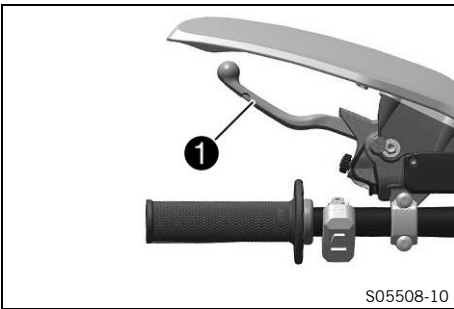
The shock absorber article number **1** is stamped on the top of the shock absorber.

6.1 Clutch lever



(All SX-F models)

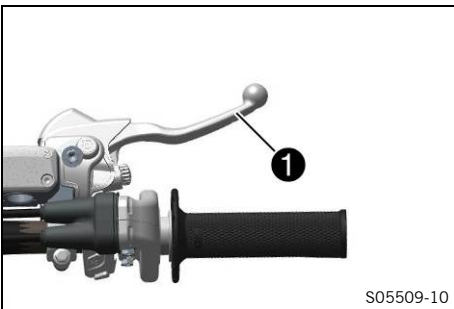
Clutch lever ❶ is fitted on the handlebar on the left. The clutch is activated hydraulically and adjusts itself automatically.



(XC-F US)

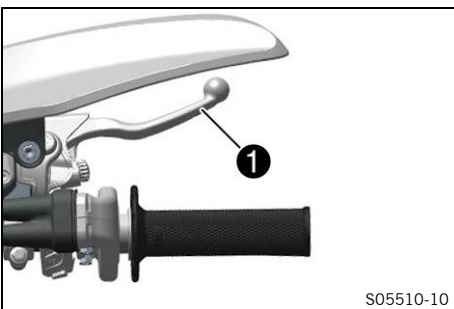
Clutch lever ❶ is fitted on the handlebar on the left. The clutch is activated hydraulically and adjusts itself automatically.

6.2 Hand brake lever



(All SX-F models)

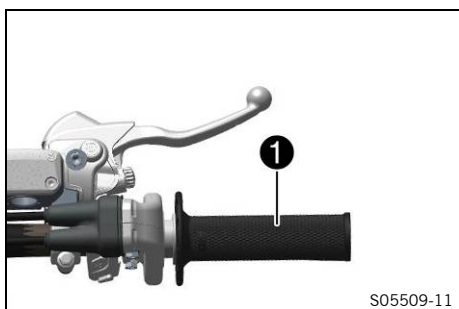
Hand brake lever ❶ is located on the right side of the handlebar. The front brake is engaged using the hand brake lever.



(XC-F US)

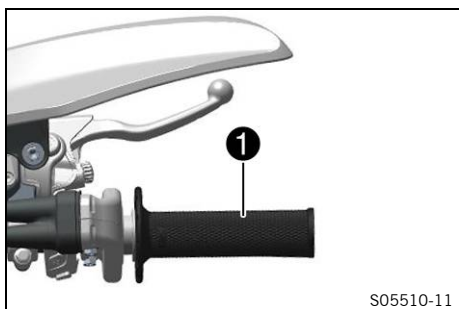
Hand brake lever ❶ is located on the right side of the handlebar. The front brake is engaged using the hand brake lever.

6.3 Throttle grip



(All SX-F models)

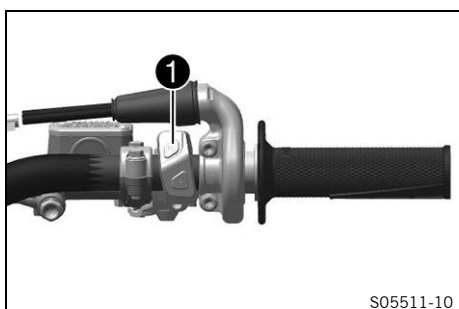
The throttle grip ❶ is fitted on the right side of the handlebar.



(XC-F US)

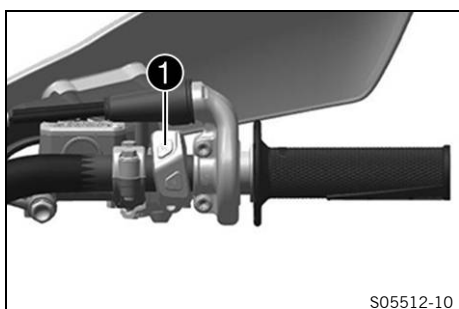
The throttle grip ❶ is fitted on the right side of the handlebar.

6.4 Stop button



(All SX-F models)

The stop button ❶ is located on the right side of the handlebar.



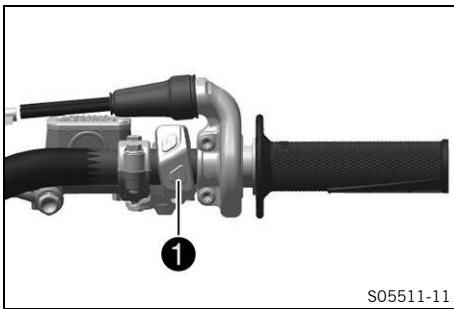
(XC-F US)

The stop button ❶ is located on the right side of the handlebar.

Possible states

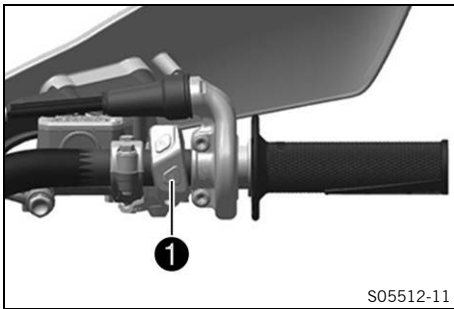
- The stop button ☒ is in the basic position – In this position, the ignition circuit is closed and the engine can be started.
- Stop button ☒ pressed – In this position, the ignition circuit is interrupted, a running engine stops, and a non-running engine will not start.

6.5 Start button



(All SX-F models)

Start button ① is fitted on the right side of the handlebar.



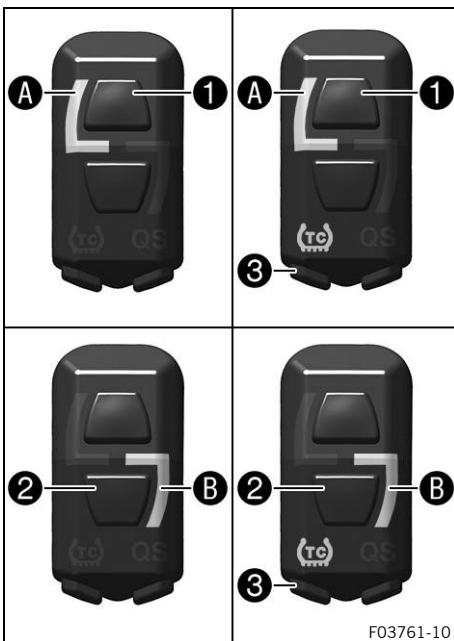
(XC-F US)

Start button ① is fitted on the right side of the handlebar.

Possible states

- The start button ③ is in the basic position
- The start button ③ is pressed – In this position, the starter motor is actuated.

6.6 Combination switch



The combination switch is fitted on the left side of the handlebar.

Possible states

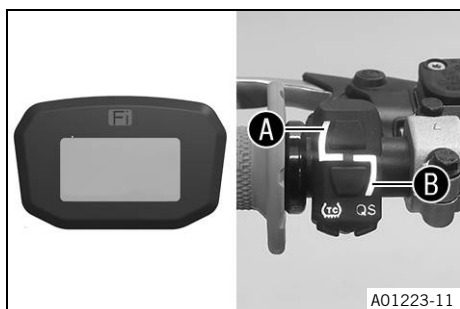
1	STANDARD – STANDARD mapping is activated when the indicator lamp A lights up.
1 TC	STANDARD with TC – STANDARD mapping with traction control is activated when the indicator lamp A and the TC indicator lamp light up.
2	ADVANCED – ADVANCED mapping is activated when the indicator lamp B lights up.
2 TC	ADVANCED with TC – ADVANCED mapping with traction control is activated when the indicator lamp B and the TC indicator lamp light up.

The engine characteristic can be changed using button ① and button ② on the combination switch.

Traction control can be activated using the TC button ③ on the combination switch.

Launch control and the quickshifter can also be activated using the combination switch.

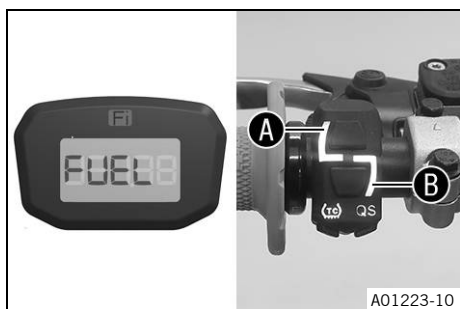
6.7 Overview of indicator lights (All SX-F models)



Possible states

Fi	Malfunction indicator lamp lights up/flashes orange – The OBD has detected a malfunction in the vehicle electronics. The malfunction indicator lamp also lights up if traction control is activated and the speed limiter intervenes.
TC	TC indicator lamp lights up orange – TC is enabled or is currently intervening. The TC indicator lamp flashes if launch control is activated.
QS	QS indicator lamp lights up blue – The quickshifter is activated. The QS indicator lamp flashes when the quickshifter is being programmed.
L	Indicator lamp A lights up white – STANDARD mapping is activated.
7	Indicator lamp B lights up green – ADVANCED mapping is activated.

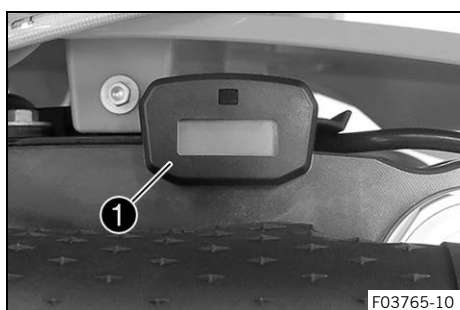
6.8 Overview of indicator lights (XC-F US)



Possible states

Fi	Malfunction indicator lamp lights up/flashes orange – The OBD has detected a malfunction in the vehicle electronics. The malfunction indicator lamp also lights up if traction control is activated and the speed limiter intervenes.
TC	TC indicator lamp lights up orange – TC is enabled or is currently intervening. The TC indicator lamp flashes if launch control is activated.
QS	QS indicator lamp lights up blue – The quickshifter is activated. The QS indicator lamp flashes when the quickshifter is being programmed.
L	Indicator lamp A lights up white – STANDARD mapping is activated.
7	Indicator lamp B lights up green – ADVANCED mapping is activated.
EUEE	FUEL is displayed – The fuel level has reached the reserve mark.

6.9 Combination instrument



The combination instrument **1** is attached in front of the handlebar.

The combination instrument shows the total number of operating hours of the engine.

The operating hour counter begins counting when the engine is started and stops when the engine is switched off.

**Info**

Nothing can be cleared or adjusted on the combination instrument.

As soon as the diagnostics tool is connected, the service hour counter starts running.

Before longer diagnostic sessions, unplug the service hour counter behind the start number plate.

6.10 Opening the fuel tank filler cap**Danger**

Fire hazard Fuel is highly flammable.

The fuel in the fuel tank expands when warm and can escape if overfilled.

- Do not fuel the vehicle in the vicinity of open flames or lit cigarettes.
- Switch off the engine for refueling.
- Make sure that no fuel is spilled; particularly not on hot parts of the vehicle.
- If any fuel is spilled, wipe it off immediately.
- Observe the specifications for refueling.

**Warning**

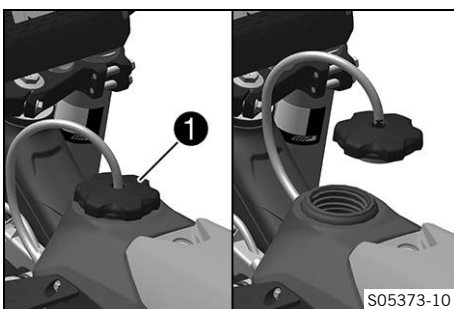
Danger of poisoning Fuel is harmful to health.

- Avoid skin, eye and clothing contact with fuel.
- Immediately consult a doctor if you swallow fuel.
- Do not inhale fuel vapors.
- Rinse the affected area immediately with plenty of water in the event of contact with the skin.
- Rinse the eyes thoroughly with water, and consult a doctor in case of fuel contact with the eyes.
- Change your clothing if fuel spills on them.
- Keep fuels correctly in a suitable canister, and out of the reach of children.

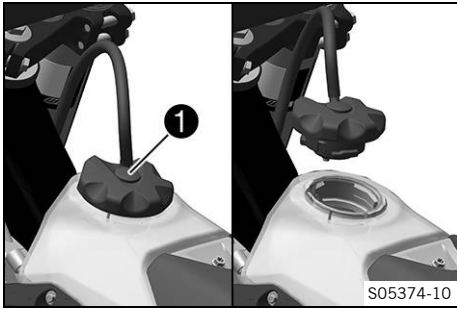
**Note**

Environmental hazard Improper handling of fuel is a danger to the environment.

- Do not allow fuel to enter the groundwater, the soil, or the sewage system.

**(All SX-F models)**

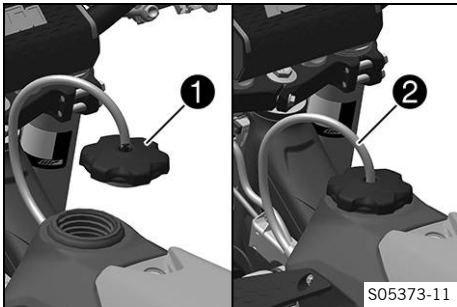
- Turn fuel tank filler cap ① counterclockwise and lift it off.



(XC-F US)

- Press release button **1**, turn the fuel tank filler cap counterclockwise, and lift it off.

6.11 Closing the fuel tank filler cap



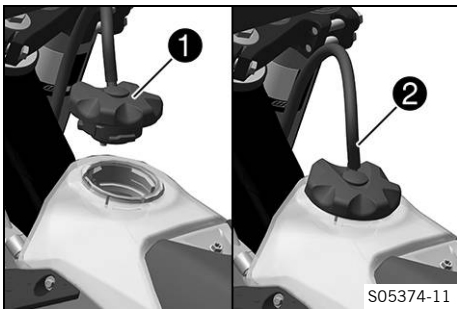
(All SX-F models)

- Mount fuel tank filler cap **1** and turn it clockwise until the fuel tank is tightly closed.



Info

Route fuel tank breather hose **2** without kinks.



(XC-F US)

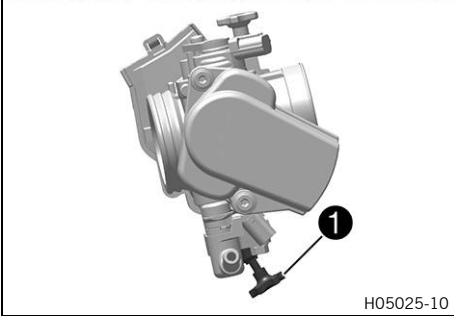
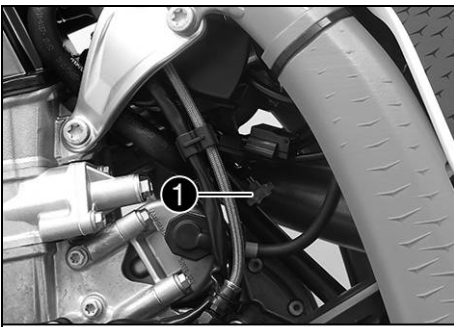
- Mount filler cap **1** and turn it clockwise until the release button engages.



Info

Route fuel tank breather hose **2** without kinks.

6.12 Cold start button



The cold start button **1** is fitted to the bottom of the throttle valve body.

The electronic fuel injection system extends the injection time if the engine is cold and the ambient temperature is low. To help the engine burn the increased fuel quantity, it must be supplied with additional oxygen by pushing the cold start button.

After briefly opening up the throttle and then releasing the throttle grip again, or turning the throttle grip towards the front, the cold start button returns to its original position.



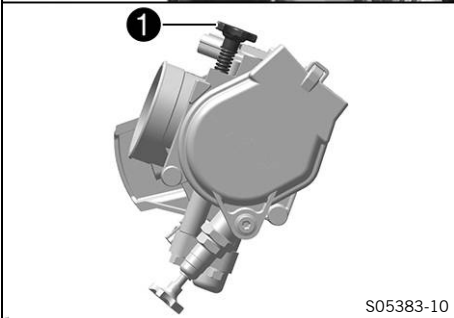
Info

Check whether the cold start button has returned to its basic position.

Possible states

- The cold start button is activated – The cold start button is pushed in all the way.
- The cold start button is deactivated – The cold start button is in its basic position.

6.13 Idle speed adjusting screw



The idle setting of the throttle valve body substantially influences the vehicle's starting behavior, a stable idle speed, and the vehicle's response when the throttle is opened.

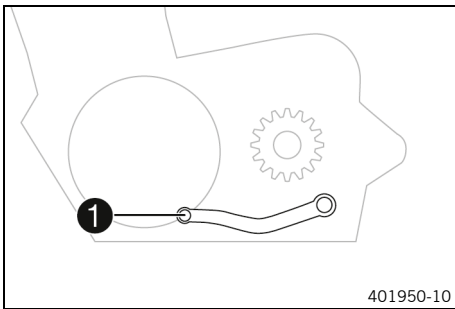
An engine with a correctly set idle speed is easier to start than an engine with the idle speed set incorrectly.

The idle speed is adjusted using the idle speed adjusting screw **1**.

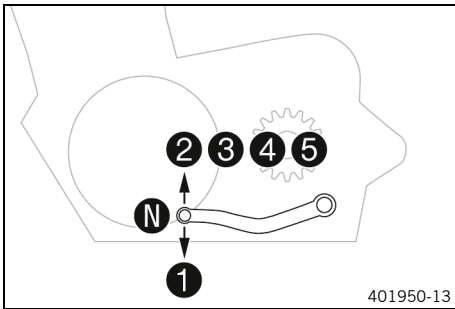
Increase the idle speed by turning the idle speed adjusting screw clockwise.

Decrease the idle speed by turning the idle speed adjusting screw counterclockwise.

6.14 Shift lever

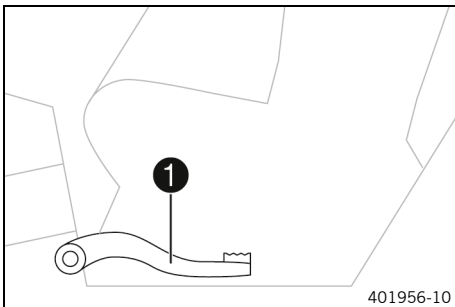


Shift lever **1** is mounted on the left of the engine.



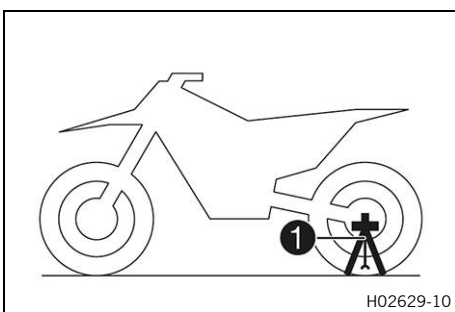
The gear positions can be seen in the figure.
The neutral or idle position is between the first and second gears.

6.15 Foot brake lever



Foot brake lever **1** is located in front of the right footrest.
The foot brake lever is used to activate the rear brake.

6.16 Plug-in stand (All SX-F models)

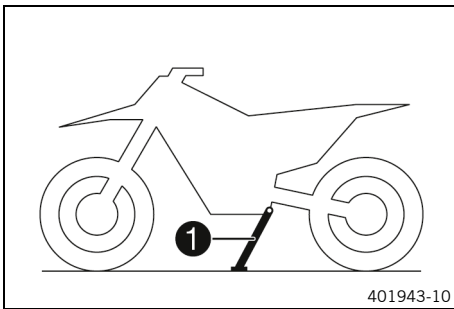


The support for plug-in stand **1** is the left side of the wheel spindle.
The plug-in stand is used to park the motorcycle.
The plug-in stand is used as a fork locker when transporting the motorcycle.

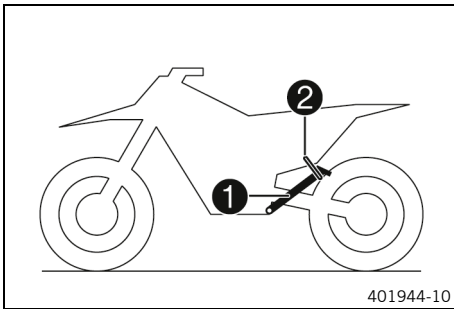
i **Info**

Remove the plug-in stand before riding.
The tool can be attached to the plug-in stand holders.

6.17 Side stand (XC-F US)



The side stand **1** is located on the left of the vehicle.

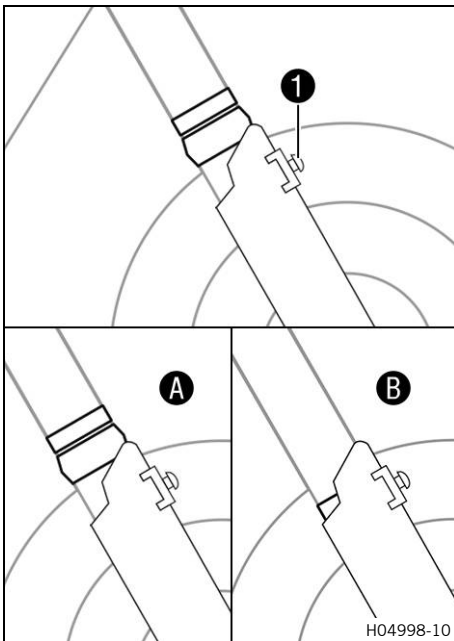


The side stand is used for parking the motorcycle.

i Info

When you are riding, side stand **1** must be folded up and secured with rubber strap **2**.

6.18 Factory Start (FACTORY EDITION)



The Factory Start **1** is mounted on the right fork protector.

Possible states

- **A** Factory Start is deactivated – The fork is in the normal operating mode.
- **B** Factory Start is activated – The fork is compressed and the front of the motorcycle is lowered.

Activating the Factory Start lowers the front of the motorcycle, which then causes the front wheel to lift off the ground when accelerating.

When the fork compresses for the first time, the Factory Start lock button is released automatically. From this point on, the fork operates as if the Factory Start were deactivated or not installed.

7.1 Advice on preparing for first use



Danger

Danger of accidents A rider who is not fit to ride poses a danger to him or herself and others.

- Do not operate the vehicle if you are not fit to ride due to alcohol, drugs or medication.
- Do not operate the vehicle if you are physically or mentally impaired.



Warning

Risk of injury Missing or poor protective clothing presents an increased safety risk.

- Wear appropriate protective clothing such as helmet, boots, gloves as well as trousers and a jacket with protectors on all rides.
- Always wear protective clothing that is in good condition and meets the legal regulations.



Warning

Danger of crashing Different tire tread patterns on the front and rear wheel impair the handling characteristic.

Different tire tread patterns can make the vehicle significantly more difficult to control.

- Make sure that only tires with a similar tire tread pattern are fitted to the front and rear wheel.



Warning

Danger of accidents An unadapted riding style impairs the handling characteristic.

- Adapt your riding speed to the road conditions and your riding ability.



Warning

Danger of accidents The vehicle is not designed to carry passengers.

- Do not ride with a passenger.



Warning

Danger of accidents The brake system fails in the event of overheating.

If the foot brake lever is not released, the brake linings drag continuously.

- Take your foot off the foot brake lever if you do not want to brake.



Warning

Danger of accidents Total weight and axle loads influence the handling characteristic.

- Do not exceed the maximum permissible overall weight or the axle loads.



Warning

Risk of injury People who act without authorization may not be familiar with the vehicle.

- Do not leave the vehicle unattended if the engine is running.
- Protect the vehicle against access by unauthorized persons.



Info

When using the motorcycle, remember that others may be disturbed by excessive noise.

- Ensure that the pre-sales inspection work has been carried out by an authorized KTM workshop.
 - ✓ You will receive a delivery certificate when the vehicle is handed over.
- Read the entire Owner's Manual before riding for the first time.
- Get to know the controls.
- Adjust the basic position of the clutch lever. (📖 p. 93)
- Adjust the basic position of the hand brake lever. (📖 p. 96)

- Adjust the basic position of the foot brake lever. 📖 (📖 p. 104)
- Adjust the basic position of the shift lever. 📖 (📖 p. 135)
- Get used to the handling characteristic of the motorcycle on suitable terrain before undertaking a more challenging ride.



Info

This vehicle is not approved for use on public roads. When off road, it is recommended that you are accompanied by another person on another vehicle so that you can help each other.

- Also, ride as slowly as possible and in a standing position to get a better feel for the motorcycle.
- Do not undertake any off-road trips that exceed your ability and experience.
- Hold the handlebar firmly with both hands and keep your feet on the footrests when riding.

(All SX-F models)

- Do not carry the luggage.

(XC-F US)

- If luggage is carried, ensure it is fixed firmly as close as possible to the center of the vehicle and ensure even weight distribution between the front and rear wheels.



Info

Motorcycles react sensitively to any changes of weight distribution.

- Do not exceed the maximum permissible weight and maximum permissible axle loads.

Guideline

Maximum permissible overall weight	335 kg (739 lb.)
Maximum permissible front axle load	145 kg (320 lb.)
Maximum permissible rear axle load	190 kg (419 lb.)

- Run the engine in. (📖 p. 25)



7.2 Running in the engine

- Do not exceed the specified engine speed and load during the running-in time.

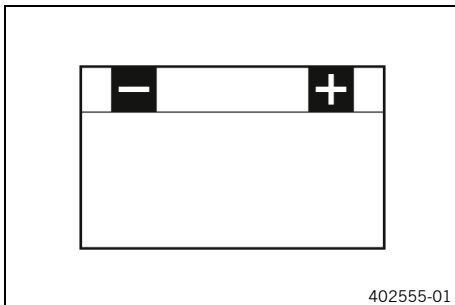
Guideline

Maximum engine speed	
During the first operating hour	7,000 rpm
Maximum engine performance	
During the first 3 operating hours	≤ 75 %

- Avoid fully opening the throttle.



7.3 Starting power of lithium-ion batteries at low temperatures



Lithium-ion batteries are far lighter than lead batteries, have a low self-discharge rate, and have more starting power at temperatures over 6 °C (43 °F).

Several attempts to start may be required. Press the start button for 5 seconds, and wait 15 seconds between attempts. At low temperatures, wait for 30 seconds. The pauses are necessary so that the heat created can distribute through the lithium-ion battery and the lithium-ion battery is not damaged.

The starting power increases as the battery warms up.

Always make sure the lithium-ion battery is charged to that there is enough power to spare for starting at low temperatures.
After 6 unsuccessful starting attempts, do not try again, and check the vehicle for other errors instead.

7.4 Preparing the vehicle for difficult operating conditions

i Info

Use of the vehicle under difficult conditions, such as on sand or on wet and muddy surfaces, can result in significantly increased wear of components, such as the drive train, brake system, or suspension components. For this reason, it may be necessary to inspect or replace parts before the next scheduled service.

- Clean the air filter and air filter box. 🛠️ (📖 p. 79)

i Info

Check the air filter approx. every 30 minutes.

- Prepare air filter box cover for securing. 🛠️ (📖 p. 80)
- Check the electrical connector for humidity and corrosion and to ensure it is firmly seated.
 - » If humidity, corrosion, or damage is found:
 - Clean and dry the connector, or change it if necessary.

Difficult operating conditions are:

- Rides on dry sand. (📖 p. 26)
- Rides on wet sand. (📖 p. 27)
- Rides on wet and muddy circuits. (📖 p. 27)
- Rides at high temperatures or slow riding. (📖 p. 28)
- Riding at low temperatures and in snow. (📖 p. 28)

7.5 Preparing the vehicle for rides on dry sand



- Mount the air filter dust cover.

Air filter dust cover (A46006920000)

i Info

Observe the fitting instructions for **KTM PowerParts**.



- Mount the air filter sand cover.

Air filter sand cover (A46006922000)

i Info

Observe the fitting instructions for **KTM PowerParts**.



- Clean the chain.
- Chain cleaner (📖 p. 167)
- Mount the steel sprocket.
- Grease the chain.
- Universal oil spray (📖 p. 168)
- Clean the radiator fins.
- Straighten the bent radiator fins carefully.



7.6 Preparing the vehicle for rides on wet sand



- Mount the air filter rain cover.

Air filter rain cover (A46006921000)

i Info
Observe the fitting instructions for **KTM PowerParts**.



- Clean the chain.
- Chain cleaner (📖 p. 167)
- Mount the steel sprocket.
- Grease the chain.
- Universal oil spray (📖 p. 168)
- Clean the radiator fins.
- Straighten the bent radiator fins carefully.



7.7 Preparing the vehicle for rides on wet and muddy circuits



- Mount the air filter rain cover.

Air filter rain cover (A46006921000)

i Info
Observe the fitting instructions for **KTM PowerParts**.



- Mount the steel sprocket.
- Clean the motorcycle. (📖 p. 142)
- Straighten the bent radiator fins carefully.

7.8 Preparing vehicle for high temperatures or slow riding



- Adjust the secondary drive to the road conditions.

i **Info**

The engine oil heats up quickly when the clutch is operated frequently due to an excessively high secondary ratio.

- Clean the chain.

Chain cleaner (📖 p. 167)

- Clean the radiator fins.
- Straighten bent radiator fins carefully.
- Check the coolant level. (📖 p. 126)

7.9 Preparing the vehicle for low temperatures or snow



- Mount the air filter rain cover.

Air filter rain cover (A46006921000)

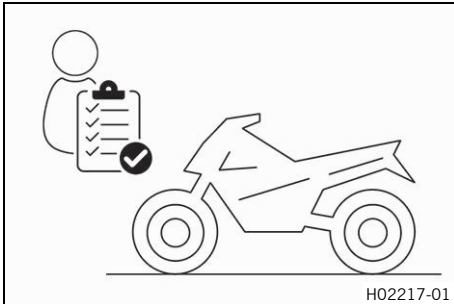
i **Info**

Observe the fitting instructions for **KTM PowerParts**.

8.1 Checks and maintenance measures when preparing for use

i Info

Before every trip, check the condition of the vehicle and ensure that it is safe to operate. The vehicle must be in perfect technical condition when it is being operated.



- Check that the electrical system is functioning properly.
- Check the engine oil level. (📖 p. 137)
- Check the front brake fluid level. (📖 p. 97)
- Check the rear brake fluid level. (📖 p. 104)
- Check that the brake linings of the front brake are secured. (📖 p. 99)
- Check that the brake linings of the rear brake are secured. (📖 p. 106)
- Check the function, condition, and free travel of the brake system.
- Check the coolant level. (📖 p. 126)
- Check for chain dirt accumulation. (📖 p. 86)
- Check the chain, rear sprocket, engine sprocket, and chain guide. (📖 p. 89)
- Check the chain tension. (📖 p. 87)
- Check the tire condition. (📖 p. 114)
- Check tire pressure. (📖 p. 115)
- Check the spoke tension. (📖 p. 115)

i Info

The spoke tension must be checked regularly as incorrect spoke tension will strongly impair riding safety.

- Clean the dust boots of the fork legs. (📖 p. 57)
- Bleed the fork legs. (📖 p. 57)
- Check the air filter and clean if necessary.
- Check the settings of all controls and ensure that they can be operated smoothly.
- Check all screws, nuts, and hose clips regularly for tightness.
- Check the fuel level.



8.2 Starting the vehicle



Danger

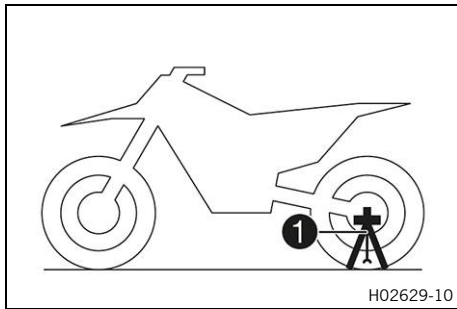
Danger of poisoning Exhaust gases are toxic and inhaling them may result in unconsciousness and death.

- Always make sure there is sufficient ventilation when running the engine.
- Use effective exhaust extraction when starting or running the engine in an enclosed space.

Note

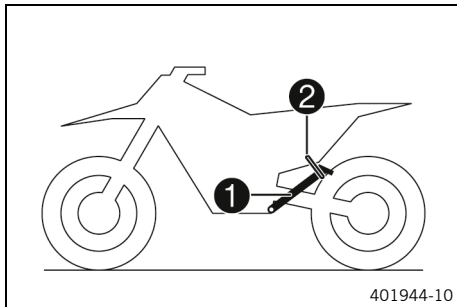
Engine damage High revving speed with a cold engine negatively impacts the lifespan of the engine.

- Always run the engine warm at a low speed.



(All SX-F models)

- Remove plug-in stand ①.



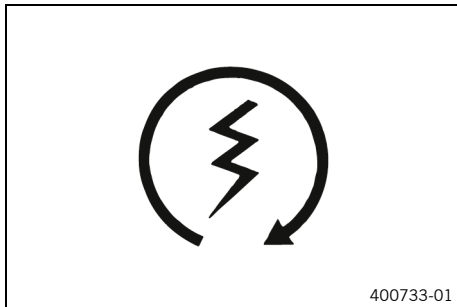
(XC-F US)

- Take the motorcycle off side stand ① and secure the side stand with rubber strap ②.
- Shift the transmission into neutral.

Condition

Ambient temperature: < 20 °C (< 68 °F)

- Push the cold start button in all the way.



- Press start button ③.

i Info

Press the start button for a maximum of 5 seconds. Wait for 15 seconds before a further attempt at starting.

At low temperatures, wait for 30 seconds.

At temperatures below 6 °C (43 °F), several attempts at starting may be necessary to warm-up the lithium-ion battery and thereby increase the starting power.

After 6 unsuccessful starting attempts, do not try again, and check the vehicle for other malfunctions instead.

During the starting process, the malfunction indicator lamp lights up.

8.3 Activating launch control

i Info

The launch control helps the rider to generate optimum motorcycle acceleration at the beginning of a race. The maximum speed of the engine with the throttle valve fully opened (full throttle) is reduced. After the start, it is gradually increased up to the maximum engine speed. The clutch must be operated exactly as it would be without launch control activated.

Condition

The motorcycle is stationary.

The engine is running at idle speed.

The transmission is in neutral.



- Press and hold the TC button ① and the QS button ② simultaneously.
- ✓ The TC indicator lamp and the QS indicator lamp flash when launch control is activated.

i Info
 The launch control is deactivated automatically for a few seconds after the vehicle has started. Launch control is also deactivated in the following cases: if the throttle valve is closed more than 1/3 of the way after full throttle, and/or if there is no start within 3 minutes.
 For safety reasons, the engine must be switched off for at least 10 seconds before the launch control can be activated again, regardless of whether the vehicle has been started or not.
 If the engine has already been running for some time, the engine must first be restarted before the launch control can be activated.

8.4 Activating traction control

i Info
 The traction control reduces excessive slip on the rear wheel in favor of more control and propulsion, particularly in wet conditions.
 When traction control is switched off, the rear wheel may spin more during high acceleration and on surfaces with low grip.
 Traction control can be switched on or off during the ride.
 The setting most recently selected is activated again when restarting.

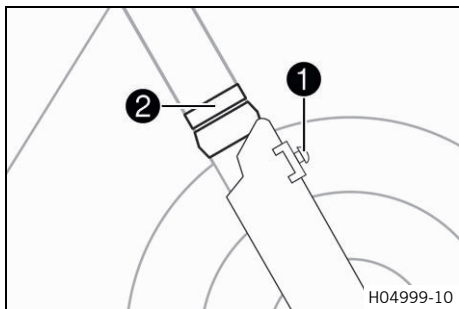


- Press the TC button ① to switch traction control on or off.
- Guideline
- | | |
|--------------|-------------|
| Engine speed | ≤ 4,000 rpm |
|--------------|-------------|
- ✓ The TC indicator lamp lights up when traction control is activated.

8.5 Activating the Factory Start (FACTORY EDITION)

! Warning
Danger of accidents The Factory Start actuator may freeze up in cold weather.
 If the actuator freezes while Factory Start is activated, the fork will not decompress fully. The greatly reduced suspension travel impairs the handling characteristic.

- Check that the actuator moves easily before activating the Factory Start.
- Activate the Factory Start shortly before starting.

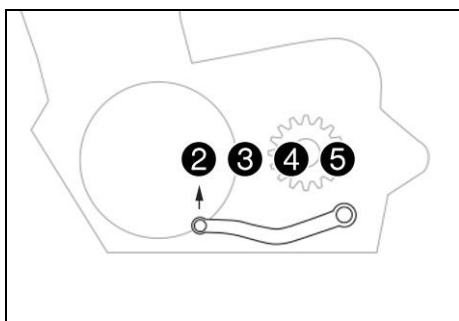


- Check lock button **1** to ensure it can move easily.
- Bend over the handlebars while sitting on the motorcycle. Grip the rim and compress the fork. Press lock button **1** and decompress slowly until the lock button engages in lock ring **2**.
- ✓ When the fork compresses for the first time, the lock button is released automatically.

8.6 Starting off

- Pull the clutch lever, engage 1st gear, release the clutch lever slowly and simultaneously open the throttle carefully.

8.7 Quickshifter

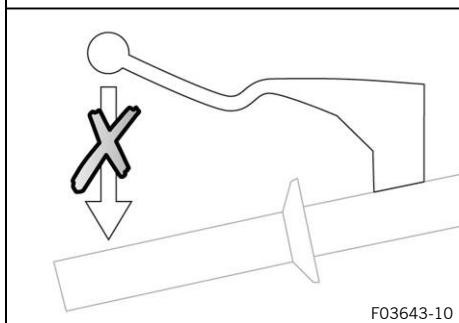


When the quickshifter is activated, you can shift up without actuating the clutch.

i Info

The quickshifter is not activated when shifting up from first to second gear, and the clutch lever must be used when shifting up instead.

Even if the quickshifter is activated, you need to use the clutch lever to shift down.



Because there is no need to close the throttle grip, uninterrupted gear shifts are possible.

The quickshifter uses the shifter shaft position to check whether or not a shift should be initiated, and sends a corresponding signal to the engine control.

If the quickshifter is deactivated, the clutch needs to be actuated in the normal way for each shift.

8.8 Activating the quickshifter



- Press the QS button **1** to switch the quickshifter on or off.
- ✓ The QS indicator lamp lights up when the quickshifter is activated.

i Info

The quickshifter is not activated when shifting up from first to second gear, and the clutch lever must be used when shifting up instead.

Even if the quickshifter is activated, you need to use the clutch lever to shift down.

8.9 Shifting, riding



Warning

Danger of accidents If you change down at high engine speed, the rear wheel blocks and the engine races.

- Do not change into a low gear at high engine speed.



Info

If unusual noises occur while riding, stop immediately, switch off the engine and contact an authorized KTM workshop.

First-gear is used for starting off and for steep inclines.

- Shift into a higher gear when conditions allow (incline, road situation, etc.). To do so, release the throttle while simultaneously pulling the clutch lever, shift into the next gear, release the clutch lever and open the throttle.
- If the cold start button was pushed while starting, open the throttle briefly and release the throttle grip or turn the throttle grip forward.
 - ✓ The cold start button goes to the basic position.
- After reaching maximum speed by fully opening the throttle grip, turn the throttle back so it is $\frac{3}{4}$ open. This will barely reduce the speed, but fuel consumption will be considerably lower.
- Only open the throttle as much as the engine can handle – abrupt throttle grip opening increases fuel consumption.
- To shift down, apply the brakes and close the throttle at the same time.
- Pull the clutch lever and shift into a lower gear, release the clutch lever slowly, and either open the throttle or shift again.
- Switch off the engine if you are likely to be running at idle speed or stationary for a long time.

Guideline

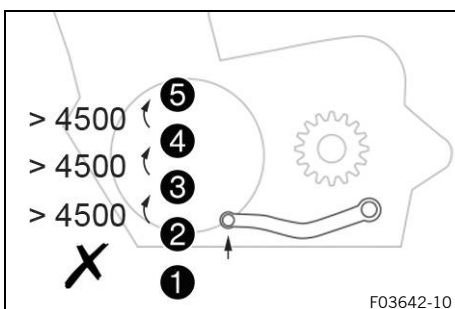
≥ 1 min

- Avoid frequent or lengthy slipping of the clutch. This causes the engine oil, engine and cooling system to heat up.
- Ride at a low engine speed instead of at a high engine speed with a slipping clutch.

Condition

Quickshifter activated.

- If the quickshifter is activated, you can shift up in the engine speed range shown without pulling the clutch lever.





Info

The quickshifter is not activated when shifting up from first to second gear, and the clutch lever must be used when shifting up instead.

The minimum engine speed before shifting up in revolutions per minute is shown in the figure.

Pull the shift lever to the stop quickly without changing the throttle twist grip position.

Even if the quickshifter is activated, you need to use the clutch lever to shift down.

If the shifting performance of the quickshifter starts to decrease, it must be reprogrammed.

8.10 Applying the brakes



Warning

Danger of accidents Excessively forceful application of the brakes blocks the wheels.

- Adjust application of the brakes to the respective riding situation and riding surface conditions.



Warning

Danger of accidents A spongy pressure point on the front or rear brake reduces braking efficiency.

- Check the brake system and do not continue riding until the problem is eliminated. (Your authorized KTM workshop will be glad to help.)



Warning

Danger of accidents Moisture and dirt impair the brake system.

- Brake carefully several times to dry out and remove dirt from the brake linings and the brake discs.

- On sandy, wet, or slippery surfaces, use mostly the rear brake.
- Always finish braking before you go into a bend. Shift down to a lower gear appropriate to your speed.
- Use the braking effect of the engine on long downhill stretches. Shift back one or two gears, but do not over-rev the engine when doing so. This means that significantly less braking is required and the brake system does not overheat.

8.11 Stopping, parking



Warning

Risk of injury People who act without authorization may not be familiar with the vehicle.

- Do not leave the vehicle unattended if the engine is running.
- Protect the vehicle against access by unauthorized persons.



Warning

Danger of burns Some vehicle components become hot when the vehicle is operated.

- Do not touch any parts such as the exhaust system, radiator, engine, damper, or brake system before the vehicle parts have cooled down.
- Let the vehicle parts cool down before you perform any work on the vehicle.

Note

Material damage The vehicle may be damaged by incorrect procedure when parking.


Significant damage may be caused if the vehicle rolls away or falls over.
 The components for parking the vehicle are designed only for the weight of the vehicle.

- Park the vehicle on a firm and level surface.
- Ensure that nobody sits on the vehicle when the vehicle is parked on a stand.

Note

Fire hazard Hot vehicle components pose a fire hazard and explosion risk.

- Do not park the vehicle near to materials which are highly flammable or explosive.
- Allow the vehicle to cool down before covering it.

- Apply the brakes on the motorcycle.
- Shift the transmission to neutral position.
- Press and hold the stop button  while the engine is idling until the engine stops.
- Park the motorcycle on firm ground.



8.12 Transporting

Note

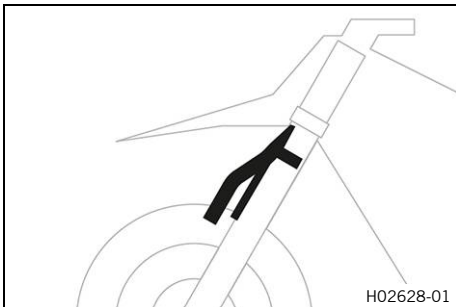
Danger of damage The parked vehicle can roll away or fall over.

- Park the vehicle on a firm and level surface.

Note

Fire hazard Hot vehicle components pose a fire hazard and explosion risk.

- Do not park the vehicle near to materials which are highly flammable or explosive.
- Allow the vehicle to cool down before covering it.



(All SX-F models)

- Switch off the engine.
- Mount plug-in stand on the fork legs.

Plug-in stand (A46029094000)



Info

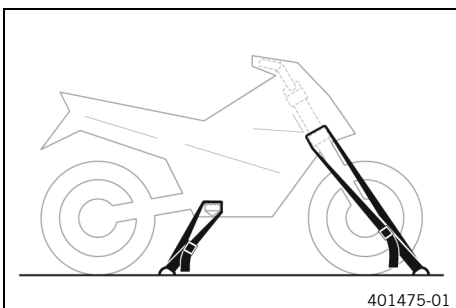
The plug-in stand is included.
 Make sure the brake line runs in front of the plug-in stand and does not become wedged.

- Use tension belts or other suitable devices to secure the motorcycle against falling over or rolling away.



Info

Only tighten the tension belts to the point that the plug-in stand is firmly in contact with the fender and the tires.
 Pay attention to the alignment of the plug-in stand to the fender.



(XC-F US)

- Switch off the engine.
- Use tension belts or other suitable devices to secure the motorcycle against falling over or rolling away.

8.13 Refueling



Danger

Fire hazard Fuel is highly flammable.

The fuel in the fuel tank expands when warm and can escape if overfilled.

- Do not fuel the vehicle in the vicinity of open flames or lit cigarettes.
- Switch off the engine for refueling.
- Make sure that no fuel is spilled; particularly not on hot parts of the vehicle.
- If any fuel is spilled, wipe it off immediately.
- Observe the specifications for refueling.



Warning

Danger of poisoning Fuel is harmful to health.

- Avoid skin, eye and clothing contact with fuel.
- Immediately consult a doctor if you swallow fuel.
- Do not inhale fuel vapors.
- Rinse the affected area immediately with plenty of water in the event of contact with the skin.
- Rinse the eyes thoroughly with water, and consult a doctor in case of fuel contact with the eyes.
- Change your clothing if fuel spills on them.

Note

Material damage Inadequate fuel quality causes the fuel filter to quickly become clogged.

In some countries and regions, the available fuel quality and cleanliness may not be sufficient. This will result in problems with the fuel system.

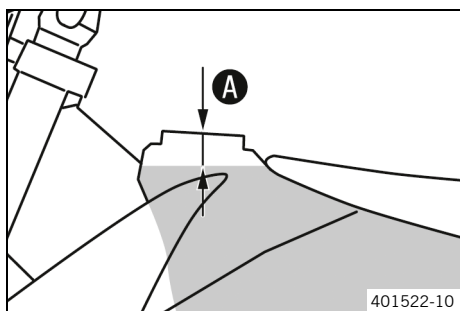
- Refuel only with clean fuel that meets the specified standards. (Your authorized KTM workshop will be glad to help.)



Note

Environmental hazard Improper handling of fuel is a danger to the environment.

- Do not allow fuel to enter the groundwater, the soil, or the sewage system.



- Switch off the engine.
- Open the fuel tank filler cap. (📖 p. 19)
- Fill the fuel tank with fuel up to a maximum of level **A**.

Guideline

Dimension A	35 mm (1.38 in)	
Total fuel tank capacity, approx. (All SX-F models)		
Total fuel tank capacity, approx.	7.2 l (1.9 US gal)	Super unleaded (ROZ 95) (📖 p. 166) (SX-F EU/US)
Total fuel tank capacity, approx.		Super unleaded (RON 95/97) (📖 p. 166) (SX-F BR)
Total fuel tank capacity, approx. (XC-F US)		

Total fuel tank capacity, approx.	8.5 l (2.25 US gal)	Super unleaded (ROZ 95) (📖 p. 166) (XC-F US)
-----------------------------------	------------------------	---

- Close the fuel tank filler cap. (📖 p. 20)



9 SERVICE SCHEDULE

9.1 Additional information

Any further work that results from the service work must be ordered separately and invoiced separately. Different service intervals may apply in your country, depending on the local operating conditions. If the vehicle is used in particularly harsh conditions such as heavy rain, mud, sand, snow, extreme temperatures, frequent full load etc., shorter service intervals than those in the table may be necessary. Individual service intervals and scopes may change in the course of technical developments. The most up-to-date service schedule can always be found on KTM Dealer.net. Your authorized KTM dealer will be happy to advise you.

9.2 Service schedule

	every 24 months				
	Every 90 operating hours				
	Every 45 operating hours				
	Every 15 operating hours				
	After 1 operating hour				
Read out the fault memory using the KTM diagnostics tool. 🛠️	○	●	●	●	●
Program the gear position sensor. 🛠️		●	●	●	
Check that the electrical system is functioning properly.	○	●	●	●	
Check and charge the 12-V battery. 🛠️	○	●	●	●	●
Check that the brake linings of the front brake are secured. (📖 p. 99)	○	●	●	●	●
Check that the brake linings of the rear brake are secured. (📖 p. 106)	○	●	●	●	●
Check the brake discs. (📖 p. 96)	○	●	●	●	●
Check the brake lines for damage and tightness.	○	●	●	●	●
Check the front brake fluid level. (📖 p. 97)	○	●	●		
Change the front brake fluid. 🛠️				●	●
Check the rear brake fluid level. (📖 p. 104)	○	●	●		
Change the rear brake fluid. 🛠️				●	●
Check/correct the fluid level of hydraulic clutch. (📖 p. 93)			●		
Change the hydraulic clutch fluid. 🛠️ (📖 p. 94)				●	●
Check the free travel of the hand brake lever. (📖 p. 96)	○	●	●	●	●
Check the free travel of the foot brake lever. (📖 p. 103)	○	●	●	●	●
Check the idle speed. 🛠️	○	●	●	●	●
Change the engine oil and the oil filter, clean the oil screens. 🛠️ (📖 p. 137)	○	●	●	●	●
Check all hoses (e.g. fuel, cooling, bleeder, drainage hoses, etc.) and sleeves for cracking, tightness, and correct routing. 🛠️	○	●	●	●	●
Check the cables for damage and for routing without kinks. 🛠️		●	●	●	●
Check that the throttle cables are undamaged, routed without kinks, and set correctly. 🛠️		●	●	●	●
Check the frame. 🛠️ (📖 p. 91)		●	●	●	
Check the link fork. 🛠️ (📖 p. 91)		●	●	●	
Check the fork bearing for play. 🛠️			●	●	
Check the shock absorber heim joint for play. 🛠️			●	●	
Check the shock absorber linkage. 🛠️		●	●	●	
Check the tire condition. (📖 p. 114)		●	●	●	●
Check tire pressure. (📖 p. 115)		●	●	●	●
Check the wheel bearing for play. 🛠️		●	●	●	
Check the wheel hubs. 🛠️		●	●	●	

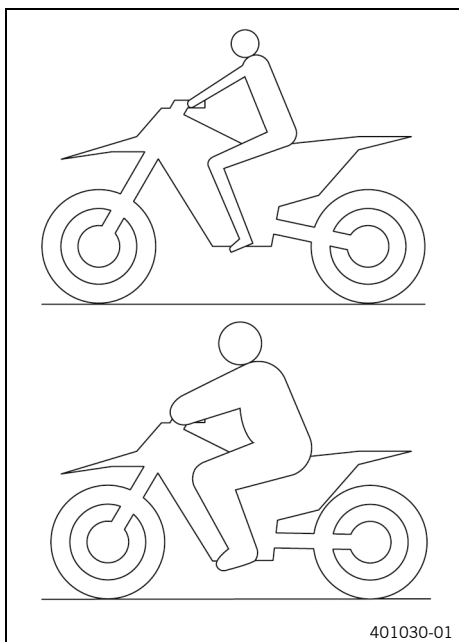
	every 24 months				
	Every 90 operating hours				
	Every 45 operating hours				
	Every 15 operating hours				
	After 1 operating hour				
Check the rim run-out. 🛠️	○	●	●	●	●
Check the spoke tension. (📖 p. 115)	○	●	●	●	●
Check the chain, rear sprocket, engine sprocket, and chain guide. (📖 p. 89)	○	●	●	●	●
Check the chain tension. (📖 p. 87)	○	●	●	●	●
Grease all moving parts (e.g., hand lever, chain,...) and check for smooth operation. 🛠️	○	●	●	●	●
Change the spark plug and spark plug connector. 🛠️			●	●	
Check the valve clearance. 🛠️	○		●	●	
Change the fuel filter. 🛠️				●	●
Check the clutch. 🛠️		●	●	●	
Clean the air filter and air filter box. 🛠️ (📖 p. 79)		●	●	●	●
Check the funnel in the inlet sleeve in the air filter box. 🛠️		●	●	●	●
Change the glass fiber yarn filling of the main silencer. 🛠️ (📖 p. 82)			●	●	
Service the fork. 🛠️			●	●	
Perform the shock absorber service. 🛠️			●	●	
Check all screws, nuts, and hose clips for a tight fit. 🛠️	○	●	●	●	●
Change the fuel screen. 🛠️ (📖 p. 136)	○	●	●	●	●
Check the fuel pressure. 🛠️	○		●	●	●
Check the antifreeze and coolant level. (📖 p. 125)			●	●	
Check the coolant level. (📖 p. 126)	○	●			
Change the coolant. (📖 p. 128)					●
Check the steering head bearing for play. (📖 p. 69)	○	●			
Lubricate the steering head bearing. 🛠️ (📖 p. 71)			●	●	●
Perform minor engine service including removing and installing the engine. (Change the piston, check/measure the cylinder. Check the cylinder head. Check the camshafts and valve train system components. Check the timing assembly. Change the radial shaft seal rings of the water pump. Change the crankshaft seal ring. Change the intake flange. Change inlet sleeve. 🛠️)			●	●	
Perform major engine service, engine is removed. (Change valves, valve springs, valve spring seats, and valve spring retainer. Change the connecting rod, conrod bearing and crank pin. Check the transmission and the shift mechanism. Check the oil pressure control valve. Change the suction pump. Check the force pump and lubrication system. Change the timing chain. Change all engine bearings and all gaskets. Change the free-wheel.) 🛠️				●	
Final check: check vehicle for operating safety. 🛠️	○	●	●	●	●
Take a test ride. 🛠️	○	●	●	●	●
Read out the fault memory using the KTM diagnostics tool after a test ride. 🛠️	○	●	●	●	●
Make a service entry in KTM Dealer.net . 🛠️	○	●	●	●	●

- One-time interval
- Periodic interval

10.1 Checking the basic chassis setting with rider's weight

i Info

When adjusting the basic chassis setting, first adjust the shock absorber and then the fork.



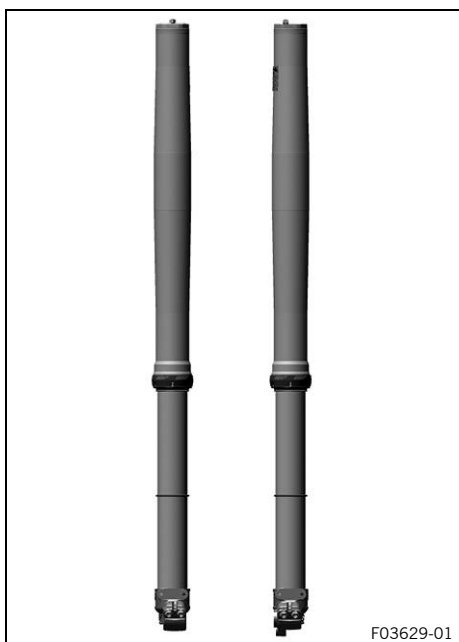
- For optimal motorcycle riding characteristics and to avoid damage to forks, shock absorbers, link fork and frame, the basic settings of the suspension components must match the rider's weight.
- As delivered, KTM offroad motorcycles are adjusted for an average rider's weight (with full protective clothing).

Guideline

Standard rider weight	75 ... 85 kg (165 ... 187 lb.)
-----------------------	--------------------------------

- If the rider's weight is above or below this range, the basic setting of the suspension components must be adjusted accordingly.
- Small weight differences can be compensated by adjusting the spring pretension of the shock absorber, but in the case of large weight differences, the springs must be replaced.

10.2 Air suspension XACT (All SX-F models)



Air suspension **WP XACT** is used in the fork.

In this system, the suspension is located in the left fork leg and damping in the right fork leg.

As fork springs are no longer required, a significant weight advantage is achieved when compared to conventional forks. The response on slightly uneven surfaces is significantly improved.

In normal driving mode, suspension is provided exclusively by an air cushion. A steel spring is located in the left fork leg as an end stop.

i Info

If the fork is frequently overloaded, then the air pressure in the fork must be increased to avoid damage to the fork and frame.

The air pressure in the fork can be quickly adjusted to the rider's weight, surface conditions and the rider's preference using a fork airpump. The fork does not have to be dismantled. The time consuming mounting of harder or softer fork springs is not required. If the air chamber loses air due to a damaged seal, the fork will still not sag. In this case the air is retained in the fork. The suspension travel is maintained as far as possible. The damping becomes harder and the riding comfort reduces.

As with a conventional fork, the damping can be adjusted in rebound and compression stages.

The rebound adjuster is located at the lower end of the right fork leg.

The compression adjuster is located at the upper end of the right fork leg.

10.3 Compression damping of the shock absorber

The compression damping of the shock absorber is divided into two ranges: high-speed and low-speed. High-speed and low-speed refer to the compression speed of the rear wheel suspension and not to the vehicle speed.

The high-speed compression adjuster has an effect, for example, when landing after a jump: the rear wheel suspension compresses quickly.

The low-speed compression adjuster has an effect, for example, when riding over long ground swells: the rear wheel suspension compresses slowly.

These two ranges can be adjusted separately, although the transition between high-speed and low-speed is gradual. Thus, modifications in the high-speed range affect the compression damping in the low-speed range and vice versa.

10.4 Adjusting the low-speed compression damping of the shock absorber



Caution

Risk of injury Parts of the shock absorber will move around if the shock absorber is detached incorrectly.

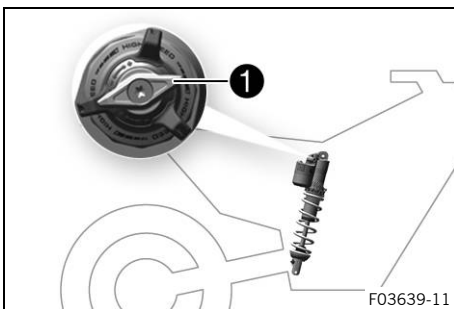
The shock absorber is filled with highly compressed nitrogen.

- Please follow the description provided. (Your authorized KTM workshop will be glad to help.)



Info

The effect of the low-speed compression adjuster can be seen in slow to normal compression of the shock absorber.



- Turn adjuster ① clockwise all the way to the stop.
- Turn counterclockwise by the number of clicks corresponding to the shock absorber type.

Guideline

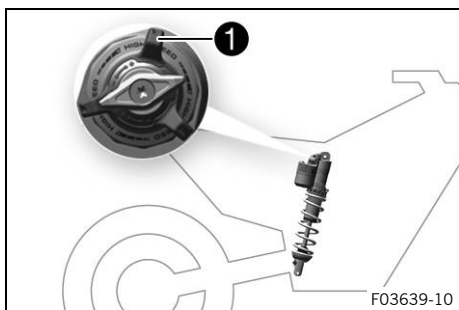
Lowspeed compression damping (SX-F EU/BR)	
Comfort	17 clicks
Standard	15 clicks
Sport	13 clicks
Lowspeed compression damping (SX-F US)	
Comfort	17 clicks
Standard	15 clicks
Sport	13 clicks
Lowspeed compression damping (XC-F US)	
Comfort	17 clicks
Standard	15 clicks
Sport	13 clicks
Lowspeed compression damping (FACTORY EDITION)	
Comfort	17 clicks
Standard	15 clicks
Sport	13 clicks

i Info
Turn clockwise to increase damping; turn counterclockwise to reduce damping.

10.5 Adjusting the high-speed compression damping of the shock absorber

⚠ Caution
Risk of injury Parts of the shock absorber will move around if the shock absorber is detached incorrectly. The shock absorber is filled with highly compressed nitrogen.
– Please follow the description provided. (Your authorized KTM workshop will be glad to help.)

i Info
The effect of the high speed compression adjuster can be seen in the fast compression of the shock absorber.



- Turn adjuster **1** clockwise all the way to the stop.
- Turn counterclockwise by the number of turns corresponding to the shock absorber type.

Guideline

Highspeed compression damping (SX-F EU/BR)	
Comfort	2 turns
Standard	1.5 turns
Sport	1 turn
Highspeed compression damping (SX-F US)	
Comfort	2 turns
Standard	1.5 turns
Sport	1 turn
Highspeed compression damping (XC-F US)	
Comfort	2 turns
Standard	1.5 turns
Sport	1 turn
Highspeed compression damping (FACTORY EDITION)	
Comfort	2 turns
Standard	1.5 turns
Sport	1 turn

i Info
Turn clockwise to increase damping; turn counterclockwise to reduce damping.

10.6 Adjusting the rebound damping of the shock absorber

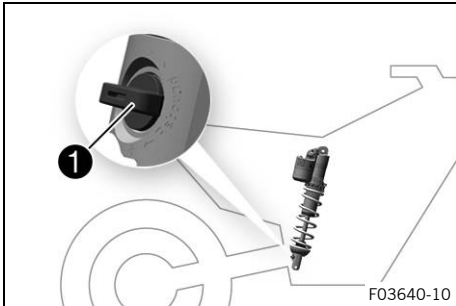


Caution

Risk of injury Parts of the shock absorber will move around if the shock absorber is detached incorrectly.

The shock absorber is filled with highly compressed nitrogen.

- Please follow the description provided. (Your authorized KTM workshop will be glad to help.)



- Turn adjuster ❶ clockwise up to the last perceptible click.
- Turn counterclockwise by the number of clicks corresponding to the shock absorber type.

Guideline

Rebound damping (SX-F EU/BR)	
Comfort	17 clicks
Standard	15 clicks
Sport	13 clicks
Rebound damping (SX-F US)	
Comfort	17 clicks
Standard	15 clicks
Sport	13 clicks
Rebound damping (XC-F US)	
Comfort	17 clicks
Standard	15 clicks
Sport	13 clicks
Rebound damping (FACTORY EDITION)	
Comfort	17 clicks
Standard	15 clicks
Sport	13 clicks



Info

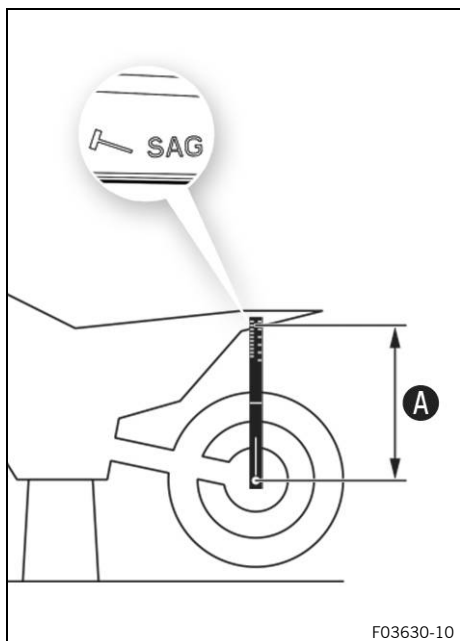
Turn clockwise to increase the damping; turn counterclockwise to reduce damping when the shock absorber rebounds.



10.7 Measuring the dimension of the rear wheel unloaded

Preparatory work

- Raise the motorcycle with a lift stand. (📖 p. 56)



Main work

- Position the sag gage in the rear axle and measure the distance to marking **SAG** on the rear fender.

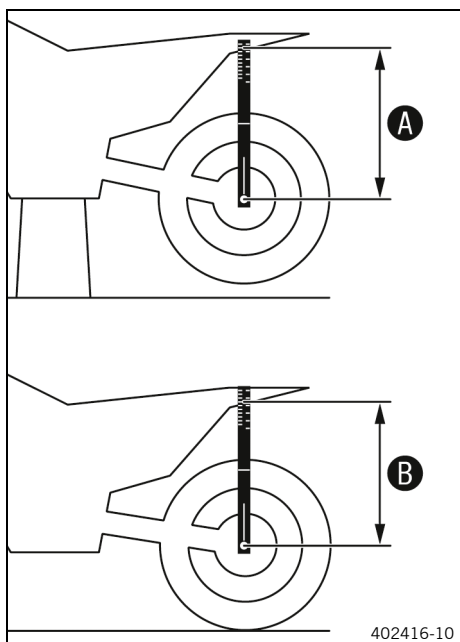
Sag gauge (00029090200)

- Note the value as dimension **A**.

Finishing work

- Remove the motorcycle from the lift stand. (📖 p. 56)

10.8 Checking the static sag of the shock absorber



- Measure dimension **A** of rear wheel unloaded. (📖 p. 43)
- Hold the motorcycle upright with aid of an assistant.
- Measure the distance again between the rear axle and marking **SAG** on the rear fender using the sag gage.
- Note the value as dimension **B**.



Info

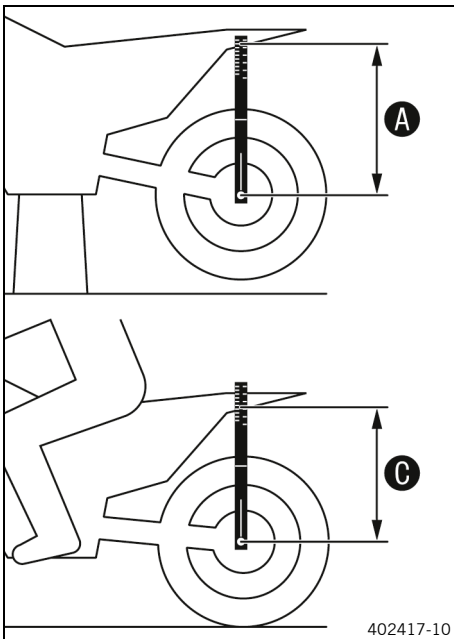
The static sag is the difference between measurements **A** and **B**.

- Check the static sag.

Static sag (SX-F EU/BR)	35 mm (1.38 in)
Static sag (SX-F US)	35 mm (1.38 in)
Static sag (XC-F US)	35 mm (1.38 in)
Static sag (FACTORY EDI-TION)	35 mm (1.38 in)

- » If the static sag is less or more than the specified value:
 - Adjust the spring preload of the shock absorber. (📖 p. 45)

10.9 Checking the rider sag of the shock absorber



- Measure dimension **A** of rear wheel unloaded. (📖 p. 43)
- With another person holding the motorcycle, the rider, wearing full protective clothing, sits on the seat in a normal sitting position (feet on footrests) and bounces up and down a few times.
 - ✓ The rear wheel suspension levels out.
- Another person again measures the distance between the rear axle and marking **SAG** on the rear fender using the sag gage.
- Note the value as dimension **C**.

i Info
The rider sag is the difference between measurements **A** and **C**.

- Check the rider sag.

Riding sag (SX-F EU/BR)	105 mm (4.13 in)
Riding sag (SX-F US)	105 mm (4.13 in)
Riding sag (XC-F US)	105 mm (4.13 in)
Riding sag (FACTORY EDI-TION)	105 mm (4.13 in)

- » If the rider sag differs from the specified measurement:
 - Adjust the rider sag. 🛠️ (📖 p. 46)

10.10 Adjusting the spring preload of the shock absorber 🛠️



Caution

Risk of injury Parts of the shock absorber will move around if the shock absorber is detached incorrectly. The shock absorber is filled with highly compressed nitrogen.

- Please follow the description provided. (Your authorized KTM workshop will be glad to help.)

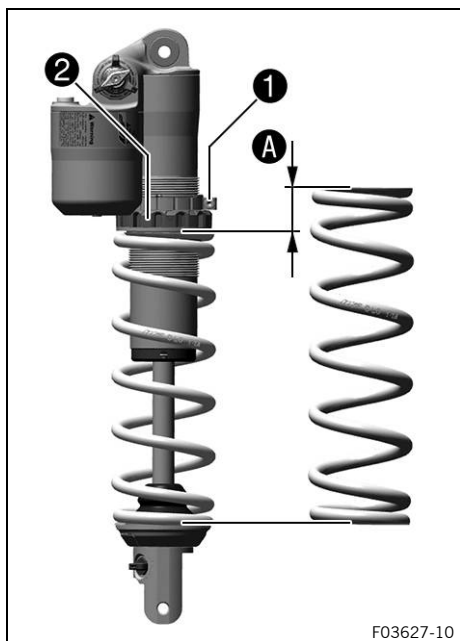


Info

Note the current adjustment before changing the spring preload - e.g. measure the spring length.

Preparatory work

- Remove main silencer. (📖 p. 81)
- Remove the frame protector. (📖 p. 61)
- Raise the motorcycle with a lift stand. (📖 p. 56)
- Remove the shock absorber. 🛠️ (📖 p. 73)
- After removing the shock absorber, clean it thoroughly.



Main work

- Loosen screw ①.
- Turn adjusting ring ② until the spring is no longer under tension.

Hook wrench (90129051000)

i Info
If the spring cannot be fully released, the spring must be removed to accurately measure the spring length.

- Measure the total spring length while the spring is not under tension.
- Tension the spring by turning adjusting ring ② to specified dimension A.

Guideline

Spring preload (SX-F EU/BR)	8 mm (0.31 in)
Spring preload (SX-F US)	8 mm (0.31 in)
Spring preload (XC-F US)	8 mm (0.31 in)
Spring preload (FACTORY EDITION)	8 mm (0.31 in)

i Info
Depending on the static sag and/or the rider sag, it may be necessary to increase or decrease the spring preload.

- Tighten screw ①.

Guideline

Screw, shock absorber adjusting ring	M5	5 Nm (3.7 lbf ft)
--------------------------------------	----	-------------------

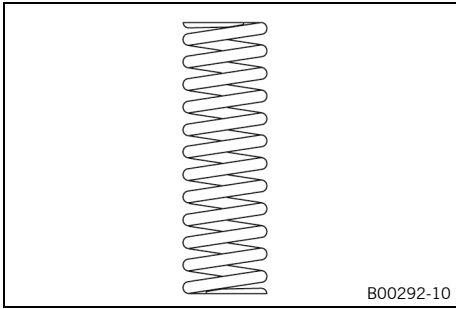
Finishing work

- Install the shock absorber. 🛠️ (📖 p. 74)
- Check the free travel of the foot brake lever. (📖 p. 103)
- Remove the motorcycle from the lift stand. (📖 p. 56)
- Install the frame protector. (📖 p. 61)
- Install the main silencer. (📖 p. 81)

10.11 Adjusting the riding sag 🛠️

Preparatory work

- Remove main silencer. (📖 p. 81)
- Remove the frame protector. (📖 p. 61)
- Raise the motorcycle with a lift stand. (📖 p. 56)
- Remove the shock absorber. 🛠️ (📖 p. 73)
- After removing the shock absorber, clean it thoroughly.



Main work

- Select and mount a suitable spring.

Guideline

Spring rate (SX-F EU/BR)	
Weight of rider: 65 ... 75 kg (143 ... 165 lb.)	42 N/mm (240 lb/in)
Weight of rider: 75 ... 85 kg (165 ... 187 lb.)	45 N/mm (257 lb/in)
Weight of rider: 85 ... 95 kg (187 ... 209 lb.)	48 N/mm (274 lb/in)
Spring rate (SX-F US)	
Weight of rider: 65 ... 75 kg (143 ... 165 lb.)	42 N/mm (240 lb/in)
Weight of rider: 75 ... 85 kg (165 ... 187 lb.)	45 N/mm (257 lb/in)
Weight of rider: 85 ... 95 kg (187 ... 209 lb.)	48 N/mm (274 lb/in)
Spring rate (XC-F US)	
Weight of rider: 65 ... 75 kg (143 ... 165 lb.)	42 N/mm (240 lb/in)
Weight of rider: 75 ... 85 kg (165 ... 187 lb.)	45 N/mm (257 lb/in)
Weight of rider: 85 ... 95 kg (187 ... 209 lb.)	48 N/mm (274 lb/in)
Spring rate (FACTORY EDITION)	
Weight of rider: 65 ... 75 kg (143 ... 165 lb.)	42 N/mm (240 lb/in)
Weight of rider: 75 ... 85 kg (165 ... 187 lb.)	45 N/mm (257 lb/in)
Weight of rider: 85 ... 95 kg (187 ... 209 lb.)	48 N/mm (274 lb/in)



Info

The spring rate is shown on the outside of the spring.

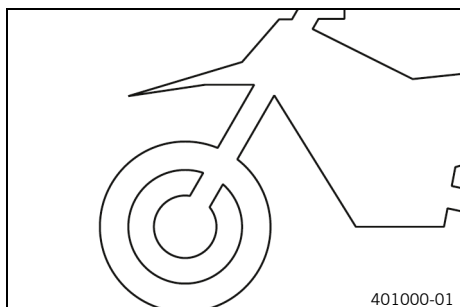
Finishing work

- Install the shock absorber. (🔧 p. 74)
- Check the free travel of the foot brake lever. (🔧 p. 103)
- Install the frame protector. (🔧 p. 61)
- Install the main silencer. (🔧 p. 81)
- Check the static sag of the shock absorber. (🔧 p. 44)
- Check the rider sag of the shock absorber. (🔧 p. 45)
- Adjust the rebound damping of the shock absorber. (🔧 p. 43)
- Remove the motorcycle from the lift stand. (🔧 p. 56)

10.12 Checking the basic setting of the fork

i Info

For various reasons, no exact rider sag can be determined for the fork.



- Smaller differences in the rider's weight can be compensated for by the fork air pressure.
- However, if the fork frequently bottoms out (hard end stop on compression), the fork air pressure must be increased, within the specified values, to avoid damage to the fork and frame.
- If the fork feels unusually hard after extended periods of operation, the fork legs need to be bled.

10.13 Adjusting the fork air pressure (All SX-F models)



Warning

Danger of accidents Modifications to the suspension setting may seriously alter the handling characteristic.

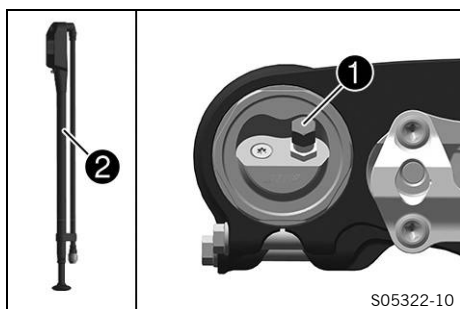
Modifications which are not coordinated with others to the suspension setting may cause a serious deterioration in the handling characteristic and overload components.

- Only make adjustments within the recommended range.
- Ride slowly to start with after making adjustments to get the feel of the new handling characteristic.

i Info

Check or adjust the air pressure under the same conditions at the earliest 5 minutes after switching off the engine.

The air suspension is located in the left fork leg. The pressure and rebound damping is located in the right fork leg.



Preparatory work

- Raise the motorcycle with a lift stand. (📖 p. 56)

Main work

- Remove protection cap **1**.
- Push together fork airpump **2** fully.

Fork airpump (79412966100)

i Info

The fork airpump is included as part of the motorcycle's accessory pack.

- Connect the fork airpump to the left fork leg.
 - ✓ The fork airpump indicator switches on automatically.
 - ✓ A little air escapes from the fork leg when connecting.



Info

This is due to the volume of the hose and not due to a defect in the fork airpump or the fork.
Read the accompanying **KTM PowerParts** instructions.

- Adjust the air pressure as specified.

Guideline

Air pressure (SX-F EU/BR)	10.4 bar (151 psi)
Air pressure (SX-F US)	10.7 bar (155 psi)
Air pressure (FACTORY EDITION)	10.5 bar (152 psi)
Gradual changing of the air pressure in steps of	0.2 bar (3 psi)
Minimum air pressure	7 bar (102 psi)
Maximum air pressure	12 bar (174 psi)



Info

Never adjust the air pressure to a value outside the stated range.

- Disconnect the fork airpump from the left fork leg.
 - ✓ When disconnecting, excess pressure will escape from the hose – the fork leg itself does not lose any air.
 - ✓ The fork airpump indicator switches off automatically after 80 seconds.
- Mount the protection cap.



Info

Only mount the protection cap by hand.

Finishing work

- Remove the motorcycle from the lift stand. (📖 p. 56)

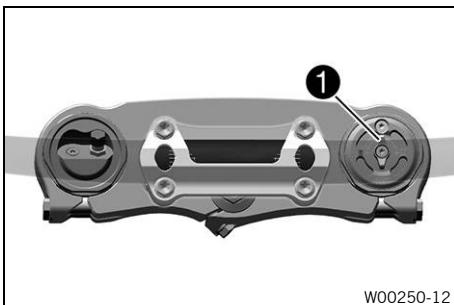


10.14 Adjusting the compression damping of the fork



Info

The hydraulic compression damping determines the fork suspension behavior.



(All SX-F models)

- Turn adjuster **1** clockwise all the way to the stop.



Info

Adjuster **1** is located at the upper end of the right fork leg.

- Turn counterclockwise by the number of clicks corresponding to the fork type.

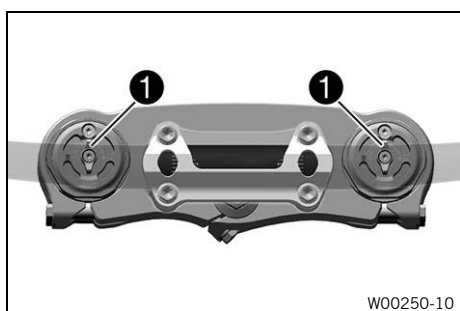
Guideline

Compression damping (SX-F EU/BR)	
Comfort	17 clicks
Standard	12 clicks
Sport	7 clicks
Compression damping (SX-F US)	
Comfort	17 clicks
Standard	12 clicks
Sport	7 clicks
Compression damping (FACTORY EDITION)	
Comfort	17 clicks
Standard	12 clicks
Sport	7 clicks



Info

Turn clockwise to increase damping; turn counterclockwise to reduce damping during compression.



(XC-F US)

- Turn adjusters ① clockwise all the way to the stop.



Info

Adjusters ① are located at the top end of the fork legs.

- Turn counterclockwise by the number of clicks corresponding to the fork type.

Guideline

Compression damping	
Comfort	17 clicks
Standard	12 clicks
Sport	7 clicks



Info

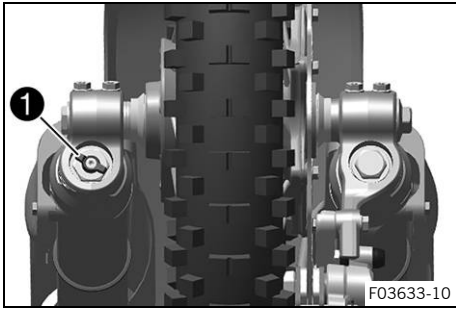
Turn clockwise to increase damping; turn counterclockwise to reduce damping during compression.

10.15 Adjusting the rebound damping of the fork



Info

The hydraulic rebound damping determines the fork suspension behavior.



(All SX-F models)

- Turn adjuster ① clockwise all the way to the stop.



Info

Adjuster ① is located at the lower end of the right fork leg.

- Turn counterclockwise by the number of clicks corresponding to the fork type.

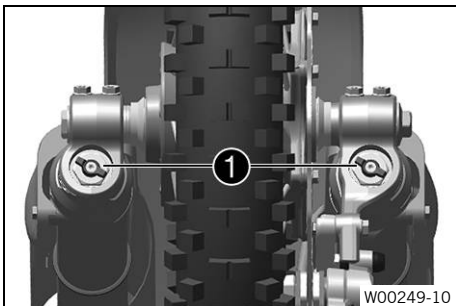
Guideline

Rebound damping (SX-F EU/BR)	
Comfort	17 clicks
Standard	12 clicks
Sport	7 clicks
Rebound damping (SX-F US)	
Comfort	23 clicks
Standard	18 clicks
Sport	13 clicks
Rebound damping (FACTORY EDITION)	
Comfort	23 clicks
Standard	18 clicks
Sport	13 clicks



Info

Turn clockwise to increase the damping; turn counterclockwise to reduce damping when the shock absorber rebounds.



(XC-F US)

- Turn adjusters ① clockwise all the way to the stop.



Info

Adjusters ① are located at the bottom end of the fork legs.

- Turn counterclockwise by the number of clicks corresponding to the fork type.

Guideline

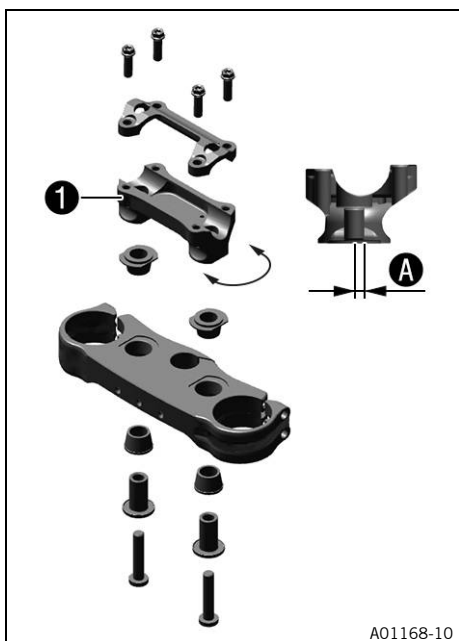
Rebound damping	
Comfort	23 clicks
Standard	18 clicks
Sport	13 clicks



Info

Turn clockwise to increase the damping; turn counterclockwise to reduce damping when the shock absorber rebounds.

10.16 Handlebar position



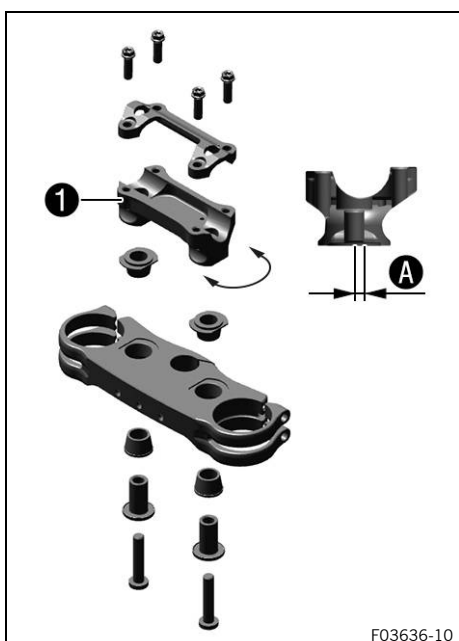
(All standard models)

The holes on the handlebar support **1** are placed at a distance of **A** from the center.

Hole distance A	3.5 mm (0.138 in)
-----------------	-------------------

The handlebar can be mounted in 2 different positions. This allows the handlebar to be mounted in the most comfortable position for the rider.

i Info
In addition, the handlebar can be mounted rigidly or on a rubber bearing.



(FACTORY EDITION)

The holes on the handlebar support **1** are placed at a distance of **A** from the center.

Hole distance A	3.5 mm (0.138 in)
-----------------	-------------------

The handlebar can be mounted in 2 different positions. This allows the handlebar to be mounted in the most comfortable position for the rider.

i Info
In addition, the handlebar can be mounted rigidly or on a rubber bearing.

10.17 Adjusting the handlebar position



Warning

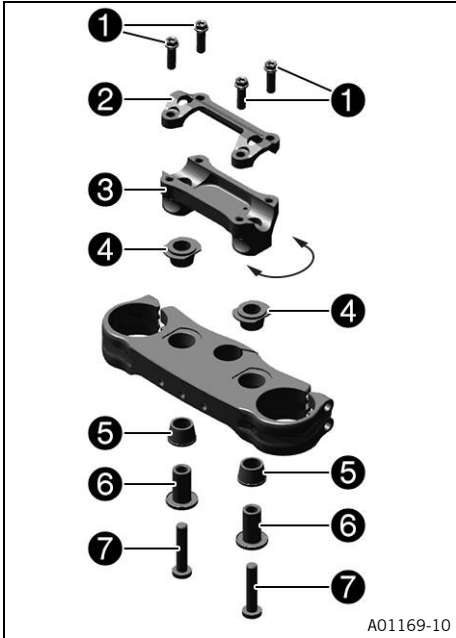
Danger of accidents A repaired handlebar poses a safety risk.

If the handlebar is bent or straightened, the material becomes fatigued. The handlebar may break as a result.

- Change the handlebar if the handlebar is damaged or bent.

i Info

The handlebar can be mounted rigidly or on a rubber bearing.



Preparatory work

- Take off the handlebar cushion.

Main work

(All standard models)

- Remove screws **1**. Take off handlebar clamp **2**. Take off the handlebar and lay it to one side.

i Info

Cover the components to protect them against damage.
Do not kink the cables or lines.

- Remove screws **7** and bushing **6**. Take off handlebar support **3**.

Adjusting the handlebar position with the handlebar clamp in the rubber bearing (All standard models)

- Position the rubber bushings **4** and **5**.
- Place the handlebar support in the required position.

i Info

The handlebar support is longer and higher on one side.

- Mount and tighten the screws **7** with bushing **6**.

Guideline

Screw, handlebar support	M10	40 Nm (29.5 lbf ft) Loctite®243™
--------------------------	-----	--

- Position the handlebar.

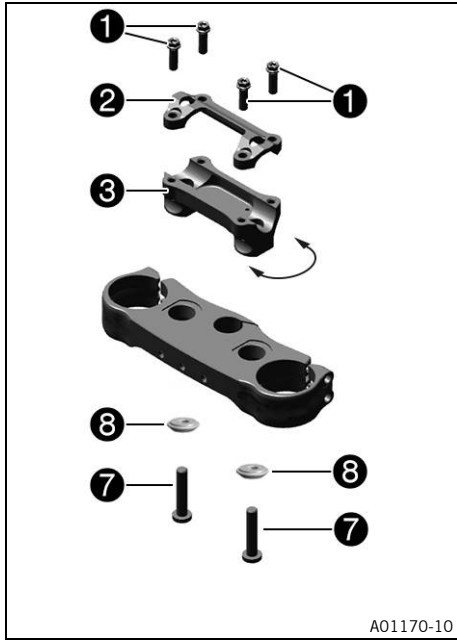
i Info

Make sure the cables and wiring are positioned correctly.

- Position handlebar clamp **2**.
- Mount screws **1**, but do not tighten yet.
- First bolt the handlebar clamp with screws **1** onto the longer, higher side of the handlebar supports so that both parts touch.
- Tighten screws **1** evenly.

Guideline

Screw, handlebar clamp	M8	20 Nm (14.8 lbf ft)
------------------------	----	------------------------



Adjusting the handlebar position with the handlebar clamp (All standard models)

- Place the handlebar support in the required position.



Info

The handlebar support is longer and higher on one side.

- Mount and tighten the screws 7 with the bushings 8.

Guideline

Screw, handlebar support	M10	40 Nm (29.5 lbf ft) Loctite®243™
--------------------------	-----	--

Rigid handlebar support bushing (A46001038010)

- ✓ The conical side of bushing faces downwards.

- Position the handlebar.



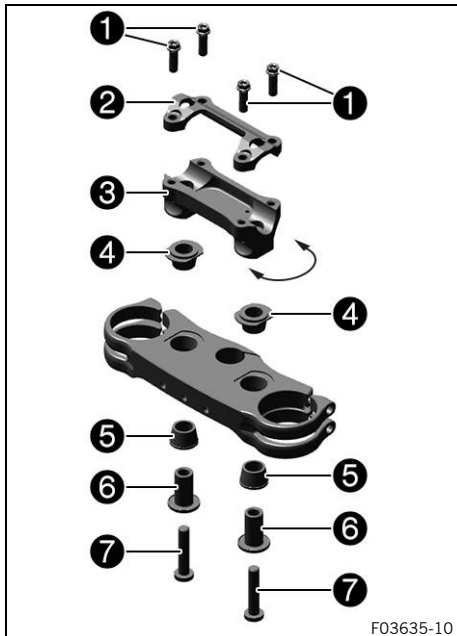
Info

Make sure the cables and wiring are positioned correctly.

- Position handlebar clamp 2.
- Mount screws 1, but do not tighten yet.
- First bolt the handlebar clamp with screws 1 onto the longer, higher side of the handlebar supports so that both parts touch.
- Tighten screws 1 evenly.

Guideline

Screw, handlebar clamp	M8	20 Nm (14.8 lbf ft)
------------------------	----	------------------------



(FACTORY EDITION)

- Remove screws 1. Take off handlebar clamp 2. Take off the handlebar and lay it to one side.



Info

Cover the components to protect them against damage.

Do not kink the cables or lines.

- Remove screws 7 and bushing 6. Take off handlebar support 3.

Adjusting the handlebar position with the handlebar clamp in the rubber bearing (FACTORY EDITION)

- Position the rubber bushings 4 and 5.
- Place the handlebar support in the required position.



Info

The handlebar support is longer and higher on one side.

- Mount and tighten the screws 7 with bushing 6.

Guideline

Screw, handlebar support	M10	40 Nm (29.5 lbf ft) Loctite®243™
--------------------------	-----	--

- Position the handlebar.

i Info
Make sure the cables and wiring are positioned correctly.

- Position handlebar clamp ②.
- Mount screws ①, but do not tighten yet.
- First bolt the handlebar clamp with screws ① onto the longer, higher side of the handlebar supports so that both parts touch.
- Tighten screws ① evenly.

Guideline

Screw, handlebar clamp	M8	20 Nm (14.8 lbf ft)
------------------------	----	---------------------

Adjusting the handlebar position with the handlebar clamp (FACTORY EDITION)

- Place the handlebar support in the required position.

i Info
The handlebar support is longer and higher on one side.

- Mount and tighten the screws ⑦ with the bushings ⑧.

Guideline

Screw, handlebar support	M10	40 Nm (29.5 lbf ft) Loctite®243™
--------------------------	-----	--

Rigid handlebar support bushing (A46001038010)

- ✓ The conical side of bushing faces downwards.

- Position the handlebar.

i Info
Make sure the cables and wiring are positioned correctly.

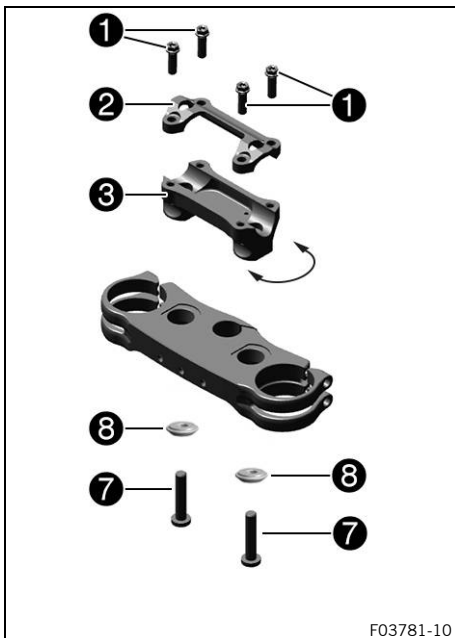
- Position handlebar clamp ②.
- Mount screws ①, but do not tighten yet.
- First bolt the handlebar clamp with screws ① onto the longer, higher side of the handlebar supports so that both parts touch.
- Tighten screws ① evenly.

Guideline

Screw, handlebar clamp	M8	20 Nm (14.8 lbf ft)
------------------------	----	---------------------

Finishing work

- Mount the handlebar cushion.



F03781-10

11.1 Raising the motorcycle with a lift stand

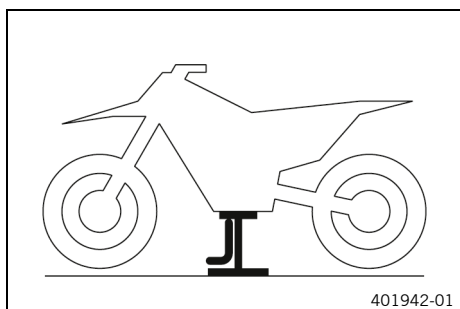
Note

Material damage The vehicle may be damaged by incorrect procedure when parking.

Significant damage may be caused if the vehicle rolls away or falls over.

The components for parking the vehicle are designed only for the weight of the vehicle.

- Park the vehicle on a firm and level surface.
- Ensure that nobody sits on the vehicle when the vehicle is parked on a stand.



(SX-F EU/US, SX-F EU/BR)

- Remove the plug-in stand and lift up the motorcycle by the frame underneath the engine.

Lift stand (78129955100)

- ✓ Neither wheel is in contact with the ground.

(FACTORY EDITION)

- Remove the plug-in stand and lift up the motorcycle by the motor guard underneath the engine.

Lift stand (78129955100)

- ✓ Neither wheel is in contact with the ground.

(XC-F US)

- Fold in the side stand and raise the motorcycle at the frame underneath the engine.

Lift stand (78129955100)

- ✓ Neither wheel is in contact with the ground.
- Secure the motorcycle against falling over.

11.2 Removing the motorcycle from the lift stand

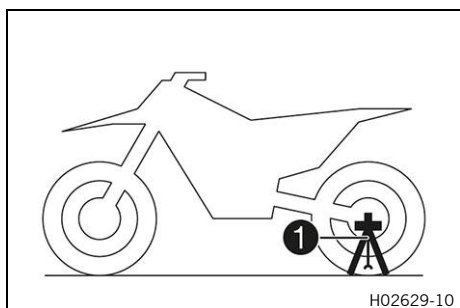
Note

Material damage The vehicle may be damaged by incorrect procedure when parking.

Significant damage may be caused if the vehicle rolls away or falls over.

The components for parking the vehicle are designed only for the weight of the vehicle.

- Park the vehicle on a firm and level surface.
- Ensure that nobody sits on the vehicle when the vehicle is parked on a stand.



(All SX-F models)

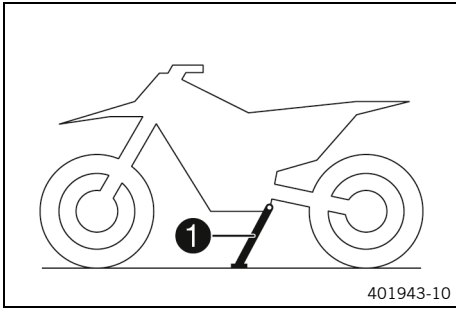
- Remove the motorcycle from the lift stand.
- Remove the lift stand.
- To park the motorcycle, insert plug-in stand ① into the left side of the wheel spindle.

Plug-in stand (A46029094000)



Info

The plug-in stand is included.
Remove the plug-in stand before riding.



(XC-F US)

- Remove the motorcycle from the lift stand.
- Remove the lift stand.
- To park the motorcycle, press side stand **1** to the ground with your foot and lean the motorcycle on it.



Info

When you are riding, the side stand must be folded up and secured with the rubber strap.

11.3 Bleeding the fork legs

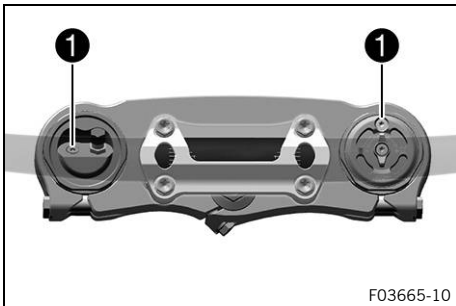
Preparatory work

- Raise the motorcycle with a lift stand. (📖 p. 56)

Main work

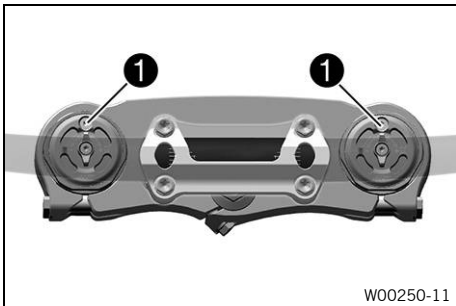
(All SX-F models)

- Release bleeder screws **1**.
 - ✓ Any excess pressure escapes from the interior of the fork.
- Tighten the bleeder screws.



(XC-F US)

- Release bleeder screws **1**.
 - ✓ Any excess pressure escapes from the interior of the fork.
- Tighten the bleeder screws.



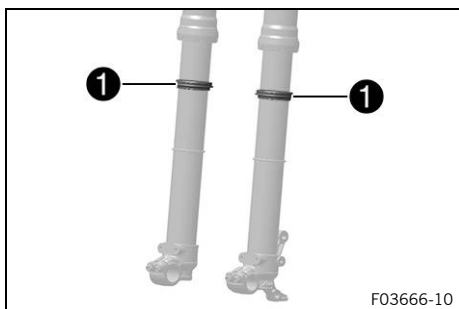
Finishing work

- Remove the motorcycle from the lift stand. (📖 p. 56)

11.4 Cleaning the dust boots of the fork legs

Preparatory work

- Raise the motorcycle with a lift stand. (📖 p. 56)
- Remove the fork protector. (📖 p. 58)



Main work

- Push dust boots ① of both fork legs downward.



Info

The dust boots remove dust and coarse dirt particles from the inside fork tubes. Over time, dirt can accumulate behind the dust boots. If this dirt is not removed, the oil seals behind can start to leak.



Warning

Danger of accidents Oil or grease on the brake discs reduces the braking effect.

- Always keep the brake discs free of oil and grease.
- Clean the brake discs with brake cleaner when necessary.

- Clean and oil the dust boots and inner fork tubes of both fork legs.

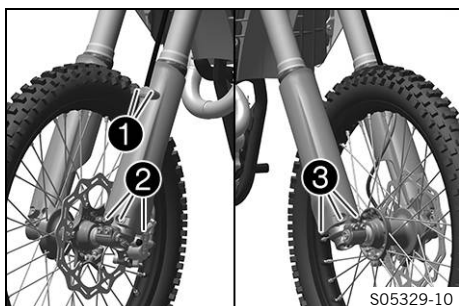
Universal oil spray (📖 p. 168)

- Press the dust boots back into their installation position.
- Remove excess oil.

Finishing work

- Install the fork protector. (📖 p. 59)
- Remove the motorcycle from the lift stand. (📖 p. 56)

11.5 Removing the fork protector

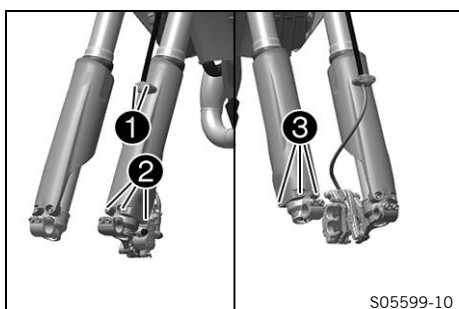


(All standard models)

- Remove screws ① and take off the clamp.
- Remove screws ② and take off the left fork protector.
- Remove screws ③ and take off the right fork protector.

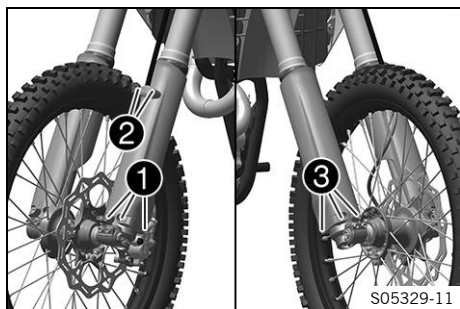
(FACTORY EDITION)

- Remove the front wheel. 🛠️ (📖 p. 109)



- Remove screws ① and take off the clamp.
- Remove screws ② and take off the left fork protector.
- Remove screws ③ and take off the right fork protector.

11.6 Installing the fork protector



(All standard models)

- Position the fork protector on left fork leg. Mount and tighten screws **1**.

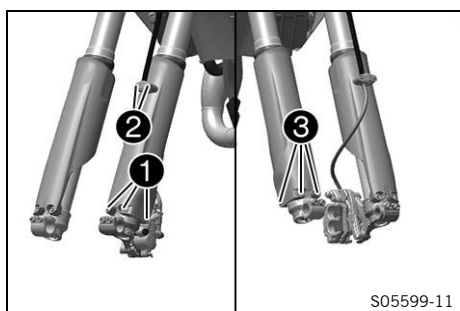
Guideline

Remaining screws, chassis	M6	10 Nm (7.4 lbf ft)
---------------------------	----	--------------------

- Position the brake line and the clamp. Mount and tighten screws **2**.
- Position the fork protector on the right fork leg. Mount and tighten screws **3**.

Guideline

Remaining screws, chassis	M6	10 Nm (7.4 lbf ft)
---------------------------	----	--------------------



(FACTORY EDITION)

- Position the fork protector on left fork leg. Mount and tighten screws **1**.

Guideline

Remaining screws, chassis	M6	10 Nm (7.4 lbf ft)
---------------------------	----	--------------------

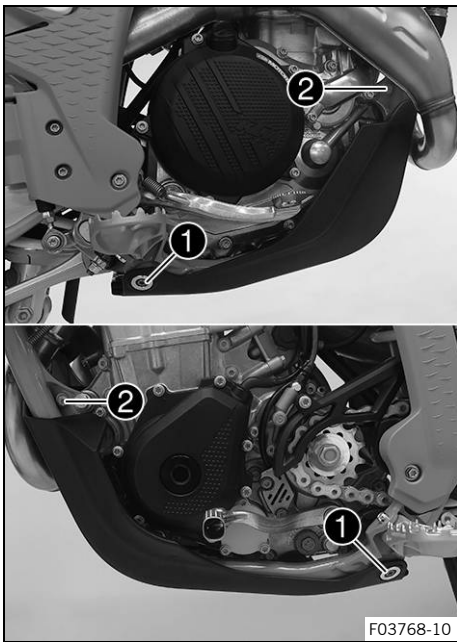
- Position the brake line and the clamp. Mount and tighten screws **2**.
- Position the fork protector on the right fork leg. Mount and tighten screws **3**.

Guideline

Remaining screws, chassis	M6	10 Nm (7.4 lbf ft)
---------------------------	----	--------------------

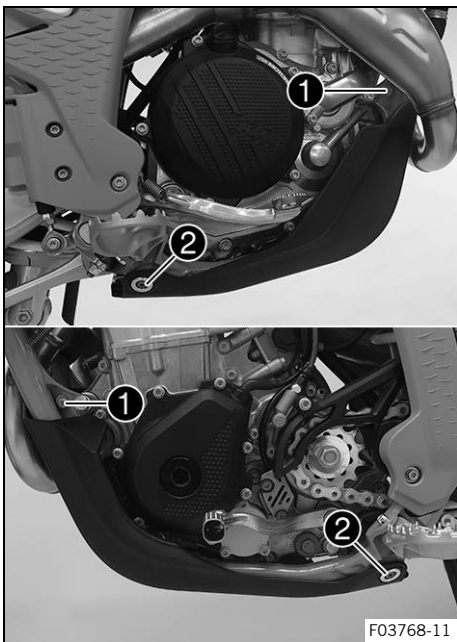
- Install the front wheel. 📖 (p. 111)

11.7 Removing the engine guard (XC-F US, FACTORY EDITION)



- Remove screws **1** with the bushings.
- Remove screws **2**. Take off the engine guard.

11.8 Installing the engine guard (XC-F US, FACTORY EDITION)



- Position the engine guard on the frame.
- Mount screws **1**, but do not tighten yet.

Guideline

Remaining screws, chassis	M6	10 Nm (7.4 lbf ft)
---------------------------	----	--------------------

- Mount screws **2** with bushings, but do not tighten yet.

Guideline

Remaining screws, chassis	M6	10 Nm (7.4 lbf ft)
---------------------------	----	--------------------

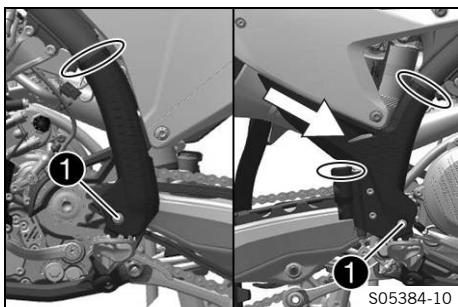
✓ The engine guard is directed evenly toward the front.

- Tighten all the screws of the engine guard.

Guideline

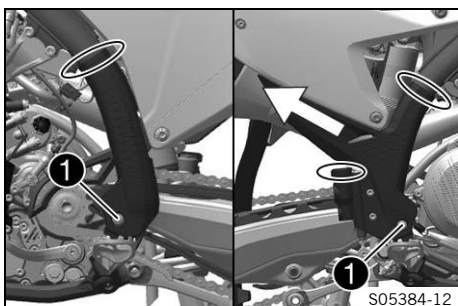
Remaining screws, chassis	M6	10 Nm (7.4 lbf ft)
---------------------------	----	--------------------

11.9 Removing the frame protector



- Remove the cable ties.
- Remove screws ① with the bushings.
- Take off the left frame protector.
- Push the right frame protector to the front and take off at the bottom.

11.10 Installing the frame protector



- Position the left frame protector.
- Insert the right frame protector from below and push it to the rear.
- Mount screws ① with the bushings and tighten.

Guideline

Screw, frame protector	M5	3 Nm (2.2 lbf ft)
------------------------	----	-------------------

- Secure the frame protector with cable ties.

11.11 Removing the fork legs

Preparatory work

- Raise the motorcycle with a lift stand. (📖 p. 56)
- Remove the front wheel. 🛠️ (📖 p. 109)

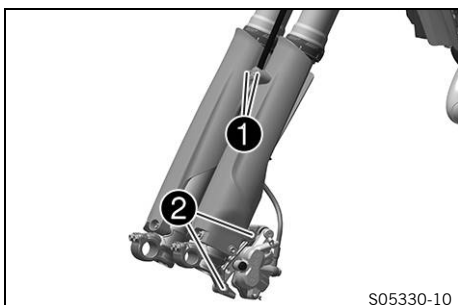
Main work

- Remove screws ① and take off the clamp.
- Remove screws ② and take off the brake caliper.
- Allow the brake caliper and the brake line to hang loosely to the side.



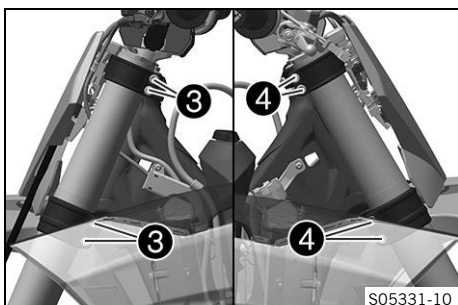
Info

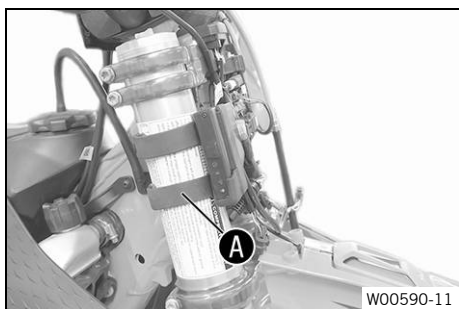
Do not actuate the hand brake lever when the front wheel is removed.



(All standard models)

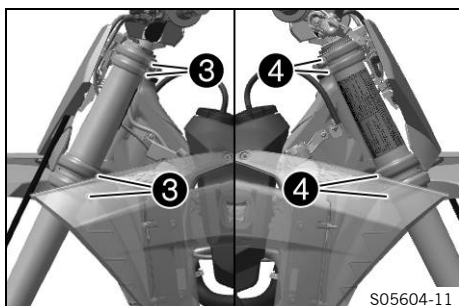
- Loosen screws ③. Remove the left fork leg.
- Loosen screws ④. Remove the right fork leg.





(FACTORY EDITION)

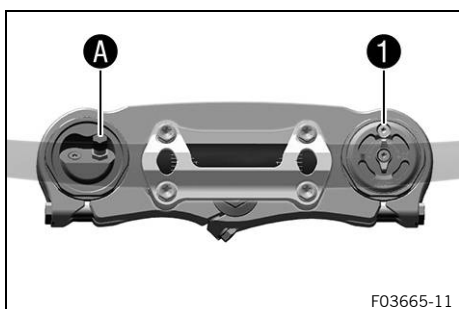
- Detach rubber strap **A** and the Connectivity Unit from the right fork leg and hang to the side.



(FACTORY EDITION)

- Loosen screws **3**. Remove the left fork leg.
- Loosen screws **4**. Remove the right fork leg.

11.12 Installing the fork legs

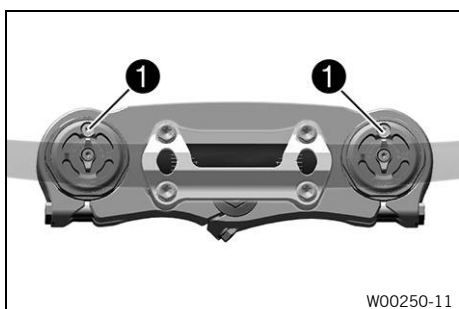


Main work

(All SX-F models)

- Position the fork legs.
 - ✓ Air bleeder screw **1** of the right fork leg is positioned to the front.
 - ✓ Valve **A** of the left fork leg faces the front.

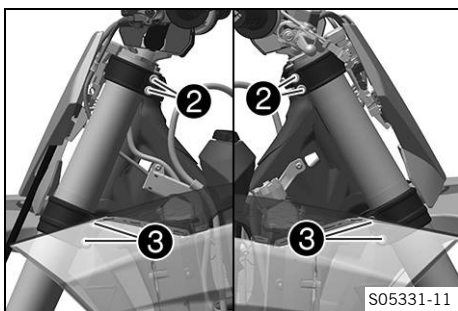
i Info
Grooves are milled into the side of the upper end of the fork legs. The second milled groove (from the top) must be flush with the upper edge of the upper triple clamp.
The air suspension is located in the left fork leg. The pressure and rebound damping is located in the right fork leg.



(XC-F US)

- Position the fork legs.
 - ✓ Air bleeder screw **1** of the fork leg is positioned to the front.

i Info
Grooves are milled into the side of the upper end of the fork legs. The second milled groove (from the top) must be flush with the upper edge of the upper triple clamp.
The pressure and rebound damping is located in the left and right fork leg.



(All standard models)

- Tighten screws ②.

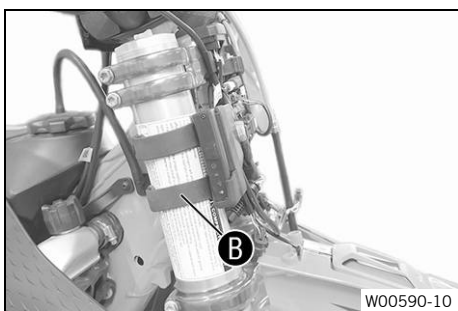
Guideline

Screw, top triple clamp	M8	17 Nm (12.5 lbf ft)
-------------------------	----	------------------------

- Tighten screws ③.

Guideline

Screw, bottom triple clamp	M8	12 Nm (8.9 lbf ft)
----------------------------	----	--------------------

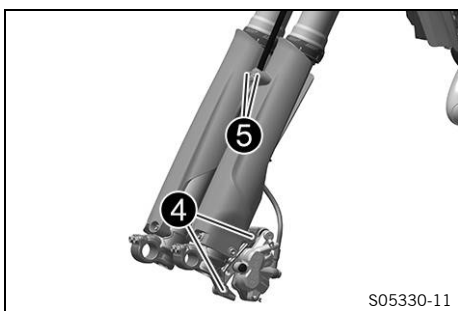


(FACTORY EDITION)

- Fit rubber strap ⑥ with the Connectivity Unit to the right fork leg.

Guideline

Distance to the upper triple clamp	19 mm (0.75 in)
------------------------------------	-----------------



- Position the brake caliper. Mount and tighten screws ④.

Guideline

Screw, front brake caliper	M8	25 Nm (18.4 lbf ft) Loctite®243™
----------------------------	----	--

- Position the brake line and the clamp. Mount and tighten screws ⑤.

Finishing work

- Install the front wheel. 🛠️ (📖 p. 111)

11.13 Removing the lower triple clamp 🛠️

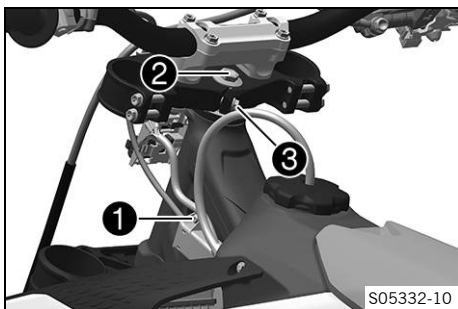
Preparatory work

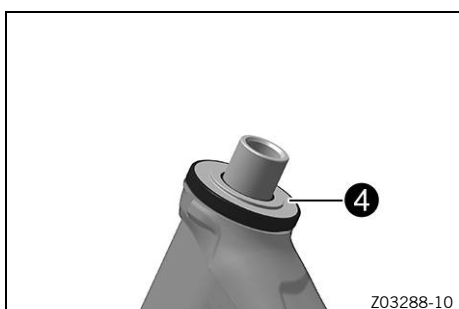
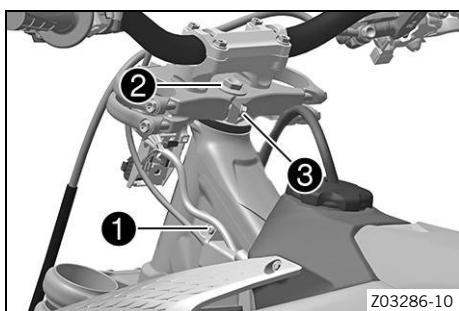
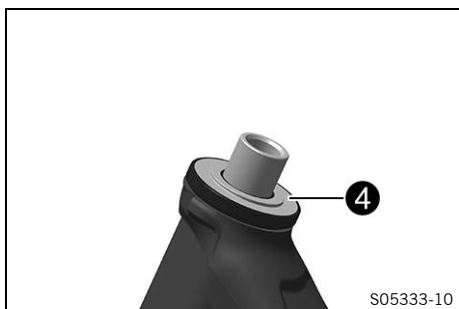
- Raise the motorcycle with a lift stand. (📖 p. 56)
- Remove the front wheel. 🛠️ (📖 p. 109)
- Remove the fork legs. 🛠️ (📖 p. 61)
- Remove the start number plate. (📖 p. 71)
- Remove the front fender. (📖 p. 71)
- Take off the handlebar cushion.

Main work

(All standard models)

- Remove screw ①. Detach the wiring harness.
- Remove screw ②.
- Remove screw ③.
- Take off the upper triple clamp with the handlebar and place to one side.





i Info
 Cover the components to protect them against damage.
 Do not kink the cables or lines.

- Remove steering head seal **4**.
- Remove the lower triple clamp with steering stem.
- Remove the upper steering head bearing.

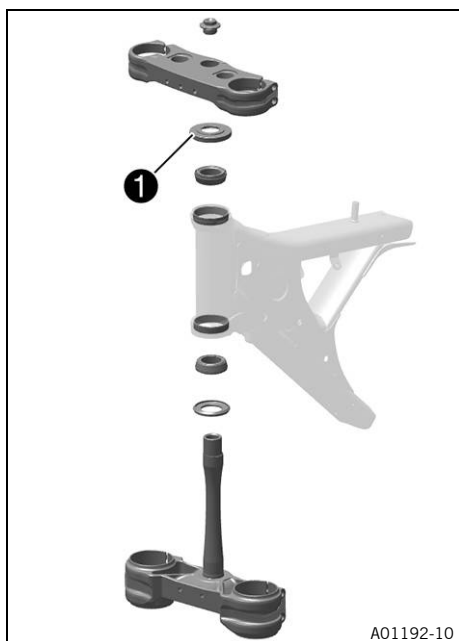
(FACTORY EDITION)

- Remove screw **1**. Detach the wiring harness.
- Remove screw **2**.
- Remove screw **3**.
- Take off the upper triple clamp with the handlebar and place to one side.

i Info
 Cover the components to protect them against damage.
 Do not kink the cables or lines.

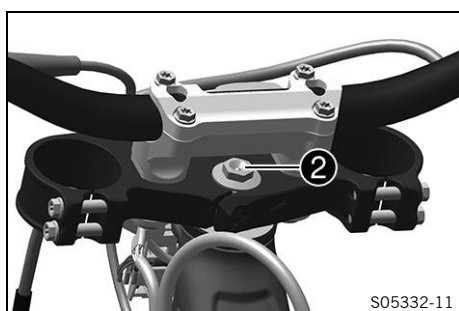
- Remove steering head seal **4**.
- Remove the lower triple clamp with steering stem.
- Remove the upper steering head bearing.

11.14 Installing the lower triple clamp



Main work (All standard models)

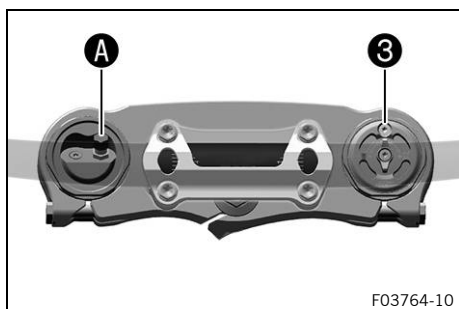
- Clean the bearing and sealing elements, check for damage, and grease.
- High viscosity grease (📖 p. 167)
- Insert the lower triple clamp with the steering stem. Mount upper steering head bearing.
 - Push on steering head seal ❶.



- Position the upper triple clamp and handlebar.
- Mount screw ❷, but do not tighten it yet.

Guideline

Screw, top steering head	M20x1.5	12 Nm (8.9 lbf ft)
--------------------------	---------	--------------------



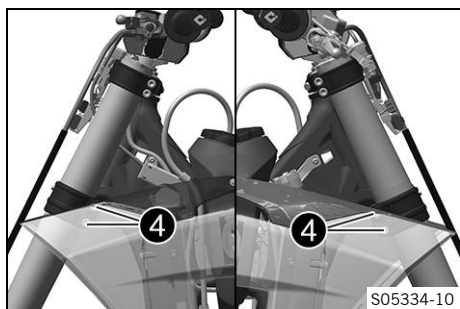
- Position the fork legs.
 - ✓ Air bleeder screw ❸ of the right fork leg is positioned to the front.
 - ✓ Valve A of the left fork leg faces the front.

i Info

Grooves are milled into the side of the upper end of the fork legs. The second milled groove (from the top) must be flush with the upper edge of the upper triple clamp.

The air suspension is located in the left fork leg. The pressure and rebound damping is located in the right fork leg.

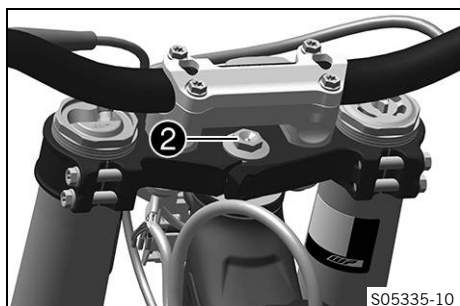
11 SERVICE WORK ON THE CHASSIS



- Tighten screws ④.

Guideline

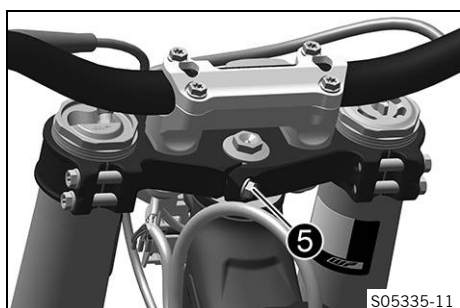
Screw, bottom triple clamp	M8	12 Nm (8.9 lbf ft)
----------------------------	----	--------------------



- Tighten screw ②.

Guideline

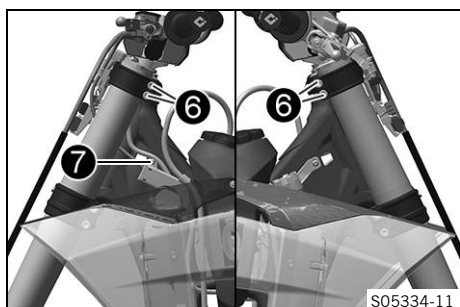
Screw, top steering head	M20x1.5	12 Nm (8.9 lbf ft)
--------------------------	---------	--------------------



- Mount and tighten screw ⑤.

Guideline

Screw, top steering stem	M8	20 Nm (14.8 lbf ft) Loctite®243™
--------------------------	----	--



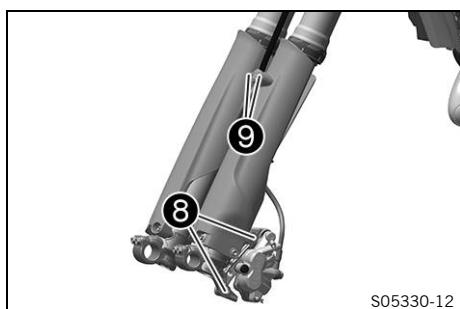
- Using a plastic hammer, tap lightly on the upper triple clamp to avoid stresses.

- Tighten screws ⑥.

Guideline

Screw, top triple clamp	M8	17 Nm (12.5 lbf ft)
-------------------------	----	---------------------

- Secure the wiring harness with cable holder on the left. Mount and tighten screw ⑦.

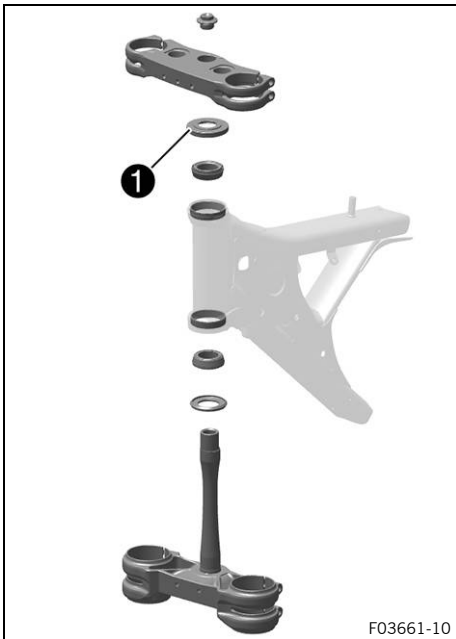


- Position the brake caliper. Mount and tighten screws ⑧.

Guideline

Screw, front brake caliper	M8	25 Nm (18.4 lbf ft) Loctite®243™
----------------------------	----	--

- Position the brake line and the clamp. Mount and tighten screws ⑨.



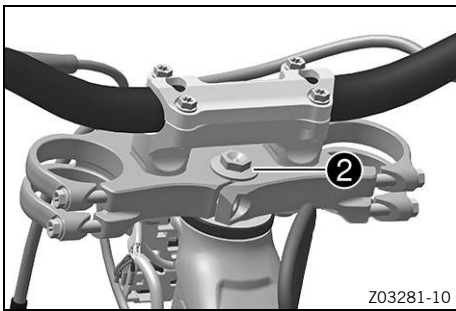
F03661-10

(FACTORY EDITION)

- Clean the bearing and sealing elements, check for damage, and grease.

High viscosity grease (📖 p. 167)

- Insert the lower triple clamp with the steering stem. Mount upper steering head bearing.
- Push on steering head seal ❶.

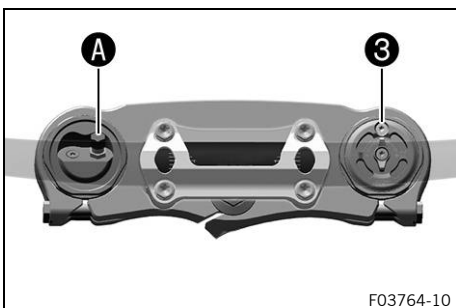


Z03281-10

- Position the upper triple clamp and handlebar.
- Mount screw ❷, but do not tighten it yet.

Guideline

Screw, top steering head	M20x1.5	12 Nm (8.9 lbf ft)
--------------------------	---------	--------------------



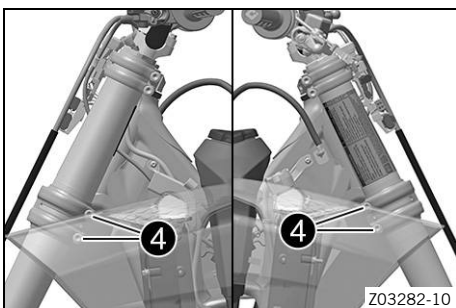
F03764-10

- Position the fork legs.
- ✓ Air bleeder screw ❸ of the right fork leg is positioned to the front.
- ✓ Valve A of the left fork leg faces the front.

i Info

Grooves are milled into the side of the upper end of the fork legs. The second milled groove (from the top) must be flush with the upper edge of the upper triple clamp.

The air suspension is located in the left fork leg. The pressure and rebound damping is located in the right fork leg.

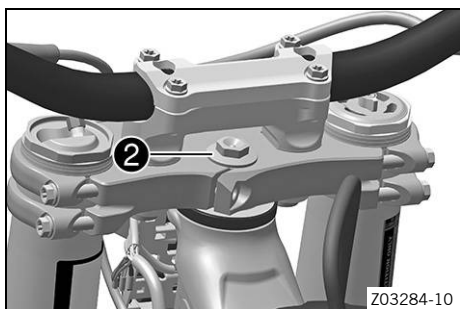


Z03282-10

- Tighten screws ❹.

Guideline

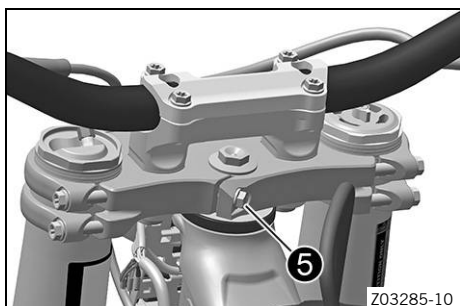
Screw, bottom triple clamp	M8	12 Nm (8.9 lbf ft)
----------------------------	----	--------------------



- Tighten screw **2**.

Guideline

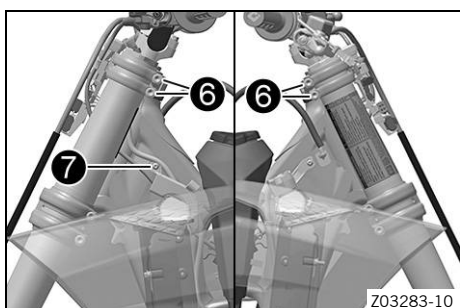
Screw, top steering head	M20x1.5	12 Nm (8.9 lbf ft)
--------------------------	---------	--------------------



- Mount and tighten screw **5**.

Guideline

Screw, top steering stem	M8	20 Nm (14.8 lbf ft) Loctite®243™
--------------------------	----	--



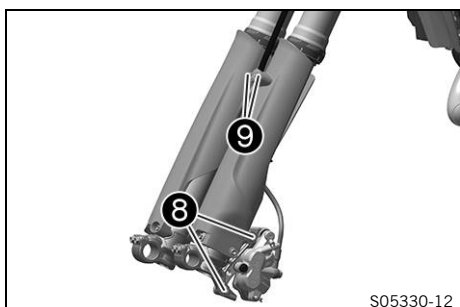
- Using a plastic hammer, tap lightly on the upper triple clamp to avoid stresses.

- Tighten screws **6**.

Guideline

Screw, top triple clamp	M8	17 Nm (12.5 lbf ft)
-------------------------	----	---------------------

- Secure the wiring harness with cable holder on the left. Mount and tighten screw **7**.

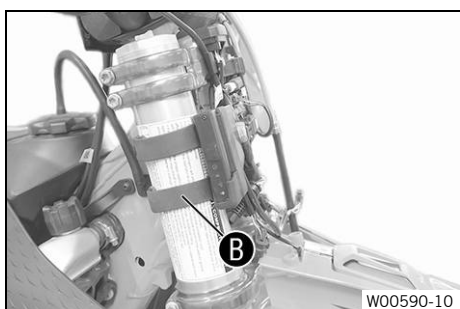


- Position the brake caliper. Mount and tighten screws **8**.

Guideline

Screw, front brake caliper	M8	25 Nm (18.4 lbf ft) Loctite®243™
----------------------------	----	--

- Position the brake line and the clamp. Mount and tighten screws **9**.



(FACTORY EDITION)

- Fit rubber strap **B** with the Connectivity Unit to the right fork leg.

Guideline

Distance to the upper triple clamp	19 mm (0.75 in)
------------------------------------	-----------------

Finishing work

- Install the front fender. (📖 p. 72)
- Mount the handlebar cushion.

- Install the start number plate. (📖 p. 71)
- Install the front wheel. 🛠️ (📖 p. 111)
- Check the wiring harness, cables, and brake and clutch lines for freedom of movement and correct routing.
- Check the steering head bearing for play. (📖 p. 69)
- Remove the motorcycle from the lift stand. (📖 p. 56)



11.15 Checking the steering head bearing play



Warning

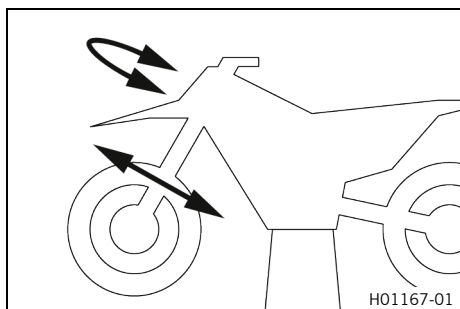
Danger of accidents Incorrect steering head bearing play impairs the handling characteristic and damages components.

- Correct incorrect steering head bearing play immediately. (Your authorized KTM workshop will be glad to help.)



Info

If the vehicle is operated for a lengthy period with play in the steering head bearing, the bearings and the bearing seats in the frame can become damaged over time.



Preparatory work

- Raise the motorcycle with a lift stand. (📖 p. 56)

Main work

- Move the handlebar to the straight-ahead position. Move the fork legs to and fro in the direction of travel.

Play should not be detectable on the steering head bearing.

» If there is detectable play:

- Adjust the steering head bearing play. 🛠️ (📖 p. 69)

- Move the handlebar to and fro over the entire steering range.

It must be possible to move the handlebar easily over the entire steering range. There should be no detectable detent positions.

» If detent positions are detected:

- Adjust the steering head bearing play. 🛠️ (📖 p. 69)
- Check the steering head bearing and adjust if necessary.

Finishing work

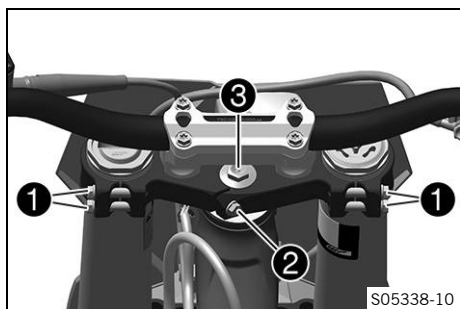
- Remove the motorcycle from the lift stand. (📖 p. 56)



11.16 Adjusting the steering head bearing play 🛠️

Preparatory work

- Raise the motorcycle with a lift stand. (📖 p. 56)
- Take off the handlebar cushion.



Main work

(All standard models)

- Loosen screws ❶.
- Remove screw ❷.
- Loosen and retighten screw ❸.

Guideline

Screw, top steering head	M20x1.5	12 Nm (8.9 lbf ft)
--------------------------	---------	--------------------

- Using a plastic hammer, tap lightly on the upper triple clamp to avoid stresses.

- Mount and tighten screw ❷.

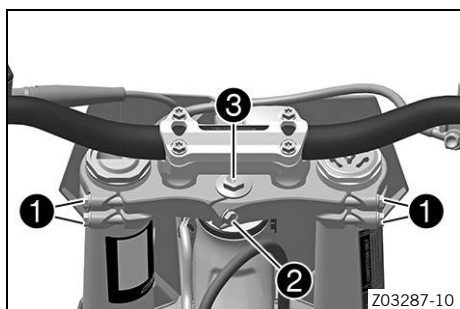
Guideline

Screw, top steering stem	M8	20 Nm (14.8 lbf ft) Loctite®243™
--------------------------	----	--

- Tighten screws ❶.

Guideline

Screw, top triple clamp	M8	17 Nm (12.5 lbf ft)
-------------------------	----	---------------------



(FACTORY EDITION)

- Loosen screws ❶.
- Remove screw ❷.
- Loosen and retighten screw ❸.

Guideline

Screw, top steering head	M20x1.5	12 Nm (8.9 lbf ft)
--------------------------	---------	--------------------

- Using a plastic hammer, tap lightly on the upper triple clamp to avoid stresses.

- Mount and tighten screw ❷.

Guideline

Screw, top steering stem	M8	20 Nm (14.8 lbf ft) Loctite®243™
--------------------------	----	--

- Tighten screws ❶.

Guideline

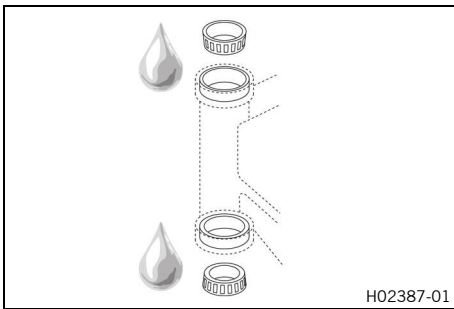
Screw, top triple clamp	M8	17 Nm (12.5 lbf ft)
-------------------------	----	---------------------

- Check the steering head bearing for play. (🔧 p. 69)

Finishing work

- Mount the handlebar cushion.
- Remove the motorcycle from the lift stand. (🔧 p. 56)

11.17 Lubricating the steering head bearing



- Remove the lower triple clamp. (🔧 p. 63)
- Install the lower triple clamp. (🔧 p. 65)

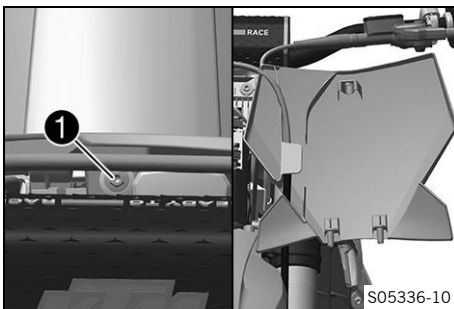


Info

The steering head bearing is cleaned and lubricated in the course of removal and installation of the lower triple clamp.



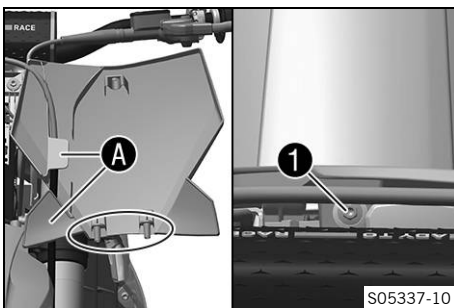
11.18 Removing the start number plate



- Remove screw ①.
- Unhook the start number plate from the brake line and remove it.



11.19 Installing the start number plate



- Position the brake line in holders A on the start number plate.
- Position the start number plate. Mount and tighten screw ①.
- ✓ The holding lugs engage in the fender.



11.20 Removing the front fender

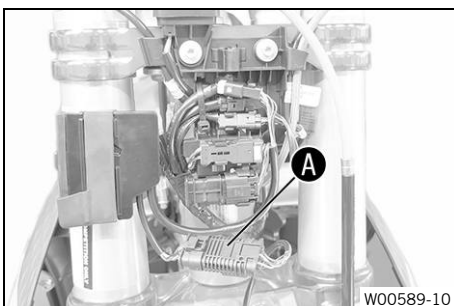
Preparatory work

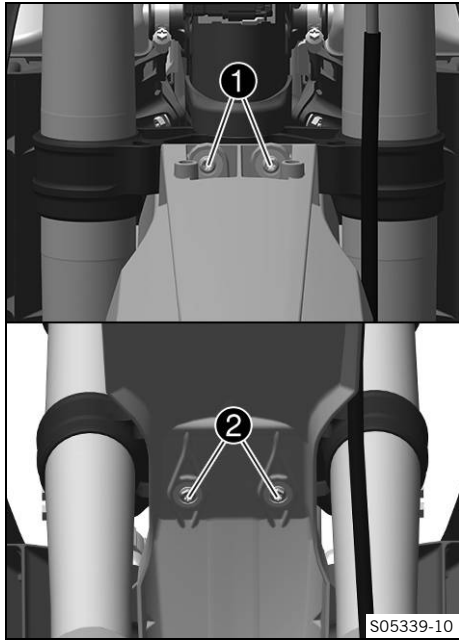
- Remove the start number plate. (🔧 p. 71)

Main work

(FACTORY EDITION)

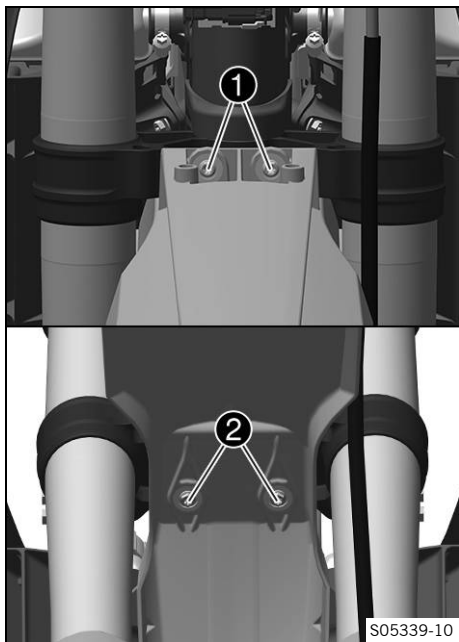
- Disconnect plug-in connector A (antenna of the Connectivity Unit).





- Remove screws ❶ and ❷. Take off the front fender.

11.21 Installing the front fender

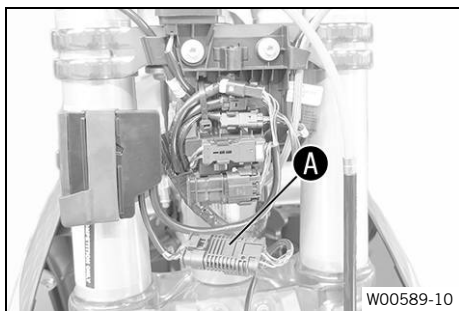


Main work

- Position the front fender. Mount and tighten screws ❶ and ❷.

Guideline

Screw, fender	M6	12 Nm (8.9 lbf ft)
---------------	----	--------------------



(FACTORY EDITION)

- Join plug-in connector A (antenna of the Connectivity Unit).

Finishing work

- Install the start number plate. (📖 p. 71)



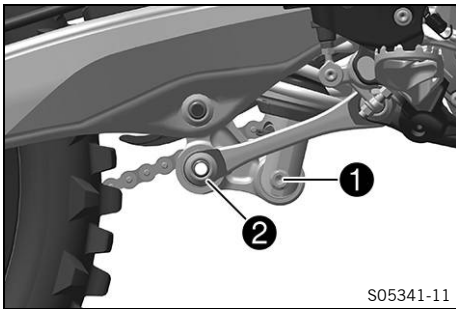
11.22 Removing the shock absorber

Preparatory work

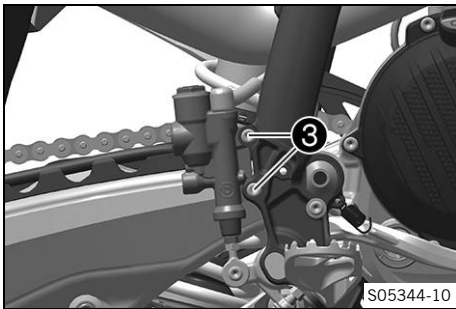
- Remove main silencer. (📖 p. 81)
- Remove the frame protector. (📖 p. 61)
- Raise the motorcycle with a lift stand. (📖 p. 56)

Main work

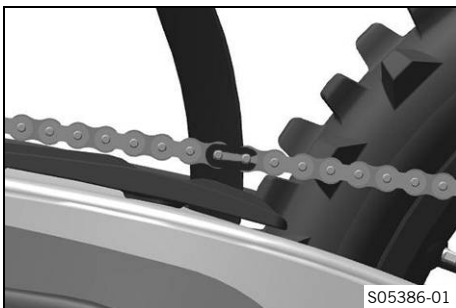
- Remove screw ①.
- Remove fitting ②.



i Info
Raise the swingarm slightly to be able to remove the screws more easily.

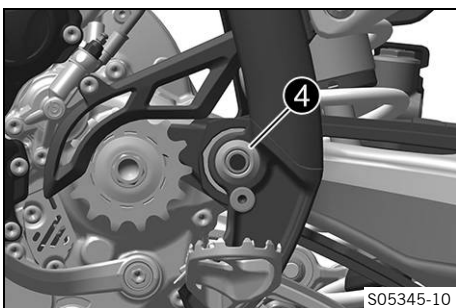


- Remove screws ③.
- Pull off foot brake cylinder from the push rod.

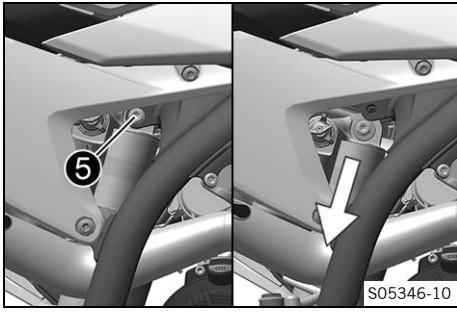


- Remove the connecting link of the chain.
- Take off the chain.

i Info
Cover the components to protect them against damage.

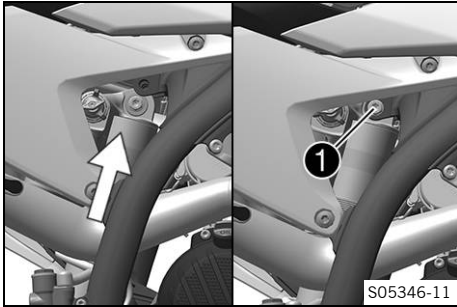


- Remove nut ④ and the swingarm pivot.
- Push the link fork back and secure it against falling over.



- Hold the shock absorber and remove screw ⑤.
- Remove the shock absorber carefully at the bottom.

11.23 Installing the shock absorber

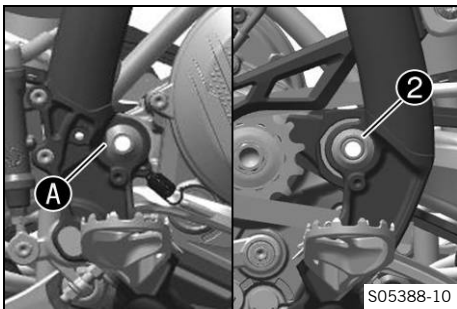


Main work

- Carefully position the shock absorber into the vehicle from the bottom.
- Mount and tighten screw ①.

Guideline

Screw, top shock absorber	M10	60 Nm (44.3 lbf ft) Loctite®2701™
---------------------------	-----	---



- Position the link fork and mount the swingarm pivot.



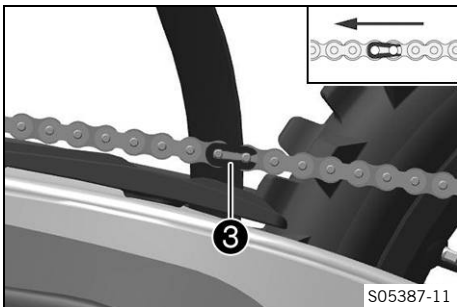
Info

Pay attention to flat area A.

- Mount and tighten nut ②.

Guideline

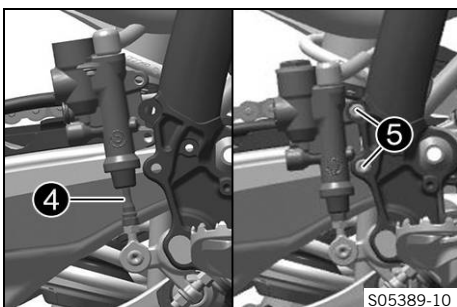
Nut, fork pivot	M16x1.5	100 Nm (73.8 lbf ft)
-----------------	---------	-------------------------



- Mount the chain.
- Connect the chain with connecting link ③.

Guideline

The closed side of the chain joint lock must face in the direction of travel.



- Position the foot brake cylinder.
- ✓ Push rod ④ engages in the foot brake cylinder.



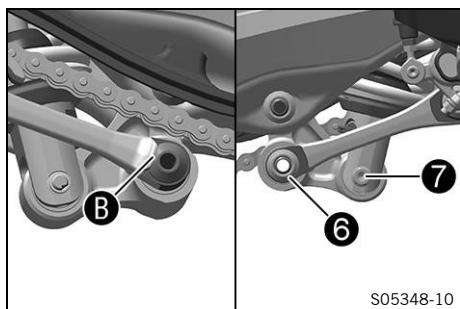
Info

Ensure that the dust boot is correctly seated.

- Mount and tighten screws ⑤.

Guideline

Remaining screws, chassis	M6	10 Nm (7.4 lbf ft)
---------------------------	----	--------------------



- Position the angle lever and linkage lever.
- Mount and tighten fitting **6**.

Guideline

Nut, linkage lever on angle lever	M16x1.5	60 Nm (44.3 lbf ft)
-----------------------------------	---------	---------------------

i Info
Pay attention to flat area **B**.

- Mount and tighten screw **7**.

Guideline

Screw, bottom shock absorber	M10	60 Nm (44.3 lbf ft) Loctite®2701™
------------------------------	-----	---

i Info
Raise the link fork slightly to be able to mount the screw more easily.

Finishing work

- Check the free travel of the foot brake lever. (📖 p. 103)
- Remove the motorcycle from the lift stand. (📖 p. 56)
- Install the frame protector. (📖 p. 61)
- Install the main silencer. (📖 p. 81)



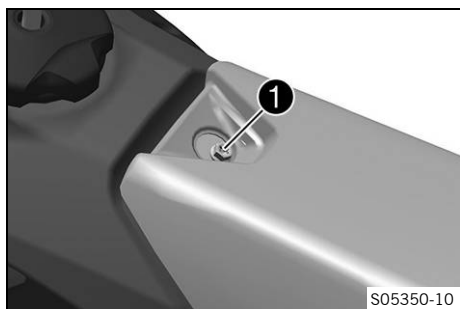
11.24 Removing the seat



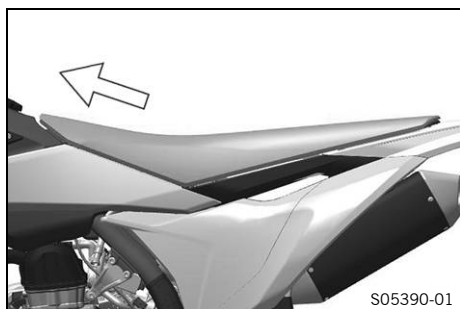
Caution

Danger of burns The voltage regulator gets very hot when the vehicle is operated.

- Allow the voltage regulator to cool down before performing any work.



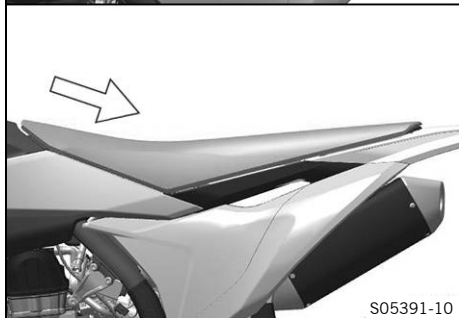
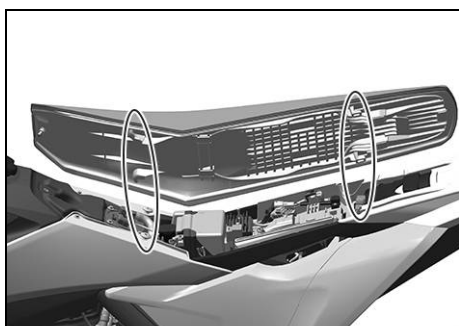
- Remove screw **1**.



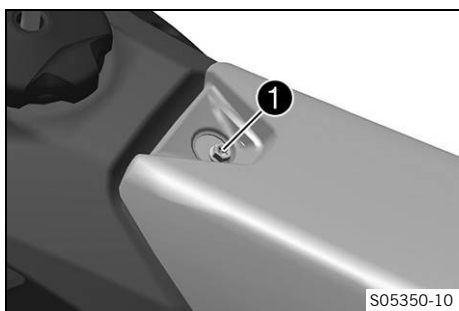
- Raise seat, pull it toward the fuel tank and lift it off.



11.25 Mounting the seat



S05391-10



S05350-10

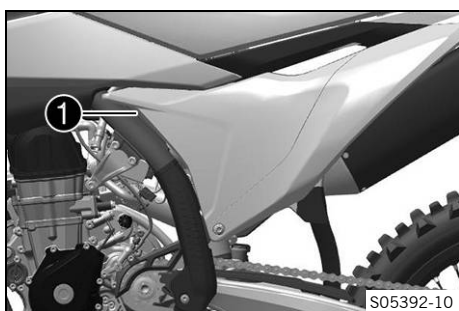
- Attach the seat to the collar bushings at the front and simultaneously push it back.
- ✓ The holding lugs engage in the recesses at the back.
- Make sure the seat is latched in place correctly.

- Mount and tighten screw ①.

Guideline

Screw, seat fixing	M6	8 Nm (5.9 lbf ft)
--------------------	----	-------------------

11.26 Removing the air filter box cover

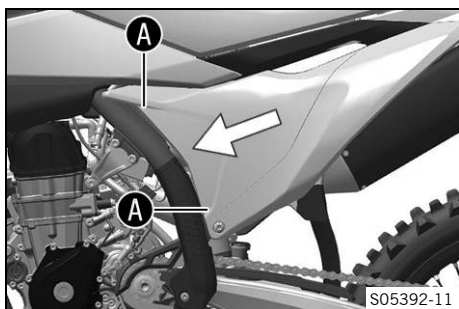


S05392-10

Condition

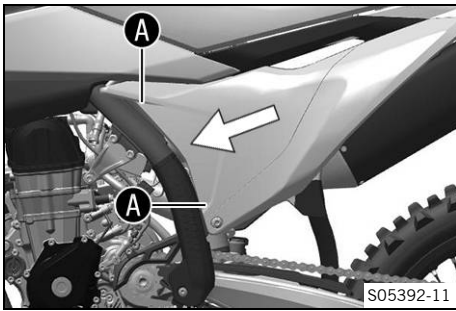
The air filter box cover is secured.

- Remove screw ①.



S05392-11

- Pull off the air filter box cover in area A and push it sideways and forward. Take off the air filter box cover.



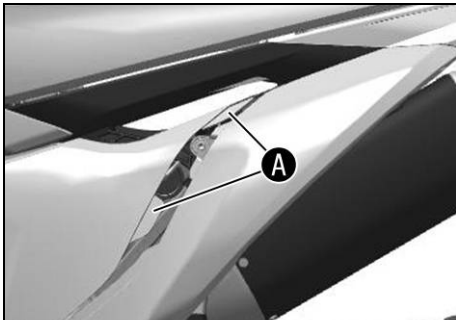
Condition

The air filter box cover is not secured.

- Pull off the air filter box cover in area **A** and push it side-ways and forward. Take off the air filter box cover.



11.27 Installing the air filter box cover



Condition

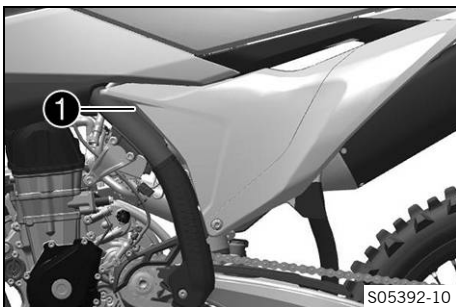
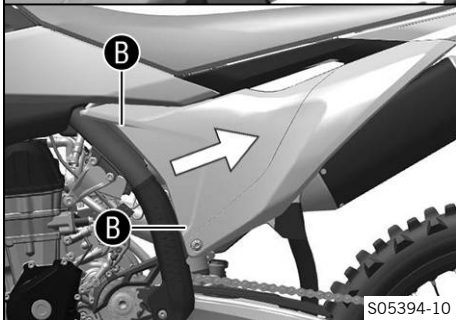
The air filter box cover is secured.

- Insert the air filter box cover in area **A** and clip it into area **B**.



Info

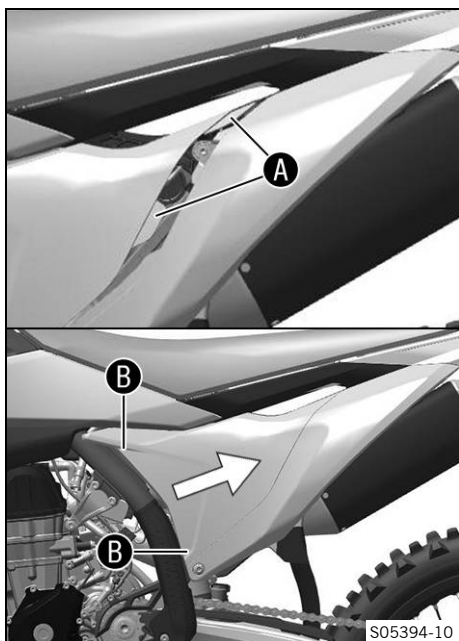
An air filter box cover with openings for greater air-flow and a more direct response is included.



- Mount and tighten screw **1**.

Guideline

Screw, air filter box cover	EJOT PT® K60x20-Z	3 Nm (2.2 lbf ft)
-----------------------------	-----------------------------	-------------------



Condition

The air filter box cover is not secured.

- Insert the air filter box cover in area **A** and clip it into area **B**.



Info

An air filter box cover with openings for greater air-flow and a more direct response is included.

11.28 Removing the air filter ↗

Note

Engine damage Unfiltered intake air has a negative effect on the service life of the engine.

Dust and dirt will enter the engine without an air filter.

- Only operate the vehicle if it is equipped with an air filter.



Note

Environmental hazard Hazardous substances cause environmental damage.

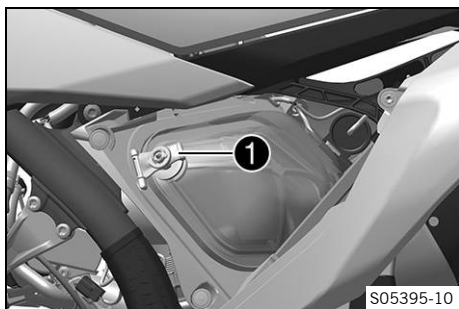
- Dispose of oils, grease, filters, fuel, cleaning agents, brake fluid, etc., correctly and in compliance with the applicable regulations.

Preparatory work

- Remove the air filter box cover. (📖 p. 76)

Main work

- Detach retaining tab **1**.
- Remove air filter with air filter support.
- Remove air filter from air filter support.



11.29 Cleaning the air filter and air filter box ↘



Note

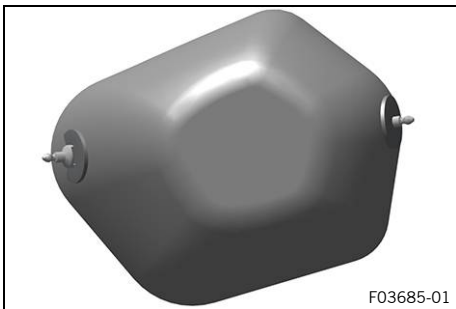
Environmental hazard Hazardous substances cause environmental damage.

- Dispose of oils, grease, filters, fuel, cleaning agents, brake fluid, etc., correctly and in compliance with the applicable regulations.



Info

Do not clean the air filter with fuel or petroleum since these substances attack the foam.



Preparatory work

- Remove the air filter box cover. (📖 p. 76)
- Remove the air filter. ↘ (📖 p. 78)

Main work

- Wash the air filter thoroughly in special cleaning liquid and allow it to dry properly.

Air filter cleaner (📖 p. 167)



Info

Only press the air filter to dry it, never wring it out.

- Oil the dry air filter with a high-grade air filter oil.

Oil for foam air filter (📖 p. 167)

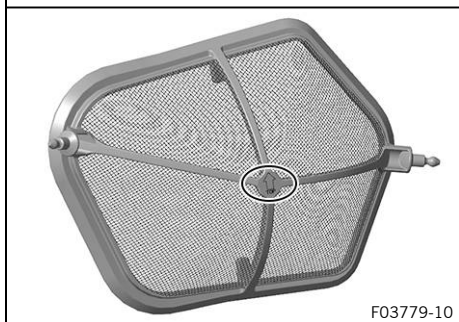
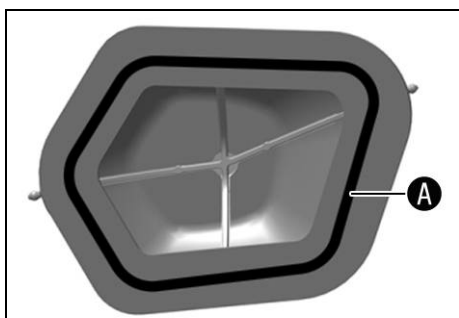
- Clean the air filter box.
- Clean the intake flange and check it for damage and tightness.

Finishing work

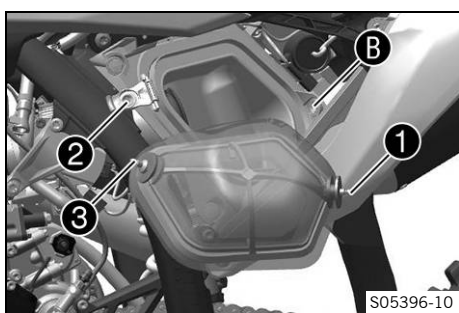
- Install the air filter. ↘ (📖 p. 80)
- Install the air filter box cover. (📖 p. 77)



11.30 Installing the air filter ↩



F03779-10



S05396-10

Main work

- Mount the clean air filter on the air filter support.



Info

The marking on the air filter support must face upwards.

- Grease the air filter in area **A**.

Long-life grease (📖 p. 167)

- Insert air filter and position retaining pin **1** in bushing **B**.
 ✓ The air filter is correctly positioned.



Info

The marking on the air filter must face upwards.

- Insert retaining tab **2**.

✓ Retaining pin **3** is secured by retaining tab **2**.



Info

If the air filter is not mounted correctly, dust and dirt may enter the engine and result in damage.

Finishing work

- Install the air filter box cover. (📖 p. 77)

11.31 Preparing air filter box cover for securing ↩

Preparatory work

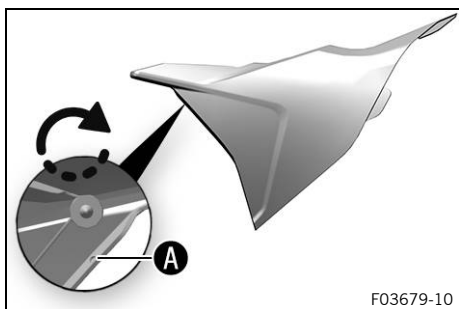
- Remove the air filter box cover. (📖 p. 76)

Main work

- Drill a hole at marking **A**.

Guideline

Diameter	6 mm (0.24 in)
----------	----------------



F03679-10

Finishing work

- Install the air filter box cover. (🔧 p. 77)

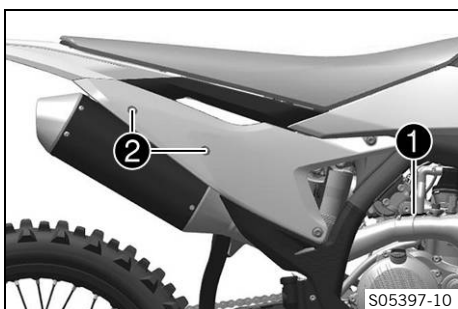
11.32 Removing the main silencer



Warning

Danger of burns The exhaust system gets hot when the vehicle is driven.

- Allow the exhaust system to cool down before performing any work on the vehicle.

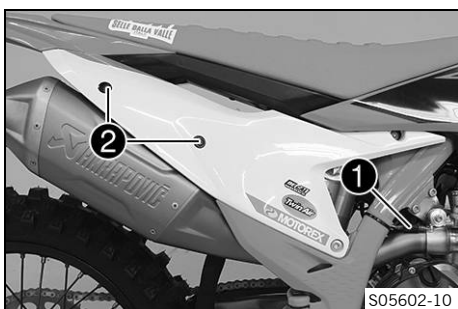


(All standard models)

- Detach spring ①.

Spring hook (50305017000C1)

- Remove screws ② with the washers and take off the main silencer.



(FACTORY EDITION)

- Detach spring ①.

Spring hook (50305017000C1)

- Remove screws ② with the washers and take off the main silencer.

11.33 Installing the main silencer



(All standard models)

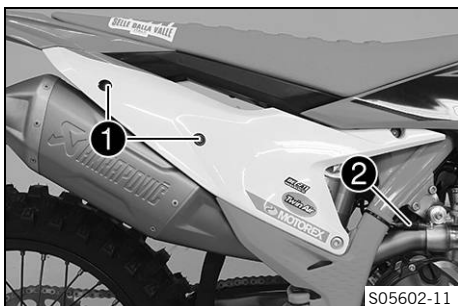
- Position the main silencer.
- Mount screws ① with washers, but do not tighten yet.
- Attach spring ②.

Spring hook (50305017000C1)

- Tighten screws ①.

Guideline

Remaining screws, chassis	M6	10 Nm (7.4 lbf ft)
---------------------------	----	--------------------



(FACTORY EDITION)

- Position the main silencer.
- Mount screws ① with washers, but do not tighten yet.
- Attach spring ②.

Spring hook (50305017000C1)

- Tighten screws ①.

Guideline

Remaining screws, chassis	M6	10 Nm (7.4 lbf ft)
---------------------------	----	--------------------

11.34 Changing the glass fiber yarn filling of the main silencer ↗



Warning

Danger of burns The exhaust system gets hot when the vehicle is driven.

- Allow the exhaust system to cool down before performing any work on the vehicle.



Info

Over time, the fibers of the glass fiber yarn filling escape and the damper "burns" out. Not only is the noise level higher, but the performance characteristics change.

Preparatory work

- Remove main silencer. (📖 p. 81)

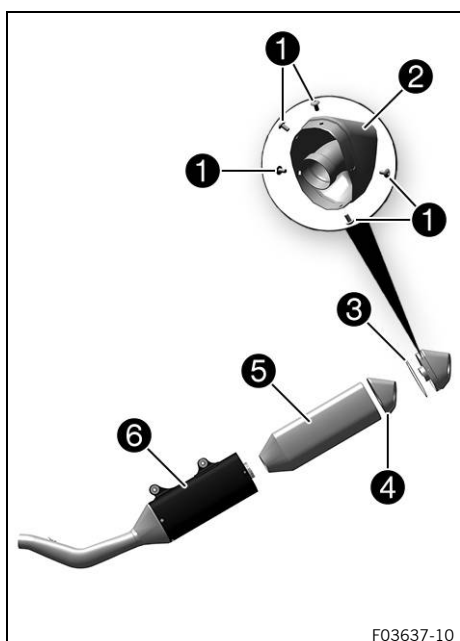
Main work

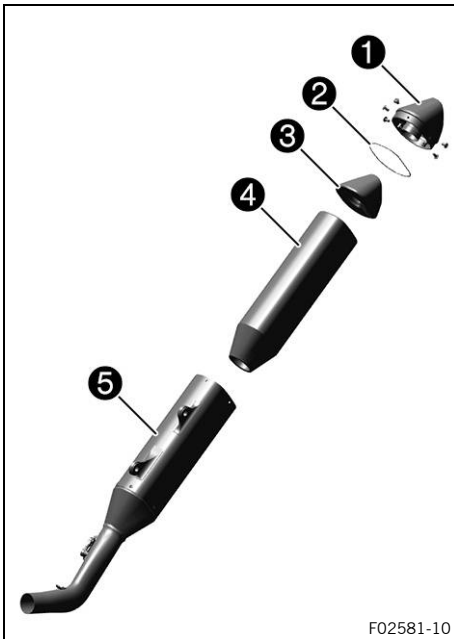
(All standard models)

- Remove the screws **1** on the main silencer.
- Take off silencer cap **2** and O-ring **3**.
- Pull glass fiber yarn filling **4** out of the silencer cap.
- Pull glass fiber yarn filling **5** from the inner tube.
- Clean the parts that need to be reinstalled and check for damage.
- Mount new glass fiber yarn filling **5** on the inner tube.
- Position new glass fiber yarn filling **4** in the silencer cap.
- Insert O-ring and silencer cap into outer tube **6**.
- Mount and tighten screws **1**.

Guideline

Screws on main silencer	M5	7 Nm (5.2 lbf ft)
-------------------------	----	-------------------



**(FACTORY EDITION)**

- Drill out all rivets on the main silencer and remove silencer cap ① with O-ring ②.
- Remove glass fiber yarn ③ from the silencer cap.
- Pull glass fiber yarn filling ④ out of outer tube ⑤.
- Clean the parts that need to be reinstalled and check for damage.
- Mount new glass fiber yarn filling ④ on the inner tube.
- Position new glass fiber yarn filling ③ in silencer cap ①.
- Insert silencer cap with O-ring ② into the outer tube.
- Rivet according to manufacturer specifications.

Finishing work

- Install the main silencer. (🔧 p. 81)

**11.35 Removing the fuel tank****Danger**

Fire hazard Fuel is highly flammable.

The fuel in the fuel tank expands when warm and can escape if overfilled.

- Do not fuel the vehicle in the vicinity of open flames or lit cigarettes.
- Switch off the engine for refueling.
- Make sure that no fuel is spilled; particularly not on hot parts of the vehicle.
- If any fuel is spilled, wipe it off immediately.
- Observe the specifications for refueling.

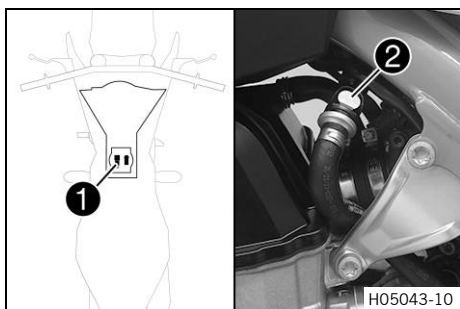
**Warning**

Danger of poisoning Fuel is harmful to health.

- Avoid skin, eye and clothing contact with fuel.
- Immediately consult a doctor if you swallow fuel.
- Do not inhale fuel vapors.
- Rinse the affected area immediately with plenty of water in the event of contact with the skin.
- Rinse the eyes thoroughly with water, and consult a doctor in case of fuel contact with the eyes.
- Change your clothing if fuel spills on them.
- Keep fuels correctly in a suitable canister, and out of the reach of children.

Preparatory work

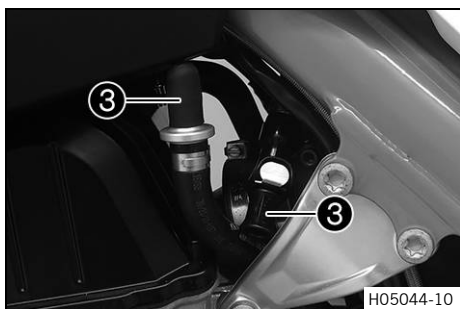
- Remove the seat. (🔧 p. 75)



Main work

- Unplug fuel pump connector **1**.
- Clean quick release coupling **2** thoroughly with compressed air.

i Info
Under no circumstances should dirt enter into the fuel line. Dirt in the fuel line clogs the injection valve!



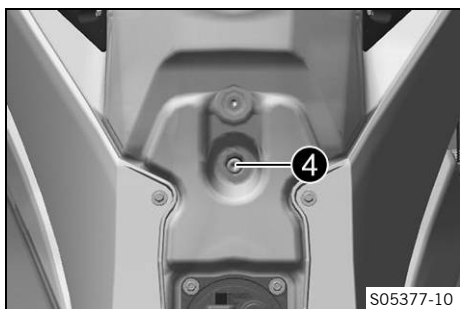
- Disconnect the quick release coupling.

i Info
Remaining fuel may flow out of the fuel hose.

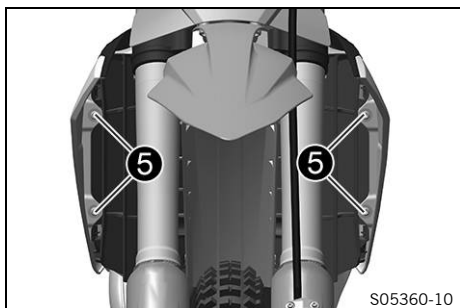
- Mount wash cap set **3**.

Wash cap set (81212016100)

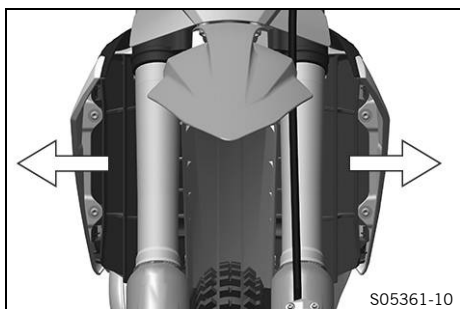
- Pull the fuel tank breather hose off the fuel tank lid.



- Remove screw **4** with the rubber bushing.



- Remove screws **5** with the collar bushings.



- Pull both spoilers laterally off the radiator and lift off the fuel tank.

11.36 Installing the fuel tank ↩



Danger

Fire hazard Fuel is highly flammable.

The fuel in the fuel tank expands when warm and can escape if overfilled.

- Do not fuel the vehicle in the vicinity of open flames or lit cigarettes.
- Switch off the engine for refueling.
- Make sure that no fuel is spilled; particularly not on hot parts of the vehicle.
- If any fuel is spilled, wipe it off immediately.
- Observe the specifications for refueling.



Warning

Danger of poisoning Fuel is harmful to health.

- Avoid skin, eye and clothing contact with fuel.
- Immediately consult a doctor if you swallow fuel.
- Do not inhale fuel vapors.
- Rinse the affected area immediately with plenty of water in the event of contact with the skin.
- Rinse the eyes thoroughly with water, and consult a doctor in case of fuel contact with the eyes.
- Change your clothing if fuel spills on them.

Main work

- Check the throttle cable routing. (📖 p. 91)
- Position the fuel tank and fit the two spoilers laterally to the radiator.
- Make sure that no cables or throttle cables are trapped or damaged.
- Attach the fuel tank breather hose to the fuel tank lid.
- Mount and tighten screws ❶ with the collar bushings.

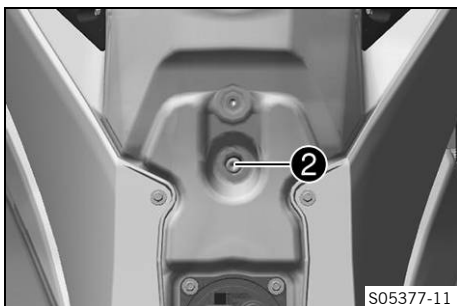
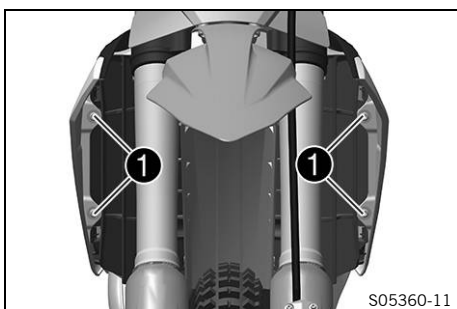
Guideline

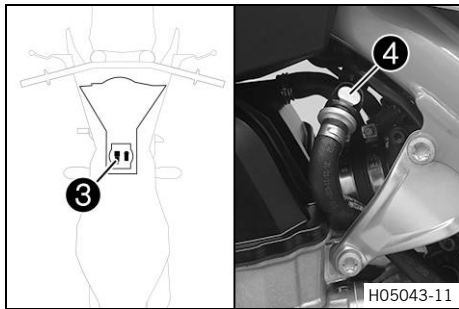
Screw, fuel tank spoiler on radiator	M6	6 Nm (4.4 lbf ft)
--------------------------------------	----	-------------------

- Mount and tighten screw ❷ with the rubber bushing.

Guideline

Remaining screws, chassis	M6	10 Nm (7.4 lbf ft)
---------------------------	----	--------------------





- Plug in fuel pump connector ③.
- Remove the wash cap set. Clean the quick release coupling thoroughly with compressed air.



Info

Under no circumstances should dirt enter into the fuel line. Dirt in the fuel line clogs the injection valve!

- Spray silicone spray onto a lint-free cleaning cloth and lightly lubricate the O-ring of the quick-release coupling.

Silicone spray (📖 p. 168)

- Join quick release coupling ④.



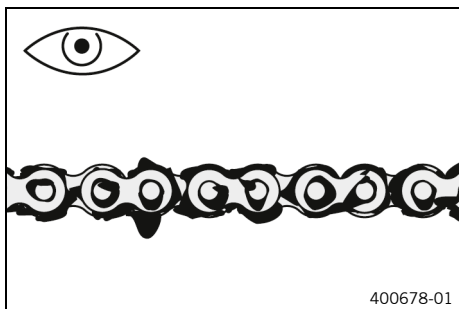
Info

Route the cable and fuel line at a safe distance from the exhaust system.

Finishing work

- Mount the seat. (📖 p. 76)

11.37 Checking for chain dirt accumulation



- Check the chain for coarse dirt accumulation.
 - » If the chain is very dirty:
 - Clean the chain. (📖 p. 86)

11.38 Cleaning the chain



Warning

Danger of accidents Lubricants on the tires reduces the road grip.

- Remove lubricants from the tires using a suitable cleaning agent.



Warning

Danger of accidents Oil or grease on the brake discs reduces the braking effect.

- Always keep the brake discs free of oil and grease.
- Clean the brake discs with brake cleaner when necessary.



Note

Environmental hazard Hazardous substances cause environmental damage.

- Dispose of oils, grease, filters, fuel, cleaning agents, brake fluid, etc., correctly and in compliance with the applicable regulations.



Info

The service life of the chain depends largely on its maintenance.

Preparatory work

- Raise the motorcycle with a lift stand. (📖 p. 56)

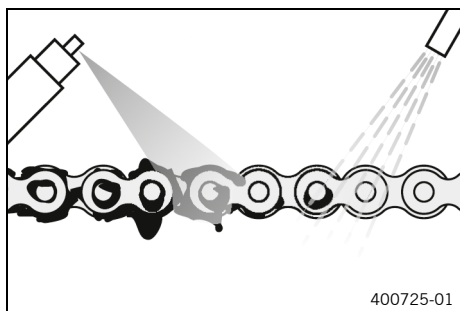
Main work

- Rinse off loose dirt with a soft jet of water.
- Remove old grease residue with chain cleaner.

Chain cleaner (📖 p. 167)

- After drying, apply chain spray.

Off-road chain spray (📖 p. 167)



Finishing work

- Remove the motorcycle from the lift stand. (📖 p. 56)



11.39 Checking the chain tension



Warning

Danger of accidents Incorrect chain tension damages components and results in accidents.

If the chain is tensioned too much, the chain, engine sprocket, rear sprocket, transmission and rear wheel bearings wear more quickly. Some components may break if overloaded.

If the chain is too loose, the chain may fall off the engine sprocket or the rear sprocket. As a result, the rear wheel locks or the engine will be damaged.

- Check the chain tension regularly.
- Set the chain tension in accordance with the specification.

Preparatory work

- Raise the motorcycle with a lift stand. (📖 p. 56)

Main work

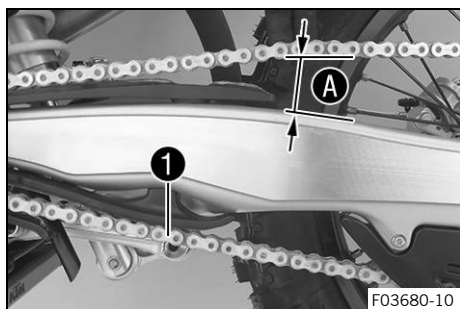
- Pull the chain at the end of the chain sliding piece upward to measure chain tension **A**.



Info

Lower chain section **1** must be taut.

Chain wear is not always even, so you should repeat this measurement at different chain positions.



Chain tension	58 ... 61 mm (2.28 ... 2.4 in)
---------------	--------------------------------

- » If the chain tension does not meet the specification:
 - Adjust the chain tension. (📖 p. 88)

Finishing work

- Remove the motorcycle from the lift stand. (📖 p. 56)



11.40 Adjusting the chain tension



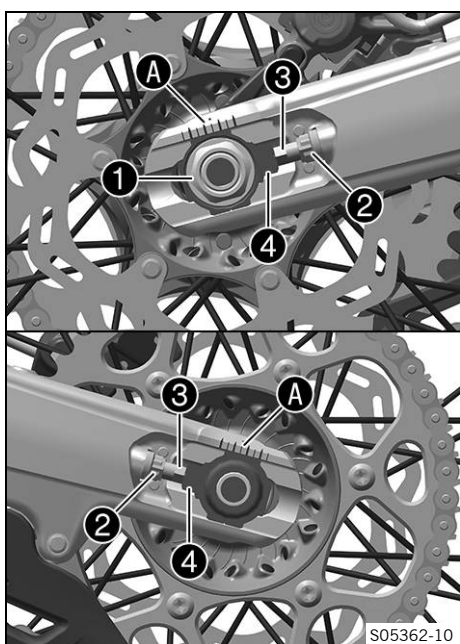
Warning

Danger of accidents Incorrect chain tension damages components and results in accidents.

If the chain is tensioned too much, the chain, engine sprocket, rear sprocket, transmission and rear wheel bearings wear more quickly. Some components may break if overloaded.

If the chain is too loose, the chain may fall off the engine sprocket or the rear sprocket. As a result, the rear wheel locks or the engine will be damaged.

- Check the chain tension regularly.
- Set the chain tension in accordance with the specification.



Preparatory work

- Raise the motorcycle with a lift stand. (🛠 p. 56)
- Check the chain tension. (📖 p. 87)

Main work

- Loosen nut ①.
- Loosen nuts ②.
- Adjust the chain tension by turning adjusting screws ③ left and right.

Guideline

Chain tension	58 ... 61 mm (2.28 ... 2.4 in)
Turn adjusting screws ③ on the left and right so that the markings on the left and right chain adjusters are in the same position relative to reference marks A. The rear wheel is then correctly aligned.	

- Tighten nuts ②.
- Make sure that chain adjusters ④ are fitted correctly on adjusting screws ③.
- Tighten nut ①.

Guideline

Nut, rear wheel spindle	M22x1.5	80 Nm (59 lbf ft)
-------------------------	---------	-------------------



Info

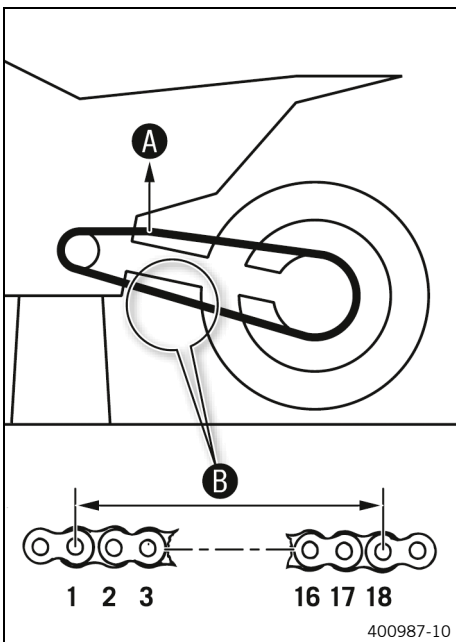
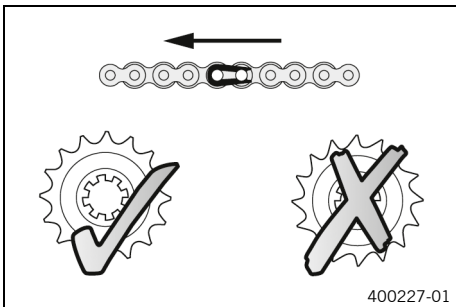
The wide adjustment range of the chain adjusters (32 mm (1.26 in)) enables different secondary ratios with the same chain length.

Chain adjusters ④ can be turned by 180°.

Finishing work

- Remove the motorcycle from the lift stand. (🛠 p. 56)

11.41 Checking the chain, rear sprocket, engine sprocket, and chain guide



Preparatory work

- Raise the motorcycle with a lift stand. (📖 p. 56)

Main work

- Shift the transmission into neutral.
- Check the chain, rear sprocket and engine sprocket for wear.
 - » If the chain, rear sprocket or engine sprocket is worn:
 - Change the drivetrain kit. 🛠️



Info

The engine sprocket, rear sprocket and chain should always be replaced together.

- Pull on the top section of the chain with the specified weight **A**.

Guideline

Weight, chain wear measurement A	10 ... 15 kg (22 ... 33 lb.)
---	------------------------------

- Measure distance **B** of 18 chain rollers in the lower chain section.



Info

Chain wear is not always even, so you should repeat this measurement at different chain positions.

Maximum distance B from 18 chain rollers at the longest chain section	272 mm (10.71 in)
--	-------------------

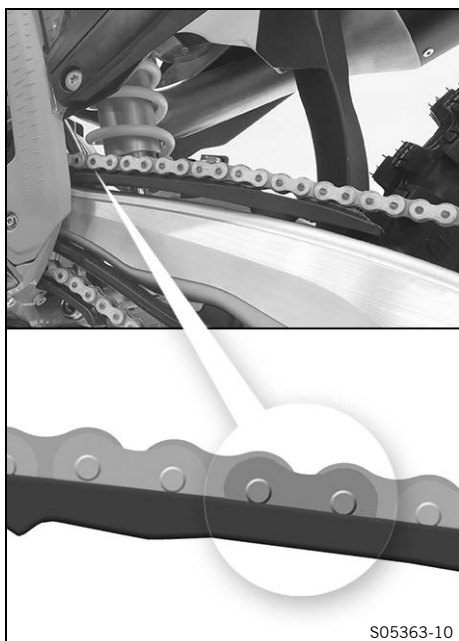
- » If distance **B** is greater than the specified measurement:
 - Change the drivetrain kit. 🛠️



Info

When a new chain is mounted, the rear sprocket and the engine sprocket should also be changed.

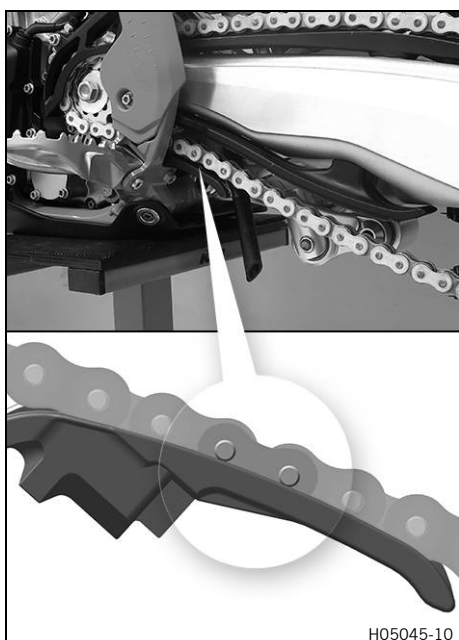
New chains wear out faster on an old, worn rear sprocket or engine sprocket.



- Check the chain sliding guard for wear.
 - » If the lower edge of the chain pins is in line with, or below, the chain sliding guard:
 - Change the chain sliding guard. 🛠️
- Check that the chain sliding guard is firmly seated.
 - » If the chain sliding guard is loose:
 - Tighten screws on the chain sliding guard.

Guideline

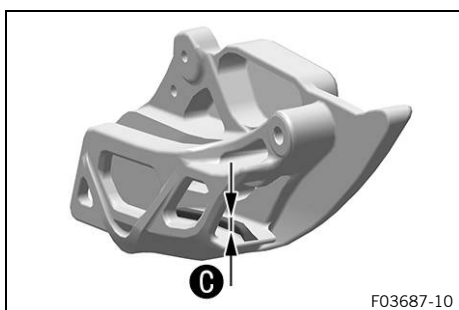
Screw, chain sliding guard on link fork	M6	6 Nm (4.4 lbf ft)
---	----	-------------------



- Check the chain sliding piece for wear.
 - » If the lower edge of the chain pins is in line with or below the chain sliding piece:
 - Change the chain sliding piece. 🛠️
- Check that the chain sliding piece is firmly seated.
 - » If the chain sliding piece is loose:
 - Tighten screw on the chain sliding piece.

Guideline

Screw, chain sliding piece	M8	15 Nm (11.1 lbf ft)
----------------------------	----	---------------------



- Check the chain guide with a slide gage for dimension **C**.

Minimum thickness C of the chain guide	6 mm (0.24 in)
---	----------------

- » If the measured value is less than the specified value:
 - Change the chain guide. 🛠️



- Check that the chain guide is firmly seated.
 - » If the chain guide is loose:
 - Tighten the screws on the chain guide.

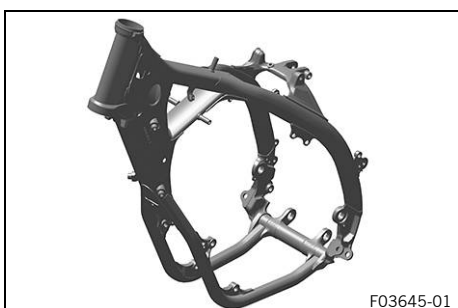
Guideline

Screw, chain guide on link fork at the rear	M6x16	10 Nm (7.4 lbf ft)
Screw, chain guide on link fork at the front	M6x45	10 Nm (7.4 lbf ft)

Finishing work

- Remove the motorcycle from the lift stand. (📖 p. 56)

11.42 Checking the frame 🛠️



- Check the frame for damage, cracking, and deformation.
 - » If the frame shows signs of damage, cracking, or deformation:
 - Change the frame. 🛠️

Guideline

Repairs on the frame are not permitted.

11.43 Checking the link fork 🛠️



- Check the link fork for damage, cracks, and deformation.
 - » If the link fork shows signs of damage, cracks, or deformation:
 - Change the link fork. 🛠️

Guideline

Repairs on the link fork are not permitted.

11.44 Checking the throttle cable routing



Warning

Danger of accidents The throttle cable can become kinked, trapped or blocked if it is not routed correctly.

If the throttle cable is kinked, trapped or blocked, the speed can no longer be controlled.

- Make sure that the throttle cable routing and the play in throttle cable complies with the specification.

Preparatory work

- Remove the seat. (📖 p. 75)
- Remove the fuel tank. 🛠️ (📖 p. 83)



Main work

- Check the throttle cable routing.

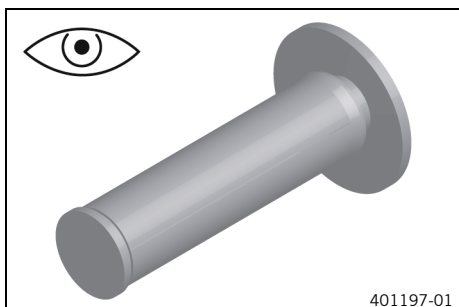
Both throttle cables must be routed, side by side, on the back of the handlebars and above the fuel tank bracket, to the throttle valve body. Both throttle cables must be secured behind the rubber strap of the fuel tank support.

- » If the throttle cable is not routed as specified:
 - Correct the throttle cable routing.

Finishing work

- Install the fuel tank. (🔧 (📖 p. 85)
- Mount the seat. (📖 p. 76)

11.45 Checking the rubber grips



- Check the rubber grips on the handlebar for damage, wear, and looseness.

Info

The rubber grips are vulcanized onto a sleeve on the left and onto the handle tube of the throttle grip on the right. The left sleeve is clamped onto the handlebar. The rubber grip can only be replaced with the sleeve or the throttle tube.

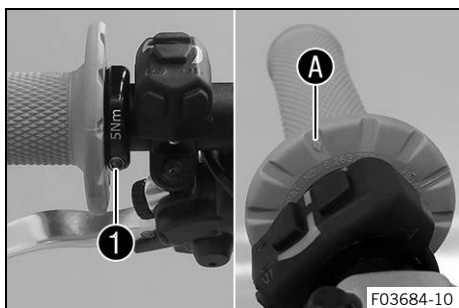
- » If a rubber grip is damaged or worn:
 - Change the rubber grip.

- Check that screw ❶ is firmly seated.

Guideline

Screw, fixed grip	M4	5 Nm (3.7 lbf ft) Loctite®243™
-------------------	----	--

Diamond ❶ must be positioned visibly as shown in the figure.



11.46 Programming the quickshifter

i Info

If the shifting performance of the quickshifter starts to decrease, it must be reprogrammed.



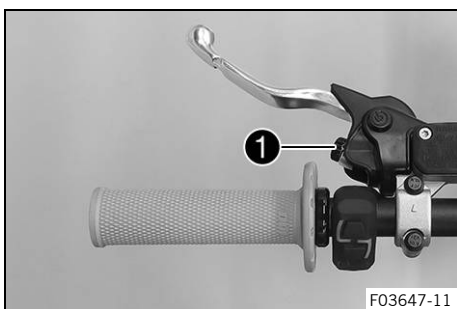
- Carry out start procedure. (📖 p. 29)
- Press and hold the QS button ① for at least 10 seconds.
 - ✓ The QS indicator lamp flashes.
- Pull the clutch lever, engage first-gear and hold the shift lever all the way down.
- Briefly press the QS button ①.
 - ✓ The QS indicator lamp lights up blue, the teaching procedure was successful.

i Info

If the quickshifter cannot be activated, the teaching procedure was unsuccessful and must be repeated.



11.47 Adjusting the basic position of the clutch lever



- Adjust the basic position of the clutch lever to your hand size by turning adjusting screw ①.

i Info

Turn the adjusting screw counterclockwise to decrease the distance between the clutch lever and the handlebar.

Turn the adjusting screw clockwise to increase the distance between the clutch lever and the handlebar.

The range of adjustment is limited.

Only turn the adjusting screw by hand, and do not use force.

Do not make any adjustments while riding.



11.48 Checking/correcting the fluid level of hydraulic clutch

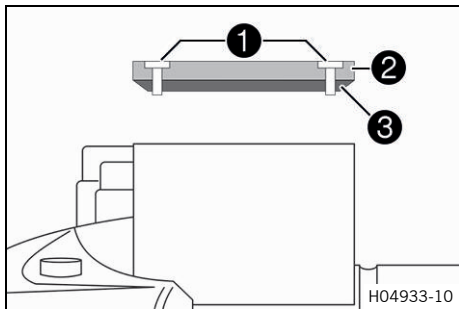
⚠ Warning

Skin irritation Brake fluid is a harmful substance.

- Keep brake fluid out of the reach of children.
- Wear suitable protective clothing and safety glasses.
- Do not allow brake fluid to come into contact with the skin, the eyes or clothing.
- Consult a doctor immediately if brake fluid has been swallowed.
- Rinse the affected area with plenty of water in the event of contact with the skin.
- Rinse eyes thoroughly with water immediately and consult a doctor if brake fluid comes into contact with the eyes.
- If brake fluid spills on to your clothing, change the clothing.

i Info

The fluid level rises with increasing wear of the clutch facing discs.
Avoid contact between brake fluid and painted parts. Brake fluid corrodes paint.



- Move the hydraulic clutch fluid reservoir mounted on the handlebar into a horizontal position.
- Remove screws ①.
- Take off cover ② with membrane ③.
- Check the fluid level.

Fluid level below container rim	4 mm (0.16 in)
---------------------------------	----------------

- » If the fluid level does not meet specifications:
 - Correct the fluid level of the hydraulic clutch.

Brake fluid DOT 4 / DOT 5.1 (📖 p. 165)

- Position the cover with the membrane. Mount and tighten the screws.

i Info

Use water to immediately clean up any brake fluid that has overflowed or spilled.

11.49 Changing the hydraulic clutch fluid 🛠️



Warning

Skin irritation Brake fluid is a harmful substance.

- Keep brake fluid out of the reach of children.
- Wear suitable protective clothing and safety glasses.
- Do not allow brake fluid to come into contact with the skin, the eyes or clothing.
- Consult a doctor immediately if brake fluid has been swallowed.
- Rinse the affected area with plenty of water in the event of contact with the skin.
- Rinse eyes thoroughly with water immediately and consult a doctor if brake fluid comes into contact with the eyes.
- If brake fluid spills on to your clothing, change the clothing.



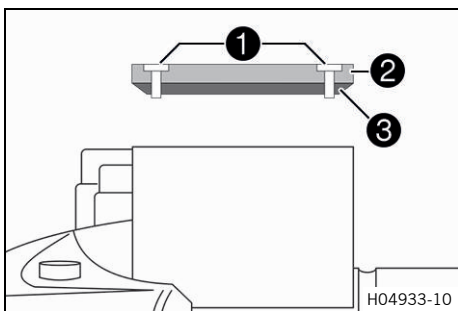
Note

Environmental hazard Hazardous substances cause environmental damage.

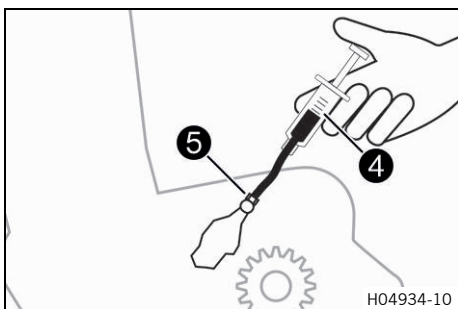
- Dispose of oils, grease, filters, fuel, cleaning agents, brake fluid, etc., correctly and in compliance with the applicable regulations.

i Info

The fluid level rises with increasing wear of the clutch facing discs.
Avoid contact between brake fluid and painted parts. Brake fluid corrodes paint.



- Move the hydraulic clutch fluid reservoir mounted on the handlebar into a horizontal position.
- Remove screws ①.
- Take off cover ② with membrane ③.



- Fill bleeding syringe ④ with the appropriate hydraulic fluid.

Syringe (50329050000)

Brake fluid DOT 4 / DOT 5.1 (📖 p. 165)
--

- On the clutch slave cylinder, remove the protection cap and mount bleeding syringe ④ with an appropriate hose piece on bleeder screw ⑤.
- Only loosen bleeder screw ⑤ on the clutch slave cylinder until filling is possible.



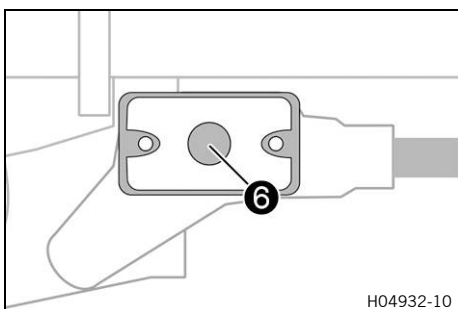
Info

Use water to immediately clean up any brake fluid that has overflowed or spilled.

Avoid contact between brake fluid and painted parts.

Brake fluid corrodes paint.

Only use clean brake fluid from a sealed container.



- Now press the fluid into the system until it emerges from hole ⑥ of the master cylinder without bubbles.
- Occasionally extract the fluid from the master cylinder reservoir to prevent overflowing.
- Tighten the bleeder screw and remove the bleeding syringe with the hose. Mount the protection cap.
- Correct the fluid level of the hydraulic clutch.

Guideline

Fluid level below container rim	4 mm (0.16 in)
---------------------------------	----------------

- Position the cover with the membrane. Mount and tighten the screws.



12.1 Checking the free travel of the hand brake lever

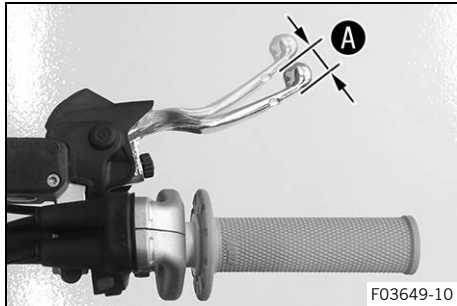


Warning

Danger of accidents The brake system fails in the event of overheating.

If there is no free travel on the hand brake lever, pressure builds up on the front brake circuit.

- Set the free travel on the hand brake lever in accordance with the specification.



- Push the hand brake lever forward and check free travel **A**.

Free travel of hand brake lever	$\geq 3 \text{ mm } (\geq 0.12 \text{ in})$
---------------------------------	---

- » If the free travel does not match the specification:
 - Adjust the basic position of the hand brake lever. (📖 p. 96)

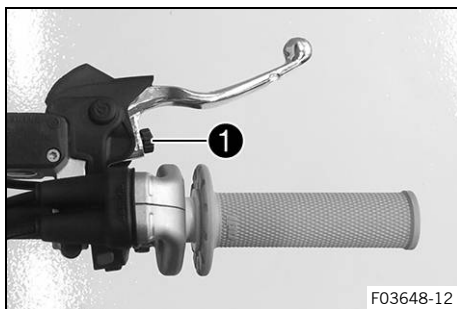
12.2 Adjusting the basic position of the hand brake lever

Preparatory work

- Check the free travel of the hand brake lever. (📖 p. 96)

Main work

- Adjust the basic position of the hand brake lever to your hand size by turning adjusting screw **1**.



Info

Turn the adjusting screw clockwise to increase the distance between the hand brake lever and the handlebar.

Turn the adjusting screw counterclockwise to decrease the distance between the hand brake lever and the handlebar.

The range of adjustment is limited.

Only turn the adjusting screw by hand, and do not use force.

Do not make any adjustments while riding.

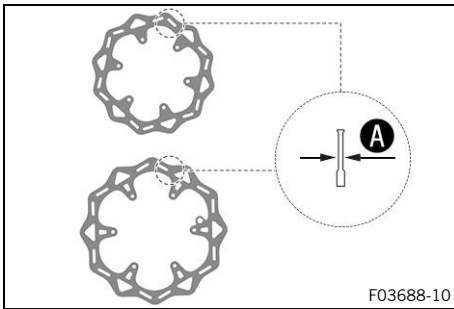
12.3 Checking the brake discs



Warning

Danger of accidents Worn-out brake discs reduce the braking effect.

- Make sure that worn-out brake discs are replaced immediately. (Your authorized KTM workshop will be glad to help.)



- Check the front and rear brake disc thickness at multiple points for the dimension **A**.

i Info
Wear reduces the thickness of the brake disc around the contact surface of the brake linings.

Brake discs - wear limit	
front	2.5 mm (0.098 in)
rear	3.5 mm (0.138 in)

- » If the brake disc thickness is less than the specification:
 - Change the front brake disc. 🛠️
 - Change the rear brake disc. 🛠️
- Check the front and rear brake discs for damage, cracking, and deformation.
 - » If the brake disc exhibits damage, cracking, or deformation:
 - Change the front brake disc. 🛠️
 - Change the rear brake disc. 🛠️



12.4 Checking the front brake fluid level



Warning

Danger of accidents An insufficient brake fluid level will cause the brake system to fail.

If the brake fluid level drops below the specified marking or the specified value, the brake system is leaking or the brake linings are worn down.

- Check the brake system and do not continue riding until the problem is eliminated. (Your authorized KTM workshop will be glad to help.)



Warning

Danger of accidents Brake fluid which is too old or of the wrong type impairs the function of the brake system.

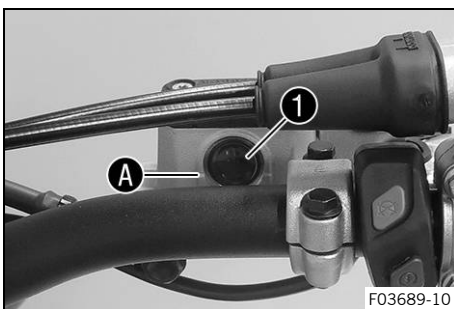
- Make sure that brake fluid for the front and rear brake is changed in accordance with the service schedule. (Your authorized KTM workshop will be glad to help.)
- Make sure that only clean, approved brake fluid from a tightly sealed container is used. (Your authorized KTM workshop will be glad to help.)

Preparatory work

- Check that the brake linings of the front brake are secured. (📖 p. 99)

Main work

- Move the brake reservoir mounted on the handlebar to a horizontal position.
- Check the brake fluid level in level viewer **1**.
 - » If the brake fluid level has dropped below the marking **A**:
 - Add front brake fluid. 🛠️ (📖 p. 98)



12.5 Adding front brake fluid ↴



Warning

Danger of accidents An insufficient brake fluid level will cause the brake system to fail.

If the brake fluid level drops below the specified marking or the specified value, the brake system is leaking or the brake linings are worn down.

- Check the brake system and do not continue riding until the problem is eliminated. (Your authorized KTM workshop will be glad to help.)



Warning

Skin irritation Brake fluid is a harmful substance.

- Keep brake fluid out of the reach of children.
- Wear suitable protective clothing and safety glasses.
- Do not allow brake fluid to come into contact with the skin, the eyes or clothing.
- Consult a doctor immediately if brake fluid has been swallowed.
- Rinse the affected area with plenty of water in the event of contact with the skin.
- Rinse eyes thoroughly with water immediately and consult a doctor if brake fluid comes into contact with the eyes.
- If brake fluid spills on to your clothing, change the clothing.



Warning

Danger of accidents Brake fluid which is too old or of the wrong type impairs the function of the brake system.

- Make sure that brake fluid for the front and rear brake is changed in accordance with the service schedule. (Your authorized KTM workshop will be glad to help.)
- Make sure that only clean, approved brake fluid from a tightly sealed container is used. (Your authorized KTM workshop will be glad to help.)



Note

Environmental hazard Hazardous substances cause environmental damage.

- Dispose of oils, grease, filters, fuel, cleaning agents, brake fluid, etc., correctly and in compliance with the applicable regulations.

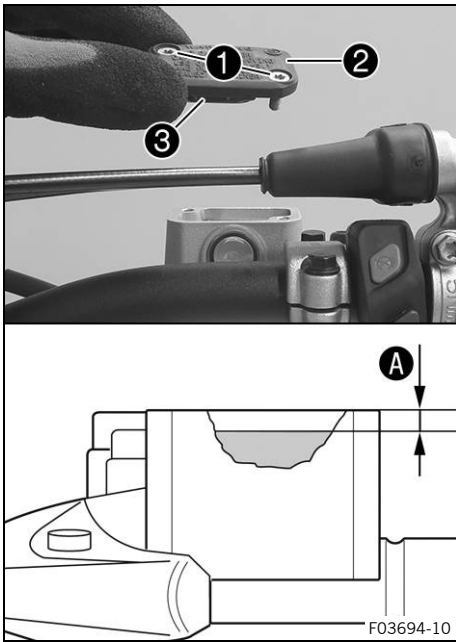


Info

Avoid contact between brake fluid and painted parts. Brake fluid corrodes paint.

Preparatory work

- Check that the brake linings of the front brake are secured.
(📖 p. 99)



Main work

- Move the brake fluid reservoir mounted on the handlebar to a horizontal position.
- Remove screws ①.
- Take off cover ② with membrane ③.
- Add brake fluid to level A.

Guideline

Level A (brake fluid level below reservoir rim)	5 mm (0.2 in)
---	---------------

Brake fluid DOT 4 / DOT 5.1 (📖 p. 165)
--

- Position cover ② with membrane ③. Mount and tighten screws ①.

i Info
Use water to immediately clean up any brake fluid that has overflowed or spilled.

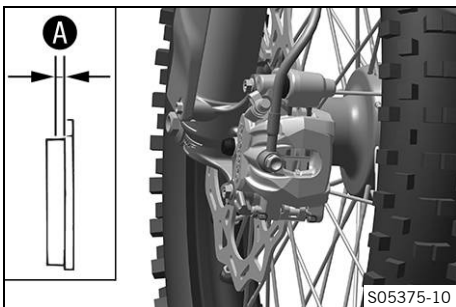
12.6 Checking that the brake linings of the front brake are secured



Warning

Danger of accidents Worn-out brake linings reduce the braking effect.

- Ensure that worn-out brake linings are replaced immediately. (Your authorized KTM workshop will be glad to help.)

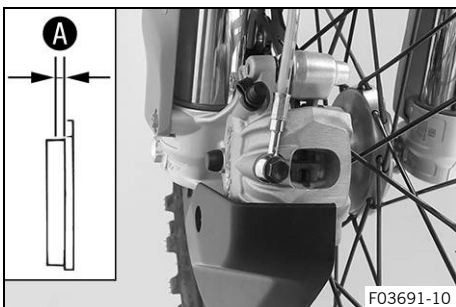


(All standard models)

- Check the brake linings for lining thickness A.

Minimum thickness A	≥ 1 mm (≥ 0.04 in)
---------------------	--------------------

- » If it is less than the minimum thickness:
 - Change the brake linings of the front brake. 🛠 (📖 p. 100)
- Check the brake linings for damage and cracking.
 - » If there is damage or cracking:
 - Change the brake linings of the front brake. 🛠 (📖 p. 100)
- Check that the brake linings are secured.
 - » If the brake linings are not secured correctly:
 - Secure brake linings, replace with new parts if necessary.





(FACTORY EDITION)

- Check the brake linings for lining thickness A.

Minimum thickness A	≥ 1 mm (≥ 0.04 in)
---------------------	--------------------

- » If it is less than the minimum thickness:
 - Change the brake linings of the front brake. 🛠 (📖 p. 100)
- Check the brake linings for damage and cracking.
 - » If there is damage or cracking:

- Change the brake linings of the front brake. 
( p. 100)
- Check that the brake linings are secured.
 - » If the brake linings are not secured correctly:
 - Secure brake linings, replace with new parts if necessary.

12.7 Changing the brake linings of the front brake



Warning

Danger of accidents Incorrect servicing will cause the brake system to fail.

- Ensure that service work and repairs are performed professionally. (Your authorized KTM workshop will be glad to help.)



Warning

Skin irritation Brake fluid is a harmful substance.

- Keep brake fluid out of the reach of children.
- Wear suitable protective clothing and safety glasses.
- Do not allow brake fluid to come into contact with the skin, the eyes or clothing.
- Consult a doctor immediately if brake fluid has been swallowed.
- Rinse the affected area with plenty of water in the event of contact with the skin.
- Rinse eyes thoroughly with water immediately and consult a doctor if brake fluid comes into contact with the eyes.
- If brake fluid spills on to your clothing, change the clothing.



Warning

Danger of accidents Brake fluid which is too old or of the wrong type impairs the function of the brake system.

- Make sure that brake fluid for the front and rear brake is changed in accordance with the service schedule. (Your authorized KTM workshop will be glad to help.)
- Make sure that only clean, approved brake fluid from a tightly sealed container is used. (Your authorized KTM workshop will be glad to help.)



Warning

Danger of accidents Oil or grease on the brake discs reduces the braking effect.

- Always keep the brake discs free of oil and grease.
- Clean the brake discs with brake cleaner when necessary.



Note

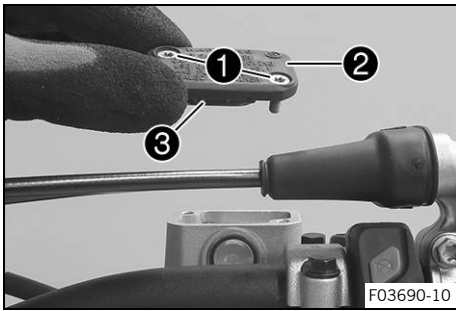
Environmental hazard Hazardous substances cause environmental damage.

- Dispose of oils, grease, filters, fuel, cleaning agents, brake fluid, etc., correctly and in compliance with the applicable regulations.

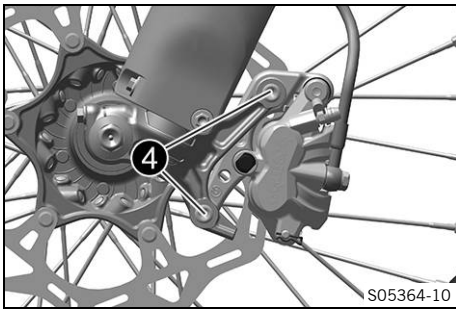


Info

Avoid contact between brake fluid and painted parts. Brake fluid corrodes paint.



- Move the brake fluid reservoir mounted on the handlebar to a horizontal position.
- Remove screws ①.
- Take off cover ② with membrane ③.



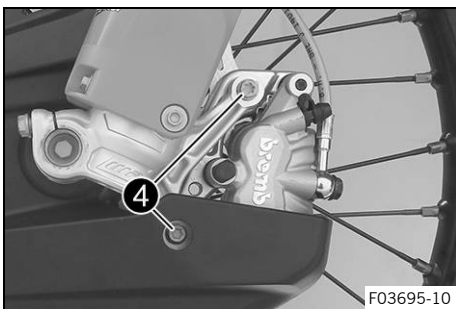
(All standard models)

- Remove screws ④.
- Press back the brake linings by slightly tilting the brake caliper laterally on the brake disc. Carefully pull the brake caliper up and off the brake disc.
- Press the brake piston back into the basic position and ensure that brake fluid does not flow out of the brake fluid reservoir; extract some if necessary.



Info

Do not operate the hand brake lever if the brake caliper has been removed.



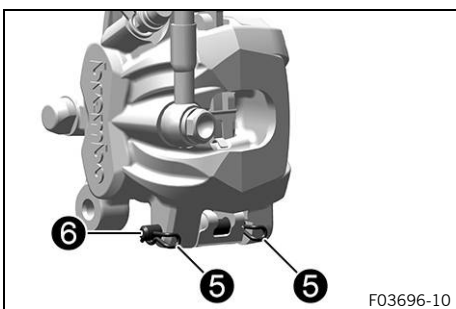
(FACTORY EDITION)

- Remove screws ④.
- Press back the brake linings by slightly tilting the brake caliper laterally on the brake disc. Carefully pull the brake caliper up and off the brake disc.
- Press the brake piston back into the basic position and ensure that brake fluid does not flow out of the brake fluid reservoir; extract some if necessary.

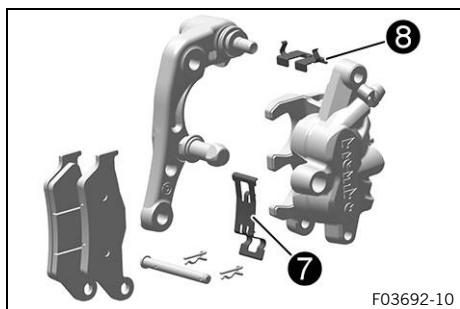


Info

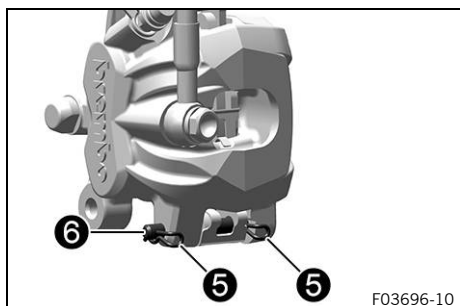
Do not operate the hand brake lever if the brake caliper has been removed.



- Remove cotter pins ⑤, pull out pin ⑥, and remove the brake linings.
- Clean the brake caliper and the brake caliper bracket.



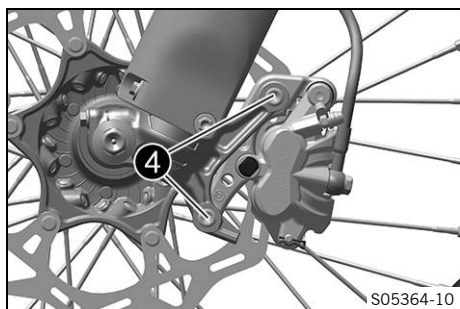
- Check that spring plate **7** in the brake caliper and brake pad sliding plate **8** in the brake caliper bracket are seated correctly.



- Insert the new brake linings, insert pin **6**, and mount cotter pins **5**.

i Info

Always change the brake linings in pairs.
To make it easier to mount the pin, push the brake linings against the retainer spring.
Make sure the brake linings and retainer spring are seated correctly.



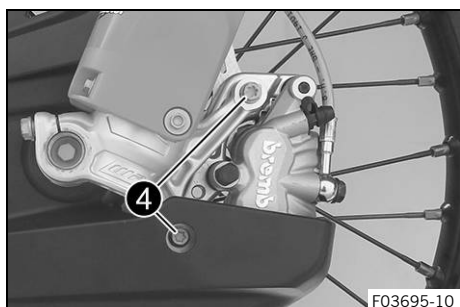
(All standard models)

- Position the brake caliper.
- Mount and tighten screws **4**.

Guideline

Screw, front brake caliper	M8	25 Nm (18.4 lbf ft) Loctite®243™
----------------------------	----	--

- Operate the hand brake lever repeatedly until the brake linings are in contact with the brake disc and there is a pressure point.



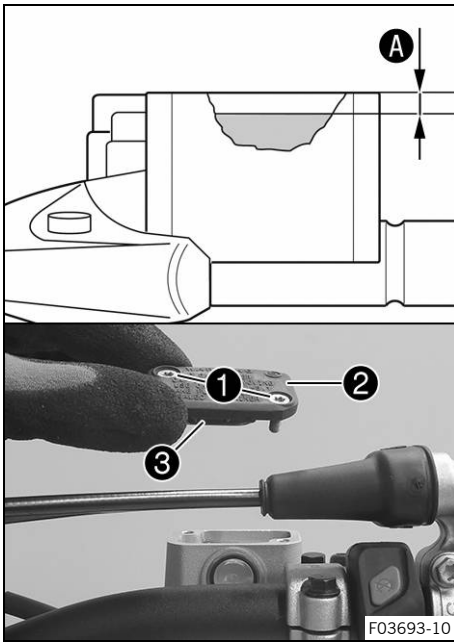
(FACTORY EDITION)

- Position the brake caliper.
- Mount and tighten screws **4**.

Guideline

Screw, front brake caliper	M8	25 Nm (18.4 lbf ft) Loctite®243™
----------------------------	----	--

- Operate the hand brake lever repeatedly until the brake linings are in contact with the brake disc and there is a pressure point.



- Add brake fluid up to level **A**.

Guideline

Level A (brake fluid level below reservoir rim)	5 mm (0.2 in)
--	---------------

Brake fluid DOT 4 / DOT 5.1 (📖 p. 165)
--

- Position cover **2** with membrane **3**.
- Mount and tighten screws **1**.

i Info
Use water to immediately clean up any brake fluid that has overflowed or spilled.

12.8 Checking the free travel of foot brake lever

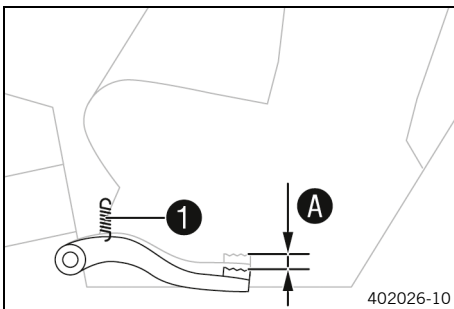


Warning

Danger of accidents The brake system will fail if it overheats or is adjusted incorrectly.

If there is no free travel on the foot brake lever, pressure builds up in the brake system on the rear brake.

- Set the free travel on the foot brake lever in accordance with the specification.
- Ensure that the adjustment steps are performed properly. (Your authorized KTM workshop will be glad to help.)



- Disconnect spring **1**.
- Move the foot brake lever back and forth between the end stop and the contact to the foot brake cylinder piston and check free travel **A**.

Guideline

Free travel at foot brake lever	3 ... 5 mm (0.12 ... 0.2 in)
---------------------------------	------------------------------

- » If the free travel does not meet specifications:
 - Adjust the basic position of the foot brake lever. 🗡 (📖 p. 104)
- Reconnect spring **1**.

12.9 Adjusting the basic position of the foot brake lever ↩

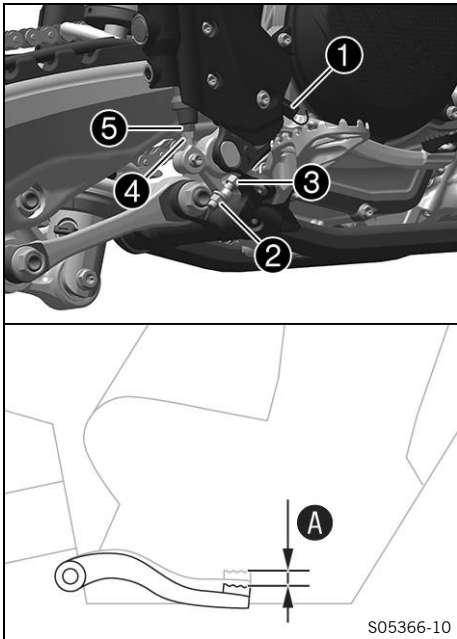


Warning

Danger of accidents The brake system will fail if it overheats or is adjusted incorrectly.

If there is no free travel on the foot brake lever, pressure builds up in the brake system on the rear brake.

- Set the free travel on the foot brake lever in accordance with the specification.
- Ensure that the adjustment steps are performed properly. (Your authorized KTM workshop will be glad to help.)



- Detach spring ①.
- Loosen nut ④ and, with push rod ⑤, turn it back until you have maximum free travel.
- To adjust the basic position of the foot brake lever to individual requirements, loosen nut ② and turn screw ③ accordingly.



Info

The range of adjustment is limited.

- Turn push rod ⑤ accordingly until you have free travel **A**. If necessary, adjust the basic position of the foot brake lever.

Guideline

Free travel at foot brake lever	3 ... 5 mm (0.12 ... 0.2 in)
---------------------------------	------------------------------

- Hold push rod ⑤ and tighten nut ④.

Guideline

Remaining nuts, chassis	M6	10 Nm (7.4 lbf ft)
-------------------------	----	--------------------

- Hold screw ③ and tighten nut ②.

Guideline

Brake lever stop nut	M8	20 Nm (14.8 lbf ft)
----------------------	----	---------------------

- Attach spring ①.

12.10 Checking the rear brake fluid level



Warning

Danger of accidents An insufficient brake fluid level will cause the brake system to fail.

If the brake fluid level drops below the specified marking or the specified value, the brake system is leaking or the brake linings are worn down.

- Check the brake system and do not continue riding until the problem is eliminated. (Your authorized KTM workshop will be glad to help.)

**Warning**

Danger of accidents Brake fluid which is too old or of the wrong type impairs the function of the brake system.

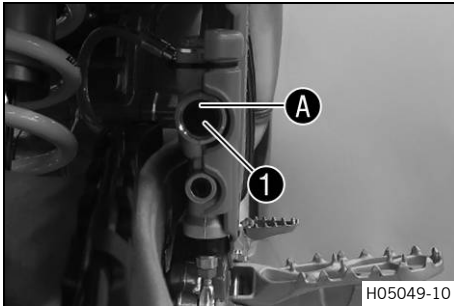
- Make sure that brake fluid for the front and rear brake is changed in accordance with the service schedule. (Your authorized KTM workshop will be glad to help.)
- Make sure that only clean, approved brake fluid from a tightly sealed container is used. (Your authorized KTM workshop will be glad to help.)

Preparatory work

- Check that the brake linings of the rear brake are secured. (🗨 p. 106)

Main work

- Stand the vehicle upright.
- Check the brake fluid level in the viewer **1**.
 - » If the brake fluid level drops below marking **A**:
 - Add rear brake fluid. 🗨 (🗨 p. 105)

**12.11 Adding rear brake fluid 🗨****Warning**

Danger of accidents An insufficient brake fluid level will cause the brake system to fail.

If the brake fluid level drops below the specified marking or the specified value, the brake system is leaking or the brake linings are worn down.

- Check the brake system and do not continue riding until the problem is eliminated. (Your authorized KTM workshop will be glad to help.)

**Warning**

Skin irritation Brake fluid is a harmful substance.

- Keep brake fluid out of the reach of children.
- Wear suitable protective clothing and safety glasses.
- Do not allow brake fluid to come into contact with the skin, the eyes or clothing.
- Consult a doctor immediately if brake fluid has been swallowed.
- Rinse the affected area with plenty of water in the event of contact with the skin.
- Rinse eyes thoroughly with water immediately and consult a doctor if brake fluid comes into contact with the eyes.
- If brake fluid spills on to your clothing, change the clothing.

**Warning**

Danger of accidents Brake fluid which is too old or of the wrong type impairs the function of the brake system.

- Make sure that brake fluid for the front and rear brake is changed in accordance with the service schedule. (Your authorized KTM workshop will be glad to help.)
- Make sure that only clean, approved brake fluid from a tightly sealed container is used. (Your authorized KTM workshop will be glad to help.)



Note

Environmental hazard Hazardous substances cause environmental damage.

- Dispose of oils, grease, filters, fuel, cleaning agents, brake fluid, etc., correctly and in compliance with the applicable regulations.



Info

Avoid contact between brake fluid and painted parts. Brake fluid corrodes paint.

Preparatory work

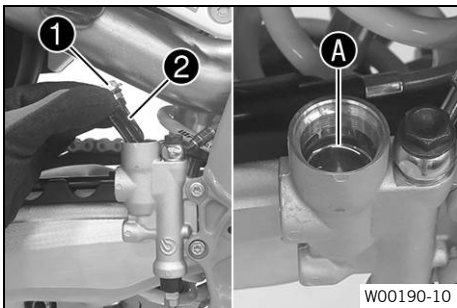
- Check that the brake linings of the rear brake are secured. (📖 p. 106)
- Remove the frame protector. (📖 p. 61)

Main work

- Stand the vehicle upright.
- Remove screw cap ❶ with membrane ❷ and the O-ring.
- Add brake fluid up to the marking A.

Brake fluid DOT 4 / DOT 5.1 (📖 p. 165)
--

- Mount and tighten the screw cap with the membrane and O-ring.



Info

Use water to immediately clean up any brake fluid that has overflowed or spilled.

Finishing work

- Install the frame protector. (📖 p. 61)

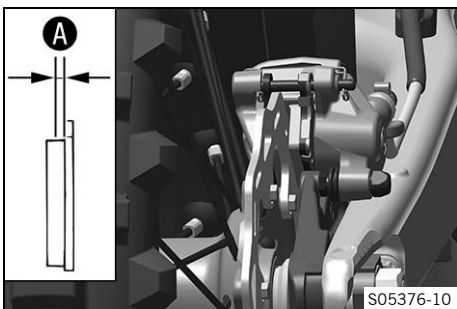
12.12 Checking that the brake linings of the rear brake are secured



Warning

Danger of accidents Worn-out brake linings reduce the braking effect.

- Ensure that worn-out brake linings are replaced immediately. (Your authorized KTM workshop will be glad to help.)



- Check the brake linings for lining thickness A.

Minimum thickness A	≥ 1 mm (≥ 0.04 in)
---------------------	--------------------

- » If it is less than the minimum thickness:
 - Change the rear brake linings. (📖 p. 107)
- Check the brake linings for damage and cracking.
 - » If there is damage or cracking:
 - Change the rear brake linings. (📖 p. 107)
- Check that the brake linings are secured.
 - » If the brake linings are not secured correctly:
 - Secure brake linings, replace with new parts if necessary.

12.13 Changing the rear brake linings ↩



Warning

Danger of accidents Incorrect servicing will cause the brake system to fail.

- Ensure that service work and repairs are performed professionally. (Your authorized KTM workshop will be glad to help.)



Warning

Skin irritation Brake fluid is a harmful substance.

- Keep brake fluid out of the reach of children.
- Wear suitable protective clothing and safety glasses.
- Do not allow brake fluid to come into contact with the skin, the eyes or clothing.
- Consult a doctor immediately if brake fluid has been swallowed.
- Rinse the affected area with plenty of water in the event of contact with the skin.
- Rinse eyes thoroughly with water immediately and consult a doctor if brake fluid comes into contact with the eyes.
- If brake fluid spills on to your clothing, change the clothing.



Warning

Danger of accidents Brake fluid which is too old or of the wrong type impairs the function of the brake system.

- Make sure that brake fluid for the front and rear brake is changed in accordance with the service schedule. (Your authorized KTM workshop will be glad to help.)
- Make sure that only clean, approved brake fluid from a tightly sealed container is used. (Your authorized KTM workshop will be glad to help.)



Warning

Danger of accidents Oil or grease on the brake discs reduces the braking effect.

- Always keep the brake discs free of oil and grease.
- Clean the brake discs with brake cleaner when necessary.



Note

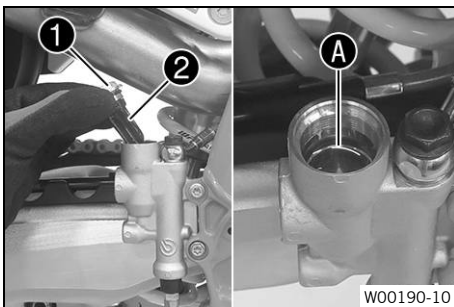
Environmental hazard Hazardous substances cause environmental damage.

- Dispose of oils, grease, filters, fuel, cleaning agents, brake fluid, etc., correctly and in compliance with the applicable regulations.



Info

Avoid contact between brake fluid and painted parts. Brake fluid corrodes paint.

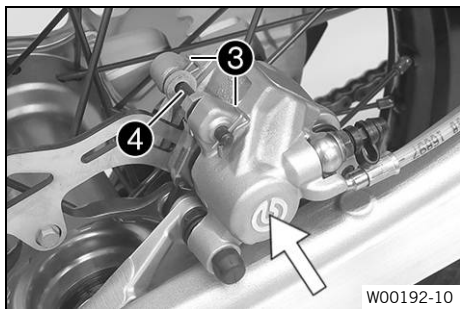


Preparatory work

- Remove the frame protector. (📖 p. 61)

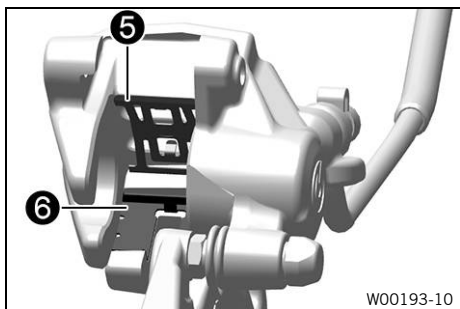
Main work

- Stand the vehicle upright.
- Remove screw cap ① with membrane ② and the O-ring.



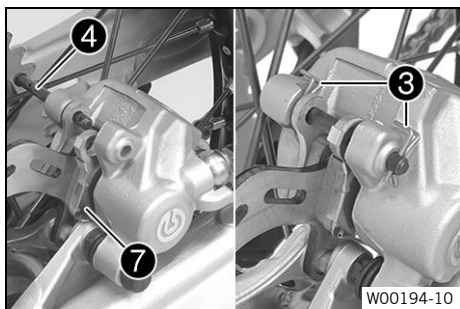
- Manually press the brake caliper toward the brake disc to push back the brake piston. Ensure that brake fluid does not flow out of the brake fluid reservoir; extract some if necessary.

i Info
Make sure that you do not press the brake caliper against the spokes when pushing back the brake piston.



- Remove cotter pins ③, pull out pin ④, and remove the brake linings.
- Clean the brake caliper and the brake caliper bracket.
- Check that spring plate ⑤ in the brake caliper and brake pad sliding plate ⑥ in the brake caliper bracket are seated correctly.

i Info
The arrow on the spring plate points in the direction of rotation of the brake disc.



- Insert the new brake linings, insert pin ④, and mount cotter pins ③.

i Info
Always change the brake linings in pairs.
Make sure that decoupling plate ⑦ is mounted on the piston side brake lining.

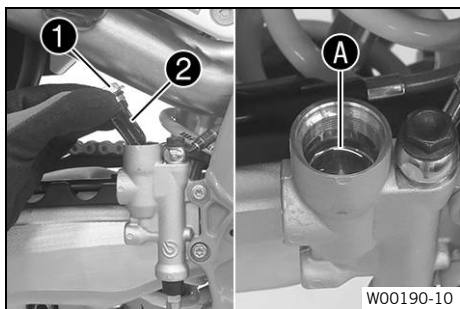
- Operate the foot brake lever repeatedly until the brake linings are in contact with the brake disc and there is a pressure point.

- Correct brake fluid level to marking **A**.

Brake fluid DOT 4 / DOT 5.1 (📖 p. 165)

- Mount and tighten screw cap ① with membrane ② and the O-ring.

i Info
Use water to immediately clean up any brake fluid that has overflowed or spilled.



Finishing work

- Install the frame protector. (📖 p. 61)

13.1 Removing the front wheel ↩

Preparatory work

- Raise the motorcycle with a lift stand. (📖 p. 56)

Main work

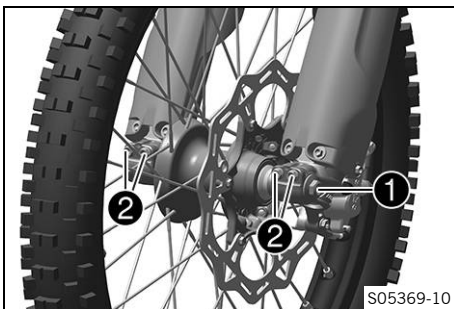
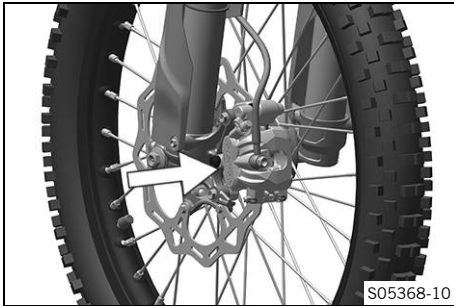
(All standard models)

- Manually press the brake caliper toward the brake disc to push back the brake pistons.



Info

Make sure that you do not press the brake caliper against the spokes when pushing back the brake pistons.



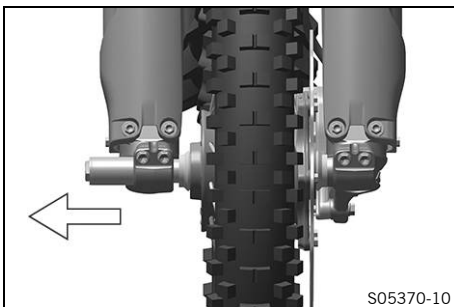
- Loosen screw ① by several rotations.
- Loosen screws ②.
- Press on screw ① to push the wheel spindle out of the axle clamp.
- Remove screw ①.



Warning

Danger of accidents Damaged brake discs reduce the braking effect.

- Always lay the wheel down in such a way that the brake disc is not damaged.



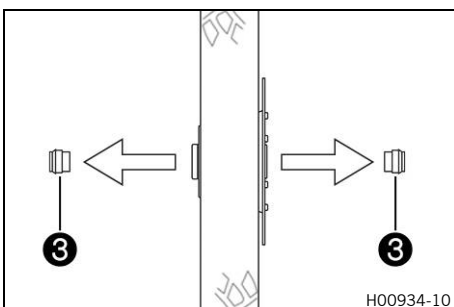
- Hold front wheel and remove wheel spindle. Take the front wheel out of the fork.

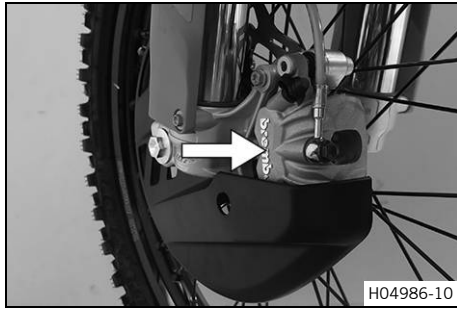


Info

Do not actuate the hand brake lever when the front wheel is removed.

- Remove spacers ③.

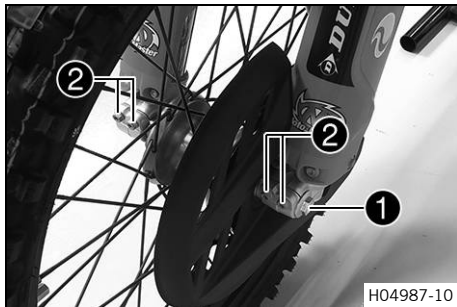




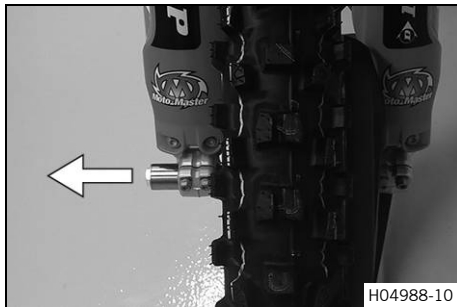
(FACTORY EDITION)

- Manually press the brake caliper toward the brake disc to push back the brake pistons.

i Info
Make sure that you do not press the brake caliper against the spokes when pushing back the brake pistons.



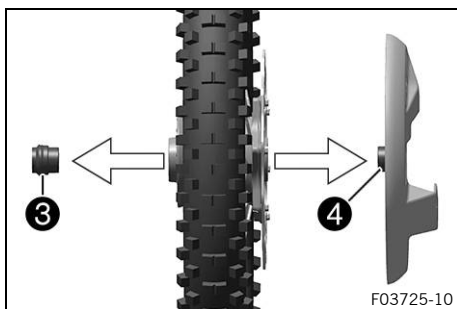
- Loosen screw 1 by several rotations.
- Loosen screws 2.
- Press on screw 1 to push the wheel spindle out of the axle clamp.
- Remove screw 1.



! Warning
Danger of accidents Damaged brake discs reduce the braking effect.
- Always lay the wheel down in such a way that the brake disc is not damaged.

- Hold front wheel and remove wheel spindle. Take the front wheel out of the fork.

i Info
Do not actuate the hand brake lever when the front wheel is removed.



- Remove spacers 3 and brake disc guard 4.

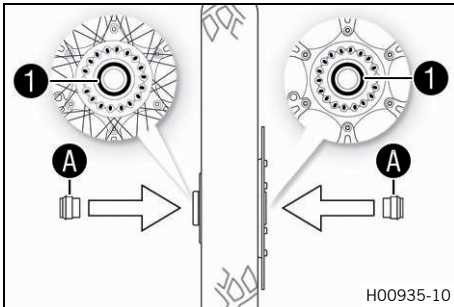
13.2 Installing the front wheel ↩



Warning

Danger of accidents Oil or grease on the brake discs reduces the braking effect.

- Always keep the brake discs free of oil and grease.
- Clean the brake discs with brake cleaner when necessary.



(All standard models)

- Check the wheel bearing for damage and wear.
 - » If the wheel bearing is damaged or worn:
 - Change front wheel bearing. ↩
- Clean and grease shaft seal rings 1 and contact surfaces A of the spacers.

Long-life grease (📖 p. 167)

- Insert the spacers.
- Clean and lightly grease the wheel spindle.

Long-life grease (📖 p. 167)

- Position the front wheel and insert the wheel spindle.
 - ✓ The brake linings are correctly positioned.

- Mount and tighten screw 2.

Guideline

Screw, front wheel spindle	M20x1.5	35 Nm (25.8 lbf ft)
----------------------------	---------	------------------------

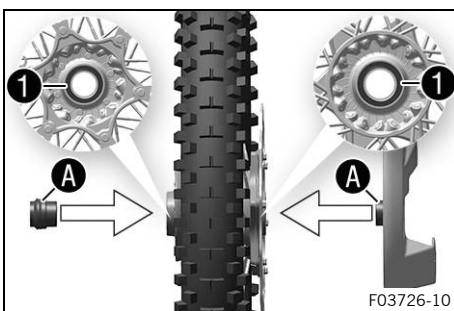
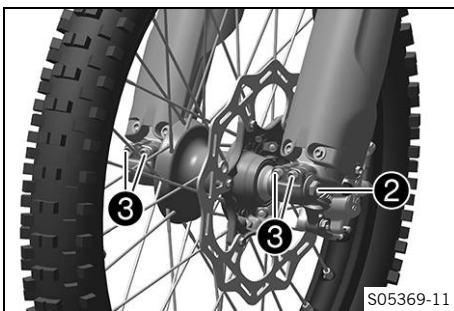
- Operate the hand brake lever several times until the brake linings are seated correctly against the brake disc.
- Remove the motorcycle from the lift stand. (📖 p. 56)
- Operate the front brake and compress the fork a few times firmly.

✓ The fork legs straighten.

- Tighten screws 3.

Guideline

Screw, fork stub	M8	15 Nm (11.1 lbf ft)
------------------	----	------------------------



(FACTORY EDITION)

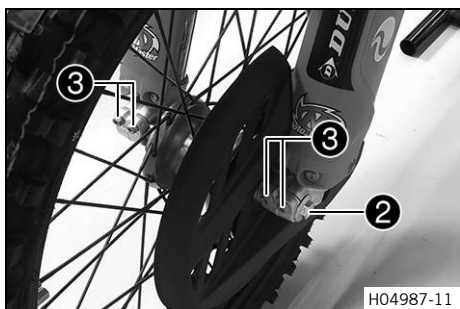
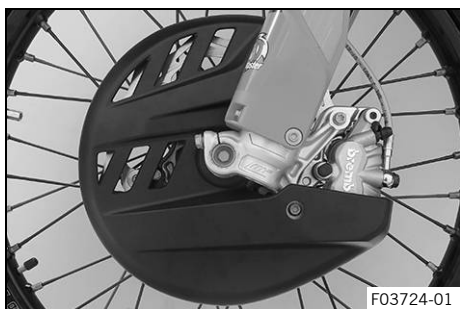
- Check the wheel bearing for damage and wear.
 - » If the wheel bearing is damaged or worn:
 - Change front wheel bearing. ↩
- Clean and grease shaft seal rings 1 and contact surfaces A of the spacers.

Long-life grease (📖 p. 167)

- Insert the spacers.
- Clean and lightly grease the wheel spindle.

Long-life grease (📖 p. 167)

- Position the front wheel and insert the wheel spindle.
 - ✓ The brake linings are correctly positioned.



- Position the brake disc guard.

- Mount and tighten screw ②.

Guideline

Screw, front wheel spindle	M20x1.5	35 Nm (25.8 lbf ft)
----------------------------	---------	------------------------

- Operate the hand brake lever several times until the brake linings are seated correctly against the brake disc.
- Remove the motorcycle from the lift stand. (📖 p. 56)
- Operate the front brake and compress the fork a few times firmly.

✓ The fork legs straighten.

- Tighten screws ③.

Guideline

Screw, fork stub	M8	15 Nm (11.1 lbf ft)
------------------	----	------------------------

13.3 Removing the rear wheel ↩

Preparatory work

- Raise the motorcycle with a lift stand. (📖 p. 56)

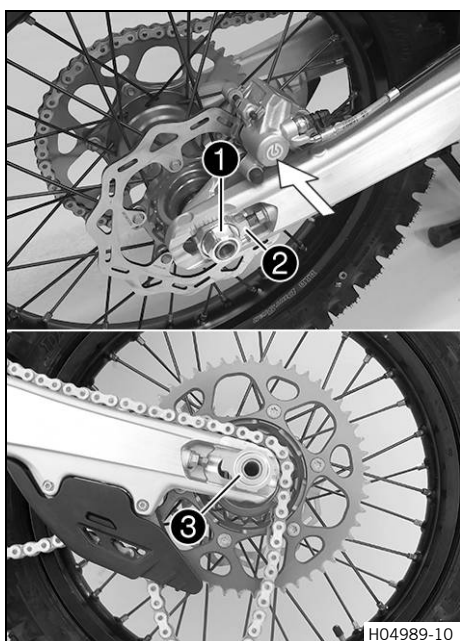
Main work

- Manually press the brake caliper toward the brake disc to push back the brake piston.

i Info
Make sure that you do not press the brake caliper against the spokes when pushing back the brake piston.

- Remove nut ①.
- Take off chain adjuster ②. Only pull out wheel spindle ③ far enough to allow the rear wheel to be pushed forward.
- Push the rear wheel forward as far as possible. Remove the chain from the rear sprocket.

i Info
Cover the components to protect them against damage.





Warning

Danger of accidents Damaged brake discs reduce the braking effect.

- Always lay the wheel down in such a way that the brake disc is not damaged.

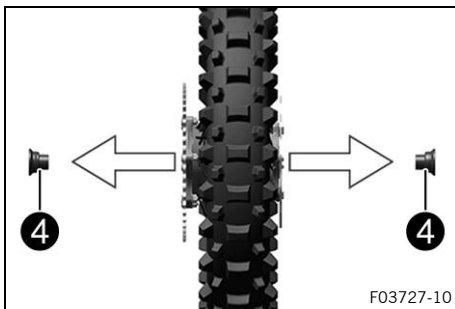
- Hold the rear wheel and remove the wheel spindle. Take the rear wheel out of the link fork.



Info

Do not operate the foot brake lever when the rear wheel is removed.

- Remove spacers ④.



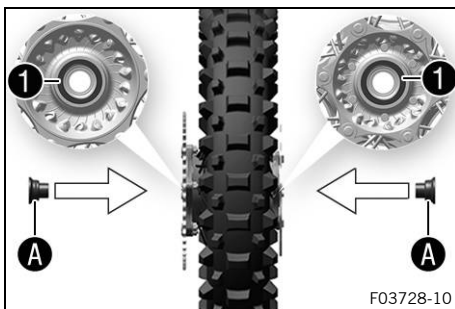
13.4 Installing the rear wheel ↗



Warning

Danger of accidents Oil or grease on the brake discs reduces the braking effect.

- Always keep the brake discs free of oil and grease.
- Clean the brake discs with brake cleaner when necessary.



Main work

- Check the wheel bearing for damage and wear.
 - » If the wheel bearing is damaged or worn:
 - Change the rear wheel bearing. ↗
- Clean and grease shaft seal rings ① and contact surfaces A of the spacers.

Long-life grease (📖 p. 167)

- Insert the spacers.

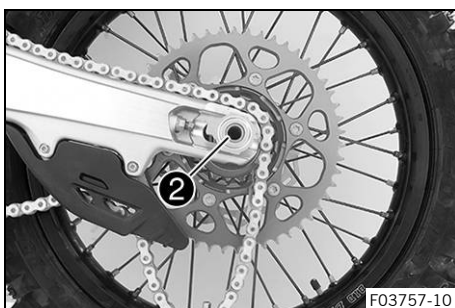
- Clean and grease the wheel spindle.

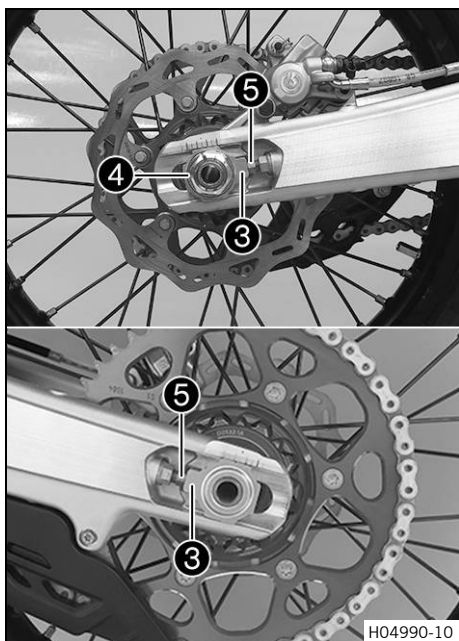
Long-life grease (📖 p. 167)

- Position rear wheel and insert wheel spindle ②.

✓ The brake linings are correctly positioned.

- Mount the chain.





- Position chain adjuster ③. Mount nut ④, but do not tighten it yet.
- Make sure that chain adjusters ③ are fitted correctly on adjusting screws ⑤.
- Check the chain tension. (📖 p. 87)
- Tighten nut ④.

Guideline

Nut, rear wheel spindle	M22x1.5	80 Nm (59 lbf ft)
-------------------------	---------	-------------------

i Info

The wide adjustment range of the chain adjusters (32 mm (1.26 in)) enables different secondary ratios with the same chain length.

Chain adjusters ③ can be turned by 180°.

- Operate the foot brake lever repeatedly until the brake linings are in contact with the brake disc and there is a pressure point.

Finishing work

- Remove the motorcycle from the lift stand. (📖 p. 56)

13.5 Checking the tire condition

i Info

Only mount tires approved and/or recommended by KTM.

Other tires could have a negative effect on handling characteristics.

The type, condition, and pressure of the tires all have a major impact on the handling characteristic of the motorcycle.

The tires mounted on the front and rear wheels must have a similar profile.

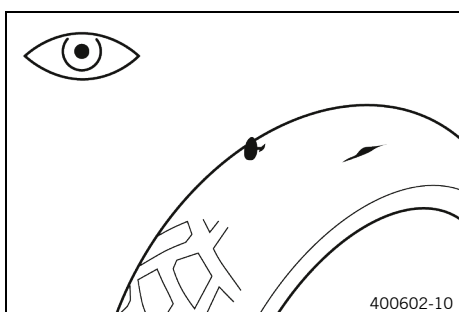
Worn tires have a negative effect on handling characteristics, especially on wet surfaces.

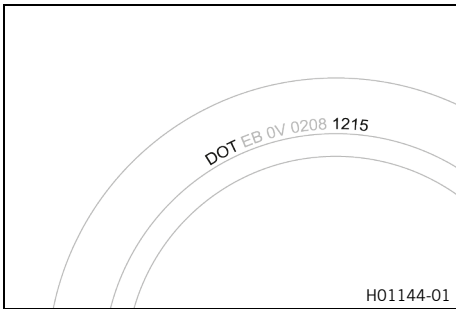
Preparatory work

- Raise the motorcycle with a lift stand. (📖 p. 56)

Main work

- Check the front and rear tires for cuts, embedded objects, and other damage.
 - » If the tires have cuts, run-in objects, or other damage:
 - Change the tires. 🛠️





- Check the tire age.



Info

The tire date of manufacture is usually contained in the tire label and is indicated by the last four digits of the DOT number. The first two digits indicate the week of manufacture and the last two digits the year of manufacture.

KTM recommends that the tires be changed after 5 years at the latest, regardless of the actual state of wear.

- » If the tires are more than 5 years old:
 - Change the tires. 🛠️

Finishing work

- Remove the motorcycle from the lift stand. (📖 p. 56)

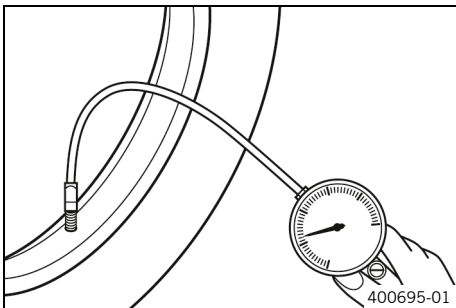


13.6 Checking tire pressure



Info

Low tire pressure leads to abnormal wear and overheating of the tire. Correct tire pressure ensures optimal riding comfort and maximum tire service life.



- Remove the protection cap.
- Check the tire pressure when the tires are cold.

Offroad tire pressure	
front	1.0 bar (15 psi)
rear	1.0 bar (15 psi)

- » If the tire pressure does not meet specifications:
 - Correct the tire pressure.
- Mount the protection cap.



13.7 Checking the spoke tension

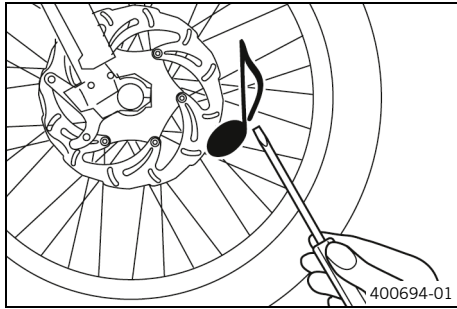


Warning

Danger of accidents Incorrectly tensioned spokes impair the handling characteristic and result in secondary damage.

The spokes break due to being overloaded if they are too tightly tensioned. If the tension in the spokes is too low, then lateral and radial run-out will form in the wheel. Other spokes will become looser as a result.

- Check spoke tension regularly, and in particular on a new vehicle. (Your authorized KTM workshop will be glad to help.)



- Strike each spoke briefly using a screwdriver blade.



Info

The frequency of the sound depends on the spoke length and spoke diameter.
 If spokes of the same length and diameter vibrate with a different tone, this is an indication that the spoke tensions differ.

You should hear a high note.

- » If the spoke tension differs:
 - Correct the spoke tension. 🛠️
- Check the spoke torque.

Guideline

Spoke nipple, front wheel	M4.5	6 Nm (4.4 lbf ft)
Spoke nipple, rear wheel	M4.5	6 Nm (4.4 lbf ft)

Torque wrench kit (58429094000)

14.1 Removing the 12-V battery ↘



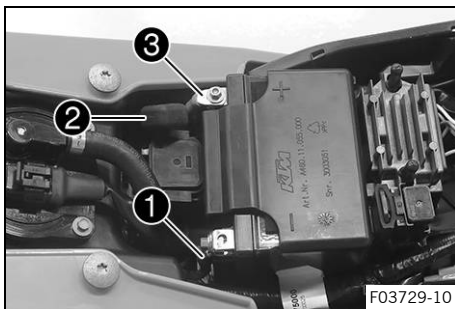
Caution

- Danger of burns** The voltage regulator gets very hot when the vehicle is operated.
- Allow the voltage regulator to cool down before performing any work.



Note

- Environmental hazard** 12 V batteries contain environmentally hazardous materials.
- Do not dispose of 12 V batteries as household waste.
 - Dispose of 12 V batteries at a collection point for used batteries.

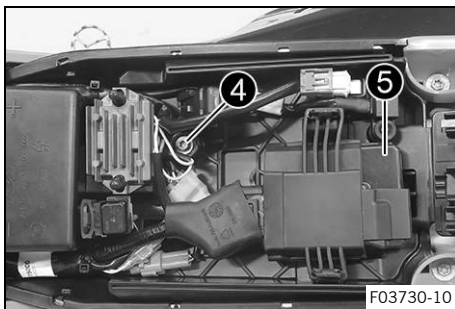


Preparatory work

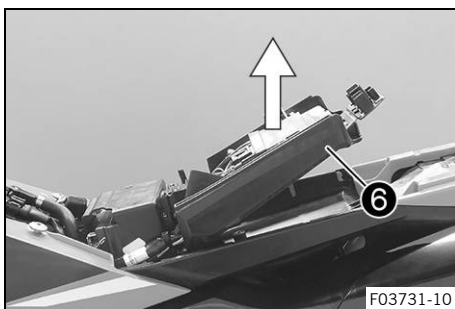
- Remove the seat. (📖 p. 75)

Main work

- Disconnect negative cable **1** from the 12-V battery.
- Pull back positive terminal cover **2** and disconnect positive cable **3** from the 12-V battery.



- Remove screw **4**.
- Pull off engine control unit **5** from the holder and hang to the side.



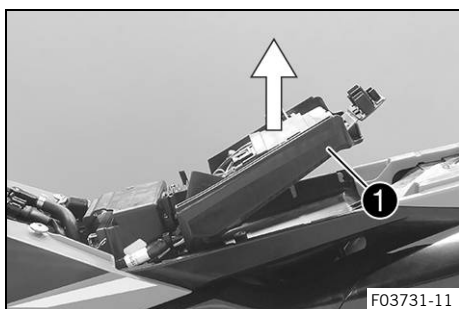
- Pull up the battery holding bracket **6** and remove the 12-V battery to the rear.



Info

Pay attention to the wiring harness.

14.2 Installing the 12-V battery



Main work

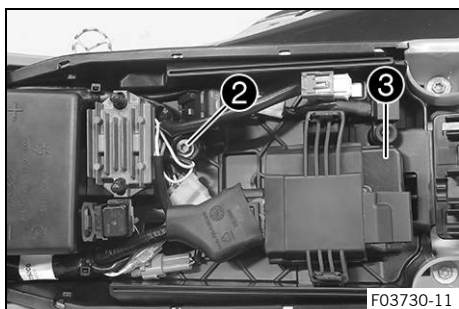
- Pull up the battery holding bracket **1**, put the 12-V battery into the battery compartment with the terminals facing upwards and secure with the battery holding bracket **1**.

12 V battery (HJTZ5S-FP-C) (p. 155)



Info

Ensure that the cable is routed correctly.

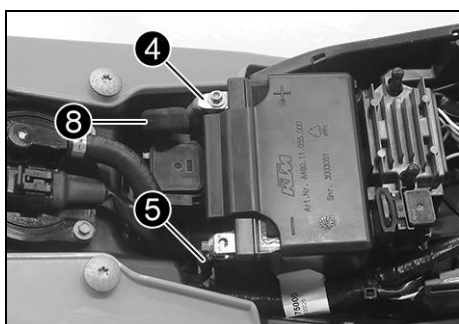


- Mount and tighten screw **2**.

Guideline

Screw, battery holding bracket	M6	6 Nm (4.4 lbf ft)
--------------------------------	----	-------------------

- Attach the engine control unit **3** to the holder.



- Connect positive cable **4** to the 12-V battery.

Guideline

Screw, battery terminal	M5	2.5 Nm (1.84 lbf ft)
-------------------------	----	----------------------

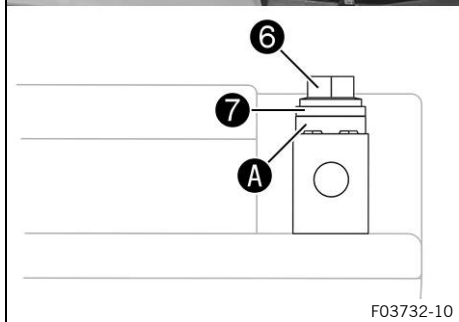
- Connect negative cable **5** to the 12 V battery.

Guideline

Screw, battery terminal	M5	2.5 Nm (1.84 lbf ft)
-------------------------	----	----------------------

Contact disks **A** must be mounted under screws **6** and cable sockets **7** with the claws toward the battery terminal.

- Slide positive terminal cover **8** over the positive terminal.



Finishing work

- Mount the seat. (p. 76)

14.3 Charging the 12-V battery ↻



Warning

Risk of injury 12 V batteries contain harmful substances.

- Keep 12 V batteries out of the reach of children.
- Keep sparks and open flames away from 12 V batteries.
- Only charge 12 V batteries in well-ventilated rooms.
- Maintain a minimum clearance from inflammable materials when charging 12 V batteries.
Minimum clearance 1 m (3 ft)
- Do not charge deeply discharged 12 V batteries if the charge is already below the minimum voltage.
Minimum voltage before the start of the charge 9 V
- Dispose of 12 V batteries correctly if they have less than the minimum voltage.



Note

Environmental hazard 12 V batteries contain environmentally hazardous materials.

- Do not dispose of 12 V batteries as household waste.
- Dispose of 12 V batteries at a collection point for used batteries.



Info

Even when there is no load on the 12-V battery, it discharges steadily each day. The charging level and the method of charging are very important for the service life of the 12-V battery. Rapid recharging with a high charging current shortens the service life of the battery. If the charging current, charging voltage, or charging time is exceeded, the 12 V battery will be destroyed. If the 12-V battery is depleted by repeated starting, the 12-V battery must be charged immediately. If the 12-V battery is left in a discharged state for an extended period, it will become deeply discharged and suffer a loss of capacity, destroying the battery. The 12-V battery is maintenance-free.

Preparatory work

- Remove the seat. (📖 p. 75)
- Remove the 12-V battery. ↻ (📖 p. 117)

Main work

- Check the battery voltage.
 - » Battery voltage: < 9 V
 - Do not charge the 12-V battery.
 - Replace the 12-V battery and dispose of the old 12-V battery properly.
 - » If the specifications have been met:
Battery voltage: ≥ 9 V
 - Connect a battery charger to the 12-V battery. Switch on the battery charger.



Guideline

The charging current, charging voltage, and charging time must not be exceeded.	
Maximum charging voltage	14.4 V
Maximum charging current	3.0 A
Maximum charging time	24 h
Recharge the 12-V battery regularly when the motorcycle is not being used	6 months

(EU) battery charger (79629974000)

Alternative 1

(US) battery charger (79629974500)

These battery chargers test whether the 12-V battery retains its voltage. It is also impossible to overcharge the 12-V battery with these battery chargers. The charging time may be longer at low temperatures.

These battery chargers are only suitable for lithium iron phosphate batteries. Read the accompanying **KTM PowerParts** instructions.



Info

Never remove cover

- Switch off the battery charger after charging and disconnect from the 12-V battery.

Finishing work

- Install the 12-V battery. (📖 p. 118)
- Mount the seat. (📖 p. 76)

14.4 Changing the main fuse



Warning

Fire hazard Incorrect fuses overload the electrical system.

- Only use fuses with the required ampere value.
- Do not bypass or repair fuses.



Caution

Danger of burns The voltage regulator gets very hot when the vehicle is operated.

- Allow the voltage regulator to cool down before performing any work.

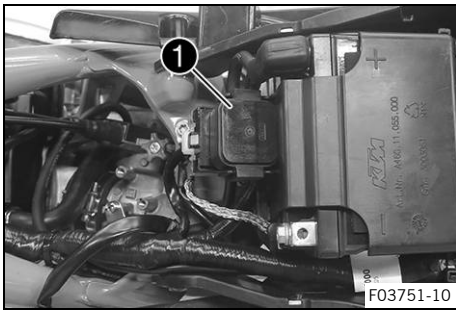


Info

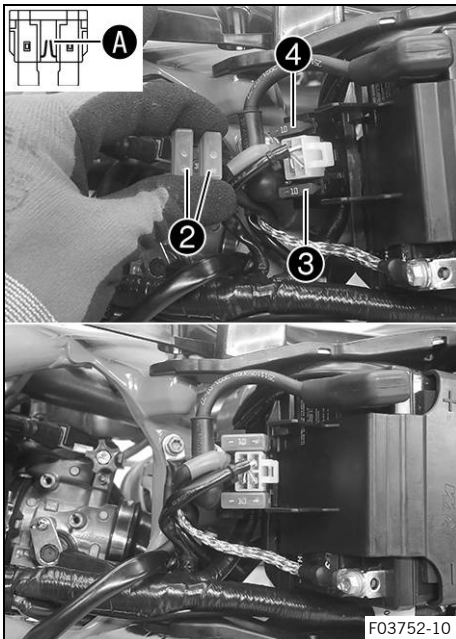
The main fuse protects all electrical power consumers of the vehicle. It is located in the starter relay housing under the seat.

Preparatory work

- Remove the seat. (📖 p. 75)
- Remove the fuel tank. (📖 p. 83)

**Main work**

- Pull starter relay ① from the holder.



- Take off protection caps ②.
- Remove faulty main fuse ③.

**Info**

A faulty fuse has a burned-out fuse wire **A**.
A spare fuse ④ is located in the starter relay.

- Insert a new main fuse.

Fuse (58011109110) (📖 p. 155)

- Check that the electrical system is functioning properly.

**Tip**

Insert a spare fuse so that it is available if needed.

- Mount the protection caps.
- Mount the starter relay onto the holder and route the cable.

Finishing work

- Install the fuel tank. (🔧📖 p. 85)
- Mount the seat. (📖 p. 76)

14.5 Changing the fuse of the fuel pump

**Warning**

Fire hazard Incorrect fuses overload the electrical system.

- Only use fuses with the required ampere value.
- Do not bypass or repair fuses.

**Caution**

Danger of burns The voltage regulator gets very hot when the vehicle is operated.

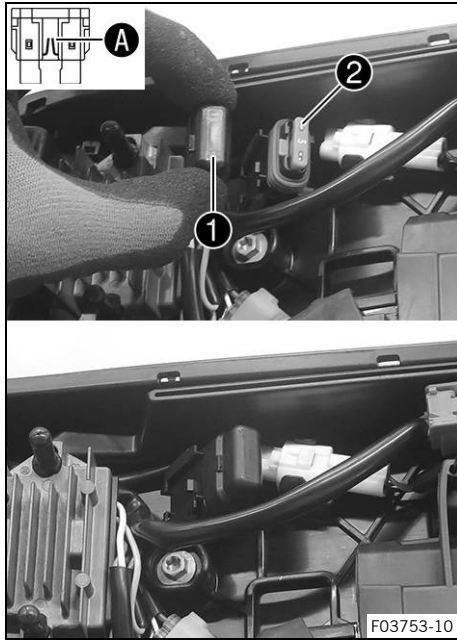
- Allow the voltage regulator to cool down before performing any work.

**Info**

The fuel pump is protected by the fuel pump fuse. This is located under the seat.

Preparatory work

- Remove the seat. (📖 p. 75)



Main work

- Take off protection cap ①.
- Remove the faulty fuse ②.



Info

A faulty fuse has a burned-out fuse wire A.

- Put in the new fuse for the fuel pump.

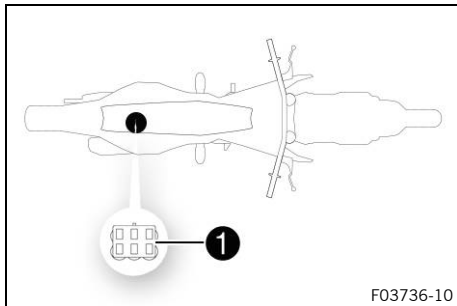
Fuse (58011109105) (📖 p. 155)

- Check that the electrical system is functioning properly.
- Attach the protection cap.

Finishing work

- Mount the seat. (📖 p. 76)

14.6 Diagnostics connector



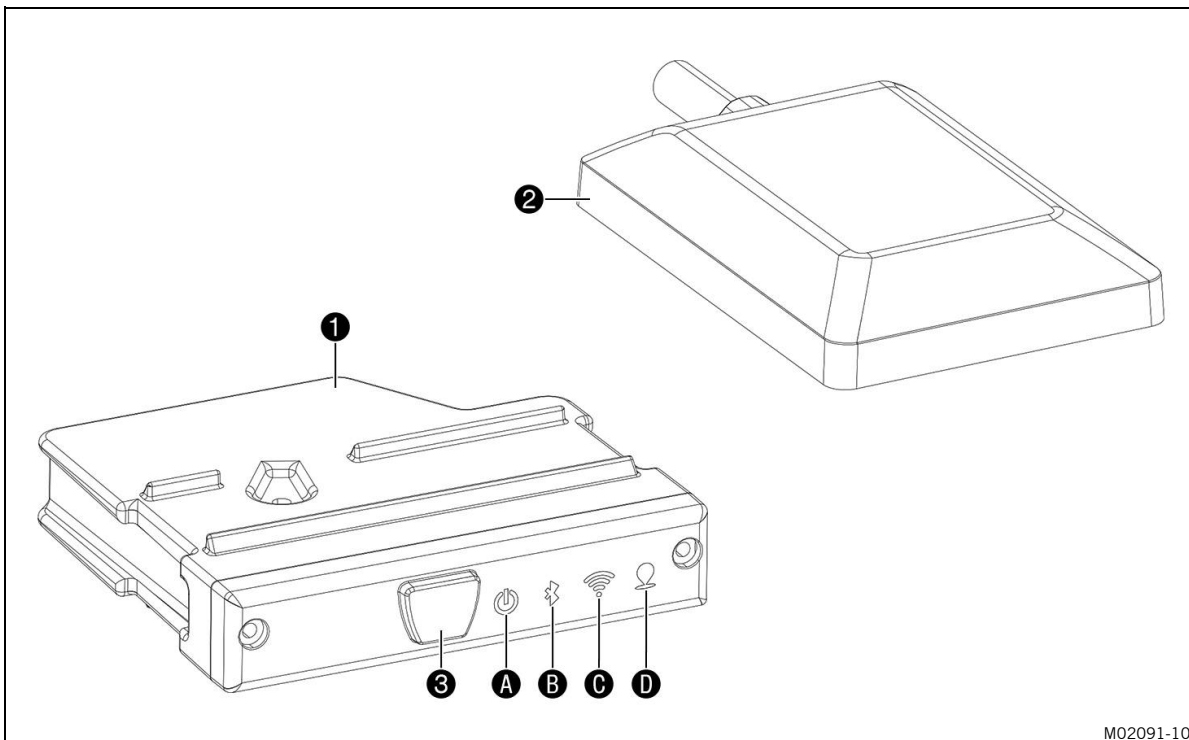
Diagnostics connector ① is located under the seat.



Info

As soon as the diagnostics tool is connected, the service hour counter starts running.
Before longer diagnostic sessions, unplug the service hour counter behind the start number plate.

14.7 Connectivity Unit Offroad (CUO) (FACTORY EDITION)



Connectivity Unit Offroad **1** is attached on the right fork leg.

GPS unit **2** is mounted on the fender.

The app provided by the manufacturer guides you through the operation of the Connectivity Unit Offroad.

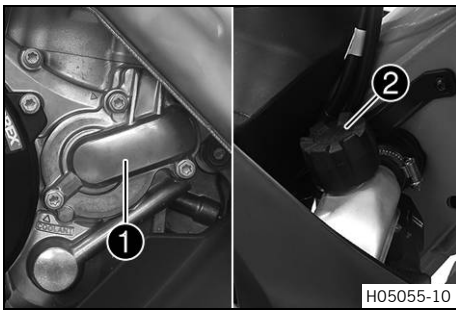
Possible states

- Button **3** is pressed briefly (<1.5 s) – A recording is started or stopped.
- Button **3** is pressed and held (<1.5 s) – The pairing process is started.
- Button **3** is pressed and held (<7 s) – The Connectivity Unit Offroad is reset to factory settings.
- Indicator lamp **A** does not light up – The Connectivity Unit Offroad is switched off.
- Indicator lamp **A** lights up blue – The Connectivity Unit is ready for operation.
- Indicator lamp **A** flashes blue – A recording is downloaded.
- Indicator lamp **A** flashes green – A recording is active.
- Indicator lamp **A** flashes yellow – A recording was started before the position was captured via GPS.
- Indicator lamp **B** does not light up – The **Bluetooth®** module is switched off.
- Indicator lamp **B** lights up blue – **Bluetooth®** is active and no end device is stored.
- Indicator lamp **B** flashes blue – **Bluetooth®** is active and an end device has been set up but not connected.
- Indicator lamp **B** lights up green – The Connectivity Unit Offroad is connected to an end device via **Bluetooth®**.
- Indicator lamp **C** does not light up – The WiFi module is switched off.
- Indicator lamp **C** lights up blue – The WiFi module is active but not connected.
- Indicator lamp **C** lights up green – The WiFi module is active and connected.
- Indicator lamp **D** does not light up – The GPS module is switched off.
- Indicator lamp **D** lights up blue – The GPS module is active but the position is not detected.
- Indicator lamp **D** lights up green – The GPS module is active and the position is detected.

**Info**

Possible trouble codes of indicator lamp **A** are described in the Troubleshooting section.

15.1 Cooling system



Water pump ① in the engine circulates the coolant. The pressure resulting from the warming of the cooling system is regulated by a valve in radiator cap ②. This ensures that operating the vehicle at the specified coolant temperature will not result in a risk of malfunctions.

120 °C (248 °F)

Cooling is effected by the air stream. The lower the speed, the less the cooling effect. Dirty cooling fins also reduce the cooling effect.

15.2 Checking the antifreeze and coolant level



Warning

Danger of scalding During motorcycle operation, the coolant gets hot and is under pressure.

- Do not open the radiator, the radiator hoses or other cooling system components if the engine or the cooling system are at operating temperature.
- Allow the cooling system and the engine to cool down before you open the radiator, the radiator hoses or other components of the cooling system.
- In the event of scalding, rinse the area affected immediately with lukewarm water.



Warning

Danger of poisoning Coolant is harmful to health.

- Keep coolant out of the reach of children.
- Do not allow coolant to come into contact with the skin, the eyes and clothing.
- Consult a doctor immediately if coolant is swallowed.
- Rinse the affected area immediately with plenty of water in the event of contact with the skin.
- Rinse eyes thoroughly with water and consult a doctor immediately if coolant gets into the eyes.
- Change clothing if coolant spills onto your clothing.

Condition

The engine is cold.

- Stand the motorcycle upright on a horizontal surface.
- Remove the radiator cap.
- Check the antifreeze in the coolant.

-25 ... -45 °C (-13 ... -49 °F)

- » If the antifreeze in the coolant does not match the specified value:
 - Correct the antifreeze in the coolant.

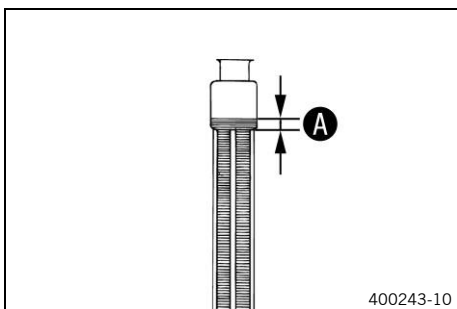
- Check the coolant level in the radiator.

Coolant level ① above the radiator fins	10 mm (0.39 in)
---	-----------------

- » If the coolant level does not match the specified value:
 - Correct the coolant level.

Coolant (📖 p. 165)

- Mount the radiator cap.



15.3 Checking the coolant level



Warning

Danger of scalding During motorcycle operation, the coolant gets hot and is under pressure.

- Do not open the radiator, the radiator hoses or other cooling system components if the engine or the cooling system are at operating temperature.
- Allow the cooling system and the engine to cool down before you open the radiator, the radiator hoses or other components of the cooling system.
- In the event of scalding, rinse the area affected immediately with lukewarm water.



Warning

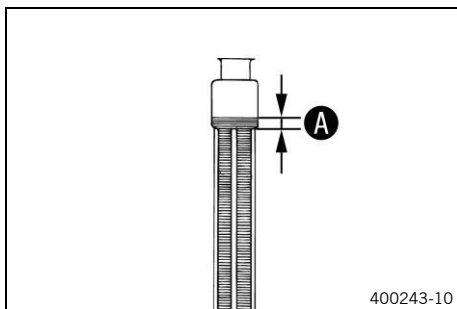
Danger of poisoning Coolant is harmful to health.

- Keep coolant out of the reach of children.
- Do not allow coolant to come into contact with the skin, the eyes and clothing.
- Consult a doctor immediately if coolant is swallowed.
- Rinse the affected area immediately with plenty of water in the event of contact with the skin.
- Rinse eyes thoroughly with water and consult a doctor immediately if coolant gets into the eyes.
- Change clothing if coolant spills onto your clothing.

Condition

The engine is cold.

- Stand the motorcycle upright on a horizontal surface.
- Remove the radiator cap.
- Check the coolant level in the radiator.



Coolant level A above the radiator fins	10 mm (0.39 in)
--	-----------------

- » If the coolant level does not match the specified value:
 - Correct the coolant level.

Coolant (📖 p. 165)

- Mount the radiator cap.

15.4 Draining the coolant 🐉



Warning

Danger of scalding During motorcycle operation, the coolant gets hot and is under pressure.

- Do not open the radiator, the radiator hoses or other cooling system components if the engine or the cooling system are at operating temperature.
- Allow the cooling system and the engine to cool down before you open the radiator, the radiator hoses or other components of the cooling system.
- In the event of scalding, rinse the area affected immediately with lukewarm water.



Warning

Danger of poisoning Coolant is harmful to health.

- Keep coolant out of the reach of children.
- Do not allow coolant to come into contact with the skin, the eyes and clothing.
- Consult a doctor immediately if coolant is swallowed.
- Rinse the affected area immediately with plenty of water in the event of contact with the skin.
- Rinse eyes thoroughly with water and consult a doctor immediately if coolant gets into the eyes.
- Change clothing if coolant spills onto your clothing.

Condition

The engine is cold.

Preparatory work

(XC-F US, FACTORY EDITION)

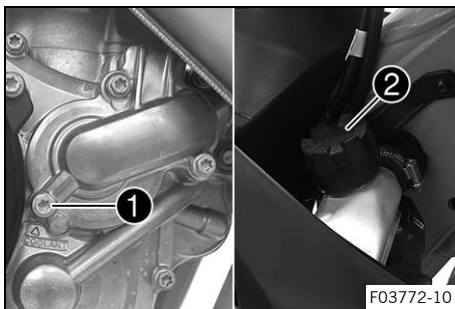
- Remove the engine guard. (📖 p. 60)

Main work

- Position the motorcycle upright.
- Place an appropriate container under the water pump cover.
- Remove screw ❶. Take off radiator cap ❷.
- Completely drain the coolant.
- Mount and tighten screw ❶ with a new seal ring.

Guideline

Screw, water pump cover	M6x25	10 Nm (7.4 lbf ft) Loctite®243™
-------------------------	-------	---



15.5 Refilling with coolant



Warning

Danger of poisoning Coolant is harmful to health.

- Keep coolant out of the reach of children.
- Do not allow coolant to come into contact with the skin, the eyes and clothing.
- Consult a doctor immediately if coolant is swallowed.
- Rinse the affected area immediately with plenty of water in the event of contact with the skin.
- Rinse eyes thoroughly with water and consult a doctor immediately if coolant gets into the eyes.
- Change clothing if coolant spills onto your clothing.

Main work

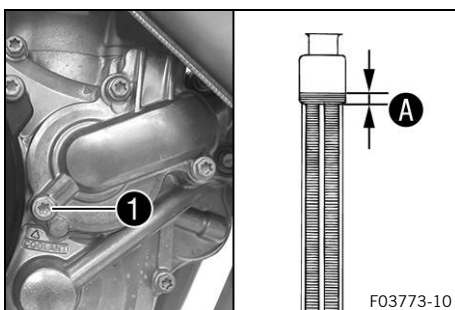
- Make sure that screw ❶ is tightened.
- Position the motorcycle upright.
- Pour coolant in up to measurement A above the radiator fins.

Guideline

Distance A above the radiator fins	10 mm (0.39 in)
------------------------------------	-----------------

Coolant	0.95 l (1 qt.)	Coolant (📖 p. 165)
---------	----------------	--------------------

- Mount the radiator cap.
- Go for a short test ride.
- Check the coolant level. (📖 p. 126)



Finishing work (XC-F US, FACTORY EDITION)

- Install the engine guard. (📖 p. 60)

15.6 Changing the coolant



Warning

Danger of scalding During motorcycle operation, the coolant gets hot and is under pressure.

- Do not open the radiator, the radiator hoses or other cooling system components if the engine or the cooling system are at operating temperature.
- Allow the cooling system and the engine to cool down before you open the radiator, the radiator hoses or other components of the cooling system.
- In the event of scalding, rinse the area affected immediately with lukewarm water.



Warning

Danger of poisoning Coolant is harmful to health.

- Keep coolant out of the reach of children.
- Do not allow coolant to come into contact with the skin, the eyes and clothing.
- Consult a doctor immediately if coolant is swallowed.
- Rinse the affected area immediately with plenty of water in the event of contact with the skin.
- Rinse eyes thoroughly with water and consult a doctor immediately if coolant gets into the eyes.
- Change clothing if coolant spills onto your clothing.

Condition

The engine is cold.

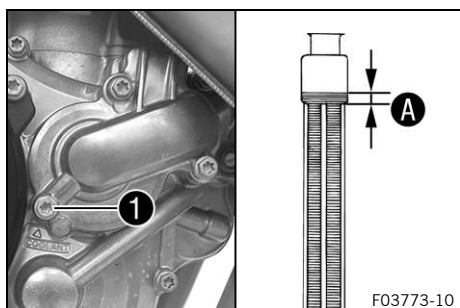
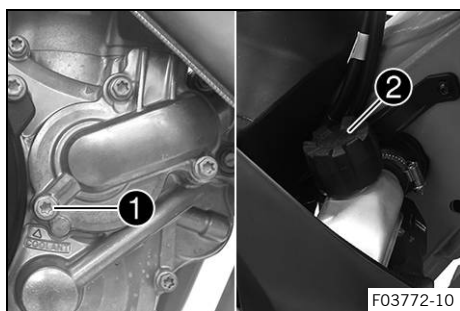
Preparatory work

(XC-F US, FACTORY EDITION)

- Remove the engine guard. (📖 p. 60)

Main work

- Position the motorcycle upright.
- Place an appropriate container under the water pump cover.
- Remove screw **1**. Take off radiator cap **2**.
- Completely drain the coolant.



- Mount and tighten screw **1** with a new seal ring.

Guideline

Screw, water pump cover	M6	10 Nm (7.4 lbf ft)
-------------------------	----	--------------------

- Pour coolant in up to level **A** above the radiator fins.

Guideline

Distance A above the radiator fins	10 mm (0.39 in)
---	-----------------

Coolant	0.95 l (1 qt.)	Coolant (📖 p. 165)
---------	----------------	--------------------

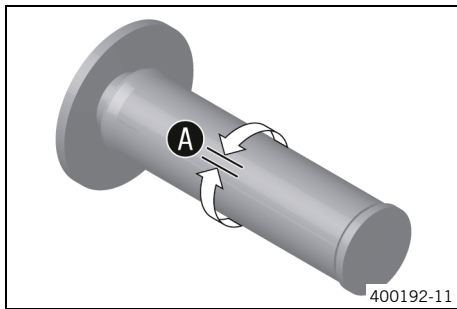
- Mount the radiator cap.
- Go for a short test ride.
- Check the coolant level. (📖 p. 126)

**Finishing work
(XC-F US, FACTORY EDITION)**

- Install the engine guard. (🔧 p. 60)



16.1 Checking the play in the throttle cable



- Check the throttle grip for smooth operation.
- Move the handlebar to the straight-ahead position. Turn the throttle grip back and forth slightly and determine the play in throttle cable **A**.

Play in throttle cable	3 ... 5 mm (0.12 ... 0.2 in)
------------------------	------------------------------

- » If the throttle cable play does not meet the specified value:
 - Adjust the play in the throttle cable. 🛠️ (📖 p. 130)
- Push the cold start button in all the way.

When the throttle grip is turned forward, the cold start button returns to its original position.

- » If the cold start button does not return to its original position:
 - Adjust the play in the throttle cable. 🛠️ (📖 p. 130)



Danger

Danger of poisoning Exhaust gases are toxic and inhaling them may result in unconsciousness and death.

- Always make sure there is sufficient ventilation when running the engine.
- Use effective exhaust extraction when starting or running the engine in an enclosed space.

- Start the engine and let it run at idle speed. Move the handlebar to and fro over the entire steering range.

The idle speed must not change.

- » If the idle speed changes:
 - Adjust the play in the throttle cable. 🛠️ (📖 p. 130)

16.2 Adjusting the play in the throttle cable 🛠️

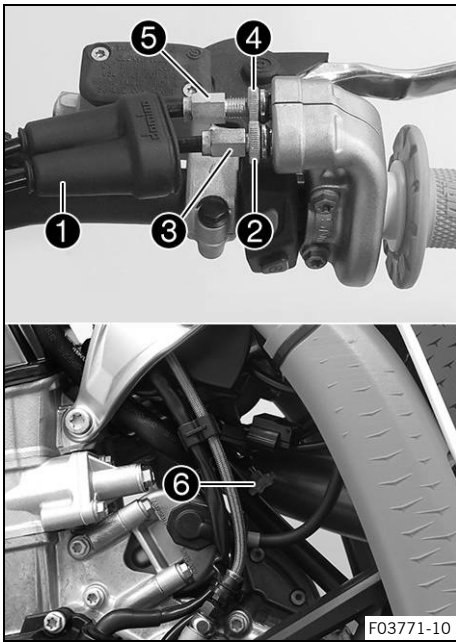


Info

If the correct routing of the throttle cables has already been secured, the fuel tank does not need to be removed.

Preparatory work

- Remove the seat. (📖 p. 75)
- Remove the fuel tank. 🛠️ (📖 p. 83)
- Check the throttle cable routing. (📖 p. 91)



Main work

- Move the handlebar to the straight-ahead position.
- Push back sleeve ①.
- Loosen nut ②.
- Turn adjusting screw ③ in as far as possible.
- Loosen nut ④.
- Push cold start button ⑥ all the way to the stop.
- Turn adjusting screw ⑤ so that the cold start button moves to the basic position when the throttle grip is turned to the front.
- Tighten nut ④.
- Turn adjusting screw ③ so that there is play in the throttle cable at the throttle grip.

Guideline

Play in throttle cable	3 ... 5 mm (0.12 ... 0.2 in)
------------------------	------------------------------

- Tighten nut ②.
- Slide on sleeve ①.
- Check the throttle grip for smooth operation.

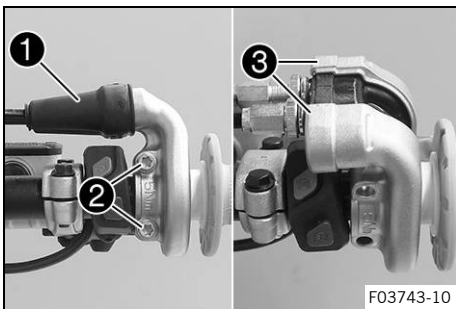
Finishing work

- Check the play in the throttle cable. (📖 p. 130)

16.3 Adjusting the characteristic map of the throttle response

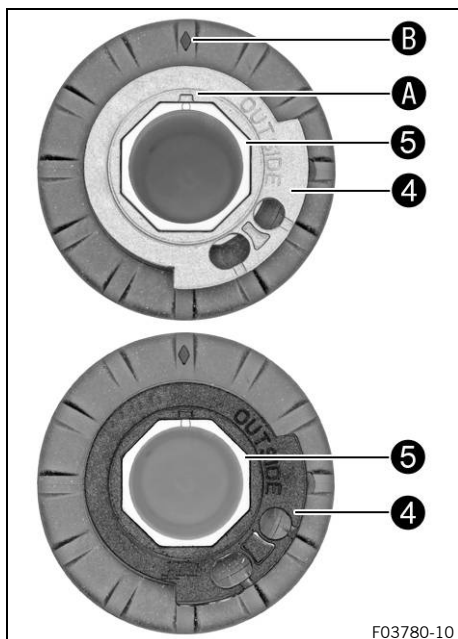
i Info

On the throttle grip, the characteristic map of the throttle response is changed by changing the guide plate.
A guide plate with a different characteristic map is supplied.



Main work

- Push back sleeve ①.
- Remove screws ② and half-shells ③.
- Detach the throttle cables and take off the grip tube.



- Remove guide plate ④ from handle tube ⑤.
- Position the required guide plate on the grip tube.

Guideline

The label **OUTSIDE** must be visible. Marking **A** must be positioned at marking **B**.

Gray guide plate (A48002014000)

Alternative 1

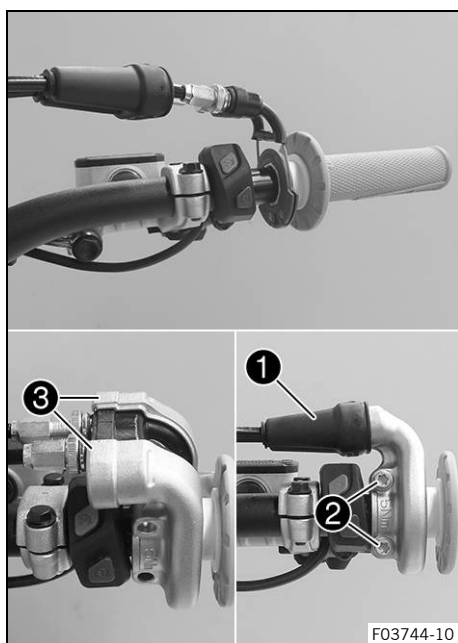
Black guide plate (A46002014000)

i Info

The gray guide plate opens the throttle valve more slowly.

The black guide plate opens the throttle valve more quickly.

The gray guide plate is mounted upon delivery.



- Clean the outside of the handlebar and the inside of the grip tube. Mount the grip tube on the handlebar.
- Attach the throttle cables to the guide plate and route correctly.
- Position half-shells ③, mount and tighten screws ②.

Guideline

Screw, throttle grip	M6	5 Nm (3.7 lbf ft)
----------------------	----	-------------------

- Slide on sleeve ① and check the throttle grip for ease of movement.

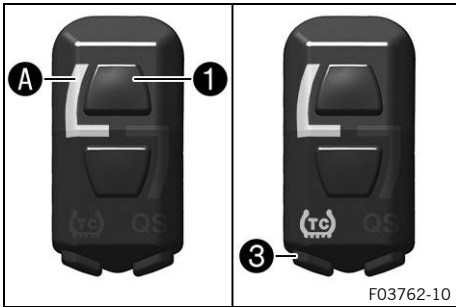
Finishing work

- Check the play in the throttle cable. (📖 p. 130)

16.4 Changing the mapping

i Info

The desired engine characteristic can be activated using the combination switch. The setting most recently selected is activated again when restarting. Traction control can also be activated in each mapping. The mapping can also be changed during the ride.



Activating STANDARD mapping:

- Press button ①.

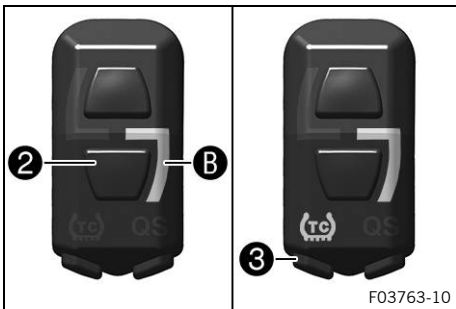
Guideline

Engine speed	< 4,000 rpm
--------------	-------------

- ✓ The indicator lamp ① lights up.
- ✓ STANDARD – balanced response

i Info

Traction control can be activated additionally using the TC button ③.



Activating ADVANCED mapping:

- Press button ②.

Guideline

Engine speed	< 4,000 rpm
--------------	-------------

- ✓ The indicator lamp ② lights up.
- ✓ ADVANCED – direct response

i Info

Traction control can be activated additionally using the TC button ③.

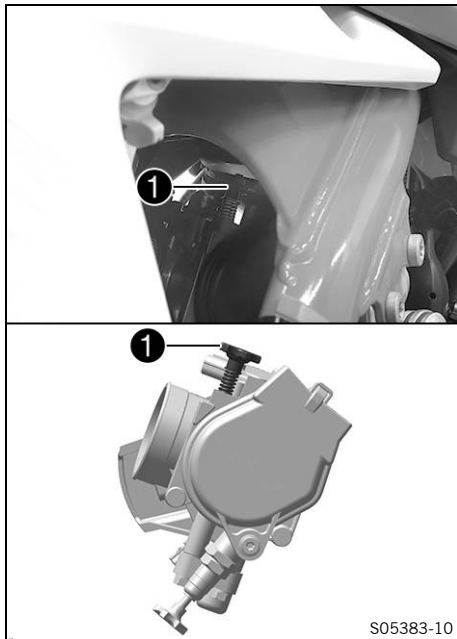
16.5 Adjusting the idle speed ↘



Warning

Danger of accidents The engine may go out spontaneously if the idle speed is set too low.

- Set the idle speed to the specified value. (Your authorized KTM workshop will be glad to help.)



- Run the engine until warm.
- ✓ The cold start button is deactivated – The cold start button is in its basic position. (📖 p. 21)



Danger

Danger of poisoning Exhaust gases are toxic and inhaling them may result in unconsciousness and death.

- Always make sure there is sufficient ventilation when running the engine.
- Use effective exhaust extraction when starting or running the engine in an enclosed space.

- Adjust the idle speed by turning idle speed adjusting screw ① using a suitable tachometer.

Guideline

Idle speed	2,200 ... 2,300 rpm
------------	---------------------



Info

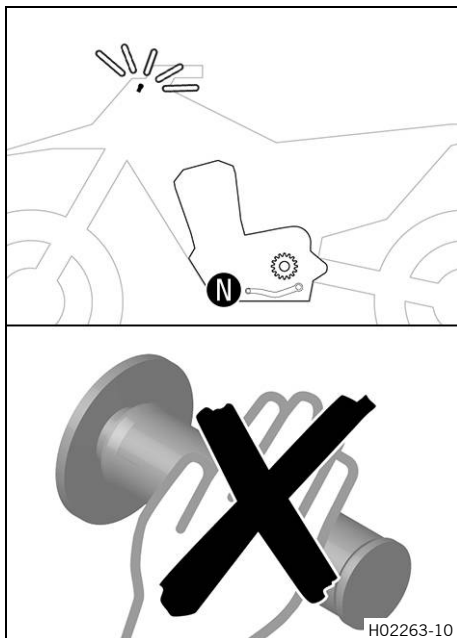
Turning counterclockwise lowers the idle speed. Turning clockwise raises the idle speed.

16.6 Programming the throttle valve position



Info

If the control unit detects that the throttle valve position at idle speed needs to be reprogrammed, then the malfunction indicator lamp flashes 2x per second.



Danger

Danger of poisoning Exhaust gases are toxic and inhaling them may result in unconsciousness and death.

- Always make sure there is sufficient ventilation when running the engine.
- Use effective exhaust extraction when starting or running the engine in an enclosed space.

- Allow the vehicle to run at idle speed.
- ✓ The malfunction indicator lamp stops flashing once programming is completed.

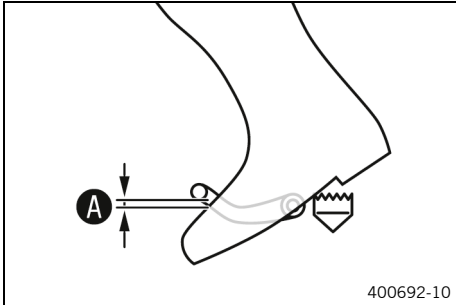


Info

If the engine becomes too warm, perform a cool-down ride at medium speed. After this, do not switch off the engine, but leave it running at idle speed until the programming is finished.



16.7 Checking the basic position of the shift lever

i Info
 When driving, the shift lever must not touch the rider's boot when in the basic position.
 If the shift lever is permanently touching the boot, the transmission will be subject to excessive load; this can cause a malfunction of the quickshifter.

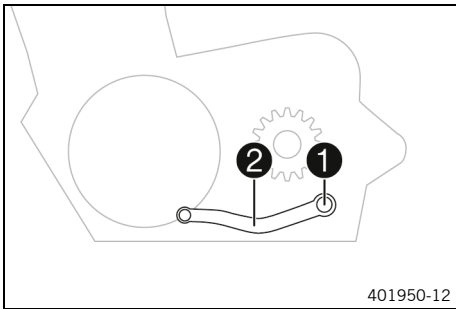


- Sit on the vehicle in the riding position and determine distance **A** between the upper edge of your boot and the shift lever.

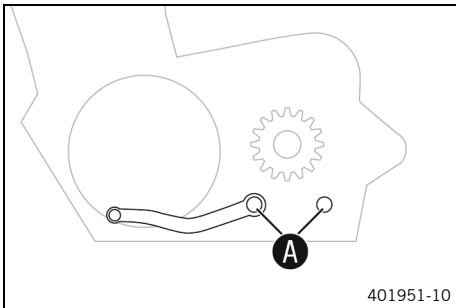
Distance between shift lever and upper edge of boot	10 ... 20 mm (0.39 ... 0.79 in)
---	---------------------------------

- » If the distance does not meet specifications:
 - Adjust the basic position of the shift lever. 
 - ( p. 135)

16.8 Adjusting the basic position of the shift lever 



- Remove screw **1** with the washers and take off shift lever **2**.



- Clean gear teeth **A** of the shift lever and shift shaft.
- Mount the shift lever on the shift shaft in the required position and engage gearing.

i Info
 The range of adjustment is limited.
 The shift lever must not come into contact with any other vehicle components during the shift procedure.

- Mount and tighten screw **1** with washers.

Guideline

Screw, shift lever	M6x16	14 Nm (10.3 lbf ft) Loctite®243™
--------------------	-------	--

17.1 Changing the fuel screen ↩



Danger

Fire hazard Fuel is highly flammable.

The fuel in the fuel tank expands when warm and can escape if overfilled.

- Do not fuel the vehicle in the vicinity of open flames or lit cigarettes.
- Switch off the engine for refueling.
- Make sure that no fuel is spilled; particularly not on hot parts of the vehicle.
- If any fuel is spilled, wipe it off immediately.
- Observe the specifications for refueling.



Warning

Danger of poisoning Fuel is harmful to health.

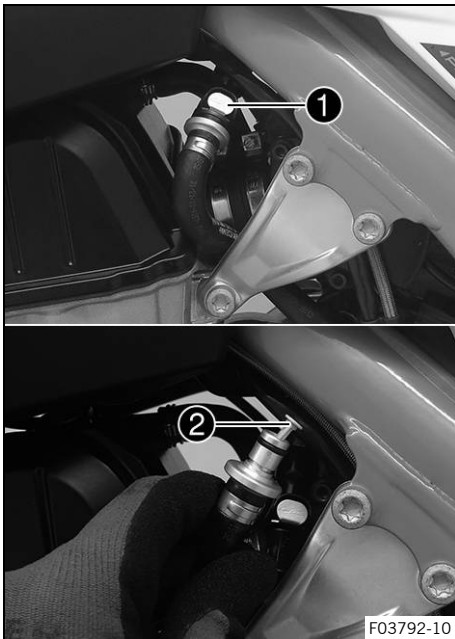
- Avoid skin, eye and clothing contact with fuel.
- Immediately consult a doctor if you swallow fuel.
- Do not inhale fuel vapors.
- Rinse the affected area immediately with plenty of water in the event of contact with the skin.
- Rinse the eyes thoroughly with water, and consult a doctor in case of fuel contact with the eyes.
- Change your clothing if fuel spills on them.



Note

Environmental hazard Improper handling of fuel is a danger to the environment.

- Do not allow fuel to enter the groundwater, the soil, or the sewage system.



- Clean quick release coupling ① thoroughly with compressed air.



Info

Under no circumstances should dirt enter into the fuel line. Dirt in the fuel line clogs the injection valve!

- Disconnect the quick release coupling.



Info

Remaining fuel may flow out of the fuel hose.

- Pull fuel screen ② out of the connecting piece.
- Insert the new fuel screen all the way into the connecting piece.
- Spray silicone spray onto a lint-free cleaning cloth and lightly lubricate the O-ring of the quick-release coupling.

Silicone spray (📖 p. 168)

- Join quick release coupling ①.

**Danger**

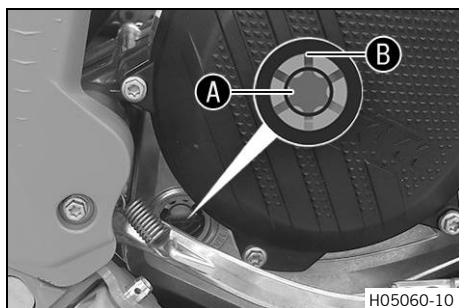
Danger of poisoning Exhaust gases are toxic and inhaling them may result in unconsciousness and death.

- Always make sure there is sufficient ventilation when running the engine.
- Use effective exhaust extraction when starting or running the engine in an enclosed space.

- Start the engine and check the response.

**17.2 Checking the engine oil level****Info**

The engine oil level can be checked when the engine is cold or warm.

**Preparatory work**

- Stand the motorcycle upright on a horizontal surface.

Condition

The engine is cold.

- Check the engine oil level.

The engine oil reaches the middle of level viewer **A**.

- » If the engine oil does not reach the middle of the level viewer:
 - Add engine oil. (📖 p. 140)

Condition

The engine is at operating temperature.

- Check the engine oil level.

**Info**

After switching off the engine, wait one minute before checking the level.

The engine oil level is between the middle of the level viewer **A** and the upper edge of the level viewer **B**.

- » If the engine oil does not reach the middle of level viewer **A**:
 - Add engine oil. (📖 p. 140)

**17.3 Changing the engine oil and oil filter, cleaning the oil screens 🛠️****Warning**

Danger of scalding Engine and gear oil get hot when the motorcycle is operated.

- Wear suitable protective clothing and safety gloves.
- In the event of scalding, rinse the area affected immediately with lukewarm water.



Note

Environmental hazard Hazardous substances cause environmental damage.

- Dispose of oils, grease, filters, fuel, cleaning agents, brake fluid, etc., correctly and in compliance with the applicable regulations.



Info

Drain the engine oil while the engine is at operating temperature.

Preparatory work

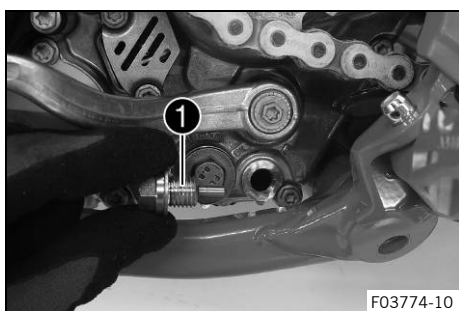
- Park the motorcycle on a level surface.

(XC-F US, FACTORY EDITION)

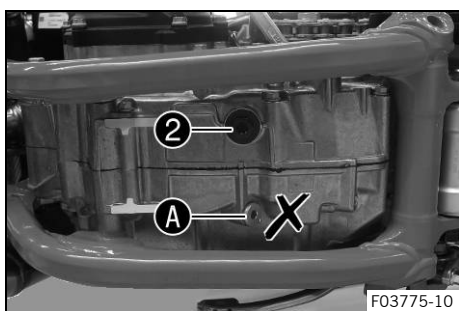
- Remove the engine guard. (📖 p. 60)

Main work

- Position an appropriate container under the engine.
- Remove oil drain plug ❶ with the magnet and seal ring.



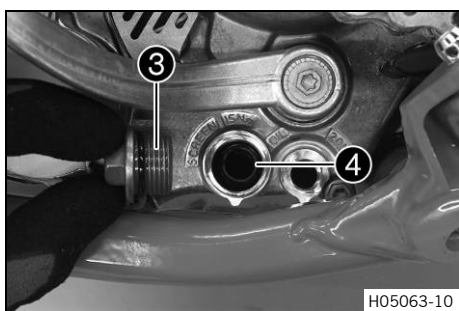
- Remove screw plug ❷ with the O-ring.



Info

Do not remove screw A.

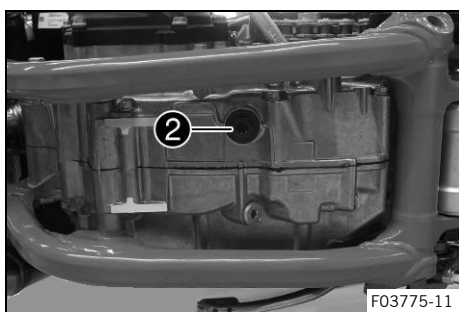
- Remove screw plug ❸ with long oil screen ❹ and the O-rings.
- Allow the engine oil to drain completely.
- Thoroughly clean the parts and the sealing surfaces.



- Mount and tighten screw plug ❷ with new O-ring.

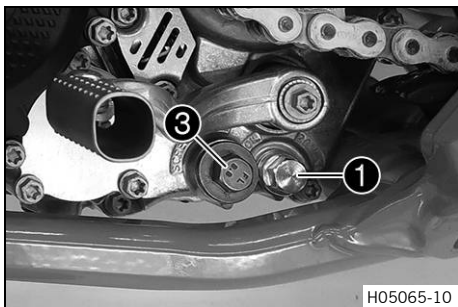
Guideline

Screw plug, crankcase	M16x1.5	15 Nm (11.1 lbf ft)
-----------------------	---------	---------------------





- Position long oil screen **4** with the O-rings on a pin wrench.
- Position the pin wrench through the drill hole of the screw plug in the opposite section of the engine case.
- Push the oil screen all the way into the engine case.



- Mount and tighten screw plug **3** with the O-ring.

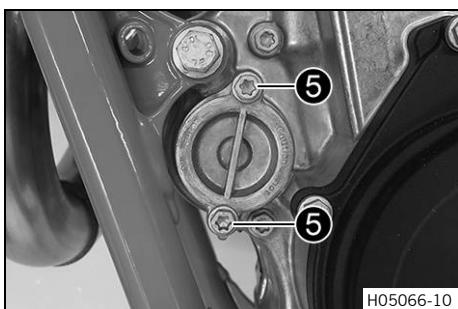
Guideline

Screw plug, oil screen	M20x1.5	15 Nm (11.1 lbf ft)
------------------------	---------	---------------------

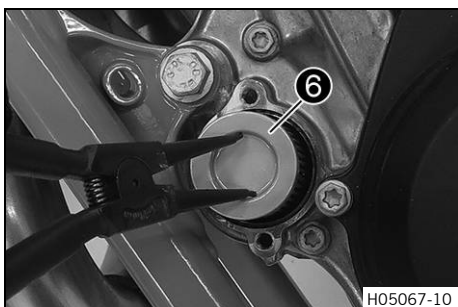
- Mount and tighten oil drain plug **1** with the magnet and a new seal ring.

Guideline

Oil drain plug with magnet	M12x1.5	20 Nm (14.8 lbf ft)
----------------------------	---------	---------------------



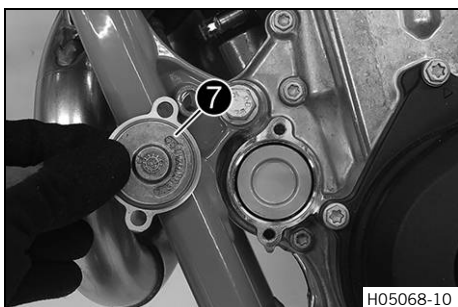
- Remove screws **5**. Take off the oil filter cover with the O-ring.



- Pull oil filter **6** out of the oil filter housing.

Lock ring plier (51012011000)

- Allow the engine oil to drain completely.
- Thoroughly clean the parts and the sealing surfaces.

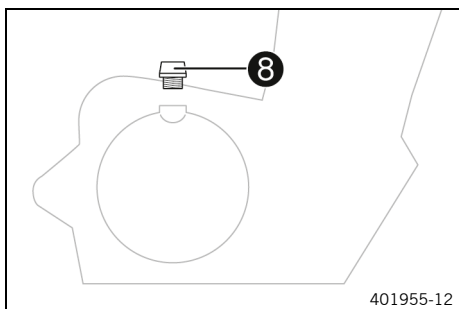


- Lay the motorcycle on its side and fill the oil filter housing to about 1/3 full with engine oil.
- Place the oil filter into the oil filter housing.
- Lubricate the O-ring of the oil filter cover and mount it with oil filter cover **7**.
- Mount and tighten the screws.

Guideline

Screw, oil filter cover	M6x16	10 Nm (7.4 lbf ft)
-------------------------	-------	--------------------

- Stand the motorcycle upright.



- Remove filler plug **8** with the O-ring, and fill up with engine oil.

Engine oil	1.20 l (1.27 qt.)	Engine oil (SAE 10W/50) (📖 p. 165)
------------	----------------------	--

- Info**
Too little engine oil or poor-quality engine oil will result in premature wear of the engine.

- Mount and tighten the filler plug together with the O-ring.

- Danger**
Danger of poisoning Exhaust gases are toxic and inhaling them may result in unconsciousness and death.
 - Always make sure there is sufficient ventilation when running the engine.
 - Use effective exhaust extraction when starting or running the engine in an enclosed space.

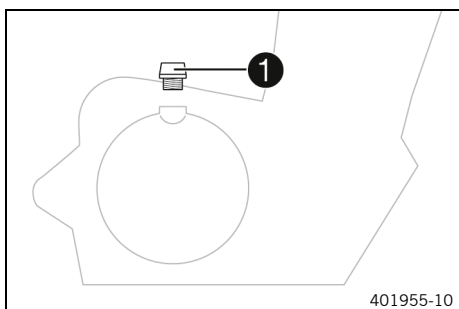
- Start the engine and check it for leaks.

Finishing work (XC-F US, FACTORY EDITION)

- Install the engine guard. (📖 p. 60)
- Check the engine oil level. (📖 p. 137)

17.4 Adding engine oil

- Info**
Too little engine oil or poor-quality engine oil will result in premature wear of the engine.



- Remove filler plug **1** with the O-ring.
- Add the same engine oil used when the last oil change was carried out.

Engine oil (SAE 10W/50) (📖 p. 165)

- Info**
For optimal performance of the engine oil, do not mix different types of engine oil.
KTM recommends changing the engine oil where necessary.

- Mount and tighten the filler plug together with the O-ring.

- Danger**
Danger of poisoning Exhaust gases are toxic and inhaling them may result in unconsciousness and death.
 - Always make sure there is sufficient ventilation when running the engine.
 - Use effective exhaust extraction when starting or running the engine in an enclosed space.

- Start the engine and check for leaks.



18.1 Cleaning the motorcycle

Note

Material damage Components become damaged or destroyed if a pressure cleaner is used incorrectly.

The high pressure forces water into the electrical components, connectors, throttle cables, and bearings, etc. Pressure which is too high causes malfunctions and destroys components.

- Do not direct the water jet directly on to electrical components, connectors, throttle cables or bearings.
- Maintain a minimum distance between the nozzle of the pressure cleaner and the component.

Minimum clearance

60 cm (23.6 in)



Note

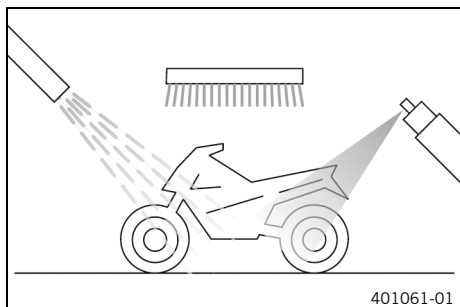
Environmental hazard Hazardous substances cause environmental damage.

- Dispose of oils, grease, filters, fuel, cleaning agents, brake fluid, etc., correctly and in compliance with the applicable regulations.



Info

To maintain the value and appearance of the motorcycle over a long period, clean it regularly. Avoid direct sunshine when cleaning the motorcycle.



- Close off exhaust system to keep water from entering.
- Remove loose dirt first with a soft jet of water.
- Spray the heavily soiled parts with a normal commercial motorcycle cleaner and clean using a brush.

Motorcycle cleaner (🗉 p. 167)



Info

Use warm water containing normal motorcycle cleaner and a soft sponge.

Never apply motorcycle cleaner to a dry vehicle; always rinse the vehicle with water first.

- After rinsing the motorcycle with a gentle spray of water, allow it to dry thoroughly.
- Remove the closure of the exhaust system.



Warning

Danger of accidents Moisture and dirt impair the brake system.

- Brake carefully several times to dry out and remove dirt from the brake linings and the brake discs.

- After cleaning, ride the vehicle a short distance until the engine warms up.



Info

The heat produced causes water at inaccessible locations in the engine and on the brake system to evaporate.

- Push back the protection caps of the handlebar controls to allow any water that has penetrated to evaporate.

- After the motorcycle has cooled down, lubricate all moving parts and pivot points.
- Clean the chain. (📖 p. 86)
- Treat bare metal (except for brake discs and the exhaust system) with a corrosion inhibitor.

Preserving materials for paints, metal and rubber
(📖 p. 167)

- Treat all plastic parts and powder-coated parts with a mild cleaning and care product.

Special cleaner for glossy and matte paint finishes, metal and plastic surfaces (📖 p. 168)



19.1 Storage



Warning

Danger of poisoning Fuel is harmful to health.

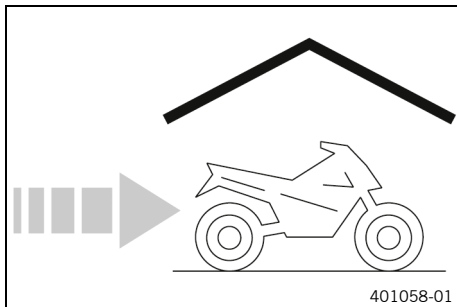
- Avoid skin, eye and clothing contact with fuel.
- Immediately consult a doctor if you swallow fuel.
- Do not inhale fuel vapors.
- Rinse the affected area immediately with plenty of water in the event of contact with the skin.
- Rinse the eyes thoroughly with water, and consult a doctor in case of fuel contact with the eyes.
- Change your clothing if fuel spills on them.
- Keep fuels correctly in a suitable canister, and out of the reach of children.



Info

If you plan to garage the motorcycle for a longer period, perform the following steps or have them performed.

Before storing the motorcycle, check all parts for function and wear. If service, repairs, or replacements are necessary, you should do this during the storage period (less workshop overload). In this way, you can avoid long workshop waiting times at the start of the new season.



- When refueling for the last time before taking the motorcycle out of service, add fuel additive.

Fuel additive (📖 p. 167)

- Refuel. (📖 p. 36)



Tip

Fill the fuel tank completely as specified, using fuel with the lowest possible ethanol content.

- Clean the motorcycle. (📖 p. 142)
- Change the engine oil and the oil filter, clean the oil screens. 🛠️ (📖 p. 137)
- Check the antifreeze and coolant level. (📖 p. 125)
- Check tire pressure. (📖 p. 115)
- Remove the 12-V battery. 🛠️ (📖 p. 117)
- Charge the 12-V battery. 🛠️ (📖 p. 119)

Guideline

Ideal charging and storage temperature of the lithium-ion battery	10 ... 20 °C (50 ... 68 °F)
---	-----------------------------

- Store the vehicle in a dry location that is not subject to large fluctuations in temperature.



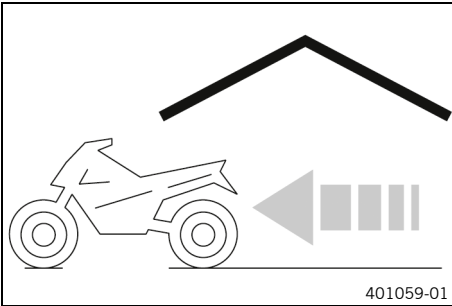
Info

KTM recommends jacking up the motorcycle.

- Raise the motorcycle with a lift stand. (📖 p. 56)
- Cover the vehicle with a tarp or a similar cover that is permeable to air.

**Info**

Do not use non-porous materials since they prevent humidity from escaping, thus causing corrosion. Avoid running the engine for a short time only. Since the engine cannot warm up properly, the water vapor produced during combustion condenses and causes valves and the exhaust system to rust.

**19.2 Preparing for use after storage**

- Install the 12-V battery. (🔧 p. 118)
- Remove the motorcycle from the lift stand. (📖 p. 56)
- Perform checks and maintenance measures when preparing for use. (📖 p. 29)
- Make a test ride.

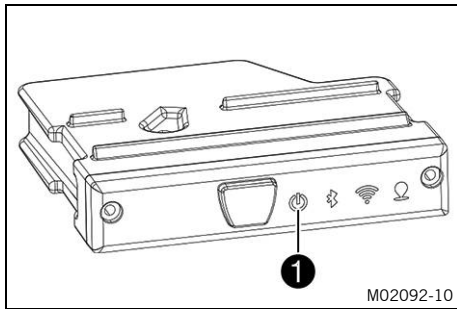


Faults	Possible cause	Action
The engine does not turn over when the start button is actuated	Operating error	– Carry out start procedure. (📖 p. 29)
	12 V battery discharged	– Charge the 12-V battery. 🛠️ (📖 p. 119) – Check the charging voltage. 🛠️ – Check the open-circuit current. 🛠️ – Check the stator winding of the alternator. 🛠️
	Plug-in connector of the start button disconnected or oxidized	– Check the plug-in connector of the start button.
	Cable connection on starter motor disconnected, loose or oxidized	– Check the cable connection on the starter motor.
	Main fuse blown	– Change the main fuse. (📖 p. 120)
	Starter relay defective	– Check the starter relay. 🛠️
	Starter motor defective	– Check the starter motor. 🛠️
The engine turns over but does not start	Quick release coupling not joined	– Join quick release coupling.
	Lack of fuel	– Refuel. (📖 p. 36)
	Fuel screen in the quick release coupling is clogged	– Change the fuel screen. 🛠️ (📖 p. 136)
	Idle speed is not set correctly	– Adjust the idle speed. 🛠️ (📖 p. 133)
	Spark plug sooty or wet	– Clean and dry the spark plug and spark plug connector, or change if necessary.
	Crankshaft speed sensor disconnected	– Check plug-in connector of the crankshaft speed sensor.
	Ground connection of the ignition coil loose or oxidized	– Check the ground connection of the ignition coil.
	Plug gap of spark plug too wide	– Adjust plug gap. Guideline Spark plug electrode gap 1.0 mm (0.039 in)
	Short-circuit cable in wiring harness frayed, stop button faulty	– Check the wiring harness. (visual check) – Check the electrical system.
Malfunction in the electronic fuel injection	– Read out the fault memory using the KTM diagnostics tool. 🛠️	
Engine does not speed up	Malfunction in the electronic fuel injection	– Read out the fault memory using the KTM diagnostics tool. 🛠️
Engine has too little power	Air filter is very dirty	– Clean the air filter and air filter box. 🛠️ (📖 p. 79)
	Fuel filter is very dirty	– Change the fuel filter. 🛠️
	Malfunction in the electronic fuel injection	– Read out the fault memory using the KTM diagnostics tool. 🛠️
	Exhaust system leaky, deformed or too little glass fiber yarn filling in main silencer	– Check exhaust system for damage. – Change the glass fiber yarn filling of the main silencer. 🛠️ (📖 p. 82)
	Valve clearance too little	– Adjust the valve clearance. 🛠️
The engine dies during the trip	Lack of fuel	– Refuel. (📖 p. 36)
	Faulty contacts in ignition coil or stator	– Check ignition coil and stator cables.

Faults	Possible cause	Action
Engine overheats	Too little coolant in cooling system	<ul style="list-style-type: none"> – Check the cooling system for leakage. – Check the coolant level. (📖 p. 126)
	Too little air stream	<ul style="list-style-type: none"> – Switch off the engine when standing.
	Radiator fins very dirty	<ul style="list-style-type: none"> – Clean radiator fins.
	Foam formation in cooling system	<ul style="list-style-type: none"> – Drain the coolant. 🛠️ (📖 p. 126) – Refill with coolant. 🛠️ (📖 p. 127)
	Bent radiator hose	<ul style="list-style-type: none"> – Change the radiator hose. 🛠️
Malfunction indicator lamp lights up or flashes	Malfunction in the electronic fuel injection	<ul style="list-style-type: none"> – Use blink codes for troubleshooting. – Check the wiring for damage and the electrical plug-in connections for corrosion and damage. – Read out the fault memory using the KTM diagnostics tool. 🛠️
High oil consumption	Engine vent hose bent	<ul style="list-style-type: none"> – Route the vent hose without bends or change it if necessary.
	Engine oil level too high	<ul style="list-style-type: none"> – Check the engine oil level. (📖 p. 137)
	Engine oil too thin (low viscosity)	<ul style="list-style-type: none"> – Change the engine oil and the oil filter, clean the oil screens. 🛠️ (📖 p. 137)
	Piston or cylinder worn	<ul style="list-style-type: none"> – Measure the piston/cylinder mounting clearance.
	Engine case is leaking	<ul style="list-style-type: none"> – Check the engine case for loss of oil.
12 V battery discharged	12 V battery is not charging	<ul style="list-style-type: none"> – Check the charging voltage. 🛠️ – Check the stator winding of the alternator. 🛠️
	Unwanted electrical power consumer	<ul style="list-style-type: none"> – Check the open-circuit current. 🛠️

Error level condition	Combination switch, left side – buttons pressed longer than 20 seconds
Blink code for malfunction indicator lamp	Fi Malfunction indicator lamp flashes continuously
Error level condition	THREF – internal malfunction of the engine control unit
Blink code for malfunction indicator lamp	Fi 02 Malfunction indicator lamp flashes 2x short
Error level condition	Crankshaft speed sensor – circuit fault
Blink code for malfunction indicator lamp	Fi 06 Malfunction indicator lamp flashes 6x short
Error level condition	Throttle valve position sensor circuit A – input signal too low Throttle valve position sensor circuit A – input signal too high
Blink code for malfunction indicator lamp	Fi 09 Malfunction indicator lamp flashes 9x short
Error level condition	Induction manifold pressure sensor – input signal too high Induction manifold pressure sensor – input signal too low
Blink code for malfunction indicator lamp	Fi 12 Malfunction indicator lamp flashes 1x long, 2x short
Error level condition	Coolant temperature sensor – input signal too high Coolant temperature sensor – input signal too low
Blink code for malfunction indicator lamp	Fi 13 Malfunction indicator lamp flashes 1x long, 3x short
Error level condition	Intake air temperature sensor – input signal too high Intake air temperature sensor – input signal too low
Blink code for malfunction indicator lamp	Fi 15 Malfunction indicator lamp flashes 1x long, 5x short
Error level condition	Tilt sensor – input signal too low Tilt sensor – open / input signal too high
Blink code for malfunction indicator lamp	Fi 21 Malfunction indicator lamp flashes 2x long, 1x short
Error level condition	Battery voltage – input voltage too high
Blink code for malfunction indicator lamp	Fi 22 Malfunction indicator lamp flashes 2x long, 2x short
Error level condition	Gear position sensor – input signal too low Gear position sensor – input signal too high Gear position sensor – malfunction

Blink code for malfunction indicator lamp	Fi 33 Malfunction indicator lamp flashes 3x long, 3x short
Error level condition	Injection valve cylinder 1 – circuit fault
Blink code for malfunction indicator lamp	Fi 37 Malfunction indicator lamp flashes 3x long, 7x short
Error level condition	Ignition coil – circuit fault
Blink code for malfunction indicator lamp	Fi 41 Malfunction indicator lamp flashes 4x long, 1x short
Error level condition	Fuel pump controller – short circuit to ground/open circuit
	Fuel pump controller - short circuit to plus
Blink code for malfunction indicator lamp	Fi 65 Malfunction indicator lamp flashes 6x long, 5x short
Error level condition	EEPROM – malfunction
Blink code for malfunction indicator lamp	Fi 91 Malfunction indicator lamp flashes 9x long, 1x short
Error level condition	CAN bus communication – faulty



Malfunctions are indicated by indicator lamp **1** flashing red.

i Info

The individual flashes are 0.5 seconds long (0.25 seconds on, 0.25 seconds off).

The pause until the blink code repeats is 2 seconds.

Faults	Possible cause	Action
Blink code 2	No CAN communication	– Check connections on the Connectivity Unit Offroad.
Blink code 3	WiFi connection failed	– Repeat connection attempt.
Blink code 4	Bluetooth® connection failed	– Repeat connection attempt.
Blink code 5	Malfunction in the analog sensor	– Check connections on the Connectivity Unit Offroad.
Blink code 6	Stored VIN differs from the vehicle	– Press and hold button 3 (<7 s). (Figure M02091-10 p. 123)
Blink code 7	Recording memory full	– Delete recordings.
Continuously lights up red	Several malfunctions are present	– Press and hold button 3 (<7 s). (Figure M02091-10 p. 123)

23.1 Engine

Design	1-cylinder 4-stroke engine, water-cooled
Displacement	449.9 cm ³ (27.455 cu in)
Stroke	63.4 mm (2.496 in)
Bore	95 mm (3.74 in)
Idle speed	2,200 ... 2,300 rpm
Compression ratio	13.6:1
Control	OHC, 4 valves controlled via rocker arm
Valve diameter, intake	40 mm (1.57 in)
Valve diameter, exhaust	33 mm (1.3 in)
Valve clearance	
Intake at: 20 °C (68 °F)	0.10 ... 0.15 mm (0.0039 ... 0.0059 in)
Exhaust at: 20 °C (68 °F)	0.12 ... 0.17 mm (0.0047 ... 0.0067 in)
Crankshaft bearing	2 cylinder roller bearing
Conrod bearing	Slide bearing
Piston pin bearing	Bearing bush
Pistons	Forged light alloy
Piston rings	1 compression ring, 1 oil scraper ring
Engine lubrication	Pressure circulation lubrication with 2 trochoidal pumps
Primary transmission	29:72
Clutch	Multidisc clutch in oil bath, hydraulically activated
Gearbox	5-gear transmission, claw shifted
Transmission ratio	
first-gear	14:28
second-gear	16:26
third-gear	18:24
fourth-gear	21:24
fifth-gear	22:21
Alternator	14 V, 70 W
Ignition	Contactless controlled fully electronic ignition with digital ignition adjustment
Spark plug	NGK LMAR9AI-10
Spark plug electrode gap	1.0 mm (0.039 in)
Cooling	Water cooling, permanent circulation of coolant by water pump
Starting aid	Starter motor

23.2 Engine tightening torques

Oil nozzle for the clutch lubrication (alternator cover sealing surface)	M4	0.8 Nm (0.59 lbf ft)	
Screw, oil nozzle bent for piston cooling	M4	2 Nm (1.5 lbf ft)	Loctite®243™
Crankshaft speed sensor screw and cable retainer	M5	6 Nm (4.4 lbf ft)	Loctite®243™
Oil nozzle for piston cooling	M5	2 Nm (1.5 lbf ft)	Loctite®243™
Oil nozzle for timing chain lubrication	M5	2 Nm (1.5 lbf ft)	Loctite®243™
Screw, bearing retainer	M5	6 Nm (4.4 lbf ft)	Loctite®243™
Screw, clutch adjusting ring	M5x16	6 Nm (4.4 lbf ft)	
Screw, clutch spring retainer	M5	8 Nm (5.9 lbf ft)	
Screw, gear position sensor	M5x14	5 Nm (3.7 lbf ft)	Loctite®243™
Screw, lock washer, oil pump idler gear	M5x10	6 Nm (4.4 lbf ft)	Loctite®243™
Screw, locking lever	M5	6 Nm (4.4 lbf ft)	Loctite®243™
Screw, pressure pump cover	M5x16	6 Nm (4.4 lbf ft)	Loctite®243™
Screw, stator	M5	6 Nm (4.4 lbf ft)	Loctite®2701™
Screw, suction pump cover	M5x16	6 Nm (4.4 lbf ft)	Loctite®243™
Screws, main bearing lock washer, transmission bearings	M5x12	6 Nm (4.4 lbf ft)	
Nut, water pump impeller	M6	6 Nm (4.4 lbf ft)	Loctite®243™
Remaining screws on water pump cover	M6	10 Nm (7.4 lbf ft)	Loctite® 222™
Remaining screws, alternator cover	M6	10 Nm (7.4 lbf ft)	
Remaining screws, clutch cover	M6	10 Nm (7.4 lbf ft)	
Screw, alternator cover	M6x25	10 Nm (7.4 lbf ft)	
Screw, balancer shaft fastening to water pump cover	M6	10 Nm (7.4 lbf ft)	Loctite® 222™
Screw, clutch cover	M6x25	10 Nm (7.4 lbf ft)	
Screw, clutch cover	M6x55	10 Nm (7.4 lbf ft)	
Screw, clutch slave cylinder	M6	10 Nm (7.4 lbf ft)	
Screw, cylinder head	M6x75	10 Nm (7.4 lbf ft)	
Screw, engine case	M6x65	10 Nm (7.4 lbf ft)	
Screw, engine case	M6x80	10 Nm (7.4 lbf ft)	
Screw, exhaust flange	M6x16	10 Nm (7.4 lbf ft)	Loctite®243™
Screw, oil filter cover	M6x16	10 Nm (7.4 lbf ft)	

Screw, shift drum locating unit	M6x30	10 Nm (7.4 lbf ft) Loctite®243™
Screw, shift lever	M6x16	14 Nm (10.3 lbf ft) Loctite®243™
Screw, starter motor	M6x25	10 Nm (7.4 lbf ft)
Screw, tensioning rail	M6	10 Nm (7.4 lbf ft) Loctite®243™
Screw, timing chain clip	M6	10 Nm (7.4 lbf ft) Loctite®243™
Screw, timing chain tensioner	M6	10 Nm (7.4 lbf ft)
Screw, torque governor	M6	10 Nm (7.4 lbf ft) Loctite®243™
Screw, valve cover	M6	10 Nm (7.4 lbf ft)
Screw, water pump cover	M6x20	10 Nm (7.4 lbf ft)
Screw, water pump cover	M6x25	10 Nm (7.4 lbf ft) Loctite®243™
Screws, section of the engine case	M6	10 Nm (7.4 lbf ft)
Plug, oil channel	M7	9 Nm (6.6 lbf ft) Loctite®243™
Screw, camshaft retaining bracket	M7x1	15 Nm (11.1 lbf ft)
Screw, rocker arm bearing	M7x1	15 Nm (11.1 lbf ft)
Crankshaft clamp screw plug	M8	10 Nm (7.4 lbf ft)
Crankshaft locking bolt	M8	10 Nm (7.4 lbf ft)
Plug, timing chain tensioner	M8	8 Nm (5.9 lbf ft)
Plug, oil channel	M10	15 Nm (11.1 lbf ft) Loctite®243™
Screw, engine sprocket	M10	60 Nm (44.3 lbf ft) Loctite®2701™
Screw, rotor	M10x1	70 Nm (51.6 lbf ft)
Spark plug	M10x1	10 ... 12 Nm (7.4 ... 8.9 lbf ft)
Engine coolant temperature sensor	M10x1.25	12 Nm (8.9 lbf ft)
Screw, cylinder head	M10x1.25	1st stage 10 Nm (7.4 lbf ft) 2nd stage 30 Nm (22.1 lbf ft) 3rd stage 50 Nm (36.9 lbf ft) Collar and thread oiled
Oil drain plug with magnet	M12x1.5	20 Nm (14.8 lbf ft)
Screw plug, oil pressure control valve	M12x1.5	20 Nm (14.8 lbf ft)
Screw plug, crankcase	M16x1.5	15 Nm (11.1 lbf ft)
Nut, inner clutch hub	M18x1.5	100 Nm (73.8 lbf ft)
Nut, primary gear wheel	M18LHx1.5	120 Nm (88.5 lbf ft)
Screw plug, oil screen	M20x1.5	15 Nm (11.1 lbf ft)
Screw plug, alternator cover	M24x1.5	18 Nm (13.3 lbf ft)

23.3 Capacities

23.3.1 Engine oil

Engine oil	1.20 l (1.27 qt.)	Engine oil (SAE 10W/50) (📖 p. 165)
------------	-------------------	---------------------------------------

23.3.2 Coolant

Coolant	0.95 l (1 qt.)	Coolant (📖 p. 165)
---------	----------------	--------------------

23.3.3 Fuel

Total fuel tank capacity, approx. (All SX-F models)		
Total fuel tank capacity, approx.	7.2 l (1.9 US gal)	Super unleaded (ROZ 95) (📖 p. 166) (SX-F EU/US)
Total fuel tank capacity, approx.		Super unleaded (RON 95/97) (📖 p. 166) (SX-F BR)
Total fuel tank capacity, approx. (XC-F US)		
Total fuel tank capacity, approx.	8.5 l (2.25 US gal)	Super unleaded (ROZ 95) (📖 p. 166) (XC-F US)
Fuel reserve, approx. (XC-F US)		1.5 l (1.6 qt.)

23.4 Chassis

Frame	Central tube frame made of chrome molybdenum steel tubing
Fork (All SX-F models)	WP XACT AER
Fork (XC-F US)	WP XPLOR CC
Suspension travel	
front	310 mm (12.2 in)
rear	300 mm (11.81 in)
Fork offset	22 mm (0.87 in)
Shock absorber (XC-F US, SX-F EU/BR, FACTORY EDITION)	WP XACT LDS
Shock absorber (SX-F US)	WP XACT 5750
Brake system	Disc brakes, floating brake calipers
Brake discs - diameter	
front	260 mm (10.24 in)
rear	220 mm (8.66 in)
Brake discs - wear limit	
front	2.5 mm (0.098 in)
rear	3.5 mm (0.138 in)
Offroad tire pressure	
front	1.0 bar (15 psi)
rear	1.0 bar (15 psi)
Secondary ratio	13:51
Chain	5/8 x 1/4"
Rear sprockets available	47, 48, 49, 50, 51, 52

Steering head angle	63.9°
Wheelbase	1,493 ± 10 mm (58.78 ± 0.39 in)
Ground clearance, unloaded	343 mm (13.5 in)
Seat height, unloaded	958 mm (37.72 in)
Weight without fuel, approx. (SX-F EU/US, SX-F EU/BR)	102.6 kg (226.2 lb.)
Weight without fuel, approx. (XC-F US)	103.3 kg (227.7 lb.)
Weight without fuel, approx. (FACTORY EDITION)	103.5 kg (228.2 lb.)
Maximum permissible front axle load	145 kg (320 lb.)
Maximum permissible rear axle load	190 kg (419 lb.)
Maximum permissible overall weight	335 kg (739 lb.)

23.5 Electrical system

12 V battery	HJTZ5S-FP-C	Lithium-ion battery Battery voltage: 12 V Nominal capacity: 2.0 Ah Maintenance-free
Fuse	58011109110	10 A
Fuse	58011109105	5 A
Combination instrument lighting and indicator lamps		LED

23.6 Tires

Validity	Front tire	Rear tire
(SX-F EU/US)	80/100 - 21 51M TT Dunlop GEOMAX MX33F	110/90 - 19 62M TT Dunlop GEOMAX MX33
(SX-F BR)	80/100 - 21 51M TT Pirelli Scorpion MX Mid Soft 32	110/90 - 19 63M TT Pirelli Scorpion MX Mid Soft 32
(XC-F US)	80/100 - 21 51M TT Dunlop GEOMAX MX33F	110/100 - 18 64M TT Dunlop GEOMAX AT81
(FACTORY EDITION)	80/100 - 21 51M TT Dunlop GEOMAX MX34F	120/80 - 19 62M TT Dunlop GEOMAX MX34
<p>The tires specified represent one of the possible series production tires. For alternative manufacturers, if any, contact an authorized dealer or qualified tire dealership. If local road approval regulations apply, these and the respective technical specifications must be observed. Additional information is available in the Service section under: KTM.COM</p>		

23.7 Fork

23.7.1 SX-F EU/BR

Fork article number	A460C109X406000
Fork	WP XACT AER
Compression damping	
Comfort	17 clicks
Standard	12 clicks
Sport	7 clicks



Rebound damping		
Comfort		17 clicks
Standard		12 clicks
Sport		7 clicks
Air pressure		10.4 bar (151 psi)
Fork length		950 mm (37.4 in)
Oil capacity external mechanism right	240 ± ¹⁰ / ₅₀ ml (8.11 ± ^{0.34} / _{1.69} fl. oz.)	Fork oil (SAE 4) (48601166S1) (📖 p. 166)
Oil capacity external mechanism left	240 ± ¹⁰ / ₅₀ ml (8.11 ± ^{0.34} / _{1.69} fl. oz.)	Fork oil (SAE 4) (48601166S1) (📖 p. 166)
Oil capacity, right cartridge	380 ml (12.85 fl. oz.)	Fork oil (SAE 4) (48601166S1) (📖 p. 166)
Grease capacity, left cartridge	5 g (0.18 oz)	Special grease (00062010053) (📖 p. 168)

23.7.2 SX-F US





Fork article number	A460C159X406000	
Fork	WP XACT AER	
Compression damping		
Comfort		17 clicks
Standard		12 clicks
Sport		7 clicks
Rebound damping		
Comfort		23 clicks
Standard		18 clicks
Sport		13 clicks
Air pressure		10.7 bar (155 psi)
Fork length		950 mm (37.4 in)
Oil capacity external mechanism right	240 ± ¹⁰ / ₅₀ ml (8.11 ± ^{0.34} / _{1.69} fl. oz.)	Fork oil (SAE 4) (48601166S1) (📖 p. 166)
Oil capacity external mechanism left	240 ± ¹⁰ / ₅₀ ml (8.11 ± ^{0.34} / _{1.69} fl. oz.)	Fork oil (SAE 4) (48601166S1) (📖 p. 166)
Oil capacity, right cartridge	380 ml (12.85 fl. oz.)	Fork oil (SAE 4) (48601166S1) (📖 p. 166)
Grease capacity, left cartridge	5 g (0.18 oz)	Special grease (00062010053) (📖 p. 168)

23.7.3 XC-F US

Fork article number	A590C179X402000	
Fork	WP XPLOR CC	
Compression damping		
Comfort		17 clicks
Standard		12 clicks
Sport		7 clicks
Rebound damping		
Comfort		23 clicks

Standard	18 clicks	
Sport	13 clicks	
Spring length with preload spacer(s)	478 mm (18.82 in)	
Spring rate		
Weight of rider: 65 ... 75 kg (143 ... 165 lb.)	4.6 N/mm (26.3 lb/in)	
Weight of rider: 75 ... 85 kg (165 ... 187 lb.)	4.8 N/mm (27.4 lb/in)	
Weight of rider: 85 ... 95 kg (187 ... 209 lb.)	5.0 N/mm (28.6 lb/in)	
Fork length	940 mm (37.01 in)	
Oil capacity, external mechanism	390 ± 5 ml (13.19 ± 0.17 fl. oz.)	Fork oil (SAE 4) (48601166S1) ( p. 166)
Oil capacity, cartridge	175 ml (5.92 fl. oz.)	Fork oil (SAE 4) (48601166S1) ( p. 166)

23.7.4 FACTORY EDITION

Fork article number	A460C159Y406000	
Fork	WP XACT AER	
Compression damping		
Comfort	17 clicks	
Standard	12 clicks	
Sport	7 clicks	
Rebound damping		
Comfort	23 clicks	
Standard	18 clicks	
Sport	13 clicks	
Air pressure	10.5 bar (152 psi)	
Fork length	950 mm (37.4 in)	
Oil capacity external mechanism right	240 ± $\frac{10}{50}$ ml (8.11 ± $\frac{0.34}{1.69}$ fl. oz.)	Fork oil (SAE 4) (48601166S1) ( p. 166)
Oil capacity external mechanism left	240 ± $\frac{10}{50}$ ml (8.11 ± $\frac{0.34}{1.69}$ fl. oz.)	Fork oil (SAE 4) (48601166S1) ( p. 166)
Oil capacity, right cartridge	380 ml (12.85 fl. oz.)	Fork oil (SAE 4) (48601166S1) ( p. 166)
Grease capacity, left cartridge	5 g (0.18 oz)	Special grease (00062010053) ( p. 168)

23.8 Shock absorber

23.8.1 SX-F EU/BR

Shock absorber article number	A460C409X408000	
Shock absorber	WP XACT LDS	
Lowspeed compression damping		
Comfort	17 clicks	
Standard	15 clicks	
Sport	13 clicks	
Highspeed compression damping		
Comfort	2 turns	

Standard	1.5 turns
Sport	1 turn
Rebound damping	
Comfort	17 clicks
Standard	15 clicks
Sport	13 clicks
Spring preload	8 mm (0.31 in)
Spring rate	
Weight of rider: 65 ... 75 kg (143 ... 165 lb.)	42 N/mm (240 lb/in)
Weight of rider: 75 ... 85 kg (165 ... 187 lb.)	45 N/mm (257 lb/in)
Weight of rider: 85 ... 95 kg (187 ... 209 lb.)	48 N/mm (274 lb/in)
Spring length	240 mm (9.45 in)
Gas pressure	10 bar (145 psi)
Static sag	35 mm (1.38 in)
Riding sag	105 mm (4.13 in)
Fitted length	456.3 mm (17.965 in)
Shock absorber oil	Shock absorber fluid (SAE 2.5) (50180751S1) (📖 p. 166)

23.8.2 SX-F US

Shock absorber article number	A460C459X408000
Shock absorber	WP XACT 5750
Lowspeed compression damping	
Comfort	17 clicks
Standard	15 clicks
Sport	13 clicks
Highspeed compression damping	
Comfort	2 turns
Standard	1.5 turns
Sport	1 turn
Rebound damping	
Comfort	17 clicks
Standard	15 clicks
Sport	13 clicks
Spring preload	8 mm (0.31 in)
Spring rate	
Weight of rider: 65 ... 75 kg (143 ... 165 lb.)	42 N/mm (240 lb/in)
Weight of rider: 75 ... 85 kg (165 ... 187 lb.)	45 N/mm (257 lb/in)
Weight of rider: 85 ... 95 kg (187 ... 209 lb.)	48 N/mm (274 lb/in)
Spring length	240 mm (9.45 in)
Gas pressure	10 bar (145 psi)
Static sag	35 mm (1.38 in)
Riding sag	105 mm (4.13 in)
Fitted length	456.3 mm (17.965 in)

Shock absorber oil	Shock absorber fluid (SAE 2.5) (50180751S1) (📖 p. 166)
--------------------	---

23.8.3 XC-F US

Shock absorber article number	A460C479X408000
Shock absorber	WP XACT LDS
Lowspeed compression damping	
Comfort	17 clicks
Standard	15 clicks
Sport	13 clicks
Highspeed compression damping	
Comfort	2 turns
Standard	1.5 turns
Sport	1 turn
Rebound damping	
Comfort	17 clicks
Standard	15 clicks
Sport	13 clicks
Spring preload	8 mm (0.31 in)
Spring rate	
Weight of rider: 65 ... 75 kg (143 ... 165 lb.)	42 N/mm (240 lb/in)
Weight of rider: 75 ... 85 kg (165 ... 187 lb.)	45 N/mm (257 lb/in)
Weight of rider: 85 ... 95 kg (187 ... 209 lb.)	48 N/mm (274 lb/in)
Spring length	240 mm (9.45 in)
Gas pressure	10 bar (145 psi)
Static sag	35 mm (1.38 in)
Riding sag	105 mm (4.13 in)
Fitted length	456.3 mm (17.965 in)
Shock absorber oil	Shock absorber fluid (SAE 2.5) (50180751S1) (📖 p. 166)

23.8.4 FACTORY EDITION

Shock absorber article number	A460C459Y408000
Shock absorber	WP XACT LDS
Lowspeed compression damping	
Comfort	17 clicks
Standard	15 clicks
Sport	13 clicks
Highspeed compression damping	
Comfort	2 turns
Standard	1.5 turns
Sport	1 turn
Rebound damping	
Comfort	17 clicks
Standard	15 clicks

Sport	13 clicks
Spring preload	8 mm (0.31 in)
Spring rate	
Weight of rider: 65 ... 75 kg (143 ... 165 lb.)	42 N/mm (240 lb/in)
Weight of rider: 75 ... 85 kg (165 ... 187 lb.)	45 N/mm (257 lb/in)
Weight of rider: 85 ... 95 kg (187 ... 209 lb.)	48 N/mm (274 lb/in)
Spring length	240 mm (9.45 in)
Gas pressure	10 bar (145 psi)
Static sag	35 mm (1.38 in)
Riding sag	105 mm (4.13 in)
Fitted length	456.3 mm (17.965 in)
Shock absorber oil	Shock absorber fluid (SAE 2.5) (50180751S1) (📖 p. 166)

23.9 Chassis tightening torques

Screw, air filter box cover	EJOT PT® K60x20-Z	3 Nm (2.2 lbf ft)
Screw, air filter box, on subframe	EJOT PT® K60x20AL	5 Nm (3.7 lbf ft)
Screw, combination switch	EJOT PT® K50x18 T20	2 Nm (1.5 lbf ft)
Screw, fuel pump on fuel tank	EJOT PT® K60x30-Z	2.5 Nm (1.84 lbf ft)
Screw, intake air temperature sensor	EJOT PT® K50x18 T20	0.7 Nm (0.52 lbf ft)
Screw, radiator hoses clip		2.4 Nm (1.77 lbf ft)
Screw, seat fixing	EJOT EJOFORM PT® K60x23/18	2.5 Nm (1.84 lbf ft)
Screw, start/stop button	EJOT PT® K50x18 T20	2 Nm (1.5 lbf ft)
Screw, fixed grip	M4	5 Nm (3.7 lbf ft)
Screw, throttle valve body hose clamp	M4	5 Nm (3.7 lbf ft)
Spoke nipple, front wheel	M4.5	6 Nm (4.4 lbf ft)
Spoke nipple, rear wheel	M4.5	6 Nm (4.4 lbf ft)
Remaining nuts, chassis	M5	5 Nm (3.7 lbf ft)
Remaining screws, chassis	M5	5 Nm (3.7 lbf ft)
Screw, battery terminal	M5	2.5 Nm (1.84 lbf ft)
Screw, frame protector	M5	3 Nm (2.2 lbf ft)
Screw, shock absorber adjusting ring	M5	5 Nm (3.7 lbf ft)
Screw, throttle valve body cover	M5	2.6 Nm (1.92 lbf ft)
Screws on main silencer	M5	7 Nm (5.2 lbf ft)
Nut, starter cable on starter motor	M6	4 Nm (3 lbf ft)
Nut, throttle cable on throttle valve body	M6	3 Nm (2.2 lbf ft)
Remaining nuts, chassis	M6	10 Nm (7.4 lbf ft)
Remaining screws, chassis	M6	10 Nm (7.4 lbf ft)
Screw, battery holding bracket	M6	6 Nm (4.4 lbf ft)
Screw, brake line guide on link fork	M6	4.5 Nm (3.32 lbf ft)

Screw, chain guide on link fork at the front	M6x45	10 Nm (7.4 lbf ft)
Screw, chain guide on link fork at the rear	M6x16	10 Nm (7.4 lbf ft)
Screw, chain sliding guard on link fork	M6	6 Nm (4.4 lbf ft)
Screw, connector board with combination instrument	M6	5 Nm (3.7 lbf ft)
Screw, fender	M6	12 Nm (8.9 lbf ft)
Screw, front brake disc	M6	14 Nm (10.3 lbf ft) Loctite®243™
Screw, fuel tank spoiler on radiator	M6	6 Nm (4.4 lbf ft)
Screw, ground wire on frame	M6	10 Nm (7.4 lbf ft)
Screw, hand lever	M6	5 Nm (3.7 lbf ft)
Screw, push rod ball joint on the rear brake cylinder	M6	10 Nm (7.4 lbf ft) Loctite®243™
Screw, rear brake disc	M6	14 Nm (10.3 lbf ft) Loctite®243™
Screw, seat fixing	M6	8 Nm (5.9 lbf ft)
Screw, starter cable to starter relay	M6	6 Nm (4.4 lbf ft)
Screw, throttle grip	M6	5 Nm (3.7 lbf ft)
Brake lever stop nut	M8	20 Nm (14.8 lbf ft)
Nut, rear sprocket screw	M8	35 Nm (25.8 lbf ft) Loctite®2701™
Nut, rim lock	M8	12 Nm (8.9 lbf ft)
Remaining nuts, chassis	M8	25 Nm (18.4 lbf ft)
Remaining screws, chassis	M8	25 Nm (18.4 lbf ft)
Screw, bottom triple clamp	M8	12 Nm (8.9 lbf ft)
Screw, chain sliding piece	M8	15 Nm (11.1 lbf ft)
Screw, engine sprocket cover	M8	15 Nm (11.1 lbf ft)
Screw, fork stub	M8	15 Nm (11.1 lbf ft)
Screw, front brake caliper	M8	25 Nm (18.4 lbf ft) Loctite®243™
Screw, handlebar clamp	M8	20 Nm (14.8 lbf ft)
Screw, manifold on cylinder head brace	M8	15 Nm (11.1 lbf ft)
Screw, side stand attachment (XC-F US)	M8	33 Nm (24.3 lbf ft) Loctite®2701™
Screw, subframe bottom	M8	30 Nm (22.1 lbf ft) Loctite®2701™
Screw, subframe top	M8	35 Nm (25.8 lbf ft) Loctite®2701™
Screw, top steering stem	M8	20 Nm (14.8 lbf ft) Loctite®243™
Screw, top triple clamp	M8	17 Nm (12.5 lbf ft)
Engine carrying screw	M10	60 Nm (44.3 lbf ft)
Remaining nuts, chassis	M10	45 Nm (33.2 lbf ft)
Remaining screws, chassis	M10	45 Nm (33.2 lbf ft)

23 TECHNICAL SPECIFICATIONS

Screw, bottom shock absorber	M10	60 Nm (44.3 lbf ft) Loctite®2701™
Screw, handlebar support	M10	40 Nm (29.5 lbf ft) Loctite®243™
Screw, top shock absorber	M10	60 Nm (44.3 lbf ft) Loctite®2701™
Nut, angle lever to link fork	M16x1.5	60 Nm (44.3 lbf ft)
Nut, fork pivot	M16x1.5	100 Nm (73.8 lbf ft)
Nut, frame on linkage lever	M16x1.5	60 Nm (44.3 lbf ft)
Nut, linkage lever on angle lever	M16x1.5	60 Nm (44.3 lbf ft)
Screw, front wheel spindle	M20x1.5	35 Nm (25.8 lbf ft)
Screw, top steering head	M20x1.5	12 Nm (8.9 lbf ft)
Nut, rear wheel spindle	M22x1.5	80 Nm (59 lbf ft)
Screw-in fitting, cooling system	M24x1.5	7.5 Nm (5.53 lbf ft)

24.1 Country-specific declarations of conformity - Connectivity Unit Offroad



W00603-10

25.1 FCC statements - Connectivity Unit Offroad

Declaration regarding modifications

Alterations and modifications not expressly approved by the relevant authority may result in the user being prohibited from operating the equipment.

Declaration regarding interference

This device complies with article 15 of the FCC regulations.

Operation is subject to the following two conditions:

- 1 This device must not cause interference.
- 2 This device must be able to absorb any interference, including interference that potentially causes undesirable operation of the device.

Brake fluid DOT 4 / DOT 5.1**Standard/classification**

- DOT

Guideline

- Use only brake fluid that complies with the specified standard (see specifications on the container) and that exhibits the corresponding properties.

Recommended supplier**Castrol**

- REACT PERFORMANCE DOT 4

MOTOREX®

- Brake Fluid DOT 5.1

Coolant**Guideline**

- Only use high-grade, silicate-free coolant with corrosion inhibitor additive for aluminum motors. Low grade and unsuitable antifreeze causes corrosion, deposits and frothing.
- Do not use pure water as only coolant is able to meet the requirements needed in terms of corrosion protection and lubrication properties.
- Only use coolant that complies with the requirements stated (see specifications on the container) and that has the relevant properties.

Antifreeze protection to at least	-25 °C (-13 °F)
-----------------------------------	-----------------

The mixture ratio must be adjusted to the necessary antifreeze protection. Use distilled water if the coolant needs to be diluted.

The use of premixed coolant is recommended.

Observe the coolant manufacturer specifications for antifreeze protection, dilution and miscibility (compatibility) with other coolants.

Recommended supplier**MOTOREX®**

- COOLANT M3.0

Engine oil (SAE 10W/50)**Standard/classification**

- JASO T903 MA2 (📖 p. 169)
- SAE (📖 p. 169) (SAE 10W/50)

Guideline

- Use only engine oils that comply with the specified standards (see specifications on the container) and that possess the corresponding properties.

Fully synthetic engine oil

Recommended supplier**MOTOREX®**

- Cross Power 4T

Fork oil (SAE 4) (48601166S1)

Standard/classification

- SAE (📖 p. 169) (SAE 4)

Guideline

- Use only oils that comply with the specified standards (see specifications on the container) and that exhibit the corresponding properties.

Shock absorber fluid (SAE 2.5) (50180751S1)

Standard/classification

- SAE (📖 p. 169) (SAE 2.5)

Guideline

- Use only oils that comply with the specified standards (see specifications on the container) and that exhibit the corresponding properties.

Super unleaded (ROZ 95)

Standard/classification

- DIN EN 228 (ROZ 95)

Guideline

- Only use super unleaded fuel that matches or is equivalent to the specified standard.
- Fuel with an ethanol content of up to 10% (E10 fuel) is safe to use.



Info

Do **not** use fuel containing methanol (e.g., M15, M85, M100) or more than 10% ethanol (e.g., E15, E25, E85, E100).

Super unleaded (RON 95/97)

Standard/classification

- DIN EN 228 (RON 95/97)

Guideline

- Only use super unleaded fuel that matches or is equivalent to the specified standard.
- Fuel with an ethanol content of up to 10 % (E10 fuel) is safe to use.
- For fuel with more than 10 % ethanol, at least RON 97 must be used.



Info

Do **not** use fuel containing methanol (e.g., M15, M85, M100) or with more than 25 % ethanol (e.g., E85, E100).

Air filter cleaner

Recommended supplier

MOTOREX®

- Racing Bio Dirt Remover

Chain cleaner

Recommended supplier

MOTOREX®

- Chain Clean

Fuel additive

Recommended supplier

MOTOREX®

- Fuel Stabilizer

High viscosity grease

Recommended supplier

SKF®

- LGHB 2

Long-life grease

Recommended supplier

MOTOREX®

- Bike Grease 2000

Motorcycle cleaner

Recommended supplier

MOTOREX®

- Moto Clean

Off-road chain spray

Recommended supplier

MOTOREX®

- Chainlube Offroad

Oil for foam air filter

Recommended supplier

MOTOREX®

- Racing Bio Liquid Power

Preserving materials for paints, metal and rubber

Recommended supplier

MOTOREX®

- Moto Protect

Silicone spray

Recommended supplier

MOTOREX®

- Silicone Spray

Special cleaner for glossy and matte paint finishes, metal and plastic surfaces

Recommended supplier

MOTOREX®

- Quick Cleaner

Special grease (00062010053)

Recommended supplier

Klüber Lubrication®

- Klüberfood NH1 34-401

Universal oil spray

Recommended supplier

MOTOREX®

- Joker 440 Synthetic

JASO T903 MA2

Different technical development directions required a separate specification for motorcycles – the **JASO T903 MA2** standard.

Earlier, engine oils from the automobile industry were used for motorcycles because there was no separate motorcycle specification.

Whereas long service intervals are demanded for automobile engines, the focus for motorcycle engines is on high performance at high engine speeds.

In most motorcycle engines, the transmission and clutch are lubricated with the same oil.

The **JASO T903 MA2** standard meets these special requirements.

SAE



The SAE viscosity classes were defined by the Society of Automotive Engineers and are used for classifying oils according to their viscosity. The viscosity describes only one property of oil and says nothing about quality.

-	Launch control	Vehicles electronics functions for achieving the best possible acceleration from a standing position
OBD	On-board diagnosis	Vehicle system, which monitors the specified parameters of the vehicle electronics
-	Quickshifter	Function of the engine electronics for shifting up without clutch actuation
TC	Traction Control	Auxiliary function of the motor control that reduces engine torque with spinning rear wheel

Art. no.	Article number
ca.	circa
cf.	compare
e.g.	for example
etc.	et cetera
i.a.	inter alia
no fig.	no figure
no.	number
poss.	possibly
s.	see



31.1 Yellow and orange symbols

Yellow and orange symbols indicate an error condition that requires prompt intervention. Active driving aids are also represented by yellow or orange symbols.

	Malfunction indicator lamp lights up/flashes orange – The OBD has detected a malfunction in the vehicle electronics. The malfunction indicator lamp also lights up if traction control is activated and the speed limiter intervenes.
	TC indicator lamp lights up orange – TC is enabled or is currently intervening. The TC indicator lamp flashes if launch control is activated.


31.2 Green and blue symbols

Green and blue symbols reflect information.

	QS indicator lamp lights up blue – The quickshifter is activated. The QS indicator lamp flashes when the quickshifter is being programmed.
	Indicator lamp B lights up green – ADVANCED mapping is activated.

31.3 White symbols

White symbols convey information.

	Indicator lamp A lights up white – STANDARD mapping is activated.
---	--



DECLARATION OF CONFORMITY

Kind of equipment: Connectivity Unit for KTM vehicles
Type-designation: Connectivity Unit Offroad
Type number: A46014086010
A46014087020

**Manufacturer or
Authorised representative:** KTM AG
Address: Stallhofnerstrasse 3
5230 Mattighofen, Austria

This declaration of conformity is issued under the sole responsibility of the manufacturer.

The object of the declaration described above is in conformity with the relevant statutory requirements:

- **Directive 2014/53/EU**

The product is in conformity with the following standards:

- *Health and safety (Article 3. (1)(a)):*

EN 62368-1:2014 / A11:2017
EN 62311:2009-09

- *Radio (Article 3. (2)):*

EN 300 328 V2.2.2:2019
EN 303 413 V1.2.1:2021

- *EMC (Article 3. (1)(b)):*

EN 301 489-1 V2.2.3:2019
EN 301 489-17 V3.2.4:2020
EN 301 489-19 V2.2.1:2022
EN 55032:2015/A11:2020
ECE R10.06

Signed for and on behalf of: KTM AG

Mattighofen, Austria
15.03.2023

place and date of issue

DocuSigned by:

2114E1C78AF442F...

Viktor Sigl
CFO
KTM AG

DocuSigned by:

F9A4FB06108140A...

Philipp Habsburg
CTO
KTM AG



UK DECLARATION OF CONFORMITY

Kind of equipment: Connectivity Unit for KTM vehicles
Type-designation: Connectivity Unit Offroad
Type number: A46014086010
A46014087020

Manufacturer or
Authorised representative: KTM AG
Address: Stallhofnerstrasse 3
5230 Mattighofen, Austria

This declaration of conformity is issued under the sole responsibility of the manufacturer.

The object of the declaration described above is in conformity with the relevant statutory requirements:

- **Radio Equipment Regulations 2017 (S.I. 2017/1206)**

The product is in conformity with the following standards:

- *Health and safety (Regulation 6.(1)(a)):* - *EMC (Regulation 6.(1)(b)):*

EN 62368-1:2014 / A11:2017
EN 62311:2009-09

EN 301 489-1 V2.2.3:2019
EN 301 489-17 V3.2.4:2020
EN 301 489-19 V2.2.1:2022
EN 55032:2015/A11:2020
ECE R10.06

- *Radio (Regulation 6. (2)):*

EN 300 328 V2.2.2:2019-07
EN 303 413 V1.2.1:2021/04

Signed for and on behalf of: KTM AG

Mattighofen, Austria
15.03.2023

place and date of issue

DocuSigned by:

2114E1C78AF442F...

Viktor Sigl
CFO
KTM AG

DocuSigned by:

F9A4EB06188149A

Philipp Habsburg
CTO
KTM AG

1

12-V battery
 charging 119
 installing 118
 removing 117
 starting power 25

A

Air filter
 cleaning 79
 installing 80
 removing 78

Air filter box
 cleaning 79

Air filter box cover
 installing 77
 preparing for securing 80
 removing 76

Air suspension XACT 40

Antifreeze
 checking 125

Auxiliary substances 10

B

Basic chassis setting
 checking with rider's weight 40

Blink code 148-149

Brake discs
 checking 96

Brake fluid
 front brake, adding 98
 rear brake, adding 105

Brake fluid level
 front brake, checking 97
 rear brake, checking 104

Brake lining retainers
 of front brake, checking 99
 of rear brake, checking 106

Brake linings
 of front brake, changing 100
 of front brake, checking 99
 of rear brake, checking 106
 of the rear brake, changing 107

C

Capacity
 coolant 127-128, 154
 engine oil 140, 154
 fuel 36-37, 154

Chain
 checking 89
 cleaning 86

Chain guide
 checking 89

Chain tension
 adjusting 88
 checking 87

Characteristic map of the throttle response
 adjusting 131

Clutch
 fluid level, checking/correcting 93
 fluid, changing 94

Clutch lever 15
 basic position, adjusting 93

Cold start button 21

Combination instrument 18

Compression damping
 adjusting the fork 49

Connectivity Unit 123

Coolant
 antifreeze and coolant level, checking 125
 checking the level 126
 draining 126
 refilling 127

Cooling system 125

Customer service 10

D

Declarations of conformity CUO 163

Diagnostics connector 122

Difficult operating conditions 26
 dry sand 26
 low temperature 28
 muddy surfaces 27
 snow 28
 wet sand 27
 wet surfaces 27

Difficult riding conditions
 high temperatures 28
 slow speed 28

E

Engine
 running in 25

Engine guard
 installing 60
 removing 60

Engine number 13

Engine oil		
adding	140	
changing	137	
Engine oil level		
checking	137	
Engine sprocket		
checking	89	
Environment	9	
F		
Factory Start	23	
activating	31	
FCC statements CUO	164	
Figures	10	
Foot brake lever	22	
basic position, adjusting	104	
free travel, checking	103	
Fork article number	13	
Fork legs		
adjusting the rebound damping	50	
air pressure, adjusting	48	
bleeding	57	
checking basic setting	48	
compression damping, adjusting	49	
dust boots, cleaning	57	
installation	62	
removal	61	
Fork protector		
installing	59	
removing	58	
Frame		
checking	91	
Frame protector		
installing	61	
removing	61	
Front fender		
installation	72	
removal	71	
Front wheel		
installing	111	
removing	109	
Fuel screen		
changing	136	
Fuel tank		
installing	85	
removing	83	
Fuel tank filler cap		
closing	20	
opening	19	
Fuel, oils, etc.	10	
Fuse		
main fuse, changing	120	
of the fuel pump, changing	121	
H		
Hand brake lever	15	
basic position, adjusting	96	
free travel, checking	96	
Handlebar position	52	
adjusting	52	
High-speed compression damping		
adjusting the shock absorber	42	
I		
Idle speed		
adjusting	133	
Idle speed adjusting screw	21	
Implied warranty	10	
Indicator lamps		
overview	18	
Intended use	7	
L		
Launch control		
activating	30	
Link fork		
checking	91	
Lithium-ion battery		
starting power	25	
Lower triple clamp		
installing	65	
removing	63	
Low-speed compression damping		
adjusting the shock absorber	41	
M		
Main fuse		
changing	120	
Main silencer		
glass fiber yarn filling, changing	82	
installing	81	
removing	81	
Manufacturer warranty	10	
Mapping		
changing	133	
Misuse	7	
Motorcycle		
cleaning	142	
from lift stand, removing	56	
lift stand, raising with	56	

O	
Oil filter	
changing	137
Oil screens	
cleaning	137
Overview of indicator lights	18
Owner's Manual	9
P	
Play in throttle cable	
adjusting	130
checking	130
Plug-in stand	22
Preparing for use	
advice on preparing for first use	24
after storage	145
checks and maintenance measures when preparing for use	29
Protective clothing	8
Q	
Quickshifter	32
activating	32
programming	93
R	
Rear sprocket	
checking	89
Rear wheel	
installing	113
removing	112
Rebound damping	
adjusting the fork	50
adjusting the shock absorber	43
Refueling	
fuel	36
Rider sag	
setting	46
Rubber grips	
checking	92
S	
Safe operation	8
Seat	
mounting	76
removing	75
Service	10
Service schedule	38-39
Shift lever	22
basic position, adjusting	135
basic position, checking	135
Shock absorber	
adjusting the high-speed compression damping	42
adjusting the low-speed compression damping	41
adjusting the rebound damping	43
adjusting the spring preload	45
checking riding sag	45
checking static sag	44
compression damping, general	41
installing	74
removing	73
Shock absorber article number	14
Side stand	23
Spare parts	10
Spoke tension	
checking	115
Start button	17
Start number plate	
installing	71
removing	71
Starting	29
Starting power	
lithium-ion batteries at low temperatures	25
Steering head bearing	
lubricating	71
Steering head bearing play	
adjusting	69
checking	69
Steering head label	13
Stop button	16
Storage	144
T	
Technical accessories	10
Technical specifications	
capacities	154
chassis	154
chassis tightening torques	160
electrical system	155
engine	151
engine tightening torques	152
fork	155
shock absorber	157
tires	155
Throttle cable routing	
checking	91
Throttle grip	16
Throttle valve position	
programming	134
Tire condition	
checking	114

Tire pressure	
checking	115
Traction control	
activating	31
Transporting	35
Troubleshooting	146-147
Troubleshooting CUO	150
U	
Use definition	7
V	
Vehicle identification number	13
View of vehicle	
front left	11
rear right	12
W	
Work rules	9



3214836en

08.01.2024

