

**125 DUKE**

ART. NO. 3214989EN





Perform the work described in these setup instructions before the vehicle is delivered to the customer.

Read the setup instructions in their entirety before beginning work.

All specifications contained herein are non-binding. KTM Sportmotorcycle GmbH specifically reserves the right to modify or delete technical specifications, prices, colors, forms, materials, services, designs, equipment, etc., without prior notice and without specifying reasons, to adapt these to local conditions, as well as to stop production of a particular model without prior notice. KTM accepts no liability for delivery options, deviations from figures and descriptions, misprints, and other errors. The models portrayed partly contain special equipment that does not belong to the regular scope of supply.

These setup instructions were written to correspond to the latest state of this model series. We reserve the right to make modifications in the interest of technical advancement without at the same time updating these setup instructions.

We shall not provide a description of general workshop methods. Likewise, safety rules that apply in a workshop are not specified here. It is assumed that the work will be performed by a fully trained mechanic.

© 2023 KTM Sportmotorcycle GmbH, Mattighofen Austria

All rights reserved

Reproduction, even in part, as well as copying of all kinds, is permitted only with the express written permission of the copyright owner.



ISO 9001(12 100 6061)

KTM applies quality assurance processes that lead to the highest possible product quality as defined in the ISO 9001 international quality management standard.

Issued by: TÜV Management Service

REG.NO. 12 100 6061

KTM Sportmotorcycle GmbH  
Stallhofnerstraße 3  
5230 Mattighofen, Austria

This document is valid for the following models:

125 DUKE EU (F4003X1, F4003X2)

125 DUKE B.D. EU (F4003X3, F4003X4)

125 DUKE JP (F4086X3, F4086X4)

125 DUKE UK (F4022X3, F4022X4)



3214989en

02.11.2023

# 1 MEANS OF REPRESENTATION

## 1.1 Symbols used

The meaning of specific symbols is described below.



Indicates an expected reaction (e.g. of a work step or a function).



Indicates an unexpected reaction (e.g. of a work step or a function).



Indicates a page reference (more information is provided on the specified page).



Indicates information with more details or tips.



Indicates the result of a testing step.



Indicates a voltage measurement.



Indicates a current measurement.



Indicates a resistance measurement.



Indicates the end of an activity including potential rework.

## 1.2 Formats used

The typographical formats used in this document are explained below.

**Proprietary name**

Indicates a proprietary name.

**Name®**

Indicates a protected name.

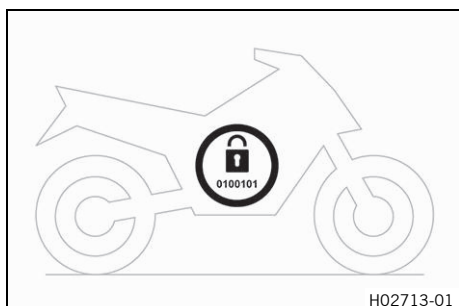
**Brand™**

Indicates a brand available on the open market.

**Underlined terms**

Refer to technical details of the vehicle or indicate technical terms, which are explained in the glossary.

## 2.1 Transport mode



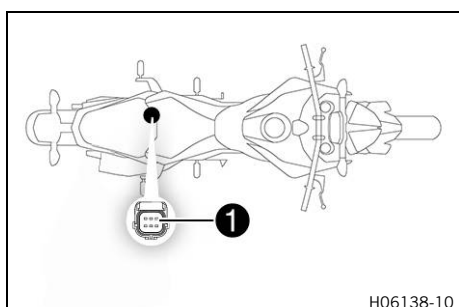
This vehicle was blocked for transport in the software. To operate the vehicle, the vehicle electronics must be enabled. This process is conducted during initial setup in KTM Dealer.net. Enabling ensures that the initial setup in KTM Dealer.net is documented.

Enabling can be performed either temporarily, e.g. for a test ride, or permanently for vehicle handover.

### **i** Info

Make sure that the vehicle is permanently enabled before handing it over to the customer.

## 2.2 Diagnostics connector



Diagnostics connector **1** is located under the passenger seat.

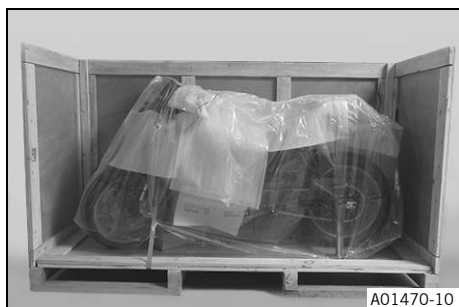
## 2.3 Unpacking and setting up the vehicle

### Preliminary work

- Remove the box.

### Main work

- Remove the straps, lid and pallet wall.
- Remove the adhesive tape in the upper area of the motorcycle.



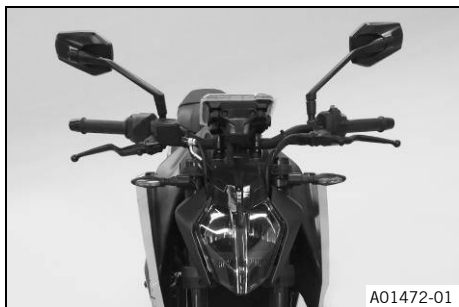
- Roll down the film at the sides.

### **i** Info

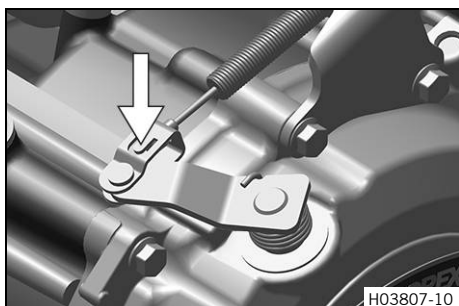
To avoid damaging the motorcycle during unpacking, leave the other films on the vehicle until you have finished work on the vehicle.

- Remove the separate enclosure and unpack it. Check the separate enclosure for completeness.
- Check the vehicle for transport damage.





- Position all controls in their exact positions on the handlebar. Tighten all screws.



- Make sure that the clutch cable is attached to the clutch release lever and secured.
- Check the clutch lever play. (📖 p. 6)
- Mount and tighten the rear mirror on both sides.
- Carefully loosen and remove the tension belt over the link fork.



### Info

An assistant prevents the motorcycle from falling over.

- Carefully loosen and remove the tension belts around the lower triple clamp.
- ✓ The vehicle is released at the front.
- Together with an assistant, take the vehicle off the pallet.
- Remove the passenger seat. (📖 p. 7)
- Remove the front rider's seat. (📖 p. 7)
- Remove the tool set from the separate enclosure and position it next to the battery compartment.
- Remove spare key and **KEYCODECARD** from under the seat and keep in a safe place for the handover.



### Warning

**Risk of injury** Battery acid and battery gases cause serious chemical burns.

- Keep 12 V batteries out of the reach of children.
- Wear suitable protective clothing and safety glasses.
- Avoid contact with battery acid and battery gases.
- Keep sparks or open flames away from the 12 V battery.
- Only charge 12 V batteries in well-ventilated rooms.
- Rinse the affected area immediately with plenty of water in the event of contact with the skin.
- Rinse eyes with water for at least 15 minutes and consult a doctor immediately if battery acid and battery gases get into the eyes.

- Fill the 12 V battery.



### Info

Read the notes in the 12 V battery accessory pack.

- Charge the 12-V battery. (📖 p. 8)
- Install the 12-V battery. (📖 p. 10)

- Remove the remaining film, padding, the corrugated cardboard, and the other packaging material.
- Mount the front rider's seat. (📖 p. 7)
- Mount the passenger seat. (📖 p. 7)
- Refuel. (📖 p. 13)
- Check the headlight setting. (📖 p. 14)
- Prepare the vehicle according to the specifications in the **KTM Dealer.net** for handover to the customer.

**Info**

Transport mode must be deactivated to be able to start the motorcycle.

---

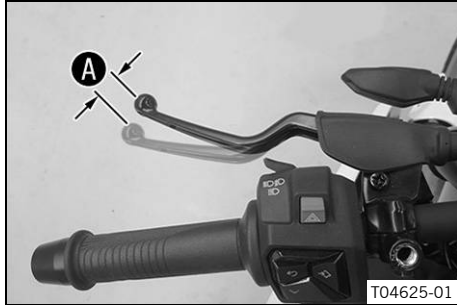


## 3.1 Checking the clutch lever play

### Note

**Clutch damage** If there is no free travel by the clutch lever, the clutch will begin to slip.

- Check the free travel of the clutch lever each time before using the motorcycle.
- Adjust the free travel of the clutch lever when necessary in accordance with the specification.



- Check the clutch lever for smooth operation.
- Move the handlebar to the straight-ahead position.
- Pull the clutch lever until resistance is perceptible, and determine the play in the clutch lever **A**.

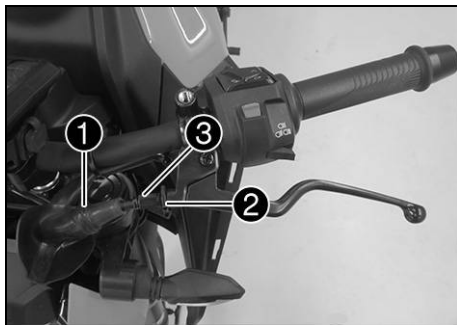
Clutch lever play <b>A</b>	1 ... 3 mm (0.04 ... 0.12 in)
----------------------------	-------------------------------

- » If the clutch lever play does not meet the specified value:
  - Adjust play in the clutch lever. (📖 p. 6)
- Move the handlebar to and fro over the entire steering range.

The clutch lever play must not change.

- » If the clutch lever play changes:
  - Check the routing of the clutch cable.

## 3.2 Adjusting play in the clutch lever

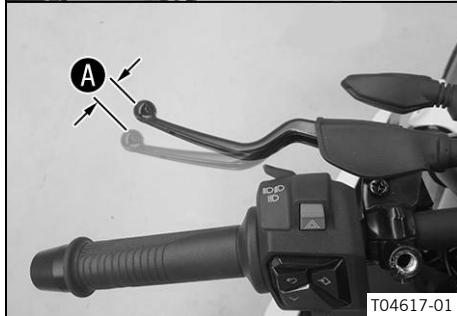


- Move the handlebar to the straight-ahead position.
- Push back sleeve **1**.
- Loosen lock nut **2**.
- Adjust the play in the clutch level **A** by turning adjusting screw **3**.

Guideline

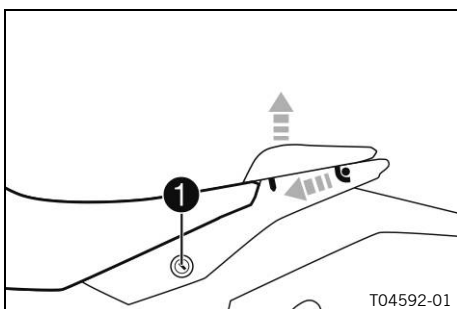
Clutch lever play <b>A</b>	1 ... 3 mm (0.04 ... 0.12 in)
----------------------------	-------------------------------

- Tighten lock nut **2**.
- Position bellows **1**.





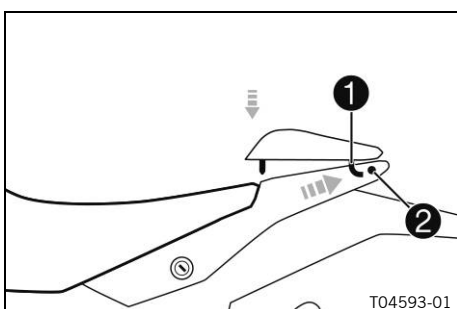
### 3.3 Removing the passenger seat



- Insert the ignition key in seat lock ① and turn it clockwise.
- Lift the front of the seat and push it towards the fuel tank.
- Remove the ignition key from the seat lock.



### 3.4 Mounting the passenger seat



- Attach hooks ① on the passenger seat to hangers ② on the subframe, and push it to the rear.
- Press the passenger seat downward until it clicks into place.



#### Warning

**Danger of accidents** The seat can come loose from the anchoring if it is not mounted correctly.

- After assembly, check whether the seat is correctly locked and cannot be pulled up.

- Finally, check that the passenger seat is correctly mounted.



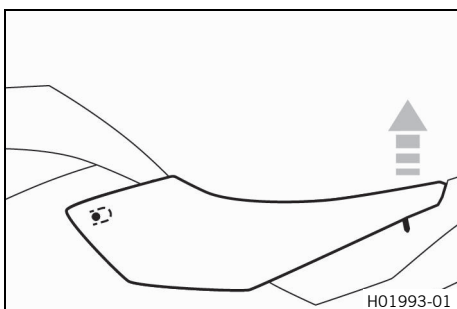
### 3.5 Removing the front rider's seat

#### Preparatory work

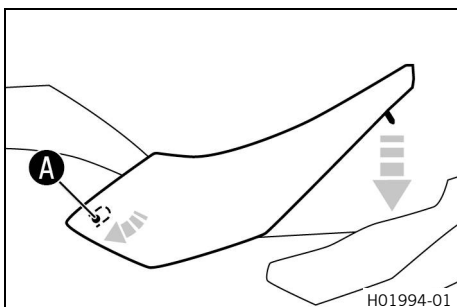
- Remove the passenger seat. (🔧 p. 7)

#### Main work

- Raise the rear of the front rider's seat, pull it towards the rear, and remove it upwards.



### 3.6 Mounting the front rider's seat



#### Main work

- Attach the front rider's seat in area A and lower at the rear.
- Finally, check that the front rider's seat is correctly mounted.

**Finishing work**

- Mount the passenger seat. (📖 p. 7)

**3.7 Charging the 12-V battery****Warning**

**Risk of injury** Battery acid and battery gases cause serious chemical burns.

- Keep 12 V batteries out of the reach of children.
- Wear suitable protective clothing and safety glasses.
- Avoid contact with battery acid and battery gases.
- Keep sparks or open flames away from the 12 V battery.
- Only charge 12 V batteries in well-ventilated rooms.
- Rinse the affected area immediately with plenty of water in the event of contact with the skin.
- Rinse eyes with water for at least 15 minutes and consult a doctor immediately if battery acid and battery gases get into the eyes.

**Note**

**Danger of damage** An incorrectly selected charging mode will damage the 12-V battery.

- Always select a charging mode that is compatible with the type of battery.

**Note**

**Environmental hazard** 12 V batteries contain environmentally hazardous materials.

- Do not dispose of 12 V batteries as household waste.
- Dispose of 12 V batteries at a collection point for used batteries.

**Note**

**Environmental hazard** Hazardous substances cause environmental damage.

- Dispose of oils, grease, filters, fuel, cleaning agents, brake fluid, etc., correctly and in compliance with the applicable regulations.

**Info**

Even when there is no load on the 12-V battery, it discharges steadily each day.

The charging level and the method of charging are very important for the service life of the 12-V battery.

Rapid recharging with a high charging current shortens the service life of the battery.

If the charging current, charging voltage, or charging time is exceeded, electrolyte escapes through the safety valves. This reduces the capacity of the 12-V battery.

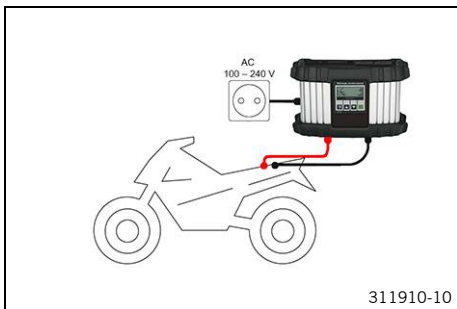
If the 12-V battery is discharged by repeated starting, charge the 12-V battery immediately.

If the 12-V battery is left in a discharged state for an extended period, it will become deeply discharged and sulfating occurs, thus destroying the battery.

The 12-V battery is maintenance-free. The acid level does not have to be checked.

**Preparatory work**

- Remove the passenger seat. (📖 p. 7)
- Remove the front rider's seat. (📖 p. 7)
- Disconnect the negative cable of the 12-V battery. (📖 p. 9)



**Main work**

- Connect a battery charger to the 12-V battery. Adjust the battery charger.

EU battery charger **XCharge-professional** (00029095050)

**Alternative 1**

US battery charger **XCharge-professional** (00029095051)

**Alternative 2**

UK battery charger **XCharge-professional** (00029095052)

**i Info**

Follow the instructions of the charger and the manual.

- Disconnect the battery charger after charging the 12-V battery.

**Guideline**

The charging current, charging voltage, and charging time must not be exceeded.

Recharge the 12-V battery regularly when the motorcycle is not being used	6 months
---	----------

**Finishing work**

- Connect the negative cable of the 12-V battery. (📖 p. 10)
- Mount the front rider's seat. (📖 p. 7)
- Mount the passenger seat. (📖 p. 7)
- Set time and date. (📖 p. 11)

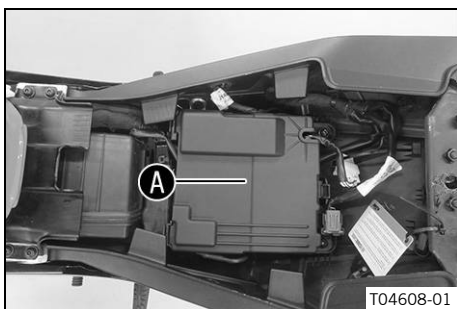
**3.8 Disconnecting the negative cable of the 12-V battery**

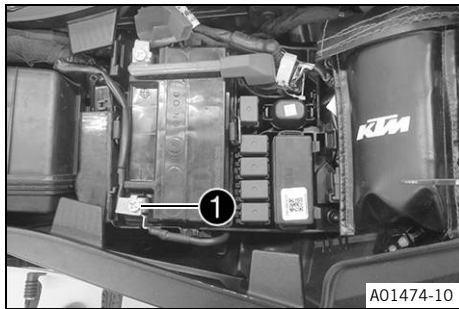
**Preparatory work**

- Remove the passenger seat. (📖 p. 7)
- Remove the front rider's seat. (📖 p. 7)

**Main work**

- Remove battery cover **A**.





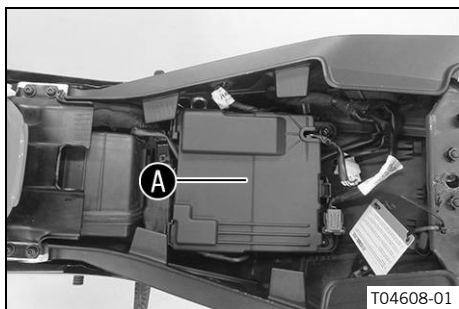
- Disconnect negative cables ① of the 12-V battery.

### 3.9 Connecting the negative cable of the 12-V battery



#### Main work

- Connect negative cables ① of the 12-V battery.

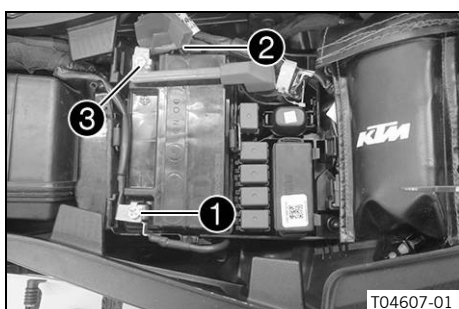


- Install battery cover A.

#### Finishing work

- Mount the front rider's seat. (📖 p. 7)
- Mount the passenger seat. (📖 p. 7)
- Set time and date. (📖 p. 11)

### 3.10 Installing the 12-V battery

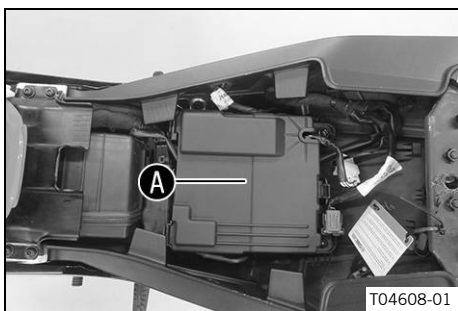


#### Main work

- Position the 12-V battery in the battery compartment.

12-V battery (ETZ-9-BS)

- Position positive cable ② and mount and tighten the screw.
- Position positive terminal cover ③.
- Position negative cable ① and mount and tighten the screw.



- Mount battery cover **A**.

**Finishing work**

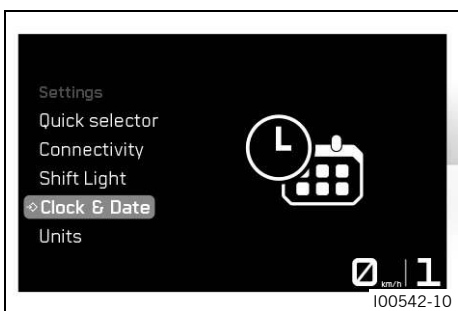
- Mount the front rider's seat. (🗨️ p. 7)
- Mount the passenger seat. (🗨️ p. 7)
- Set time and date. (🗨️ p. 11)

**3.11 Setting the time and date**

**Condition**

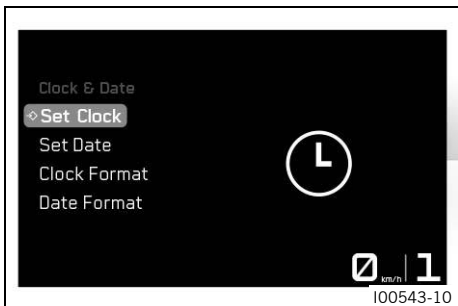
The motorcycle is stationary.

- Press the **SET** button when the menu is closed.
- Press **UP** or **DOWN** button until **Settings** appears. Press the **SET** button to open the menu.
- Press the **UP** or **DOWN** button until **Clock & Date** is highlighted. Press the **SET** button to open the submenu.



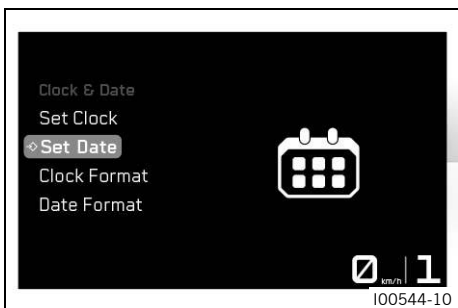
**Setting the clock**

- Press **UP** or **DOWN** button until **Set Clock** is highlighted.
- Press the **SET** button to open the menu.
- Press the **UP** or **DOWN** button until the current hour is set. Press the **SET** button to select the hour.
- Press the **UP** or **DOWN** button until the current minute is set. Press the **SET** button to select the minute.
- Press the **BACK** button to exit the menu.



**Setting the date**

- Press **UP** or **DOWN** button until **Set Date** is highlighted.
- Press the **SET** button to open the menu.
- Press the **UP** or **DOWN** button until the current day is set. Press the **SET** button to select the day.
- Press the **UP** or **DOWN** button until the current month is set. Press the **SET** button to select the month.
- Press the **UP** or **DOWN** button until the current year is set. Press the **SET** button to select the year.
- Press the **BACK** button to exit the menu.



### 3.12 Opening fuel tank filler cap



#### Danger

**Fire hazard** Fuel is highly flammable.

The fuel in the fuel tank expands when warm and can escape if overfilled.

- Do not fuel the vehicle in the vicinity of open flames or lit cigarettes.
- Switch off the engine for refueling.
- Make sure that no fuel is spilled; particularly not on hot parts of the vehicle.
- If any fuel is spilled, wipe it off immediately.
- Observe the specifications for refueling.



#### Warning

**Danger of poisoning** Fuel is harmful to health.

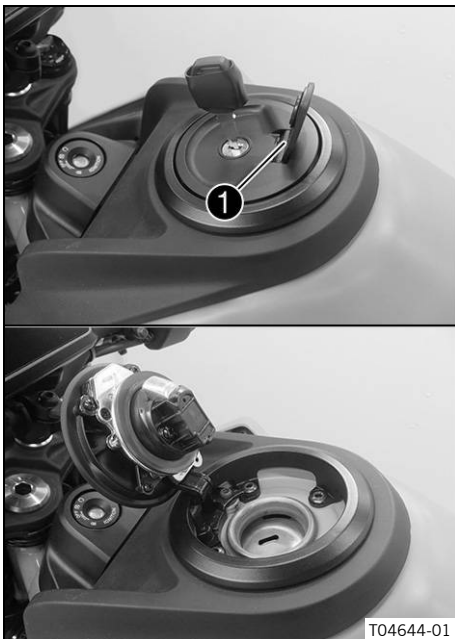
- Avoid skin, eye and clothing contact with fuel.
- Immediately consult a doctor if you swallow fuel.
- Do not inhale fuel vapors.
- Rinse the affected area immediately with plenty of water in the event of contact with the skin.
- Rinse the eyes thoroughly with water, and consult a doctor in case of fuel contact with the eyes.
- Change your clothing if fuel spills on them.
- Keep fuels correctly in a suitable canister, and out of the reach of children.



#### Note

**Environmental hazard** Improper handling of fuel is a danger to the environment.

- Do not allow fuel to enter the groundwater, the soil, or the sewage system.



- Lift cover **1** of the fuel tank filler cap and insert the ignition key into the lock.

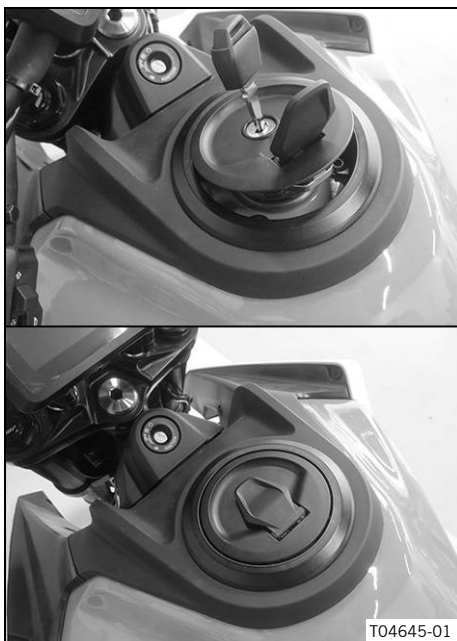
#### Note

**Danger of damage** The ignition key may break if overloaded.

Damaged ignition keys must be replaced.

- Push down on the fuel tank filler cap to take pressure off the ignition key.
- Turn the ignition key 90° clockwise.
- Lift the fuel tank filler cap.
- Remove the ignition key.

### 3.13 Closing the fuel tank filler cap



#### Warning

**Fire hazard** Fuel is highly flammable and a health hazard.

- Check that the fuel tank filler cap is locked correctly after closing.
- Change your clothing if fuel spills on them.
- Rinse the affected area immediately with plenty of water in the event of contact with the skin.

- Close the fuel tank filler cap.
- Push down the fuel tank filler cap until the lock engages.

### 3.14 Refueling



#### Danger

**Fire hazard** Fuel is highly flammable.

The fuel in the fuel tank expands when warm and can escape if overfilled.

- Do not fuel the vehicle in the vicinity of open flames or lit cigarettes.
- Switch off the engine for refueling.
- Make sure that no fuel is spilled; particularly not on hot parts of the vehicle.
- If any fuel is spilled, wipe it off immediately.
- Observe the specifications for refueling.



#### Warning

**Danger of poisoning** Fuel is harmful to health.

- Avoid skin, eye and clothing contact with fuel.
- Immediately consult a doctor if you swallow fuel.
- Do not inhale fuel vapors.
- Rinse the affected area immediately with plenty of water in the event of contact with the skin.
- Rinse the eyes thoroughly with water, and consult a doctor in case of fuel contact with the eyes.
- Change your clothing if fuel spills on them.

#### Note

**Material damage** Inadequate fuel quality causes the fuel filter to quickly become clogged.

In some countries and regions, the available fuel quality and cleanliness may not be sufficient. This will result in problems with the fuel system.

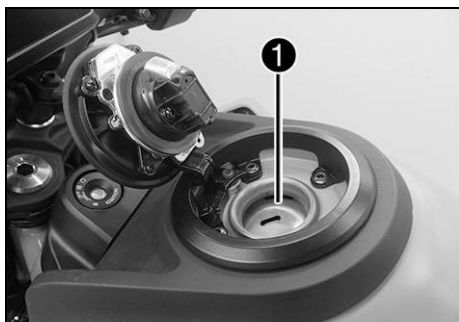
- Refuel only with clean fuel that meets the specified standards.



**Note**

**Environmental hazard** Improper handling of fuel is a danger to the environment.

- Do not allow fuel to enter the groundwater, the soil, or the sewage system.



- Switch off the engine.
- Open the fuel tank filler cap. (📖 p. 12)
- Fill the fuel tank with fuel up to the lower edge **1** of the fuel filler.

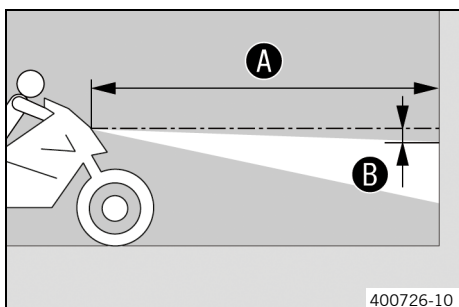
Total fuel tank capacity, approx.	15 l (4 US gal)	Super unleaded (ROZ 95) (📖 p. 19)
-----------------------------------	--------------------	---

- Close the fuel tank filler cap. (📖 p. 13)



T04646-01

### 3.15 Checking the headlight setting



400726-10

- Park the vehicle on a horizontal surface in front of a light-colored wall and make a mark at the height of the center of the low beam headlight.
- Make another mark at a distance **B** under the first marking.  
Guideline

Distance <b>B</b>	5 cm (2 in)
-------------------	-------------

- Position the vehicle vertical to the wall at distance **A** from the wall and switch on the low beam.  
Guideline

Distance <b>A</b>	5 m (16 ft)
-------------------	-------------

- The rider now mounts the motorcycle with luggage and passenger if applicable.
- Check the headlight setting.

The light-dark boundary must be exactly on the lower marking when the motorcycle is ready to be operated with the rider mounted along with any luggage and a passenger if applicable.

- » If the boundary between light and dark does not meet specifications:

- Adjust the headlight range. (📖 p. 15)



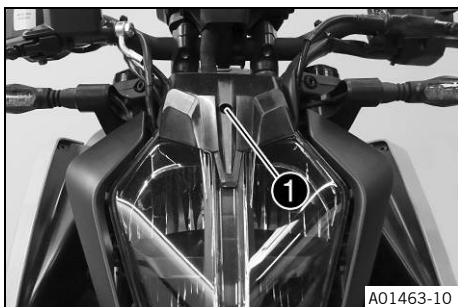
3.16 Adjusting the headlight range

**Preparatory work**

- Check the headlight setting. (📖 p. 14)

**Main work**

- Turn adjusting screw ❶ to adjust the headlight range.



A01463-10

**i Info**

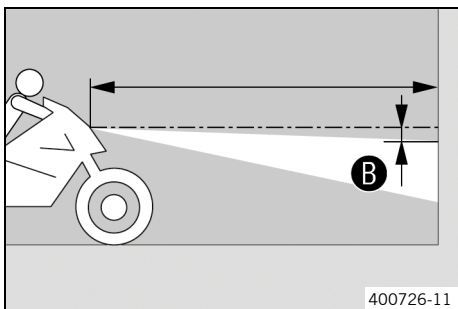
Turn clockwise to increase the headlight range; turn counterclockwise to reduce the headlight range. If you have a payload, you may have to correct the headlight range.

Screw ❶ also secures the headlight. Ensure the screw is always screwed in far enough.

- Set the headlight to marking ❷.

**Guideline**

The light-dark boundary must lie exactly on lower marking ❷ when the motorcycle is ready to operate with the rider mounted along with any luggage and a passenger if applicable.



400726-11

## 4 TECHNICAL SPECIFICATIONS

### 4.1 Chassis tightening torques

Remaining screws, chassis	M4	4 Nm (3 lbf ft)	
Remaining nuts, chassis	M5	5 Nm (3.7 lbf ft)	
Remaining screws, chassis	M5	5 Nm (3.7 lbf ft)	
Screw, chain guard	M5	7 Nm (5.2 lbf ft)	
Screw, combination instrument	M5	4 Nm (3 lbf ft)	
Screw, fuel tank lid	M5	5 Nm (3.7 lbf ft)	
Screw, outer clutch cable guide	M5	5 Nm (3.7 lbf ft)	
Screw, tail light	M5	5 Nm (3.7 lbf ft)	
Remaining nuts, chassis	M6	15 Nm (11.1 lbf ft)	
Remaining screws, chassis	M6	9 Nm (6.6 lbf ft)	
Screw, ABS hose clamp	M6	7 Nm (5.2 lbf ft)	
Screw, ABS module	M6	7 Nm (5.2 lbf ft)	
Screw, ABS module retaining bracket on frame	M6	7 Nm (5.2 lbf ft)	
Screw, air filter box	M6	7 Nm (5.2 lbf ft)	
Screw, bell crank shift lever	M6	16 Nm (11.8 lbf ft)	Loctite®243™
Screw, bracket of fuel vapor valve	M6	9 Nm (6.6 lbf ft)	
Screw, brake fluid reservoir for rear brake	M6	7 Nm (5.2 lbf ft)	
Screw, brake hose clamp	M6	7 Nm (5.2 lbf ft)	
Screw, chain guard	M6	9 Nm (6.6 lbf ft)	
Screw, chain guard on link fork	M6	9 Nm (6.6 lbf ft)	
Screw, chain sliding guard	M6	9 Nm (6.6 lbf ft)	
Screw, compensating tank cap lock, rear brake	M6	7 Nm (5.2 lbf ft)	
Screw, damper block	M6	9 Nm (6.6 lbf ft)	
Screw, engine sprocket cover	M6	11 Nm (8.1 lbf ft)	
Screw, front brake disc	M6	18 Nm (13.3 lbf ft)	
Screw, front fender	M6	6 Nm (4.4 lbf ft)	
Screw, front seat fixing	M6	6 Nm (4.4 lbf ft)	
Screw, fuel pump	M6	9 Nm (6.6 lbf ft)	
Screw, fuel tank	M6	11 Nm (8.1 lbf ft)	
Screw, fuel tank cover	M6	6 Nm (4.4 lbf ft)	
Screw, headlight mask	M6	11 Nm (8.1 lbf ft)	Loctite®243™
Screw, ignition coil	M6	8 Nm (5.9 lbf ft)	
Screw, ignition lock (tamper-proof screw)	M6	13 Nm (9.6 lbf ft)	
Screw, license plate holder	M6	7 Nm (5.2 lbf ft)	
Screw, lower rear panel	M6	5 Nm (3.7 lbf ft)	
Screw, magnetic holder on side stand	M6	5 Nm (3.7 lbf ft)	Loctite®243™
Screw, protective plate	M6	9 Nm (6.6 lbf ft)	
Screw, radiator holder	M6	6 Nm (4.4 lbf ft)	

Screw, radiator shield	M6	8 Nm (5.9 lbf ft)
Screw, rear brake cylinder	M6	7 Nm (5.2 lbf ft)
Screw, rear splash protector	M6	9 Nm (6.6 lbf ft)
Screw, side stand sensor	M6	5 Nm (3.7 lbf ft)
Screw, side stand sensor cable holder	M6	5 Nm (3.7 lbf ft) <b>Loctite®243™</b>
Screw, silent block	M6	7 Nm (5.2 lbf ft)
Screw, tilt sensor	M6	9 Nm (6.6 lbf ft)
Screw, top presilencer	M6	11 Nm (8.1 lbf ft)
Screw, wheel speed sensor - rear wheel	M6	7 Nm (5.2 lbf ft) <b>Loctite®243™</b>
Screw, wheel speed sensor holder	M6	9 Nm (6.6 lbf ft)
Nut, rear sprocket	M8	30 Nm (22.1 lbf ft) <b>Loctite®243™</b>
Remaining nuts, chassis	M8	30 Nm (22.1 lbf ft)
Remaining screws, chassis	M8	25 Nm (18.4 lbf ft)
Screw, bottom presilencer	M8	21 Nm (15.5 lbf ft)
Screw, bottom triple clamp	M8	12 Nm (8.9 lbf ft)
Screw, crash bar on engine bearer	M8	19 Nm (14 lbf ft)
Screw, engine bearer on frame	M8	26 Nm (19.2 lbf ft)
Screw, foot brake lever	M8	16 Nm (11.8 lbf ft) <b>Loctite®243™</b>
Screw, footpeg bracket	M8	21 Nm (15.5 lbf ft)
Screw, fork shoe	M8	16 Nm (11.8 lbf ft)
Screw, front brake caliper	M8	29 Nm (21.4 lbf ft)
Screw, front brake disc	M8	30 Nm (22.1 lbf ft)
Screw, front seat fixing	M8	20 Nm (14.8 lbf ft)
Screw, handlebar clamp	M8	20 Nm (14.8 lbf ft)
Screw, horn	M8	16 Nm (11.8 lbf ft)
Screw, passenger footpeg bracket	M8	21 Nm (15.5 lbf ft)
Screw, rear brake disc	M8	30 Nm (22.1 lbf ft)
Screw, rear seat fixing	M8	18 Nm (13.3 lbf ft)
Screw, seat support plate	M8	18 Nm (13.3 lbf ft)
Screw, supporting strap	M8	21 Nm (15.5 lbf ft)
Screw, top triple clamp	M8	17 Nm (12.5 lbf ft)
Banjo bolt, brake line	M10	24 Nm (17.7 lbf ft)
Fitting, bottom shock absorber	M10	50 Nm (36.9 lbf ft) <b>Loctite®243™</b>
Fitting, handlebar support	M10	21 Nm (15.5 lbf ft)
Fitting, side stand	M10	32 Nm (23.6 lbf ft)
Nut, rear mirror	M10	23 Nm (17 lbf ft)
Remaining nuts, chassis	M10	50 Nm (36.9 lbf ft)
Remaining screws, chassis	M10	46 Nm (33.9 lbf ft)
Screw, bottom subframe	M10	43 Nm (31.7 lbf ft) <b>Loctite® 620™</b>
Screw, engine bearer on engine	M10	44 Nm (32.5 lbf ft)

## 4 TECHNICAL SPECIFICATIONS

Screw, engine on frame	M10	44 Nm (32.5 lbf ft) <b>Loctite®243™</b>
Screw, top shock absorber	M10	50 Nm (36.9 lbf ft) <b>Loctite®243™</b>
Top subframe screw	M10	43 Nm (31.7 lbf ft)
Stud, rear sprocket	M10x1.25	50 Nm (36.9 lbf ft)
Swingarm pivot nut	M14	100 Nm (73.8 lbf ft)
Nut, rear wheel spindle	M16	100 Nm (73.8 lbf ft)
Adjusting ring, fork bearing	M22	9 Nm (6.6 lbf ft)
Screw, steering head, top	M22	74 Nm (54.6 lbf ft)
Screw, wheel spindle, front	M24	45 Nm (33.2 lbf ft)
Nut, steering head	M30	1st stage 45 Nm (33.2 lbf ft) 2nd stage (loosen, counterclockwise) 2 turns 3rd stage 5 Nm (3.7 lbf ft)

## Super unleaded (ROZ 95)

### Standard/classification

- DIN EN 228 (ROZ 95)

### Guideline

- Only use super unleaded fuel that matches or is equivalent to the specified standard.
- Fuel with an ethanol content of up to 10% (E10 fuel) is safe to use.



### Info

Do **not** use fuel containing methanol (e.g., M15, M85, M100) or more than 10% ethanol (e.g., E15, E25, E85, E100).

---



3214989en

02.11.2023

