

125 DUKE, white 2 2023 EU 2023

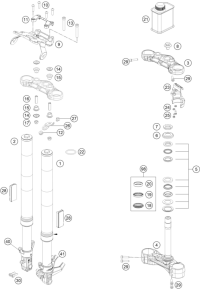
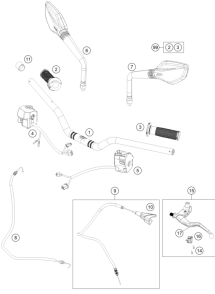
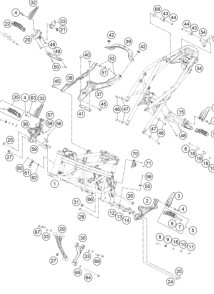
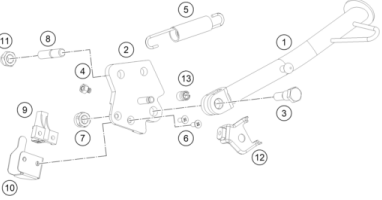
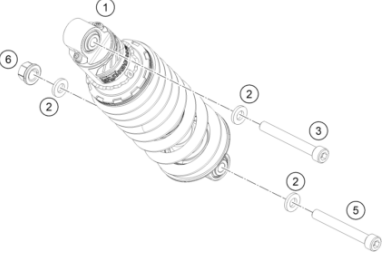
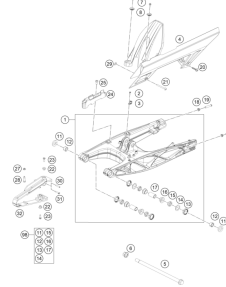
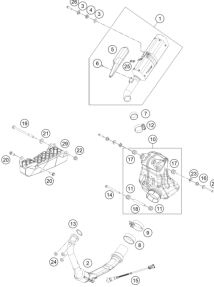
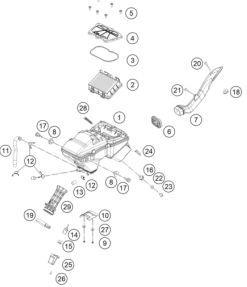
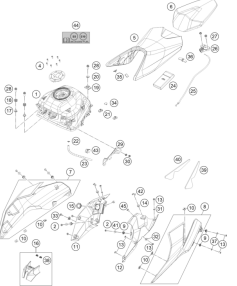
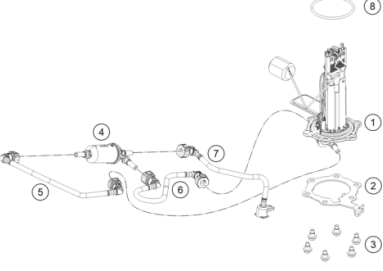
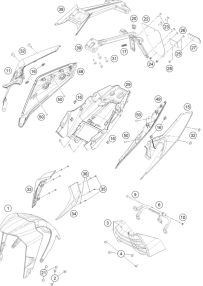

ART.-NR.: F4003W2EN

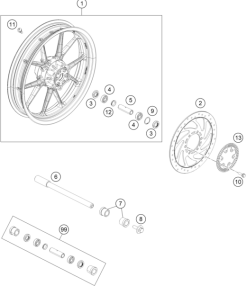
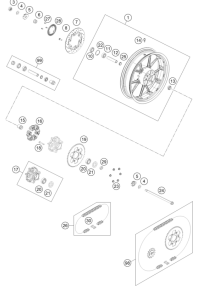
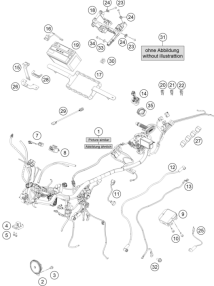
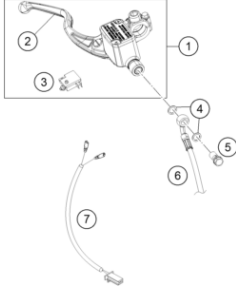
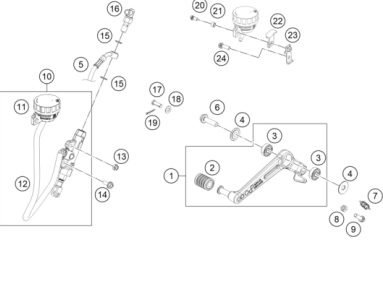
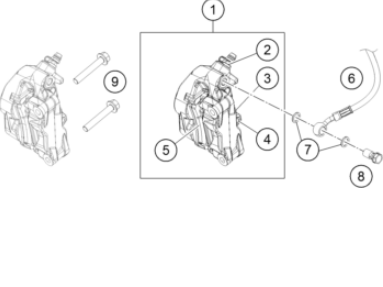
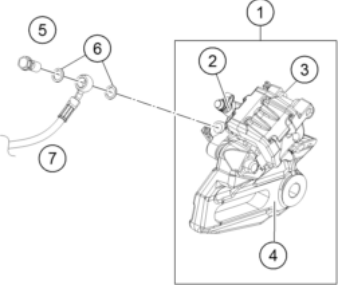
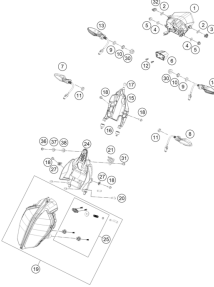
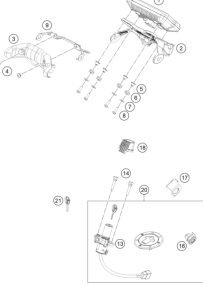
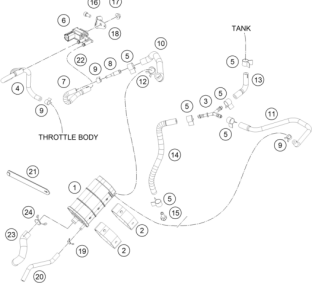
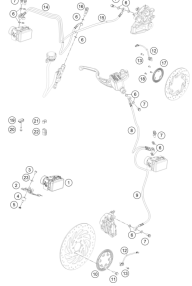




All information contained is without obligation. KTM Sportmotorcycle GmbH particularly reserves the right to modify any equipment, technical specifications, prices, colors, shapes, materials, services, service work, constructions, equipment and the like so as to adapt them to local conditions or to cancel any of the above items, all without previous announcement and without giving reasons. KTM may stop manufacturing certain models without previous notice. KTM shall not be held liable for any deviations of availability and/or ability to deliver, illustrations, descriptions, printing and/or other errors. The illustrated models partly contain extra equipment, which is not applied to standard models.

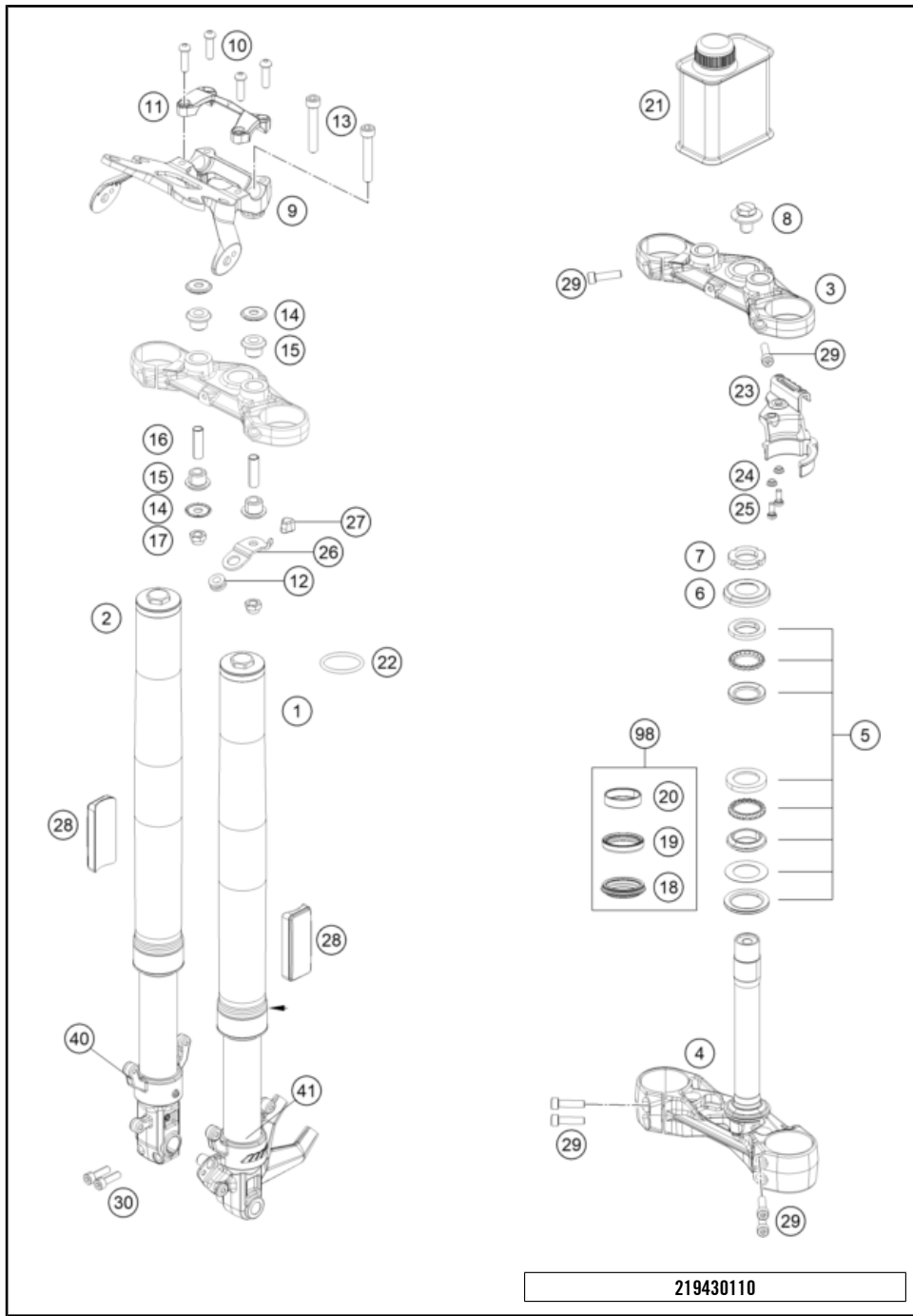
© by KTM Sportmotorcycle GmbH, Mattighofen AUSTRIA; All rights reserved; Reprint, also in extracts, with written allowance of KTM Sportmotorcycle GmbH, Mattighofen only.

| | | | |
|--|---|--|---|
| <p>FRONT FORK, TRIPLE CLAMP</p>  <p>3</p> | <p>HANDLEBAR, CONTROLS</p>  <p>4</p> | <p>FRAME</p>  <p>5</p> | <p>SIDE / CENTER STAND</p>  <p>7</p> |
| <p>SHOCK ABSORBER</p>  <p>8</p> | <p>SWING ARM</p>  <p>9</p> | <p>EXHAUST SYSTEM</p>  <p>10</p> | <p>AIR FILTER</p>  <p>11</p> |
| <p>TANK, SEAT</p>  <p>12</p> | <p>FUEL PUMP</p>  <p>14</p> | <p>MASK, FENDERS</p>  <p>15</p> | <p>DECAL</p>  <p>16</p> |

| | | | |
|--|---|---|--|
| <p>FRONT WHEEL</p>  <p>17</p> | <p>REAR WHEEL</p>  <p>18</p> | <p>WIRING HARNESS</p>  <p>19</p> | <p>FRONT BRAKE CONTROL</p>  <p>20</p> |
| <p>REAR BRAKE CONTROL</p>  <p>21</p> | <p>FRONT BRAKE CALIPER</p>  <p>22</p> | <p>REAR BRAKE CALIPER</p>  <p>23</p> | <p>LIGHTING SYSTEM</p>  <p>24</p> |
| <p>INSTRUMENTS / LOCK SYSTEM</p>  <p>25</p> | <p>EVAPORATIVE CANISTER</p>  <p>26</p> | <p>ANTIBLOCK SYSTEM ABS</p>  <p>27</p> | |

FRONT FORK, TRIPLE CLAMP

125 DUKE, white 2 2023 EU 2023



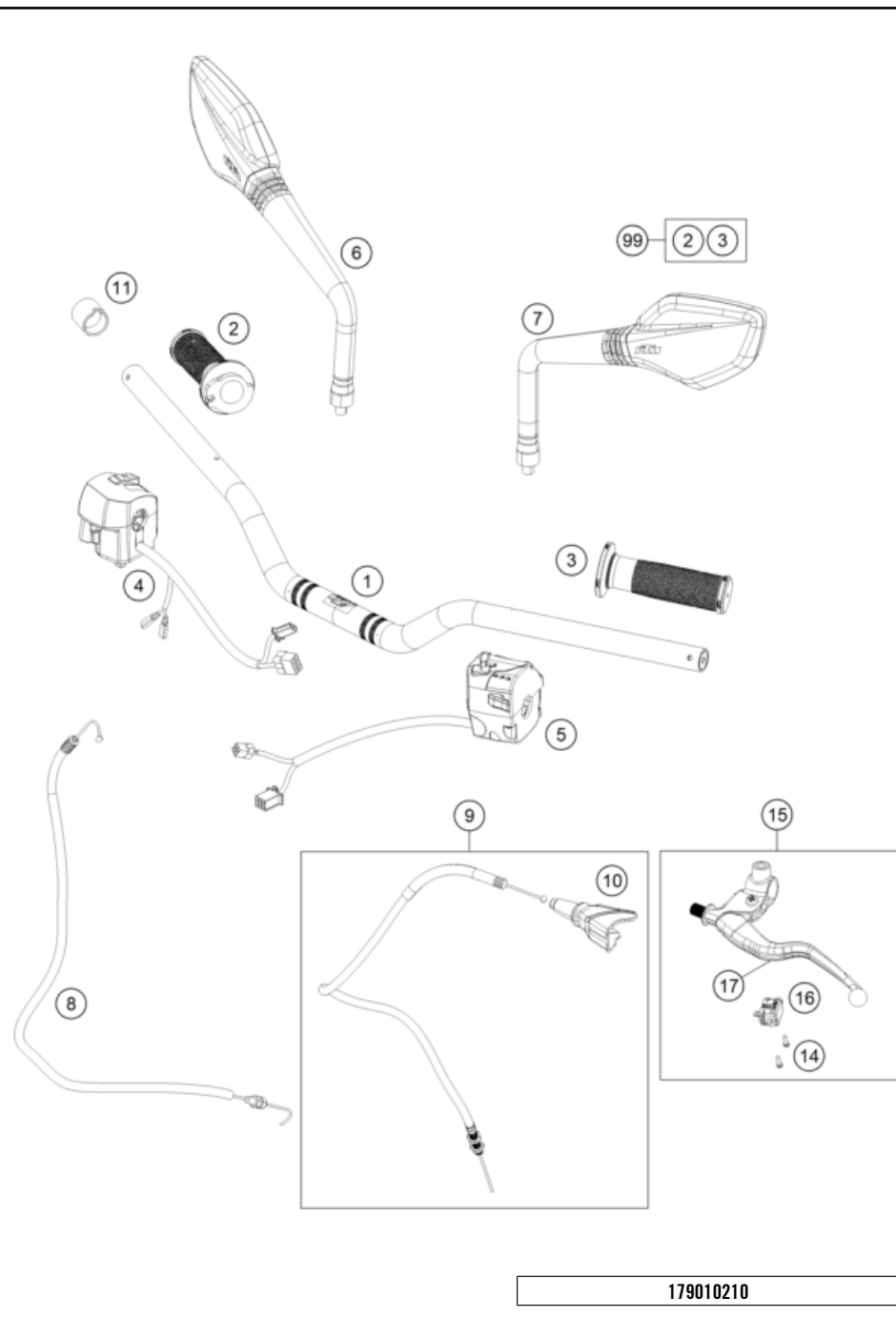
| POS | PARTNUMBER | PIECE |
|-----|-------------|--|
| 1 | 94301001000 | Fork leg left 1 |
| 2 | 94301002000 | Fork leg right 1 |
| 3 | 94301034032 | Triple clamp top 1 |
| 4 | 93001032133 | assembly lower triple clamp GDC 1 |
| 5 | 90101080044 | STEERING HEAD BEARING-KIT 1 |
| 6 | 90101086000 | protection cap 1 |
| 7 | 90101036000 | adjusting ring steering head 1 |
| 8 | 90501044000 | steering head screw 1 |
| 9 | 93014064000 | Holder handsbar CUM TFT speedo 1 |
| 10 | J912080293 | Bolt socket-M8X1.25XI 29Xblack 4 |
| 11 | 93001038000 | Handlebar clamp 1 |
| 12 | 93032060030 | Sleeve clutch cable guide 1 |
| 13 | 93001044000 | hexagon socket screw M10X1.25X72 8.8 2 |
| 14 | 90101042000 | WASHER 10,5X32X2 4 |
| 15 | 90101040000 | RUBBER BUSHING 4 |
| 16 | 93001041000 | Spacer tube 10.2X12X42 2 |
| 17 | J982101253 | SELF L. NUT M10X1,25 H11 WS17 1 |
| 18 | 43570624 | Dirt scarper SKF 43mm black 2 |
| 19 | 43570623 | Shaft seal SKF 43x52,9x11,4 black 2 |
| 20 | 43570618 | Guide bushing 42x44x20 2 |
| 21 | 48601166S1 | Fork Fluid Viscosity 4.0 5L 1 |
| 22 | 40140024 | O-ring 43x2 NBR70 siliconized yellow 2 |
| 23 | 93013055000 | Hose clamp 1 |
| 24 | 90113055010 | sleeve for hose clamp 2 |
| 25 | J021060156 | AH SCREW M6X15 10.9 2 |
| 26 | 93032059000 | Bracket clutch cable guide 1 |
| 27 | 93032060020 | RUBBER CLUTCH CABLE GUIDE 1 |
| 28 | 90212582001 | side reflector, front 2 |
| 29 | 90501045000 | AH SCREW M8X1.25X30 8 |
| 30 | 90501045000 | AH SCREW M8X1.25X30 2 |
| 40 | 93001007033 | assembly fork pipe rh. 1 |
| 41 | 93001006033 | assembly fork pipe lh. 1 |
| 98 | 90101000010 | REP. KIT FORK KPL. 1 |

* NEW PART

X ON DEMAND

HANDLEBAR, CONTROLS

125 DUKE, white 2 2023 EU 2023



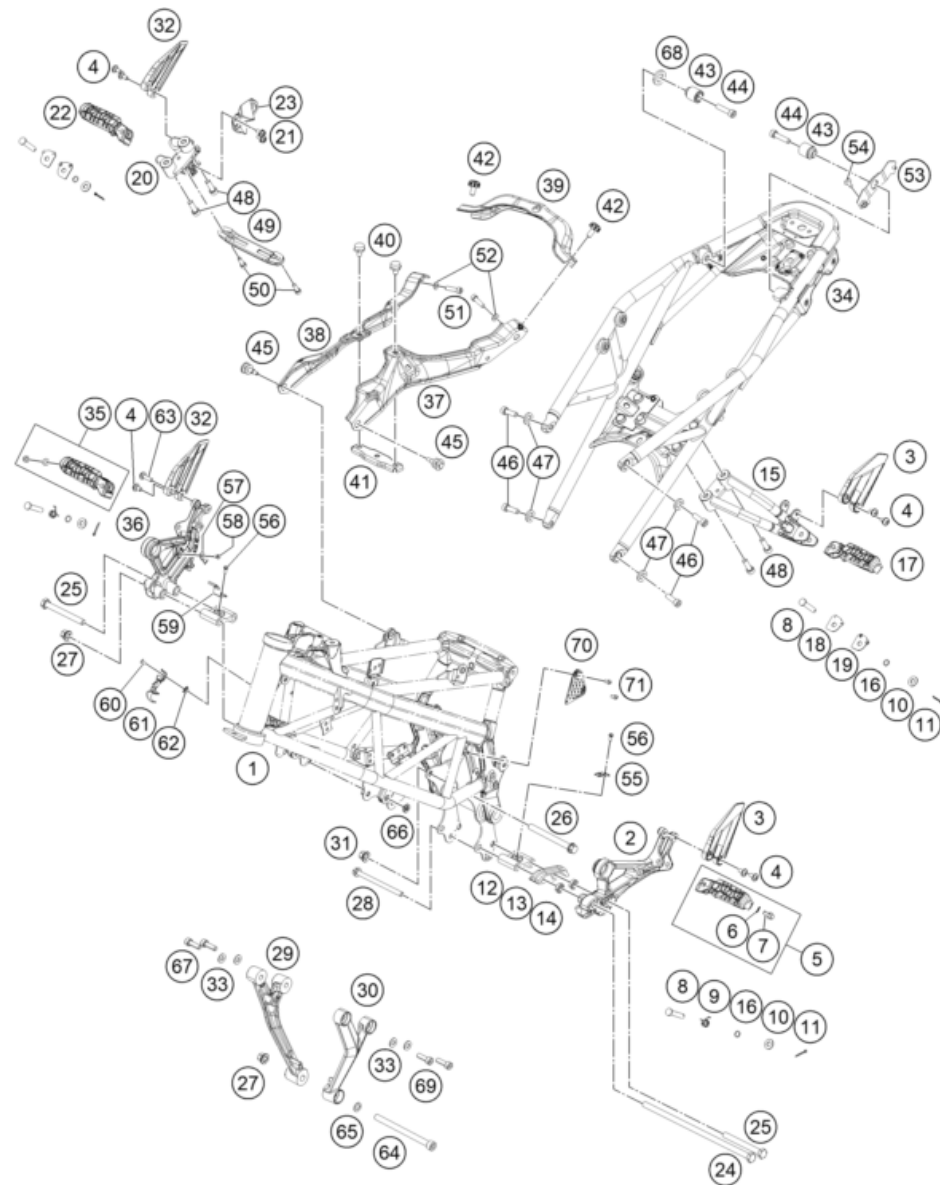
179010210

| POS | PARTNUMBER | | PIECE |
|-----|-------------|----------------------------------|-------|
| 1 | 93002001000 | Handlebar | 1 |
| 2 | 90102010100 | THROTTLE GRIP | 1 |
| 3 | 90502039000 | FIXED GRIP | 1 |
| 4 | 95802010000 | Switch Control RH | 1 |
| 5 | 93011070000 | Light switch | 1 |
| 6 | 93012041000 | Mirror right | 1 |
| 7 | 93012040000 | Mirror left | 1 |
| 8 | 93002091000 | Throttle cable 125 | 1 |
| 9 | 93002090000 | Clutch cable | 1 |
| 10 | 90102016000 | PROTECTION CAP THROTTLE CABLE | 1 |
| 11 | 93011074010 | Distance holder handlebar switch | 1 |
| 14 | 90232014002 | Screw pan cross M3x0.5 | 2 |
| 15 | 28302031033 | Clutch assembly compl. | 1 |
| 16 | 90111149000 | Clutch switch | 1 |
| 17 | 93002031000 | Clutch lever - NON Adjustable | 1 |
| 99 | 90102121000 | GRIP SET | 1 |

56050

* NEW PART

X ON DEMAND



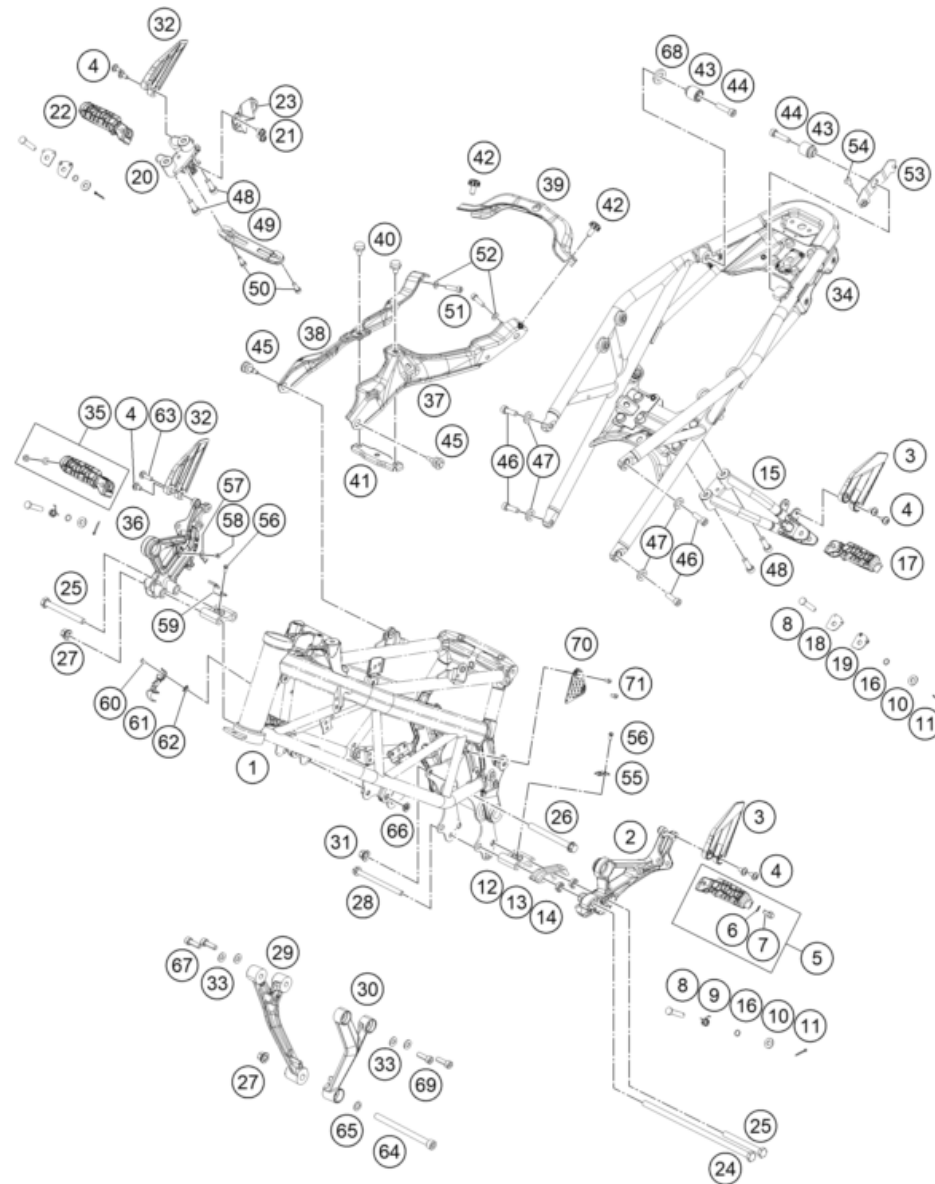
209300310

| POS | PARTNUMBER | | PIECE |
|-----|---------------|--------------------------------|-------|
| 1 | 9300300110030 | Frame Duke 18 black | 1 |
| 2 | 93003038000 | Footrest bracket front left | x |
| 3 | 93003048050 | Heel protector left | 2 |
| 4 | 93008020060 | Screw M6X1X9 | x |
| 5 | 93003140033 | Front footpeg compl. left | 1 |
| 6 | 90103040001 | PLAIN WASHER 6,4X12X1 | 2 |
| 7 | J029060103S | CAP SCREW M6X10 SS | 2 |
| 8 | 93003054000 | Pin footrest pivot black | 4 |
| 9 | 93003042000 | Footpeg spring | 2 |
| 10 | J125080004 | WASHER M8 | 4 |
| 11 | J094020186 | pin cotter-dia. 2.5xl 18 | 4 |
| 12 | 90103038001 | footrest support holder, front | 2 |
| 13 | 90104070000 | chainguide | 1 |
| 14 | 90104066010 | spacer chainguide | 2 |
| 15 | 93003048000 | Footrest bracket rear left | 1 |
| 16 | J770009015 | O-RING 9X1,5 | 4 |
| 17 | 93003150033 | Rear footpeg compl. left | 1 |
| 18 | 93003053000 | Plate lock pillion step bottom | 2 |
| 19 | 93003052000 | Plate lock pillion step top | 2 |
| 20 | 93003049000 | Footrest bracket rear right | 1 |
| 21 | J025060101 | Hexagon screw M6X10 | 2 |
| 22 | 93003151033 | Rear footpeg compl. right | 1 |
| 23 | 93005084000 | Retaining bracket | 1 |
| 24 | J025102656 | HH COLLAR SCREW M10X1,25X265 | 1 |
| 25 | J025100926 | HH COLLAR SCREW M10X1,25X92 | 2 |
| 26 | J025101103 | HH COLLAR SCREW M10X110 WS14 | 1 |
| 27 | 90103038002 | FLANGED NUT M10X1.25 WS14 | 2 |
| 28 | J027081053 | HH COLLAR SCREW M8X105 SW12 | 1 |
| 29 | 93003006000 | Engine brace right | 1 |
| 30 | 93003005000 | Engine brace left 125/200 | 1 |
| 31 | 93003005100 | Nut socket-M10x1.25 | 1 |
| 32 | 93003049050 | Heel protector right | 2 |
| 33 | J125080006 | Washer M8 | 4 |
| 34 | 9300300200028 | Rear frame white | 1 |
| 35 | 93003141033 | Front footpeg compl. right | 1 |
| 36 | 93003039000 | Footrest bracket front right | 1 |
| 37 | 93003002050 | Bracket spider lh | 1 |
| 38 | 93003002151 | Bracket spider rh | 1 |

63817

* NEW PART

X ON DEMAND



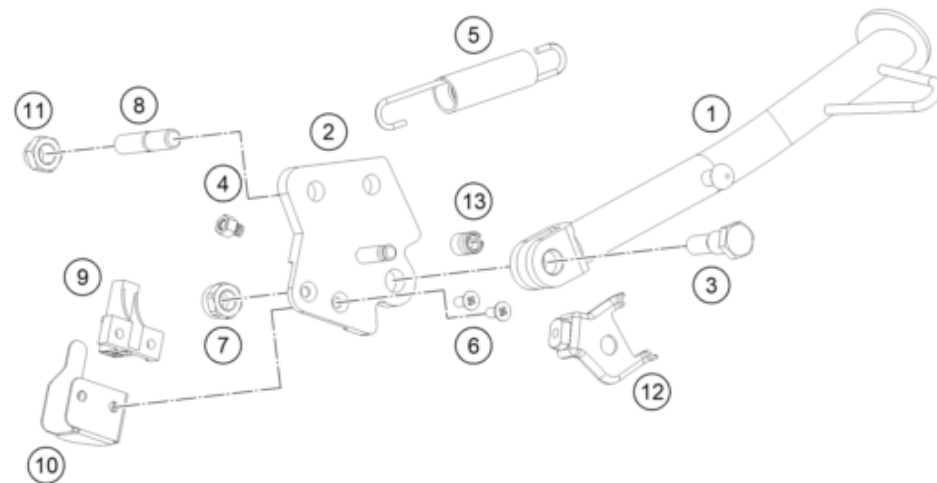
209300310

| POS | PARTNUMBER | | PIECE |
|-----|-------------|----------------------------------|-------|
| 39 | 93003002030 | Bracket seat mount loose | 1 |
| 40 | 93007044000 | Retaining pin | 2 |
| 41 | 93003001070 | Seat cowl front complete | 1 |
| 42 | 93008023000 | Rubber buffer | 2 |
| 43 | 93007047033 | Seat support complete | 2 |
| 44 | J912080303 | hexagon socket screw M8X30 | 2 |
| 45 | 93007046050 | Screw | 2 |
| 46 | 93003002070 | hexagon socket screwM8X1.25X25 | 4 |
| 47 | J125080001 | Washer M8 | 4 |
| 48 | 90103098000 | BOLT | 4 |
| 49 | 93003056000 | Passenger footrest bracket | 1 |
| 50 | J912060143 | Hex socket screw M6X14 | 2 |
| 51 | 93008019070 | hexagon socket screw M8X31 | 2 |
| 52 | J125080002 | Washer plain | 2 |
| 53 | 93006040060 | Retaining bracket | 1 |
| 54 | J005050123 | FLAT HEAD SCREW M5X12 PH | 1 |
| 55 | 90111045050 | CABLE BRACKET | 1 |
| 56 | 90103032000 | FLANGED BOLT M6X14 | 2 |
| 57 | 93013041000 | Retaining bracket | 1 |
| 58 | J025060109 | HH-COLLAR SCREW M6X10 SW8 | 1 |
| 59 | 93013026000 | Support | 1 |
| 60 | J031050121 | Roundhead screw M4X12 | 1 |
| 61 | 93032059010 | Guide clutch cable | 1 |
| 62 | 90108050001 | CLIP NUT M5 | 1 |
| 63 | 93008043000 | Screw M6X1X25 | 1 |
| 64 | J912101283 | Hexagon screw M10X128 | 1 |
| 65 | J125100009 | Washer M10 | 1 |
| 66 | 90108023100 | Clip | 2 |
| 67 | J912080226 | Bolt socket-M8X1.25X122Xcl8.8Xbl | 2 |
| 68 | J125140003 | Washer - plain | 1 |
| 69 | J912080251 | Hexagon screw M8X25 | 2 |
| 70 | 93008041060 | guard ih | 1 |
| 71 | J031060106 | SCREW BUTTON HEAD-M5X0.8XL 8XB | 2 |

63817

* NEW PART

X ON DEMAND



| POS | PARTNUMBER | | PIECE |
|-----|---------------|-----------------------------------|-------|
| 1 | 28103023000 | Side stand | 1 |
| 2 | 93003026100 | Side stand bracket | 1 |
| 3 | 90103027000 | SCREW F. SIDE STAND | 1 |
| 4 | 93503029000 | Magnet bracket | 1 |
| 5 | 90603024000 | SIDE STAND SPRING | 1 |
| 6 | J900000501200 | screw csk cros-m5x0.8x12xbright | 2 |
| 7 | J982101253 | SELF L. NUT M10X1,25 H11 WS17 | 1 |
| 8 | 93003027000 | bolt stud-M10X1.25XL20XBRXPRECOAT | 2 |
| 9 | 93511045000 | SWITCH SIDE STAND | 1 |
| 10 | 28111046000 | Shield switch stand side | 1 |
| 11 | 93003034000 | nut U flang-M10X1.25XHT.8.5XBRT | 2 |
| 12 | 95803034000 | BRACKET HOLDER MAGNET | 1 |
| 13 | 90111040100 | Bushing | 1 |

209300360

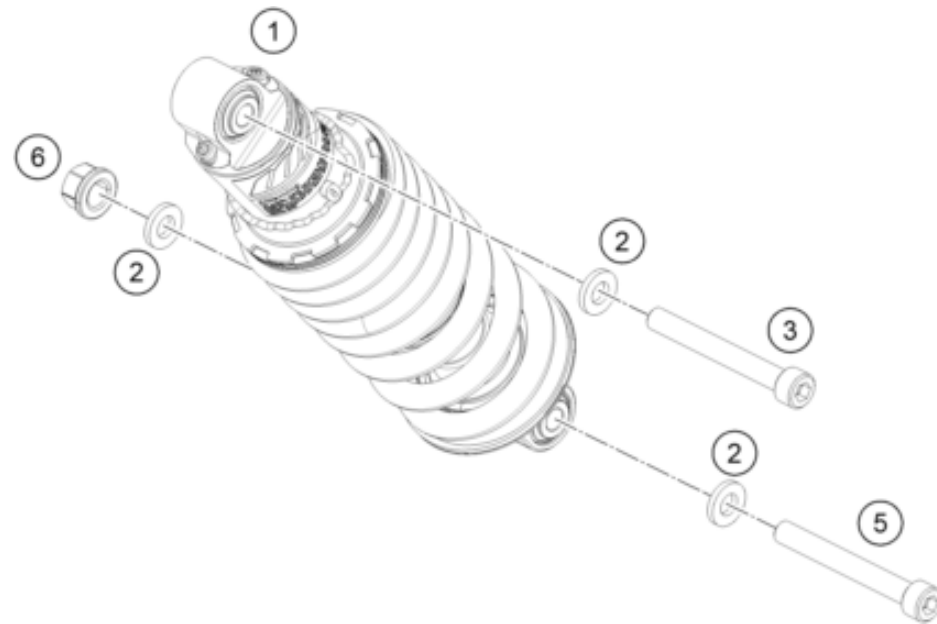
58340

* NEW PART

X ON DEMAND

SHOCK ABSORBER

125 DUKE, white 2 2023 EU 2023



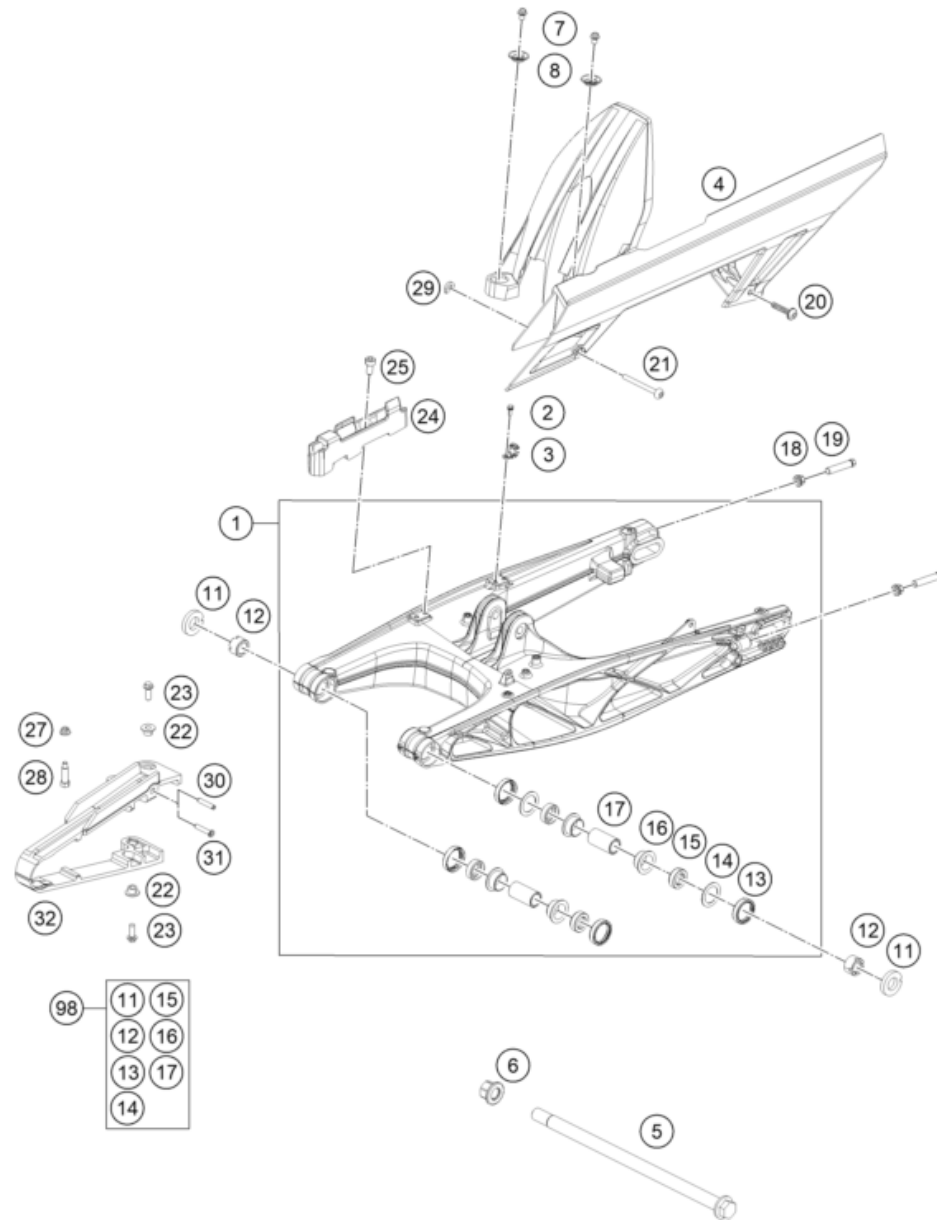
| POS | PARTNUMBER | | PIECE |
|-----|-------------|----------------------------------|-------|
| 1 | 94304010000 | SHOCKABSORBER REAR | 1 |
| 2 | 90104010003 | PLAIN WASHER 10,2X20X3MM | 3 |
| 3 | 93004016100 | hexagon socket screw M10X1.25X62 | 1 |
| 5 | J020100806 | SHCS M10x1.25x80 - 10.9 | 1 |
| 6 | 90104010002 | flanged hex nut M10x1.25 WS13 | 1 |

179010410

56407

* NEW PART

X ON DEMAND



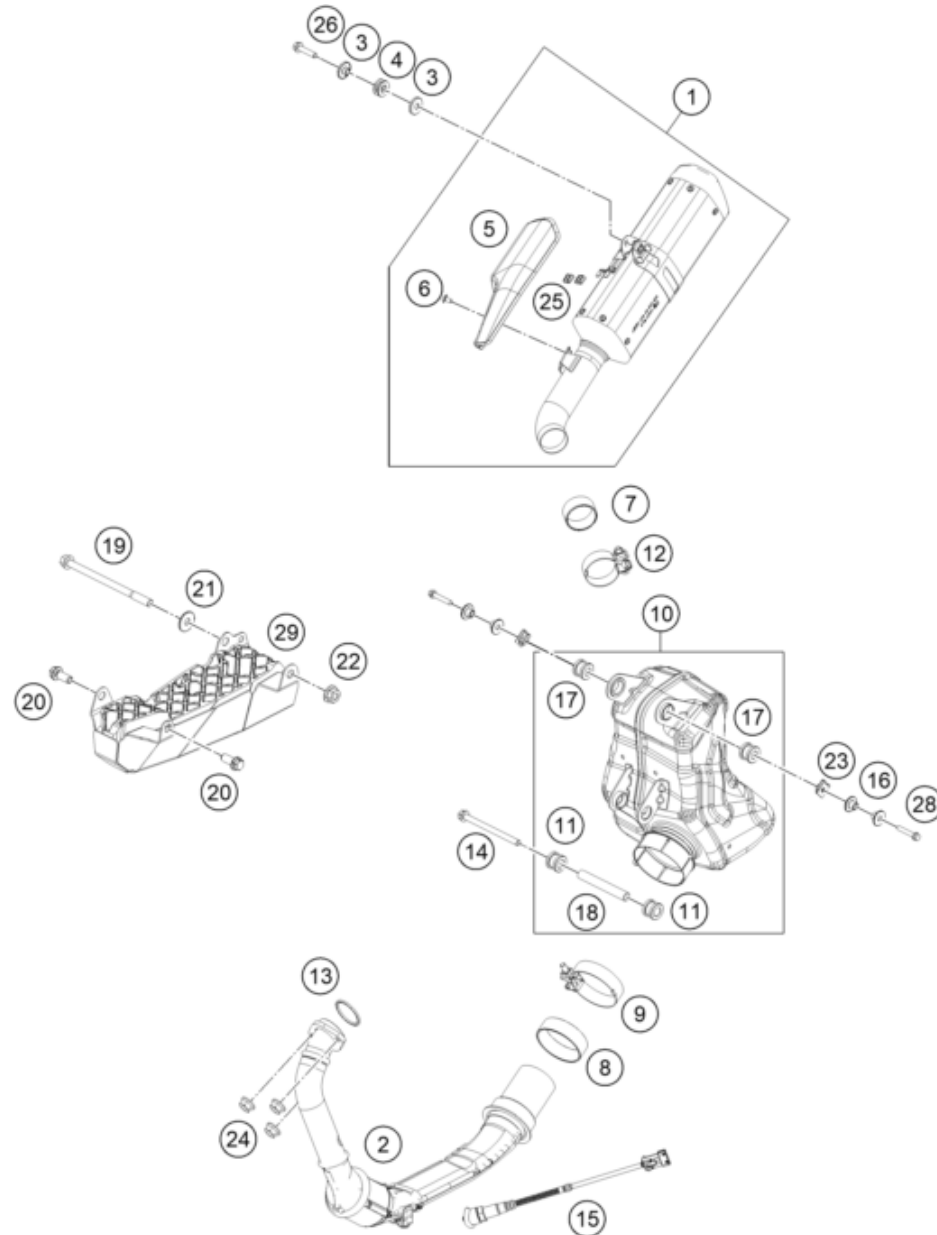
| POS | PARTNUMBER | | PIECE |
|-----|---------------|----------------------------------|-------|
| 1 | 28104030044BA | Swing Arm Sub Assy Duke 390 MY20 | 1 |
| 2 | J011050133 | HH COLLAR SCREW M5X13 SW8 | 1 |
| 3 | 94513047000 | Brake hose bracket rear | 1 |
| 4 | 93004060100 | Chain cover | 1 |
| 5 | 90104037000 | Shaft swing arm L=299mm | 1 |
| 6 | 90104038000 | FLANGED NUT M14X1.5 | 1 |
| 7 | J025060081 | Hex collar screw M6X8 | 2 |
| 8 | 93004051000 | Supporting shell | 2 |
| 11 | 93004042000 | Special wahser | 2 |
| 12 | 90104046000 | swingarm adjusting ring | 2 |
| 13 | 90104034001 | OIL SEAL RING 25X32X7 | 4 |
| 14 | 90104036000 | Thrust washer 22.2x31.7x1 | 2 |
| 15 | 90104034000 | cup for radial shaft seal | 4 |
| 16 | 90104031000 | lgus plain bearing | 4 |
| 17 | 90104032000 | sleeve bushing 15.1x20x38 | 2 |
| 18 | 90104010002 | flanged hex nut M10x1.25 WS13 | 2 |
| 19 | 90104040000 | BOLT HEX M10X1.25X50 WS10 | 2 |
| 20 | 93004064000 | Plastic screw 6x30 | 1 |
| 21 | 93004065000 | hexagon socket screw M5X0.8X55 | 1 |
| 22 | 90604062000 | chain slider bushing | 2 |
| 23 | J025060169 | HH COLLAR SCREW M6X16 SW8 | 2 |
| 24 | 94513047010 | Brake hose bracket rear | 1 |
| 25 | J912050141 | bolt socket-m5x0.8xl 14xprecoat | 1 |
| 27 | 90204060001 | HH COLLAR NUT | 1 |
| 28 | 90104040100 | screw M5x0.8x30 | 1 |
| 29 | 90504067000 | WASHER CHAIN SLIDING GUARD | 1 |
| 30 | 90104070020 | SLEEVE CHAIN GUARD | 1 |
| 31 | 90904070020 | SLEEVE CHAIN GUARD | 1 |
| 32 | 90804066000 | chain slider | 1 |
| 98 | 90104230010 | SWINGARM REP. KIT 11-17 | x |

229410490

63730

* NEW PART

X ON DEMAND



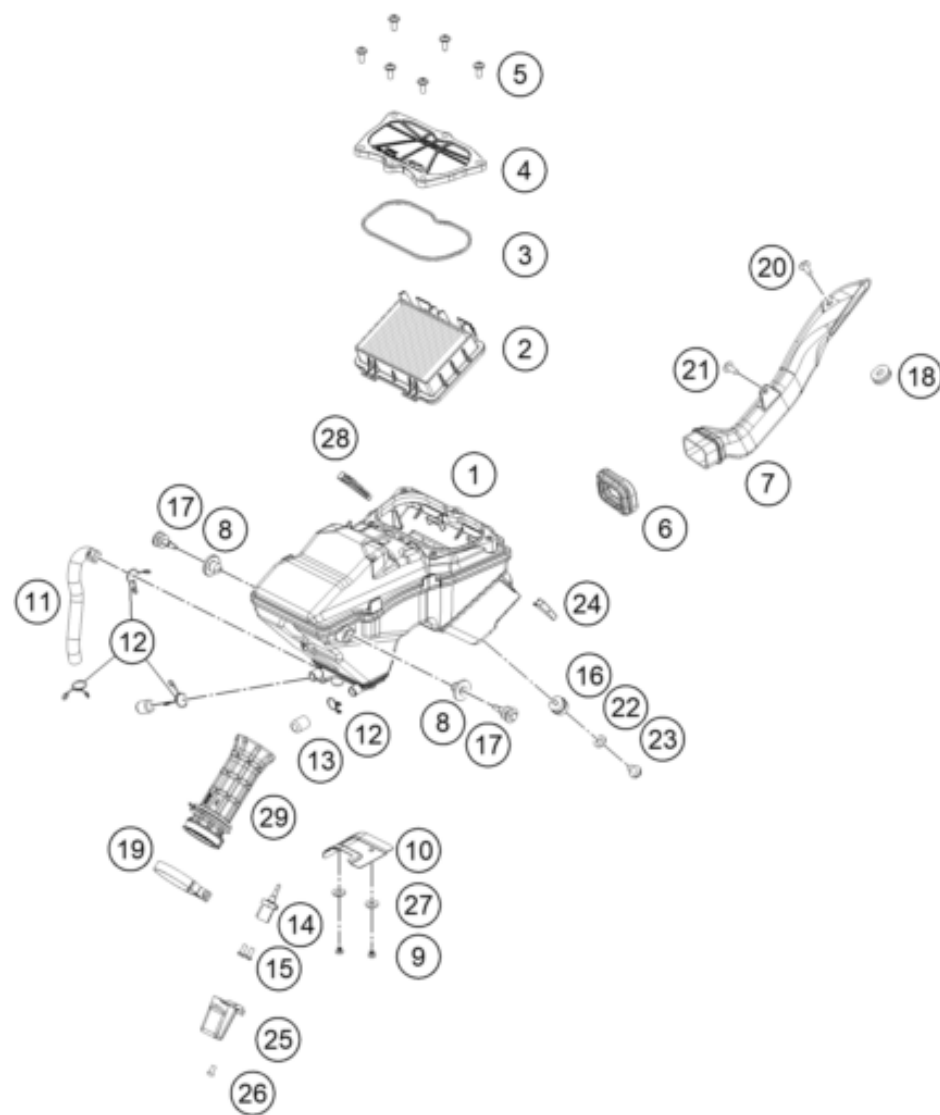
| POS | PARTNUMBER | | PIECE |
|-----|-------------|---------------------------------|-------|
| 1 | 94305083000 | MUFFLER ASSEMBLY SECONDARY | 1 |
| 2 | 94005107000 | PIPE ASSEMBLY A | 1 |
| 3 | 93805095000 | BUSH MUFFLER | 2 |
| 4 | 93805096000 | DAMPER MUFFLER | 1 |
| 5 | 93805011000 | MUFFLER SHIELD | 1 |
| 6 | J031060103 | Lens head screw M6X10 | 1 |
| 7 | 94305050071 | Exhaust flange gasket, muffler | 1 |
| 8 | 94305050172 | Gasket exhaust | 1 |
| 9 | 94305051000 | Exhaust clamp | 2 |
| 10 | 28105050044 | ASSEMBLY PREMUFLER | 1 |
| 11 | 90105068100 | damper, bottom | 2 |
| 12 | 94305051045 | Exhaust clamp | 1 |
| 13 | 90105004100 | Gasket exhaust | 1 |
| 14 | J027081053 | HH COLLAR SCREW M8X105 SW12 | 1 |
| 15 | 94341090000 | Oxygen sensor | 1 |
| 16 | 90205086001 | muffler mounting spacer bushing | 4 |
| 17 | 90205068000 | damper, bottom | 2 |
| 18 | 90105084000 | muffler mounting tube | 1 |
| 19 | J026060903 | HH COLLAR SCREW M6X90 | 1 |
| 20 | J028060143 | BOLT FLANGED M6X14 | 2 |
| 21 | J126061252 | WASHER 6,5X2 MM | 1 |
| 22 | J926060001 | Hexagon nut M6 | 1 |
| 23 | 90103097000 | clip nut | 2 |
| 24 | J926080003 | Hex collar nut M6 | 3 |
| 25 | 93805011003 | GROMMET MUFFLER SHIELD | 2 |
| 26 | J025080353 | BOLT FLANGED M8X35 | 1 |
| 28 | 90105000002 | BOLT SILENCER MTG | 2 |
| 29 | 94005065033 | Heat protection, cmpl. | 1 |

219400510

63808

* NEW PART

X ON DEMAND



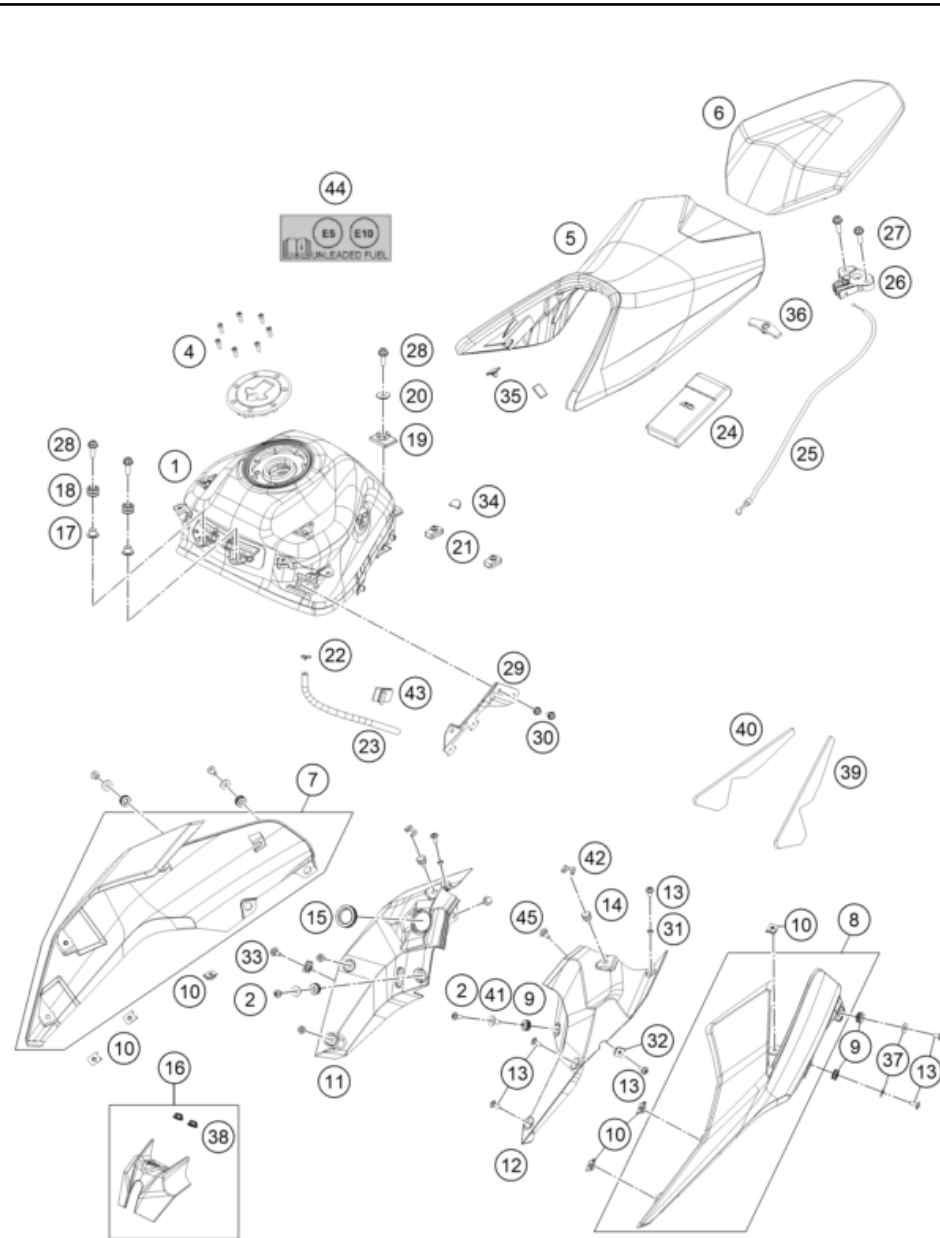
| POS | PARTNUMBER | | PIECE |
|-----|-------------|-------------------------------------|-------|
| 1 | 94006001000 | Air filter box | 1 |
| 2 | 93006015000 | FILTER | 1 |
| 3 | 93006020050 | Seal | 1 |
| 4 | 93006002000 | Air filter box cover | 1 |
| 5 | 93006039000 | Flat-head screw M6 | 4 |
| 6 | 93006001060 | Carburetor connection boot | 1 |
| 7 | 94306040033 | Intake snorkel cmpl. | 1 |
| 8 | 93006001080 | Damping rubber | 2 |
| 9 | J031050103 | Screw Truss M5X0.8 | 2 |
| 10 | 93006001070 | Heat protection | 1 |
| 11 | 93030087200 | Engine vent hose | 1 |
| 12 | 90130087001 | HOSE CLAMP | 4 |
| 13 | 93030089000 | Plug | 1 |
| 14 | 93041080000 | Intake air temperature sensor | 1 |
| 15 | J005050126 | Lens head screw M5X12 | 2 |
| 16 | 90106001007 | SILENT BLOCK AIRFILTER | 1 |
| 17 | 93007046050 | Screw | 2 |
| 18 | 93008019010 | Rubber bushing | 1 |
| 19 | 90106027100 | HOSE CLAMP | 1 |
| 20 | J031050163 | CHEESE-HEAD SCREW M5X16 | 1 |
| 21 | J031050166 | Screw truss M5X16 | 1 |
| 22 | J125060004 | Washer, M6 | 1 |
| 23 | J026060083 | HH COLLAR SCREW M6X8 SW10 | 1 |
| 24 | 93006001015 | Rubber cowl pad | 1 |
| 25 | 93041080060 | SENSOR COVER | 1 |
| 26 | J005050101 | Oval head screw M5X10 | 1 |
| 27 | 90505090050 | WASHER ASBESTOS | 2 |
| 28 | 93006021000 | Distance piece air filter box right | 1 |
| 29 | 93006026100 | TUBE CONNECTING | 1 |

209300611

56052

* NEW PART

X ON DEMAND



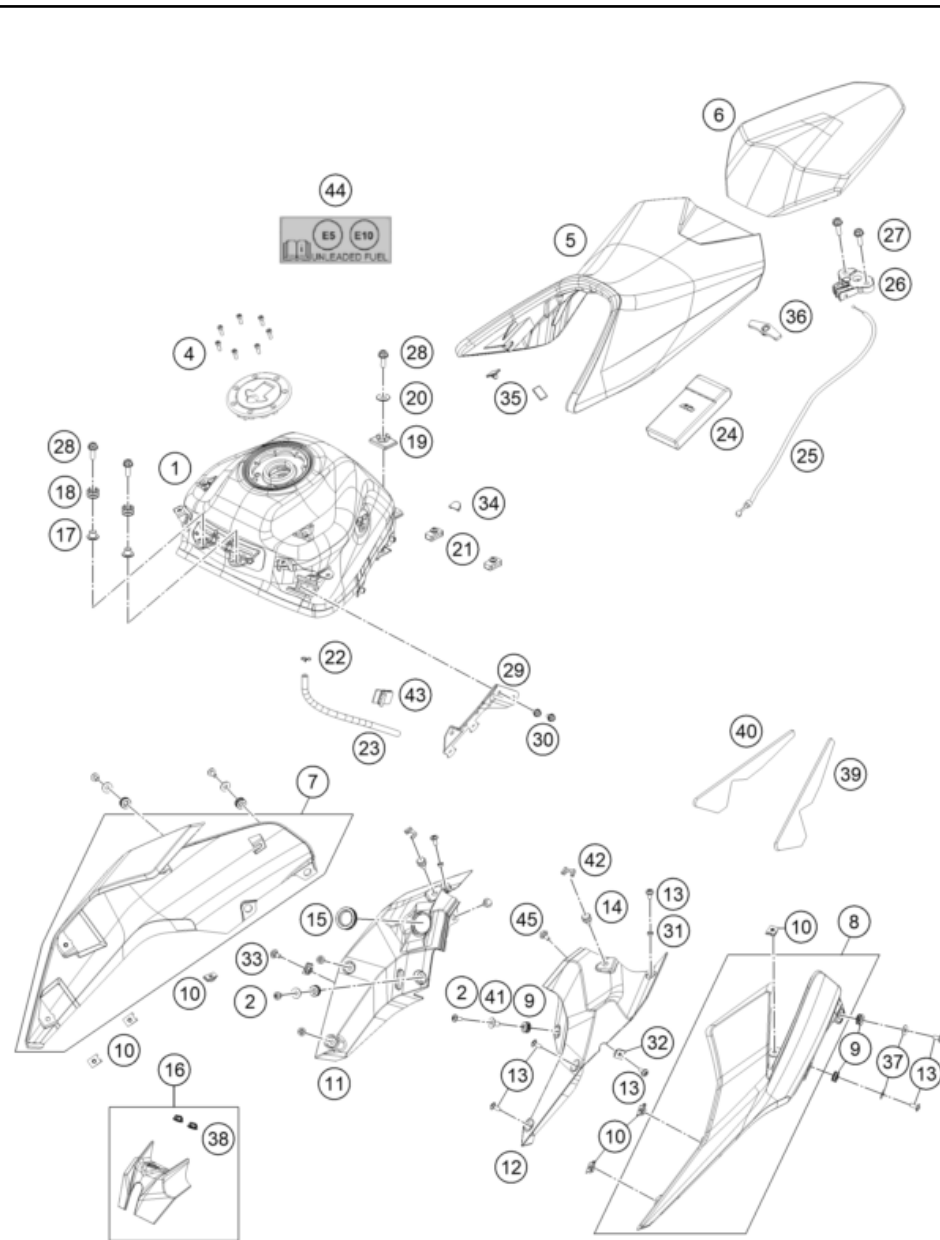
229430710

| POS | PARTNUMBER | | PIECE |
|-----|---------------|--|-------|
| 1 | 93007113000 | Fuel tank | 1 |
| 2 | 90508006003 | AH SCREW M6X1X20 | 2 |
| 4 | J912050151 | AH SCREW M5X14 BLACK | 7 |
| 5 | 93007040000 | Rider seat | 1 |
| 6 | 93007047000 | Seat passenger complete | 1 |
| 7 | 93008051000AB | DUKE 390 T COVER RHJP181207 CERAMIC WHIT | 1 |
| 8 | 93008050000AB | DUKE 390 T COVER LHJP181206 CERAMIC WHIT | 1 |
| 9 | 93008050040 | Rubber bushing | 6 |
| 10 | 93003077000 | Clip nut M6 | 6 |
| 11 | 93008055000 | Inner cover right | 1 |
| 12 | 93008056000 | Inner cover left | 1 |
| 13 | 90508006001 | SOCKET HEAD BOLT M6X12 | 10 |
| 14 | 93008048000 | Special screw | 2 |
| 15 | 93035065010 | Rubber bushing | 1 |
| 16 | 93008057033 | Cover for ignition lock complete | 1 |
| 17 | 93008034000 | Bushing | 2 |
| 18 | 90507013006 | GROMMET TANK MOUNTING | 2 |
| 19 | 93007014000 | Tank guard rear | 1 |
| 20 | 90111060010 | WASHER PLAIN 8,4X25X2 | 1 |
| 21 | 93007040010 | Seat cowl pad | 2 |
| 22 | 90507017000 | HOSE CLAMP | 1 |
| 23 | 93015029050 | Hose active carbon filter | 1 |
| 24 | 90529099000 | TOOLKIT | 1 |
| 25 | 93007052000 | Cable seat lock | 1 |
| 26 | 93007050000 | Sseat lock ZSB | 1 |
| 27 | J025060203 | HH COLLAR SCREW M6X20 SW10 | 2 |
| 28 | J025080253 | Hexagon screw M8X25 | 3 |
| 29 | 93015102000 | Fastening | 1 |
| 30 | J025060103 | HH COLLAR SCREW M6X10 SW10 | 2 |
| 31 | 93008044000 | Sleeve spoiler inner RR MTG | 2 |
| 32 | 90103097000 | clip nut | 2 |
| 33 | 90108076000 | SPECIAL SCREW M6X12X3 | 1 |
| 34 | 93008059000 | Rubber cap tank | 4 |
| 35 | 90507047041 | SEAT DUMPER SOZIUS SEAT | 2 |
| 36 | 93007046000 | Seat cowl pad | 1 |
| 37 | 93008050050 | Washer 6.2X20X1.5 | 6 |
| 38 | 93011068010 | Rubber grommet ignition lock cover | 2 |

59489

* NEW PART

X ON DEMAND



| POS | PARTNUMBER | | PIECE |
|-----|-------------|-----------------------------|-------|
| 39 | 93007025020 | Tape cover LH | 1 |
| 40 | 93007025010 | Tape cover RH | 1 |
| 41 | 93014051000 | Sleeve-illumination bkt | 2 |
| 42 | 93008065000 | Rubber grommet tank spoiler | 2 |
| 43 | 90107029000 | BRACKET DRAIN TUBE CPL. | 1 |
| 44 | 21007098000 | Sticker fuel labelling | 1 |
| 45 | 93008020060 | Screw M6X1X9 | 2 |

229430710

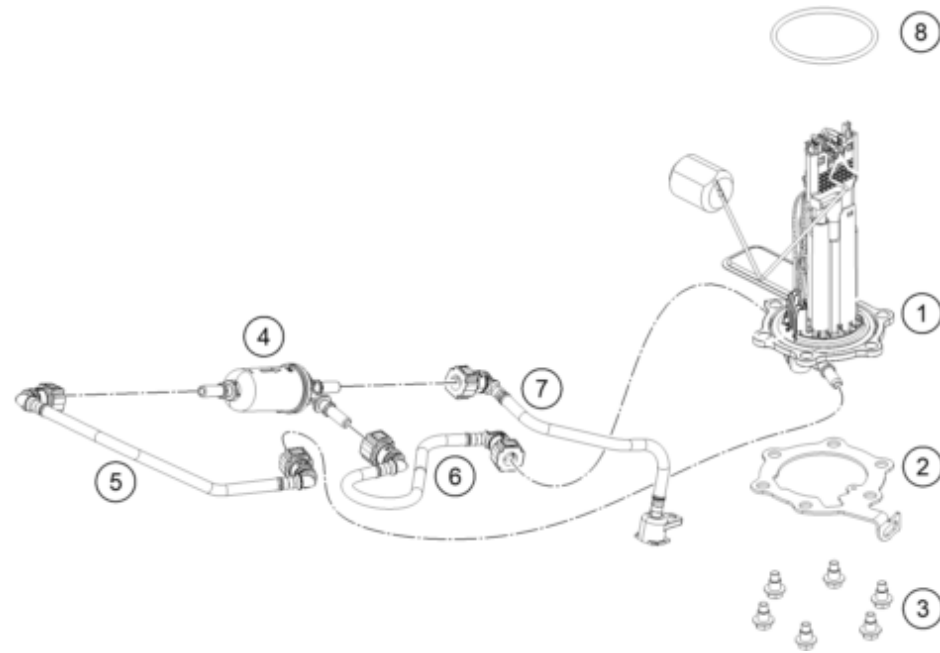
59489

* NEW PART

X ON DEMAND

FUEL PUMP

125 DUKE, white 2 2023 EU 2023



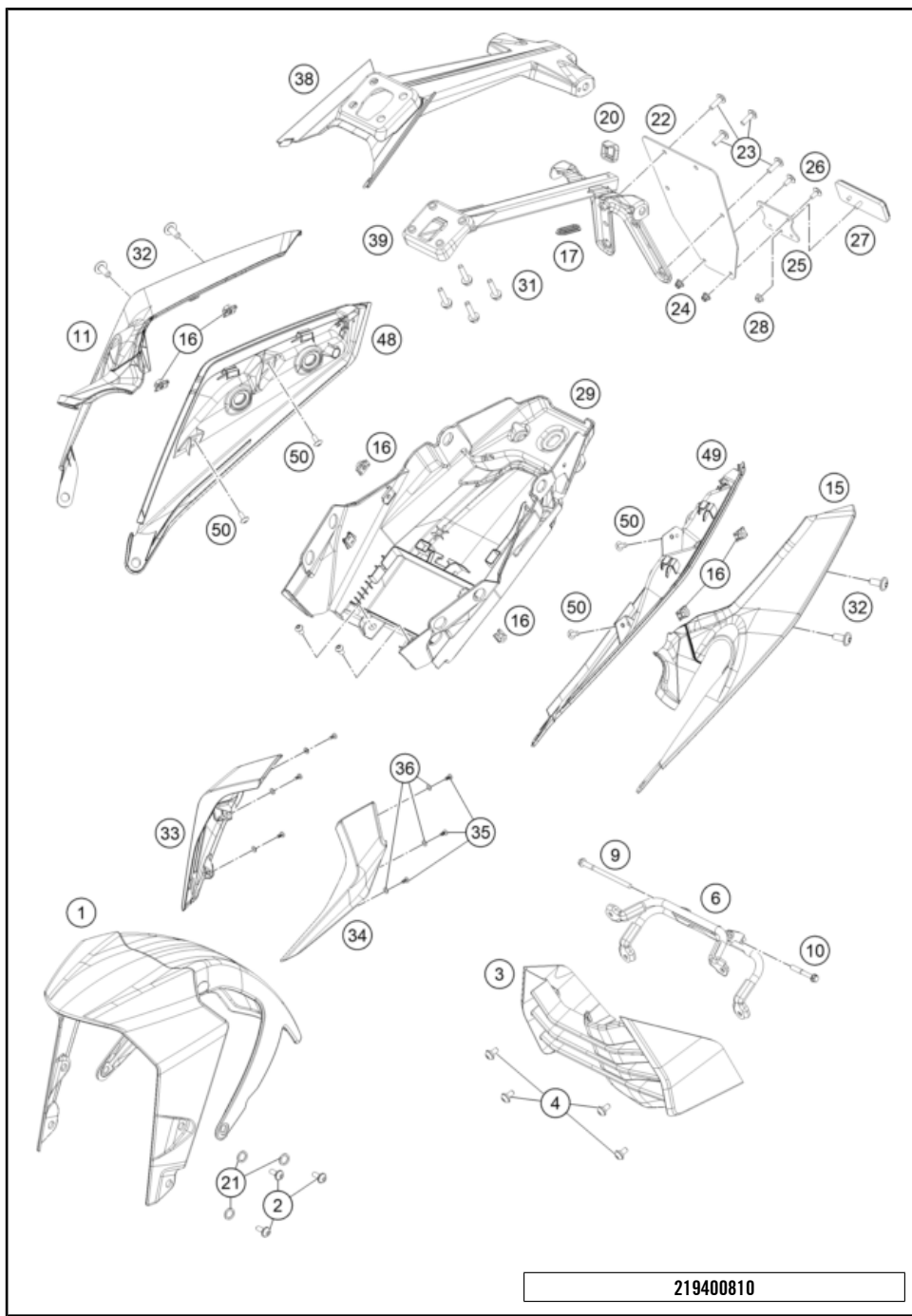
| POS | PARTNUMBER | | PIECE |
|-----|-------------|--|-------|
| 1 | 93307088000 | Fuel pump | 1 |
| 2 | 93041007000 | Flange for fuel pump | 1 |
| 3 | J025060128 | BOLT FLANGE- M6 X 1 X L12.8 XBRT XST | 6 |
| 4 | 93807018000 | fuel filter | 1 |
| 5 | 93007016100 | Fuel hose | 1 |
| 6 | 93007015000 | Fuel hose | 1 |
| 7 | 93141013000 | Injector upper part with hose complete | 1 |
| 8 | 93007089000 | Fuel pump seal | 1 |

179010730

54489

* NEW PART

X ON DEMAND



219400810

| POS | PARTNUMBER | PIECE | |
|-----|---------------|---|---|
| 1 | 9300801003330 | Front fender cpl. black | 1 |
| 2 | J031050161 | Panhead screw with shoulder | 6 |
| 3 | 94108020000C1 | DUKE125 BS6 BELLY PAN JP181342 EBONY BLK | 1 |
| 4 | 93008020060 | Screw M6X1X9 | 4 |
| 6 | 94108021000 | STRUCTURE BELLY PAN | 1 |
| 9 | J900000609000 | BOLT-FLANGED-SMALL | 1 |
| 10 | J900000604502 | BOLT-FLANGED-SMALL | 1 |
| 11 | 93008039000EB | SEAT COWL UPR RH JP181007 EB ORG GLOSS | 1 |
| 15 | 93008018010EB | SEAT COWL UPR LH JP181006 EB ORG GLOSS | 1 |
| 16 | 90108050001 | CLIP NUT M5 | 6 |
| 17 | 93008015060 | grommet | 1 |
| 20 | 93008015010 | Protection rubber | 1 |
| 21 | 93009059000 | Washer nylon | 6 |
| 22 | 90808016000 | REAR FENDER EXT. | 1 |
| 23 | 90508006003 | AH SCREW M6X1X20 | 4 |
| 24 | 90102031010 | HEX NUT M5 AF8 | 2 |
| 25 | 90514044000 | REFLECTOR MOUNTING | 1 |
| 26 | J005050123 | FLAT HEAD SCREW M5X12 PH | 2 |
| 27 | 90514045000 | REFLECTOR | 1 |
| 28 | J06923050053 | Hex collar nut, M5 | 1 |
| 29 | 93008019000 | Tail end lower part | 1 |
| 31 | J025060226 | Hex collar screw M6X22 | 4 |
| 32 | 90508008001 | AH SCREW M8X20 | 4 |
| 33 | 56JP155S | Dummy_SPC_Bajajteil KTM DUKE MY17 SIDE MASK RH WHI | 1 |
| 34 | 56JP145S | Dummy_SPC_Bajajteil KTM DUKE MY17 SIDE MASK LH WHI | 1 |
| 35 | J981030101 | Lens head screw M3,5X10 | 6 |
| 36 | J125040003 | Washer plain small 4.5X8X0.5XBLK | 6 |
| 38 | 93008015150 | License plate holder support, cover | 1 |
| 39 | 93008015300 | Licence plate holder support | 1 |
| 48 | 93008019030 | SEAT COWL LOWER RH | 1 |
| 49 | 93008019020 | SEAT COWL LOWER LH | 1 |
| 50 | J031050123 | Lens head screw M5X12 | 4 |

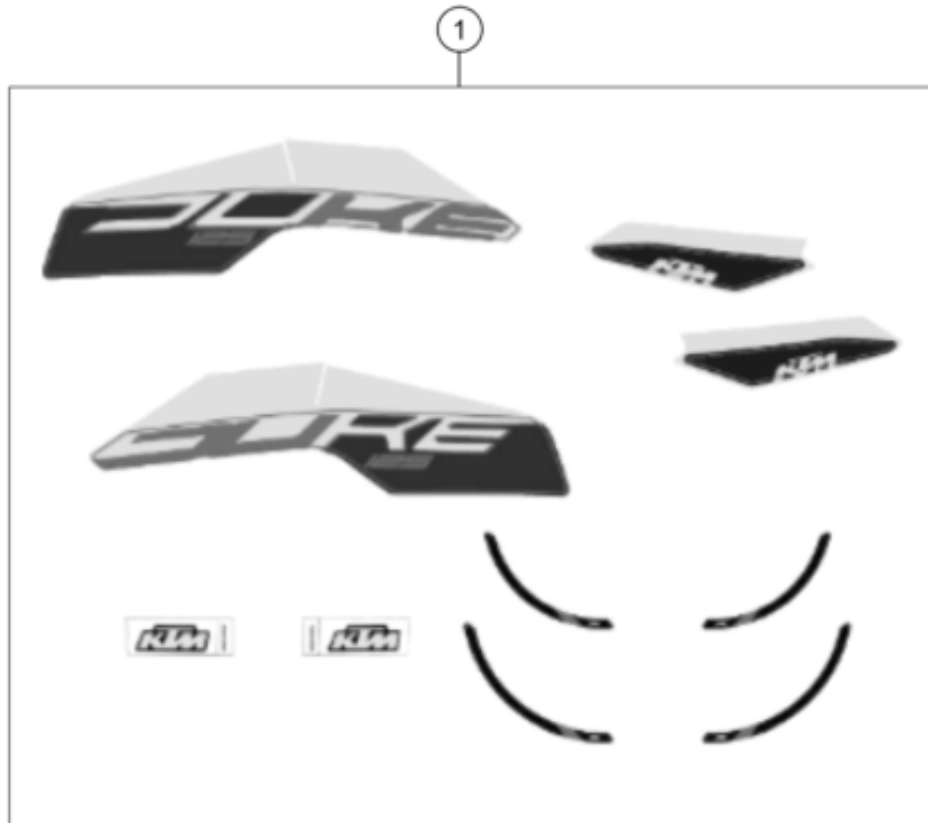
63811

* NEW PART

X ON DEMAND

DECAL

125 DUKE, white 2 2023 EU 2023



3

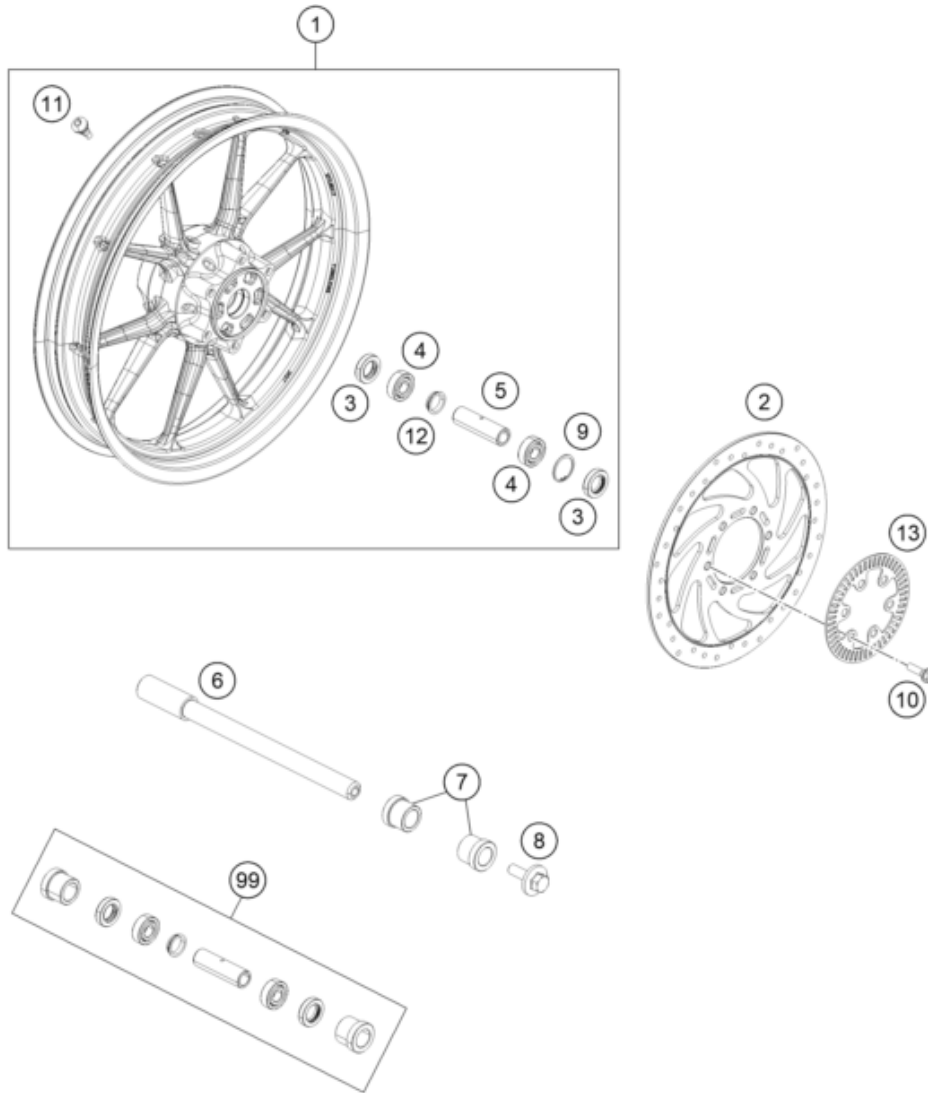
| POS | PARTNUMBER | | PIECE |
|-----|-------------|-----------------------------------|-------|
| 1 | 94008099300 | Aufkleber Set Duke 125 white MY23 | 1 |
| 3 | 93001045000 | Decal Fork front WP | 2 |

239400830

63795

* NEW PART

X ON DEMAND



| POS | PARTNUMBER | | PIECE |
|-----|---------------|--------------------------------|-------|
| 1 | 93009001044EB | Front wheel cpl. orange | 1 |
| 2 | 93309160000 | disc brake dia 320 | 1 |
| 3 | J760223508 | SHAFT SEAL RING 22X35X8 | 2 |
| 4 | J625062023 | BALL BEARING 6202 | 2 |
| 5 | 90109011000 | Spacer front wheel | 1 |
| 6 | 93009081000 | Front axle | 1 |
| 7 | 90209083000 | BEARING BUSHING | 2 |
| 8 | 90109082000 | flanged bolt M8 | 1 |
| 9 | J472035150 | Circlip 35X1,5 | 1 |
| 10 | 90110062000 | SPECIAL SCREW M8X25 SELF LOCK. | 6 |
| 11 | 90109076000 | VALVE CPL. | 1 |
| 12 | 90109011001 | Fixation bearing spacer tube | 1 |
| 13 | 93042020000 | SENSORRING ABS | 1 |
| 99 | 90109015100 | FRONT WHEEL REP. KIT | 1 |

229430910

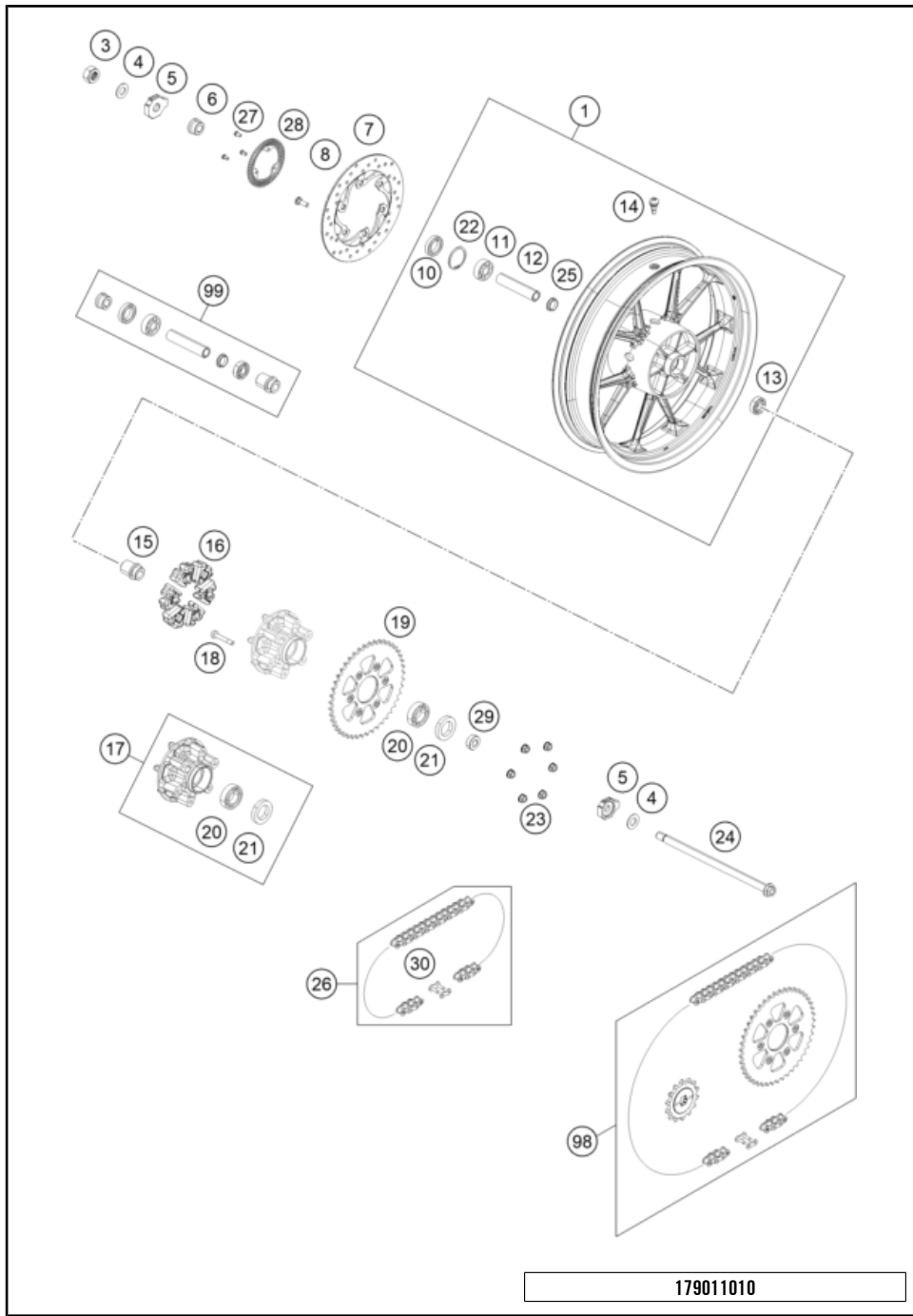
60200

* NEW PART

X ON DEMAND

REAR WHEEL

125 DUKE, white 2 2023 EU 2023



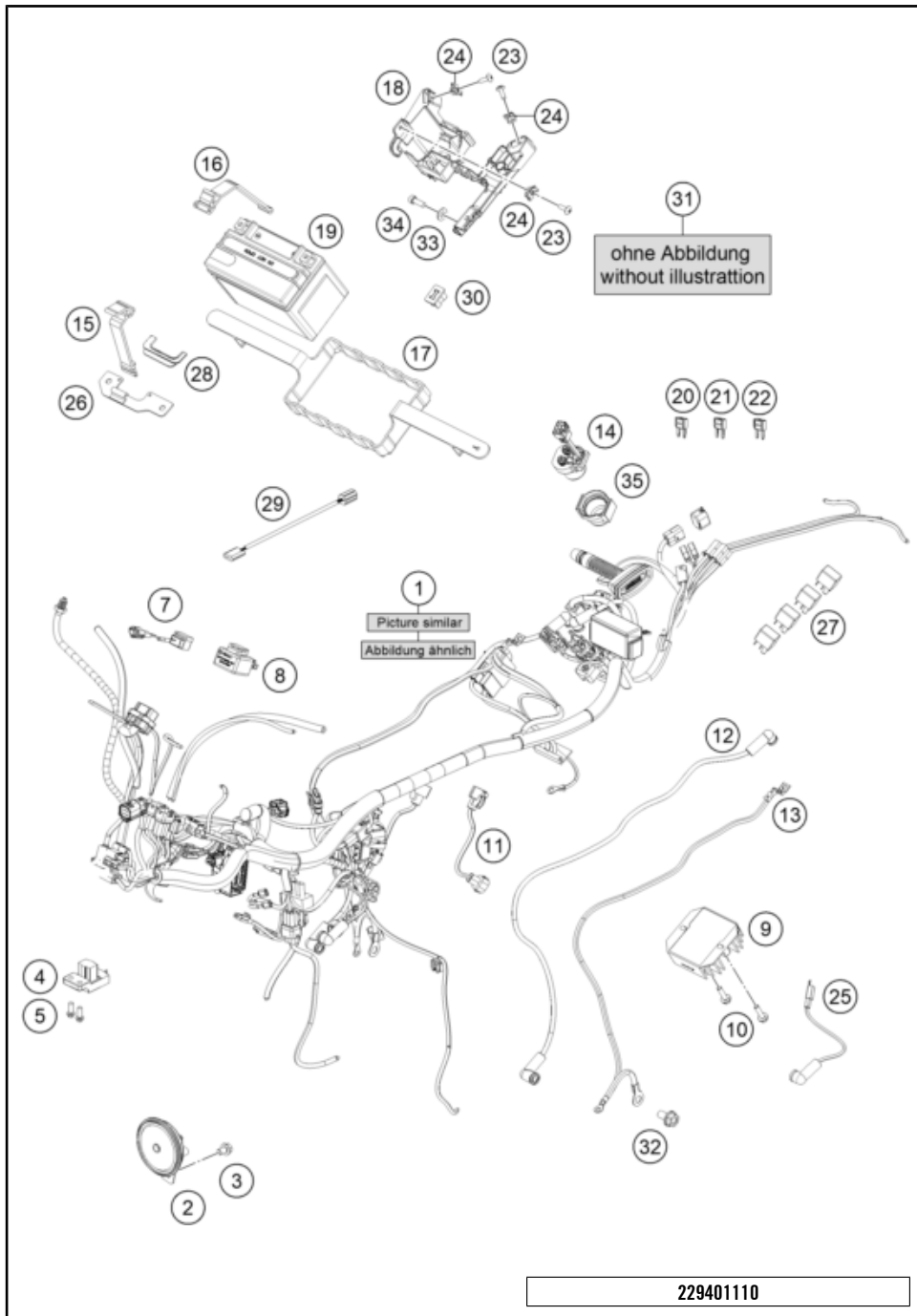
| POS | PARTNUMBER | | PIECE |
|-----|-----------------|--------------------------------|-------|
| 1 | 93010001044EB | Rear wheel cpl. orange | 1 |
| 3 | 90210086000 | wheel spindle nut, rear | 1 |
| 4 | 90610087000 | washer 15.2x30x2 | 2 |
| 5 | 90110084000 | chain tension adjuster, right | 1 |
| 6 | 90110013000 | SPACER BUSHING REAR WHEEL R/S | 1 |
| 7 | 90110060000 | rear brake disk D=230mm | 1 |
| 8 | 90110062000 | SPECIAL SCREW M8X25 SELF LOCK. | 6 |
| 10 | J760264208 | SHAFT SEAL RING 26X42X8 | 2 |
| 11 | J625063021 | Grooved ball bearing 6302 | 1 |
| 12 | 90110011000 | BEARING SPACER TUBE REAR | 1 |
| 13 | J625062023 | BALL BEARING 6202 | 1 |
| 14 | 90109076000 | VALVE CPL. | 1 |
| 15 | 90610054000 | SPACER BUSHING KRT INSIDE | 1 |
| 16 | 90110059100 | DAMPER | 1 |
| 17 | 90210050000 | SPROCKET SUPPORT | 1 |
| 18 | 90810052000 | SPECIAL SCREW M8X48 | 6 |
| 19 | 95810051045 | Rear sprocket 45T | 1 |
| 20 | J625062050 | BALL BEARING 6205 | 1 |
| 21 | J760295207 | SHAFT SEAL RING 29X52X7 | 1 |
| 22 | J472042170 | CIRCLIP | 1 |
| 23 | 90510052000 | FLANGED NUT M8X1,25 | 6 |
| 24 | 90210085000 | Axle rear KT03 | 1 |
| 25 | 90109011001 | Fixation bearing spacer tube | 1 |
| 26 | 76910065118 | chain DID 118 roll | 1 |
| 27 | 90142021001 | SCREW FOR ABS | 3 |
| 28 | 90142021000 | SENSOR DISC REAR | 1 |
| 29 | 90110053000 | SPACER CHAIN WHEEL SUPPORT | 1 |
| 30 | 76910066000 | Rivet link chain DID 520 VP2-T | x |
| 98 | SPA2142453K118B | Drivetrain set 14Z/45Z | 1 |
| 99 | 90110015100 | REAR WHEEL REP. KIT 390 DUKE | 1 |

179011010

56405

* NEW PART

X ON DEMAND



| POS | PARTNUMBER | | PIECE |
|-----|---------------|-----------------------------------|-------|
| 1 | 94011075000 | Wiring Harness | 1 |
| 2 | 93011060100 | Horn | 1 |
| 3 | J025080123 | HH COLLAR SCREW M8X12 SW12 | 1 |
| 4 | 93541088000 | rollover sensor | 1 |
| 5 | J025060169 | HH COLLAR SCREW M6X16 SW8 | 2 |
| 7 | 28111096000 | Transil unit | 1 |
| 8 | 90511030000 | indicator relay | 1 |
| 9 | 28111034000 | Voltage regulator | 1 |
| 10 | J900000602600 | BOLT FLANGED-M6X1XL26XCL 10.9XBRT | 2 |
| 11 | 93041080050 | Cable | 1 |
| 12 | 93011059000 | Starter cable 6MM | 1 |
| 13 | 93011197000 | Ground wire | 1 |
| 14 | 93011058000 | Starter relais | 1 |
| 15 | 93011055060 | Band batterie | 1 |
| 16 | 93011055000 | Battery rubber holder | 1 |
| 17 | 93011054000 | BOX BATTERY | 1 |
| 18 | 93008018060 | Cross brace cover | 1 |
| 19 | 90611053000 | BATTERY 12V/8AH | 1 |
| 20 | 75011088010 | FUSE 10A 07 | 8 |
| 21 | 75011088015 | FUSE 15A 07 | 3 |
| 22 | 75011088030 | FUSE 30A | 2 |
| 23 | J005050123 | FLAT HEAD SCREW M5X12 PH | 3 |
| 24 | 90108050001 | CLIP NUT M5 | 3 |
| 25 | 93038091000 | Pigteil oil pressure switch | 1 |
| 26 | 93011056100 | Bracket battery band | 1 |
| 27 | 90611057000 | relay (interlock) | 4 |
| 28 | 93011026000 | protector | 1 |
| 29 | 93511084000 | PIGTAIL PH-3 FUEL PUMP | 1 |
| 30 | 93008078000 | Rubber grommet | 2 |
| 31 | 93042033000 | Cable earth ABS | 1 |
| 32 | J025060122 | Hex collar screw M6X12 | 2 |
| 33 | 90107088050 | WASHER 5,2X14X2MM | 1 |
| 34 | J912050166 | bolt socket-M5X0.8XL16XCL8.8XBRT | 1 |
| 35 | 93311058000 | Rubber damper starter relay | 1 |

229401110

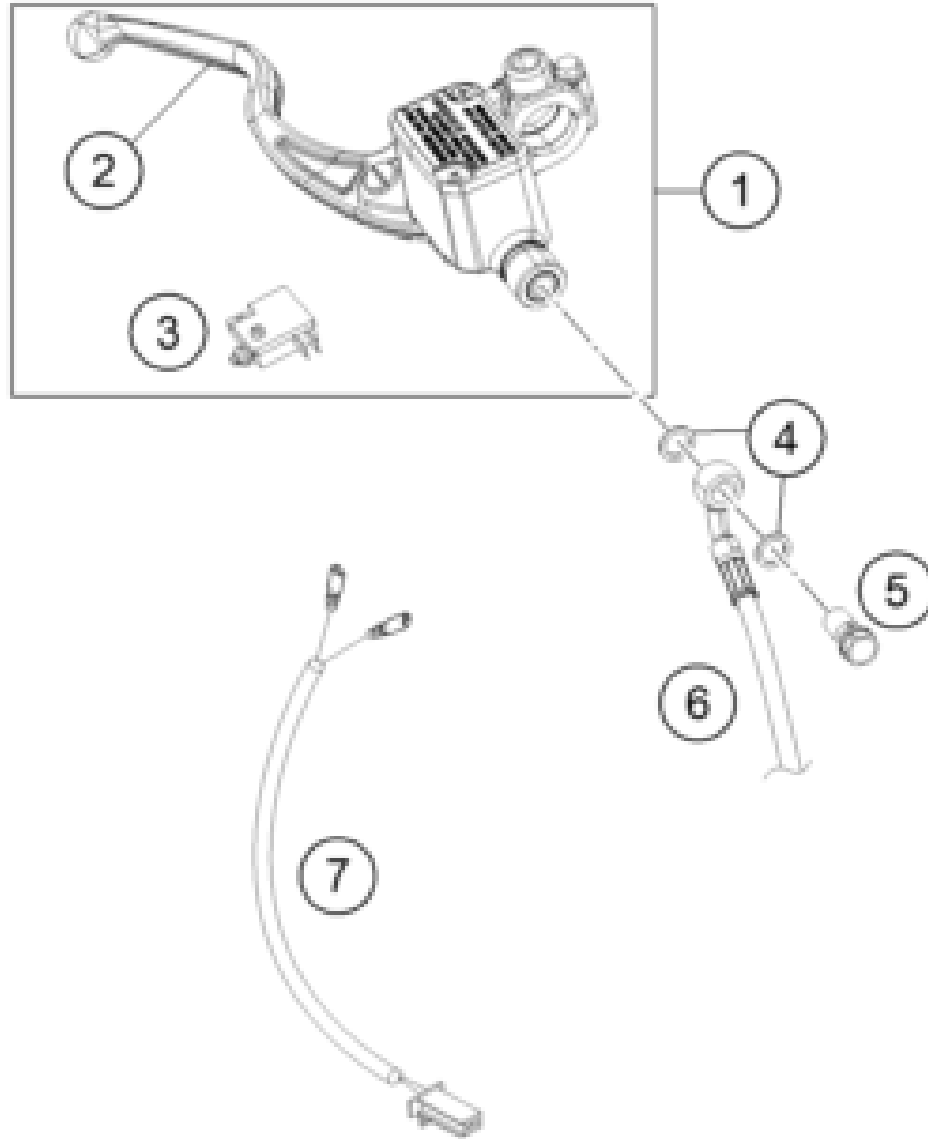
59680

* NEW PART

X ON DEMAND

FRONT BRAKE CONTROL

125 DUKE, white 2 2023 EU 2023



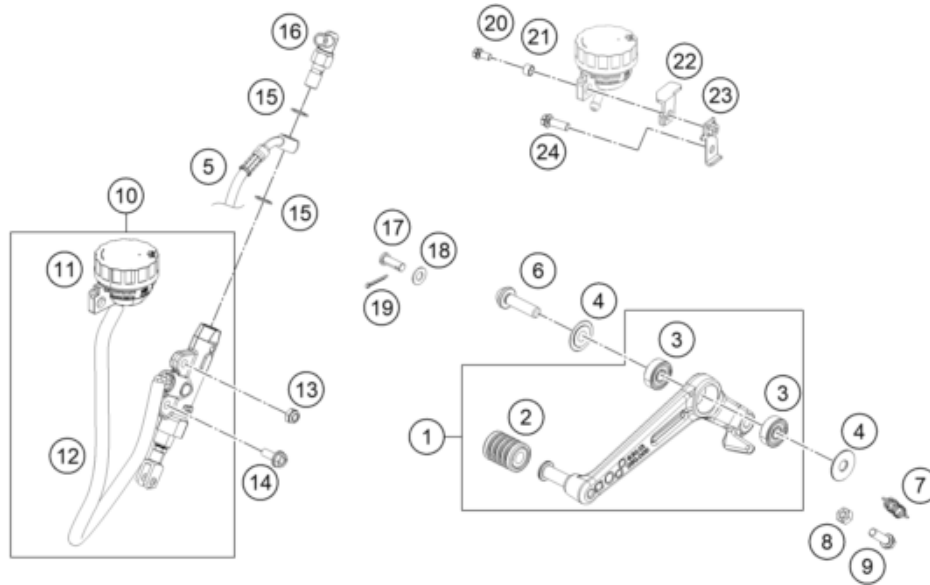
| POS | PARTNUMBER | | PIECE |
|-----|-------------|----------------------------------|-------|
| 1 | 93013001044 | Hand brake cylinder complete D13 | 1 |
| 2 | 93013002000 | Hand brake lever loose | 1 |
| 3 | 90111050000 | brake light switch, front | 1 |
| 4 | 90113026000 | COPPER GASKET | 2 |
| 5 | 90113013000 | BANJO SCREW | 1 |
| 6 | 93013035000 | Brake hose | 1 |
| 7 | 90111050050 | WIRE BRAKE LIGHT SWITCH FRONT | 1 |

179011310

49397

* NEW PART

X ON DEMAND



| POS | PARTNUMBER | | PIECE |
|-----|-------------|---------------------------------|-------|
| 1 | 93013050033 | Footbrake lever complete | 1 |
| 2 | 90134035000 | GEAR SHIFT LEVER RUBBER | 1 |
| 3 | J625060800 | BALL BEARING 608 | 2 |
| 4 | 90134031020 | thrust washer, gear shift lever | 2 |
| 5 | 93013037000 | Brake hose | 1 |
| 6 | 90134034300 | BOLT SHIFT LEVER silver | 1 |
| 6 | 90534034300 | BOLT SHIFT LEVER black | 1 |
| 7 | 90113052000 | brake pedal spring | 1 |
| 8 | J934060001 | nut hex thick | 1 |
| 9 | J025060203 | HH COLLAR SCREW M6X20 SW10 | 1 |
| 10 | 93013060000 | Rear master cylinder | 1 |
| 11 | 90113009000 | BRAKE FLUID RESERVOIR CPL. | 1 |
| 12 | 93313073000 | reservoir tube kit | 1 |
| 13 | J926060006 | nut hex flanged | 1 |
| 14 | 90130059000 | HH COLLAR SCREW M6X16 | 1 |
| 15 | 90113026000 | COPPER GASKET | 2 |
| 16 | 90111051000 | brake light switch, rear | 1 |
| 17 | 90113057000 | pin for fork end | 1 |
| 18 | 90103040001 | PLAIN WASHER 6,4X12X1 | 1 |
| 19 | J094020153 | splint pin 2x15mm | 1 |
| 20 | J025060181 | Hex collar screw M6X18 | 1 |
| 21 | 93035065020 | Spacer bushing | 1 |
| 22 | 93013068010 | Bracket, reservoir | 1 |
| 23 | 93013068000 | Sheet | 1 |
| 24 | J025050103 | HH-COLLAR SCREW M5X10 | 1 |

179011330

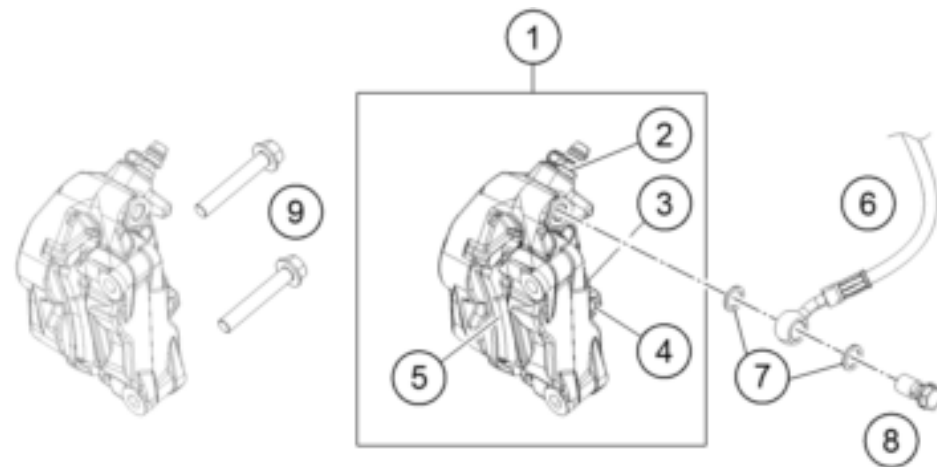
49399

* NEW PART

X ON DEMAND

FRONT BRAKE CALIPER

125 DUKE, white 2 2023 EU 2023



| POS | PARTNUMBER | | PIECE |
|-----|-------------|--------------------------------|-------|
| 1 | 94513015000 | CALIPER ASSEMBLY FRONT | 1 |
| 2 | 90113021000 | BLEEDER SCREW | 1 |
| 3 | 90113018000 | SPRING CLIP | 1 |
| 4 | 90113017000 | BOLT F. BRAKE PADS | 1 |
| 5 | 93813030044 | KIT FRONT BRAKE PAD WITH SHIM | 1 |
| 6 | 93013036000 | Brake hose | 1 |
| 7 | 90113026000 | COPPER GASKET | 2 |
| 8 | 90113013000 | BANJO SCREW | 1 |
| 9 | J01008050S | HH COLLAR SCREW M8X1X50 SW12SS | 2 |

179011360

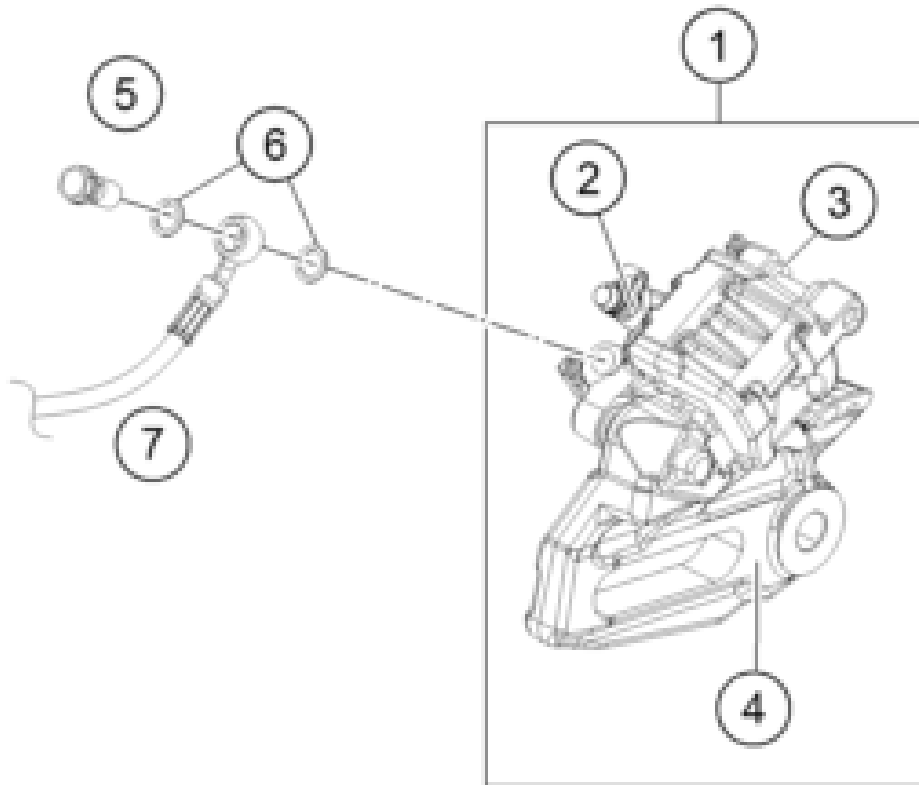
58077

* NEW PART

X ON DEMAND

REAR BRAKE CALIPER

125 DUKE, white 2 2023 EU 2023



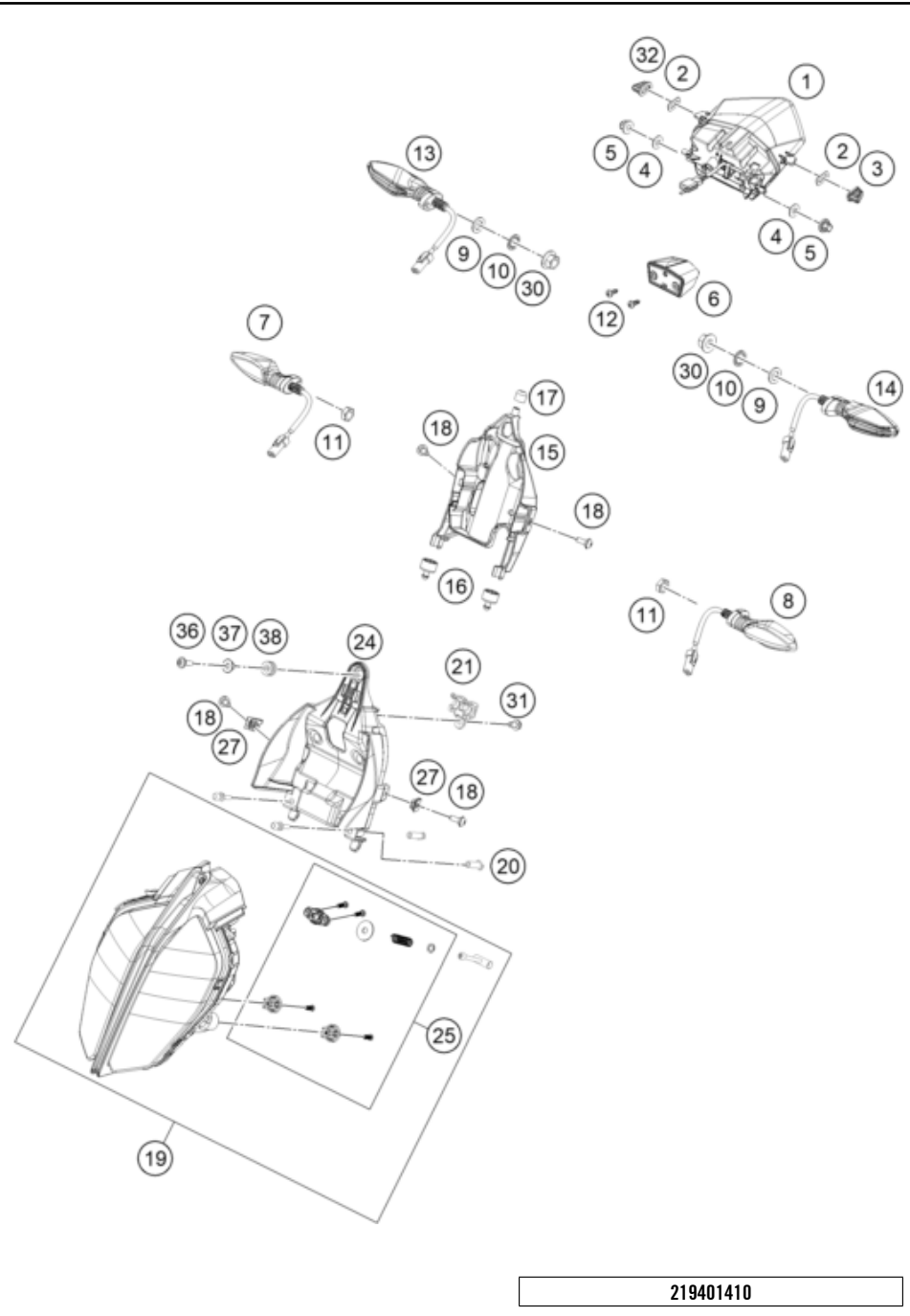
| POS | PARTNUMBER | | PIECE |
|-----|-------------|----------------------------|-------|
| 1 | 94513080000 | CALIPER ASSEMBLY REAR | 1 |
| 2 | 90113121000 | BLEEDER SCREW | 1 |
| 3 | 90113090000 | REAR BRAKE PADS - SET | 1 |
| 4 | 90113075000 | BRAKE CALIPER SUPPORT REAR | 1 |
| 5 | 90113013000 | BANJO SCREW | 1 |
| 6 | 90113026000 | COPPER GASKET | 2 |
| 7 | 93013038000 | Brake hose | 1 |

179011390

58078

* NEW PART

X ON DEMAND

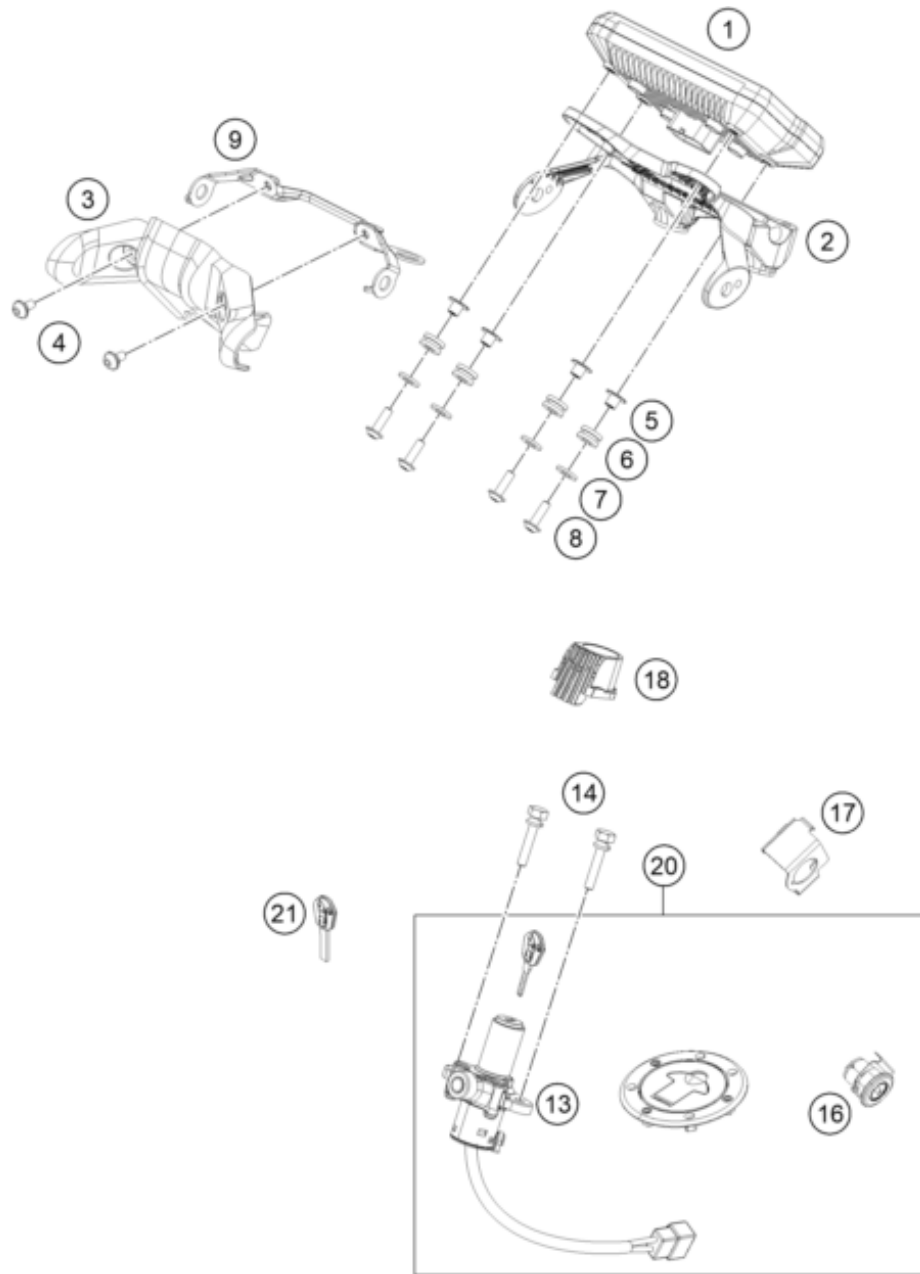


| POS | PARTNUMBER | | PIECE |
|-----|--------------|------------------------------------|-------|
| 1 | 93014040100 | lamp tail MY17 | 1 |
| 2 | 93014040040 | Washer | 2 |
| 3 | 93014040020 | Rubber grommet tail light left | 1 |
| 4 | 93014040030 | Washer | 2 |
| 5 | 93014040010 | Rubber bushing | 2 |
| 6 | 90114047000 | LICENSE PLATE ILLUMINATION | 1 |
| 7 | 93014026000 | Indicator front rh | 1 |
| 8 | 93014025000 | Indicator front lh | 1 |
| 9 | J125100003 | WASHER PLAIN 10,5 | 2 |
| 10 | J06797100183 | Toothed washer, M10 | 2 |
| 11 | J934100006 | Nut hex thin-M10x1.25 | 2 |
| 12 | J981420133 | SHEET MET.SCR. DIN 7981 4,2X13 | 2 |
| 13 | 90514036100 | FLASHER REAR R/S | 1 |
| 14 | 90514035100 | FLASHER REAR L/S | 1 |
| 15 | 93014013000 | Support | 1 |
| 16 | 93014015000 | Rubber bushing | 2 |
| 17 | 93014014000 | Rubber bushing | 1 |
| 18 | 93008040000 | Screw M6X1X13 | 4 |
| 19 | 94314001044 | lamp head | 1 |
| 20 | 93014021000 | Insert M6 LED HL holder | 2 |
| 21 | 93014020000 | Holder LED HL adjustment mechanism | 2 |
| 24 | 93014019100 | Holder headlamp LED | 1 |
| 25 | 93014099000 | Kit LED lamp Bush | 1 |
| 27 | 93008084010 | Range change metal nut M6 | 2 |
| 30 | J934100001 | Hex nut, M10 | 2 |
| 31 | 93008020060 | Screw M6X1X9 | 1 |
| 32 | 93014049000 | Rubber grommet tail light right | 1 |
| 36 | 90508006003 | AH SCREW M6X1X20 | 1 |
| 37 | 93014018100 | Collar head lamp holder MTG | 1 |
| 38 | 93014017000 | Rubber bushing | 1 |

219401410

56401

* NEW PART X ON DEMAND



| POS | PARTNUMBER | | PIECE |
|-----|-------------|--------------------------------------|-------|
| 1 | 94314069000 | Dashboard | 1 |
| 2 | 93014064000 | Holder handsbar CUM TFT speedo | 1 |
| 3 | 93014064100 | Back cover TFT holder | 1 |
| 4 | 93008020060 | Screw M6X1X9 | 2 |
| 5 | 93014062010 | Collar TFT speedo small | 4 |
| 6 | 90507040001 | RUBBER SLEEVE | 4 |
| 7 | 93308015010 | Washer, license plate holder support | 4 |
| 8 | J031060183 | Roundhead screw M5X18 | 4 |
| 9 | 93014064200 | Bracket TFT Cover black | 1 |
| 13 | 93011066044 | Ignition lock complete | 1 |
| 14 | 93011064100 | Special screw for ignition lock | 2 |
| 16 | 90107050050 | SEAT LOCK | 1 |
| 17 | 93007051000 | Retaining bracket | 1 |
| 18 | 93011066010 | Positioning rubber | 1 |
| 20 | 94311066044 | Lock Set | 1 |
| 21 | 90111067100 | BLANK KEY 125/200 DUKE | x |
| 21 | 90111067000 | KEY | 1 |

219401431

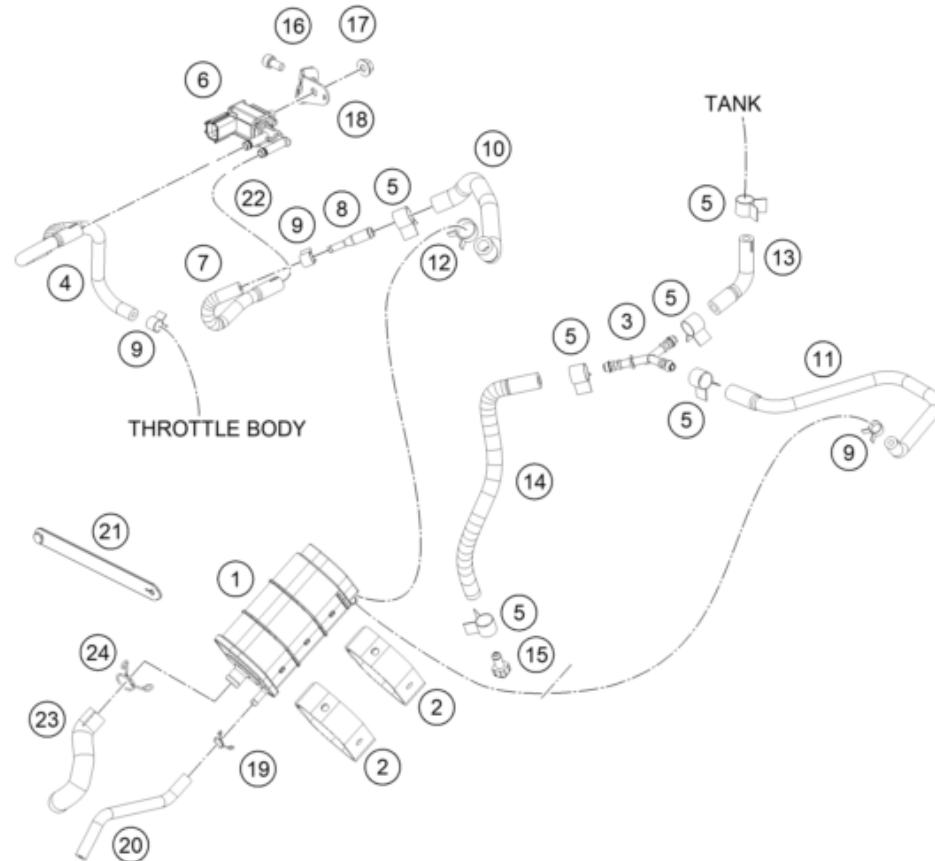
63814

* NEW PART

X ON DEMAND

EVAPORATIVE CANISTER

125 DUKE, white 2 2023 EU 2023



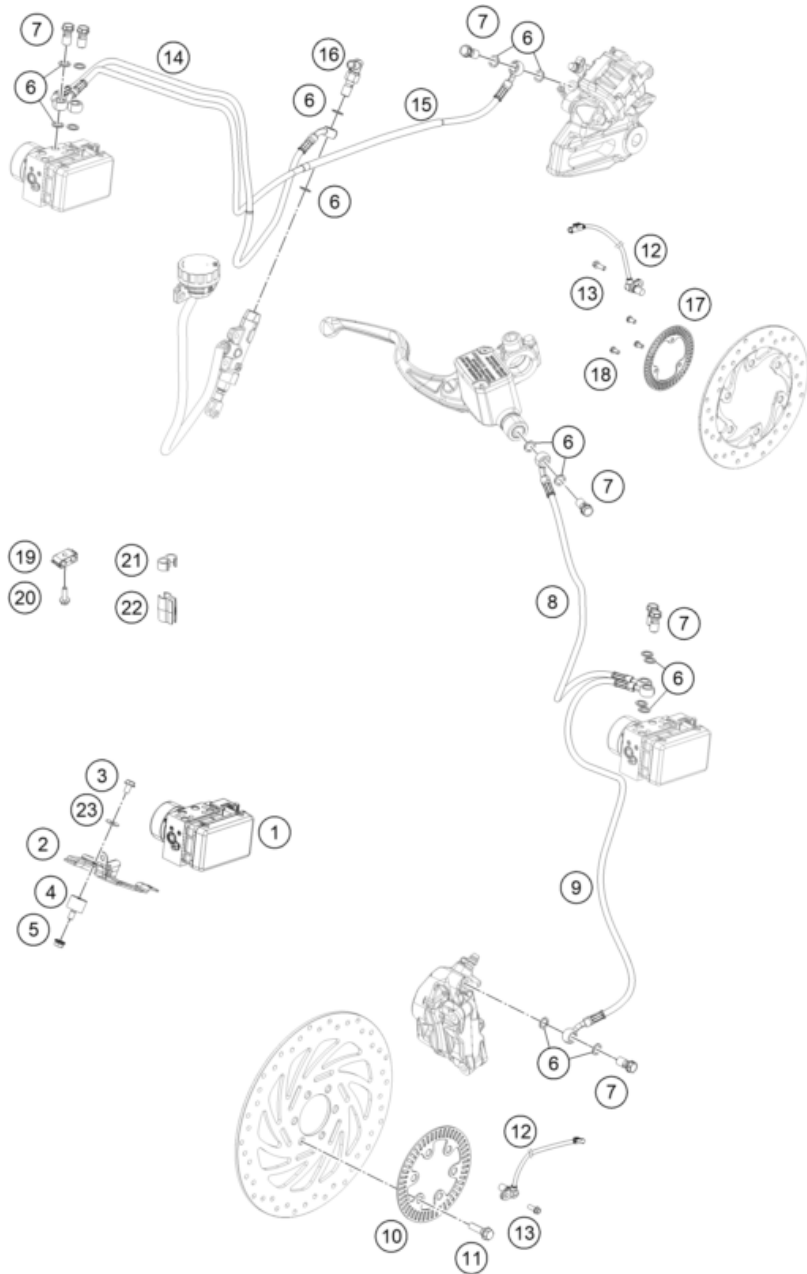
| POS | PARTNUMBER | | PIECE |
|-----|---------------|----------------------------|-------|
| 1 | 93015001000 | Activated carbon filter | 1 |
| 2 | 93015003000 | Rubber band | 2 |
| 3 | 90507015000 | CONNECTOR Y SHAPE | 1 |
| 4 | J600000414000 | Hose PV-DKK | 1 |
| 5 | 90607017003 | SPRING BAND CLAMP D13 | 6 |
| 6 | 90607830000 | Valve purge | 1 |
| 7 | J600000412000 | Hose Y-PV | 1 |
| 8 | 90207016004 | CONNECTOR TUBE EVAP | 1 |
| 9 | 90607017002 | CLAMP D9 | 3 |
| 10 | J600000813700 | Hose ACF-Y | 1 |
| 11 | 93015017000 | Y connection | 1 |
| 12 | 90607017001 | SPRING BAND CLAMP 15X10 | 1 |
| 13 | 93015026000 | Pre-formed hose | 1 |
| 14 | 90515023000 | TUBE CONNECTOR TO PLUG | 1 |
| 15 | 90515011000 | PLUG FUEL DRAIN | 1 |
| 16 | J912060123 | hexagon socket screw M6X12 | 1 |
| 17 | J926060006 | nut hex flanged | 1 |
| 18 | 94115032050 | BRACKET VALVE PURGE | 1 |
| 19 | 90107013008 | CLAMP | 1 |
| 20 | 93015029000 | Hose active carbon filter | 1 |
| 21 | J330000514900 | Cable ties | 2 |
| 22 | J310000801300 | Hose clamp 12.5 x 8 SW | 2 |
| 23 | J600001108800 | Drain hose | 1 |
| 24 | J310000201300 | clamp | 1 |

219401510

56024

* NEW PART

X ON DEMAND



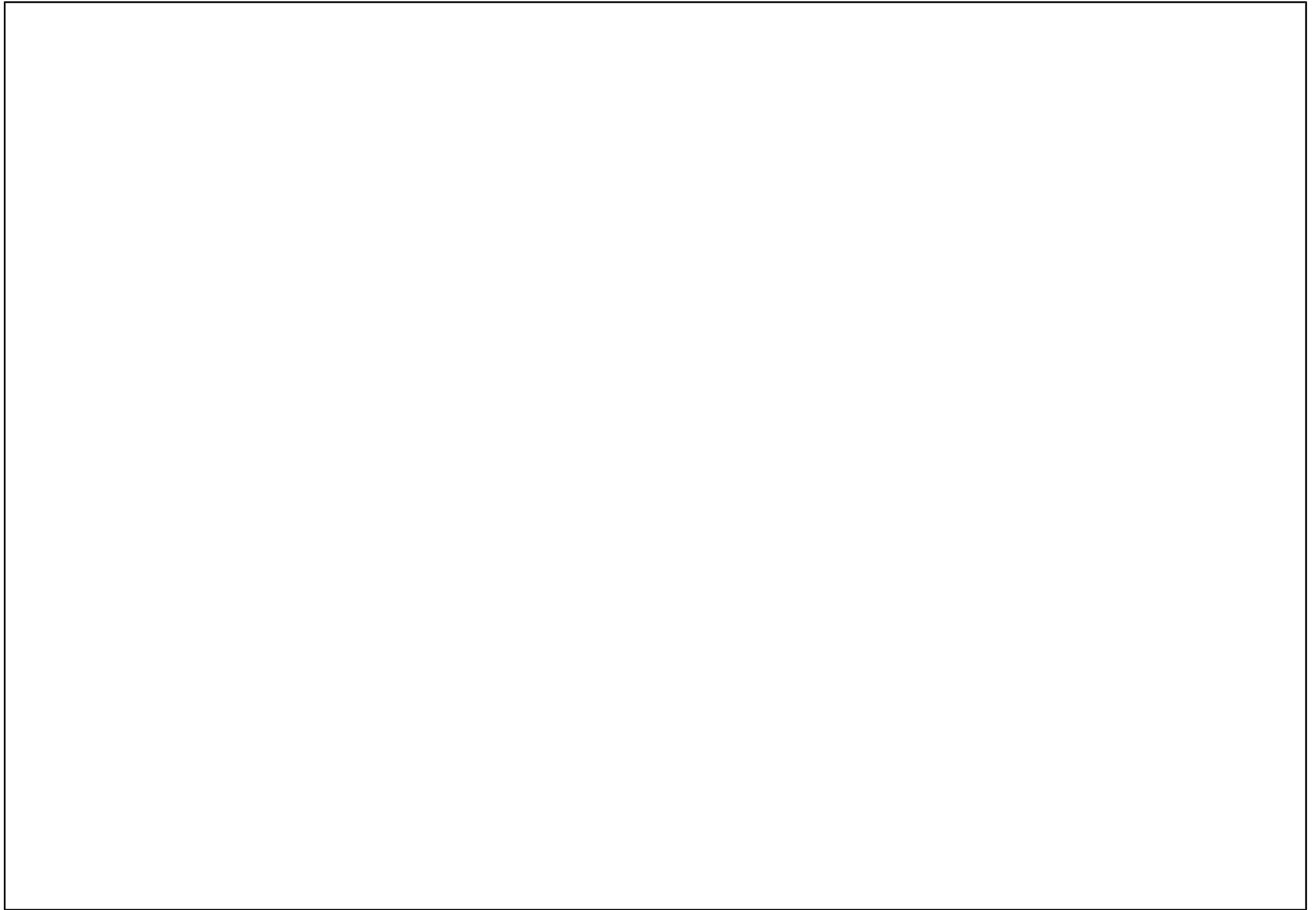
| POS | PARTNUMBER | | PIECE |
|-----|-------------|--------------------------------|-------|
| 1 | 94242031044 | Unit ABS WET | 1 |
| 2 | 93041030020 | Retaining bracket | 1 |
| 3 | J026060083 | HH COLLAR SCREW M6X8 SW10 | 3 |
| 4 | 90135001001 | silentbloc M6 | 3 |
| 5 | J926060000 | FLANGED NUT M6 WS10 SELF LOCK. | 3 |
| 6 | 90113026000 | COPPER GASKET | 16 |
| 7 | 90113013000 | BANJO SCREW | 7 |
| 8 | 93013035000 | Brake hose | 1 |
| 9 | 93013036000 | Brake hose | 1 |
| 10 | 93042020000 | SENSORRING ABS | 1 |
| 11 | 90110062000 | SPECIAL SCREW M8X25 SELF LOCK. | 6 |
| 12 | 90142125000 | ABS SENSOR | 2 |
| 13 | J028060166 | BOLT M6X16 | 2 |
| 14 | 93013037000 | Brake hose | 1 |
| 15 | 93013038000 | Brake hose | 1 |
| 16 | 90111051000 | brake light switch, rear | 1 |
| 17 | 90142021000 | SENSOR DISC REAR | 1 |
| 18 | 90142021001 | SCREW FOR ABS | 3 |
| 19 | 93813024000 | brake hose clamp | 3 |
| 20 | J025050183 | BOLT M5X18 | 1 |
| 21 | 93813035000 | CLAMP SENSOR CABLE | 4 |
| 22 | 93813147000 | CLAMP FOR BRAKE HOSE | 2 |
| 23 | J125060003 | PLAIN WASHER 6,5X13X1 | 3 |

179014210

56402

* NEW PART

X ON DEMAND



KTM.COM



F4003W2EN

KTM Sportmotorcycle GmbH
5230 Mattighofen, Austria
www.ktm.com

KTM POWERPARTS

KTM POWERWEAR

KTM ORIGINAL SPARE PARTS

