

# 390 DUKE, orange 2024 EU 2024

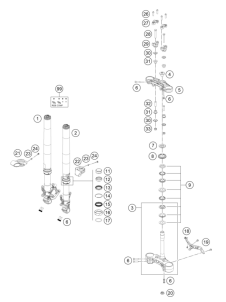
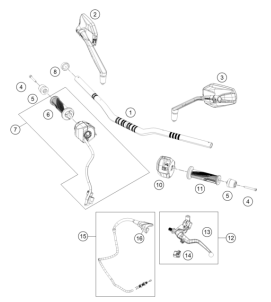
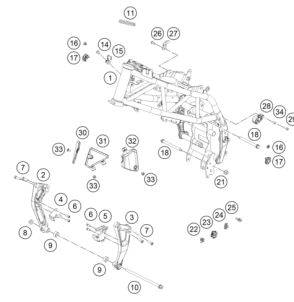
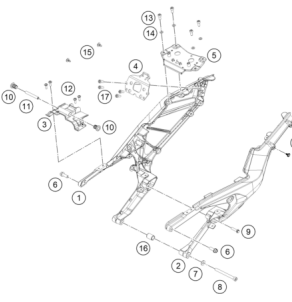
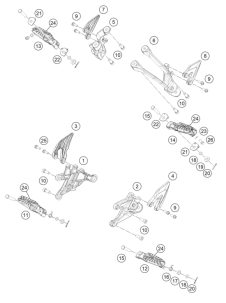

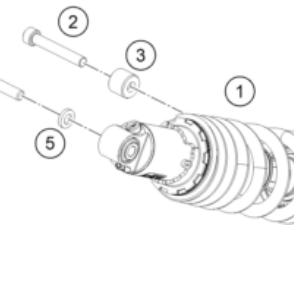
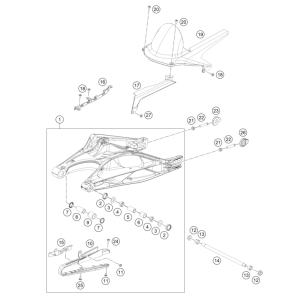
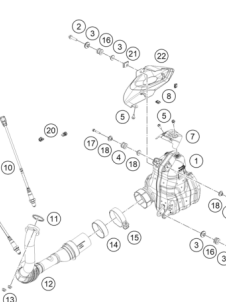
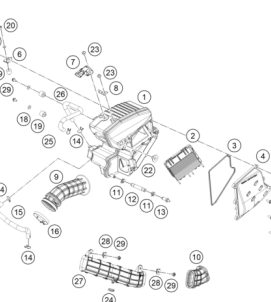
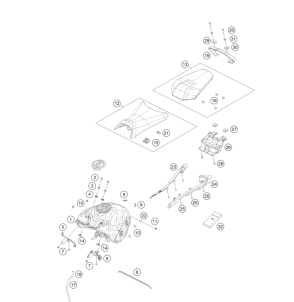
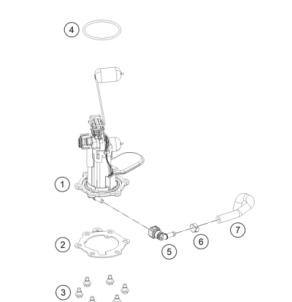
ART.-NR.: F4303X1EN

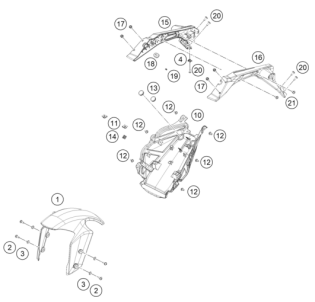
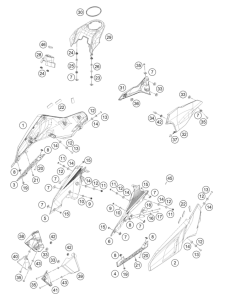
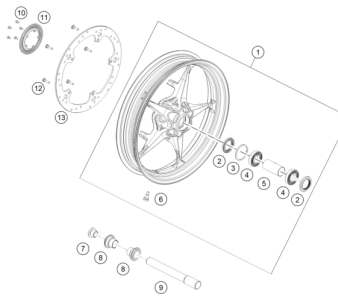
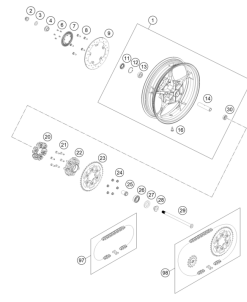
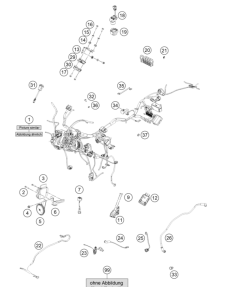
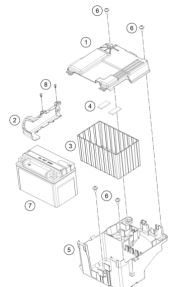
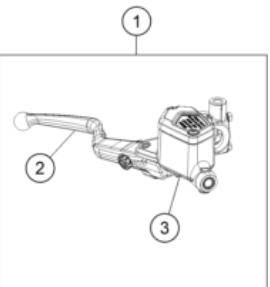
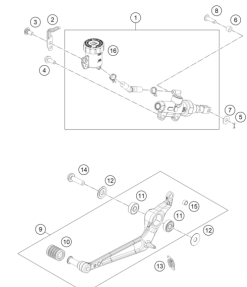
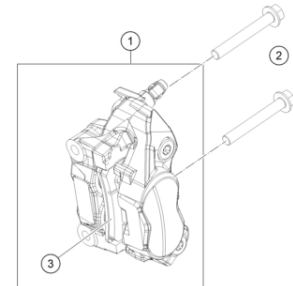
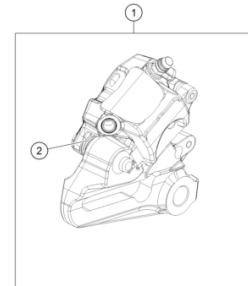
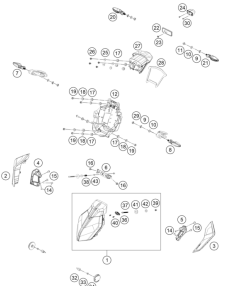
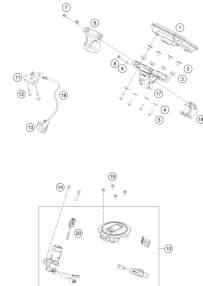


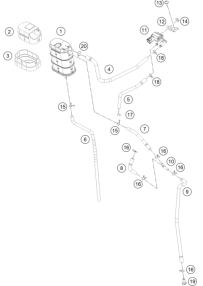
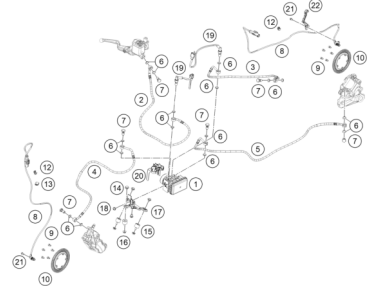


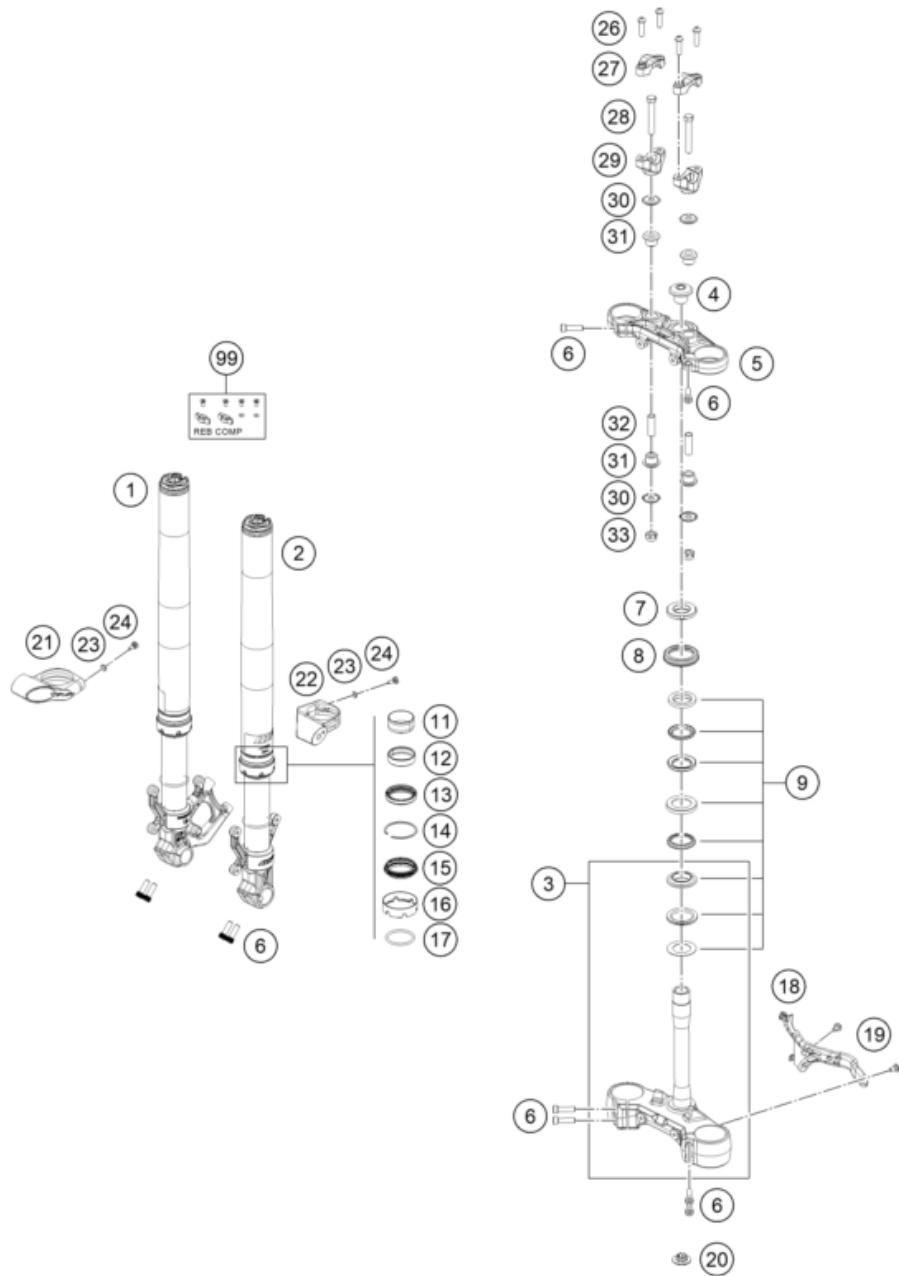
All information contained is without obligation. KTM Sportmotorcycle GmbH particularly reserves the right to modify any equipment, technical specifications, prices, colors, shapes, materials, services, service work, constructions, equipment and the like so as to adapt them to local conditions or to cancel any of the above items, all without previous announcement and without giving reasons. KTM may stop manufacturing certain models without previous notice. KTM shall not be held liable for any deviations of availability and/or ability to deliver, illustrations, descriptions, printing and/or other errors. The illustrated models partly contain extra equipment, which is not applied to standard models.

© by KTM Sportmotorcycle GmbH, Mattighofen AUSTRIA; All rights reserved; Reprint, also in extracts, with written allowance of KTM Sportmotorcycle GmbH, Mattighofen only.

<p><b>FRONT FORK, TRIPLE CLAMP</b></p>  <p><b>4</b></p>	<p><b>HANDLEBAR, CONTROLS</b></p>  <p><b>5</b></p>	<p><b>FRAME</b></p>  <p><b>6</b></p>	<p><b>SUBFRAME</b></p>  <p><b>7</b></p>
<p><b>FOOTPEGS</b></p>  <p><b>8</b></p>	<p><b>SIDE / CENTER STAND</b></p>  <p><b>9</b></p>	<p><b>SHOCK ABSORBER</b></p>  <p><b>10</b></p>	<p><b>SWING ARM</b></p>  <p><b>11</b></p>
<p><b>EXHAUST SYSTEM</b></p>  <p><b>12</b></p>	<p><b>AIR FILTER</b></p>  <p><b>13</b></p>	<p><b>TANK, SEAT</b></p>  <p><b>14</b></p>	<p><b>FUEL PUMP</b></p>  <p><b>15</b></p>

<p><b>MASK, FENDERS</b></p>  <p><b>16</b></p>	<p><b>COVER</b></p>  <p><b>17</b></p>	<p><b>FRONT WHEEL</b></p>  <p><b>19</b></p>	<p><b>REAR WHEEL</b></p>  <p><b>20</b></p>
<p><b>WIRING HARNESS</b></p>  <p><b>21</b></p>	<p><b>BATTERY</b></p>  <p><b>23</b></p>	<p><b>FRONT BRAKE CONTROL</b></p>  <p><b>24</b></p>	<p><b>REAR BRAKE CONTROL</b></p>  <p><b>25</b></p>
<p><b>FRONT BRAKE CALIPER</b></p>  <p><b>26</b></p>	<p><b>REAR BRAKE CALIPER</b></p>  <p><b>27</b></p>	<p><b>LIGHTING SYSTEM</b></p>  <p><b>28</b></p>	<p><b>INSTRUMENTS / LOCK SYSTEM</b></p>  <p><b>30</b></p>

<p><b>EVAPORATIVE CANISTER</b></p>  <p><b>31</b></p>	<p><b>ABS</b></p>  <p><b>32</b></p>		



249630110

POS	PARTNUMBER		PIECE
1	96301002000	Rebound damping cartridge	1
2	96301001000	Compression damping cartridge	1
3	96301031032C1	Bottom triple clamp 32 mm	1
4	J900002202000	screw socket M22x1.5	1
5	96301034032C1	BRACKET UPPER JP151052 BLCK MTT ANODZD	1
6	90501045000	AH SCREW M8X1.25X30	10
7	90101036100	Adjusting ring steering head	1
8	90101086000	protection cap	1
9	90101080044	STEERING HEAD BEARING-KIT	1
11	43578016	GUIDE BUSH UPPER	2
12	43578014	GUIDE BUSH LOWER	2
13	43570623	Shaft seal SKF 43x52,9x11,4 black	2
14	43578044	CIRCLIP	2
15	43570723	Dirt scarper SKF 43mm red	2
16	43578206	Fork protection ring d43	2
17	43578219	O-ring 40x2,5 VMQ70 red ISO 3601	2
18	96313025000	Brake hose guide	1
19	93008020060	Screw M6X1X9	2
20	90501046000	PLUG STEERING TUBE	1
21	96314033000	indicator holder front right	1
22	96314034000	indicator holder front left	1
23	J125070002	WASHER PLAIN-ID7.5XOD11.5XT1XBLK	2
24	J900000501500	screw button head step M5x0.8	2
26	J912080293	Bolt socket-M8X1.25XI 29Xblack	4
27	95801038000C1	HANDLE HOLDR UPPR JG151043 PC BLCK MTT	2
28	J900001006500	bolt M10x65	2
29	96301039000C1	HB HOLDR DUKE JP151073 BLK MT PEARL BLST	2
30	90101042000	WASHER 10,5X32X2	4
31	90101040000	RUBBER BUSHING	4
32	90101041000	SPACER TUBE	2
33	J982101253	SELF L. NUT M10X1,25 H11 WS17	2
99	RP10021	Adjuster kit screw cap	x

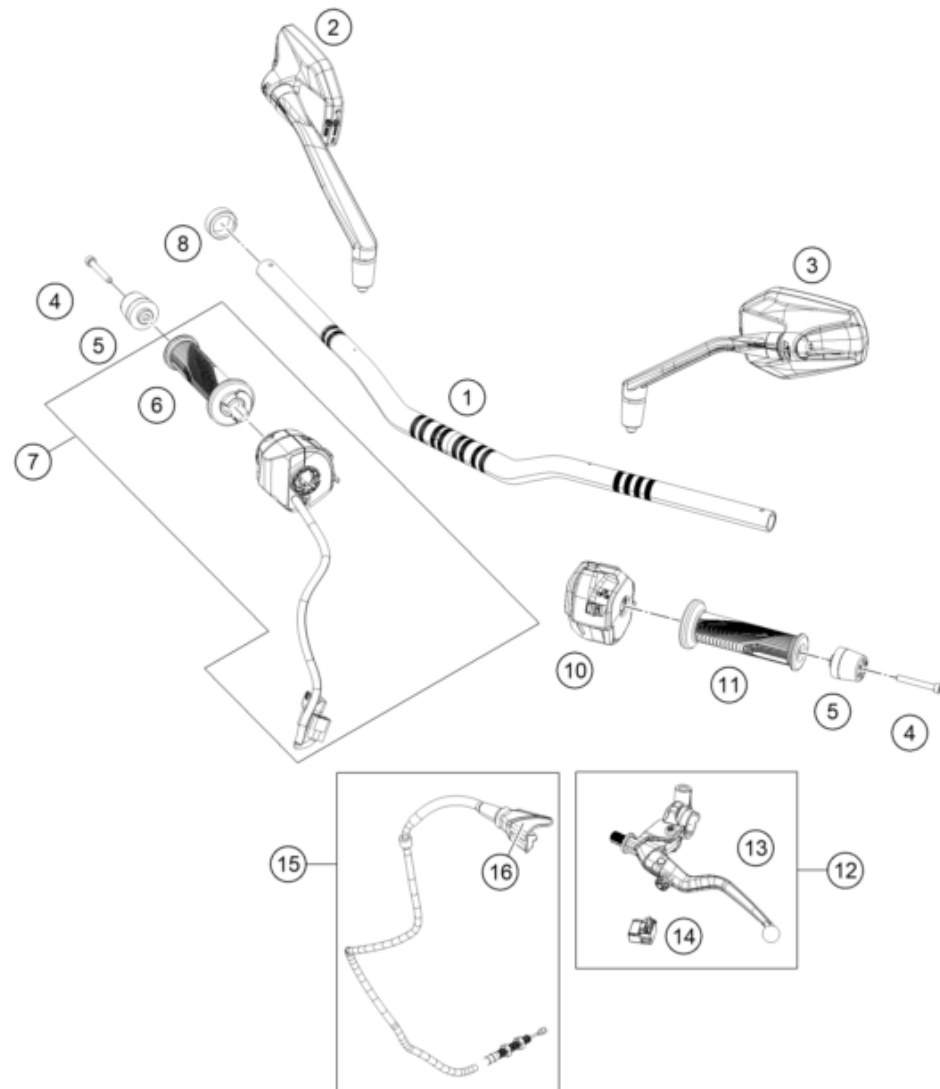
68225

\* NEW PART

X ON DEMAND

# HANDLEBAR, CONTROLS

390 DUKE, orange 2024 EU 2024



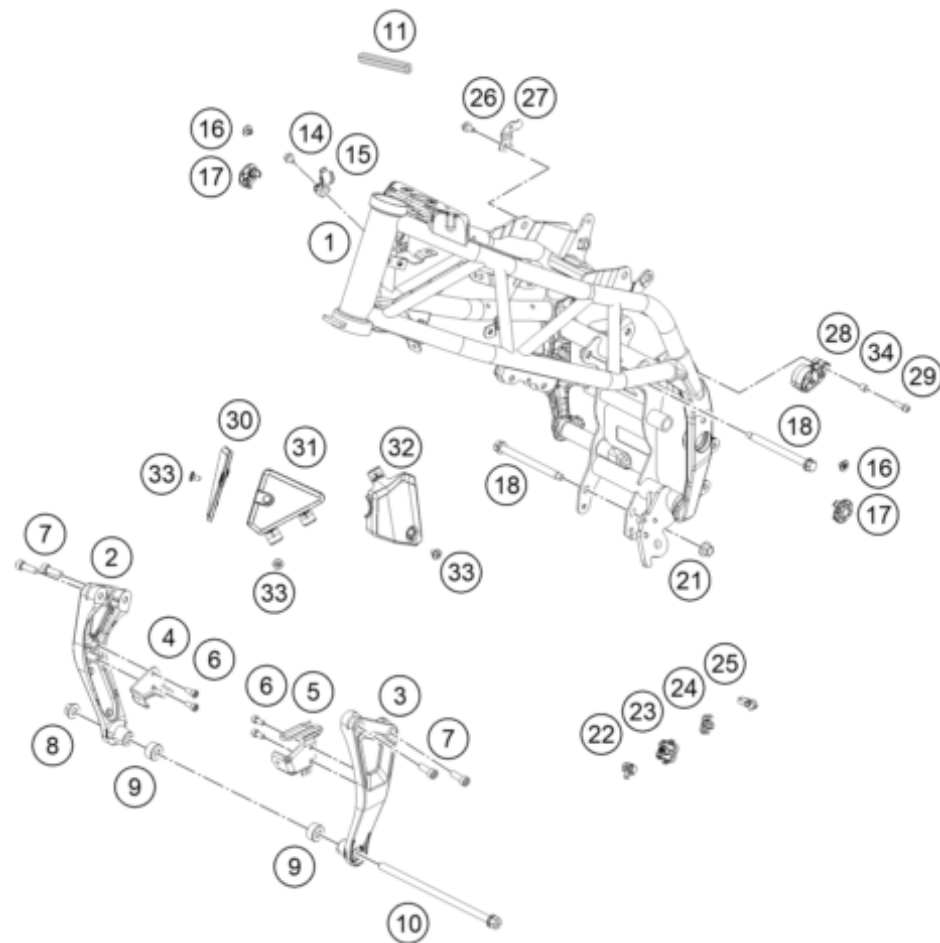
POS	PARTNUMBER		PIECE
1	96302001000	Handlebar	1
2	96312041000	mirror right	1
3	96312040000	mirror left	1
4	J900000604504	bolt socket M6x1	2
5	96302004001	handlebar weight	2
6	96302010033	GRIP ASSEMBLY RH	1
7	96311012044	E-Throttle set w/o gripheater	1
8	96313001060	spacer brake cylinder	1
10	96311070000	Handlebar Switch Left	1
11	96302039000	grip left	1
12	96302031000	clutch lever assembly	1
13	96302042000	clutch lever	1
14	94811049000	clutch switch	1
15	96302090000	cable clutch	1
16	93802016000	BOOT CLUTCH LEVER	1

249630210

68222

\* NEW PART

X ON DEMAND



POS	PARTNUMBER		PIECE
1	96303001000EB	FRAME ASSLY FRONT JP111113 ELE.ORG GLOSS	1
2	96303006000C1	ENGINE HANGER RH JP113410 BLK MATT	1
3	96303005000C1	ENGINE HANGER LH JP113409 BLK MATT	1
4	96335001011	radiator bracket right	1
5	96335001010	radiator bracket left	1
6	J912060146	Hexagon socket screw, M6X14	4
7	J900000802503	bolt socket M8x1.25	4
8	J910001001001	nut hex flanged M10x1.25	1
9	J800001001200	spacer	2
10	J900001022400	bolt flanged M10x224	1
11	96303001020	Beading	3
14	J900000600802	bolt flanged M6x1	1
15	96303099000	hose bracket	1
16	90108023100	Clip	2
17	96303088000	PLUG	2
18	J900001011000	bolt flanged M10x112	2
21	90803009000	NUT-U-M10X1,25XA/F 17	1
22	J340001000700	plastic cable clip 2x6,5	1
23	95813046000	Hose guide	1
24	94513026000	Brake hose bracket	1
25	93803001022	Cable tie	1
26	J900000601205	bolt flanged M6x12	1
27	96303001030	BRACKET COVER SIDE RH	1
28	96303070000	GUARD CHAIN	1
29	J900000602100	screw button head M6x1	1
30	96303083020	frame cover right front	1
31	96303083010	frame cover left front	1
32	96303083030	frame cover left	1
33	J900000601207	SCREW SOCKET STEP M6X1	3
34	J800000601200	SLEEVE	1

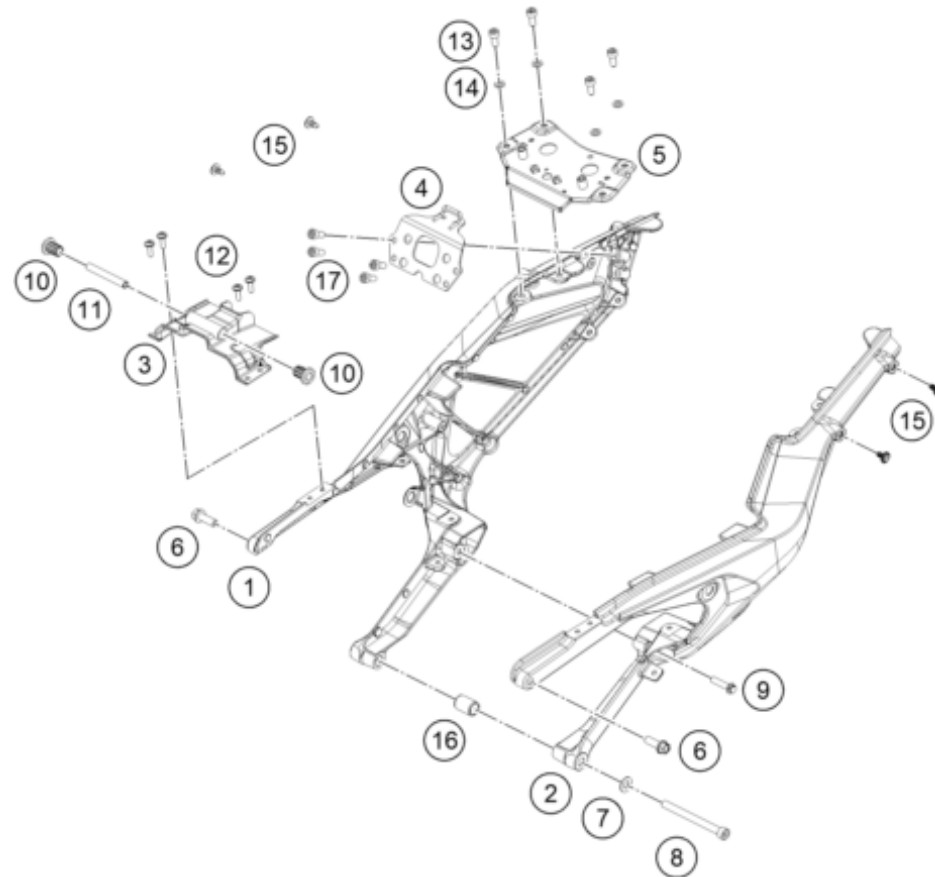
249630310

68214

\* NEW PART

X ON DEMAND





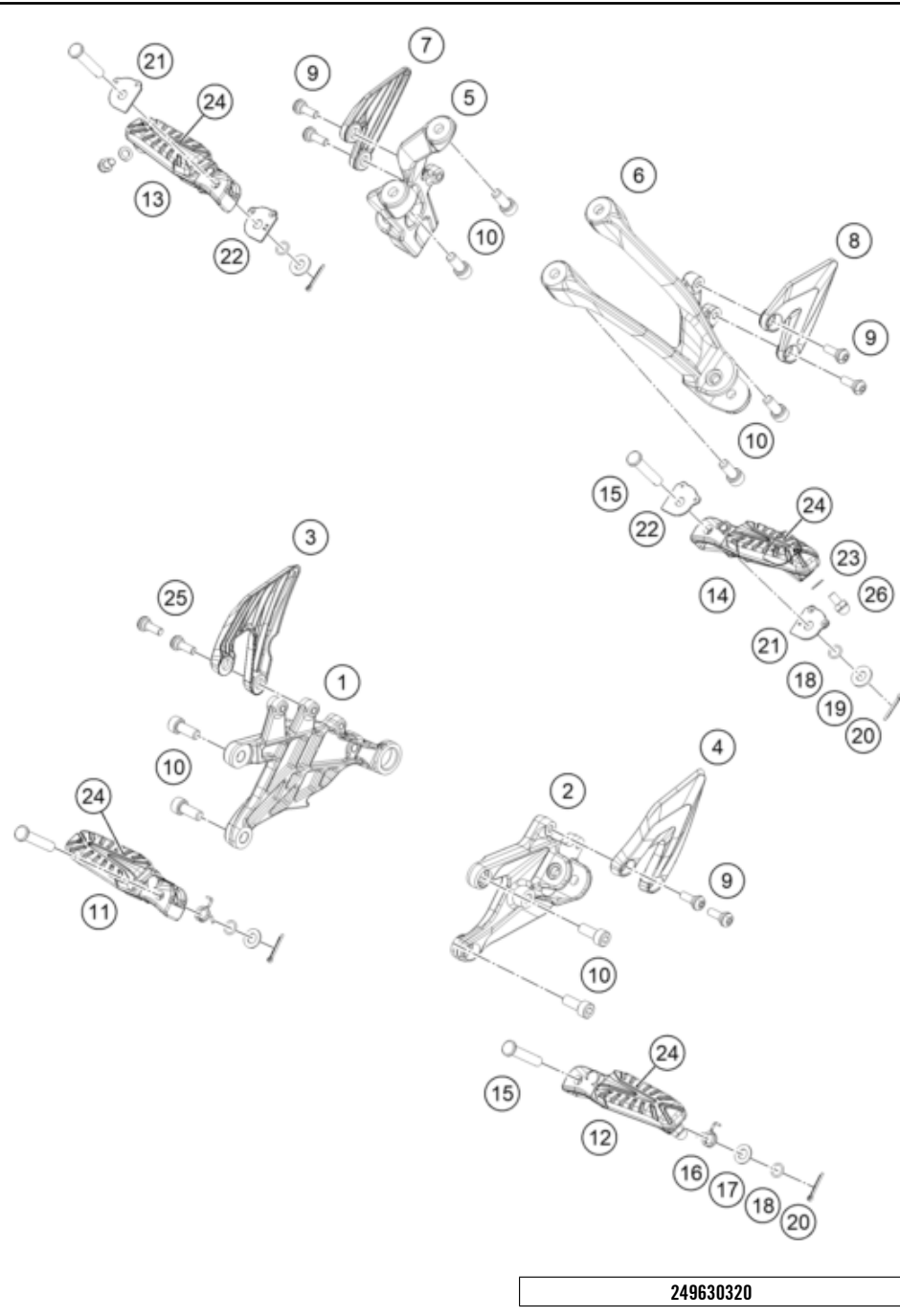
POS	PARTNUMBER		PIECE
1	96303002002C1	SUB FRAME RR RH JP111122 BLK MT TEXTURED	1
2	96303002001C1	SUB FRAME RR LH JP111121 BLK MT TEXTURED	1
3	96303002060	fuel tank bracket rear	1
4	96303002080	rear subframe bracket	1
5	96303002071	lower subframe mounting	1
6	90130028000	FLANGED BOLT M10X1,25X30	2
7	J690001100200	washer plain	1
8	J900001011800	bolt socket M10x1.25	1
9	J900000803501	bolt flanged M8x1,25	1
10	J650001601500	grommet tank mount	2
11	J800000707400	tank mount bushing	1
12	J900000601900	AH oval head screw M6x19	4
13	J912060181	bolt master kac	4
14	J690000620000	WASHER PLAIN	4
16	90130003007	DOWEL D14	1
17	90103007000	Bolt Socket Head M8	4

249630315

68215

\* NEW PART

X ON DEMAND

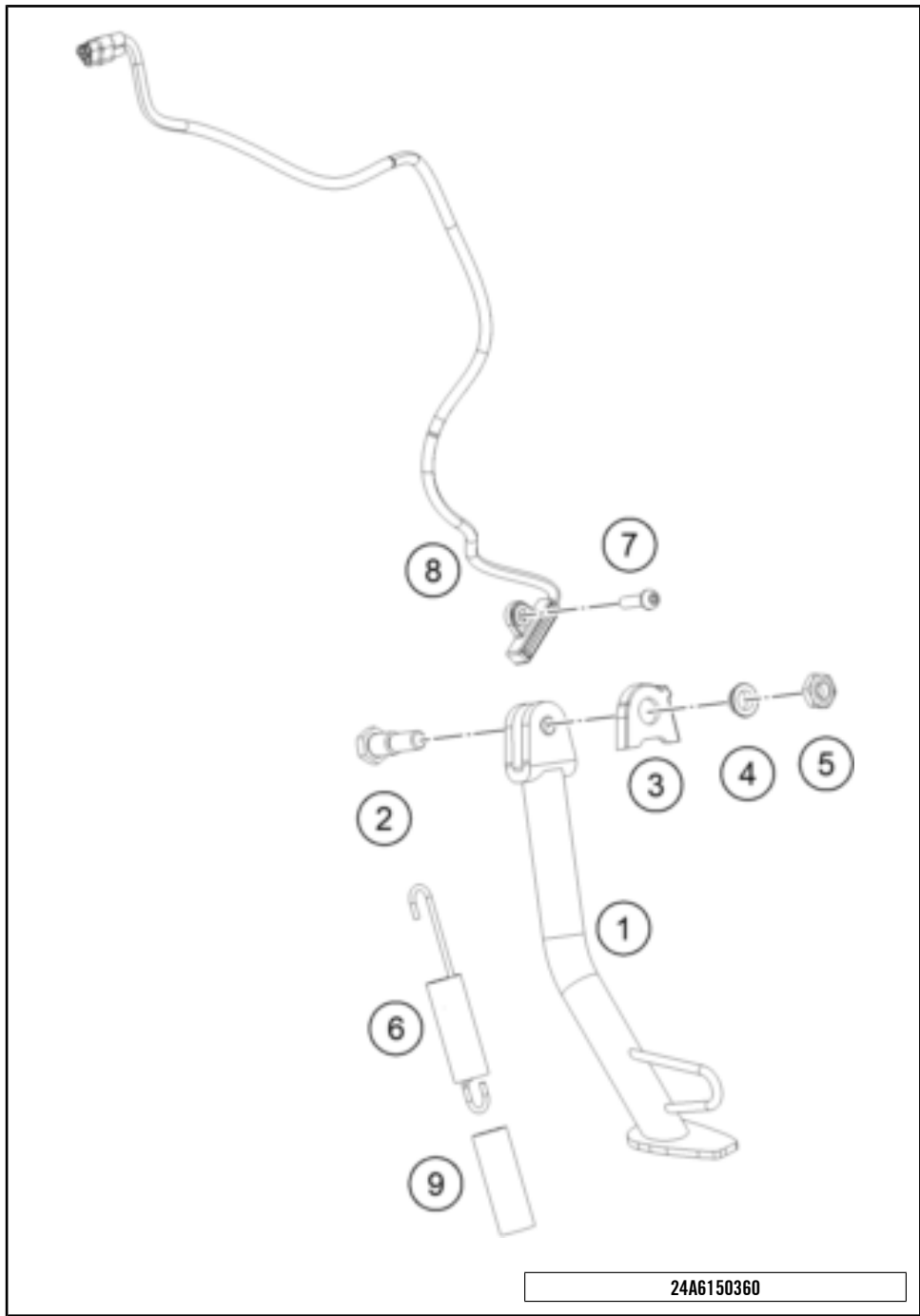


POS	PARTNUMBER		PIECE
1	96303039000C1	HOLDER STEP RH BLACK MATT ANODZ JP113063	1
2	96303038000C1	HOLDER STEP LH BLACK MATT ANODZ JP113075	1
3	96303039020	Heelguard right driver	1
4	96303038020	Heelguard left driver	1
5	96303049000C1	PILLION HOLDR RH BLCK MAT ANODZ JP113066	1
6	96303048000C1	PILLION HOLDR LH BLCK MAT ANODZ JP113065	1
7	96303049010	pillion heel guard right	1
8	96303048010	pillion heel guard left	1
9	J900000601805	SCREW BUTTON HEAD STEP M6X1	6
10	J900000802003	bolt socket M8x1.25	8
11	93003141033	Front footpeg compl. right	1
12	93003140033	Front footpeg compl. left	1
13	93003151033	Rear footpeg compl. right	1
14	93003150033	Rear footpeg compl. left	1
15	28103044000	Pin for front footpeg	4
16	93003042000	Footpeg spring	2
17	90503048010	WASHER D=8,5	2
18	J770009015	O-RING 9X1,5	4
19	J125080006	Washer M8	2
20	J094020186	pin cotter-dia. 2.5x1 18	4
21	96303037010	PLATE LOCK LOWER	2
22	96303037020	PLATE LOCK UPPER	2
23	J690000600101	WASHER PLAIN SMALL	4
24	93003140010	Footpeg rubber	4
25	J900000602101	SCREW BUTTON HEAD STEP M6X1	2
26	J029060103S	CAP SCREW M6X10 SS	4

249630320

68216

\* NEW PART X ON DEMAND



POS	PARTNUMBER		PIECE
1	96303023000	Side stand	1
2	90103027000	SCREW F. SIDE STAND	1
3	96303029000	Side stand sensor retaining plate	1
4	J800001000600	collar	1
5	J910001000801	NUT U M10X1.25	1
6	96303024000	Side stand spring	1
7	J900000602100	screw button head M6x1	1
8	96311045000	side stand sensor	1
9	94103024060	Side stand spring protection	1

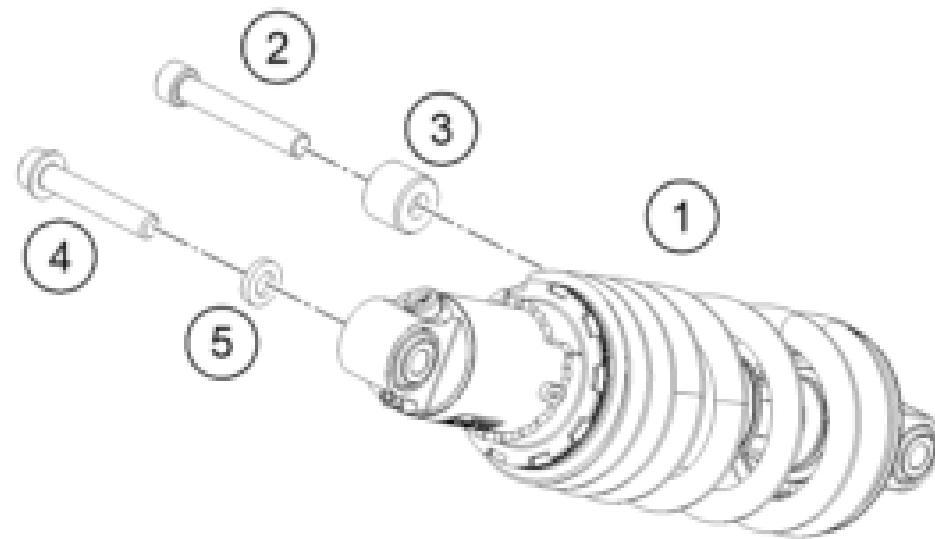
64084

\* NEW PART

X ON DEMAND

# SHOCK ABSORBER

390 DUKE, orange 2024 EU 2024



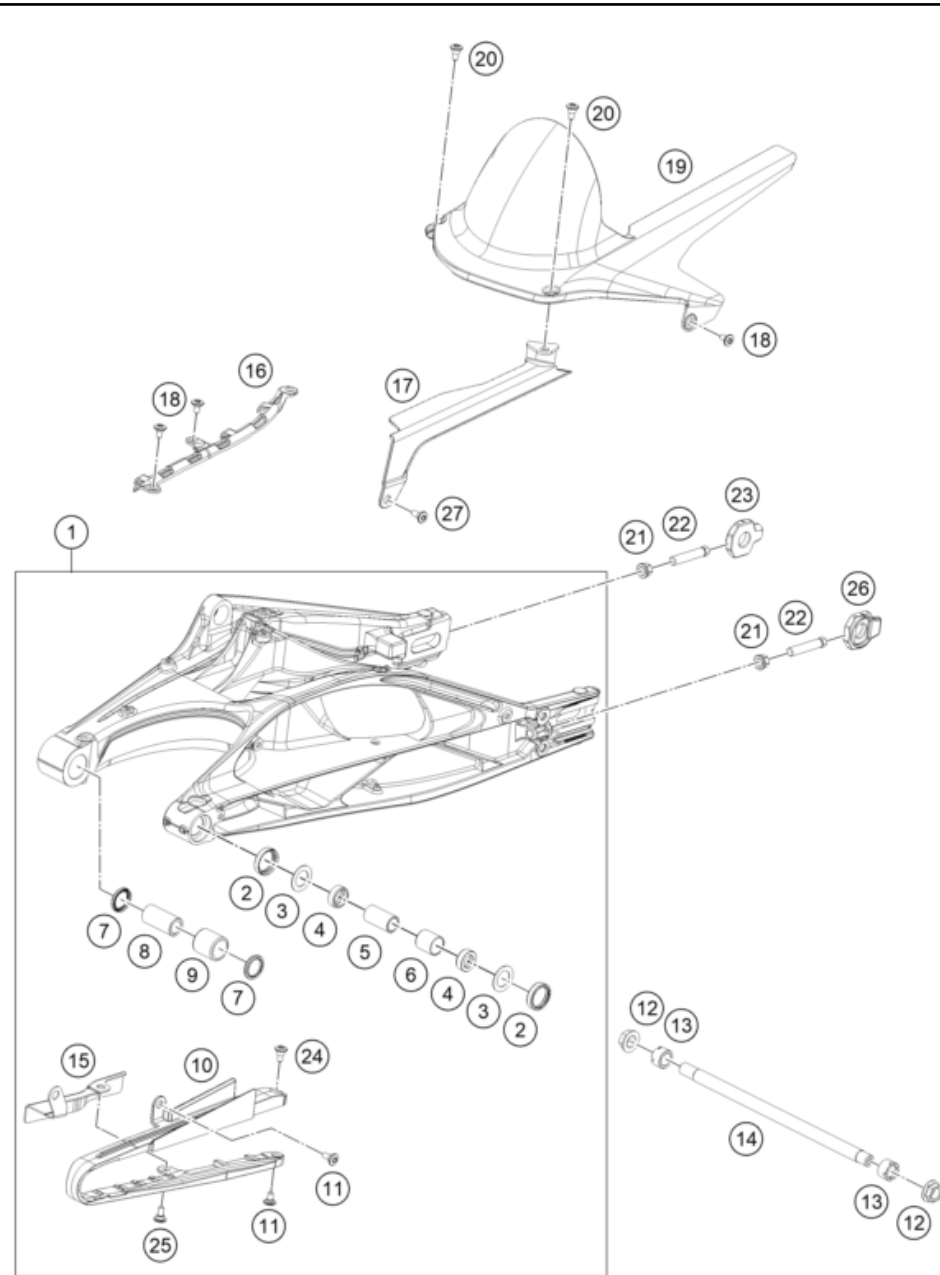
POS	PARTNUMBER		PIECE
1	96304010033	SHOCKABSORBER REAR	1
2	J900001006501	Hexagon socket M10x65	1
3	J800001801900	BUSH	1
4	J900001005800	bolt socket M10x1.25	1
5	J690001100200	washer plain	1

249630410

68259

\* NEW PART

X ON DEMAND



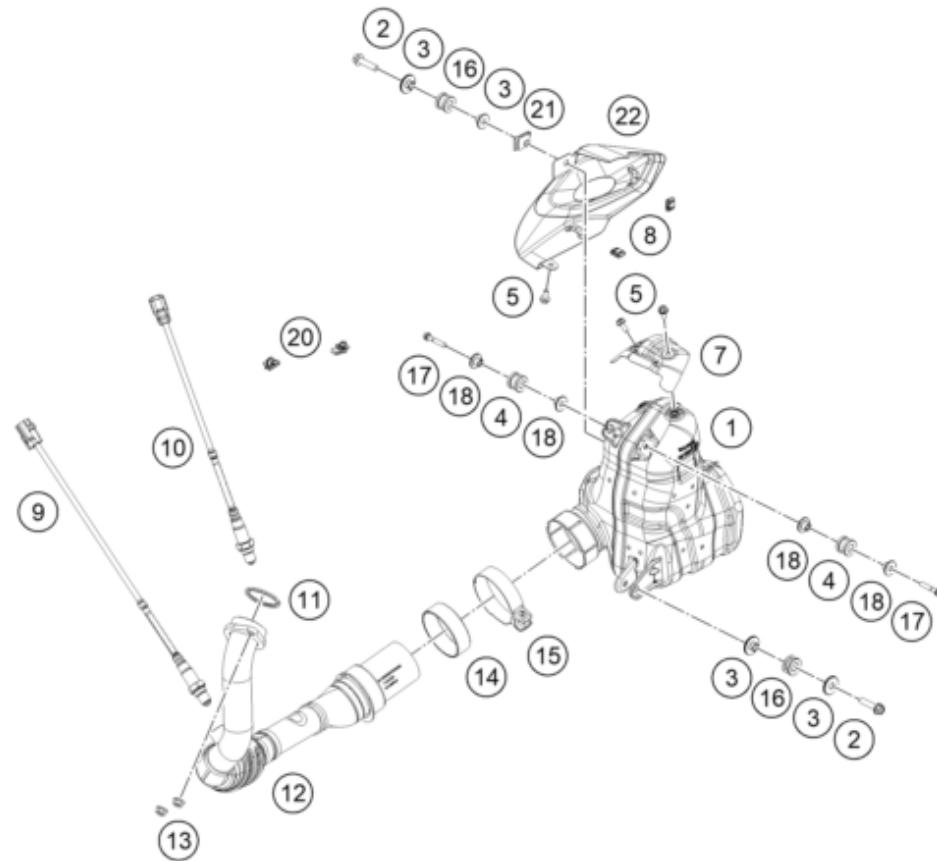
POS	PARTNUMBER		PIECE
1	96304030044C1	Schwingarm kpl.	1
2	90104034001	OIL SEAL RING 25X32X7	2
3	90104036000	Thrust washer 22.2x31.7x1	2
4	90104034000	cup for radial shaft seal	2
5	90104032000	sleeve bushing 15.1x20x38	1
6	96304031000	BUSH	1
7	96304034001	Seal oil	2
8	96304032000	swingarm bush	1
9	96304033000	swingarm needle bearing	1
10	96304066000	SLIDER CHAIN	1
11	J900000601207	SCREW SOCKET STEP M6X1	2
12	J910001401000	nut swingarm axle	2
13	90104046000	swingarm adjusting ring	2
14	96304037000	swingarm axle	1
15	96304066010	SHIELD SLIDER CHAIN	1
16	96313026000	GUIDE CABLE	1
17	96304060000	COVER CHAIN OUTER	1
18	J900000601207	SCREW SOCKET STEP M6X1	3
19	96304050000	COVER CHAIN	1
20	J900000600904	special screw M6x15-8.8-hexagon socket 5	2
21	90104010002	flanged hex nut M10x1.25 WS13	2
22	90104040000	BOLT HEX M10X1.25X50 WS10	2
23	96310084000	chain tensioner right	1
24	J900000600904	special screw M6x15-8.8-hexagon socket 5	1
25	J900000601502	SCREW SOCKET STEP M6X1	1
26	96310083000	chain tensioner left	1
27	J900000601502	SCREW SOCKET STEP M6X1	1

249630490

68217

\* NEW PART

X ON DEMAND



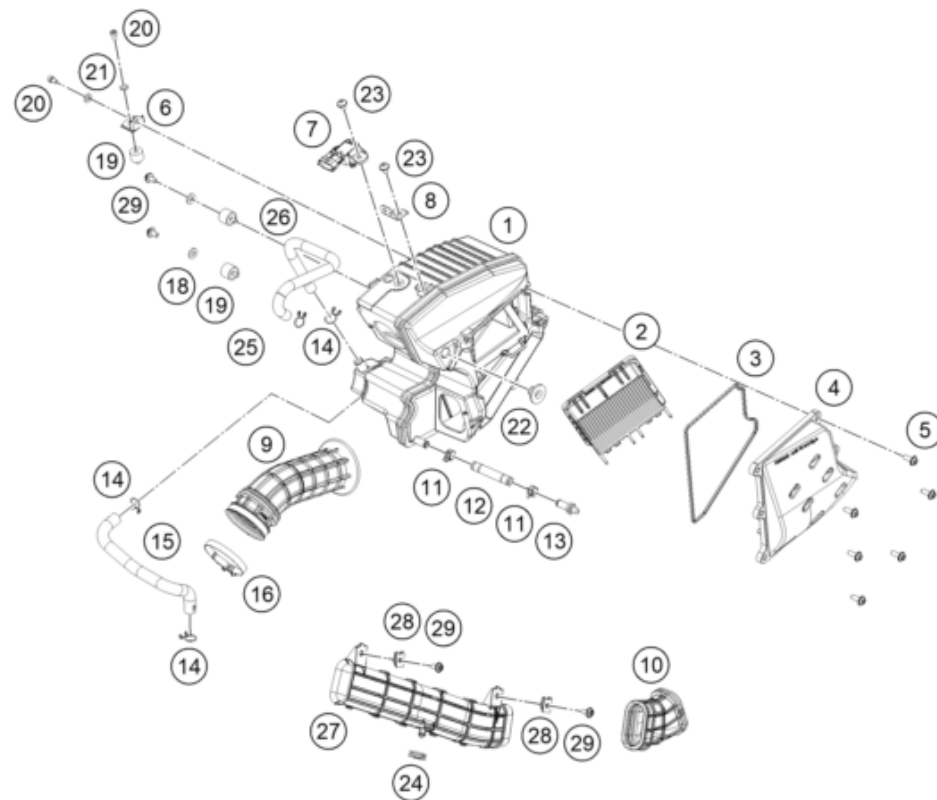
POS	PARTNUMBER		PIECE
1	96305050000	pre muffler assembly	1
2	J025080353	BOLT FLANGED M8X35	2
3	J800000901001	COLLAR	4
4	90205068000	damper, bottom	2
5	J025060147	Hex collar screw M6X14	3
7	96305090000	SHIELD MUFFLER	1
8	93805011003	GROMMET MUFFLER SHIELD	3
9	96341190000	oxygen sensor	1
10	96341090000	oxygen sensor	1
11	96305004000	exhaust flange gasket	1
12	96305007000	PIPE ASSEMBLY A	1
13	90136038000	FLANGED NUT M8 H7,5 WS12	2
14	94305050172	Gasket exhaust	1
15	96305051000	muffler clamp	1
16	93805096000	DAMPER MUFFLER	2
17	90105000002	BOLT SILENCER MTG	2
18	90205086001	muffler mounting spacer bushing	4
20	J340000600700	CLAMP	2
21	96305097000	clip nut M8	1
22	96305032033	SHIELD ASSEMBLY MUFFLER	1

249630510

68231

\* NEW PART

X ON DEMAND



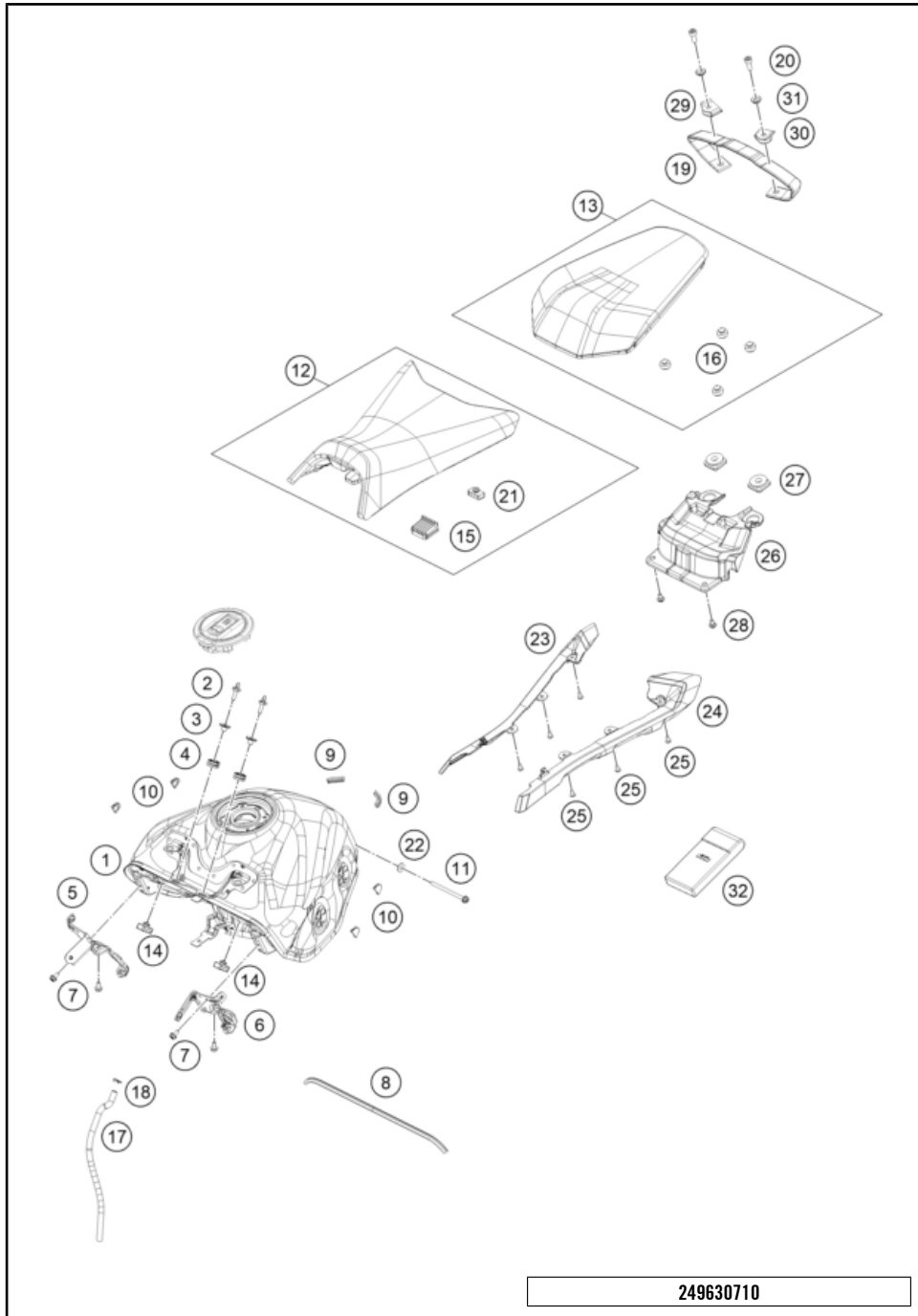
POS	PARTNUMBER		PIECE
1	96306001000	BOX ASSEMBLY FILTER AIR	1
2	96306015000	ELEMENT FILTER AIR	1
3	96306090000	SEAL COVER SIDE	1
4	96306003010	COVER SIDE	1
5	J900000601607	SCREW SOCKET M6X1	6
6	96306017000	BRACKET FILTER AIR	1
7	90141071000	TMAP-SENSOR	1
8	96307030010	bracket purge valve	1
9	96306026000	TUBE CONNECTING	1
10	96306041000	GROMMET DUCT	1
11	96330087001	CLAMP	2
12	96330087020	drain pipe	1
13	90106000001	PLUG DRAINAGE	1
14	90130087001	HOSE CLAMP	3
15	96330087010	oil pipe	1
16	90241002010	hose clamp	1
18	J690000720000	WASHER PLAIN	2
19	90106001007	SILENT BLOCK AIRFILTER	3
20	J900000601002	BOLT SOCKET M6X1	2
21	J690000620000	WASHER PLAIN	2
22	93006001080	Damping rubber	1
23	J031060103	Lens head screw M6X10	2
24	J650002201401	GROMMET	1
25	90607017000	CLAMP 16MM	1
26	96330087000	breather pipe	1
27	96306040000	DUCT INTAKE	1
28	93008084010	Range change metal nut M6	2
29	J900000601206	Allen head screw M6x12	4

249630610

68218

\* NEW PART

X ON DEMAND



249630710

POS	PARTNUMBER		PIECE
1	96307013000EB	MY23 TANK FUEL JP171091 ELE ORG MATT +DCL	1
2	96307064100	pin quick release M6	2
3	93035065030	distance sleeve	2
4	J650002401800	grommet	2
5	96307013041	bracket fuel tank spoiler right	1
6	96307013042	bracket fuel tank spoiler left	1
7	J900000601205	bolt flanged M6x12	4
8	96307013045	beading lower grill central	1
9	96307013046	beading	2
10	93008059000	Rubber cap tank	4
11	J900000609002	bolt flanged M6x1	1
12	96307040000EB	SEAT RIDER RIDER JP191028 ORANGE REXINE	1
13	96307047000	Pillion seat	1
14	96307013043	damper	2
15	96307040020	DAMPER SEAT FRONT	1
16	J660002000900	pillion seat base bobbin	4
17	96315019000	drain pipe	1
18	J310000101100	clamp	1
19	96307048000	Strap	1
20	J900000802200	Set screw w.hexagon socket M8x22	2
21	93007040010	Seat cowl pad	6
22	J690000615000	WASHER PLAIN-ID 6XOD 18XTHK 1.5	1
23	96307040070EB	SPACER SEAT RH JP191031 ELE ORG GLOSS	1
24	96307040080EB	SPACER SEAT LH JP191030 ELE ORG GLOSS	1
25	J081050121	SELF TAPPING SCREW K50X12 T20	6
26	96307047040EB	COWL SEAT MIDDL JP181722 ELE ORG GLOSS	1
27	J650003302400	grommet	2
28	93008020060	Screw M6X1X9	2
29	J340003200900	BRACKET STRAP RH	1
30	J340003200901	Staple left	1
31	J800000900700	collar	2
32	90529099000	TOOLKIT	1

68228

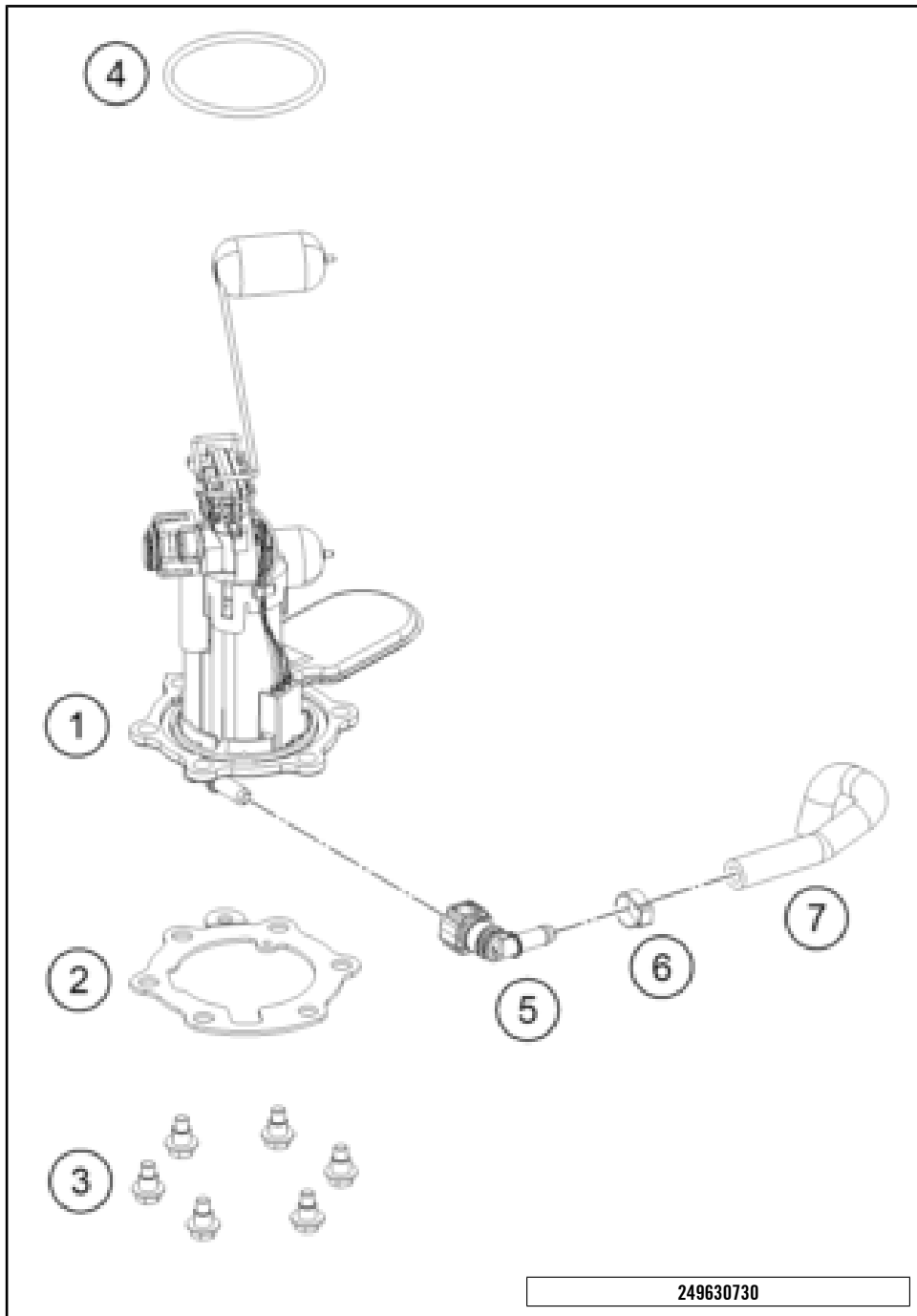
\* NEW PART

X ON DEMAND



# FUEL PUMP

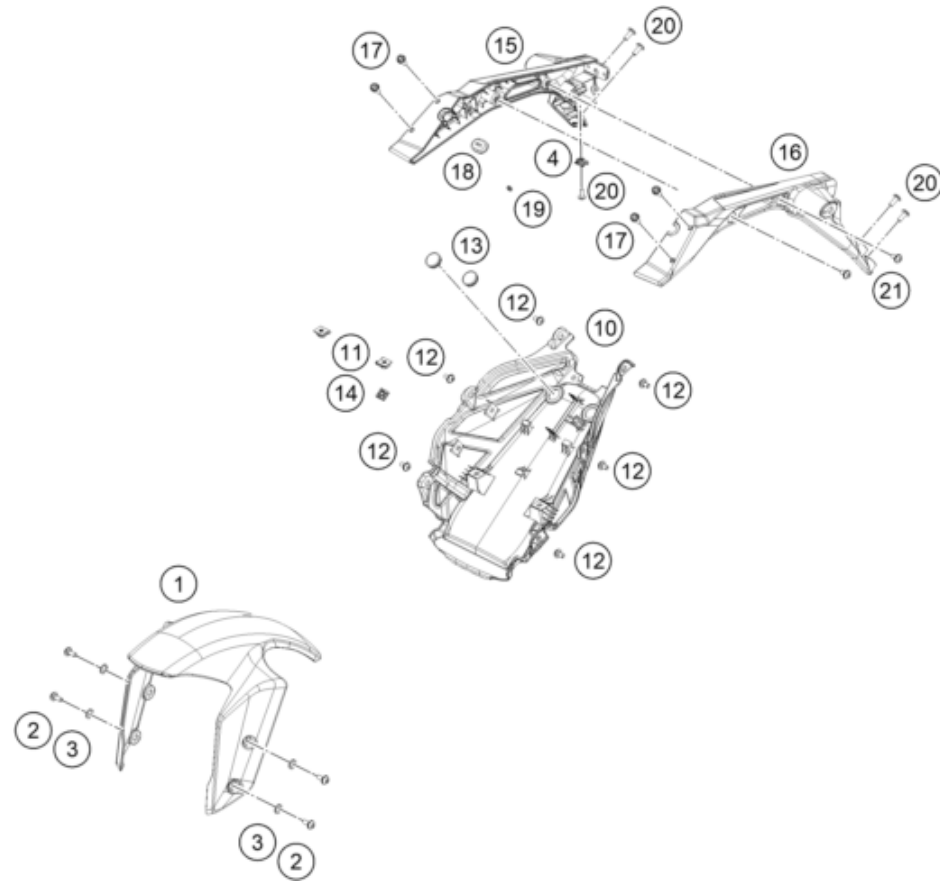
390 DUKE, orange 2024 EU 2024



POS	PARTNUMBER		PIECE
1	96307088000	fuel pump	1
2	96341007000	fuel pump plate	1
3	J025060128	BOLT FLANGE- M6 X 1 X L12.8 XBRT XST	6
4	96307091000	Fuel pump seal	1
5	28107028000	Angle piece	1
6	00050148706	clamp quick connector end permanent	1
7	96307016000	fuel pipe	1

68237

\* NEW PART      X ON DEMAND



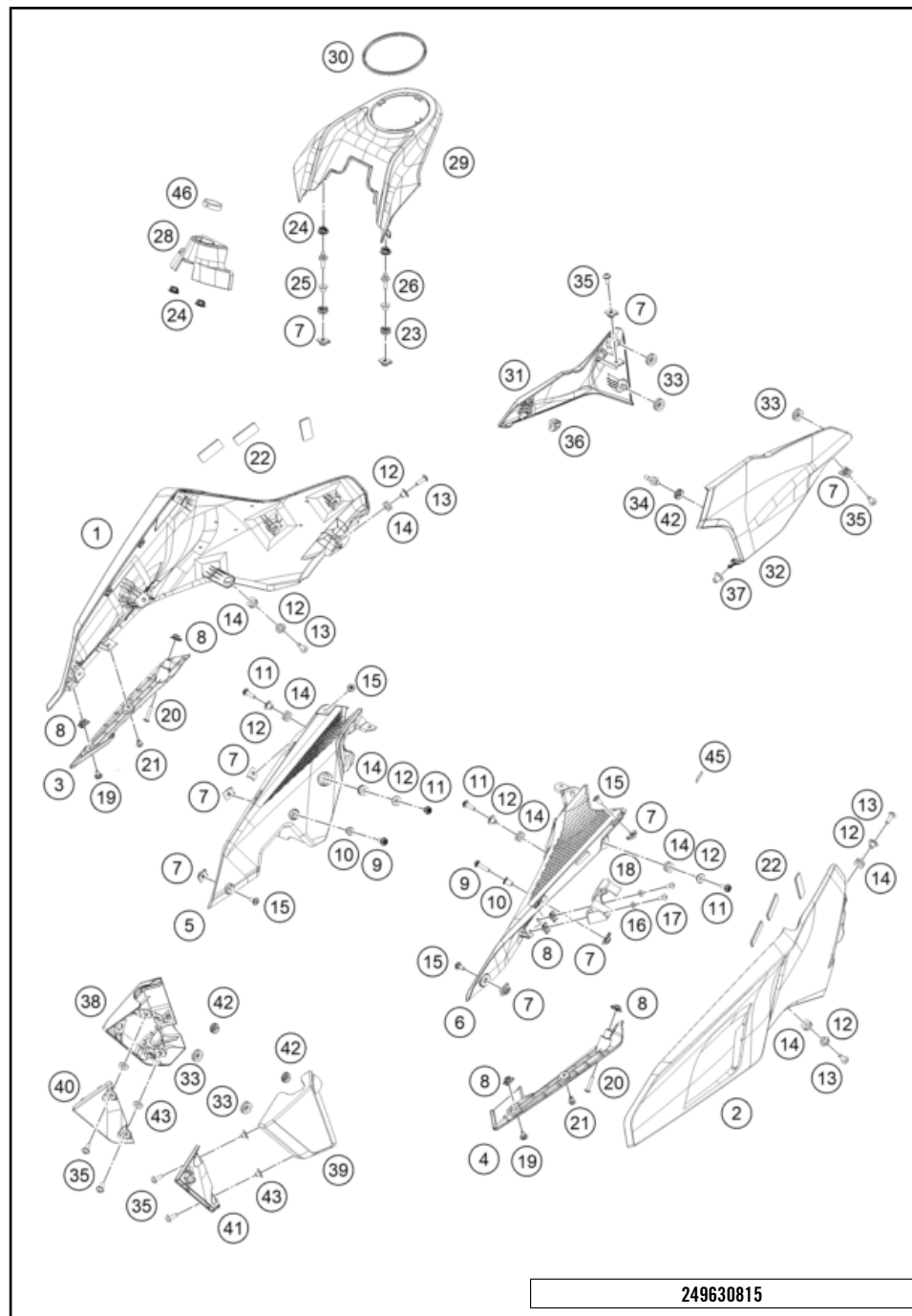
POS	PARTNUMBER		PIECE
1	96308010000C1	FENDR FRONT DUKE MY23 JP181429 BLK GLOSS	1
2	J031050161	Panhead screw with shoulder	4
3	93009059000	Washer nylon	4
4	90108050001	CLIP NUT M5	1
10	96308019000	Undertray	1
11	93003077000	Clip nut M6	2
12	J900000601501	screw socket step M6x1	6
13	J650002502000	grommet undertray	2
14	93011093010	Cable tie, fastening base	1
15	96308015020	License plate holder support right	1
16	96308015010	License plate holder support left	1
17	J900000601405	bolt flanged M6x1	4
18	J650002902100	grommet license plate holder	1
19	96308015030	plug	4
20	J900000501603	lens head screw M5x16	1
21	93008020060	Screw M6X1X9	2

249630810

68229

\* NEW PART

X ON DEMAND



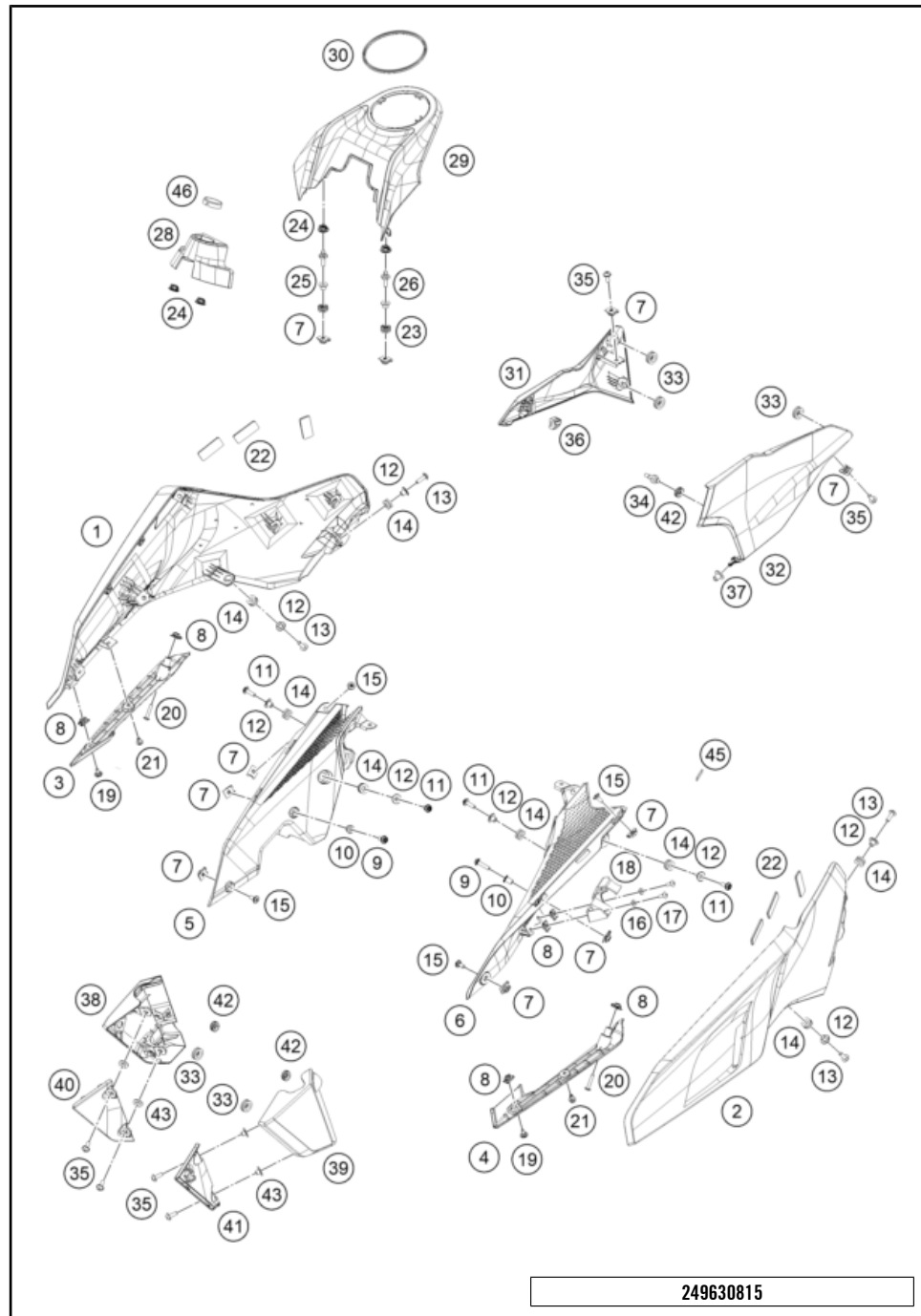
249630815

POS	PARTNUMBER		PIECE
1	96308051000EDA	SPOILER T RHJP181732 ELE ORG META GL +DCL with decal	1
2	96308050000EDA	SPOILER T LHJP181731 ELE ORG META GL +DCL with decal	1
3	96308061000	SPOILER TANK BOTTOM RH	1
4	96308060000	SPOILER TANK BOTTOM LH	1
5	96308063000	Fuel tank fairing right	1
6	96308062000	Fuel tank fairing left	1
7	93008084010	Range change metal nut M6	10
8	90108050001	CLIP NUT M5	6
9	J900000602507	screw socket M6x1	2
10	J800000701501	COLLAR WIND SHIELD	2
11	J900000602005	socket screw M6x20	4
12	93014018100	Collar head lamp holder MTG	8
13	90508006003	AH SCREW M6X1X20	4
14	93014017000	Rubber bushing	8
15	J900000601501	screw socket step M6x1	4
16	J690000600102	washer M5x0,8	2
17	J900000501405	screw truss M5x0.8x14xcl4.8xblk	2
18	96308062010	BCCU bracket	1
19	J900000501300	socket screw M5x12,7	2
20	J900000503100	screw buton HD+collar- M5x8x31L	2
21	93814050000	RIVET	2
22	95807012020	Tank support rubber	6
23	J650001801400	grommet	2
24	93011068010	Rubber grommet ignition lock cover	4
25	J800000701001	bushing fuel tank spoiler	2
26	96307064100	pin quick release M6	2
28	96311068000	Ignition lock cover	1
29	96307058000	COVER CAP	1
30	96307058010	seal fuel tank cover	1
31	96308042000C1B	COVER SIDE RH JP181738 WITH DECAL ORANGE with decal	1
32	96308041000C1B	COVER SIDE LH JP181737 WITH DECAL ORANGE with decal	1

68239

\* NEW PART

X ON DEMAND



POS	PARTNUMBER		PIECE
33	J650002201400	GROMMET	5
34	96308077000	pin quick release M8	1
35	90808043000	SPECIAL SCREW M6X1X16	6
36	96308042010	cap	1
37	J660002001500	CAP	1
38	96335032000C1A	COVER RADIATOR RH DUKE 400 WITH DECAL with decal	1
39	96335031000C1A	COVER RADIATOR LH DUKE 400 WITH DECAL with decal	1
40	96335035000	Radiator inner cover right	1
41	96335034000	Radiator inner cover left	1
42	J650002001400	Rubber grommet	3
43	J800000600901	bushing radiator cover	4
45	90135065090	SCHAUM	1
46	96311066010	grommet cover switch ignition	1

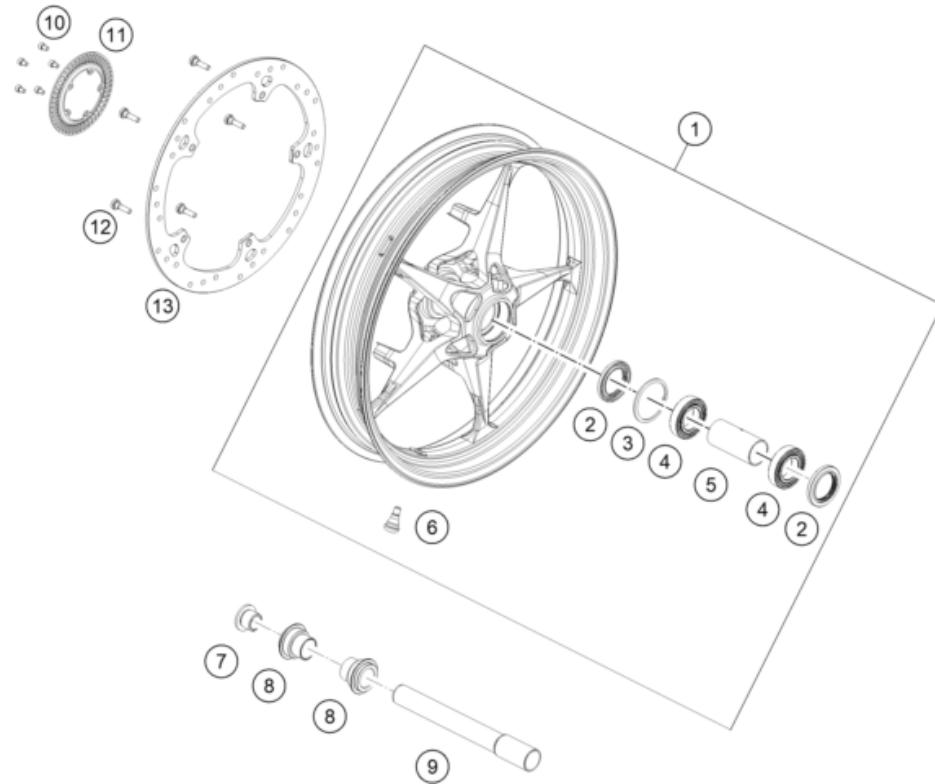
249630815

68239

\* NEW PART      X ON DEMAND

# FRONT WHEEL

390 DUKE, orange 2024 EU 2024



POS	PARTNUMBER		PIECE
1	96309097044EB	Vorderrad kpl.	1
2	J780003955000	seal oil	2
3	J710005520000	INTERNAL CIRCLIP	1
4	J410003001300	BEARING 30X55X13	2
5	94509011000	SPACER	1
6	90109076000	VALVE CPL.	1
7	94509082000	BOLT FLANGED M24X1.5	1
8	94509012000	COLLAR	2
9	93009081100	AXLE FRONT MY17	1
10	J900000500800	BOLT SOCKET M5X0.8	5
11	94542020000	Sensor wheel, front	1
12	J900000602504	bolt socket M6x25	5
13	94509060000	DISC BRAKE DIA 320	1

249630910

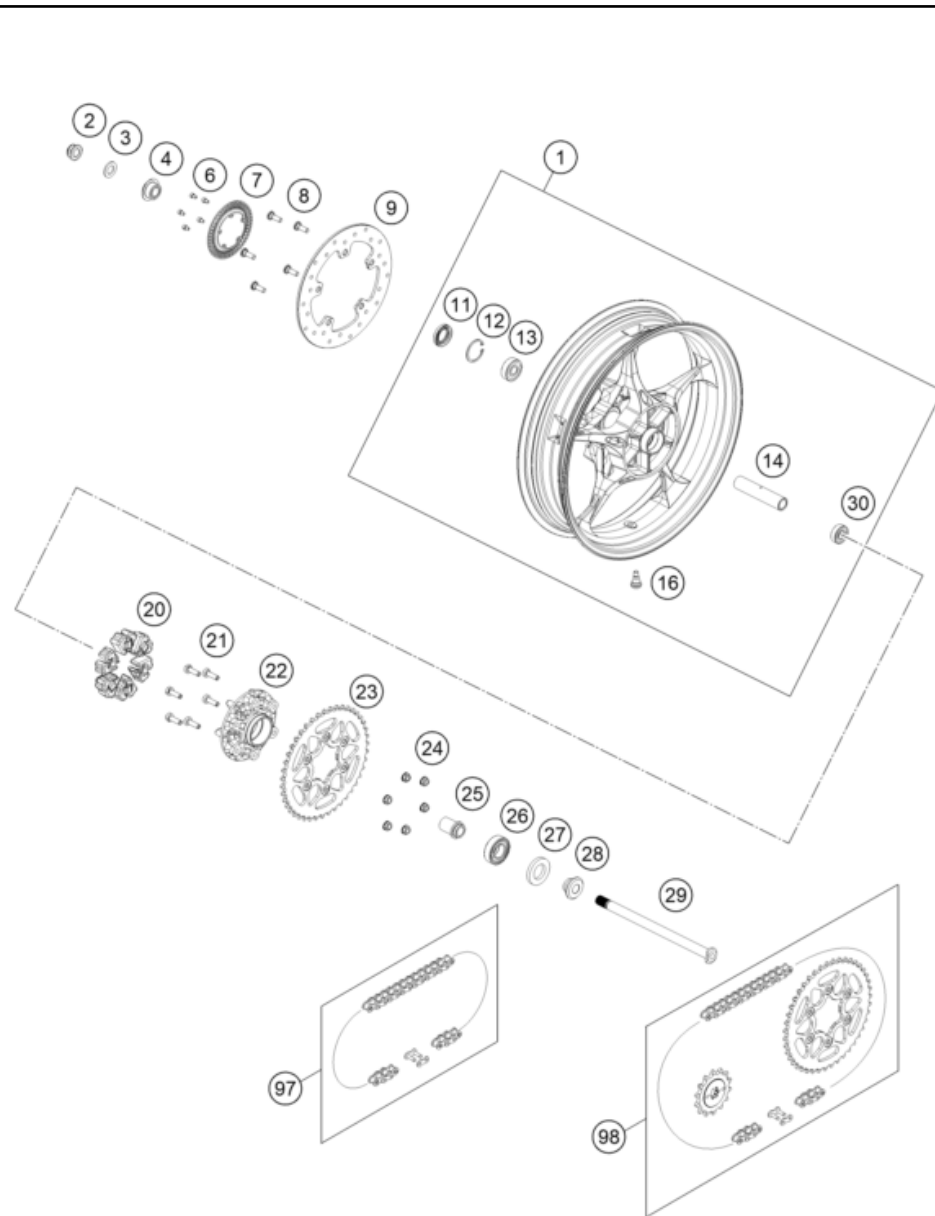
68223

\* NEW PART

X ON DEMAND

# REAR WHEEL

390 DUKE, orange 2024 EU 2024



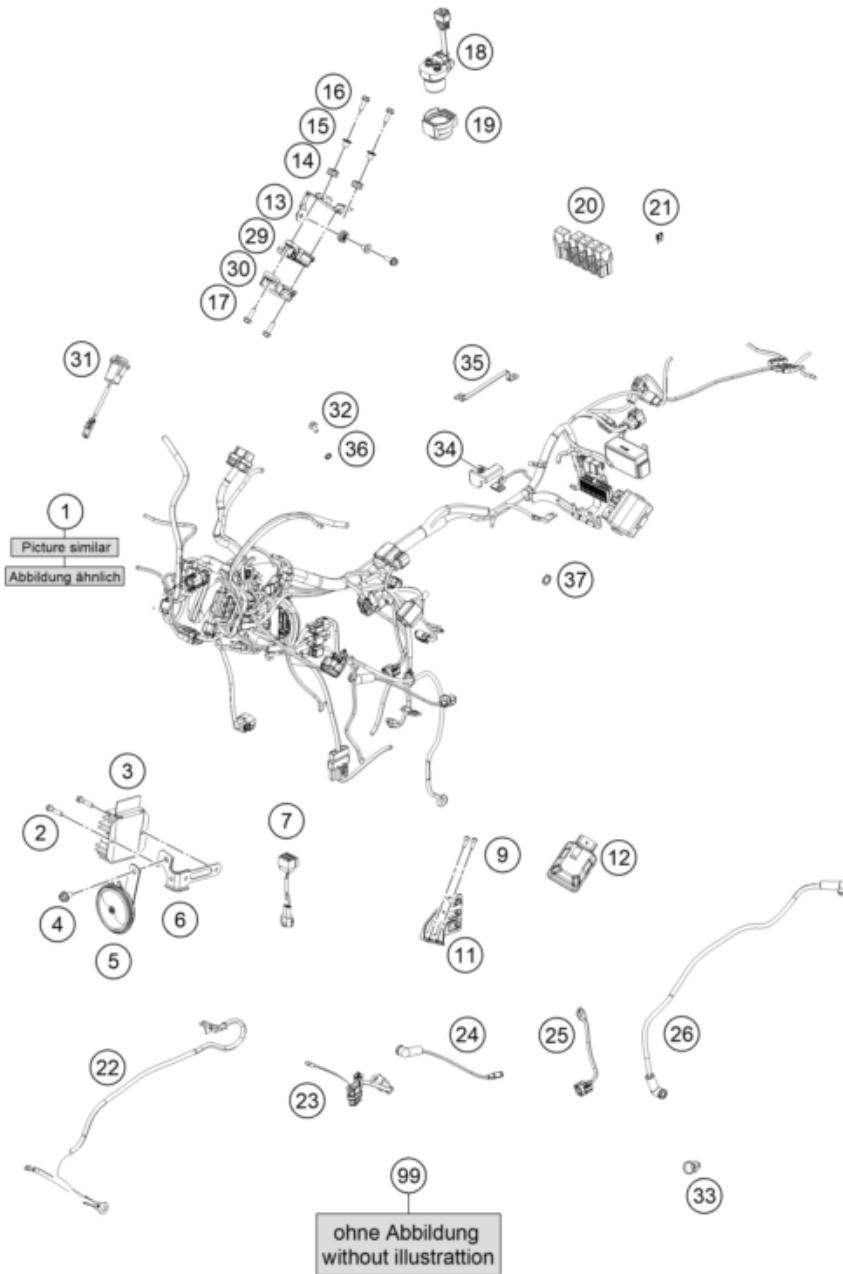
POS	PARTNUMBER		PIECE
1	96310097044EB	Hinterrad kpl.	1
2	96310086000	nut rear wheel axle	1
3	J690001700300	washer 17x2.6	1
4	J800001701700	collar	1
6	J900000500800	BOLT SOCKET M5X0.8	5
7	94542020000	Sensor wheel, front	1
8	90110062000	SPECIAL SCREW M8X25 SELF LOCK.	5
9	96310060000	DISC BRAKE DIA 240	1
11	J760304708	SHAFT SEAL RING 30X47X8	1
12	J710004717501	CIRCLIP 47X17	1
13	J410001701400	Ball bearing 17x47x14	1
14	96310111000	Bearing spacing tube	1
16	90109076000	VALVE CPL.	1
20	90910059000	DAMPER RUBBER REAR WHEEL	6
21	90810052000	SPECIAL SCREW M8X48	6
22	90210050000	SPROCKET SUPPORT	1
23	96310051043	rear sprocket 43T	1
24	90510052000	FLANGED NUT M8X1,25	6
25	96310013000	rear wheel bushing	1
26	J625062050	BALL BEARING 6205	1
27	J760295207	SHAFT SEAL RING 29X52X7	1
28	96310011000	rear wheel bushing	1
29	96310085000	rear wheel axle	1
30	J410001701200	Ball bearing	1
97	76910065118	chain DID 118 roll	1
98	SPA214G433K118B	drivetrain kit 14Z/43Z	1

249631010

68224

\* NEW PART

X ON DEMAND



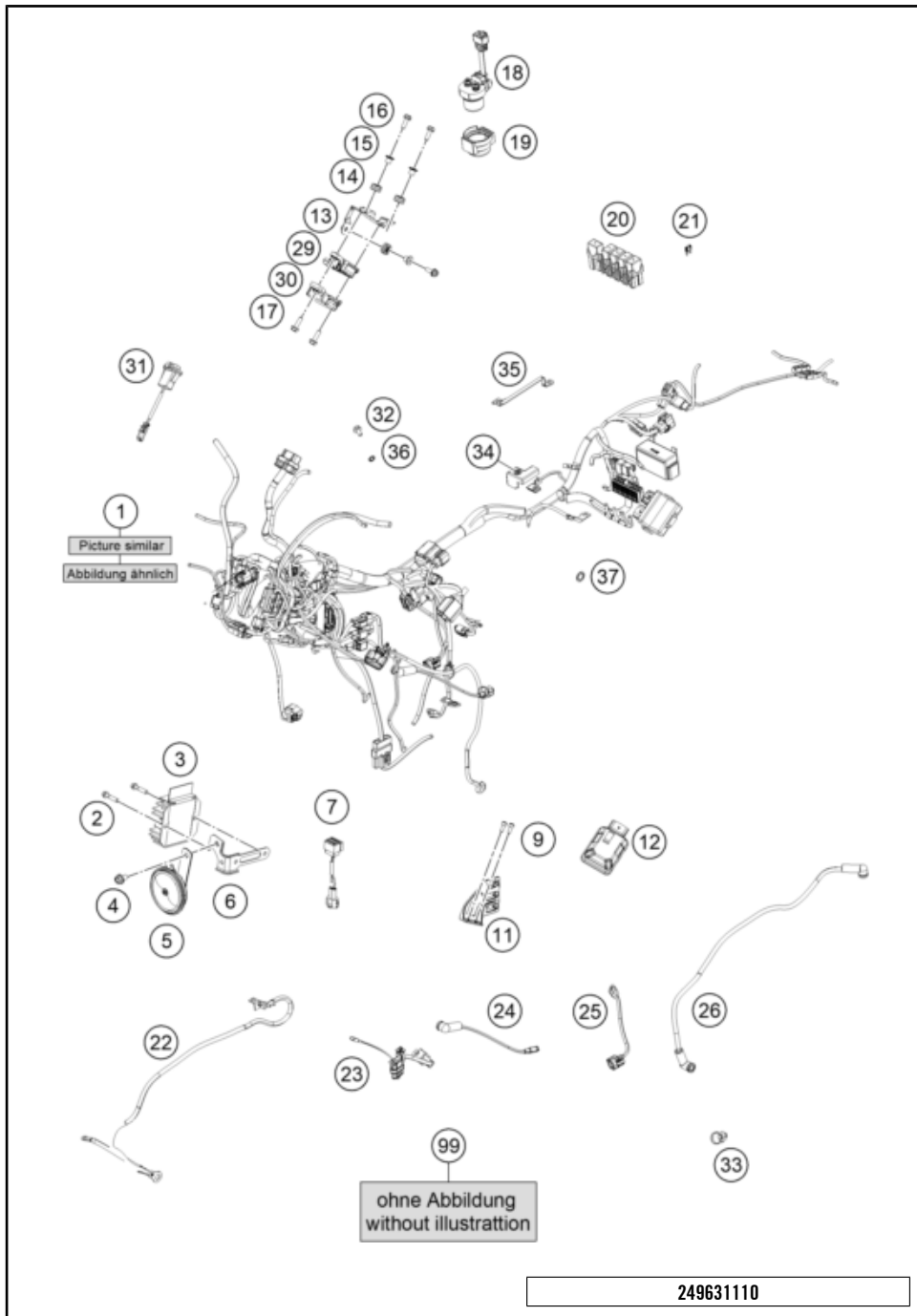
POS	PARTNUMBER		PIECE
1	96311075000	main harness	1
2	J900000602800	SK-Bundschraube M6x28	2
3	96311034000	Regulator assembly	1
4	J900000801402	Hex collar screw, M8x14	1
5	96311060000	Horn	1
6	96311061000	Bracket horn	1
7	28111096000	Transil unit	1
9	90508006001	SOCKET HEAD BOLT M6X12	2
11	96311083000	connector support	1
12	96314086000	UNIT CONNECTIVITY	1
13	96342091010	6-D sensor retaining bracket	1
14	J650001801400	grommet	3
15	J800000601000	collar number plate mounting	3
16	J900000601803	Hex screw with collar M6x18	3
17	J900000602202	BOLT FLANGED M6X1	2
18	93011058000	Starter relais	1
19	93311058000	Rubber damper starter relay	1
20	90611057000	relay (interlock)	5
21	93511088000	Fuse 10a	7
21	90111088015	Fuse 15A	5
21	90111088030	Fuse 30A	1
21	90111088020	Fuse 20A	2
21	90111088025	FUSE 25A	2
22	96311097000	CABLE EARTH	1
23	96311007000	CABLE PUMP FUEL	1
24	96338091000	cable switch pressure oil	1
25	93811099000	wiring harness temperatur sensor	1
26	90811059000	STARTER CABLE	1
29	95842090000	SENSOR LEAN ANGLE	1
30	95842092020	cover sensor lean angle upper	1
31	96311041000	socket charger USB	1
32	J025060122	Hex collar screw M6X12	2
33	93803001022	Cable tie	3
34	96311058010	cap relay starter	1
35	96311097002	busbar plate	1
36	J797060003	TOOTHED WASHER M6	3
37	J797100006	washer toothed internal	1
99	96311098000	CABLE EARTH	1

249631110

68244

\* NEW PART

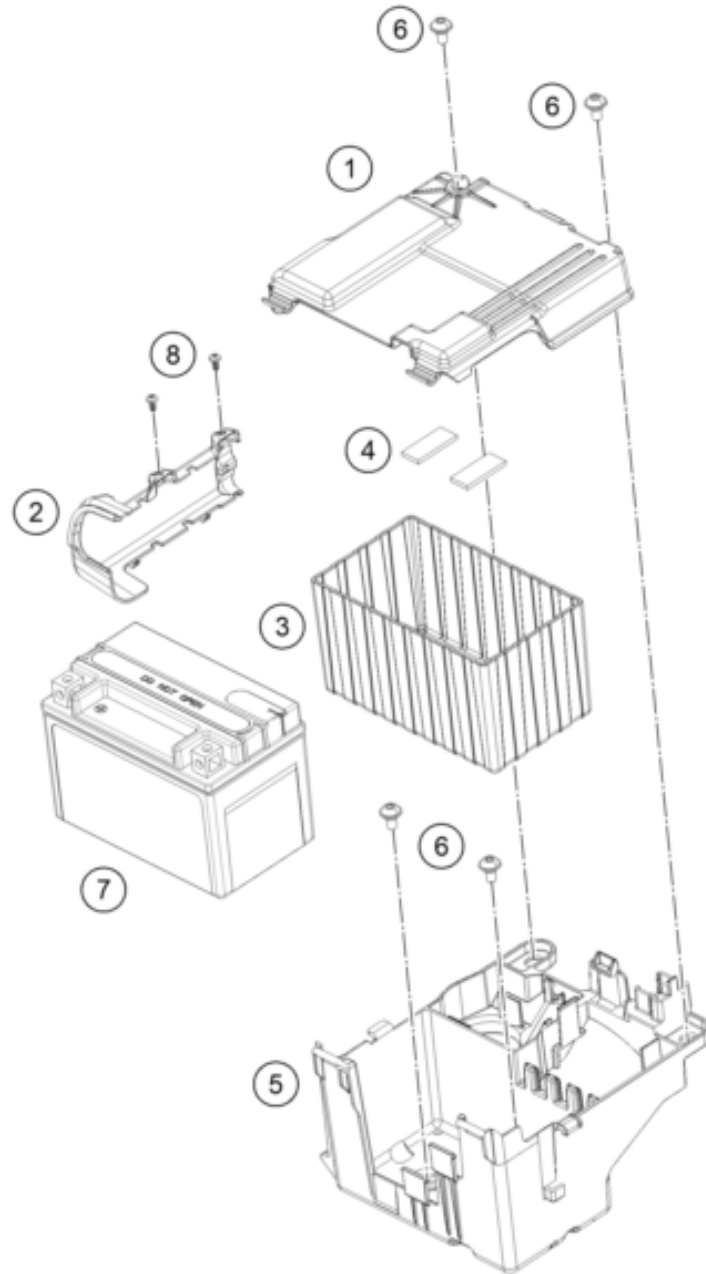
X ON DEMAND



POS	PARTNUMBER		PIECE
99	96311081000	Rear turn signal wiring harness	1
99	96311093000	wiring harness BCCU	1

68244 \* NEW PART X ON DEMAND





POS	PARTNUMBER		PIECE
1	96311055000	COVER CASE BATTERY	1
2	96311052010	main wiring harness cable channel	1
3	96311054010	battery rubber holder	1
4	90611155000	FOAM BATTERY BKT 35X15X3	2
5	96311054000	CASE BATTERY	1
6	J900000601203	Linsenkopf-Schraube M6x20	4
7	90611053000	BATTERY 12V/8AH	1
8	J900000401000	Kunststoffschraube 3,5x10	2

24A6151130

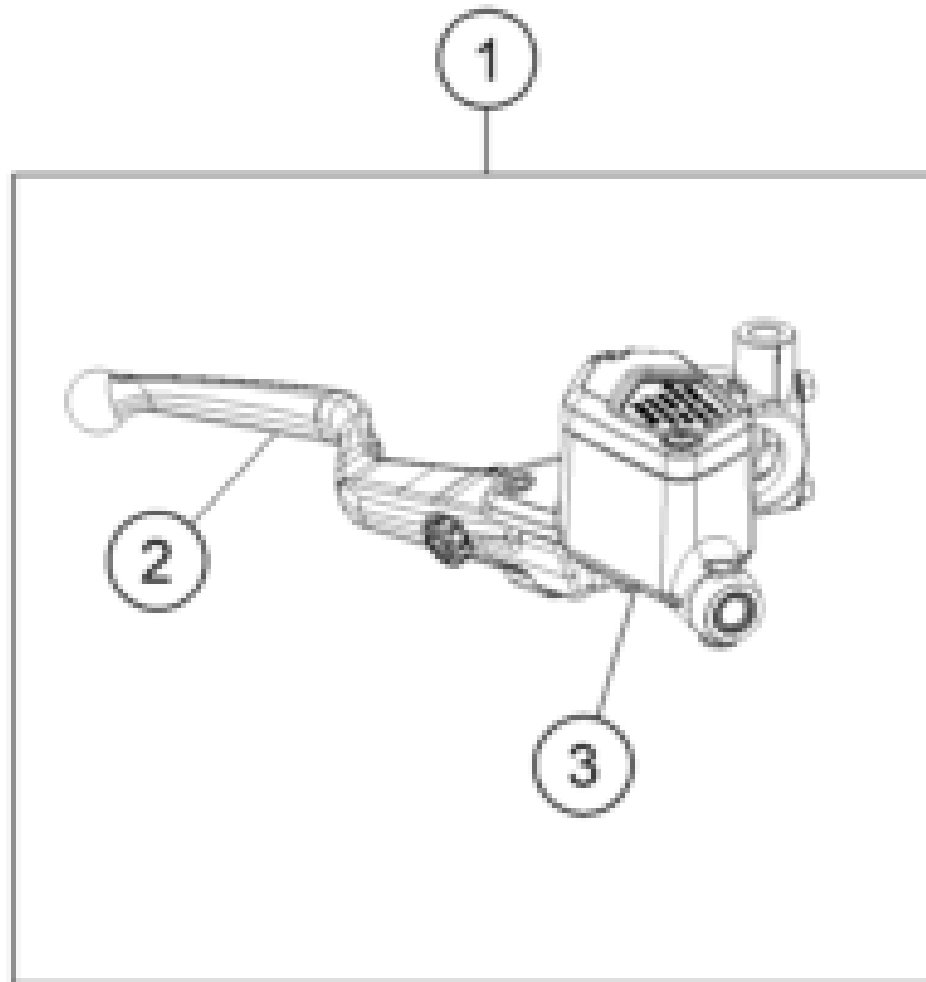
64109

\* NEW PART

X ON DEMAND

# FRONT BRAKE CONTROL

390 DUKE, orange 2024 EU 2024



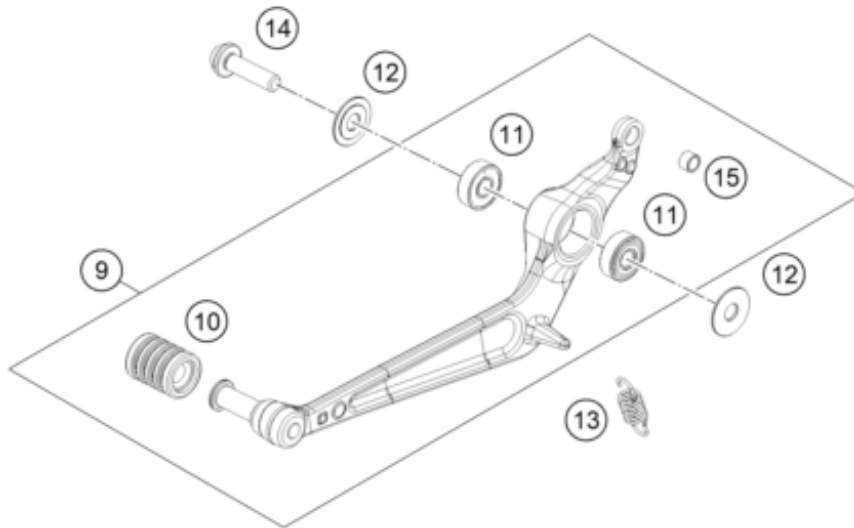
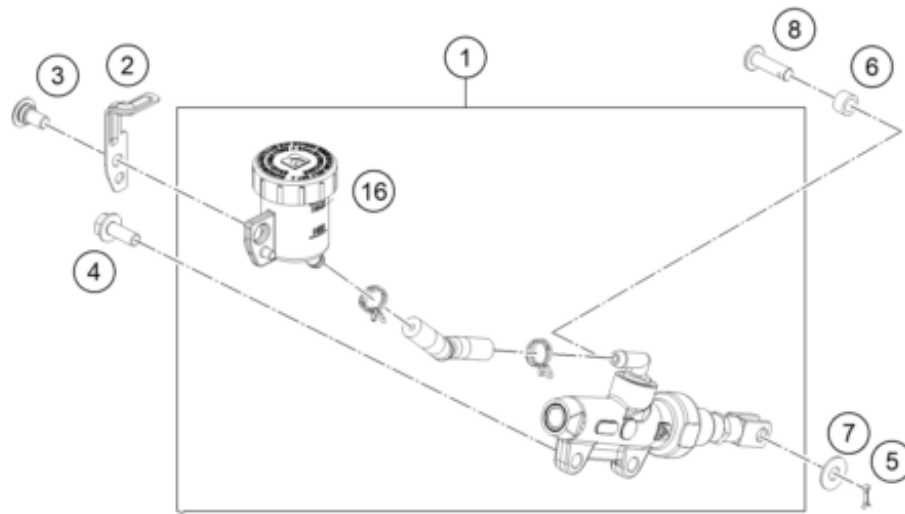
POS	PARTNUMBER		PIECE
1	96313001033	Front Master Cylinder cpl.	1
2	93713002033	Brake lever cpl.	1
3	90111050000	brake light switch, front	1

24A6151310

64100

\* NEW PART

X ON DEMAND



POS	PARTNUMBER		PIECE
1	96313060033	Rear Master Cylinder Assembly	1
2	96313068000	Retaining bracket brake reservoir rear	1
3	J900000601403	BOLT SOCKET STEP M6X1	1
4	90130059000	HH COLLAR SCREW M6X16	2
5	J094020153	splint pin 2x15mm	1
6	J650001000700	grommet	1
7	J125070001	Washer nylon 6.5X16X1	1
8	J920000602100	pin clevis dia 6	1
9	96313050033	Lever Assembly Brake	1
10	90134035000	GEAR SHIFT LEVER RUBBER	1
11	J625060800	BALL BEARING 608	2
12	90534031020	WASHER SHIFTING LEVER	2
13	J520000900100	Spring	1
14	90534034300	BOLT SHIFT LEVER	1
15	93035065020	Spacer bushing	1
16	96313029005	Kit Rear Reservoir	1

249631330

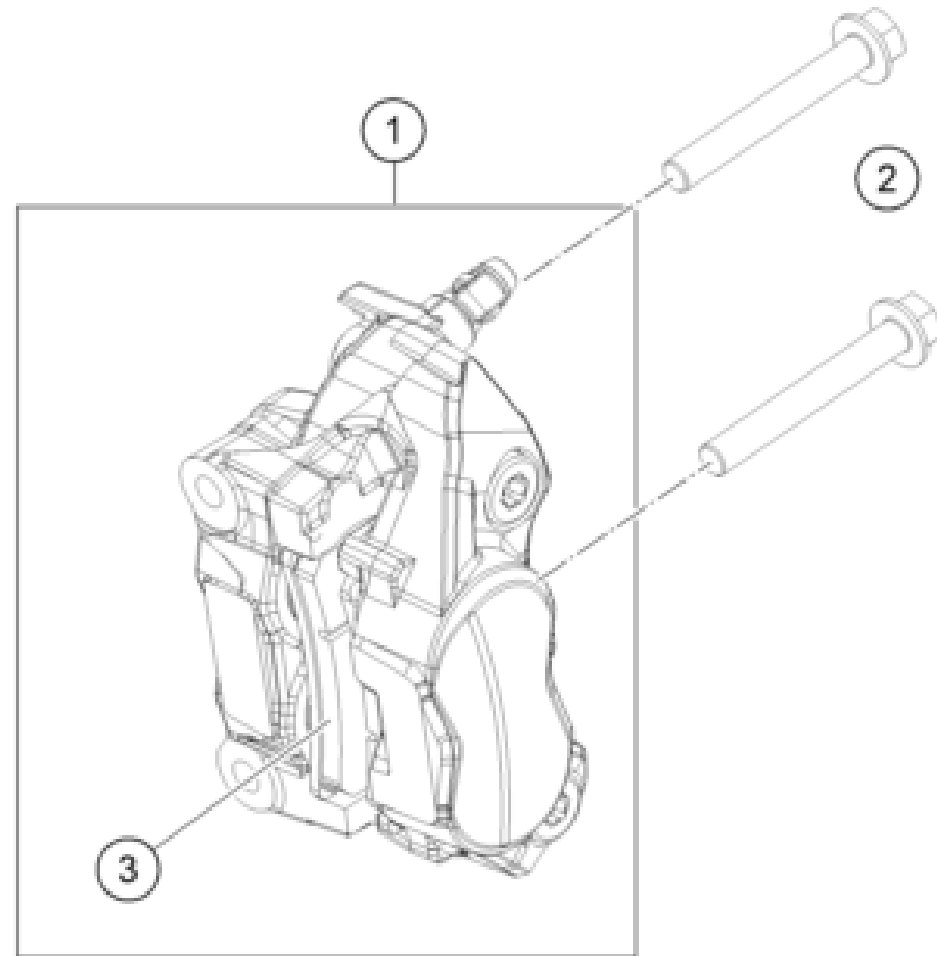
68241

\* NEW PART

X ON DEMAND

# FRONT BRAKE CALIPER

390 DUKE, orange 2024 EU 2024



POS	PARTNUMBER		PIECE
1	96313015000	Brake caliper front	1
2	J01008060S	HH collar screw M8x1x60	2
3	93813030000	PADS (sintered)	1

24A6151360

64102

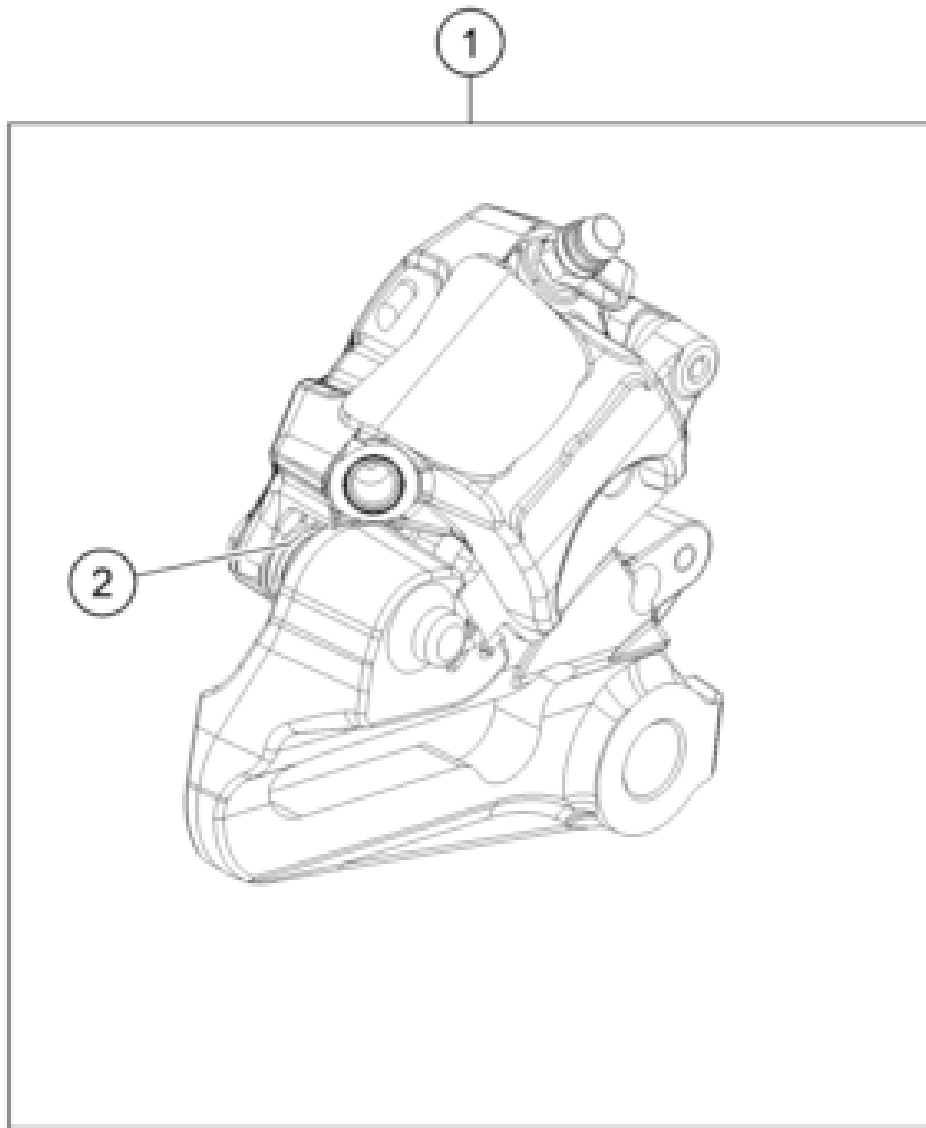
\* NEW PART

X ON DEMAND

CHASSIS 26

# REAR BRAKE CALIPER

390 DUKE, orange 2024 EU 2024



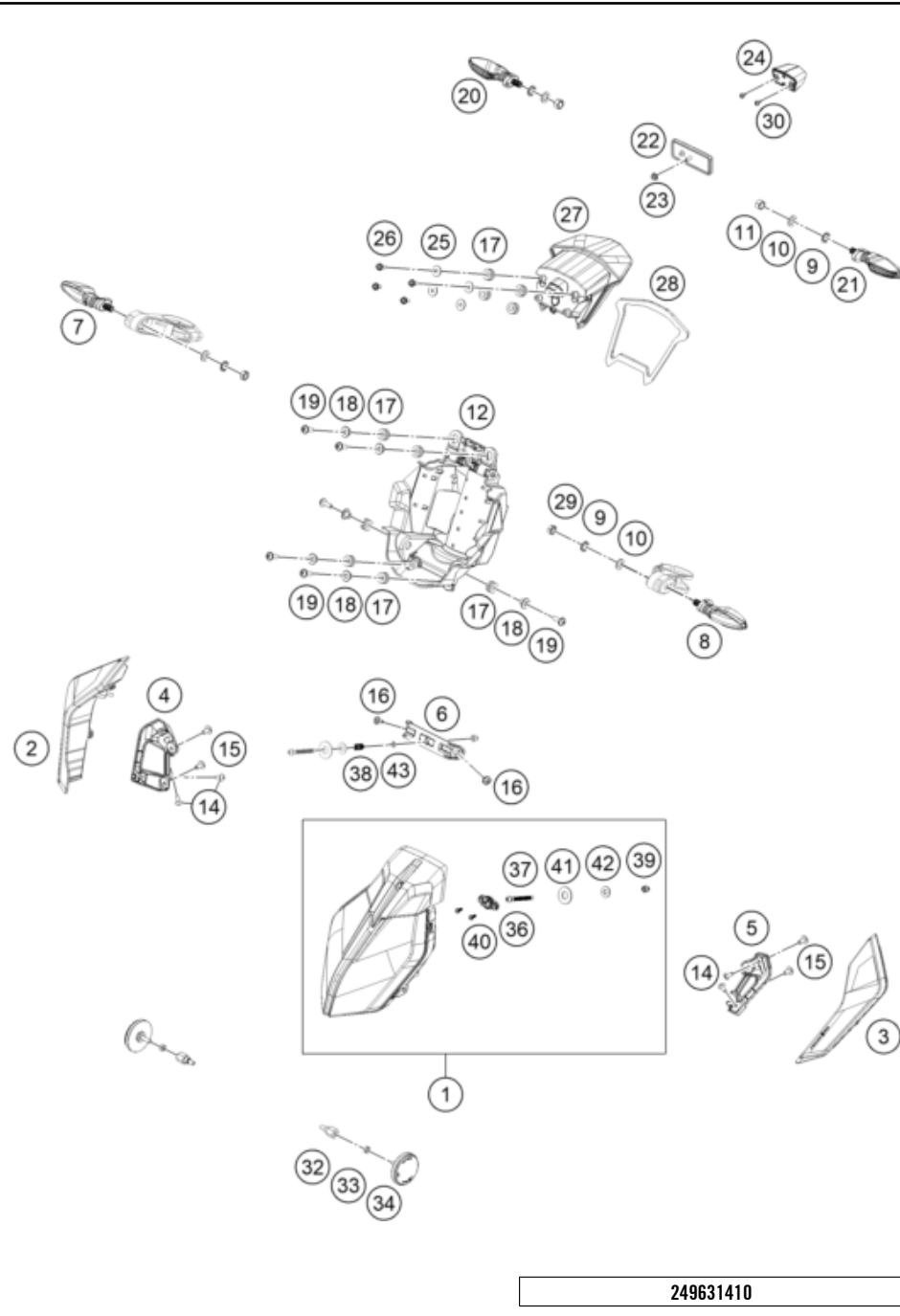
POS	PARTNUMBER		PIECE
1	96313080000	Rear Brake Caliper	1
2	90113090000	REAR BRAKE PADS - SET	1

24A6151390

64103

\* NEW PART

X ON DEMAND



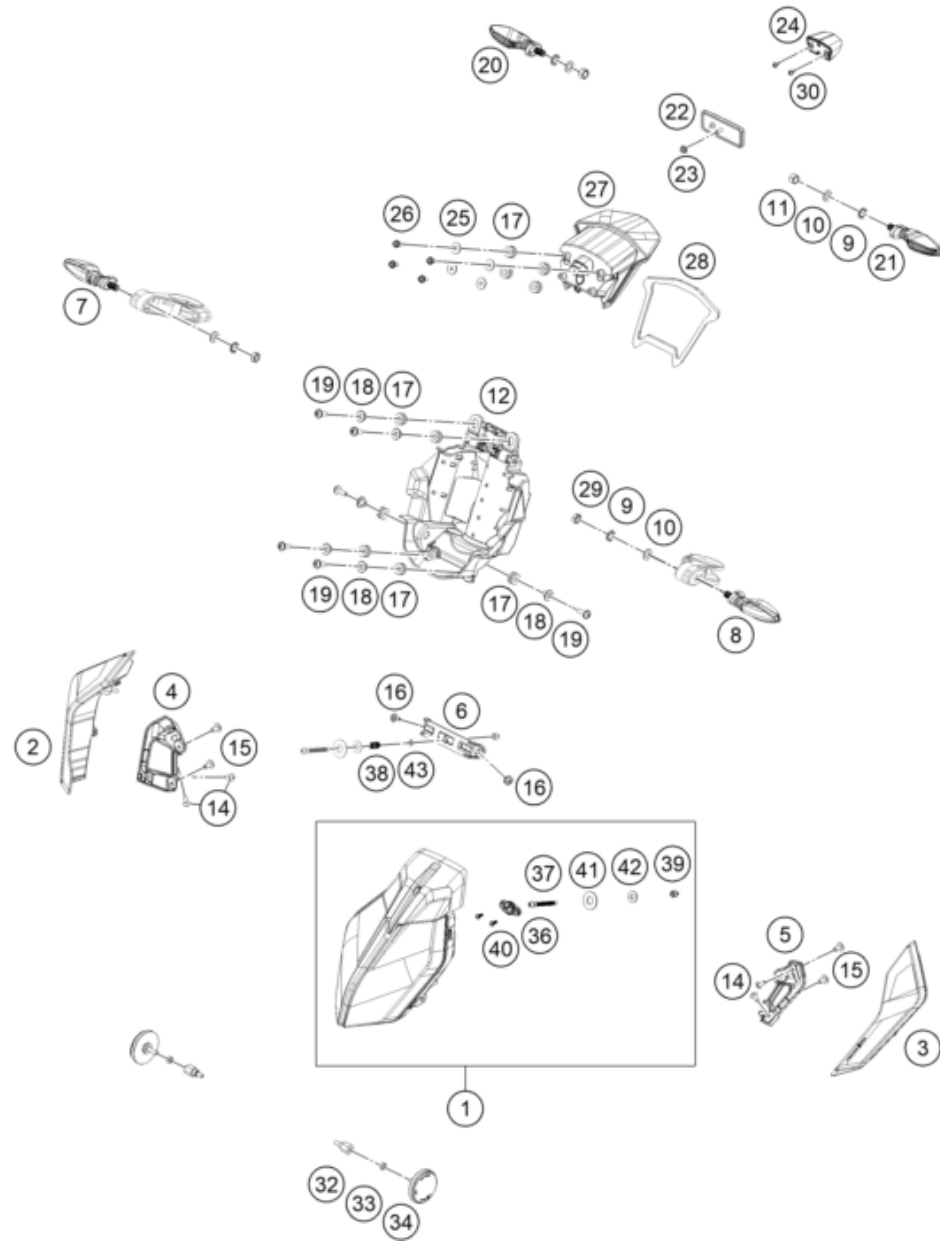
POS	PARTNUMBER		PIECE
1	96314001000	Headlight	1
2	96311004030	Position light right	1
3	96311004040	Position light left	1
4	96314004010	position light holder right	1
5	96314004020	position light holder Left	1
6	96314002000	headlight adjuster plate	1
7	93014026000	Indicator front rh	1
8	93014025000	Indicator front lh	1
9	J06797100183	Toothed washer, M10	4
10	J125100009	Washer M10	4
11	J910001000800	Nut hex M10x1.25	4
12	96314010000	Headlight carrier front	1
14	J90000501202	Linsenkopf-Schraube M5x12	4
15	J900000601204	Roundhead screw, M6x12	4
16	J900000500900	Screw button head step M5x6.5	2
17	93014017000	Rubber bushing	10
18	93014018100	Collar head lamp holder MTG	6
19	J900000601900	AH oval head screw M6x19	6
20	90114025000	FLASHER CPL. RE. R/S	1
21	90114026000	FLASHER CPL. RE. L/S	1
22	96314045000	REFLECTOR REFLEX	1
23	J910000501100	nut hex flanged M5x0.8	1
24	28114047000	License plate lighting	2
25	93308015010	Washer, license plate holder support	4
26	J025050126	HH-COLLAR SCREW M5X12	4
27	96314040000	Rear Light	1
28	96314043000	rubber support taillight	1
29	J934100006	Nut hex thin-M10x1.25	2
30	J981420133	SHEET MET.SCR. DIN 7981 4,2X13	2
32	94512082010	Reflector holder	2
33	J910000600505	NUT HEX THICK	2
34	94512082000	Side reflector	2
36	93014024100	bush	1
37	J900000605400	Aiming bolt (m6)	1
38	93014001010	Spring 1 x 8.5 x 30	1
39	J910000601200	Dome nut (m6x1)	1
40	93014024110	Screw M4X14	2
41	J690001210000	Washer plain	1

249631410

68245

\* NEW PART

X ON DEMAND



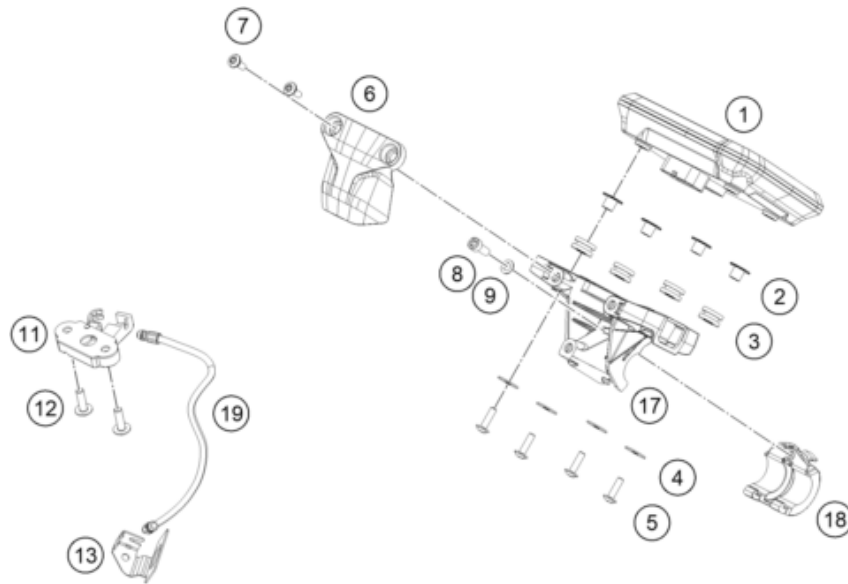
POS	PARTNUMBER		PIECE
42	J690000710001	Washer plain	1
43	J125062006	washer plain-ID 6.2XOD 9.5XTHK 1	1

249631410

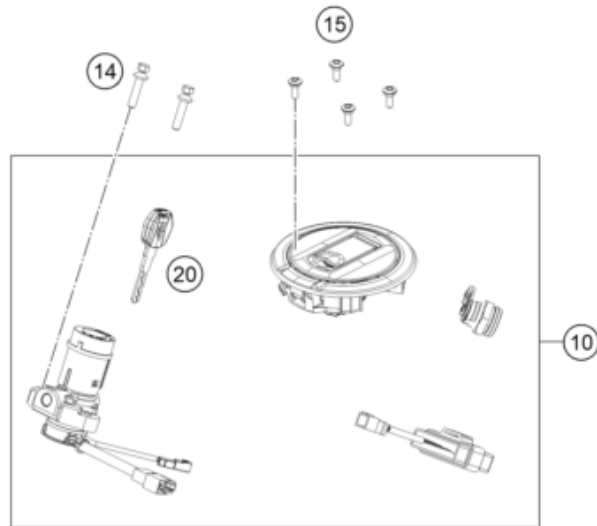
68245

\* NEW PART

X ON DEMAND



POS	PARTNUMBER		PIECE
1	96314069000	SPEEDOMETER	1
2	93014062010	Collar TFT speedo small	4
3	90507040001	RUBBER SLEEVE	4
4	93308015010	Washer, license plate holder support	4
5	J031060183	Roundhead screw M5X18	4
6	96014061000	instruments cover	1
7	J900000501204	screw button head step M5x0.8	2
8	J900000601603	ISK-Schraube M6x16	1
9	J690000600100	WASHER PLAIN SMALL-6.5X11.5XT0.8	1
10	96311066044	Lock kit	1
11	90507050000	LOCK ASSY. SEAT	1
12	90508006003	AH SCREW M6X1X20	2
13	96307051000	seat lock bracket	1
14	J900000601601	screw m6x1	2
15	J900000501404	Linsenkopf-Schraube M5x14	4
17	96314060000	holder speedometer lower	1
18	96314060010	holder speedometer upper	1
19	94507050190	cable latch seat	1
20	96312026000	Spare Key	1



249631430

68250

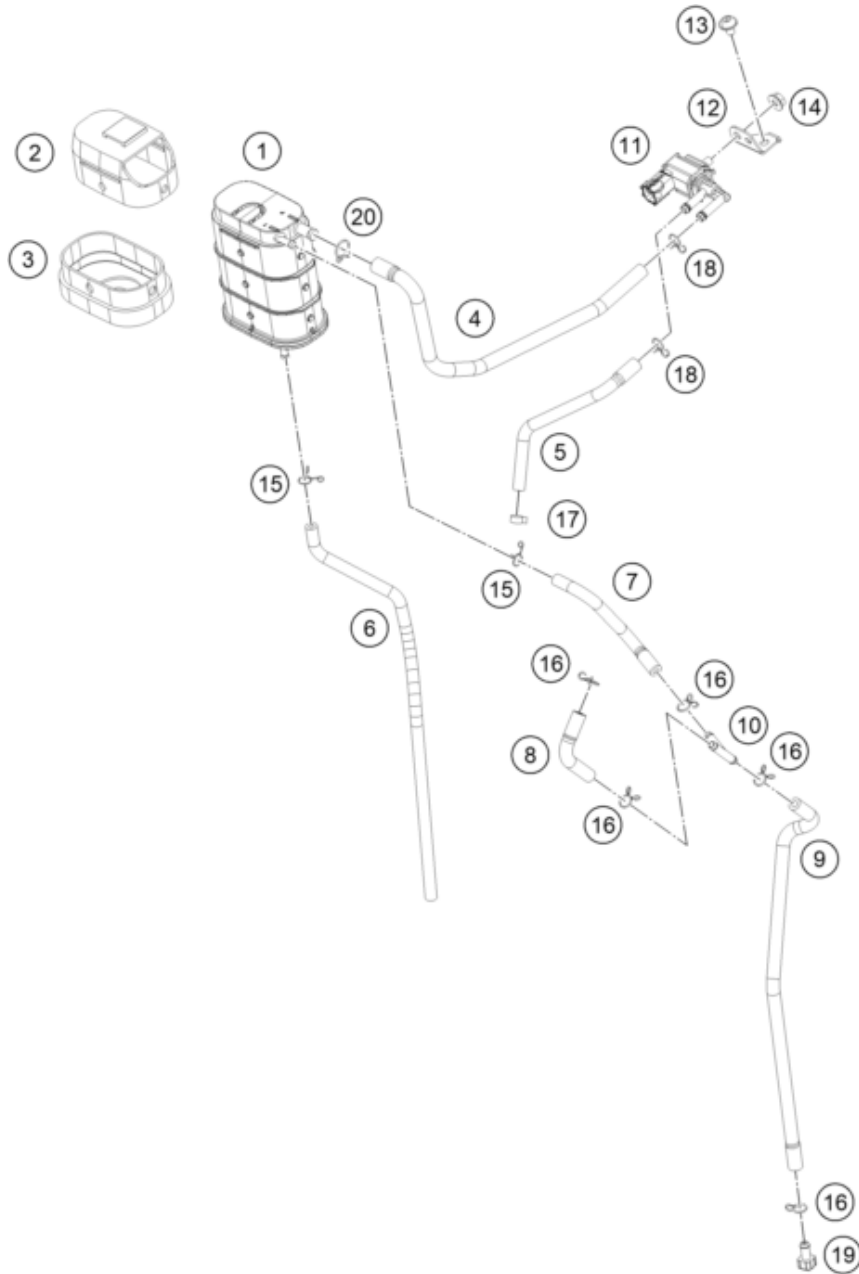
\* NEW PART

X ON DEMAND



# EVAPORATIVE CANISTER

390 DUKE, orange 2024 EU 2024



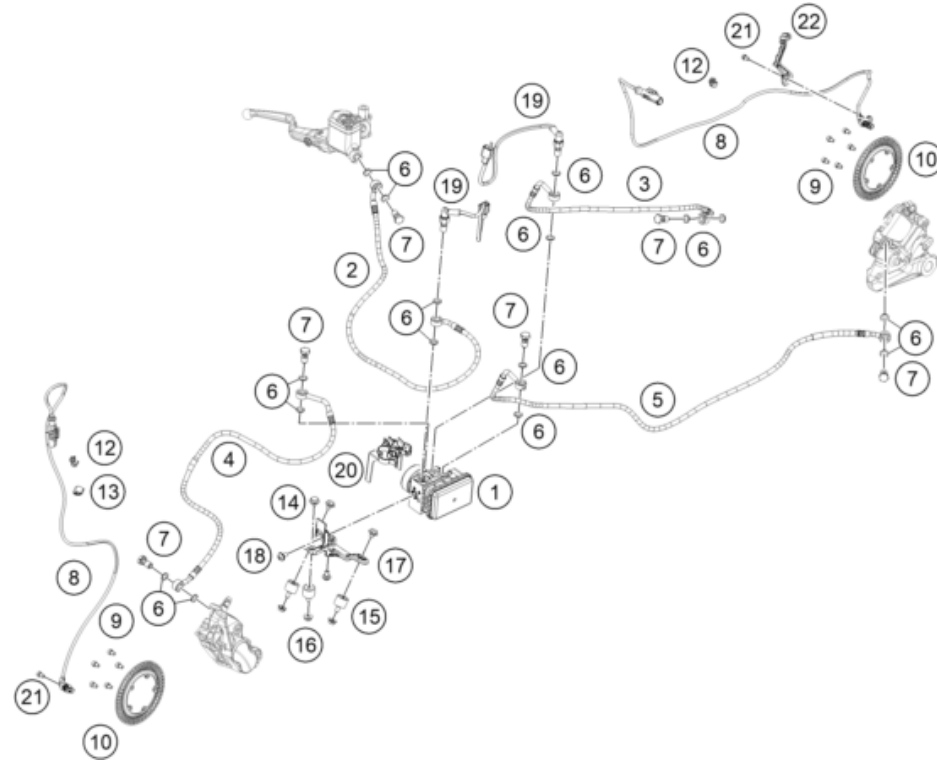
POS	PARTNUMBER		PIECE
1	96315001000	Evaporative canister hosing compl.	1
2	96315013000	EVAP canister strap top	1
3	96315003000	EVAP canister strap bottom	1
4	96315021000	fuel pipe EVAP	1
5	96315027000	fuel pipe EVAP	1
6	96315029000	Drain pipe EVAP	1
7	96315017000	fuel pipe EVAP	1
8	96315026000	fuel pipe EVAP	1
9	96315023000	PIPE FUEL	1
10	J610000600400	CONNECTOR FOR BREATHER AND VAPOR TUBE	1
11	90607830000	Valve purge	1
12	96307030010	bracket purge valve	1
13	J031060103	Lens head screw M6X10	1
14	J926060001	Hexagon nut M6	1
15	J310000100900	CLAMP .P.COK OUT+F.FLTR IN,OUT+CARBU. IN	2
16	90107013008	CLAMP	5
17	J300000801000	Spring clip 9.5	1
18	90507017000	HOSE CLAMP	2
19	90515011000	PLUG FUEL DRAIN	1
20	J310000101200	clamp	1

249631510

68230

\* NEW PART

X ON DEMAND



POS	PARTNUMBER		PIECE
1	96342031044	UNIT ABS - WET	1
2	96342001000	Brake line front master cylinder	1
3	96342002000	Brake line, rear master cylinder	1
4	96342003000	Brake line, front brake caliper	1
5	96342004000	Brake line, rear brake caliper	1
6	90113026000	COPPER GASKET	16
7	90113013000	BANJO SCREW	6
8	96342025000	Wheel speed sensor	2
9	J900000500800	BOLT SOCKET M5X0.8	12
10	94542020000	Sensor wheel, front	2
12	93813035000	CLAMP SENSOR CABLE	3
13	94313026010	CLIP SEPARATOR	2
14	J900000600801	SK-Bundschrabe M6x8	3
15	90135001001	silentbloc M6	3
16	J910000600601	Hex collar nut M6	3
17	96342040000	ABS unit holder	1
18	93008020060	Screw M6X1X9	2
19	28111051000	switch brake	2
20	96342033000	Hose guide	1
21	J025060169	HH COLLAR SCREW M6X16 SW8	2
22	96342026000	Rear wheel speed sensor cable holder	1

249634210

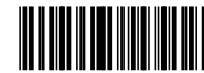
68240

\* NEW PART

X ON DEMAND



# KTM.COM



F4303X1EN

KTM Sportmotorcycle GmbH  
5230 Mattighofen, Austria  
[www.ktm.com](http://www.ktm.com)

**KTM** POWERPARTS

**KTM** POWERWEAR

**KTM** ORIGINAL SPARE PARTS

