

# 390 ADVENTURE SPOKE W, orange 2024 EU 2024

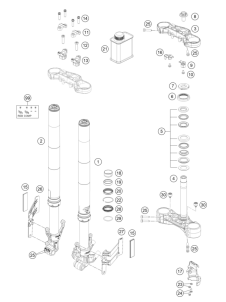
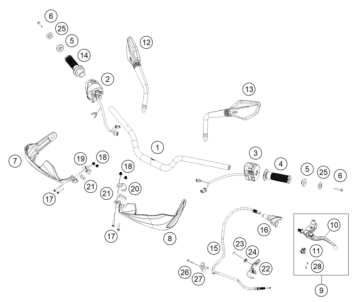
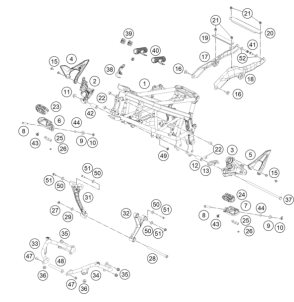
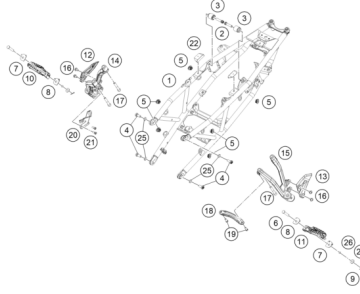
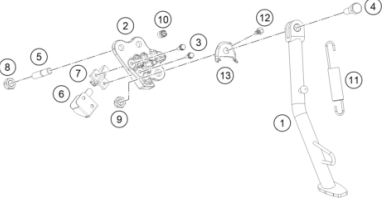
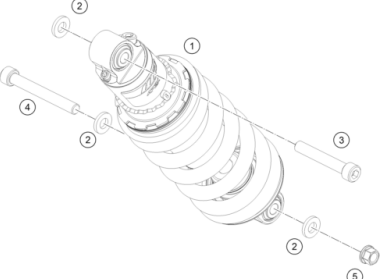
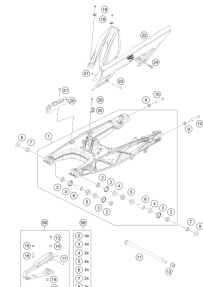
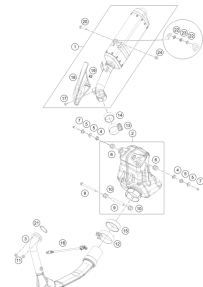
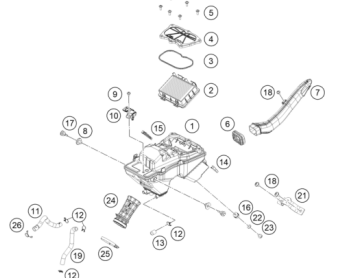
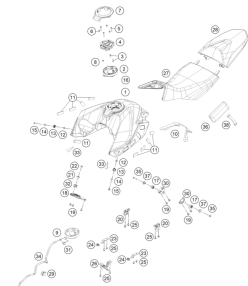
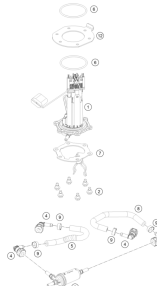
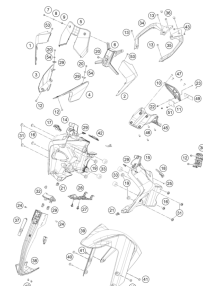
ART.-NR.: F5303X9EN

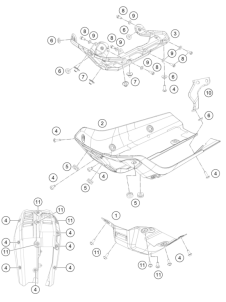
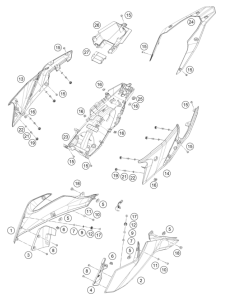
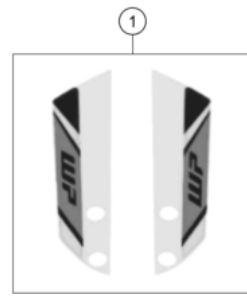
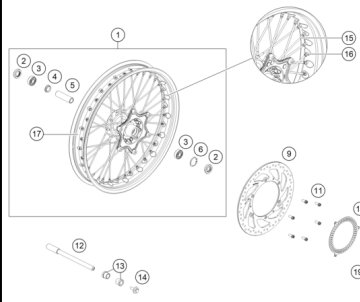
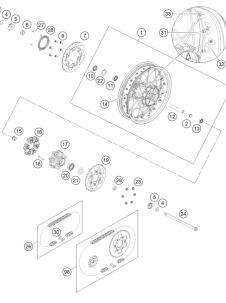
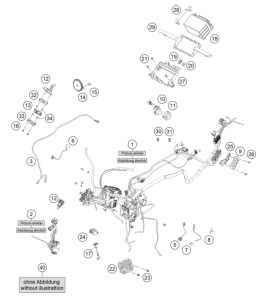
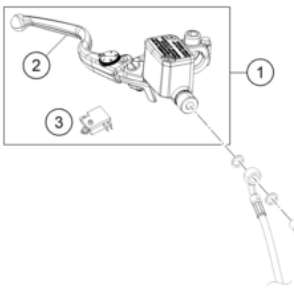
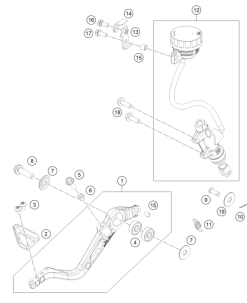
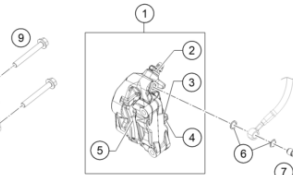
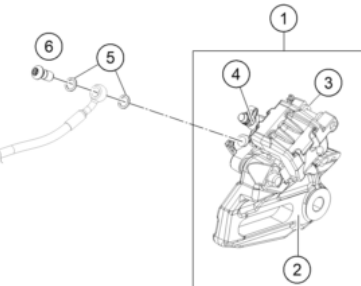
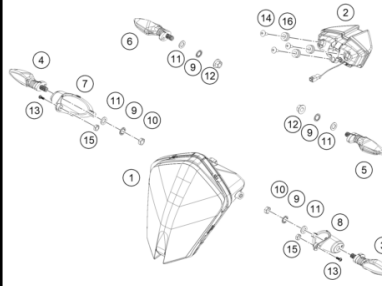
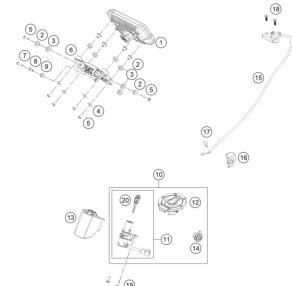



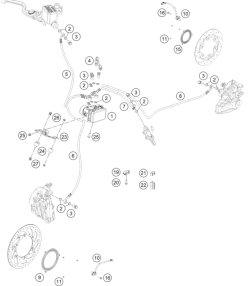


All information contained is without obligation. KTM Sportmotorcycle GmbH particularly reserves the right to modify any equipment, technical specifications, prices, colors, shapes, materials, services, service work, constructions, equipment and the like so as to adapt them to local conditions or to cancel any of the above items, all without previous announcement and without giving reasons. KTM may stop manufacturing certain models without previous notice. KTM shall not be held liable for any deviations of availability and/or ability to deliver, illustrations, descriptions, printing and/or other errors. The illustrated models partly contain extra equipment, which is not applied to standard models.

© by KTM Sportmotorcycle GmbH, Mattighofen AUSTRIA; All rights reserved; Reprint, also in extracts, with written allowance of KTM Sportmotorcycle GmbH, Mattighofen only.

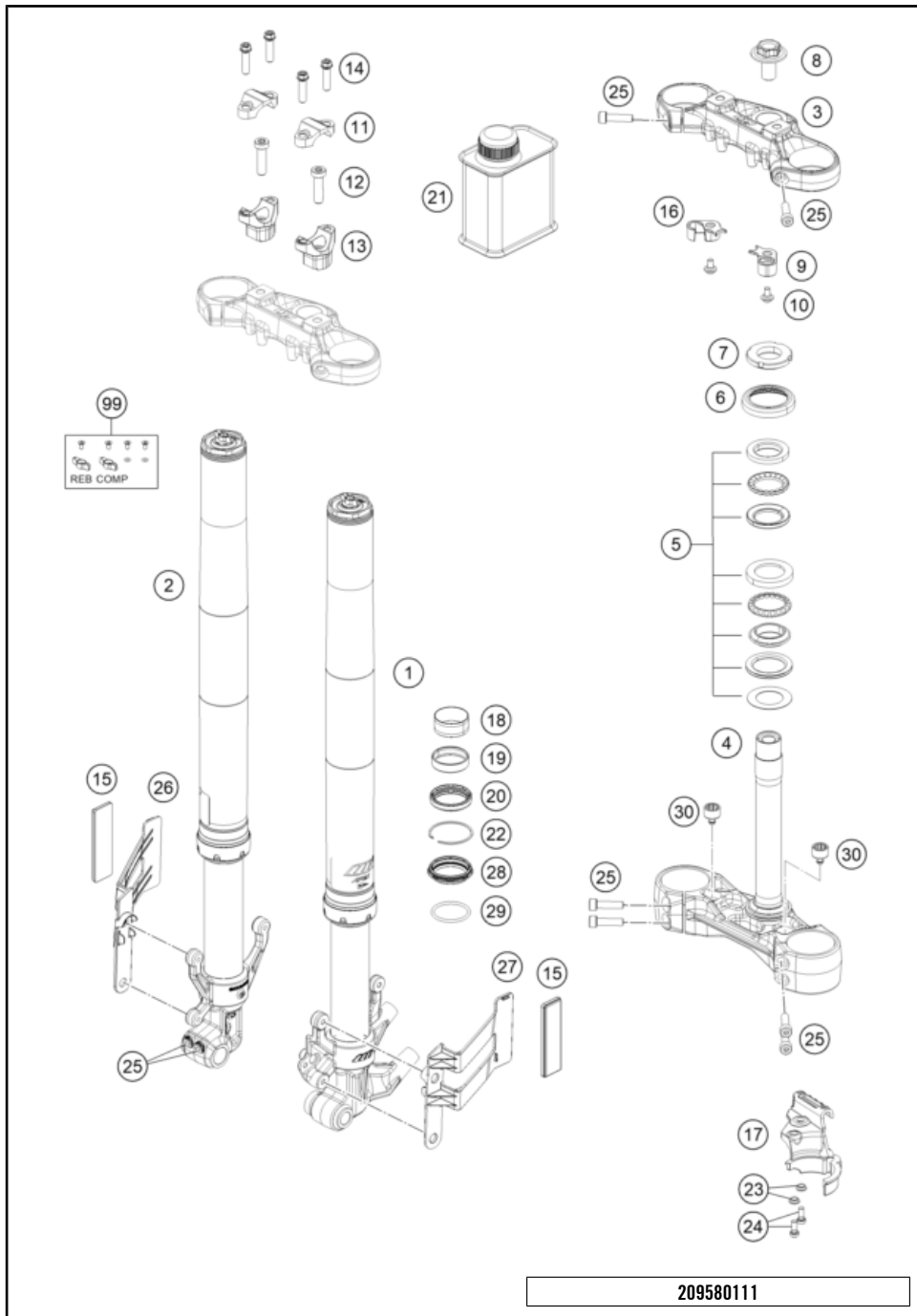
<p><b>FRONT FORK, TRIPLE CLAMP</b></p>  <p><b>4</b></p>	<p><b>HANDLEBAR, CONTROLS</b></p>  <p><b>5</b></p>	<p><b>FRAME</b></p>  <p><b>6</b></p>	<p><b>SUBFRAME</b></p>  <p><b>8</b></p>
<p><b>SIDE / CENTER STAND</b></p>  <p><b>9</b></p>	<p><b>SHOCK ABSORBER</b></p>  <p><b>10</b></p>	<p><b>SWING ARM</b></p>  <p><b>11</b></p>	<p><b>EXHAUST SYSTEM</b></p>  <p><b>12</b></p>
<p><b>AIR FILTER</b></p>  <p><b>13</b></p>	<p><b>TANK, SEAT</b></p>  <p><b>14</b></p>	<p><b>FUEL PUMP</b></p>  <p><b>15</b></p>	<p><b>MASK, FENDERS</b></p>  <p><b>16</b></p>

<p><b>COVER</b></p>  <p><b>18</b></p>	<p><b>SIDE TRIM</b></p>  <p><b>19</b></p>	<p><b>DECAL</b></p>  <p><b>20</b></p>	<p><b>FRONT WHEEL</b></p>  <p><b>21</b></p>
<p><b>REAR WHEEL</b></p>  <p><b>22</b></p>	<p><b>WIRING HARNESS</b></p>  <p><b>23</b></p>	<p><b>FRONT BRAKE CONTROL</b></p>  <p><b>24</b></p>	<p><b>REAR BRAKE CONTROL</b></p>  <p><b>25</b></p>
<p><b>FRONT BRAKE CALIPER</b></p>  <p><b>26</b></p>	<p><b>REAR BRAKE CALIPER</b></p>  <p><b>27</b></p>	<p><b>LIGHTING SYSTEM</b></p>  <p><b>28</b></p>	<p><b>INSTRUMENTS / LOCK SYSTEM</b></p>  <p><b>29</b></p>

<p><b>EVAPORATIVE CANISTER</b></p>  <p><b>30</b></p>	<p><b>ABS</b></p>  <p><b>31</b></p>		

# FRONT FORK, TRIPLE CLAMP

# 390 ADVENTURE SPOKE W, orange 2024 EU 2024



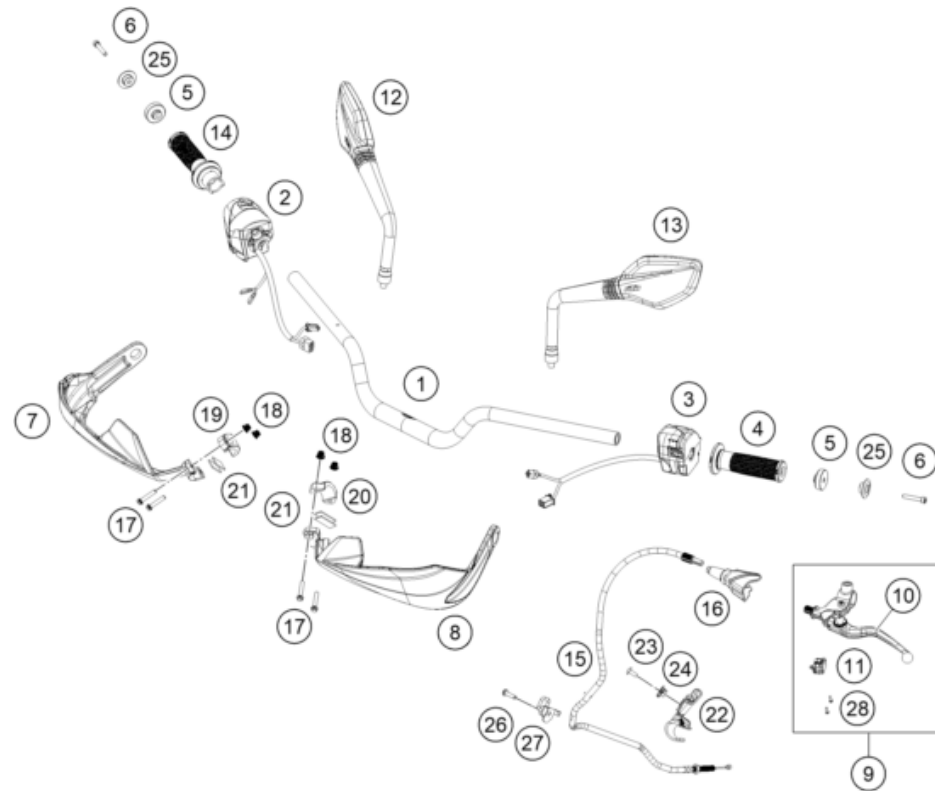
POS	PARTNUMBER		PIECE
1	95801001000	Fork leg left	1
2	95801002000	Fork leg right	1
3	95801034033	Top triple clamp	1
4	93001032133	assembly lower triple clamp GDC	1
5	90101080044	STEERING HEAD BEARING-KIT	1
6	90101086000	protection cap	1
7	90101036100	Adjusting ring steering head	1
8	90501044000	steering head screw	1
9	95801070000	Brake hose bracket left	1
10	93008020060	Screw M6X1X9	2
11	95801038000	Handlebar clamp	2
12	J912100303	bolt socket-m10x1.25xl 30xbright	2
13	95801039041	Handlebar mount, 41 mm	2
14	J912080293	Bolt socket-M8X1.25XI 29Xblack	4
15	90512082000	SIDE REFLECTOR FRONT	2
16	95801071000	Clutch cable wire bracket right	1
17	93013055000	Hose clamp	1
18	43578014	GUIDE BUSH LOWER	2
19	43578016	GUIDE BUSH UPPER	2
20	43570623	Shaft seal SKF 43x52,9x11,4 black	2
21	48600765S1	FORK OIL SAE5 5L 2008	x
22	43578044	CIRCLIP	2
23	90113055010	sleeve for hose clamp	2
24	J021060156	AH SCREW M6X15 10.9	2
25	90501045000	AH SCREW M8X1.25X30	8
26	95812084000	Reflector holder right	1
27	95812083000	Reflector holder left	1
28	43570624	Dirt scarper SKF 43mm black	2
29	43578219	O-ring 40x2,5 VMQ70 red ISO 3601	2
30	93014015000	Rubber bushing	2
99	RP10021	Adjuster kit screw cap	x

209580111

49963

\* NEW PART

X ON DEMAND



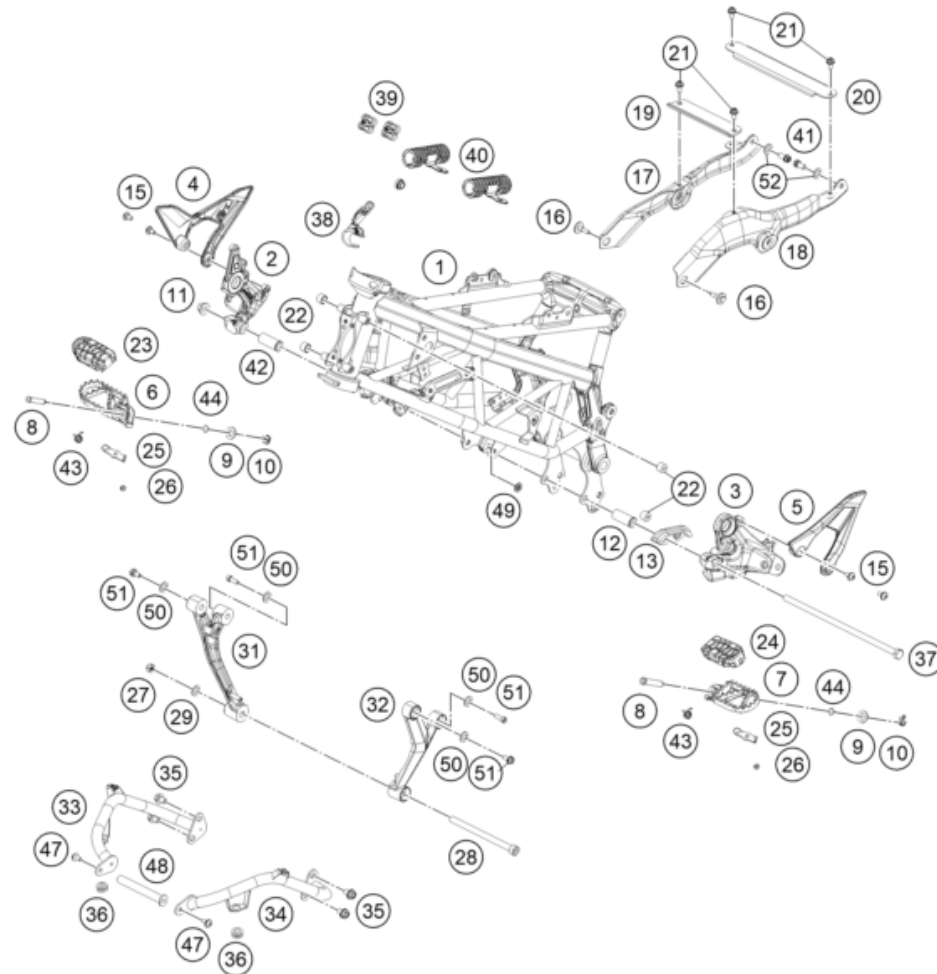
POS	PARTNUMBER		PIECE
1	95802001000	Handlebar L=760mm, Dia.=28,5mm	1
2	95802010044	Throttle, compl.	1
3	95811070000	Light switch	1
4	90802039000	HAND GRIP L/S	1
5	95802080052	COLLAR	2
6	J900000603500	Hexagon socket screw, M6x35	2
7	95802081000C11	HAND GUARD RH JG231213 BLACK MATT	1
8	95802080000C11	HAND GUARD LH JG231212 BLACK MATT	1
9	95802031000	Clutch assembly	1
10	93502031100	Clutch lever	1
11	90111149000	Clutch switch	1
12	93012041000	Mirror right	1
13	93012040000	Mirror left	1
14	93702010033	THROTTLE GRIP	1
15	95802090000	clutch cable wire	1
16	93802016000	BOOT CLUTCH LEVER	1
17	J000150603000	bolt-flange-kae st-f dia-06 l-30	4
18	J910000600900	nut nyloc flanged	4
19	95802081010	Clamp, handguard, right	1
20	95802080010	Clamp, handguard, left	1
21	95802080020	Cellular rubber band 15x35 mm	4
22	95832060050	Guide clutch cable	1
23	J031050121	Roundhead screw M4X12	1
24	90108050001	CLIP NUT M5	1
25	95802080051	Collar	2
26	J912080251	Hexagon screw M8X25	1
27	95803001086	Clutch cable guide	1
28	90232014002	Screw pan cross M3x0.5	2

209580210

63659

\* NEW PART

X ON DEMAND



POS	PARTNUMBER	PIECE	
1	95803001044EB	KIT FRAME FRONT ADV 390 ORANGE	1
2	95803039000C1	S HOLD RIDER RHJG113085 BL MATT ANODIZED	1
3	95803038000C1	S HOLD RIDER LHJG113084 BL MATT ANODIZED	1
4	95803139050	Front heel protector right	1
5	95803138040	Front heel protector left	1
6	95803041133	Footpeg, front right, cmpl.	1
7	95803040050	Footpeg tread, front left	1
8	93003054000	Pin footrest pivot black	2
9	J125080005	WASHER M8	2
10	J094020186	pin cotter-dia. 2.5x18	2
11	90103038002	FLANGED NUT M10X1.25 WS14	1
12	95803038010	Spacer	2
13	95804070000	Chain sliding guard	1
15	93008020060	Screw M6X1X9	8
16	J025080246	Hex collar screw. M8x23.5	1
17	95803001072	seat support side panel right cpl.	1
18	95803001071	seat support side panel left cpl.	1
19	95803001081	seat support cross connection front	1
20	95803001082	seat support cross connection rear	1
21	J025060122	Hex collar screw M6X12	4
22	95803001088	Bushing	4
23	95803040010	Damper, front right	1
24	95803041010	Damper, front left	1
25	95803044010	Retaining bracket, damper	2
26	J910000800500	NUT NYLOC-M5X0.8XHT. 4.5XCL6XBLK	2
27	J910001001000	NUT HEX FLANGED	1
28	J900001013500	BOLT SOCKET M10X1.25	1
29	J125100009	Washer M10	1
31	93303006000	Engine brace right	1
32	93303005000	Engine brace left250/390	1
33	95808005000	Mask support pipe, right	1
34	95808006000	Mask support left	1
35	J031080146	screw button head-m8x1.25x14xbl	4
36	93014017000	Rubber bushing	2
37	J025102656	HH COLLAR SCREW M10X1,25X265	1
38	95832060050	Guide clutch cable	1
38	95832060050	Guide clutch cable	1

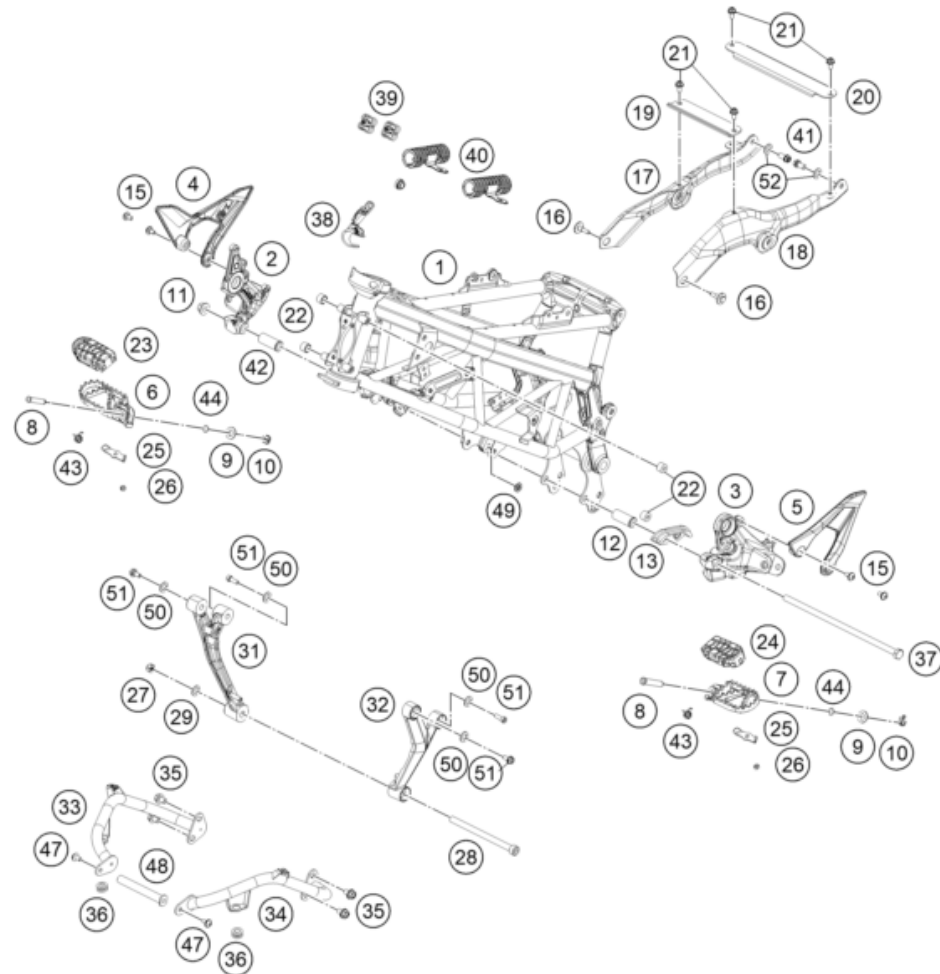
209580311

63658

\* NEW PART

X ON DEMAND





POS	PARTNUMBER		PIECE
39	95813046000	Hose guide	1
40	95807012000	Tank support rubber	2
41	90103007000	Bolt Socket Head M8	2
42	95803039010	Distance sleeve	1
43	90103042000	footrest return spring	2
44	J770009015	O-RING 9X1,5	2
47	90808043000	SPECIAL SCREW M6X1X16	2
48	95814010040	Wheel spindle mask support	1
49	90108023100	Clip	1
50	J125080006	Washer M8	4
51	J912080251	Hexagon screw M8X25	2
52	J125100002	Washer, M8	2

209580311

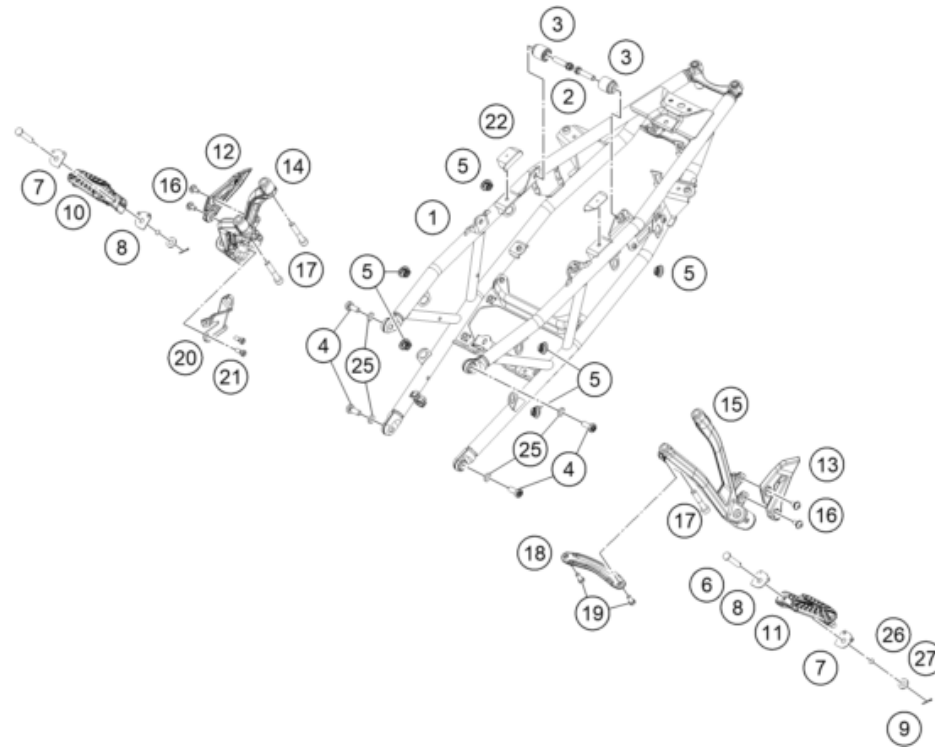
63658

\* NEW PART

X ON DEMAND

# SUBFRAME

# 390 ADVENTURE SPOKE W, orange 2024 EU 2024



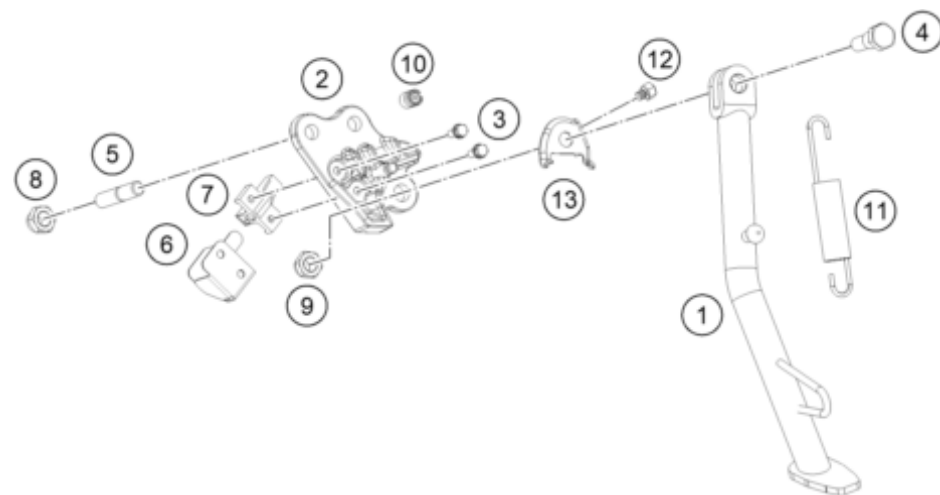
POS	PARTNUMBER		PIECE
1	95803002044C1	Subframe jet black	1
2	J900000803500	bolt soket-m8x1.25xl35xcl8.8xbrt	2
3	93007047033	Seat support complete	2
4	J912080251	Hexagon screw M8X25	4
5	93011068010	Rubber grommet ignition lock cover	6
6	93003054000	Pin footrest pivot black	2
7	93003052000	Plate lock pillion step top	2
8	93003053000	Plate lock pillion step bottom	2
9	J094018250	PIN 25X1,8MM	2
10	93003151033	Rear footpeg cmpl. right	1
11	93003150033	Rear footpeg cmpl. left	1
12	95805089000	Heel protector, rear right	1
13	95805088000	Heel protector, rear left	1
14	95803049000C1	S HOL PILLION RHJG113083 BL MAT ANODIZED	1
15	95803048000C1	S HOL PILLION LHJG113081 BL MAT ANODIZED	1
16	93008020060	Screw M6X1X9	4
17	J047620804000S	Cap head bolt ISO 4762-M8x40-10.9	4
18	95803056000	Reinforcement footrest carrier	1
19	90134098000	Bolt socket head M6X1X20 L-precoated	2
20	95805084000	Silencer retaining bracket cmpl.	1
21	90511006100	BOLT SOCKET M6X1X14	2
22	95803002070	Protection cap	2
25	J690000801500	washer plain-id8.2xod15xt2xblack	4
26	J770009015	O-RING 9X1,5	2
27	J125080005	WASHER M8	2

209580315

59557

\* NEW PART

X ON DEMAND



POS	PARTNUMBER		PIECE
1	95803023000	Side stand	1
2	95803026000	Side stand bracket	1
3	J011050133	HH COLLAR SCREW M5X13 SW8	2
4	90103027000	SCREW F. SIDE STAND	1
5	95803027000	Threaded bolt M10	2
6	93011045110	Protection, side stand switch	1
7	93511045000	SWITCH SIDE STAND	1
8	93003034000	nut U flang-M10X1.25XHT.8.5XBRT	2
9	J982101253	SELF L. NUT M10X1,25 H11 WS17	1
10	90111040100	Bushing	1
11	90603024000	SIDE STAND SPRING	1
12	93503029000	Magnet bracket	1
13	95803023010	Magnet support	1

209580360

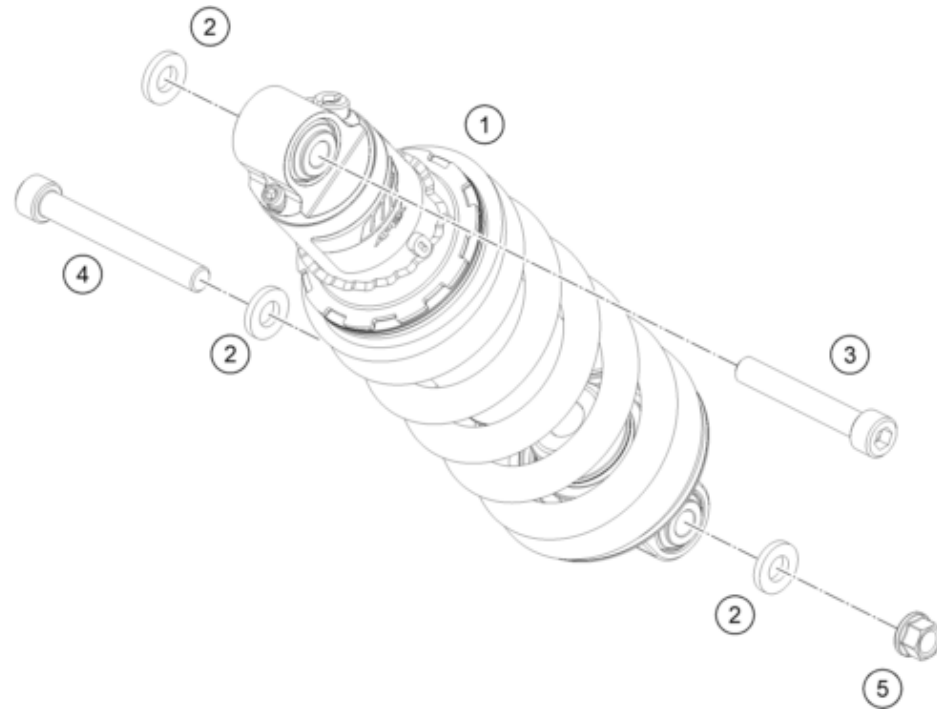
49971

\* NEW PART

X ON DEMAND

# SHOCK ABSORBER

# 390 ADVENTURE SPOKE W, orange 2024 EU 2024



POS	PARTNUMBER		PIECE
1	95804010000	Shock absorber	1
2	90104010003	PLAIN WASHER 10,2X20X3MM	3
3	93004016100	hexagon socket screw M10X1.25X62	1
4	J020100806	SHCS M10x1.25x80 - 10.9	1
5	90104010002	flanged hex nut M10x1.25 WS13	1

209580410

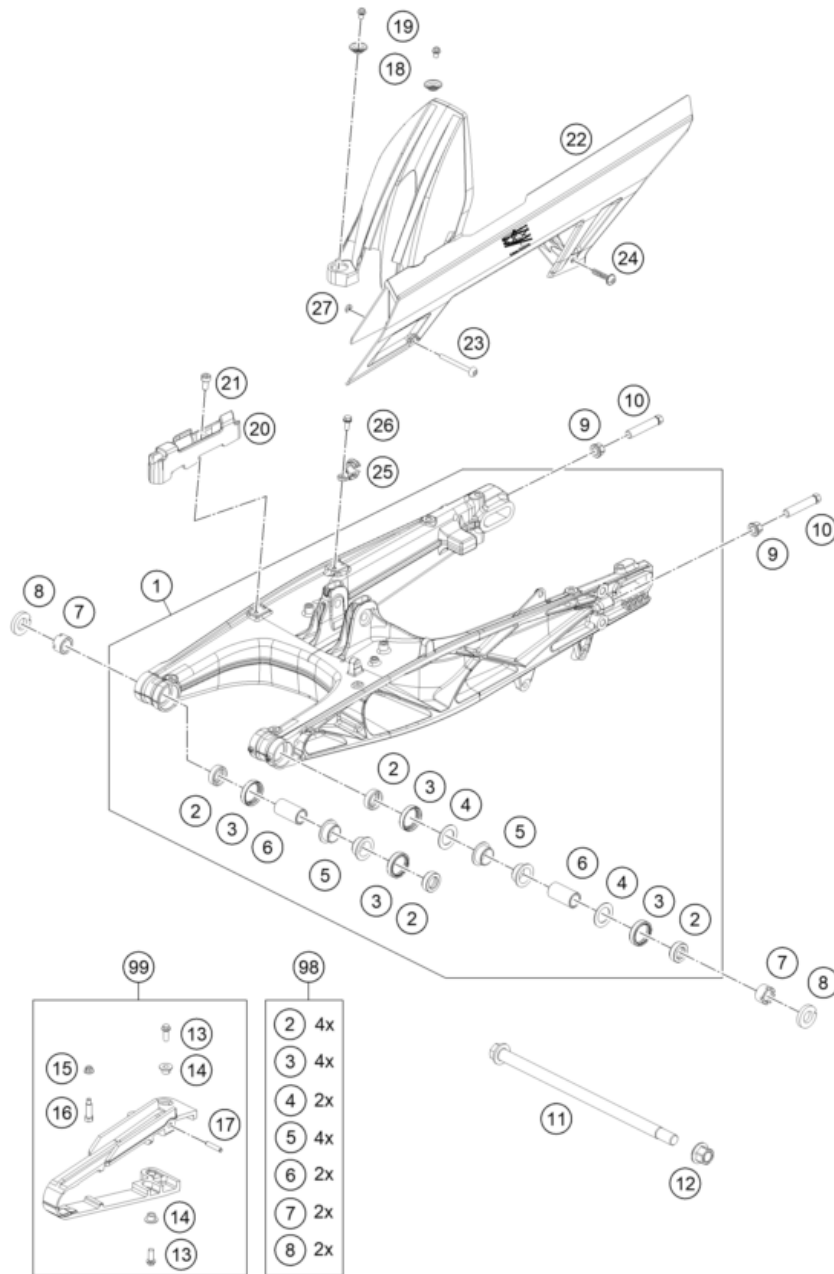
53194

\* NEW PART

X ON DEMAND

# SWING ARM

# 390 ADVENTURE SPOKE W, orange 2024 EU 2024



POS	PARTNUMBER		PIECE
1	95804030044	ADV 390 SWING ARM ASSLY 36xxx	1
2	90104034000	cup for radial shaft seal	4
3	90104034001	OIL SEAL RING 25X32X7	4
4	90104036000	Thrust washer 22.2x31.7x1	2
5	90104031000	Igus plain bearing	4
6	90104032000	sleeve bushing 15.1x20x38	2
7	90104046000	swingarm adjusting ring	2
8	93004042000	Special wahser	2
9	90104010002	flanged hex nut M10x1.25 WS13	2
10	90104040000	BOLT HEX M10X1.25X50 WS10	2
11	90104037000	Shaft swing arm L=299mm	1
12	90104038000	FLANGED NUT M14X1.5	1
13	J025060169	HH COLLAR SCREW M6X16 SW8	2
14	90604062000	chain slider bushing	2
15	J06923050053	Hex collar nut, M5	1
16	90104040100	screw M5x0.8x30	1
17	90904070020	SLEEVE CHAIN GUARD	1
18	93004051000	Supporting shell	2
19	J025060081	Hex collar screw M6X8	2
20	94513047000	clamp hose	1
21	J912050102	bolt soket-m5x0.8x10xcl10.9xbl	1
22	93004060100	Chain cover	1
23	93004065000	hexagon socket screw M5X0.8X55	1
24	93004064000	Plastic screw 6x30	1
25	94513047010	clamp hose	1
26	J011050133	HH COLLAR SCREW M5X13 SW8	1
27	90504067000	WASHER CHAIN SLIDING GUARD	1
98	90104230010	SWINGARM REP. KIT 11-17	x
99	90104066210	CHAIN GUARD KIT 250/390	x

209580490

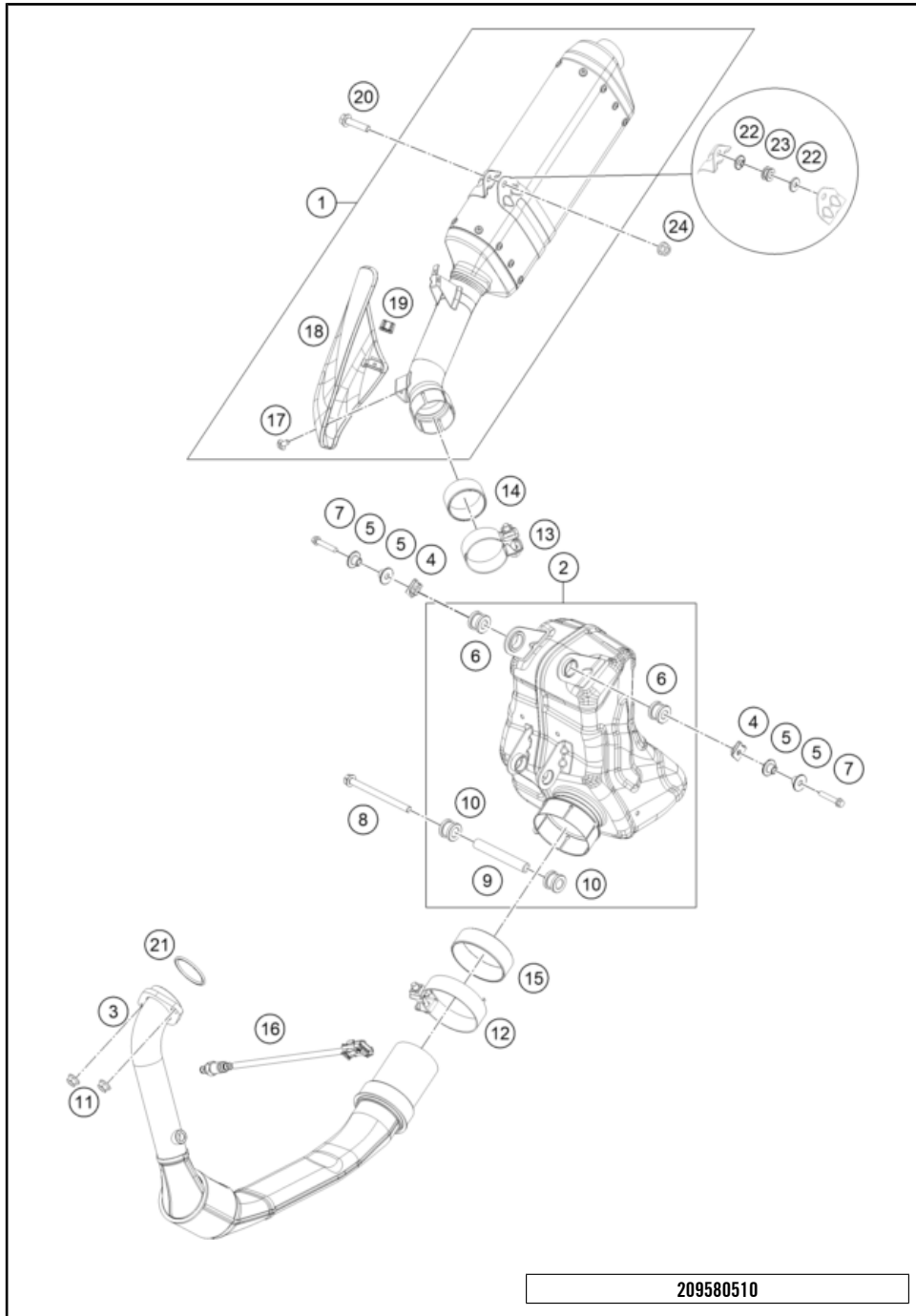
63685

\* NEW PART

X ON DEMAND

# EXHAUST SYSTEM

# 390 ADVENTURE SPOKE W, orange 2024 EU 2024



POS	PARTNUMBER		PIECE
1	95805083000	Muffler	1
2	28105050044	ASSEMBLY PREMUFFLER	1
3	94305007031	PIPE ASSEMBLY A	1
4	90103097000	clip nut	2
5	90205086001	muffler mounting spacer bushing	4
6	90205068000	damper, bottom	2
7	90105000002	BOLT SILENCER MTG	2
8	J027081053	HH COLLAR SCREW M8X105 SW12	1
9	90105084000	muffler mounting tube	1
10	90105068100	damper, bottom	2
11	J926080003	Hex collar nut M6	2
12	94305051000	Exhaust clamp	1
13	95805051010	Exhaust pipe clamp	1
14	94305050071	Exhaust flange gasket, muffler	1
15	94305050072	Exhaust flange gasket, pre-muffler	1
16	94341090000	Oxygen sensor	1
17	J031060103	Lens head screw M6X10	1
18	95805090033	Heat protection, rear	1
19	93805011003	GROMMET MUFFLER SHIELD	2
20	J025080353	BOLT FLANGED M8X35	1
21	90105004000	exhaust flange gasket	1
22	93805095000	BUSH MUFFLER	2
23	93805096000	DAMPER MUFFLER	1
24	J692080006	nut hex flange-M8x1.25xcl8xdacro	1

209580510

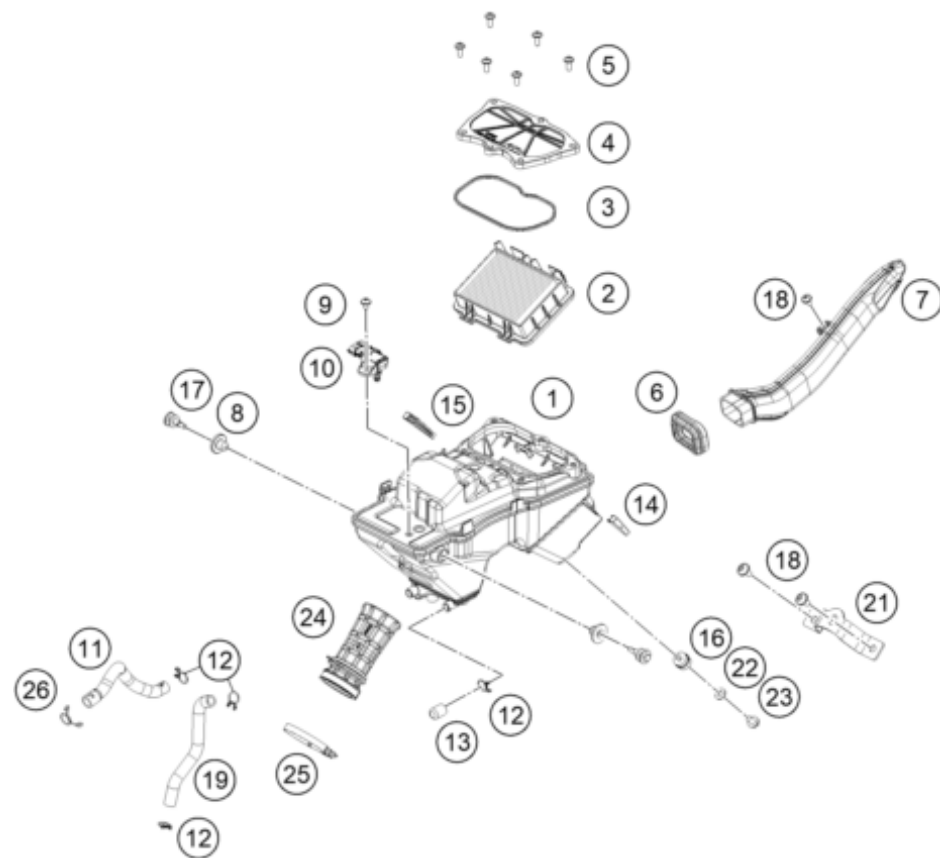
18448

\* NEW PART

X ON DEMAND

# AIR FILTER

# 390 ADVENTURE SPOKE W, orange 2024 EU 2024

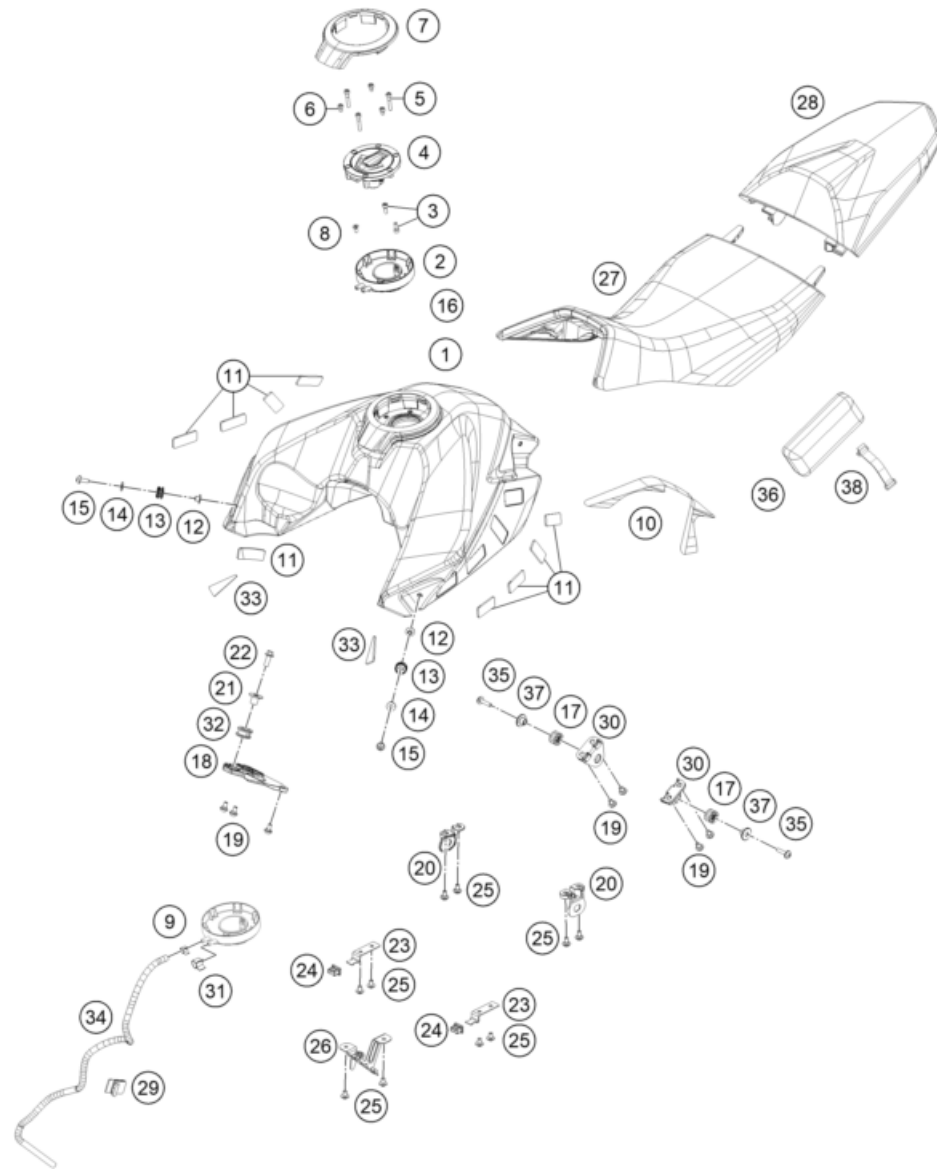


POS	PARTNUMBER		PIECE
1	94306001000	Air filter box	1
2	93006015000	FILTER	1
3	93006020050	Seal	1
4	93006002000	Air filter box cover	1
5	93006039000	Flat-head screw M6	6
6	93006001060	Carburetor connection boot	1
7	95806040000	Intake snorkel	1
8	93006001080	Damping rubber	2
9	J031060103	Lens head screw M6X10	1
10	90141071000	TMAP-SENSOR	1
11	93030088050	Engine vent hose	1
12	90130087001	HOSE CLAMP	4
13	93030089000	Plug	1
14	93006001015	Rubber cowl pad	1
15	93006021000	Distance piece air filter box right	1
16	90106001007	SILENT BLOCK AIRFILTER	1
17	J025080246	Hex collar screw. M8x23.5	2
18	90508006001	SOCKET HEAD BOLT M6X12	3
19	93030087050	Engine vent hose	1
21	95803002021	Retaining bracket, air filter box	1
22	J125060004	Washer, M6	1
23	J025060082	bolt-flanged-small	1
24	93306026000	CONNECTING TUBE	1
25	90241002010	hose clamp	1
26	90607017000	CLAMP 16MM	1

209580611

49081

\* NEW PART X ON DEMAND



POS	PARTNUMBER		PIECE
1	95807013144EB	fuel tank	1
2	95807008050	Tank insert	1
3	90508018001	SOCKET HEAD BOLT M5X12	2
4	95807108000	cap tank fuel	1
5	J912050303	bolt master kac	3
6	J912050106	BOLT MASTER KAC	3
7	95807058000	Fuel tank fairing	1
8	J900000501201	screw csk socket m5x0.8	1
9	90607017002	CLAMP D9	1
10	95807011000	Tank pad	1
11	95807012020	Tank support rubber	10
12	95807013070	Tank bushing	2
13	95807013060	Tank bushing	2
14	J125060005	washer plain id-6.2xod16xthk1xblk	2
15	90808043000	SPECIAL SCREW M6X1X16	2
16	95807008052	Fuel tank cap seal	1
17	69007027000	rubber grommet, tank mounting	3
18	95807013040	bottom tank mounting	1
19	93008020060	Screw M6X1X9	7
20	95807013015	Spoilerbracket	2
21	95807028000	Collar bushing	1
22	J025080256	Hex collar screw. M8x25	1
23	95807013025	Inside cover retaining bracket	2
24	90108060002	DAMP. RUBBER II RADIATOR PROT	2
25	J031060103	Lens head screw M6X10	10
26	95842091100	Bracket sensor lean angle	1
27	95807040000	Seat 390 Adventure	1
28	95807047000	seat passenger 390 Adv.	1
29	90107029000	BRACKET DRAIN TUBE CPL.	1
30	95807013030	tank lug	2
31	90607017003	SPRING BAND CLAMP D13	1
32	95807027000	Rubber grommet	1
33	95807012010	Tank support rubber, spoiler	2
34	95815000680	Act. charcoal filter hose L=680mm	1
35	J031060253	screw button head-m6x1x125xbrt	2
36	95829099000	Tool set	1
37	J800000701500	Collar bushing	2
38	95808023020	Rubber band, tool set	1

229580710

63660

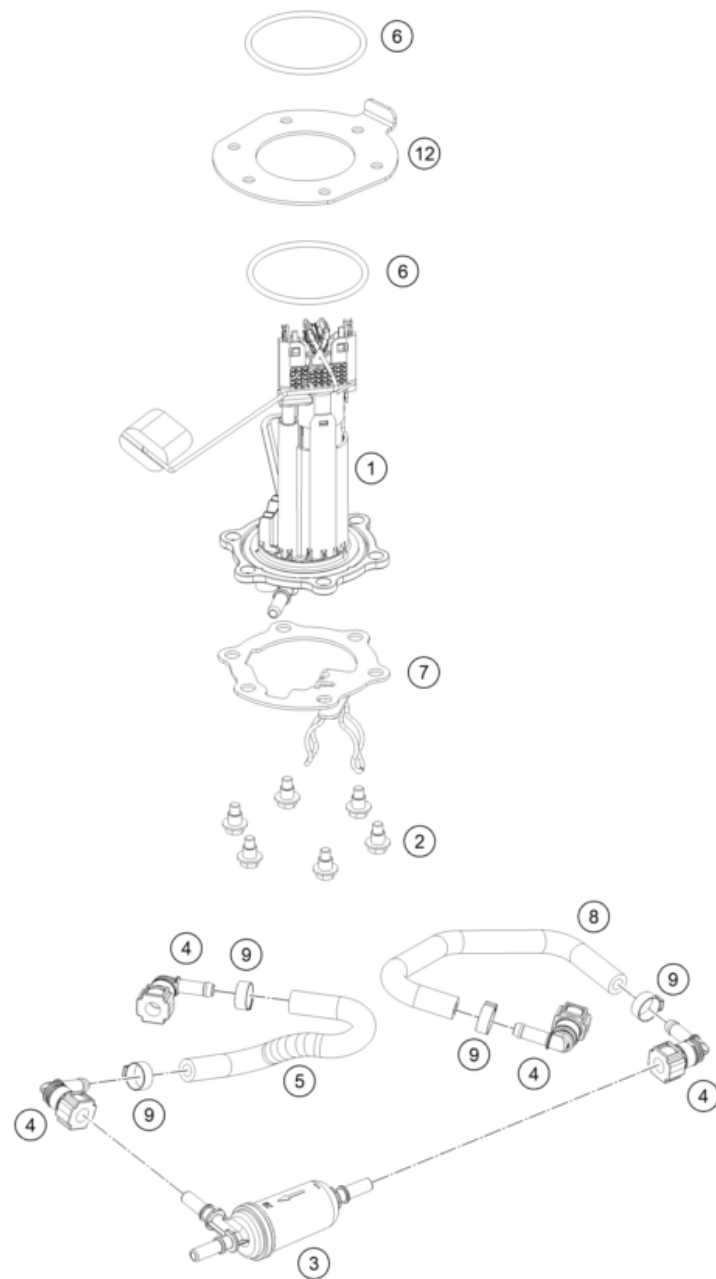
\* NEW PART

X ON DEMAND



# FUEL PUMP

# 390 ADVENTURE SPOKE W, orange 2024 EU 2024



POS	PARTNUMBER		PIECE
1	95807088000	Fuel pump	1
2	J031060186	screw butn head-m6x1x18xbrxstep	6
3	93807018000	fuel filter	1
4	28107028000	Angle piece	4
5	J600000820000	pipe fuel	2
6	93007089000	Fuel pump seal	1
7	95807013150	PLATE PUMP FUEL	1
8	J600000824800	pipe fuel	2
9	J300000701600	Oetiker clamp D=14	4
12	95807088020	Fuel pump reinforcement plate	1

229580730

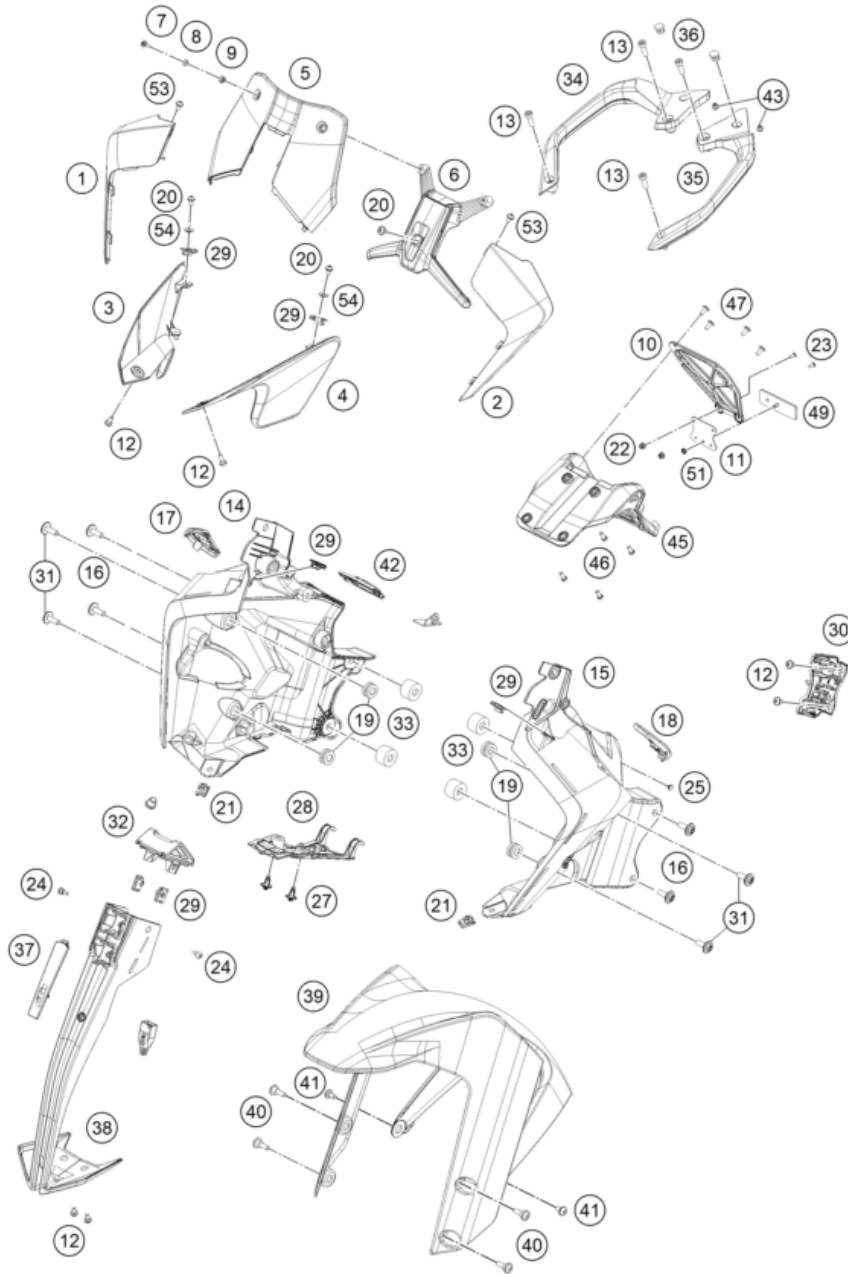
57981

\* NEW PART

X ON DEMAND

# MASK, FENDERS

# 390 ADVENTURE SPOKE W, orange 2024 EU 2024



209580810

POS	PARTNUMBER		PIECE
1	95808001020	headlight mask right	1
2	95808001010	Headlight mask, left	1
3	95808104000	FLAP LAMP HEAD RH	1
4	95808103000	FLAP LAMP HEAD LH	1
5	95808108000	Windshield R EU	1
6	95808008050	Windshield holder	1
7	J031060183	Roundhead screw M5X18	2
8	93014062010	Collar TFT speedo small	2
9	90507040001	RUBBER SLEEVE	2
10	95812181000	Reflector holder	1
11	90514044000	REFLECTOR MOUNTING	1
12	93008020060	Screw M6X1X9	6
13	J912080306	Bolt soket-M8X1.25XL30XBLXPRECOT	4
14	95814011000	Mask support, right	1
15	95814010000	Maskcarrier left	1
16	95814013020	screw button head-m6x1xl 16xstep	4
17	95814011080	Connector cover, right	1
18	95814010080	Connector cover, left	1
19	93014017000	Rubber bushing	4
20	J031050101	screw butn hd-m5x0.8xl10xblkxstep	5
21	93008084010	Range change metal nut M6	2
22	90102031010	HEX NUT M5 AF8	2
23	J005050123	FLAT HEAD SCREW M5X12 PH	2
24	95814013010	Oval head screw M5x10	2
25	J650001000200	Plug	1
27	93814050000	RIVET	2
28	95814010020	Cable cover, mask support	1
29	93008083010	Clip Nut M5	6
30	95811048000	Front connector support	1
31	J031060101	screw butn hd-m6x1xl10xblkxstep	4
32	95814011020	Cover mask support	1
33	95803001088	Bushing	4
34	95812009000	Holding bracket, right	1
35	95812008000	Holding bracket, left	1
36	95812008030	Cover	2
37	95814012010	Headlight mask cover	1
38	9581401200056	ADV390 COVR MASK MIDDLE GUNMETAL METALIC	1

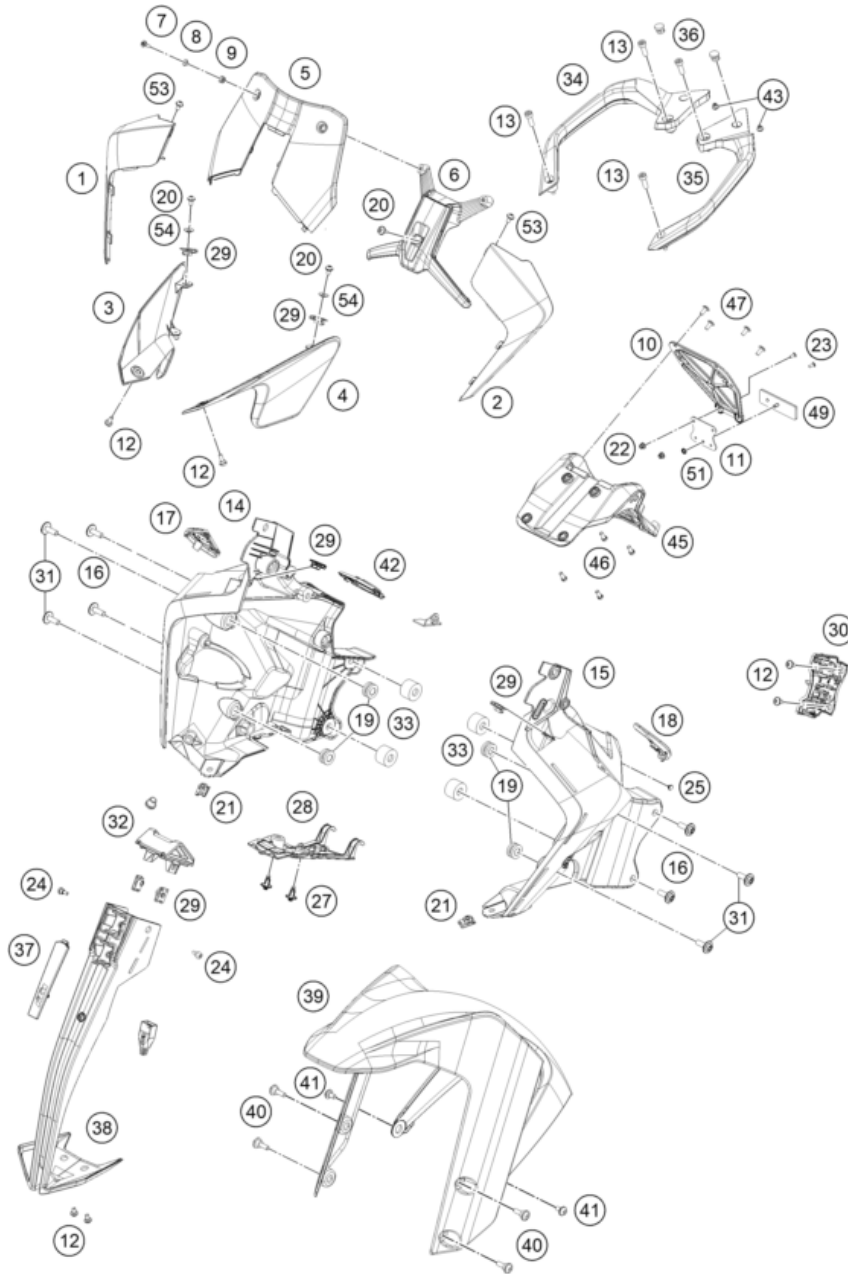
63653

\* NEW PART

X ON DEMAND

# MASK, FENDERS

# 390 ADVENTURE SPOKE W, orange 2024 EU 2024



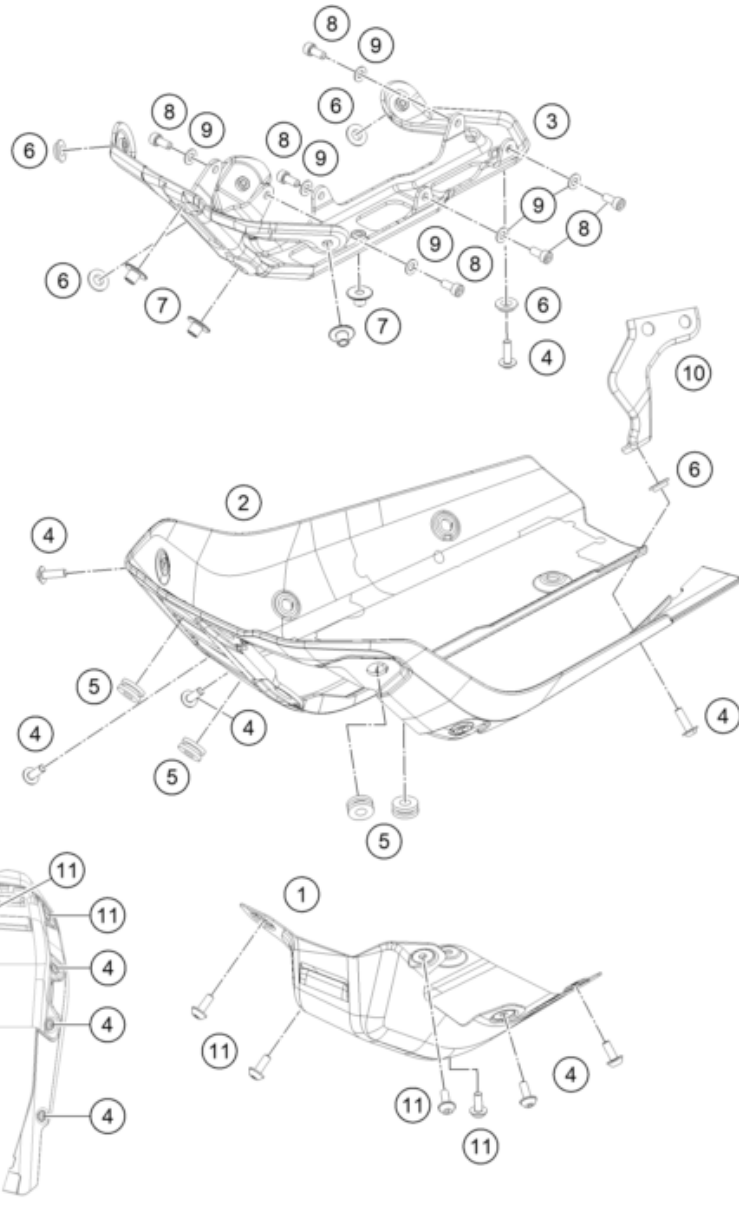
POS	PARTNUMBER		PIECE
39	95808010000	Front fender	1
40	95808010070	Roundhead screw, M6x16	4
41	J900000601200	Oval head screw M6x12	2
42	95811042050	Cover, 12#V power socket	1
43	J650001200500	Rubber buffer	2
45	95808015000	numberplate carrier	1
46	J900000601601S	Cyl.screw M6x16-8.8	4
47	93008037000	Panhead screw M6	4
49	90514045000	REFLECTOR	1
51	J06923050053	Hex collar nut, M5	1
53	J031050136	screw butn hd-m5x0.8x13xblkxstep	2
54	J800000600400	Collar bushing 6.2x4x9	2

209580810

63653

\* NEW PART

X ON DEMAND



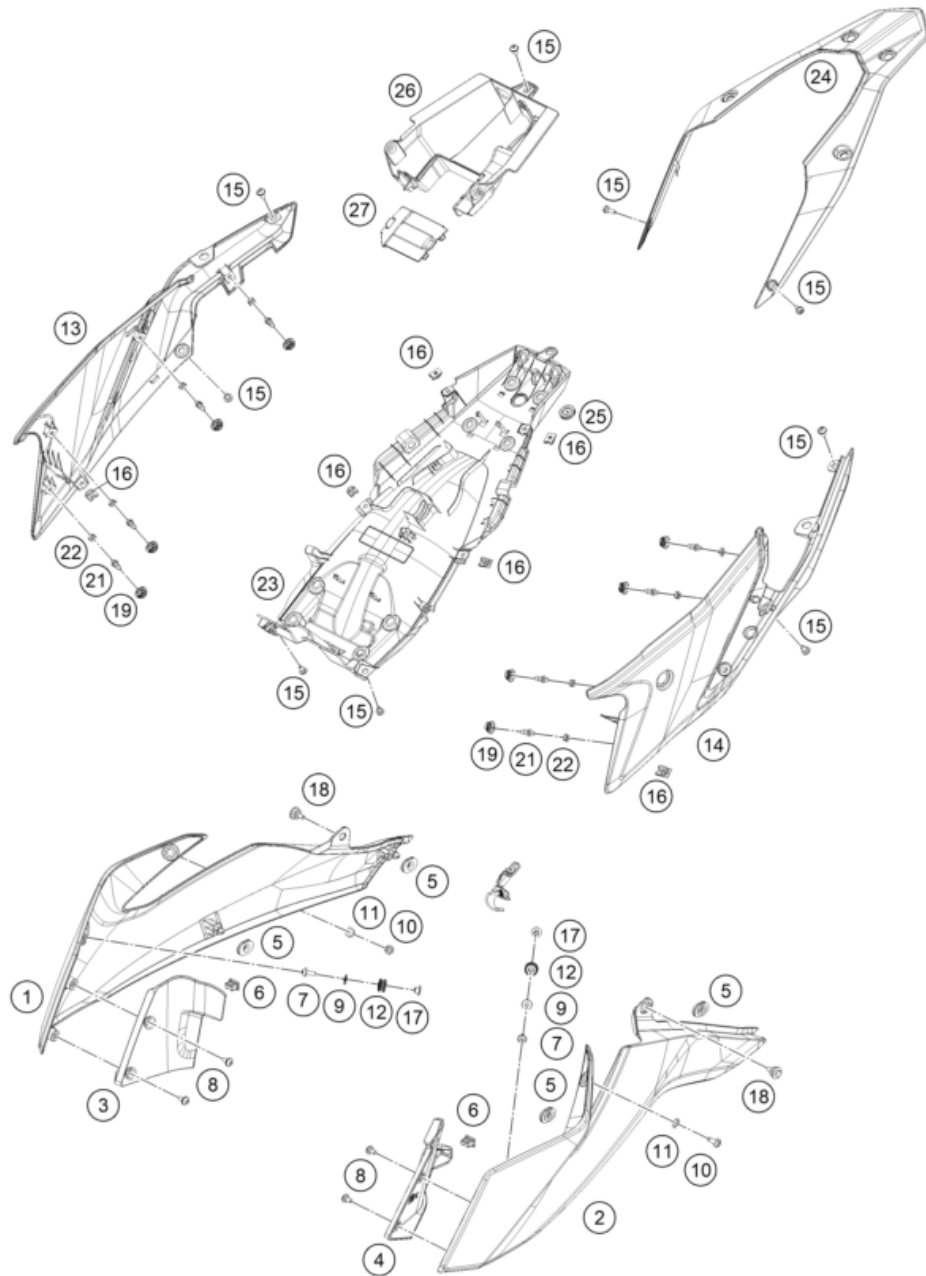
POS	PARTNUMBER		PIECE
1	95808020010	Front spoiler, front part	1
2	95808020000	Front spoiler	1
3	95808020050	Bracket Assembly Belly Pan front	1
4	90508006003	AH SCREW M6X1X20	7
5	93008028050	Rubber bushing	4
6	95808020030	Bushing	5
7	93035065030	distance sleeve	4
8	90502012001	BOLT SOCKET-M6X1XL14XCL 10.9XB	6
9	J125060006	Washer M6	6
10	95808020025	Rear retaining bracket, front spoiler	1
11	J031060256	Screw M6x25	4

209580815

49551

\* NEW PART

X ON DEMAND



POS	PARTNUMBER		PIECE
1	95808051000C1B	ADV390 SPOILER RH JG181297 RALLY DCL +LQR	1
2	95808050000C1B	ADV390 SPOILER LH JG181296 RALLY DCL +LQR	1
3	95808025000	Inner cover, top right	1
4	95808026000	Inside cover left	1
5	90108060003	GROMMET	4
6	90108060002	DAMP. RUBBER II RADIATOR PROT	2
7	90808043000	SPECIAL SCREW M6X1X16	2
8	93008040000	Screw M6X1X13	4
9	J125060005	washer plain id-6.2xod16xthk1xblk	2
10	J031060166	screw butn hd-m6x1xl 16xblkxstep	2
11	93009059000	Washer nylon	2
12	95807013060	Tank bushing	2
13	95808042000	COWL SEAT LOWER RH	1
14	95808041000	rear cover	1
15	93008020060	Screw M6X1X9	9
16	93008084010	Range change metal nut M6	2
17	95807013070	Tank bushing	2
18	J025060196	bolt flange-m6x1xl19xbrightxstep	2
19	93011068010	Rubber grommet ignition lock cover	6
21	95808041010	Pin quick release	8
22	95808041020	Special nut	8
23	95808019000	rear lower part	1
24	95808013000C1B	ADV390RALLY SEAT CWL UPR BLK GLS DCL +LQR	1
25	95808019010	Rubber grommet, wire support sleeve	1
26	95808023000	Rear part inner cover	1
27	95808023010	Starter relay cover	1

209580820

63662

\* NEW PART

X ON DEMAND

DECAL

390 ADVENTURE SPOKE W, orange 2024 EU 2024

1



POS	PARTNUMBER		PIECE
1	95808293044	Kit Decal Fender Front	1

239580830

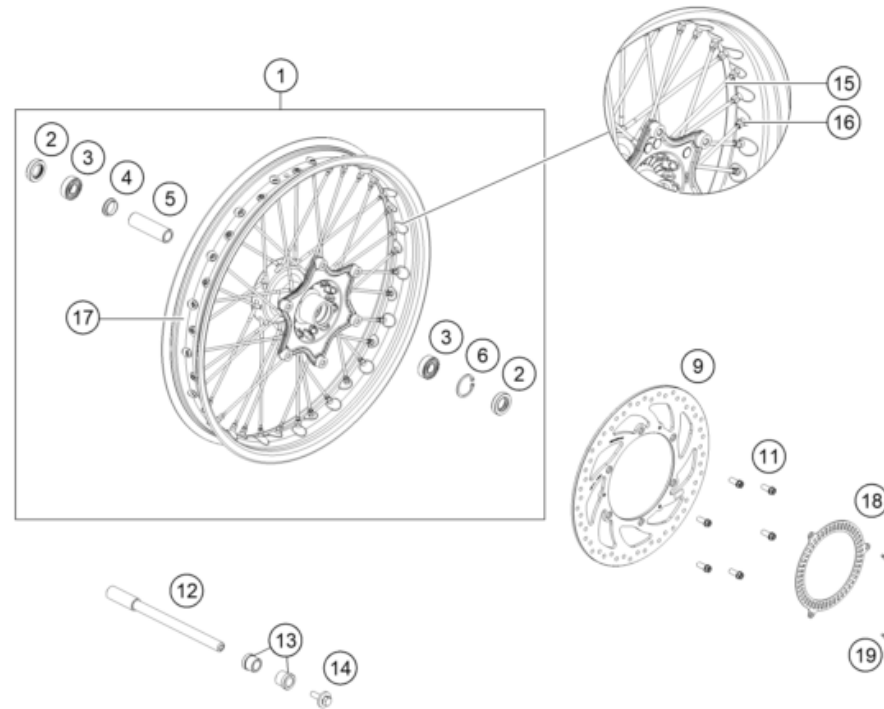
63663

\* NEW PART

X ON DEMAND

# FRONT WHEEL

# 390 ADVENTURE SPOKE W, orange 2024 EU 2024



POS	PARTNUMBER		PIECE
1	95809002133C1	Front wheel	1
2	J760223508	SHAFT SEAL RING 22X35X8	2
3	J625062023	BALL BEARING 6202	2
4	90109011001	Fixation bearing spacer tube	1
5	90109011000	Spacer front wheel	1
6	J472035156	Lock ring, 35x1.5	1
9	28109060000	disc-brake-front 320 mm	1
11	J025080206	Hex collar screw, M8x20	6
12	93009081000	Front axle	1
13	28109083000	Spacer, front wheel	2
14	90109082000	flanged bolt M8	1
15	95809071197C1	Spoke M5 / 3.9 x 197.3	36
16	28510072100	Spoke nipple M5x0.8	36
17	95809973000	Tube protector 197/35 1350	1
18	28142020000	Sensor wheel ABS front	1
19	J07046040086	Countersunk screw, M4X08	3

239580910

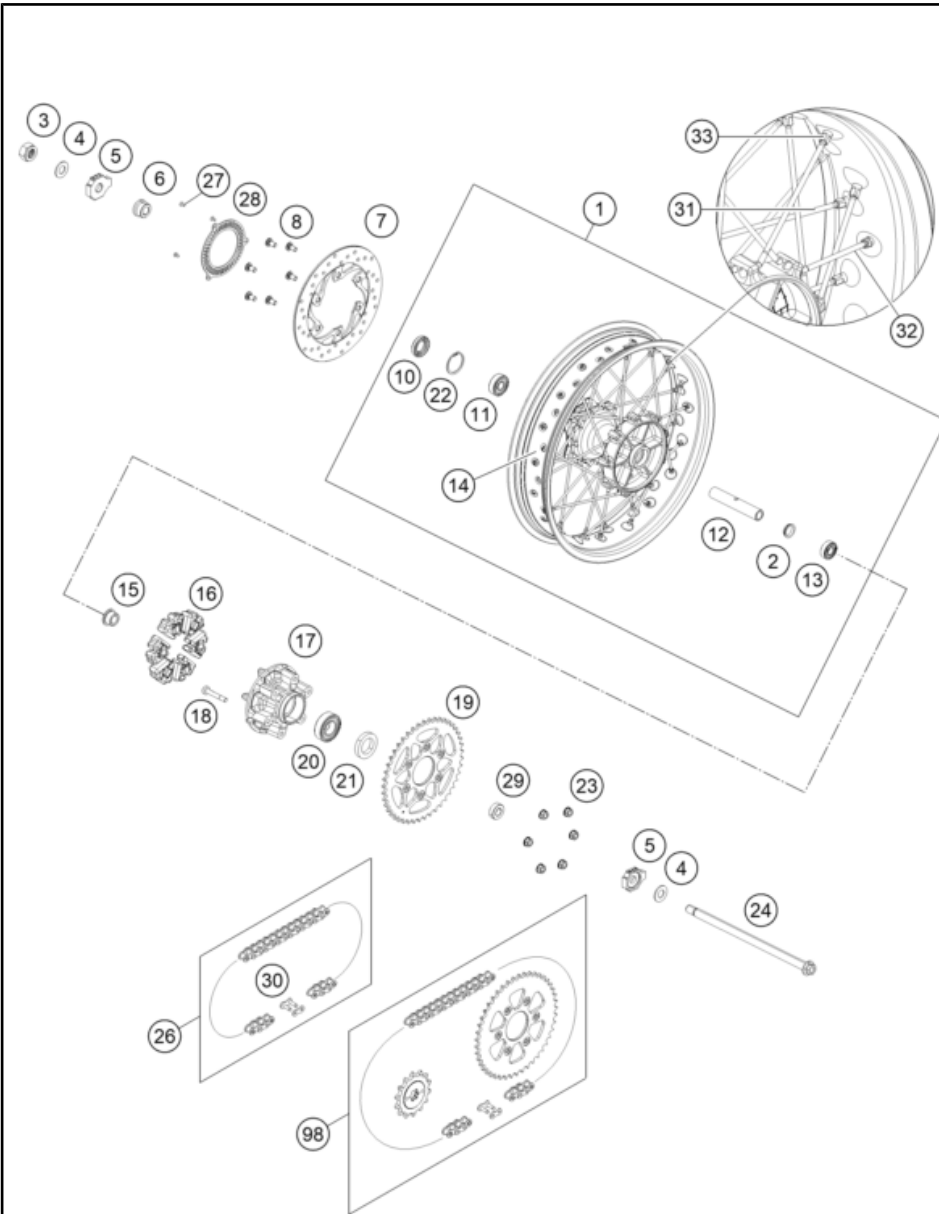
63674

\* NEW PART

X ON DEMAND

# REAR WHEEL

# 390 ADVENTURE SPOKE W, orange 2024 EU 2024



POS	PARTNUMBER		PIECE
1	95810002133C1	Rear wheel	1
2	90109011001	Fixation bearing spacer tube	2
3	90210086000	wheel spindle nut, rear	1
4	90610087000	washer 15.2x30x2	2
5	90110084000	chain tension adjuster, right	2
6	28110013000	Spacer, rear wheel right	1
7	90110060000	rear brake disk D=230mm	1
8	J900000801900	Hexagon socket screw M8x19	6
10	J760264208	SHAFT SEAL RING 26X42X8	1
11	J625063021	Grooved ball bearing 6302	1
12	28110011000	COLLAR BEARING	1
13	J625062023	BALL BEARING 6202	1
14	60710073000	Rimstape 18"	1
15	28110016000	Spacer, rear wheel left	1
16	90210059100	rear wheel dampening rubber	6
17	28110050000	Rear sprocket carrier, spoke rim	1
18	28110053000	Special screw M8x26 SS	6
19	95810051045	Rear sprocket 45T	1
20	J625062050	BALL BEARING 6205	1
21	J760295207	SHAFT SEAL RING 29X52X7	1
22	J472042176	Lock ring, 42x1.7	1
23	90510052000	FLANGED NUT M8X1,25	6
24	90210085000	Axle rear KT03	1
26	76910065118	chain DID 118 roll	1
27	J07046040086	Countersunk screw, M4X08	3
28	28142021000	Sensor wheel ABS rear	1
29	90110053000	SPACER CHAIN WHEEL SUPPORT	1
30	76910066000	Rivet link chain DID 520 VP2-T	x
31	2851007117030	Spoke M5/4.37/170 black	18
32	2851007118230	spoke M5/4.37/182 black	18
33	28510072100	Spoke nipple M5x0.8	36
98	00050002114	Drivetrain kit 15Z/45Z	1

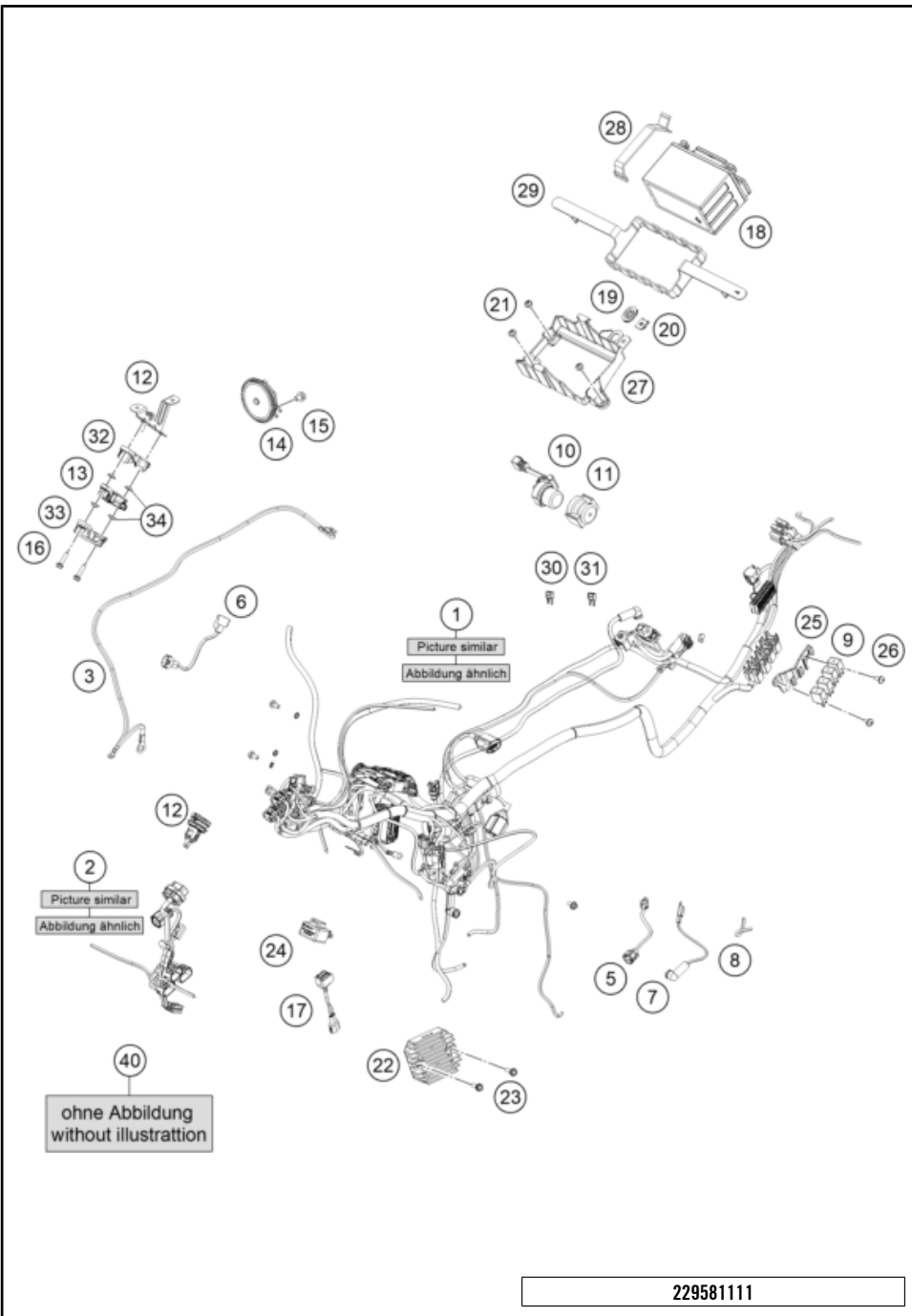
239581010

63677

\* NEW PART

X ON DEMAND





POS	PARTNUMBER		PIECE
1	95811075000	Main wiring harness	1
2	95811078000	Wiring harness mask	1
3	95811097000	Earth wire	1
5	93811099000	wiring harness temperatur sensor	1
6	93041080050	Cable	1
7	93038091000	Pigtail oil pressure switch	1
8	93511084000	PIGTAIL PH-3 FUEL PUMP	1
9	90611057000	relay (interlock)	4
10	93011058000	Starter relais	1
11	95811058050	Rubber grommet, starter relay	1
12	95811042033	Power socket, cmpl.	1
13	95842090000	SENSOR LEAN ANGLE	1
14	95811060000	HORN	1
15	J025080123	HH COLLAR SCREW M8X12 SW12	1
16	J900000604003	BOLT-FLANGE-KAE ST-F DIA-06 L-40	2
17	28111096000	Transil unit	1
18	90611053000	BATTERY 12V/8AH	1
19	95811055010	Rubber grommet	1
20	93008084010	Range change metal nut M6	1
21	90808073000	SPECIAL SCREW M6X1X10	3
22	90511034000	voltage regulator	1
23	J025060303	FLANGED BOLT M6X30 WS10	2
24	90511030000	indicator relay	1
25	95811031000	Relay bracket	1
26	90508006001	SOCKET HEAD BOLT M6X12	2
27	95811055000	battery holder plate	1
28	95811055070	Battery retaining pin top	1
29	95811055060	Battery retaining pin	1
30	93511088000	Fuse 10a	6
31	75011088015	FUSE 15A 07	4
32	95842092010	cover sensor lean angle lower	1
33	95842092020	sensor sensor lean angle upper	1
34	93035033010	Washer	4
40	93042033000	Cable earth ABS	1

229581111

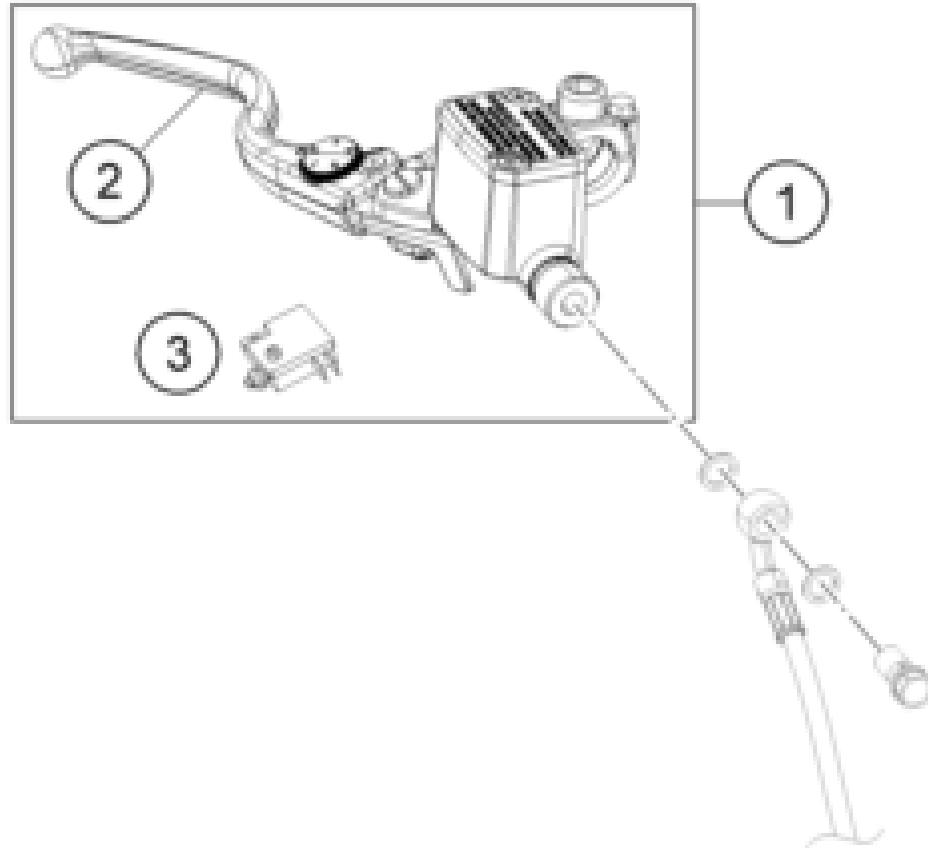
57993

\* NEW PART

X ON DEMAND

# FRONT BRAKE CONTROL

# 390 ADVENTURE SPOKE W, orange 2024 EU 2024



POS	PARTNUMBER		PIECE
1	28513001033	Front master cylinder PAU	1
2	93713002033	Brake lever cpl.	1
3	90111050000	brake light switch, front	1

209581310

52777

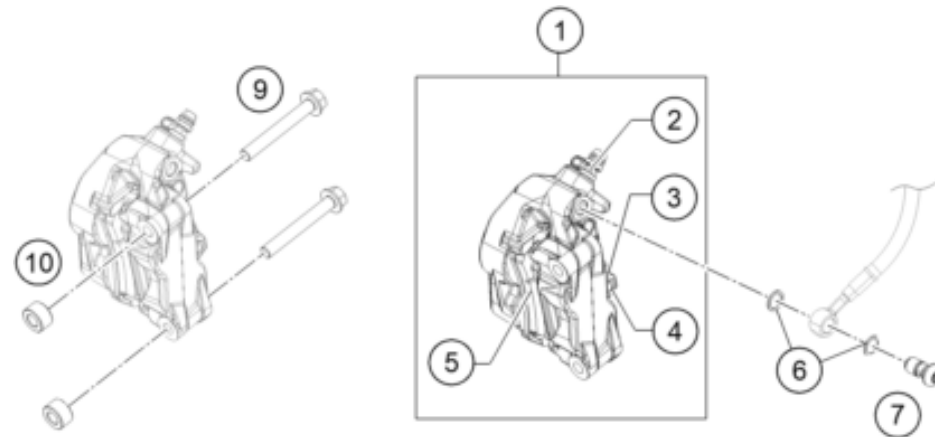
\* NEW PART

X ON DEMAND



# FRONT BRAKE CALIPER

390 ADVENTURE SPOKE W, orange 2024 EU 2024



POS	PARTNUMBER		PIECE
1	94813015000	CALIPER ASSEMBLY FRONT	1
2	90113021000	BLEEDER SCREW	1
3	90113018000	SPRING CLIP	1
4	90113017000	BOLT F. BRAKE PADS	1
5	90813030000	BRAKE PAD FRONT TT2910HH	1
6	90113026000	COPPER GASKET	2
7	90113121000	BLEEDER SCREW	1
9	J01008060S	HH collar screw M8x1x60	2
10	90613098150	brake caliper spacer sleeve	2

202811360

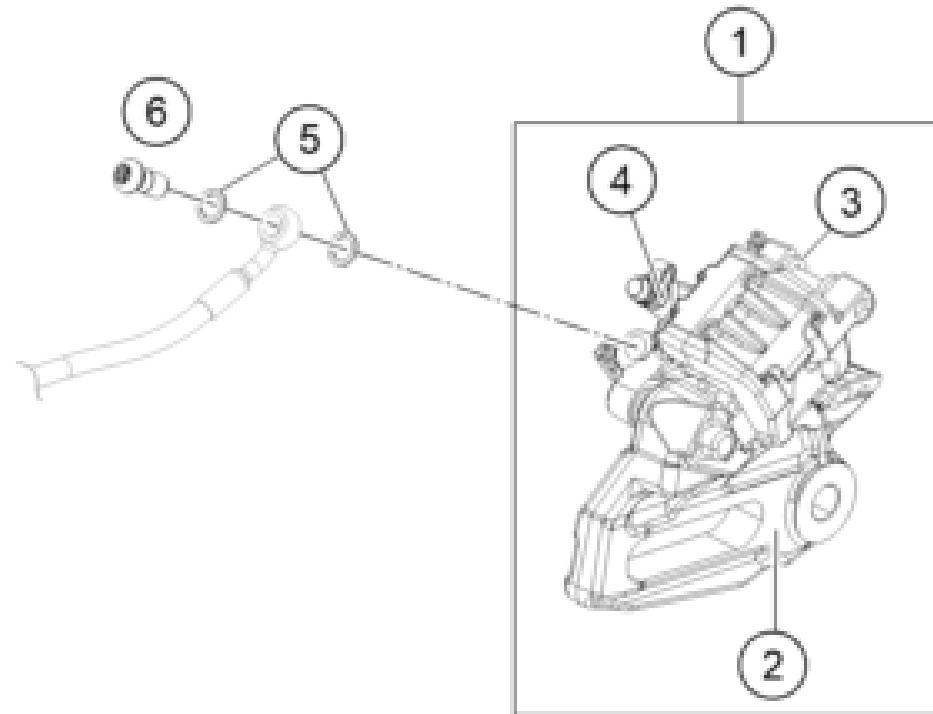
57965

\* NEW PART

X ON DEMAND

# REAR BRAKE CALIPER

# 390 ADVENTURE SPOKE W, orange 2024 EU 2024



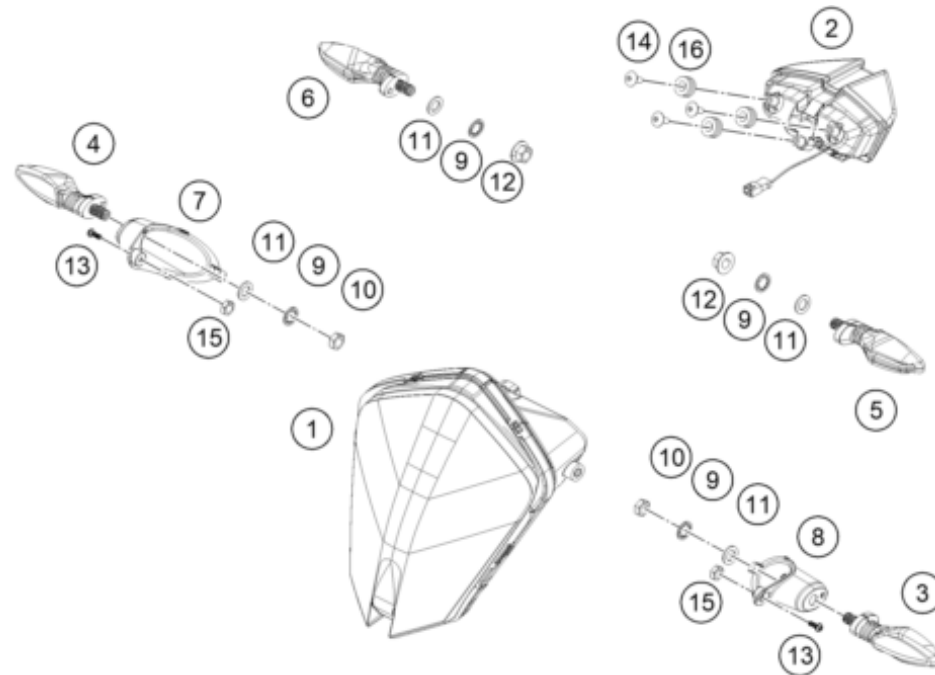
POS	PARTNUMBER		PIECE
1	94513080000	CALIPER ASSEMBLY REAR	1
2	90113075000	BRAKE CALIPER SUPPORT REAR	1
3	90113090000	REAR BRAKE PADS - SET	1
4	90113121000	BLEEDER SCREW	1
5	90113026000	COPPER GASKET	8
6	90113013000	BANJO SCREW	1

202811390

57969

\* NEW PART

X ON DEMAND



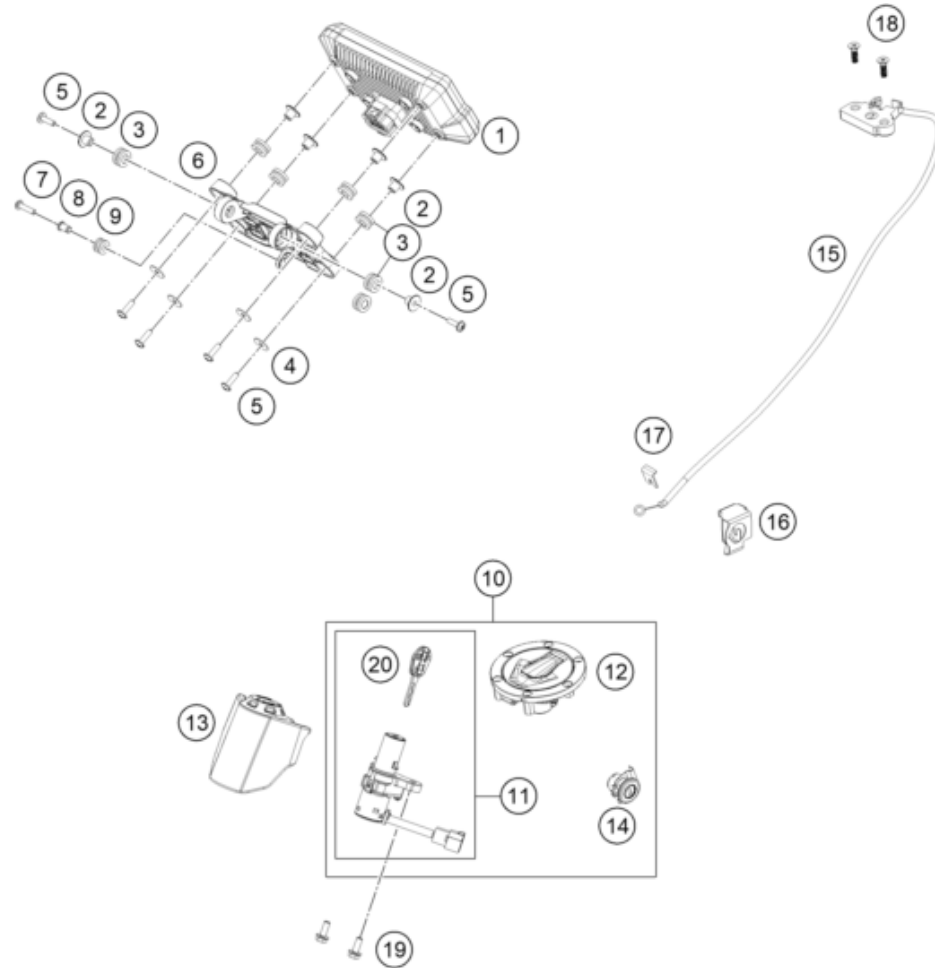
POS	PARTNUMBER		PIECE
1	95814001000	LAMP HEAD	1
2	63514040000	Tail light	1
3	91214025000	FLASHER L/S	1
4	91214026000	FLASHER R/S	1
5	95814026000	INDICATOR REAR LH	1
6	95814025000	INDICATOR REAR RH	1
7	95814011090	Turn signal bracket, right, EU	1
8	95814010090	Turn signal bracket, left	1
9	J06797100183	Toothed washer, M10	4
10	J934100006	Nut hex thin-M10x1.25	2
11	J125100009	Washer M10	4
12	J926100003	nut-hex-flanged	2
13	J005050121	Oval head screw M5X12	2
14	J900000401200	screw tapping-dia. 4.5xl 12xbrt	3
15	J934050003	nut hex thin-m5x0.8xht.3.2xbright	2
16	93014017000	Rubber bushing	4

209581410

18459

\* NEW PART

X ON DEMAND



POS	PARTNUMBER		PIECE
1	95814069000	SPEEDOMETER	1
2	93014062010	Collar TFT speedo small	6
3	90507040001	RUBBER SLEEVE	6
4	93308015010	Washer, license plate holder support	4
5	J031060183	Roundhead screw M5X18	6
6	95814062000	Instrument support	1
7	J031050206	screw button head-m5x0.8x120xblk	1
8	95814062020	Collar bushing, comb. instr. brckt	1
9	95814062010	Rubber grommet, comb. instr. brckt	1
10	95811066044	Lock kit cmpl.	1
11	21011066000	ADV. 390 IGNITION SWITCH	1
12	95807108000	cap tank fuel	1
13	95811066010	Carbon ignition lock cover	1
14	90107050050	SEAT LOCK	1
15	95807050000	Seat lock	1
16	93007051000	Retaining bracket	1
17	90107050151	PLATE SEAT LOCK	1
18	J900000602001	screw csk cros-m6x1x120xcl4.8xbr	2
19	90130059000	HH COLLAR SCREW M6X16	2
20	90111067100	BLANK KEY 125/200 DUKE	1
20	90111067000	KEY	1

209581430

18479

\* NEW PART

X ON DEMAND

# EVAPORATIVE CANISTER

# 390 ADVENTURE SPOKE W, orange 2024 EU 2024



POS	PARTNUMBER		PIECE
1	95815001000	Activated charcoal filter	1
2	95815002000	holder plate	1
3	95815022105	Pre-formed hose 7x13 L=105mm	1
4	90207016004	CONNECTOR TUBE EVAP	1
5	95815000660	Hose, ACF purge valve	1
6	95815000218	Act. charcoal filter hose 4x10 L=218mm	1
7	95815000312	Act. charcoal filter hose 4x10 L=312mm	1
8	90607830000	Valve purge	1
9	93008020060	Screw M6X1X9	2
10	95815000790	Act. charcoal filter hose 5,5x11,5 L=790	1
11	90507015000	CONNECTOR Y SHAPE	1
12	95815000240	PIPE DRAIN	1
13	90515011000	PLUG FUEL DRAIN	1
14	90507017000	HOSE CLAMP	3
15	90607017003	SPRING BAND CLAMP D13	3
16	J300000801000	Spring clip 9.5	2
18	J926060006	nut hex flanged	1
19	90107018011	CLAMP 10MM	3
20	95813046000	Hose guide	1
21	95815046000	Hose guide	1

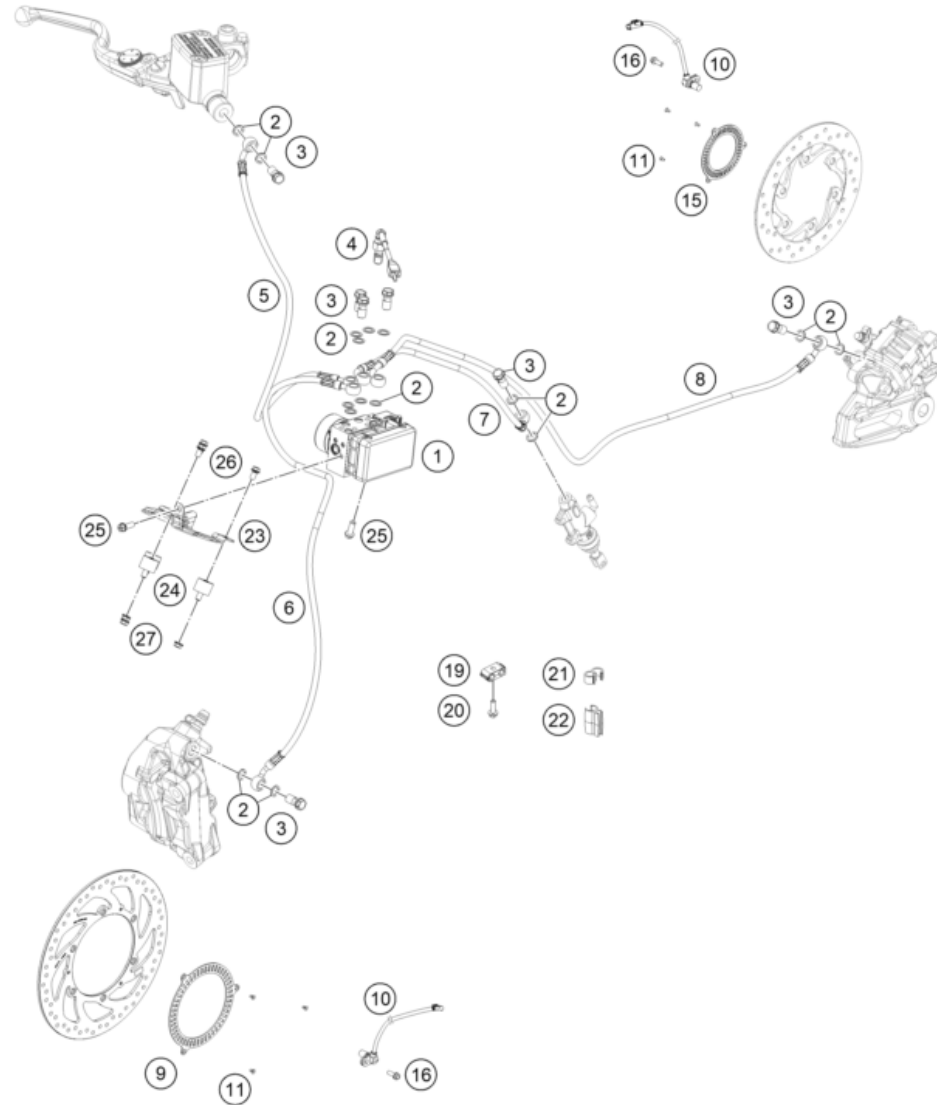
209581510

18557

\* NEW PART

X ON DEMAND





POS	PARTNUMBER		PIECE
1	95842031044	ABS modulator	1
2	90113026000	COPPER GASKET	16
3	90113013000	BANJO SCREW	7
4	28111051000	switch brake	1
5	95842003000	Brake line, ABS, front master cylinder	1
6	95842004000	Brake line, front brake caliper	1
7	95842002000	Brake line, ABS, rear master cylinder	1
8	95842001000	Brake line, rear brake caliper	1
9	28142020000	Sensor wheel ABS front	1
10	90142125000	ABS SENSOR	1
11	J07046040086	Countersunk screw, M4X08	6
15	28142021000	Sensor wheel ABS rear	1
16	J000150601200	bolt-flange-kae st-f dia-06 l-12	2
19	93813024000	brake hose clamp	1
20	J025060209	HH COLLAR SCREW M6X20	1
21	93813035000	CLAMP SENSOR CABLE	2
22	93813147000	CLAMP FOR BRAKE HOSE	2
23	93041030020	Retaining bracket	1
24	90135001001	silentbloc M6	3
25	J025060109	HH-COLLAR SCREW M6X10 SW8	2
26	J025060082	bolt-flanged-small	3
27	J926060000	FLANGED NUT M6 WS10 SELF LOCK.	3

239584210

63683

\* NEW PART

X ON DEMAND

A large, empty rectangular box with a thin black border, occupying the majority of the page. It is intended for handwritten notes.



# KTM.COM



F5303X9EN

KTM Sportmotorcycle GmbH  
5230 Mattighofen, Austria  
[www.ktm.com](http://www.ktm.com)

**KTM** POWERPARTS

**KTM** POWERWEAR

**KTM** ORIGINAL SPARE PARTS

