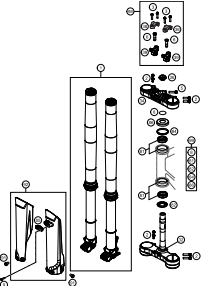
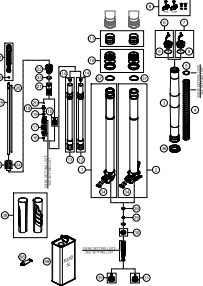
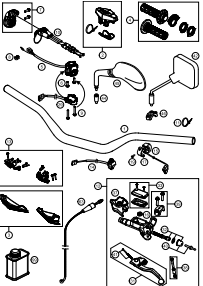
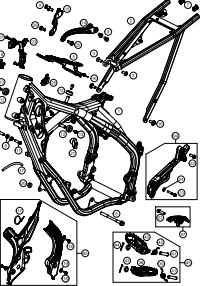
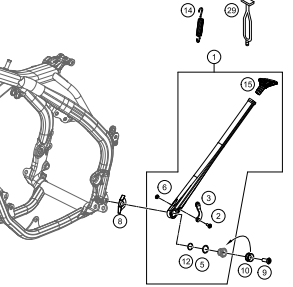
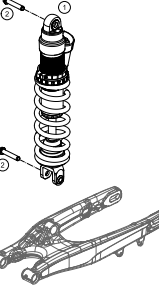
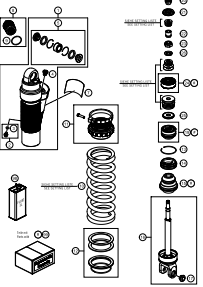
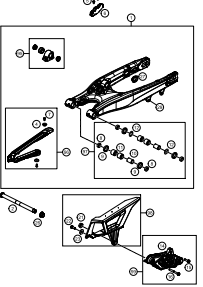
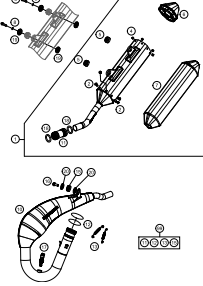
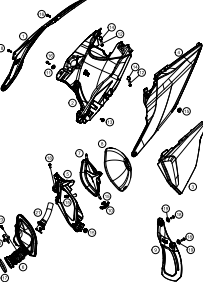
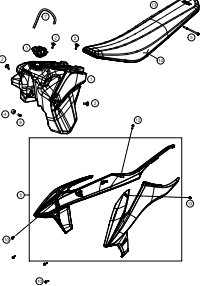
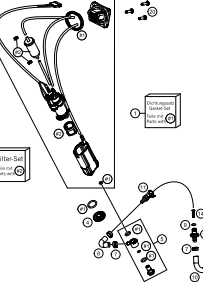
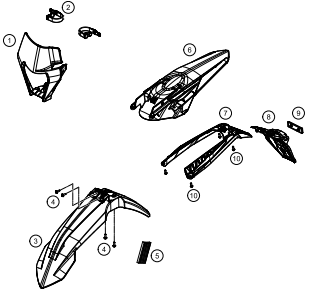
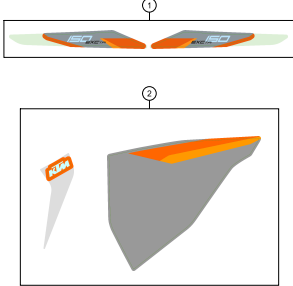
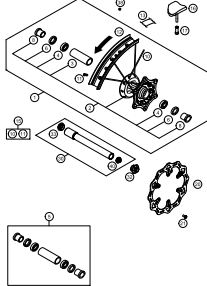
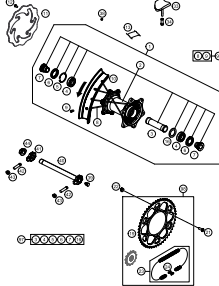
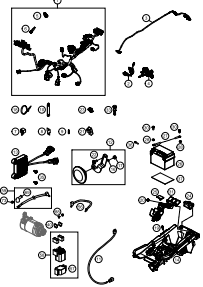
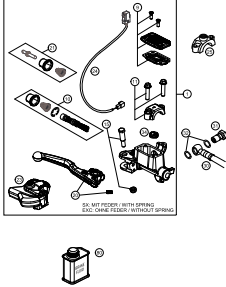
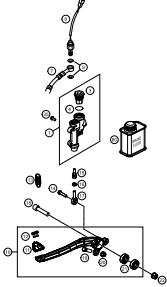
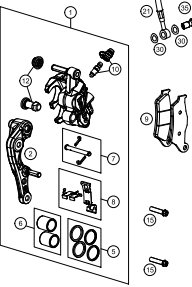
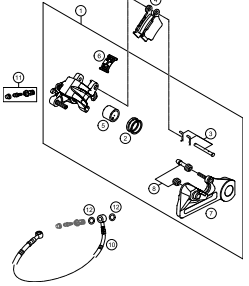
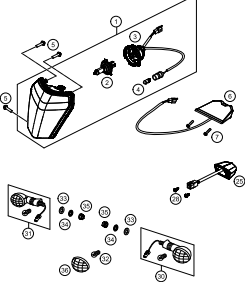
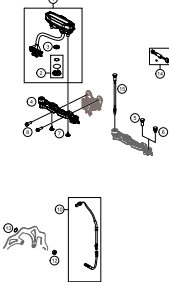
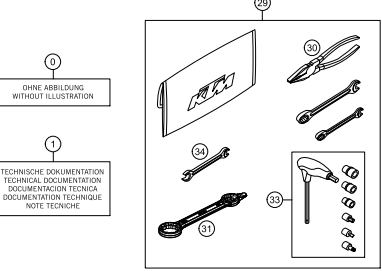


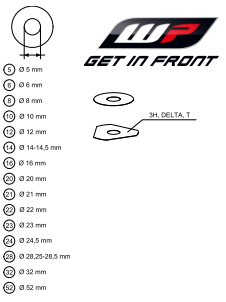

150 EXC TPI 2021 EU 2021

ART.-NR.: F7103U6EN



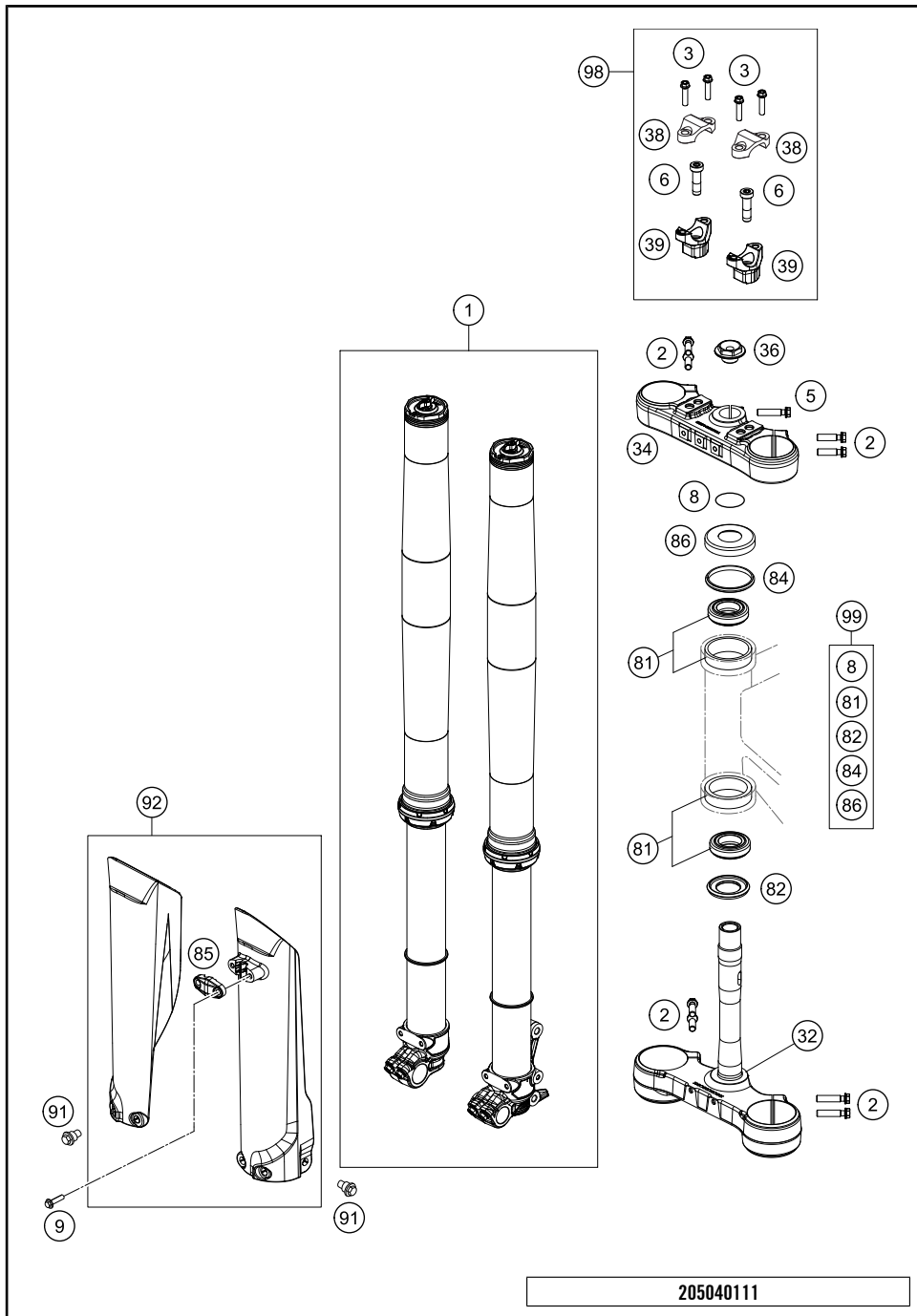
<p>FRONT FORK, TRIPLE CLAMP</p>  <p>4</p>	<p>FRONT FORK DISASSEMBLED</p>  <p>5</p>	<p>HANDLEBAR, CONTROLS</p>  <p>7</p>	<p>FRAME</p>  <p>8</p>
<p>SIDE / CENTER STAND</p>  <p>10</p>	<p>SHOCK ABSORBER</p>  <p>11</p>	<p>SHOCK ABSORBER DISASSEMBLED</p>  <p>12</p>	<p>SWING ARM</p>  <p>13</p>
<p>EXHAUST SYSTEM</p>  <p>14</p>	<p>AIR FILTER</p>  <p>15</p>	<p>TANK, SEAT</p>  <p>16</p>	<p>FUEL PUMP</p>  <p>17</p>

<p>MASK, FENDERS</p>  <p>18</p>	<p>DECAL</p>  <p>19</p>	<p>FRONT WHEEL</p>  <p>20</p>	<p>REAR WHEEL</p>  <p>21</p>
<p>WIRING HARNESS</p>  <p>22</p>	<p>FRONT BRAKE CONTROL</p>  <p>24</p>	<p>REAR BRAKE CONTROL</p>  <p>25</p>	<p>FRONT BRAKE CALIPER</p>  <p>26</p>
<p>REAR BRAKE CALIPER</p>  <p>27</p>	<p>LIGHTING SYSTEM</p>  <p>28</p>	<p>INSTRUMENTS / LOCK SYSTEM</p>  <p>29</p>	<p>SEPERATE ENCLOSURE</p>  <p>30</p>

<p>WP SHIMS FOR SETTING</p>  <p style="text-align: center; font-size: 2em;">32</p>			
	<div style="display: flex; align-items: center;">  <p> All information contained is without obligation. KTM Sportmotorcycle GmbH particularly reserves the right to modify any equipment, technical specifications, prices, colors, shapes, materials, services, service work, constructions, equipment and the like so as to adapt them to local conditions or to cancel any of the above items, all without previous announcement and without giving reasons. KTM may stop manufacturing certain models without previous notice. KTM shall not be held liable for any deviations of availability and/or ability to deliver, illustrations, descriptions, printing and/or other errors. The illustrated models partly contain extra equipment, which is not applied to standard models. © by KTM Sportmotorcycle GmbH, Mattighofen AUSTRIA; All rights reserved; Reprint, also in extracts, with written allowance of KTM Sportmotorcycle GmbH, Mattighofen only. </p> </div>		

FRONT FORK, TRIPLE CLAMP

150 EXC TPI 2021 EU 2021

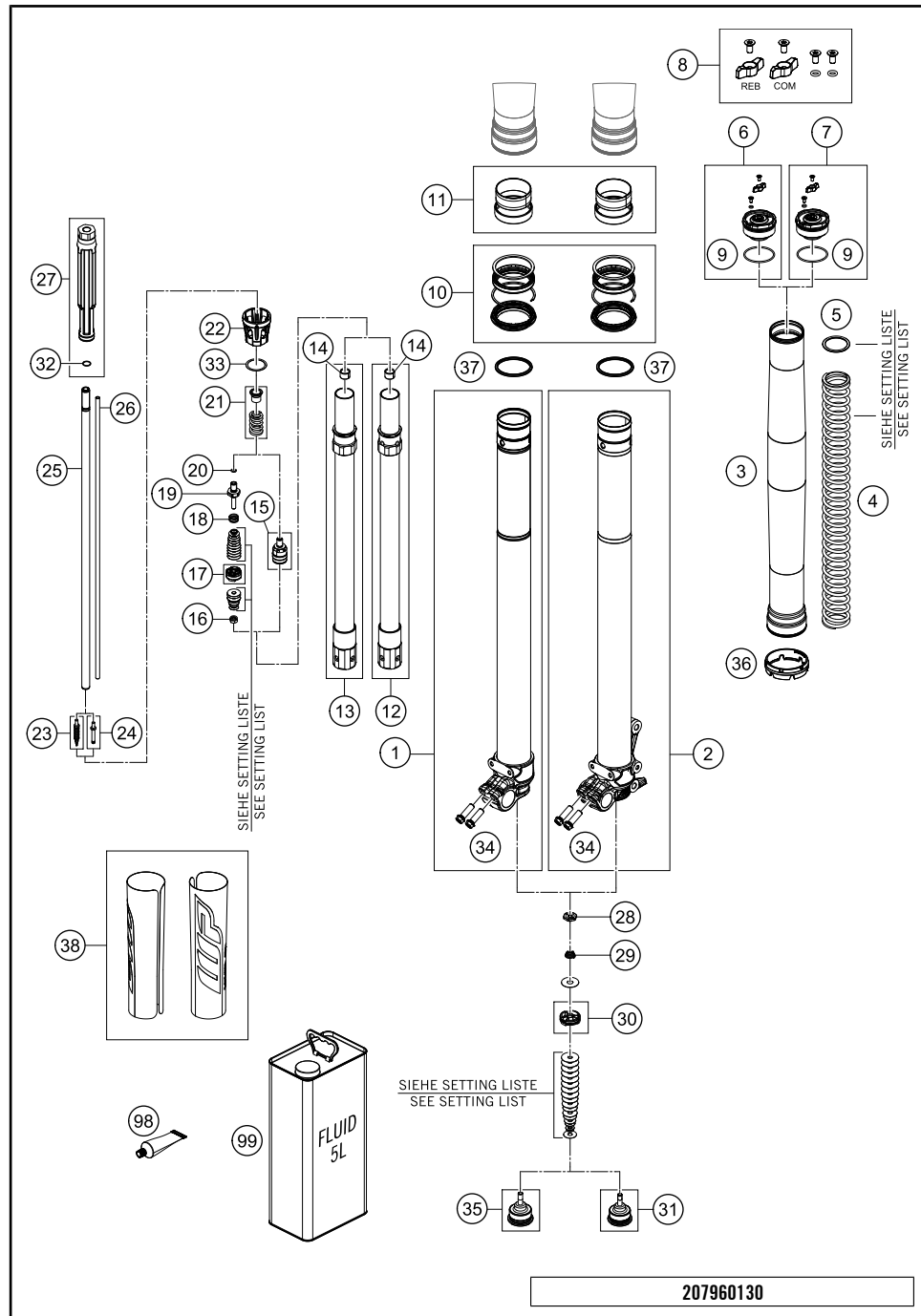


POS	PARTNUMBER	PARTNAME	PIECE
1	14188T6201	Fork 150 EXC TPI / XC-W TPI 20	1
2	0025080306	HH collar screw M8x30	8
3	0025080256	HH collar screw M8x25	4
5	0025080356	HH collar screw M8x35 TX40	1
6	0032100356S	AH-COLLAR SCREW M10X35 ISA45	2
8	0770025035	O-RING 25X3,55 NBR70 05	1
9	0017060206	SCREW F. PLASTIC K60X20AL SW6	2
32	78101132122	BOTTOM TRIPLE CLAMP CPL.	1
34	78101034022	TOP TRIPLE CLAMP X=22MM	1
36	72001036000	COLLAR SCREW M20X1,5 WS17 AL	1
38	77201038000	HANDLEBAR CLAMP 28MM	2
39	59401039032	HANDLEB.SUPP. D=28MM H=32MM 05	x
39	59401039037	HANDLEB.SUPP. D=28MM H=37MM 05	2
39	59401039042	HANDLEB.SUPP. D=28MM H=42MM 05	x
81	54201081100	TAPERED ROLLER BEARING CPL. 06	2
82	77701084000	O-RING SUPPORT W. SEALING LIP	1
84	54601184000	STEERING HEAD GASKET TOP	1
85	77701085100C1	Clamp for brake hose	1
86	78101086000	STEERING HEAD COVER	1
91	59001092050	SPECIAL SCREW M6X12,5 WS=8	6
92	77701094100C1E	Fork protection kit EXC 21	1
98	00050000921	HANDLEBAR SUPPORT KIT D28/H37	x
99	00050000930	STEERING HEAD REP. KIT 06-15	x

205040111

54492

* NEW PART X ON DEMAND



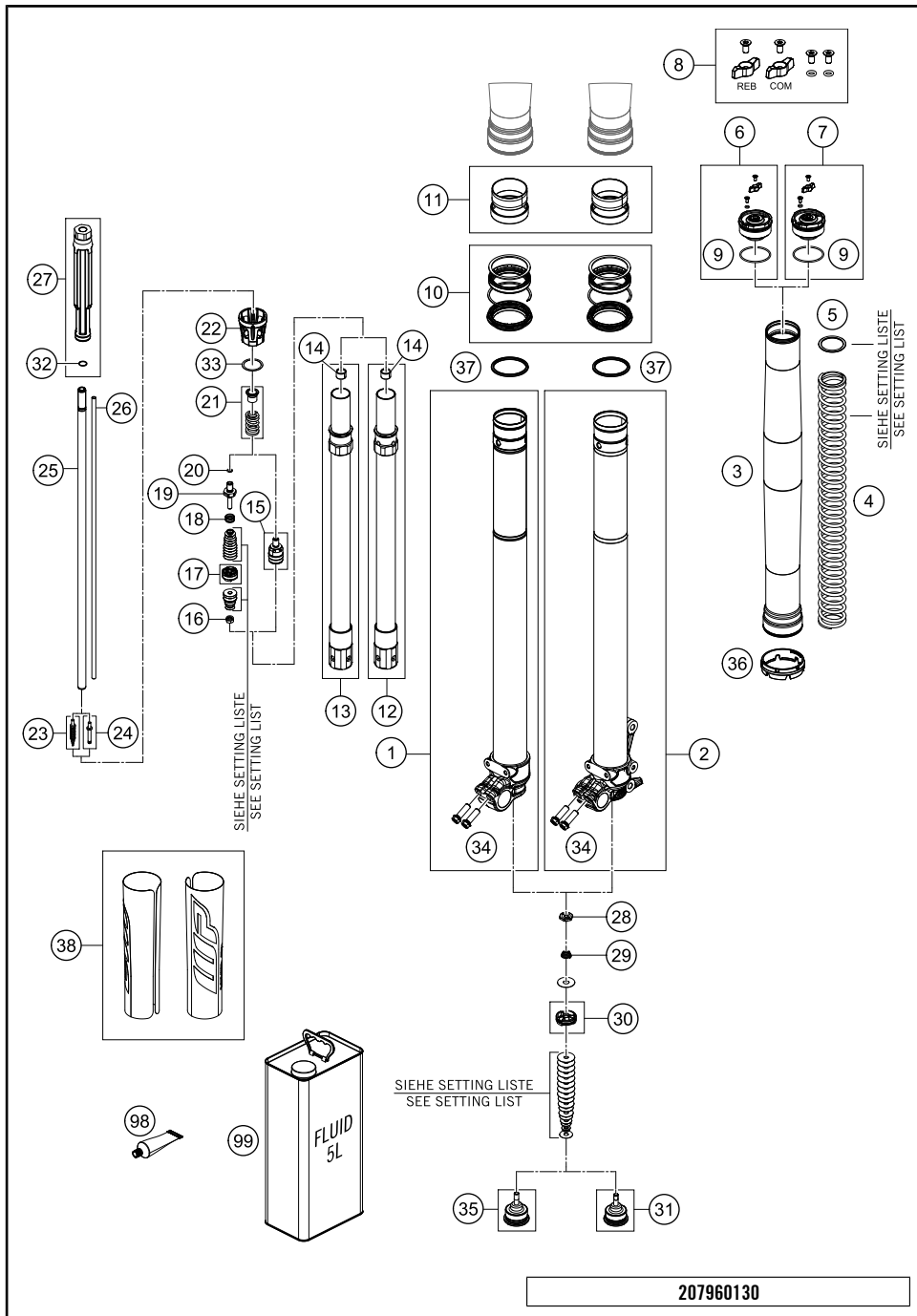
POS	PARTNUMBER	PARTNAME	PIECE
1	48601933S1	Axleclamp OC right cpl. with tube	1
2	48601932S1	Axleclamp OC left cpl. with tube	1
3	48601671	Fork outer tube 49,13x577 dt54 db60 natu	2
4	91410098S	Spring (43,8) 3,6-470	x
4	91410099S	SPRING 3,8N/MM SET D=4,9MM	x
4	91410100S	SPRING 4,0N/MM SET D=4,9MM	x
4	91410101S	SPRING 4,2N/MM SET D=4,9MM	x
4	91410102S	SPRING 4,4N/MM SET D=4,9MM	x
4	91410103S	FORK SPRING L= 470 4,6 N/MM SET	x
4	91410104S	SPRING 4,8N/MM SET D=4,9MM	x
4	91410105S	SPRING 5,0N/MM SET D=4,9MM	x
4	91410106S	SPRING 5,2N/MM SET	x
5	48600458	Washer 35x43x1,5 plastic	x
5	48600456	Washer 35x43x2,5 plastic	x
5	48600457	Preload bush 35x43x3,5	x
6	48601960S	Screw cap M51x1,5 rebound cpl.	1
7	48601961S	Screw cap M51x1,5 compression cpl.	1
8	RP10021	Adjuster kit screw cap	1
9	48600048	O-ring 46x2 NBR70 siliconized yellow	2
10	RP10012	Sealkit 48mm SKF black	1
11	R14047	Guide bushing set fork 48mm	1
12	48600763S5	Tube, including screw sleeve with hole	1
13	48600763S6	Tube with screwsleeve	1
14	48600430	Guide bushing 12x14x10	2
15	48601843S3	Tap compression cpl.	1
16	40540486	Nut M6x0,5 h6,5 WAF10 rebound	1
17	48602002S	Midvalve piston assembly d23	1
18	48600382	Spring (11,4) 0,4-8 valve	1
19	48600576	Tap 6x46 rebound	1
20	48600299	O-ring 6x1,2 NBR70	1
21	48600578S	Spring (13,9) 37-32 rebound cpl.	2
22	48601298	Spring retainer 27,08x43x45	2
23	48600277S	Needle 4,5x43,6 cpl.	1
24	48601558S	Needle 4,5x38,2 cpl.	1
25	48600568	Piston rod 12x554	2
26	48602036	Adjustment tube 6x524,6	2
27	48601556S	Stop 12,4x31,9x200,3 cpl.	2
28	48600163	Nut valve M6x0,5 h6,5 WAF17	2

207960130

52053

* NEW PART

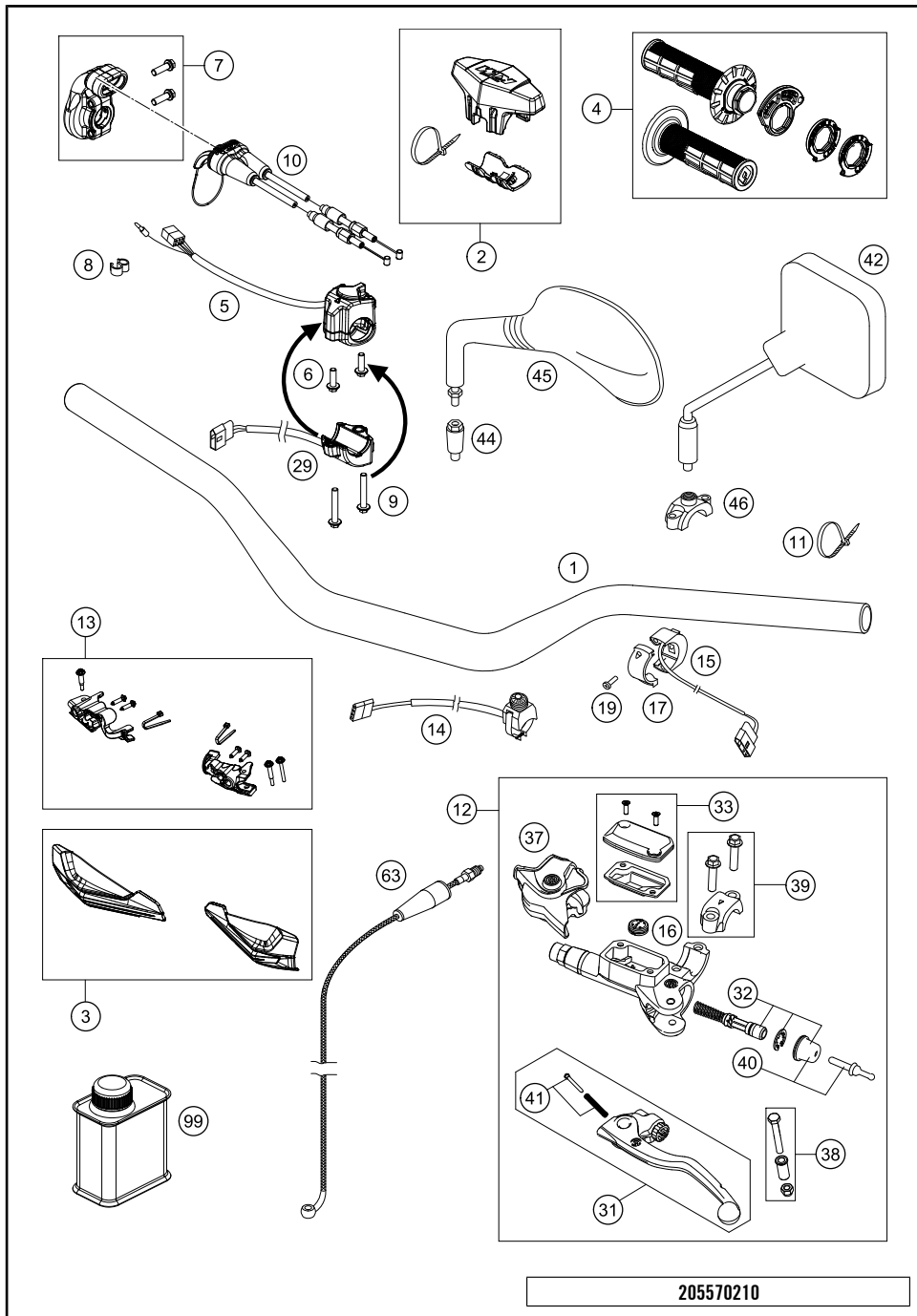
X ON DEMAND



POS	PARTNUMBER	PARTNAME	PIECE
29	48600202	Spring (8,5) 16,5 valve	2
30	48601934S	Piston 6x27,3x9 compression cpl.	2
31	48601553S	Screw cap M29,3x1 OC split cpl.	1
32	04500003	O-ring 11x2,5 NBR70 PTFE yellow	2
33	48601702	Shim 27,5x33x0,3	2
34	0025080256	HH collar screw M8x25	4
35	48601980S	Screw cap M29,3x1	1
36	48601948	Fork protection ring 60,1mm	2
37	48602007	Stroke indicator 48mm red	2
38	52000238SET	Sticker set Xplor OC 238x182.5	1
98	T14034	Fuchs grease IPR (250g)	1
99	48601166S1	FORK OIL SAE4 5L	1

52053

* NEW PART X ON DEMAND



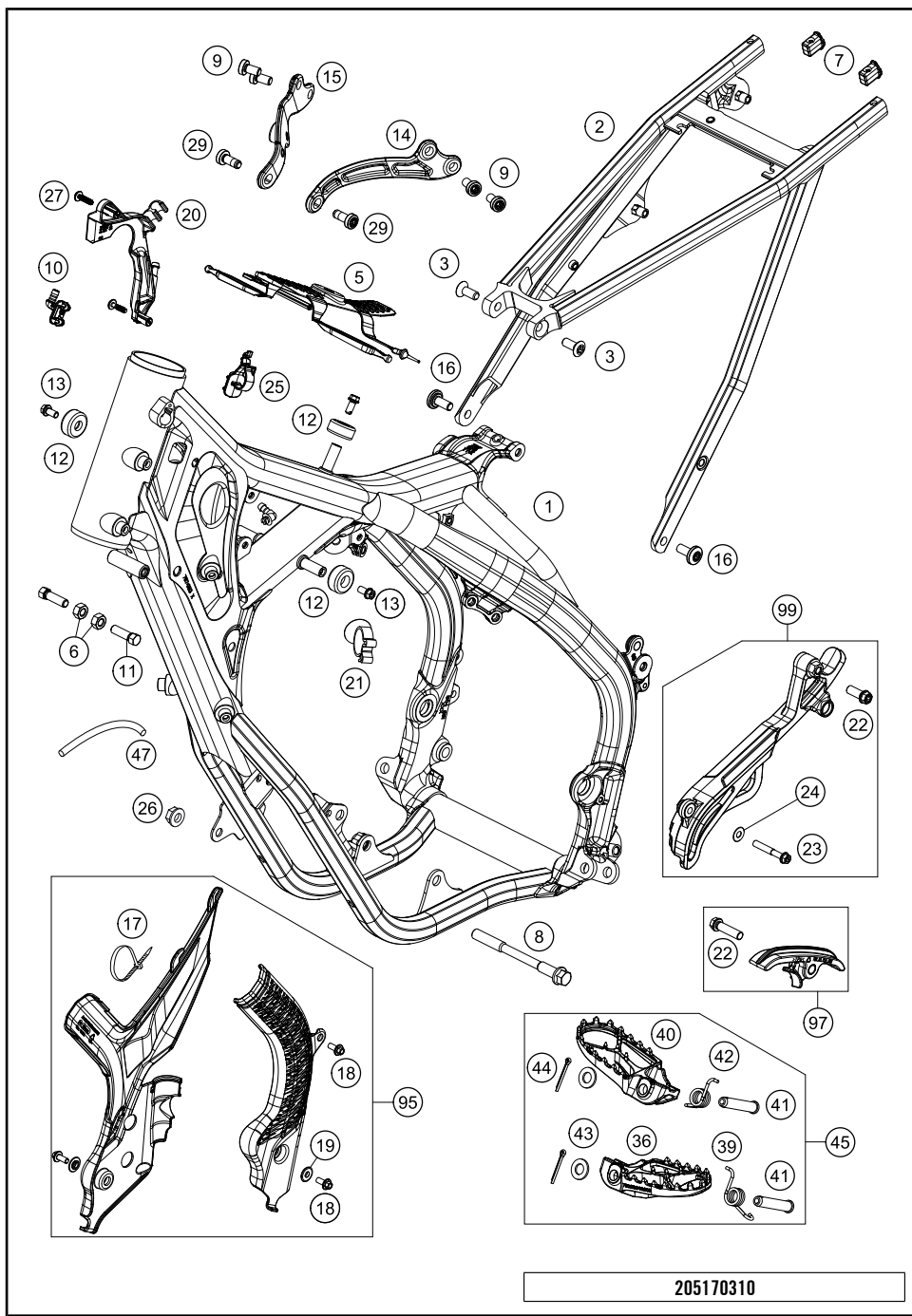
POS	PARTNUMBER	PARTNAME	PIECE
1	7800200100030	HANDLEBAR	1
2	77202002144	BAR PAD CPL.	1
3	79602182044EB	Handguard	1
4	79002021100	GRIP SET	1
5	78111070000	LIGHT SWITCH	1
6	0014050163	HH COLLAR SCREW M 5X16 WS=6	2
7	79002010125	Throttle control casing cpl.	1
8	83013026000	CABLE GUIDE	2
9	0014050303	HH COLLAR SCREW M5X30 SW=6	2
10	55702091000	throttle cable cpl. 2T DI	1
11	44011076200	CABLE TIE 200/3,6MM BLACK	1
12	79202030044	MASTER CYLINDER CPL.	1
13	79602084044	Handguard assembly kit	1
14	78111074000	STARTER BUTTON GREY 13	1
15	50311074000	ENGINE STOP SWITCH CEV	1
16	54802051000	VALVE	1
17	50311074050	CLAMP ENGINE STOP SWITCH	1
19	0912040203	AH SCREW DIN 912-M 4X20	2
29	78111029000	FLASHER SWITCH	1
31	54802031000	CLUTCH LEVER CPL. BREMBO 06	1
32	79202032044	REP. KIT PISTON 9MM	1
33	5480200310030	COVER HYD. CLUTCH CPL. 2014	1
37	54802037000	PROTECTION CAP 06	1
38	54802038100	LEVER SCREW CPL. 06	1
39	54802005100	CLAMP CPL. 06	1
40	54802046000	PUSH ROD CPL.	1
41	54802052000	BOLT KPL.	1
42	58012040000	REAR MIRROR L/S	1
42	58012140000	REAR MIRROR R/S	1
44	58412040050	SUPPORT FOR MIRROR LC4 '98	2
45	58412040000	MIRROR L/S 98	x
45	58412041000	MIRROR R/S 98	x
46	58012040150	CLAMP FOR MIRROR '94	2
63	79232063000	CLUTCH PIPE	1
99	00062030000	BRAKE FLUID DOT5.1 0,25L	1

205570210

54517

* NEW PART

X ON DEMAND



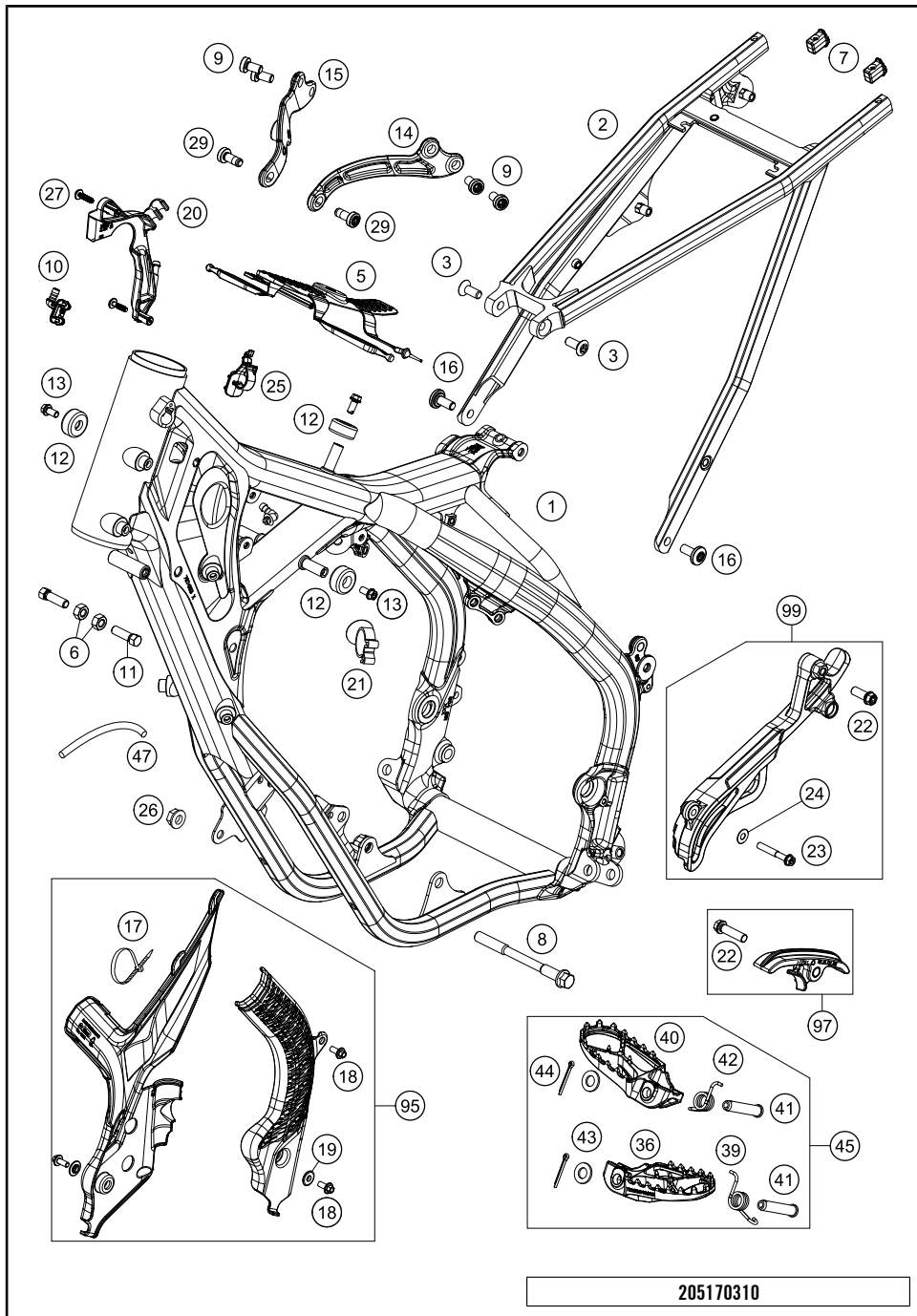
POS	PARTNUMBER	PARTNAME	PIECE
1	5170310110033	Frame 517T1	1
2	79103002100	Subframe	1
3	0019080206S	FLAT HEAD SCREW M. ISA45 M8X20	2
5	79607012000	TANK REST RUBBER	1
6	0934080003	HEXAGON NUT DIN0934-M 8	2
7	79103002010	Rear frame bit	2
8	77203014000	engine brac.scr. M10x115	2
9	0035080156S	AH-COLLAR SCREW M8X15 TORX45	4
10	79107013010	wire holder / fuel ventilation	1
11	59001037000	SPECIAL SCREW M8X26 WS=10	2
12	50307014000	TANK ROLLER 12X26X12 '98	3
13	0026060136	COLLAR SCREW M6X13 ISA30	3
14	5170311300001S	Engine brace left	1
15	5170311400001S	Engine brace right	1
16	79003003000	SPECIAL SCREW M8X18 TORX45 SS	2
17	44011076305	CABLE TIE 300/4,8MM BLACK	x
17	44011176140	KABELBAND 140/3,5 MM SCHWARZ	x
18	0014050123	HH COLLAR SCREW M 5X12 WS=6	3
19	54803092060	BUSH F. FRAME PROTECTION 03	2
20	79711013000	Cable holder throttle cable guide	1
21	79711013010	Cable bracket d8	1
22	0025080306	HH collar screw M8x30	2
23	0025060406	HH collar screw M6x40 TX30	1
24	0125060003	WASHER DIN0125-A 6,4	1
25	79111014010	Cable holder	1
26	54310086100	SELF LOCKING NUT M10 CU WS=14	2
27	0081050181	SCREW FOR PLASTIC K50X18 T20	2
29	0035080206S	SHCS M8x20 TX45	2
36	79603040000	FOOTREST L/S EXC 2017	1
39	79003045000	FOOTREST SPRING L/S 2016	1
40	79603041000	FOOTREST R/S EXC 2017	1
41	54803044000	PIN FOR FOOT PED 51.5X9.8 MM	2
42	79003044000	FOOTREST SPRING R/S 2016	1
43	0125100003	washer DIN 125 A 10.5	2
44	0094032253	PIN DIN0094-3,2X25 STEEL	2
45	79603040033	FOOTREST-SET	1
47	55007016001	PVC-HOSE 7X10 PER METER	x
95	7910309400030	Frame protection set	1

205170310

54533

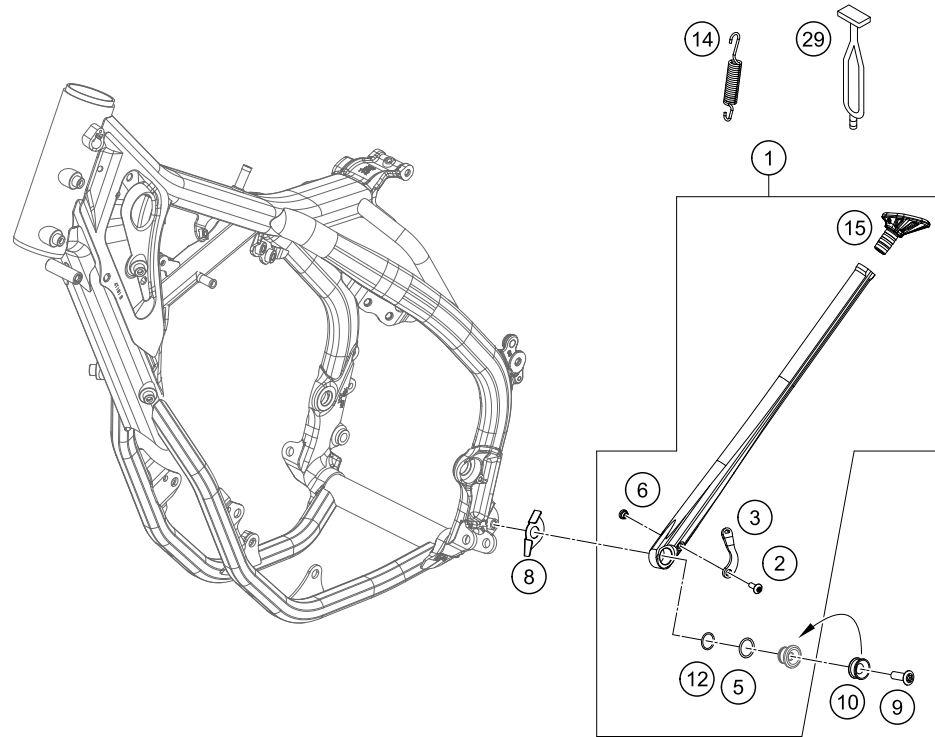
* NEW PART

X ON DEMAND



POS	PARTNUMBER	PARTNAME	PIECE
97	79003053010	CHAIN SLIDING KIT BELOW CPL.16	1
99	50403096010	SPROCKET COVER KIT	1

54533 * NEW PART X ON DEMAND



POS	PARTNUMBER	PARTNAME	PIECE
1	79003023044	SIDE STAND CPL. EXC 16	1
2	58605083014	SCREW M5X14 TORX 25 07	1
3	79003023090	SPRING BRACKET EXC 16	1
5	0770180020	o-ring 18.00x2.00 NBR70	1
6	78003023070	SPACER BUSH. SPRING BRACKET	1
8	79003023050	SIDE STAND STOP PLATE	1
9	0019080266S	COUNTER-SUNK SCREW ISA45 M8X26	1
10	78003023081	SIDE STAND BUSHING EXC-EU 08	1
12	0770125015	O-RING 12,5X1,5 NBR	1
14	79003024000	SIDESTAND SPRING EXC 16	1
15	78003023155	STAND BASE	1
29	50303018000	RUBBER L=145MM	1

187960360

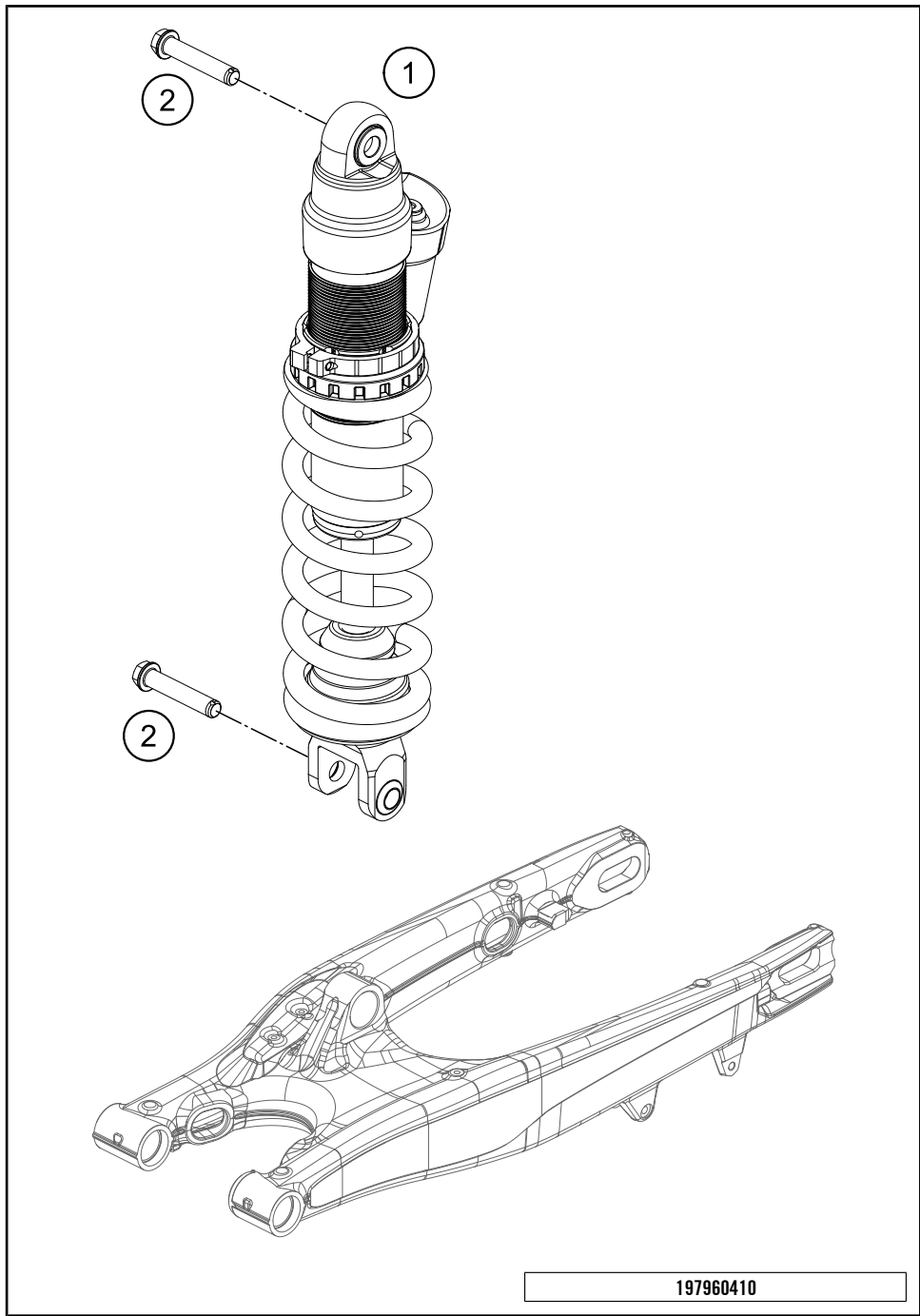
49783

* NEW PART

X ON DEMAND

SHOCK ABSORBER

150 EXC TPI 2021 EU 2021



POS	PARTNUMBER	PARTNAME	PIECE
1	12187T6301	Shock absorber 250/300 EXC-F/EXC TPI 20	1
2	0025120506S	HH COLLAR SCREW M12X50 TX45	2

* NEW PART X ON DEMAND

SIEHE SETTING LISTE
SEE SETTING LIST

SIEHE SETTING LISTE
SEE SETTING LIST

SIEHE SETTING LISTE
SEE SETTING LIST

SIEHE SETTING LISTE
SEE SETTING LIST

Teile mit
Parts with

Reparatur-Kit
Repair-Kit

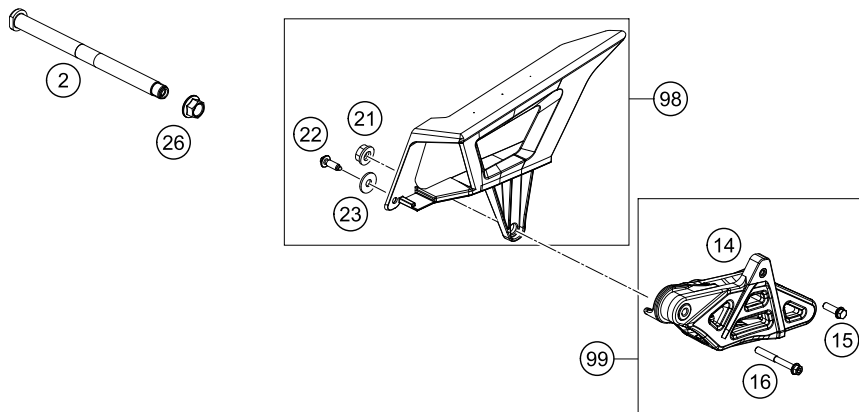
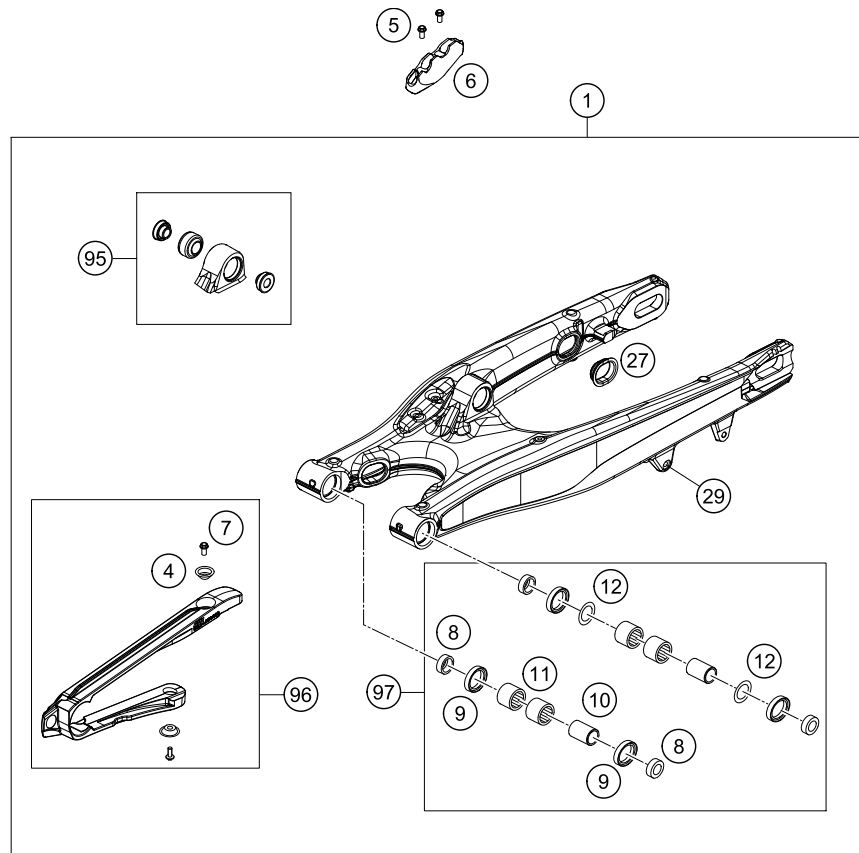
207960430

52054

POS	PARTNUMBER	PARTNAME	PIECE
1	46181242S4	shock housing M53x1 h56 cpl.	1
2	36120151S	PLUG SCREW M5X6 CPL.	1
3	46810893	O-ring 5,28x1,78 NBR70 black	1
4	50180095	HS cylinder-head screw R1/8 l8	1
5	RP10011	Ball joint bearing kit 12mm	1
7	52000233	Sticker XPLOR PDS 90x40	1
8	50181101S35	Compressionadjuster PDS cpl. 2020	1
9	50180217	O-ring 27x1,5 Viton70 green ISO 3601-3S	1
10	91010353	Mainspring (59/61) 54-57-60-225 damp. w.	x
10	91010348	Mainspring (59/61) 57-60-63-225 damp. w.	x
10	91010349	Mainspring (59/61) 60-63-66-225 damp. w.	x
10	91010350	Mainspring (59/61) 63-66-69-225 damp. w.	x
10	91010351	Mainspring (59/61) 66-69-72-225 damp. w.	x
10	91010352	Mainspring (59/61) 69-72-76-225 damp. w.	x
11	46181382S	Plastic Spring Retainer D46 cpl.	1
12	RP10005	SPRING CUP SET PDS 17	1
13	46810010	Round-wire snap ring 49x1,8	1
14	46181351	Cover 46,12x15 h5,5 red	1
15	46181237	Rubber pad 17x48x55	1
16	46181236S1	MONOSHOCK LOWER PART CPL.	1
17	50180105	Threaded bush M12 d20	1
19	46180669S	Sealholder 46x28 cpl.	1
20	46181365S	Nut PDS M10x1 h17,2 WAF19 cpl.	1
21	46181416	Piston 15,4x35,4x6	1
22	46181025	Bush 10x17x17	1
23	46810474	Piston rod nut M12x1	1
24	46181328S	Piston 12x46x20 cpl.	1
25	46181194	Rebound disc 12x36x4 h0	1
26	46811258	Washer 12x24x2,5	1
98	50180751S1	SHOCK ABSORBER FLUID 5 LT	x
99	RP10020	Repairing kit shock absorber PDS 19	1

* NEW PART

X ON DEMAND



175040490

POS	PARTNUMBER	PARTNAME	PIECE
1	79604030044	SWING ARM CPL. PDS 2017	1
2	79004037000	SWING ARM M16X1,5 2016	1
4	77304066050	chain slider bushing	2
5	0009050106	EJOT SPIRAL SCREW SF M5X10-K	2
6	77313047000	BRAKE HOSE GUIDE LOWER 07	1
7	59009062013	SPECIAL SCREW M6X13 WS=8 10.9	2
8	77704034000	SUPPORT F. SHAFT SEAL RING 16	4
9	0760253270	radial shaft seal 25x32x7	4
10	59404032000	BEARING SLEEVE 17X22X38,7 03	2
11	0618222812	NEEDLEBEAR HK2212V 22/28/12 MB	4
12	54603036000	STOP DISK 22,2X31,7X1	2
14	78104070100	CHAIN GUIDE EXC	1
15	59009062019	SPECIAL SCREW M6X19 WS=8 10.9	1
16	0025060506	HH collar screw M6x50 TX30	1
21	56509064100	SELF LOCKING NUT M6 10.9	1
22	0017060205	SCREW FOR PLASTIC K60X20 SW6	1
23	0021060003	WASHER DIN9021-A 6,4	1
26	54804038000	SELF LOCK.NUT M16X1,5 WS=19 03	1
27	77204041000	CLOSING COVER	4
29	54603055051	PRESS IN NUT M6 STEEL ZINC	1
95	79604090044	PIVOT BEARING+BUSH. PDS '17	1
96	51504066044	CHAIN SLIDING GUARD KIT 11-15	1
97	78904230010	SWINGARM REPAIR KIT SX-F/XC-F	x
98	78104060010	CHAIN PROTECTION KIT EXC 12-14	x
99	78104070010	CHAIN GUIDE KIT EXC 14-15	x

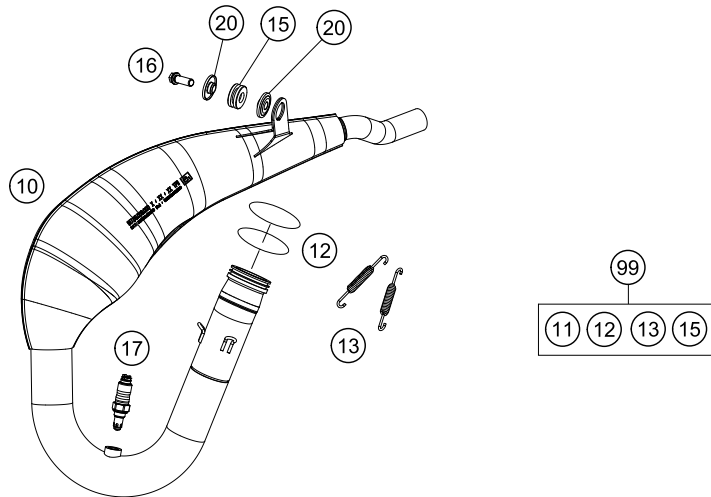
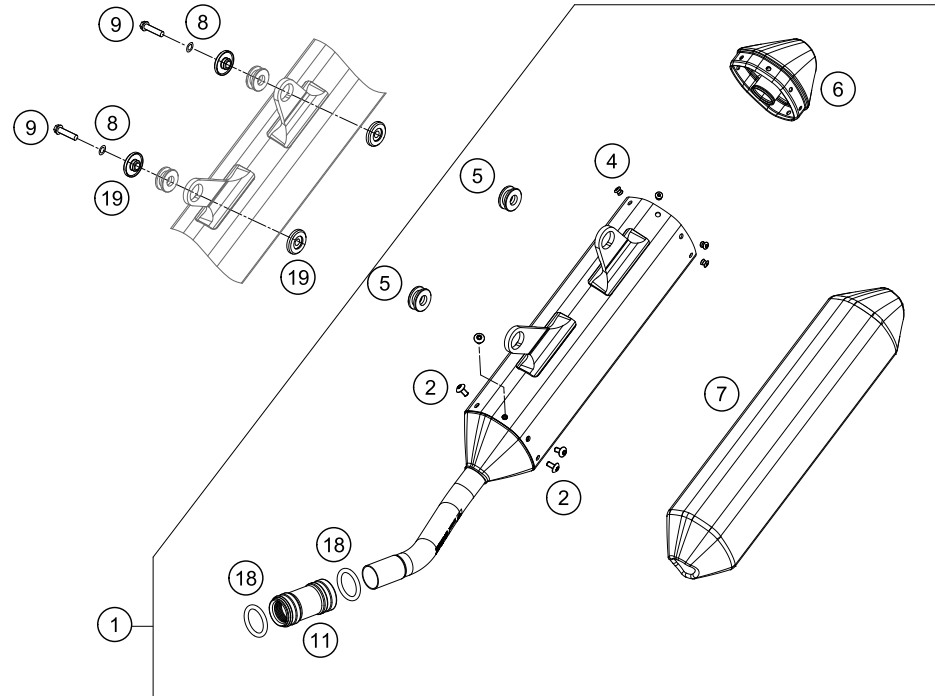
18012

* NEW PART

X ON DEMAND

EXHAUST SYSTEM

150 EXC TPI 2021 EU 2021



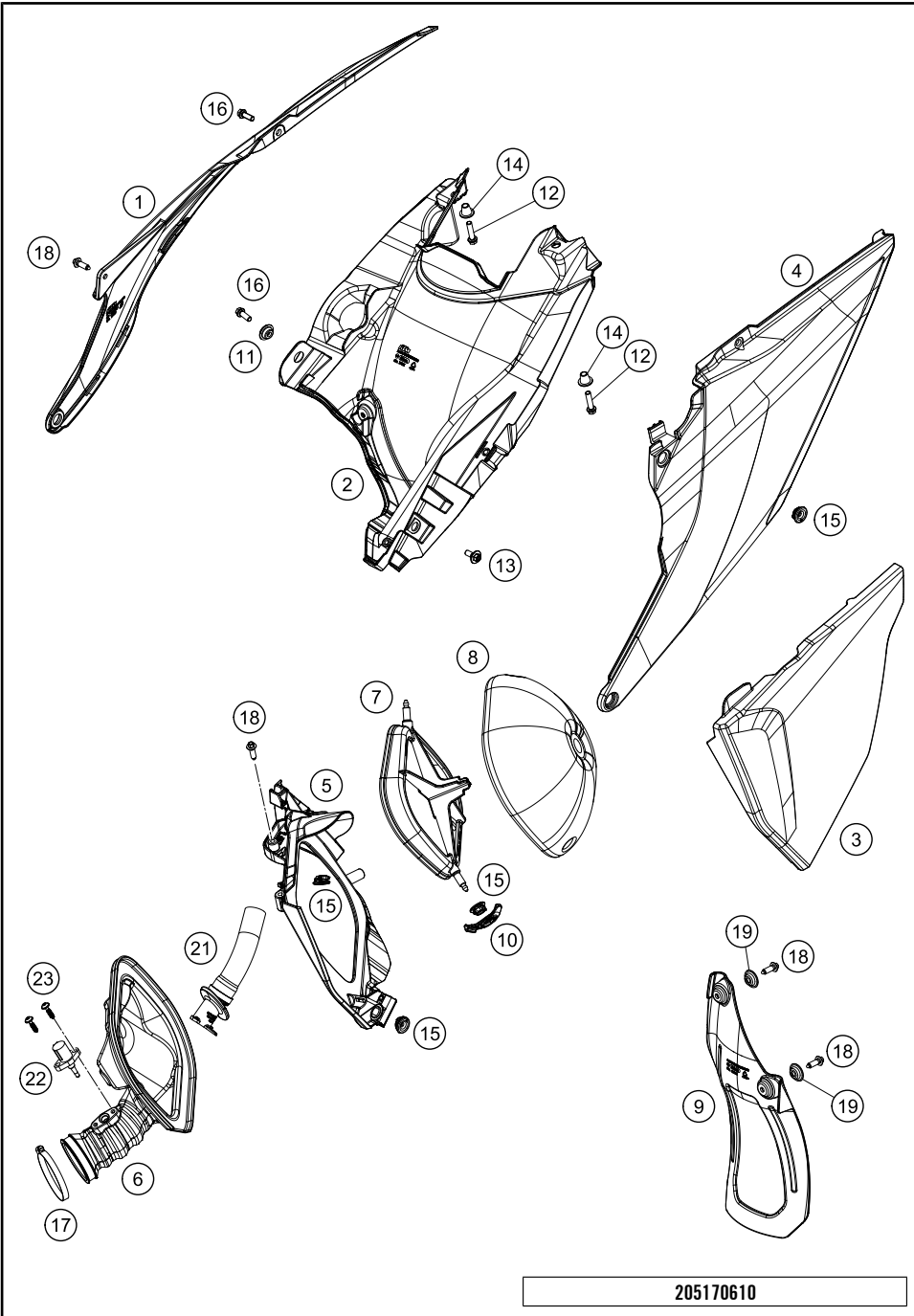
POS	PARTNUMBER	PARTNAME	PIECE
1	51705083100	Silencer EXC	1
2	78105081010	SCREW TORX M5X10	7
4	0011480800	DUMMY RIVET 4,8X 8 NIRO	7
5	77205068000	DAMP. COMPON. BLACK	2
6	51705083060	Endcap cpl.	1
7	51705083085	stuffingyarn package	1
8	50233041000	PAIR OF WASHERS M 6 NORDLOCK	2
9	0025060306	HH collar screw M6x30 TX30	2
10	51705009000	Exhaust manifold with catalyst	1
11	50405057000	exhaust rubber	1
12	0770440030	O-RING 44,00X3,00 VITON	2
13	50305016000	TEN.SPRING L=62MM EY.MOVEABLE	2
15	79105068000	Damper gray	1
16	0025080306	HH collar screw M8x30	1
17	75041090200	LAMBDA SENSOR	1
18	50405058000	Hose spring	2
19	77205169000	BUSHING 7.5x12x28x8.3 11	4
20	77805069000	BUSHING 8.5x12x28x8.3	2
99	00050000811	EXHAUST HARDWARE KIT 11-14	x

205170510

54513

* NEW PART

X ON DEMAND



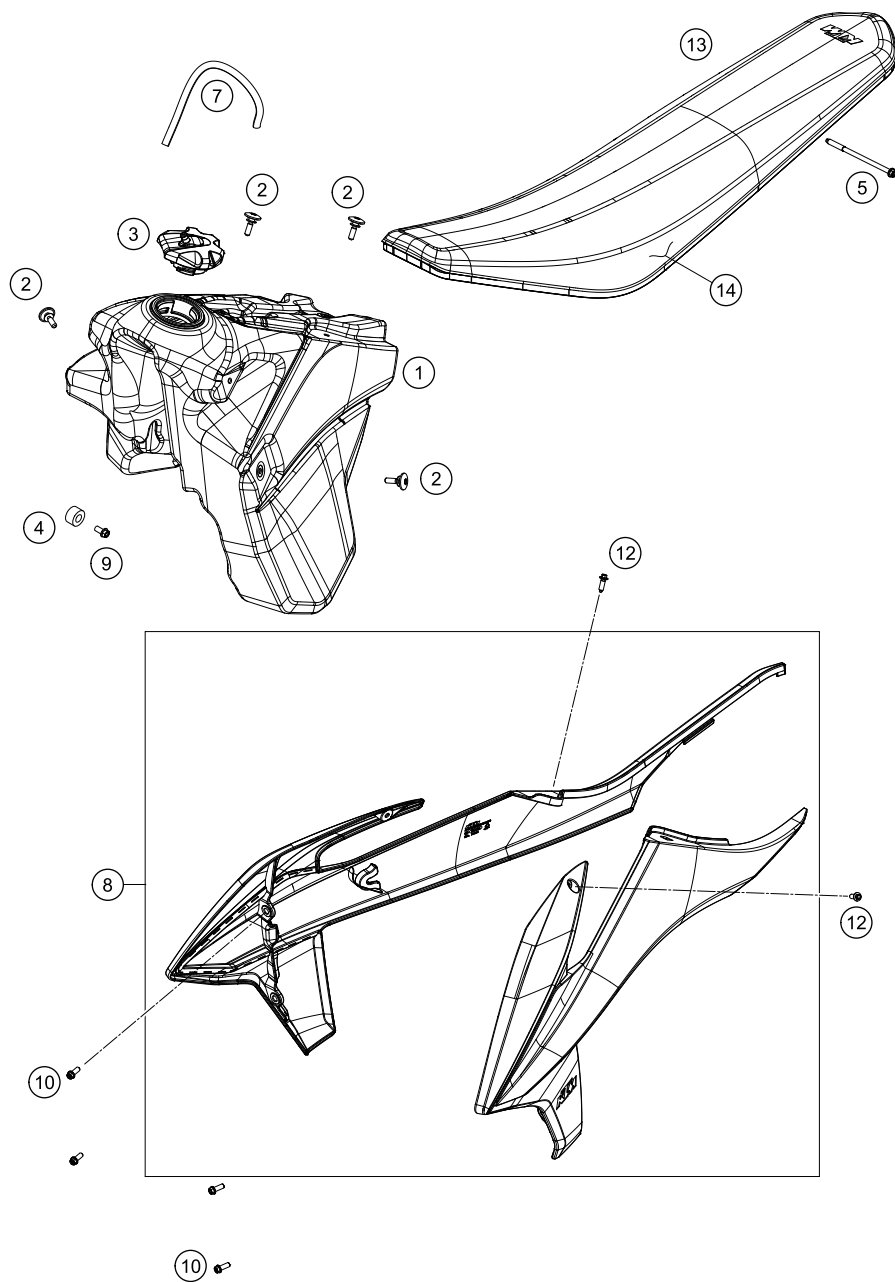
POS	PARTNUMBER	PARTNAME	PIECE
1	79106004000BJ	Side fairing, right	1
2	79106001000EB	AIR FILTER BOX bottom part	1
3	79106003000BJA	Air filter cover left	1
4	79106005000BJA	Air filter cover left	1
5	79106001010EB	AIR FILTER BOX front part	1
6	51706026000	Intake connection boot	1
7	50406016000	AIR FILTER SUPPORT	1
8	79006015000	AIR FILTER	1
9	79006010000	SPLASH GUARD	1
10	79006017000	FILTER MOUNTING BRACKET	1
11	77308013010	COLLAR BUSH. F.REAR FENDER 07	3
12	0025060256	HH collar screw M6x25 TX30	2
13	83008000015	SPECIAL SCREW M6X15X3	1
14	79103002020	Subframe bush	2
15	47106003160	quick release rubber grommet	5
16	0025060166	HH collar screw M6x16 TX30	1
17	78006027000	HOSE CLAMP 45-65MM	1
18	0017060206	SCREW F. PLASTIC K60X20AL SW6	4
19	77304066050	chain slider bushing	2
21	51706026050	Air quantity restrictor cmpl.	1
22	61041080000	AMBIENT-AIR TEMPERATURE SENSOR	1
23	0081050181	SCREW FOR PLASTIC K50X18 T20	2

205170610

54514

* NEW PART

X ON DEMAND



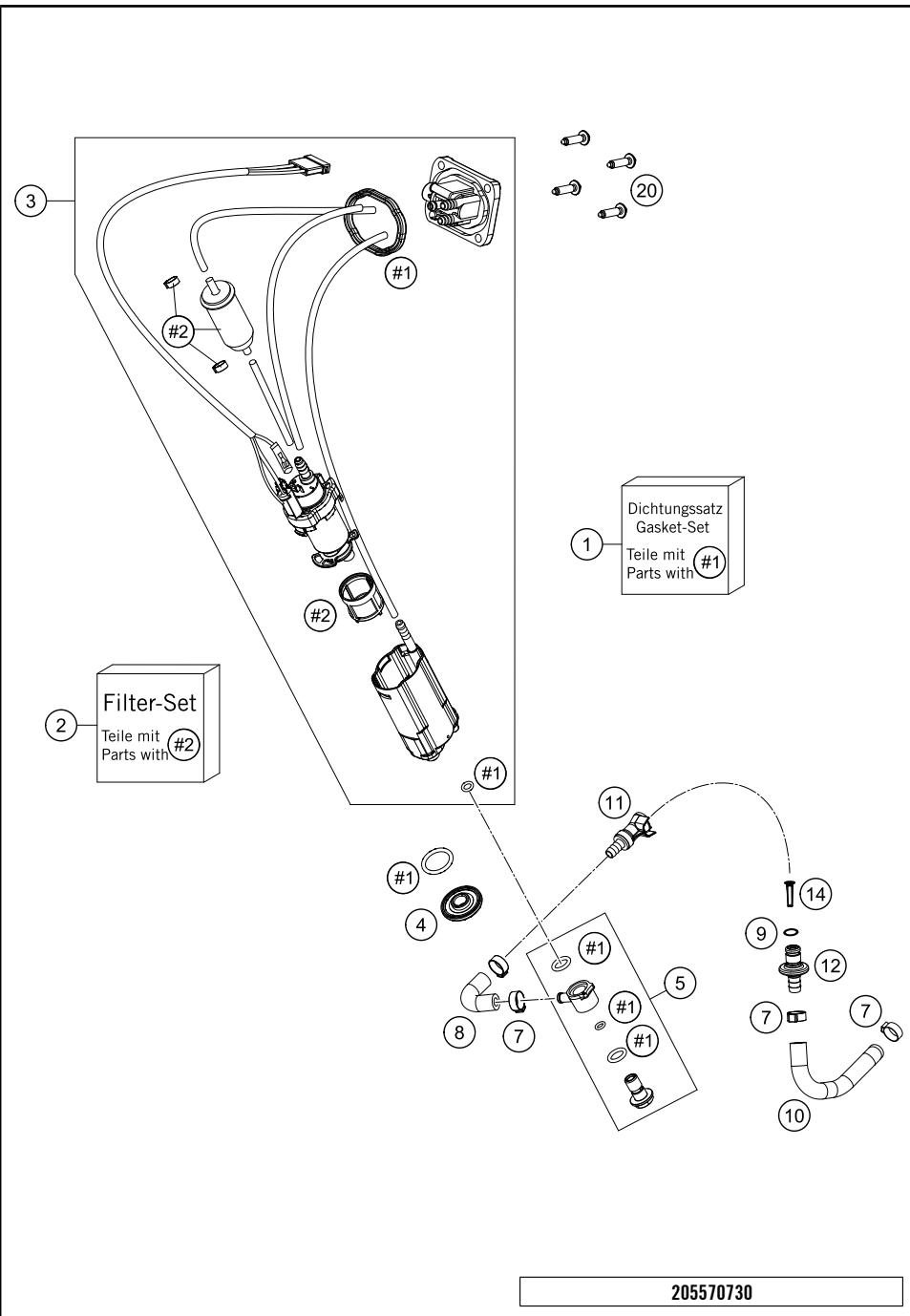
POS	PARTNUMBER	PARTNAME	PIECE
1	5570701300099	fuel tank	1
2	79107011000	Seat holder screw	4
3	78107008044X4	TANK PLUG CPL. 14	1
4	50307014000	TANK ROLLER 12X26X12 '98	3
5	79107040010	Seat screw	1
7	78007000270	PVC-HOSE 5,6X10X270MM	1
8	79108054000C1B	Spoiler set EXC/XC-W 21 WITH DECAL	1
9	0026060136	COLLAR SCREW M6X13 ISA30	3
10	0025060166	HH collar screw M6x16 TX30	4
12	0017060206	SCREW F. PLASTIC K60X20AL SW6	2
13	79707040000	seat	1
14	79707040050	seat cover	1

205570710

54528

* NEW PART

X ON DEMAND

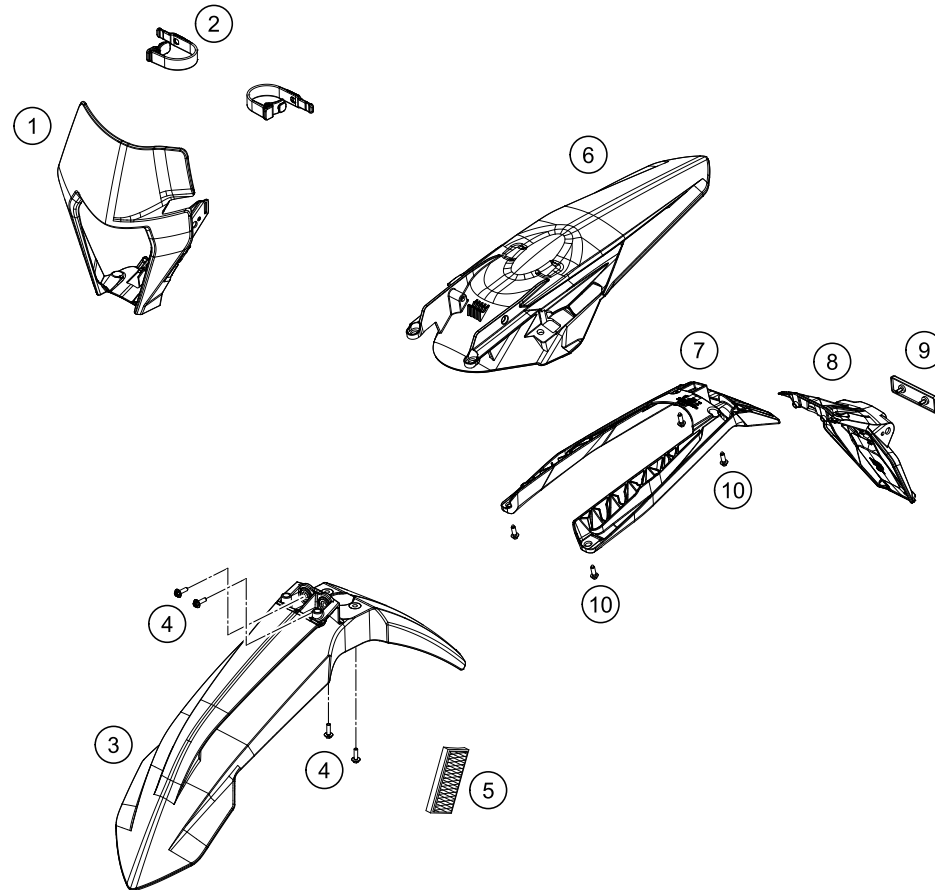


POS	PARTNUMBER	PARTNAME	PIECE
1	78107089100	GASKET KIT	1
2	81207090100	FILTER KIT	1
3	79707088100	Fuel pump	1
4	78107088014	NUT F. FUEL PUMP M12	1
5	55707090044	Fuel connection cmpl.	1
7	00050157706	VARIABLE ONE-EAR CLAMP 15,7MM	4
8	77407116000	FUEL HOSE TANK	1
9	58507012000	O-RING VITON F. PLUG CPC 05	1
10	55441020000	TPI supply hose	1
11	5850701050030	CLUTCH CPC BLACK 05	1
12	77707010000	CONNECTOR FUEL PUMP	1
14	78141013190	FUEL FILTER	1
20	0017060255	EJOT PT SCREW K60X25-Z SW6	4

205570730

52695

* NEW PART X ON DEMAND



POS	PARTNUMBER	PARTNAME	PIECE
1	79708001000EB	Headlight shroud	1
2	78108003000	MASK RUBBER	2
3	79008010000EB	FRONT FENDER ORANGE 15	1
4	0025060166	HH collar screw M6x16 TX30	4
5	58412080300	REFLECTOR YELLOW "CEV"	2
6	79708013000C1A	Tail section with decal	1
7	79708015000	License plate holder	1
8	79708016000	License plate holder extension	1
9	58412080400	Rear reflector red	1
10	0017060205	SCREW FOR PLASTIC K60X20 SW6	4

205570810

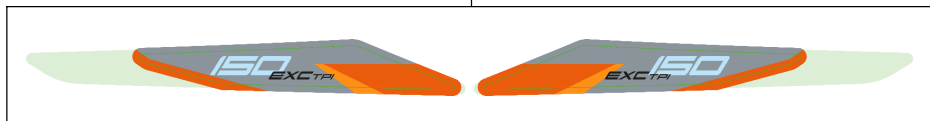
52638

* NEW PART

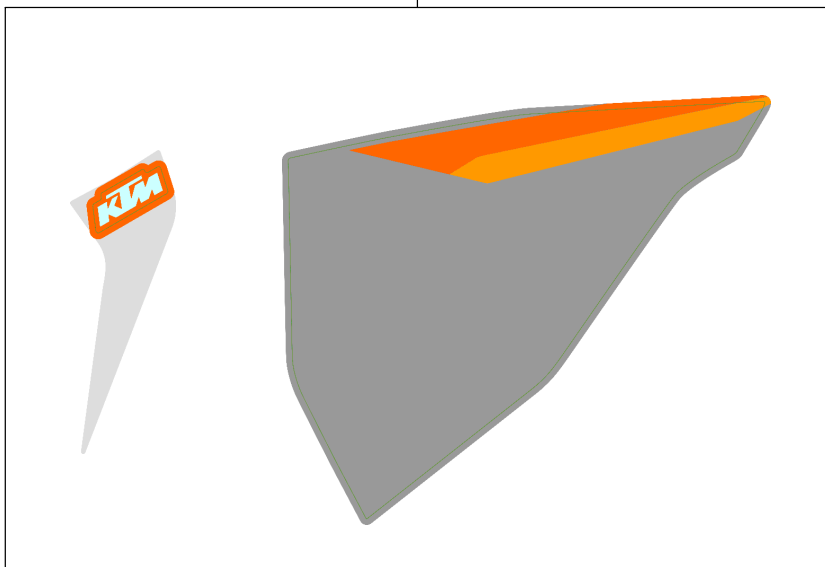
X ON DEMAND

POS	PARTNUMBER	PARTNAME	PIECE
1	79708199000	Graphics kit EXC/XC-W 21	1
2	79708198001	Decal set 150 EXC TPI	1

1



2



215170832

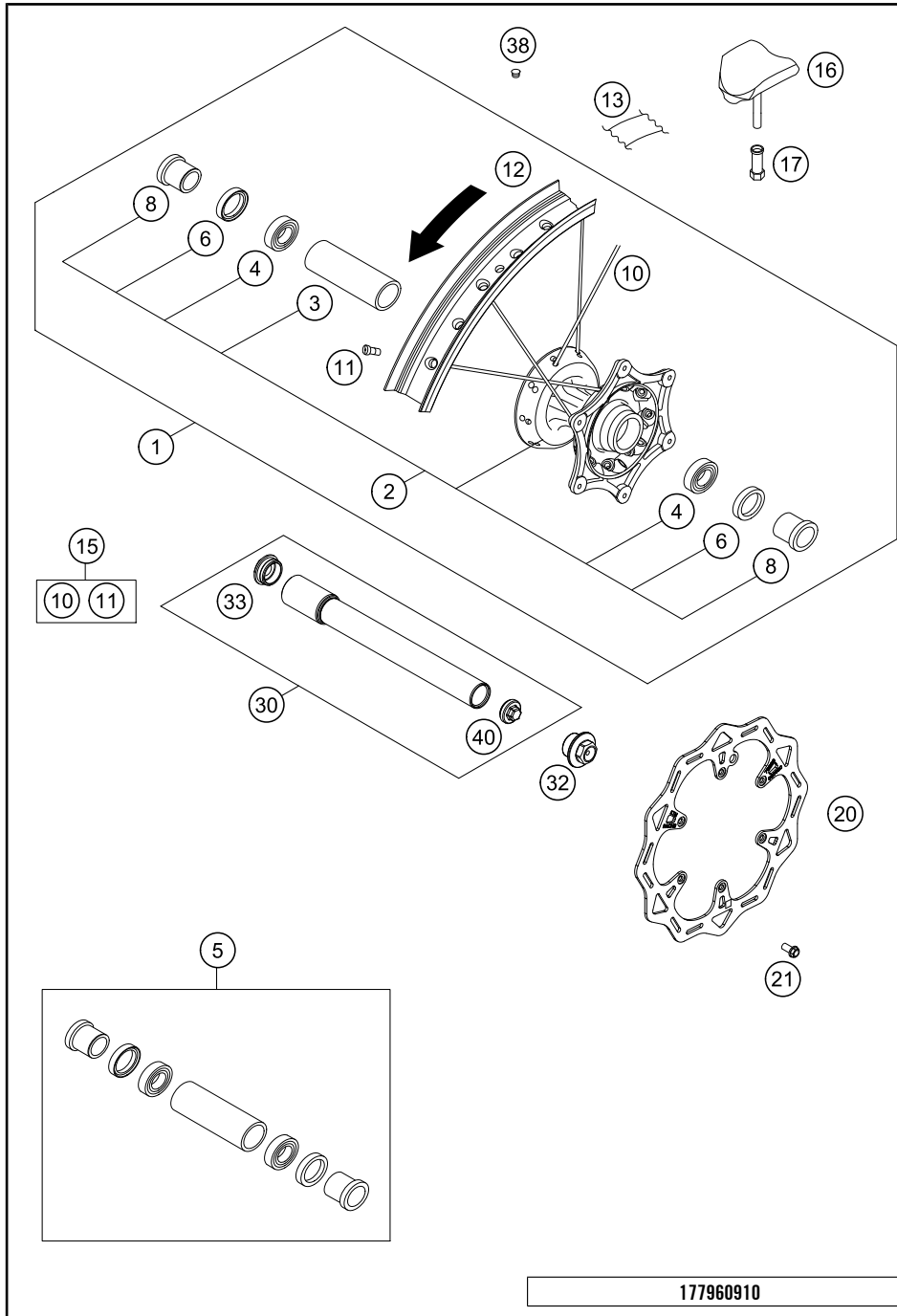
54515

* NEW PART

X ON DEMAND

FRONT WHEEL

150 EXC TPI 2021 EU 2021



POS	PARTNUMBER	PARTNAME	PIECE
1	7810910104430	FRONT WHL.CMPL.1.6X21"GIANT 22MM	1
2	77709010144	FRONT WHEEL HUB CPL.	1
3	54809011000	BEA.SPACERTUBE 35X2 L=79,4 03	1
4	0625069068	GR.BALL BEAR.6906 DDU2CG23S6NM	2
5	77709015000	FRONT WHEEL REP. KIT SX-F USA	1
6	0760354771	SHAFT SEAL RING 35X47X7 TC	2
8	77709012000	SPACER BUSHING F. FR. WHEEL	2
10	7710907122630	SPOKE M4,5X226- 21" BLACK 12	36
11	77109072000	SPOKE NIPPLE M4,5 AL 11	36
12	7810907000030	RIM FRONT 1,6X21" BLACK	1
13	50309073000	RIM BAND 21"	1
15	00050000954	SPOKE KIT FRONT "21" BLACK	x
16	78109090000	RIM LOCK 1,60"	1
17	77110090050	NUT FOR WHEEL HOLDER	1
20	79009060000	BRAKE DISC FRONT 260MM 16	1
21	59009062013	SPECIAL SCREW M6X13 WS=8 10.9	6
30	79109081033	Wheel spindle front cpl, 2019	1
32	70009082000	AXLESCREW M20X1.5 SW17	1
33	70009081050	PLUG BUSHING SW17 '12	1
38	55003135000	PLUG FOR RIM	x
40	7770908107055	AUXILIARY SCREW FRONT	1

177960910

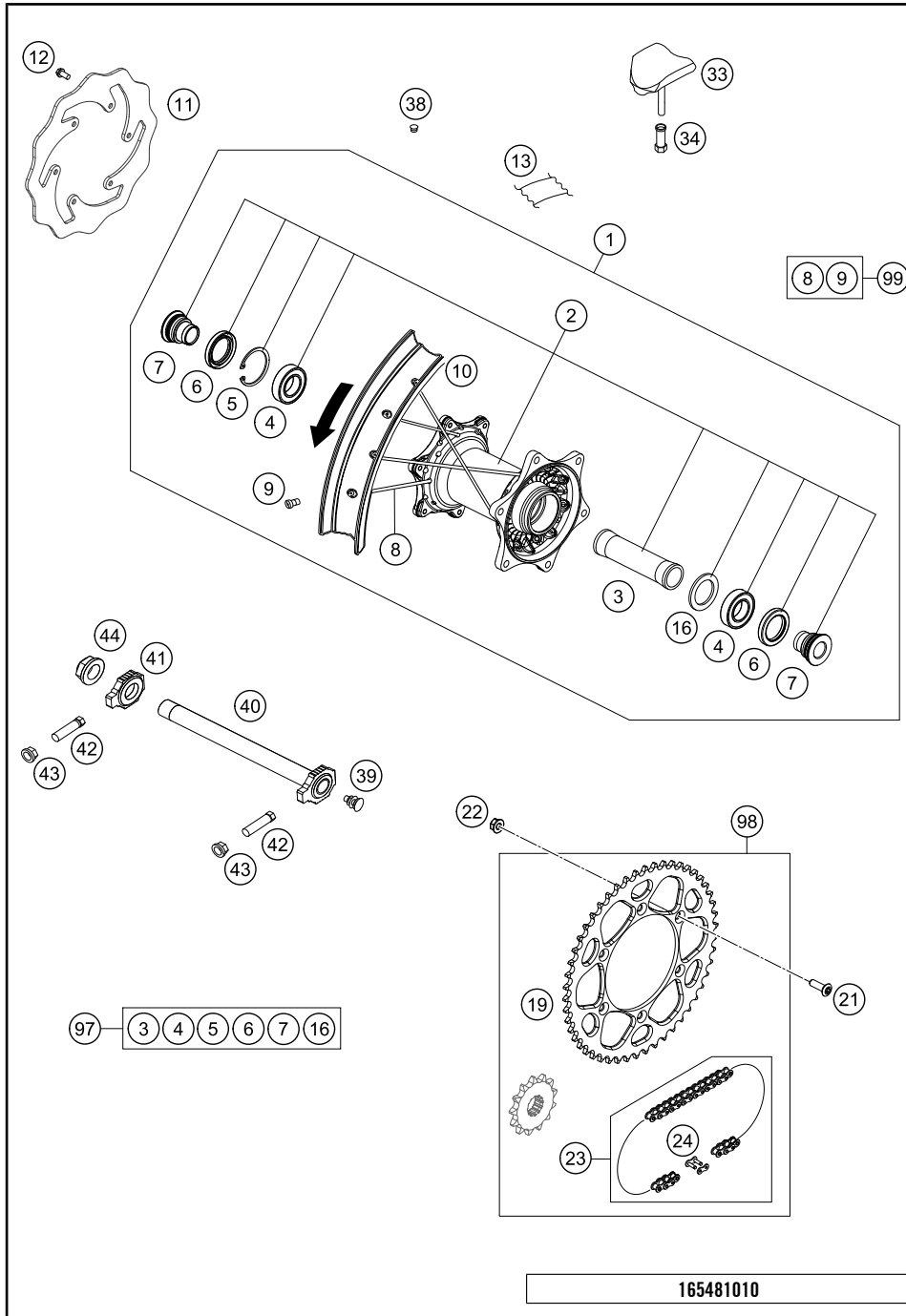
54485

* NEW PART

X ON DEMAND

REAR WHEEL

150 EXC TPI 2021 EU 2021



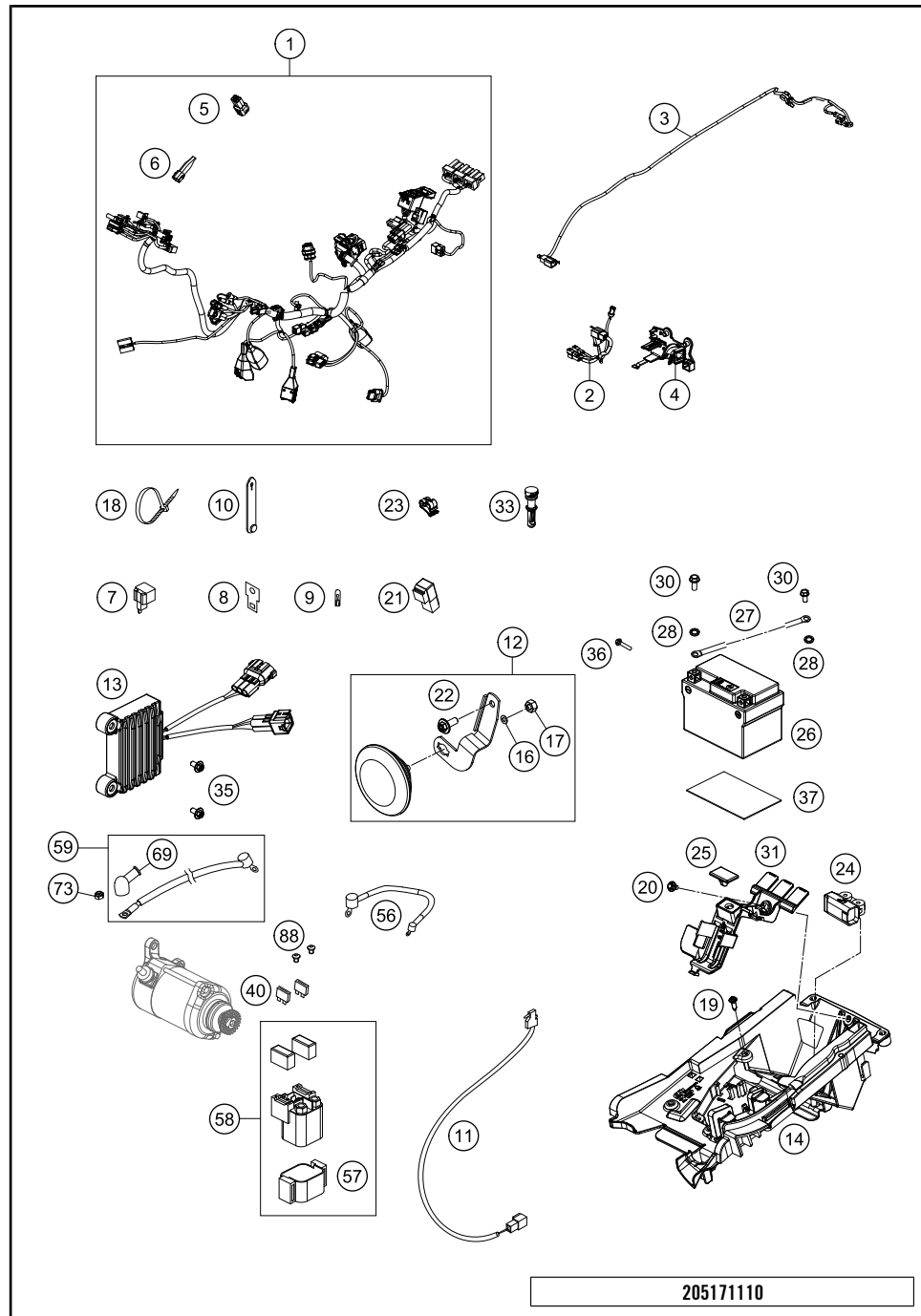
POS	PARTNUMBER	PARTNAME	PIECE
1	5041000114430	REAR WHEEL CPL. 2,15X18"BLACK 17	1
2	78010010144	REAR WHEEL HUB CPL.	1
3	77710011000	BEARING DISTANCE TUBE 121,5MM	1
4	0625060058	GR.BALL BEAR.6005 DDU2CG23S6NM	2
5	0472047175	CIRCLIP DIN0472-47X1,75	1
6	0760324771	SHAFT SEAL RING 32X47X7 BSL	2
7	78010016000	BUSHING FOR HUB 08	2
8	7901007119330	SPOKE M4,5X193-18" BLACK 16	36
9	79109072000	Spoke nipple M4.5	36
10	7811007000030	RIM REAR 2,15X18" BLACK	1
11	79010060000	BRAKE DISC REAR 220MM 16	1
12	59009062013	SPECIAL SCREW M6X13 WS=8 10.9	6
13	50310073200	RIM BAND 18" AND 19"	1
16	77710015000	DISTANCE RING	1
19	7771015104801	REAR SPROCKET 48-T	x
19	7771015105001	REAR SPROCKET 50-T	1
19	7771015105201	REAR SPROCKET 52-T	x
21	0019080266S	COUNTER-SUNK SCREW ISA45 M8X26	6
22	06923080003	hex nut EN 1661 M8 WS13	6
23	78010167118	CHAIN DID 118 LINKS	1
24	78010166000	CONNECTING LINK F. 78010167118	1
33	78110090000	RIM LOCK 2,15"	1
34	77110090050	NUT FOR WHEEL HOLDER	1
38	55003135000	PLUG FOR RIM	x
39	50210086000	COVERING CAP SFL16	x
40	77310085044	WHEEL SPINDLE RE. CPL.265MM 07	1
41	50310084000	CHAIN TENSIONER R/S 2000	1
42	50304040100	screw M10x1.25x50 WS10	2
43	58414030000	HH COLLAR NUT M10X1,25 WS=13	2
44	50310099000	HEXAGON NUT M20X1,5 '98	1
97	78010015010	REAR WHEEL REP. KIT	x
98	00050002094	Drive train kit 14Z / 50Z	x
99	00050000981	SPOKE KIT REAR 18" EXC 17	x

165481010

54516

* NEW PART

X ON DEMAND



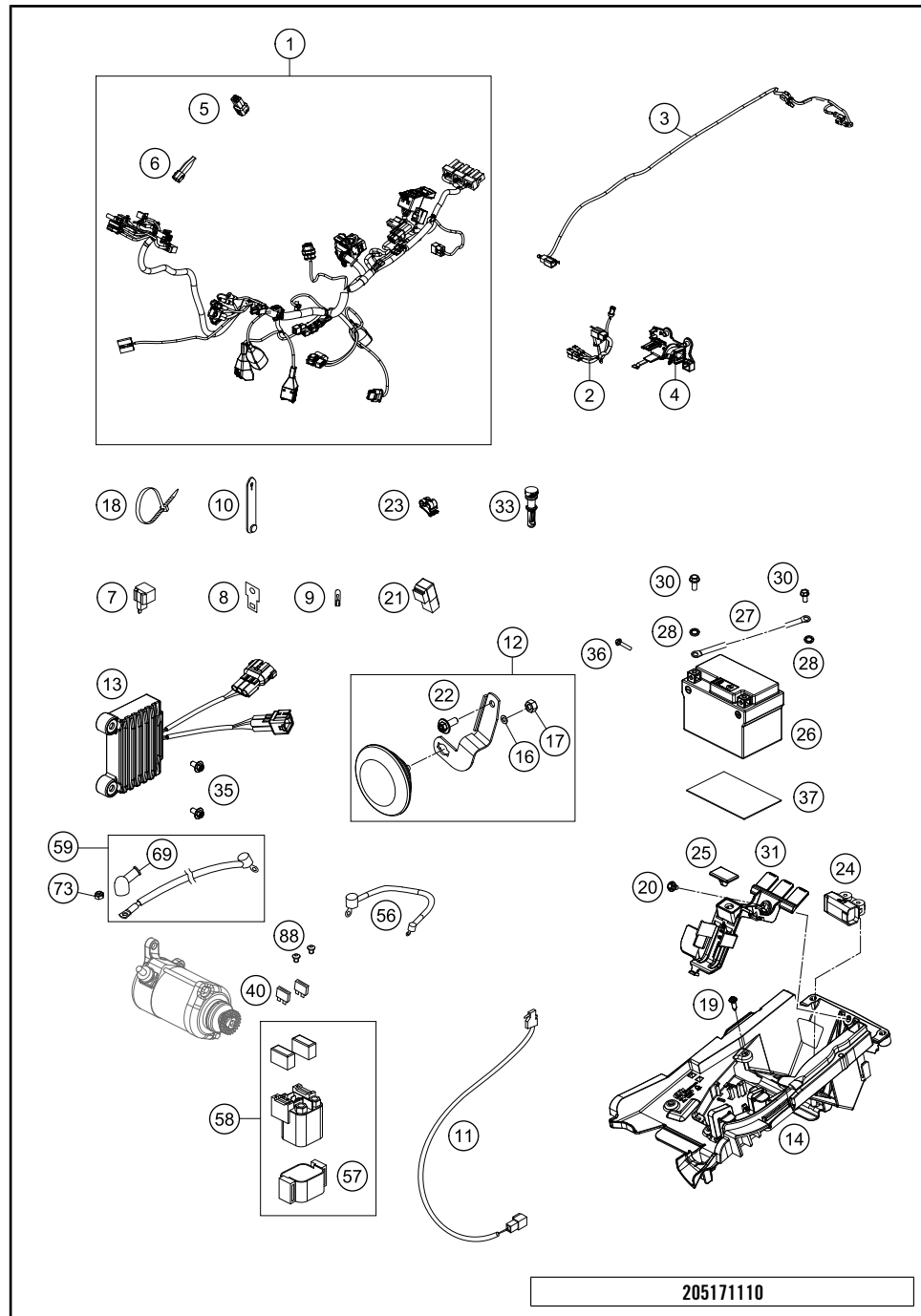
POS	PARTNUMBER	PARTNAME	PIECE
1	51711075000	Main wiring harness	1
2	72111080000	Flasher harness front	1
3	79711081000	flasher harness rear	1
4	79711083000	Connector support	1
5	000700000BH01	DUMMY PLUG 6-PIN	1
6	000700000AL001	Endconnector Can-Bus 2017	1
7	76511030000	FLASHER UNIT	1
8	58211031100	BRACKET FOR FLASHER RELAY	1
9	49111425200	BULB 12V 2,3W (W2X4,6D)	2
10	60011093075	RUBBER CABLE TIE 75MM Ø3	1
11	77711050000	BRAKE LIGHT SWITCH FRONT 2014	1
12	79711060033	Horn, cmpl.	1
13	79611034000	VOLTAGE REGULATOR	1
14	55711055000	battery box	1
16	0125050003	WASHER DINØ125-A 5,3	1
17	0934050003	HEXAGON NUT DINØ934-M 5	1
18	44011076140	CABLE TIE 140/2,5MM BLACK	x
18	44011076200	CABLE TIE 200/3,6MM BLACK	x
18	44011076305	CABLE TIE 300/4,8MM BLACK	x
19	0017060206	SCREW F. PLASTIC K60X20AL SW6	1
20	59001092050	SPECIAL SCREW M6X12,5 WS=8	1
21	61111057000	RELAY CM1A-R-12V-H80 07	2
22	0024060156	HH collar screw M6x15 TX30	1
23	83013026000	CABLE GUIDE	1
24	61041088000	ROLLOVER SENSOR 05	1
25	77307040041	Isolation pad	1
26	79111053000	battery 12V/24Wh	1
27	58411097100	GROUND CABLE D=6MM L=140MM '97	1
28	58411098100	CONTACT WASHER M6 VSV-K6	3
30	0025050126	HH collar screw M5x12 TX30	2
31	79711056000	battery support	1
33	55641030000	Holder control unit	4
35	0023060123	COLLAR SCREW M6X12 TX	1
36	0017060205	SCREW FOR PLASTIC K60X20 SW6	3
37	59003001099	METAMOLL 90X45X3MM Ø3	1
40	58011109120	FUSE 20 A	2
56	25111059050	Batteriekabel	1
57	58211058050	BRACKET RUBBER F.STARTRELAY 07	1

205171110

53127

* NEW PART

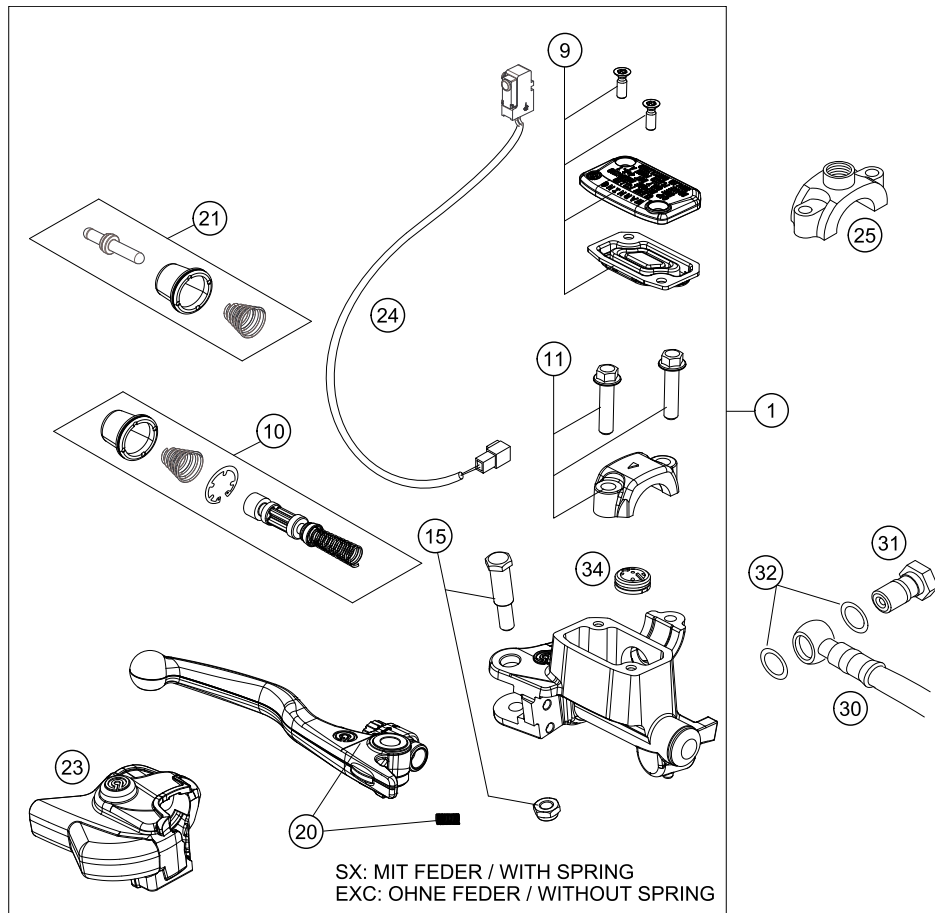
X ON DEMAND



POS	PARTNUMBER	PARTNAME	PIECE
58	58211058000	STARTER RELAY 12V '99	1
59	51711059000	starter cable	1
69	77240099000	PROTECTION CAP F. STARTER ENG.	1
73	0985060003	SELF LOCK. NUT DIN0985-M 6	1
88	0902060083	AH OVAL SCREW ISO 7380 M 6X8	2

53127

* NEW PART X ON DEMAND



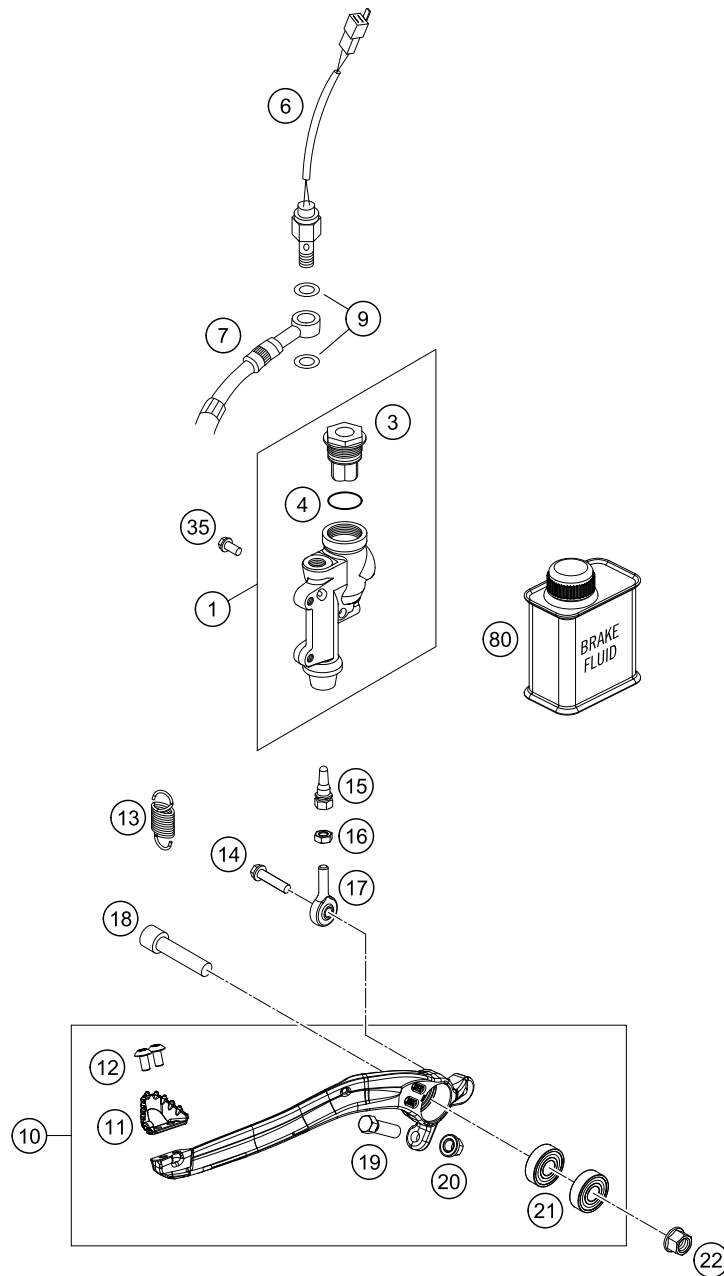
POS	PARTNUMBER	PARTNAME	PIECE
1	77713001144	HAND BREAK CYLIND. CPL. EXC 14	1
9	77713003000	HAND BRAKE CYL. COVER	1
10	77713008100	REPAIR KIT PISTON EXC 2014	1
11	50313005000	CLAMP CPL. NATURE	1
15	77713006000	LEVER SCREW	1
20	77713002000	HAND BRAKE LEVER +SPRING SX 14	1
21	77713007100	PUSH ROD CPL. EXC 2014	1
23	77713004000	PROTECTION CAP HAND BRAKE CYL.	1
24	77711050000	BRAKE LIGHT SWITCH FRONT 2014	1
25	58012040150	CLAMP FOR MIRROR '94	1
30	77713010000	BRAKE PIPE	1
31	54813020100	banjo bolt M10x1x19 black	1
32	0603100141	sealing ring DIN 7603 10x14x1	2
34	54802051000	VALVE	1
80	00062030000	BRAKE FLUID DOT5.1 0,25L	1

145031310

14388

* NEW PART

X ON DEMAND



POS	PARTNUMBER	PARTNAME	PIECE
1	77013060044	REAR BRAKE CYLINDER CPL.SX 09	1
3	54813062100	REAR BRAKE CYL. COVER CPL. 04	1
4	54813063000	FOOT-BRAKE CYL. GASKET SX 03	1
6	50311051100	BRAKE LIGHT SWITCH REAR '98	1
7	54813070200	Brake hose rear 655 mm	1
9	0603100141	sealing ring DIN 7603 10x14x1	2
10	55413050044	FOOT BRAKE LEVER CPL.	1
11	55413051000	STEP PLATE FOOT BRAKE LEVER	1
12	78105081010	SCREW TORX M5X10	2
13	79003062000	RETURN SPRING F. BRAKE LEVER	1
14	0025060206S	HH collar screw M6x20 TX30	1
15	54813056000	PUSH ROD L=28MM 03	1
16	0934060003	hex nut DIN 934 M6	1
17	54813055000	SWIVEL HEAD KA6 03	1
18	0032100406S	AH-COLLAR SCREW M10X40 ISA45	1
19	59001037000	SPECIAL SCREW M8X26 WS=10	1
20	46030045000	flanged nut M8 WS10	1
21	0625060002	deep groove ball bearing SKF 6000-2RS1	2
22	54630044000	COLLAR NUT M10 WS=13	1
35	0025060126	HH collar screw M6x12 TX30	2
80	00062030000	BRAKE FLUID DOT5.1 0,25L	1

177961330

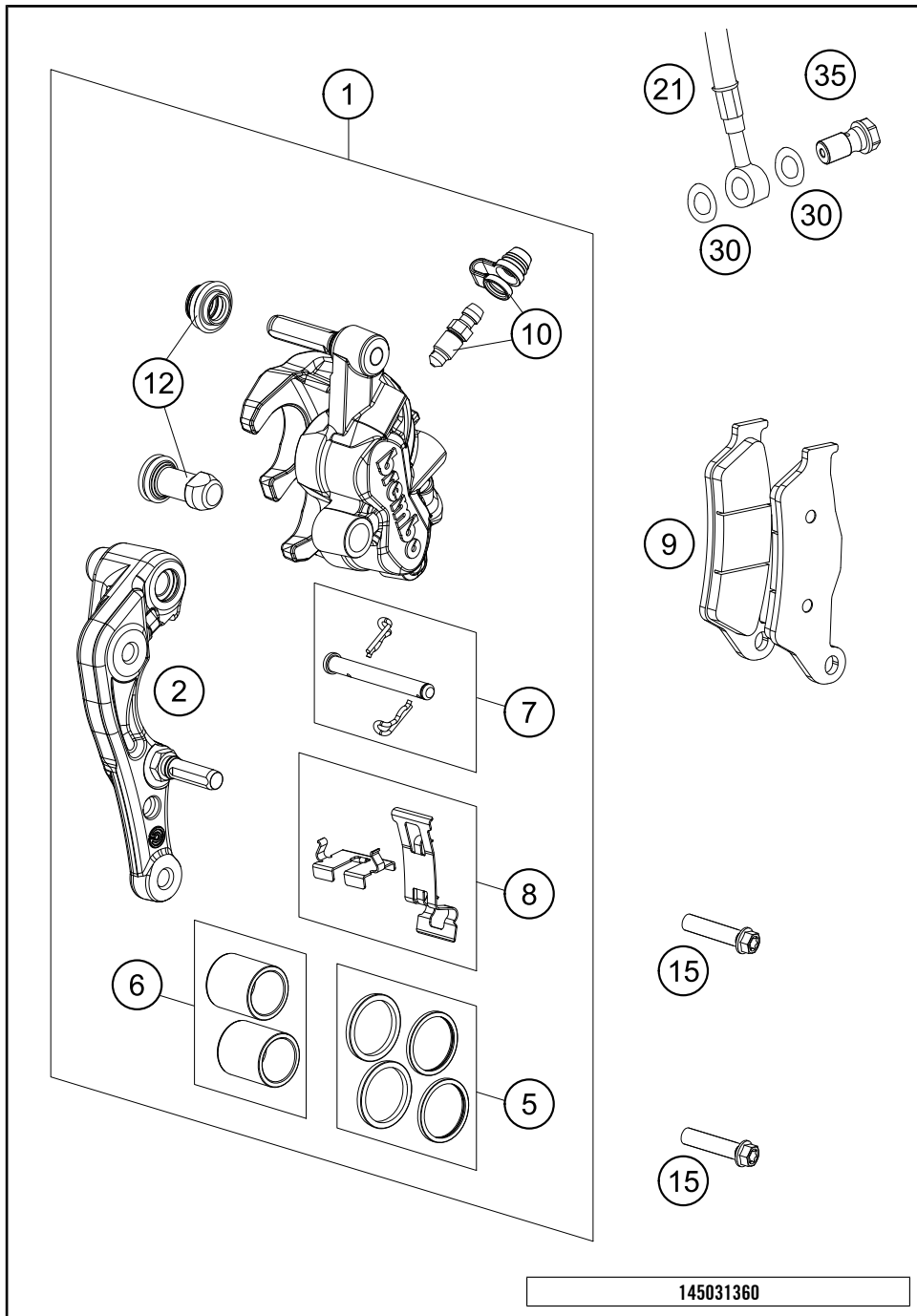
49340

* NEW PART

X ON DEMAND

FRONT BRAKE CALIPER

150 EXC TPI 2021 EU 2021

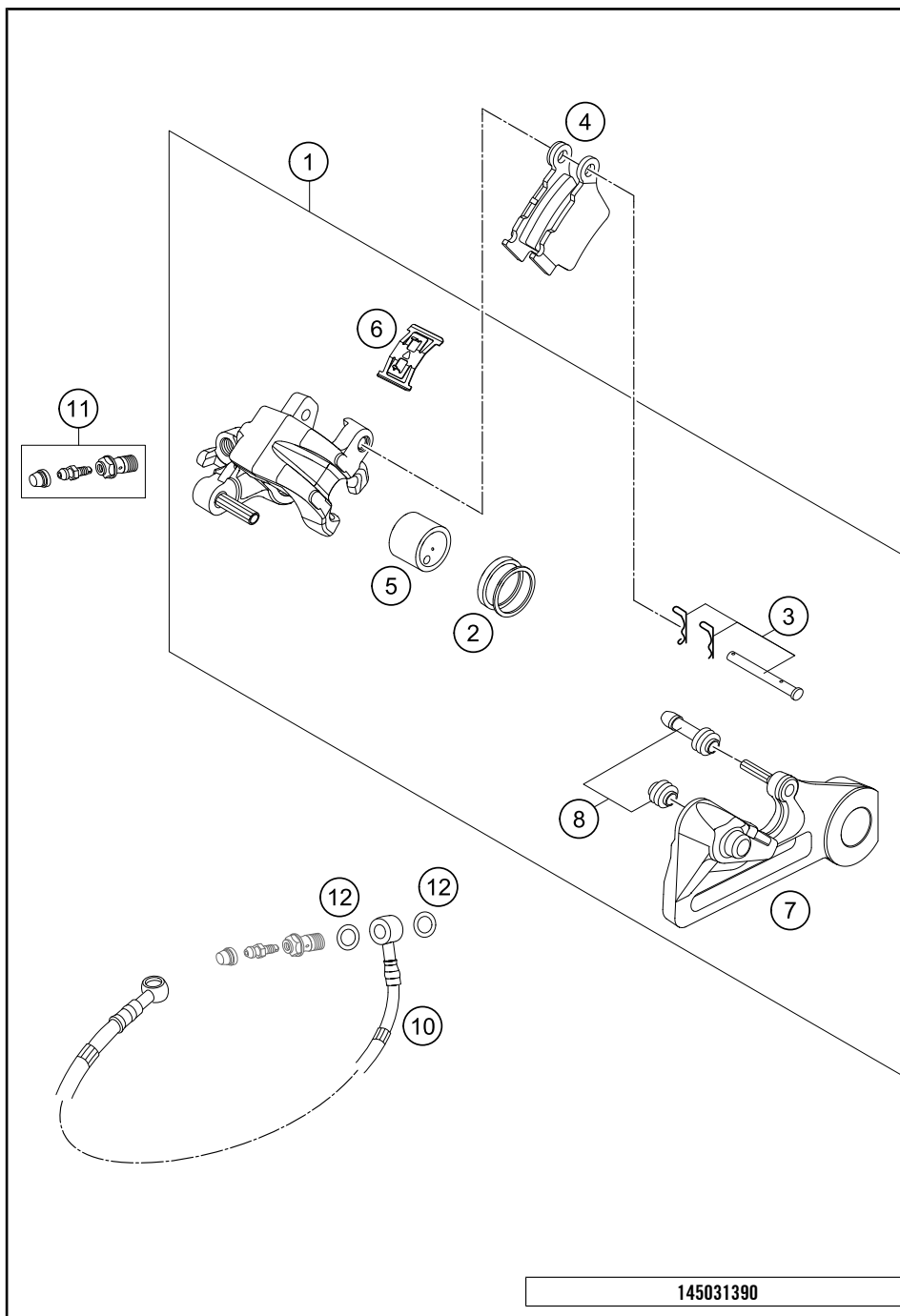


POS	PARTNUMBER	PARTNAME	PIECE
1	7701301500101	CALIPER NAT. WITHOUT PADS	1
2	77013014000	BRAKE CALIPER SUPPORT FRONT 09	1
5	77013021000	REP. KIT SEALS 24MM	1
6	77013019000	REP. KIT PISTON 24MM	1
7	77013017000	BOLT CPL. 09	1
8	77013018000	RETAINING PLATE SET BREMBO	1
9	77713030000	BRAKE PADS FRONT	1
10	61013020100	BLEEDER SCREW WITH CAP	1
12	54613218000	CUP SET SHORT	1
15	0025080306S	HH COLLAR SCREW M8X30 TX40	2
21	77713010000	BRAKE PIPE	1
30	0603100141	sealing ring DIN 7603 10x14x1	2
35	54813020100	banjo bolt M10x1x19 black	1

145031360

14399

* NEW PART X ON DEMAND

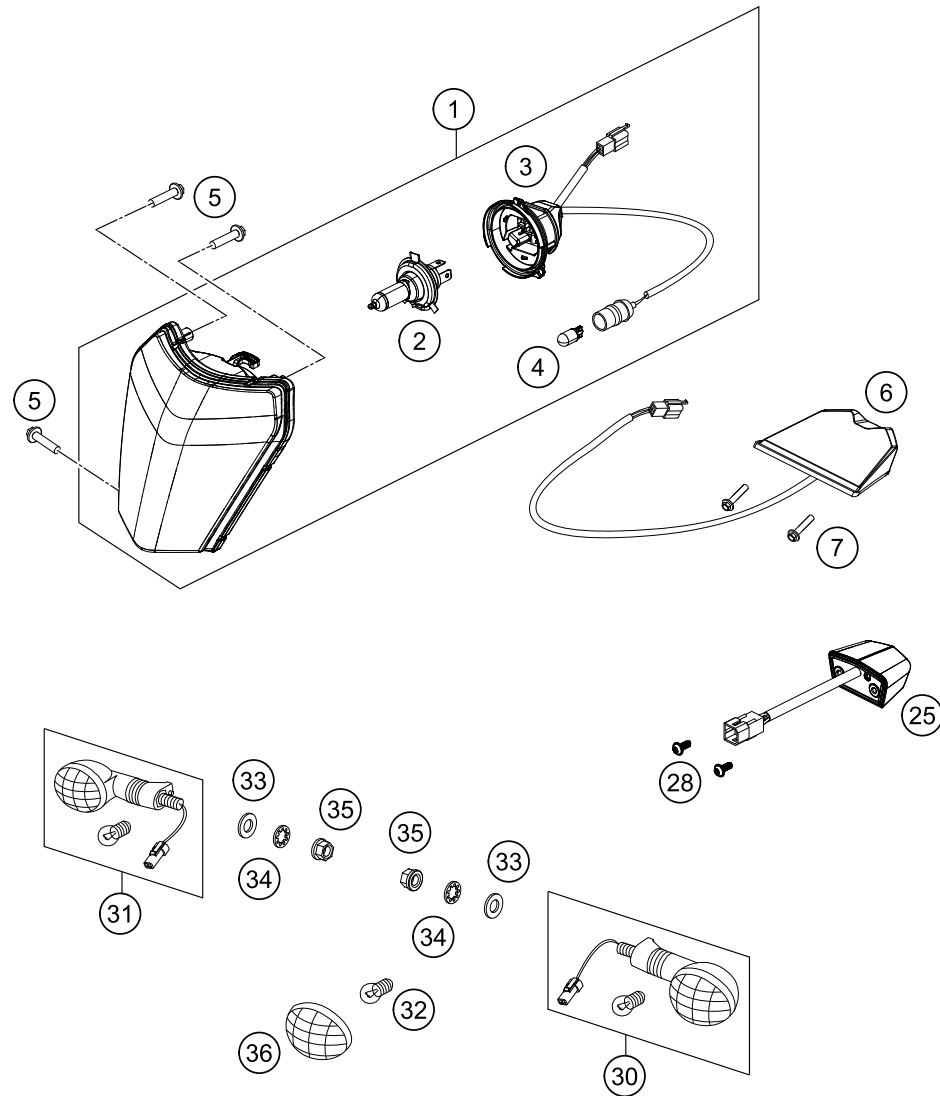


POS	PARTNUMBER	PARTNAME	PIECE
1	79613080001	BRAKE CALIPER REAR	1
2	79013081000	REPAIR KIT SEAL RING 24MM	1
3	54813082000	BOLT SET FOR BRAKE CALIPER 03	1
4	54813090300	BRAKE PAD SET REAR TOYO	1
5	79013083000	BRAKE PISTON 24MM	1
6	54813018000	RETAINING SPRING SET 2003	1
7	54813075000	BRAKE CALIPER SUPPORT REAR	1
8	54613218000	CUP SET SHORT	1
10	54813070200	Brake hose rear 655 mm	1
11	62513020000	BLEEDER SCREW CPL. 05	1
12	0603100141	sealing ring DIN 7603 10x14x1	2

145031390

49341

* NEW PART X ON DEMAND



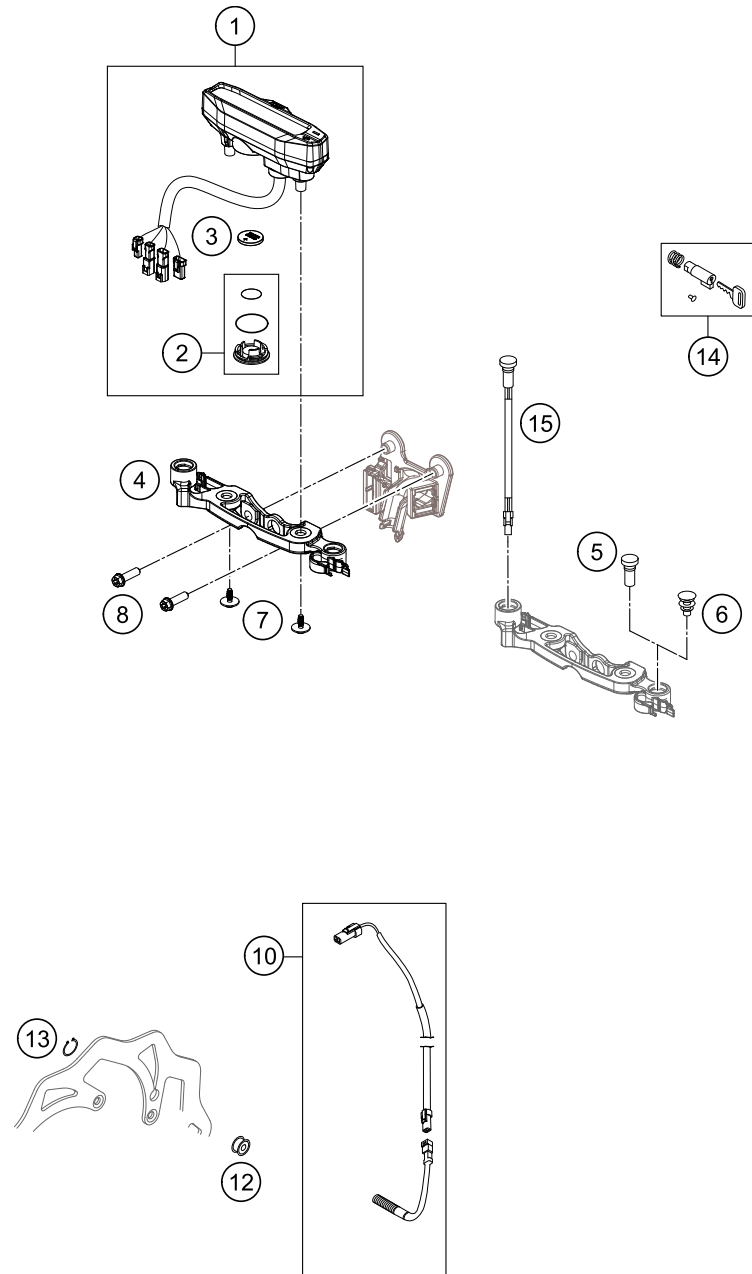
POS	PARTNUMBER	PARTNAME	PIECE
1	78114001000	HEAD LIGHT CPL. 2013	1
2	54611038012	BULB HS1 12V 35/35W WHITE	1
3	78114001050	LAMP BRACKET CPL. 2014	1
4	49011435100	BULB 12V 5W (W2,1X9,5D) PHIL.	1
5	0081050181	SCREW FOR PLASTIC K50X18 T20	3
6	79714040000	Tail light	1
7	0017060255	EJOT PT SCREW K60X25-Z SW6	2
25	60314047000	license plate lighting	1
28	0081050121	EJOT PT screw K50x12	2
30	54814025200	FLASHER CPL. FR.L/S RE.R/S 09	2
31	54814026200	FLASHER CPL. FR.R/S RE.L/S 09	2
32	44111015100	BULB 12V 10W (BA15S)	4
33	0125100003	washer DIN 125 A 10.5	4
34	0797100003	LOCK WASHER DIN6797-J10,5 ZI	4
35	58414030000	HH COLLAR NUT M10X1,25 WS=13	4
36	54814028000	FLASHER LENS L/S R/S 05	4

205571410

52673

* NEW PART

X ON DEMAND



POS	PARTNUMBER	PARTNAME	PIECE
1	77714069600	Speedometer digital km/h f. 21" REPROGRAMMABLE: KM/H - MPH	1
2	77714069010	BATTERY COVER F. SPEEDOMETER	1
3	58314068000	BATTERY F. SPEEDOM. M.A.E. 02	1
4	55614060000	Speed indicator mount	1
5	58011024300	FLASHER INDICAT.LIGHT GREEN'98	1
6	50210086000	COVERING CAP SFL16	1
7	0081645121	EJOT DELTA PT SCREW 45X12-Z	2
8	0024060206	HH collar screw M6x20 TX30	2
10	54814068100	CABLE FOR DIGITAL SPEEDOM. 06	1
12	54814069050	MAGNET FOR DIGITAL SPEEDOM. 03	1
13	0471009104	CIRCLIP DIN0471- 9X1 INOX	1
14	78003035100	Steering lock	1
15	55638063000	Oil Indicator	1

205571430

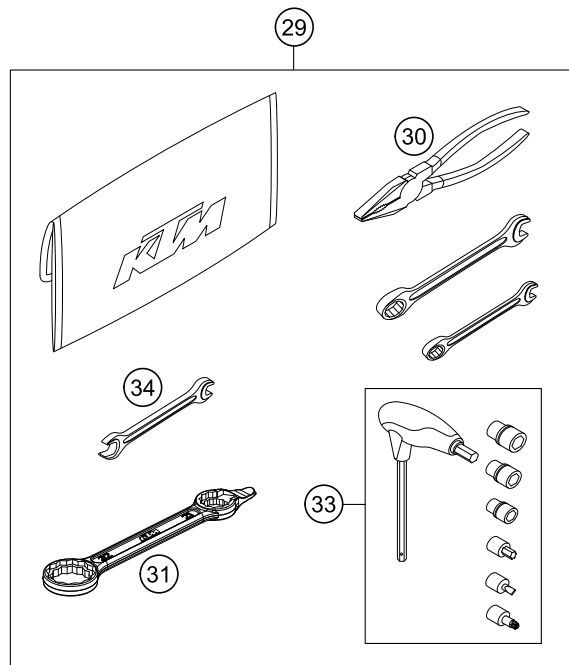
52677

* NEW PART

X ON DEMAND

0
OHNE ABBILDUNG
WITHOUT ILLUSTRATION

1
TECHNISCHE DOKUMENTATION
TECHNICAL DOCUMENTATION
DOCUMENTACION TECNICA
DOCUMENTATION TECHNIQUE
NOTE TECNICHE



POS	PARTNUMBER	PARTNAME	PIECE
0	52000238SET	Sticker set Xplor OC 238x182.5	1
0	50203098002	Sticker "Warning Label 2" EXC	1
0	312313	KTM BALLPOINT PEN ORANGE	1
0	79603040033	FOOTREST-SET	1
0	7910309400030	Frame protection set	1
0	51705007000	Manifold	1
0	54603048000	RANGE CHANGE METAL NUT M8	1
0	0025080306	HH collar screw M8x30	1
0	78141013190	FUEL FILTER	3
0	60408061050	RUBBER 14X6.5X2.3MM	2
0	79612099000	BYPACK TURN SIGNAL 2017	1
0	58412080300	REFLECTOR YELLOW "CEV"	2
0	0025050126	HH collar screw M5x12 TX30	2
0	58411098100	CONTACT WASHER M6 VSV-K6	2
0	79002014100	CAM 4-T 39,5 MM	1
0	7960218204430	Handguard	1
0	79602084044	Handguard assembly kit	1
0	58012040000	REAR MIRROR L/S	1
0	79708016000	License plate holder extension	1
0	58012140000	REAR MIRROR R/S	1
0	58012040150	CLAMP FOR MIRROR '94	2
0	58412080400	Rear reflector red	1
0	0019080206S	FLAT HEAD SCREW M. ISA45 M8X20	1
0	00063004202	PRINT LABEL 60X51 MM	1
0	312305	DOCUMENTS BAG 2006	1
0	3210917	NOTEPAD	1
0	77202002144	BAR PAD CPL.	1
0	81212016100	WASH CAP SET	1
0	20180204INT	KTM Bypack Folder Offroad	1
0	50403090144	Skid plate	1
0	78141013190	FUEL FILTER	1
0	20180189INT	Sticker accessory kit	1
0	000700000BH002	Dummy plug magnetic pump 2 str.	1
0	000700000AN01	Dummy plug 4-pins	1
0	7771015105001	REAR SPROCKET 50-T	1
0	77805069000	BUSHING 8.5x12x28x8.3	2
0	00063004012	HEADLIGHT MASK BOX	1
0	0019080206S	FLAT HEAD SCREW M. ISA45 M8X20	1

155482000

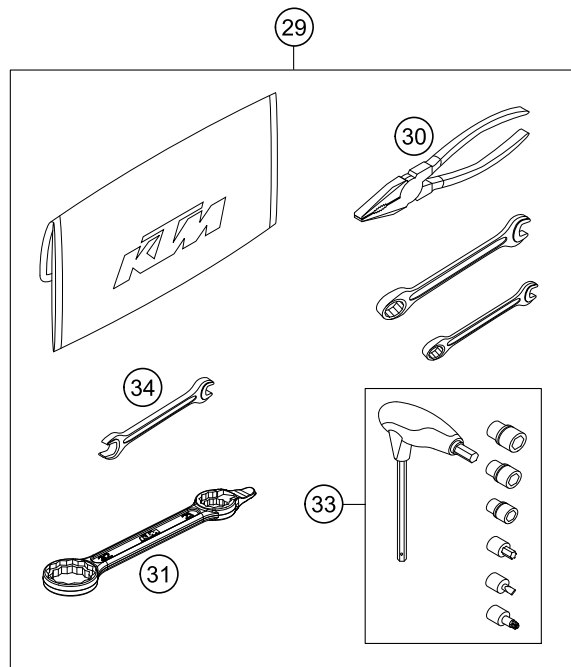
54530

* NEW PART

X ON DEMAND

0
OHNE ABBILDUNG
WITHOUT ILLUSTRATION

1
TECHNISCHE DOKUMENTATION
TECHNICAL DOCUMENTATION
DOCUMENTACION TECNICA
DOCUMENTATION TECHNIQUE
NOTE TECNICHE



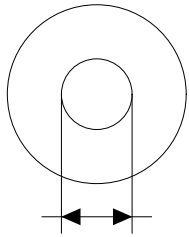
POS	PARTNUMBER	PARTNAME	PIECE
0	00063004204	Self-ad. stkr. 100X200 mm, perf., art. 3	2
1	3214218EN	Owner's manual 150 EXC TPI 150 XC-W TPI	1
29	54829099100	TOOL KIT 2012	1
30	53012028200	GRIP ORANGE B&F	1
31	50329080100	WRENCH SW=17/21/27/32 B&F	1
33	60029070300	T-WRENCH WS=6/8/10/TX45/SK4X1	1
34	50329072000	SPOKE-SPANNER WS 7/10	1

155482000

54530

* NEW PART

X ON DEMAND



5 Ø 5 mm

6 Ø 6 mm

8 Ø 8 mm

10 Ø 10 mm

12 Ø 12 mm

14 Ø 14-14,5 mm

16 Ø 16 mm

20 Ø 20 mm

21 Ø 21 mm

22 Ø 22 mm

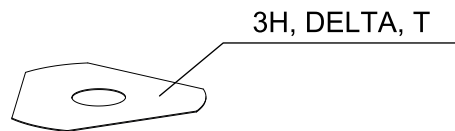
23 Ø 23 mm

24 Ø 24,5 mm

28 Ø 28,25-28,5 mm

32 Ø 32 mm

52 Ø 52 mm



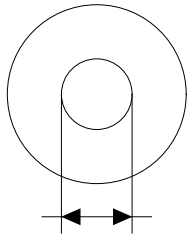
POS	PARTNUMBER	PARTNAME	PIECE
5	44906890	WASHER 5X15X2	X
6	40540400	Shim 6x12x0,10	X
6	40540401	Shim 6x14x0,10	X
6	40540402	Shim 6x16x0,10	X
6	40540403	Shim 6x18x0,10	X
6	40540404	Shim 6x12x0,15	X
6	40540405	Shim 6x14x0,15	X
6	40540406	Shim 6x16x0,15	X
6	40540407	SHIM 6X18X0,15	X
6	40540408	Shim 6x12x0,20	X
6	40540409	Shim 6x14x0,20	X
6	40540410	Shim 6x16x0,20	X
6	40540411	Shim 6x18x0,20	X
6	48600095	SHIM 6X20X0,20	X
6	40540412	Shim 6x12x0,25	X
6	40540413	Shim 6x14x0,25	X
6	40540414	Shim 6x16x0,25	X
6	40540415	Shim 6x18x0,25	X
6	40540417	SHIM 6X8,5X0,10	X
6	40540418	SHIM 6X9X0,10	X
6	40540419	SHIM 6X9,5X0,10	X
6	40540423	SHIM 6X9,5X0,15	X
6	40540425	SHIM 6X8,5X0,20	X
6	40540426	SHIM 6X9X0,20	X
6	40540427	SHIM 6X9,5X0,20	X
6	40540447	Shim 6x10x0,30	X
6	40540449	Shim 6x9x0,30	X
6	40540450	Shim 6x9,5x0,30	X
6	40540494	Shim 6x18x0,40	X
6	40540774	Shim 6x18x0,10 delta	X
6	40541383	Shim 6X11X0,10	X
6	40541391	Shim 6x11x0,30	X
6	40541402	Shim 6x11x0,20	X
6	40541403	SHIM 6X10X0,20	X
6	40541404	Shim 6x10x0,10	X
6	40541405	Shim 6x10x0,15	X
6	40541406	SHIM 6X11X0,15	X
6	40541408	SHIM 6X8,0X0,30	X

080000190

4668

* NEW PART

X ON DEMAND



5 Ø 5 mm

6 Ø 6 mm

8 Ø 8 mm

10 Ø 10 mm

12 Ø 12 mm

14 Ø 14-14,5 mm

16 Ø 16 mm

20 Ø 20 mm

21 Ø 21 mm

22 Ø 22 mm

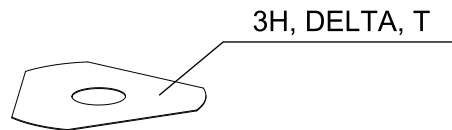
23 Ø 23 mm

24 Ø 24,5 mm

28 Ø 28,25-28,5 mm

32 Ø 32 mm

52 Ø 52 mm



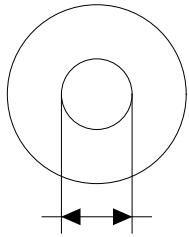
POS	PARTNUMBER	PARTNAME	PIECE
6	40541414	Shim 6x8x0,1	X
6	40541416	SHIM 6X8X0,3	X
6	40541417	SHIM 6X11X0,25	X
6	48600102	SHIM 6X24X0,25	X
6	48600063	Shim 6x24x0,10	X
6	48600064	Shim 6x22x0,10	X
6	48600065	Shim 6x20x0,10	X
6	48600069	Shim 6x20x0,15	X
6	48600100	Shim 6x24x0,15	X
6	48600116	Shim 6x24x0,10 delta	X
6	48600139	Shim 6x22x0,1 delta	X
6	48600217	Shim 6x10x0,25	X
6	48600325	Shim 6x13x0,10	X
6	48600327	SHIM 6X15X0,1	X
6	48600329	Shim 6x17x0,10	X
6	48600331	Shim 6x19x0,10	X
6	48600096	Shim 6x20x0,25	X
6	48600097	Shim 6x22x0,15	X
6	48600099	Shim 6x22x0,25	X
6	40540448	Shim 6x8,5x0,30	X
6	48600479	Shim 6x20x0,10 DELTA	X
6	48600332	SHIM 6X21X0,1	X
6	48600333	SHIM 6X23X0,1	X
6	40541393	Shim 6x12x0,30	X
6	48600330	SHIM 6X17X0,15	X
6	48600988	Shim 6x28x0,10	X
6	48600989	Shim 6x26x0,10	X
6	48601091	Shim 6x28x0,15	X
6	48601093	Shim 6x26x0,15	X
6	48600328	Shim 6x15x0,15	X
6	48600326	Shim 6x13x0,15	X
6	48601548	Shim 6x17x1,5	X
6	48601693	Washer 6x18x3	X
6	48600098	Shim 6x22x0,20	X
6	48601300	Washer 6x25x1,5	X
6	48601692	Shim 6x30x0,15	X
6	48601550	Shim 6x30x0,10	X
6	40541392	Shim 6x8x0,2	X

080000190

4668

* NEW PART

X ON DEMAND



5 Ø 5 mm

6 Ø 6 mm

8 Ø 8 mm

10 Ø 10 mm

12 Ø 12 mm

14 Ø 14-14,5 mm

16 Ø 16 mm

20 Ø 20 mm

21 Ø 21 mm

22 Ø 22 mm

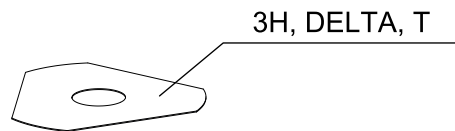
23 Ø 23 mm

24 Ø 24,5 mm

28 Ø 28,25-28,5 mm

32 Ø 32 mm

52 Ø 52 mm



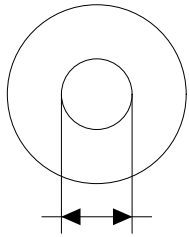
POS	PARTNUMBER	PARTNAME	PIECE
6	48601917	Washer 6x25x4	X
6	48601916	Washer 6x18x4	X
6	40540399	Shim 6x16x0,30	X
6	48601584	Shim 6x30x0,4 spring shim	X
6	48601459	Washer check valve 6x31x0,4	X
6	48601849	Check valve plate 2,5mm hub	X
6	48600101	SHIM 6X24X0,20	X
6	48601094	Shim 6x26x0,20	X
6	40540422	Shim 6X9X0,15	X
6	48601841	Washer check valve 6x31x0,4	X
6	48601850	Shim 6x30x0,4 spring shim	X
6	48601092	Shim 6x28x0,20	X
6	48601264	Shim 6x25x0,10	X
6	48600967	Shim 6x20x0,2 DELTA	X
6	48601847	Washer 6x25x1,5	X
6	48601707	Sinus shim plate 6X30	X
8	40540477	Shim 8x18x0,40	X
8	43570120	Shim 8x18x0,10	X
8	44916098	WASHER 8,4X16X0,8	X
8	44916130	WASHER 8,2X15X1	X
8	44916180	WASHER 8,2X11X1	X
8	48600214	Shim 8x16x0,10	X
8	48600385	SHIM 8x14x0,25	X
8	48600346	Shim 8x11x0,20	X
8	48600215	Shim 8x20x0,10	X
8	48600485	SHIM 8X10X0,10	X
8	48601402	SHIM 8X13X0,10	X
8	48600350	Shim 8x16x0,15	X
8	48600061	Shim 8x24x0,40	X
8	48600062	CHECK VALVE 8X24X0,1	X
8	48600216	Shim 8x22x0,10	X
8	48600480	Shim 8x10x0,20	X
8	48600555	SHIM 8X16X0,20	X
8	48600213	SHIM 8X14X0,10	X
8	48600357	Shim 8x11x0,10	X
8	48600351	Shim 8x12x0,10	X
8	48600607	Shim 8x20x0,40	X
8	48601095	Shim 8x17x0,10	X

080000190

4668

* NEW PART

X ON DEMAND



5 Ø 5 mm

6 Ø 6 mm

8 Ø 8 mm

10 Ø 10 mm

12 Ø 12 mm

14 Ø 14-14,5 mm

16 Ø 16 mm

20 Ø 20 mm

21 Ø 21 mm

22 Ø 22 mm

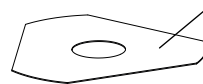
23 Ø 23 mm

24 Ø 24,5 mm

28 Ø 28,25-28,5 mm

32 Ø 32 mm

52 Ø 52 mm



3H, DELTA, T

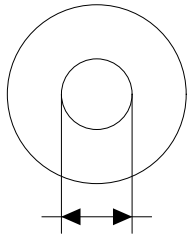
POS	PARTNUMBER	PARTNAME	PIECE
8	48600352	CHECK VALVE 8X11X0,4	X
8	48601860	Washer 8x11x0,15	X
8	48601266	Shim 8x26x0,40	X
8	46180640	Shim 8x16x0,3	X
8	43578166	Washer 8x20x1	X
8	48601113	Shim 8x15x0,1	X
8	48600218	Shim 8X11X0,40	X
8	48600964	Shim 8x20x0,15	X
10	36120284	SHIM 10X16X0,10	X
10	36120298	SHIM 10X16X0,2	X
10	36120312	SHIM 10X16X0,30	X
10	36120314	SHIM 10X18X0,30	X
10	36120325	SHIM 10X19X0,15	X
10	36120327	SHIM 10X23X0,15	X
10	36120328	SHIM 10X25X0,15	X
10	36120329	SHIM 10X27X0,15	X
10	36120330	SHIM 10X29X0,15	X
10	36120331	SHIM 10X31X0,15	X
10	36120332	SHIM 10X33X0,15	X
10	36120334	SHIM 10X21X0,20	X
10	36120335	SHIM 10X23X0,20	X
10	36120336	SHIM 10X25X0,20	X
10	36120337	SHIM 10X27X0,20	X
10	36120338	SHIM 10X29X0,20	X
10	36120339	SHIM 10X31X0,20	X
10	36120340	SHIM 10X33X0,20	X
10	36120342	SHIM 10X21X0,25	X
10	36120343	SHIM 10X23X0,25	X
10	36120344	SHIM 10X25X0,25	X
10	36120345	SHIM 10X27X0,25	X
10	36120349	SHIM 10X19X0,30	X
10	36120350	SHIM 10X21X0,30	X
10	36120313	SHIM 10X17X0,30	X
10	36120354	SHIM 10X29X0,30	X
10	40140275	WASHER 10X35X0,15	X
10	48601708	Shim 10x30x0,40	X
10	36120346	SHIM 10X29X0,25	X
10	36120355	SHIM 10X31X0,30	X

080000190

4668

* NEW PART

X ON DEMAND



5 Ø 5 mm

6 Ø 6 mm

8 Ø 8 mm

10 Ø 10 mm

12 Ø 12 mm

14 Ø 14-14,5 mm

16 Ø 16 mm

20 Ø 20 mm

21 Ø 21 mm

22 Ø 22 mm

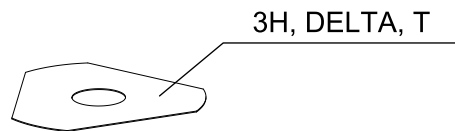
23 Ø 23 mm

24 Ø 24,5 mm

28 Ø 28,25-28,5 mm

32 Ø 32 mm

52 Ø 52 mm



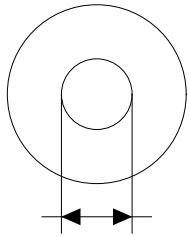
POS	PARTNUMBER	PARTNAME	PIECE
10	36120348	SHIM 10X33X0,25	X
10	36120311	SHIM 10X15X0,30	X
10	36120292	SHIM 10X17X0,15	X
10	36120326	SHIM 10X21X0,15	X
10	36120286	SHIM 10X18X0,10	X
10	36120347	SHIM 10X31X0,25	X
10	36120333	SHIM 10X19X0,20	X
10	36120351	SHIM 10X23X0,30	X
10	36120352	SHIM 10X25X0,30	X
10	36120353	SHIM 10X27X0,30	X
10	36120356	SHIM 10X33X0,30	X
10	36120604	Washer 10x22x2,5	X
12	46810490	SHIM 12X24X0,20	X
12	46810491	Shim 12x26x0,20	X
12	46810492	Shim 12x28x0,20	X
12	46810493	SHIM 12X30X0,20	X
12	46810494	Shim 12x32x0,20	X
12	46810495	Shim 12x34x0,20	X
12	46810496	SHIM 12X36X0,20	X
12	46810497	SHIM 12X38X0,20	X
12	46810498	Shim 12x40x0,20	X
12	46810499	Shim 12x24x0,25	X
12	46810500	SHIM 12X26X0,25	X
12	46810501	SHIM 12X28X0,25	X
12	46810502	Shim 12x30x0,25	X
12	46810504	SHIM 12X34X0,25	X
12	46810505	SHIM 12X36X0,25	X
12	46810507	Shim 12x40x0,25	X
12	46810508	SHIM 12X24X0,30	X
12	46810509	SHIM 12X26X0,30	X
12	46810510	SHIM 12X28X0,30	X
12	46810512	SHIM 12X32X0,30	X
12	46810513	SHIM 12X34X0,30	X
12	46810518	SHIM 12X26X0,15	X
12	46810519	SHIM 12X28X0,15	X
12	46810520	SHIM 12X30X0,15	X
12	46810521	SHIM 12X32X0,15	X
12	46810522	SHIM 12X34X0,15	X

080000190

4668

* NEW PART

X ON DEMAND



5 Ø 5 mm

6 Ø 6 mm

8 Ø 8 mm

10 Ø 10 mm

12 Ø 12 mm

14 Ø 14-14,5 mm

16 Ø 16 mm

20 Ø 20 mm

21 Ø 21 mm

22 Ø 22 mm

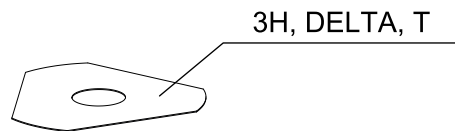
23 Ø 23 mm

24 Ø 24,5 mm

28 Ø 28,25-28,5 mm

32 Ø 32 mm

52 Ø 52 mm



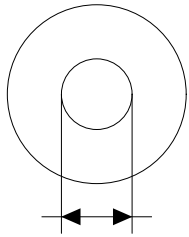
POS	PARTNUMBER	PARTNAME	PIECE
12	46810523	SHIM 12X36X0,15	X
12	46810524	SHIM 12X38X0,15	X
12	46810525	SHIM 12X40X0,15	X
12	46810604	SHIM 12X20X0,10	X
12	46810606	SHIM 12X22X0,10	X
12	46810607	SHIM 12X23X0,10	X
12	46810608	SHIM 12X24X0,10	X
12	46810610	Shim 12x17x0,15	X
12	46810611	SHIM 12X18X0,15	X
12	46810612	SHIM 12X19X0,15	X
12	46810615	SHIM 12X22X0,15	X
12	46810636	BACKPLATE 12X16X0,30	X
12	46810637	Shim 12x17x0,30	X
12	46810638	Shim 12x18x0,30	X
12	46810639	SHIM 12X19X0,30	X
12	46810641	Shim 12X21X0,30	X
12	46811582	Shim 12x30x0,10	X
12	46810631	SHIM 12X20X0,25	X
12	46810633	SHIM 12X22X0,25	X
12	46811580	Shim 12x32x0,10	X
12	46810503	SHIM 12X32X0,25	X
12	46810517	SHIM 12X24X0,15	X
12	46810856	Shim 12x20x0,30	X
12	46811258	Washer 12x24x2,5	X
12	46812018	Shim 12x42x0,25	X
12	46812015	Shim 12x44x0,20	X
12	46810613	SHIM 12X20X0,15	X
12	46810623	SHIM 12X21X0,20	X
12	46810624	SHIM 12X22X0,20	X
12	46810642	SHIM 12X22X0,30	X
12	46810643	SHIM 12X23X0,30	X
12	46811629	Shim 12x28x0,10	X
12	46810511	SHIM 12X30X0,30	X
12	46810514	SHIM 12X36X0,30	X
12	46810506	SHIM 12X38X0,25	X
12	46810515	SHIM 12X38X0,30	X
12	46812017	Shim 12x42x0,20	X
12	46812016	Shim 12x44x0,25	X

080000190

4668

* NEW PART

X ON DEMAND



5 Ø 5 mm

6 Ø 6 mm

8 Ø 8 mm

10 Ø 10 mm

12 Ø 12 mm

14 Ø 14-14,5 mm

16 Ø 16 mm

20 Ø 20 mm

21 Ø 21 mm

22 Ø 22 mm

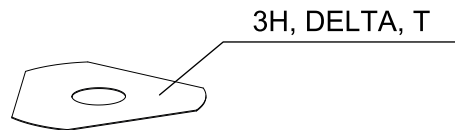
23 Ø 23 mm

24 Ø 24,5 mm

28 Ø 28,25-28,5 mm

32 Ø 32 mm

52 Ø 52 mm



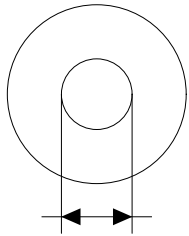
POS	PARTNUMBER	PARTNAME	PIECE
12	46810622	SHIM 12X20X0,20	X
12	46811635	Shim 12x26x0,10	X
12	50181296	Shim 12x45x0,20	X
12	46810620	Shim 12x18x0,2	X
12	46810616	Shim 12x23x0,15	X
12	46810625	SHIM 12X23X0,20	X
12	50181297	Adjustment 12x45x0,25	X
12	46810603	SHIM 12X19X0,10	X
12	46180712	SHIM 12X36X0,10	X
14	35480479	Shim 14x26x0,40	X
14	46811046	Washer 14,5x35,4x1,25	X
16	50180023	SHIM 16X23X0,20	X
16	50180030	Shim 16x23x0,25	X
16	50180006	Shim 16x20x0,10	X
16	50180007	SHIM 16X21X0,10	X
16	50180028	SHIM 16X21X0,25	X
16	50180210	Washer 16x21x1	X
16	50180008	SHIM 16X22X0,10	X
16	50180022	Shim 16x22x0,20	X
16	50180037	SHIM 16X23X0,30	X
16	50180038	SHIM 16X24X0,30	X
16	50180032	Shim 16x25x0,25	X
16	50180039	SHIM 16X25X0,30	X
16	50180012	SHIM 16X26X0,10	X
16	50180019	SHIM 16X26X0,15	X
16	50180026	SHIM 16X26X0,20	X
16	50180040	SHIM 16X26X0,30	X
16	50180041	SHIM 16X28X0,10	X
16	50180045	Shim 16x28x0,15	X
16	50180054	Shim 16x28x0,2	X
16	50180063	SHIM 16X28X0,25	X
16	50180072	SHIM 16X28X0,30	X
16	50180046	SHIM 16X30X0,15	X
16	50180055	SHIM 16X30X0,20	X
16	50180064	Shim 16x30x0,25	X
16	50180073	SHIM 16X30X0,30	X
16	50180047	Shim 16X32X0,15	X
16	50180056	Shim 16x32x0,2	X

080000190

4668

* NEW PART

X ON DEMAND



5 Ø 5 mm

6 Ø 6 mm

8 Ø 8 mm

10 Ø 10 mm

12 Ø 12 mm

14 Ø 14-14,5 mm

16 Ø 16 mm

20 Ø 20 mm

21 Ø 21 mm

22 Ø 22 mm

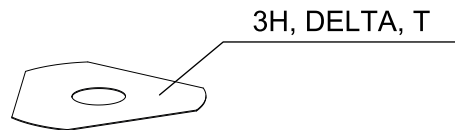
23 Ø 23 mm

24 Ø 24,5 mm

28 Ø 28,25-28,5 mm

32 Ø 32 mm

52 Ø 52 mm



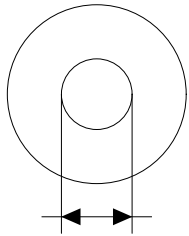
POS	PARTNUMBER	PARTNAME	PIECE
16	50180065	SHIM 16X32X0,25	X
16	50180074	SHIM 16X32X0,30	X
16	50180044	SHIM 16X34X0,10	X
16	50180048	SHIM 16X34X0,15	X
16	50180057	Shim 16x34x0,2 y5	X
16	50180066	SHIM 16X34X0,25	X
16	50180075	SHIM 16X34X0,30	X
16	50180049	Shim 16x36x0,15	X
16	50180058	Shim 16x36x0,20	X
16	50180067	SHIM 16X36X0,25	X
16	50180076	SHIM 16X36X0,30	X
16	50180050	SHIM 16X38X0,15	X
16	50180059	SHIM 16X38X0,20	X
16	50180068	SHIM 16X38X0,25	X
16	50180077	SHIM 16X38X0,30	X
16	50180051	Shim 16x40x0,15	X
16	50180060	Shim 16x40x0,2	X
16	50180069	SHIM 16X40X0,25	X
16	50180078	SHIM 16X40X0,30	X
16	50180052	SHIM 16X42X0,15	X
16	50180061	Shim 16x52x0,2	X
16	50180070	SHIM 16X42X0,25	X
16	50180079	SHIM 16X42X0,30	X
16	50180053	SHIM 16X44X0,15	X
16	50180062	Shim 16X44X0,20	X
16	50180071	SHIM 16X44X0,25	X
16	50180080	SHIM 16X44X0,30	X
16	50180177	Springwasher 8,2x16x0,6	X
16	50180033	Shim 16x26x0,25	X
16	50180034	Shim 16x20x0,30	X
16	50180035	Shim 16x21x0,30	X
16	50180036	Shim 16x22x0,30	X
16	50180043	SHIM 16X32X0,10	X
16	50180024	Shim 16x24x0,20	X
16	50180027	SHIM 16X20X0,25	X
16	50180031	Shim 16x24x0,25	X
16	50180029	SHIM	X
16	50180010	SHIM 16X24X0,10	X

080000190

4668

* NEW PART

X ON DEMAND



5 Ø 5 mm

6 Ø 6 mm

8 Ø 8 mm

10 Ø 10 mm

12 Ø 12 mm

14 Ø 14-14,5 mm

16 Ø 16 mm

20 Ø 20 mm

21 Ø 21 mm

22 Ø 22 mm

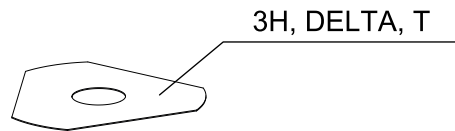
23 Ø 23 mm

24 Ø 24,5 mm

28 Ø 28,25-28,5 mm

32 Ø 32 mm

52 Ø 52 mm



POS	PARTNUMBER	PARTNAME	PIECE
16	50180021	SHIM 16X21X0,20	X
16	50180025	SHIM 16X25X0,20	X
16	50180383	Washer 16x19x0,3	X
16	50180014	SHIM	X
16	50180013	SHIM 16X20X0,15	X
16	50180015	DISTANCER PLATE 16X22X0,15	X
20	48600212	PRESSURE-RING 20X16,25X0,20	X
20	50180666	SHIM 20X24X0,30	X
20	50180654	SHIM 20X36X0,20	X
20	50180655	SHIM 20X38X0,20	X
20	50180656	SHIM 20X40X0,20	X
20	50180665	SHIM 20X40X0,25	X
20	50180662	SHIM 20X34X0,25	X
20	50180657	SHIM 20X24X0,25	X
20	50180653	SHIM 20X34X0,20	X
20	50180634	RING 20X22,9X1	X
20	50180650	SHIM 20,2X28X0,20	X
20	50180663	SHIM 20X36X0,25	X
20	50180664	SHIM 20X38X0,25	X
20	50180659	SHIM 20,2X28X0,25	X
21	50180209	Shim 21x36x0,25	X
22	50180330	Shim 18x22x0,3	X
23	50180635	SHUTTLE VALVE 23X38X0,25	X
23	50180578	SHIM D23XD16X2	X
24	40541061	WASHER 24,5X34X2	X
28	36120469	SHIM 28,5X14X2	X
28	36120471	SHIM 28,5X14X5	X
28	89000001	Shim 28,25x34x0,30	X
32	48600460	WASHER 32X42X2,5	X
32	50600065	SHIM 32X45X2	X
32	46811637	Shim 32,25x36x0,30	X
52	50600002	Washer 52x59x2,2	X

080000190

4668

* NEW PART

X ON DEMAND

WWW.KTM.COM



KTM Sportmotorcycle GmbH
5230 Mattighofen, Austria
www.ktm.com



KTM_POWERPARTS

KTM_POWERWEAR

KTM_ORIGINAL SPARE PARTS



F7103U6EN

Art. Nr.: F7103U6EN 17. Feb 2020