

# 300 EXC TPI 2022 EU 2022

ART.-NR.: F7403V7EN

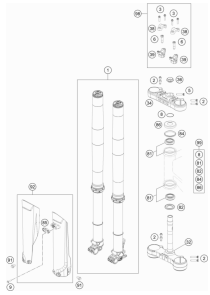




All information contained is without obligation. KTM Sportmotorcycle GmbH particularly reserves the right to modify any equipment, technical specifications, prices, colors, shapes, materials, services, service work, constructions, equipment and the like so as to adapt them to local conditions or to cancel any of the above items, all without previous announcement and without giving reasons. KTM may stop manufacturing certain models without previous notice. KTM shall not be held liable for any deviations of availability and/or ability to deliver, illustrations, descriptions, printing and/or other errors. The illustrated models partly contain extra equipment, which is not applied to standard models.

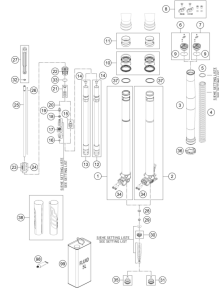
© by KTM Sportmotorcycle GmbH, Mattighofen AUSTRIA; All rights reserved; Reprint, also in extracts, with written allowance of KTM Sportmotorcycle GmbH, Mattighofen only.

**FRONT FORK, TRIPLE CLAMP**



**4**

**FRONT FORK DISASSEMBLED**



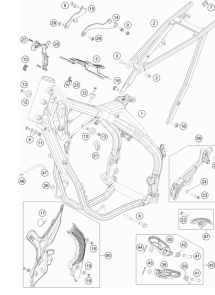
**5**

**HANDLEBAR, CONTROLS**



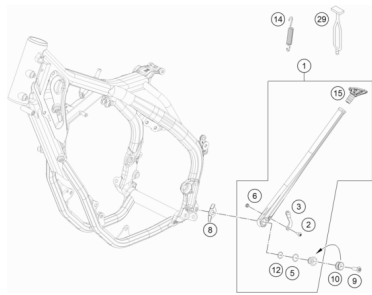
**7**

**FRAME**



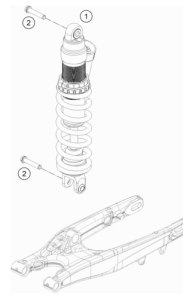
**8**

**SIDE / CENTER STAND**



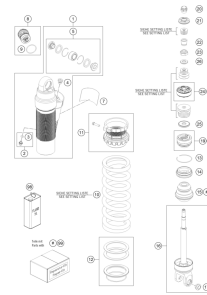
**10**

**SHOCK ABSORBER**



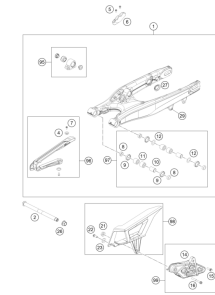
**11**

**SHOCK ABSORBER DISASSEMBLED**



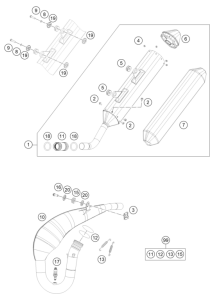
**12**

**SWING ARM**



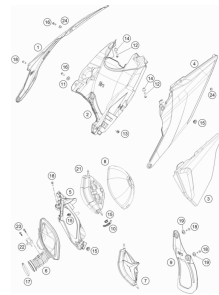
**13**

**EXHAUST SYSTEM**



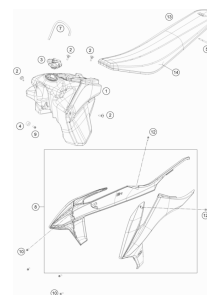
**14**

**AIR FILTER**



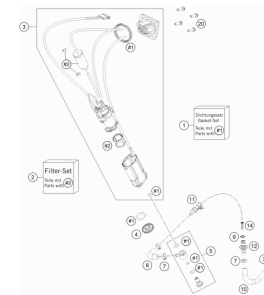
**15**

**TANK, SEAT**

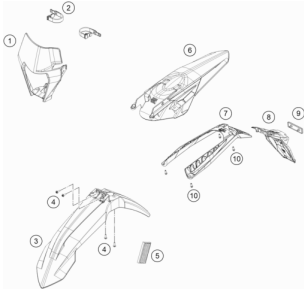
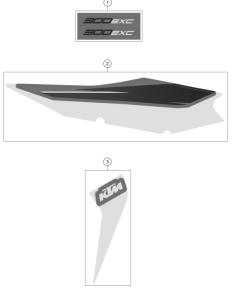
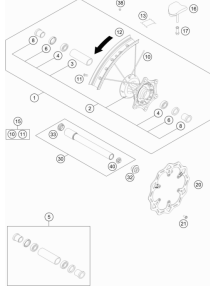
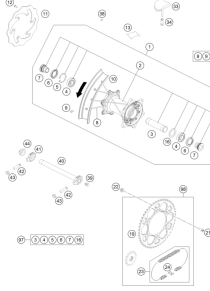
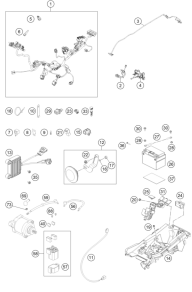
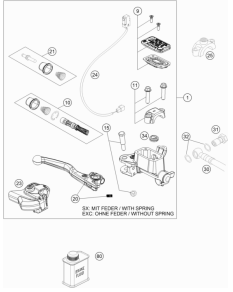
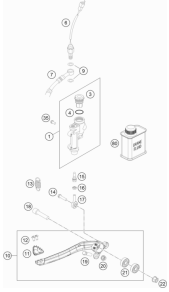
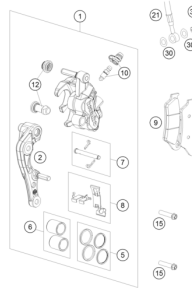
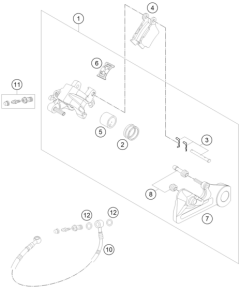
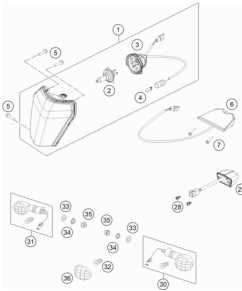
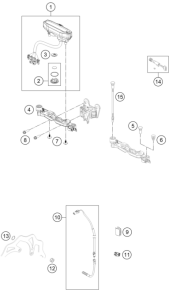
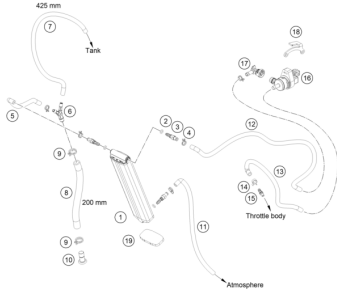


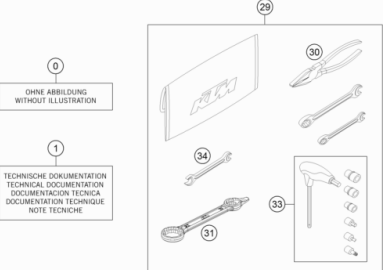

**16**

**FUEL PUMP**



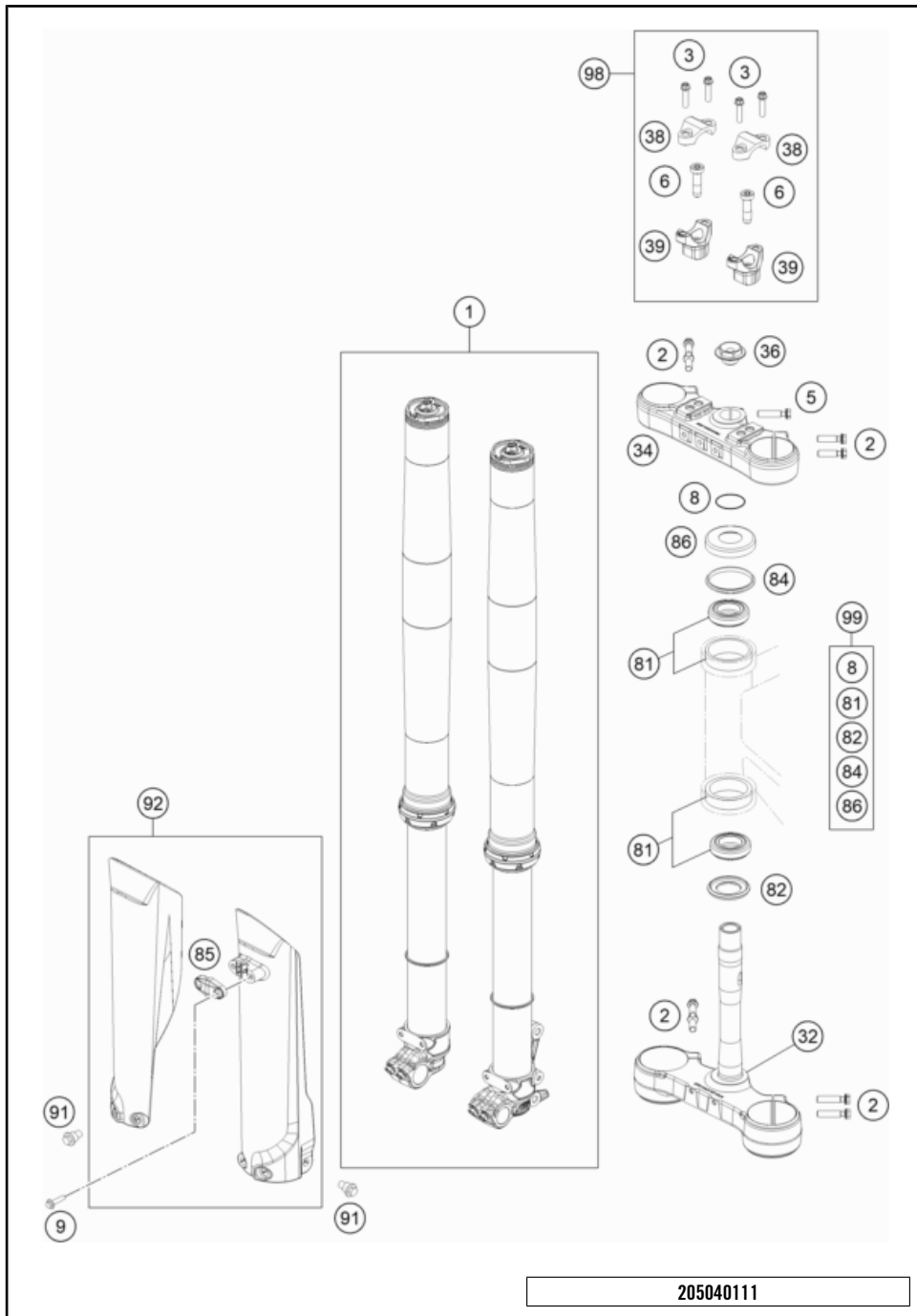
**17**

|   |  |  |   |
|---|--|--|---|
| <p><b>MASK, FENDERS</b></p>  <p><b>18</b></p>        | <p><b>DECAL</b></p>  <p><b>19</b></p>               | <p><b>FRONT WHEEL</b></p>  <p><b>20</b></p>                 | <p><b>REAR WHEEL</b></p>  <p><b>21</b></p>             |
| <p><b>WIRING HARNESS</b></p>  <p><b>22</b></p>       | <p><b>FRONT BRAKE CONTROL</b></p>  <p><b>24</b></p> | <p><b>REAR BRAKE CONTROL</b></p>  <p><b>25</b></p>          | <p><b>FRONT BRAKE CALIPER</b></p>  <p><b>26</b></p>    |
| <p><b>REAR BRAKE CALIPER</b></p>  <p><b>27</b></p> | <p><b>LIGHTING SYSTEM</b></p>  <p><b>28</b></p>   | <p><b>INSTRUMENTS / LOCK SYSTEM</b></p>  <p><b>29</b></p> | <p><b>EVAPORATIVE CANISTER</b></p>  <p><b>30</b></p> |

|  |  |  |  |
|--|--|--|--|
| <p><b>SEPERATE ENCLOSURE</b></p>  <p style="text-align: right;"><b>31</b></p> | <p><b>WP SHIMS FOR SETTING</b></p>  <p style="text-align: right;"><b>33</b></p> |  |  |
|  |  |  |  |
|  |  |  |  |

# FRONT FORK, TRIPLE CLAMP

300 EXC TPI 2022 EU 2022

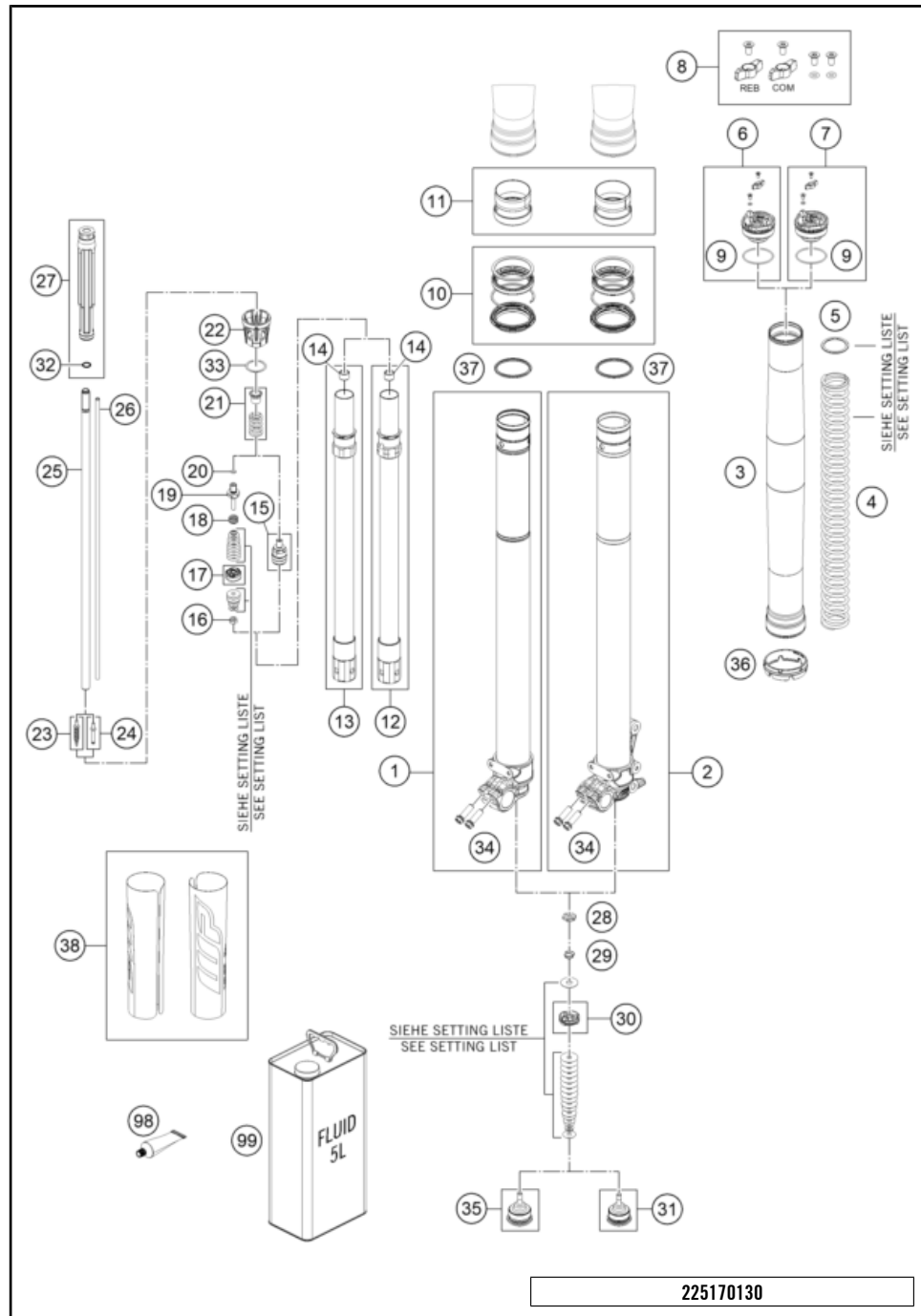


| POS | PARTNUMBER      | PARTNAME                              | PIECE |
|-----|-----------------|---------------------------------------|-------|
| 1   | 0797C164V401000 | Fork 250/300 EXC-F/EXC TPI Sixdays 22 | 1     |
| 2   | 0025080306      | HH collar screw M8x30                 | 8     |
| 3   | 0025080256      | HH collar screw M8x25                 | 4     |
| 5   | 0025080356      | HH collar screw M8x35 TX40            | 1     |
| 6   | 0032100356S     | AH-COLLAR SCREW M10X35 ISA45          | 2     |
| 8   | 0770025035      | O-RING 25X3,55 NBR70 05               | 1     |
| 9   | 0017060206      | SCREW F. PLASTIC K60X20AL SW6         | 2     |
| 32  | 78101132122     | BOTTOM TRIPLE CLAMP CPL.              | 1     |
| 34  | 78101034022     | TOP TRIPLE CLAMP X=22MM               | 1     |
| 36  | 72001036000     | COLLAR SCREW M20X1,5 WS17 AL          | 1     |
| 38  | 77201038000     | HANDLEBAR CLAMP 28MM                  | 2     |
| 39  | 59401039032     | HANDLEB.SUPP. D=28MM H=32MM 05        | x     |
| 39  | 59401039037     | HANDLEB.SUPP. D=28MM H=37MM 05        | 2     |
| 39  | 59401039042     | HANDLEB.SUPP. D=28MM H=42MM 05        | x     |
| 81  | 54201081100     | TAPERED ROLLER BEARING CPL. 06        | 2     |
| 82  | 77701084000     | O-RING SUPPORT W. SEALING LIP         | 1     |
| 84  | 54601184000     | STEERING HEAD GASKET TOP              | 1     |
| 85  | 77701085100EB   | CLAMP FOR BRAKEHOSE                   | 1     |
| 86  | 78101086000     | STEERING HEAD COVER                   | 1     |
| 91  | 59001092050     | SPECIAL SCREW M6X12,5 WS=8            | 6     |
| 92  | 77701094100EBO  | Fork protection kit EXC/XC-W 2022     | 1     |
| 98  | 00050000921     | HANDLEBAR SUPPORT KIT D28/H37         | x     |
| 99  | 00050000930     | STEERING HEAD REP. KIT 06-15          | x     |

205040111

56707

\* NEW PART X ON DEMAND

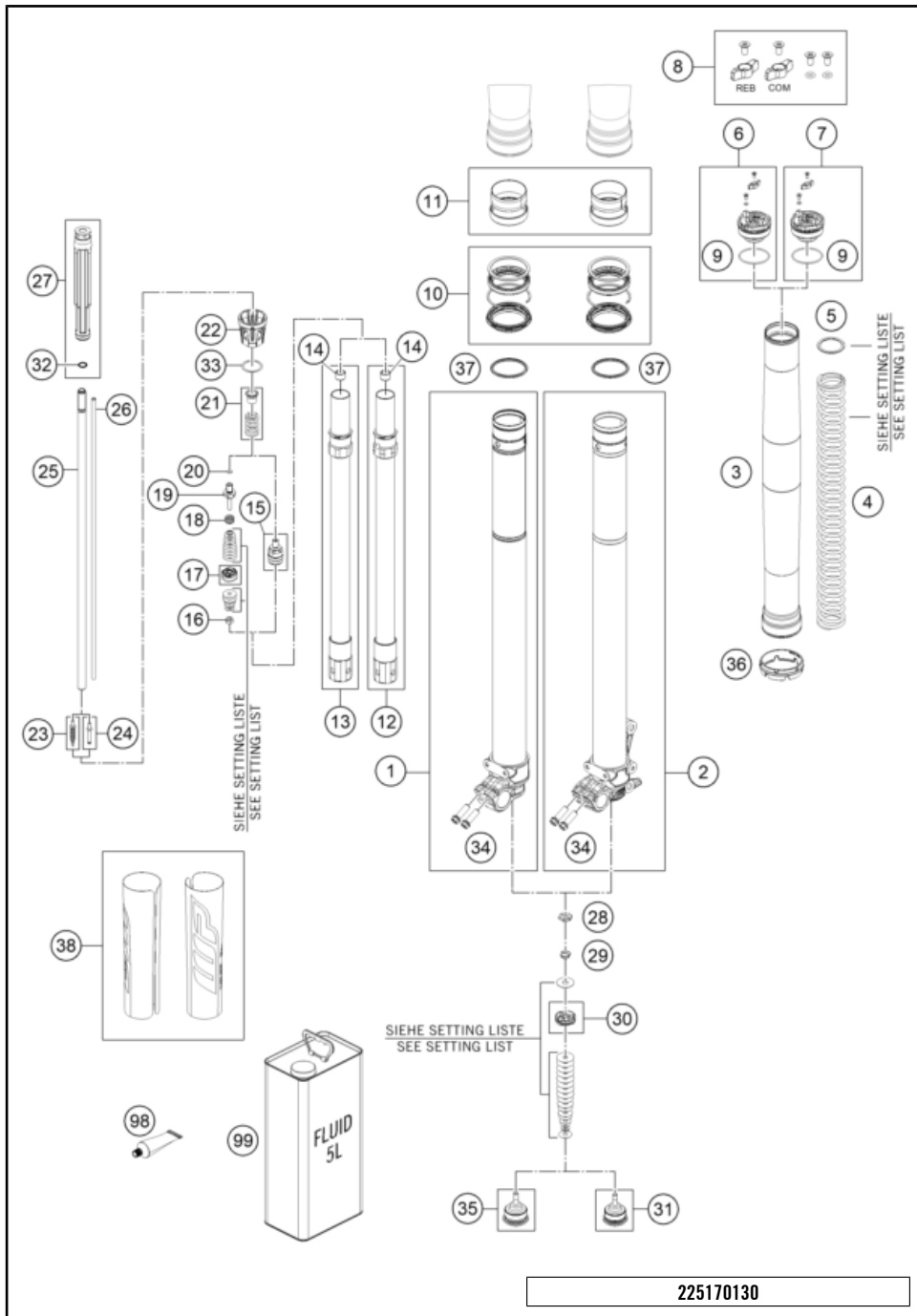


| POS | PARTNUMBER      | PARTNAME                               | PIECE |
|-----|-----------------|--|-------|
| 1   | 48601933S1      | Axleclamp OC right cpl. with tube      | 1     |
| 2   | 48601932S1      | Axleclamp OC left cpl. with tube       | 1     |
| 3   | 48602096        | fork outer tube 49.13x577 dt54 db60    | 2     |
| 4   | 91410098S       | Spring (43,8) 3,6-470                  | x     |
| 4   | 91410099S       | SPRING 3,8N/MM SET D=4,9MM             | x     |
| 4   | 91410100S       | SPRING 4,0N/MM SET D=4,9MM             | x     |
| 4   | 91410101S       | SPRING 4,2N/MM SET D=4,9MM             | x     |
| 4   | 91410102S       | SPRING 4,4N/MM SET D=4,9MM             | x     |
| 4   | 91410103S       | FORK SPRING L= 470 4,6 N/MM SET        | x     |
| 4   | 91410104S       | SPRING 4,8N/MM SET D=4,9MM             | x     |
| 4   | 91410105S       | SPRING 5,0N/MM SET D=4,9MM             | x     |
| 4   | 91410106S       | SPRING 5,2N/MM SET                     | x     |
| 5   | 48600456        | Washer 35x43x2,5 plastic               | x     |
| 5   | 48600457        | Preload bush 35x43x3,5                 | x     |
| 5   | 48600458        | Washer 35x43x1,5 plastic               | x     |
| 6   | 48602028S4      | screw cap M51x1,5 rebound cpl.         | 1     |
| 7   | 48602028S3      | screw cap M51x1,5 compression cpl.     | 1     |
| 8   | RP10021         | Adjuster kit screw cap                 | 1     |
| 9   | 48600048        | O-ring 46x2 NBR70 siliconized yellow   | 2     |
| 10  | RP10012T        | "Seal kit 48mm SKF black"              | 1     |
| 11  | R14047T         | Guide bushing set fork 48mm            | 1     |
| 12  | 48600763S7      | Tube, including screw sleeve with hole | 1     |
| 13  | 48600763S6      | Tube with screwsleeve                  | 1     |
| 14  | 48600430        | Guide bushing 12x14x10                 | 2     |
| 15  | 48601843S3      | Tap compression cpl.                   | 1     |
| 16  | 40540486        | Nut M6x0,5 h6,5 WAF10 rebound          | 1     |
| 17  | 48602002S       | Midvalve piston assembly d23           | 1     |
| 18  | 48600382        | Spring (11,4) 0,4-8 valve              | 1     |
| 19  | 48600576        | Tap 6x46 rebound                       | 1     |
| 20  | 48600299        | O-ring 6x1,2 NBR70                     | 1     |
| 21  | 48600578S       | Spring (13,9) 37-32 rebound cpl.       | 2     |
| 22  | 48601298        | Spring retainer 27,08x43x45            | 2     |
| 23  | 48600277S       | Needle 4,5x43,6 cpl.                   | 1     |
| 24  | 48601558S       | Needle 4,5x38,2 cpl.                   | 1     |
| 25  | 48600568        | Piston rod 12x554                      | 2     |
| 26  | 48602036        | Adjustment tube 6x524,6                | 2     |
| 27  | S228700003S0100 | Stop 12,4x31,9x200,3 cpl.              | 2     |
| 28  | 48600163        | Nut valve M6x0,5 h6,5 WAF17            | 2     |

225170130

56128

\* NEW PART      X ON DEMAND



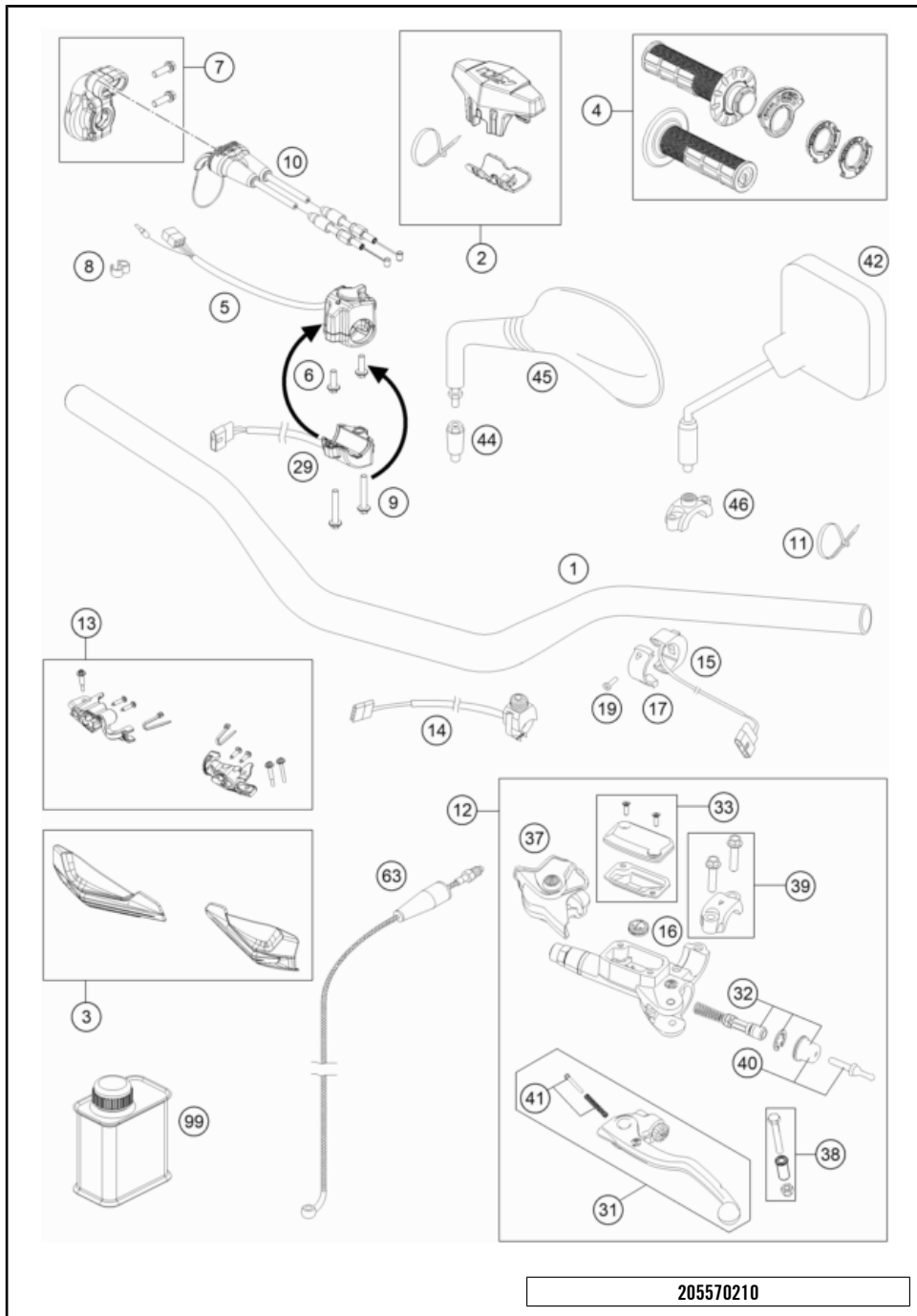
| POS | PARTNUMBER  | PARTNAME                         | PIECE |
|-----|-------------|----------------------------------|-------|
| 29  | 48600611    | Spring (10,2) l5 check valve     | 2     |
| 30  | 48601934S   | Piston 6x27,3x9 compression cpl. | 2     |
| 31  | 48601553S   | Screw cap M29,3x1 OC split cpl.  | 1     |
| 32  | 04500003    | O-ring 11x2,5 NBR70 PTFE yellow  | 2     |
| 33  | 48601702    | Shim 27,5x33x0,3                 | 2     |
| 34  | 0025080256  | HH collar screw M8x25            | 4     |
| 35  | 48601980S   | Screw cap M29,3x1                | 1     |
| 36  | 48601948    | Fork protection ring 60,1mm      | 2     |
| 37  | 48602007    | Stroke indicator 48mm red        | 2     |
| 38  | 52000238SET | Sticker set Xplor OC 238x182.5   | 1     |
| 98  | T14034      | Fuchs grease IPR (250g)          | 1     |
| 99  | 48601166S1  | Fork Fluid Viscosity 4.0 5L      | 1     |

225170130

56128

\* NEW PART X ON DEMAND





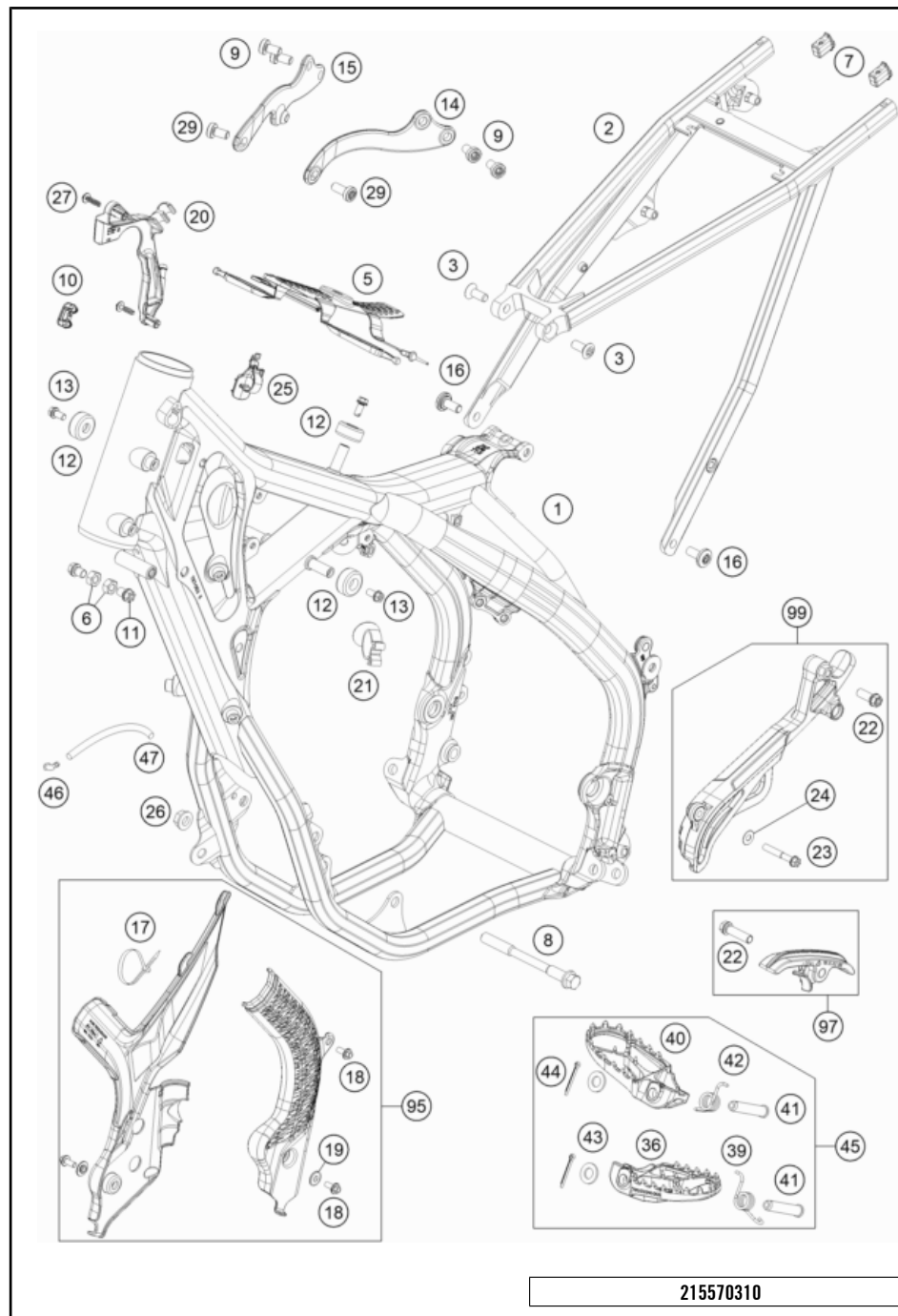
| POS | PARTNUMBER    | PARTNAME                     | PIECE |
|-----|---------------|------------------------------|-------|
| 1   | 7800200100030 | HANDLEBAR                    | 1     |
| 2   | 77202002144   | BAR PAD CPL.                 | 1     |
| 3   | 79602182044EB | Handguard                    | 1     |
| 4   | 79002021100   | GRIP SET                     | 1     |
| 5   | 78111070000   | LIGHT SWITCH                 | 1     |
| 6   | 0014050163    | HH COLLAR SCREW M 5X16 WS=6  | 2     |
| 7   | 79002010125   | Throttle control casing cpl. | 1     |
| 8   | 83013026000   | CABLE GUIDE                  | 2     |
| 9   | 0014050303    | HH COLLAR SCREW M5X30 SW=6   | 2     |
| 10  | 55702091000   | throttle cable cpl. 2T DI    | 1     |
| 11  | 44011076200   | CABLE TIE 200/3,6MM BLACK    | 1     |
| 12  | 79202030044   | MASTER CYLINDER CPL.         | 1     |
| 13  | 79602084044   | Handguard assembly kit       | 1     |
| 14  | 78111074000   | STARTER BUTTON GREY 13       | 1     |
| 15  | 50311074000   | ENGINE STOP SWITCH CEV       | 1     |
| 16  | 54802051000   | VALVE                        | 1     |
| 17  | 50311074050   | CLAMP ENGINE STOP SWITCH     | 1     |
| 19  | 0912040203    | AH SCREW DIN 912-M 4X20      | 2     |
| 29  | 78111029000   | FLASHER SWITCH               | 1     |
| 31  | 54802031000   | CLUTCH LEVER CPL. BREMBO 06  | 1     |
| 32  | 79202032044   | REP. KIT PISTON 9MM          | 1     |
| 33  | 5480200310030 | COVER HYD. CLUTCH CPL. 2014  | 1     |
| 37  | 54802037000   | PROTECTION CAP 06            | 1     |
| 38  | 54802038100   | LEVER SCREW CPL. 06          | 1     |
| 39  | 54802005100   | CLAMP CPL. 06                | 1     |
| 40  | 54802046000   | PUSH ROD CPL.                | 1     |
| 41  | 54802052000   | BOLT KPL.                    | 1     |
| 42  | 58012040000   | REAR MIRROR L/S              | 1     |
| 42  | 58012140000   | REAR MIRROR R/S              | 1     |
| 44  | 58412040050   | SUPPORT FOR MIRROR LC4 '98   | 2     |
| 45  | 58412040000   | MIRROR L/S 98                | x     |
| 45  | 58412041000   | MIRROR R/S 98                | x     |
| 46  | 58012040150   | CLAMP FOR MIRROR '94         | 2     |
| 63  | 79232063000   | CLUTCH PIPE                  | 1     |
| 99  | 00062030000   | BRAKE FLUID DOT5.1 0,25L     | 1     |

205570210

54517

\* NEW PART

X ON DEMAND



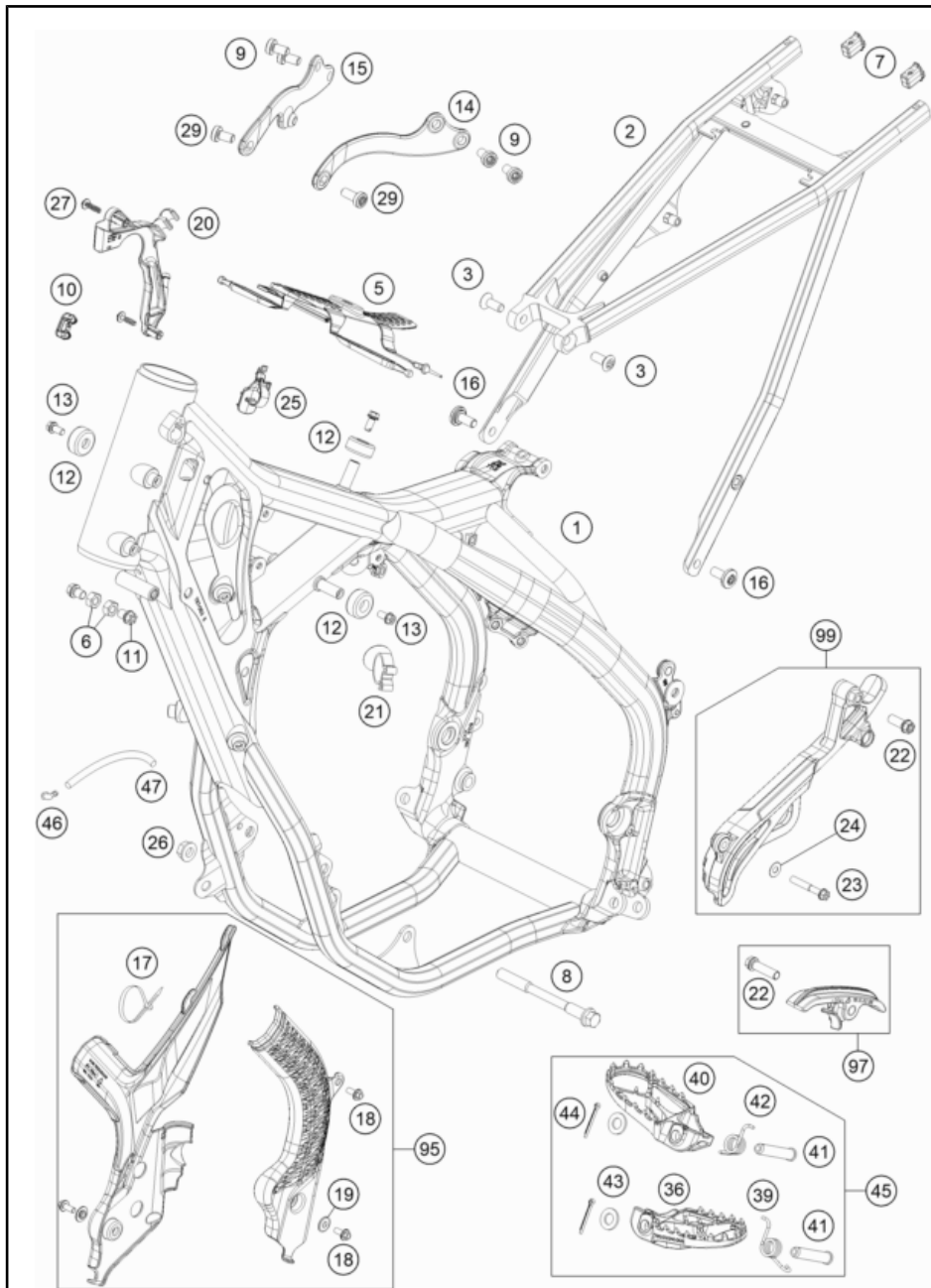
215570310

| POS | PARTNUMBER     | PARTNAME                          | PIECE |
|-----|----------------|-----------------------------------|-------|
| 1   | 5570310110033  | Frame 557T1                       | 1     |
| 2   | 79103002100    | Subframe                          | 1     |
| 3   | 0019080206S    | FLAT HEAD SCREW M. ISA45 M8X20    | 2     |
| 5   | 79607012000    | TANK REST RUBBER                  | 1     |
| 6   | 0934080003     | HEXAGON NUT DIN0934-M 8           | 2     |
| 7   | 79103002010    | Rear frame bit                    | 2     |
| 8   | 77203014000    | engine brac.scr. M10x115          | 2     |
| 9   | 0035080156S    | AH-COLLAR SCREW M8X15 TORX45      | 4     |
| 10  | 79111013010    | Cover control head sheet          | 1     |
| 11  | 59001037000    | SPECIAL SCREW M8X26 WS=10         | 2     |
| 12  | 50307014000    | TANK ROLLER 12X26X12 '98          | 3     |
| 13  | 0026060136     | COLLAR SCREW M6X13 ISA30          | 3     |
| 14  | 5570301300001S | Engine brace, left 250/300 TPI    | 1     |
| 15  | 5570301400001S | Engine brace, right 250/300 TPI   | 1     |
| 16  | 79003003000    | SPECIAL SCREW M8X18 TORX45 SS     | 2     |
| 17  | 44011076305    | CABLE TIE 300/4,8MM BLACK         | x     |
| 17  | 44011176140    | KABELBAND 140/3,5 MM SCHWARZ      | x     |
| 18  | 0025050106     | HH collar screw M5x10 TX30        | 3     |
| 19  | 54803092060    | BUSH F. FRAME PROTECTION 03       | 2     |
| 20  | 79711013000    | Cable holder throttle cable guide | 1     |
| 21  | 79711013010    | Cable bracket d8                  | 1     |
| 22  | 0025080306     | HH collar screw M8x30             | 2     |
| 23  | 0025060406     | HH collar screw M6x40 TX30        | 1     |
| 24  | 0125060003     | WASHER DIN0125-A 6,4              | 1     |
| 25  | 79111093000    | wire holder le 19                 | 1     |
| 26  | 54310086100    | SELF LOCKING NUT M10 CU WS=14     | 2     |
| 27  | 0081050181     | SCREW FOR PLASTIC K50X18 T20      | 2     |
| 29  | 0035080206S    | SHCS M8x20 TX45                   | 2     |
| 36  | 79603040000    | FOOTREST L/S EXC 2017             | 1     |
| 39  | 79003045000    | FOOTREST SPRING L/S 2016          | 1     |
| 40  | 79603041000    | FOOTREST R/S EXC 2017             | 1     |
| 41  | 54803044000    | PIN FOR FOOT PED 51.5X9.8 MM      | 2     |
| 42  | 79003044000    | FOOTREST SPRING R/S 2016          | 1     |
| 43  | 0125100003     | washer DIN 125 A 10.5             | 2     |
| 44  | 0094032253     | PIN DIN0094-3,2X25 STEEL          | 2     |
| 45  | 79603040033    | FOOTREST-SET                      | 1     |
| 46  | 50303089000    | ANGLE PIECE '97                   | 1     |
| 47  | 50430087000    | preformed hose 6x10 ECO           | 1     |

54545

\* NEW PART

X ON DEMAND



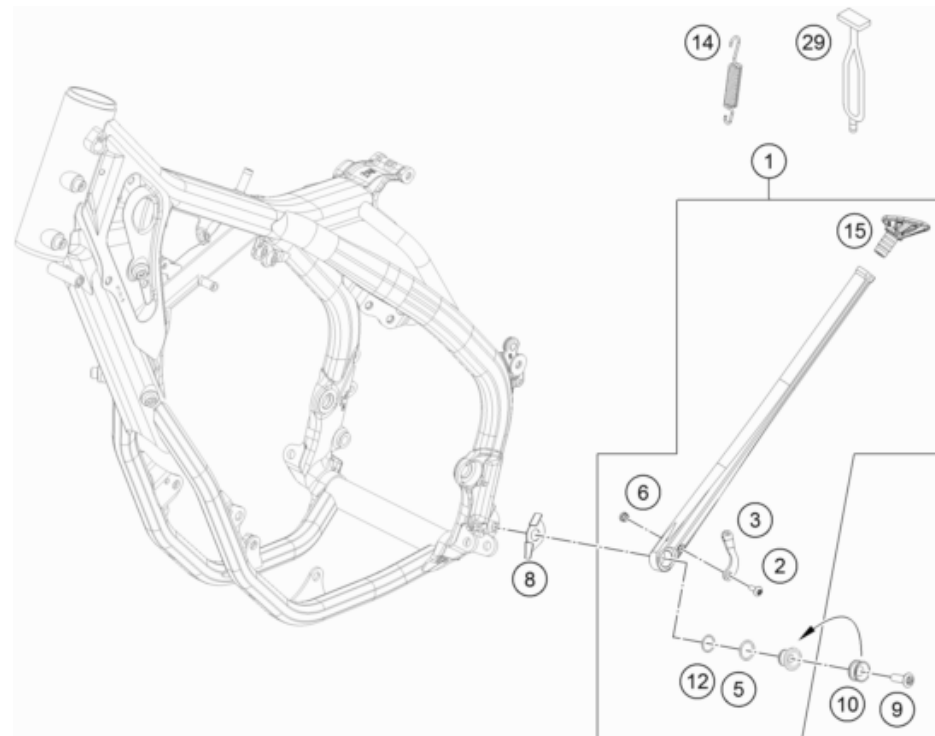
| POS | PARTNUMBER    | PARTNAME                       | PIECE |
|-----|---------------|--------------------------------|-------|
| 95  | 7910309410030 | Frame protection set           | 1     |
| 97  | 79003053010   | CHAIN SLIDING KIT BELOW CPL.16 | 1     |
| 99  | 55403096010   | SPROCKET COVER KIT             | 1     |

215570310

54545

\* NEW PART

X ON DEMAND



| POS | PARTNUMBER  | PARTNAME                       | PIECE |
|-----|-------------|--------------------------------|-------|
| 1   | 79003023044 | SIDE STAND CPL. EXC 16         | 1     |
| 2   | 58605083014 | SCREW M5X14 TORX 25 07         | 1     |
| 3   | 79003023090 | SPRING BRACKET EXC 16          | 1     |
| 5   | 0770180020  | o-ring 18.00x2.00 NBR70        | 1     |
| 6   | 78003023070 | SPACER BUSH. SPRING BRACKET    | 1     |
| 8   | 79003023050 | SIDE STAND STOP PLATE          | 1     |
| 9   | 0019080266S | COUNTER-SUNK SCREW ISA45 M8X26 | 1     |
| 10  | 78003023081 | SIDE STAND BUSHING EXC-EU 08   | 1     |
| 12  | 0770125015  | O-RING 12,5X1,5 NBR            | 1     |
| 14  | 79003024000 | SIDESTAND SPRING EXC 16        | 1     |
| 15  | 78003023155 | STAND BASE                     | 1     |
| 29  | 50303018000 | RUBBER L=145MM                 | 1     |

187960360

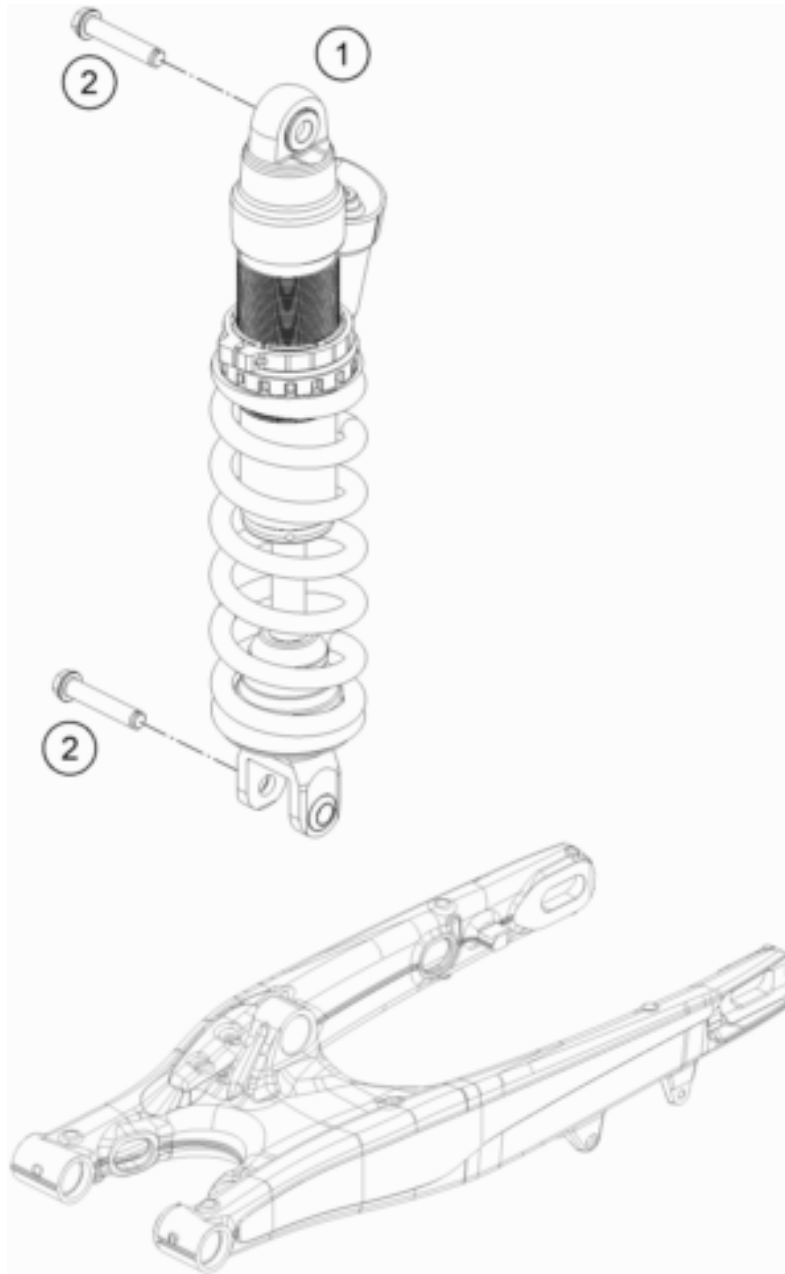
49783

\* NEW PART

X ON DEMAND

# SHOCK ABSORBER

300 EXC TPI 2022 EU 2022



| POS | PARTNUMBER      | PARTNAME                            | PIECE |
|-----|-----------------|-------------------------------------|-------|
| 1   | 0797C463V305000 | Shock 250/300 EXC-F/EXC/XC-W TPI 22 | 1     |
| 2   | 0025120506S     | HH COLLAR SCREW M12X50 TX45         | 2     |

197960410

56708

\* NEW PART

X ON DEMAND

Exploded view diagram of a shock absorber. The diagram shows the main shock absorber body (1) and its various internal components. Key parts include the top cap (8), O-rings (9), ball joint bearing kit (5), HS cylinder-head screw (4), sticker (7), compression PDS cap (20), O-ring (21), Viton O-ring (98), main springs (10), plastic spring retainers (11), spring cup set (12), round-wire snap ring (13), cover (14), rubber pad (15), threaded bush (16), sealholder (19), nut (20), piston (21), bush (22), piston rod nut (23), piston (24), rebound disc (25), washer (26), and a repair kit (99). The diagram also shows a fluid reservoir (98) and a repair kit (99) with the text 'Teile mit Parts with # 99'. The diagram is labeled with 'SIEHE SETTING LISTE SEE SETTING LIST' in several places.

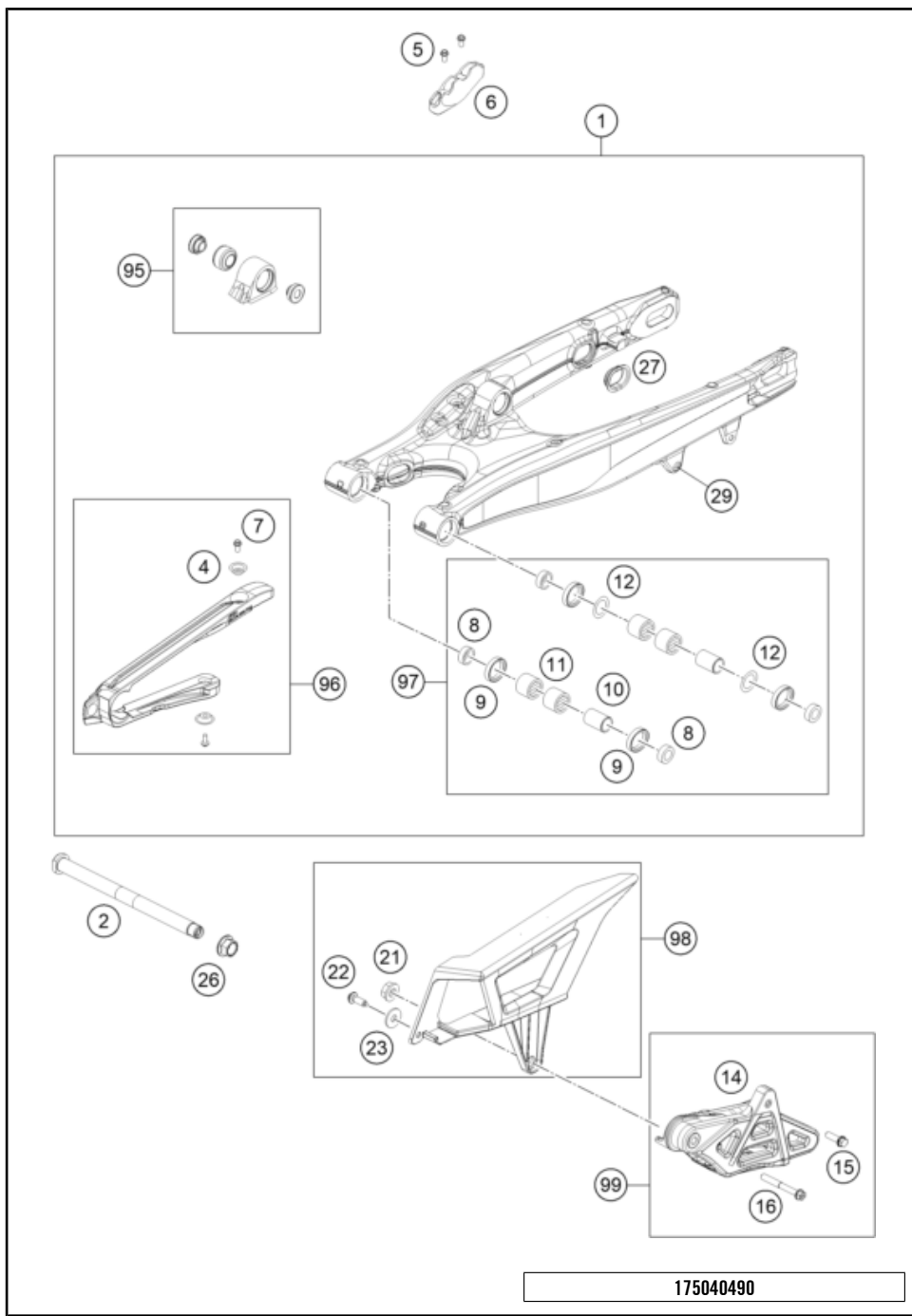
| POS | PARTNUMBER      | PARTNAME                                 | PIECE |
|-----|-----------------|--|-------|
| 1   | 46181242S4      | shock housing M53x1 h56 cpl.             | 1     |
| 2   | 36120151S       | PLUG SCREW M5X6 CPL.                     | 1     |
| 3   | 46810893        | O-ring 5,28x1,78 NBR70 black             | 1     |
| 4   | 50180095        | HS cylinder-head screw R1/8 I8           | 1     |
| 5   | RP10011         | Ball joint bearing kit 12mm              | 1     |
| 7   | 52000233        | Sticker XPLOR PDS 90x40                  | 1     |
| 8   | 50181101S56     | Compression PDS cpl. 2020                | 1     |
| 9   | 50180217        | O-ring 27x1,5 Viton70 green ISO 3601-3S  | 1     |
| 10  | 91010353        | Mainspring (59/61) 54-57-60-225 damp. w. | x     |
| 10  | 91010348        | Mainspring (59/61) 57-60-63-225 damp. w. | x     |
| 10  | 91010349        | Mainspring (59/61) 60-63-66-225 damp. w. | x     |
| 10  | 91010350        | Mainspring (59/61) 63-66-69-225 damp. w. | x     |
| 10  | 91010351        | Mainspring (59/61) 66-69-72-225 damp. w. | x     |
| 10  | 91010352        | Mainspring (59/61) 69-72-76-225 damp. w. | x     |
| 11  | 46181382S       | Plastic Spring Retainer D46 cpl.         | 1     |
| 12  | RP10005         | SPRING CUP SET PDS 17                    | 1     |
| 13  | 46810010        | Round-wire snap ring 49x1,8              | 1     |
| 14  | 46181351        | Cover 46,12x15 h5,5 red                  | 1     |
| 15  | 46181237        | Rubber pad 17x48x55                      | 1     |
| 16  | 46181236S1      | MONOSHOCK LOWER PART CPL.                | 1     |
| 17  | 50180105        | Threaded bush M12 d20                    | 1     |
| 19  | 46180669S       | Sealholder 46x28 cpl.                    | 1     |
| 20  | 46181659S       | Nut PDS M10x1 h17,2 WAF19 cpl.           | 1     |
| 21  | 46181416        | Piston 15,4x35,4x6                       | 1     |
| 22  | S26100000000000 | Bush 10x17x19                            | 1     |
| 23  | 46810474        | Piston rod nut M12x1                     | 1     |
| 24  | 46181328S       | Piston 12x46x20 cpl.                     | 1     |
| 25  | 46181194        | Rebound disc 12x36x4 h0                  | 1     |
| 26  | 46811258        | Washer 12x24x2,5                         | 1     |
| 98  | 50180751S1      | SHOCK ABSORBER FLUID 5 LT                | x     |
| 99  | RP10020         | Repairing kit shock absorber PDS 19      | 1     |

225170430

56132

\* NEW PART

X ON DEMAND



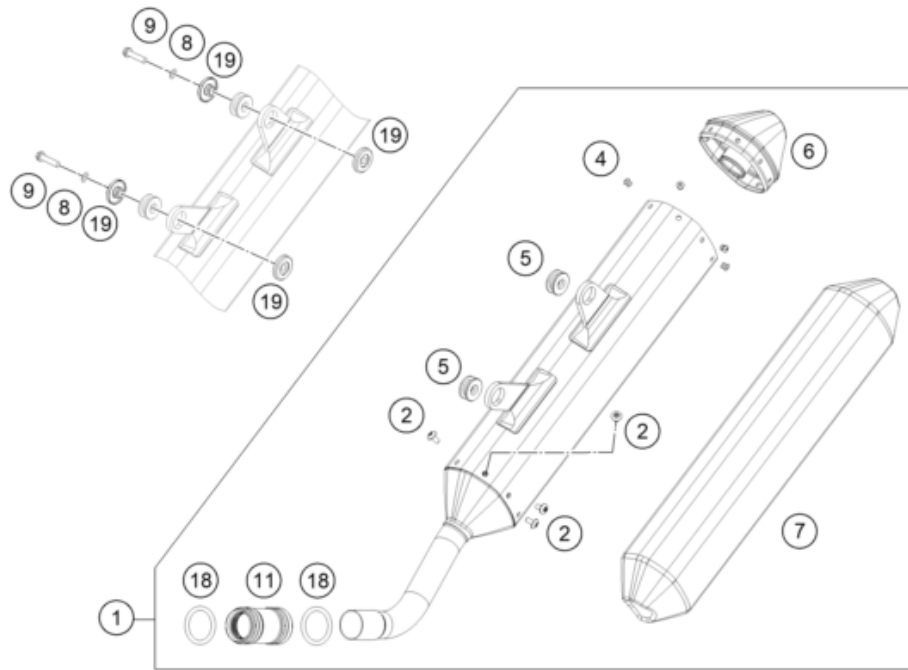
175040490

| POS | PARTNUMBER  | PARTNAME                       | PIECE |
|-----|-------------|--------------------------------|-------|
| 1   | 79604030044 | SWING ARM CPL. PDS 2017        | 1     |
| 2   | 79004037000 | SWING ARM M16X1,5 2016         | 1     |
| 4   | 77304066050 | chain slider bushing           | 2     |
| 5   | 0009050106  | EJOT SPIRAL SCREW SF M5X10-K   | 2     |
| 6   | 77313047000 | BRAKE HOSE GUIDE LOWER 07      | 1     |
| 7   | 59009062013 | SPECIAL SCREW M6X13 WS=8 10.9  | 2     |
| 8   | 77704034000 | SUPPORT F. SHAFT SEAL RING 16  | 4     |
| 9   | 0760253270  | radial shaft seal 25x32x7      | 4     |
| 10  | 59404032000 | BEARING SLEEVE 17X22X38,7 03   | 2     |
| 11  | 0618222812  | NEEDLEBEAR HK2212V 22/28/12 MB | 4     |
| 12  | 54603036000 | STOP DISK 22,2X31,7X1          | 2     |
| 14  | 78104070100 | CHAIN GUIDE EXC                | 1     |
| 15  | 59009062019 | SPECIAL SCREW M6X19 WS=8 10.9  | 1     |
| 16  | 0025060506  | HH collar screw M6x50 TX30     | 1     |
| 21  | 56509064100 | SELF LOCKING NUT M6 10.9       | 1     |
| 22  | 0017060205  | SCREW FOR PLASTIC K60X20 SW6   | 1     |
| 23  | 0021060003  | WASHER DIN9021-A 6,4           | 1     |
| 26  | 54804038000 | SELF LOCK.NUT M16X1,5 WS=19 03 | 1     |
| 27  | 77204041000 | CLOSING COVER                  | 4     |
| 29  | 54603055051 | PRESS IN NUT M6 STEEL ZINC     | 1     |
| 95  | 79604090044 | PIVOT BEARING+BUSH. PDS '17    | 1     |
| 96  | 51504066044 | CHAIN SLIDING GUARD KIT 11-15  | 1     |
| 97  | 79004030110 | Repair kit swingarm bearing    | x     |
| 98  | 78104060010 | CHAIN PROTECTION KIT EXC 12-14 | x     |
| 99  | 78104070010 | CHAIN GUIDE KIT EXC 14-15      | x     |

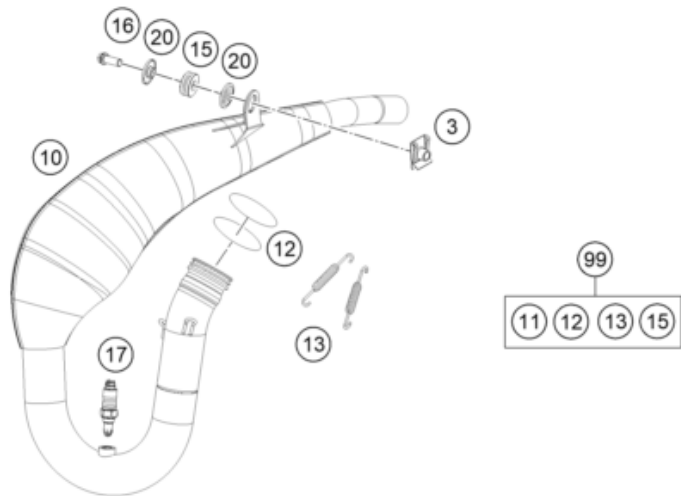
54626

\* NEW PART

X ON DEMAND



| POS | PARTNUMBER  | PARTNAME                      | PIECE |
|-----|-------------|-------------------------------|-------|
| 1   | 55505083100 | Silencer EXC                  | 1     |
| 2   | 78105081010 | SCREW TORX M5X10              | 7     |
| 3   | 54603048000 | RANGE CHANGE METAL NUT M8     | 1     |
| 4   | 0011480800  | DUMMY RIVET 4,8X 8 NIRO       | 7     |
| 5   | 77205068000 | DAMP. COMPON. BLACK           | 2     |
| 6   | 55505083060 | end cap cpl.                  | 1     |
| 7   | 55505083085 | stuffingyarn package          | 1     |
| 8   | 50233041000 | PAIR OF WASHERS M 6 NORDLOCK  | 2     |
| 9   | 0025060306  | HH collar screw M6x30 TX30    | 2     |
| 10  | 55705109000 | exhaust manifold with KAT     | 1     |
| 11  | 55405057000 | exhaust rubber                | 1     |
| 12  | 0770440030  | O-RING 44,00X3,00 VITON       | 2     |
| 13  | 50305016000 | TEN.SPRING L=62MM EY.MOVEABLE | 2     |
| 15  | 79105068000 | Damper gray                   | 1     |
| 16  | 0025080306  | HH collar screw M8x30         | 1     |
| 17  | 75041090200 | LAMBDA SENSOR                 | 1     |
| 18  | 55405058000 | hose spring                   | 2     |
| 19  | 77205169000 | BUSHING 7.5x12x28x8.3 11      | 4     |
| 20  | 77805069000 | BUSHING 8.5x12x28x8.3         | 2     |
| 99  | 00050000811 | EXHAUST HARDWARE KIT 11-14    | x     |



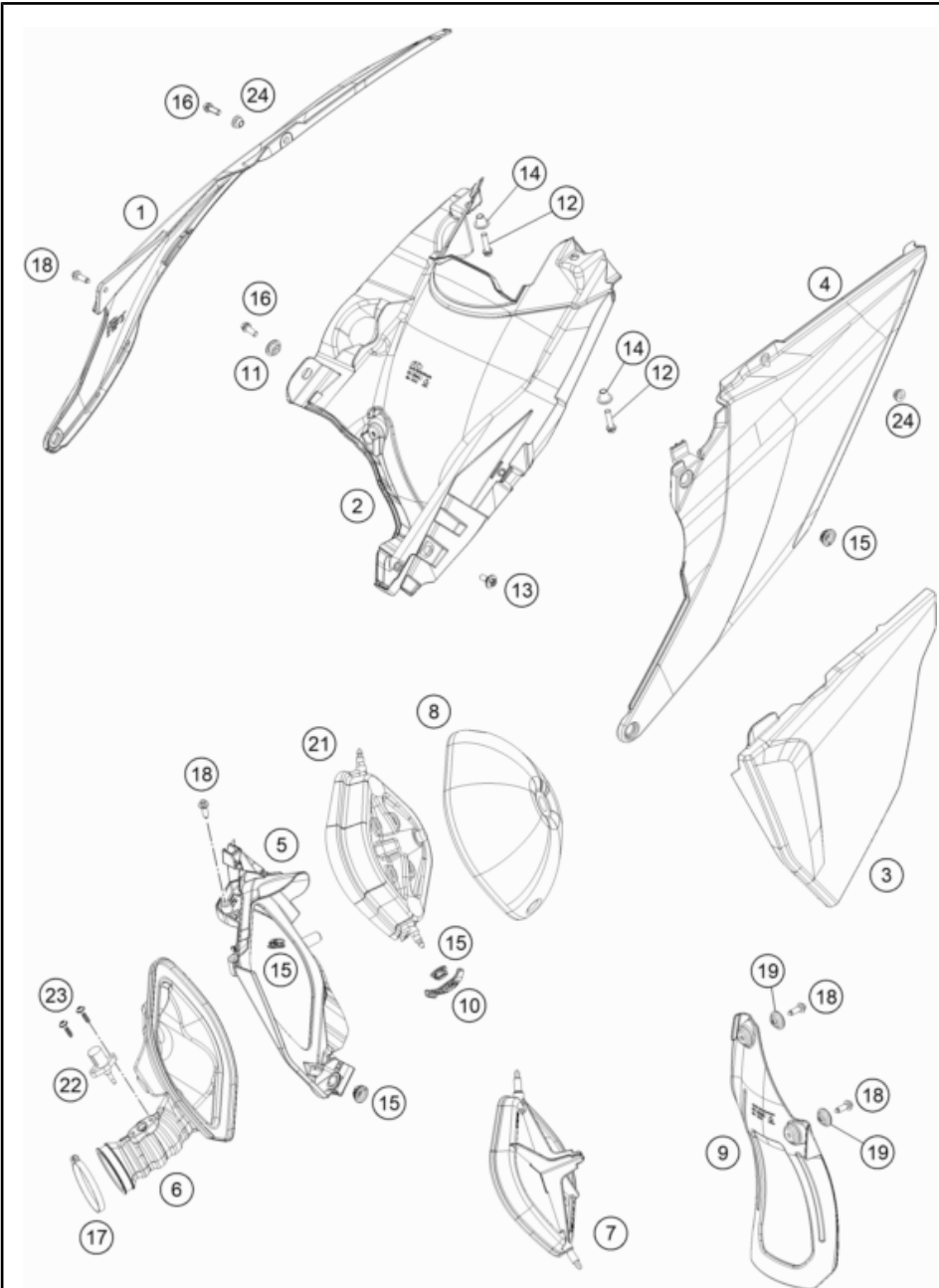
205570510

56713

\* NEW PART

X ON DEMAND





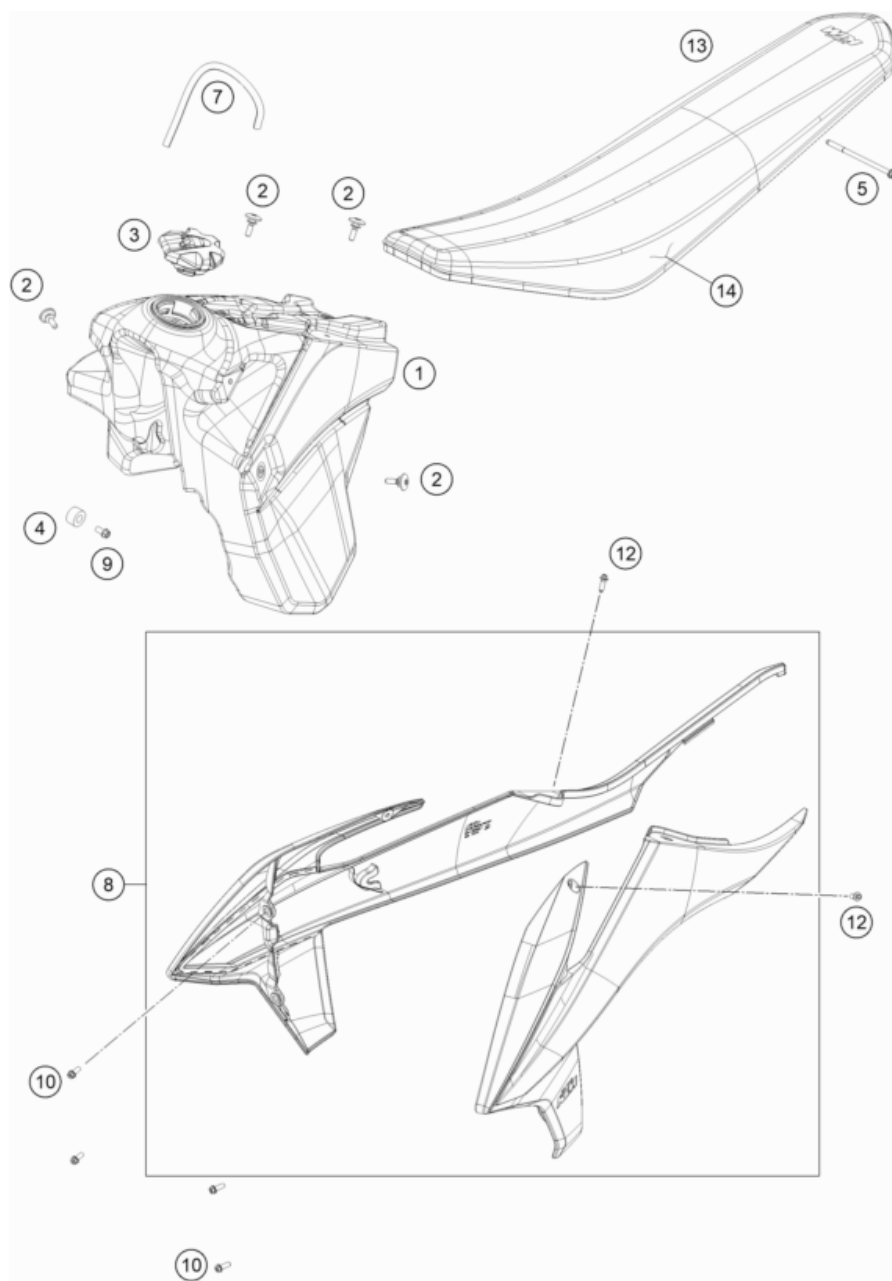
205570610

| POS | PARTNUMBER     | PARTNAME                             | PIECE |
|-----|----------------|--------------------------------------|-------|
| 1   | 79106004000EB  | Air filter panel                     | 1     |
| 2   | 79106001000EB  | AIR FILTER BOX bottom part           | 1     |
| 3   | 79106003000EBB | Air filter box cover left with decal | 1     |
| 4   | 79106005000EBB | Air filter cover left with decal     | 1     |
| 5   | 79106001010EB  | AIR FILTER BOX front part            | 1     |
| 6   | 55706026000    | air boot                             | 1     |
| 7   | 50406016000    | AIR FILTER SUPPORT                   | 1     |
| 8   | 79006015000    | AIR FILTER                           | 1     |
| 9   | 79006010000    | SPLASH GUARD                         | 1     |
| 10  | 79006017000    | FILTER MOUNTING BRACKET              | 1     |
| 11  | 77308013010    | COLLAR BUSH. F.REAR FENDER 07        | 3     |
| 12  | 0025060256     | HH collar screw M6x25 TX30           | 2     |
| 13  | 83008000015    | SPECIAL SCREW M6X15X3                | 1     |
| 14  | 79103002020    | Subframe bush                        | 2     |
| 15  | 47106003160    | quick release rubber grommet         | 5     |
| 16  | 0025060166     | HH collar screw M6x16 TX30           | 1     |
| 17  | 78006027000    | HOSE CLAMP 45-65MM                   | 1     |
| 18  | 0017060206     | SCREW F. PLASTIC K60X20AL SW6        | 4     |
| 19  | 77304066150    | Chain slider bushing                 | 2     |
| 21  | 50406012040    | THROTTLE CAP                         | 1     |
| 22  | 61041080000    | AMBIENT-AIR TEMPERATURE SENSOR       | 1     |
| 23  | 0081050181     | SCREW FOR PLASTIC K50X18 T20         | 2     |
| 24  | 79106004050    | Buchse 6,1x8,1x8                     | 2     |

56709

\* NEW PART

X ON DEMAND



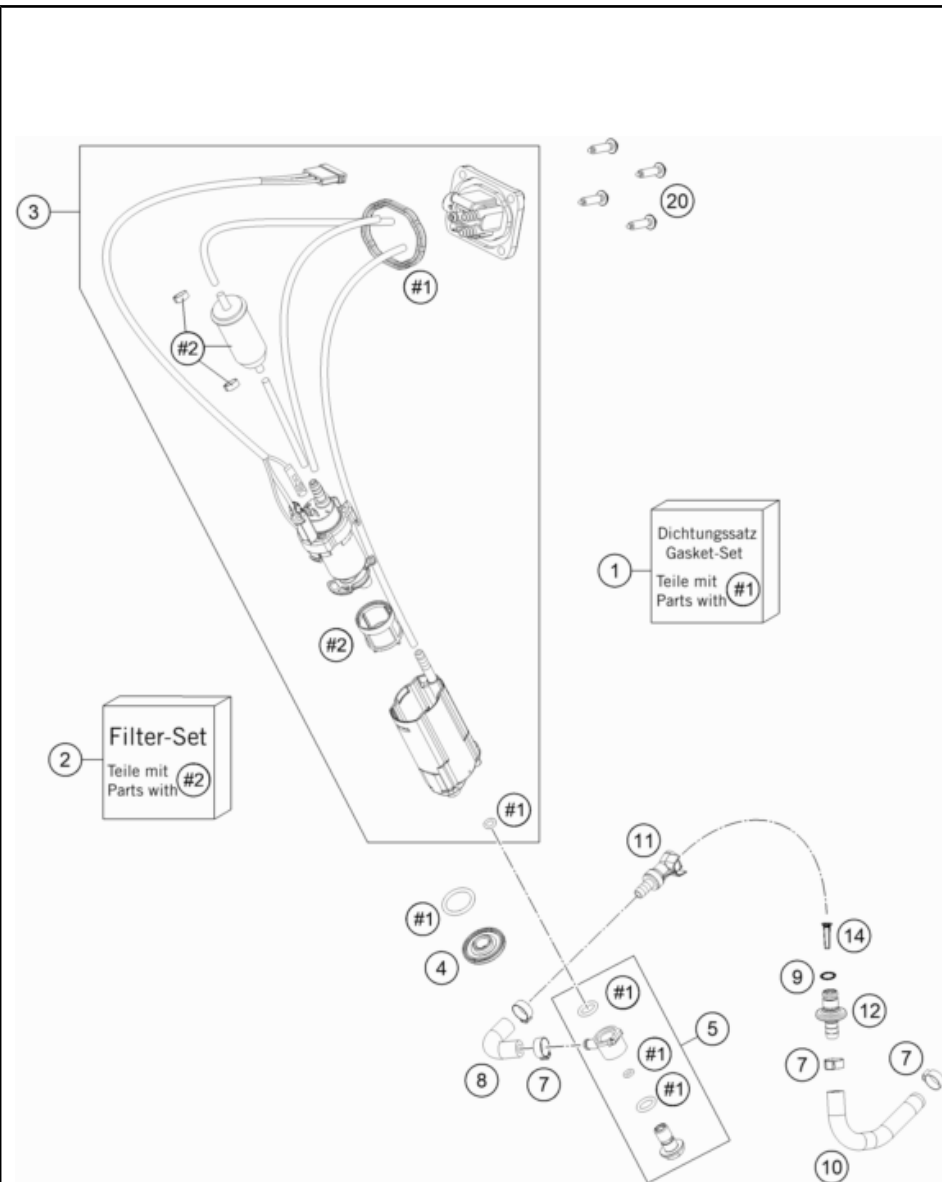
| POS | PARTNUMBER     | PARTNAME                             | PIECE |
|-----|----------------|--------------------------------------|-------|
| 1   | 5570701300099  | fuel tank                            | 1     |
| 2   | 79107011000    | Seat holder screw                    | 4     |
| 3   | 78107008044X4  | TANK PLUG CPL. 14                    | 1     |
| 4   | 50307014000    | TANK ROLLER 12X26X12 '98             | 3     |
| 5   | 79107040010    | Seat screw                           | 1     |
| 7   | 78015019425    | hose EPA d=6/10 l=425                | 1     |
| 8   | 79108054000HDA | Spoiler set EXC/XC-W 2022 with decal | 1     |
| 9   | 0026060136     | COLLAR SCREW M6X13 ISA30             | 3     |
| 10  | 0025060166     | HH collar screw M6x16 TX30           | 4     |
| 12  | 0017060206     | SCREW F. PLASTIC K60X20AL SW6        | 2     |
| 13  | 79707040100    | Seat                                 | 1     |
| 14  | 79707040150    | Seat cover                           | 1     |

205570710

56710

\* NEW PART

X ON DEMAND



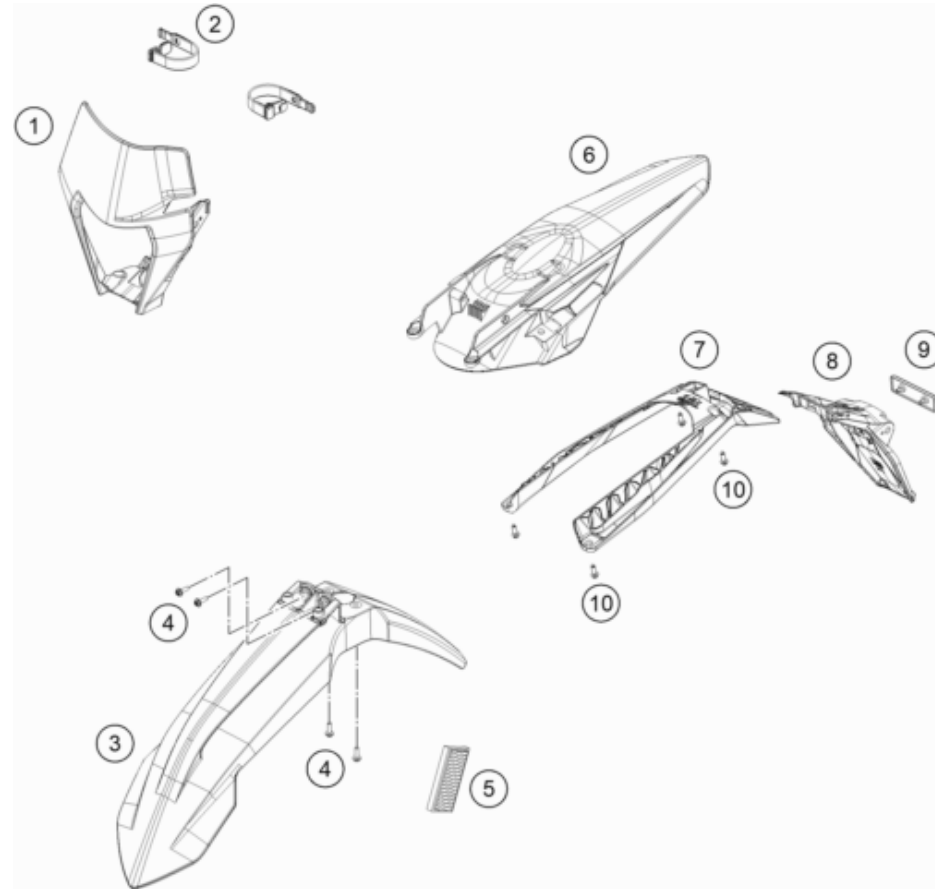
| POS | PARTNUMBER    | PARTNAME                      | PIECE |
|-----|---------------|-------------------------------|-------|
| 1   | 78107089100   | GASKET KIT                    | 1     |
| 2   | 81207090100   | FILTER KIT                    | 1     |
| 3   | 79707088100   | Fuel pump                     | 1     |
| 4   | 78107088014   | NUT F. FUEL PUMP M12          | 1     |
| 5   | 55707090044   | Fuel connection cmpl.         | 1     |
| 7   | 00050157706   | VARIABLE ONE-EAR CLAMP 15,7MM | 4     |
| 8   | 77407116000   | FUEL HOSE TANK                | 1     |
| 9   | 58507012000   | O-RING VITON F. PLUG CPC 05   | 1     |
| 10  | 55441020000   | TPI supply hose               | 1     |
| 11  | 5850701050030 | CLUTCH CPC BLACK 05           | 1     |
| 12  | 77707010000   | CONNECTOR FUEL PUMP           | 1     |
| 14  | 78141013190   | FUEL FILTER                   | 1     |
| 20  | 0017060255    | EJOT PT SCREW K60X25-Z SW6    | 4     |

205570730

52695

\* NEW PART

X ON DEMAND



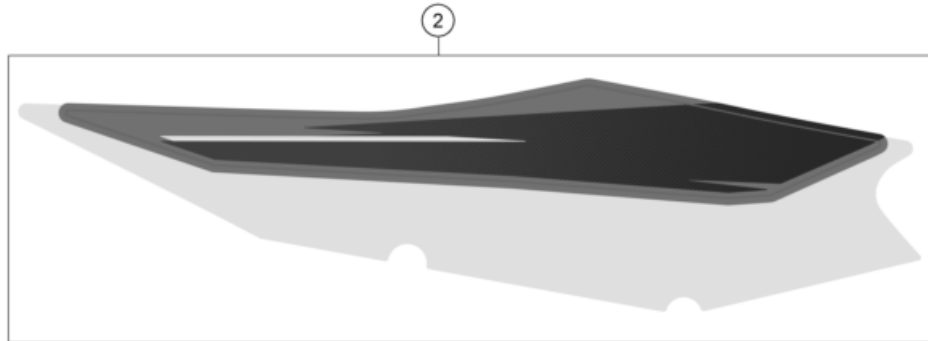
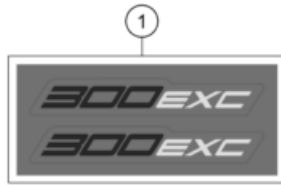
| POS | PARTNUMBER    | PARTNAME                       | PIECE |
|-----|---------------|--------------------------------|-------|
| 1   | 79708001000EB | Headlight shroud               | 1     |
| 2   | 78108003000   | MASK RUBBER                    | 2     |
| 3   | 79008010000EB | FRONT FENDER ORANGE 15         | 1     |
| 4   | 0025060166    | HH collar screw M6x16 TX30     | 4     |
| 5   | 58412080300   | REFLECTOR YELLOW "CEV"         | 2     |
| 6   | 79708013000EB | Tail section EXC<br>with decal | 1     |
| 7   | 79708015000   | License plate holder           | 1     |
| 8   | 79708016000   | License plate holder extension | 1     |
| 9   | 58412080400   | Rear reflector red             | 1     |
| 10  | 0017060205    | SCREW FOR PLASTIC K60X20 SW6   | 4     |

205570810

54553

\* NEW PART

X ON DEMAND



| POS | PARTNUMBER  | PARTNAME                            | PIECE |
|-----|-------------|-------------------------------------|-------|
| 1   | 79708078025 | Displacement label 300 EXC          | 1     |
| 2   | 79708086300 | Sticker, right air filter box cover | 1     |
| 3   | 79708097000 | Sticker headlight shroud            | 1     |

225570830

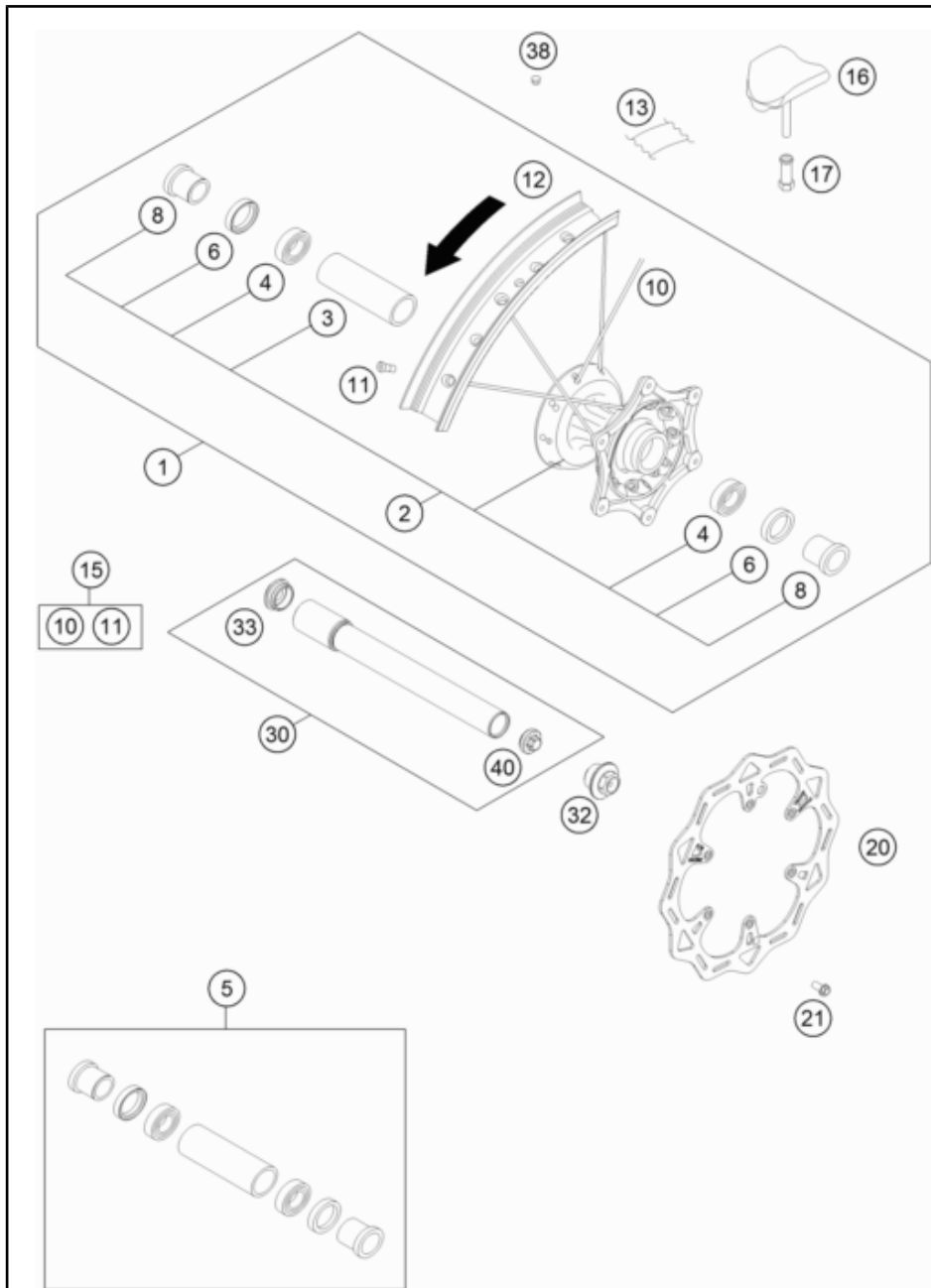
56704

\* NEW PART

X ON DEMAND

# FRONT WHEEL

300 EXC TPI 2022 EU 2022



| POS | PARTNUMBER    | PARTNAME                         | PIECE |
|-----|---------------|----------------------------------|-------|
| 1   | 7810910104430 | FRONT WHL.CMPL.1.6X21"GIANT 22MM | 1     |
| 2   | 77709010144   | FRONT WHEEL HUB CPL.             | 1     |
| 3   | 54809011000   | BEA.SPACERTUBE 35X2 L=79,4 03    | 1     |
| 4   | 0625069068    | GR.BALL BEAR.6906 DDU2CG23S6NM   | 2     |
| 5   | 77709015000   | FRONT WHEEL REP. KIT SX-F USA    | 1     |
| 6   | 0760354771    | SHAFT SEAL RING 35X47X7 TC       | 2     |
| 8   | 77709012000   | SPACER BUSHING F. FR. WHEEL      | 2     |
| 10  | 7710907122630 | SPOKE M4,5X226- 21" BLACK 12     | 36    |
| 11  | 77109072000   | SPOKE NIPPLE M4,5 AL 11          | 36    |
| 12  | 7810907000030 | RIM FRONT 1,6X21" BLACK          | 1     |
| 13  | 50309073000   | RIM BAND 21"                     | 1     |
| 15  | 00050000954   | SPOKE KIT FRONT "21" BLACK       | x     |
| 16  | 78109090000   | RIM LOCK 1,60"                   | 1     |
| 17  | 77110090050   | NUT FOR WHEEL HOLDER             | 1     |
| 20  | 79009060000   | BRAKE DISC FRONT 260MM 16        | 1     |
| 21  | 59009062013   | SPECIAL SCREW M6X13 WS=8 10.9    | 6     |
| 30  | 79109081033   | Wheel spindle front cmpl, 2019   | 1     |
| 32  | 70009082000   | AXLESCREW M20X1.5 SW17           | 1     |
| 33  | 70009081050   | PLUG BUSHING SW17 '12            | 1     |
| 38  | 55003135000   | PLUG FOR RIM                     | x     |
| 40  | 7770908107055 | AUXILIARY SCREW FRONT            | 1     |

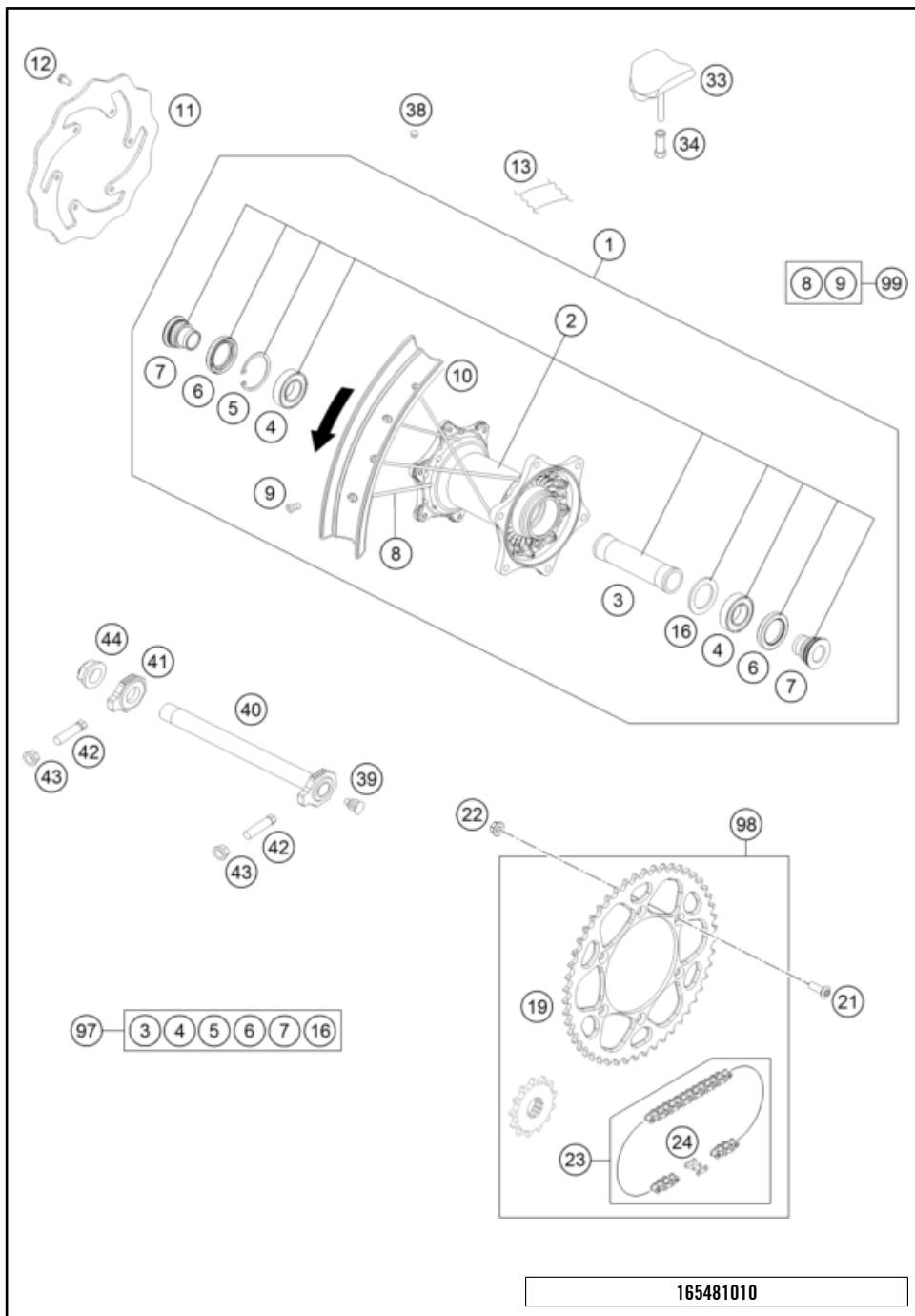
177960910

54485

\* NEW PART X ON DEMAND

# REAR WHEEL

300 EXC TPI 2022 EU 2022

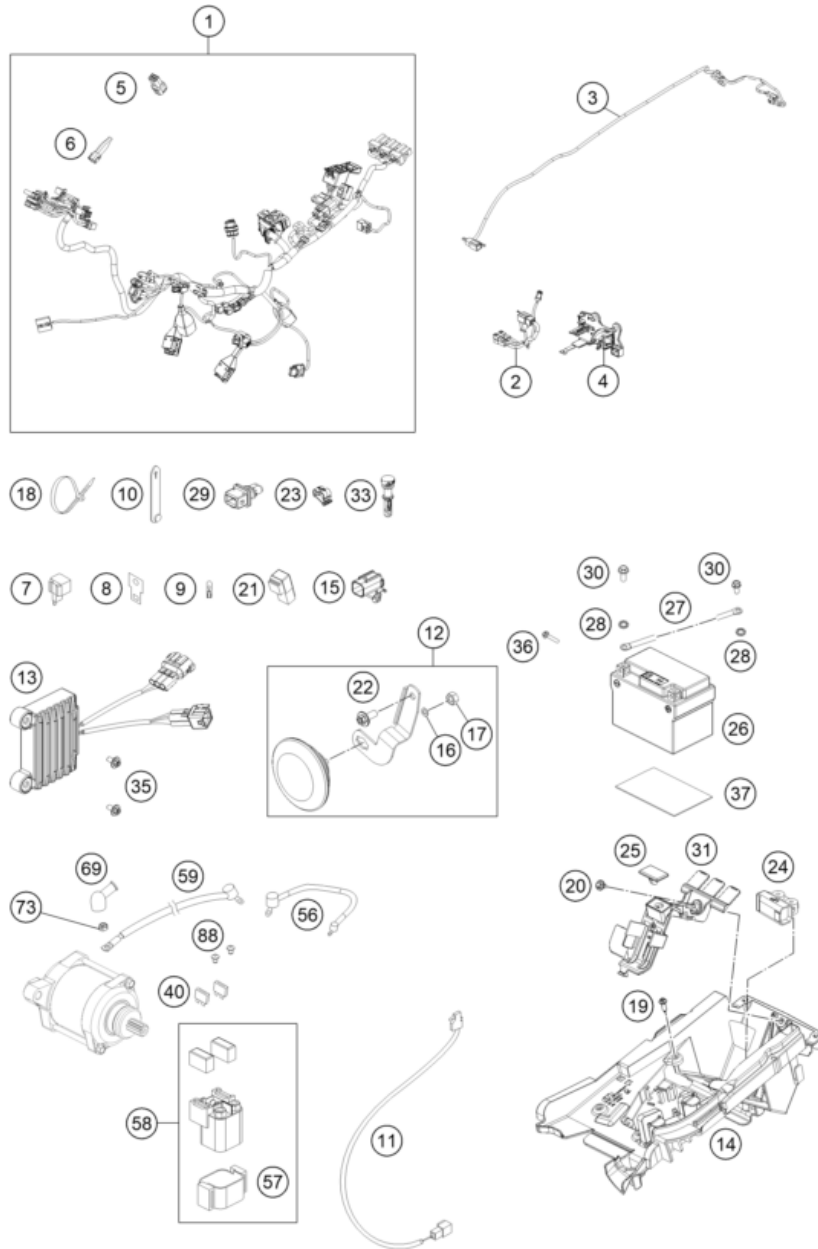


| POS | PARTNUMBER    | PARTNAME                         | PIECE |
|-----|---------------|----------------------------------|-------|
| 1   | 5041000114430 | REAR WHEEL CPL. 2,15X18"BLACK 17 | 1     |
| 2   | 78010010144   | REAR WHEEL HUB CPL.              | 1     |
| 3   | 77710011000   | BEARING DISTANCE TUBE 121,5MM    | 1     |
| 4   | 0625060058    | GR.BALL BEAR.6005 DDU2CG23S6NM   | 2     |
| 5   | 0472047175    | CIRCLIP DIN0472-47X1,75          | 1     |
| 6   | 0760324771    | SHAFT SEAL RING 32X47X7 BSL      | 2     |
| 7   | 78010016000   | BUSHING FOR HUB 08               | 2     |
| 8   | 7901007119330 | SPOKE M4,5X193-18" BLACK 16      | 36    |
| 9   | 79109072000   | Spoke nipple M4.5                | 36    |
| 10  | 7811007000030 | RIM REAR 2,15X18" BLACK          | 1     |
| 11  | 79010060000   | BRAKE DISC REAR 220MM 16         | 1     |
| 12  | 59009062013   | SPECIAL SCREW M6X13 WS=8 10.9    | 6     |
| 13  | 50310073200   | RIM BAND 18" AND 19"             | 1     |
| 16  | 77710015000   | DISTANCE RING                    | 1     |
| 19  | 7771015104801 | REAR SPROCKET 48-T               | x     |
| 19  | 7771015105001 | REAR SPROCKET 50-T               | 1     |
| 19  | 7771015105201 | REAR SPROCKET 52-T               | x     |
| 21  | 0019080266S   | COUNTER-SUNK SCREW ISA45 M8X26   | 6     |
| 22  | 06923080003   | hex nut EN 1661 M8 WS13          | 6     |
| 23  | 78010167118   | CHAIN DID 118 LINKS              | 1     |
| 24  | 78010166000   | CONNECTING LINK F. 78010167118   | 1     |
| 33  | 78110090000   | RIM LOCK 2,15"                   | 1     |
| 34  | 77110090050   | NUT FOR WHEEL HOLDER             | 1     |
| 38  | 55003135000   | PLUG FOR RIM                     | x     |
| 39  | 50210086000   | COVERING CAP SFL16               | x     |
| 40  | 77310085044   | WHEEL SPINDLE RE. CPL.265MM 07   | 1     |
| 41  | 50310084000   | CHAIN TENSIONER R/S 2000         | 1     |
| 42  | 50304040100   | screw M10x1.25x50 WS10           | 2     |
| 43  | 58414030000   | HH COLLAR NUT M10X1,25 WS=13     | 2     |
| 44  | 50310099000   | HEXAGON NUT M20X1,5 '98          | 1     |
| 97  | 78010015010   | REAR WHEEL REP. KIT              | x     |
| 98  | 00050002094   | Drive train kit 14Z / 50Z        | x     |
| 99  | 00050000981   | SPOKE KIT REAR 18" EXC 17        | x     |

165481010

52648

\* NEW PART X ON DEMAND



| POS | PARTNUMBER     | PARTNAME                       | PIECE |
|-----|----------------|--------------------------------|-------|
| 1   | 55711075100    | Main wiring harness            | 1     |
| 2   | 72111080000    | Flasher harness front          | 1     |
| 3   | 79711081000    | flasher harness rear           | 1     |
| 4   | 79711083000    | Connector support              | 1     |
| 5   | 000700000BH01  | DUMMY PLUG 6-PIN               | 1     |
| 6   | 000700000AL001 | Endconnector Can-Bus 2017      | 1     |
| 7   | 76511030000    | FLASHER UNIT                   | 1     |
| 8   | 58211031100    | BRACKET FOR FLASHER RELAY      | 1     |
| 9   | 49111425200    | BULB 12V 2,3W (W2X4,6D)        | 2     |
| 10  | 60011093075    | RUBBER CABLE TIE 75MM 03       | 1     |
| 11  | 77711050000    | BRAKE LIGHT SWITCH FRONT 2014  | 1     |
| 12  | 79711060033    | Horn, cmpl.                    | 1     |
| 13  | 79611034000    | VOLTAGE REGULATOR              | 1     |
| 14  | 55711055000    | battery box                    | 1     |
| 15  | 0007000000U002 | Plug cap                       | 1     |
| 16  | 0125050003     | WASHER DIN0125-A 5,3           | 1     |
| 17  | 0934050003     | HEXAGON NUT DIN0934-M 5        | 1     |
| 18  | 44011076140    | CABLE TIE 140/2,5MM BLACK      | x     |
| 18  | 44011076200    | CABLE TIE 200/3,6MM BLACK      | x     |
| 18  | 44011076305    | CABLE TIE 300/4,8MM BLACK      | x     |
| 19  | 0017060206     | SCREW F. PLASTIC K60X20AL SW6  | 1     |
| 20  | 59001092050    | SPECIAL SCREW M6X12,5 WS=8     | 1     |
| 21  | 61111057000    | RELAY CM1A-R-12V-H80 07        | 2     |
| 22  | 0024060156     | HH collar screw M6x15 TX30     | 1     |
| 23  | 83013026000    | CABLE GUIDE                    | 1     |
| 24  | 61041088000    | ROLLOVER SENSOR 05             | 1     |
| 25  | 77307040041    | Isolation pad                  | 1     |
| 26  | 79111053000    | battery 12V/24Wh               | 1     |
| 27  | 58411097100    | GROUND CABLE D=6MM L=140MM '97 | 1     |
| 28  | 58411098100    | CONTACT WASHER M6 VSV-K6       | 3     |
| 29  | 000700000LV001 | Dummy plug LV 2p/sealed        | 1     |
| 30  | 0025050126     | HH collar screw M5x12 TX30     | 2     |
| 31  | 79711056000    | battery support                | 1     |
| 33  | 55641030000    | Holder control unit            | 4     |
| 35  | 0023060123     | COLLAR SCREW M6X12 TX          | 1     |
| 36  | 0017060205     | SCREW FOR PLASTIC K60X20 SW6   | 3     |
| 37  | 59003001099    | METAMOLL 90X45X3MM 03          | 1     |
| 40  | 58011109120    | FUSE 20 A                      | 2     |

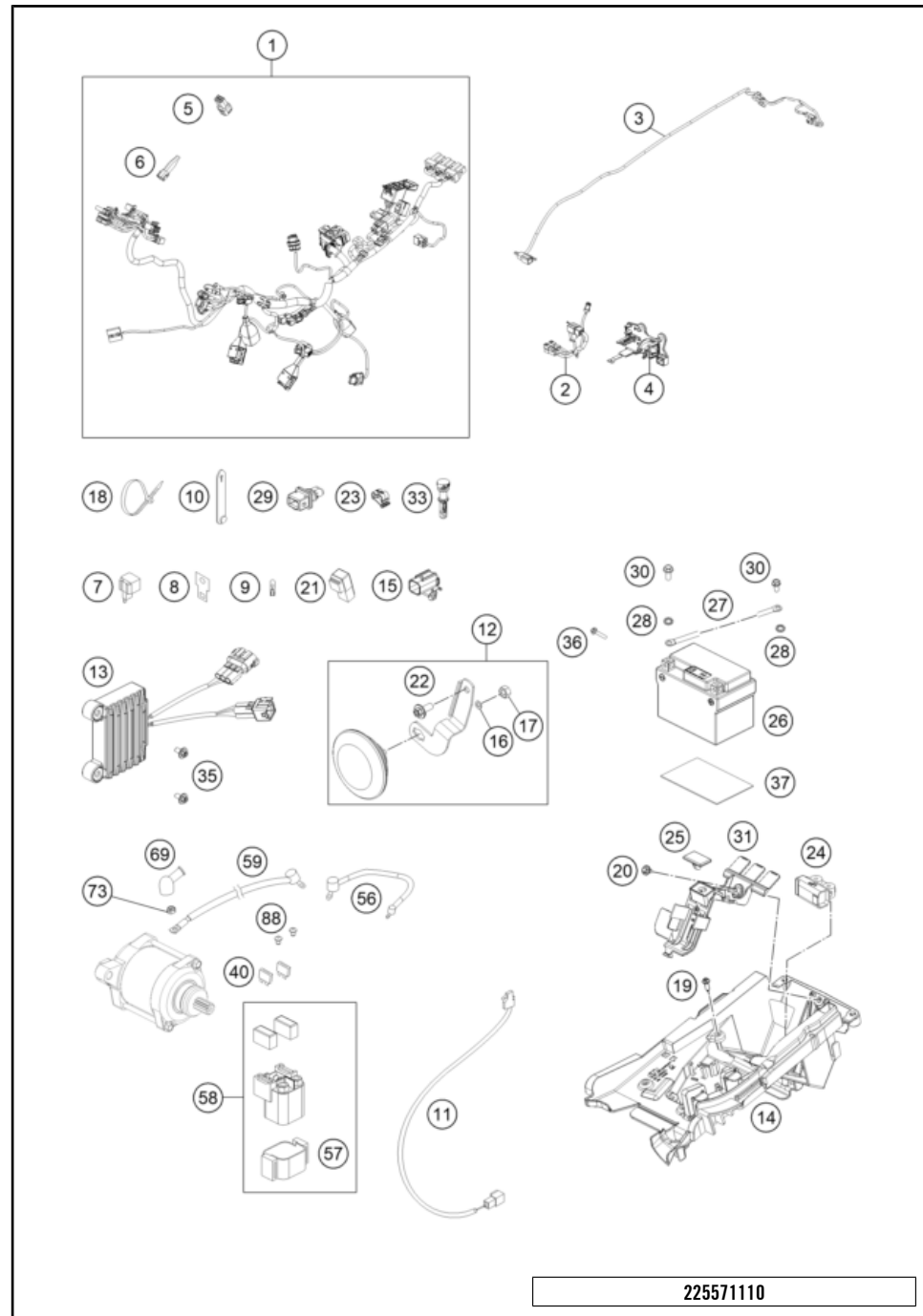
225571110

56711

\* NEW PART

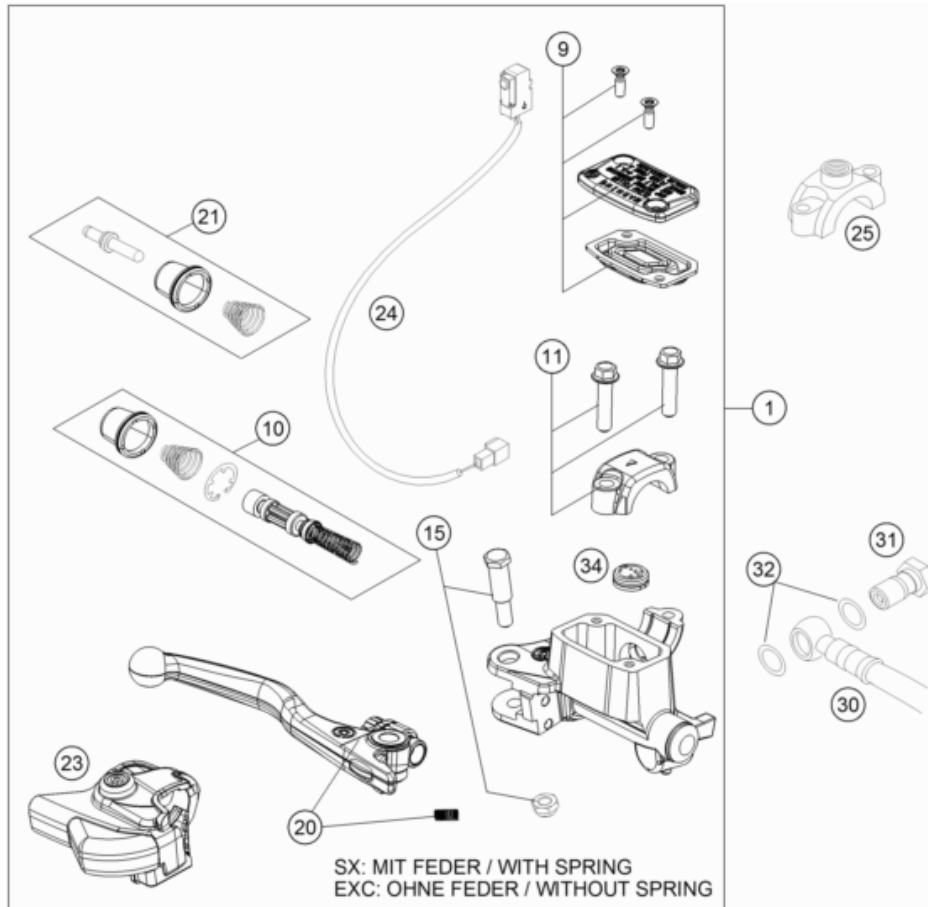
X ON DEMAND





| POS | PARTNUMBER  | PARTNAME                       | PIECE |
|-----|-------------|--------------------------------|-------|
| 56  | 25111059050 | Batteriekabel                  | 1     |
| 57  | 58211058050 | BRACKET RUBBER F.STARTRELAY 07 | 1     |
| 58  | 58211058000 | STARTER RELAY 12V '99          | 1     |
| 59  | 55711059000 | Starter cable                  | 1     |
| 69  | 77240099000 | PROTECTION CAP F. STARTER ENG. | 1     |
| 73  | 0985060003  | SELF LOCK. NUT DIN0985-M 6     | 1     |
| 88  | 0902060083  | AH OVAL SCREW ISO 7380 M 6X8   | 2     |

\* NEW PART X ON DEMAND



| POS | PARTNUMBER  | PARTNAME                       | PIECE |
|-----|-------------|--------------------------------|-------|
| 1   | 77713001144 | HAND BREAK CYLIND. CPL. EXC 14 | 1     |
| 9   | 77713003000 | HAND BRAKE CYL. COVER          | 1     |
| 10  | 77713008100 | REPAIR KIT PISTON EXC 2014     | 1     |
| 11  | 50313005000 | CLAMP CPL. NATURE              | 1     |
| 15  | 77713006000 | LEVER SCREW                    | 1     |
| 20  | 77713002000 | HAND BRAKE LEVER +SPRING SX 14 | 1     |
| 21  | 77713007100 | PUSH ROD CPL. EXC 2014         | 1     |
| 23  | 77713004000 | PROTECTION CAP HAND BRAKE CYL. | 1     |
| 24  | 77711050000 | BRAKE LIGHT SWITCH FRONT 2014  | 1     |
| 25  | 58012040150 | CLAMP FOR MIRROR '94           | 1     |
| 30  | 77713010000 | BRAKE PIPE                     | 1     |
| 31  | 54813020100 | banjo bolt M10x1x19 black      | 1     |
| 32  | 0603100141  | sealing ring DIN 7603 10x14x1  | 2     |
| 34  | 54802051000 | VALVE                          | 1     |
| 80  | 00062030000 | BRAKE FLUID DOT5.1 0,25L       | 1     |

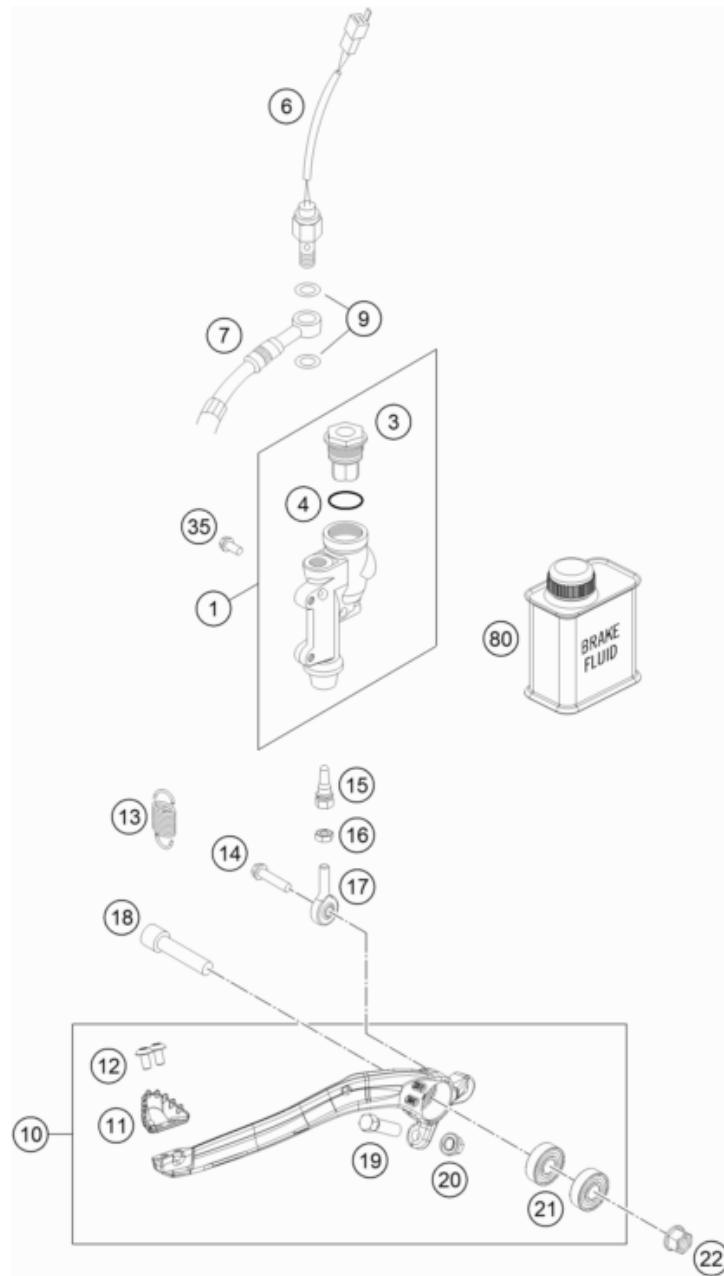


145031310

14388

\* NEW PART

X ON DEMAND



| POS | PARTNUMBER  | PARTNAME                               | PIECE |
|-----|-------------|--|-------|
| 1   | 77013060044 | REAR BRAKE CYLINDER CPL.SX 09          | 1     |
| 3   | 54813062100 | REAR BRAKE CYL. COVER CPL. 04          | 1     |
| 4   | 54813063000 | FOOT-BRAKE CYL. GASKET SX 03           | 1     |
| 6   | 50311051100 | BRAKE LIGHT SWITCH REAR '98            | 1     |
| 7   | 54813070200 | Brake hose rear 655 mm                 | 1     |
| 9   | 0603100141  | sealing ring DIN 7603 10x14x1          | 2     |
| 10  | 55413050044 | FOOT BRAKE LEVER CPL.                  | 1     |
| 11  | 55413051000 | STEP PLATE FOOT BRAKE LEVER            | 1     |
| 12  | 78105081010 | SCREW TORX M5X10                       | 2     |
| 13  | 79003062000 | RETURN SPRING F. BRAKE LEVER           | 1     |
| 14  | 0025060206S | HH collar screw M6x20 TX30             | 1     |
| 15  | 54813056000 | PUSH ROD L=28MM 03                     | 1     |
| 16  | 0934060003  | hex nut DIN 934 M6                     | 1     |
| 17  | 54813055000 | SWIVEL HEAD KA6 03                     | 1     |
| 18  | 0032100406S | AH-COLLAR SCREW M10X40 ISA45           | 1     |
| 19  | 59001037000 | SPECIAL SCREW M8X26 WS=10              | 1     |
| 20  | 46030045000 | flanged nut M8 WS10                    | 1     |
| 21  | 0625060002  | deep groove ball bearing SKF 6000-2RS1 | 2     |
| 22  | 54630044000 | COLLAR NUT M10 WS=13                   | 1     |
| 35  | 0025060126  | HH collar screw M6x12 TX30             | 2     |
| 80  | 00062030000 | BRAKE FLUID DOT5.1 0,25L               | 1     |

177961330

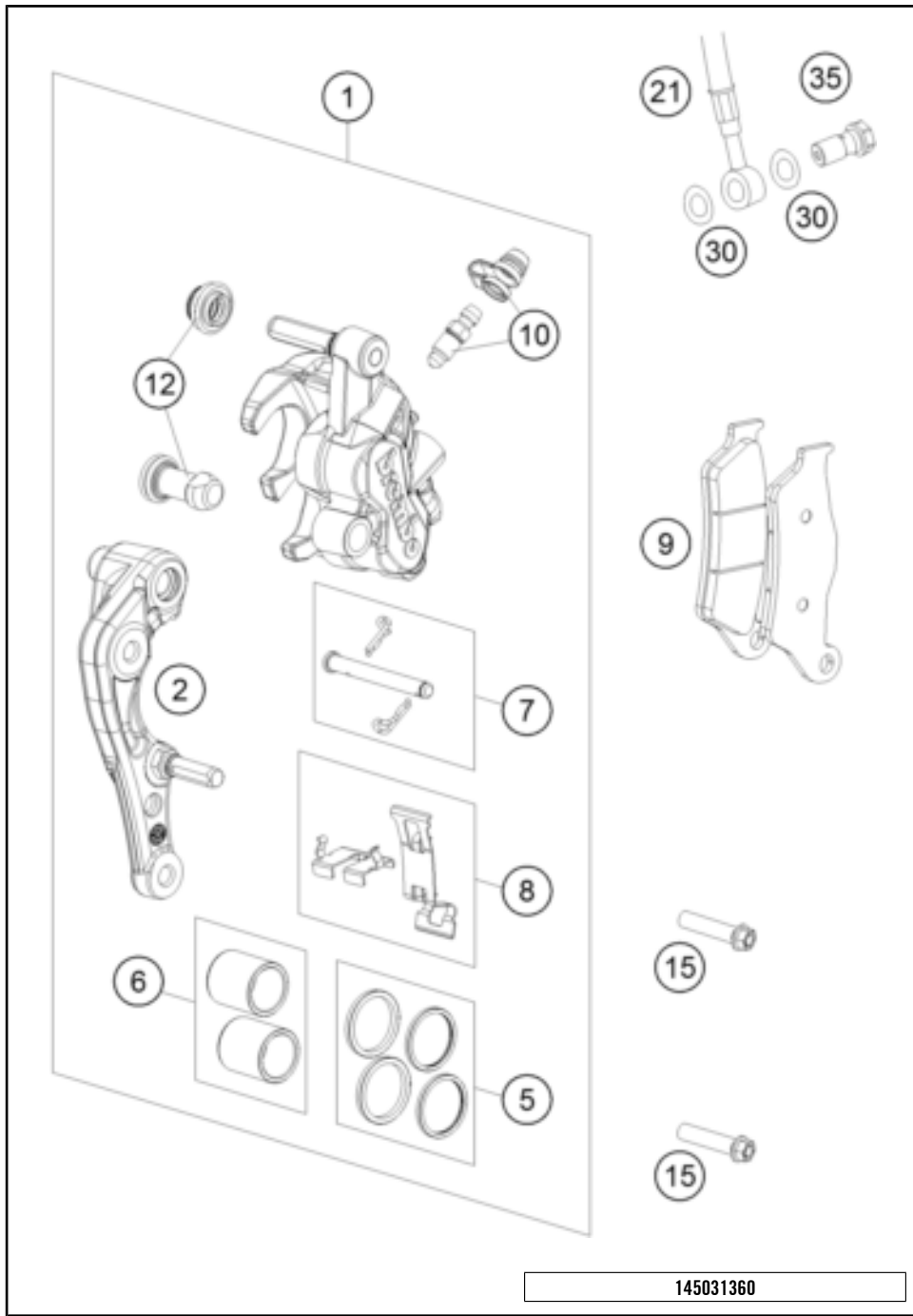
49340

\* NEW PART

X ON DEMAND

# FRONT BRAKE CALIPER

300 EXC TPI 2022 EU 2022



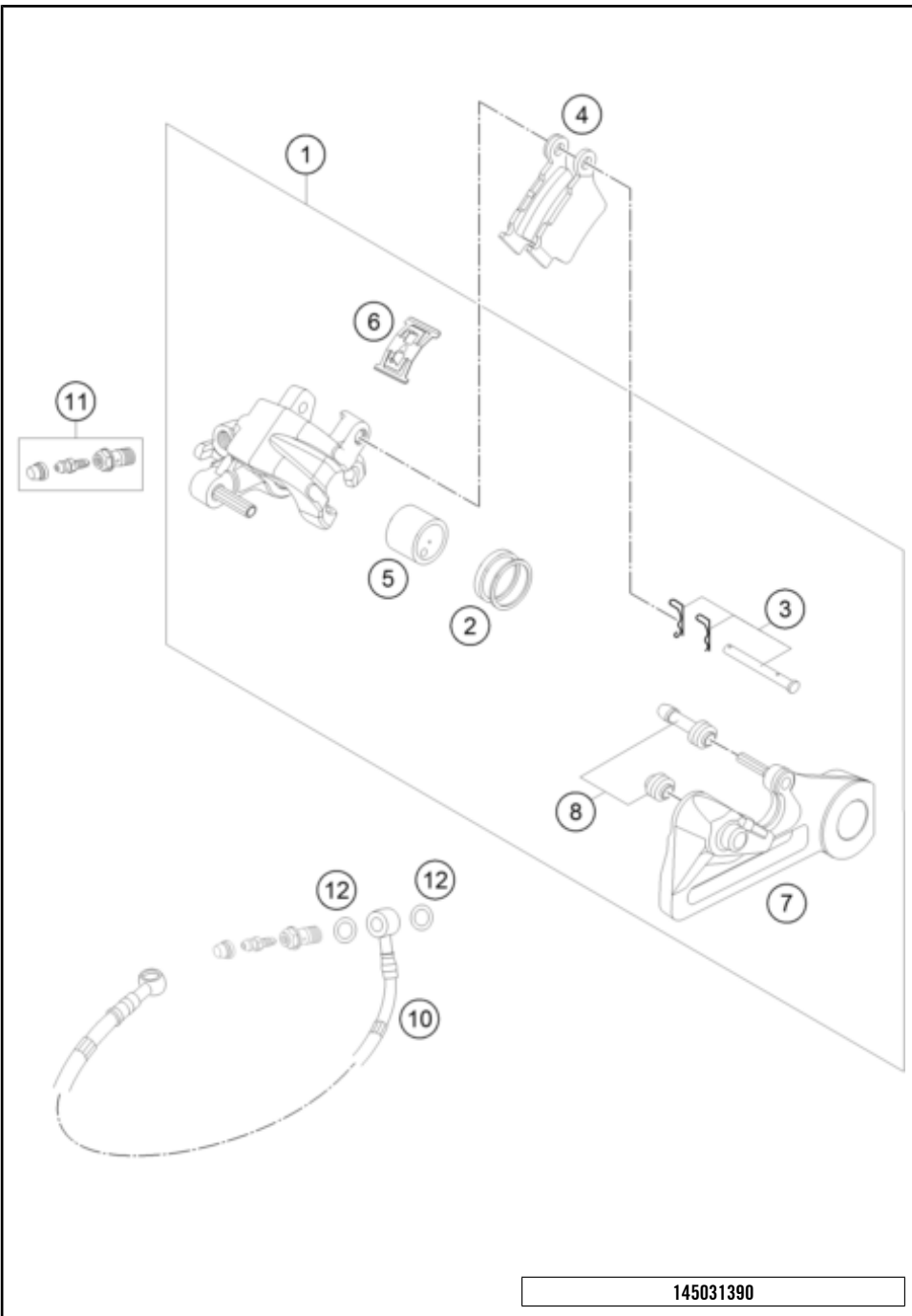
| POS | PARTNUMBER    | PARTNAME                       | PIECE |
|-----|---------------|--------------------------------|-------|
| 1   | 7701301500101 | CALIPER NAT. WITHOUT PADS      | 1     |
| 2   | 77013014000   | BRAKE CALIPER SUPPORT FRONT 09 | 1     |
| 5   | 77013021000   | REP. KIT SEALS 24MM            | 1     |
| 6   | 77013019000   | REP. KIT PISTON 24MM           | 1     |
| 7   | 77013017000   | BOLT CPL. 09                   | 1     |
| 8   | 77013018000   | RETAINING PLATE SET BREMBO     | 1     |
| 9   | 77713030000   | BRAKE PADS FRONT               | 1     |
| 10  | 61013020100   | BLEEDER SCREW WITH CAP         | 1     |
| 12  | 54613218000   | CUP SET SHORT                  | 1     |
| 15  | 0025080306S   | HH COLLAR SCREW M8X30 TX40     | 2     |
| 21  | 77713010000   | BRAKE PIPE                     | 1     |
| 30  | 0603100141    | sealing ring DIN 7603 10x14x1  | 2     |
| 35  | 54813020100   | banjo bolt M10x1x19 black      | 1     |

145031360

14399

\* NEW PART

X ON DEMAND

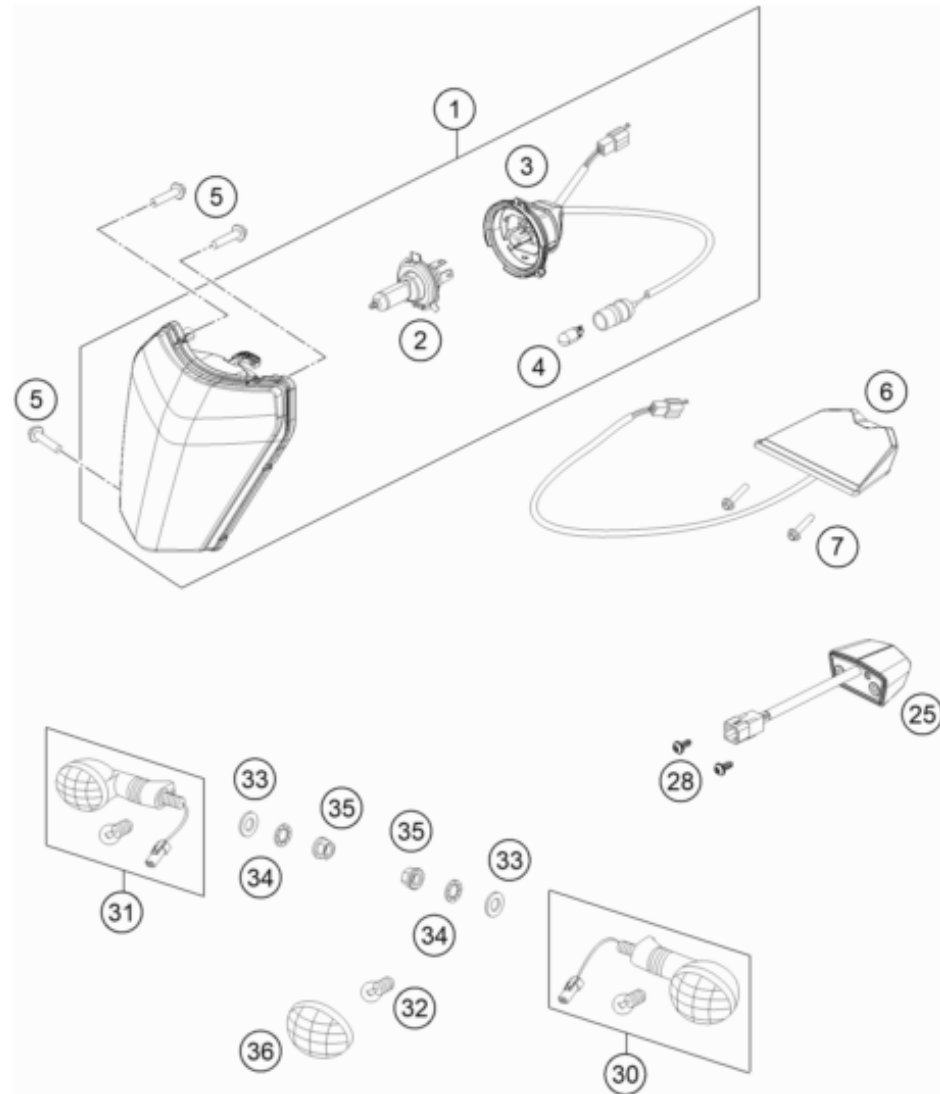


| POS | PARTNUMBER  | PARTNAME                      | PIECE |
|-----|-------------|-------------------------------|-------|
| 1   | 79613080001 | BRAKE CALIPER REAR            | 1     |
| 2   | 79013081000 | REPAIR KIT SEAL RING 24MM     | 1     |
| 3   | 54813082000 | BOLT SET FOR BRAKE CALIPER 03 | 1     |
| 4   | 54813090300 | BRAKE PAD SET REAR TOYO       | 1     |
| 5   | 79013083000 | BRAKE PISTON 24MM             | 1     |
| 6   | 54813018000 | RETAINING SPRING SET 2003     | 1     |
| 7   | 54813075000 | BRAKE CALIPER SUPPORT REAR    | 1     |
| 8   | 54613218100 | CUP SET SHORT                 | 1     |
| 10  | 54813070200 | Brake hose rear 655 mm        | 1     |
| 11  | 62513020000 | BLEEDER SCREW CPL. 05         | 1     |
| 12  | 0603100141  | sealing ring DIN 7603 10x14x1 | 2     |

145031390

49341

\* NEW PART X ON DEMAND



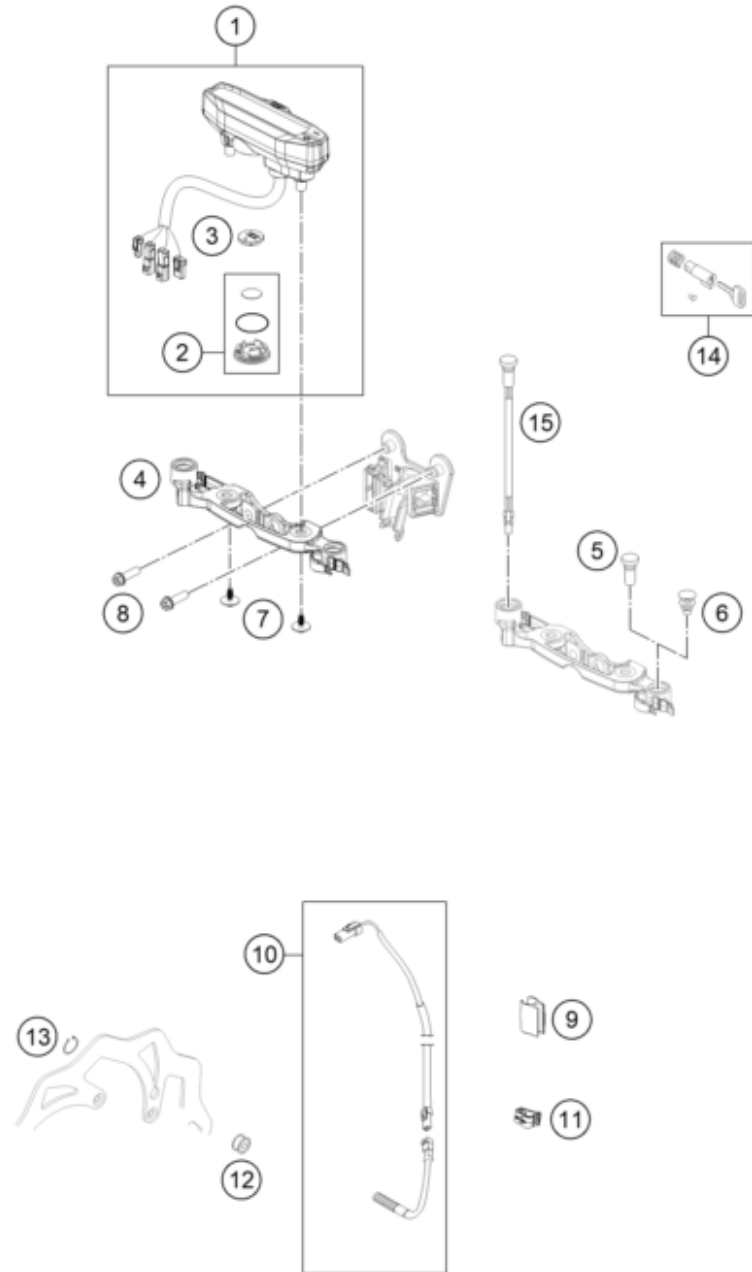
| POS | PARTNUMBER  | PARTNAME                      | PIECE |
|-----|-------------|-------------------------------|-------|
| 1   | 78114001000 | HEAD LIGHT CPL. 2013          | 1     |
| 2   | 54611038012 | BULB HS1 12V 35/35W WHITE     | 1     |
| 3   | 78114001050 | LAMP BRACKET CPL. 2014        | 1     |
| 4   | 49011435100 | BULB 12V 5W (W2,1X9,5D) PHIL. | 1     |
| 5   | 0081050181  | SCREW FOR PLASTIC K50X18 T20  | 3     |
| 6   | 79714040000 | Tail light                    | 1     |
| 7   | 0017060255  | EJOT PT SCREW K60X25-Z SW6    | 2     |
| 25  | 60314047000 | license plate lighting        | 1     |
| 28  | 0081050121  | EJOT PT screw K50x12          | 2     |
| 30  | 54814025200 | FLASHER CPL. FR.L/S RE.R/S 09 | 2     |
| 31  | 54814026200 | FLASHER CPL. FR.R/S RE.L/S 09 | 2     |
| 32  | 44111015100 | BULB 12V 10W (BA15S)          | 4     |
| 33  | 0125100003  | washer DIN 125 A 10.5         | 4     |
| 34  | 0797100003  | LOCK WASHER DIN6797-J10,5 ZI  | 4     |
| 35  | 58414030000 | HH COLLAR NUT M10X1,25 WS=13  | 4     |
| 36  | 54814028000 | FLASHER LENS L/S R/S 05       | 4     |

205571410

52673

\* NEW PART

X ON DEMAND



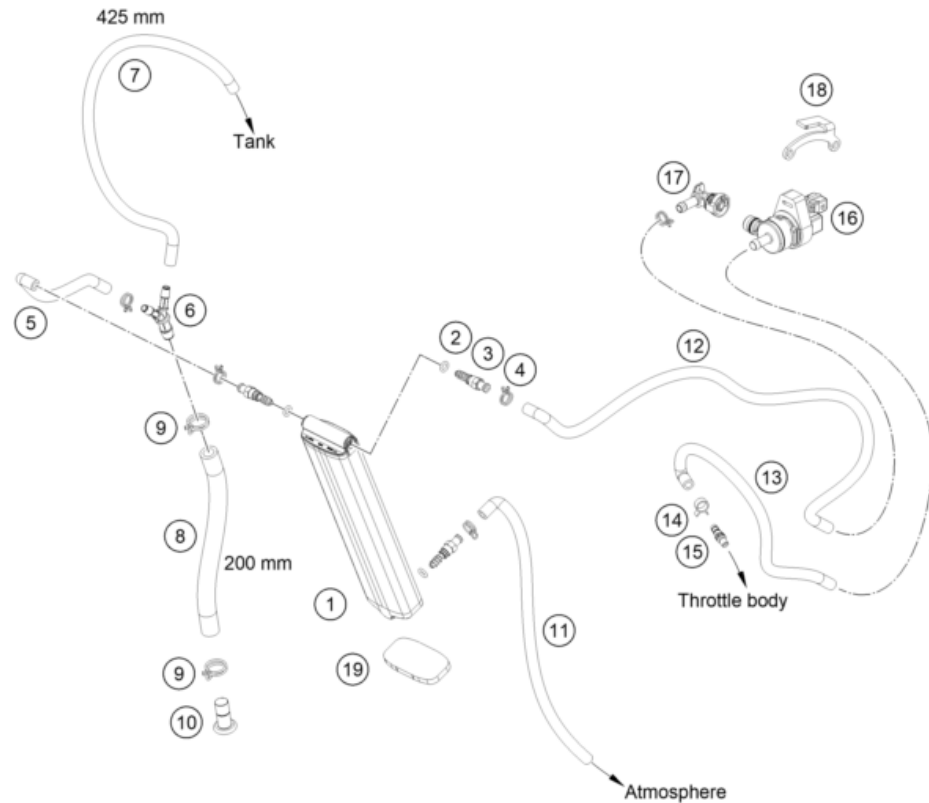
| POS | PARTNUMBER  | PARTNAME  | PIECE |
|-----|-------------|---|-------|
| 1   | 77714069600 | Speedometer digital km/h f. 21"<br>REPROGRAMMABLE: KM/H - MPH | 1     |
| 2   | 77714069010 | BATTERY COVER F. SPEEDOMETER                                  | 1     |
| 3   | 58314068000 | BATTERY F. SPEEDOM. M.A.E. 02                                 | 1     |
| 4   | 55614060000 | Speed indicator mount   | 1     |
| 5   | 58011024300 | FLASHER INDICAT.LIGHT GREEN'98                                | 1     |
| 6   | 50210086000 | COVERING CAP SFL16  | 1     |
| 7   | 0081645121  | EJOT DELTA PT SCREW 45X12-Z                                   | 2     |
| 8   | 0024060206  | HH collar screw M6x20 TX30                                    | 2     |
| 9   | 54813026000 | CABLE SUPPORT 10/6MM 06                                       | 2     |
| 10  | 54814068100 | CABLE FOR DIGITAL SPEEDOM. 06                                 | 1     |
| 11  | 83013026000 | CABLE GUIDE   | 2     |
| 12  | 54814069050 | MAGNET FOR DIGITAL SPEEDOM. 03                                | 1     |
| 13  | 0471009104  | CIRCLIP DIN0471- 9X1 INOX                                     | 1     |
| 14  | 78003035100 | Steering lock   | 1     |
| 15  | 55638063000 | Oil Indicator   | 1     |

205571430

52677

\* NEW PART

X ON DEMAND



| POS | PARTNUMBER  | PARTNAME                                 | PIECE |
|-----|-------------|--|-------|
| 1   | 79615001100 | Activated charcoal filter                | 1     |
| 2   | 0770060020  | O-RING 6,00X2,00 NBR 70                  | 3     |
| 3   | 79615019100 | Hose connector                           | 3     |
| 4   | 58007017000 | YDNAC CLAMP 10101 (10,4MM)               | 4     |
| 5   | 79615021000 | PREFORMED HOSE 6X10 ECO                  | 1     |
| 6   | 61315028100 | Y-CONNECTOR YS 6-10-6                    | 1     |
| 7   | 78015019000 | HOSE EPA D=6/10 L=2000MM                 | 1     |
| 8   | 78015119000 | HOSE EPA D=10/16 L=2000MM                | 1     |
| 9   | 58431082100 | YDNAC-CLAMP 10173 (16MM) '98             | 2     |
| 10  | 61315026100 | Screw plug ACF                           | 1     |
| 11  | 79615025000 | PREFORMED HOSE 6X10 ECO                  | 1     |
| 12  | 79615023000 | PREFORMED HOSE 6X10 ECO                  | 1     |
| 13  | 79615024000 | PREFORMED HOSE 6X10 ECO                  | 1     |
| 14  | 59007017000 | CLAMP YDNAC 10096F (9,6MM)               | 1     |
| 15  | 60036023100 | VACUUM CONECTION M6/0,5MM                | 1     |
| 16  | 61115015000 | VALVE FOR CARBON CANISTER 07             | 1     |
| 17  | 61115016000 | FITTING PIECE NQV2 NW7 90°               | 1     |
| 18  | 55715002000 | Active charcoal filter valve, ret. brckt | 1     |
| 19  | 79615001090 | Thermal protection foil                  | 1     |

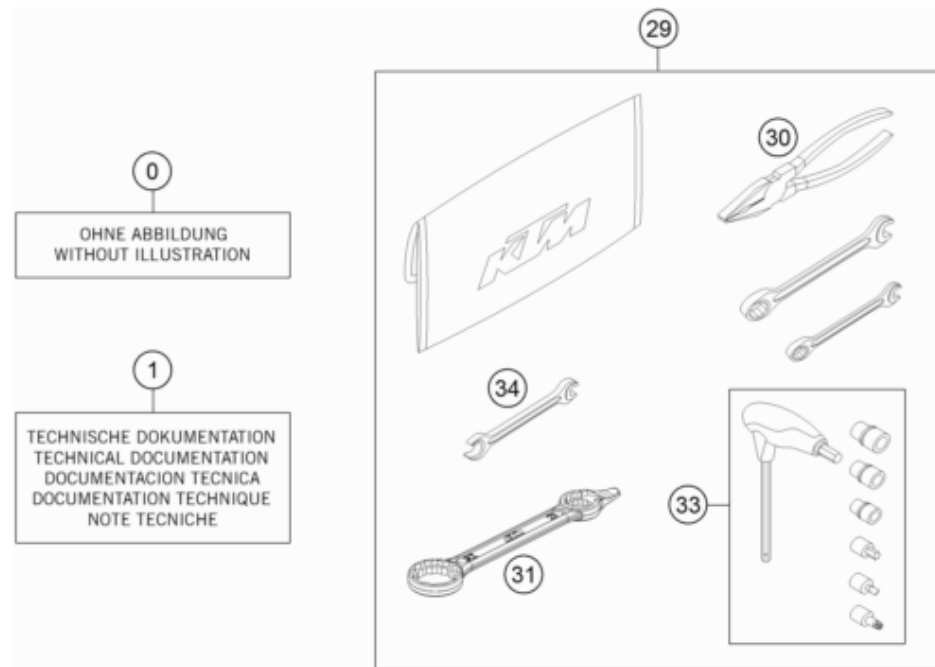
21A5401511

55589

\* NEW PART

X ON DEMAND





| POS | PARTNUMBER     | PARTNAME                           | PIECE |
|-----|----------------|------------------------------------|-------|
| 0   | 52000238SET    | Sticker set Xplor OC 238x182.5     | 1     |
| 0   | 312313         | KTM BALLPOINT PEN ORANGE           | 1     |
| 0   | 79603040033    | FOOTREST-SET                       | 1     |
| 0   | 7910309410030  | Frame protection set               | 1     |
| 0   | 55705007000    | Header                             | 1     |
| 0   | 54603048000    | RANGE CHANGE METAL NUT M8          | 1     |
| 0   | 0025080306     | HH collar screw M8x30              | 1     |
| 0   | 78141013190    | FUEL FILTER                        | 3     |
| 0   | 60408061050    | RUBBER 14X6.5X2.3MM                | 2     |
| 0   | 50406016000    | AIR FILTER SUPPORT                 | 1     |
| 0   | 79712099000    | Seperate enclosure for turn signal | 1     |
| 0   | 58412080300    | REFLECTOR YELLOW "CEV"             | 2     |
| 0   | 0025050126     | HH collar screw M5x12 TX30         | 2     |
| 0   | 58411098100    | CONTACT WASHER M6 VSV-K6           | 2     |
| 0   | 79002014100    | CAM 4-T 39,5 MM                    | 1     |
| 0   | 79602182044EB  | Handguard                          | 1     |
| 0   | 79602084044    | Handguard assembly kit             | 1     |
| 0   | 58012040000    | REAR MIRROR L/S                    | 1     |
| 0   | 79708016000    | License plate holder extension     | 1     |
| 0   | 58012140000    | REAR MIRROR R/S                    | 1     |
| 0   | 58012040150    | CLAMP FOR MIRROR '94               | 2     |
| 0   | 58412080400    | Rear reflector red                 | 1     |
| 0   | 0019080206S    | FLAT HEAD SCREW M. ISA45 M8X20     | 1     |
| 0   | 77805069000    | BUSHING 8.5x12x28x8.3              | 2     |
| 0   | 79615020010    | Locking cap evaporative canister   | 3     |
| 0   | 00063004202    | PRINT LABEL 60X51 MM               | 1     |
| 0   | 312305         | DOCUMENTS BAG 2006                 | 1     |
| 0   | 3210917        | NOTEPAD                            | 1     |
| 0   | 77202002144    | BAR PAD CPL.                       | 1     |
| 0   | 81212016100    | WASH CAP SET                       | 1     |
| 0   | 00063004012    | HEADLIGHT MASK BOX                 | 1     |
| 0   | 000700000LV001 | Dummy plug LV 2p/sealed            | 1     |
| 0   | 000700000PA001 | dummy plug magnetic pump 2 str     | 1     |
| 0   | 000700000AN01  | Dummy plug 4-pins                  | 1     |
| 0   | 79233029013    | SPROCKET 13T                       | 1     |
| 0   | 54739093000    | SPARK PLUG NGK BR7ES               | 1     |
| 0   | 79708078025    | Displacement label 300 EXC         | 1     |
| 0   | 55741101010    | Locking cap                        | 1     |

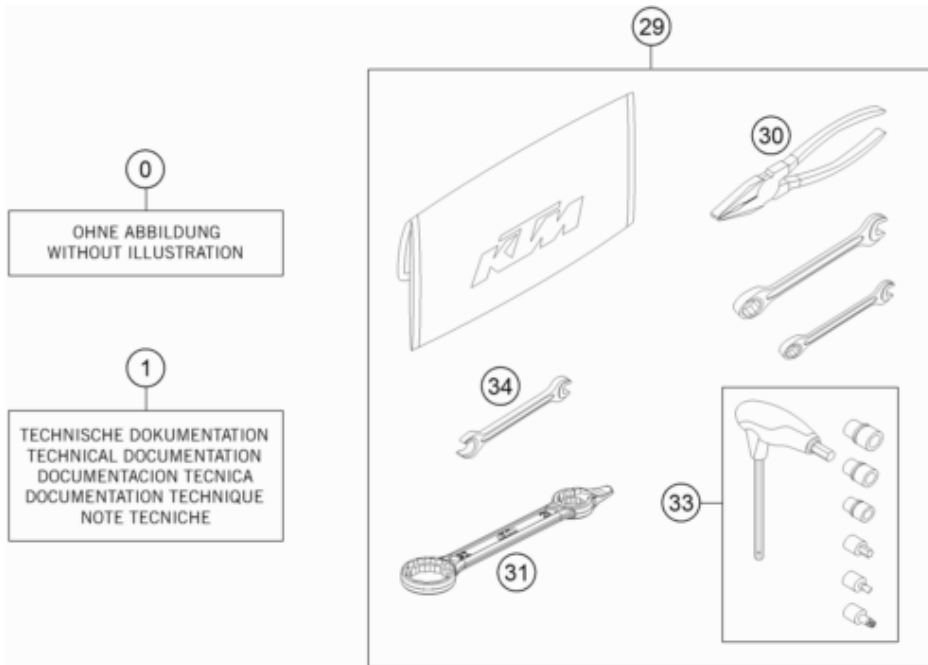
155482000

56722

\* NEW PART

X ON DEMAND

| POS | PARTNUMBER   | PARTNAME                        | PIECE |
|-----|--------------|---------------------------------|-------|
| 1   | 3214421EN    | Bed.-Anl. 250/300 EXC/XC-W 2022 | 1     |
| 29  | A54029099000 | Tool set                        | 1     |
| 30  | 53012028200  | GRIP ORANGE B&F                 | 1     |
| 31  | 50329080100  | WRENCH SW=17/21/27/32 B&F       | 1     |
| 33  | 60029070300  | T-WRENCH WS=6/8/10/TX45/SK4X1   | 1     |
| 34  | 50329072000  | SPOKE-SPANNER WS 7/10           | 1     |

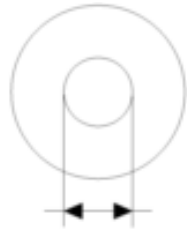


155482000

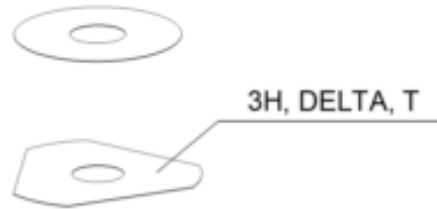
56722

\* NEW PART

X ON DEMAND



- ⑤ Ø 5 mm
- ⑥ Ø 6 mm
- ⑧ Ø 8 mm
- ⑩ Ø 10 mm
- ⑫ Ø 12 mm
- ⑭ Ø 14-14,5 mm
- ⑯ Ø 16 mm
- ⑳ Ø 20 mm
- ㉑ Ø 21 mm
- ㉒ Ø 22 mm
- ㉓ Ø 23 mm
- ㉔ Ø 24,5 mm
- ㉘ Ø 28,25-28,5 mm
- ㉚ Ø 32 mm
- ㉜ Ø 52 mm



| POS | PARTNUMBER | PARTNAME             | PIECE |
|-----|------------|----------------------|-------|
| 5   | 44906890   | WASHER 5X15X2        | X     |
| 6   | 40540400   | Shim 6x12x0,10       | X     |
| 6   | 40540401   | Shim 6x14x0,10       | X     |
| 6   | 40540402   | Shim 6x16x0,10       | X     |
| 6   | 40540403   | Shim 6x18x0,10       | X     |
| 6   | 40540404   | Shim 6x12x0,15       | X     |
| 6   | 40540405   | Shim 6x14x0,15       | X     |
| 6   | 40540406   | Shim 6x16x0,15       | X     |
| 6   | 40540407   | SHIM 6X18X0,15       | X     |
| 6   | 40540408   | Shim 6x12x0,20       | X     |
| 6   | 40540409   | Shim 6x14x0,20       | X     |
| 6   | 40540410   | Shim 6x16x0,20       | X     |
| 6   | 40540411   | Shim 6x18x0,20       | X     |
| 6   | 48600095   | SHIM 6X20X0,20       | X     |
| 6   | 40540412   | Shim 6x12x0,25       | X     |
| 6   | 40540413   | Shim 6x14x0,25       | X     |
| 6   | 40540414   | Shim 6x16x0,25       | X     |
| 6   | 40540415   | Shim 6x18x0,25       | X     |
| 6   | 40540417   | SHIM 6X8,5X0,10      | X     |
| 6   | 40540418   | SHIM 6X9X0,10        | X     |
| 6   | 40540419   | SHIM 6X9,5X0,10      | X     |
| 6   | 40540423   | SHIM 6X9,5X0,15      | X     |
| 6   | 40540425   | SHIM 6X8,5X0,20      | X     |
| 6   | 40540426   | SHIM 6X9X0,20        | X     |
| 6   | 40540427   | SHIM 6X9,5X0,20      | X     |
| 6   | 40540447   | Shim 6x10x0,30       | X     |
| 6   | 40540449   | Shim 6x9x0,30        | X     |
| 6   | 40540450   | Shim 6x9,5x0,30      | X     |
| 6   | 40540494   | Shim 6x18x0,40       | X     |
| 6   | 40540774   | Shim 6x18x0,10 delta | X     |
| 6   | 40541383   | Shim 6X11X0,10       | X     |
| 6   | 40541391   | Shim 6x11x0,30       | X     |
| 6   | 40541402   | Shim 6x11x0,20       | X     |
| 6   | 40541403   | SHIM 6X10X0,20       | X     |
| 6   | 40541404   | Shim 6x10x0,10       | X     |
| 6   | 40541405   | Shim 6x10x0,15       | X     |
| 6   | 40541406   | SHIM 6X11X0,15       | X     |
| 6   | 40541408   | SHIM 6X8,0X0,30      | X     |

080000190

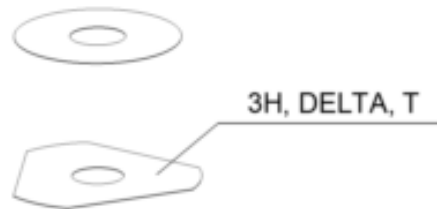
4668

\* NEW PART

X ON DEMAND



- ⑤ Ø 5 mm
- ⑥ Ø 6 mm
- ⑧ Ø 8 mm
- ⑩ Ø 10 mm
- ⑫ Ø 12 mm
- ⑭ Ø 14-14,5 mm
- ⑯ Ø 16 mm
- ⑳ Ø 20 mm
- ㉑ Ø 21 mm
- ㉒ Ø 22 mm
- ㉓ Ø 23 mm
- ㉔ Ø 24,5 mm
- ㉘ Ø 28,25-28,5 mm
- ㉚ Ø 32 mm
- ㉜ Ø 52 mm



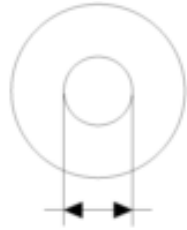
| POS | PARTNUMBER | PARTNAME             | PIECE |
|-----|------------|----------------------|-------|
| 6   | 40541414   | Shim 6x8x0,1         | X     |
| 6   | 40541416   | SHIM 6X8X0,3         | X     |
| 6   | 40541417   | SHIM 6X11X0,25       | X     |
| 6   | 48600102   | SHIM 6X24X0,25       | X     |
| 6   | 48600063   | Shim 6x24x0,10       | X     |
| 6   | 48600064   | Shim 6x22x0,10       | X     |
| 6   | 48600065   | Shim 6x20x0,10       | X     |
| 6   | 48600069   | Shim 6x20x0,15       | X     |
| 6   | 48600100   | Shim 6x24x0,15       | X     |
| 6   | 48600116   | Shim 6x24x0,10 delta | X     |
| 6   | 48600139   | Shim 6x22x0,1 delta  | X     |
| 6   | 48600217   | Shim 6x10x0,25       | X     |
| 6   | 48600325   | Shim 6x13x0,10       | X     |
| 6   | 48600327   | SHIM 6X15X0,1        | X     |
| 6   | 48600329   | Shim 6x17x0,10       | X     |
| 6   | 48600331   | Shim 6x19x0,10       | X     |
| 6   | 48600096   | Shim 6x20x0,25       | X     |
| 6   | 48600097   | Shim 6x22x0,15       | X     |
| 6   | 48600099   | Shim 6x22x0,25       | X     |
| 6   | 40540448   | Shim 6x8,5x0,30      | X     |
| 6   | 48600479   | Shim 6x20x0,10 DELTA | X     |
| 6   | 48600332   | SHIM 6X21X0,1        | X     |
| 6   | 48600333   | SHIM 6X23X0,1        | X     |
| 6   | 40541393   | Shim 6x12x0,30       | X     |
| 6   | 48600330   | SHIM 6X17X0,15       | X     |
| 6   | 48600988   | Shim 6x28x0,10       | X     |
| 6   | 48600989   | Shim 6x26x0,10       | X     |
| 6   | 48601091   | Shim 6x28x0,15       | X     |
| 6   | 48601093   | Shim 6x26x0,15       | X     |
| 6   | 48600328   | Shim 6x15x0,15       | X     |
| 6   | 48600326   | Shim 6x13x0,15       | X     |
| 6   | 48601548   | Shim 6x17x1,5        | X     |
| 6   | 48601693   | Washer 6x18x3        | X     |
| 6   | 48600098   | Shim 6x22x0,20       | X     |
| 6   | 48601300   | Washer 6x25x1,5      | X     |
| 6   | 48601692   | Shim 6x30x0,15       | X     |
| 6   | 48601550   | Shim 6x30x0,10       | X     |
| 6   | 40541392   | Shim 6x8x0,2         | X     |

080000190

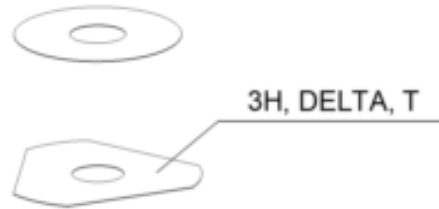
4668

\* NEW PART

X ON DEMAND



- ⑤ Ø 5 mm
- ⑥ Ø 6 mm
- ⑧ Ø 8 mm
- ⑩ Ø 10 mm
- ⑫ Ø 12 mm
- ⑭ Ø 14-14,5 mm
- ⑯ Ø 16 mm
- ⑳ Ø 20 mm
- ㉑ Ø 21 mm
- ㉒ Ø 22 mm
- ㉓ Ø 23 mm
- ㉔ Ø 24,5 mm
- ㉘ Ø 28,25-28,5 mm
- ㉚ Ø 32 mm
- ㉜ Ø 52 mm



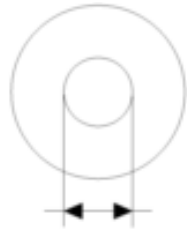
| POS | PARTNUMBER      | PARTNAME                    | PIECE |
|-----|-----------------|-----------------------------|-------|
| 6   | 48601917        | Washer 6x25x4               | X     |
| 6   | 48601916        | Washer 6x18x4               | X     |
| 6   | 40540399        | Shim 6x16x0,30              | X     |
| 6   | 48601584        | Shim 6x30x0,4 spring shim   | X     |
| 6   | 48601459        | Washer check valve 6x31x0,4 | X     |
| 6   | 48601849        | Check valve plate 2,5mm hub | X     |
| 6   | 48600101        | SHIM 6X24X0,20              | X     |
| 6   | 48601094        | Shim 6x26x0,20              | X     |
| 6   | 40540422        | Shim 6X9X0,15               | X     |
| 6   | 48601841        | Washer check valve 6x31x0,4 | X     |
| 6   | 48601850        | Shim 6x30x0,4 spring shim   | X     |
| 6   | 48601092        | Shim 6x28x0,20              | X     |
| 6   | 48601264        | Shim 6x25x0,10              | X     |
| 6   | 48600967        | Shim 6x20x0,2 DELTA         | X     |
| 6   | 48601847        | Washer 6x25x1,5             | X     |
| 6   | 48601707        | Sinus shim plate 6X30       | X     |
| 6   | S64060000400000 | Shim 6x14x0,3               | X     |
| 6   | S64060000500000 | Shim 6x13x0,25              | X     |
| 6   | S64060000600000 | Shim 6x17x0,2               | X     |
| 8   | 40540477        | Shim 8x18x0,40              | X     |
| 8   | 43570120        | Shim 8x18x0,10              | X     |
| 8   | 44916098        | WASHER 8,4X16X0,8           | X     |
| 8   | 44916130        | WASHER 8,2X15X1             | X     |
| 8   | 44916180        | WASHER 8,2X11X1             | X     |
| 8   | 48600214        | Shim 8x16x0,10              | X     |
| 8   | 48600385        | SHIM 8x14x0,25              | X     |
| 8   | 48600346        | Shim 8x11x0,20              | X     |
| 8   | 48600215        | Shim 8x20x0,10              | X     |
| 8   | 48600485        | SHIM 8X10X0,10              | X     |
| 8   | 48601402        | SHIM 8X13X0,10              | X     |
| 8   | 48600350        | Shim 8x16x0,15              | X     |
| 8   | 48600061        | Shim 8x24x0,40              | X     |
| 8   | 48600062        | CHECK VALVE 8X24X0,1        | X     |
| 8   | 48600216        | Shim 8x22x0,10              | X     |
| 8   | 48600480        | Shim 8x10x0,20              | X     |
| 8   | 48600555        | SHIM 8X16X0,20              | X     |
| 8   | 48600213        | SHIM 8X14X0,10              | X     |
| 8   | 48600357        | Shim 8x11x0,10              | X     |

080000190

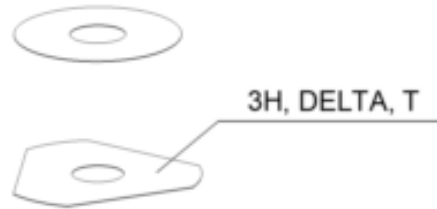
4668

\* NEW PART

X ON DEMAND



- ⑤ Ø 5 mm
- ⑥ Ø 6 mm
- ⑧ Ø 8 mm
- ⑩ Ø 10 mm
- ⑫ Ø 12 mm
- ⑭ Ø 14-14,5 mm
- ⑯ Ø 16 mm
- ⑳ Ø 20 mm
- ㉑ Ø 21 mm
- ㉒ Ø 22 mm
- ㉓ Ø 23 mm
- ㉔ Ø 24,5 mm
- ㉘ Ø 28,25-28,5 mm
- ㉚ Ø 32 mm
- ㉜ Ø 52 mm



| POS | PARTNUMBER | PARTNAME             | PIECE |
|-----|------------|----------------------|-------|
| 8   | 48600351   | Shim 8x12x0,10       | X     |
| 8   | 48600607   | Shim 8x20x0,40       | X     |
| 8   | 48601095   | Shim 8x17x0,10       | X     |
| 8   | 48600352   | CHECK VALVE 8X11X0,4 | X     |
| 8   | 48601860   | Washer 8x11x0,15     | X     |
| 8   | 48601266   | Shim 8x26x0,40       | X     |
| 8   | 46180640   | Shim 8x16x0,3        | X     |
| 8   | 43578166   | Washer 8x20x1        | X     |
| 8   | 48601113   | Shim 8x15x0,1        | X     |
| 8   | 48600218   | Shim 8X11X0,40       | X     |
| 8   | 48600964   | Shim 8x20x0,15       | X     |
| 8   | 89080008   | Shim 8x30x0,10       | X     |
| 8   | 48601859   | Shim 8x10x0,15       | X     |
| 8   | 48601863   | Shim 8x14x0,15       | X     |
| 8   | 89080001   | Shim 8x18x0,15       | X     |
| 8   | 89080002   | Shim 8x22x0,15       | X     |
| 8   | 89080003   | Shim 8x24x0,15       | X     |
| 8   | 89080005   | Shim 8x26x0,15       | X     |
| 8   | 89080007   | Shim 8x28x0,15       | X     |
| 8   | 89080009   | Shim 8x30x0,15       | X     |
| 8   | 48600386   | Shim 8X12X0,25       | X     |
| 8   | 48601862   | Shim 8x13x0,15       | X     |
| 8   | 89080004   | Shim 8x26x0,10       | X     |
| 8   | 89080006   | Shim 8x28x0,10       | X     |
| 10  | 36120284   | SHIM 10X16X0,10      | X     |
| 10  | 36120298   | SHIM 10X16X0,2       | X     |
| 10  | 36120312   | SHIM 10X16X0,30      | X     |
| 10  | 36120314   | SHIM 10X18X0,30      | X     |
| 10  | 36120325   | SHIM 10X19X0,15      | X     |
| 10  | 36120327   | SHIM 10X23X0,15      | X     |
| 10  | 36120328   | SHIM 10X25X0,15      | X     |
| 10  | 36120329   | SHIM 10X27X0,15      | X     |
| 10  | 36120330   | SHIM 10X29X0,15      | X     |
| 10  | 36120331   | SHIM 10X31X0,15      | X     |
| 10  | 36120332   | SHIM 10X33X0,15      | X     |
| 10  | 36120334   | SHIM 10X21X0,20      | X     |
| 10  | 36120335   | SHIM 10X23X0,20      | X     |
| 10  | 36120336   | SHIM 10X25X0,20      | X     |

080000190

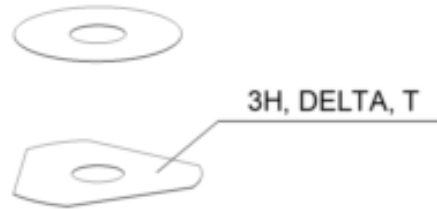
4668

\* NEW PART

X ON DEMAND



- ⑤ Ø 5 mm
- ⑥ Ø 6 mm
- ⑧ Ø 8 mm
- ⑩ Ø 10 mm
- ⑫ Ø 12 mm
- ⑭ Ø 14-14,5 mm
- ⑯ Ø 16 mm
- ⑳ Ø 20 mm
- ㉑ Ø 21 mm
- ㉒ Ø 22 mm
- ㉓ Ø 23 mm
- ㉔ Ø 24,5 mm
- ㉘ Ø 28,25-28,5 mm
- ㉚ Ø 32 mm
- ㉜ Ø 52 mm



| POS | PARTNUMBER | PARTNAME          | PIECE |
|-----|------------|-------------------|-------|
| 10  | 36120337   | SHIM 10X27X0,20   | X     |
| 10  | 36120338   | SHIM 10X29X0,20   | X     |
| 10  | 36120339   | SHIM 10X31X0,20   | X     |
| 10  | 36120340   | SHIM 10X33X0,20   | X     |
| 10  | 36120342   | SHIM 10X21X0,25   | X     |
| 10  | 36120343   | SHIM 10X23X0,25   | X     |
| 10  | 36120344   | SHIM 10X25X0,25   | X     |
| 10  | 36120345   | SHIM 10X27X0,25   | X     |
| 10  | 36120349   | SHIM 10X19X0,30   | X     |
| 10  | 36120350   | SHIM 10X21X0,30   | X     |
| 10  | 36120313   | SHIM 10X17X0,30   | X     |
| 10  | 36120354   | SHIM 10X29X0,30   | X     |
| 10  | 40140275   | WASHER 10X35X0,15 | X     |
| 10  | 48601708   | Shim 10x30x0,40   | X     |
| 10  | 36120346   | SHIM 10X29X0,25   | X     |
| 10  | 36120355   | SHIM 10X31X0,30   | X     |
| 10  | 36120348   | SHIM 10X33X0,25   | X     |
| 10  | 36120311   | SHIM 10X15X0,30   | X     |
| 10  | 36120292   | SHIM 10X17X0,15   | X     |
| 10  | 36120326   | SHIM 10X21X0,15   | X     |
| 10  | 36120286   | SHIM 10X18X0,10   | X     |
| 10  | 36120347   | SHIM 10X31X0,25   | X     |
| 10  | 36120333   | SHIM 10X19X0,20   | X     |
| 10  | 36120351   | SHIM 10X23X0,30   | X     |
| 10  | 36120352   | SHIM 10X25X0,30   | X     |
| 10  | 36120353   | SHIM 10X27X0,30   | X     |
| 10  | 36120356   | SHIM 10X33X0,30   | X     |
| 10  | 50180395   | Washer 10x16x1    | X     |
| 10  | 36120604   | Washer 10x22x2,5  | X     |
| 10  | 36120299   | SHIM 10X17X0,20   | X     |
| 12  | 46810490   | SHIM 12X24X0,20   | X     |
| 12  | 46810491   | Shim 12x26x0,20   | X     |
| 12  | 46810492   | Shim 12x28x0,20   | X     |
| 12  | 46810493   | SHIM 12X30X0,20   | X     |
| 12  | 46810494   | Shim 12x32x0,20   | X     |
| 12  | 46810495   | Shim 12x34x0,20   | X     |
| 12  | 46810496   | SHIM 12X36X0,20   | X     |
| 12  | 46810497   | SHIM 12X38X0,20   | X     |

080000190

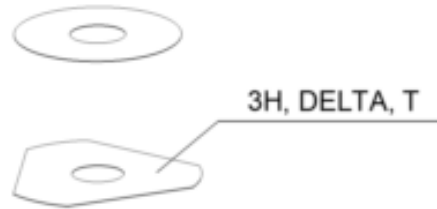
4668

\* NEW PART

X ON DEMAND



- ⑤ Ø 5 mm
- ⑥ Ø 6 mm
- ⑧ Ø 8 mm
- ⑩ Ø 10 mm
- ⑫ Ø 12 mm
- ⑭ Ø 14-14,5 mm
- ⑯ Ø 16 mm
- ⑳ Ø 20 mm
- ㉑ Ø 21 mm
- ㉒ Ø 22 mm
- ㉓ Ø 23 mm
- ㉔ Ø 24,5 mm
- ㉘ Ø 28,25-28,5 mm
- ㉚ Ø 32 mm
- ㉜ Ø 52 mm



| POS | PARTNUMBER | PARTNAME             | PIECE |
|-----|------------|----------------------|-------|
| 12  | 46810498   | Shim 12x40x0,20      | X     |
| 12  | 46810499   | Shim 12x24x0,25      | X     |
| 12  | 46810500   | SHIM 12X26X0,25      | X     |
| 12  | 46810501   | SHIM 12X28X0,25      | X     |
| 12  | 46810502   | Shim 12x30x0,25      | X     |
| 12  | 46810504   | SHIM 12X34X0,25      | X     |
| 12  | 46810505   | SHIM 12X36X0,25      | X     |
| 12  | 46810507   | Shim 12x40x0,25      | X     |
| 12  | 46810508   | SHIM 12X24X0,30      | X     |
| 12  | 46810509   | SHIM 12X26X0,30      | X     |
| 12  | 46810510   | SHIM 12X28X0,30      | X     |
| 12  | 46810512   | SHIM 12X32X0,30      | X     |
| 12  | 46810513   | SHIM 12X34X0,30      | X     |
| 12  | 46810518   | SHIM 12X26X0,15      | X     |
| 12  | 46810519   | SHIM 12X28X0,15      | X     |
| 12  | 46810520   | SHIM 12X30X0,15      | X     |
| 12  | 46810521   | SHIM 12X32X0,15      | X     |
| 12  | 46810522   | SHIM 12X34X0,15      | X     |
| 12  | 46810523   | SHIM 12X36X0,15      | X     |
| 12  | 46810524   | SHIM 12X38X0,15      | X     |
| 12  | 46810525   | SHIM 12X40X0,15      | X     |
| 12  | 46810604   | SHIM 12X20X0,10      | X     |
| 12  | 46810606   | SHIM 12X22X0,10      | X     |
| 12  | 46810607   | SHIM 12X23X0,10      | X     |
| 12  | 46810608   | SHIM 12X24X0,10      | X     |
| 12  | 46810610   | Shim 12x17x0,15      | X     |
| 12  | 46810611   | SHIM 12X18X0,15      | X     |
| 12  | 46810612   | SHIM 12X19X0,15      | X     |
| 12  | 46810615   | SHIM 12X22X0,15      | X     |
| 12  | 46810636   | BACKPLATE 12X16X0,30 | X     |
| 12  | 46810637   | Shim 12x17x0,30      | X     |
| 12  | 46810638   | Shim 12x18x0,30      | X     |
| 12  | 46810639   | SHIM 12X19X0,30      | X     |
| 12  | 46810641   | Shim 12X21X0,30      | X     |
| 12  | 46811582   | Shim 12x30x0,10      | X     |
| 12  | 46810631   | SHIM 12X20X0,25      | X     |
| 12  | 46810633   | SHIM 12X22X0,25      | X     |
| 12  | 46811580   | Shim 12x32x0,10      | X     |

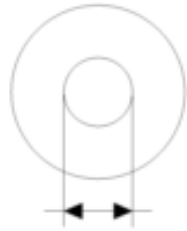
080000190

4668

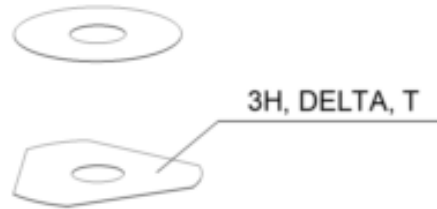
\* NEW PART

X ON DEMAND





- ⑤ Ø 5 mm
- ⑥ Ø 6 mm
- ⑧ Ø 8 mm
- ⑩ Ø 10 mm
- ⑫ Ø 12 mm
- ⑭ Ø 14-14,5 mm
- ⑯ Ø 16 mm
- ⑳ Ø 20 mm
- ㉑ Ø 21 mm
- ㉒ Ø 22 mm
- ㉓ Ø 23 mm
- ㉔ Ø 24,5 mm
- ㉘ Ø 28,25-28,5 mm
- ㉚ Ø 32 mm
- ㉜ Ø 52 mm



| POS | PARTNUMBER | PARTNAME              | PIECE |
|-----|------------|-----------------------|-------|
| 12  | 46810503   | SHIM 12X32X0,25       | X     |
| 12  | 46810517   | SHIM 12X24X0,15       | X     |
| 12  | 46810856   | Shim 12x20x0,30       | X     |
| 12  | 46811258   | Washer 12x24x2,5      | X     |
| 12  | 46812018   | Shim 12x42x0,25       | X     |
| 12  | 46812015   | Shim 12x44x0,20       | X     |
| 12  | 46810613   | SHIM 12X20X0,15       | X     |
| 12  | 46810623   | SHIM 12X21X0,20       | X     |
| 12  | 46810624   | SHIM 12X22X0,20       | X     |
| 12  | 46810642   | SHIM 12X22X0,30       | X     |
| 12  | 46810643   | SHIM 12X23X0,30       | X     |
| 12  | 46811629   | Shim 12x28x0,10       | X     |
| 12  | 46810511   | SHIM 12X30X0,30       | X     |
| 12  | 46810514   | SHIM 12X36X0,30       | X     |
| 12  | 46810506   | SHIM 12X38X0,25       | X     |
| 12  | 46810515   | SHIM 12X38X0,30       | X     |
| 12  | 46812017   | Shim 12x42x0,20       | X     |
| 12  | 46812016   | Shim 12x44x0,25       | X     |
| 12  | 46810622   | SHIM 12X20X0,20       | X     |
| 12  | 46811635   | Shim 12x26x0,10       | X     |
| 12  | 50181296   | Shim 12x45x0,20       | X     |
| 12  | 46810620   | Shim 12x18x0,2        | X     |
| 12  | 46810616   | Shim 12x23x0,15       | X     |
| 12  | 46810625   | SHIM 12X23X0,20       | X     |
| 12  | 50181297   | Adjustment 12x45x0,25 | X     |
| 12  | 46810603   | SHIM 12X19X0,10       | X     |
| 12  | 46180712   | SHIM 12X36X0,10       | X     |
| 12  | 46810614   | SHIM 12X21X0,15       | X     |
| 12  | 46810628   | SHIM 12X17X0,25       | X     |
| 12  | 46810634   | SHIM 12X23X0,25       | X     |
| 14  | 35480479   | Shim 14x26x0,40       | X     |
| 14  | 46811046   | Washer 14,5x35,4x1,25 | X     |
| 16  | 50180023   | SHIM 16X23X0,20       | X     |
| 16  | 50180030   | Shim 16x23x0,25       | X     |
| 16  | 50180006   | Shim 16x20x0,10       | X     |
| 16  | 50180007   | SHIM 16X21X0,10       | X     |
| 16  | 50180028   | SHIM 16X21X0,25       | X     |
| 16  | 50180210   | Washer 16x21x1        | X     |

080000190

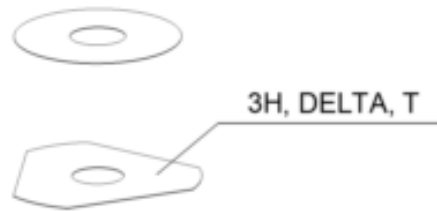
4668

\* NEW PART

X ON DEMAND



- ⑤ Ø 5 mm
- ⑥ Ø 6 mm
- ⑧ Ø 8 mm
- ⑩ Ø 10 mm
- ⑫ Ø 12 mm
- ⑭ Ø 14-14,5 mm
- ⑯ Ø 16 mm
- ⑳ Ø 20 mm
- ㉑ Ø 21 mm
- ㉒ Ø 22 mm
- ㉓ Ø 23 mm
- ㉔ Ø 24,5 mm
- ㉘ Ø 28,25-28,5 mm
- ㉚ Ø 32 mm
- ㉜ Ø 52 mm



| POS | PARTNUMBER | PARTNAME          | PIECE |
|-----|------------|-------------------|-------|
| 16  | 50180008   | SHIM 16X22X0,10   | X     |
| 16  | 50180022   | Shim 16x22x0,20   | X     |
| 16  | 50180037   | SHIM 16X23X0,30   | X     |
| 16  | 50180038   | SHIM 16X24X0,30   | X     |
| 16  | 50180032   | Shim 16x25x0,25   | X     |
| 16  | 50180039   | SHIM 16X25X0,30   | X     |
| 16  | 50180012   | SHIM 16X26X0,10   | X     |
| 16  | 50180019   | SHIM 16X26X0,15   | X     |
| 16  | 50180026   | SHIM 16X26X0,20   | X     |
| 16  | 50180040   | SHIM 16X26X0,30   | X     |
| 16  | 50180041   | SHIM 16X28X0,10   | X     |
| 16  | 50180045   | Shim 16x28x0,15   | X     |
| 16  | 50180054   | Shim 16x28x0,2    | X     |
| 16  | 50180063   | SHIM 16X28X0,25   | X     |
| 16  | 50180072   | SHIM 16X28X0,30   | X     |
| 16  | 50180046   | SHIM 16X30X0,15   | X     |
| 16  | 50180055   | SHIM 16X30X0,20   | X     |
| 16  | 50180064   | Shim 16x30x0,25   | X     |
| 16  | 50180073   | SHIM 16X30X0,30   | X     |
| 16  | 50180047   | Shim 16X32X0,15   | X     |
| 16  | 50180056   | Shim 16x32x0,2    | X     |
| 16  | 50180065   | SHIM 16X32X0,25   | X     |
| 16  | 50180074   | SHIM 16X32X0,30   | X     |
| 16  | 50180044   | SHIM 16X34X0,10   | X     |
| 16  | 50180048   | SHIM 16X34X0,15   | X     |
| 16  | 50180057   | Shim 16x34x0,2 y5 | X     |
| 16  | 50180066   | SHIM 16X34X0,25   | X     |
| 16  | 50180075   | SHIM 16X34X0,30   | X     |
| 16  | 50180049   | Shim 16x36x0,15   | X     |
| 16  | 50180058   | Shim 16x36x0,20   | X     |
| 16  | 50180067   | SHIM 16X36X0,25   | X     |
| 16  | 50180076   | SHIM 16X36X0,30   | X     |
| 16  | 50180050   | SHIM 16X38X0,15   | X     |
| 16  | 50180059   | SHIM 16X38X0,20   | X     |
| 16  | 50180068   | SHIM 16X38X0,25   | X     |
| 16  | 50180077   | SHIM 16X38X0,30   | X     |
| 16  | 50180051   | Shim 16x40x0,15   | X     |
| 16  | 50180060   | Shim 16x40x0,2    | X     |

080000190

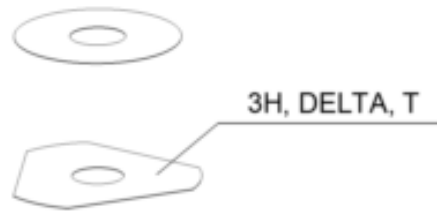
4668

\* NEW PART

X ON DEMAND



- ⑤ Ø 5 mm
- ⑥ Ø 6 mm
- ⑧ Ø 8 mm
- ⑩ Ø 10 mm
- ⑫ Ø 12 mm
- ⑭ Ø 14-14,5 mm
- ⑯ Ø 16 mm
- ⑳ Ø 20 mm
- ㉑ Ø 21 mm
- ㉒ Ø 22 mm
- ㉓ Ø 23 mm
- ㉔ Ø 24,5 mm
- ㉘ Ø 28,25-28,5 mm
- ㉚ Ø 32 mm
- ㉜ Ø 52 mm



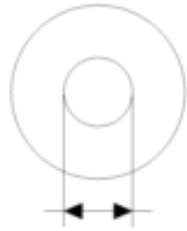
| POS | PARTNUMBER | PARTNAME                    | PIECE |
|-----|------------|-----------------------------|-------|
| 16  | 50180069   | SHIM 16X40X0,25             | X     |
| 16  | 50180078   | SHIM 16X40X0,30             | X     |
| 16  | 50180052   | SHIM 16X42X0,15             | X     |
| 16  | 50180061   | Shim 16x42x0,2              | X     |
| 16  | 50180070   | SHIM 16X42X0,25             | X     |
| 16  | 50180079   | SHIM 16X42X0,30             | X     |
| 16  | 50180053   | SHIM 16X44X0,15             | X     |
| 16  | 50180062   | Shim 16X44X0,20             | X     |
| 16  | 50180071   | SHIM 16X44X0,25             | X     |
| 16  | 50180080   | SHIM 16X44X0,30             | X     |
| 16  | 50180177   | Springwasher 8,2x16x0,6     | X     |
| 16  | 50180033   | Shim 16x26x0,25             | X     |
| 16  | 50180034   | Shim 16x20x0,30             | X     |
| 16  | 50180035   | Shim 16x21x0,30             | X     |
| 16  | 50180036   | Shim 16x22x0,30             | X     |
| 16  | 50180043   | SHIM 16X32X0,10             | X     |
| 16  | 50180024   | Shim 16x24x0,20             | X     |
| 16  | 50180027   | SHIM 16X20X0,25             | X     |
| 16  | 50180031   | Shim 16x24x0,25             | X     |
| 16  | 50180029   | SHIM                        | X     |
| 16  | 50180010   | SHIM 16X24X0,10             | X     |
| 16  | 50180021   | SHIM 16X21X0,20             | X     |
| 16  | 50180025   | SHIM 16X25X0,20             | X     |
| 16  | 50180383   | Washer 16x19x0,3            | X     |
| 16  | 50180014   | SHIM                        | X     |
| 16  | 50180013   | SHIM 16X20X0,15             | X     |
| 16  | 50180015   | DISTANCER PLATE 16X22X0,15  | X     |
| 16  | 50180017   | Shim 16x24x0,15             | X     |
| 16  | 50180009   | DISTANCER PLATE 16X23X0,10  | X     |
| 16  | 50180016   | SHIM 16X23X0,15             | X     |
| 20  | 48600212   | PRESSURE-RING 20X16,25X0,20 | X     |
| 20  | 50180666   | SHIM 20X24X0,30             | X     |
| 20  | 50180654   | SHIM 20X36X0,20             | X     |
| 20  | 50180655   | SHIM 20X38X0,20             | X     |
| 20  | 50180656   | SHIM 20X40X0,20             | X     |
| 20  | 50180665   | SHIM 20X40X0,25             | X     |
| 20  | 50180662   | SHIM 20X34X0,25             | X     |
| 20  | 50180657   | SHIM 20X24X0,25             | X     |

080000190

4668

\* NEW PART

X ON DEMAND



5 Ø 5 mm

6 Ø 6 mm

8 Ø 8 mm

10 Ø 10 mm

12 Ø 12 mm

14 Ø 14-14,5 mm

16 Ø 16 mm

20 Ø 20 mm

21 Ø 21 mm

22 Ø 22 mm

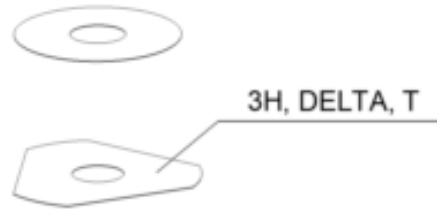
23 Ø 23 mm

24 Ø 24,5 mm

28 Ø 28,25-28,5 mm

32 Ø 32 mm

52 Ø 52 mm



| POS | PARTNUMBER | PARTNAME                 | PIECE |
|-----|------------|--------------------------|-------|
| 20  | 50180653   | SHIM 20X34X0,20          | X     |
| 20  | 50180634   | RING 20X22,9X1           | X     |
| 20  | 50180650   | SHIM 20,2X28X0,20        | X     |
| 20  | 50180663   | SHIM 20X36X0,25          | X     |
| 20  | 50180664   | SHIM 20X38X0,25          | X     |
| 20  | 50180659   | SHIM 20,2X28X0,25        | X     |
| 21  | 50180209   | Shim 21x36x0,25          | X     |
| 22  | 50180330   | Shim 18x22x0,3           | X     |
| 23  | 50180635   | SHUTTLE VALVE 23X38X0,25 | X     |
| 23  | 50180578   | SHIM D23XD16X2           | X     |
| 24  | 40541061   | WASHER 24,5X34X2         | X     |
| 28  | 36120469   | SHIM 28,5X14X2           | X     |
| 28  | 36120471   | SHIM 28,5X14X5           | X     |
| 28  | 89000001   | Shim 28,25x34x0,30       | X     |
| 28  | 46811636   | Shim 28,25x32x0,30       | X     |
| 32  | 48600460   | WASHER 32X42X2,5         | X     |
| 32  | 50600065   | SHIM 32X45X2             | X     |
| 32  | 46811637   | Shim 32,25x36x0,30       | X     |
| 52  | 50600002   | Washer 52x59x2,2         | X     |

080000190

4668

\* NEW PART

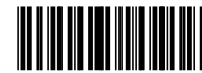
X ON DEMAND

A large, empty rectangular box with a thin black border, occupying most of the page. It is intended for handwritten notes.

A large, empty rectangular box with a thin black border, occupying the majority of the page. It is intended for the user to write their notes.



# KTM.COM



F7403V7EN

KTM Sportmotorcycle GmbH  
5230 Mattighofen, Austria  
[www.ktm.com](http://www.ktm.com)

**KTM** POWERPARTS

**KTM** POWERWEAR

**KTM** ORIGINAL SPARE PARTS

