

790 ADVENTURE R 2022 2022

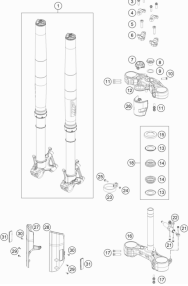
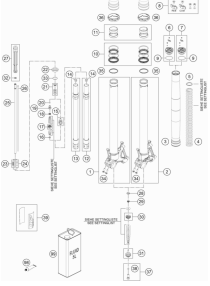
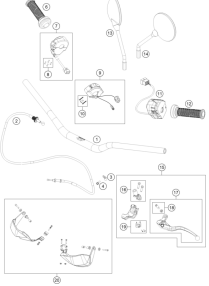

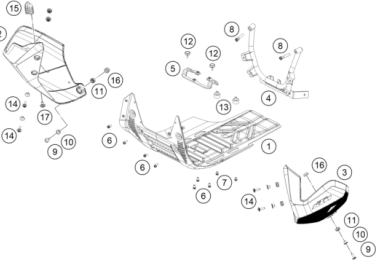
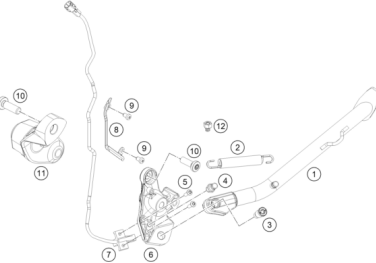
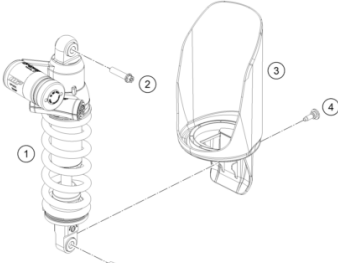
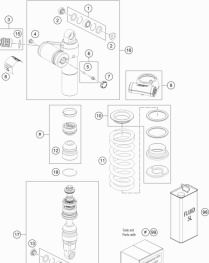
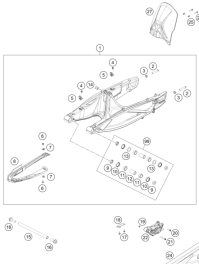
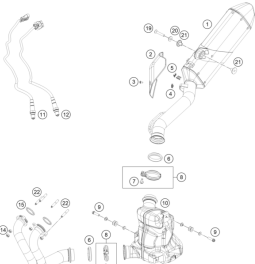
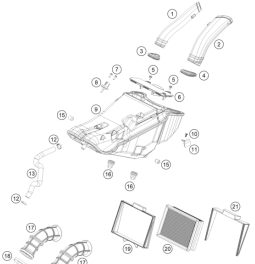
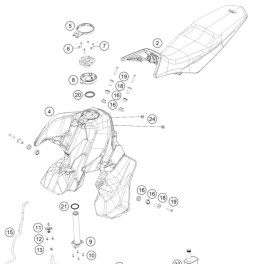
ART.-NR.: F9688V3EN

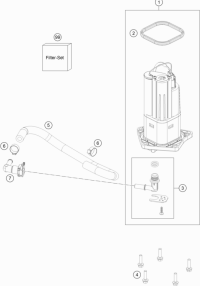
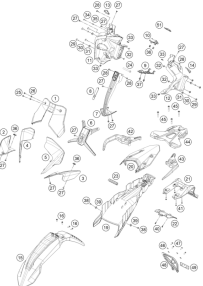
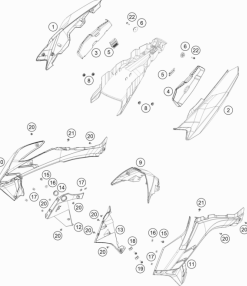
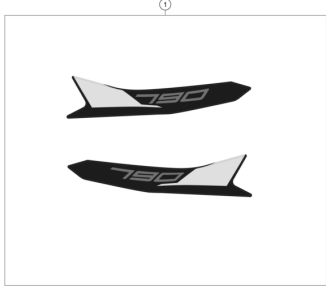
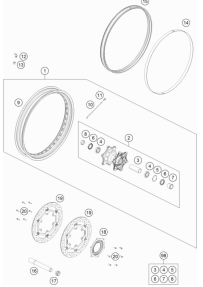
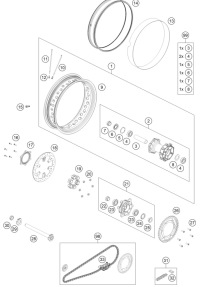

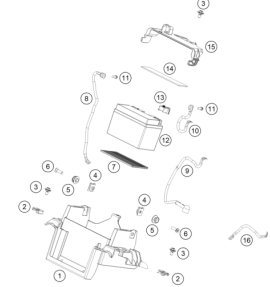
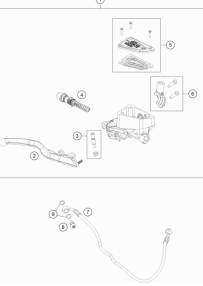
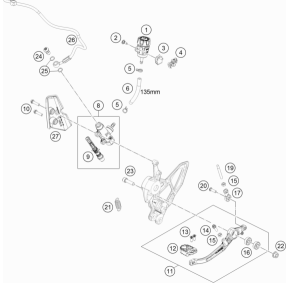
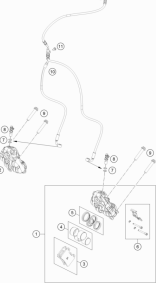
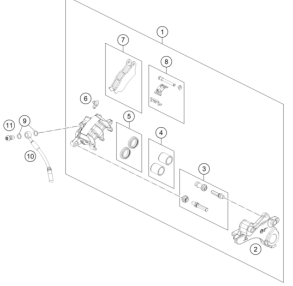


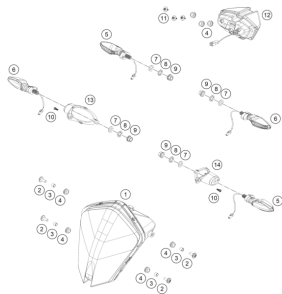
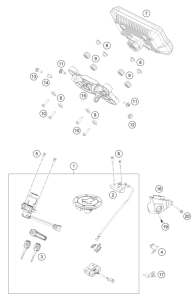
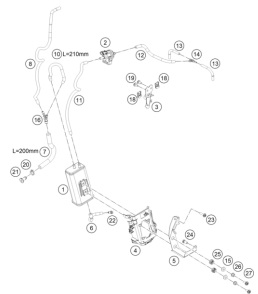
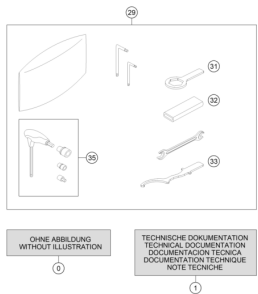
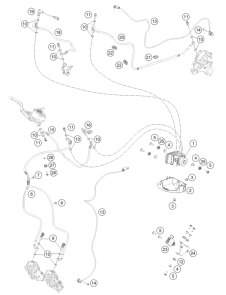
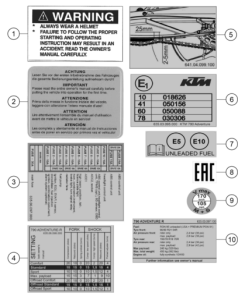


All information contained is without obligation. KTM Sportmotorcycle GmbH particularly reserves the right to modify any equipment, technical specifications, prices, colors, shapes, materials, services, service work, constructions, equipment and the like so as to adapt them to local conditions or to cancel any of the above items, all without previous announcement and without giving reasons. KTM may stop manufacturing certain models without previous notice. KTM shall not be held liable for any deviations of availability and/or ability to deliver, illustrations, descriptions, printing and/or other errors. The illustrated models partly contain extra equipment, which is not applied to standard models.

© by KTM Sportmotorcycle GmbH, Mattighofen AUSTRIA; All rights reserved; Reprint, also in extracts, with written allowance of KTM Sportmotorcycle GmbH, Mattighofen only.

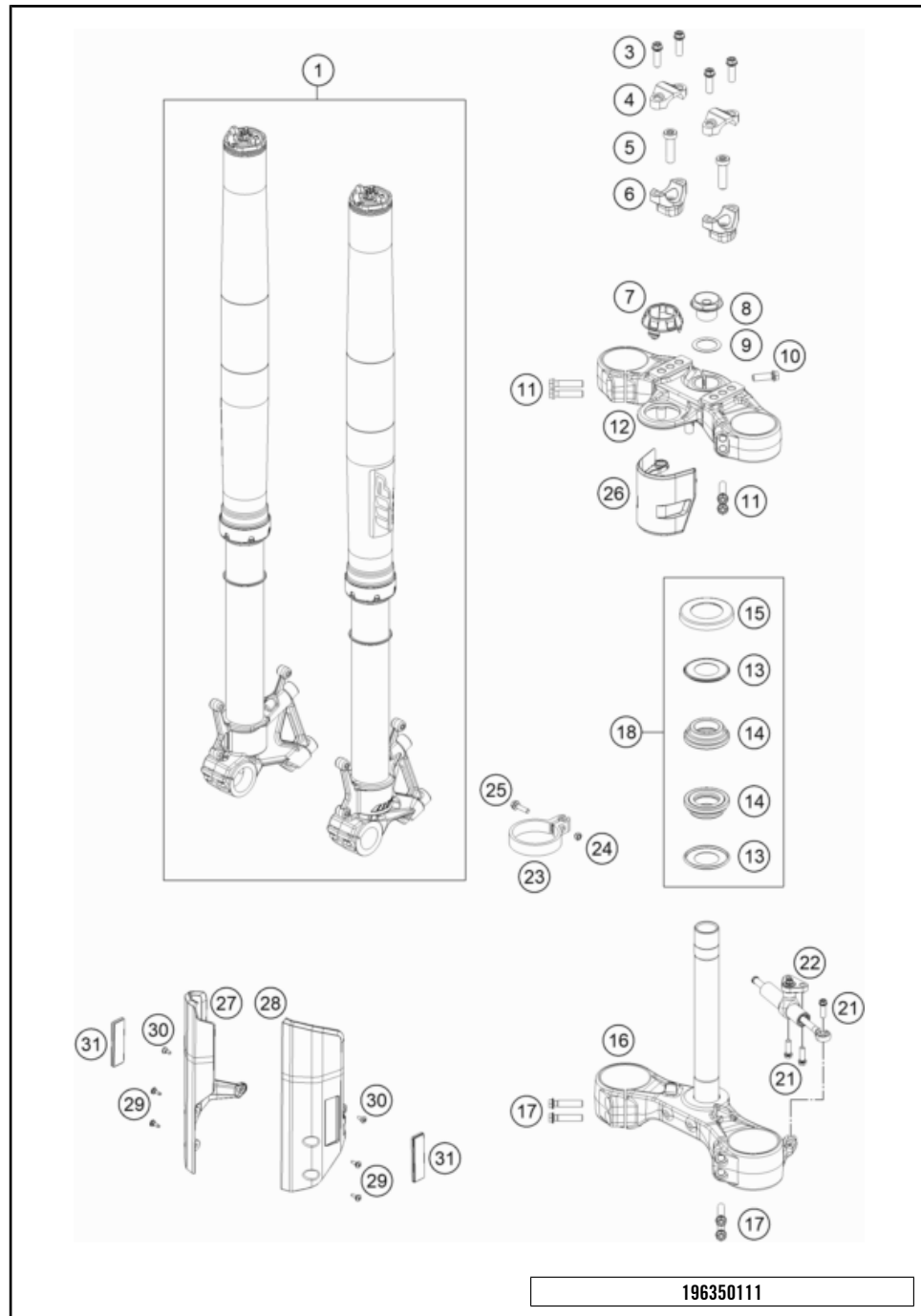
<p>FRONT FORK, TRIPLE CLAMP</p>  <p>4</p>	<p>FRONT FORK DISASSEMBLED</p>  <p>5</p>	<p>HANDLEBAR, CONTROLS</p>  <p>7</p>	<p>FRAME</p>  <p>8</p>
<p>ENGINE GUARD</p>  <p>10</p>	<p>SIDE / CENTER STAND</p>  <p>11</p>	<p>SHOCK ABSORBER</p>  <p>12</p>	<p>SHOCK ABSORBER DISASSEMBLED</p>  <p>13</p>
<p>SWING ARM</p>  <p>14</p>	<p>EXHAUST SYSTEM</p>  <p>15</p>	<p>AIR FILTER</p>  <p>16</p>	<p>TANK, SEAT</p>  <p>17</p>

<p>FUEL PUMP</p>  <p>18</p>	<p>MASK, FENDERS</p>  <p>19</p>	<p>SIDE TRIM</p>  <p>21</p>	<p>DECAL</p>  <p>22</p>
<p>FRONT WHEEL</p>  <p>23</p>	<p>REAR WHEEL</p>  <p>24</p>	<p>WIRING HARNESS</p>  <p>25</p>	<p>BATTERY</p>  <p>26</p>
<p>FRONT BRAKE CONTROL</p>  <p>27</p>	<p>REAR BRAKE CONTROL</p>  <p>28</p>	<p>FRONT BRAKE CALIPER</p>  <p>29</p>	<p>REAR BRAKE CALIPER</p>  <p>30</p>

<p>LIGHTING SYSTEM</p>  <p style="text-align: right;">31</p>	<p>INSTRUMENTS / LOCK SYSTEM</p>  <p style="text-align: right;">32</p>	<p>EVAPORATIVE CANISTER</p>  <p style="text-align: right;">33</p>	<p>SEPERATE ENCLOSURE</p>  <p style="text-align: right;">34</p>
<p>ANTIBLOCK SYSTEM ABS</p>  <p style="text-align: right;">36</p>	<p>TECHNIC INFORMATION STICKER</p>  <p style="text-align: right;">37</p>		

FRONT FORK, TRIPLE CLAMP

790 ADVENTURE R 2022 2022

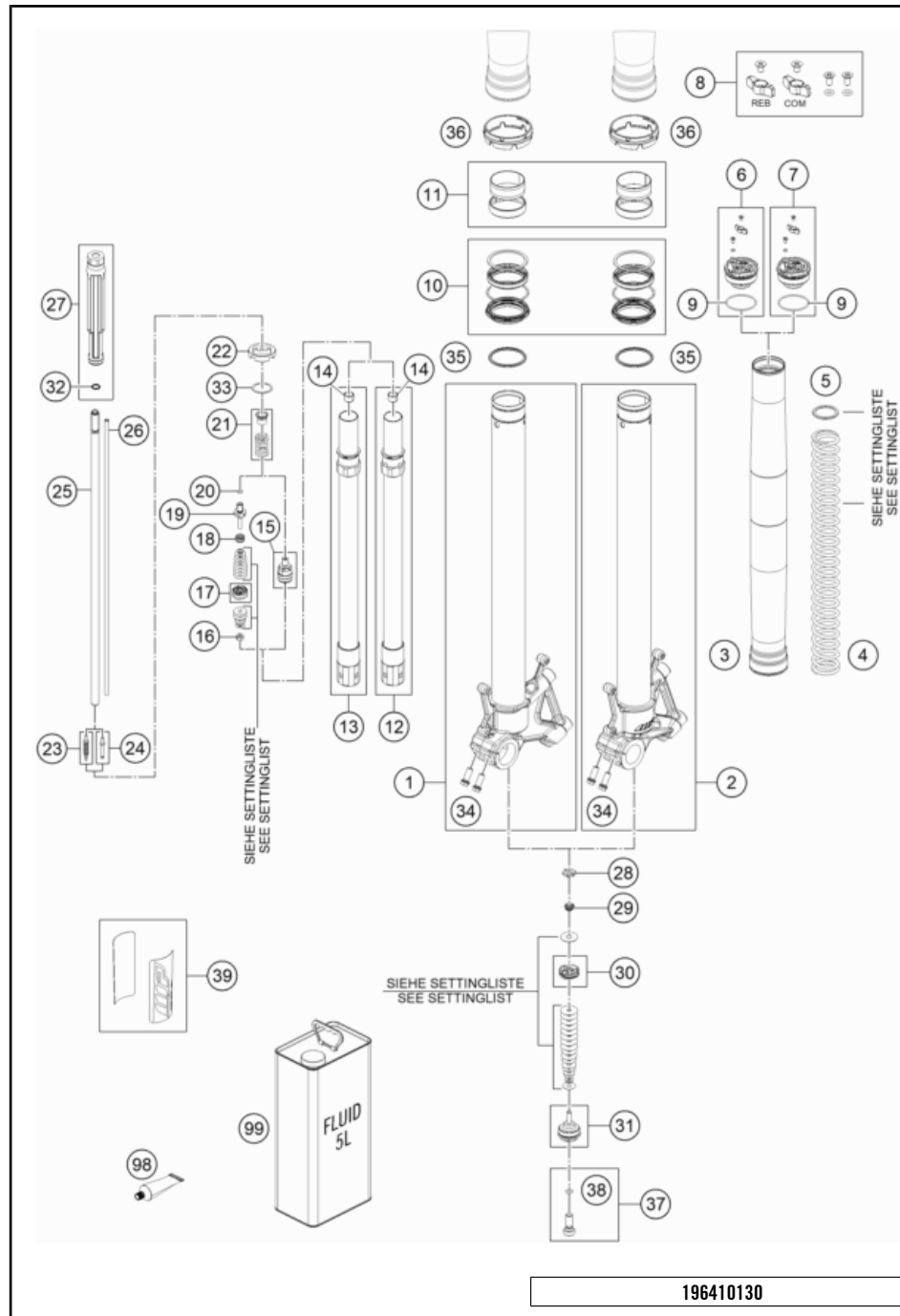


POS	PARTNUMBER	PARTNAME	PIECE
1	14188S5401	Fork KTM 790 Adventure R 19	1
3	0025080256	HH collar screw M8x25	4
4	7720103800030	HANDLEBAR CLAMP 28MM	2
5	0032100356S	AH-COLLAR SCREW M10X35 ISA45	2
6	5940103903230	HANDLEBAR SUPPORT D=28 H=32 BL	2
7	63501045010	Ignition lock cover	1
8	6900103600033	Steering head screw	1
9	0988253505	thrust wash DIN0988-25x35x0,5	1
10	0015080256S	HH COLLAR SCREW M8X25 WS=10	1
11	0025080306	HH collar screw M8x30	4
12	6350103403030S	Top triple clamp	1
13	69001084100	Steering head gasket	2
14	69001181000	STEERINGHEAD KPL.17	2
15	69001086100	PROT. RING STEER. HEAD BEARING	1
16	6350103203030S	Bottom triple clamp cpl.	1
17	0025080356	HH collar screw M8x35 TX40	4
18	69001181010	Steering head rep. Kit	x
21	0025080256S	HH COLLAR SCREW M8X25 TX40	3
22	16181S55E	Steering damper790 Adventure cpl.	1
23	54601099000	SPEEDOMETER CABLE GUIDE MARZO.	2
24	0985050003	SELF LOCKING NUT DIN0985-M 5	2
25	0025050206	HH collar screw M5x20 TX30	2
26	63511066010	Ignition lock cover	1
27	63501093000C1A	Fork protector right	1
28	63501092000C1A	Fork protector left	1
29	69008021060	special screw M5x17	4
30	69008021160	special screw M5x12	2
31	60012080100	SIDE REFLECTOR YELLOW "CEV"	2

196350111

51953

* NEW PART X ON DEMAND



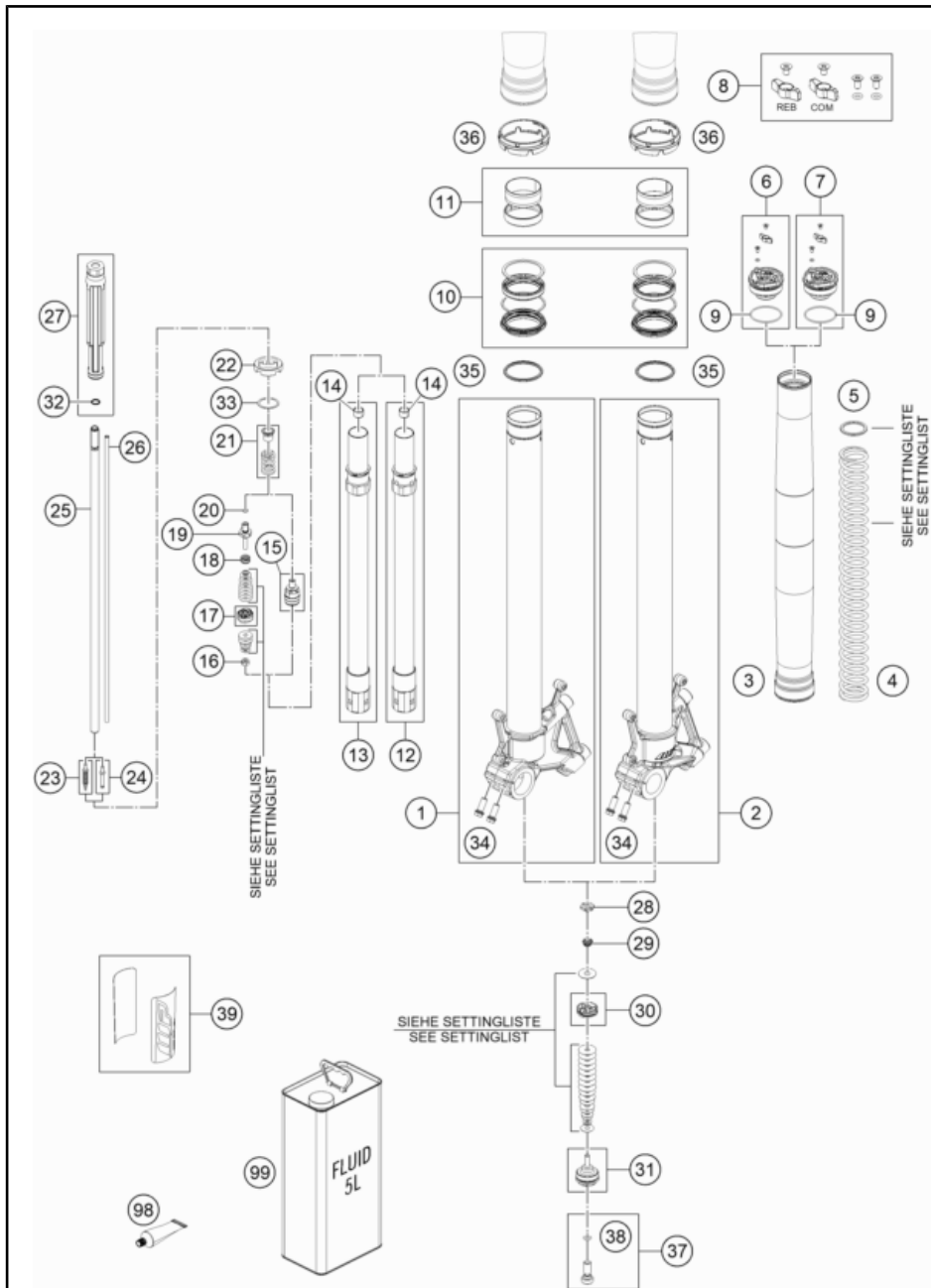
POS	PARTNUMBER	PARTNAME	PIECE
1	48601952S1	axle clamp right d48 25mm cpl	1
2	48601951S1	axle clamp left d48 25mm cpl.	1
3	48601794	Outer tube L567 D54 / D60	2
4	91410162S	mainspring (44) 6.2-460 set fork	x
4	91410142	Mainspring (44) 6,7-460 fork	1
4	91410163S	mainspring (44) 7.2-460 set fork	x
5	48600458	Washer 35x43x1,5 plastic	x
5	48600456	Washer 35x43x2,5 plastic	x
5	48600457	Preload bush 35x43x3,5	x
6	48602028S4	screw cap M51x1,5 rebound cpl.	1
7	48602028S3	screw cap M51x1.5 compression cpl.	1
8	RP10021	Adjuster kit screw cap	x
9	48600048	O-ring 46x2 NBR70 siliconized yellow	2
10	RP10012	Sealkit 48mm SKF black	x
11	R14047	Guide bushing set fork 48mm	x
12	48600763S3	Tube L350 with screwsleeve and hole	1
13	48600763S4	Tube L350 with screwsleeve	1
14	48600430	Guide bushing 12x14x10	2
15	48601843S2	Tap compression cpl.	1
16	40540486	Nut M6x0,5 h6,5 WAF10 rebound	1
17	48602002S	Midvalve piston assembly d23	1
18	35480377	Spring (11,7) 1,5-8 valve	1
19	48600576	Tap 6x46 rebound	1
20	48600299	O-ring 6x1,2 NBR70	1
21	48601929S	rebound spring C60 cpl	2
22	48601922	spring support ring	2
23	48601096S	Needle 4,5x43,6 cpl.	1
24	48601558S	Needle 4,5x38,2 cpl.	1
25	48601923	Piston rod 12x501	2
26	48601924	Adjuster tube L=471.5	2
27	S228700003S0100	Stop 12,4x31,9x200,3 cpl.	2
28	48600163	Nut valve M6x0,5 h6,5 WAF17	2
29	48600202	Spring (8,5) 16,5 valve	2
30	48601934S	Piston 6x27,3x9 compression cpl.	2
31	48601921	Tap 6x42,5 base valve	2
32	04500003	O-ring 11x2,5 NBR70 PTFE yellow	2
33	48601702	Shim 27,5x33x0,3	2
34	0025080206	HH collar screw M8x20	4

196410130

51266

* NEW PART

X ON DEMAND



POS	PARTNUMBER	PARTNAME	PIECE
35	48602007	Stroke indicator 48mm red	2
36	48601986	Fork protection ring 60,1mm	2
37	48601976S	RingISK screw M10x25 with o-ring	2
38	35480085	O-ring 7x2 NBR70	2
39	52000281SET	sticker Xplor OC 100x46	1
98	T14034	Fuchs grease IPR (250g)	x
99	48601166S1	Fork Fluid Viscosity 4.0 5L	x

196410130

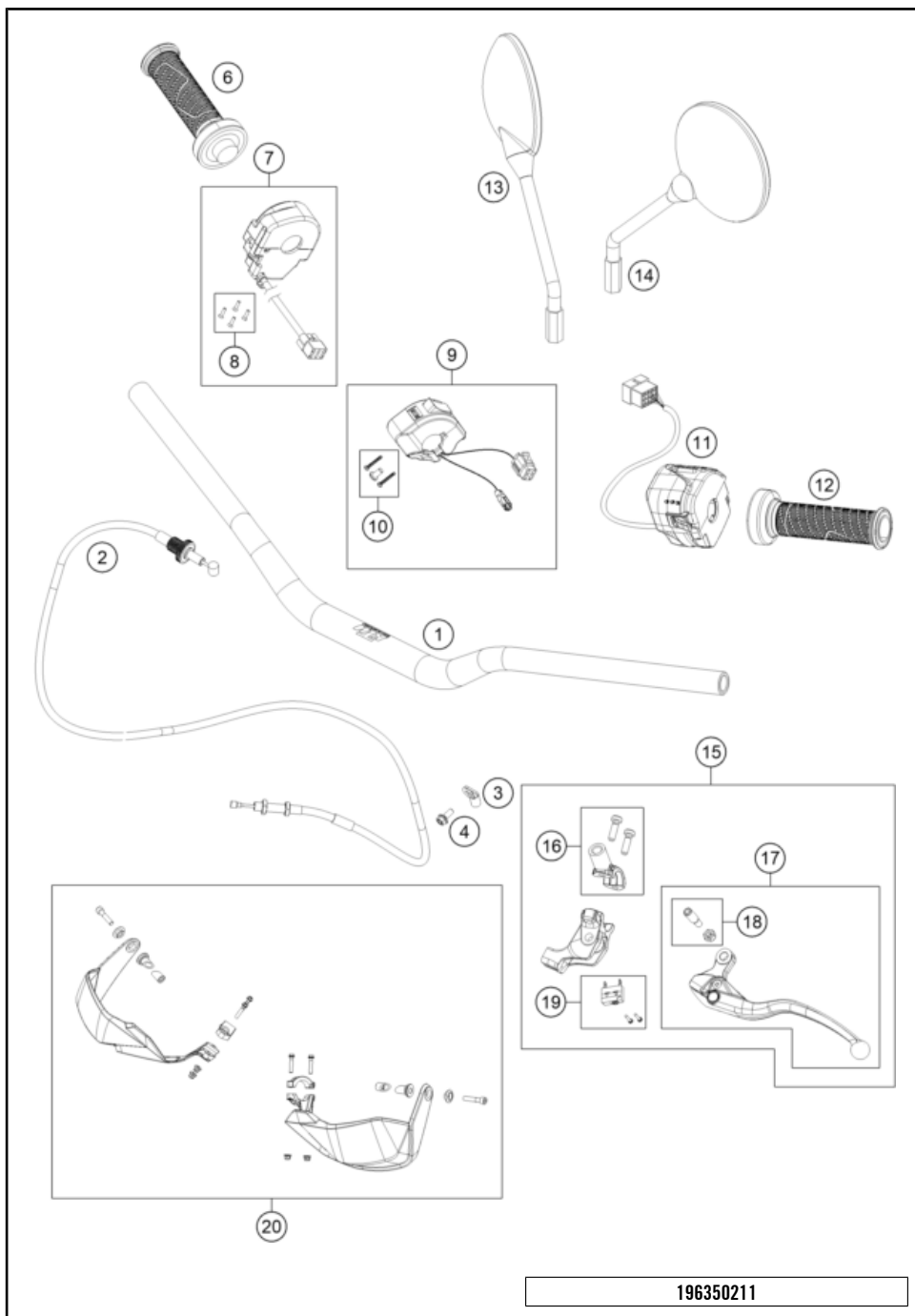
51266

* NEW PART

X ON DEMAND

HANDLEBAR, CONTROLS

790 ADVENTURE R 2022 2022

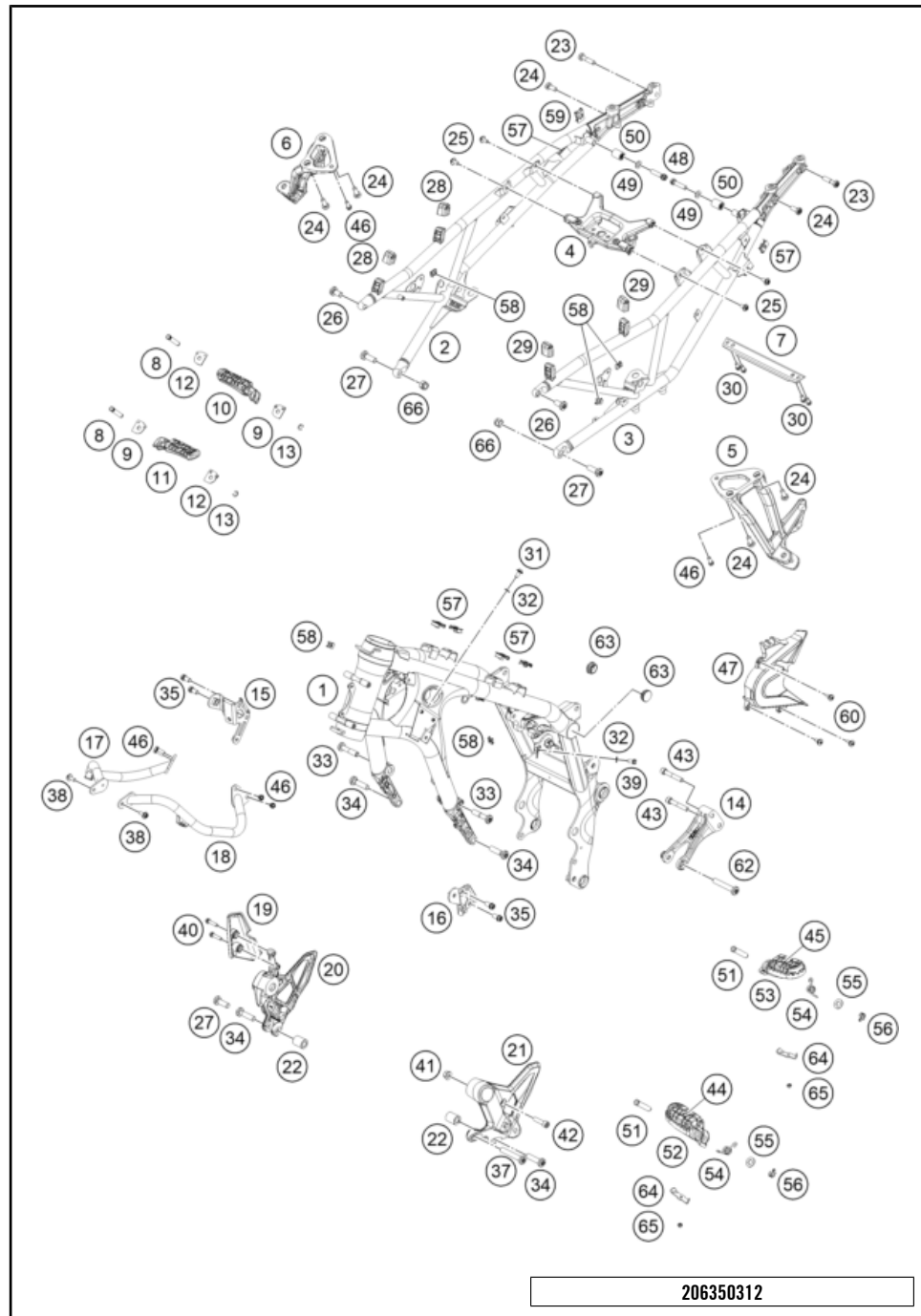


POS	PARTNUMBER	PARTNAME	PIECE
1	6070200100033	Handlebar	1
2	64102090000	Clutch cable	1
3	64132070000	PVC clamp 6.4 MM Heyman	1
4	0025050126	HH collar screw M5x12 TX30	2
6	60702012000	Grip tube (no heating)	1
7	60711012000	Ride-by-wire without throttle tube	1
8	76011073110	SCREW SET START-STOP SWITCH	1
9	76011074000	emergency OFF switch	1
10	61411174010	Screw set start-stop switch	1
11	76011170100	Handlebar switch left	1
12	60702039100	Grip LHS w/o heater	1
13	28512040000	mirror, right	1
14	58412040100	mirror, left/right	1
15	63502031000	Clutch lever compl.	1
16	6350204400030	Clamp cpl. incl. 2 screws	1
17	63502040000	Clutch lever	1
18	64102038000	Kit lever pin	1
19	63511049000	Switch	1
20	60302179000EB	HANDGUARD L/R CPL.	1

196350211

51956

* NEW PART X ON DEMAND



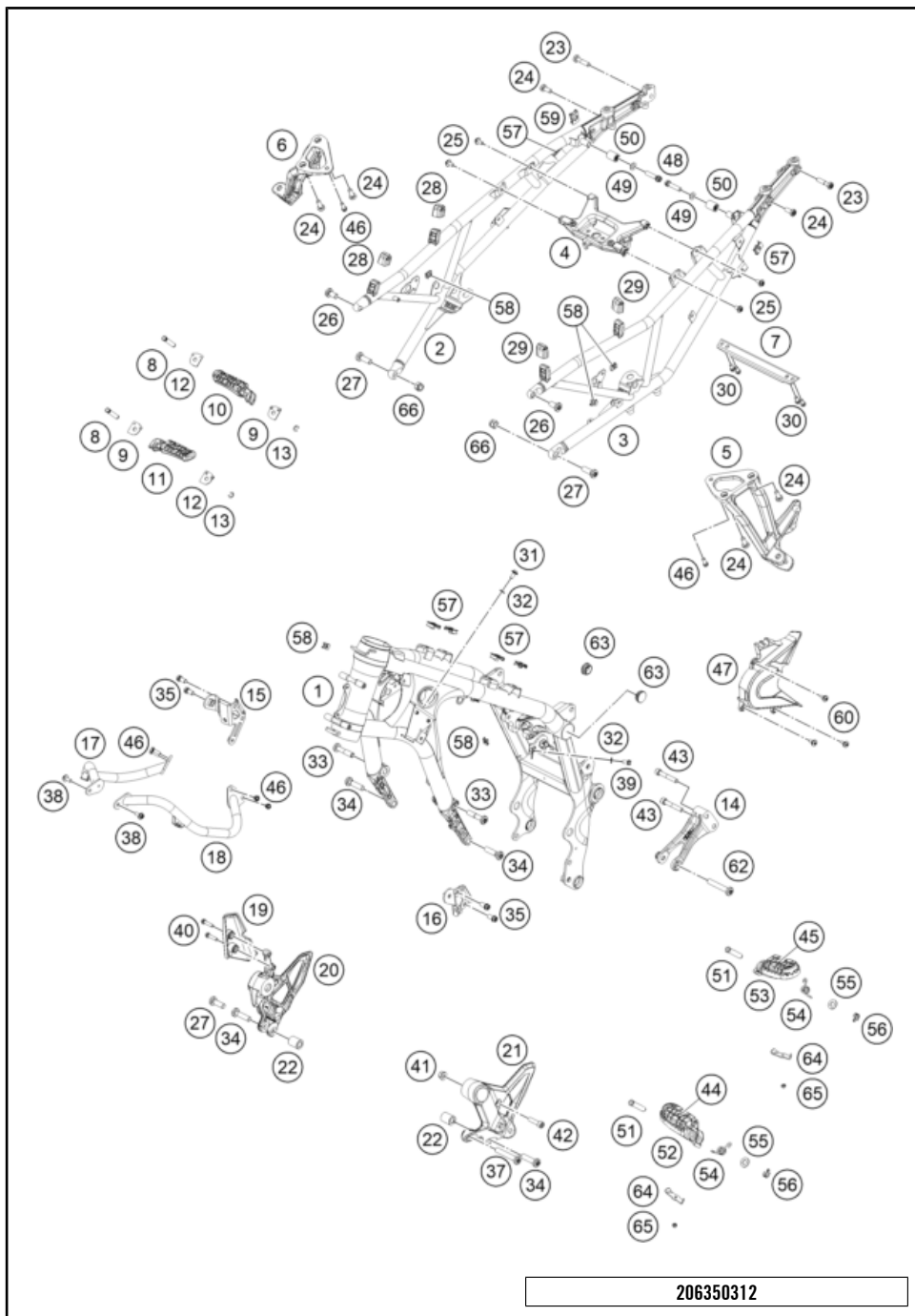
206350312

POS	PARTNUMBER	PARTNAME	PIECE
1	63503101100EB	Frame 635TB	1
2	63703102006EB	Subframe right	1
3	63703102005EB	Subframe left	1
4	63508019050	Rear reinforcement	1
5	6350304800033	Rear footpeg bracket left	1
6	6350304900033	Rear footpeg bracket right	1
7	6350300200733	Cross member, black	1
8	60003044100	footrest bolt, rear	2
9	60003152000	ENGAGE PANEL FOOTREST L/S 03	2
10	60003051000	FOOTREST CPL. R/S REAR 03	1
11	60003050000	FOOTREST CPL. L/S REAR 03	1
12	60003052000	ENGAGE PANEL FOOTREST R/S 03	2
13	0799060003	retaining washer DIN 6799 - 6	2
14	6410301300033	Engine strut black	1
15	6350309019033	Skid plate frame holder, right cmpl.	1
16	6350309018033	Skid plate frame holder, left cmpl.	1
17	6350800600033	Mask support, right	1
18	6350800500033	Mask support, left	1
19	63503039051	Rear master cylinder guard	1
20	63703039066C1	Footpeg bracket front, right, cmpl.	1
21	63703038066C1	Footpeg bracket front, left, cmpl.	1
22	08000010025U0	Bushing 10,4x20x25	2
23	0035080356S	SCREW M8X35 ISA45 SS	2
24	0035080206S	SHCS M8x20 TX45	6
25	0024060136S	HH Collar screw M6x13 TX30 SL	4
26	0035100209S	SHCS M10x20 TX45 MK	2
27	0035100309S	SHCS M10x30 TX45	3
28	63503002093	Retain. brack., seat cowl pad front left	2
29	63503002090	Rubber seat cowl pad	2
30	0025060126S	Hex collar screw M6x12 ISA30 self-lockin	4
31	69014017000	SPECIAL SCREW M6X18 ISA30 08	1
32	58411098100	CONTACT WASHER M6 VSV-K6	2
33	0035100456S	ISA screw M10x45 ISA45	2
34	0035100409S	ISA collar screw M10x40 ISA45	4
35	0025080166S	HH collar screw M8x16 TX40 SL	4
37	0035100609S	AH-COLLAR SCREW M10X60 ISA45	1
38	0024060156S	HH collar screw M6x15 TX30	2
39	0025080166	HH COLLAR SCREW M8X16 TX40	1

59517

* NEW PART

X ON DEMAND



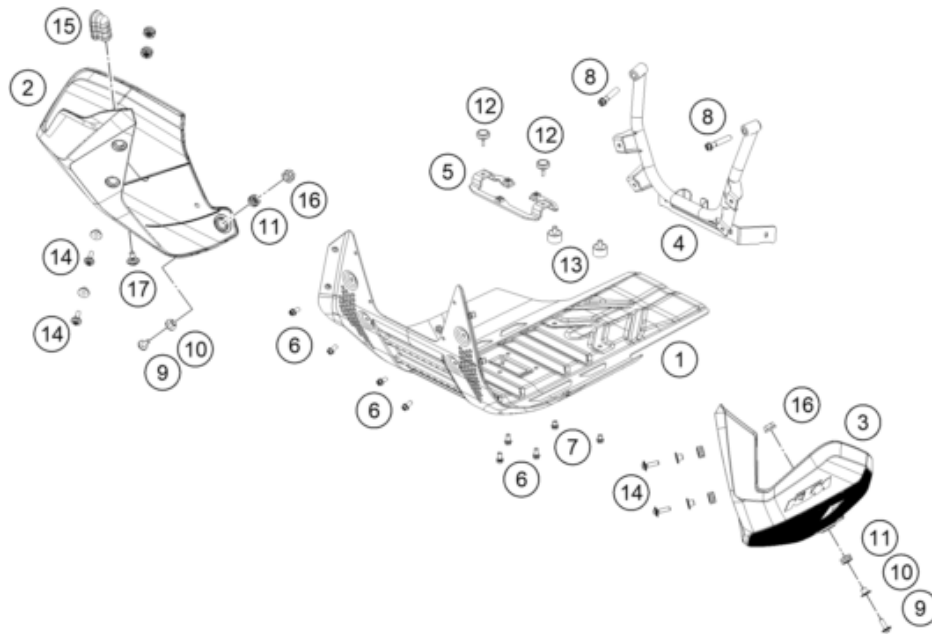
POS	PARTNUMBER	PARTNAME	PIECE
40	0025060256	HH collar screw M6x25 TX30	2
41	54310086200	SELF LOCKING NUT M8 10.9	1
42	014579080301S	screw ISO 14579-M8x30-10.9-MK black	1
43	014579080506S	CYL. SCREW DIN14579 M8X50 SS	2
44	60003041010	FOOTREST RUBBER FRONT R/S 03	1
45	60003040010	FOOTREST RUBBER FRONT L/S 03	1
46	0025060166S	HH collar screw M6x16 TX30 SL	6
47	63503096000	Front sprocket cover	1
48	0035080356	AH-COLLAR SCREW M8X35 ISA45	2
49	0125080003	washer DIN 125 A -8.4	2
50	60307048000	RUBBER SEAT-CONTACT SURFACE	2
51	54803044000	PIN FOR FOOT PED 51.5X9.8 MM	2
52	78003041050	FOOTREST R/S 08	1
53	78003040050	FOOTREST L/S 08	1
54	54603041000	FOOTREST SPRING L/S & R/S	2
55	0125100003	washer DIN 125 A 10.5	2
56	0094032253	PIN DIN0094-3,2X25 STEEL	2
57	54603048100	clip nut M6	6
58	54603048600	RANGE CHANGE METAL NUT M5 INOX	2
59	54603048000	RANGE CHANGE METAL NUT M8	2
60	69008021160	special screw M5x12	3
62	0035100656S	ISA screw, M10x65 ISA45	1
63	64103088000	Frame locking cap	2
64	60003044010	CLOSING PANEL FRONT L/S R/S 03	2
65	0985050003	SELF LOCKING NUT DIN0985-M 5	2
66	54310086100	SELF LOCKING NUT M10 CU WS=14	2

206350312

59517

* NEW PART

X ON DEMAND



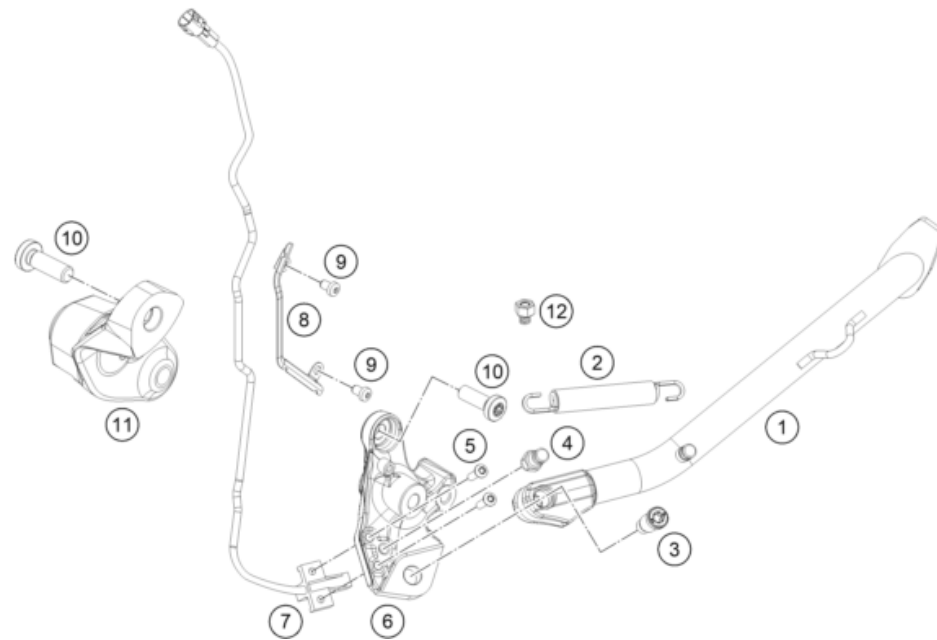
POS	PARTNUMBER	PARTNAME	PIECE
1	63503090000	Skid plate bottom part compl.	1
2	63503098010	Front spoiler right	1
3	63503097010	Front spoiler left	1
4	6350309005033	Front skid plate linkage	1
5	63503090016	Lower Alu Skidplate Support	1
6	0025060106	HH collar screw M6x10 TX30	7
7	0025060086	HH collar screw M6x8 TX30	2
8	0025080406S	Collar screw M8x40 ISA40 SS	2
9	69014017000	SPECIAL SCREW M6X18 ISA30 08	2
10	61342041000	COLLAR BUSH 6,5X9X18X8,5	6
11	62142041000	DAMP. COMPONENT ABS MODUL	6
12	60006001021	DISTANCE RUBBER AIRBOX 03	2
13	63503190017	Silent block 20x12 M6x10/M6x8	2
14	69014117000	Collar screw M6x22-8.8 ISA30	4
15	60307020000	TANK RUBBER	2
16	56509064100	SELF LOCKING NUT M6 10.9	2
17	83008000012	special screw M6x12x3	2

196350330

49281

* NEW PART

X ON DEMAND



POS	PARTNUMBER	PARTNAME	PIECE
1	63503123000C1	Sidestand R	1
2	61003024000	SPRING L=116 MM 05	1
3	62503027200	SCREW FOR SIDE STAND M10X31,2	1
4	63503028010	Special screw side stand spring	1
5	0738050202	Lens head screw ISO 7380-M5X20A2	2
6	6350302610033	side stand bracket	1
7	93511045000	SWITCH SIDE STAND	1
8	64103001099	Racket side-stand-cable	1
9	0018050103	INT. TORX OVAL HEAD M 5X10 8.8	2
10	0035100309S	SHCS M10x30 TX45	2
11	63503016040C1	Main stand console right	1
12	90103029000	MAGNET HOLDER	1

196350360

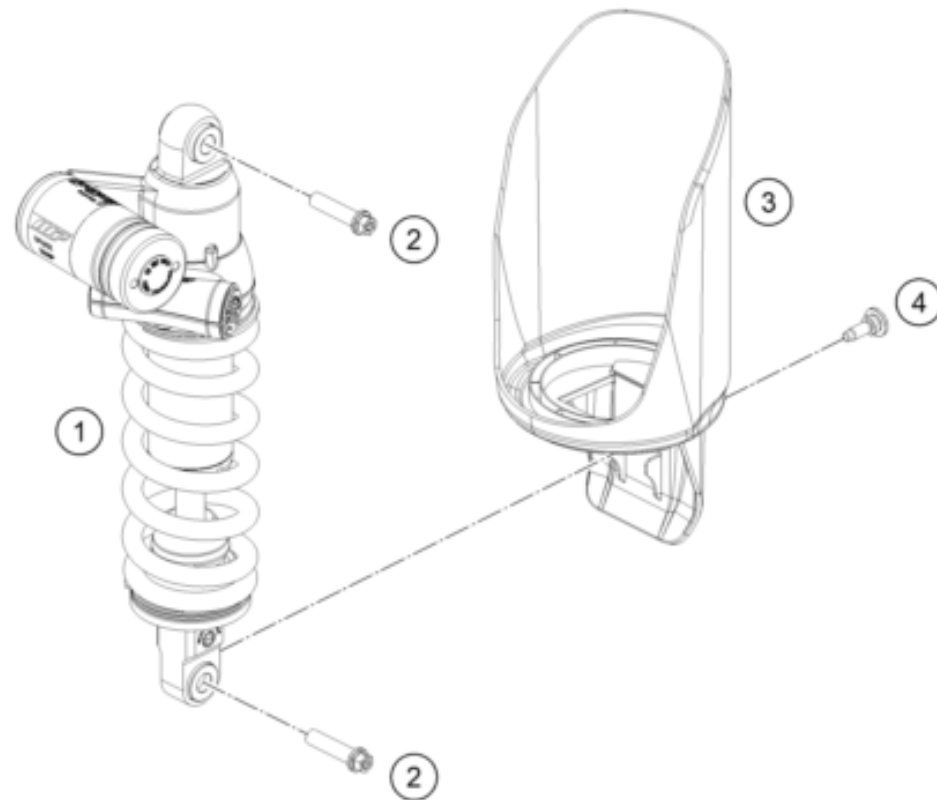
51958

* NEW PART

X ON DEMAND

SHOCK ABSORBER

790 ADVENTURE R 2022 2022



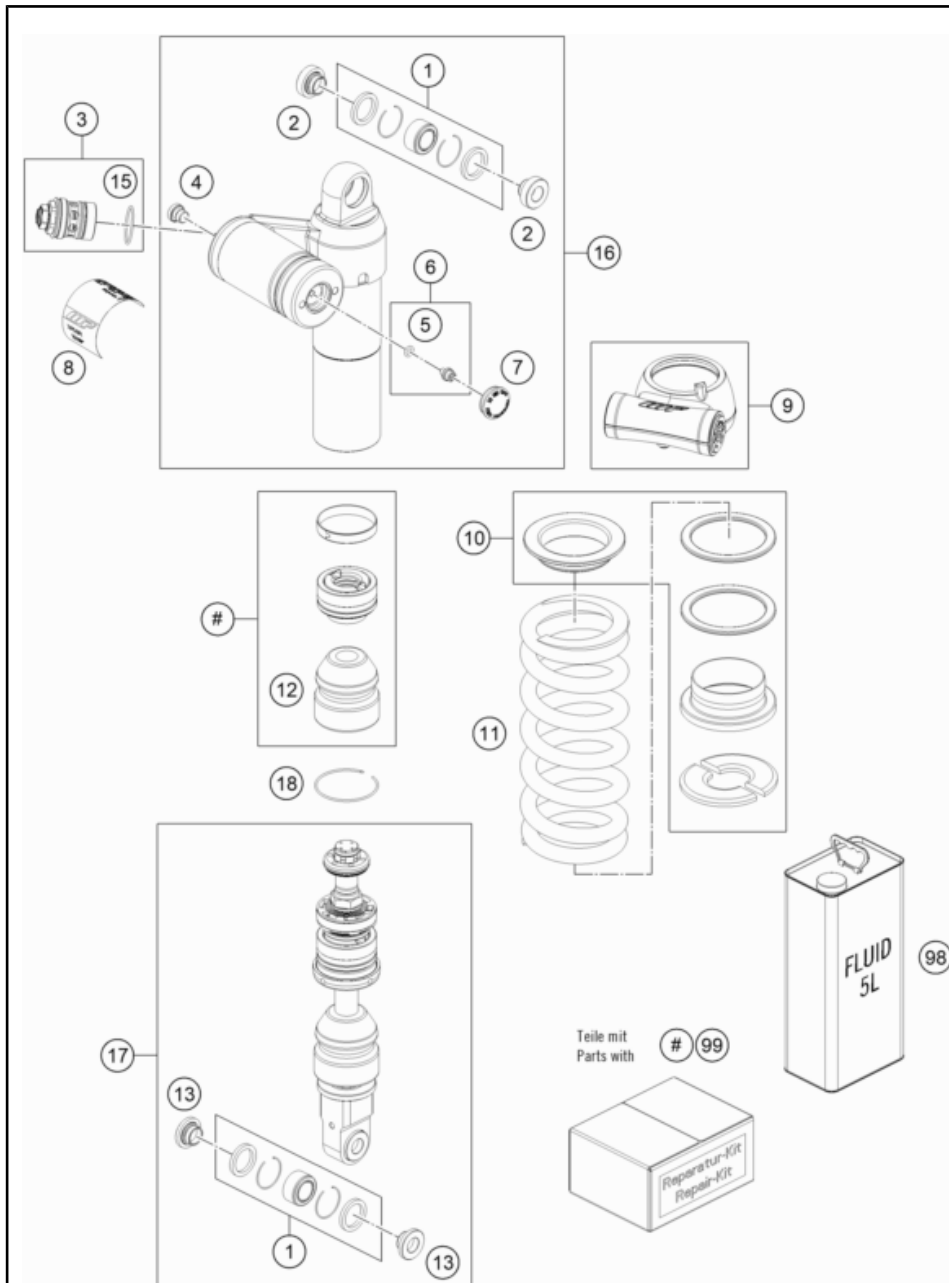
POS	PARTNUMBER	PARTNAME	PIECE
1	01187S5401	Shock 790 Adventure R 2019	1
2	0025120506S	HH COLLAR SCREW M12X50 TX45	2
3	63508075000	Splash protection shock absorber	1
4	69008021160	special screw M5x12	1

196350411

51959

* NEW PART

X ON DEMAND



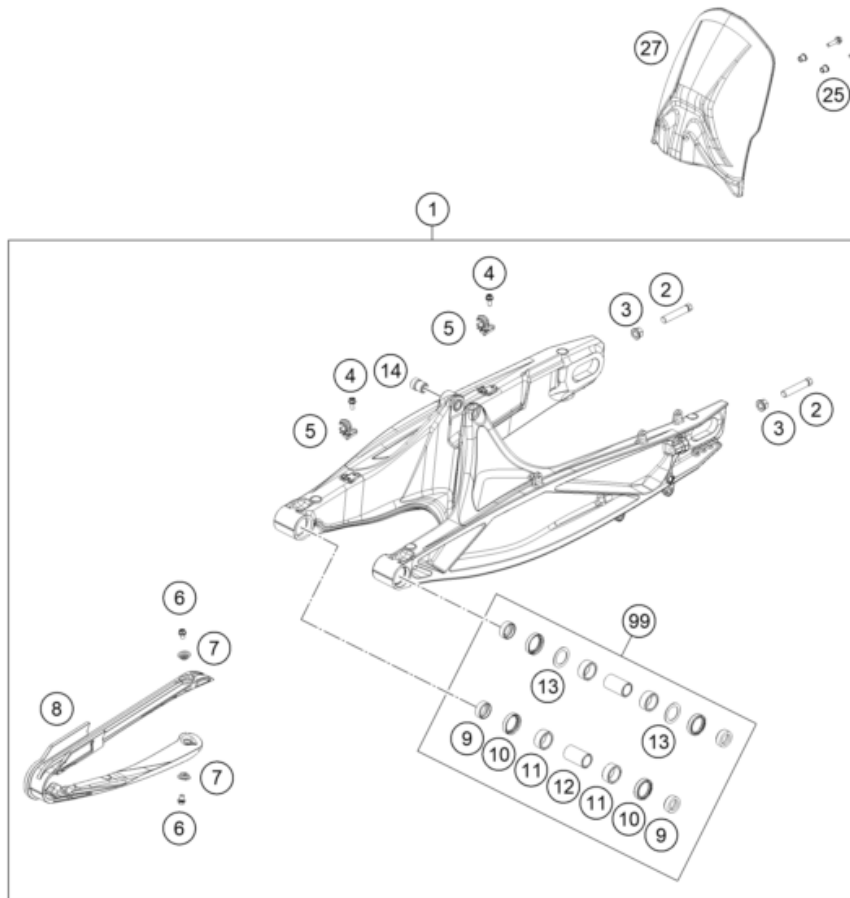
POS	PARTNUMBER	PARTNAME	PIECE
1	R12012	Ball joint bearing kit top 12mm	x
2	46180064	Bearing bush 12x15/18/24,5x13,5	2
3	50180213S28	Compression adjuster cpl. Natural	1
4	50180095	HS cylinder-head screw R1/8 I8	1
5	46810893	O-ring 5,28x1,78 NBR70 black	1
6	36120151S	PLUG SCREW M5X6 CPL.	1
7	46811208	Rubber cap do not open 22x5,5 NBR	1
8	52000214	Sticker set XPLOR PDS 90x40	1
9	15000S23	Preload-Adjuster D46mm s10mm right grey	1
10	R15020	REP. KIT WASHERS	1
11	91010425	mainspring (59) 88-210 shock white	x
11	91010366	Main Spring (59) 95-210 shock white	1
11	91010426	Main spring (59) 102-210 damper, white	x
12	50181080	Rubber pad 17x50x54	1
13	46180007	Distance bush 12x15/18/24,5x10,5	2
15	50180217	O-ring 27x1,5 Viton70 green ISO 3601-3S	1
16	46181324S1	shock upper part KTM 790 ADV R 19	1
17	46181327S1	shock bottom part KTM 790 ADV R 19	1
18	46180010	Distance bush 10x15/18/24,5x10,5	1
98	50180751S1	SHOCK ABSORBER FLUID 5 LT	x
99	RP10013	Repair kit ADV. R	x

196410430

51267

* NEW PART

X ON DEMAND



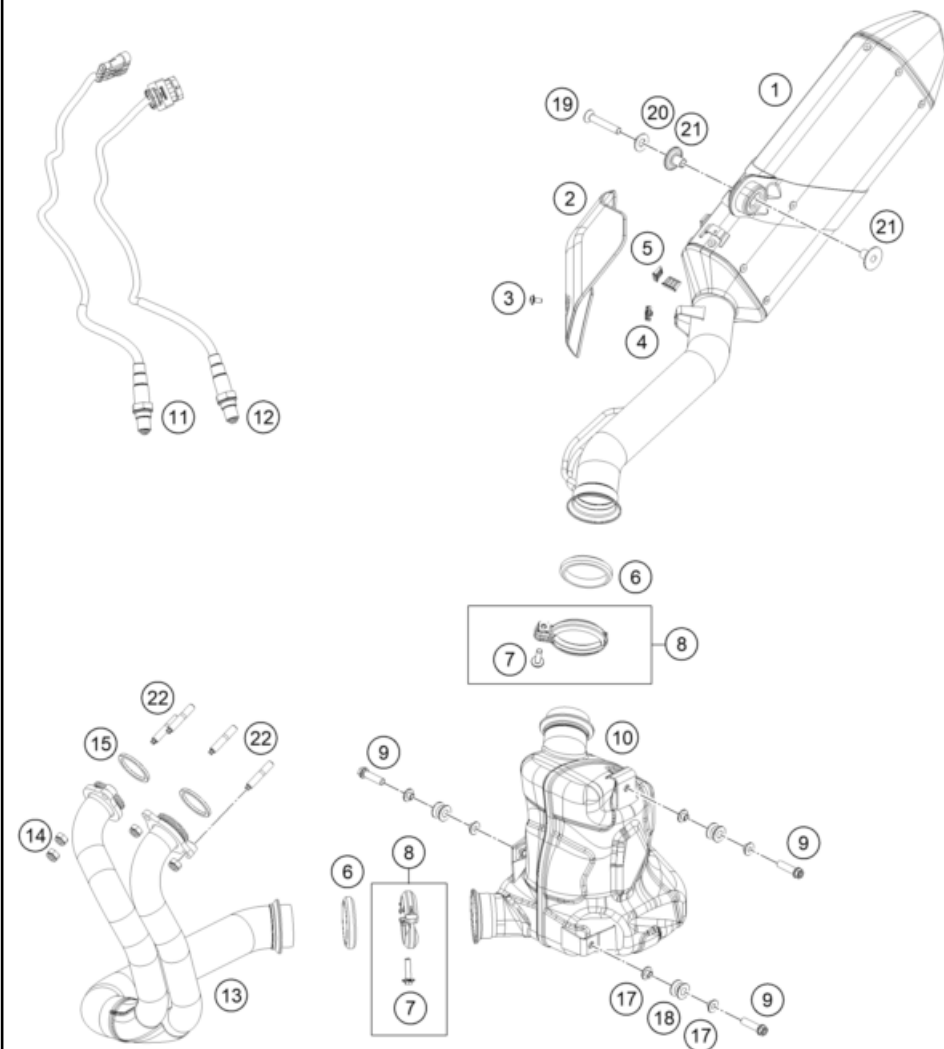
196350490

POS	PARTNUMBER	PARTNAME	PIECE
1	6350403004433	Swingarm cpml. Black	1
2	58414030000	HH COLLAR NUT M10X1,25 WS=13	2
3	50304040100	screw M10x1.25x50 WS10	2
4	0025050126	HH collar screw M5x12 TX30	2
5	60104142000	Clamp	2
6	69008021160	special screw M5x12	2
7	46104066050	BUSH FOR CHAINSLIDER GUARD 02	2
8	64104066000	chain slide protection	1
9	54804034000	BUCKET F. SHAFT SEAL RING 03	4
10	0760253270	radial shaft seal 25x32x7	4
11	0618222812	NEEDLEBEAR HK2212V 22/28/12 MB	4
12	59404032000	BEARING SLEEVE 17X22X38,7 03	2
13	54603036000	STOP DISK 22,2X31,7X1	2
14	64104030020	Bushing Shock Mounting	1
15	64104037000	swing arm bolt	1
16	76504038000	SPECIAL SCREW M12X40 SW19	2
17	0025060126	HH collar screw M6x12 TX30	2
18	63504030010	Retaining bracket, chain guide	1
19	0934060003	hex nut DIN 934 M6	1
20	0025060206	HH collar screw M6x20 TX30	1
21	0025060456	HH COLLAR SCREW M6X45 TX30	1
22	78004070100	CHAIN GUIDE CPL.	1
23	69008021160	special screw M5x12	2
24	63504061000	Chainguard	1
25	64104150010	Bushing 5.5x8.3x9	2
26	0025050206	HH collar screw M5x20 TX30	2
27	63504050000	splash protection swingarm	1
99	79004030010	SWING ARM REPAIR KIT SX-F	1

56333

* NEW PART

X ON DEMAND



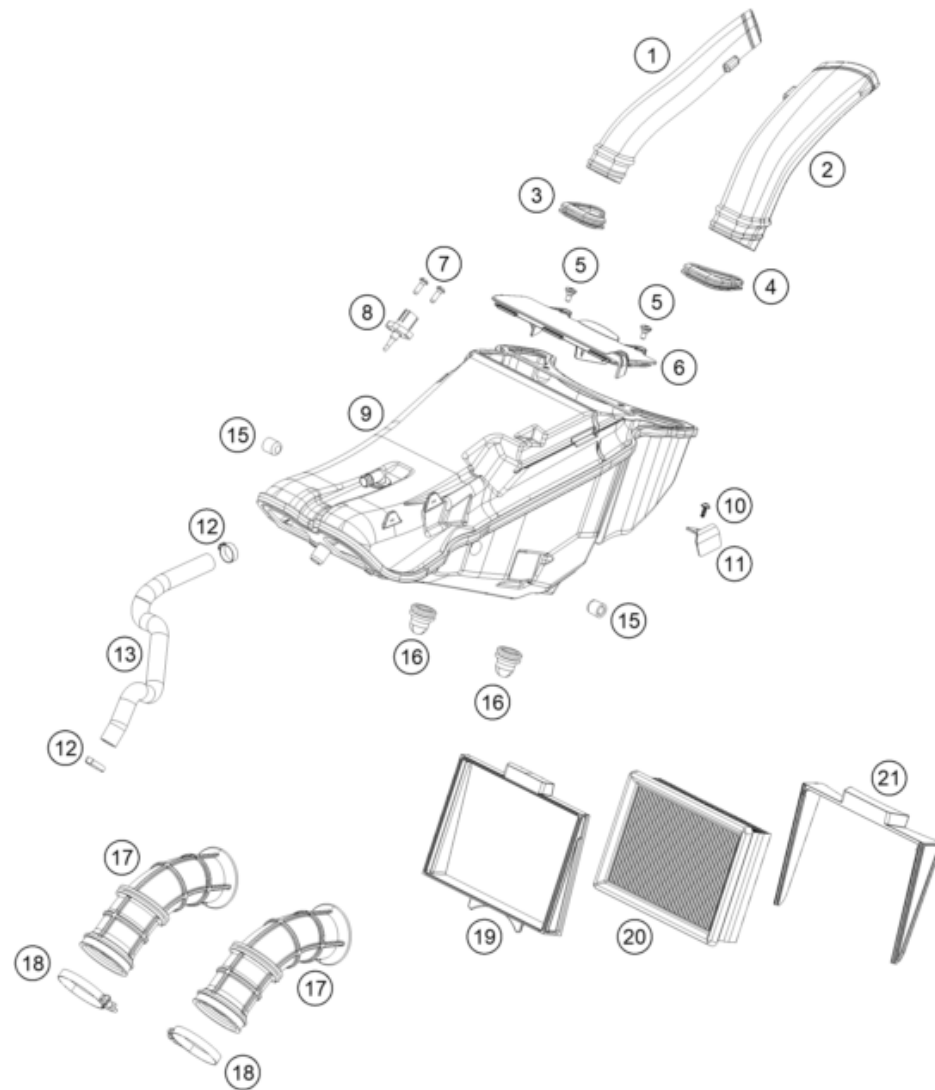
POS	PARTNUMBER	PARTNAME	PIECE
1	63505183000	Silencer	1
2	63505111000C1	Heat protection black cmpl.	1
3	78105181010	Torx screw M5x10 black	1
4	54603048600	RANGE CHANGE METAL NUT M5 INOX	1
5	27005011011	DAMPING ELEMENT SILICON	2
6	69005005005	MANIFOLD GASKET	2
7	0024060256	HH COLLAR SCREW M6X25 TX30	2
8	69005050000	CLAMP CPL.	2
9	0025080356S	HH COLLAR SCREW M8X35 TX40	3
10	64105050000	Pre-muffler	1
11	63541090000	O2 Sensor LSF 4	1
12	63541190000	O2 Sensor LSF 4	1
13	64105007100	Header	1
14	51010086100	self-locking nut M8 Cu	4
15	64105005000	Exhaust gasket	2
17	58405050065	collar bushing 8.5x12x23.5x10	4
18	54305068100	damp. component silicone grey	3
19	0019080506	COUN.-SUNK SCREW M8X50 ISA10.9	1
20	60405069000	conical seat Alu	1
21	61305069000	BUSHING 8,5X11X29	2
22	63505015000	stud screw 835 M8x25 - 10.9	4

216350510

56306

* NEW PART

X ON DEMAND



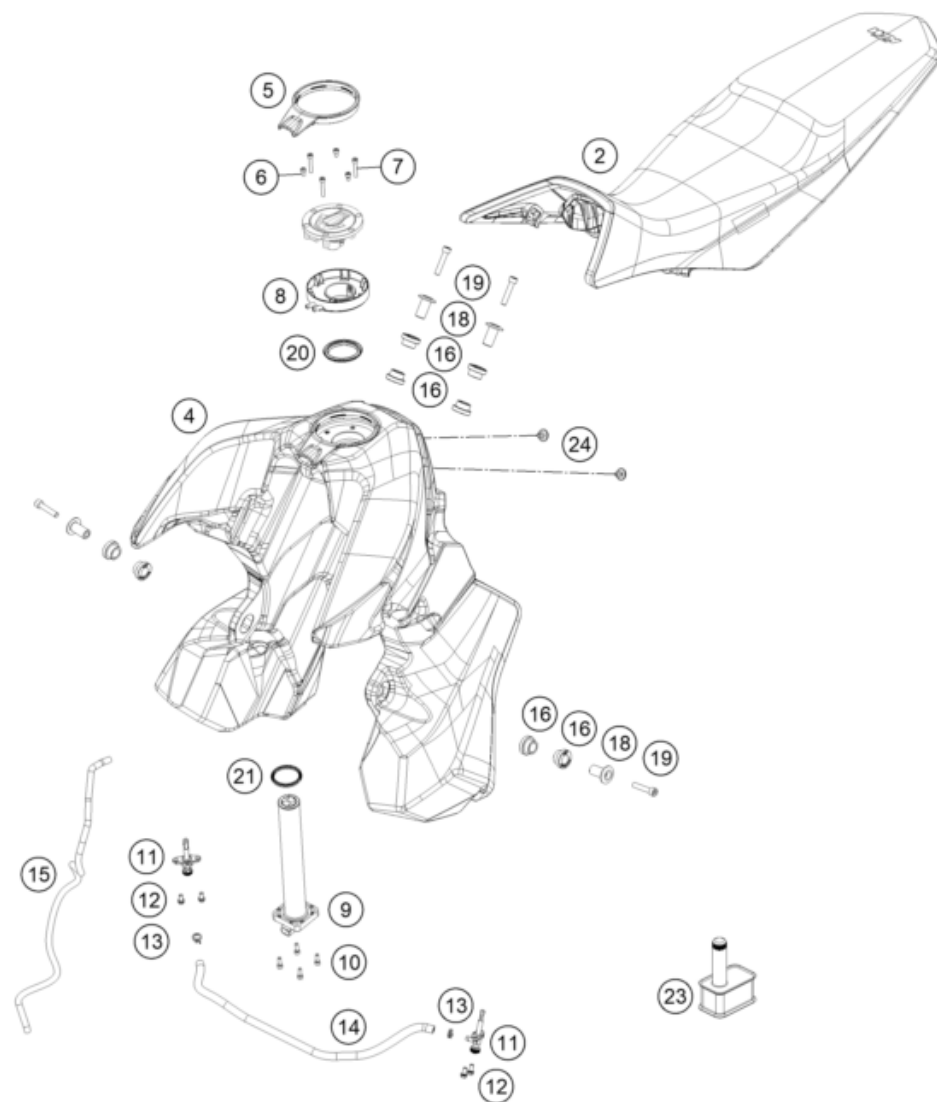
POS	PARTNUMBER	PARTNAME	PIECE
1	63506041000	Intake duct, right	1
2	63506040000	Intake duct, left	1
3	63506040050	Intake duct gasket, right	1
4	63506041050	Intake duct gasket, left	1
5	69008021160	special screw M5x12	2
6	63506002000	Air filter box cover	1
7	0081050161	EJOT PT SCREW K50X16 1451	2
8	61041080000	AMBIENT-AIR TEMPERATURE SENSOR	1
9	63506001000	Air filter box	1
10	0081050121	EJOT PT screw K50x12	1
11	63506002060	Cable holder air filter box	1
12	00050198706	VARIABLE ONE-EAR CLAMP 19,8MM	2
13	63530087000	Pre-formed hose engine breather	1
15	76006014000	rubber grommet	2
16	50206020000	RUBBER GRIMMET SLOTTED	2
17	63506026000	Velocity stack	2
18	77236048000	HOSE CLAMP GEMI 58MM	2
19	63506016000	Filter clamp frame	1
20	60306015100	AIR FILTER	1
21	63506017000	Filter clamp wedge	1

196350610

49507

* NEW PART

X ON DEMAND



POS	PARTNUMBER	PARTNAME	PIECE
2	63507140000	Sitzbank 800 Adv. R	1
4	63507113000C1	Fuel tank	1
5	63507058000	Fuel tank fairing	1
6	0912050083	SHCS DIN 912 M5x8	3
7	0912050303	AH SCREW DIN0912-M 5X30	3
8	63507008050	Fuel filler cap	1
9	63507080100	Fuel level sensor	1
10	0912050163	AH SCREW DIN0912-M 5X16	4
11	58507003200	FUEL COCK CPL.	2
12	0025060126	HH collar screw M6x12 TX30	4
13	58031005000	CLAMP YDNAC 10128 12MM	2
14	63507016000	Interconnection hose	1
15	63515027100	Tank overflow hose 718mm	1
16	61007065000	collar bushing, front tank holder	8
18	61007060000	collar bushing, bearing, outside	4
19	0912080403	SHCS DIN 912 M8x40	4
20	21007008151	gasket tank insert	1
21	60307080090	GASKET FUEL LEVEL SENSOR	1
23	00001000015	Motorex Fuel Stabilizer 125ml	1
24	0900000601200	Seat screw M6x11.5 ISA30	2

216350711

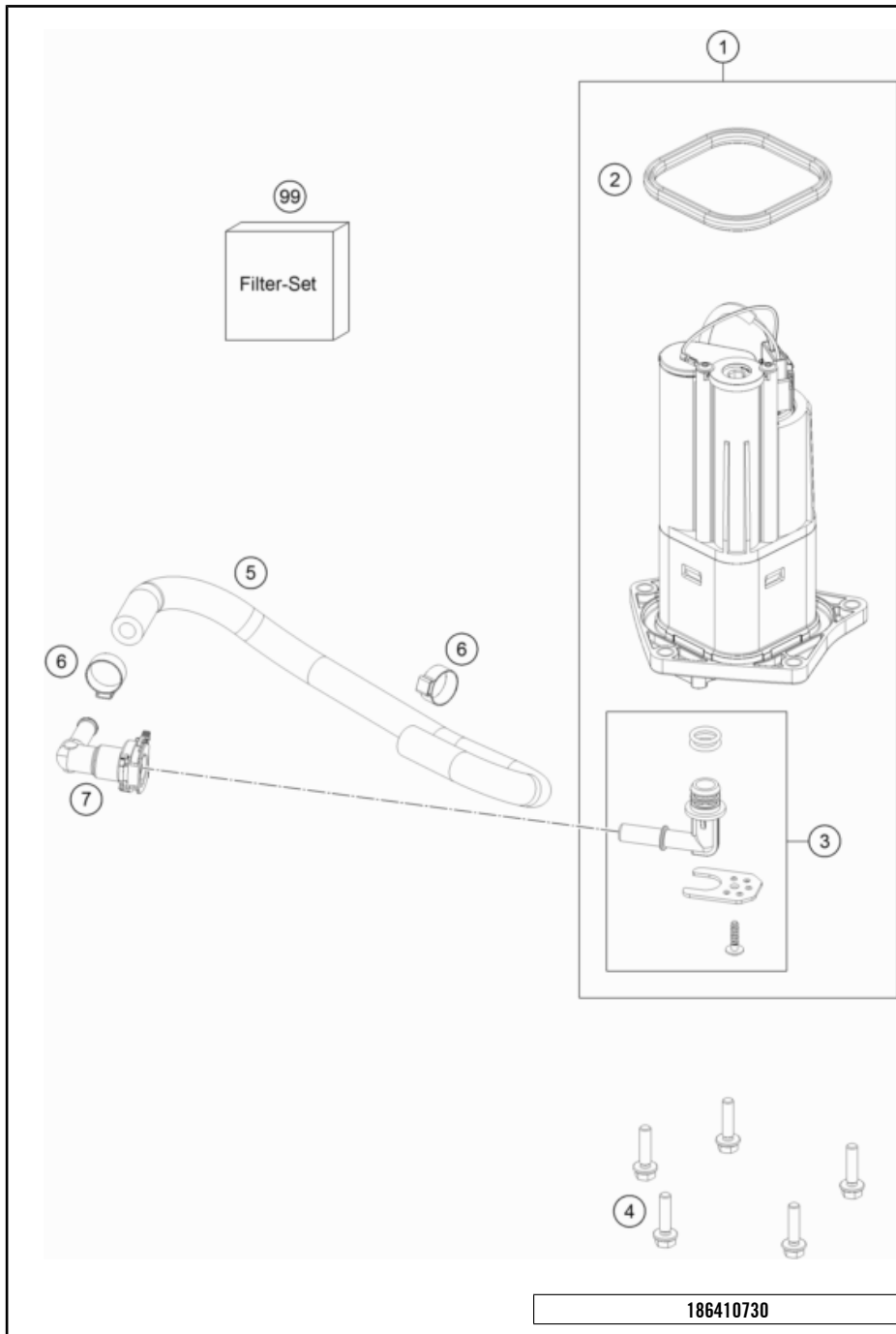
56336

* NEW PART

X ON DEMAND

FUEL PUMP

790 ADVENTURE R 2022 2022



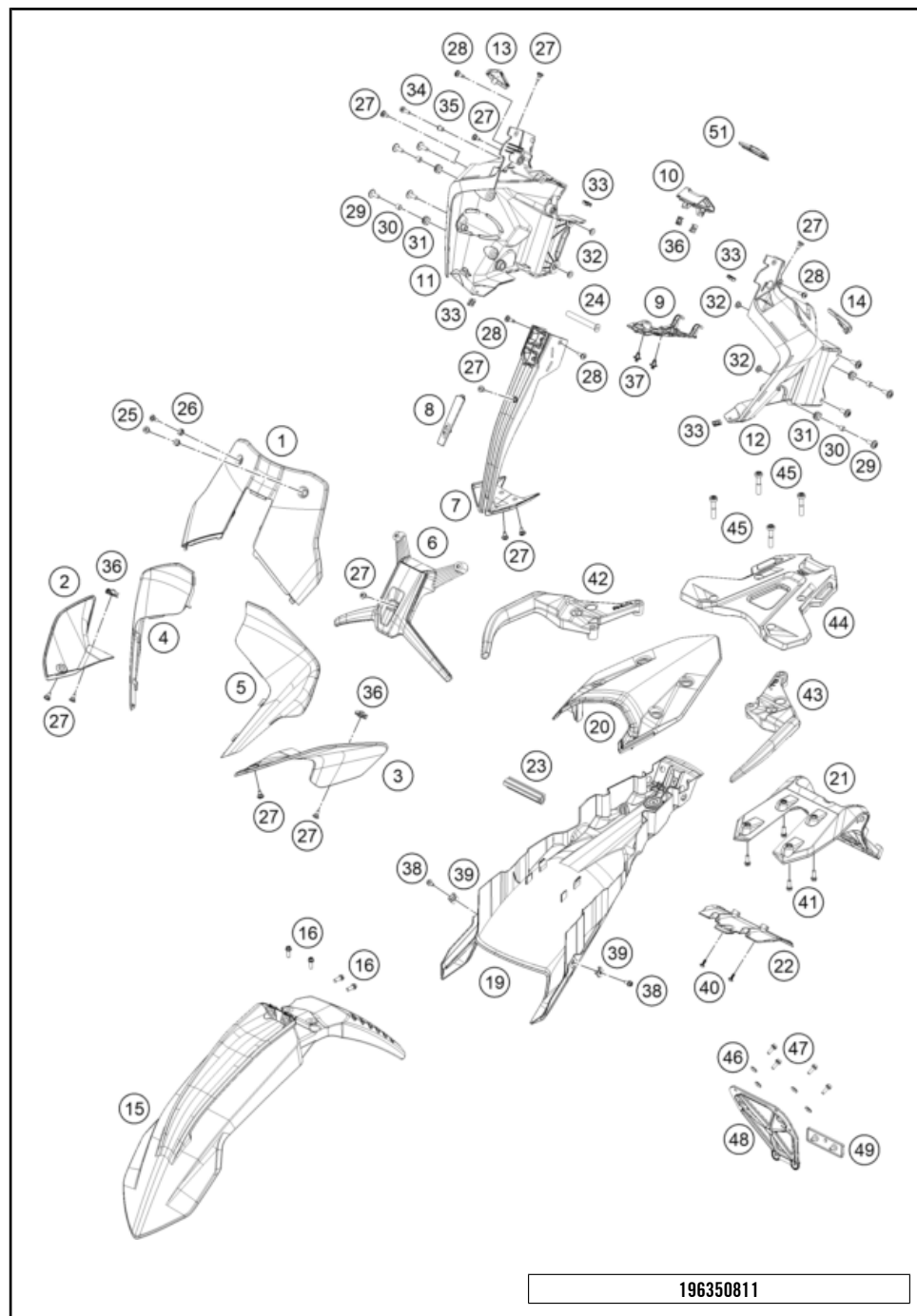
POS	PARTNUMBER	PARTNAME	PIECE
1	63507088000	fuel pump	1
2	64107189000	Sealing	1
3	75007092000	HYDRAULIC CONNECTOR CPL.	1
4	0025060166	HH collar screw M6x16 TX30	5
5	63507017000	Fuel hose	1
6	00050157706	VARIABLE ONE-EAR CLAMP 15,7MM	2
7	76007028000	ELBOW CONNECTOR	1
99	63507090000	filter kit	x

186410730

51895

* NEW PART

X ON DEMAND



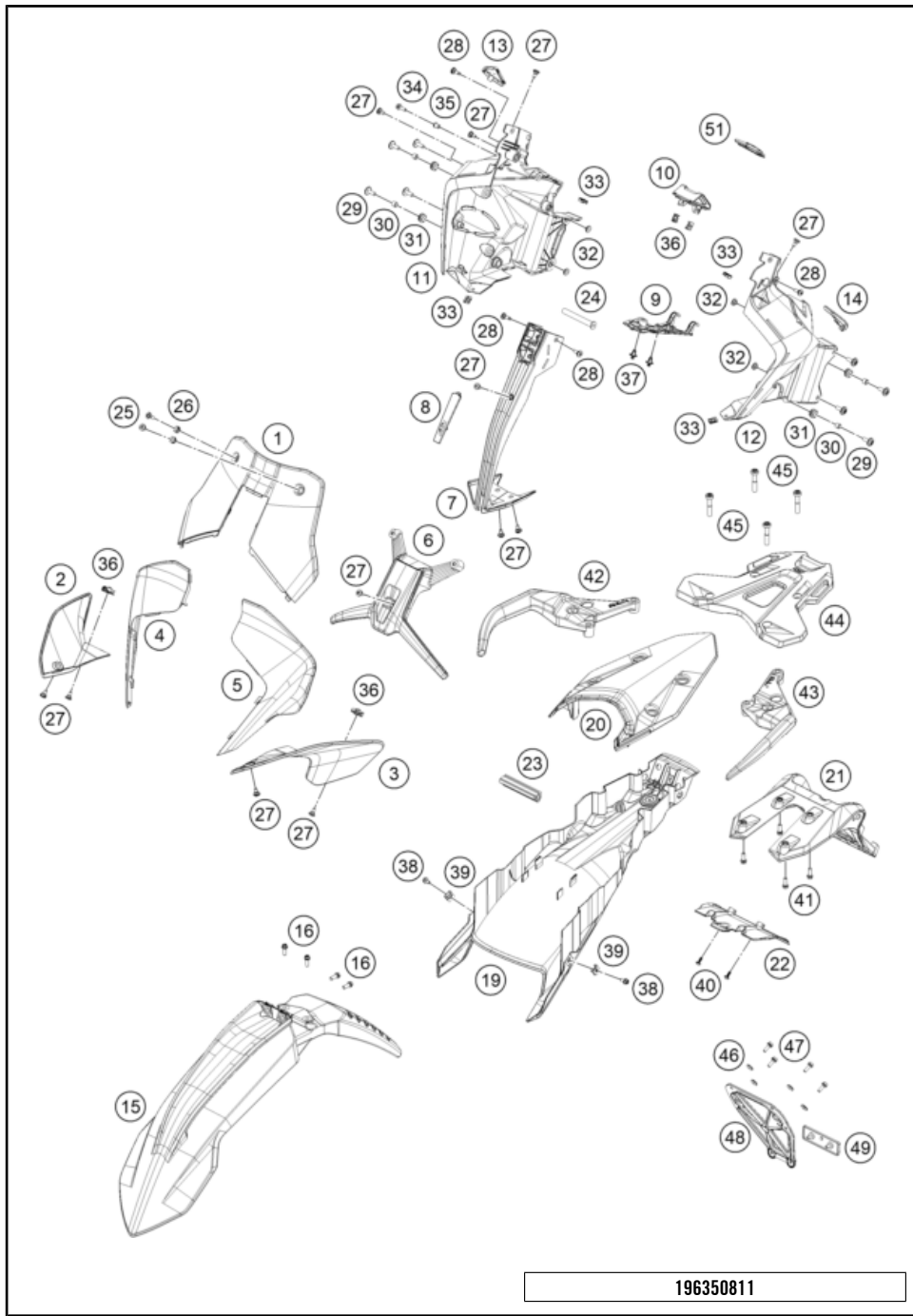
196350811

POS	PARTNUMBER	PARTNAME	PIECE
1	63508108000	Windshield R EU	1
2	63508004000	mask spoiler right	1
3	63508003000	mask spoiler left	1
4	63508001020	headlight mask right	1
5	63508001010	headlight mask left	1
6	63508008050	windshield support	1
7	63514012000561	Headlight carrier, center part	1
8	63514012010	Cover headlight mask	1
9	63514010020	Cable cover mask support	1
10	63514011020	Cover mask support	1
11	63514011000	maskcarrier right	1
12	63514010000	maskcarrier left	1
13	63514011080	Plug cap right	1
14	63514010080	Plug cap left	1
15	63508910000C1	Front fender	1
16	0025060166	HH collar screw M6x16 TX30	4
19	63508019000	Lower rear panel	1
20	63508013000C1	Tail section	1
21	63508015000	License plate holder support, upper part	1
22	63508016000	License plate holder support, lower bott	1
23	63503002030	Brace subframe	1
24	63514010040	wheel spindle mask support	1
25	60708008071	Special screw M5x14	2
26	60708008070	rubber bush windshield fixation	2
27	69008021160	special screw M5x12	12
28	69008021060	special screw M5x17	4
29	69014017000	SPECIAL SCREW M6X18 ISA30 08	8
30	69014014000	BUSHING 6,1X9,2X7,5 08	4
31	60006001022	rubber grommet 9x11x16x8.5 mm	4
32	69004060150	bushing chain protection	2
33	54603048600	RANGE CHANGE METAL NUT M5 INOX	4
34	0025050166	HH collar screw M5x16 TX30	1
35	63514011010	wheel spindle mask support	1
36	69008021080	clip nut M5	4
37	76503075000	SPREAD RIVET CPL. 6,2MM	2
38	0025050106	HH collar screw M5x10 TX30	2
39	54603048200	RANGE CHANGE METAL NUT M5	2
40	0081050121	EJOT PT screw K50x12	2

58136

* NEW PART

X ON DEMAND



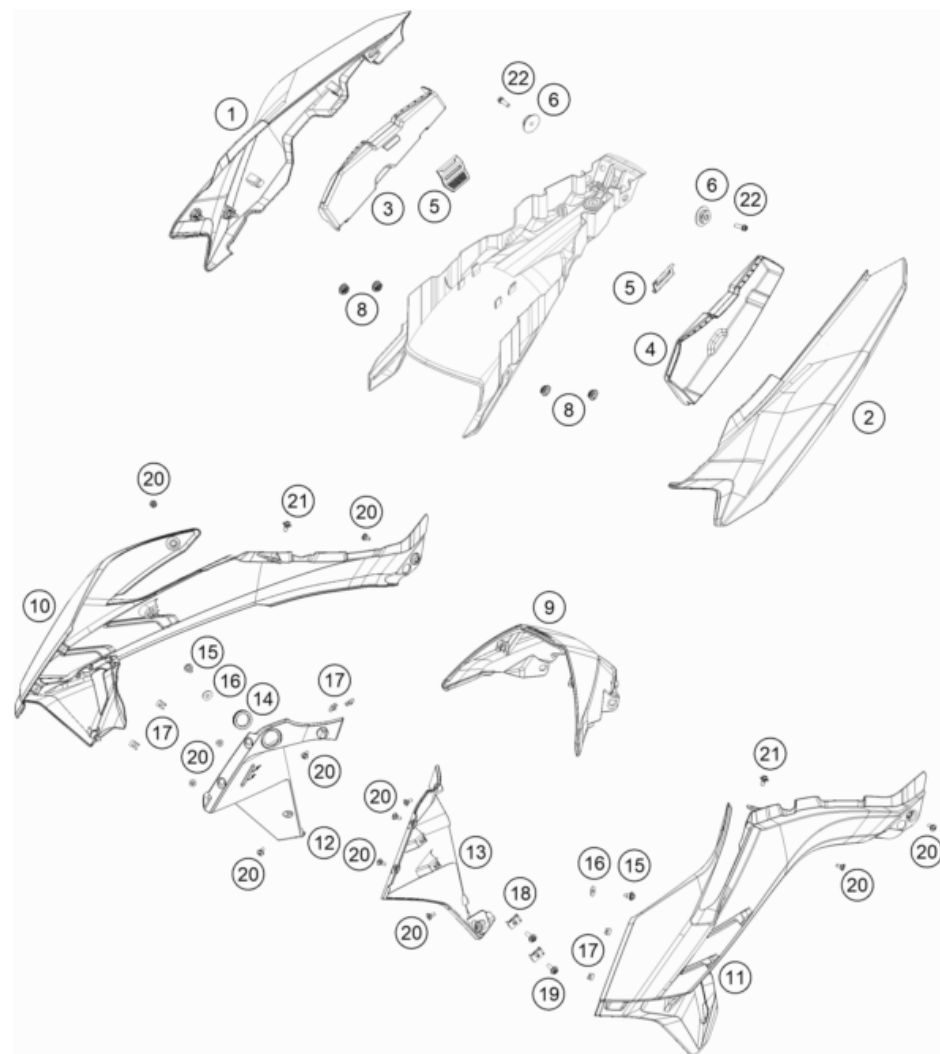
196350811

POS	PARTNUMBER	PARTNAME	PIECE
41	0025060166	HH collar screw M6x16 TX30	4
42	63512009000	Passenger grip right	1
43	63512008000	Passenger grip left	1
44	6061201000030	BAGGAGE CARRIER BRIDGE	1
45	0035080406S	ISA collar screw M8x40 ISA45	4
46	75008023000	WASHER REAR-UT D=14MM	4
47	0025060166S	HH collar screw M6x16 TX30 SL	4
48	64112181000	Bracket for reflector	1
49	58412080400	Rear reflector red	1
51	63514010010	socket adapter plate	1

58136

* NEW PART

X ON DEMAND



POS	PARTNUMBER	PARTNAME	PIECE
1	63508042000C1	Side fairing right	1
2	63508041000C1	Side fairing left	1
3	63508042050	storage box right	1
4	63508041050	storage box left	1
5	63508041055	Closing rubber	2
6	63508040120	Socket sliding seat	2
8	47106003160	quick release rubber grommet	4
9	63511054010	battery cover	1
10	63508051000ABB	Fuel tank spoiler right	1
11	63508050000ABB	Fuel tank spoiler left	1
12	63508024000	inner lining right	1
13	63508023000	inner lining left	1
14	63508024010	rubber gromet inner fairing	1
15	59001092050	SPECIAL SCREW M6X12,5 WS=8	2
16	0021060003	WASHER DIN9021-A 6,4	2
17	69008021080	clip nut M5	6
18	54603048100	clip nut M6	2
19	0024060206	HH collar screw M6x20 TX30	2
20	69008021160	special screw M5x12	12
21	83008000012	special screw M6x12x3	2
22	0025060206	HH collar screw M6x20 TX30	2

196350820

51962

* NEW PART

X ON DEMAND

DECAL

790 ADVENTURE R 2022 2022

POS	PARTNUMBER	PARTNAME	PIECE
1	63508199000	Graphics kit 790 Adv. R 2019	1

①



196350831

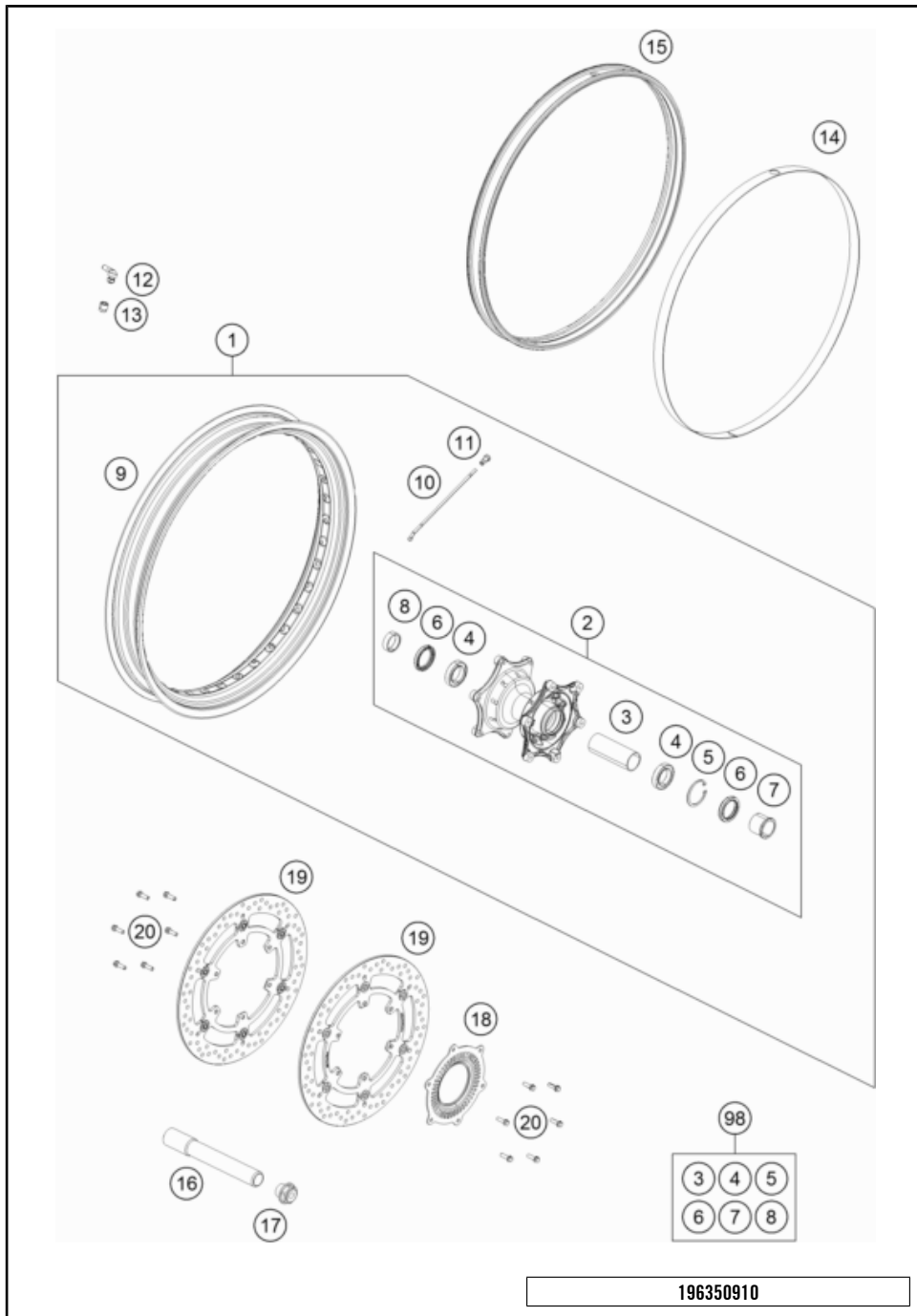
51963

* NEW PART

X ON DEMAND

FRONT WHEEL

790 ADVENTURE R 2022 2022

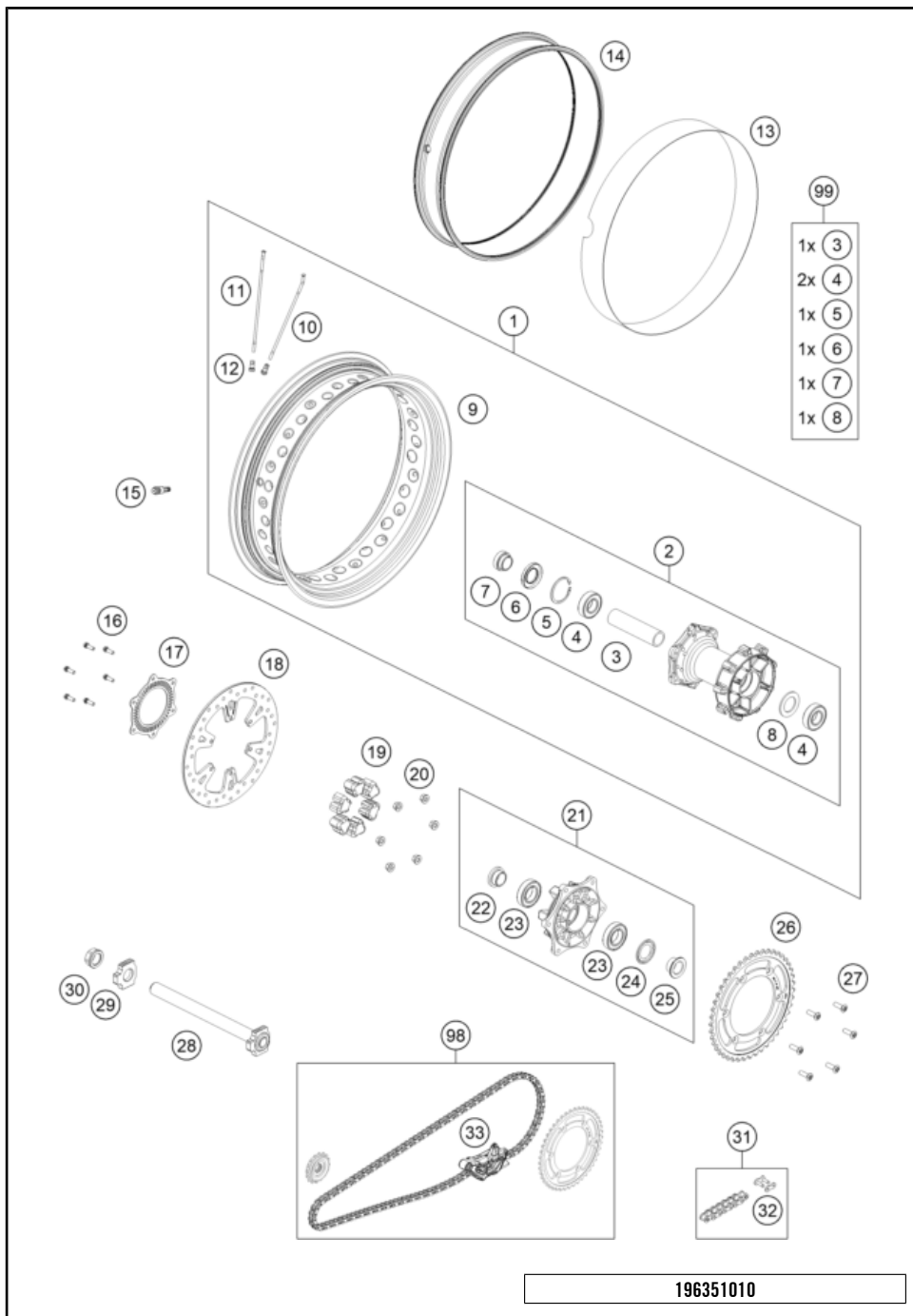


POS	PARTNUMBER	PARTNAME	PIECE
1	6030900124433A	Front wheel cpl. 2,5X21"	1
2	6030901014433	FRONT HUB CPL.	1
3	60309011000	BUSHING SPACER TUBE FRONT	1
4	0625069068	GR.BALL BEAR.6906 DDU2CG23S6NM	2
5	0472047175	CIRCLIP DIN0472-47X1,75	1
6	0760354771	SHAFT SEAL RING 35X47X7 TC	2
7	60309012100	SPACER BUSH. FRONT WHEEL L/S	1
8	60009013000	SPACER BUSH. FR. WHEEL R/S 03	1
9	6030917010033A	Rim 2.5x21"TL.bl.w.sticker	1
10	60309071000	SPOKE 5/4.37/M5	36
11	60310072100	SPOKE NIPPLE QUADRAX M5	36
12	60309176000	VALVE	1
13	60312033050	NUT AIR PRESSURE SENSOR	1
14	60309073100	RIM BAND 21"	1
15	60309177000	GASKET RUBBER 2.5"X21"	1
16	60309081100	Wheel spindle, front	1
17	6900103600001	STEERING HEAD SCREW 09	1
18	60342020000	SENSOR GEAR ABS	1
19	63509060000	BRAKE DISC FRONT D=320	2
20	59009062019	SPECIAL SCREW M6X19 WS=8 10.9	12
98	60609015000	FRONT WHEEL REP. KIT ADV. 1050	x

196350910

53269

* NEW PART X ON DEMAND



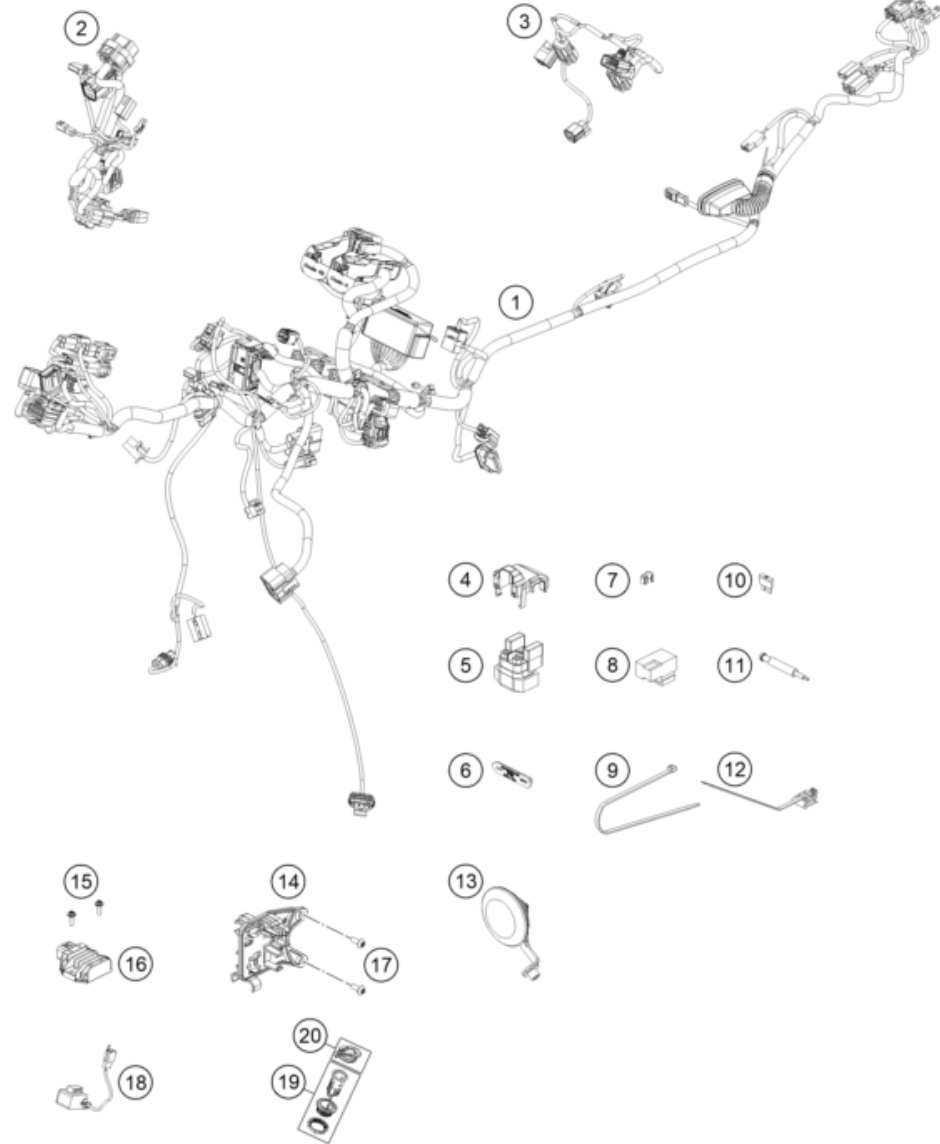
POS	PARTNUMBER	PARTNAME	PIECE
1	6031000124433A	Rear wheel cpl. 4,5X18"	1
2	6031001014433	REAR HUB CPL.	1
3	60010011000	BEAR. SPACERTUBE L=124,8MM 03	1
4	0625062052	GR.BALL BEAR. 6205-2RSHC3HMTF7	2
5	0472052200	CIRCLIP DIN0472-52X2	1
6	0760305271	SHAFT SEAL RING 30X52X7	1
7	60310013000	SPACER BUSHING REAR WHEEL R/S	1
8	60010015000	SPACER RING 03	1
9	6031007010033A	Rim 4,5x18" TL bl.w.sticker	1
10	60310071000	SPOKE 5/4.37/M5	18
11	60310171000	SPOKE 5/4.37/M5	18
12	60310072100	SPOKE NIPPLE QUADRAX M5	36
13	60310073100	RIM BAND 18"	1
14	60310177100	GASKET RUBBER 4.5"X18"	1
15	60309176000	VALVE	1
16	59009062019	SPECIAL SCREW M6X19 WS=8 10.9	6
17	60142021100	SENSOR GEAR ABS REAR	1
18	63510060100	Brake disc rear	1
19	54610459000	RUBBER DAMPING BLOCK '91	6
20	06923080003	hex nut EN 1661 M8 WS13	6
21	7501005004433	Sprocket wheel carrier cpl. Black	1
22	60110014000	SPACER BUSH. SPR. SUPP. IN. 06	1
23	06250600060	BALL BEARING 6006 DDU2CG23S6NM	2
24	60110016000	NILOS RING 6006AV	1
25	60110012000	SPACER BUSH. SPROCKET SUPP. 06	1
26	75010051045	SPROCKET 45T 08	1
27	0019080266S	COUNTER-SUNK SCREW ISA45 M8X26	6
28	69010181044	Rear axel cpl.	1
29	60010084000	CHAIN TENSIONER R/S LC8 03	1
30	61010086000	COLLAR NUT M25X1,5 WS=32 05	1
31	78010167118	CHAIN DID 118 LINKS	x
32	78010166100	RIVETING LINK FOR 78010167118	x
33	63510067118	chain X-Ring 118 links with chain guide	1
98	00050002100	Drive set 16/45	x
99	60310015000	REAR WHEEL REP. KIT ADV 13-14	x

196351010

51618

* NEW PART

X ON DEMAND



POS	PARTNUMBER	PARTNAME	PIECE
1	63511075000	Main wiring harness	1
2	63511078000	Front wiring harness	1
3	63511085000	Engine wiring harness	1
4	64111058010	Cover cap starter relay	1
5	76211058000	STARTER RELAY 07	1
6	60011093075	RUBBER CABLE TIE 75MM 03	x
6	60011093045	RUBBER CABLE TIE 45MM 03	x
7	60111094100	BAR SPACER 4/7 BLACK	2
8	61111057000	RELAY CM1A-R-12V-H80 07	5
9	44011076305	CABLE TIE 300/4,8MM BLACK	x
9	44011076140	CABLE TIE 140/2,5MM BLACK	x
9	44011076200	CABLE TIE 200/3,6MM BLACK	x
10	58011109130	FUSE 30 A	1
11	61111018100	TEMPERATURE SENSOR	1
12	64111059020	Cable holder, attachable	1
13	76011060100	DC HORN 12V	1
14	63511048000	Front connector support	1
15	0024060206	HH collar screw M6x20 TX30	2
16	60311034000	VOLTAGE REGULATOR	1
17	58605083014	SCREW M5X14 TORX 25 07	2
18	76011030000	FLASHER UNIT LED 6,25W	1
19	60711042000	Power socket 12V	1
20	60311042050	Lid 12V-socket	1

196351110

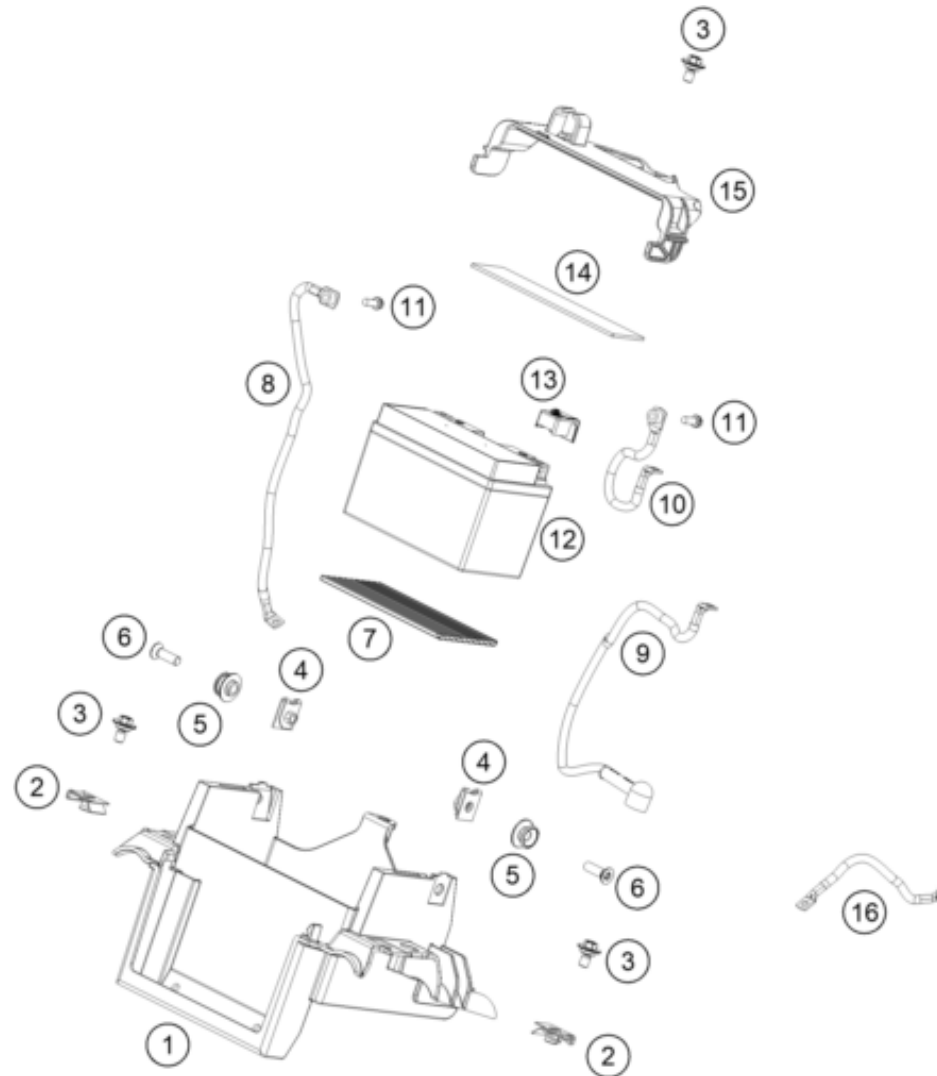
51907

* NEW PART

X ON DEMAND

BATTERY

790 ADVENTURE R 2022 2022



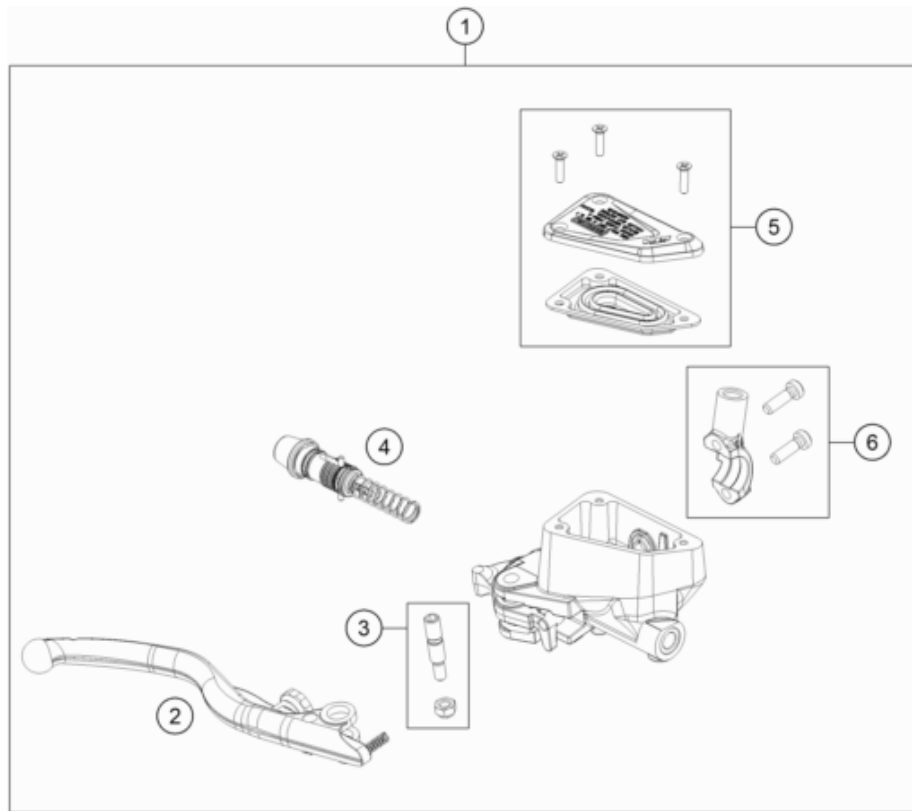
POS	PARTNUMBER	PARTNAME	PIECE
1	63508025010	Electrical system front support	1
2	54603048100	clip nut M6	2
3	83008000012	special screw M6x12x3	3
4	93008082010	Range change metal nut M6	2
5	63507040070	Seat bushing	2
6	014581060201	Count.snk screw M6x20 TX30	2
7	63511053050	rubber battery holder	1
8	63511097000	Ground wire	1
9	63511059000	Starter cable	1
10	63511059050	battery cable	1
11	0025060166	HH collar screw M6x16 TX30	2
12	64111053000	battery HTZ12A-BS(DA)	1
13	62111059060	COVER POSITIVE POLE	1
14	63508055010	Foam rubber 33x132	1
15	63508055000	Clamping bracket	1
16	64111096000	mass cable starter-frame	1

196351130

51904

* NEW PART

X ON DEMAND



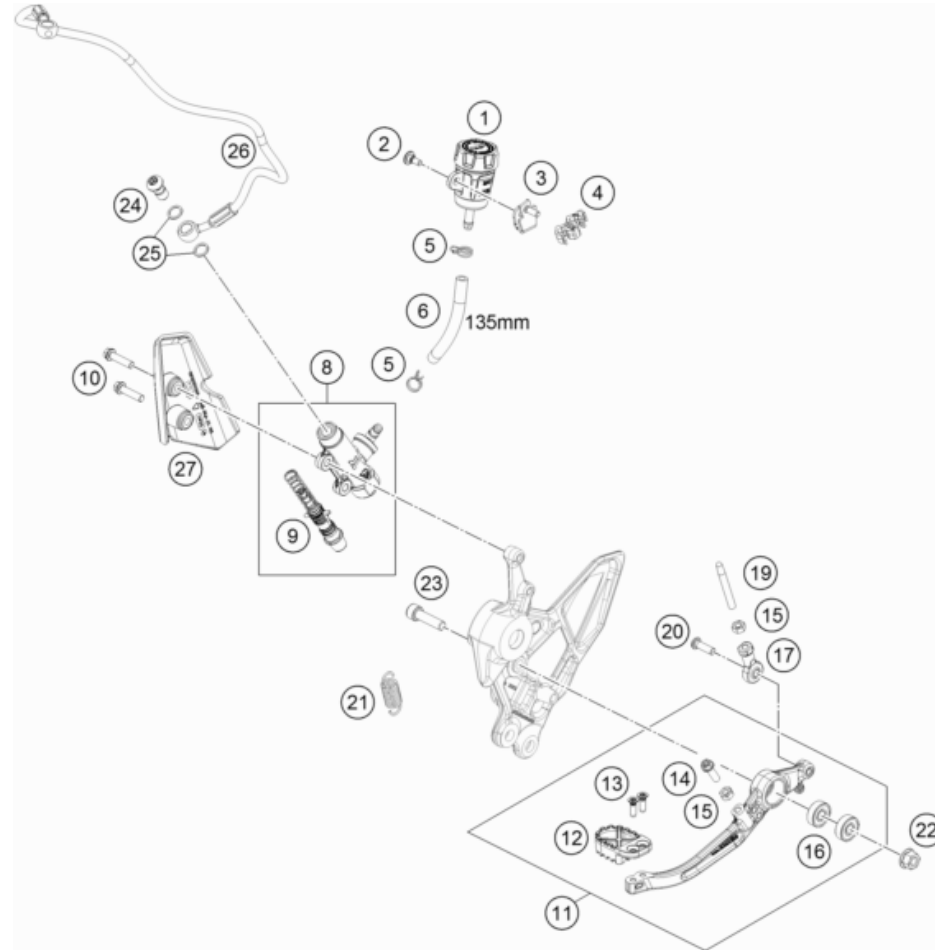
196351310

POS	PARTNUMBER	PARTNAME	PIECE
1	63513001033	Front master cylinder cpl.	1
2	63513002044	Brake lever	1
3	64113006000	Lever bolt cpl.	1
4	63513008000	Piston repair kit	1
5	64113031000	Reservoir cap cpl.	1
6	6351300500030	mirror clamp incl. 2 screws	1
7	63542001000	Brake line MC-ABS	1
8	62113020100	banjo bolt M10x1x19.5	1
9	0603100141	sealing ring DIN 7603 10x14x1	2

51632

* NEW PART

X ON DEMAND



POS	PARTNUMBER	PARTNAME	PIECE
1	64113069000	Reservoir assembly	1
2	69013099050	SCREW F. EXPANSION TANK	1
3	64113026000	Brake line holder	1
4	64142046000	Bracket ABS line dia7.5	1
5	58007017000	YDNAC CLAMP 10101 (10,4MM)	2
6	69013069001	HOSE FOR RESERVOIR 6X1,5	1
8	6411306000030	Foot master cylinder cpl. black	1
9	64113061000	Piston assembly	1
10	0025060256	HH collar screw M6x25 TX30	2
11	63513050033C1	Foot brake lever cpl. without push rod	1
12	63513051000	Footbrake lever step plate	1
13	014581050162	CS screw, ISO14581-M5x16-A2-070 ISA25	2
14	0025060206	HH collar screw M6x20 TX30	1
15	0934060003	hex nut DIN 934 M6	2
16	0625006087	GROOVED BALL BEAR. 608 2RS C3	2
17	54603069000	SWIVEL HEAD M6 FOOT BRAKE LEV.	1
19	54603068000	PRESSURE ROD ALU 250 '90	1
20	0738060205S	Oval head screw ISR M6x20-A2-70-MK	1
21	54603062200	Return spring for brake lever	1
22	54310086200	SELF LOCKING NUT M8 10.9	1
23	014579080301S	screw ISO 14579-M8x30-10.9-MK black	1
24	62113020100	banjo bolt M10x1x19.5	1
25	0603100141	sealing ring DIN 7603 10x14x1	2
26	63542002000	Brake line MC-ABS	1
27	63503039051	Rear master cylinder guard	1

196351330

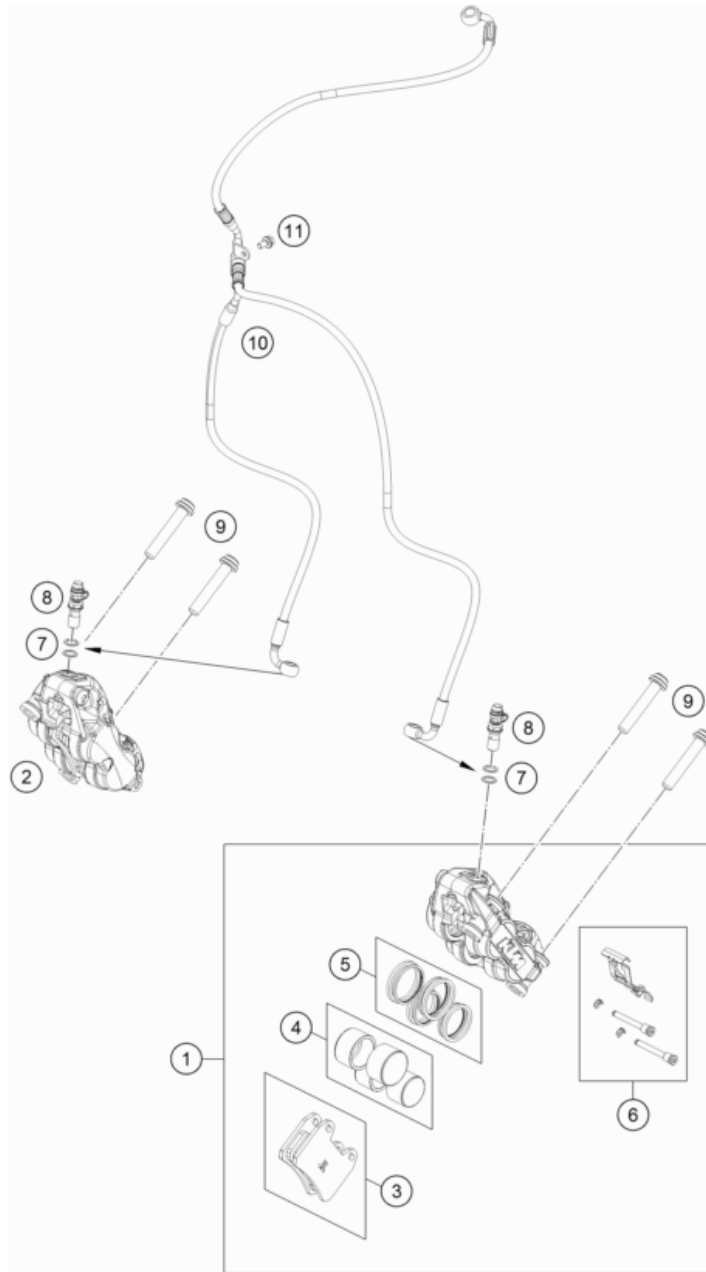
51636

* NEW PART

X ON DEMAND

FRONT BRAKE CALIPER

790 ADVENTURE R 2022 2022



POS	PARTNUMBER	PARTNAME	PIECE
1	63513115000	Front brake caliper left	1
2	63513116000	Front brake caliper right	1
3	64113030000	Brake pad set front	2
4	63513019000	Piston set	2
5	64113021000	Square and dust seal set	2
6	64113017000	Retaining spring set	2
7	0603100141	sealing ring DIN 7603 10x14x1	4
8	62513020000	BLEEDER SCREW CPL. 05	2
9	0035100559S	AH-COLLAR SCREW M10X1,25X55SS	4
10	63542103000	Front brake line brake caliper	1
11	0025050106	HH collar screw M5x10 TX30	1

196351360

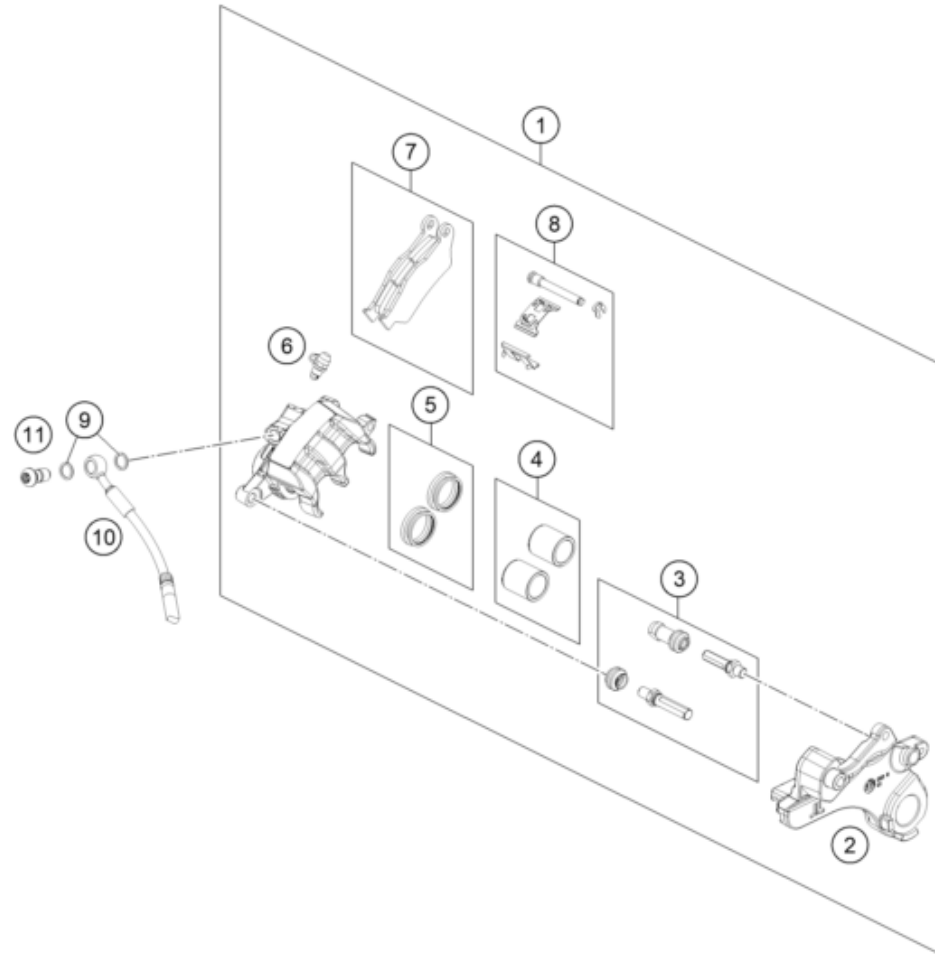
51964

* NEW PART

X ON DEMAND

REAR BRAKE CALIPER

790 ADVENTURE R 2022 2022



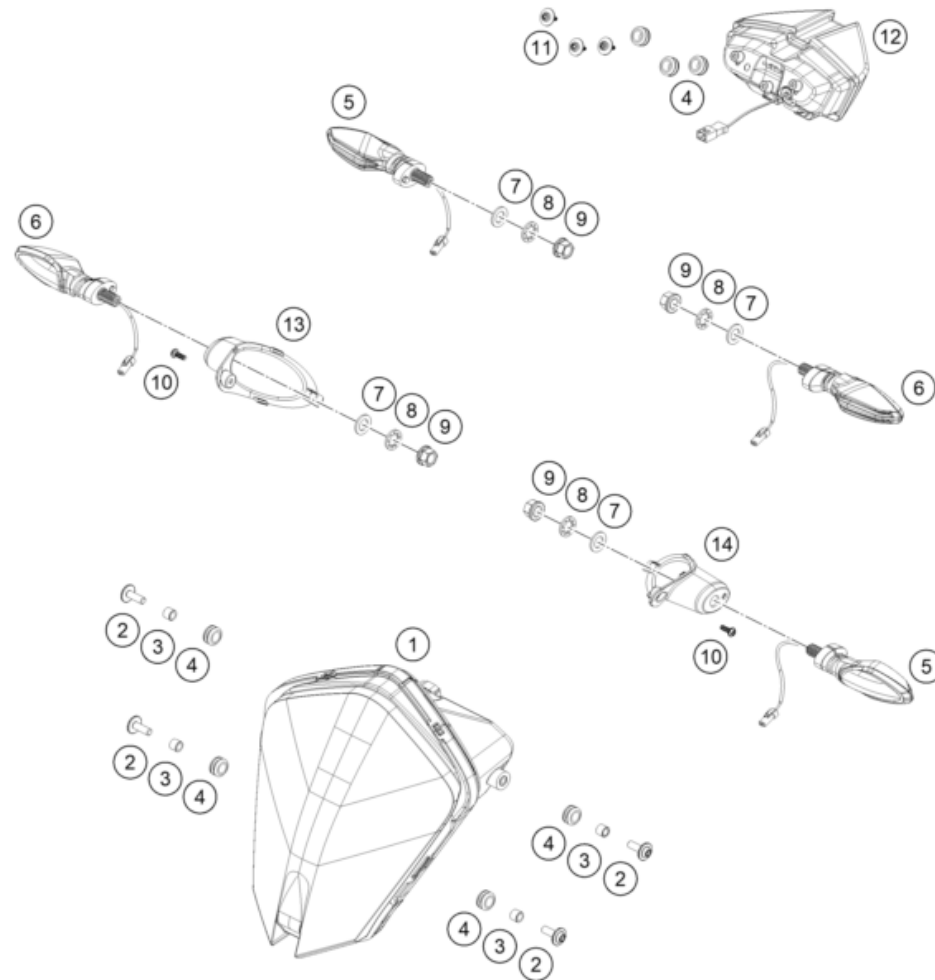
POS	PARTNUMBER	PARTNAME	PIECE
1	63513080000	rear caliper	1
2	63513075000	rear holder	1
3	64113084000	Cup set	1
4	63513083000	Piston set	1
5	63513081000	Seal set	1
6	64113020000	Bleeder + cap	1
7	63513090000	Rear padsq	1
8	63513085000	Pad pin and spring	1
9	0603100141	sealing ring DIN 7603 10x14x1	2
10	63542004000	Brake links ABS-Caliper	1
11	62113020100	banjo bolt M10x1x19.5	1

196351390

51635

* NEW PART

X ON DEMAND



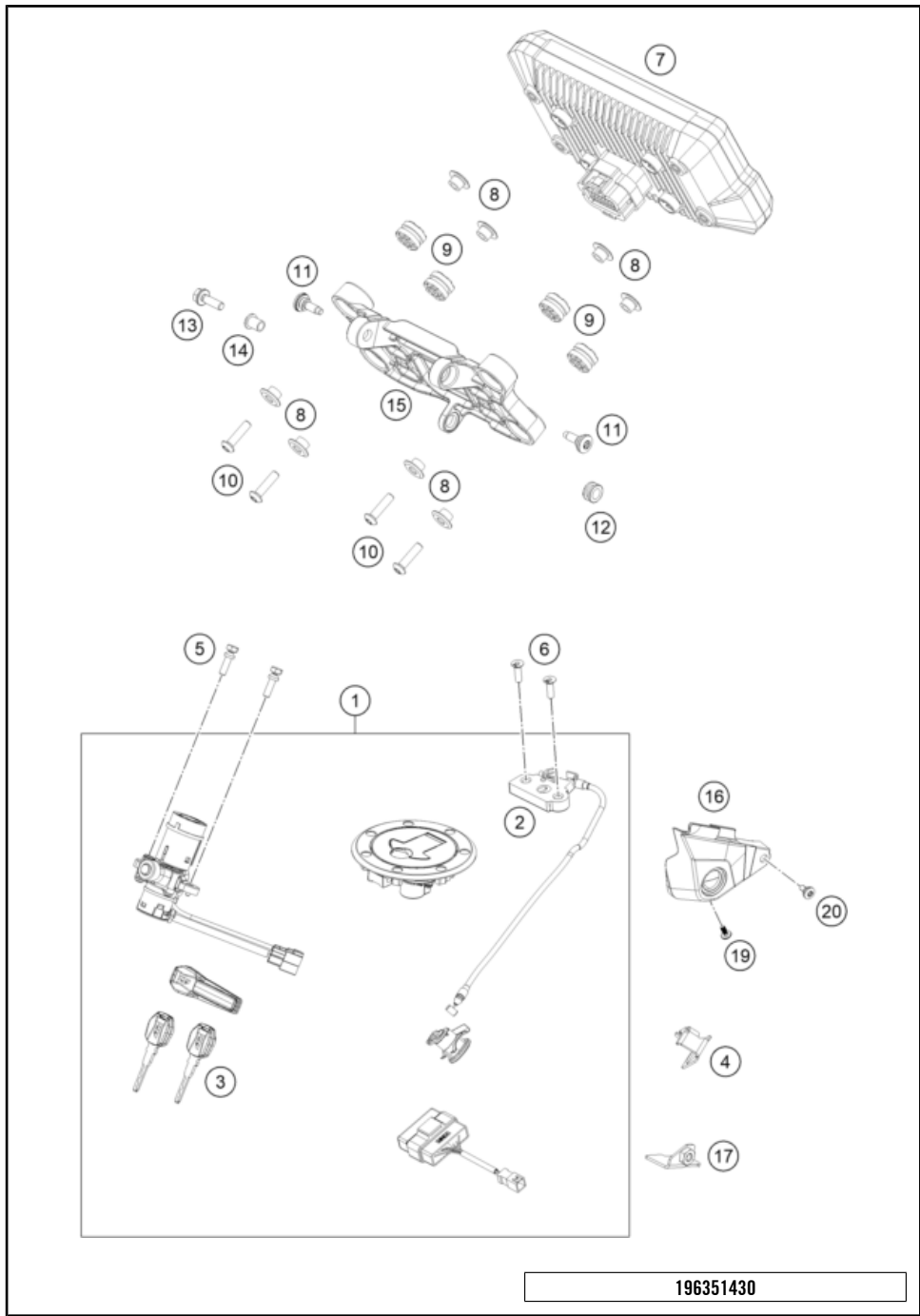
POS	PARTNUMBER	PARTNAME	PIECE
1	63514001200	Headlight	1
2	69014017000S	special screw M6x22-8.8 ISA30 MK	4
3	69014014000	BUSHING 6,1X9,2X7,5 08	4
4	60006001022	rubber grommet 9x11x16x8.5 mm	7
5	60314025000	turn signal front left/rear right	2
6	60314026000	turn signal front right/rear left	2
7	0433100003	WASHER 18x10,5x1,6	4
8	0797100003	LOCK WASHER DIN6797-J10,5 ZI	4
9	58414030000	HH COLLAR NUT M10X1,25 WS=13	4
10	0081040121	EJOT Delta PT K40x12	2
11	0081645121	EJOT DELTA PT SCREW 45X12-Z	3
12	63514040000	Tail light	1
13	63514011090	Right flasher adapter	1
14	63514010090	Left flasher adapter	1

196351410

53337

* NEW PART

X ON DEMAND



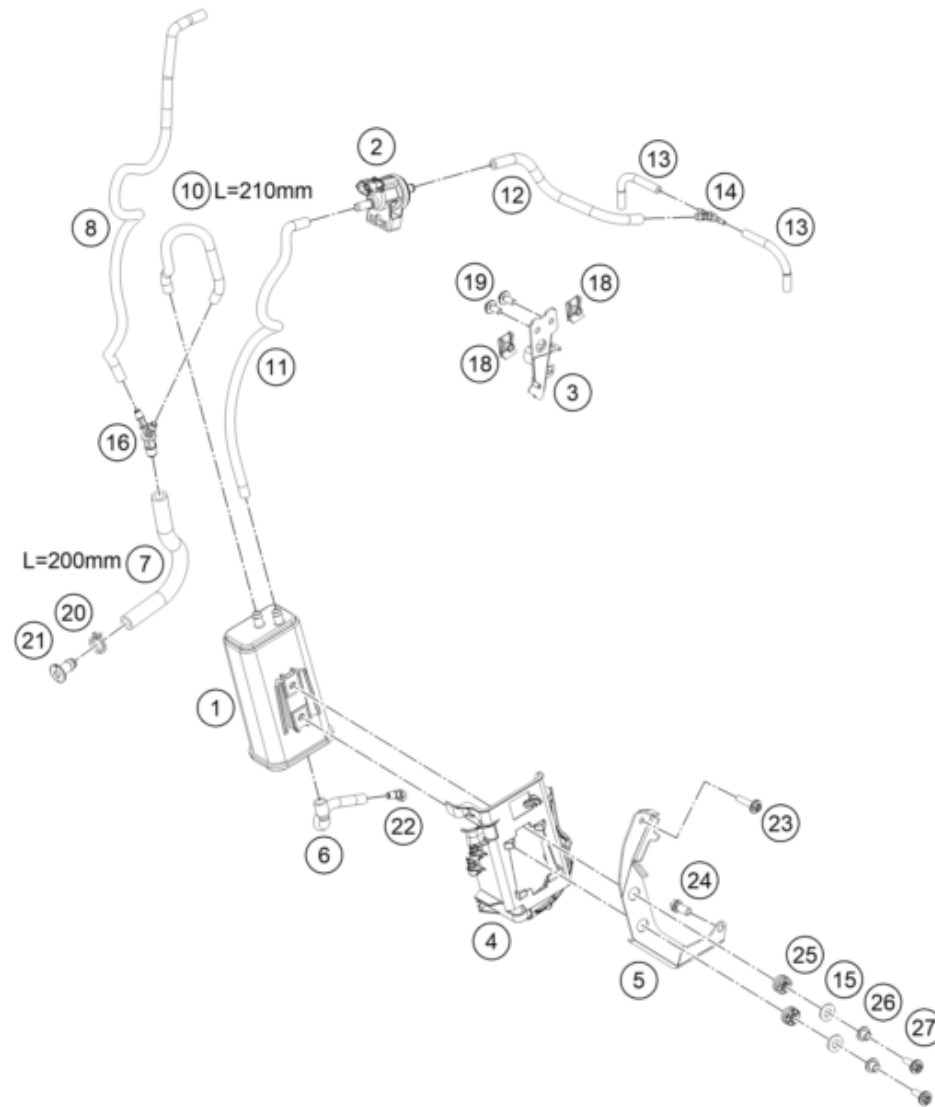
196351430

POS	PARTNUMBER	PARTNAME	PIECE
1	63511066044	Lockset cpl.	1
2	63507050000	Seat lever assy	1
3	64111067000	KTM ignition key	1
3	64111067010	Blank Key KTM	x
4	64107051000	Cable Bracket Lock	1
5	76011064200	Tear-off screw M6 ignition lock ISA30 MK	2
6	0738060205S	Oval head screw ISR M6x20-A2-70-MK	2
7	63514069100	Dashboard	1
8	60714069050	Bushing	8
9	61314069051	DAMP. COMPONENT SPEEDOMETER	4
10	0738050202	Lens head screw ISO 7380-M5X20A2	4
11	69008021060	special screw M5x17	2
12	60708008070	rubber bush windshield fixation	1
13	0025050166	HH collar screw M5x16 TX30	1
14	63514011010	wheel spindle mask support	1
15	63514062000	Instrument support	1
16	63507050050	Lock cover	1
17	6351401006033	retaining bracket immobilizer cpl.	1
19	0081045121	SCREW FOR PLASTIC K45X12 T20	1
20	69008021160	special screw M5x12	1

53945

* NEW PART

X ON DEMAND



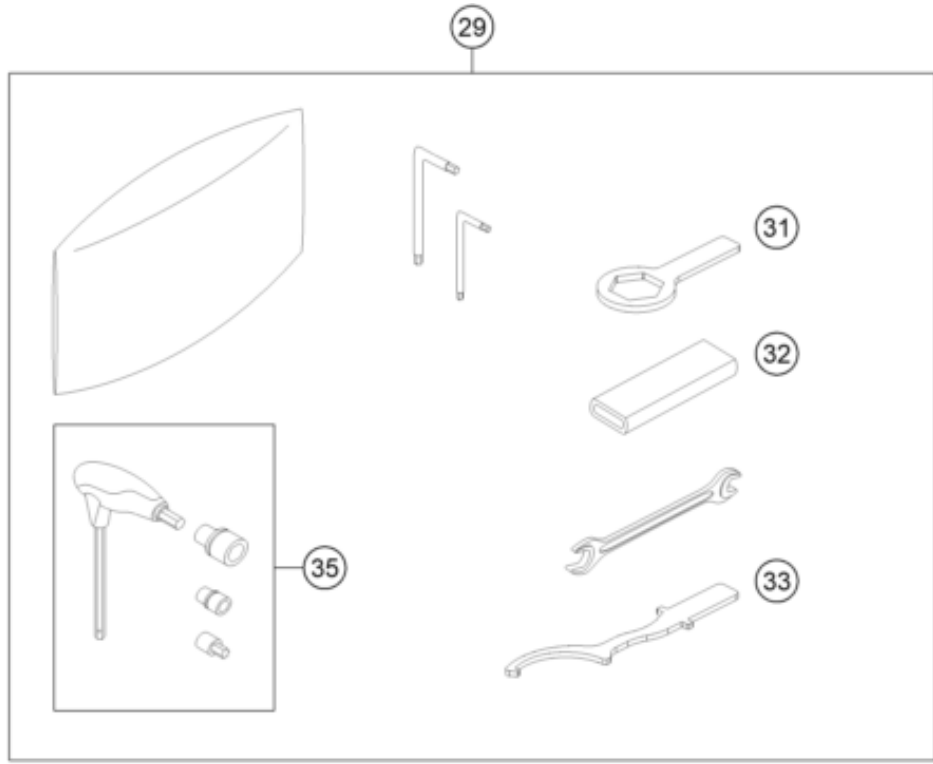
216351510

POS	PARTNUMBER	PARTNAME	PIECE
1	75015001200	CARBON CANISTER	1
2	76015015000	EVAP valve	1
3	63515026010	Retaining bracket ACF valve cpl.	1
4	63515003010	Hose clip ACF	1
5	6351500201033	Retaining bracket ACF	1
6	63515021000	ventilation hose evap.can.	1
7	78015119000	HOSE EPA D=10/16 L=2000MM	1
8	63515024100	Fuel tank vent hose 688mm	1
10	78015019000	HOSE EPA D=6/10 L=2000MM	1
11	63515028000	Hose ACF purge valve	1
12	78015019000	HOSE EPA D=6/10 L=2000MM	1
13	78015021000	HOSE EPA D=4/8 L=2000MM	2
14	64115026000	Hose connection nozzles	1
15	50337073000	shim	2
16	61315028100	Y-CONNECTOR YS 6-10-6	1
18	54603048100	clip nut M6	2
19	0024060136	HH collar screw M6x13 TX30	2
20	58431082100	YDNAC-CLAMP 10173 (16MM) '98	1
21	61315026100	Screw plug ACF	1
22	63503098030	Angle piece for overrun	1
23	0024060256	HH COLLAR SCREW M6X25 TX30	1
24	0025060166	HH collar screw M6x16 TX30	1
25	62142041000	DAMP. COMPONENT ABS MODUL	2
26	69014015000	collar bushing 6.1x9.2x15x8.5x1 Al	2
27	0024060206	HH collar screw M6x20 TX30	2

56334

* NEW PART

X ON DEMAND



OHNE ABBILDUNG
WITHOUT ILLUSTRATION

0

TECHNISCHE DOKUMENTATION
TECHNICAL DOCUMENTATION
DOCUMENTACION TECNICA
DOCUMENTATION TECHNIQUE
NOTE TECNICHE

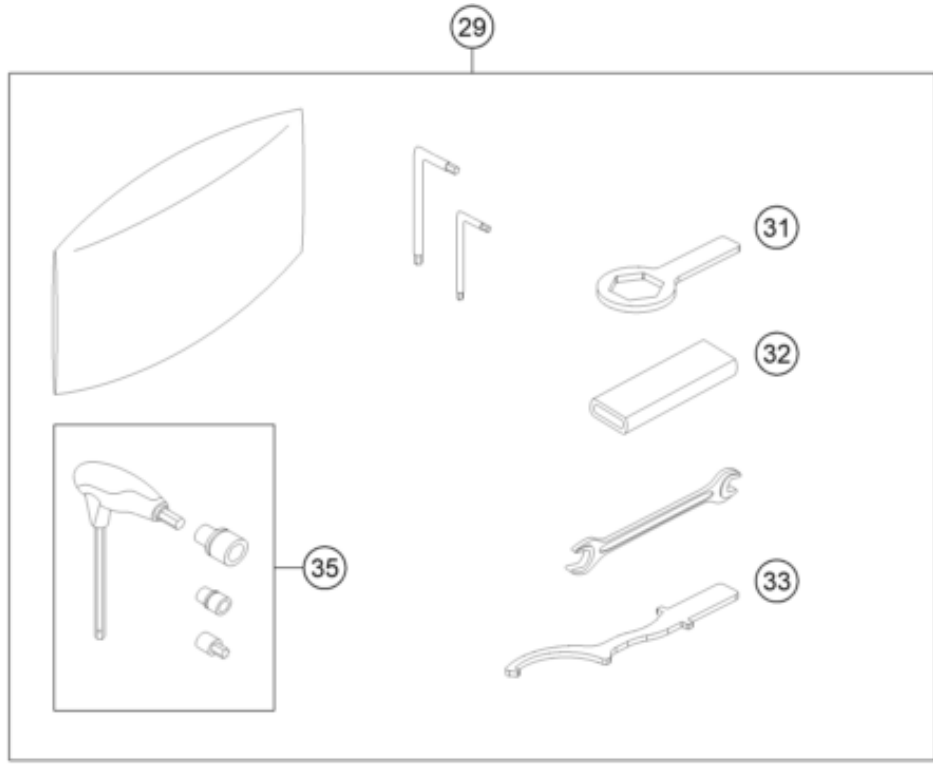
1

196352000

POS	PARTNUMBER	PARTNAME	PIECE
0	58412040100	mirror, left/right	1
0	28512040000	mirror, right	1
0	0025060086	HH collar screw M6x8 TX30	2
0	63503090000	Skid plate bottom part compl.	1
0	63503090016	Lower Alu Skidplate Support	1
0	0024060106	HH COLLAR SCREW M6X10 TX30	7
0	63503097010	Front spoiler left	1
0	83008000012	special screw M6x12x3	2
0	69014017000	SPECIAL SCREW M6X18 ISA30 08	2
0	62142041000	DAMP. COMPONENT ABS MODUL	3
0	63503098010	Front spoiler right	1
0	69014117000	Collar screw M6x22-8.8 ISA30	4
0	60006001021	DISTANCE RUBBER AIRBOX 03	2
0	61342041000	COLLAR BUSH 6,5X9X18X8,5	6
0	63508008050	windshield support	1
0	62142041100	DUMPER 40 SHORE	3
0	63508108000	Windshield R EU	1
0	60708008070	rubber bush windshield fixation	2
0	60708008071	Special screw M5x14	2
0	64112181000	Bracket for reflector	1
0	58412080400	Rear reflector red	1
0	69008021160	special screw M5x12	1
0	312305	DOCUMENTS BAG 2006	1
0	312313	KTM BALLPOINT PEN ORANGE	1
0	00063004202	PRINT LABEL 60X51 MM	1
0	20180189INT	Sticker accessory kit	1
0	00063004012	HEADLIGHT MASK BOX	1
0	56509064100	SELF LOCKING NUT M6 10.9	2
0	00063004108	Bubble wrap blanks 80MY	2
0	00063001022	Foam cutout spoiler protection SD-GT	2
0	00063004106	SPIRALHÜLSEN LC4 + LC8	2
0	00063004105	950 ADV. CARTON F WIND PROT.	1
0	0025060166	HH collar screw M6x16 TX30	4
0	60408061050	RUBBER 14X6.5X2.3MM	2
0	0025050166S	HH Collar Screw M5x16 ISA30 SS	4
0	00063004204	Self-ad. stkr. 100X200 mm, perf., art. 3	2
1	3214533EN	Owner Manual 790 Adventure R 2022	1
29	63529099000	On-board tool kit	1

59519

* NEW PART X ON DEMAND



OHNE ABBILDUNG
WITHOUT ILLUSTRATION

0

TECHNISCHE DOKUMENTATION
TECHNICAL DOCUMENTATION
DOCUMENTACION TECNICA
DOCUMENTATION TECHNIQUE
NOTE TECNICHE

1

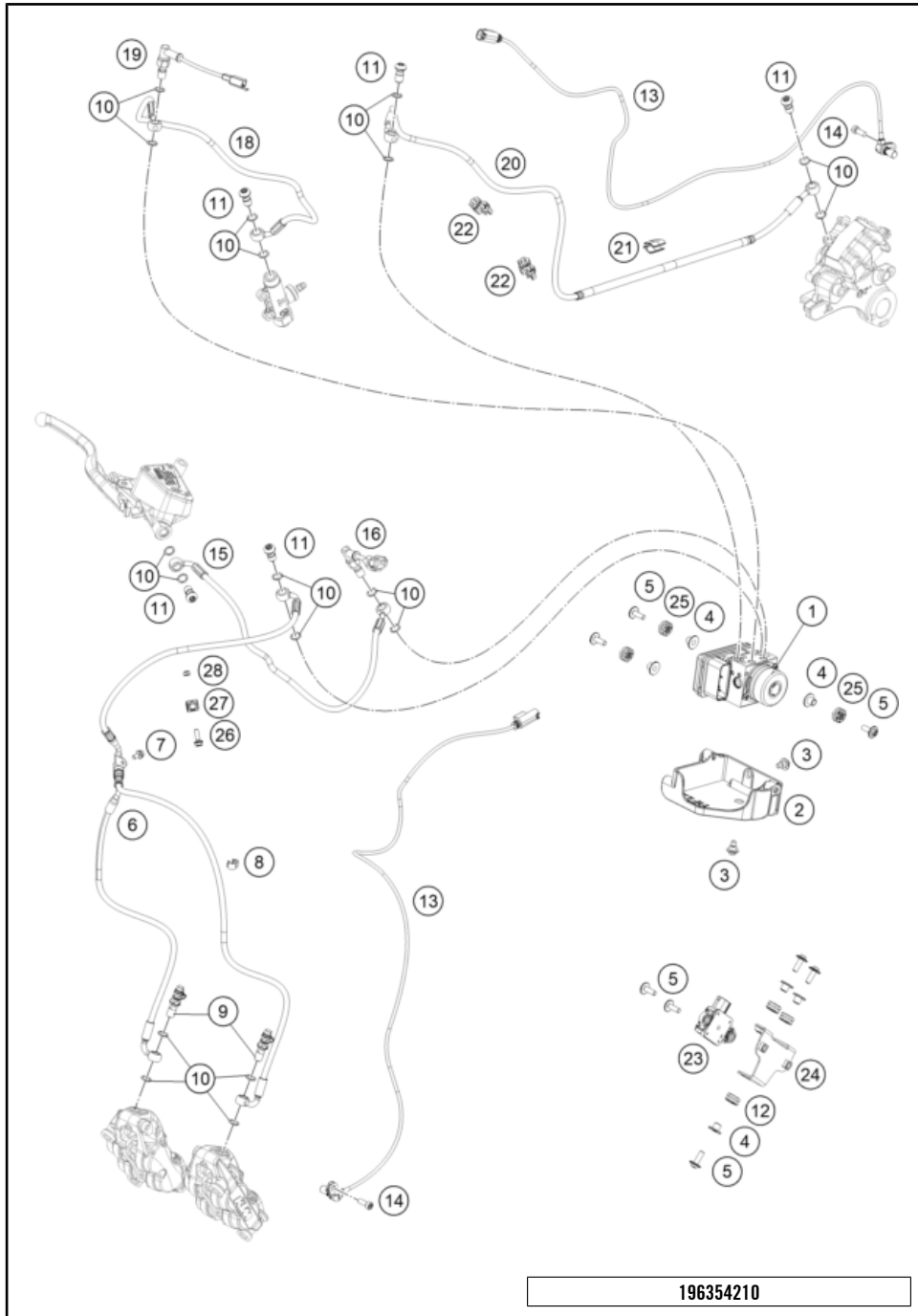
196352000

POS	PARTNUMBER	PARTNAME	PIECE
31	60012060032	RING WRENCH 32MM	1
32	60012060000	GRIP FOR RING WRENCH	1
33	76029062000	HOOK WRENCH F. SHOCK ABSORBER	1
35	50329070000	T-WRENCH WS=6/8/10 '97	1

59519

* NEW PART

X ON DEMAND



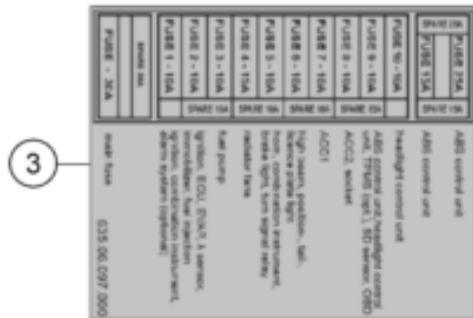
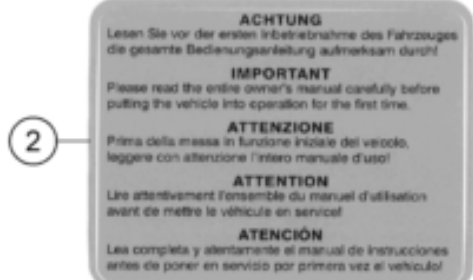
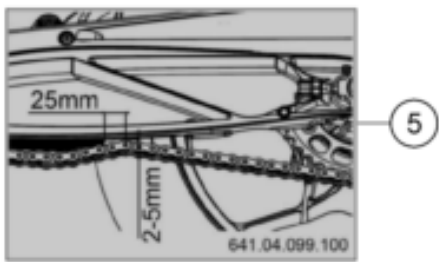
POS	PARTNUMBER	PARTNAME	PIECE
1	63542031044	ABS-modul	1
2	63542040000	holder ABS module	1
3	59001092050	SPECIAL SCREW M6X12,5 WS=8	2
4	61342041000	COLLAR BUSH 6,5X9X18X8,5	6
5	69014017000	SPECIAL SCREW M6X18 ISA30 08	8
6	63542103000	Front brake line brake caliper	1
7	0025050106	HH collar screw M5x10 TX30	1
8	60111094100	BAR SPACER 4/7 BLACK	8
9	62513020000	BLEEDER SCREW CPL. 05	2
10	0603100141	sealing ring DIN 7603 10x14x1	18
11	62113020100	banjo bolt M10x1x19.5	5
12	62142041100	DUMPER 40 SHORE	3
13	76042125000	ABS-SENSOR	2
14	014580060166	SHCS ISO 14580 M6x16	2
15	63542001000	Brake line MC-ABS	1
16	63711051000	Brake light switch	1
18	63742002000	Brake line, rear master cylinder	1
19	62111051000	BRAKE LIGHT SWITCH REAR	1
20	63742004000	Brake line, rear brake caliper	1
21	54813026100	CABLE SUPPORT 10/4MM 2014	1
22	64142046000	Bracket ABS line dia7.5	2
23	61542090000	Angle sensor	1
24	6354219003033	Retaining bracket, angle sensor cmpl.	1
25	62142041000	DAMP. COMPONENT ABS MODUL	3
26	0025050166	HH collar screw M5x16 TX30	1
27	60113146000	SUPPORT FOR BRAKE HOSE M5	1
28	0985050003	SELF LOCKING NUT DIN0985-M 5	1

196354210

59518

* NEW PART

X ON DEMAND



790 ADVENTURE-R 635.06.098.000	FORK		SHOCK	
	Compression (mm)	Rebound (mm)	Spring preload (mm)	Rebound (mm)
Comfort	20	18	0	20
Standard	18	18	0	18
Sport	10	10	0	10
Max. payload	15	15	3	7
Offroad Comfort	20	18	0	20
Offroad Standard	18	18	0	18
Offroad Sport	10	10	0	10

790 ADVENTURE R 635.03.097.100	
Part:	RCR 95 unleaded (USA + PREMIUM PCM 95)
Tyre front:	80SR R21 Soft
Air pressure front:	ride only 2.4 bar (35 psi)
	max. payload 2.8 bar (38 psi)
Tyre rear:	150/70 R19 70R
Air pressure rear:	ride only 2.4 bar (35 psi)
	max. payload 2.8 bar (42 psi)
Max. payload:	240 kg (529 lbs)
Max. total weight:	490 kg (1082 lbs)
Engine oil:	fully synthetic 10W50

POS	PARTNUMBER	PARTNAME	PIECE
1	50203098003	Sticker "WARNING LABEL 3"	1
2	50307098000	STICKER "OWNERS MANUAL"	1
3	63506097000	Sticker fuse	1
4	63506098000	Sticker STD setting	1
5	64104099100	Sticker chain tension	1
6	63503095000	Sticker ECE	1
7	21007098000	Sticker fuel labelling	1
8	21003094000	"Sticker ""EAC"""	1
9	63503596000	Sticker speedlimit	1
10	63503097100	Sticker technical information	1

216358014

57270

* NEW PART X ON DEMAND

A large, empty rectangular box with a thin black border, occupying the majority of the page. It is intended for students to write their notes during the course.

A large, empty rectangular box with a thin black border, occupying the majority of the page. It is intended for students to write their notes during the course.

A large, empty rectangular box with a thin black border, occupying the majority of the page. It is intended for handwritten notes.

KTM.COM



F9688V3EN

KTM Sportmotorcycle GmbH
5230 Mattighofen, Austria
www.ktm.com

KTM POWERPARTS

KTM POWERWEAR

KTM ORIGINAL SPARE PARTS

