

690 SMC R 2021 2021

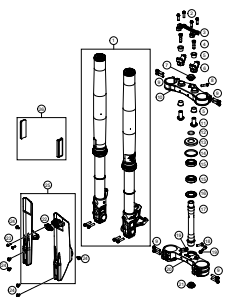
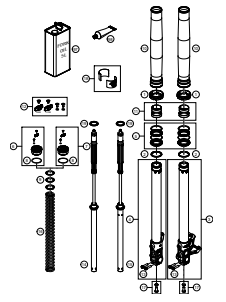
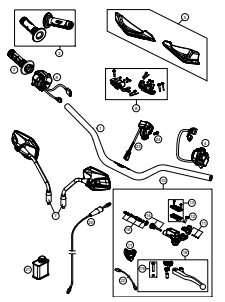
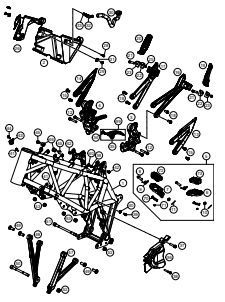
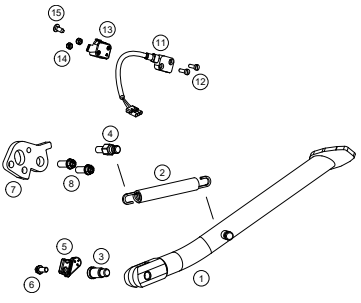
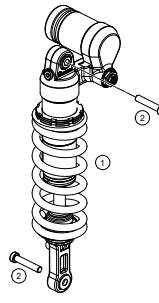
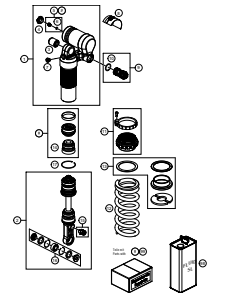
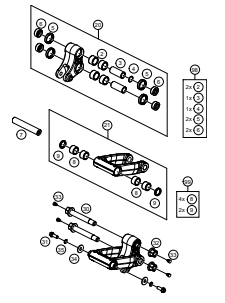
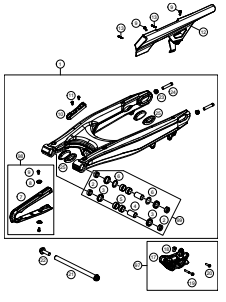
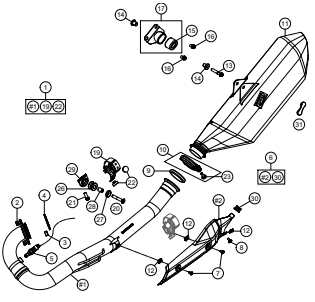
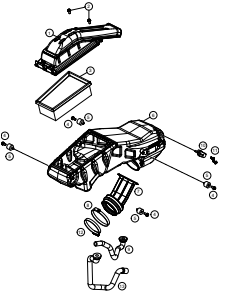
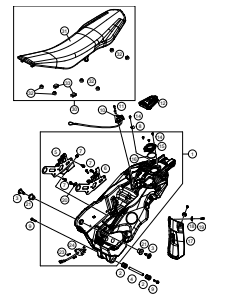
ART.-NR.: F9703U9EN

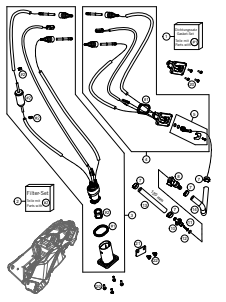
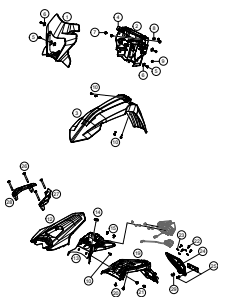
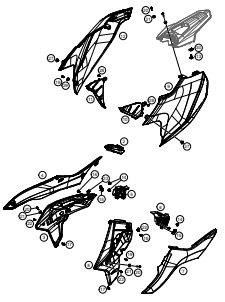

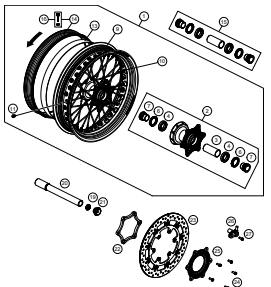
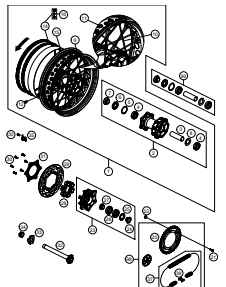
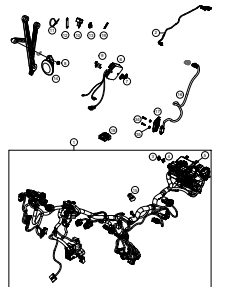
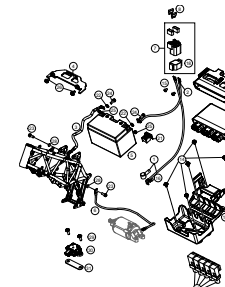
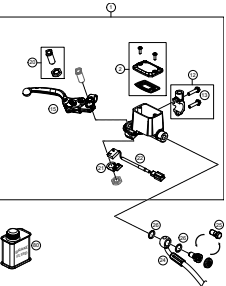
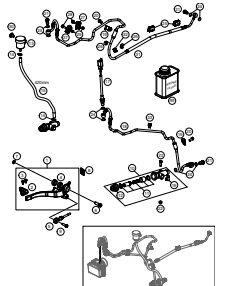
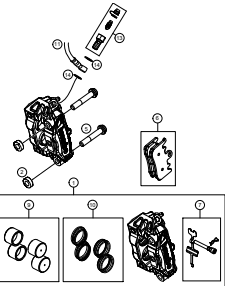
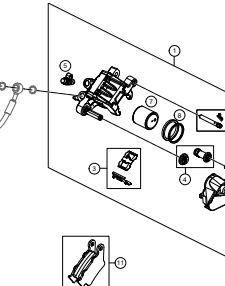


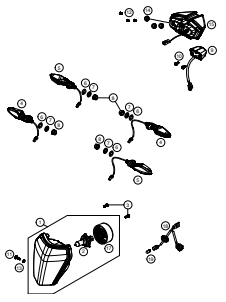
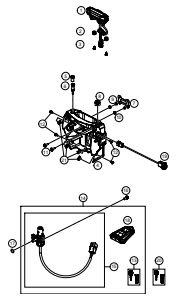
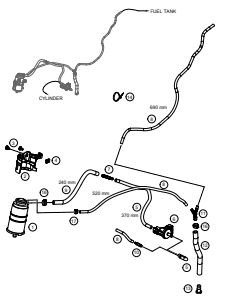
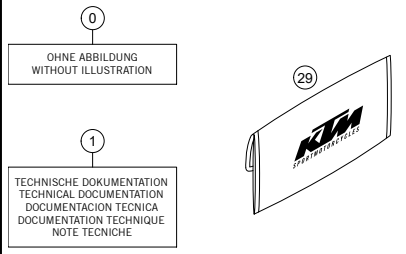
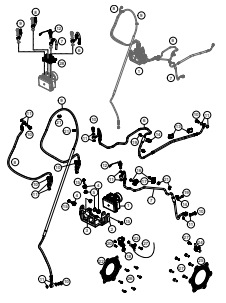
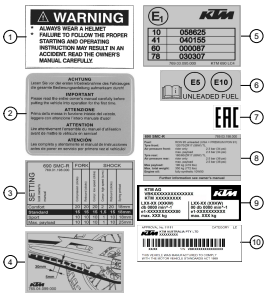


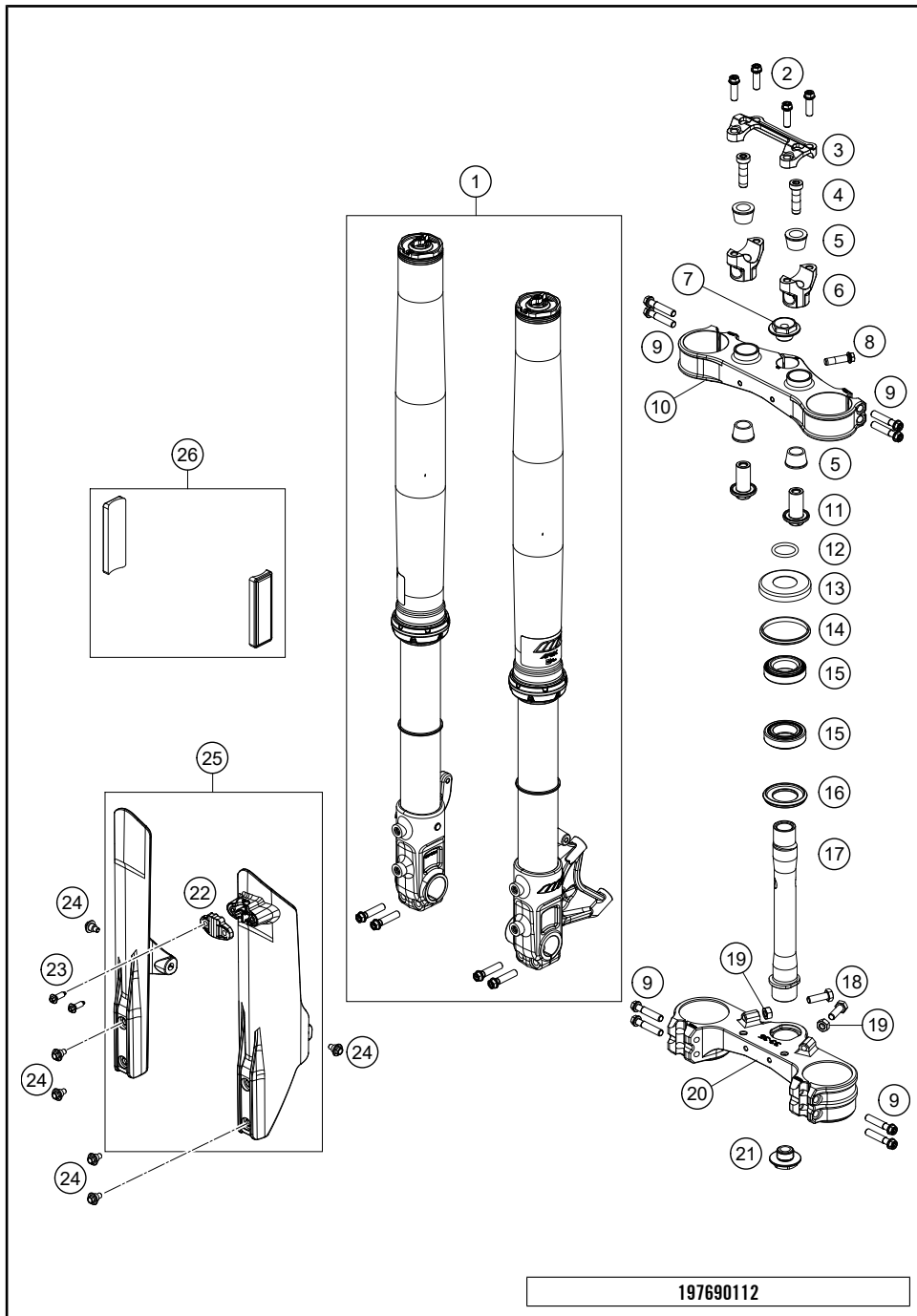
All information contained is without obligation. KTM Sportmotorcycle GmbH particularly reserves the right to modify any equipment, technical specifications, prices, colors, shapes, materials, services, service work, constructions, equipment and the like so as to adapt them to local conditions or to cancel any of the above items, all without previous announcement and without giving reasons. KTM may stop manufacturing certain models without previous notice. KTM shall not be held liable for any deviations of availability and/or ability to deliver, illustrations, descriptions, printing and/or other errors. The illustrated models partly contain extra equipment, which is not applied to standard models.

© by KTM Sportmotorcycle GmbH, Mattighofen AUSTRIA; All rights reserved; Reprint, also in extracts, with written allowance of KTM Sportmotorcycle GmbH, Mattighofen only.

<p>FRONT FORK, TRIPLE CLAMP</p>  <p>4</p>	<p>FRONT FORK DISASSEMBLED</p>  <p>5</p>	<p>HANDLEBAR, CONTROLS</p>  <p>6</p>	<p>FRAME</p>  <p>7</p>
<p>SIDE / CENTER STAND</p>  <p>9</p>	<p>SHOCK ABSORBER</p>  <p>10</p>	<p>SHOCK ABSORBER DISASSEMBLED</p>  <p>11</p>	<p>PRO LEVER LINKING</p>  <p>12</p>
<p>SWING ARM</p>  <p>13</p>	<p>EXHAUST SYSTEM</p>  <p>14</p>	<p>AIR FILTER</p>  <p>15</p>	<p>TANK, SEAT</p>  <p>16</p>

<p>FUEL PUMP</p>  <p>17</p>	<p>MASK, FENDERS</p>  <p>18</p>	<p>COVER</p>  <p>19</p>	<p>DECAL</p>  <p>20</p>
<p>FRONT WHEEL</p>  <p>21</p>	<p>REAR WHEEL</p>  <p>22</p>	<p>WIRING HARNESS</p>  <p>23</p>	<p>BATTERY</p>  <p>24</p>
<p>FRONT BRAKE CONTROL</p>  <p>25</p>	<p>REAR BRAKE CONTROL</p>  <p>26</p>	<p>FRONT BRAKE CALIPER</p>  <p>27</p>	<p>REAR BRAKE CALIPER</p>  <p>28</p>

<p>LIGHTING SYSTEM</p>  <p style="text-align: right;">29</p>	<p>INSTRUMENTS / LOCK SYSTEM</p>  <p style="text-align: right;">30</p>	<p>EVAPORATIVE CANISTER</p>  <p style="text-align: right;">31</p>	<p>SEPERATE ENCLOSURE</p>  <p style="text-align: right;">32</p>
<p>ANTIBLOCK SYSTEM ABS</p>  <p style="text-align: right;">33</p>	<p>TECHNIC INFORMATION STICKER</p>  <p style="text-align: right;">34</p>		

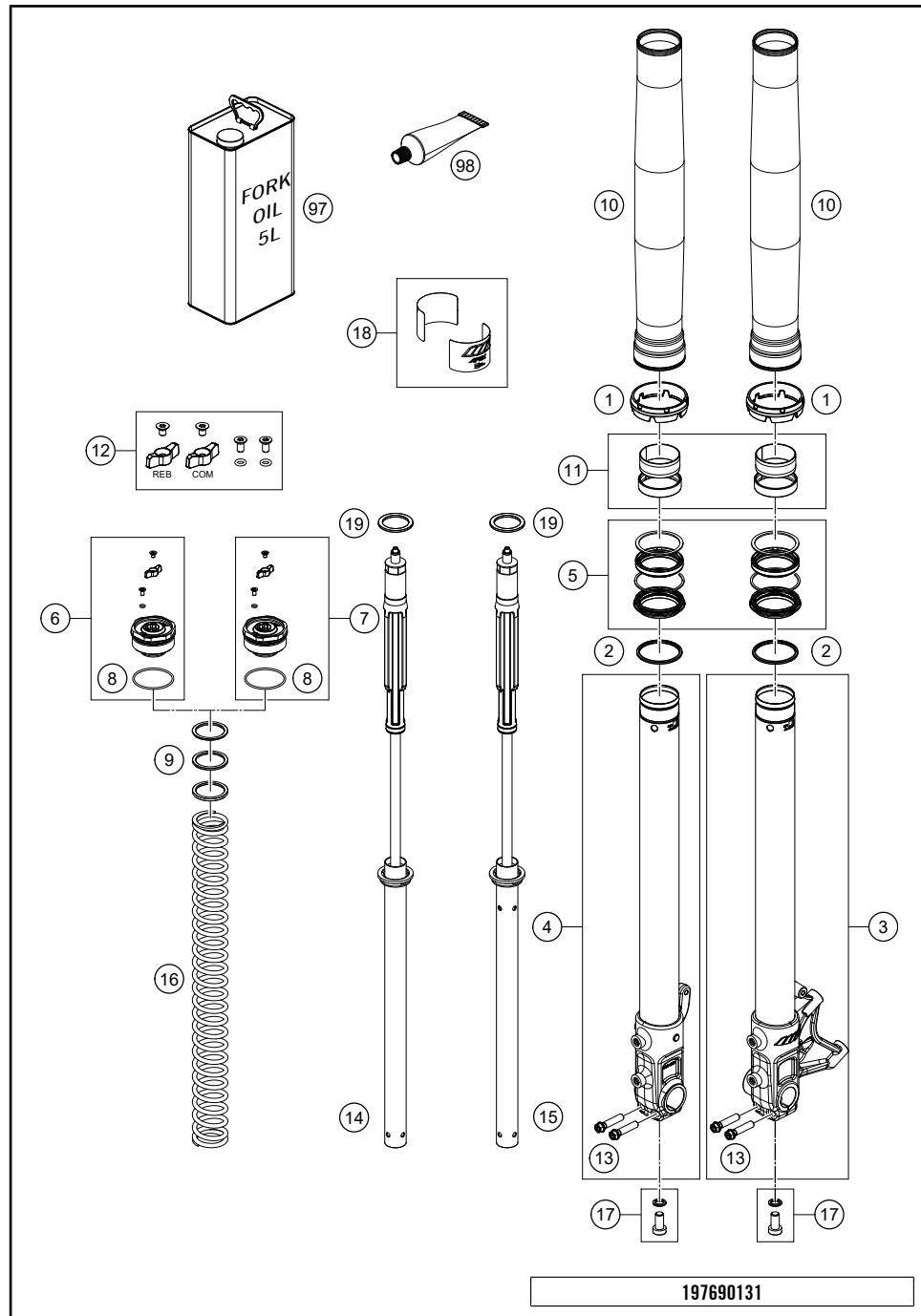


POS	PARTNUMBER	PARTNAME	PIECE
1	14188S1201	fork	1
2	0025080256	HH collar screw M8x25	4
3	79001038000C1	Handlebar clamp 28mm	1
4	0032100356S	AH-COLLAR SCREW M10X35 ISA45	4
5	83001040000	RUBBER BUSH	4
6	79001039136C1	Handlebar mount D28mm H36mm	2
7	54801036000C1	Steering head screw M20x1,5 WS_27	1
8	0025080306	HH collar screw M8x30	1
9	0025080406	HH COLLAR SCREW M8X40 TX40	8
10	2700103423430	UPPER TRIPLECLAMP 33-35 OFFSET	1
11	79001037034	HANDLEBAR SUPPORT LOWER PART	2
12	0770025035	O-RING 25X3,55 NBR70 05	1
13	78101086000	STEERING HEAD COVER	1
14	54601184000	STEARING HEAD GASKET TOP	1
15	54201081100	TAPERED ROLLER BEARING CPL. 06	2
16	77701084000	O-RING SUPPORT W. SEALING LIP	1
17	76501033100	excentric head tube	1
18	0933080253	HH SCREW DIN0933-M 8X25	2
19	0934080003	HEXAGON NUT DIN0934-M 8	2
20	2700103113430	LOW. TRIPLE-CLAMP 33-35 OFFSET	1
21	54801036100	STE.HEAD SCR. M20X1,5 WS=27 SL	1
22	76901085000EB	Brake line clamp	1
23	0017060206	SCREW F. PLASTIC K60X20AL SW6	2
24	59001092050	SPECIAL SCREW M6X12,5 WS=8	6
25	76901194000EBA	fork protector kit 690 SMC-R 2021	1
26	58412080300	REFLECTOR YELLOW "CEV"	2

197690112

55810

* NEW PART X ON DEMAND



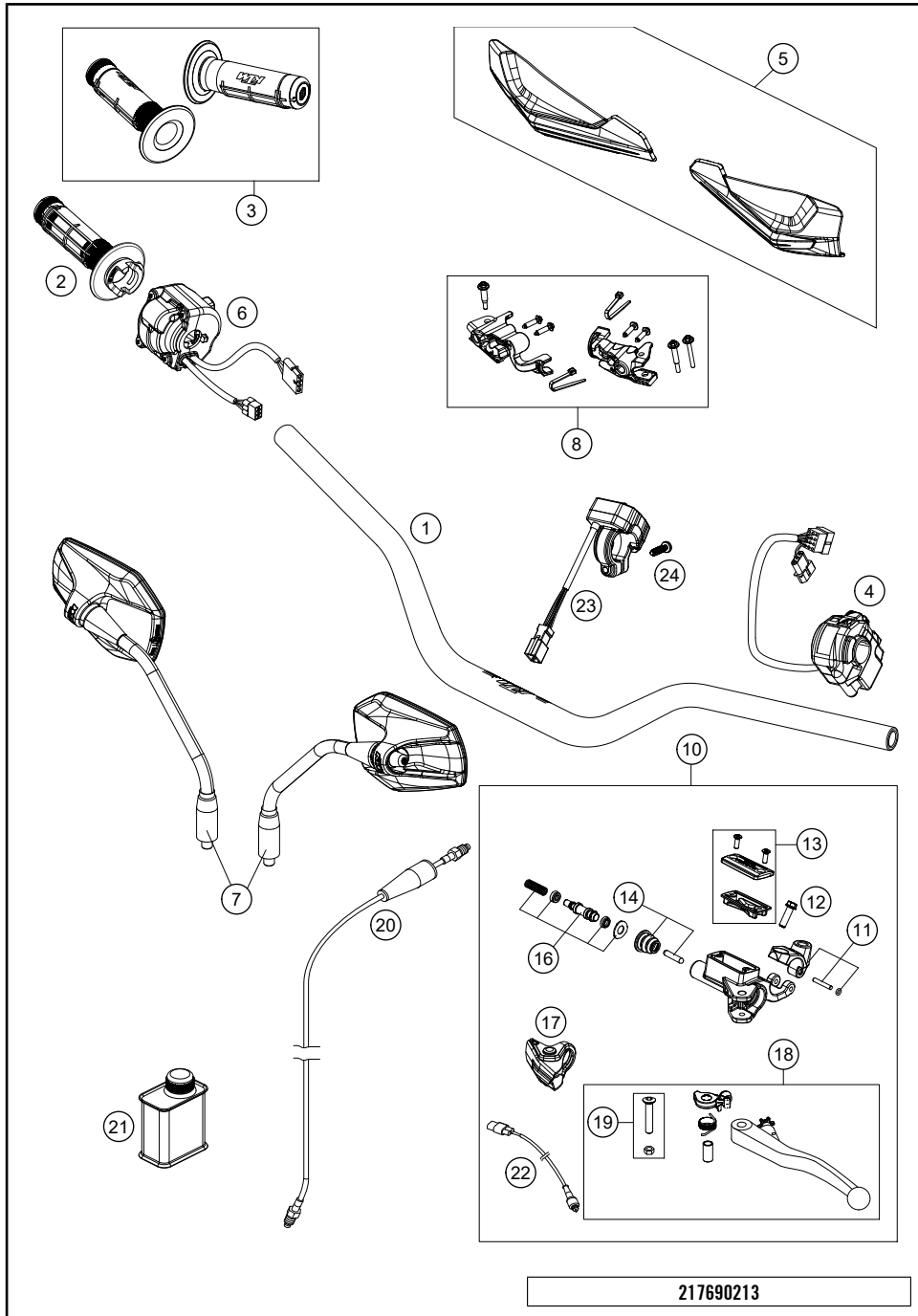
POS	PARTNUMBER	PARTNAME	PIECE
1	48601948	Fork protection ring 60,1mm	2
2	48602007	Stroke indicator 48mm red	2
3	48601318S1	AXLE CLAMP L/S WITH TUBE CPL.	1
4	48601317S1	AXLE CLAMP R/S WITH TUBE CPL.	1
5	RP10012	Sealkit 48mm SKF black	x
6	48602039S	Screw cap M5x1,5 rebound cpl.	1
7	48602040S	Screw cap M5x1,5 compression cpl.	1
8	48600048	O-ring 46x2 NBR70 siliconized yellow	2
9	48600458	Washer 35x43x1,5 plastic	x
9	48600456	Washer 35x43x2,5 plastic	x
9	48600457	Preload bush 35x43x3,5	x
10	48601981	fork outer tube 54x530 dt54 db60	2
11	R14047	Guide bushing set fork 48mm	x
12	RP10021	Adjuster kit screw cap	x
13	0025080356	HH collar screw M8x35 TX40	4
14	48601067S1	Cartridge right KTM 690 SM	1
15	48601067S2	Cartridge left KTM 690 SMC	1
16	91410043S	SPRING C=5,3 L=450 D=5,5	1
17	00501020S1	AH SCREW M10X20 SET	2
18	52000210SET	Sticker set APEX OC 90x40	1
19	48600113	Washer 32x42x2,5 plastic	2
97	48601166S1	Fork Fluid Viscosity 4.0 5Lx4	x
98	T14034	Fuchs grease IPR (250g)	x

197690131

51268

* NEW PART

X ON DEMAND



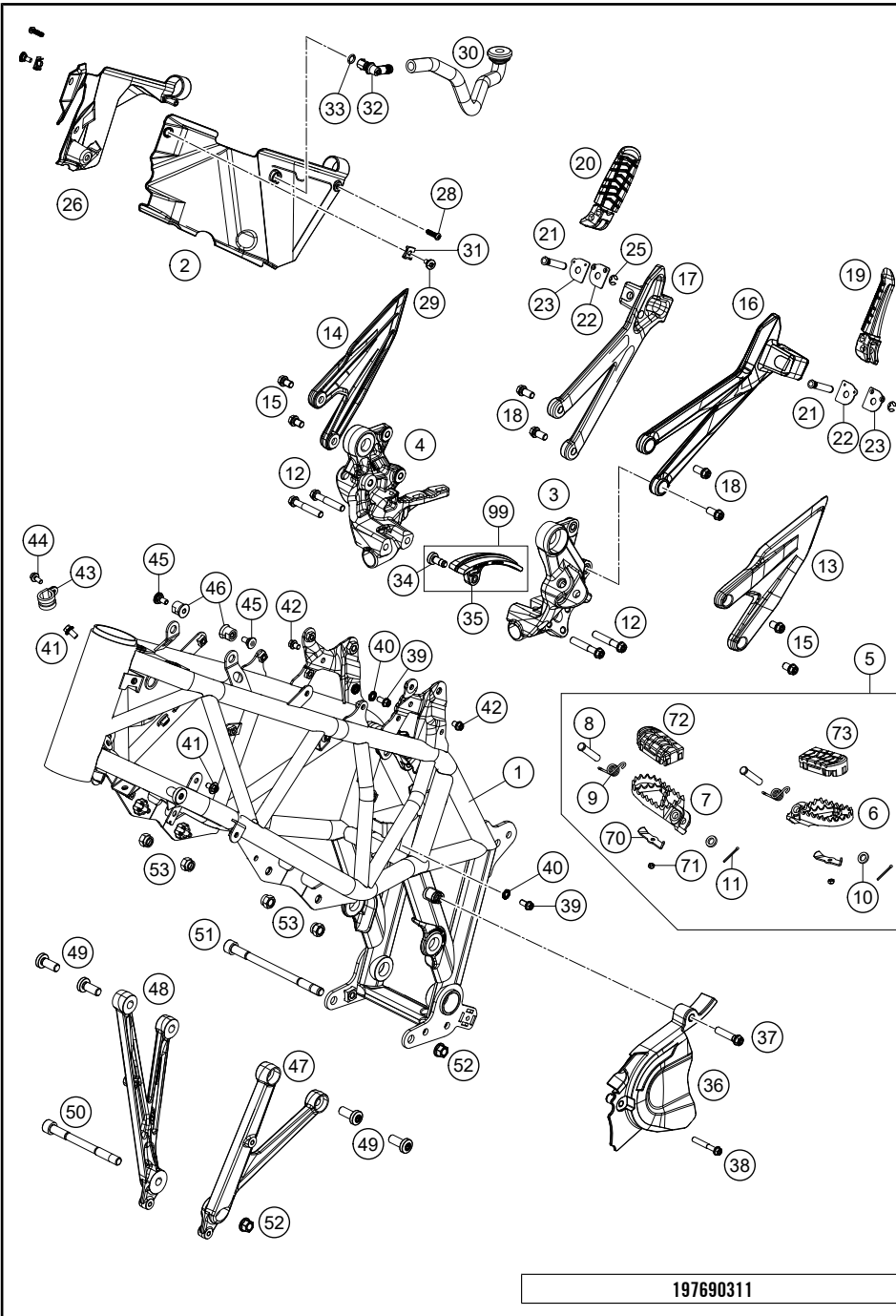
POS	PARTNUMBER	PARTNAME	PIECE
1	76902001000C1	Handelbar l=814mm, d=28,5mm	1
2	76502110000	THROTTLE GRIP E-GAS	1
3	63002021200	GRIP SET DUAL COMPOUND	1
4	76511070100	Handlebar switch left	1
5	76902182044C1	Handguard cmpl. SM	1
6	76111012000	E-Throttle w/o grip	1
7	60312040200	Mirror	2
8	76902079044	Mounting kit handguard	1
10	27002030044	MASTER CYLINDER D=11 MM	1
11	76513005000	CLAMP, CYL. PIN, O-RING	1
12	0025060206	HH collar screw M6x20 TX30	1
13	25002033000	COVER HYDR. CLUTCH DOT CPL.	1
14	76502046000	PUSH ROD CPL. 13	1
16	27002032000	REP. KIT PISTON DOT 11MM	1
17	76502037000	PROTECT.CAP FOR LEVER PERCH 13	1
18	27002031000	CLUTCH LEVER CPL.	1
19	50302038200	LEVER SCREW SHORT CPL. 09	1
20	76032063000	CLUTCH PIPE 1100MM	1
21	00062030000	BRAKE FLUID DOT5.1 0,25L	1
22	83111049000	CLUTCH SWITCH ATV	1
23	76139074000	Ignition curve switch (CAN)	1
24	0081250181	SCREW FOR PLASTIC 50X18 T20	1

217690213

55819

* NEW PART

X ON DEMAND



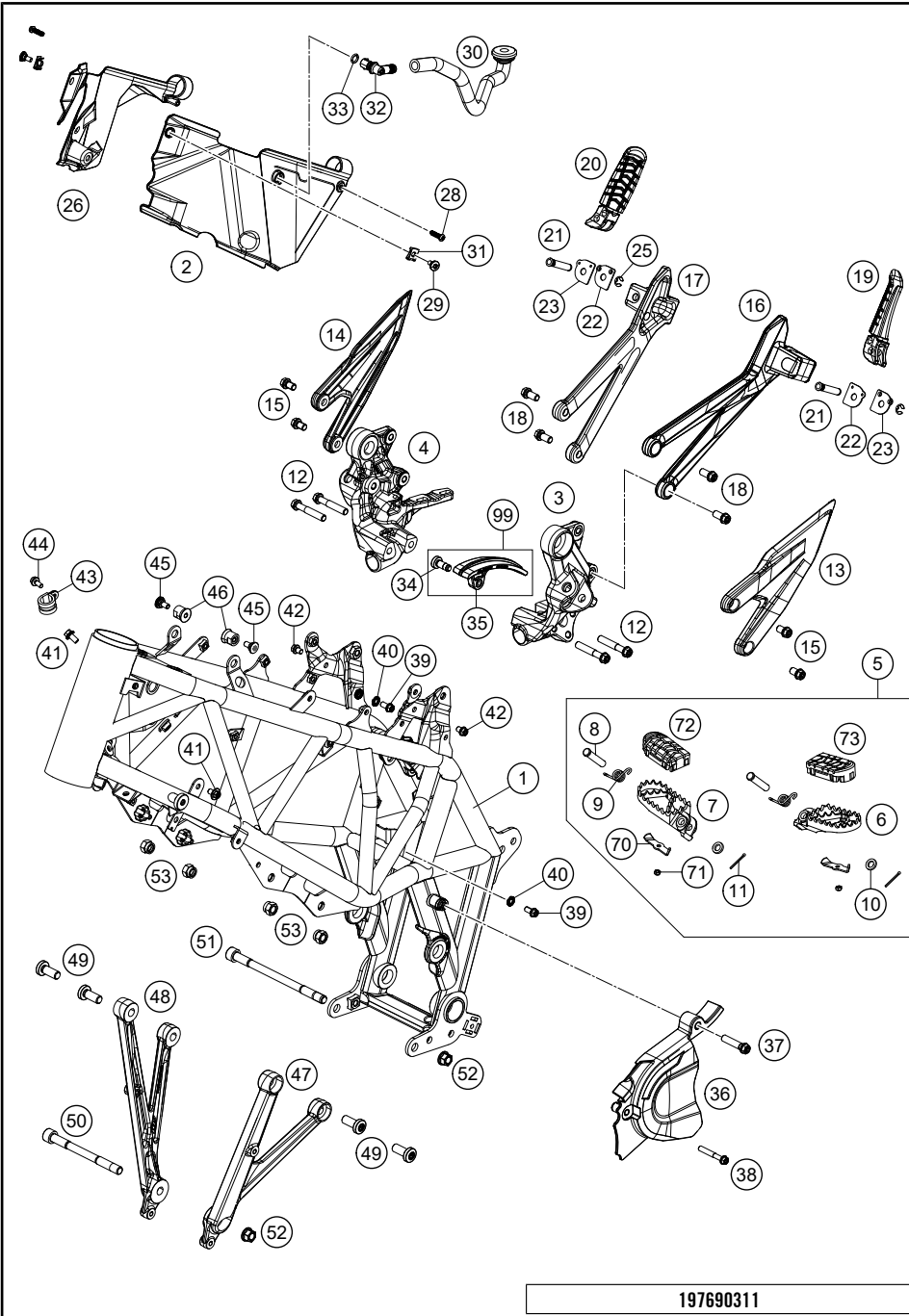
197690311

POS	PARTNUMBER	PARTNAME	PIECE
1	76103001000EB	Frame 761?? elec.orange	1
2	76903092000	Frame cover left	1
3	7690303804401	Front footpeg bracket left compl.	1
4	7690303904401	Footpeg bracket right compl.	1
5	60003040033	FOOTPEG L/S+R/S CPL. 03	1
6	78003040050	FOOTREST L/S 08	1
7	78003041050	FOOTREST R/S 08	1
8	54803044000	PIN FOR FOOT PED 51.5X9.8 MM	1
9	54603041000	FOOTREST SPRING L/S & R/S	2
10	0125100003	washer DIN 125 A 10.5	2
11	0094032253	PIN DIN0094-3,2X25 STEEL	2
12	0025080456	HH collar screw M8x45 TX40	4
13	76903038050	Heel protector, left	1
14	76903039050	Heel protector, right	1
15	0025080126	HH collar screw M8x12 TX40	4
16	7690304800001	Rear footpeg bracket left	1
17	7690304900001	Rear footpeg bracket right	1
18	0025080166	HH COLLAR SCREW M8X16 TX40	4
19	60003050000	FOOTREST CPL. L/S REAR 03	1
20	60003051000	FOOTREST CPL. R/S REAR 03	1
21	60003044000	BOLT FOR FOOTREST REAR 03	2
22	60003152000	ENGAGE PANEL FOOTREST L/S 03	2
23	60003052000	ENGAGE PANEL FOOTREST R/S 03	2
25	0799060003	retaining washer DIN 6799 - 6	2
26	76903086000	Frame cover right	1
28	0081250181	SCREW FOR PLASTIC 50X18 T20	2
29	69008021160	special screw M5x12	2
30	76930088030	oil separator vent	1
31	69008021080	clip nut M5	2
32	60038082000	ANGLE CONNECTOR LC8 03	1
33	0770080020	O-RING 8X2 SILICONE	1
34	0035080206S	SHCS M8x20 TX45	1
35	76504067000	CHAIN SLID. GUARD 08	1
36	76530060044	CHAIN GUARD CPL. 08	1
37	0025080356	HH collar screw M8x35 TX40	1
38	0025060406	HH collar screw M6x40 TX30	1
39	0025060126	HH collar screw M6x12 TX30	2

55821

* NEW PART

X ON DEMAND



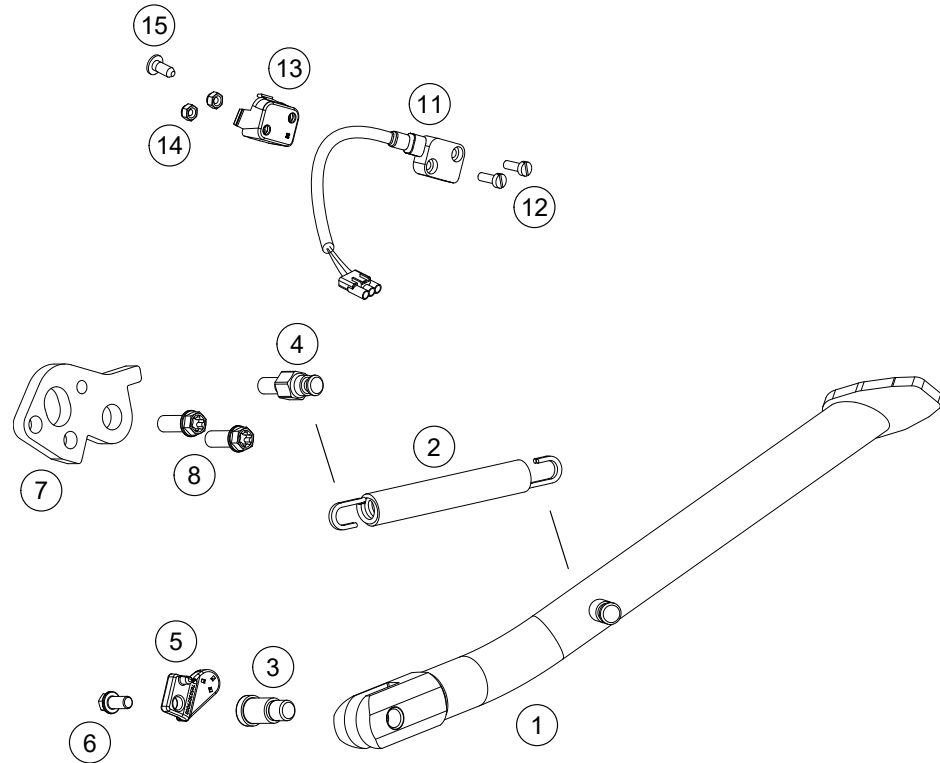
197690311

POS	PARTNUMBER	PARTNAME	PIECE
40	58411098100	CONTACT WASHER M6 VSV-K6	2
41	0024060106	HH COLLAR SCREW M6X10 TX30	2
42	0025060086	HH collar screw M6x8 TX30	2
43	49007439000	CLAMP RSGU 15/12	1
44	0025050126	HH collar screw M5x12 TX30	1
45	69008021040	special screw M6x14	2
46	76907026000	Seat holder	2
47	7650300500033	ENGINE SUPPORT L/S BLACK	1
48	7650300600033	ENGINE SUPPORT R/S BLACK	1
49	0035100249	SHCS M10x24 TX45	4
50	75003015000	SPECIAL SCREW M10X115 ISK8 07	1
51	75003014000	SPECIAL SCREW M10X152 ISK8 07	1
52	54630044000	COLLAR NUT M10 WS=13	2
53	54310086100	SELF LOCKING NUT M10 CU WS=14	4
70	60003044010	CLOSING PANEL FRONT L/S R/S 03	2
71	0985050003	SELF LOCKING NUT DIN0985-M 5	2
72	60003041010	FOOTREST RUBBER FRONT R/S 03	1
73	60003040010	FOOTREST RUBBER FRONT L/S 03	1
99	76504067010	CHAIN SLIDING BELOW 08-13	1

55821

* NEW PART

X ON DEMAND



POS	PARTNUMBER	PARTNAME	PIECE
1	7690312300033	Side stand SMC 2019	1
2	61003024000	SPRING L=116 MM 05	1
3	62503027200	SCREW FOR SIDE STAND M10X31,2	1
4	76503028001	SPECIAL SCR. SIDE STAND SPRING	1
5	76503029000	MAGNET HOLDER	1
6	0025060126	HH collar screw M6x12 TX30	1
7	76503026000	SIDE STAND BRACKET 08	1
8	0025080206	HH collar screw M8x20	2
11	61011045000	SIDE STAND SENSOR 05	1
12	0084040123	CYL.HEAD SCREW DIN84A M4x12	2
13	76511045050	HOLDER FOR SIDESTAND SWITCH 08	1
14	0985040003	SELF LOCKING NUT DIN0985-M 4	2
15	0081050121	EJOT PT screw K50x12	1

197690361

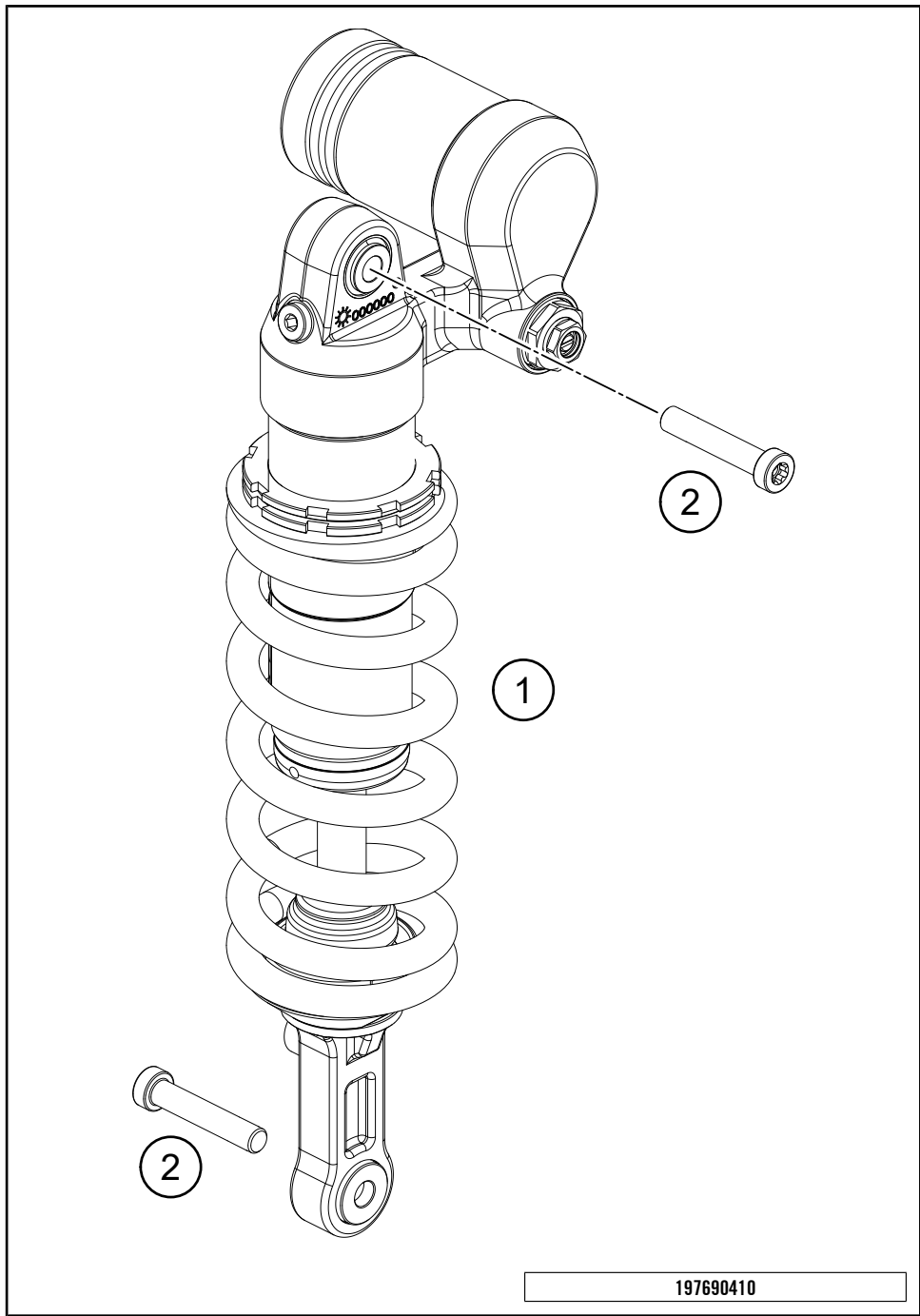
55828

* NEW PART

X ON DEMAND

SHOCK ABSORBER

690 SMC R 2021 2021

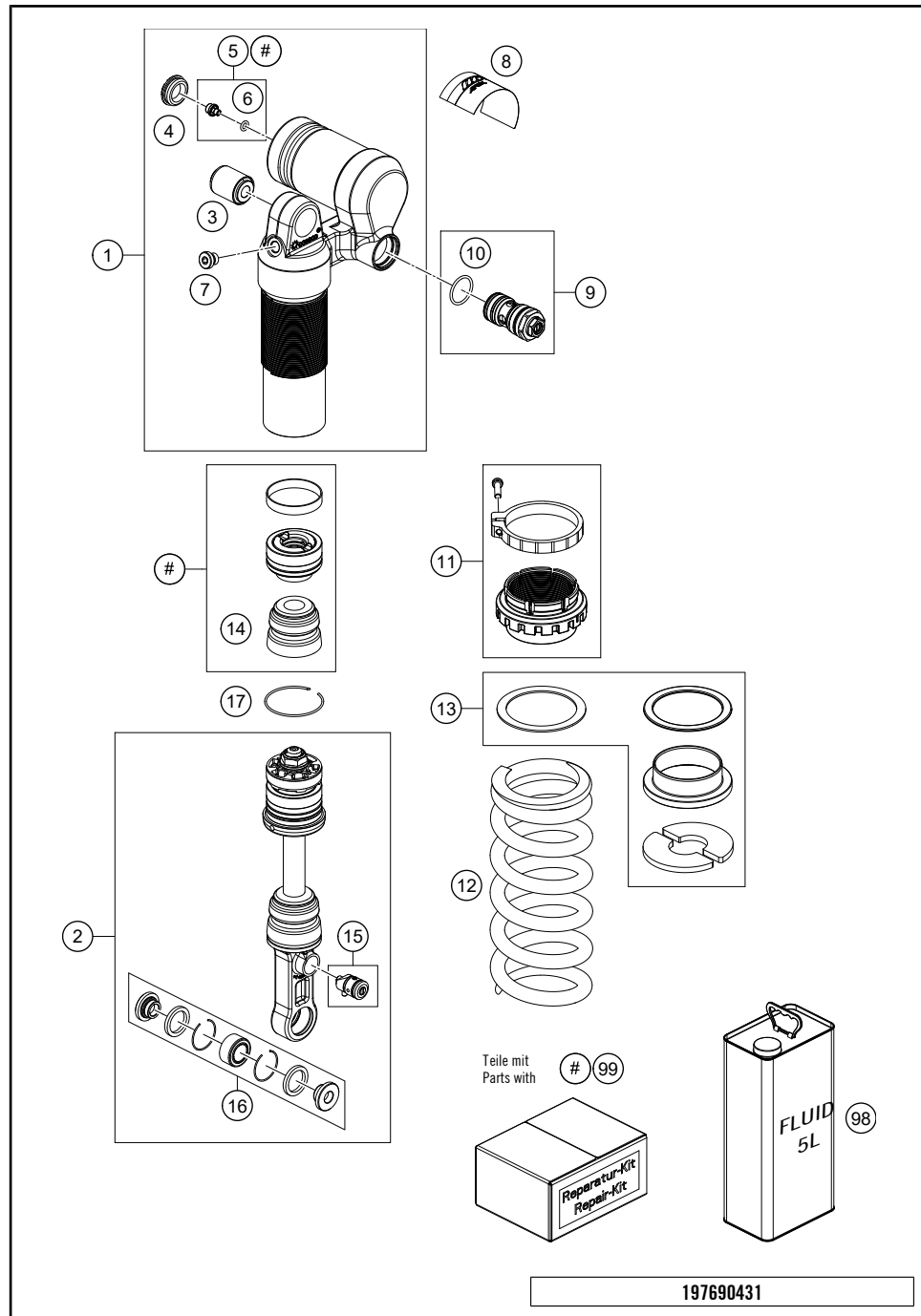


POS	PARTNUMBER	PARTNAME	PIECE
1	15187S1201	Shock	1
2	76504016000	CYL. SCREW M10X1,25 L=53	2

53304

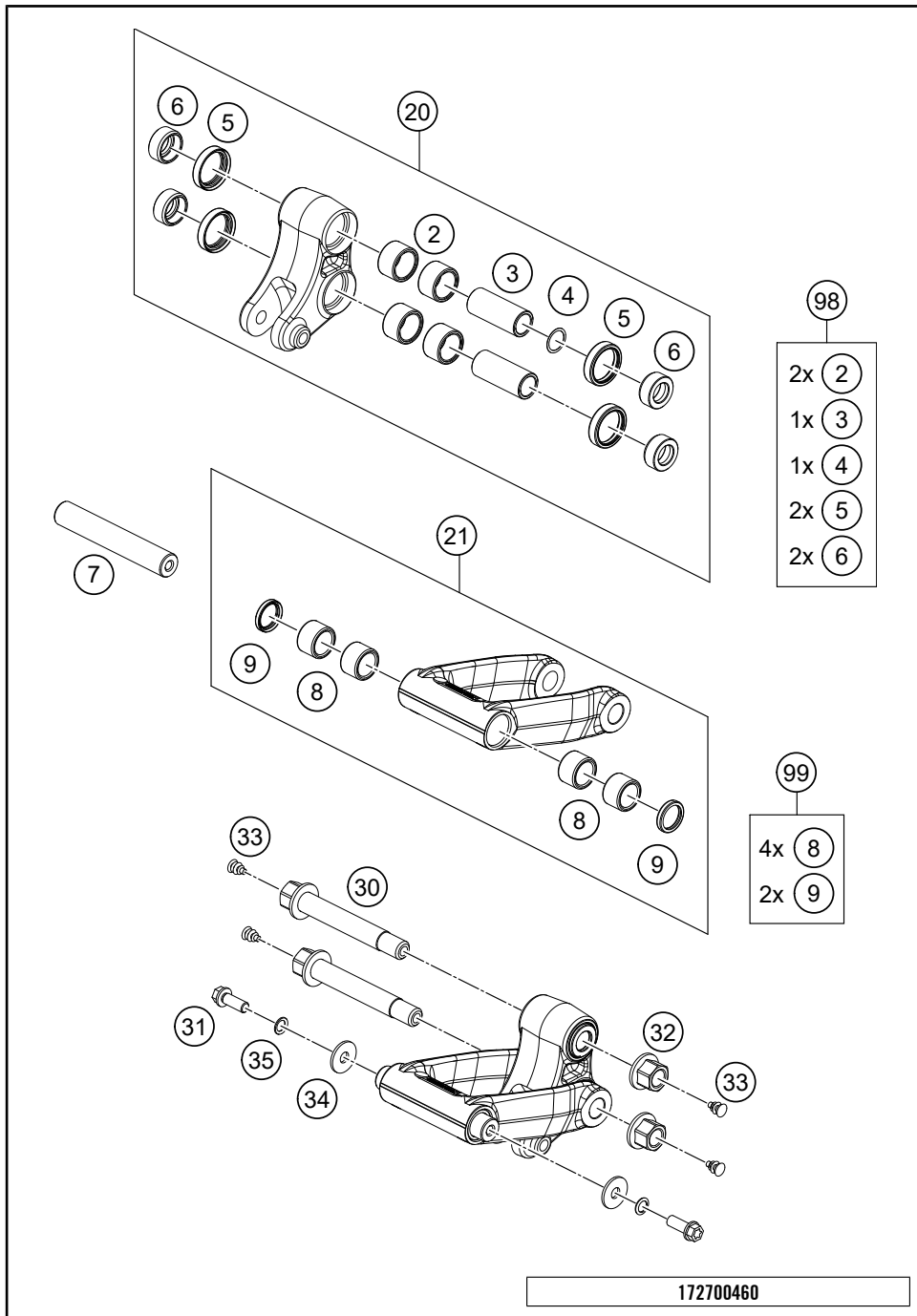
* NEW PART

X ON DEMAND



POS	PARTNUMBER	PARTNAME	PIECE
1	46180776S3	Shock upper part cpl. KTM 690 SMC	1
2	46180687S1	Shock bottom part cpl. KTM 690SMC	1
3	14460161	Silentblock 10,05x25x32	1
4	46811208	Rubber cap do not open 22x5,5 NBR	1
5	36120151S	PLUG SCREW M5X6 CPL.	1
6	46810893	O-ring 5,28x1,78 NBR70 black	1
7	50180095	HS cylinder-head screw R1/8 I8	1
8	52000215	Sticker APEX 90x40	1
9	46181370S	compression cpl.	1
10	46180811	O-ring 22x2 Viton70	1
11	46181369S	Plastic Spring Retainer d46 cpl.	1
12	91110003S	SPRING 220MM 75N/MM (61)	1
13	RP10023	Repair kit spring retainer	x
14	50180276	Rubber pad 17,2x45,2x40 black	1
15	46180522S1	TAP ADJ. REBOUND	1
16	R15006	REPAIR KIT BEARINGS 07	x
17	46810010	Round-wire snap ring 49x1,8	1
98	50180751S1	SHOCK ABSORBER FLUID 5 LT	x
99	R15005	REPAIR KIT GASKET 07	x

51269 * NEW PART X ON DEMAND



POS	PARTNUMBER	PARTNAME	PIECE
2	54603097000	NEEDLE BUSH HK 2016	4
3	54603081000	BUSHING SLEEVE 15 X 20 X 48	2
4	54603090010	STEEL WASHER 15,2X19X0,1	x
4	54603090020	STEEL WASHER 15,2X19X0,2	x
4	54603090030	STEEL WASHER 15,2X19X0,3	x
5	0760253270	radial shaft seal 25x32x7	4
6	76504089000	BUCKET FOR SHAFT SEAL RING	4
7	76504084100	Pin for pull rod bearing	1
8	56503195100	NEEDLE BEARING HK 1816	4
9	0760182442	SHAFT SEAL RING 18X24X4	2
20	2700408004401	TRIANGLE LEVER CPL.	1
21	2700408304401	PULL ROD CPL.	1
30	76504082044	BOLT CPL. M14X1,5	2
31	0025080166S	HH collar screw M8x16 TX40 SL	2
32	54603015000	SELF LOCKING NUT M14X1,5 WS=19	2
33	54403135000	PLASTIC CAP SFL10	4
34	0021080003	WASHER DIN9021-A 8,4	2
35	36003014000	LOCK WASHER 8MM	2
98	76504080100	TRIANGLE LEVER REP. KIT REAR	x
99	76504083010	PULL ROD REP. KIT 690 END/SMC	x

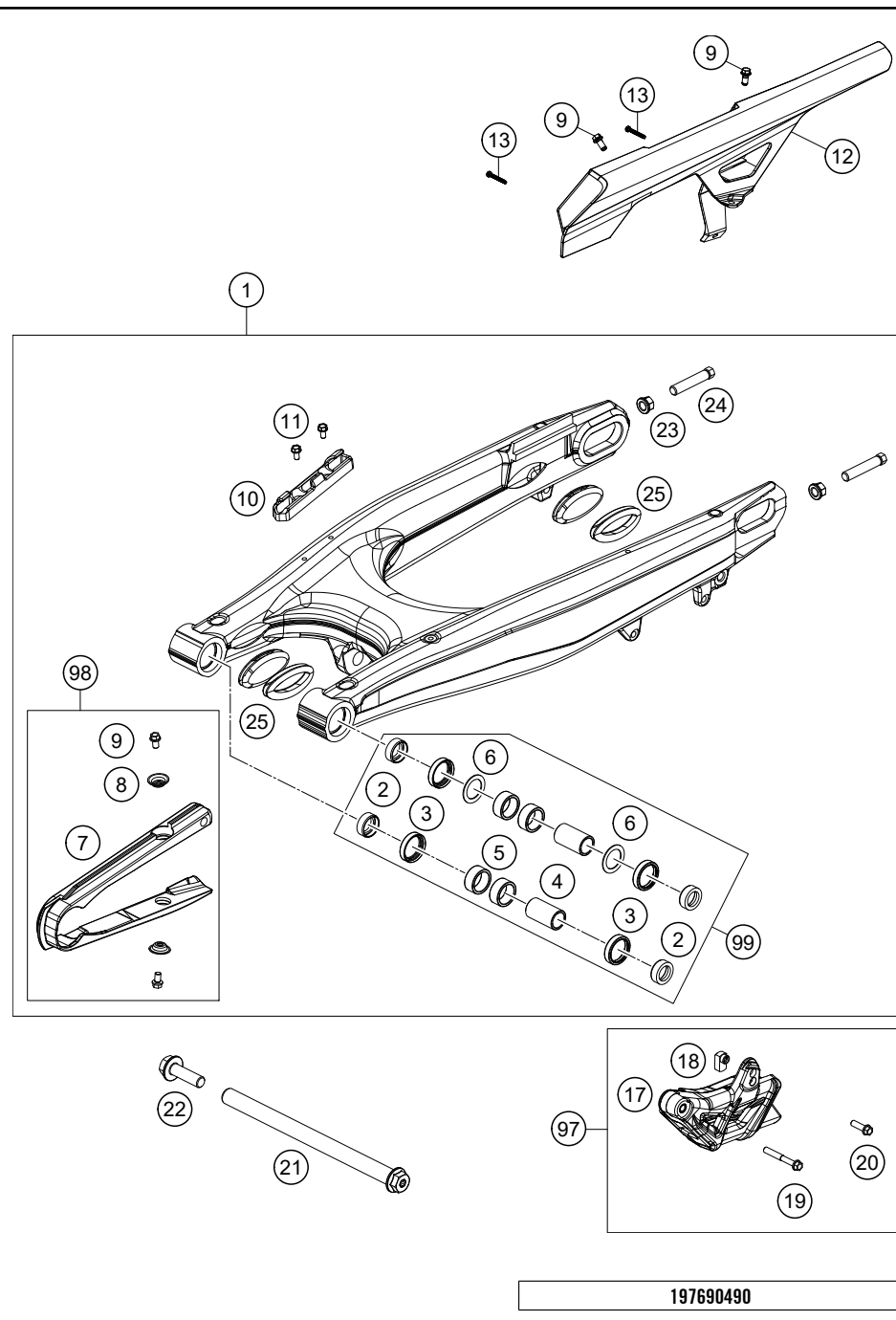
- 98
- 2x (2)
 - 1x (3)
 - 1x (4)
 - 2x (5)
 - 2x (6)

- 99
- 4x (8)
 - 2x (9)

172700460

53393

* NEW PART X ON DEMAND



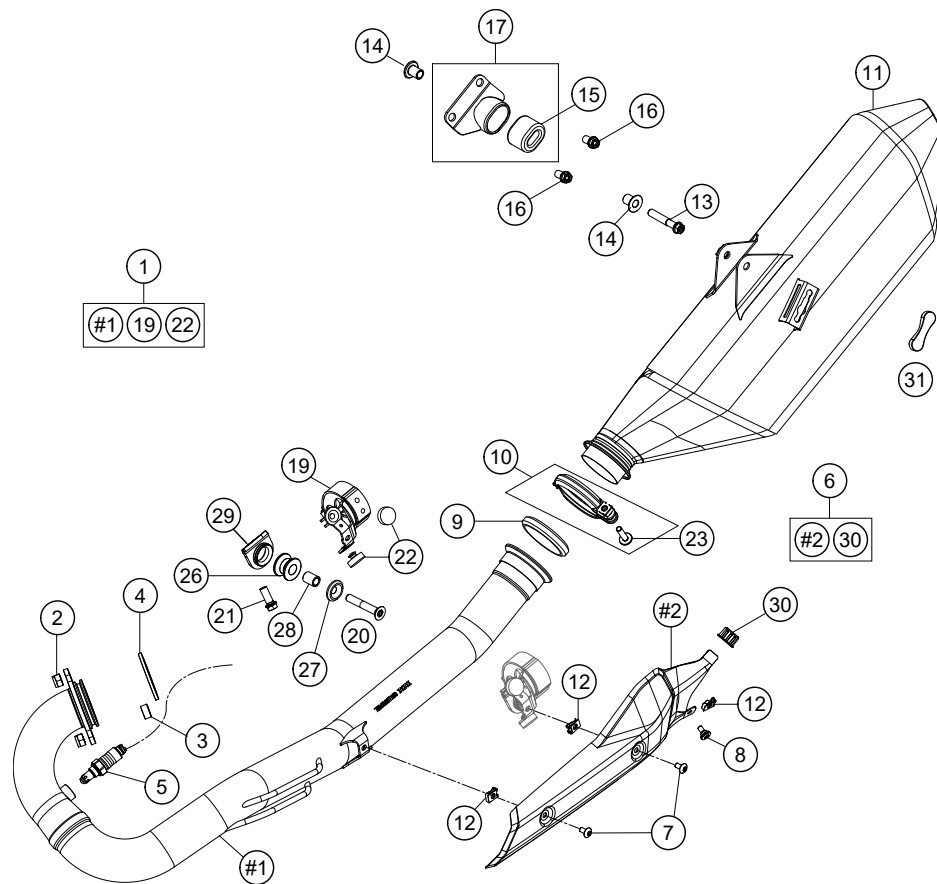
POS	PARTNUMBER	PARTNAME	PIECE
1	76904030044	Swingarm preass.	1
2	76504034000	BUCKET FOR SHAFT SEAL RING	4
3	0760253270	radial shaft seal 25x32x7	4
4	59404032000	BEARING SLEEVE 17X22X38,7 03	2
5	0618222812	NEEDLEBEAR HK2212V 22/28/12 MB	4
6	54603036000	STOP DISK 22,2X31,7X1	2
7	76504066000	CHAIN SLIDING GUARD 07	1
8	77304066050	chain slider bushing	2
9	59009062013	SPECIAL SCREW M6X13 WS=8 10.9	4
10	76504042100	Brake line guide 08	1
11	0009050106	EJOT SPIRAL SCREW SF M5X10-K	2
12	76904060000	Chainguard	1
13	0081050181	SCREW FOR PLASTIC K50X18 T20	2
17	78004070100	CHAIN GUIDE CPL.	1
18	77304070030	INSERTION NUT F. CHAIN GUIDE	1
19	0025060456	HH COLLAR SCREW M6X45 TX30	1
20	0025060206	HH collar screw M6x20 TX30	1
21	75304037144	Swingarm pivot, L=246, M12x1.5	1
22	76504038000	SPECIAL SCREW M12X40 SW19	2
23	58414030000	HH COLLAR NUT M10X1,25 WS=13	2
24	50304040100	screw M10x1.25x50 WS10	2
25	58404041000	CLOSING COVER SWINGARM SM 03	4
97	77304070310	Chain guide kit	x
98	76504066010	CHAIN GUARD KIT 08-14	x
99	76504230010	SWINGARM REPAIR KIT 08-13	x

197690490

55772

* NEW PART

X ON DEMAND



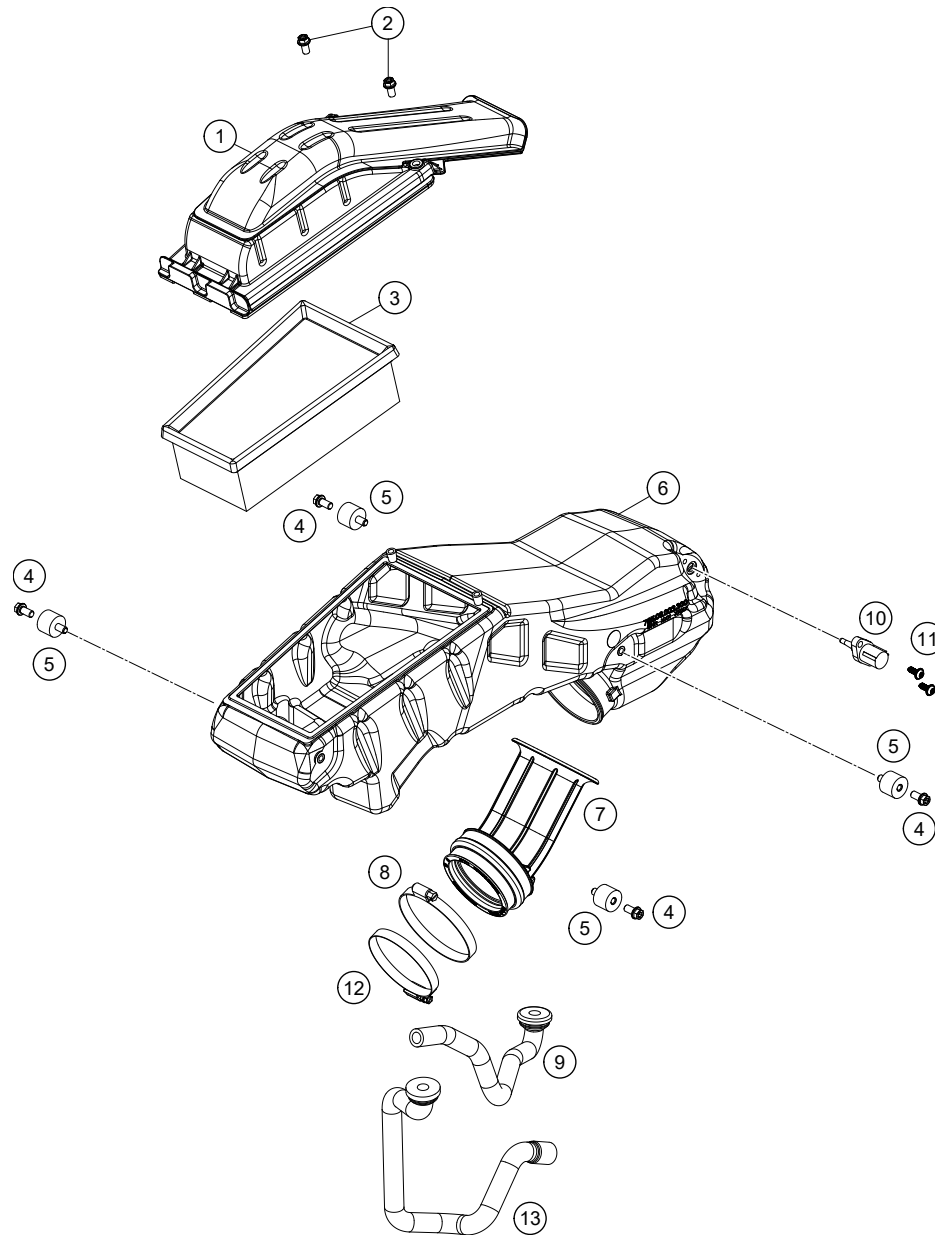
POS	PARTNUMBER	PARTNAME	PIECE
1	76905007000	Header cmpl.	1
2	51010086100	self-locking nut M8 Cu	2
3	61005009000	SPACER BUSH. 8,5X15X7,5 05	1
4	61005005000	EXHAUST GASKET 05	1
5	75041090200	LAMBDA SENSOR	1
6	76905011000	heat protecting metal plate	1
7	78105081010	SCREW TORX M5X10	2
8	69008021160	special screw M5x12	1
9	69005105005	Manifold gasket	1
10	63605058000	Exhaust clamp tube 50 mm	1
11	76105083000	Silencer	1
12	54603048600	RANGE CHANGE METAL NUT M5 INOX	3
13	0025080456	HH collar screw M8x45 TX40	1
14	60305069000	BUSHING	2
15	61305068000	DAMPING RUBBER	1
16	0025080166	HH COLLAR SCREW M8X16 TX40	2
17	76505084100	HOLDER SILENCER CPL.	1
19	76905007025	Clamp weld assembly	1
20	0019080506	COUN.-SUNK SCREW M8X50 ISA10.9	1
21	0025080206	HH collar screw M8x20	1
22	54308042000	RUBBER BUFFER	2
23	0000250602500	Hex collar screw M6x25 ISA30	1
26	54305068100	damp. component silicone grey	1
27	62603061000	SPECIAL WASHER 8X24 ALU H=4,2	1
28	56505069000	SPACER BUSHING 8,4X12X16	1
29	76505007027	EXHAUST SUPPORT	1
30	27005011011	DAMPING ELEMENT SILICON	1
31	79105098000	exhaust spacer	1

197690510

55832

* NEW PART

X ON DEMAND



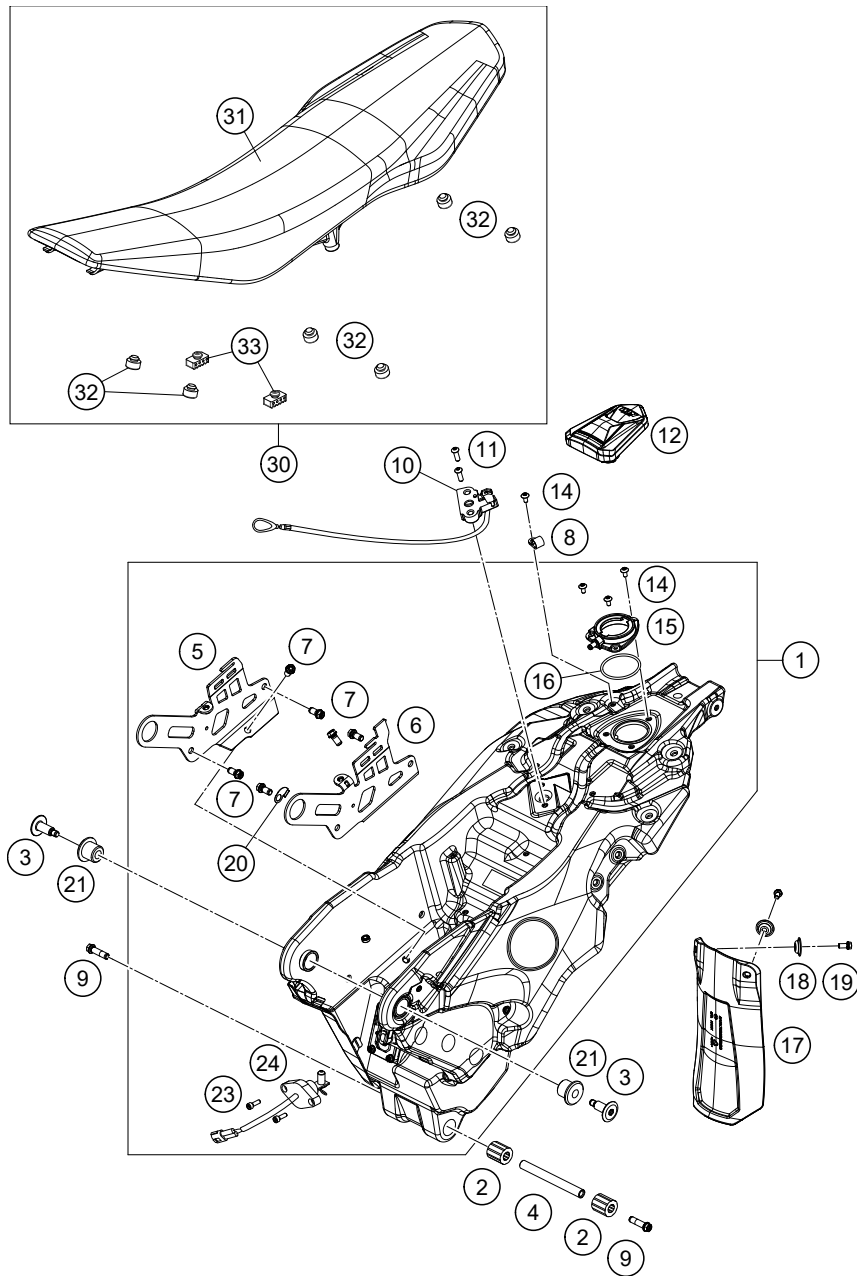
POS	PARTNUMBER	PARTNAME	PIECE
1	76506002000	FILTER BOX-TOP PART 08	1
2	0025060126	HH collar screw M6x12 TX30	2
3	76506015100	AIRFILTER PAPER 200X120	1
4	0025060106	HH collar screw M6x10 TX30	4
5	43205062100	silentbloc 20x15-M6x10-(1)	4
6	76506003344	FILTER BOX WITH INTAKE FLANGE	1
7	76506026100	INTAKE FLANGE	1
8	55006028000	HOSE CLAMP 60-80MM	2
9	76930088030	oil separator vent	1
10	61041080000	AMBIENT-AIR TEMPERATURE SENSOR	1
11	0081050121	EJOT PT screw K50x12	2
12	51006027000	HOSE CLAMP 50-70MM	1
13	27005026000	SAS hose to airbox	1

197690610

53423

* NEW PART

X ON DEMAND



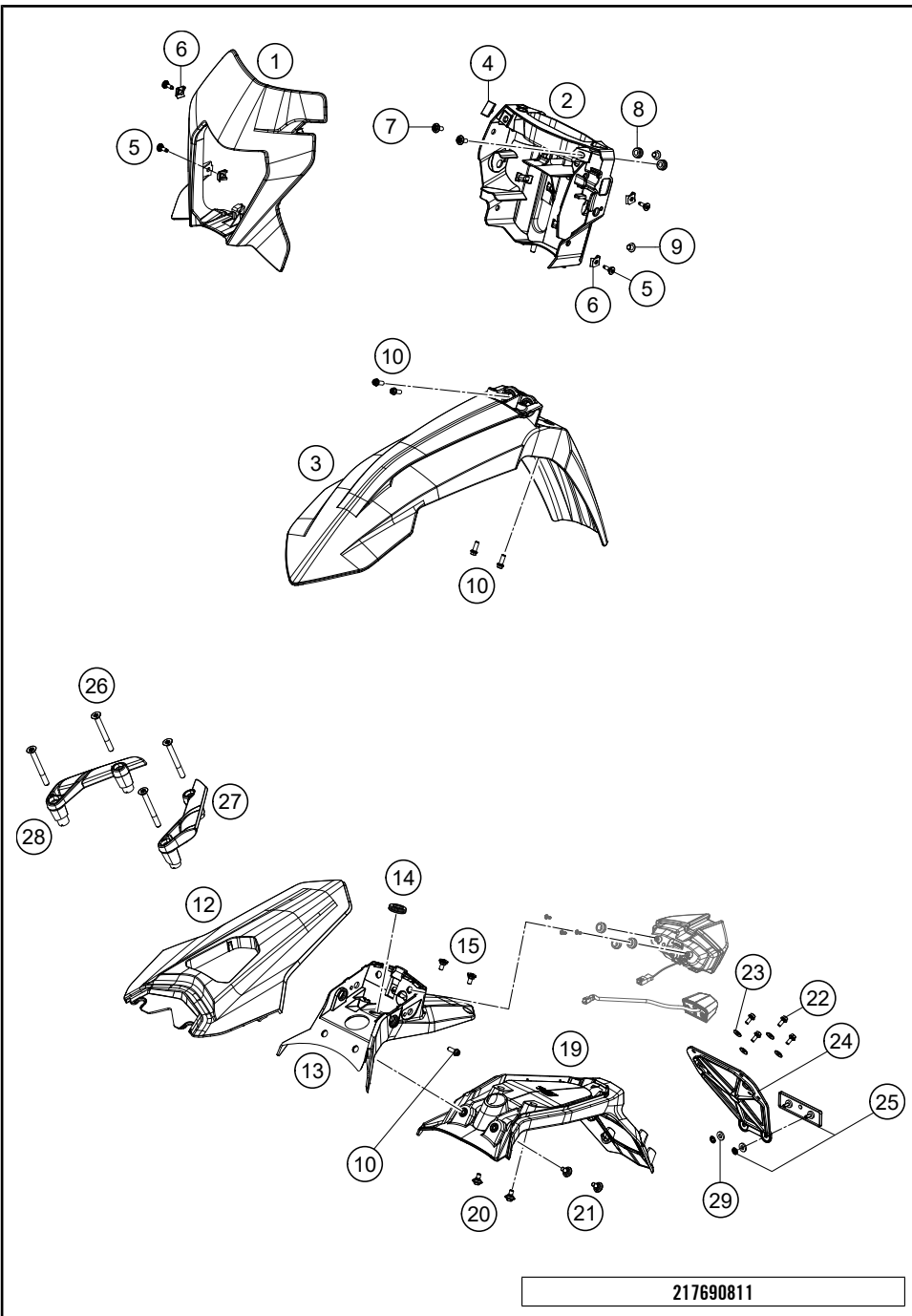
POS	PARTNUMBER	PARTNAME	PIECE
1	76907013044	Fuel tank cpl.	1
2	76507065100	RUBBER BUSHING 11,7X24,7 L=26	2
3	76507060100	attachement bolt top	2
4	76507061100	Bearing sleeve, bottom	1
5	27007028000	RIGHT FUEL-TANK SUPPORT PLATE	1
6	27007027100	Retaining bracket tank left	1
7	0025080166	HH COLLAR SCREW M8X16 TX40	6
8	57013070000	PVC-CLAMP 7/16" HEYCO 3377	1
9	0025080306S	HH COLLAR SCREW M8X30 TX40	2
10	76507050000	SEAT LOCK	1
11	0738060181	BHCS ISO 7380 M6X18	2
12	76907008000	Fuel tank cap	1
14	58605083010	SCREW TORX M5X10 05	4
15	76507108050	CLOSING FLANGE	1
16	0770050030	O-RING 50,00X3,00 VITON	1
17	76506010100	SPLASH PROTECTOR	1
18	72210079000	BUCKET	2
19	0025060106	HH collar screw M6x10 TX30	2
20	27007053000	CLAMP FOR SEAT LOCK LINKAGE	1
21	76507066000	RUBB.BEAR.BOX 12x24x35 L=24,5	2
23	0912050163	AH SCREW DIN0912-M 5X16	2
24	58207080100	GAS-LEVEL SENSOR ADV. 2006	1
30	76107140000	Seat, SMC-R compl.	1
31	76907140050	Seat cover	1
32	76907040045	Seat rubber	6
33	28503002010	rubber support	2

197690710

55833

* NEW PART

X ON DEMAND

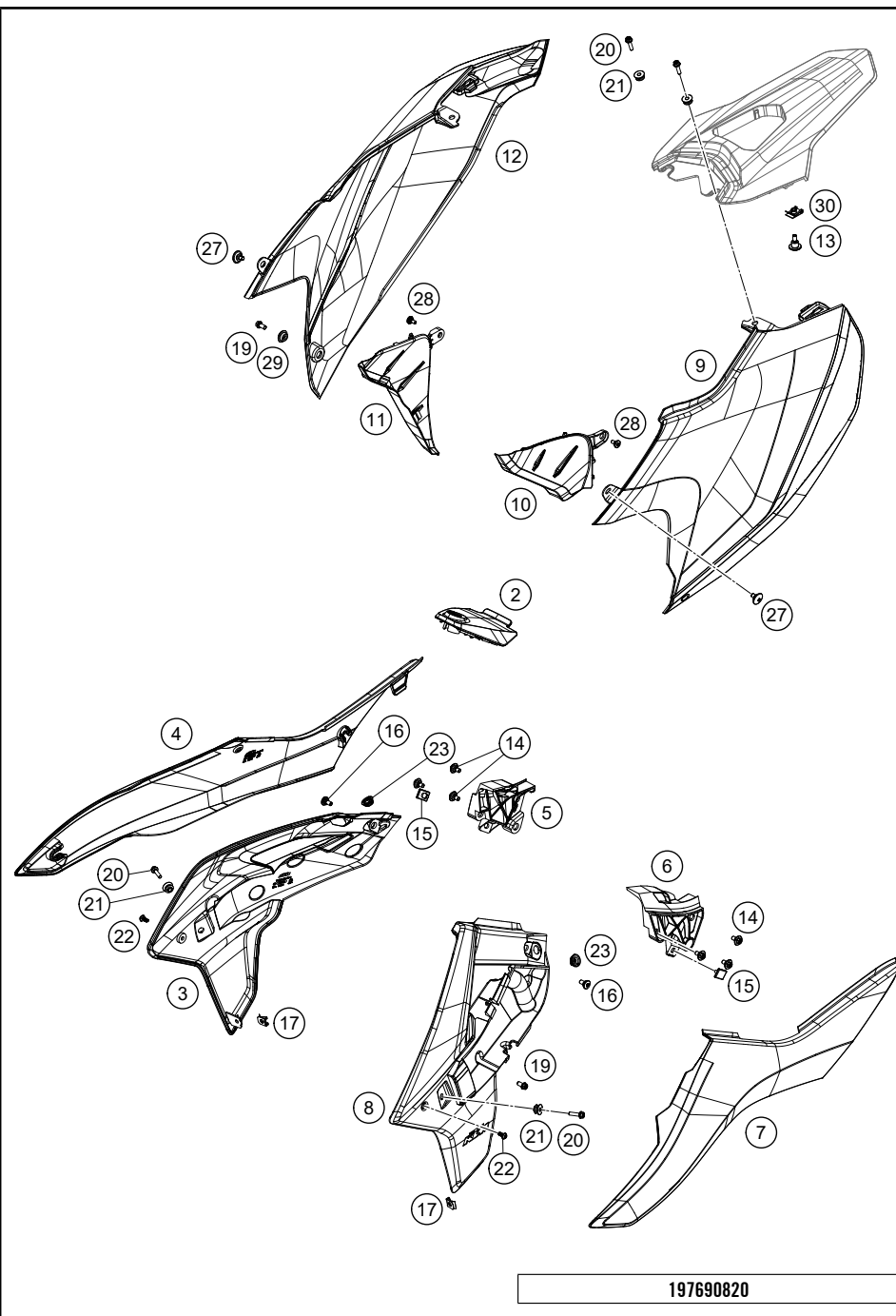


POS	PARTNUMBER	PARTNAME	PIECE
1	76908001000EB	Headlight shroud	1
2	76114060000	Dashboard support	1
3	76908010000EB	Front fender Supermoto	1
4	77307040041	Isolation pad	1
5	69008021060	special screw M5x17	4
6	54603048200	RANGE CHANGE METAL NUT M5	4
7	0024060156	HH collar screw M6x15 TX30	2
8	31008060000	rubber grommet D=8mm open	2
9	75014010050	COLLAR BUSHING 6,1X8,1X14X8 07	2
10	0025060166	HH collar screw M6x16 TX30	6
12	76908013100BJA	Rear fender	1
13	76908015000	License plate holder, upper part	1
14	60006001023	RUBBER SLEEVE STOP SCREW	1
15	69008021040	special screw M6x14	2
19	76908016000	License plate holder, bottom part	1
20	83008000012	special screw M6x12x3	2
21	83008000015	SPECIAL SCREW M6X15X3	2
22	0025050126	HH collar screw M5x12 TX30	4
23	75008023000	WASHER REAR-UT D=14MM	4
24	64112181100	Bracket for reflector	1
25	58412080400	Rear reflector red	1
26	0025080556	HH collar screw M8x55 TX40	4
27	76912008000	passenger handle bar left	1
28	76912009000	passenger handle bar right	1
29	60408061050	RUBBER 14X6.5X2.3MM	2

217690811

55840

* NEW PART X ON DEMAND



POS	PARTNUMBER	PARTNAME	PIECE
2	76911068000	Ignition lock cover	1
3	76908051000C1	Spoiler right	1
4	76908061000BJA	Fairing front right	1
5	76907042000	Seat carrier, right	1
6	76907041000	Seat carrier, left	1
7	76908060000BJA	Fairing front left	1
8	76908050000C1	spoiler left	1
9	76908041200BJA	Side fairing left	1
10	76908041030	side fairing, left front	1
11	76908042030	side fairing, right front	1
12	76908042200BJA	Side fairing right	1
13	60035001000	SPECIAL SCREW M6X21 WS=8	1
14	83008000012	special screw M6x12x3	6
15	77307040041	Isolation pad	2
16	69008021040	special screw M6x14	2
17	54603048200	RANGE CHANGE METAL NUT M5	2
19	0025060126	HH collar screw M6x12 TX30	2
20	0025050206	HH collar screw M5x20 TX30	4
21	21007046000	seat sleeve	4
22	0081050121	EJOT PT screw K50x12	2
23	47106003160	quick release rubber grommet	2
27	58407011100	SCREW FOR SEAT M6X11,5/8	2
28	69008021160	special screw M5x12	2
29	77308013010	COLLAR BUSH. F.REAR FENDER 07	1
30	54603048100	clip nut M6	1

197690820

55813

* NEW PART

X ON DEMAND

POS	PARTNUMBER	PARTNAME	PIECE
1	76908097000	Headlight mask sticker 690 SMC 21	1

1



217690831

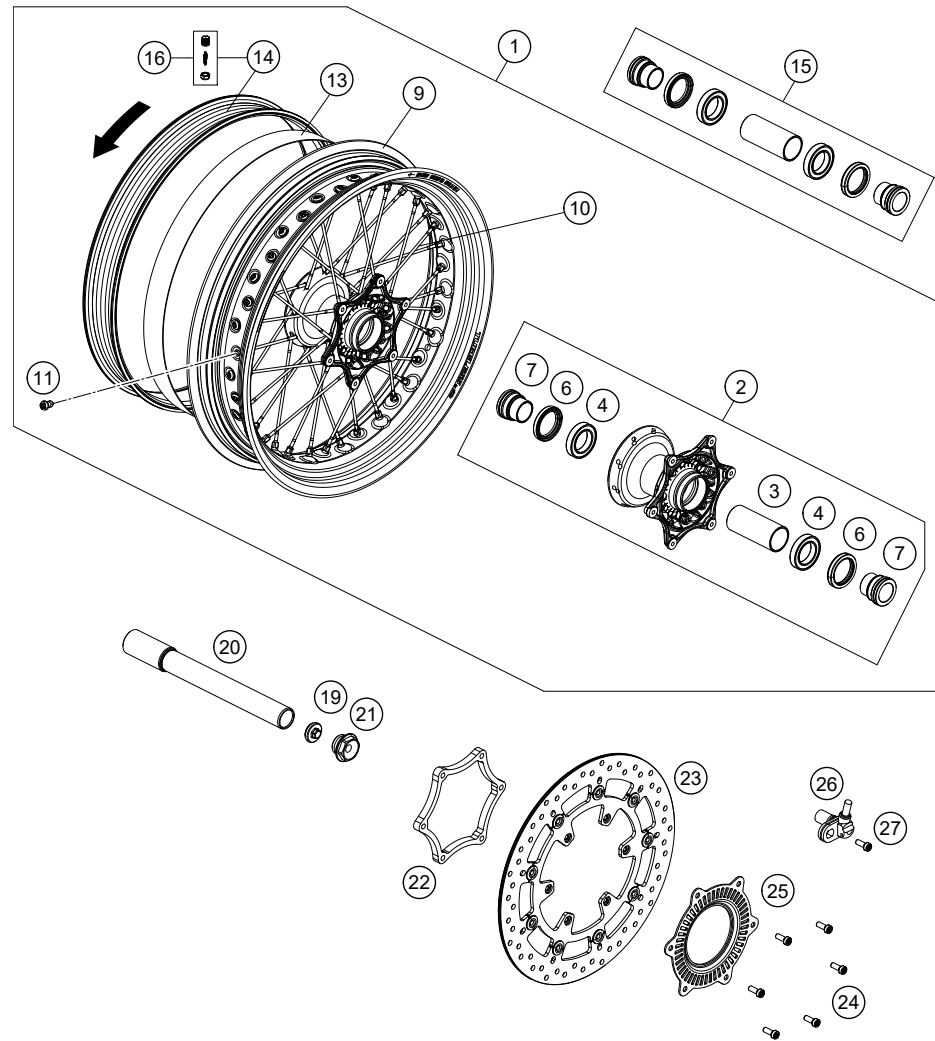
55816

* NEW PART

X ON DEMAND

FRONT WHEEL

690 SMC R 2021 2021



POS	PARTNUMBER	PARTNAME	PIECE
1	75009101144C1A	Front wheel cpl. 3,5x17" TL	1
2	7500901004433	FRONT HUB CPL.	1
3	54809011000	BEA.SPACERTUBE 35X2 L=79,4 03	1
4	0625069068	GR.BALL BEAR.6906 DDU2CG23S6NM	2
6	0760354771	SHAFT SEAL RING 35X47X7 TC	2
7	75009012000	SPACER BUSHING FRONT WHEEL 07	2
9	75009370000C1A	Front rim 3,5x17"	1
10	75009073170	SPOKE M4.5X170-9G 17" INOX	36
11	81210072100	SPOKE NIPPLE QUADRAX M4,5	36
13	75009073000	RIM TAPE 17"X3.5"	1
14	75009177044	GASKET RUBBER 17" CPL. W.VALVE	1
15	75009015000	FRONT WHEEL REP. KIT	1
16	81210076000	VALVE CPL.	1
19	54809081070	AUXILIARY SCREW FRONT 06	1
20	75009081000	WHEEL SPINDLE FRONT D=26MM 07	1
21	54809082000	SPINDLE SCREW M24X1,5 WS=27 03	1
22	7500906100033	Brake discs adapter 10.1 mm	1
23	75009160000	BRAKE DISC FRONT 320MM	1
24	59009062026	SPECIAL SCREW M6X26 SW=8 10.9	6
25	60142020000	SENSOR WHEEL FRONT 06	1
26	27042025000	ABS SENSOR	1
27	014580060166S	SHCS ISO 14580 M6x16 SL	1

162700911

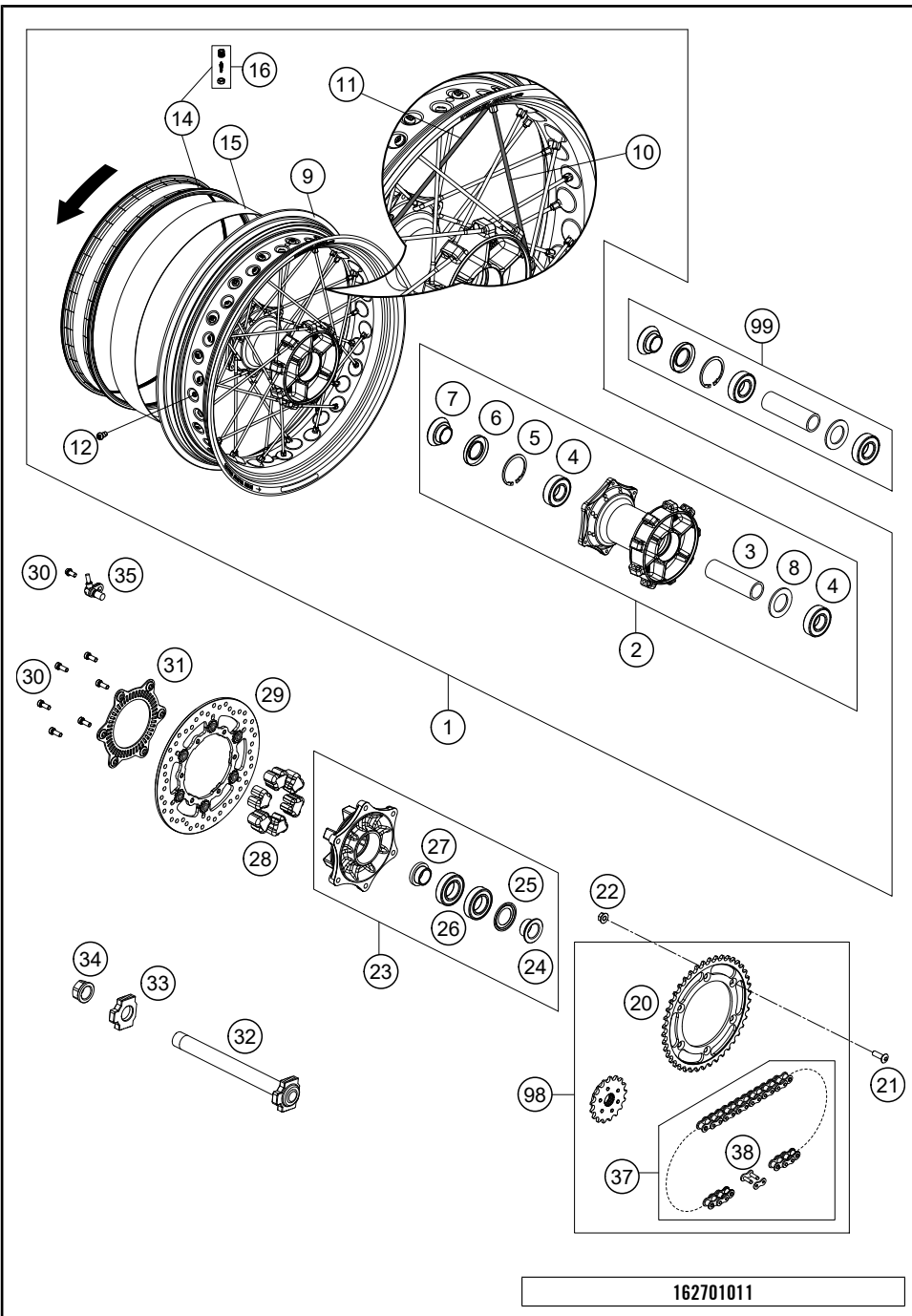
53427

* NEW PART

X ON DEMAND

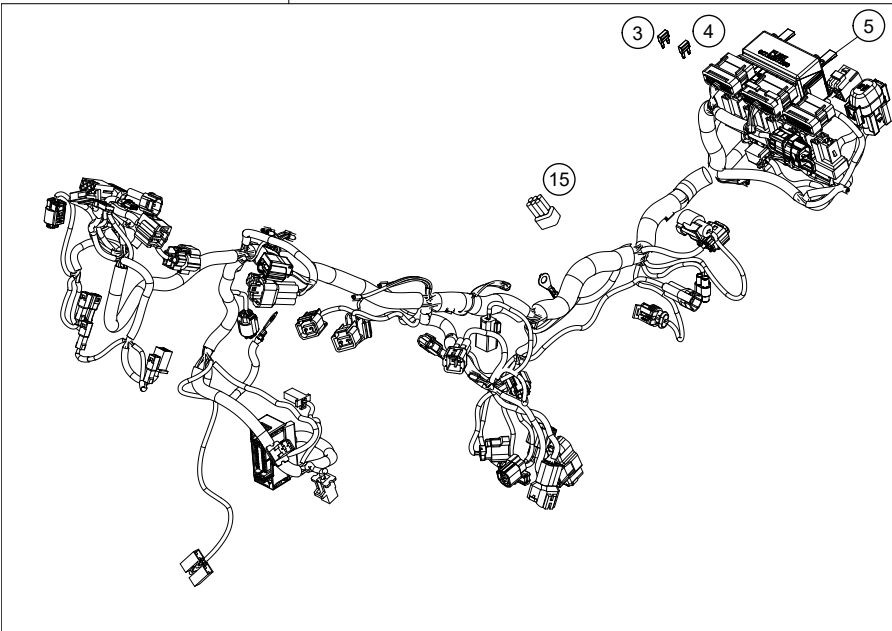
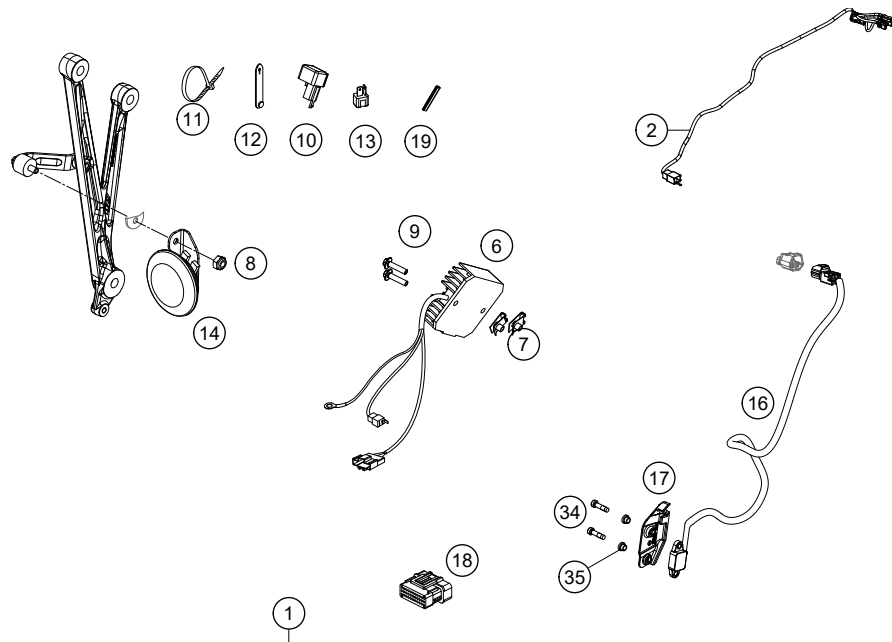
REAR WHEEL

690 SMC R 2021 2021



POS	PARTNUMBER	PARTNAME	PIECE
1	75010101144C1A	Rear wheel cpl. 5,0x17" TL	1
2	7531001004433	REAR WHEEL HUB CPL. BLACK	1
3	75310011000	BEARING SPACER TUBE L=106MM 07	1
4	0625062052	GR.BALL BEAR. 6205-2RSHC3HMTF7	2
5	0472052200	CIRCLIP DIN0472-52X2	1
6	0760305271	SHAFT SEAL RING 30X52X7	1
7	60110013000	SPACER BUSH. REAR WHEEL R/S 06	1
8	60010015000	SPACER RING 03	1
9	75010470000C1A	Rear rim 5,0x17"	1
10	75010073196	SPOKE M4,5X196-16G 17" INOX	18
11	81210171181	SPOKE M4,5X0,75X181	18
12	81210072100	SPOKE NIPPLE QUADRAX M4,5	36
14	75010177044	GASKET RUB. 17X5" CPL.W. VALVE	1
15	75010073000	RIM BAND 17"X 5.00"	1
16	81210076000	VALVE CPL.	1
20	75010051045	SPROCKET 45T 08	x
20	75010051042	SPROCKET STEALTH 42T 07	1
21	0019080266S	COUNTER-SUNK SCREW ISA45 M8X26	6
22	06923080003	hex nut EN 1661 M8 WS13	6
23	7501005004491	SPROCKET SUPPORT CPL. SILVER	1
24	60110012000	SPACER BUSH. SPROCKET SUPP. 06	1
25	60110016000	NILOS RING 6006AV	1
26	0625060060	BALL BEARING 6006 DDU2CG23S6NM	2
27	60110014000	SPACER BUSH. SPR. SUPP. IN. 06	1
28	54610459000	RUBBER DAMPING BLOCK '91	6
29	76510160000	BRAKE DISK REAR D=240	1
30	014580060166S	SHCS ISO 14580 M6x16 SL	7
31	76542021000	SENSOR WHEEL ABS REAR	1
32	75310085144	WHEEL SPINDLE CPL.	1
33	60010084000	CHAIN TENSIONER R/S LC8 03	1
34	60010086000	COLLAR NUT WH. SPINDLE REAR 03	1
35	76042125000	ABS-SENSOR	1
37	78010167118	CHAIN DID 118 LINKS	1
38	78010166100	RIVETING LINK FOR 78010167118	1
98	00050002074	DRIVETRAIN KIT 701 SM 16T/42T	x
99	75010015000	REAR WHEEL REP. KIT	x

* NEW PART X ON DEMAND



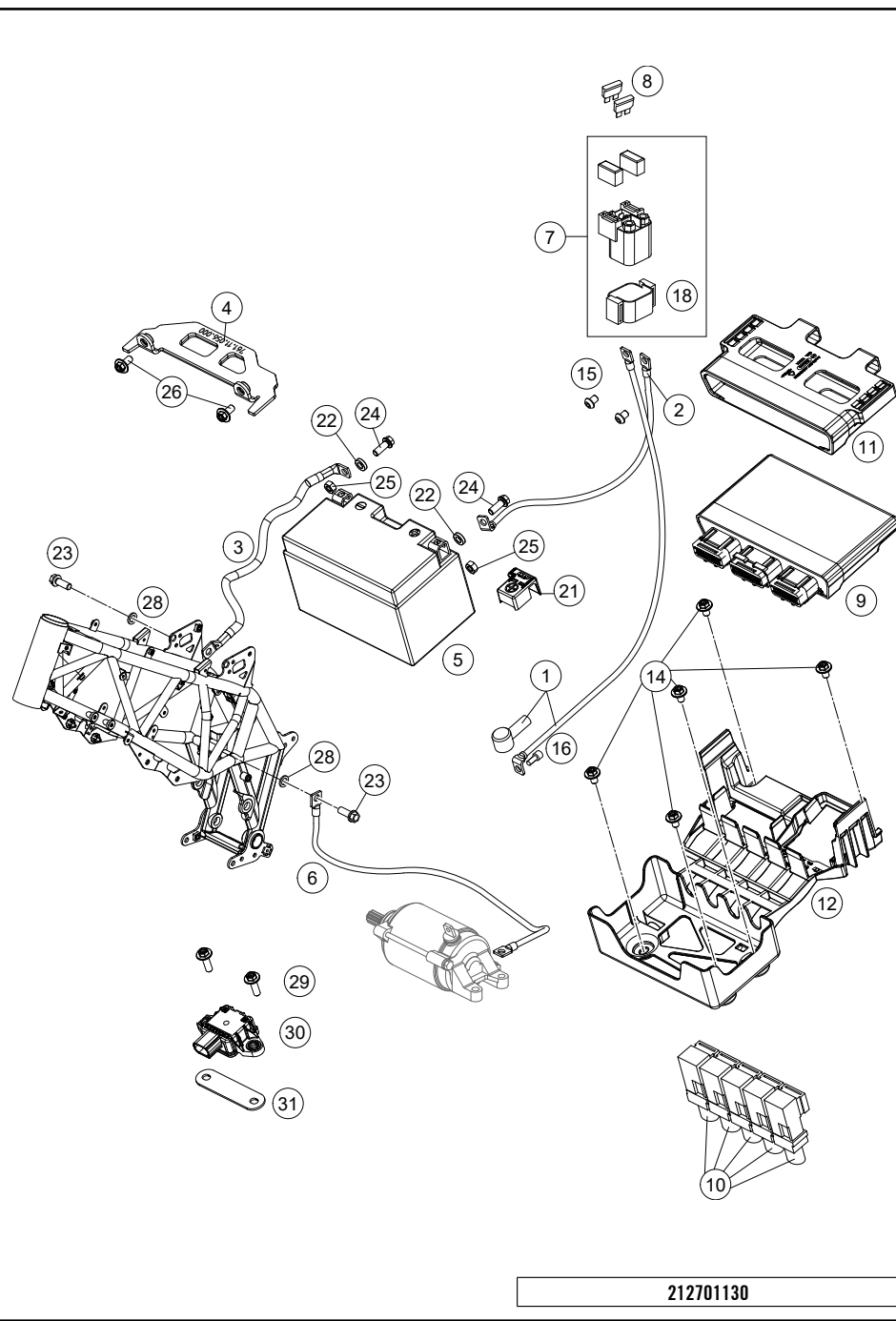
POS	PARTNUMBER	PARTNAME	PIECE
1	76111075000	Main wiring harness	1
2	76911076000	Rear part, wiring harness	1
3	75011088010	FUSE 10A 07	x
4	75011088015	FUSE 15A 07	x
5	75011087050	RUBBER CASING FOR FUSE BOX	1
6	62511034100	VOLTAGE REGULATOR	1
7	54603048100	clip nut M6	2
8	0985060003	SELF LOCK. NUT DIN0985-M 6	1
9	0024060256	HH COLLAR SCREW M6X25 TX30	2
10	76011030000	FLASHER UNIT LED 6,25W	1
11	44011076140	CABLE TIE 140/2,5MM BLACK	x
11	44011076200	CABLE TIE 200/3,6MM BLACK	x
11	44011076305	CABLE TIE 300/4,8MM BLACK	x
12	60011093045	RUBBER CABLE TIE 45MM 03	x
13	58411096100	DIODE S3H-15 97	3
14	64111060033	Direct current horn complete	1
15	000700000BH	SPARE CONNECTOR BH 6-PINS	1
16	61434051000	Shift shaft sensor	1
17	76834052000	Quickshifter sensor cover	1
18	0007000000E001	dummy connector OE 33-Pins	1
19	61011055045	EDGE PROTECTOR L=45MM 05	1
34	014580050203S	Cap hd. screw DIN14580 M5x20 Precote30	2
35	78003123070	Spacing tube spring retaining bracket	2

217691110

55780

* NEW PART

X ON DEMAND



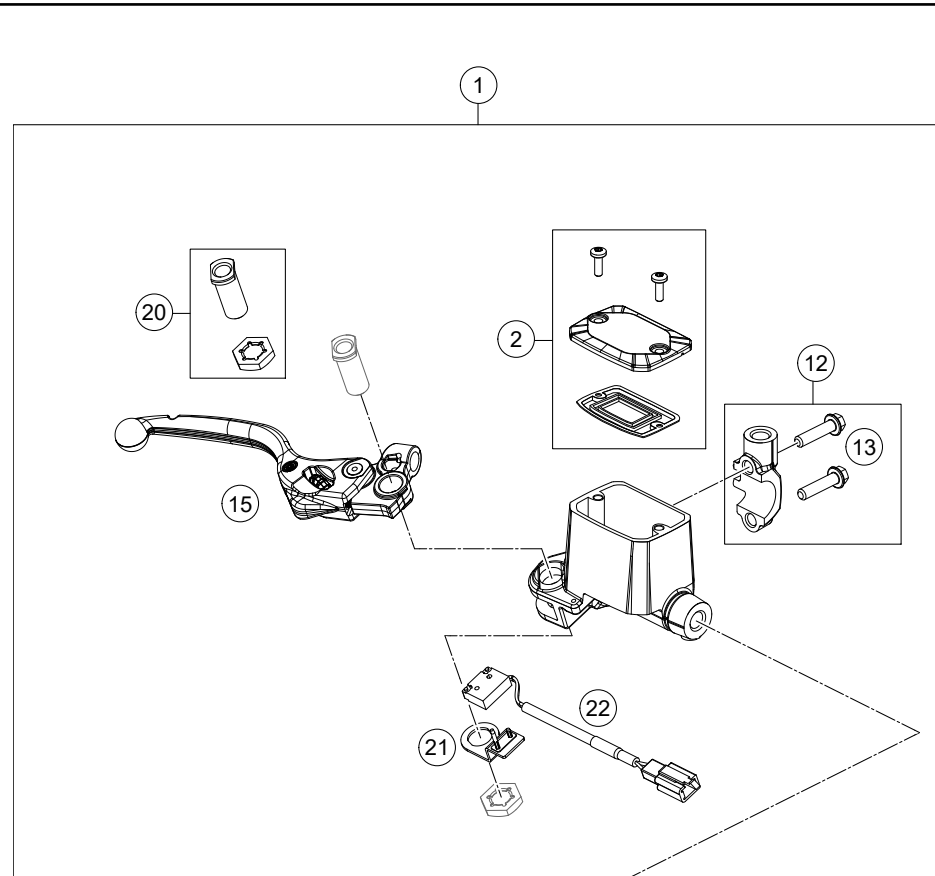
POS	PARTNUMBER	PARTNAME	PIECE
1	76511059000	STARTER-CABLE L=570MM 08	1
2	76111059050	Battery cable	1
3	76111097000	Earth wire	1
4	76111056044	Retaining bracket battery compl.	1
5	58411053100	BATTERY 12V 8,6AH 03	1
6	58411097100	GROUND CABLE D=6MM L=140MM '97	1
7	58211058000	STARTER RELAY 12V '99	1
8	58011109130	FUSE 30 A	2
8	58011109125	FUSE 25 A	1
9	61941031000	Engine control unit "KTKZ"	1
10	61111057000	RELAY CM1A-R-12V-H80 07	5
11	61741031050	Rubber mount ECU	1
12	76111055000	Electrical system support	1
14	0024060106	HH COLLAR SCREW M6X10 TX30	5
15	0902060083	AH OVAL SCREW ISO 7380 M 6X8	2
16	0912050083	SHCS DIN 912 M5x8	1
18	58211058050	BRACKET RUBBER F.STARTRELAY 07	1
21	62111059060	COVER POSITIVE POLE	1
22	12011016000	WASHER 6 X 12 X 3	2
23	0025060126	HH collar screw M6x12 TX30	3
24	0025060166	HH collar screw M6x16 TX30	2
25	0934060003	hex nut DIN 934 M6	2
26	0024060136	HH collar screw M6x13 TX30	2
28	58411098100	CONTACT WASHER M6 VSV-K6	3
29	0024060206	HH collar screw M6x20 TX30	2
30	61542090000	Angle sensor	1
31	76142090010	Adapter plate 6D sensor	1

212701130

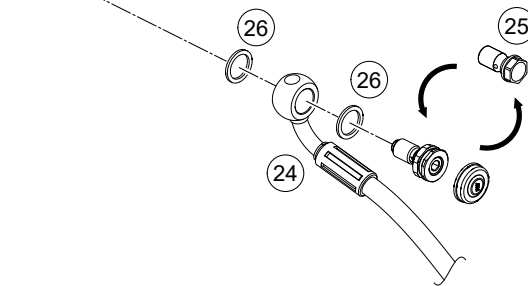
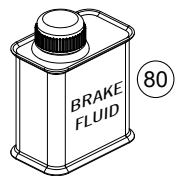
55638

* NEW PART

X ON DEMAND



POS	PARTNUMBER	PARTNAME	PIECE
1	27013101033	Brave cylinder preassembled	1
2	76013012000	COVER HAND BRAKE CYLINDER CPL.	1
12	76013005000	CLAMP CPL.	1
13	0025060256	HH collar screw M6x25 TX30	2
15	27013102000	front brake lever	1
20	76013006000	LEVER SCREW CPL.	1
21	76011040000	BRACKET F. BRAKE LIGHT SWITCH	1
22	76011050000	BRAKE LIGHT SWITCH FRONT	1
24	76542005000	BRAKE HOSE HAND BRAKE CYLINDER	1
25	62113020100	banjo bolt M10x1x19.5	1
26	0603100141	sealing ring DIN 7603 10x14x1	2
80	00062030000	BRAKE FLUID DOT5.1 0,25L	1

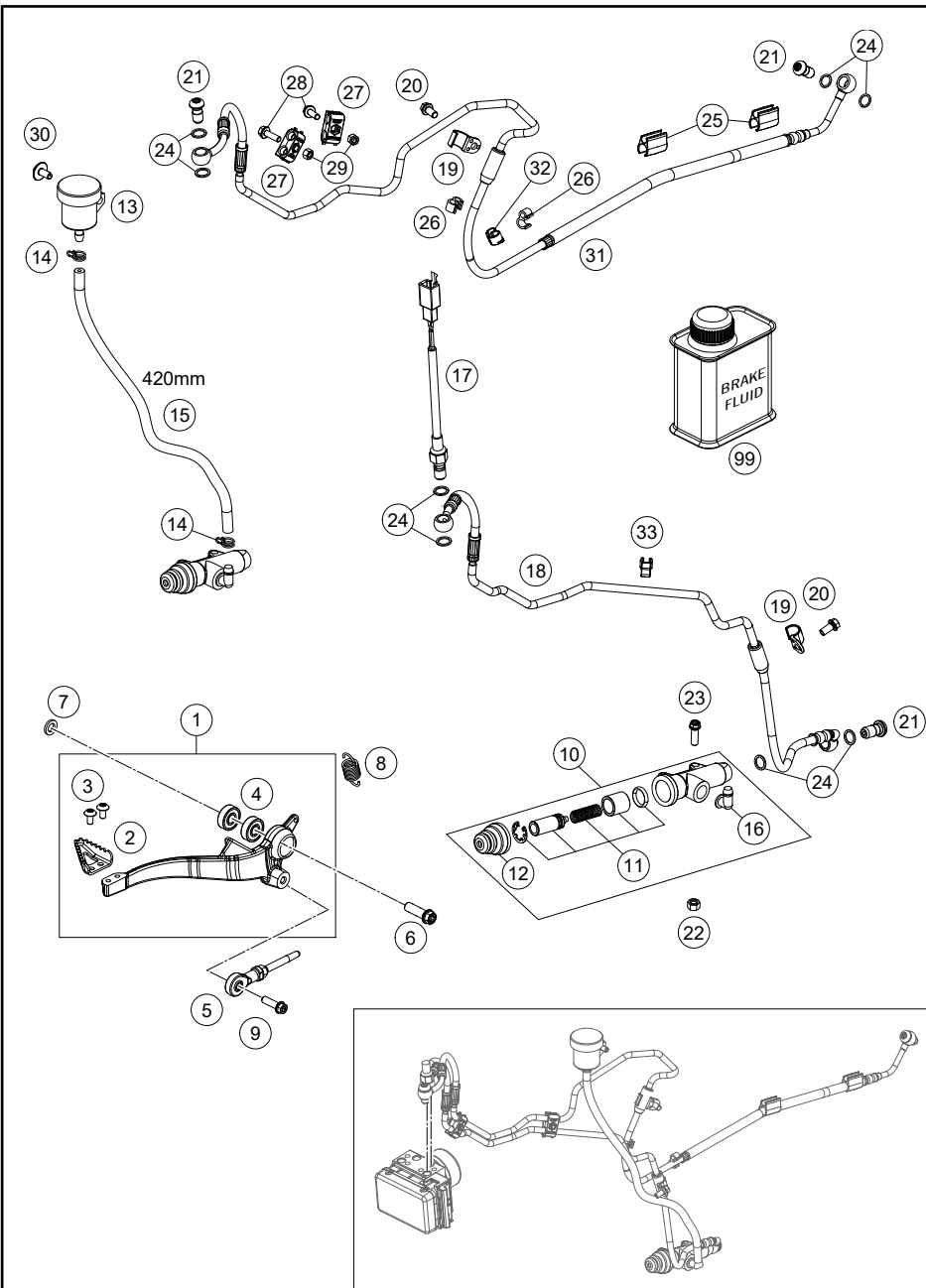


207651310

53395

* NEW PART

X ON DEMAND



POS	PARTNUMBER	PARTNAME	PIECE
1	76913050144	Footbrake lever preassembled	1
2	60013051000	STEP PLATE FOOT BRAKE LEVER 03	1
3	58605083010	SCREW TORX M5X10 05	2
4	0625006087	GROOVED BALL BEAR. 608 2RS C3	2
5	76513056144	PUSH ROD CPL.	1
6	0025080306S	HH COLLAR SCREW M8X30 TX40	1
7	0125080003	washer DIN 125 A -8.4	1
8	54603062200	Return spring for brake lever	1
9	0025060206S	HH collar screw M6x20 TX30	1
10	54513101044	MAIN BRAKE CYLINDER '89	1
11	76513061000	REPAIR KIT PISTON 13MM	1
12	54513151000	RUBBER SLEEVE	1
13	54513030044	BRAKE FLUID RESERVOIR '89	1
14	58007017000	YDNAC CLAMP 10101 (10,4MM)	2
15	69013069001	HOSE FOR RESERVOIR 6X1,5	1
16	54513155000	ANGLE PIECE	1
17	62111051000	BRAKE LIGHT SWITCH REAR	1
18	76542003000	BRAKE HOSE REAR MASTER CYL.	1
19	76542050000	CLAMP	2
20	0025060126	HH collar screw M6x12 TX30	2
21	62113020100	banjo bolt M10x1x19.5	3
22	0926060000	STOP NUT M6 DIN6926 A2-70	2
23	0025060256	HH collar screw M6x25 TX30	2
24	0603100141	sealing ring DIN 7603 10x14x1	8
25	54813026100	CABLE SUPPORT 10/4MM 2014	2
26	60111094100	BAR SPACER 4/7 BLACK	2
27	60113146000	SUPPORT FOR BRAKE HOSE M5	2
28	0025050166	HH collar screw M5x16 TX30	2
29	0985050003	SELF LOCKING NUT DIN0985-M 5	2
30	0024060136	HH collar screw M6x13 TX30	1
31	76542001000	BRAKE HOSE REAR CALIPER	1
32	76913047010	spacer bracket D=6/8,5mm	1
33	76913047020	Hose bracket	1
99	00062030000	BRAKE FLUID DOT5.1 0,25L	1

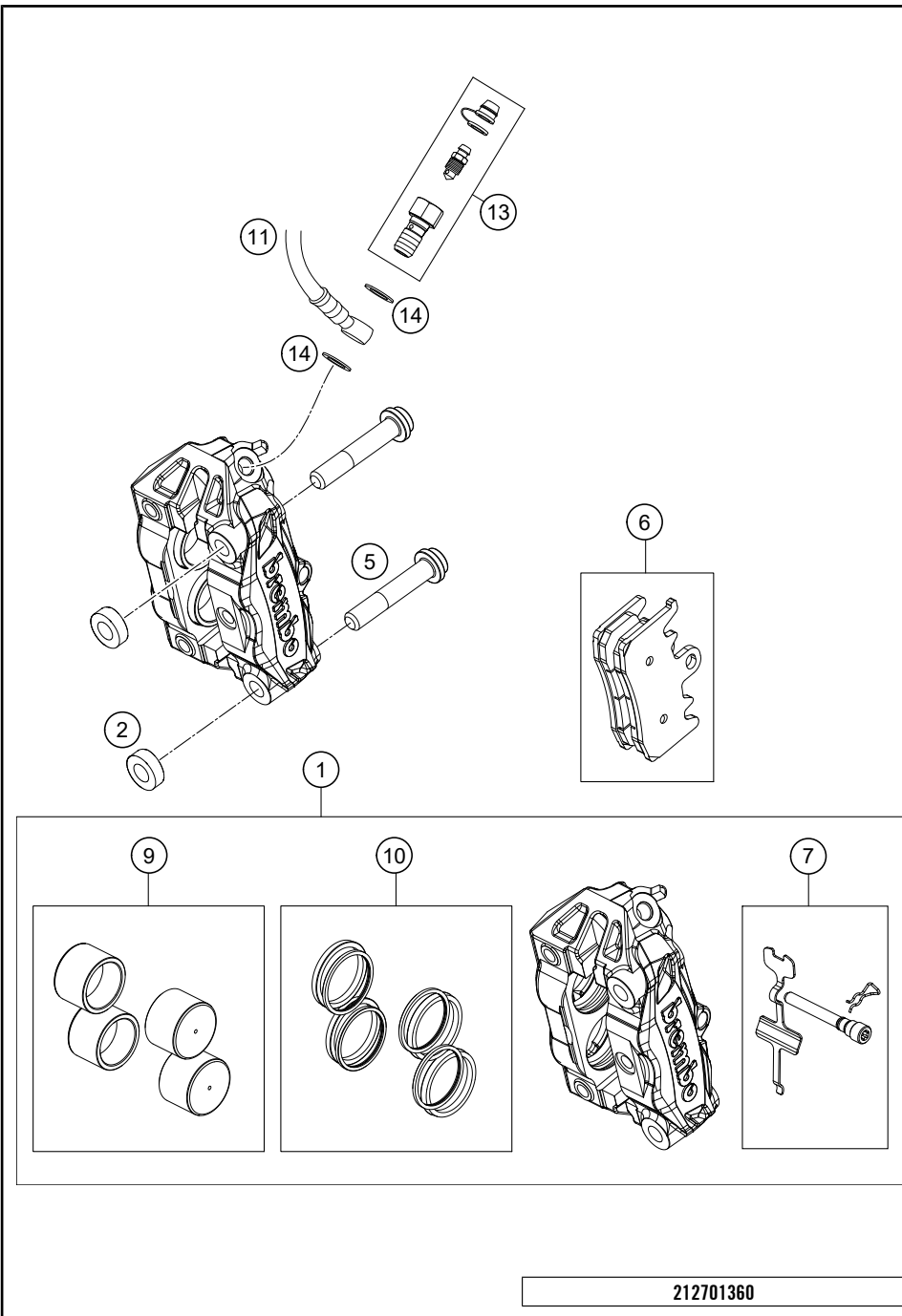
202701330

53426

* NEW PART X ON DEMAND

FRONT BRAKE CALIPER

690 SMC R 2021 2021

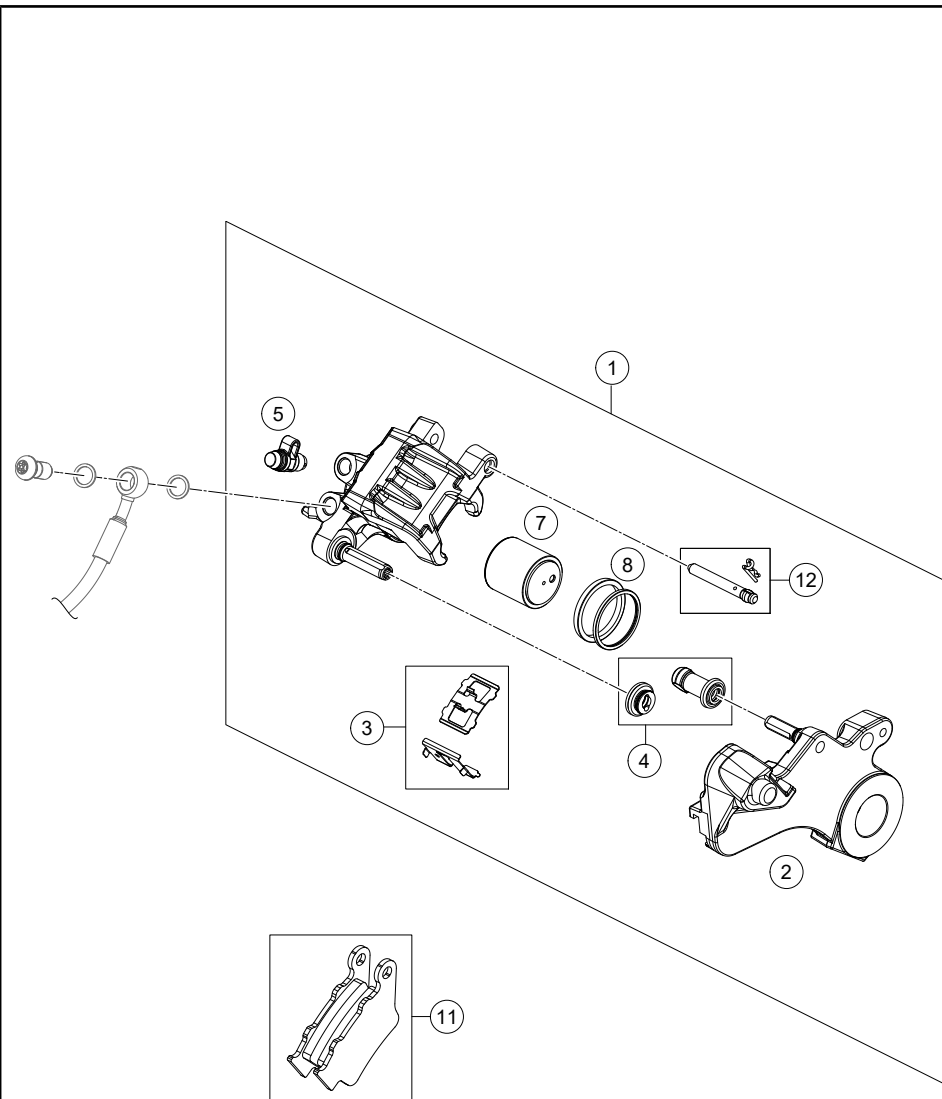


POS	PARTNUMBER	PARTNAME	PIECE
1	7611301500101	brake caliper without toppings	1
2	6111302200001	SPACER BUSH 10,1X20X7,5 07	2
5	0035100659	AH-COLLAR SCREW M10X1,25X65	2
6	76113030000	Brake pad front BRM 10A HH	1
7	76113017000	bolt and springs set	1
9	76113019000	breake piston set	1
10	76113019050	Repair Kit sealing ring	1
11	27142106000	Brake line, brake caliper, front	1
13	62513020000	BLEEDER SCREW CPL. 05	1
14	0603100141	sealing ring DIN 7603 10x14x1	2

55732 * NEW PART X ON DEMAND

REAR BRAKE CALIPER

690 SMC R 2021 2021



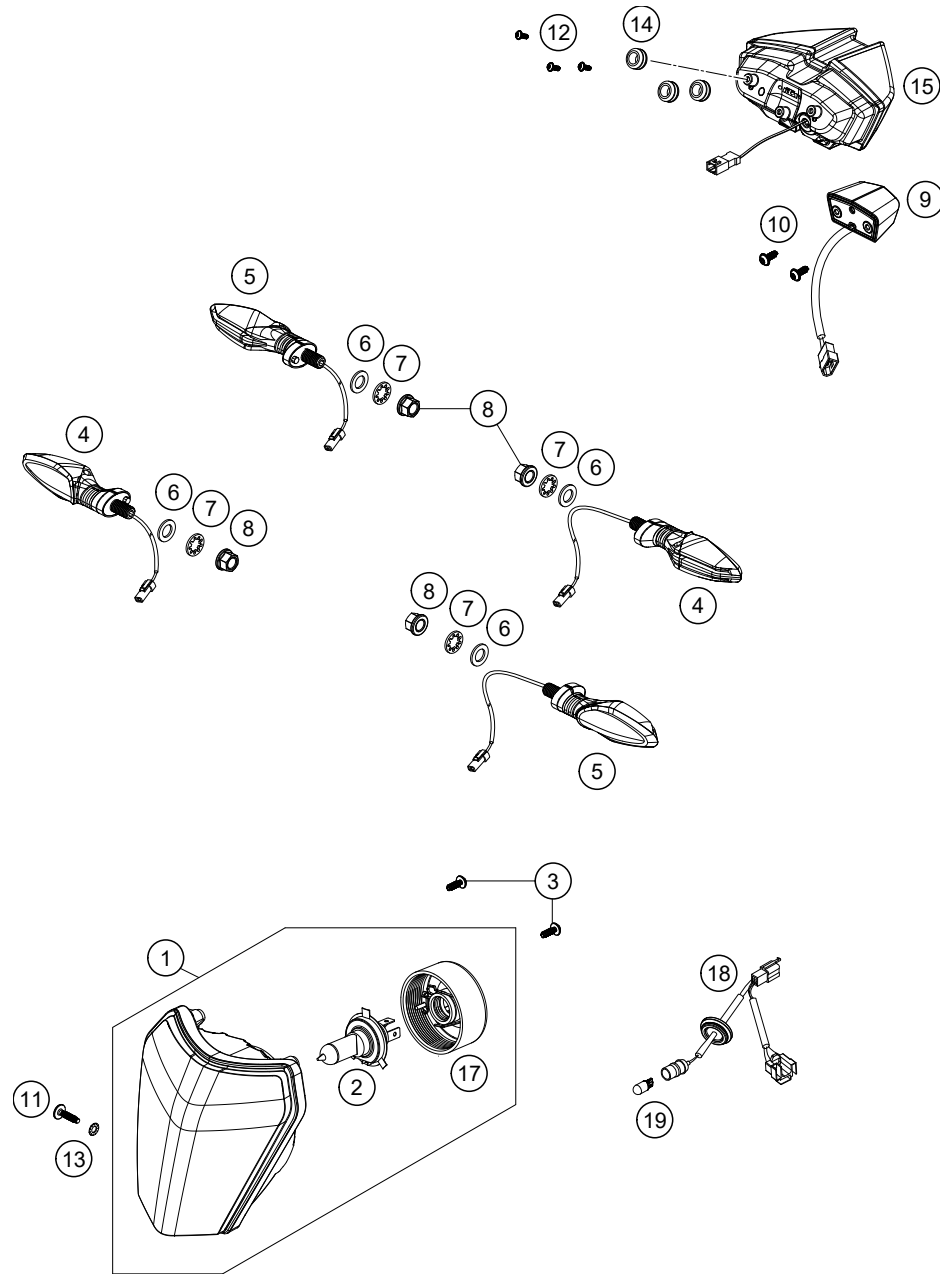
POS	PARTNUMBER	PARTNAME	PIECE
1	7601308000101	BRAKE CAL. RE. - WITHOUT PADS	1
2	7601317500001	BRAKE CALIPER BRACKET REAR	1
3	54613311200	RETAINING SPRING SET	1
4	54613218000	CUP SET SHORT	1
5	61013020200	BLEEDER SCREW WITH CAP	1
7	50313083000	BRAKE PISTON 32MM	1
8	50313081000	REPAIR KIT SEALING RINGS 32MM	1
11	75013090000	BRAKE PAD SET REAR SBS-S-40GF	1
12	61013082000	BOLT SET 05	1

197691390

51929

* NEW PART

X ON DEMAND



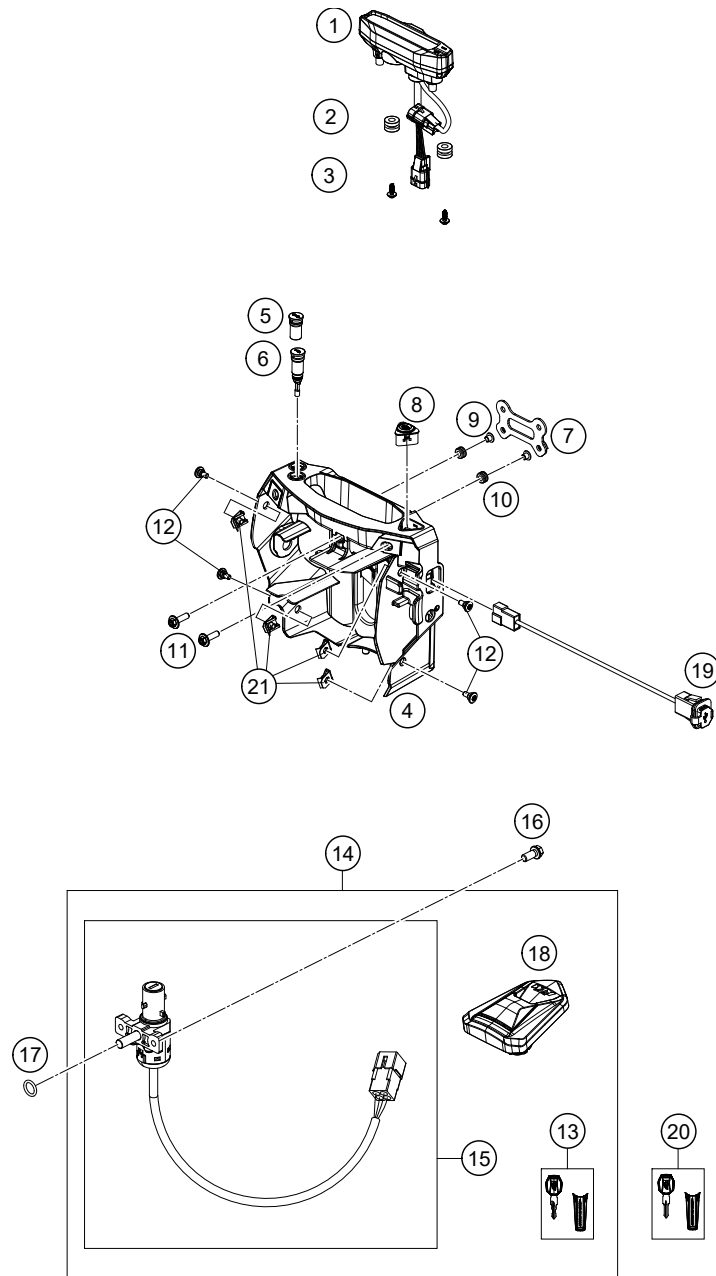
POS	PARTNUMBER	PARTNAME	PIECE
1	76914001000	Headlight	1
2	57111038000	BULB H4 12V 60/55W (P43T)	1
3	0081050141	EJOT PT screw K50x14	2
4	60314026000	turn signal front right/rear left	2
5	60314025000	turn signal front left/rear right	2
6	0433100003	WASHER 18x10,5x1,6	4
7	0797100003	LOCK WASHER DIN6797-J10,5 ZI	4
8	58414030000	HH COLLAR NUT M10X1,25 WS=13	4
9	60314047000	license plate lighting	1
10	0081050121	EJOT PT screw K50x12	2
11	0081050203	EJOT PT screw 50x20 T25	1
12	0081645121	EJOT DELTA PT SCREW 45X12-Z	3
13	006798050103	Serrated lck washer, DIN 6798-A, 5.3 A2K	1
14	60006001022	rubber grommet 9x11x16x8.5 mm	3
15	63514040000	Tail light	1
17	76914001050	rubber cap for headlight	1
18	76911079000	wiring harness head light	1
19	49011435100	BULB 12V 5W (W2,1X9,5D) PHIL.	1

197691410

53429

* NEW PART

X ON DEMAND



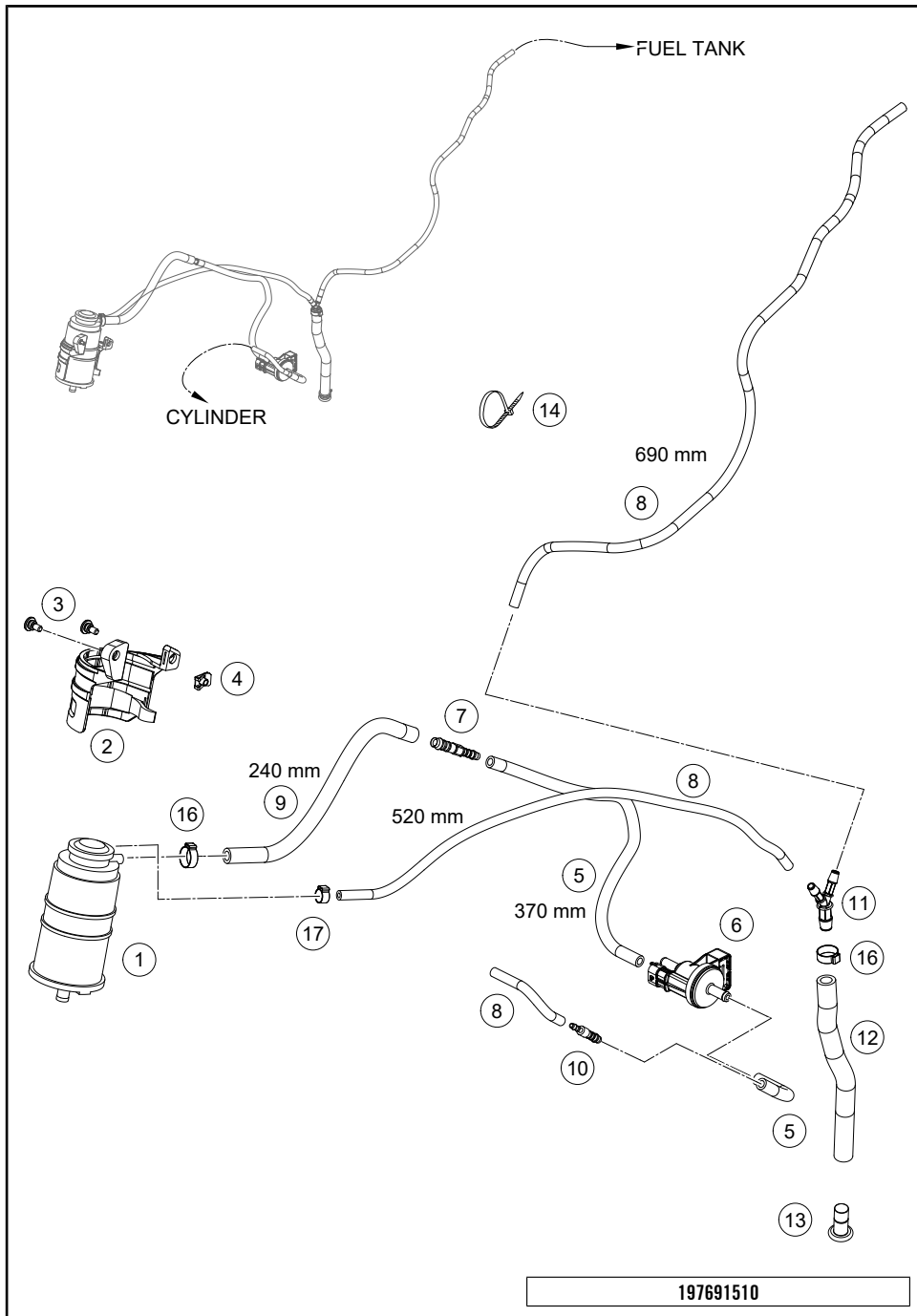
POS	PARTNUMBER	PARTNAME	PIECE
1	76114069000	Dashboard	1
2	58214069051	rubber grommet 16x10.8x3	2
3	0081045121	SCREW FOR PLASTIC K45X12 T20	2
4	76114060000	Dashboard support	1
5	27014081000	FLASHER CONTROL LIGHT	1
6	76914082000	Oil pressure warning indicator	1
7	76114062044C1	Adapter plate dashboard compl.	1
8	76142070000	ABS switch	1
9	75014010050	COLLAR BUSHING 6,1X8,1X14X8 07	2
10	31008060000	rubber grommet D=8mm open	2
11	0024060156	HH collar screw M6x15 TX30	2
12	69008021160	special screw M5x12	4
13	76911067000	KTM ignition key	x
14	76911066044	Lock kit compl.	1
15	27011066100	Ignition Switch with key	1
16	59009062013	SPECIAL SCREW M6X13 WS=8 10.9	2
17	0770100020	o-ring 10.00x2.00 silicone	1
18	76907008000	Fuel tank cap	1
19	64111043000	USB power socket 12 V	1
20	76911067010	Ignition lock	x
21	54603048200	RANGE CHANGE METAL NUT M5	4

217691430

55787

* NEW PART

X ON DEMAND



POS	PARTNUMBER	PARTNAME	PIECE
1	59415001100	EVAPORATIVE CANISTER 08	1
2	76915002000	Activated charcoal filter clamp	1
3	69008021160	special screw M5x12	2
4	69008021080	clip nut M5	1
5	78015019001	HOSE EPA D=6/10 PER METER	x
6	76015015000	EVAP valve	1
7	28515023100	Reducer GRS8-6	1
8	78015021000	HOSE EPA D=4/8 L=2000MM	1
9	28515024001	Hose 8x13 FKM/ECO	1
10	76915023000	Reducer GRS6-4 black	1
11	61315028100	Y-CONNECTOR YS 6-10-6	1
12	78015119000	HOSE EPA D=10/16 L=2000MM	1
13	61315026000	PLUG D=10	1
14	44011076140	CABLE TIE 140/2,5MM BLACK	x
16	00050170706	VARIABLE ONE-EAR CLAMP 17,0MM	2
17	00050109706	stepless one-ear clamp	1

197691510

53431

* NEW PART X ON DEMAND

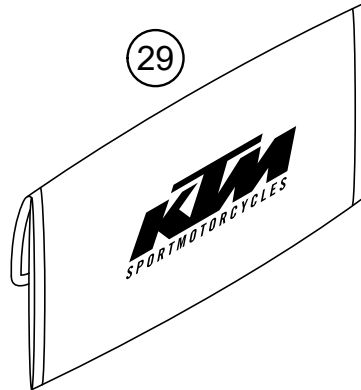
0

OHNE ABBILDUNG
WITHOUT ILLUSTRATION

1

TECHNISCHE DOKUMENTATION
TECHNICAL DOCUMENTATION
DOCUMENTACION TECNICA
DOCUMENTATION TECHNIQUE
NOTE TECNICHE

29



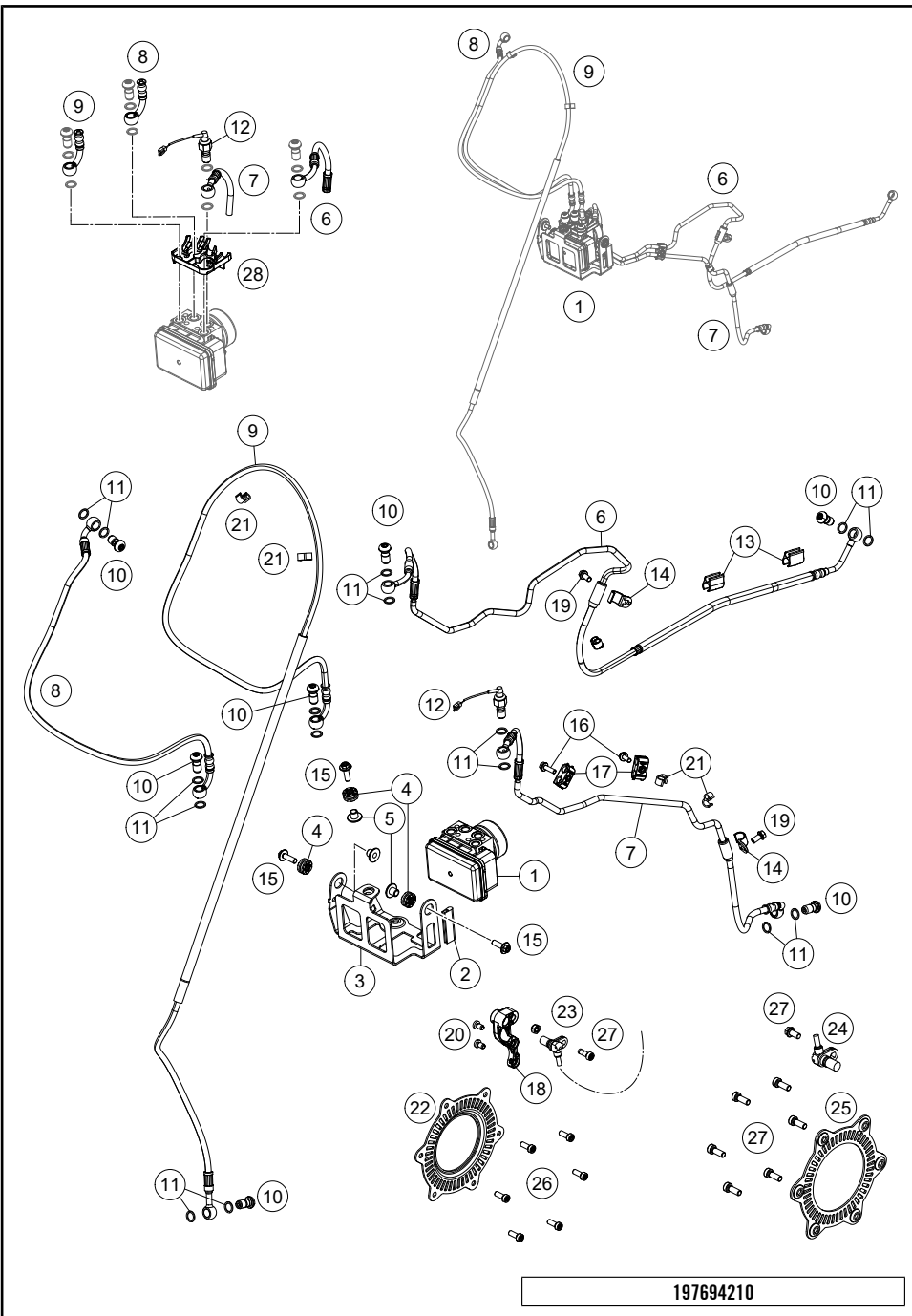
POS	PARTNUMBER	PARTNAME	PIECE
0	76912008000	passenger handle bar left	1
0	76912009000	passenger handle bar right	1
0	76902182044C1	Handguard compl. SM	1
0	79602979044	Wrap-around handguard	1
0	76903038050	Heel protector, left	1
0	76903039050	Heel protector, right	1
0	0025080126	HH collar screw M8x12 TX40	4
0	60003040133	FOOTPEG LS+RS CPL.	1
0	75008023000	WASHER REAR-UT D=14MM	4
0	60408061050	RUBBER 14X6.5X2.3MM	2
0	58412080400	Rear reflector red	1
0	64112181100	Bracket for reflector	1
0	00063000019	BUBBLE WRAP 320 X 200 MM	4
0	54603048100	clip nut M6	2
0	312305	DOCUMENTS BAG 2006	1
0	3210917	NOTEPAD	1
0	312313	KTM BALLPOINT PEN ORANGE	1
0	7690304803301	Rear footpeg bracket left compl.	1
0	7690304903301	Rear footpeg bracket right compl.	1
0	0025080166	HH COLLAR SCREW M8X16 TX40	4
0	60312040200	Mirror	2
0	00063004202	PRINT LABEL 60X51 MM	1
0	0025050126	HH collar screw M5x12 TX30	4
0	58412080300	REFLECTOR YELLOW "CEV"	2
0	00063099014	GRIFFSCHUTZ NOMAPACK 28/13	2
0	0025080556	HH collar screw M8x55 TX40	4
0	20180195INT	KTM Bypack Folder Street	1
1	3214281EN	Owner's manual 690 SMC R EU 2021	1
29	76129099000	Vehicle tool kit	1

217612000

55853

* NEW PART

X ON DEMAND



POS	PARTNUMBER	PARTNAME	PIECE
1	61742031044	ABS module filled	1
2	61011055045	EDGE PROTECTOR L=45MM 05	1
3	27042040000	BRACKET PLATE ABS-MODUL	1
4	62142041000	DAMP. COMPONENT ABS MODUL	3
5	61342041000	COLLAR BUSH 6,5X9X18X8,5	3
6	76542001000	BRAKE HOSE REAR CALIPER	1
7	76542003000	BRAKE HOSE REAR MASTER CYL.	1
8	76542005000	BRAKE HOSE HAND BRAKE CYLINDER	1
9	76142106000	Brake line, front brake caliper	1
10	62113020100	banjo bolt M10x1x19.5	7
11	0603100141	sealing ring DIN 7603 10x14x1	16
12	62111051000	BRAKE LIGHT SWITCH REAR	1
13	54813026000	CABLE SUPPORT 10/6MM 06	2
14	76542050000	CLAMP	2
15	0024060206	HH collar screw M6x20 TX30	3
16	0025050166	HH collar screw M5x16 TX30	2
17	60113146000	SUPPORT FOR BRAKE HOSE M5	2
18	27042024100	SENSOR BRACKET	1
19	0025050126	HH collar screw M5x12 TX30	2
20	0018050103	INT. TORX OVAL HEAD M 5X10 8.8	2
21	60111094000	CLIP 5/7 MM 06	4
22	60142020000	SENSOR WHEEL FRONT 06	1
23	27042025000	ABS SENSOR	1
24	76042125000	ABS-SENSOR	1
25	76542021000	SENSOR WHEEL ABS REAR	1
26	59009062026	SPECIAL SCREW M6X26 SW=8 10.9	6
27	014580060166S	SHCS ISO 14580 M6x16 SL	8
28	76542033000	ANTI-TWIST PROTECTION ABS	1

197694210

55836

* NEW PART X ON DEMAND

1

2

ACHTUNG
Lesen Sie vor der ersten Inbetriebnahme des Fahrzeuges die gesamte Bedienungsanleitung aufmerksam durch!

IMPORTANT
Please read the entire owner's manual carefully before putting the vehicle into operation for the first time.

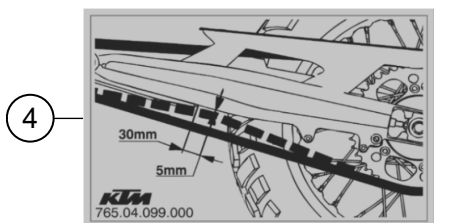
ATTENZIONE
Prima della messa in funzione iniziale del veicolo, leggere con attenzione l'intero manuale d'uso!

ATTENTION
Lire attentivement l'ensemble du manuel d'utilisation avant de mettre le véhicule en service!

ATENCIÓN
Lea completa y atentamente el manual de instrucciones antes de poner en servicio por primera vez el vehículo!

3

SETTING look owner's manual	690 SMC-R 769.01.198.000				FORK		SHOCK	
	Compression (clicks)	Rebound (clicks)	Compr. low speed (clicks)	Compr. high speed (turns)	Rebound (clicks)	Spring preload		
Comfort	20	20	2	2	20	18mm		
Standard	15	15	1,5	1,5	15	18mm		
Sport	10	10	1	1	10	18mm		
Max. payload	10	10	1	1	10	25mm		



5

10	058625
41	040155
60	000087
78	030307

769.03.095.000 KTM 690 LC4

6

7

8

690 SMC-R 769.03.198.000

Fuel: RON 95 unleaded (USA = PREMIUM PON 91)
Tyre front: 120/70ZR17 (58W) TL
Air pressure front: rider only 2.3 bar (34 psi)
max. payload 2.3 bar (34 psi)
Tyre rear: 160/60ZR17 (69W) TL
Air pressure rear: rider only 2.5 bar (36 psi)
max. payload 2.5 bar (36 psi)
Max. payload: 150 kg (419 lbs)
Max. total weight: 350 kg (772 lbs)
Engine oil: fully synthetic 10W50

Further information see owner's manual

9

KTM AG
VBKXXXXXXXXXXXX
KTM XXXXXXXXX

LXX-XX (XXKW) db 0000 min⁻¹
e1-XXXXXXXXXX00 max. XXX kg

LXX-XX (XXKW) 00 db 0000 min⁻¹
e1-XXXXXXXXXX max. XXX kg

10

APPROVAL No. 11111 CATEGORY LC
KTM KTM AUSTRALIA PTY LTD XXXXXXXXX

THIS VEHICLE WAS MANUFACTURED TO COMPLY WITH THE MOTOR VEHICLE STANDARDS ACT. 1989

POS	PARTNUMBER	PARTNAME	PIECE
1	50203098003	Sticker "WARNING LABEL 3"	1
2	50307098000	STICKER "OWNERS MANUAL"	1
3	76901198000	Sticker STD setting 690 SMC-R	1
4	76504099000	Sticker "Kettenspannung"	1
5	76903095000	Sticker ECE JP	1
6	21007098000	Sticker fuel labelling	1
7	21003094000	"Sticker ""EAC"""	1
8	76903198000	Sticker technical data SMC-R	1
9	LI21-761-2A	Typenschild EURO 4 KTM	1
10	LI21-761-3	Typenschild Australien KTM	1

217618011

55438

* NEW PART X ON DEMAND

A large, empty rectangular box with a thin black border, occupying the majority of the page. It is intended for handwritten notes.

A large, empty rectangular box with a thin black border, occupying the majority of the page. It is intended for handwritten notes.

WWW.KTM.COM



KTM Sportmotorcycle GmbH
5230 Mattighofen, Austria
www.ktm.com



KTM_POWERPARTS

KTM_POWERWEAR

KTM_ORIGINAL SPARE PARTS



F9703U9EN

Art. Nr.: F9703U9EN 22. Okt 2020