

1290 SUPER ADVENTURE S, black 2022 EU 2022

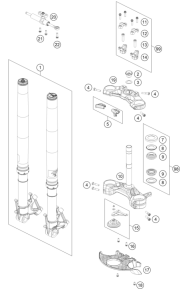
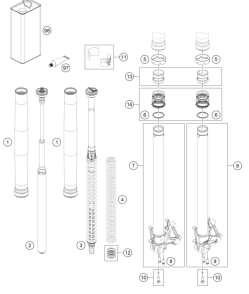
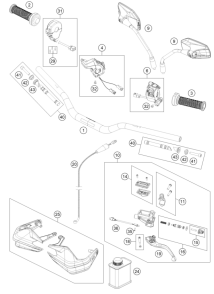
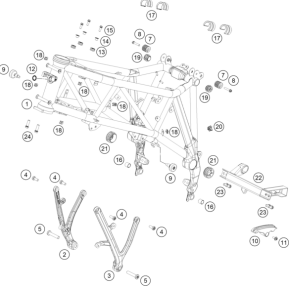
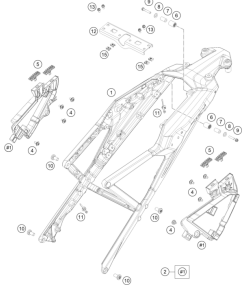
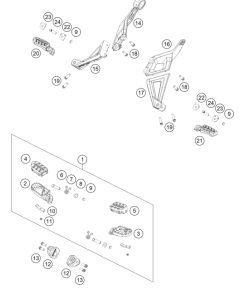
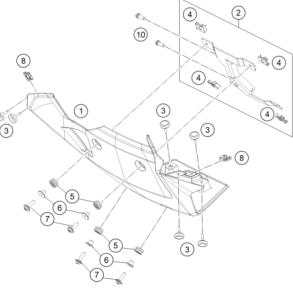
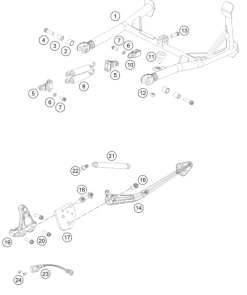
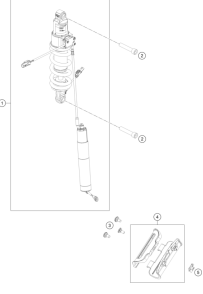
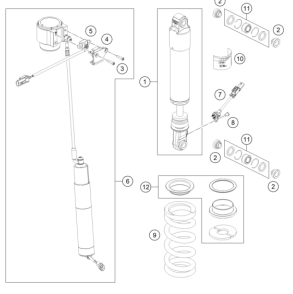
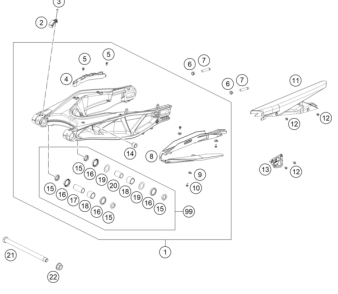
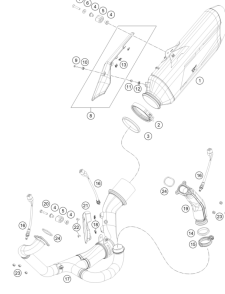
ART.-NR.: F9903V5EN

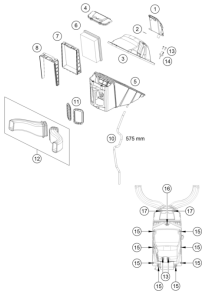
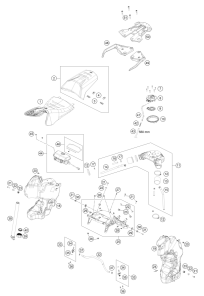
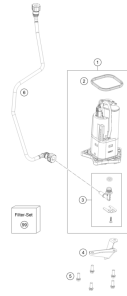
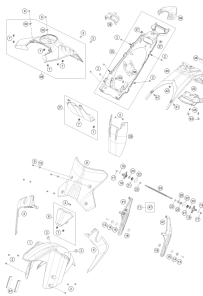
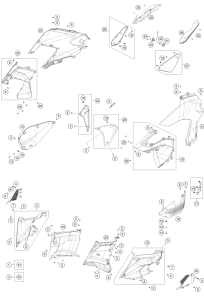

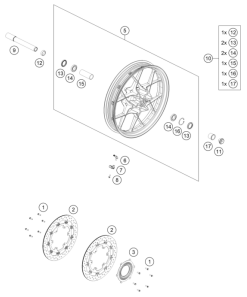
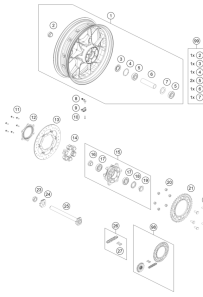
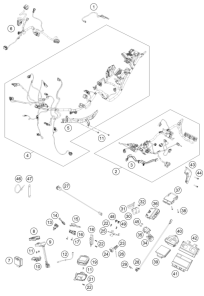
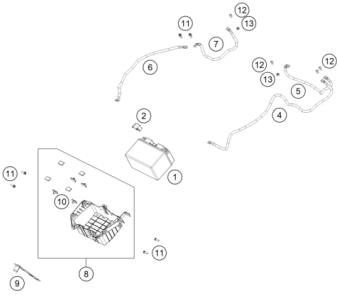
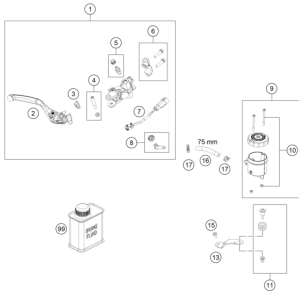
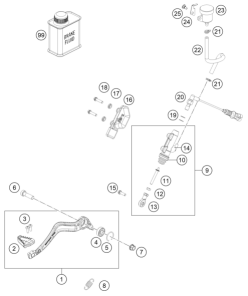


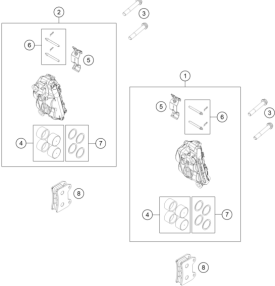
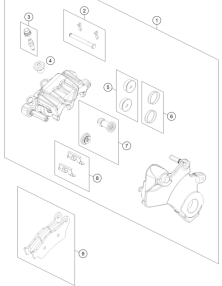
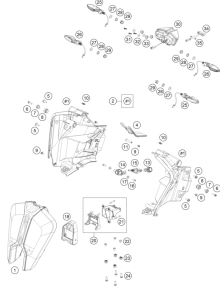
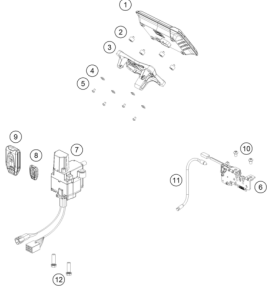
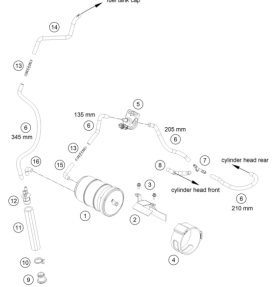
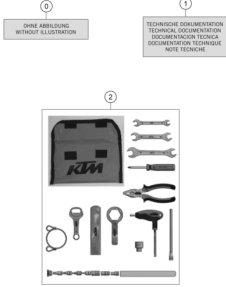




All information contained is without obligation. KTM Sportmotorcycle GmbH particularly reserves the right to modify any equipment, technical specifications, prices, colors, shapes, materials, services, service work, constructions, equipment and the like so as to adapt them to local conditions or to cancel any of the above items, all without previous announcement and without giving reasons. KTM may stop manufacturing certain models without previous notice. KTM shall not be held liable for any deviations of availability and/or ability to deliver, illustrations, descriptions, printing and/or other errors. The illustrated models partly contain extra equipment, which is not applied to standard models.

© by KTM Sportmotorcycle GmbH, Mattighofen AUSTRIA; All rights reserved; Reprint, also in extracts, with written allowance of KTM Sportmotorcycle GmbH, Mattighofen only.

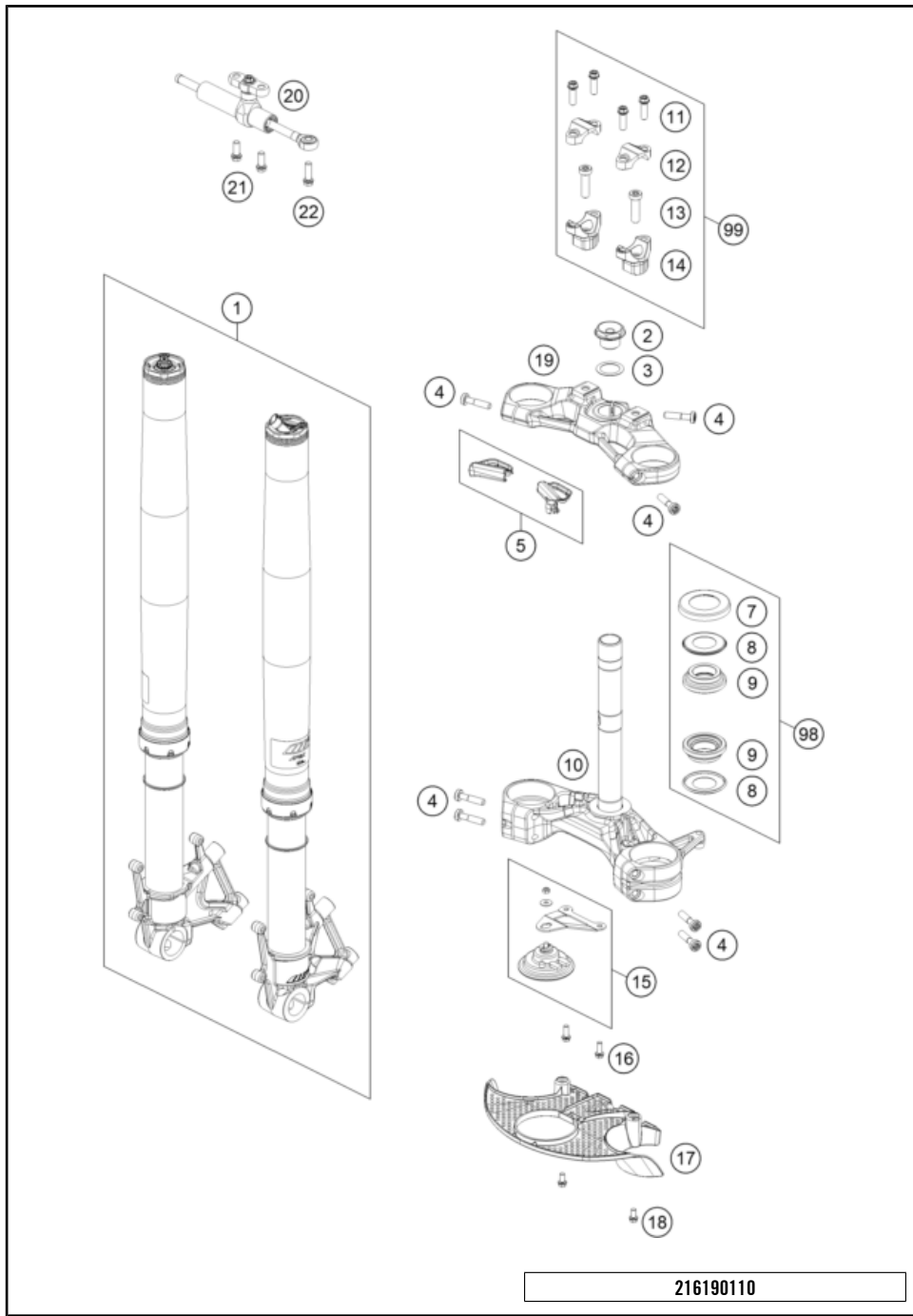
<p>FRONT FORK, TRIPLE CLAMP</p>  <p>4</p>	<p>FRONT FORK DISASSEMBLED</p>  <p>5</p>	<p>HANDLEBAR, CONTROLS</p>  <p>6</p>	<p>FRAME</p>  <p>7</p>
<p>SUBFRAME</p>  <p>8</p>	<p>FOOTPEGS</p>  <p>9</p>	<p>ENGINE GUARD</p>  <p>10</p>	<p>SIDE / CENTER STAND</p>  <p>11</p>
<p>SHOCK ABSORBER</p>  <p>12</p>	<p>SHOCK ABSORBER DISASSEMBLED</p>  <p>13</p>	<p>SWING ARM</p>  <p>14</p>	<p>EXHAUST SYSTEM</p>  <p>15</p>

<p>AIR FILTER</p>  <p>16</p>	<p>TANK, SEAT</p>  <p>17</p>	<p>FUEL PUMP</p>  <p>19</p>	<p>MASK, FENDERS</p>  <p>20</p>
<p>SIDE TRIM</p>  <p>22</p>	<p>DECAL</p>  <p>23</p>	<p>FRONT WHEEL</p>  <p>24</p>	<p>REAR WHEEL</p>  <p>25</p>
<p>WIRING HARNESS</p>  <p>26</p>	<p>BATTERY</p>  <p>28</p>	<p>FRONT BRAKE CONTROL</p>  <p>29</p>	<p>REAR BRAKE CONTROL</p>  <p>30</p>

<p>FRONT BRAKE CALIPER</p>  <p>31</p>	<p>REAR BRAKE CALIPER</p>  <p>32</p>	<p>LIGHTING SYSTEM</p>  <p>33</p>	<p>INSTRUMENTS / LOCK SYSTEM</p>  <p>34</p>
<p>EVAPORATIVE CANISTER</p>  <p>35</p>	<p>SEPERATE ENCLOSURE</p>  <p>36</p>	<p>ANTIBLOCK SYSTEM ABS</p>  <p>37</p>	<p>TECHNIC INFORMATION STICKER</p>  <p>38</p>

FRONT FORK, TRIPLE CLAMP

1290 SUPER ADVENTURE S, black 2022 EU 2022



POS	PARTNUMBER	PARTNAME	PIECE
1	14181U2601	Fork KTM 1290 Super Adventure S 21	1
2	6900103600033	Steering head screw	1
3	0988253505	thrust wash DIN0988-25x35x0,5	1
4	0035080356	AH-COLLAR SCREW M8X35 ISA45	7
5	61901034010	Triple clamp cable protection cpl.	1
7	69001086100	PROT. RING STEER. HEAD BEARING	1
8	69001084100	Steering head gasket	2
9	69001181000	STEERINGHEAD KPL.17	2
10	61901032032C1	Bottom triple clamp cmpl. X=32 mm	1
11	0025080256	HH collar screw M8x25	4
12	7720103800030	HANDLEBAR CLAMP 28MM	2
13	0032100356S	AH-COLLAR SCREW M10X35 ISA45	2
14	5940103904230	Handlebar mount D28mm-H42mm	2
15	61911060033	Horn cmpl.	1
16	0025060166	HH collar screw M6x16 TX30	2
17	61908024100	Triple clamp cover, bottom	1
18	0025060126	HH collar screw M6x12 TX30	2
19	61901034032C1	Top triple clamp, X=32 mm	1
20	16181N53ES	STEERING DAMPER CPL.	1
21	0025080206S	HH collar screw M8x20 TX40 SL	2
22	0025080256S	HH COLLAR SCREW M8X25 TX40	1
98	69001181010	Steering head rep. Kit	x
99	00050000927	HANDLEBAR SUPPORT KIT ADV.1190	x

216190110

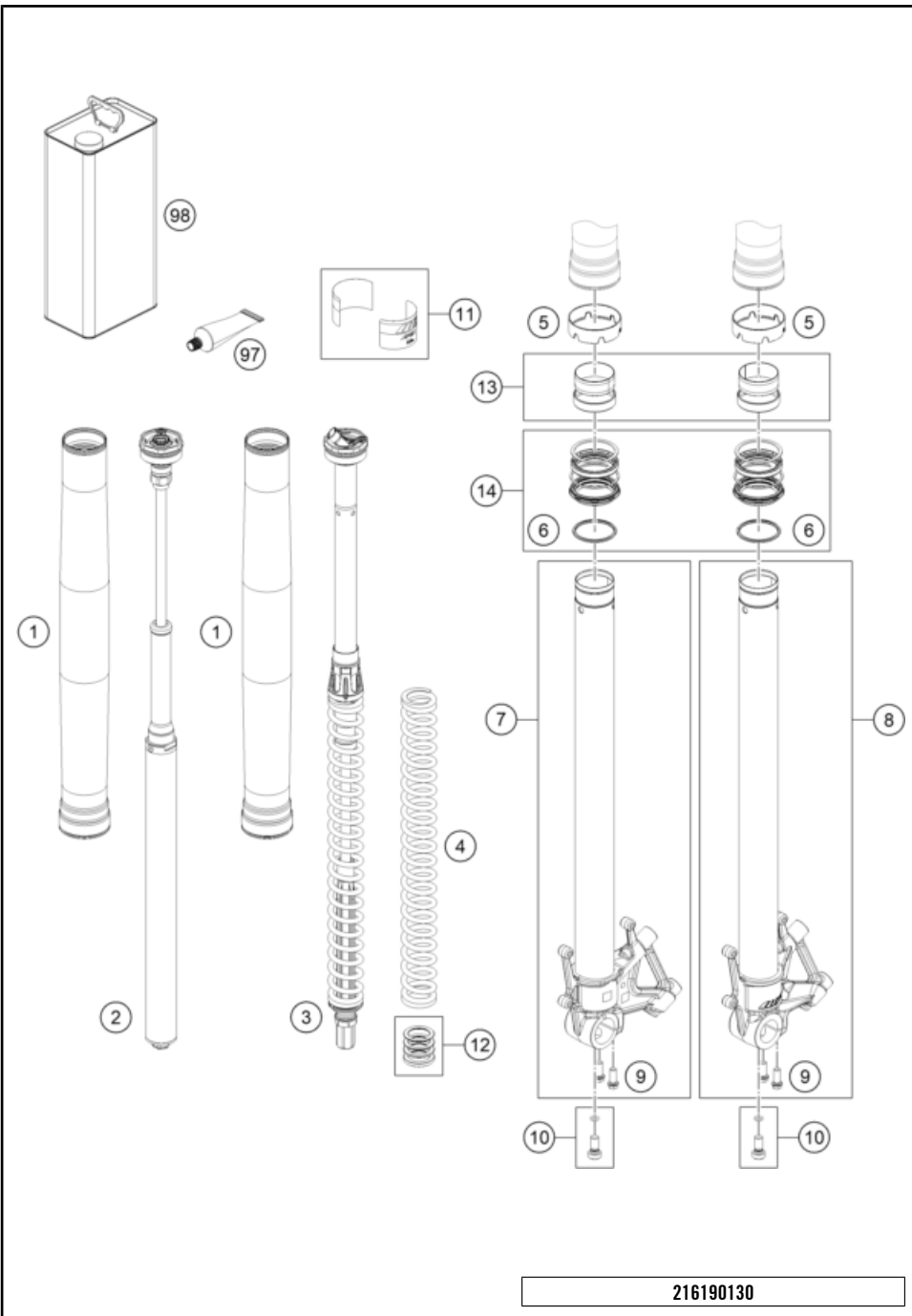
55835

* NEW PART

X ON DEMAND

FRONT FORK DISASSEMBLED

1290 SUPER ADVENTURE S, black 2022 EU 2022



POS	PARTNUMBER	PARTNAME	PIECE
1	48601099	Fork outer tube 49,13x550 dt54 db60	2
2	48SAF1U26R	cartridge cpl. valve right	1
3	48SAF1U26L	cartridge cpl. sensor left	1
4	S80990000300000	main spring (43.0) 11.0-430 fork	1
5	48601986	Fork protection ring 60,1mm	2
6	48602007	Stroke indicator 48mm red	2
7	48602066S1	Right fork leg with inner tube cpl.	1
8	48602065S1	Left fork leg with inner tube cpl.	1
9	0025080206	HH collar screw M8x20	4
10	48602117S	HS screw M10x252 cpl.	2
11	52000212SET	sticker set APEX SAT 90x40	1
12	R14054	REP. KIT SPACER	x
13	R14047T	Guide bushing set fork 48mm	x
14	RP10012T	"Seal kit 48mm SKF black"	x
97	T14034	Fuchs grease IPR (250g)	x
98	48601166S1	Fork Fluid Viscosity 4.0 5L	x

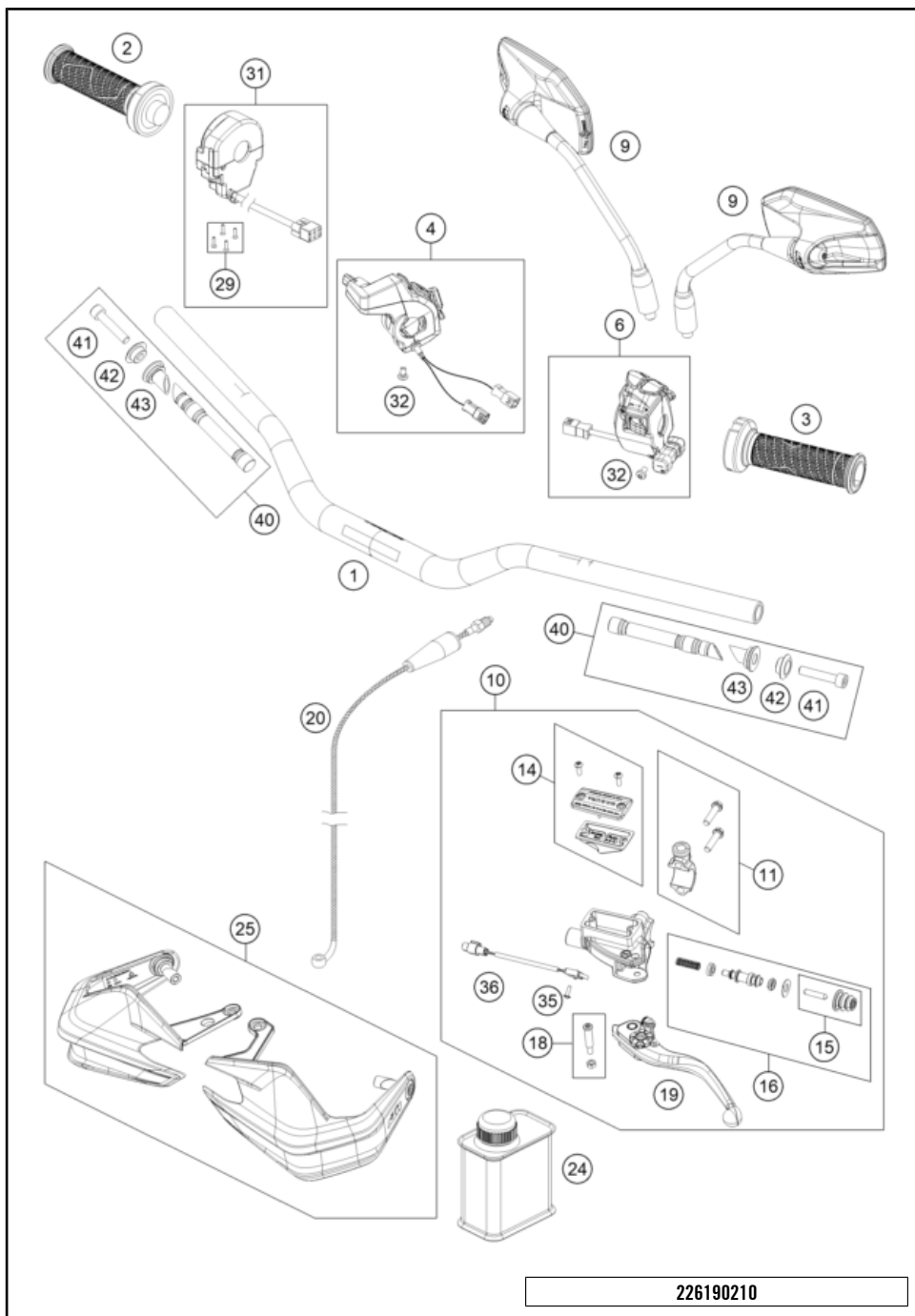
216190130

55572

* NEW PART X ON DEMAND

HANDLEBAR, CONTROLS

1290 SUPER ADVENTURE S, black 2022 EU 2022



POS	PARTNUMBER	PARTNAME	PIECE
1	61902001000C1	Handlebars	1
2	60702012000	Grip tube (no heating)	1
3	60702039100	Grip LHS w/o heater	1
4	61711074100	Start / Emergency stop switch, right	1
6	61711070100	Combination steering switch, left side	1
9	60312040200	Mirror	2
10	61902030044	clutch master cylinder	1
11	61902005000	Clamp cpl.	1
14	61902033000	clutch explosions tank	1
15	76502046000	PUSH ROD CPL. 13	1
16	60302032100	REPAIR KIT PISTONS DOT	1
18	50302038200	LEVER SCREW SHORT CPL. 09	1
19	61902031000	clutch lever kit	1
20	61932063000	Clutch pipe	1
24	00062030000	BRAKE FLUID DOT5.1 0,25L	1
25	61902079000	Handguard, left / right	1
29	76011073110	SCREW SET START-STOP SWITCH	1
31	60711012000	Ride-by-wire without throttle tube	1
32	073800501002	PAN HEAD SCREW M5X10 TX25	2
35	0985030103	FLAT HEAD SCREW DIN7985 M3x1	1
36	83111049000	CLUTCH SWITCH ATV	1
40	61902004033	Handlebar weight cpl.	2
41	0912080403	SHCS DIN 912 M8x40	2
42	62002080051	COLLAR BUSHING HANDGUARD	2
43	62002080052	CLAMP EXTERNAL	2

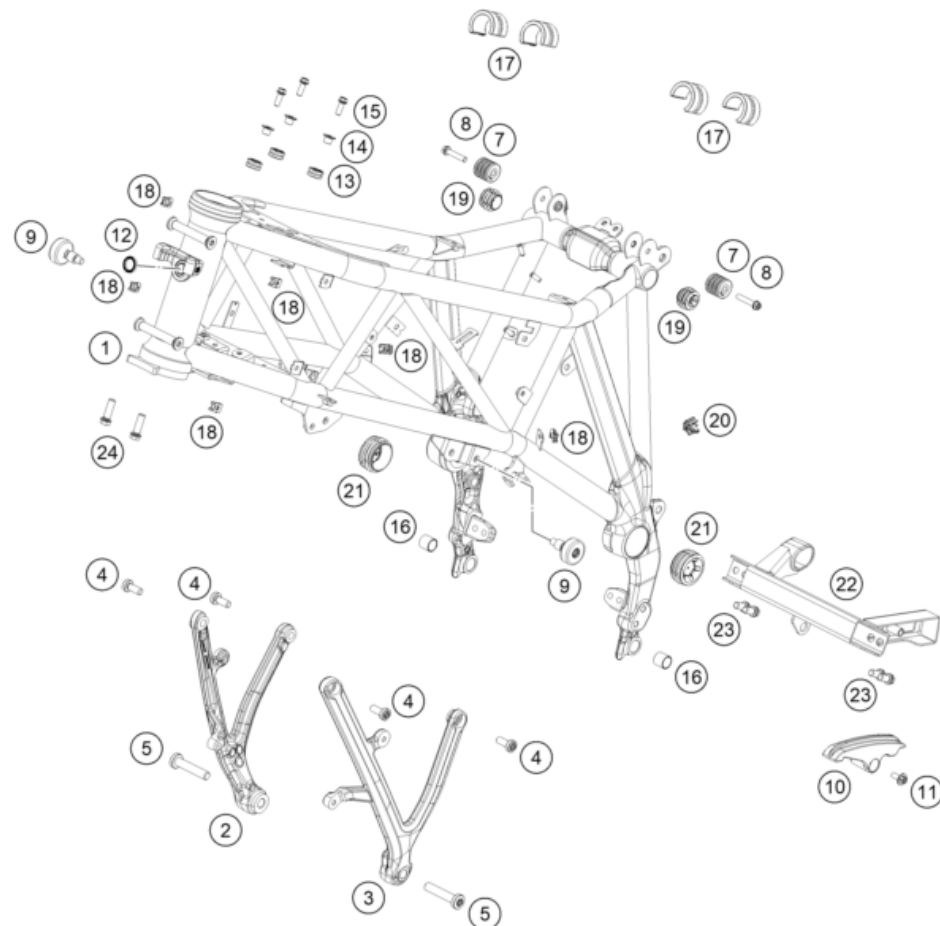
226190210

57886

* NEW PART X ON DEMAND

FRAME

1290 SUPER ADVENTURE S, black 2022 EU 2022



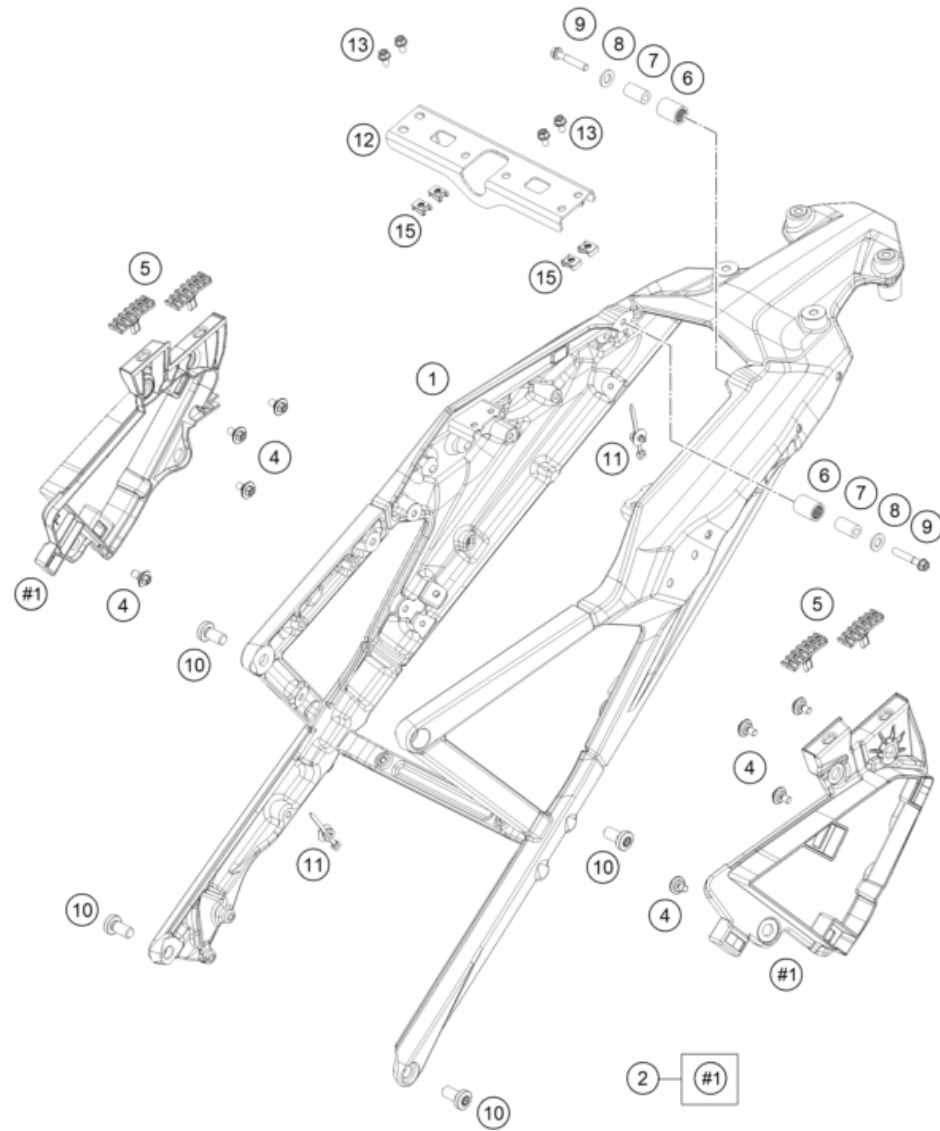
POS	PARTNUMBER	PARTNAME	PIECE
1	61903001000C1	Frame 619UA	1
2	6190300510001	Engine brace right	1
3	6190300610001	Engine brace left	1
4	0035080206S	SHCS M8x20 TX45	4
5	0035100509S	AH-COLLAR SCREW M10X50 ISA45	2
7	61907048100	Rubber seat cowl pad	2
8	0025060306S	HH collar screw M6x30 TX30	2
9	62507026100	SPECIAL SCREW M8 06	2
10	61903070000	Chain slider	1
11	0024060156	HH collar screw M6x15 TX30	1
12	61911066010	Ignition lock gasket	1
13	62142041000	DAMP. COMPONENT ABS MODUL	3
14	69014015000	collar bushing 6.1x9.2x15x8.5x1 Al	3
15	0025060166	HH collar screw M6x16 TX30	3
16	61903916050	Plain bearing	2
17	61007014000	SPACER FUEL TANK 05	4
18	69008021080	clip nut M5	6
19	61903088000	Plug D=23.5	2
20	000700000H0001	Socket connector clip	1
21	61703088000	Plug, large	2
22	61903001036C1	lower cross tube complete	1
23	0025080166S	HH collar screw M8x16 TX40 SL	4
24	0025080256S	HH COLLAR SCREW M8X25 TX40	2

216190310

55847

* NEW PART

X ON DEMAND



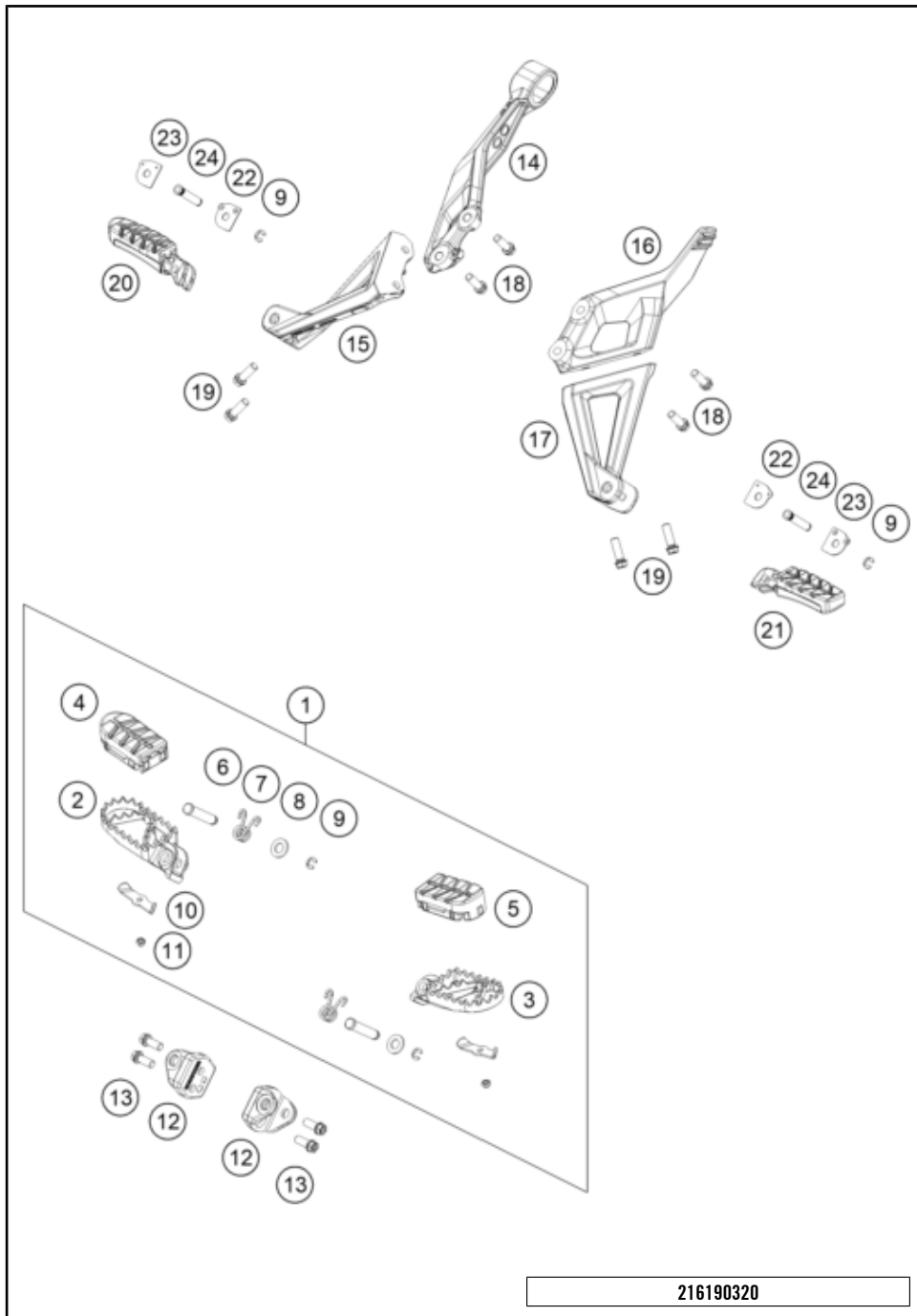
POS	PARTNUMBER	PARTNAME	PIECE
1	61903002000C1	Subframe	1
2	61907040040	Seat cowl pad cpl.	1
4	83008000012	special screw M6x12x3	8
5	61907040055	Seat cowl pad, left, elastomer	4
6	60307048000	RUBBER SEAT-CONTACT SURFACE	2
7	60307049000	BUSH 6.2X12X21.5	2
8	0021060003	WASHER DIN9021-A 6,4	2
9	0025060356	HH collar screw M6x35 TX30	2
10	0035100209	AH-COLLAR SCREW M10X20 ISA45	4
11	61711094100	Cable strap w.plug-in foot for M5	2
12	61903002066	Retaining bracket lock	1
13	0025050106	HH collar screw M5x10 TX30	4
15	54603048600	RANGE CHANGE METAL NUT M5 INOX	4

216190315

55850

* NEW PART

X ON DEMAND



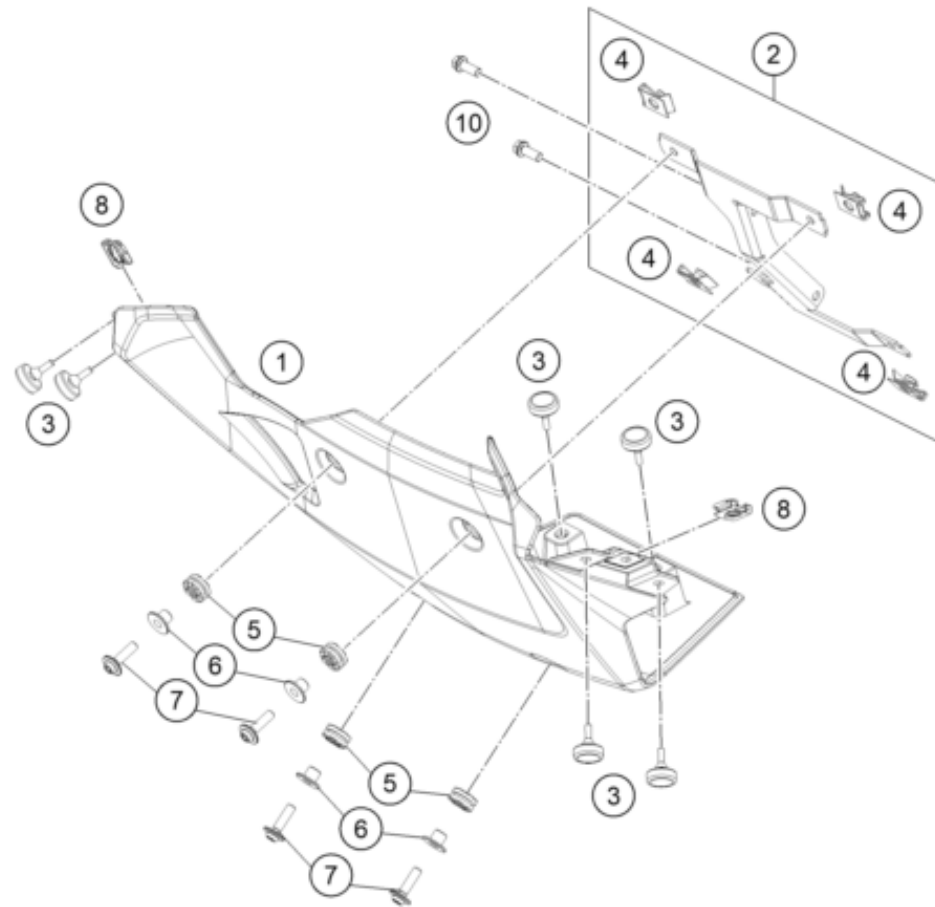
POS	PARTNUMBER	PARTNAME	PIECE
1	61903040033	Footpeg cmpl., left+right	1
2	78003041050	FOOTREST R/S 08	1
3	78003040050	FOOTREST L/S 08	1
4	61903041010	Footpeg rubber cmpl. right	1
5	61903040010	Footpeg rubber cmpl. left	1
6	61903044000	Footpeg stud	2
7	54603041000	FOOTREST SPRING L/S & R/S	2
8	0125100003	washer DIN 125 A 10.5	2
9	0799060003	retaining washer DIN 6799 - 6	4
10	60003044010	CLOSING PANEL FRONT L/S R/S 03	2
11	0985050003	SELF LOCKING NUT DIN0985-M 5	2
12	6030310109533S	FOOTREST MOUNTING	2
13	0025080206S	HH collar screw M8x20 TX40 SL	4
14	61912020090C1	Heel protector, passenger right	1
15	61903049000C1	Rear footpeg bracket, right	1
16	61912020080C1	Heel protector, passenger left	1
17	61903048000C1	Rear footpeg bracket, left	1
18	0025080256	HH collar screw M8x25	4
19	0025080256S	HH COLLAR SCREW M8X25 TX40	4
20	61903051000	Passenger footpeg, right	1
21	61903050000	Passenger footpeg, left	1
22	60003152000	ENGAGE PANEL FOOTREST L/S 03	2
23	60003052000	ENGAGE PANEL FOOTREST R/S 03	2
24	60003044100	footrest bolt, rear	2

216190320

55848

* NEW PART

X ON DEMAND



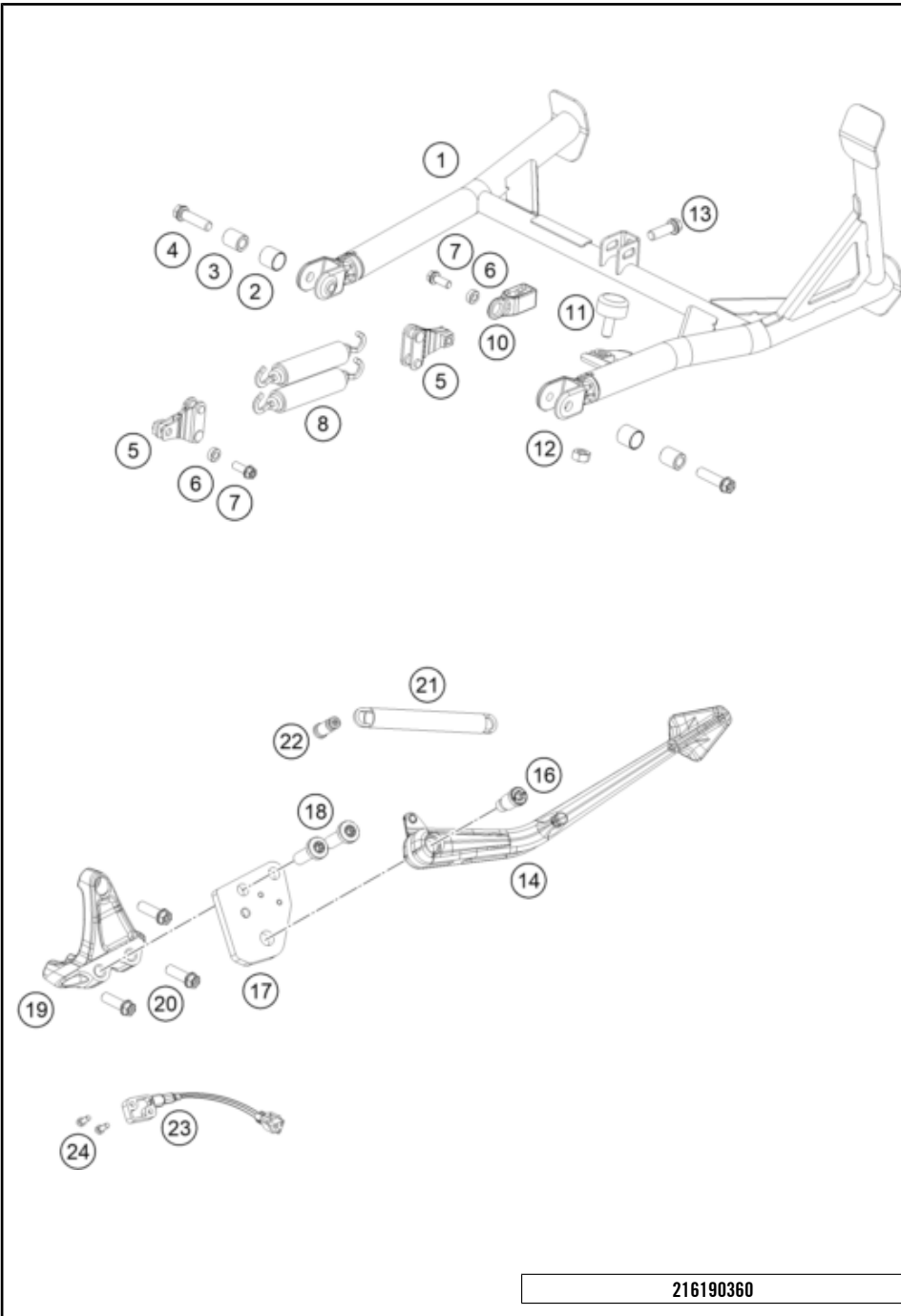
POS	PARTNUMBER	PARTNAME	PIECE
1	61903090000	Skid plate	1
2	61903190033	Skid plate bracket front, compl.	1
3	60006001021	DISTANCE RUBBER AIRBOX 03	6
4	54603048100	clip nut M6	4
5	62142041000	DAMP. COMPONENT ABS MODUL	6
6	61342041100	Collar bushing 6,5x9x18x8,5	6
7	69014117000	Collar screw M6x22-8.8 ISA30	6
8	54603048300	RANGE CHANGE METAL NUT M6 INOX	2
10	0025060166S	HH collar screw M6x16 TX30 SL	2

216190330

55839

* NEW PART

X ON DEMAND



POS	PARTNUMBER	PARTNAME	PIECE
1	61903022000C1	Centre stand	1
2	61903916050	Plain bearing	2
3	61903916020	Bushing	2
4	0025080306S	HH COLLAR SCREW M8X30 TX40	2
5	61903022026C1	Rear spring mount, compl.	2
6	61903022010	Bearing bush, internal spring mount	2
7	0025060166	HH collar screw M6x16 TX30	2
8	60303030100	SIDESTAND SPRING L=118MM	2
10	61903022024C1	Swivel joint support	1
11	58303070100	BUMP RUBBER M8X25MM	1
12	0934080003	HEXAGON NUT DIN0934-M 8	1
13	0025080256	HH collar screw M8x25	1
14	61903023133C1	Side stand with magnet	1
16	62503027200	SCREW FOR SIDE STAND M10X31,2	1
17	61903026050	Side stand bracket	1
18	0035100309S	SHCS M10x30 TX45	2
19	61903026100C1	Side stand bracket	1
20	0025080256S	HH COLLAR SCREW M8X25 TX40	3
21	60303024100	SIDE STAND SPRING	1
22	61303028001	SPEC. SCREW SIDE STAND SPRING	1
23	61011045000	SIDE STAND SENSOR 05	1
24	014580040123S	Cap head screw ISO 14580-M4x12-8.8 MK	2

216190360

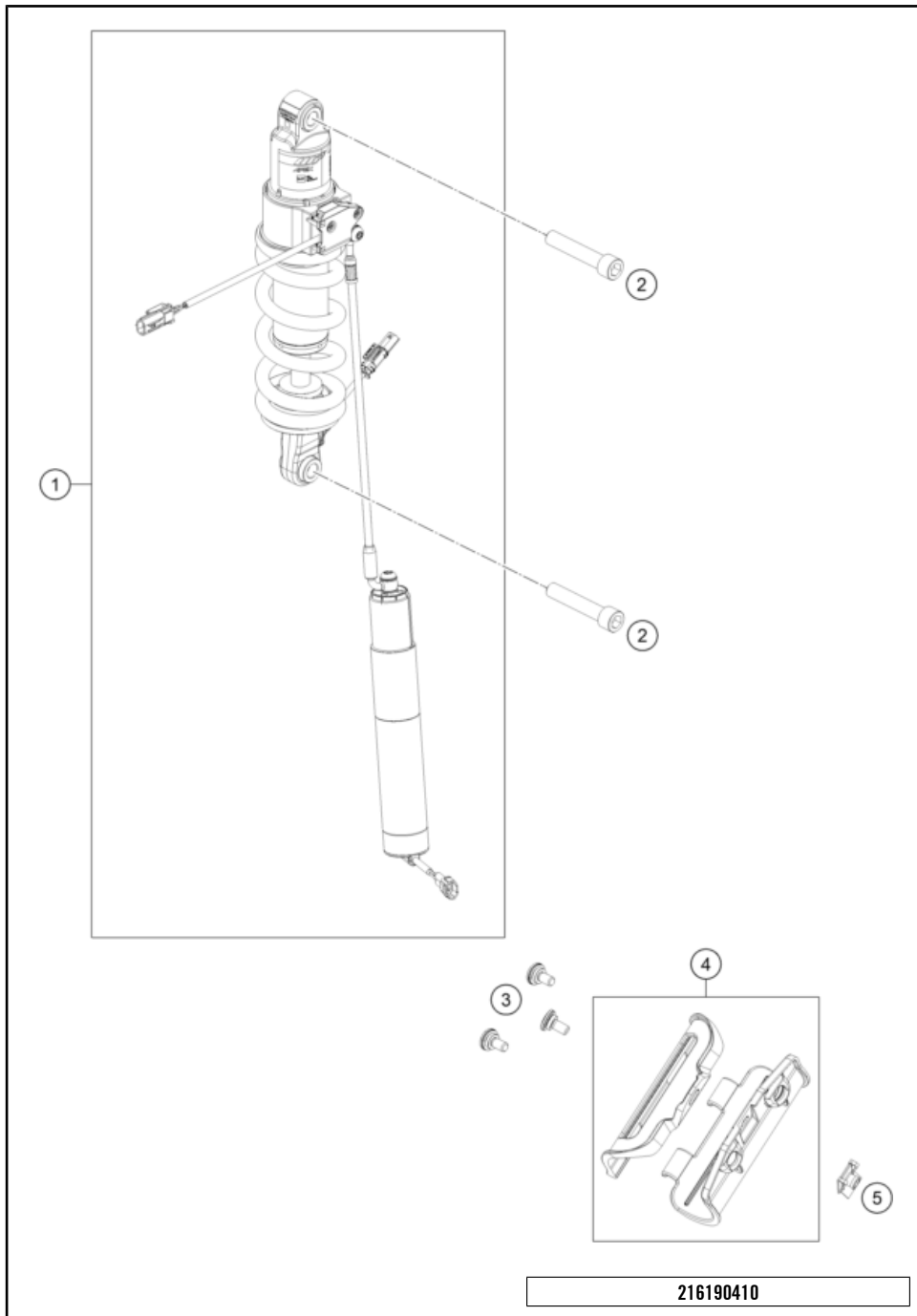
55852

* NEW PART

X ON DEMAND

SHOCK ABSORBER

1290 SUPER ADVENTURE S, black 2022 EU 2022



POS	PARTNUMBER	PARTNAME	PIECE
1	01181U2601	Shock absorber KTM 1290 Super Adv S 21	1
2	60004017000	SCREW M14X1,5 L=73MM 03	2
3	69008021040	special screw M6x14	3
4	61908027044	Bracket preload adjuster cpl.	1
5	54603048100	clip nut M6	1

216190410

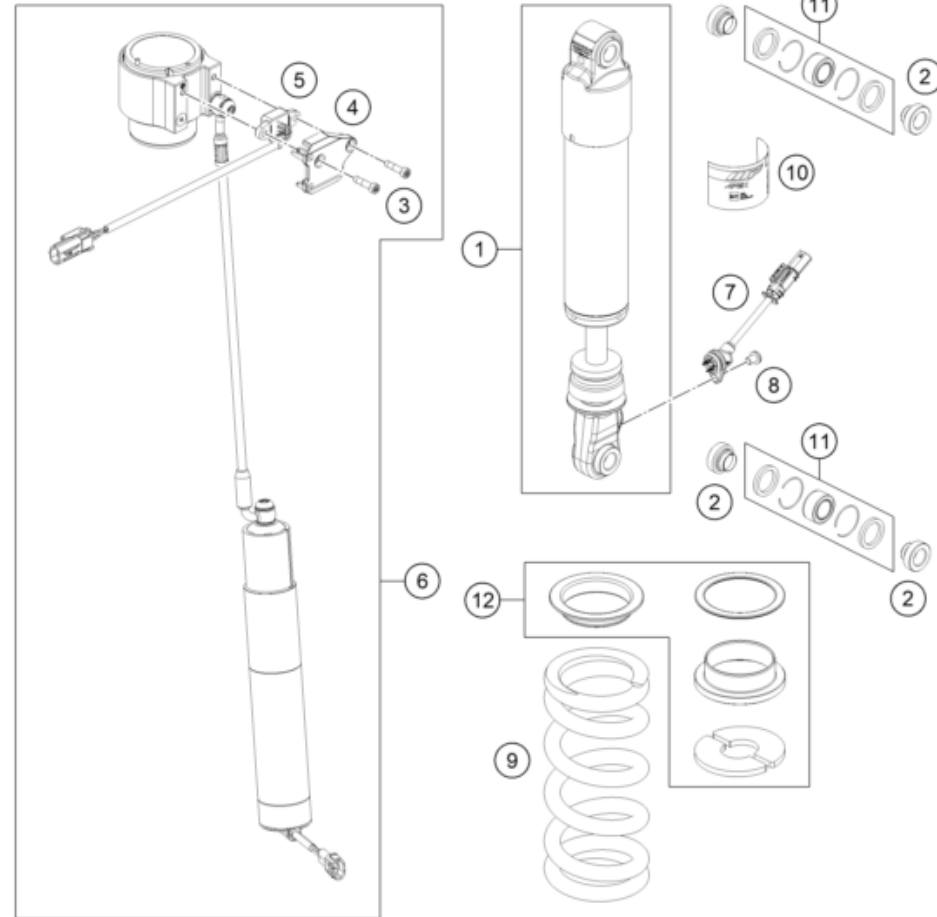
55858

* NEW PART

X ON DEMAND

SHOCK ABSORBER DISASSEMBLED

1290 SUPER ADVENTURE S, black 2022 EU 2022



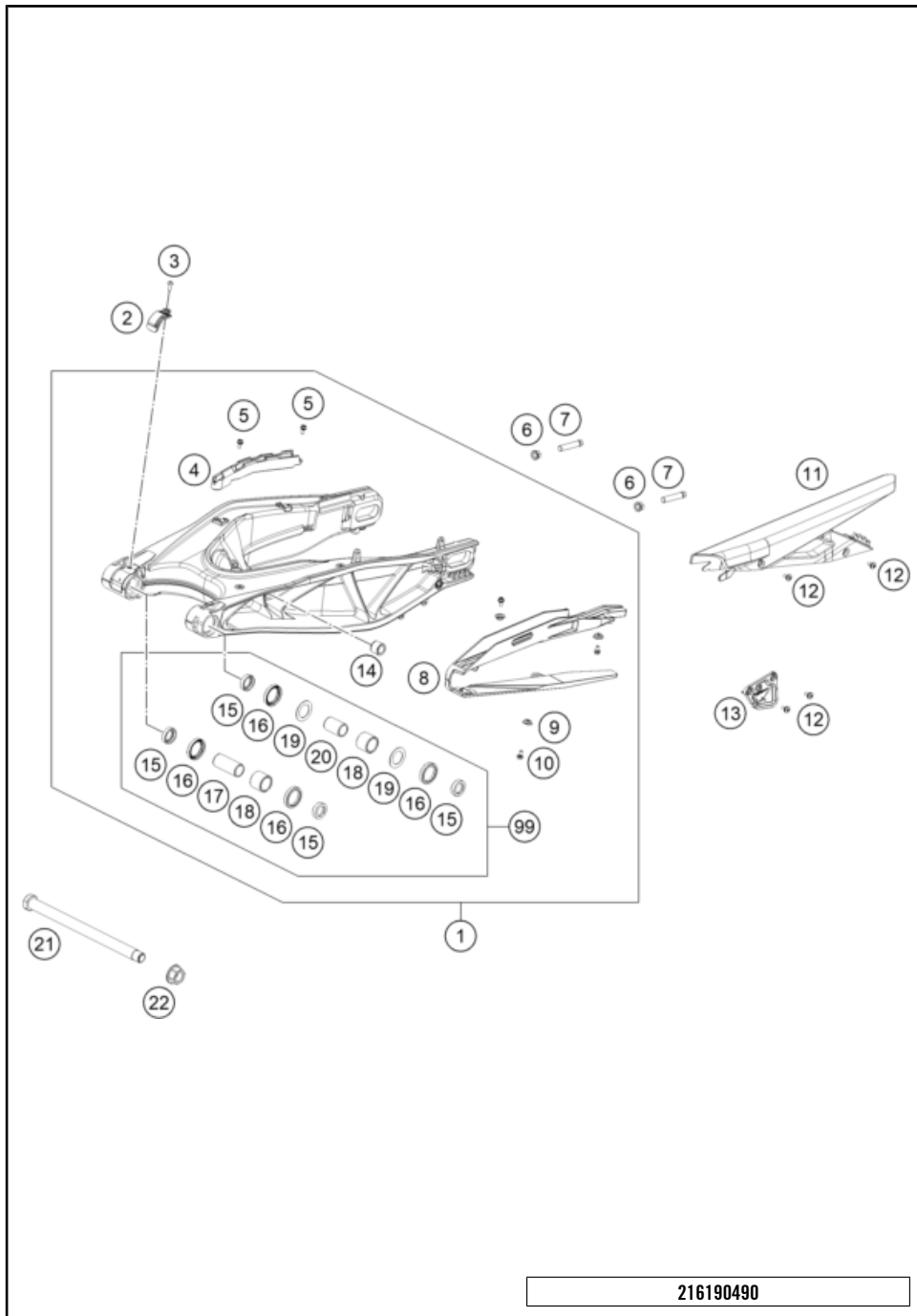
POS	PARTNUMBER	PARTNAME	PIECE
1	46140029S2	Shock KTM 1290 Adv SAFe 2021	1
2	46181138	Bearing bush 14x15,03/18,5/24,5x14,45	4
3	014580050203S	Cap hd. screw DIN14580 M5x20 Precote30	2
4	S938100000000C1	PA cover	1
5	60000288	sensor linear PA 20mm	1
6	11001T02	PA Super Adventure S 21 electrical	1
7	10000250	wire Hirschmann I750 semi activ	1
8	00700005	HS flat head screw M6x8 acc drawing	1
9	91010365	Mainspring (59)160-198,5 damper white	1
10	52000217	sticker APEX SAT 90x40	1
11	R12012T	Ball joint bearing kit top 12mm	x
12	RP10031T	Repair kit spring retainer shock absorbe	x

216190430

55579

* NEW PART

X ON DEMAND



POS	PARTNUMBER	PARTNAME	PIECE
1	61904030044C1	Swingarm Adventure 21	1
2	60416061000	MAGNET HOLDER	1
3	58605083014	SCREW M5X14 TORX 25 07	1
4	61904043000	Brake line holder	1
5	78105081010	SCREW TORX M5X10	2
6	58414030000	HH COLLAR NUT M10X1,25 WS=13	2
7	50304040100	screw M10x1.25x50 WS10	2
8	61904066100	Chain slider	1
9	46104066050	BUSH FOR CHAINSLIDER GUARD 02	3
10	0018050103	INT. TORX OVAL HEAD M 5X10 8.8	3
11	61904061000	Chainguard	1
12	69008021160	special screw M5x12	4
13	61904070000	Chain guide	1
14	60004030151	BUSHING MONOSHOCK SOCKET 05	1
15	60004034000	BUCKET F. SHAFT SEAL RING 03	4
16	0760304073	SHAFT SEAL RING 30X40X7	4
17	69004032000	INNER RING JR 20X25X56,5	1
18	60004031000	NEEDLE BUSH HK2526B 03	2
19	60004033000	STOP DISK 03	2
20	60004032000	INNER RING JR20X25X38,5 03	1
21	69004037344	Swingarm pivot	1
22	60004038200	COLLAR NUT M19X1,5 SW=27MM	1
99	69004230010	swingarm rep. kit	x

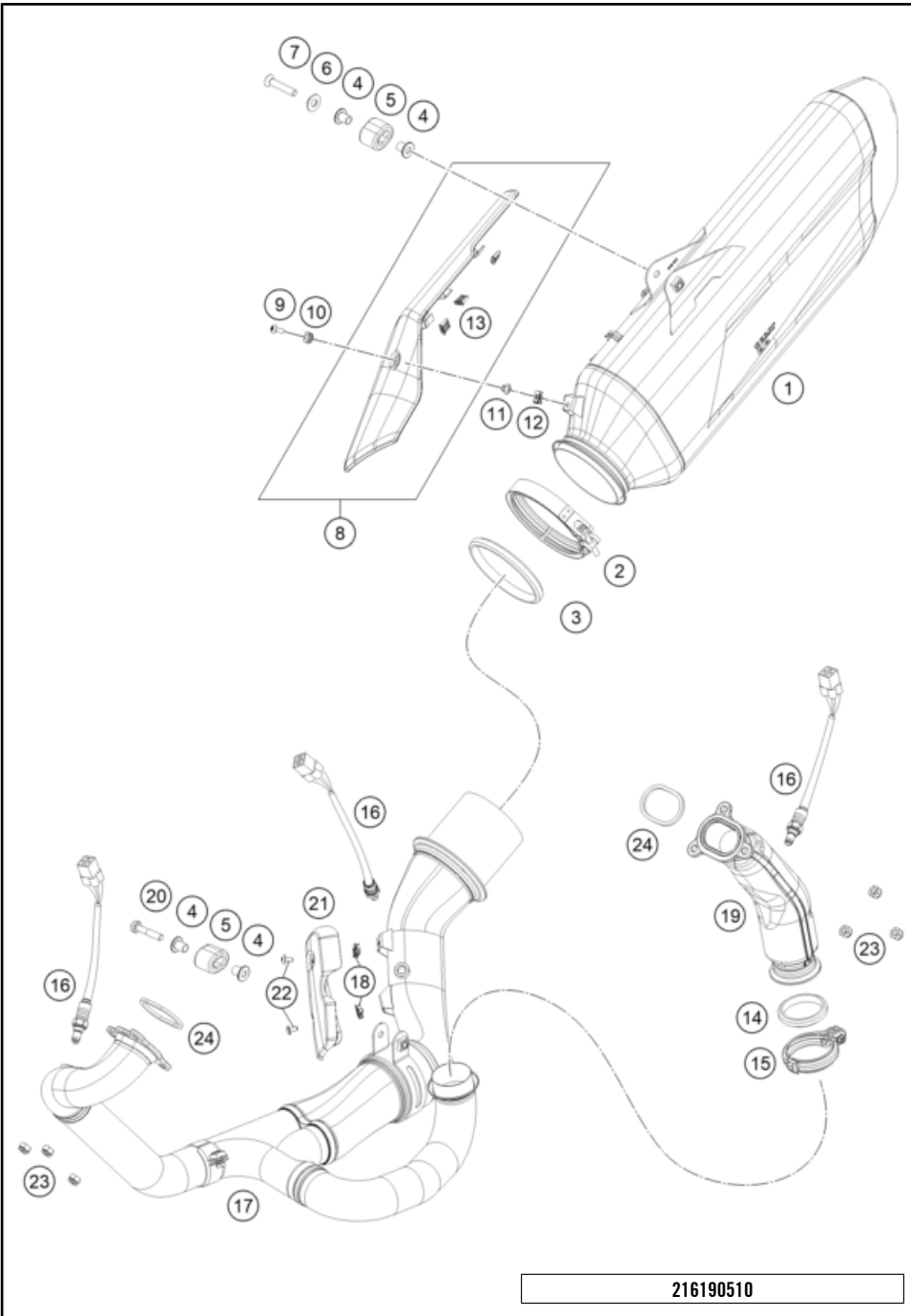
216190490

55857

* NEW PART X ON DEMAND

EXHAUST SYSTEM

1290 SUPER ADVENTURE S, black 2022 EU 2022



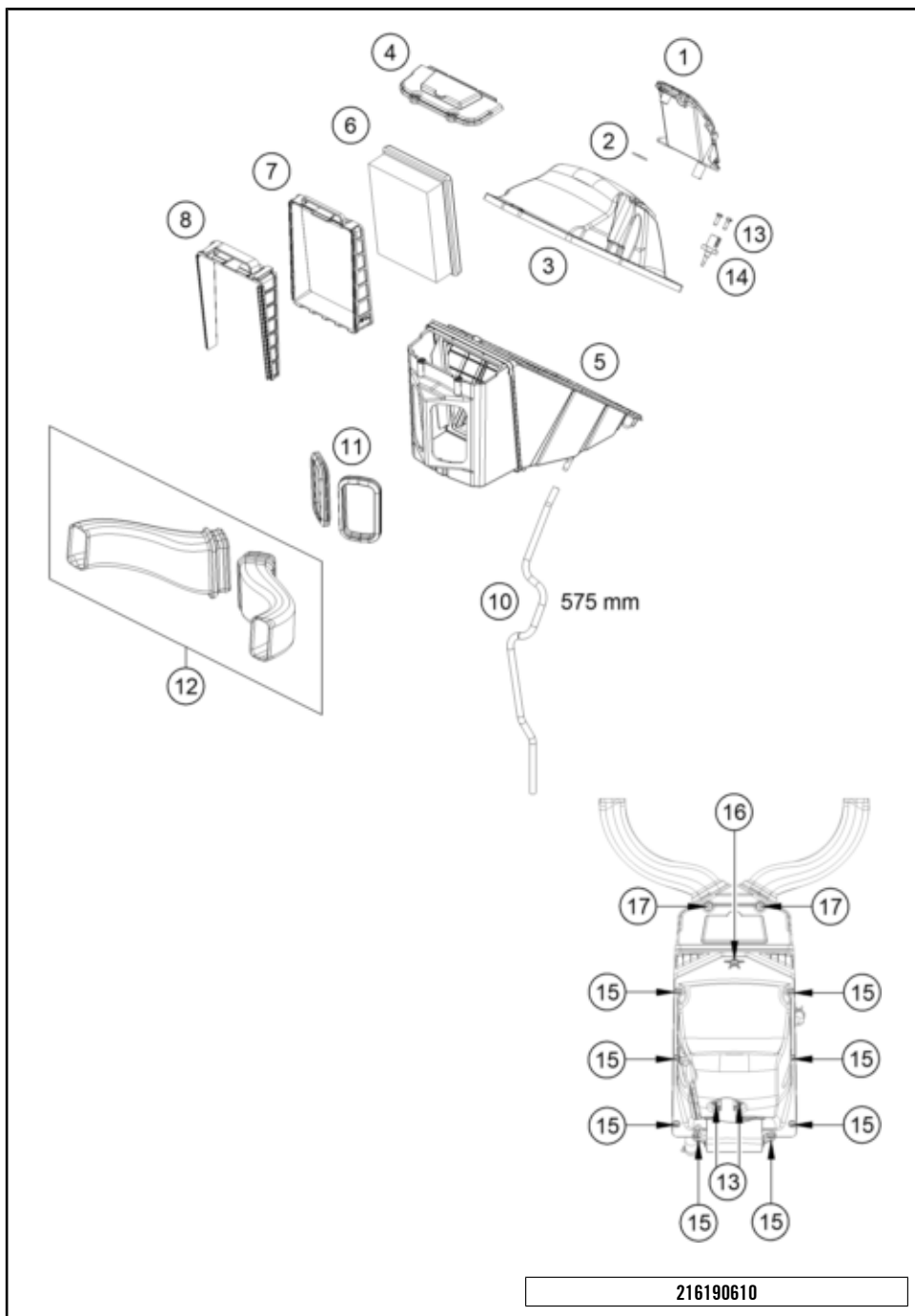
216190510

POS	PARTNUMBER	PARTNAME	PIECE
1	61905083000	Silencer	1
2	61905058000	V-clamp D=116,1	1
3	61905005005	Manifold gasket	1
4	60305069100	Bushing	4
5	61305068000	DAMPING RUBBER	2
6	60405069000	conical seat Alu	1
7	0019080456	countersunk screw M8x45 TX45	1
8	61905011033	Heat protection preass.	1
9	58605083014	SCREW M5X14 TORX 25 07	1
10	60305083081	SILICON SLEEVE	1
11	60305083082	SPACER BUSHING	1
12	69008021080	clip nut M5	1
13	27005011011	DAMPING ELEMENT SILICON	3
14	69005105005	Manifold gasket	1
15	63605058100	Exhaust clamp tube 50 mm	1
16	75041090200	LAMBDA SENSOR	3
17	61905007100	Manifold front	1
18	54603048600	RANGE CHANGE METAL NUT M5 INOX	2
19	60405008200	Header with integral insulation	1
20	0025080456	HH collar screw M8x45 TX40	1
21	61905030000	Heat guard	1
22	78105081010	SCREW TORX M5X10	2
23	51010086100	self-locking nut M8 Cu	6
24	69005005100	EXHAUST PIPE FLANGE GASKET	2

57961

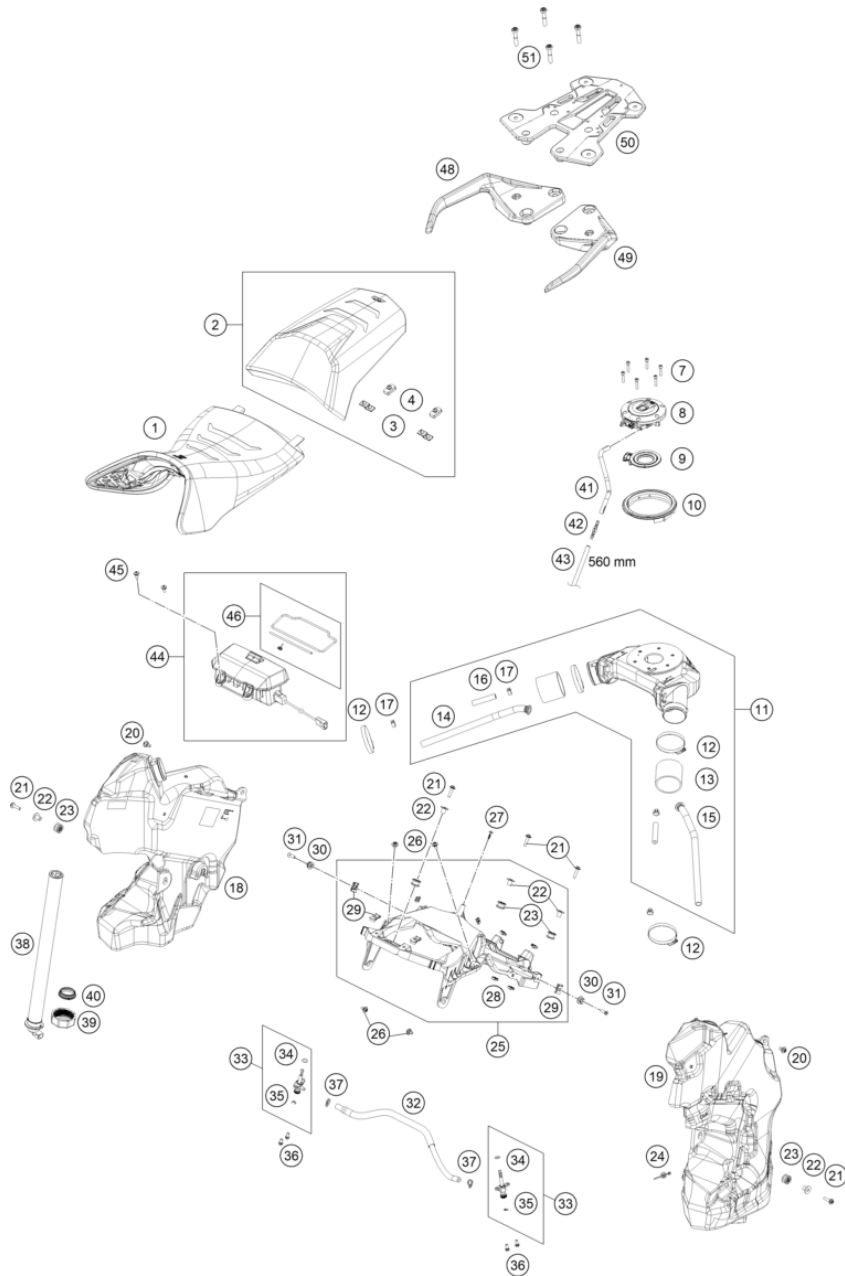
* NEW PART

X ON DEMAND



POS	PARTNUMBER	PARTNAME	PIECE
1	61930088000	Oil separator	1
2	0770210020	O-RING 21X2	1
3	61906002000	Air filter box cover top	1
4	61906001003	Air filter box cover	1
5	61906001000	Air filter box	1
6	60706015000	Air filter	1
7	61906001004	Filter clamp, frame	1
8	61906001005	Filter clamp, wedge	1
10	78015019000	HOSE EPA D=6/10 L=2000MM	1
11	61906040050	Intake port gasket	2
12	61906040044	Intake port le + ri	1
13	0081050161	EJOT PT SCREW K50X16 1451	4
14	61041080000	AMBIENT-AIR TEMPERATURE SENSOR	1
15	0000810603000	EJOT Delta PT screw 60x30	8
16	0000810602000	EJOT Delta PT screw 60x20	1
17	69008021160	special screw M5x12	2

55997 * NEW PART X ON DEMAND



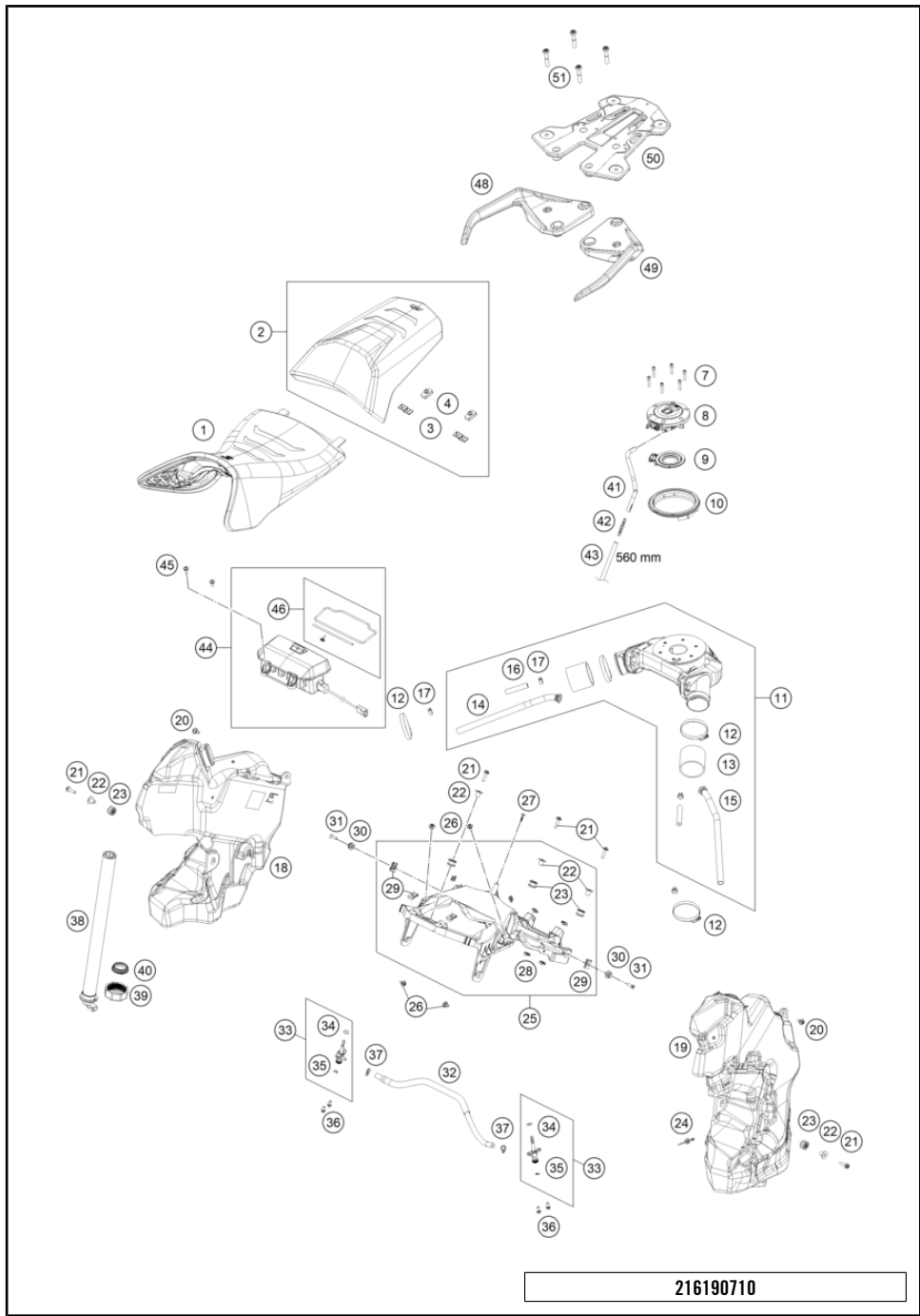
216190710

POS	PARTNUMBER	PARTNAME	PIECE
1	61907040300	Rider's seat compl.	1
2	61907047000	Passenger seat S	1
3	77307040041	Isolation pad	4
4	28503002010	rubber support	2
7	0912050253	AH SCREW DIN0912-M 5X25	6
8	61907008000	Fuel cap Race-on	1
9	61907008010	Gasket for fuel tank cap	1
10	61907009000	Fuel tank cap ring	1
11	61907013066	Fuel tank carrier w. manifold cpl.	1
12	51006027000	HOSE CLAMP 50-70MM	4
13	06000060056	Fuel hose, 60x67 L=56 mm	2
14	61907013071	Inner vent hose right	1
15	61907013070	Inner vent hose	1
16	60007416067	Fuel hose 6.4x3.2 L=67	2
17	00050140706	VARIABLE ONE-EAR CLAMP 14,0MM	4
18	61907013025	Fuel tank right compl.	1
19	61907013015	Fuel tank left compl.	1
20	83008100015	SPECIAL SCREW M6X15X5,5	2
21	0024060256	HH COLLAR SCREW M6X25 TX30	5
22	69007028000	COLLAR BUSH. 6,2X10X21X14MM 08	5
23	69007027000	rubber grommet, tank mounting	5
24	61711094100	Cable strap w.plug-in foot for M5	1
25	61907013055	Fuel tank carrier cpl.	1
26	83008000012	special screw M6x12x3	4
27	0081050181	SCREW FOR PLASTIC K50X18 T20	1
28	54603048600	RANGE CHANGE METAL NUT M5 INOX	6
29	54603048100	clip nut M6	4
30	63507040070	Seat bushing	2
31	014581060201	Count.snk screw M6x20 TX30	2
32	61907117033	Tank compensation line compl.	1
33	58507003200	FUEL COCK CPL.	2
34	55007006200	O-RING 11X1,8 NBR 70	2
35	07990500000	TAB WASHER DIN6799 RS5	2
36	0025060126	HH collar screw M6x12 TX30	4
37	58031005000	CLAMP YDNAC 10128 12MM	2
38	61907080000	Fuel level sensor	1
39	61907080020	Sleeve nut, fuel level sensor	1
40	61907080010	Gasket, fuel level sensor	1

57910

* NEW PART

X ON DEMAND



216190710

POS	PARTNUMBER	PARTNAME	PIECE
41	61907020000	Pre-formed hose for tank overflow	1
42	69015019010	HOSE CONNECTION STRAIGHT	1
43	78015019000	HOSE EPA D=6/10 L=2000MM	1
44	61912078033KC	Storage compartment cpl.	1
45	69008021040	special screw M6x14	2
46	61912078044	Repair kit storage compartment	1
48	61912009000	Grip handle right	1
49	61912008000	Grip handle left	1
50	61912010050C1	Baggage carrier plate	1
51	0035080406	AH-COLLAR SCREW M8X40 ISA45	4

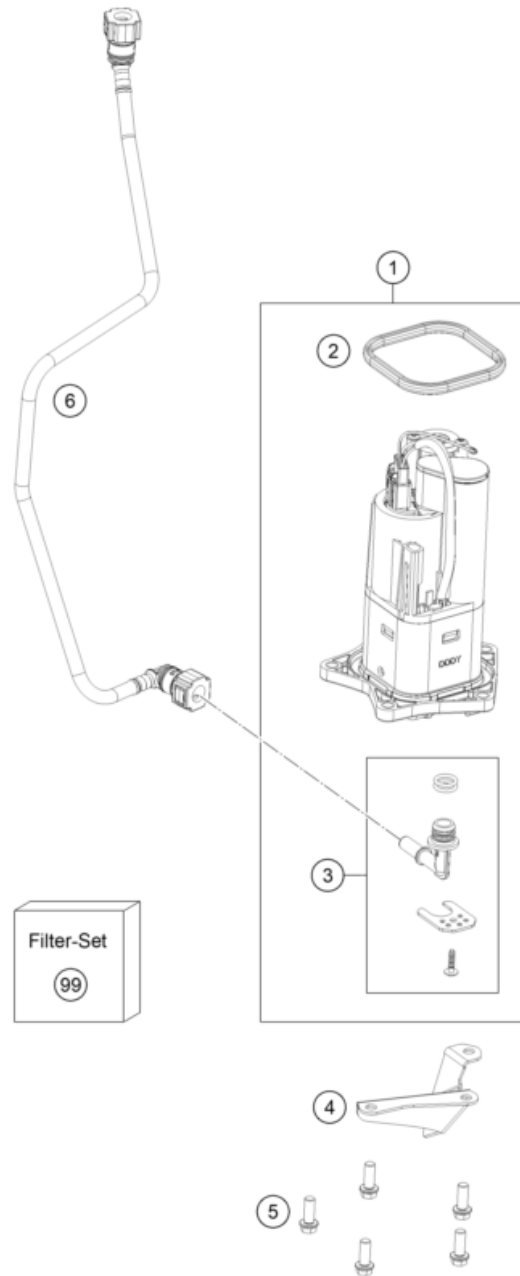
57910

* NEW PART

X ON DEMAND

FUEL PUMP

1290 SUPER ADVENTURE S, black 2022 EU 2022



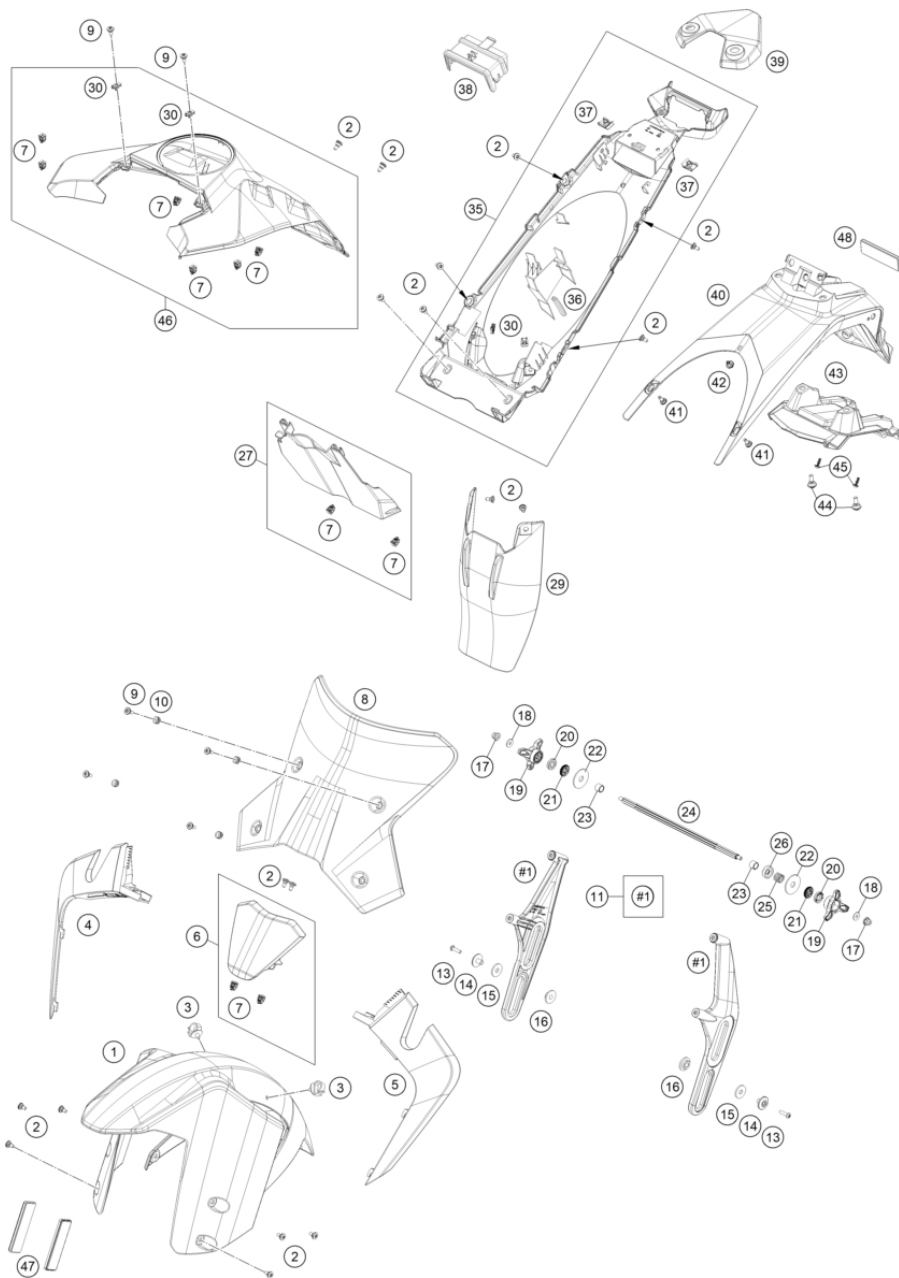
POS	PARTNUMBER	PARTNAME	PIECE
1	64107088000	Fuel pump cpl.	1
2	64107189000	Sealing	1
3	64107092000	Hydraulic connection	1
4	61907087010	Cover fuel pump	1
5	0025060166	HH collar screw M6x16 TX30	5
6	61907016000	Fuel hose, pump cmpl.	1
99	64107090000	Filter kit	x

216190730

55872

* NEW PART

X ON DEMAND



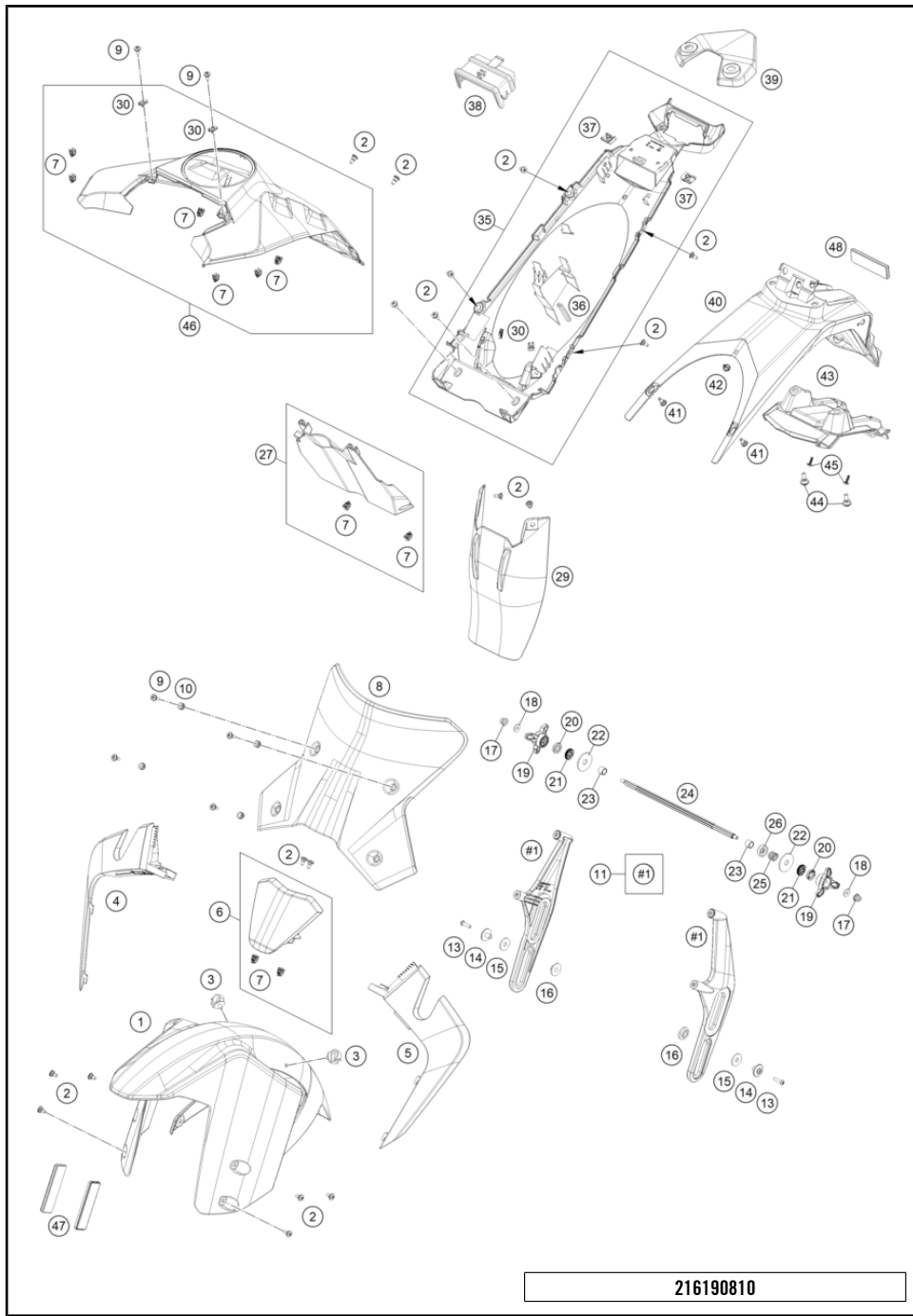
216190810

POS	PARTNUMBER	PARTNAME	PIECE
1	60308110100C1	Front fender	1
2	69008021160	special screw M5x12	18
3	58111076000	CABLE SUPPORT KHS NR.150-47610	2
4	61908002000	Headlight mask right	1
5	61908001000	Headlight mask left	1
6	61908001055	Headlight mask center cpl.	1
7	61908040030	Bracket for side fairing	10
8	61908008000	Windshield	1
9	60708008071	Special screw M5x14	6
10	60708008070	rubber bush windshield fixation	4
11	61908008052	Holder Windshield	1
13	0738050202	Lens head screw ISO 7380-M5X20A2	2
14	60708008055	Collared bush	2
15	60708008062	Washer D=24/T=2.5	2
16	60708008052	Bearing sleeve	2
17	0926060000	STOP NUT M6 DIN6926 A2-70	2
18	0021060003	WASHER DIN9021-A 6,4	2
19	60708008053B2	Adjusting wheel	2
20	60708008057	Windshield support rubber	2
21	60408008155	GEAR 16TH ADJUSTMENT	2
22	60708008063	Washer D=36/T=2	2
23	60708008064	Plain bearing	2
24	60708008154	Shaft windshield adjustment	1
25	60708008067	Spring windshield	1
26	61908008065	Toothed washer, outer	1
27	61908019015	Rear trim panel front cpl.	1
29	60304050000	SPLASH PROTECTION	1
30	69008021080	clip nut M5	4
35	61908019033	Lower rear panel cpl.	1
36	76003095048	Edge protection 9.5x6.5x48	1
37	54603048100	clip nut M6	2
38	61908019020	Lower rear panel	1
39	61908013033	Rear cover, preassembled	1
40	61908015100	License plate holder	1
41	69008021060	special screw M5x17	2
42	76503075000	SPREAD RIVET CPL. 6,2MM	1
43	61908016000	Licence plate holder support lower featu	1
44	83008100020	SCREW M6X20X5,5	2

55894

* NEW PART

X ON DEMAND



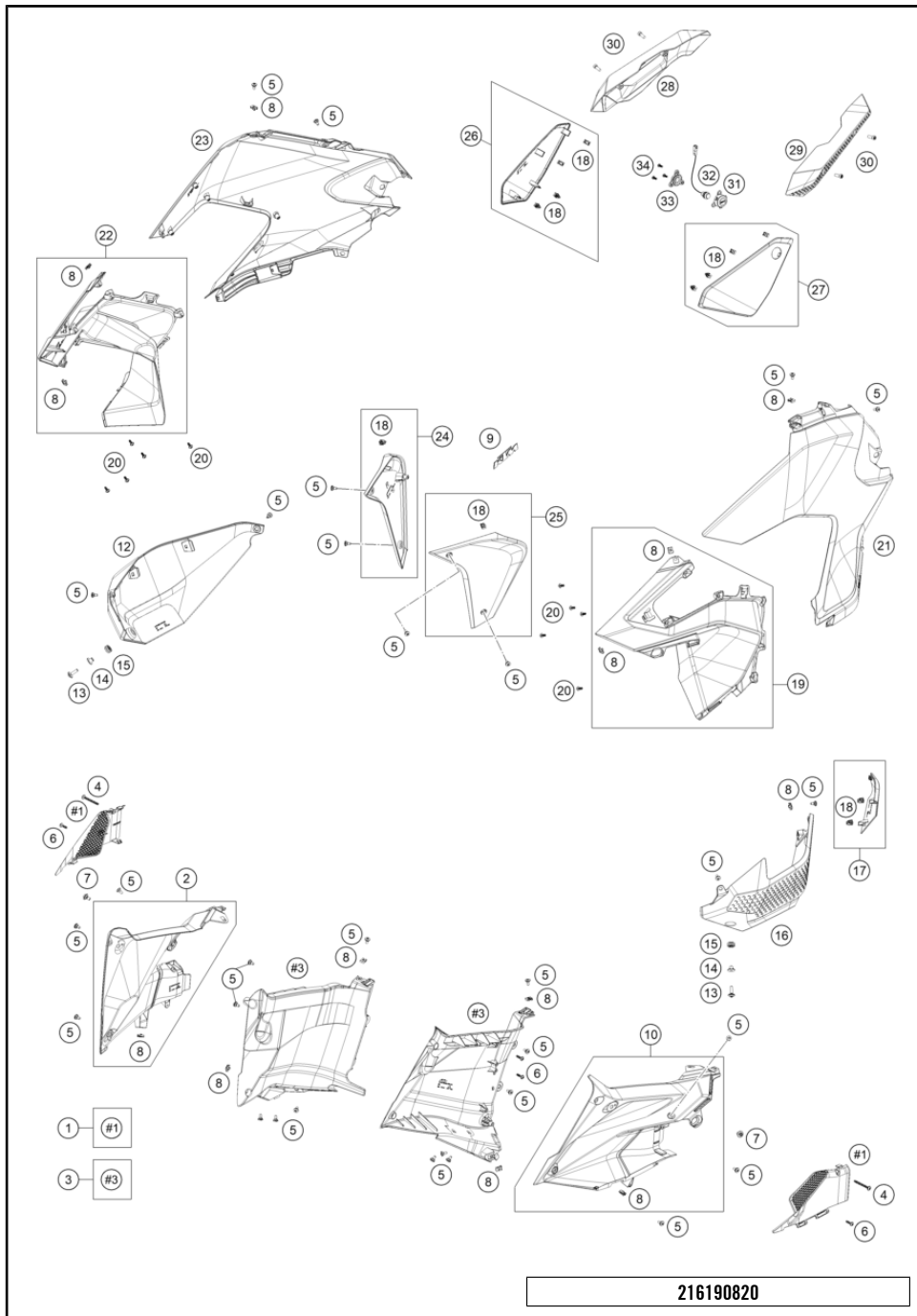
216190810

POS	PARTNUMBER	PARTNAME	PIECE
45	0081050141	EJOT PT screw K50x14	2
46	61908030033KC	Fuel tank fairing compl.	1
47	60012080100	SIDE REFLECTOR YELLOW "CEV"	2
48	61912080000	Reflector, red self-adhesive	1

55894

* NEW PART

X ON DEMAND



POS	PARTNUMBER	PARTNAME	PIECE
1	61908002061	Air intake cover cpl.	1
2	61908104033	Mask spoiler right cpl.	1
3	61908025044	Inner cover cpl.	1
4	0000170505000	EJOT PT screw K50x50 T25	2
5	69008021160	special screw M5x12	29
6	0081050181	SCREW FOR PLASTIC K50X18 T20	4
7	83008000012	special screw M6x12x3	2
8	69008021080	clip nut M5	13
9	61608098000	Decal 3D "KTM" 17	1
10	61908103033	Mask spoiler left cpl.	1
12	61907025022	Tank protection right	1
13	69014117000	Collar screw M6x22-8.8 ISA30	2
14	61342041100	Collar bushing 6,5x9x18x8,5	2
15	62142041000	DAMP. COMPONENT ABS MODUL	2
16	61907025012	Tank protection left	1
17	61907025025	Oil plug cover	1
18	61908040030	Bracket for side fairing	12
19	61908050011C1	Fuel tank spoiler top part left cpl.	1
20	0081050121	EJOT PT screw K50x12	10
21	61908050044KCA	Fuel tank spoiler bottom parts L Cpl. with decal	1
22	61908051011C1	Fuel tank spoiler top part right cpl.	1
23	61908051044KCA	Fuel tank spoiler bottom part R Cpl. with decal	1
24	61908061133C1	Radiator protection right cpl.	1
25	61908060033C1	Radiator spoiler left cpl.	1
26	61908044033	Side fairing rear part right preass.	1
27	61908043044	Side fairing rear part left preass.	1
28	61908045044	Rear cover right, cmpl.	1
29	61908044044	Rear cover left, cmpl.	1
30	014580060126	SHCS ISO 14580 M6x12	4
31	61908043050	Switch support, seat	1
32	61911069000	Release switch, seat lock	1
33	61908043055	Switch holder tip switch	1
34	0081040121	EJOT Delta PT K40x12	3

* NEW PART X ON DEMAND

DECAL

1290 SUPER ADVENTURE S, black 2022 EU 2022

POS	PARTNUMBER	PARTNAME	PIECE
1	61903099000	Decal set subframe ADV_S 21	1



216190830

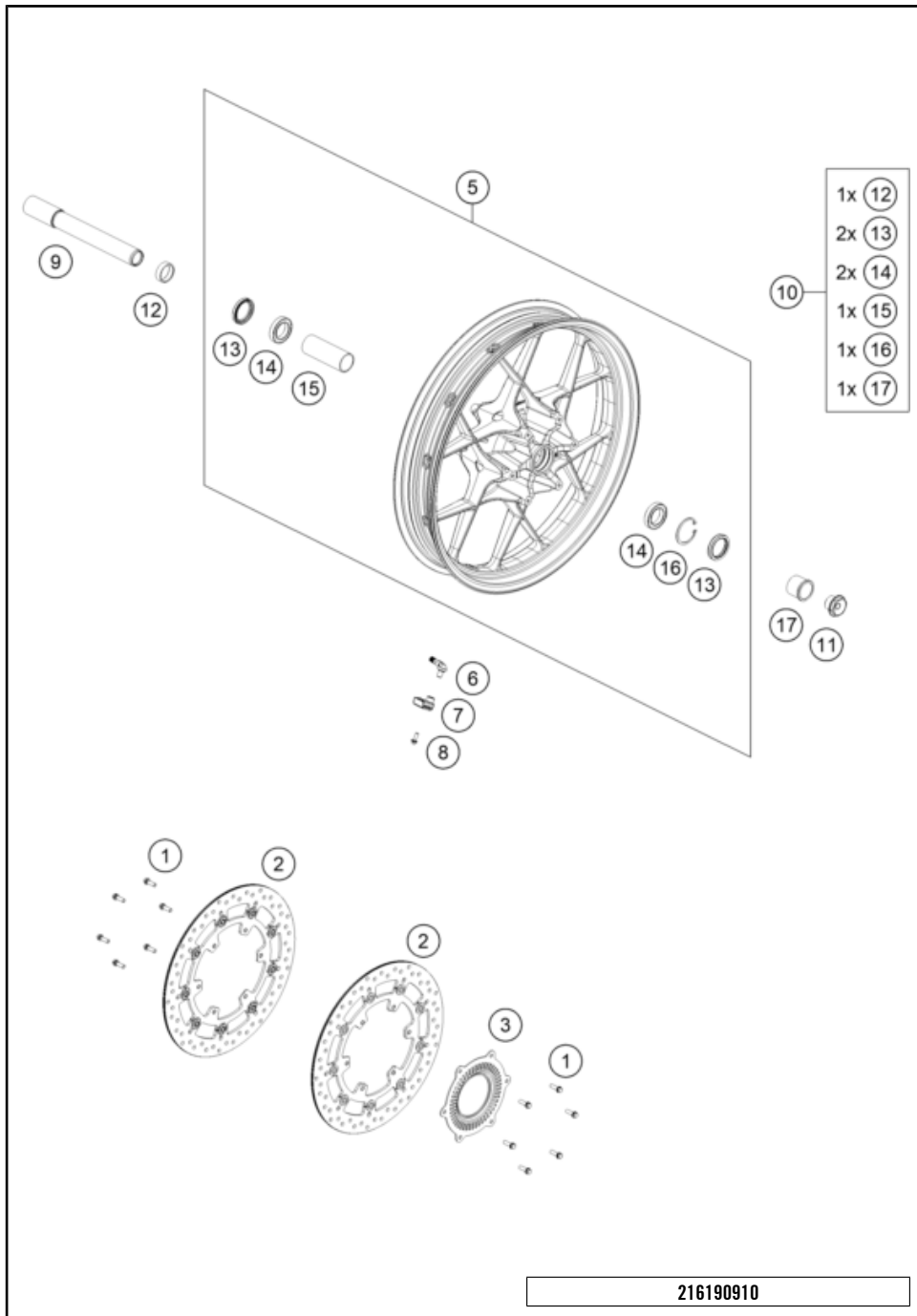
56012

* NEW PART

X ON DEMAND

FRONT WHEEL

1290 SUPER ADVENTURE S, black 2022 EU 2022

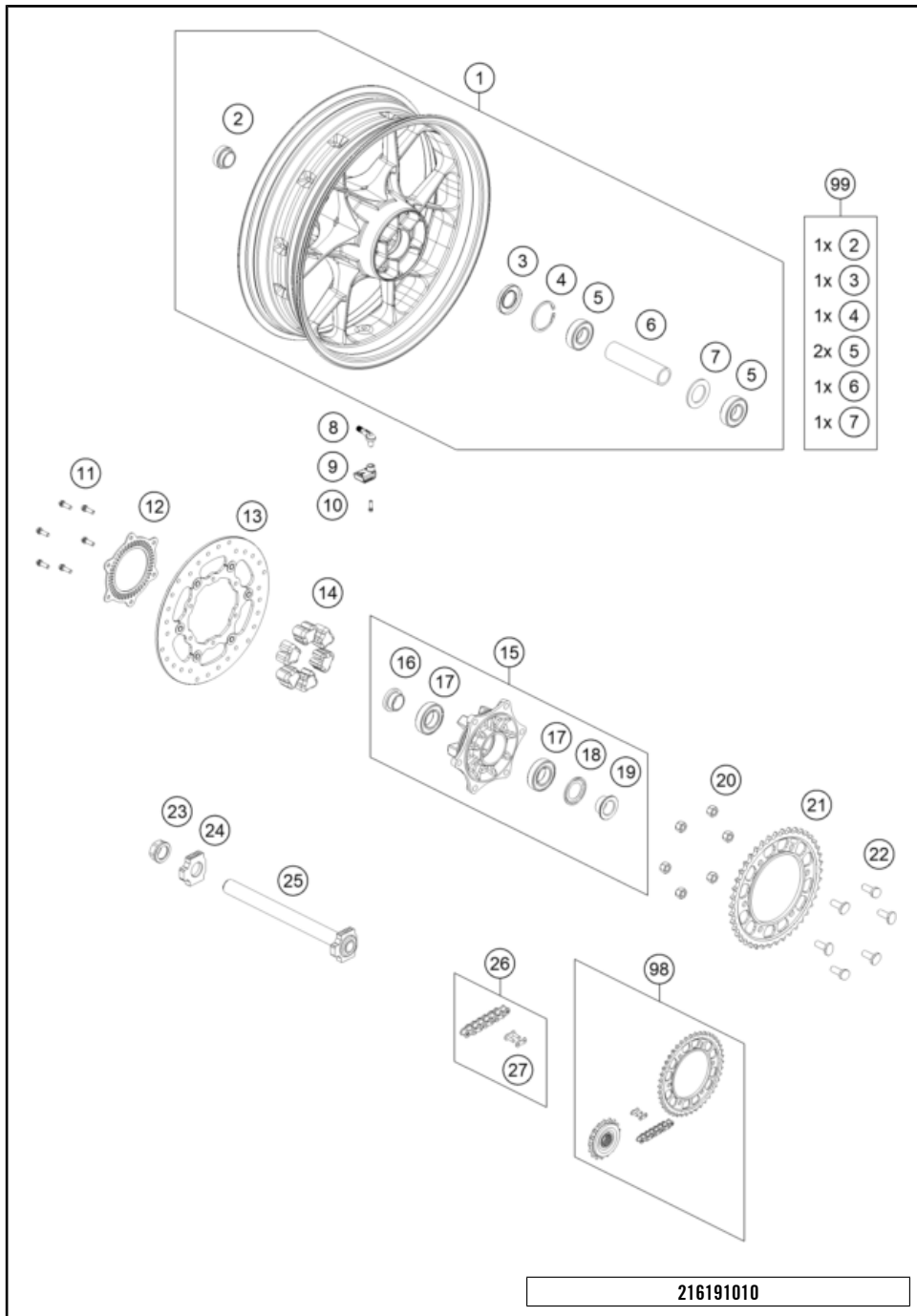


POS	PARTNUMBER	PARTNAME	PIECE
1	59009062019	SPECIAL SCREW M6X19 WS=8 10.9	12
2	6030906000030	BRAKE DISC FRONT D=320X4,5	2
3	60342020000	SENSOR GEAR ABS	1
5	6060900114430	Front wheel 3.0X19" complete	1
6	61912033060	Angle valve 8.3 mm for TPMS	1
7	61912033000	Tire pressure sensor	1
8	0900000501500S	Screw M5x15 for TPMS	1
9	60309081100	Wheel spindle, front	1
10	60609015000	FRONT WHEEL REP. KIT ADV. 1050	1
11	6900103600001	STEERING HEAD SCREW 09	1
12	60009013000	SPACER BUSH. FR. WHEEL R/S 03	1
13	0760354771	SHAFT SEAL RING 35X47X7 TC	2
14	0625069068	GR.BALL BEAR.6906 DDU2CG23S6NM	2
15	60309011000	BUSHING SPACER TUBE FRONT	1
16	0472047175	CIRCLIP DIN0472-47X1,75	1
17	60309012100	SPACER BUSH. FRONT WHEEL L/S	1

216190910 55908 * NEW PART X ON DEMAND

REAR WHEEL

1290 SUPER ADVENTURE S, black 2022 EU 2022

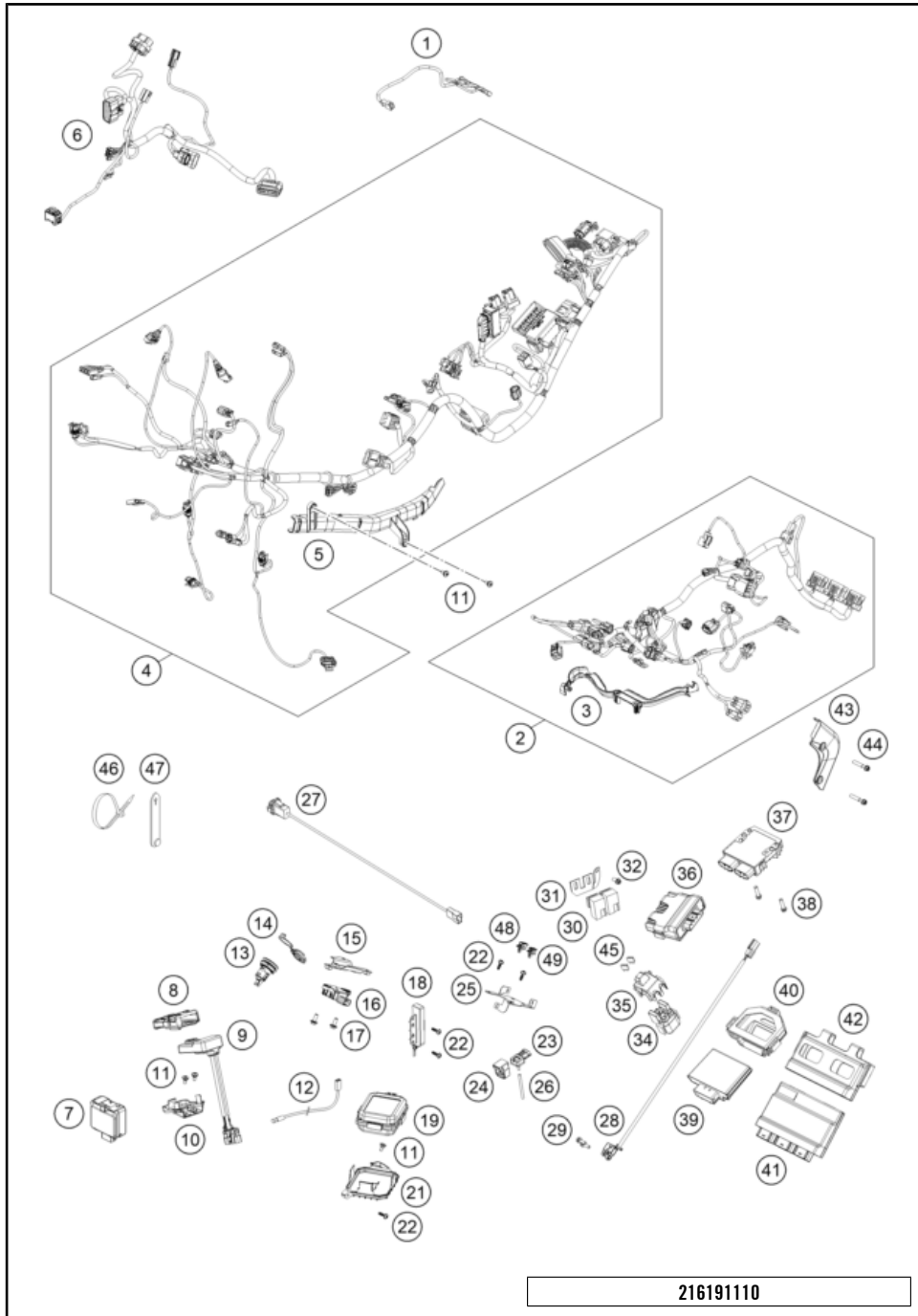


POS	PARTNUMBER	PARTNAME	PIECE
1	6071010104430	Rear wheel 5.0''X17'' KPL.	1
2	60310013100	SPACER BUSH. FRONT WHEEL R/S	1
3	0760305271	SHAFT SEAL RING 30X52X7	1
4	0472052200	CIRCLIP DIN0472-52X2	1
5	0625062052	GR.BALL BEAR. 6205-2RSHC3HMTF7	2
6	60010011000	BEAR. SPACERTUBE L=124,8MM 03	1
7	60010015000	SPACER RING 03	1
8	61912033060	Angle valve 8.3 mm for TPMS	1
9	61912033000	Tire pressure sensor	1
10	0900000501500S	Screw M5x15 for TPMS	1
11	59009062019	SPECIAL SCREW M6X19 WS=8 10.9	6
12	60142021100	SENSOR GEAR ABS REAR	1
13	6031006000030	BRAKE DISK REAR	1
14	54610459000	RUBBER DAMPING BLOCK '91	6
15	6011005004433	SPROCKET SUPPORT CPL. BLACK	1
16	60110014000	SPACER BUSH. SPR. SUPP. IN. 06	1
17	0625060060	BALL BEARING 6006 DDU2CG23S6NM	2
18	60110016000	NILOS RING 6006AV	1
19	60110012000	SPACER BUSH. SPROCKET SUPP. 06	1
20	0980101253	HEXAG.NUT DIN 980V M10X1,25 SL	6
21	60010051042	REAR SPROCKET 42-T 03	1
22	60010052000	SPROCKET SCREW M10X1,25 03	6
23	61010086000	COLLAR NUT M25X1,5 WS=32 05	1
24	60010084000	CHAIN TENSIONER R/S LC8 03	1
25	60310081244	Wheel spindle, rear, cmpl.	1
26	60410165120	Chain 525 SDZZ + rivet rivet tool necessary	1
27	60410066000	MASTER LINK F.CHAIN 525 SDZZ	1
98	SPAB17G421M120J	Drive set 1290 Adventure 2021	x
99	60610015000	REAR WHEEL REP. KIT ADV. 1050	x

216191010

55910

* NEW PART X ON DEMAND



POS	PARTNUMBER	PARTNAME	PIECE
1	61911076000	Wiring harness, rear	1
2	61911085033	Engine wiring harness compl.	1
3	61911046000	cable channel engine wiring harness	1
4	61911075033	Main wiring harness, ADV-S compl.	1
5	61911047000	Cable channel, main wiring harness	1
6	61911078000	Wiring harness, front	1
7	61942089000	Front Radar Sensor	1
8	79114086050	Rubber support, CCU	1
9	79114086100	Connectivity unit	1
10	61911047050	Bracket, KTM MY RIDE control unit	1
11	69008021160	special screw M5x12	5
12	61111018100	TEMPERATURE SENSOR	1
13	60711042000	Power socket 12V	1
14	60311042050	Lid 12V-socket	1
15	61942090040	Retaining bracket lean angle sensor compl	1
16	61542090000	Angle sensor	1
17	0024060156S	HH collar screw M6x15 TX30	2
18	61911168000	Race on antenna	1
19	61914039000	HLU control unit	1
21	61914039010	Control unit bracket, HLU	1
22	0081050181	SCREW FOR PLASTIC K50X18 T20	3
23	61041085100	PRESSURE SENSOR 06	1
24	61041085150	RUBBER SUPP. PRESSURE SENS. 06	1
25	61911083000	Connector support	2
26	61041095050	HOSE 3,2X8,5 L=50 MM 05	1
27	61711043000	USB Power Supply 12V	1
28	61916062000	Suspension travel sensor	1
29	0025050166S	HH Collar Screw M5x16 ISA30 SS	2
30	61111057000	RELAY CM1A-R-12V-H80 07	2
31	61911057050	Retaining bracket, relay	1
32	0025060126	HH collar screw M6x12 TX30	1
34	58211058000	STARTER RELAY 12V '99	1
35	64111058110	Cover flap, starter relay	1
36	61916031000	Control unit semi-active chassis	1
37	61911034000	Voltage regulator, 50 A	1
38	0025060256	HH collar screw M6x25 TX30	2
39	60711033000	Control unit MCU 3.0	1
40	60711033050	Rubber band	1

216191110

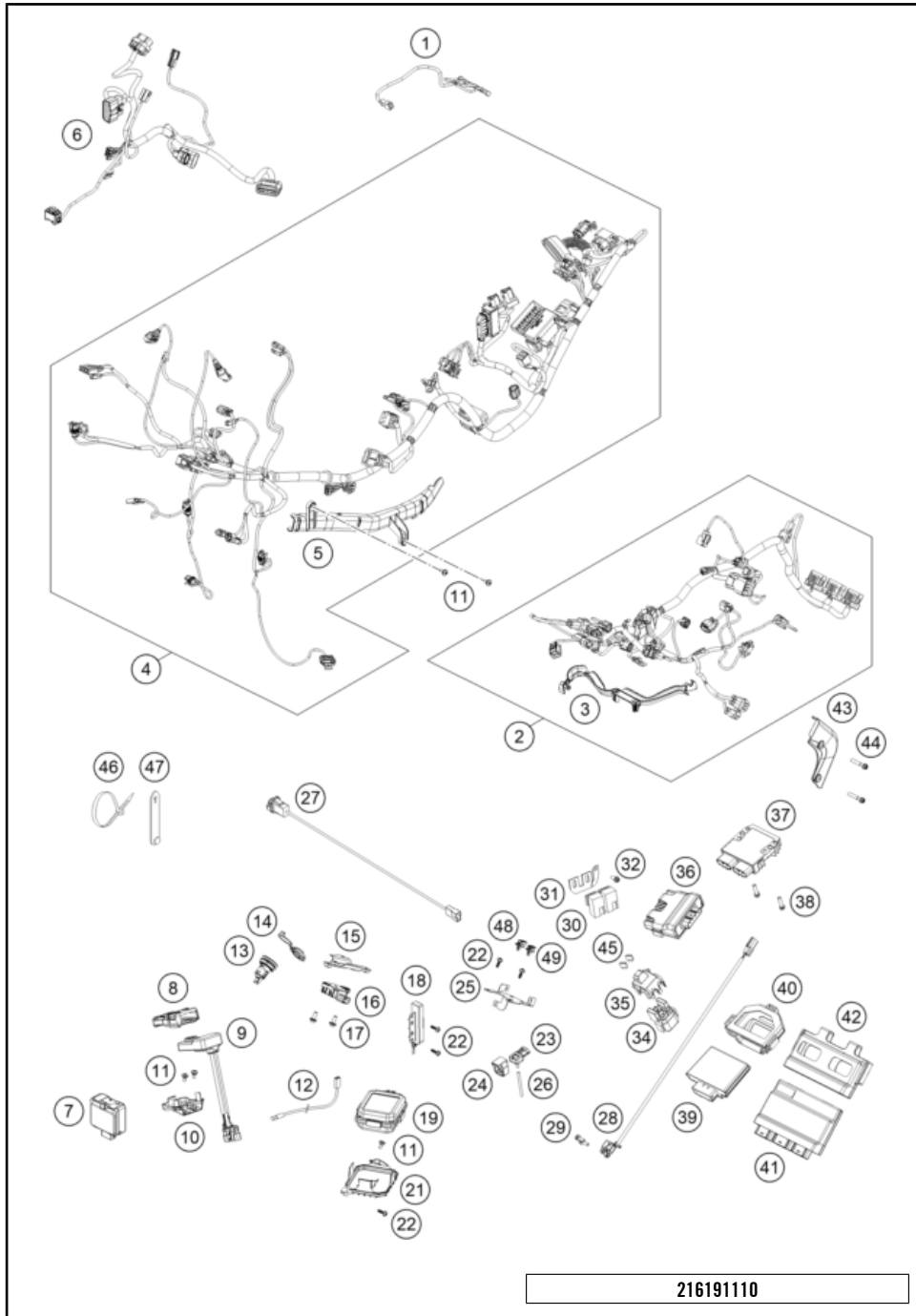
55911

* NEW PART

X ON DEMAND

WIRING HARNESS

1290 SUPER ADVENTURE S, black 2022 EU 2022



POS	PARTNUMBER	PARTNAME	PIECE
41	61941031000	Engine control unit "KTKZ"	1
42	61741031050	Rubber mount ECU	1
43	61411095000	Plug cover	1
44	0025060356	HH collar screw M6x35 TX30	2
45	58011109130	FUSE 30 A	2
46	44011076140	CABLE TIE 140/2,5MM BLACK	x
46	44011076200	CABLE TIE 200/3,6MM BLACK	x
46	44011076305	CABLE TIE 300/4,8MM BLACK	x
47	60011093060	RUBBER CABLE TIE 60MM 03	2
48	000700000KN001	Plug clip	1
49	000700000KE001	Socket connector clip	1

216191110

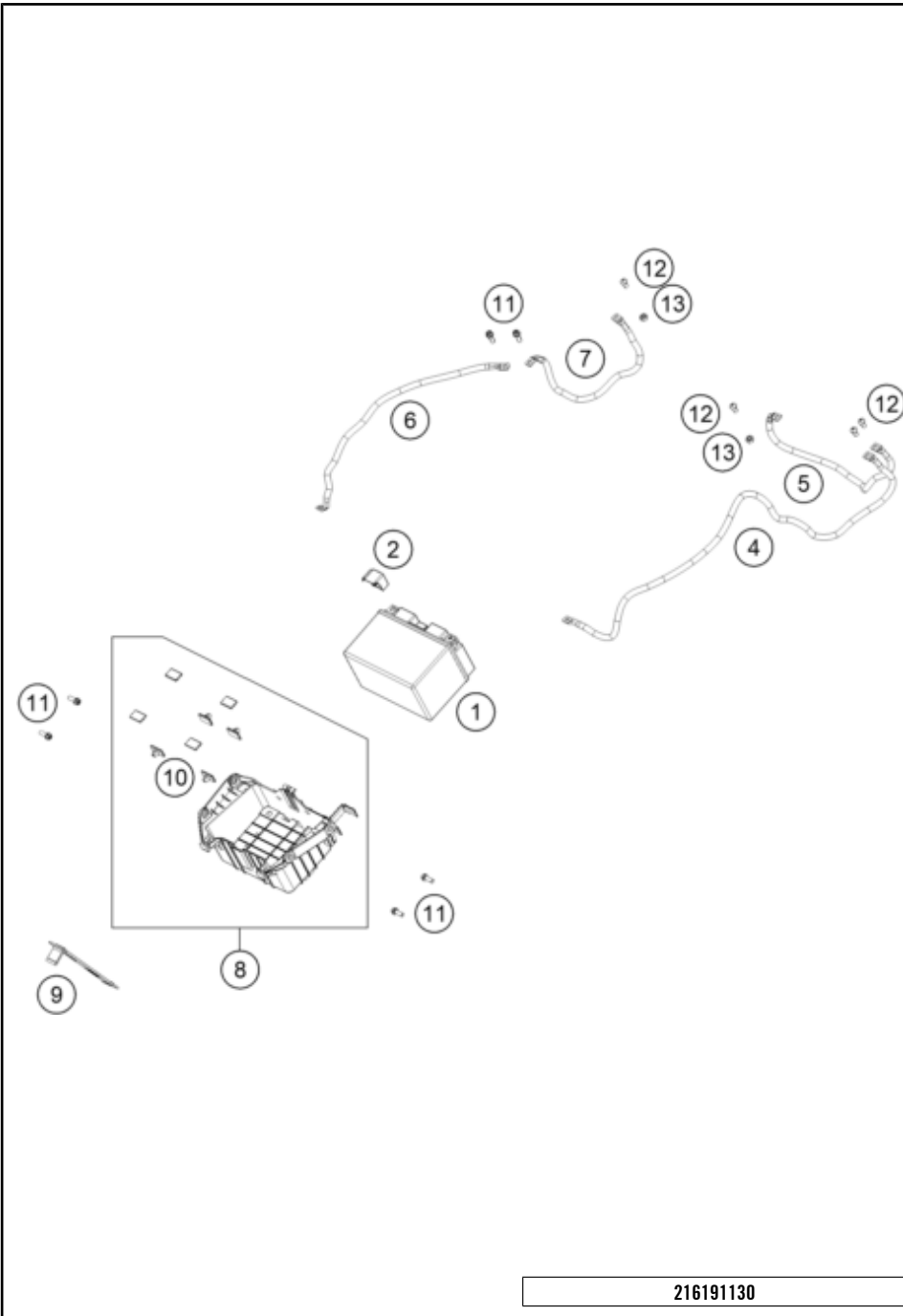
55911

* NEW PART

X ON DEMAND

BATTERY

1290 SUPER ADVENTURE S, black 2022 EU 2022



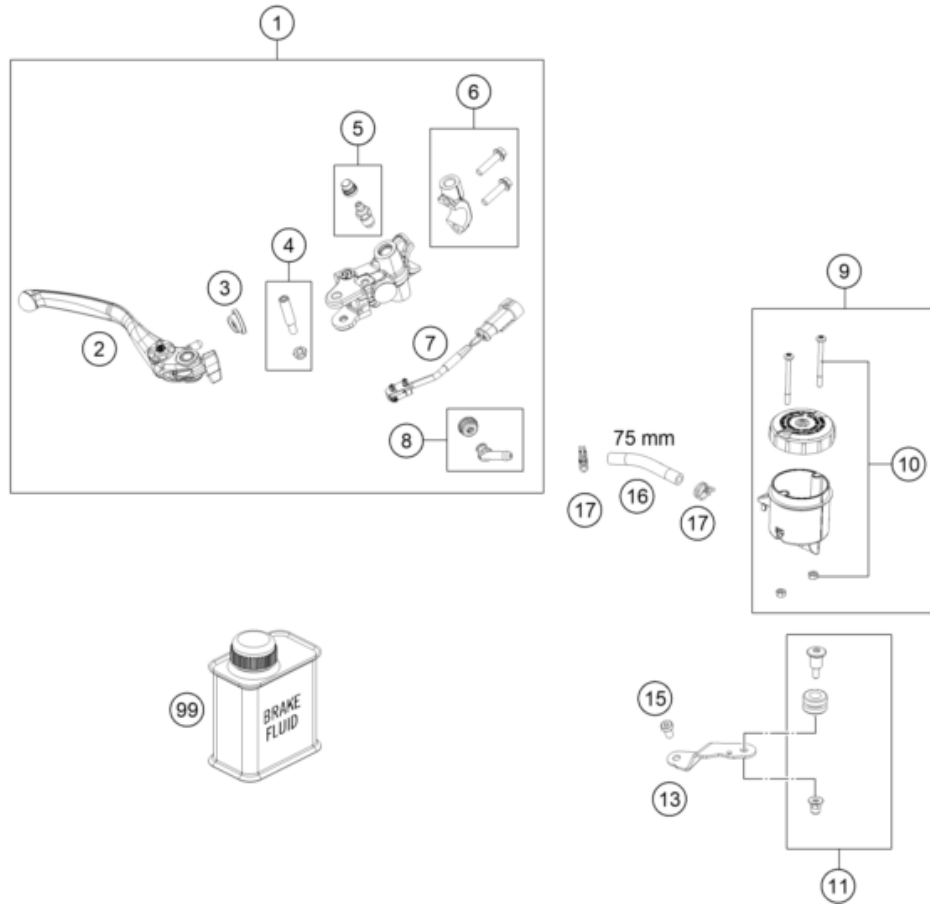
POS	PARTNUMBER	PARTNAME	PIECE
1	60011053000	BATTERY 12V/11AH 03	1
2	61911059060	Cover positive pole	1
4	61911059000	Starter cable	1
5	61911059050	Battery cable	1
6	61911097000	Ground wire, starter - frame	1
7	61911098000	Ground wire, battery - frame	1
8	61911054100	Battery compartment	1
9	76011056000	RUBBER HOLDER BATTERY	1
10	77307040041	Isolation pad	8
11	0025060166	HH collar screw M6x16 TX30	6
12	0738060101	COU.SUNK SCR. AH ISO7380 M6X10	4
13	0934060003	hex nut DIN 934 M6	2

216191130

57913

* NEW PART

X ON DEMAND



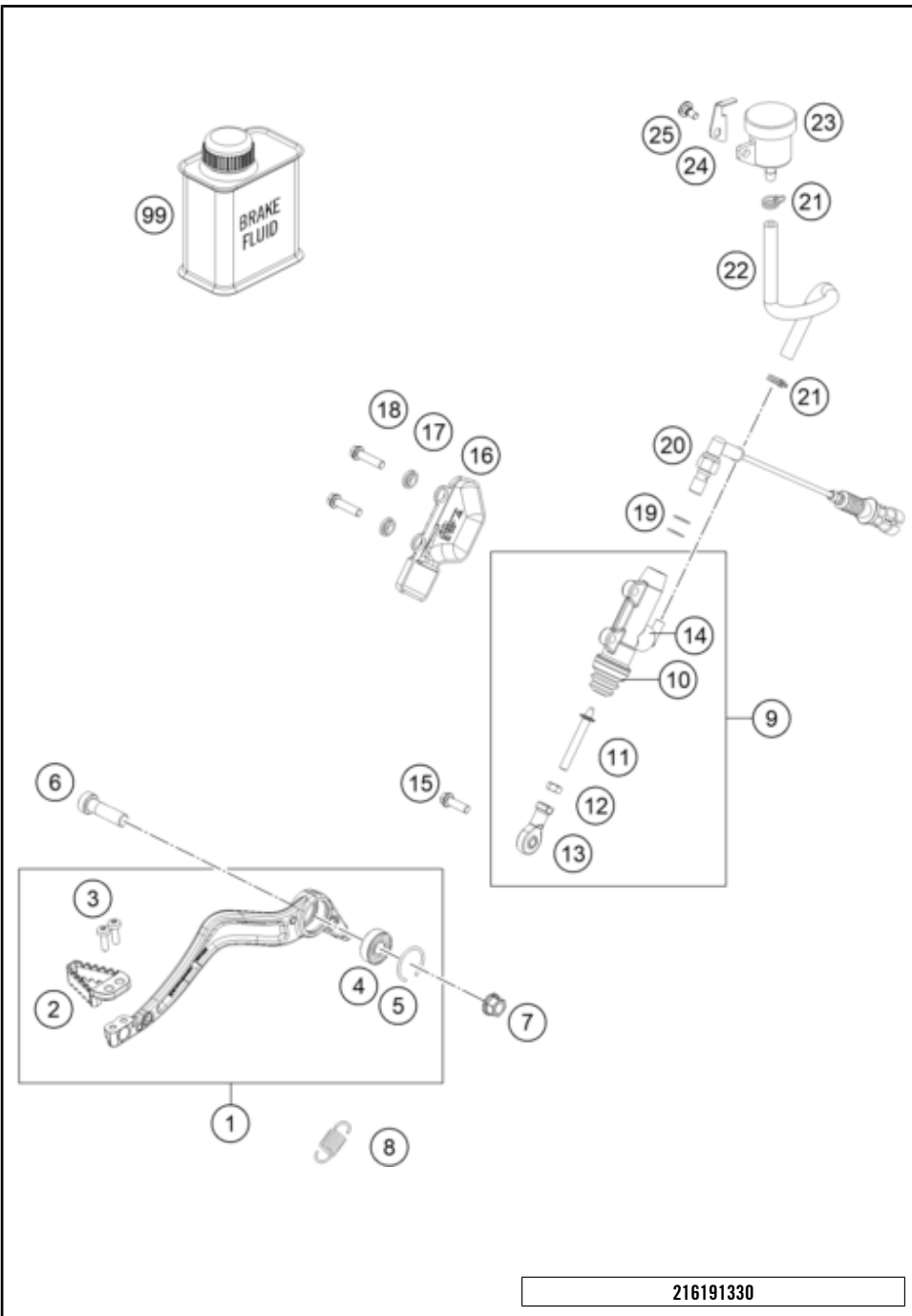
POS	PARTNUMBER	PARTNAME	PIECE
1	61913001000C1	Master cylinder PR18/18	1
2	61913002044C1	front brake lever	1
3	61013008000	RUBBER CUP 05	1
4	61013006000	LEVER SCREW CPL. 05	1
5	60013020000	BLEEDER SCREW WITH CAP	1
6	76013005100	CLAMP CPL. 16	1
7	60311050000	BRAKE LIGHT SWITCH FRONT	1
8	61913055000	Angle piece	1
9	61313029000	BRAKE FLUID RESERV. BLACK CPL.	1
10	61013009203	SCREW + NUT F. RESERVOIR	1
11	61913028044	mounting kit reservoir	1
13	61913028000	holding plate-reservoir	1
15	61013021000	SCREW RET.PANEL-BRAKE CYLINDER	1
16	69013069001	HOSE FOR RESERVOIR 6X1,5	1
17	58007017000	YDNAC CLAMP 10101 (10,4MM)	2
99	00062030000	BRAKE FLUID DOT5.1 0,25L	x

216191310

55985

* NEW PART

X ON DEMAND



POS	PARTNUMBER	PARTNAME	PIECE
1	61913050033C1	Brake pedal cmpl.	1
2	61913051200C1	Brake pedal tread	1
3	0018050163	INT. TORX OVAL HEAD M5X16	2
4	0625060002	deep groove ball bearing SKF 6000-2RS1	1
5	0993026500	round wire snap ring DIN 7993 B - 26	1
6	0032100356S	AH-COLLAR SCREW M10X35 ISA45	1
7	54630044000	COLLAR NUT M10 WS=13	1
8	54603062200	Return spring for brake lever	1
9	6031306000030	REAR BRAKE CONTROL	1
10	54513151000	RUBBER SLEEVE	1
11	60313056044	PUSH ROD CPL.	1
12	0934060003	hex nut DIN 934 M6	1
13	54603069000	SWIVEL HEAD M6 FOOT BRAKE LEV.	1
14	54513155000	ANGLE PIECE	1
15	0025060206	HH collar screw M6x20 TX30	1
16	54513038000	BRAKE CYL. PROTECTOR "BREMBO"	1
17	50213161000	COLLAR BUSHING	2
18	0025060256S	SK-BUNDSCHRAUBE M6X25 ISA30	2
19	0603100141	sealing ring DIN 7603 10x14x1	2
20	60311051000	BRAKE LIGHT SWITCH REAR	1
21	58007017000	YDNAC CLAMP 10101 (10,4MM)	2
22	69013069001	HOSE FOR RESERVOIR 6X1,5	1
23	61713069044	Brake fluid reservoir cmpl.	1
24	61713069020	Lock washer, brake fluid reservoir	1
25	69013099150	Screw, reservoir	1
99	00062030000	BRAKE FLUID DOT5.1 0,25L	1

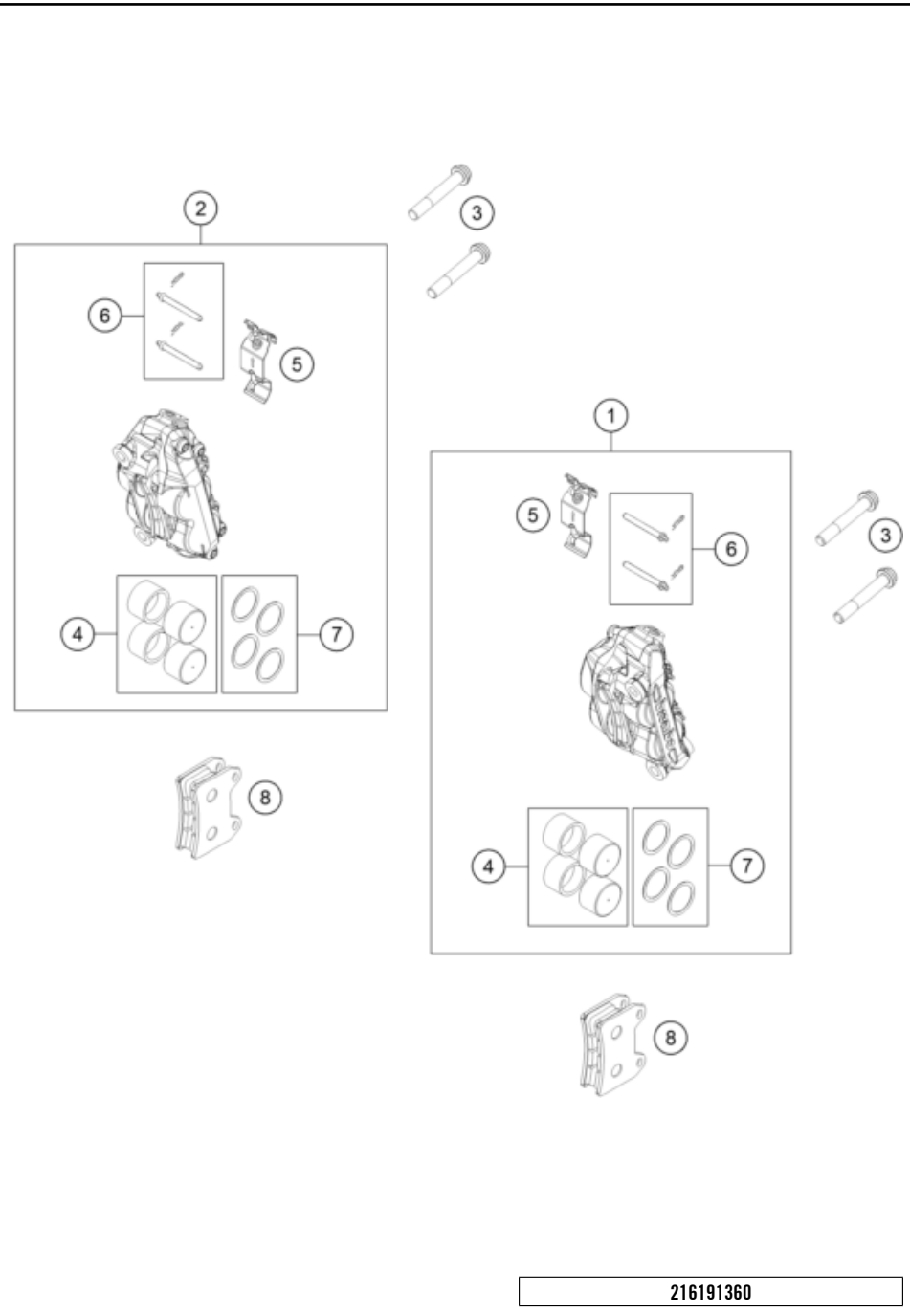
216191330

55988

* NEW PART X ON DEMAND

FRONT BRAKE CALIPER

1290 SUPER ADVENTURE S, black 2022 EU 2022



POS	PARTNUMBER	PARTNAME	PIECE
1	6031301500130	BRAKE CALIPER FR. L/S W/O PADS	1
2	6031301600130	BRAKE CALIPER FR. R/S W/O PADS	1
3	0035100559S	AH-COLLAR SCREW M10X1,25X55SS	4
4	76013019000	BRAKE PISTON CPL.	2
5	58713018000	RETAINING SPRING BREMBO '99	2
6	58713017000	BOLT WHITH CLIP '99	2
7	76013019050	REPAIR KIT SEALING RINGS 4X	2
8	60313130000	BRAKE PADS FRONT TT2172	2

216191360

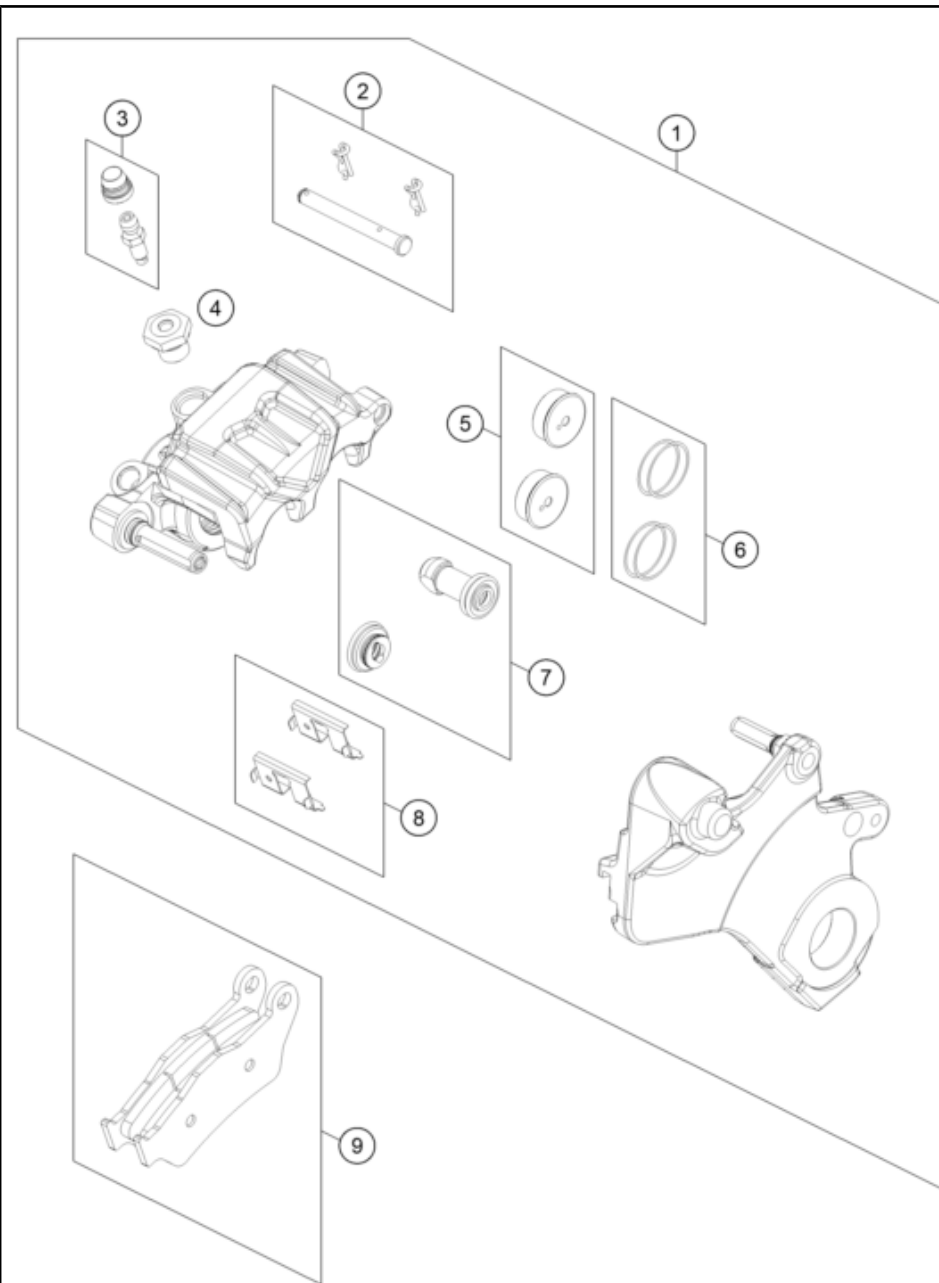
55987

* NEW PART

X ON DEMAND

REAR BRAKE CALIPER

1290 SUPER ADVENTURE S, black 2022 EU 2022



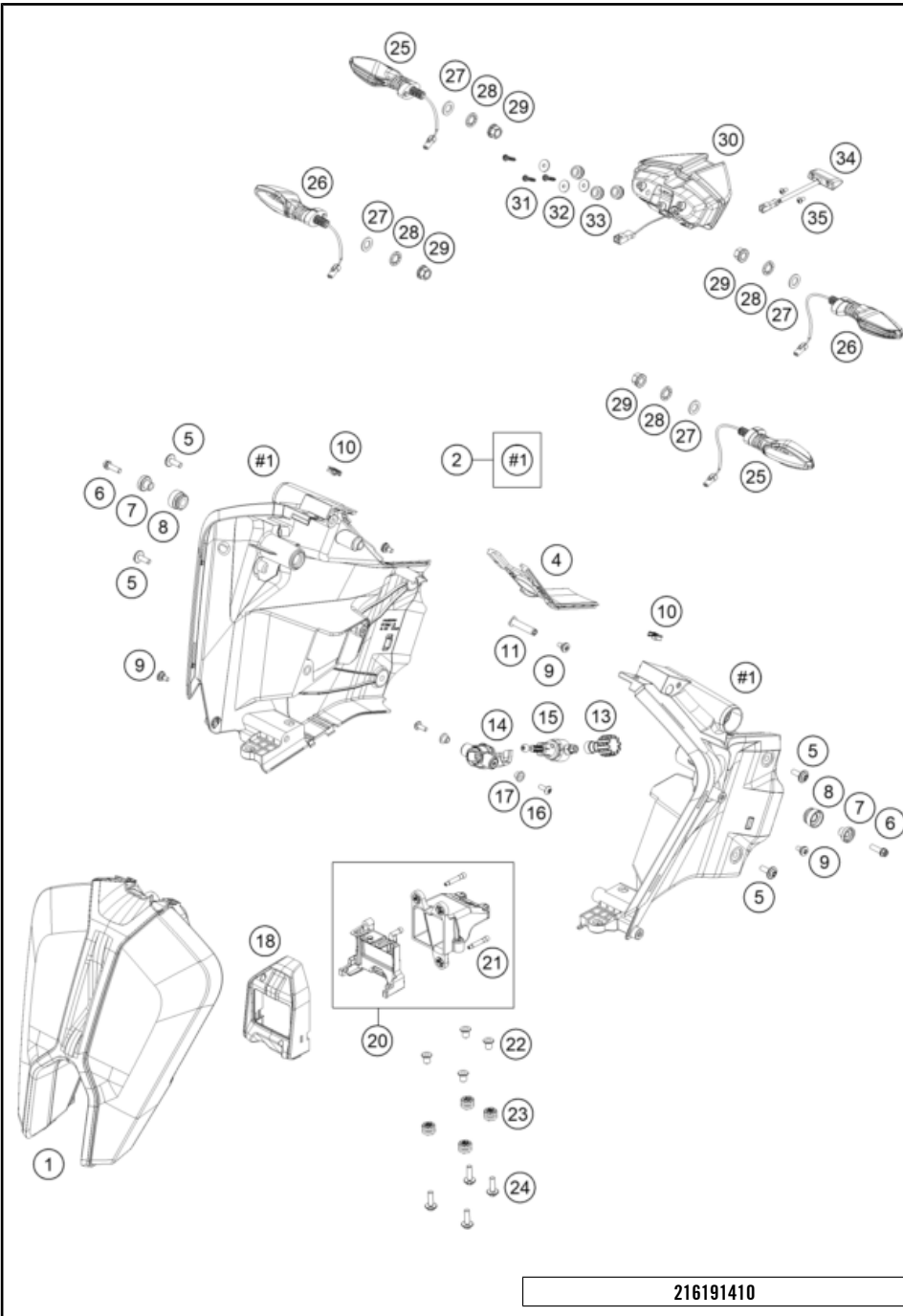
POS	PARTNUMBER	PARTNAME	PIECE
1	6031308010130	BRAKE CALIPER REAR W/O PADS	1
2	77013017000	BOLT CPL. 09	1
3	60013020200	BLEEDER SCREW WITH CAP M6	1
4	60013020100	ADAPTER SCREW	1
5	60013083200	BRAKE PISTONS 05	1
6	60013081000	REP.KIT SEALING RINGS	1
7	54613218100	CUP SET SHORT	1
8	60013018100	RETAINING PLATE SET REAR 03	1
9	50313030000	BRAKE PAD SET FR. TOSHIBA H38	1

216191390

56009

* NEW PART

X ON DEMAND



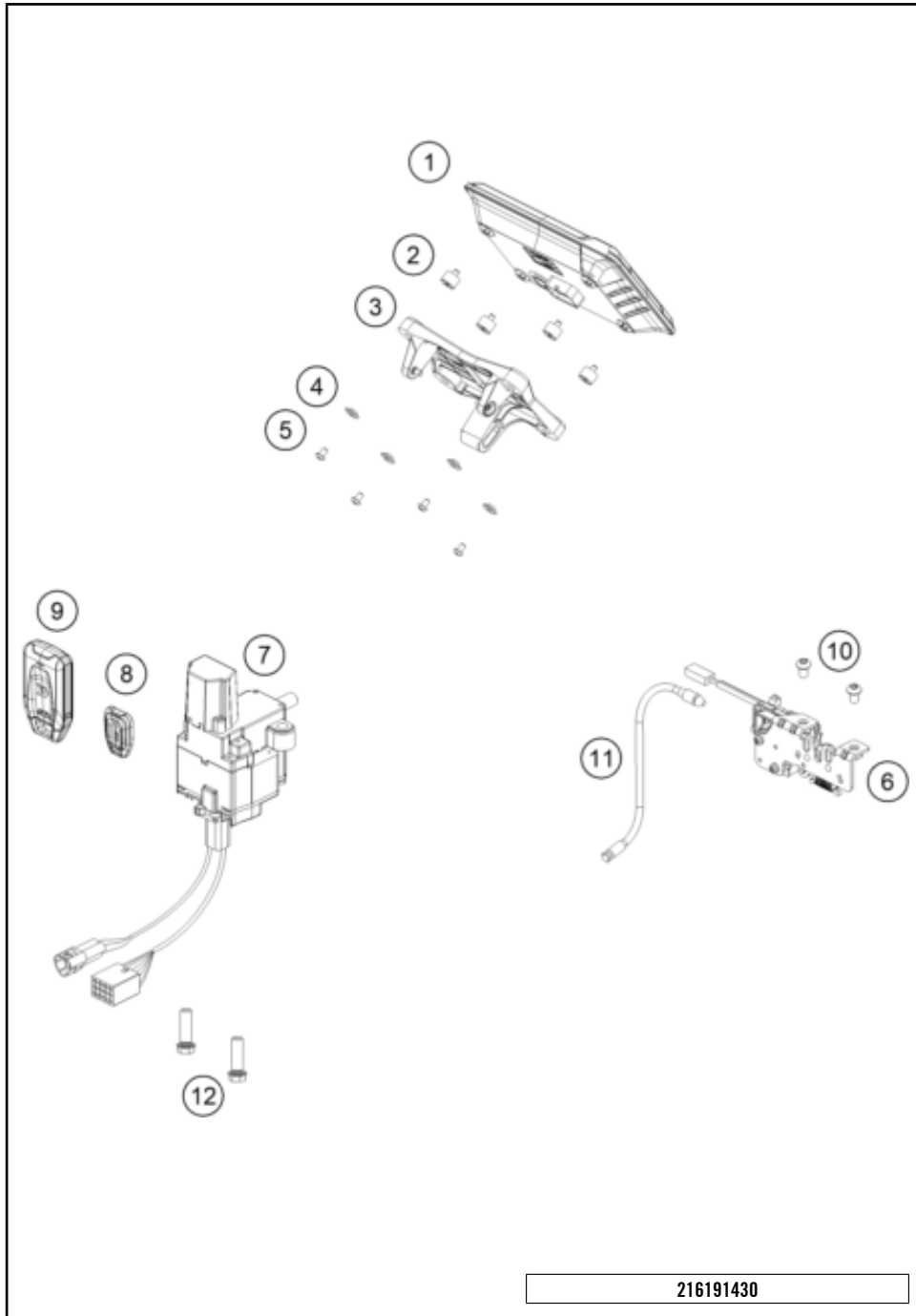
POS	PARTNUMBER	PARTNAME	PIECE
1	61914001000	Headlight	1
2	61914010044	Mask support	1
4	61914012000	Power socket bracket	1
5	69014017000S	special screw M6x22-8.8 ISA30 MK	4
6	0025060206	HH collar screw M6x20 TX30	2
7	60714011060	Plug-in element headlight	2
8	60714011050	Bushing	2
9	69008021160	special screw M5x12	3
10	54603048600	RANGE CHANGE METAL NUT M5 INOX	2
11	61914010020	Bushing, speedometer attachment	1
13	60714023000	Thumbwheel headlight adjust.	1
14	60714024100	Headlight support	1
15	60714020000	Headlight adjuster	1
16	58605083014	SCREW M5X14 TORX 25 07	2
17	60714010080	Collar bushing 5.1x8x13x8 mm	2
18	61914001060	ACC cover	1
20	61914086033	Bracket, ACC compl.	1
21	61914086030	Ball-head screw M5x20 TX20	2
22	46230102350	Distance sleeve	4
23	76014069051	RUBBER SLEEVE 7X10,8X16MM	4
24	0024060206	HH collar screw M6x20 TX30	4
25	60314025000	turn signal front left/rear right	2
26	60314026000	turn signal front right/rear left	2
27	0433100003	WASHER 18x10,5x1,6	4
28	0797100003	LOCK WASHER DIN6797-J10,5 ZI	4
29	58414030000	HH COLLAR NUT M10X1,25 WS=13	4
30	63514040000	Tail light	1
31	0081645121	EJOT DELTA PT SCREW 45X12-Z	3
32	61041088050	SHIM 4,3X15X1,25MM GALVANIZED	3
33	60006001022	rubber grommet 9x11x16x8.5 mm	3
34	61914047000	License plate lighting	1
35	0738010400800	Oval-head screw ISR M4x8-A2-070	2

216191410

55900

* NEW PART

X ON DEMAND



POS	PARTNUMBER	PARTNAME	PIECE
1	61914069000	Combination instrument	1
2	61514069010	Absorbing element	4
3	61914062000	Instrument support	1
4	61614069020	Tachometer support bush	4
5	0738050082	Flat Head Screw ISO7380 M5x8 A2 TX25	4
6	61907050000	Seat lock electric	1
7	61911266100	Ignition lock KTM Race On 433 MHz	1
8	61911067020	passiv transponder Race-on KTM	1
9	61911267000	active transponder Race-on 433 MHz	1
10	0738060101	COU.SUNK SCR. AH ISO7380 M6X10	2
11	61907053040	Rope, emergency release Passenger seat	1
12	0025080256S	HH COLLAR SCREW M8X25 TX40	2

216191430

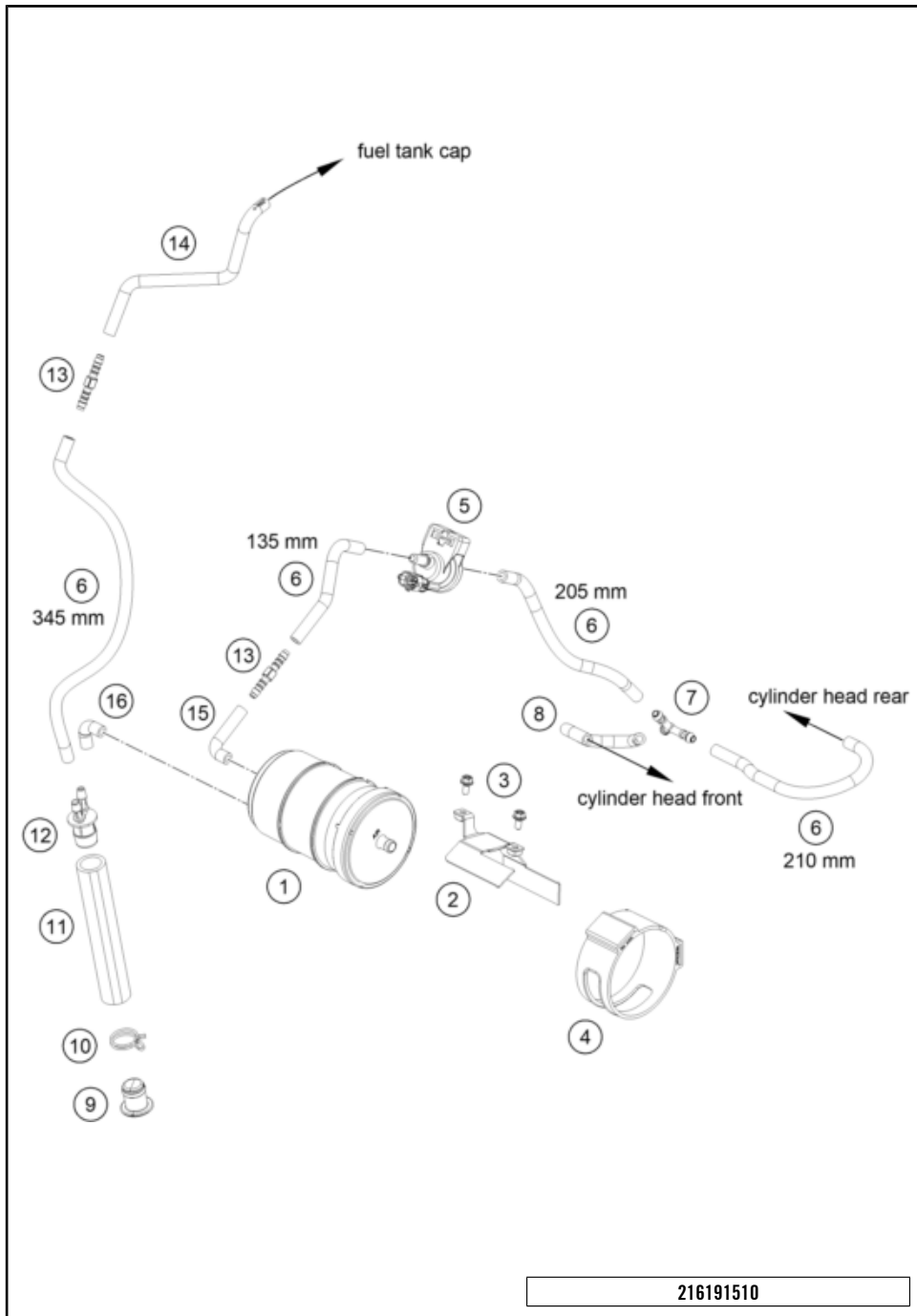
56010

* NEW PART

X ON DEMAND

EVAPORATIVE CANISTER

1290 SUPER ADVENTURE S, black 2022 EU 2022



POS	PARTNUMBER	PARTNAME	PIECE
1	61915001000	Activated charcoal filter	1
2	61915001040	Ret. bracket act. charcoal filter compl.	1
3	0025050106	HH collar screw M5x10 TX30	2
4	61915001010	Rubber band ACF	1
5	76015015000	EVAP valve	1
6	78015019000	HOSE EPA D=6/10 L=2000MM	1
7	60015025100	Y-CONNECTING PIECE YS 6-6-6 06	1
8	61915021000	Pre-formed hose, ACF valve	1
9	61915026010	Plug D=18	1
10	60306082000	CLAMP YDNAC 10173 (19MM)	1
11	61915022140	Hose FKM/ECO 18x25 L=140	1
12	61915028000	Y-PIECE YS 6-18-6	1
13	69015019010	HOSE CONNECTION STRAIGHT	2
14	61915022100	Pre-formed hose for fuel tank vent	1
15	61315022000	PREFORMED HOSE 6X10 FPM	1
16	61915020000	Pre-formed hose ACF	1

57919 * NEW PART X ON DEMAND

0
OHNE ABBILDUNG
WITHOUT ILLUSTRATION

1
TECHNISCHE DOKUMENTATION
TECHNICAL DOCUMENTATION
DOCUMENTACION TECNICA
DOCUMENTATION TECHNIQUE
NOTE TECNICHE



216192000

POS	PARTNUMBER	PARTNAME	PIECE
0	00063004012	HEADLIGHT MASK BOX	1
0	00063004202	PRINT LABEL 60X51 MM	2
0	0024060206	HH collar screw M6x20 TX30	2
0	0912080403	SHCS DIN 912 M8x40	2
0	60006001021	DISTANCE RUBBER AIRBOX 03	6
0	60312040200	Mirror	2
0	60708008071	Special screw M5x14	4
0	61342041100	Collar bushing 6,5x9x18x8,5	4
0	61902180000	Handguard, left	1
0	61902181000	Handguard, right	1
0	61903090000	Skid plate	1
0	61903190033	Skid plate bracket front, compl.	1
0	54603048300	RANGE CHANGE METAL NUT M6 INOX	2
0	61908008000	Windshield	1
0	60708008070	rubber bush windshield fixation	4
0	0021050003	washer DIN 9021 A - 5.3	4
0	0025050126	HH collar screw M5x12 TX30	4
0	62002080051	COLLAR BUSHING HANDGUARD	2
0	62002080052	CLAMP EXTERNAL	2
0	61902004005	Handlebar weight	2
0	62142041000	DAMP. COMPONENT ABS MODUL	4
0	69014117000	Collar screw M6x22-8.8 ISA30	4
0	61908050040	Paint protection sticker set, left + rig	1
1	3214538EN	Owner Manual 1290 Super Adventure S 2022	1
2	61929099000	Tool set	1

58072

* NEW PART

X ON DEMAND



POS	PARTNUMBER	PARTNAME	PIECE
1	61942031044	ABS Modulator refill	1
2	61942033000	Anti-rotation lock, ABS wires	1
3	61942040000	Retaining bracket, ABS module	1
4	0025060126	HH collar screw M6x12 TX30	2
5	62142041000	DAMP. COMPONENT ABS MODUL	3
6	61342041100	Collar bushing 6,5x9x18x8,5	3
7	0025060166	HH collar screw M6x16 TX30	3
8	61942003000	Brake line rear master cylinder	1
9	61942104000	Brake line, brake caliper, front, ADV S	1
10	61942101000	Brake line, rear master cylinder	1
11	61942102000	Brake line, rear brake caliper	1
12	62113020100	banjo bolt M10x1x19.5	6
13	0603100141	sealing ring DIN 7603 10x14x1	16
15	61913046000	Bracket for brake line M5	2
16	0014050163	HH COLLAR SCREW M 5X16 WS=6	2
17	0985050003	SELF LOCKING NUT DIN0985-M 5	2
18	0025060106	HH collar screw M6x10 TX30	1
19	61942003070	Bracket for brake line	1
20	0024060106	HH COLLAR SCREW M6X10 TX30	1
21	62513020000	BLEEDER SCREW CPL. 05	2
22	60342020000	SENSOR GEAR ABS	1
23	60142021100	SENSOR GEAR ABS REAR	1
24	76042125000	ABS-SENSOR	2
25	014580060166	SHCS ISO 14580 M6x16	2
26	60111094100	BAR SPACER 4/7 BLACK	4
27	76913047010	spacer bracket D=6/8,5mm	1
28	61342046000	SUPPORT ABS-PIPE D7,5	3

216194210

57914

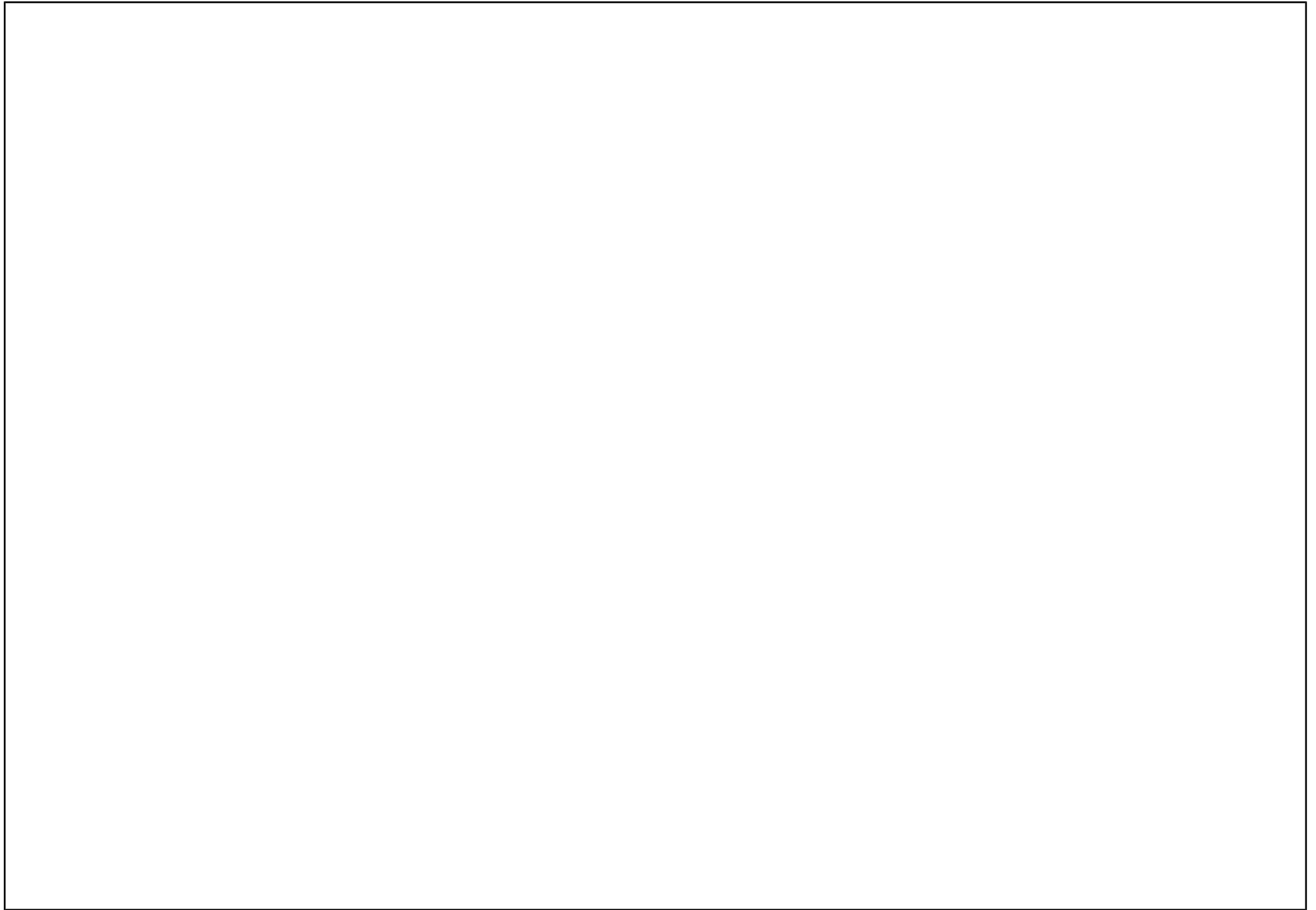
* NEW PART

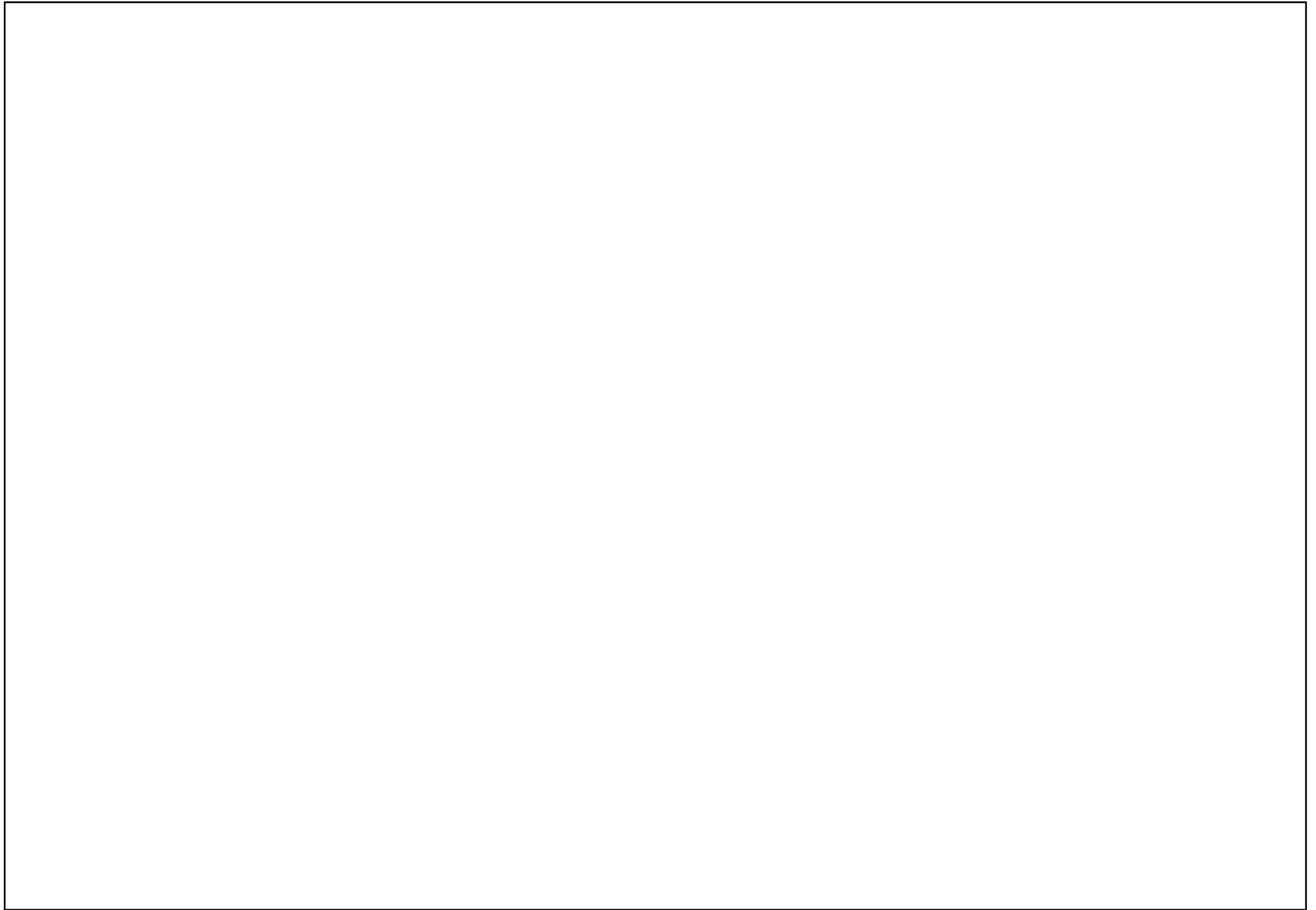
X ON DEMAND

POS	PARTNUMBER	PARTNAME	PIECE
1	50203098003	Sticker "WARNING LABEL 3"	1
2	50307098000	STICKER "OWNERS MANUAL"	1
3	61903498000	Sticker technical information	1
4	61903095000	Sticker ECE	1
5	21007098000	Sticker fuel labelling	1
6	21003094000	"Sticker ""EAC"""	1
7	L121-619-2A	Typenschild EU KTM	1
8	L121-619-3	Typenschild Australien KTM	1

<p>WARNING</p> <ul style="list-style-type: none"> ALWAYS WEAR A HELMET FAILURE TO FOLLOW THE PROPER STARTING AND OPERATING INSTRUCTION MAY RESULT IN AN ACCIDENT. READ THE OWNER'S MANUAL CAREFULLY. 	<p>E1 KTM</p> <table border="1"> <tr><td>10</td><td>R06/01*9306</td></tr> <tr><td>41</td><td>R04/08*0184</td></tr> <tr><td>53</td><td>R03/00*0106</td></tr> <tr><td>60</td><td>R00/05*0110</td></tr> <tr><td>78</td><td>R04/01*0338</td></tr> </table> <p><small>619 03 095 000 KTM V2 Adventure</small></p>	10	R06/01*9306	41	R04/08*0184	53	R03/00*0106	60	R00/05*0110	78	R04/01*0338
10	R06/01*9306										
41	R04/08*0184										
53	R03/00*0106										
60	R00/05*0110										
78	R04/01*0338										
<p>ACHTUNG Lesen Sie vor der ersten Inbetriebnahme des Fahrzeuges die gesamte Bedienungsanleitung aufmerksam durch!</p> <p>IMPORTANT Please read the entire owner's manual carefully before putting the vehicle into operation for the first time.</p> <p>ATTENZIONE Prima della messa in funzione iniziale del veicolo, leggere con attenzione l'intero manuale d'uso!</p> <p>ATTENTION Lire attentivement l'ensemble du manuel d'utilisation avant de mettre le véhicule en service!</p> <p>ATENCIÓN Lea completa y atentamente el manual de instrucciones antes de poner en servicio por primera vez el vehículo!</p>	<p>E5 E10</p> <p>UNLEADED FUEL</p>										
<p>1290 SUPER ADVENTURE S <small>619 03 498 003</small></p> <p>Fuel: RON 95 unleaded (USA + PREMIUM PON 91)</p> <p>Tyre front: 120/70-19, speed index W</p> <p>Air pressure front: rider only 2.4 bar (35 psi) max. payload 2.4 bar (35 psi)</p> <p>Tyre rear: 170/60-17, speed index W</p> <p>Air pressure rear: rider only 2.9 bar (42 psi) max. payload 2.9 bar (42 psi)</p> <p>Max payload: 215 kg (474 lbs)</p> <p>Max. total weight: 480 kg (1054 lbs)</p> <p>Engine oil: fully synthetic 10W50 (SAE40 under 0°C, 32°F)</p> <p>Further information see owner's manual</p>	<p>KTM AG VBXXXXXXXXXXXXXXXX KTM XXXXXXXXXXXX</p> <p>LXX-XX (XXXkW) db 0000 min⁻¹ e1-XXXXXXXXXXXX00 max. XXX kg</p> <p>LXX-XX (XXXkW) db 0000 min⁻¹ e1-XXXXXXXXXXXX max. XXX kg</p>										
	<p>APPROVAL No. 11111 CATEGORY LC</p> <p>KTM KTM AUSTRALIA PTY LTD XXXXXXXX</p> <p>XXXXX VIN VBXXXXXXXXXXXXX</p> <p>THIS VEHICLE WAS MANUFACTURED TO COMPLY WITH THE MOTOR VEHICLE STANDARDS ACT 1989</p>										

226198016	57802	* NEW PART	X ON DEMAND
-----------	-------	------------	-------------





KTM.COM



F9903V5EN

KTM Sportmotorcycle GmbH
5230 Mattighofen, Austria
www.ktm.com

KTM POWERPARTS

KTM POWERWEAR

KTM ORIGINAL SPARE PARTS

