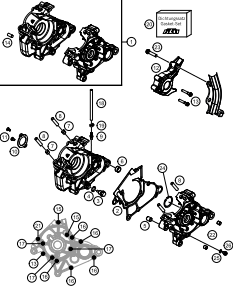
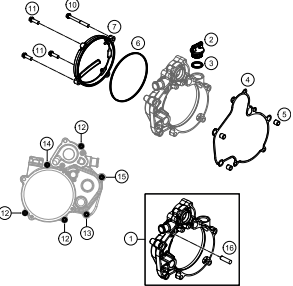
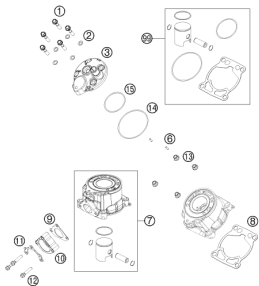
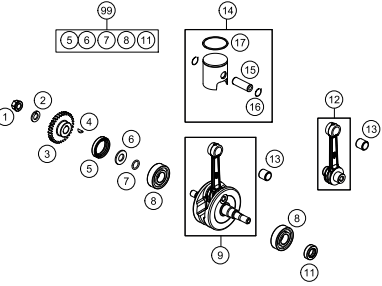
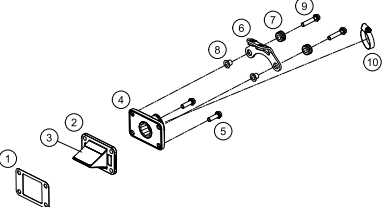
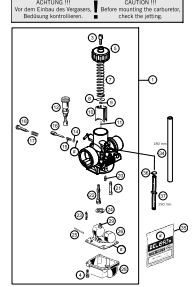
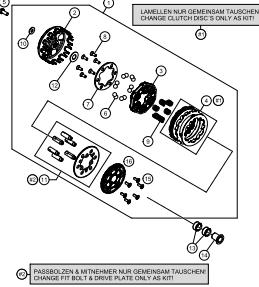
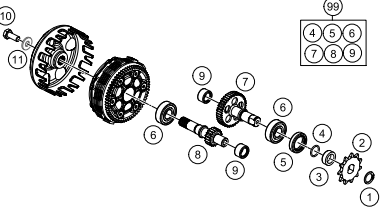
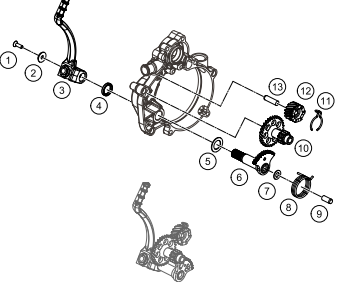
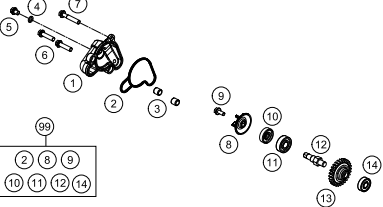
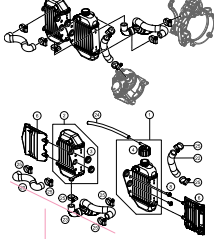
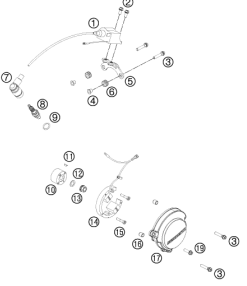
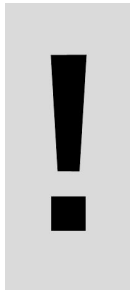


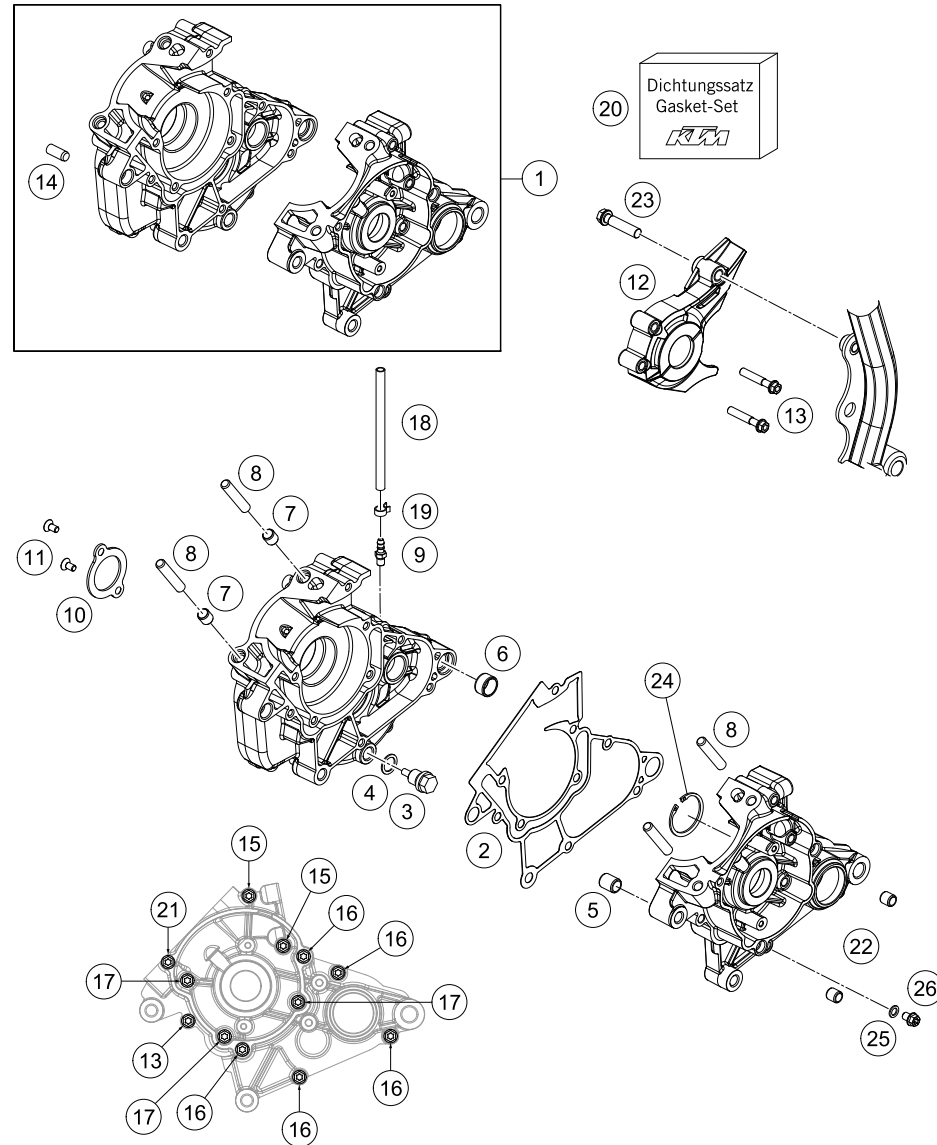
Engine 50 SX 2020

ART.-NR.: 080256TEN



<p>ENGINE CASE</p>  <p>3</p>	<p>CLUTCH COVER</p>  <p>4</p>	<p>CYLINDER, CYLINDER HEAD</p>  <p>5</p>	<p>CRANKSHAFT, PISTON</p>  <p>6</p>
<p>REED VALVE CASE</p>  <p>7</p>	<p>CARBURETOR</p>  <p>8</p>	<p>CLUTCH</p>  <p>10</p>	<p>TRANSMISSION</p>  <p>11</p>
<p>KICK STARTER</p>  <p>12</p>	<p>WATER PUMP</p>  <p>13</p>	<p>COOLING SYSTEM</p>  <p>14</p>	<p>IGNITION SYSTEM</p>  <p>15</p>

		<p>All information contained is without obligation. KTM Sportmotorcycle GmbH particularly reserves the right to modify any equipment, technical specifications, prices, colors, shapes, materials, services, service work, constructions, equipment and the like so as to adapt them to local conditions or to cancel any of the above items, all without previous announcement and without giving reasons. KTM may stop manufacturing certain models without previous notice. KTM shall not be held liable for any deviations of availability and/or ability to deliver, illustrations, descriptions, printing and/or other errors. The illustrated models partly contain extra equipment, which is not applied to standard models.</p> <p>© by KTM Sportmotorcycle GmbH, Mattighofen AUSTRIA; All rights reserved; Reprint, also in extracts, with written allowance of KTM Sportmotorcycle GmbH, Mattighofen only.</p>	



134523012

POS	PARTNUMBER	PARTNAME	PIECE
1	45230000333	ENGINE CASE CPL. 50SX	1
2	45230039000	ENGINE CASE GASKET	1
3	58030021000	OILDRAIN PLUG W.MAG. M 12X1,5	1
4	58038022000	CU-SEAL RING DIN7603-12X18X1,5	1
5	46230024000	DOWEL 12X9X14,5	2
6	58330023000	DOWEL 17 X 14 X 9,5	1
7	46230023000	DOWEL 10X8,2X10	2
8	46030043000	STUD M8X41	4
9	58336020190	VACUUM CONECTION M6/3MM '97	1
10	45230017000	BEARING BRACKET	1
11	0019050106S	hex lobe countersunc screw M5x10 - 10.9	2
12	45230060000	CHAIN GUARD	1
13	0025060356	HH collar screw M6x35 TX30	3
14	0325080200	CYLINDER STUD DIN6325 8X20 M6	1
15	0025060556	HH collar screw M6x55 TX30	2
16	0025060306	HH collar screw M6x30 TX30	6
17	0025060406	HH collar screw M6x40 TX30	3
18	31007007101	PVC-HOSE 4X6MM	x
19	45230089000	YDNAC-CLAMP 10068 (6,8MM)	1
20	45230099000	GASKET SET 50 SX 2009	1
21	0025060206	HH collar screw M6x20 TX30	1
22	45230024000	DOWEL 9,8X7X5.5	2
23	0025080356	HH collar screw M8x35 TX40	1
24	0472035150	CIRCLIP DIN0472-35X1,5	1
25	0603061001	CU-SEAL RING DIN7603-6X10X1	1
26	0025060086	HH collar screw M6x8 TX30	1

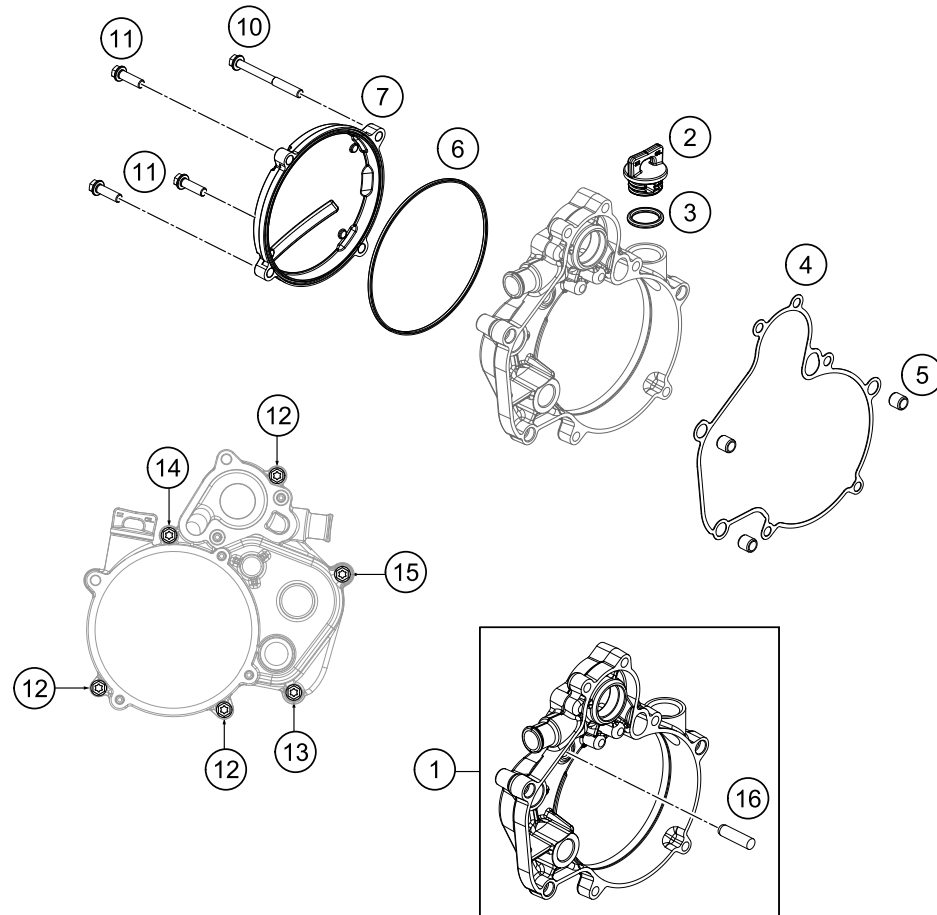
18970

* NEW PART

X ON DEMAND

CLUTCH COVER

Engine 50 SX 2020



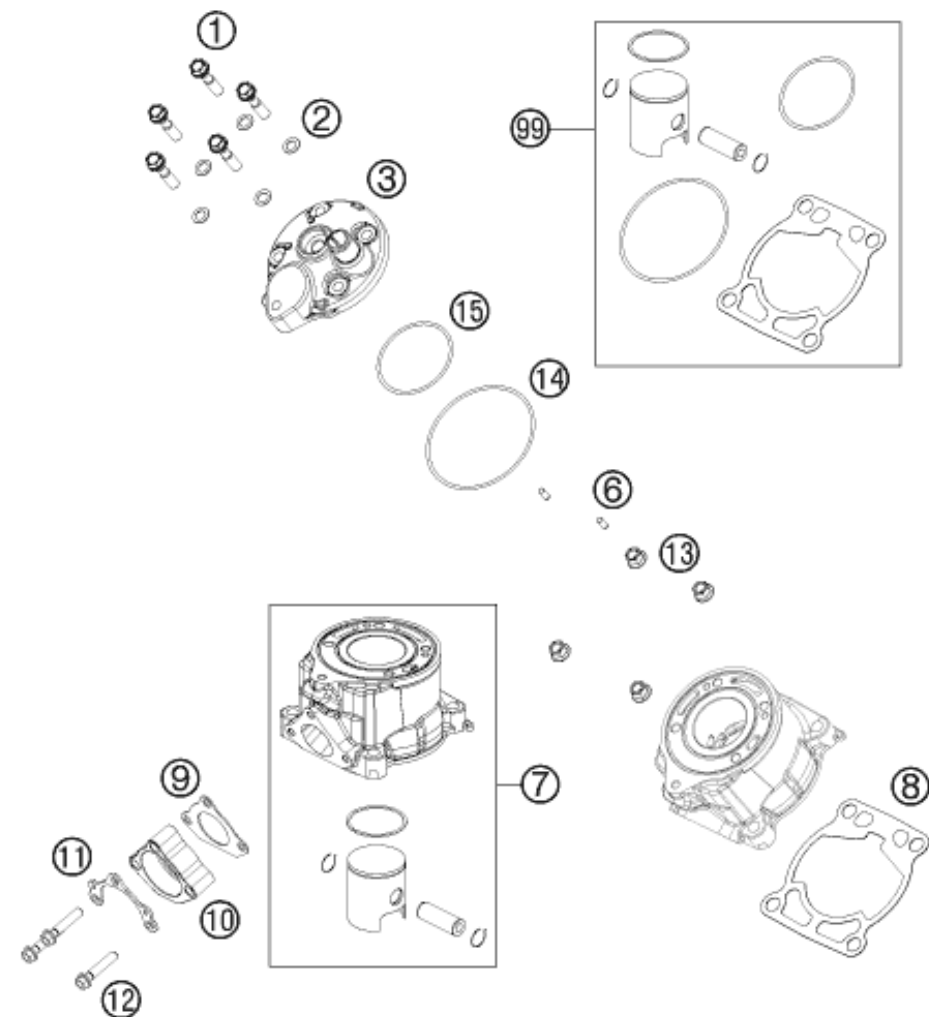
POS	PARTNUMBER	PARTNAME	PIECE
1	45230001044	CLUTCH COVER INNER CPL.	1
2	58030020100	oil plug cpl. M24x3	1
3	0770191015	O-RING 19,00X3,00 NBR	1
4	45230025100	Inner clutch cover gasket	1
5	49030090000	DOWEL 9,8 X 7 X 10	3
6	45230027000	CLUTCH COVER GASKET	1
7	45230026100	CLUTCH COVER OUTSIDE	1
10	0025060606	HH collar screw M6x60 TX30	1
11	0025060206	HH collar screw M6x20 TX30	3
12	0025060256	HH collar screw M6x25 TX30	3
13	0025060306	HH collar screw M6x30 TX30	1
14	0025060356	HH collar screw M6x35 TX30	1
15	0025060506	HH collar screw M6x50 TX30	1
16	0325080300	CYLINDER STUD DIN6325 8X30 M6	1

134523020

52081

* NEW PART

X ON DEMAND



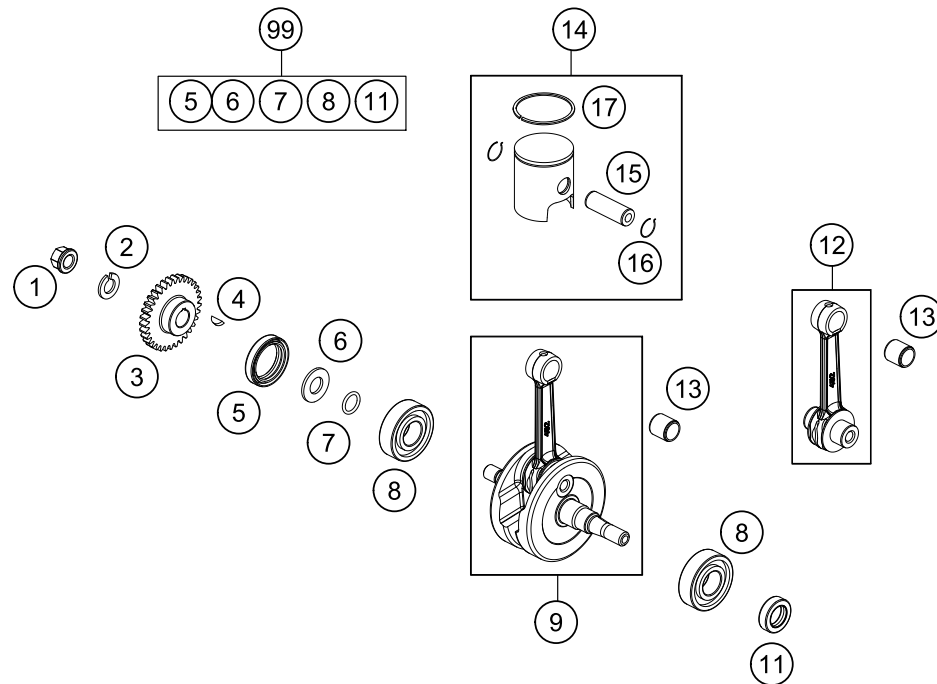
POS	PARTNUMBER	PARTNAME	PIECE
1	50430079000	CYLINDER HEAD SCREW	5
2	0603070121	CU-SEAL RING DIN7603- 7,3X12X1	5
3	45230006000	CYLINDER HEAD	1
6	0402040980	NEEDLE ROL.DIN5402 NRB 4X9,8	2
7	45230038000	CYLINDER + PISTON	1
8	46230035060	CYLINDER BASE GASKET 0,6MM	x
8	46230035050	CYLINDER BASE GASKET 0,5 MM	x
8	46230035040	CYLINDER BASE GASKET 0,4 MM	x
8	46230035020	CYLINDER BASE GASKET 0,2 MM	x
9	45205004000	EXHAUST FLANGE GASKET	1
10	45205003000	EXHAUST FLANGE	1
11	46205003050	BRACKET FOR SPRINGHOLDER	1
12	0025060306	HH collar screw M6x30 TX30	3
13	46030045000	flanged nut M8 WS10	4
14	0770078020	O-RING 78,00X2,00 VIT. BLACK	1
15	0770052020	O-RING 52,00X2,0 VITON 75	1
99	00050000208	PISTON KIT GR.I 50 SX 09-14	x
99	00050000209	PISTON KIT GR.II 50 SX 09-14	x

124523050

11221

* NEW PART

X ON DEMAND



POS	PARTNUMBER	PARTNAME	PIECE
1	58414030000	HH COLLAR NUT M10X1,25 WS=13	1
2	45230072000	LOCKING RING VSK 10	1
3	45232023033	PRIMARY DRIVE 33T	1
4	0888030037	WOODRUFF KEY DIN6888-3X3,7	1
5	0760263561	SHAFT SEAL RING 26X35X6BSL NB	1
6	45230016000	SPACER WASHER - CRANKSHAFT	1
7	0770120020	O-RING 12,00X2,00 NBR 70	1
8	0625062035	BALL BEARING 6203 JR2 C3	2
9	45230018000	CRANKSHAFT CPL.	1
11	0760152472	SHAFT SEAL RING 15X24X7 A-DUO	1
12	45230015000	PISTON ROD REP-SET 09	1
13	45130034000	NEEDLE BEAR.PISTONPIN 12X15X15	1
14	45230007100 I	Piston cpl. I	1
14	45230007100 II	Piston cpl. II	1
15	45230033100	Piston pin	1
16	45230074000	CIRCLIP 09	2
17	45230030000	PISTONRING 09	1
99	00050002313	CRANKSHAFT REP. KIT 50 SX 13	x

194533060

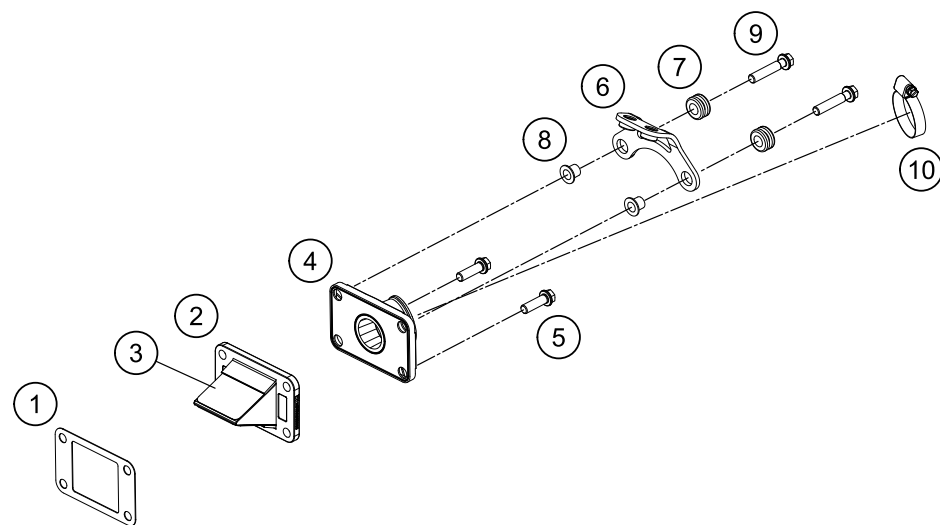
52082

* NEW PART

X ON DEMAND

REED VALVE CASE

Engine 50 SX 2020



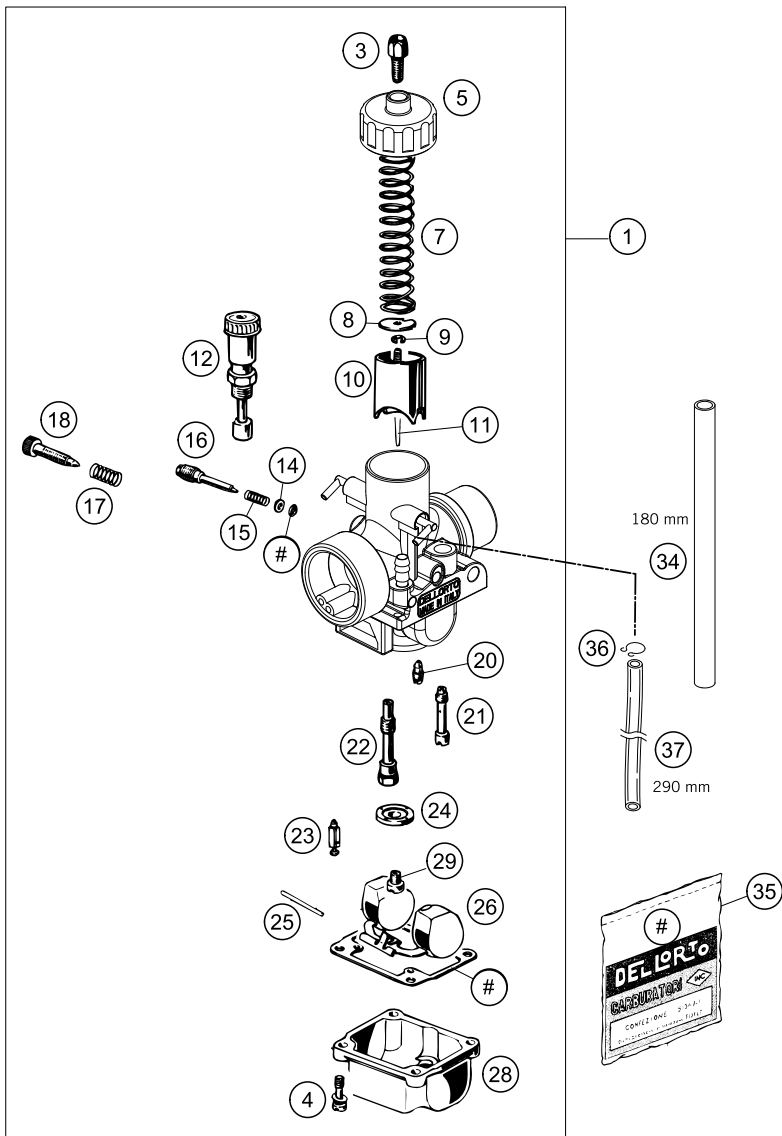
POS	PARTNUMBER	PARTNAME	PIECE
1	46230049000	GASKET MEMBRAN CASE	1
2	46230151044	REED VALVE ASSY CPL.	1
3	46230152028	Membrane	2
4	45230150000	INTAKE FLANGE	1
5	0025060206	HH collar screw M6x20 TX30	2
6	45239010000	IGNIT. COIL RETAIN. PLATE CPL.	1
7	31008060000	rubber grommet D=8mm open	2
8	45239060050	COLLAR BUSHING 6,3X8X13X9,5	2
9	0025060306	HH collar screw M6x30 TX30	2
10	76235028000	HOSE CLAMP GEMI 20-32 MM	1

154523070

15750

* NEW PART X ON DEMAND

ACHTUNG !!! **CAUTION !!!**
 Vor dem Einbau des Vergasers, **!** Before mounting the carburetor,
 Bedüsung kontrollieren. **■** check the jetting.



194533110

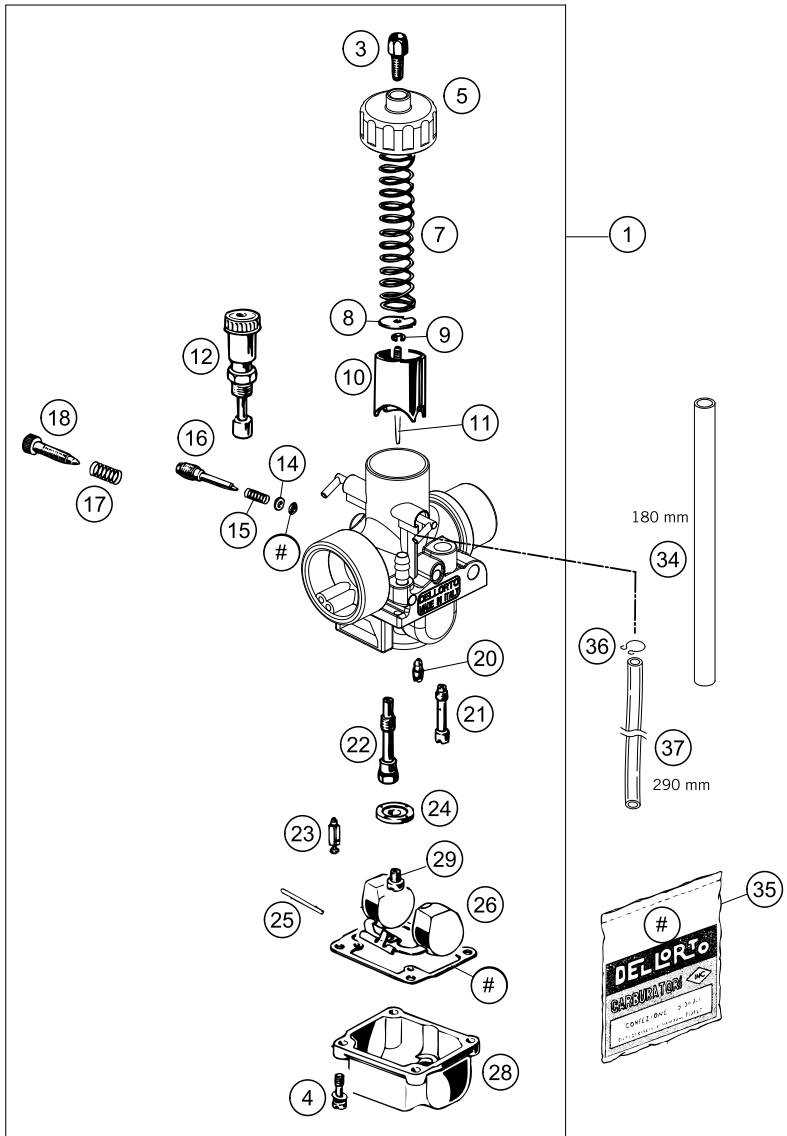
POS	PARTNUMBER	PARTNAME	PIECE
1	45231101000	Carburetor PHBG 19 BS CHECK THE JETTING	1
3	57031525000	ADJUSTMENT SCREW M6X0,75	1
4	0016040163	HH COLLAR SCREW M 4X16 WS=6	4
5	45131027000	CARBURETOR COVER DELLORTO 19	1
7	45131030000	SPRING DELLORTO	1
8	45131109000	RETAINING SPRING DELLORTO	1
9	0799025055	TAB WASHER DIN6799-RS 2,5	1
10	45131035000	THR. VALVE DELLO.19 60 2001	x
10	45131035040	THR. VALVE DELLO.40 2008	x
11	45131034007	JET NEEDLE W7	1
11	45131034009	JET NEEDLE W9	x
12	45131048000	STARTING BUTTON DELLORTO 19	1
14	57031572000	WASHER 3,3 X 5,8 X 0,5	1
15	45131015000	SPRING DELLORTO	1
16	45131017000	AIR ADJUST SCREW DELLORTO	1
17	45131518000	SPRING	1
18	45131019000	IDLE ADJUST SCREW	1
20	45131007045	IDLING JET 45 DELLORTO	x
20	45131007048	IDLING JET 48 DELLORTO	x
20	45131007050	IDLING JET 50 DELLORTO	x
20	45131007052	IDLING JET 52 DELLORTO	x
20	45131007055	IDLING JET 55 DELLORTO	x
20	45131007058	IDLING JET 58 DELLORTO	x
21	45131051060	START JET 60 DELLORTO	1
22	45131021260	NEEDLE JET 260	x
22	45131021262	NEEDLE JET 262	x
23	45131020000	FLOATING NEEDLE VALVE DELLORTO	1
24	45131074000	COVER DELLORTO	1
25	45131008000	PIN DELLORTO	1
26	45131009000	FLOAT 4 GR.	1
28	45131011000	FLOAT BOWL DELLORTO 19	1
29	15131123080	MAIN JET 80 DELLORTO	x
29	15131123085	MAIN JET 85 DELLORTO	x
29	15131123090	MAIN JET 90 DELLORTO	x
29	15131123095	MAIN JET 95 DELLORTO	x
34	58307016001	FUEL HOSE VITON 6X1,5 PER/M	x
35	45131099000	GASKET SET DELLORTO 19	1

52083

* NEW PART

X ON DEMAND

ACHTUNG !!! **CAUTION !!!**
 Vor dem Einbau des Vergasers, **!** Before mounting the carburetor,
 Bedüsung kontrollieren. **■** check the jetting.



194533110

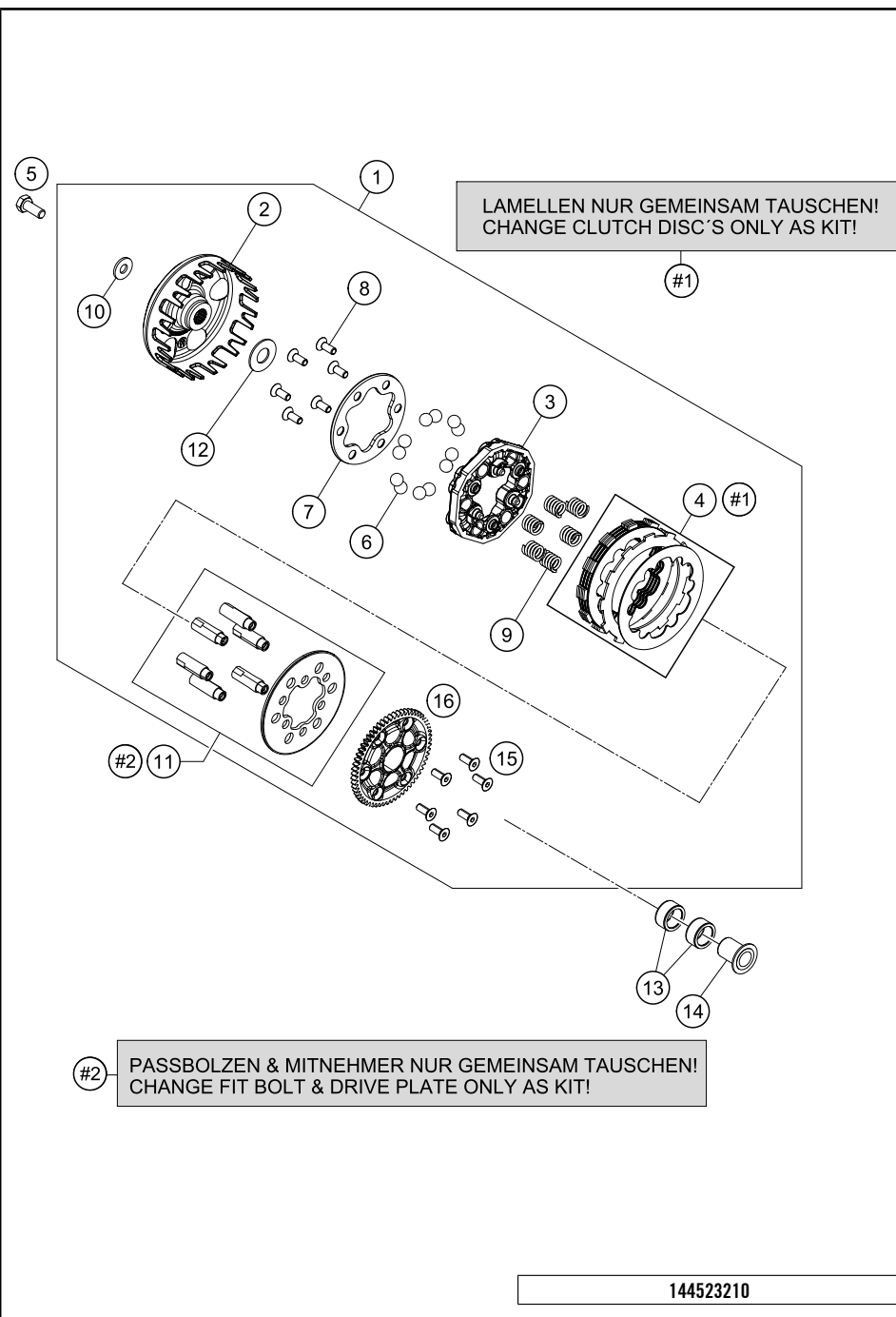
POS	PARTNUMBER	PARTNAME	PIECE
36	54531696000	CLAMP 6 MM	1
37	31007007101	PVC-HOSE 4X6MM	x

52083

* NEW PART X ON DEMAND

CLUTCH

Engine 50 SX 2020

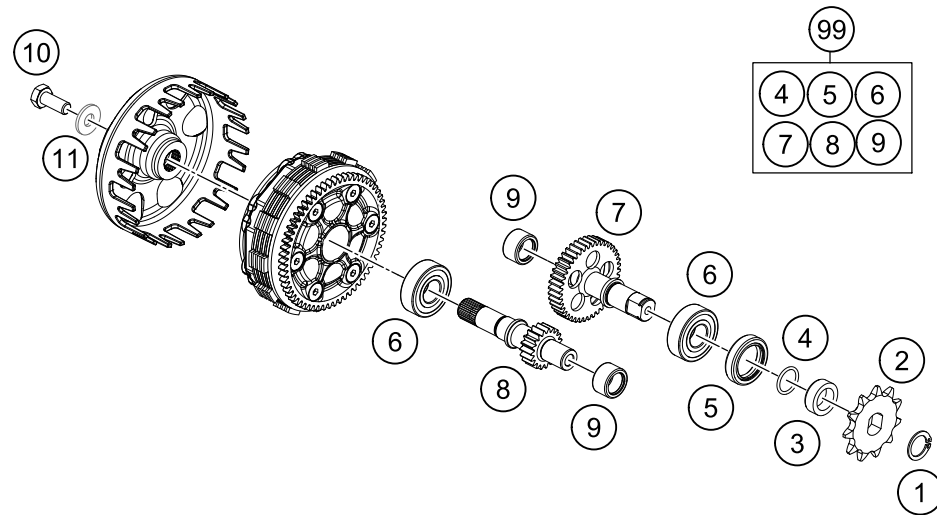


POS	PARTNUMBER	PARTNAME	PIECE
1	45232100144	AXIAL CLUTCH ASSEMBLY	1
2	45232101000	CLUTCH BASKET	1
3	45232139044	BALL CAGE ASSEMBLY	1
4	45232110033	CLUTCH DISC KIT	1
5	0035080206S	SHCS M8x20 TX45	1
6	0401110000	BALL D=11MM	12
7	45232103000	PRESSURE PLATE	1
8	0991060166S	FL.HEAD SCR.DIN7991-M6X16 10.9	6
9	45232105000	CLUTCH SPRING 15,9MM	6
9	45232105100	CLUTCH SPRINGS 15.9MM HARD	x
10	0340084234	WASHER DIN 6340 8,4X23X4	1
11	45232107244	FIT BOLT WITH DRIVE PLATE	1
12	75034050000	STOP DISK 14X30X1,5 STEEL	1
13	0402182412	NEEDLE BEARING 18X24X12A	2
14	45232013000	INNER RING WITH COLLAR	1
15	09910601661S	FL.HEAD SCR.DIN7991-M6X16 10.9	6
16	45232124061	Primary gear 61t	1

14246

* NEW PART

X ON DEMAND



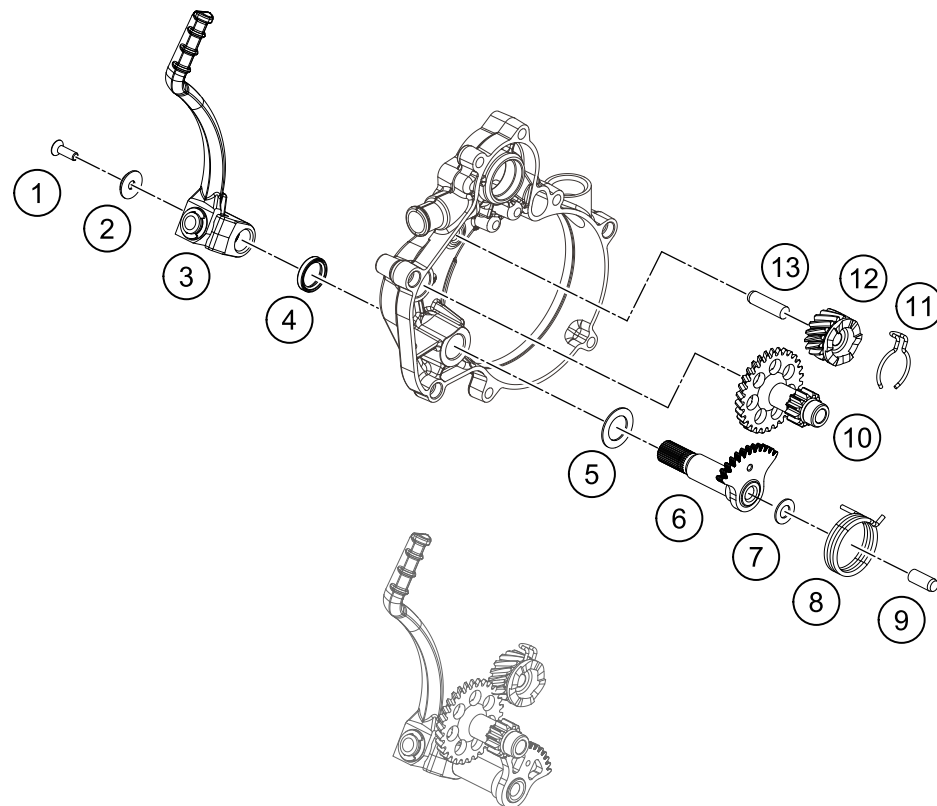
POS	PARTNUMBER	PARTNAME	PIECE
1	0471150010	CIRCLIP DIN0471-15X1	1
2	45233029011	SPROCKET 11 T.	x
2	45233029010	SPROCKET 10 T.	x
3	45233030000	DISANCESPACER F. SPROCKET	1
4	0770015018	O-RING 15,00X1,80	1
5	0760223270	SHAFT SEAL RING 22X32X7 BSL	1
6	45133028000	BALL BEARING 15X35X11	2
7	45233010200	COUNTER SHAFT ONLY USE WITH 45233001200	1
8	45233001200	MAIN SHAFT ONLY USE WITH 45233010200	1
9	54632095000	needle sleeve HK 1412 14x20x12	2
10	0035080206S	SHCS M8x20 TX45	1
11	0340084234	WASHER DIN 6340 8,4X23X4	1
99	00050000948	COUNTER SHAFT REP. KIT 50 SX	x

144523310

14247

* NEW PART

X ON DEMAND



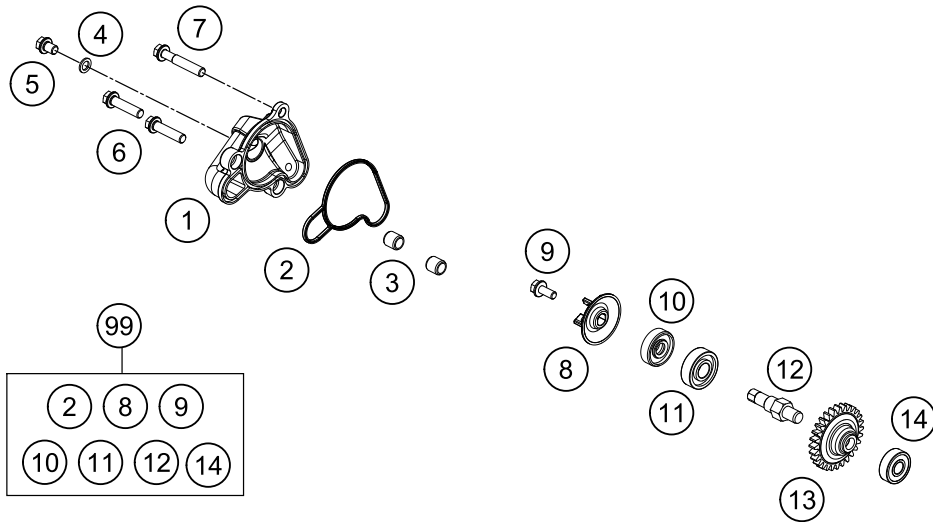
POS	PARTNUMBER	PARTNAME	PIECE
1	0019050163S	INT. TORX FLAT HEAD M5X16 8.8	1
2	60008045100	SPECIAL WASHER FOR M5 03	1
3	45233050100	Kickstarter shaft	1
4	0760162240	SHAFT SEAL RING BALANC. SHAFT	1
5	45233058000	WASHER 16,3X25,8X1	1
6	45233050044	KICK START SHAFT CPL.	1
7	45233057000	WASHER 8,2X16X1	1
8	45233054000	KICKSTARTER SPRING	1
9	0325080200	CYLINDER STUD DIN6325 8X20 M6	1
10	45233053000	KICKSTARTER SHAFT	1
11	45233056100	SPRING RATCHET GEAR	1
12	45233052116	stop gear	1
13	0325080300	CYLINDER STUD DIN6325 8X30 M6	1

194533390

52084

* NEW PART

X ON DEMAND



POS	PARTNUMBER	PARTNAME	PIECE
1	45235052000	WATERPUMP COVER	1
2	45235053000	WATER PUMP COVER GASKET	1
3	49030090000	DOWEL 9,8 X 7 X 10	2
4	0603061001	CU-SEAL RING DIN7603-6X10X1	1
5	0025060086	HH collar screw M6x8 TX30	1
6	0025060256	HH collar screw M6x25 TX30	2
7	0025060406	HH collar screw M6x40 TX30	1
8	45235055000	WATER PUMP WHEEL	1
9	0014050123	HH COLLAR SCREW M 5X12 WS=6	1
10	0760082472	SHAFT SEAL RING 8X24X7 A DUO	1
11	0625060001	BALL BEARING 6000/C3	1
12	50335054150	WATER PUMP SHAFT	1
13	45235054028	DRIVE WHEEL	1
14	0625006087	GROOVED BALL BEAR. 608 2RS C3	1
99	54835055010	WATER PUMP REP. KIT 50/65 SX	1

124523510

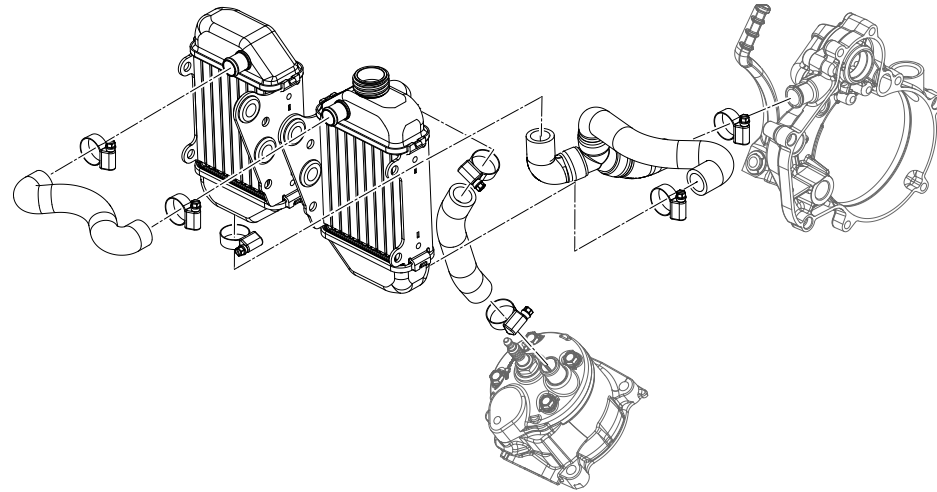
11238

* NEW PART

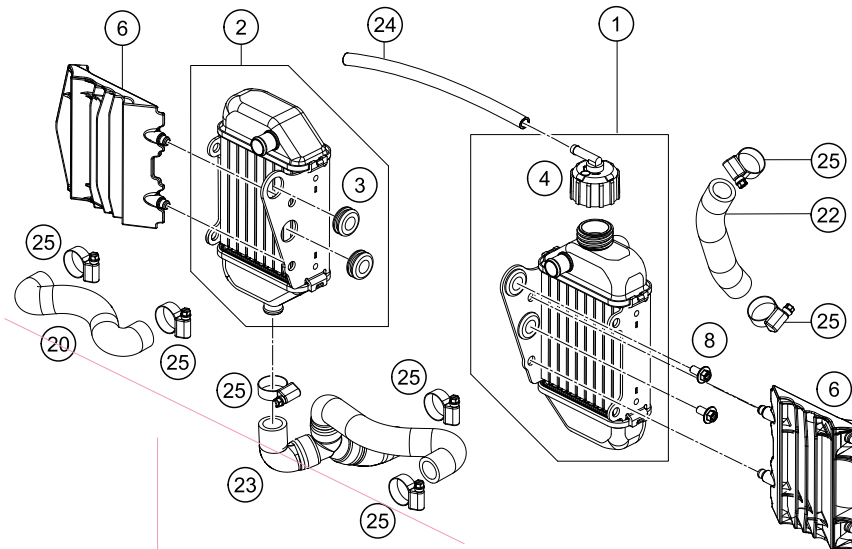
X ON DEMAND

COOLING SYSTEM

Engine 50 SX 2020



POS	PARTNUMBER	PARTNAME	PIECE
1	45235007200	RADIATOR L/S 50 SX	1
2	45235008200	RADIATOR R/S 50 SX	1
3	41001052000	RUBBER SLEEVE D=12MM	4
4	45235009000	RADIATOR CAP 1,8 BAR	1
6	45235034100	RADIATOR PROTECTION	2
8	0024060123	COLLAR SCREW M6X12 TX	4
20	45235026200	PREFORMED HOSE ABOVE	1
22	45235025500	Pre-formed hose radiator left cyl. head	1
23	45235027033	RADIATOR HOSE CPL. W.Y-PIECE	1
24	55007016001	PVC-HOSE 7X10 PER METER	1
25	42013037400	HOSE CLAMP NORMA 14/24	7

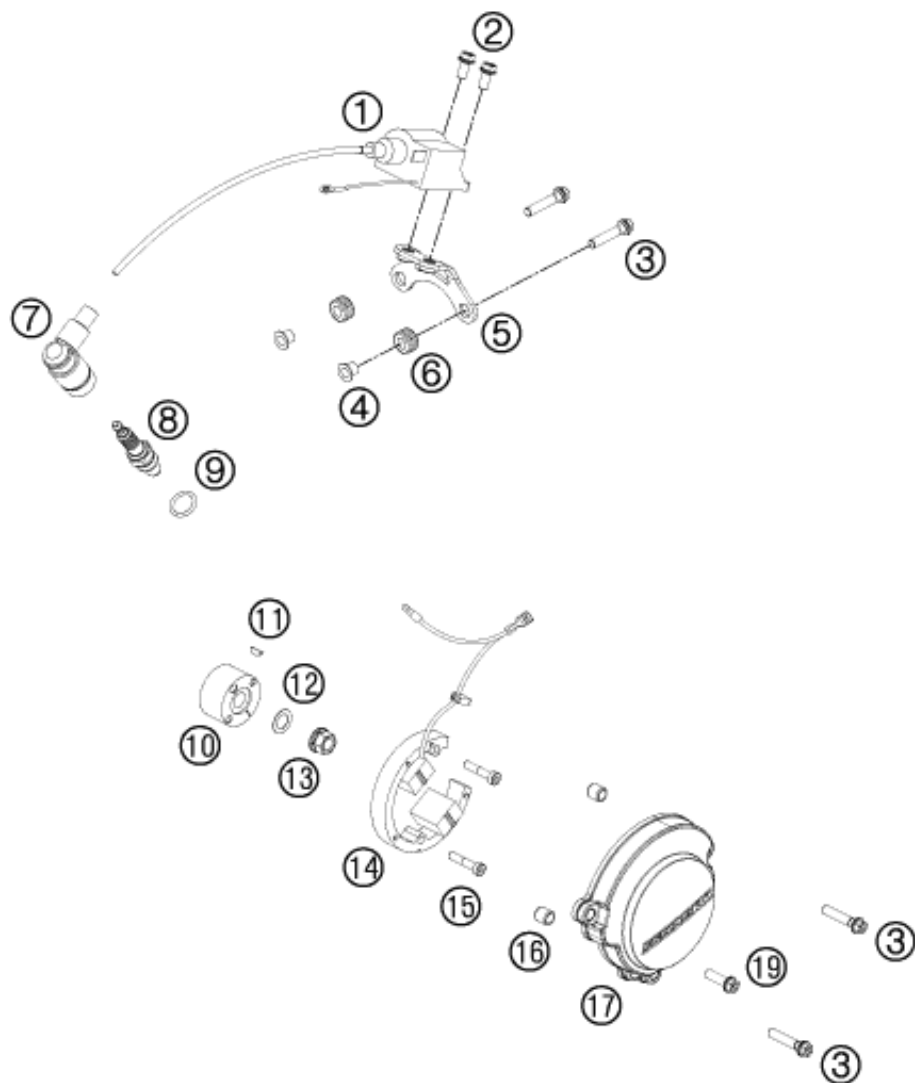


134523531

52270

* NEW PART

X ON DEMAND



POS	PARTNUMBER	PARTNAME	PIECE
1	45239006100	IGNITION COIL	1
2	0025060126	HH collar screw M6x12 TX30	2
3	0025060306	HH collar screw M6x30 TX30	4
4	45239060050	COLLAR BUSHING 6,3X8X13X9,5	2
5	45239010000	IGNIT. COIL RETAIN. PLATE CPL.	1
6	31008060000	rubber grommet D=8mm open	2
7	46239090000	SPARK PLUG CONNECTOR	1
8	45239093000	SPARK PLUG LR8B	1
9	0770012030	O-RING 12,00X3,0 VITON 75	1
10	45139005100	FLYWEEL ROTOR 50 2004	1
11	0888025030	WOODRUFF KEY DIN6888-2,5X3	1
12	45132020000	WASHER 10,4X16,8X0,4	1
13	58414030000	HH COLLAR NUT M10X1,25 WS=13	1
14	45139004000	FLYWHEEL STATOR 50CCM LC 2001	1
15	0012050253	AH SCREW DIN6912 M5X25	2
16	45230024000	DOWEL 9,8X7X5.5	2
17	45230002300	IGNITION COVER CPL.	1
19	0025060206	HH collar screw M6x20 TX30	1

124523910

11244

* NEW PART

X ON DEMAND

A large, empty rectangular box with a thin black border, occupying the majority of the page. It is intended for the user to write notes related to the 'Engine 50 SX 2020'.

WWW.KTM.COM



KTM Sportmotorcycle GmbH
5230 Mattighofen, Austria
www.ktm.com



KTM_POWERPARTS

KTM_POWERWEAR

KTM_ORIGINAL SPARE PARTS



080256TEN

Art. Nr.: 080256TEN 13. Mär 2019