

# Engine 85 SX 2021 2021

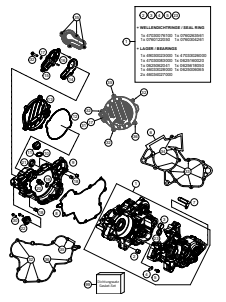
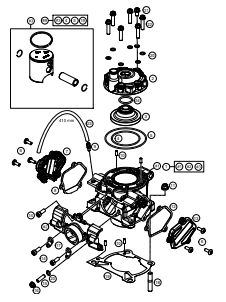
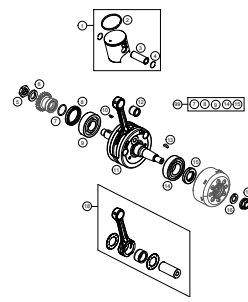
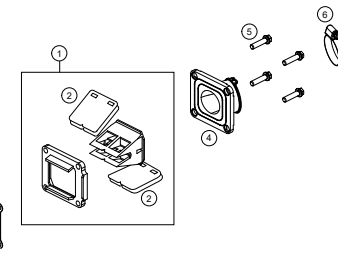
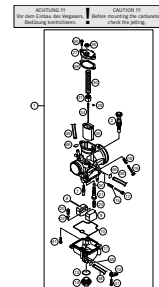
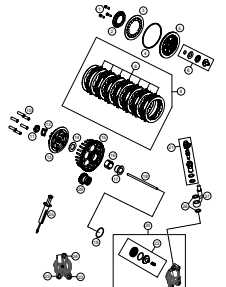
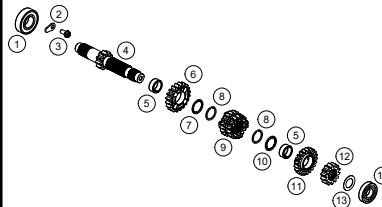
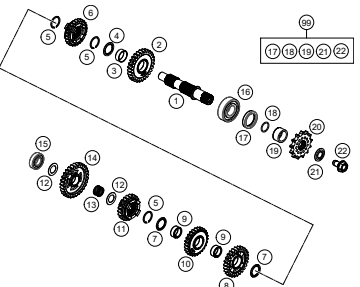
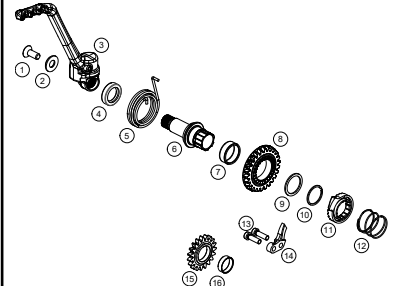
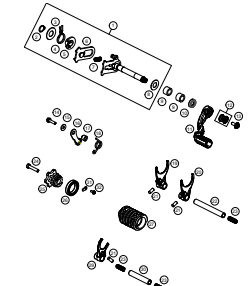
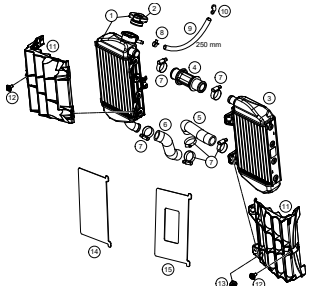
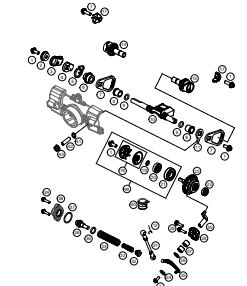
ART.-NR.: 080404UEN

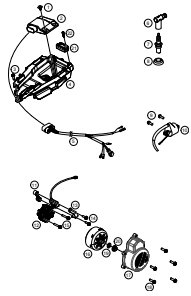


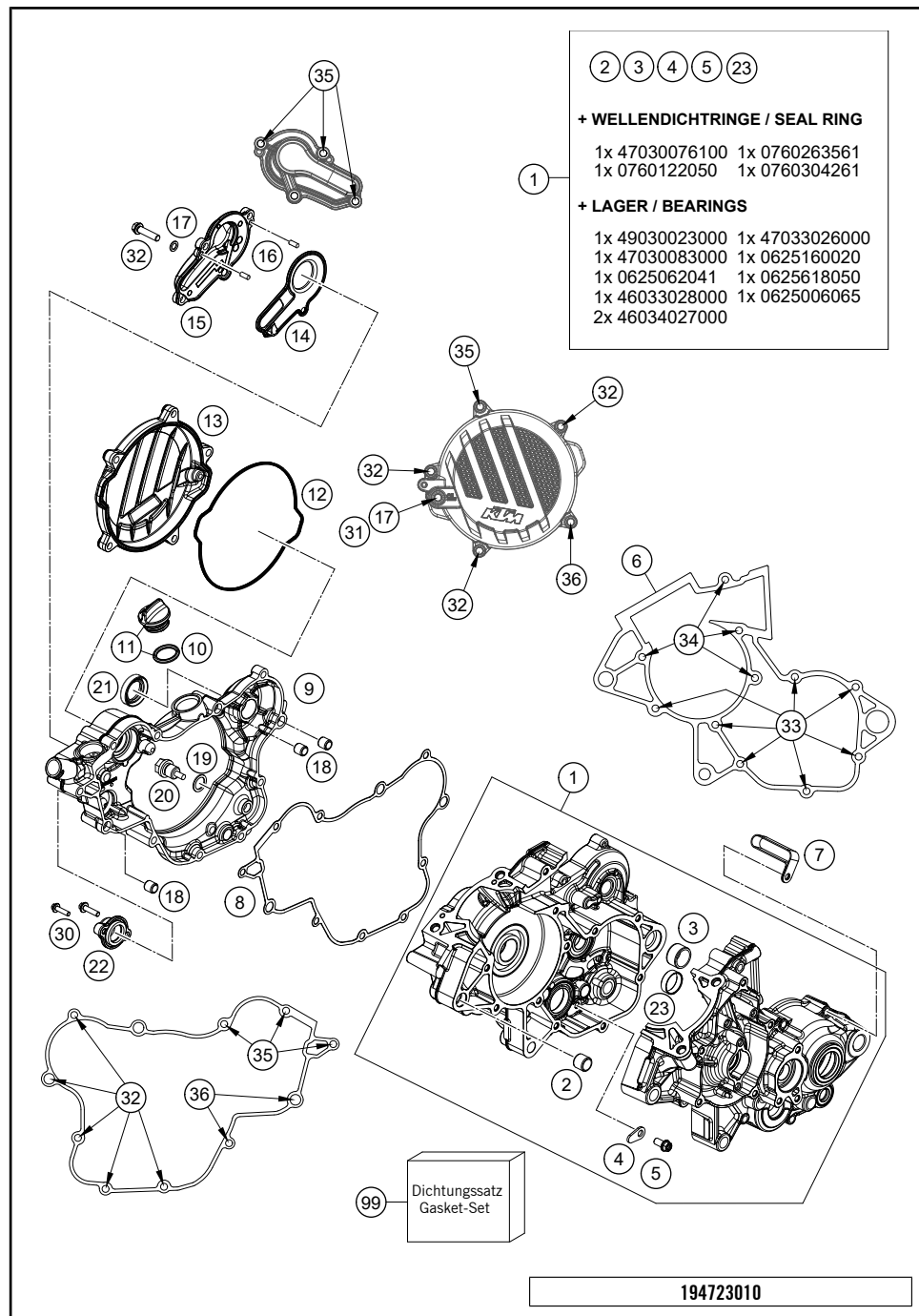


All information contained is without obligation. KTM Sportmotorcycle GmbH particularly reserves the right to modify any equipment, technical specifications, prices, colors, shapes, materials, services, service work, constructions, equipment and the like so as to adapt them to local conditions or to cancel any of the above items, all without previous announcement and without giving reasons. KTM may stop manufacturing certain models without previous notice. KTM shall not be held liable for any deviations of availability and/or ability to deliver, illustrations, descriptions, printing and/or other errors. The illustrated models partly contain extra equipment, which is not applied to standard models.

© by KTM Sportmotorcycle GmbH, Mattighofen AUSTRIA; All rights reserved; Reprint, also in extracts, with written allowance of KTM Sportmotorcycle GmbH, Mattighofen only.

<p><b>ENGINE CASE</b></p>  <p><b>3</b></p>	<p><b>CYLINDER</b></p>  <p><b>4</b></p>	<p><b>CRANKSHAFT, PISTON</b></p>  <p><b>5</b></p>	<p><b>REED VALVE CASE</b></p>  <p><b>6</b></p>
<p><b>CARBURETOR</b></p>  <p><b>7</b></p>	<p><b>CLUTCH</b></p>  <p><b>9</b></p>	<p><b>TRANSMISSION I - MAIN SHAFT</b></p>  <p><b>10</b></p>	<p><b>TRANSMISSION II - COUNTERSHAFT</b></p>  <p><b>11</b></p>
<p><b>KICK STARTER</b></p>  <p><b>12</b></p>	<p><b>SHIFTING MECHANISM</b></p>  <p><b>13</b></p>	<p><b>COOLING SYSTEM</b></p>  <p><b>14</b></p>	<p><b>EXHAUST CONTROL</b></p>  <p><b>15</b></p>

<p><b>IGNITION SYSTEM</b></p>  <p><b>17</b></p>			



POS	PARTNUMBER	PARTNAME	PIECE
1	47230000144	Engine case cpl.	1
2	54630027000	DOWEL BUSHING 13,8X11X12	1
3	54830027100	Dowel, 21x12	1
4	54634049000	RETAINING PLATE	2
5	0025060126S	Hex collar screw M6x12 ISA30 self-lockin	2
6	47230039000	Crankcase cover gasket	1
7	55430090000	Bracket for bleeding tube	1
8	47230025000	Gasket inner clutch cover	1
9	47230001100	Inner clutch cover	1
10	0770191015	O-RING 19,00X3,00 NBR	1
11	79430020033	OIL FILLER CAP M24x3 WITH O-R	1
12	47230027000	Clutchcover gasket	1
13	4723002600015	Clutch cover cpl.	1
14	47235053000	Gasket with supportheet	1
15	47235052000	Waterpump cover	1
16	0402040980	NEEDLE ROL.DIN5402 NRB 4X9,8	2
17	0603061001	CU-SEAL RING DIN7603-6X10X1	2
18	49030090100	DOWEL 9,8 X7X10	3
19	58038022000	CU-SEAL RING DIN7603-12X18X1,5	1
20	58030021100	oil drain plug with magnet	1
21	0760193070	SHAFT SEAL RING 19X30X7 B	1
22	54637070100	COVER LID 250-380'98	1
23	50433024050	BUSHING IDLER GEAR	1
30	0014050203	HH COLLAR SCREW M 5X20 WS=6	2
31	0025060106	HH collar screw M6x10 TX30	1
32	0025060256	HH collar screw M6x25 TX30	9
33	0025060456	HH COLLAR SCREW M6X45 TX30	7
34	0025060506	HH collar screw M6x50 TX30	4
35	0025060606	HH collar screw M6x60 TX30	4
36	0025060556	HH collar screw M6x55 TX30	2
99	47230099000	Gasket set 85 SX 2018	1

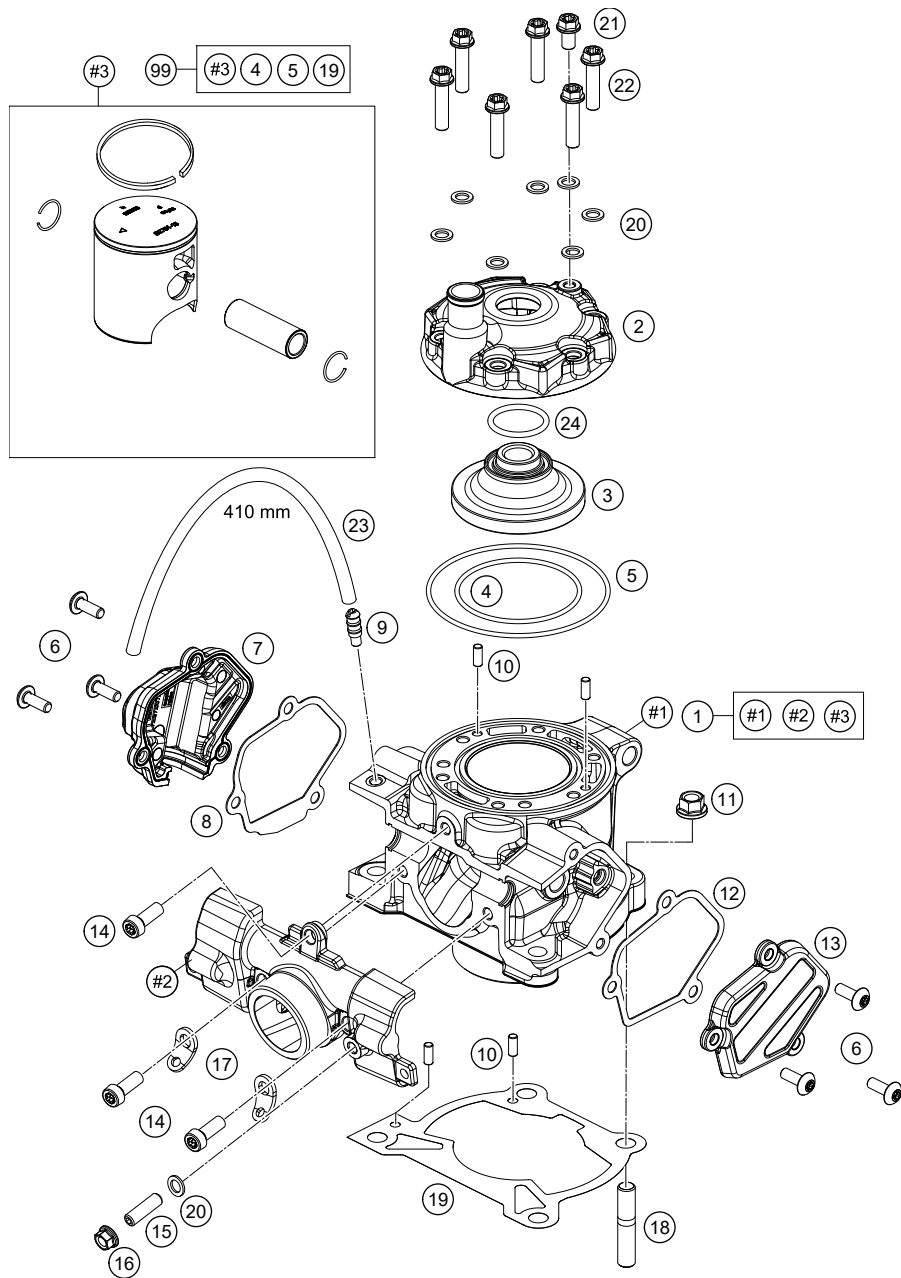
54364

\* NEW PART

X ON DEMAND

# CYLINDER

Engine 85 SX 2021 2021



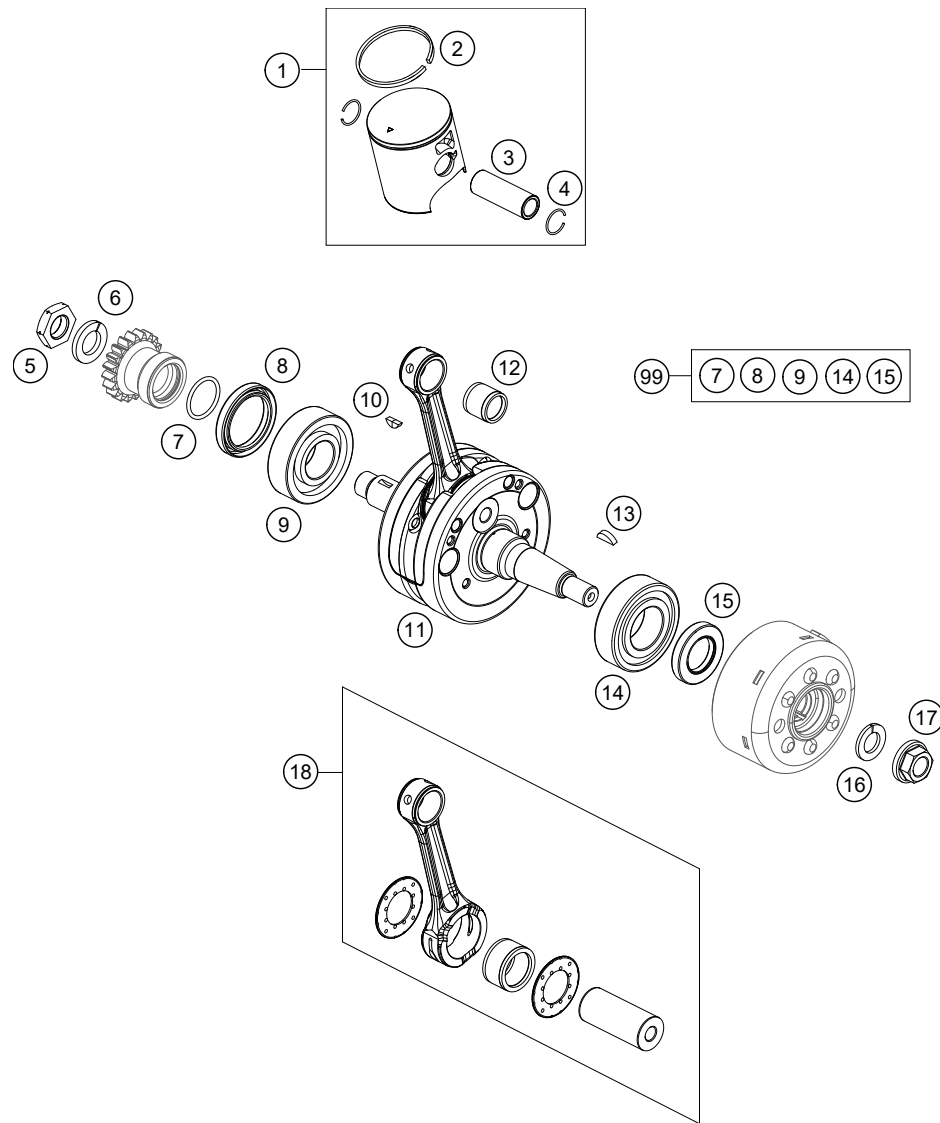
184723040

POS	PARTNUMBER	PARTNAME	PIECE
1	47230038000	Cylinder + piston 85SX/TC85	1
2	47230006000	Cylinder head	1
3	47230060100	Combustion chamber inlay	1
4	0770540020	O-RING 54X2 VITON	1
5	0770800021	O-RING 80,00X2,00 VITON	1
6	58605083014	SCREW M5X14 TORX 25 07	6
7	4723700700033	Exhaust regulation cover rh	1
8	47237008000	Exhaust ctrl cover gasket rhs	1
9	58336020090	VACUUM CONNECTION M 6X1	1
10	0402040980	NEEDLE ROL.DIN5402 NRB 4X9,8	4
11	46030045000	flanged nut M8 WS10	4
12	47237006000	Exhaust ctrl cover gasket lhs	1
13	4723700500033	Exhaust regulation vover lh	1
14	014580060166	SHCS ISO 14580 M6x16	3
15	0913060203	THREAD PIN DIN0913-M 6X20	1
16	77336088106	COLLAR NUT M6X1 SW8	1
17	51005074000	RETAINING PLATE	2
18	0835080256	STUD DIN0835-M 8X25 10.9	4
19	47230035020	Cylinder gasket	x
19	47230035025	Cylinder gasket	x
19	47230035040	Cylinder gasket	x
19	47230035050	Cylinder gasket	x
19	47230035075	Cylinder gasket	x
20	0603061001	CU-SEAL RING DIN7603-6X10X1	8
21	0025060106	HH collar screw M6x10 TX30	1
22	0025060256	HH collar screw M6x25 TX30	6
23	50335030001	PVC-HOSE 6X9	1
24	07702300251	O-RING 23,00X2,5 NBR 70 SH	1
99	00050000247	PISTON KIT GR.I 85 SX/TC	x
99	00050000248	PISTON KIT GR.II 85 SX/TC	x

52091

\* NEW PART

X ON DEMAND



POS	PARTNUMBER	PARTNAME	PIECE
1	47230007100 I	Piston cpl. I	1
1	47230007100 II	Piston cpl. II	1
2	47030030000	PISTON RING 85 SX 2003	1
3	47230033000	Piston pin	1
4	47030074000	WIRE LOCK RING 85 SX 2003	2
5	47230029000	Nut primary drive gear	1
6	47230029014	Detent edged ring M14	1
7	0770210020	O-RING 21X2	1
8	0760304261	OIL SEAL	1
9	47030083000	BALL BEARING 22X52X15	1
10	0888030037	WOODRUFF KEY DIN6888-3X3,7	1
11	47230018000	Crankshaft cpl.	1
12	47030034000	NEEDLE BEARING KBK 14X18X17 03	1
13	0888030050	WOODRUFF KEY DIN6888-3X5X13	1
14	49030023000	cylindrical roller bearing NJ205	1
15	47030076100	SEAL SHAFT RING 20X35X6 BTSL	1
16	50230029012	LOCKING RING VSK 12	1
17	49030021000	COLLAR NUT M12X1 R/S	1
18	47030015300	CONNECTING ROD REPAIR SET	1
99	00050002318	Crankshaft rep. kit 85	1

184723060

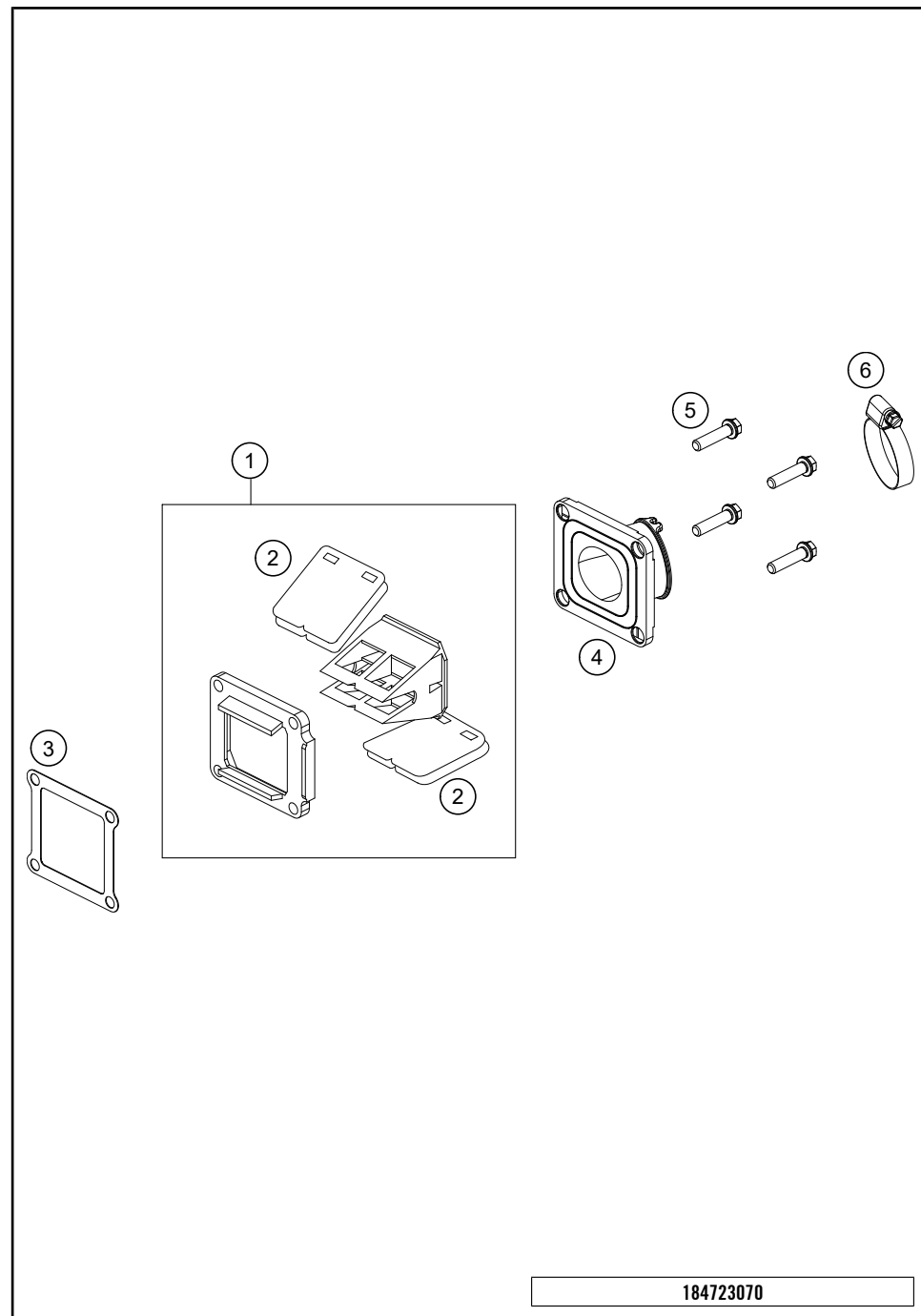
52092

\* NEW PART

X ON DEMAND

# REED VALVE CASE

Engine 85 SX 2021 2021



POS	PARTNUMBER	PARTNAME	PIECE
1	47030051144	REED VALVE ASSY CPL.85 SX 2009	1
2	47030052144	REED VALVE CPL. 85 SX 2009	1
3	47230049000	Gasket reed valve	1
4	47230050000	Intake flange	1
5	0025060256	HH collar screw M6x25 TX30	4
6	51230061000	CLAMP 40/12 GEMI	1

184723070

19304

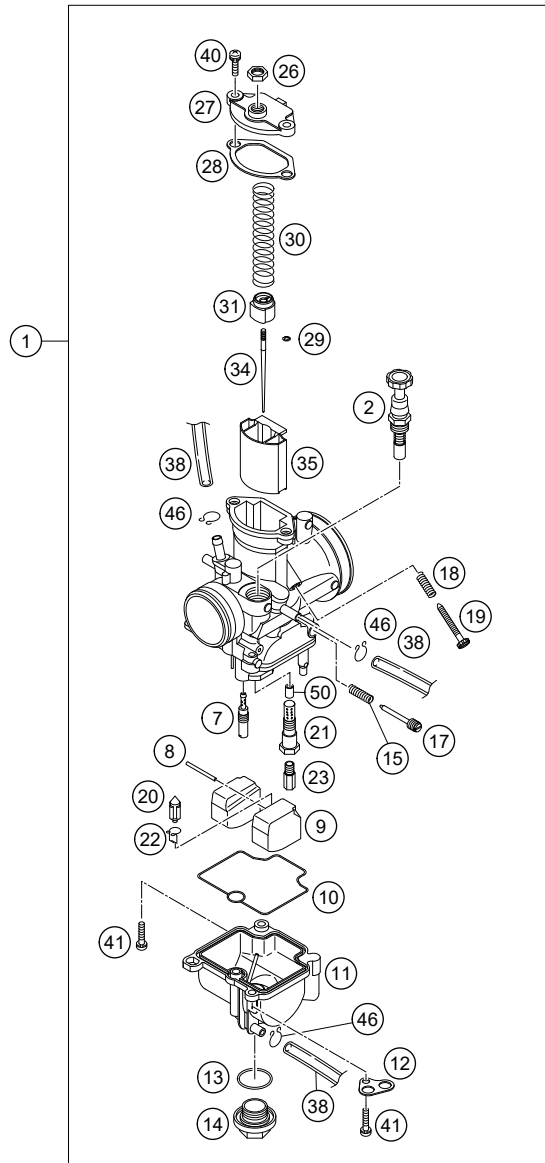
\* NEW PART

X ON DEMAND



**ACHTUNG !!!**  
Vor dem Einbau des Vergasers,  
Bedüsung kontrollieren.

**CAUTION !!!**  
Before mounting the carburetor,  
check the jetting.



187253110

POS	PARTNUMBER	PARTNAME	PIECE
1	47231001044	Carburetor Keihin PWK 28 18	1
2	54631245000	STARTER PISTON CPL.	1
7	54531607040	IDLE JET 40 KEIHIN	x
7	54531607042	IDLE JET 42 KEIHIN	x
7	54531607045	IDLE JET 45 KEIHIN	x
7	54531607048	IDLE JET 48 KEIHIN	1
7	54531607050	IDLE JET 50 KEIHIN	x
7	54531607052	IDLE JET 52 KEIHIN	x
8	57331008000	ARM PIN FLOAT	1
9	47031009000	FLOAT CPL. PWK28 03	1
10	47031010000	FLOAT CHAMBER GASKET	1
11	72531011000	FLOAT CHAMBER COMP. ASSY	1
12	54531612100	RETAINING PLATE FOR BLEEDER	2
13	0770180230	O-RING 18,00X2,30 NBR 70	1
14	54531699000	PLUG M 18X1	1
15	54531615000	SPRING FOR ADJUSTMENT SCREW	1
17	54531617000	ADJUSTMENT SCREW	1
18	54631118000	SPRING	1
19	54631219100	ADJUSTMENT SCREW M 5	1
20	47031020000	FLOAT NEEDLE CPL.	1
21	72531022000	NEEDLE JET HOLDER 14	1
22	54531621000	CLAMP	1
23	54531623138	Main Jet 138 Keihin	x
23	54531623140	MAIN JET GR 140	x
23	54531623142	MAIN JET 142 KEIHIN	1
23	54531623145	Main jet 145	x
23	54531623148	MAIN JET 148 KEIHIN	x
23	54531623150	MAIN JET 150 KEIHIN	x
23	54531623152	MAIN JET 152 KEIHIN	x
26	52031126000	HEXAGON NUT M 6X0,75 DIN0439	1
27	47031027000	CARBURETOR COVER PWK28 03	1
28	47031028000	CARBURETOR COVER GASKET PWK28	1
29	54531629000	CLIP FOR JET NEEDLE	1
30	47031030000	THROTTLE VALVE SPRING	1
31	47031031000	SPRING CAP	1
34	47231034000	Jet needle Keihin NRKA	x
34	47231034100	Jet needle Keihin NRKB	x
34	47231034200	Jet Needle Keihin NRKC	1

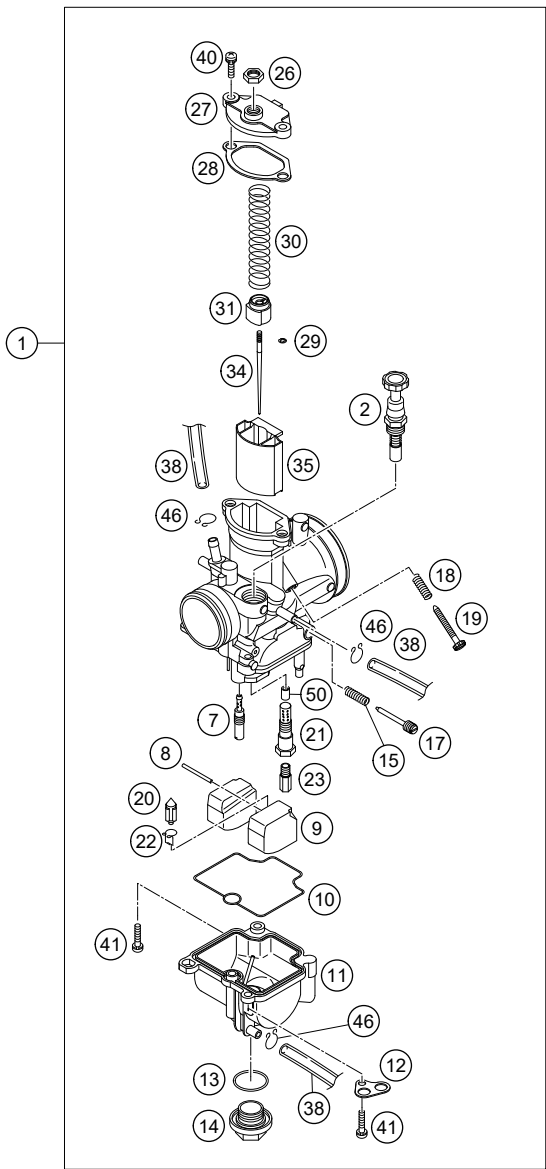
47990

\* NEW PART

X ON DEMAND

**ACHTUNG !!!**  
Vor dem Einbau des Vergasers,  
Bedüsung kontrollieren.

**CAUTION !!!**  
Before mounting the carburetor,  
check the jetting.



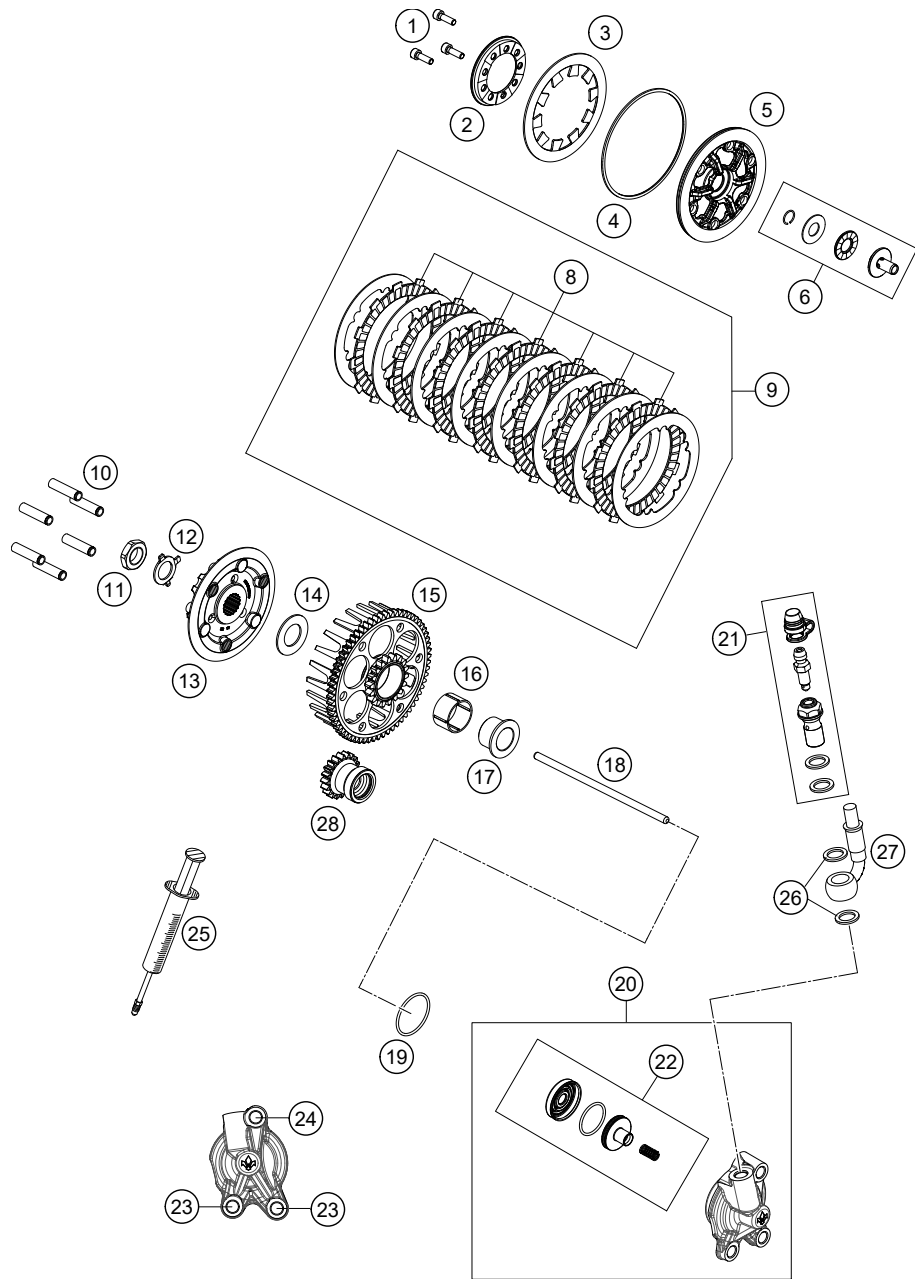
187253110

POS	PARTNUMBER	PARTNAME	PIECE
34	47231034300	Jet needle Keihin NRKD	X
34	47231034400	Jet needle Keihin NRKE	X
34	47231134000	Jet needle Keihin NRJA	X
34	47231134100	Jet needle Keihin NRJB	X
34	47231134200	Jet needle Keihin NRJC	X
34	47231134300	Jet needle Keihin NRJD	X
34	47231134400	Jet needle Keihin NRJE	X
34	54531636012	"Jet needle Keihin ""NRJC"""	X
35	47231035000	"Throttle Valve ""3.0"" Keihin"	1
38	31007007101	PVC-HOSE 4X6MM	2
40	0016040163	HH COLLAR SCREW M 4X16 WS=6	2
41	0985040163	FLAT HEAD SCREW DIN7985-M 4X16	2
46	54531696000	CLAMP 6 MM	5
50	47231021000	Needle Jet	1

47990

\* NEW PART

X ON DEMAND



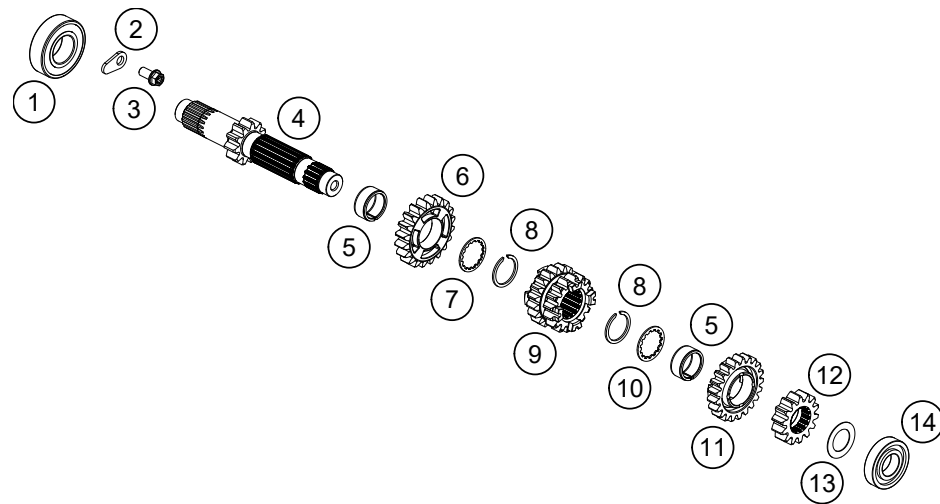
POS	PARTNUMBER	PARTNAME	PIECE
1	0912050163	AH SCREW DIN0912-M 5X16	3
2	47232006000	Spring disk	1
3	47232005000	Clutch spring 58x97.1x1.5	1
4	47232013000	Inner ring 94x99x1.5	1
5	47232003000	coupling pressure plate	1
6	78132057144	PRESSURE PIECE CPL.	1
8	47232011000	lining disc 1,95mm	7
9	47232010033	disc pack	1
10	50532004100	Sleeve 7.95x31.65	6
11	47232019000	Hexagon nut M16x1,5	1
12	47232018000	Lock washer	1
13	47232002100	Inner clutch hub	1
14	47232017000	Support disk	1
15	47232001164	clutch basket	1
16	0405263017	Needle cage K263017	1
17	47232015000	Collar 20x26x19	1
18	47232054000	Rod	1
19	0770300015	O-RING 30,00X1,50 NBR 70	1
20	72132061044	Output cylinder cpl.	1
21	72032064000	BLEEDER SCREW CPL.	1
22	72032066000	PISTON CPL.	1
23	0025060166	HH collar screw M6x16 TX30	2
24	0025060256	HH collar screw M6x25 TX30	1
25	50329050000	VENT INJEKTION HYDR. CLUTCH	1
26	0603082121	SEAL RING CU DIN7603- 8X12X1	2
27	47232063000	Clutch line	1
28	47232023020	Gear primary drive	1

194723210

54365

\* NEW PART

X ON DEMAND



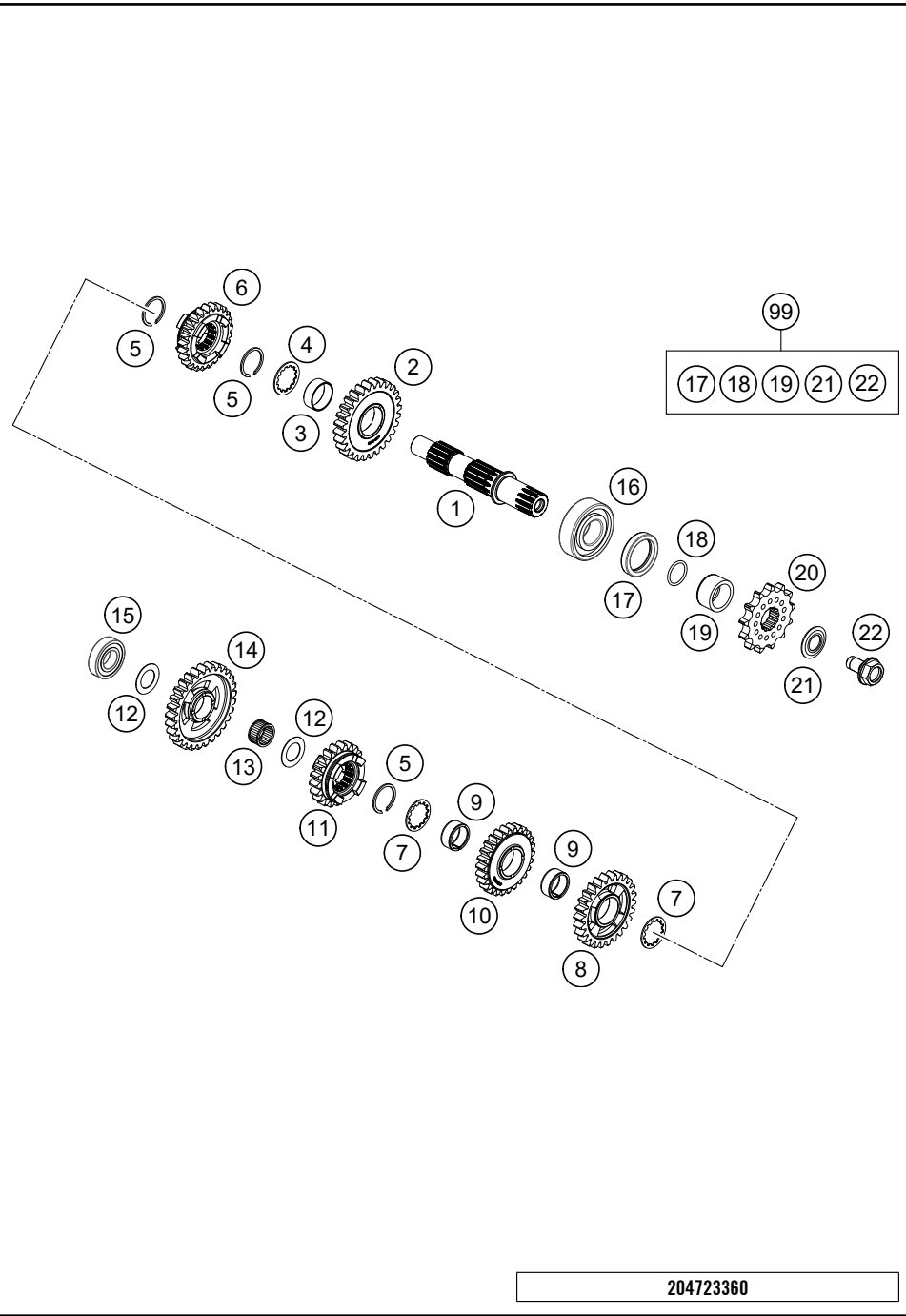
POS	PARTNUMBER	PARTNAME	PIECE
1	46033028000	GROOVED BALL BEARING 20X42X12	1
2	54634049000	RETAINING PLATE	1
3	0025060126	HH collar screw M6x12 TX30	1
4	47233001050	Input shaft	1
5	50133099000	NEEDLE CAGE K18X22X10 PARTED	2
6	47233006000	Idler gear 6 th.	1
7	47233043000	thrust washer 19.1x24.5x1	1
8	0417200120	CIRCLIP WS20	2
9	47233003000	Sliding gear 3 rd.	1
10	47233042000	thrust washer 19.1x24.5x1	1
11	47233005000	Idler gear 5 th.	1
12	47233002000	Fixed gear 2nd	1
13	47133041000	Thrust washer 16.1x26x0,5	1
14	47033026000	BALL BEARING 16X35X8	1

184723330

19318

\* NEW PART

X ON DEMAND



POS	PARTNUMBER	PARTNAME	PIECE
1	47233010150	Countershaft	1
2	47233012000	Idler gear 2 nd.	1
3	47233021000	Bushing idler gear	1
4	47233041000	Thrust washer 19.2x27.1x1	1
5	0417210120	CIRCLIP SW21	2
6	47233015000	Sliding gear 5 th.	1
7	47233040000	Thrust washer 22x1.50x13x9H	2
8	47233013000	Idler gear 3 rd.	1
9	50133099000	NEEDLE CAGE K18X22X10 PARTED	2
10	47233014000	idler gear 4 th.	1
11	47233016000	sliding gear 6 th.	1
12	47133043000	Thrust washer 15.2x25x0.5	2
13	47033099000	NEEDLE BEARING K15X19X10S	1
14	47233011000	Idler gear 1 st.	1
15	0625160020	BALL BEARING 16002 C3	1
16	0625062041	BALL BEARING 6204 JR2 C4	1
17	0760263561	SHAFT SEAL RING 26X35X6BSL NB	1
18	0770020180	O-RING 18,77X1,78 NBR 70	1
19	47233030000	Spacer chain pinion	1
20	47233029013	Sprocket 13t	1
21	47233034000	Spring washer 17,2x35x1,5	1
22	59033029000	HH COLLAR SCREW M10X18 10.9	1
99	00050000990	Repair kit output shaft 85	1

204723360

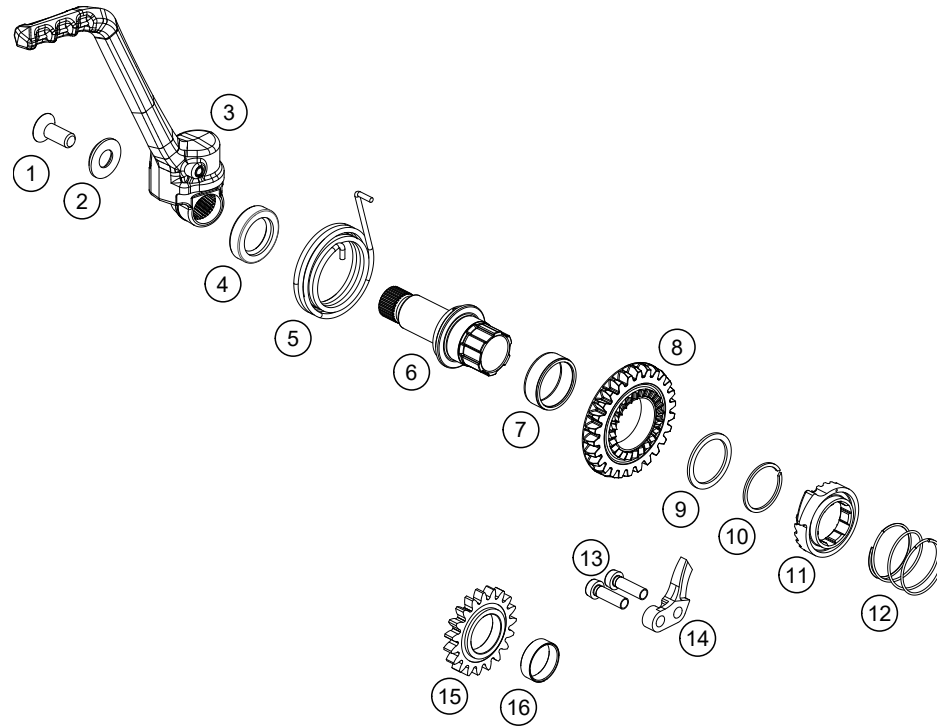
52087

\* NEW PART

X ON DEMAND

# KICK STARTER

Engine 85 SX 2021 2021



POS	PARTNUMBER	PARTNAME	PIECE
1	0019080206S	FLAT HEAD SCREW M. ISA45 M8X20	1
2	54633037000	WASHER 8MM GALVANIZED	1
3	47233070044	Kick starter cpl.	1
4	0760193070	SHAFT SEAL RING 19X30X7 B	1
5	50433054200	Kick-starter spring	1
6	79233050000	KICK STARTER SHAFT	1
7	0405252910	NEEDLE BEAR K 25X29X10	1
8	50533051026	Kickstart gear t26	1
9	54833044000	STOP DISC 25X31X1,5	1
10	0417025000	CIRCLIP SW25	1
11	50433052000	KICK STARTER RATCHET	1
12	58033028000	RATCHET GEAR SPRING 1,2 MM	1
13	014580060206S	Cyl. screw ISO 14580 M6x20 SS	2
14	59033069000	BUMP PART	1
15	50533053119	Starter idler gear 19 Z	1
16	50433024050	BUSHING IDLER GEAR	1

194723390

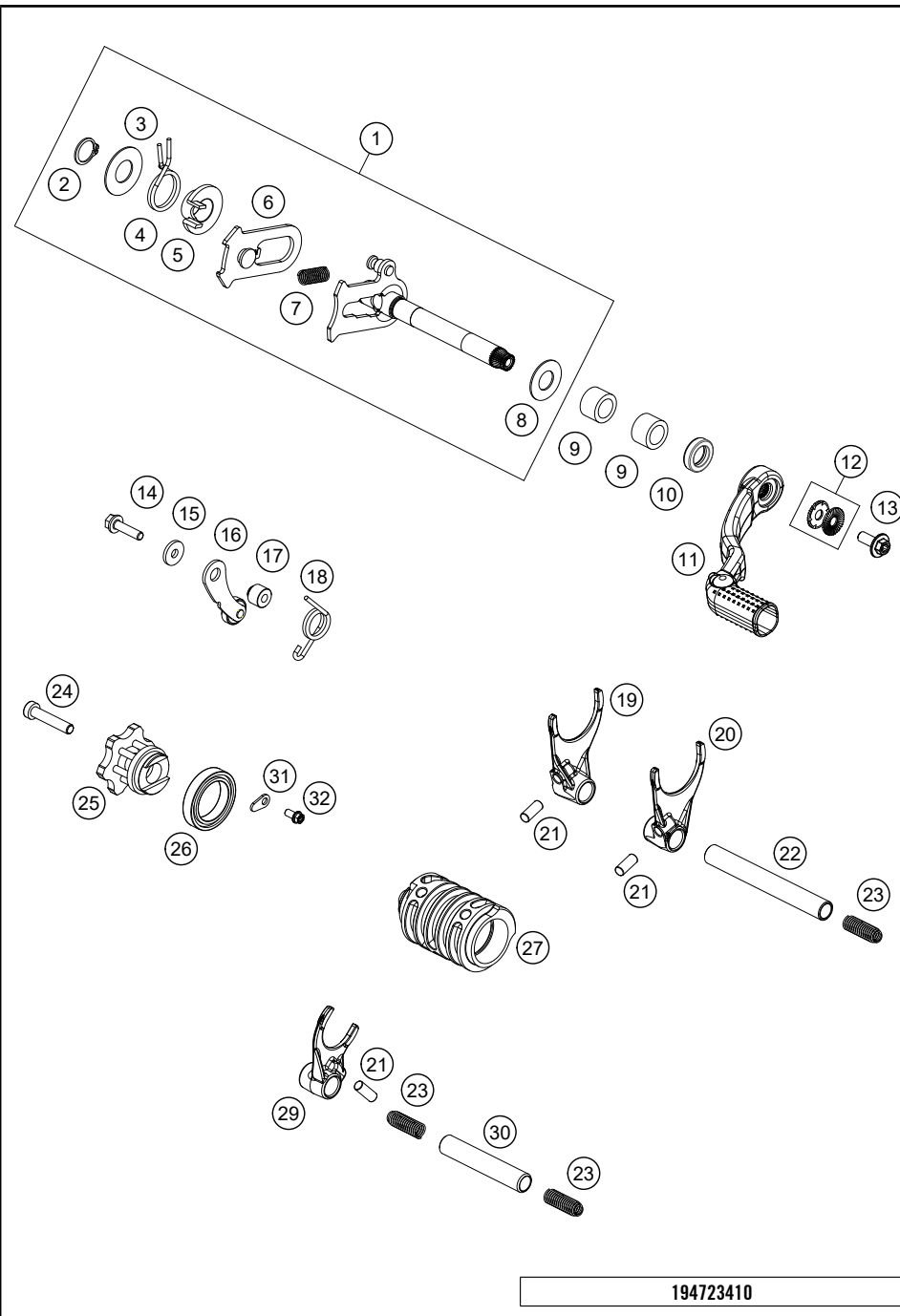
52089

\* NEW PART

X ON DEMAND

# SHIFTING MECHANISM

Engine 85 SX 2021 2021



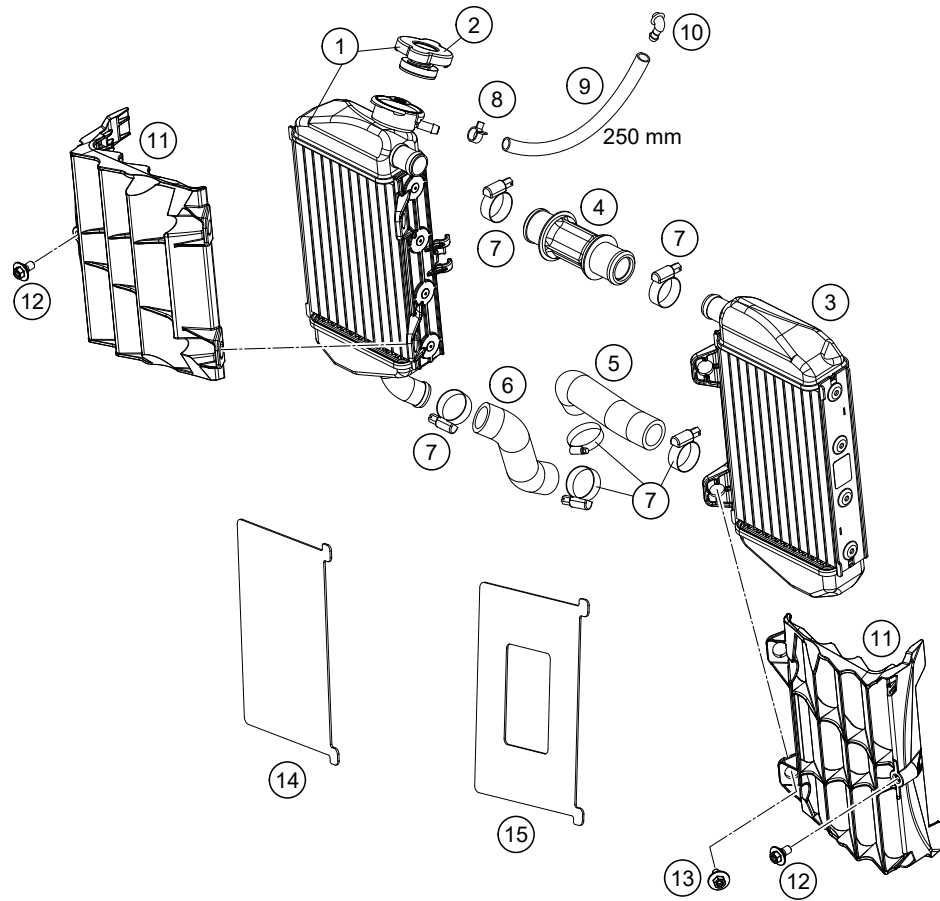
POS	PARTNUMBER	PARTNAME	PIECE
1	47234005044	Shift shaft cpl.	1
2	0471140100	retaining ring DIN 471 14x1	1
3	54634050000	STOP DISK 14X30X1	1
4	54834014000	RETURN SPRING 03	1
5	54634020000	SPRING GUIDE	1
6	79234008144	SLIDING PLATE CPL.	1
7	56534013100	TENSIONING SPRING 0,8MM	1
8	49033013000	STOP DISK 12,1X25X1	1
9	46034027000	NEEDLE BEARING 12X18X12 2002	2
10	0760122050	SHAFT SEAL RING 12X20X5 B	1
11	50434031000	SHIFT LEVER CPL.	1
12	50233041500	PAIR NORDLOCK WASHER M6	1
13	0024060156S	HH collar screw M6x15 TX30	1
14	0025050206	HH collar screw M5x20 TX30	1
15	0349000050	WASHER DIN7349-5X15X2	1
16	55434024000	LOCKING LEVER CPL.	1
17	54634052300	SLEEVE FOR LOCKING LEVER	1
18	50334023000	LOCATING LEVER SPRING 2,5MM'98	1
19	47234002000	Shift fork 1.-4. gear	1
20	47234003000	Shift fork 2.-3. gear	1
21	0402061480	NEEDLE ROLLER DIN5402 6X14,8	3
22	47234019000	Shift rail 11.8x80x8mm	1
23	58038023200	PRESSURE SPRING 0,9MM	3
24	0984060302	AH SCREW DIN6912 M 6X30	1
25	79234015100	Shift star cpl	1
26	0625618050	BALL BEARING 61805 C3	1
27	47234012044	Shift drum cpl.	1
29	47234001000	Shift fork 5.-6. gear	1
30	46234020000	SHIFTING RAIL MAIN SHAFT	1
31	54634049000	RETAINING PLATE	1
32	0025060126	HH collar screw M6x12 TX30	1

194723410

52093

\* NEW PART

X ON DEMAND



POS	PARTNUMBER	PARTNAME	PIECE
1	47235008000	Radiator right	1
2	79035016000	RADIATOR CAP 1,8 BAR	1
3	47235007000	Radiator left	1
4	47235025000	Radiator connector top	1
5	47235026000	Preformed hose engine	1
6	47235027000	Preformed hose water pump	1
7	10001020300	hose clamp 18-29	6
8	59007017000	CLAMP YDNAC 10096F (9,6MM)	1
9	50335030001	PVC-HOSE 6X9	x
10	51030022000	ANGLE PIECE 90 DEGREE M10X1	1
11	47235034000	Radiator protection	2
12	83008000012	special screw M6x12x3	2
13	0024060123	COLLAR SCREW M6X12 TX	4
14	47235033000	Radiator cover full	1
15	47235033100	Radiator cover half	1

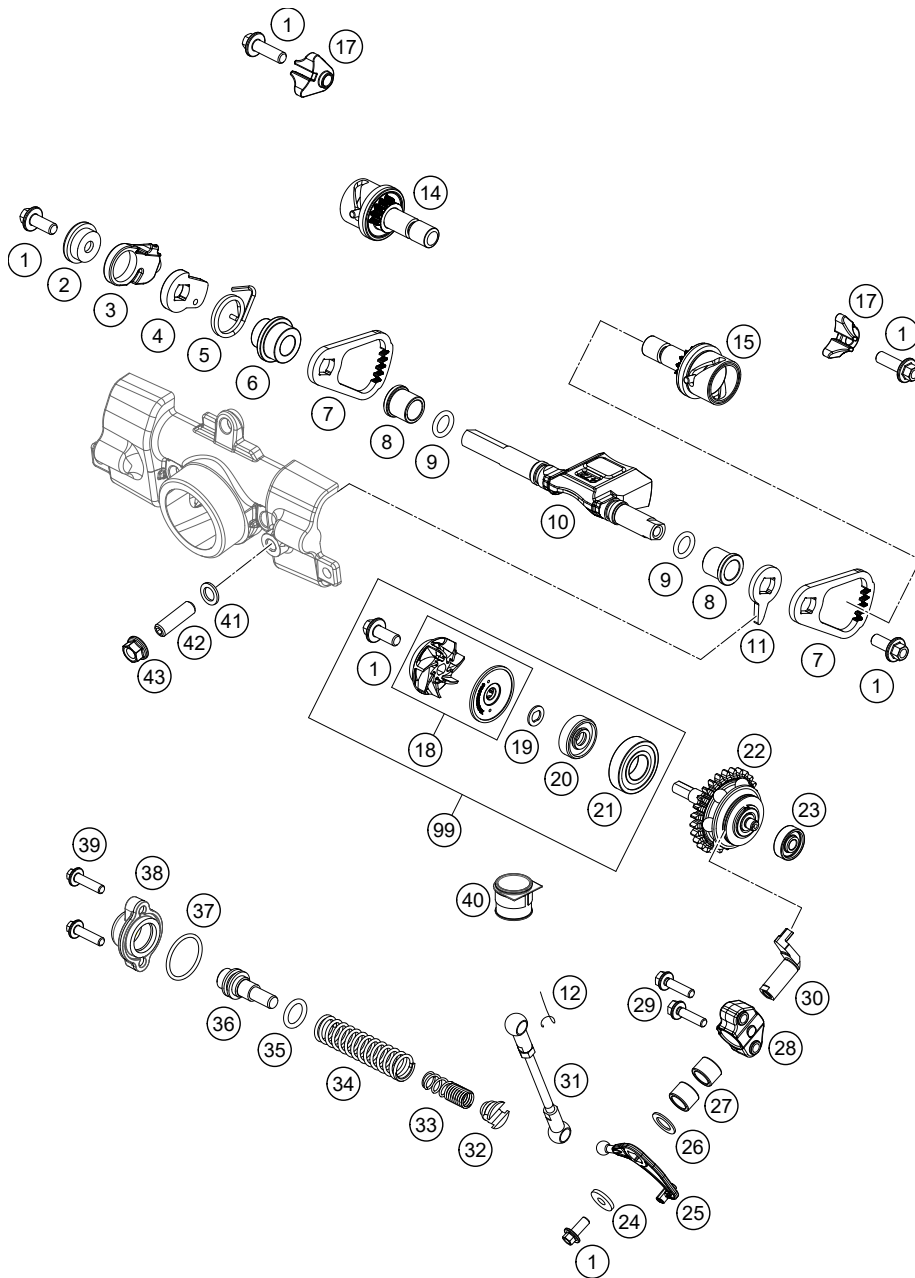
184723530

19370

\* NEW PART

X ON DEMAND





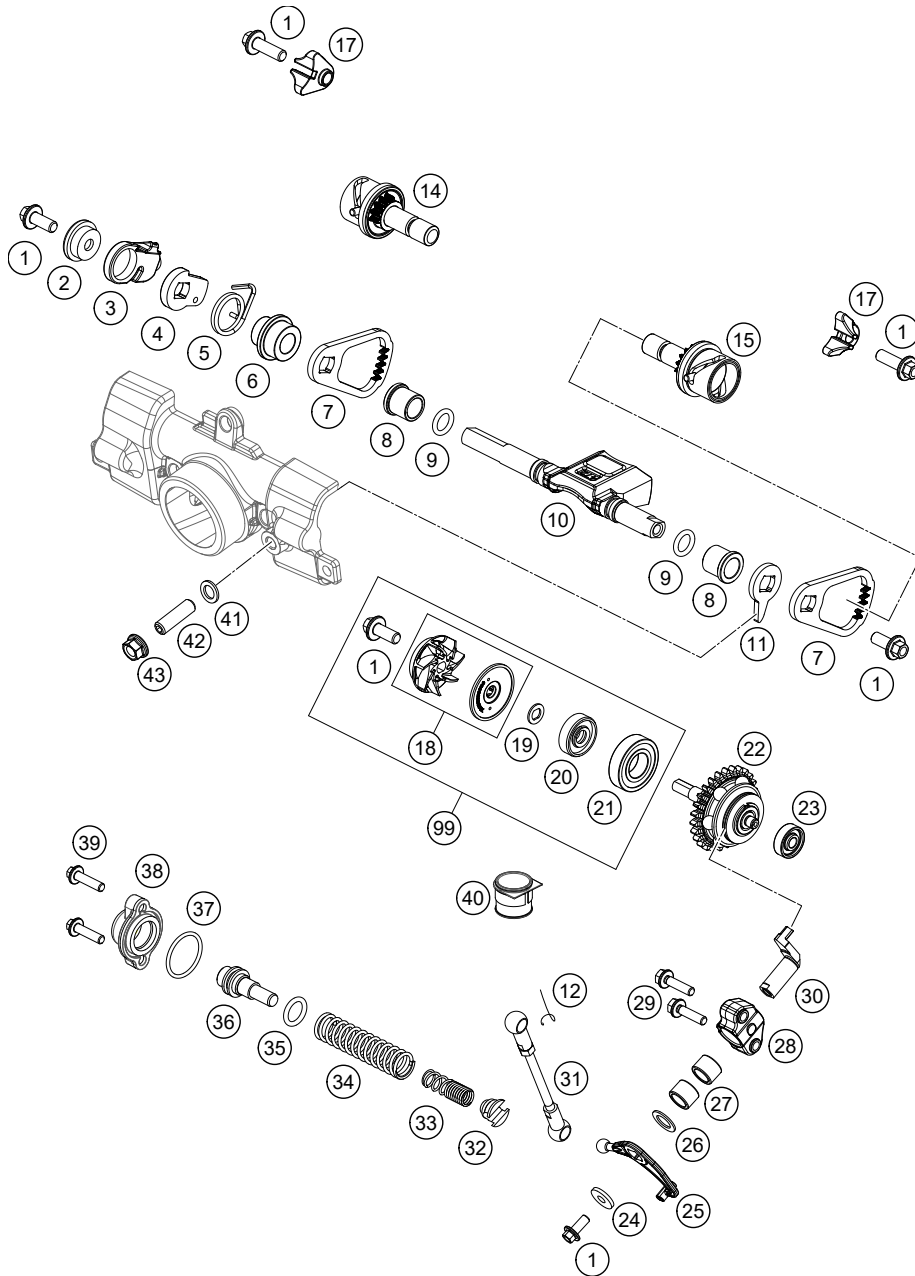
204723710

POS	PARTNUMBER	PARTNAME	PIECE
1	0014050123	HH COLLAR SCREW M 5X12 WS=6	6
2	47237068000	Bearing bush	1
3	47237077000	adjusting lever	1
4	47237036000	Attachment plate	1
5	47237066000	Overload spring	1
6	47237076000	Distance bush	1
7	47237067000	Gear segment	2
8	47237023000	Exhaust flap bushing	2
9	0770080201	O-Ring 8,00x2,0 viton	2
10	47237020000	Exhaust valve	1
11	47237085000	Limit plate	1
12	50237195055	SECURING DIN-71805-S-8	2
14	47237065033	Control valve, right cmpl.	1
15	47237064033	Control valve, left cmpl.	1
17	47237079000	guide piece	2
18	79235055044	WATER PUMP WHEEL CPL.	1
19	50435049000	PREFORMED WASHER	1
20	0760082472	SHAFT SEAL RING 8X24X7 A DUO	1
21	0625160020	BALL BEARING 16002 C3	1
22	47237050144	Centrifugal force governor cmpl.	1
23	0625006065	Ball bearing 696 DDM1 C3	1
24	0349000050	WASHER DIN7349-5X15X2	1
25	47237056100	Power valve control lever	1
26	0988101605	SHIM WASHER DIN988 10x16x0,5	1
27	0618101410	needle sleeve HK 1010 10x14x10	2
28	55437058000	BEARING SUPPORT	1
29	0025050256S	HH collar screw M5x25 TX30	2
30	47237057000	Adjusting lever 85/105	1
31	47237095144	Linkage cmpl.	1
32	54637071200	SPRING INSERT	1
33	50437069050	SUPPORT SPRING	1
34	47237072000	Setting spring	1
35	0770021120	O-RING 12,37X2,62 NBR70	1
36	54837075000	SPRING GUIDE 250/300	1
37	0770240020	O-RING 24,00X2,00 NBR70	1
38	54637070300	Closing cover 250-360	1
39	0014050203	HH COLLAR SCREW M 5X20 WS=6	2
40	47237091000	Sealing element	1

54366

\* NEW PART

X ON DEMAND



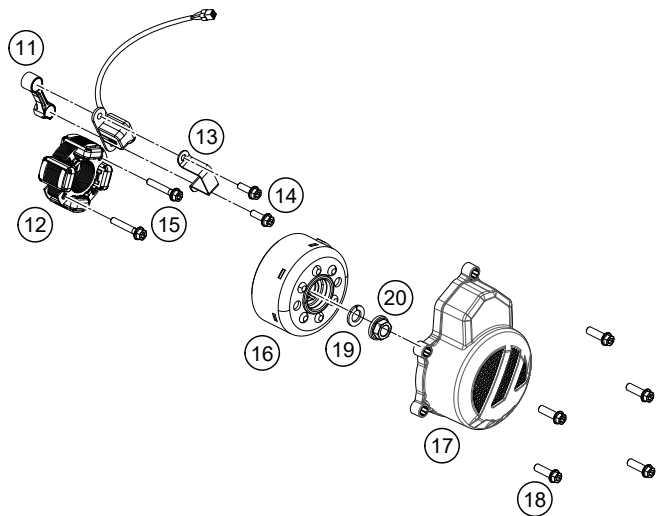
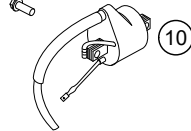
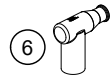
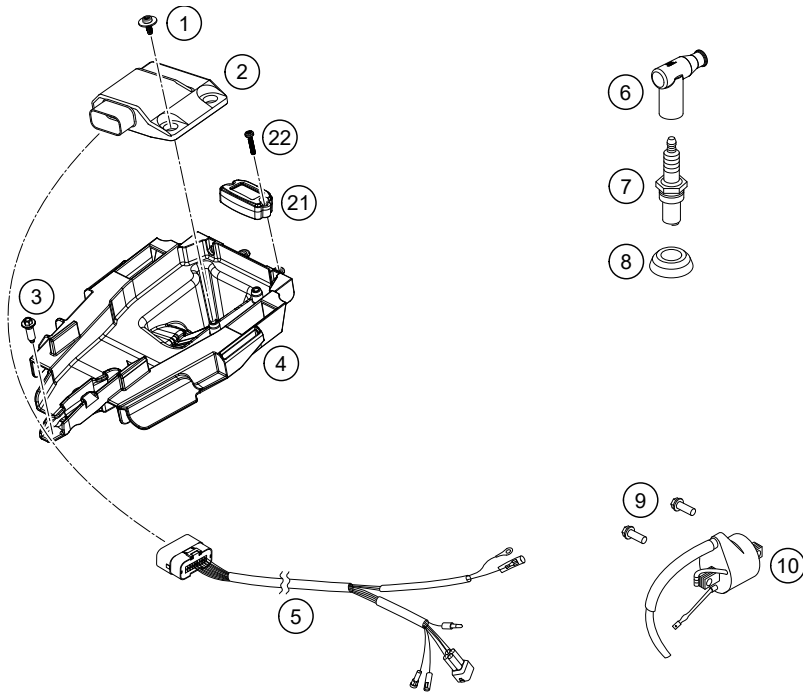
POS	PARTNUMBER	PARTNAME	PIECE
41	0603061001	CU-SEAL RING DIN7603-6X10X1	1
42	0913060203	THREAD PIN DIN0913-M 6X20	1
43	77336088106	COLLAR NUT M6X1 SW8	1
99	50435055015	WATER PUMP REP. KIT	1

204723710

54366

\* NEW PART

X ON DEMAND



POS	PARTNUMBER	PARTNAME	PIECE
1	0081645121	EJOT DELTA PT SCREW 45X12-Z	2
2	47239031100	CDI control unit 85SX	1
3	0017060205	SCREW FOR PLASTIC K60X20 SW6	1
4	47211094000	Electric compartment	1
5	54839032200	WIRING HARNESS FOR CDI 2-ST.07	1
6	47039090000	SPARK PLUG CAP NGK REINFORC.04	1
7	51539093000	SPARK PLUG BR9ECMVX	1
8	50439091000	SEALING SLEEVE	1
9	0026060186	COLLAR SCREW M6X18 ISA30	2
10	59039006000	IGNITIONCOIL "IG5128"	1
11	50439013000	DISTANCE UNIT	1
12	50439004000	STATOR	1
13	50439004010	PICKUP BRACKET	1
14	0014050163	HH COLLAR SCREW M 5X16 WS=6	2
15	0912050253	AH SCREW DIN0912-M 5X25	2
16	50439005000	ROTOR	1
17	47230002000	Ignitioncover	1
18	0025060206	HH collar screw M6x20 TX30	5
19	50230029012	LOCKING RING VSK 12	1
20	49030021000	COLLAR NUT M12X1 R/S	1
21	78112020050	HOUR METER	1
22	0081035183	Ejot delta PT screw 35X18	2

184723910

52345

\* NEW PART

X ON DEMAND

A large, empty rectangular box with a thin black border, occupying the majority of the page. It is intended for handwritten notes.

A large, empty rectangular box with a thin black border, occupying the majority of the page. It is intended for handwritten notes.

A large, empty rectangular box with a thin black border, occupying the majority of the page. It is intended for handwritten notes.



WWW.KTM.COM



KTM Sportmotorcycle GmbH  
5230 Mattighofen, Austria  
www.ktm.com



**KTM**\_POWERPARTS **KTM**\_POWERWEAR **KTM**\_ORIGINAL SPARE PARTS



080404UEN

Art. Nr.: 080404UEN 1. Jul 2020