

# Engine RC 125 2024

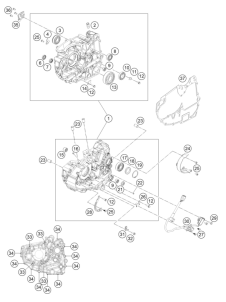
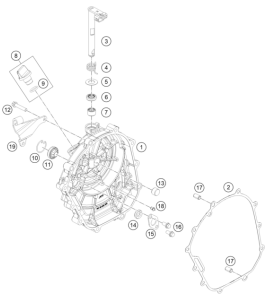
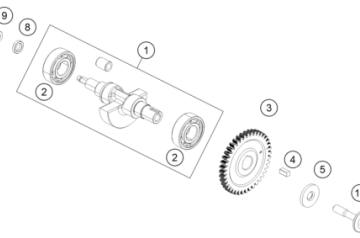
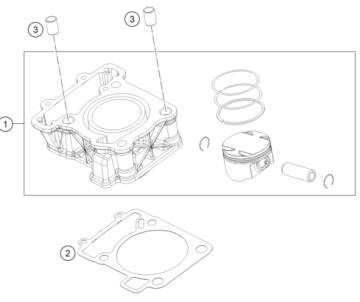
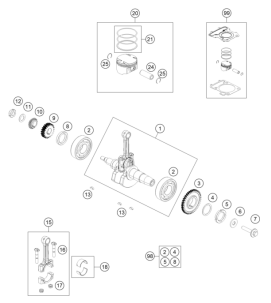
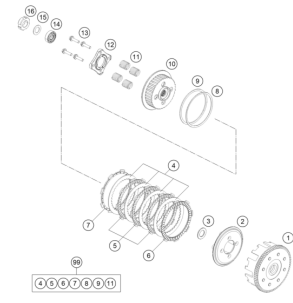
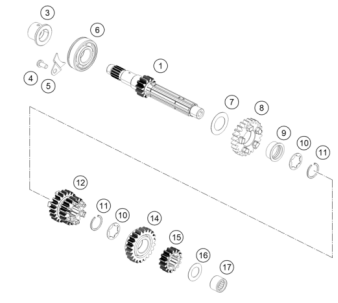
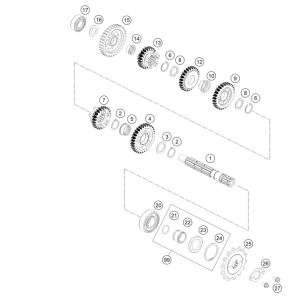
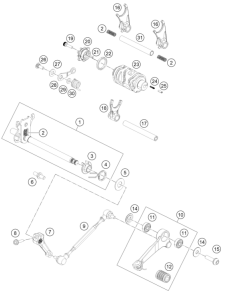
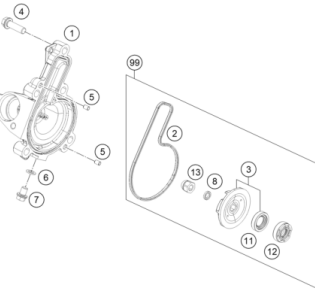
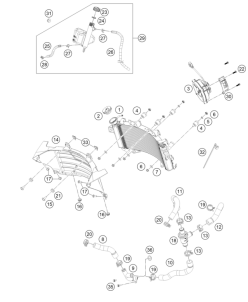
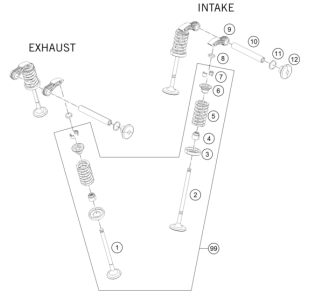
ART.-NR.: 081220XEN

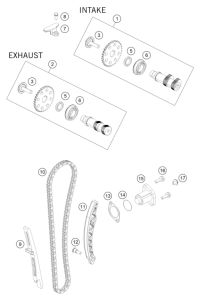
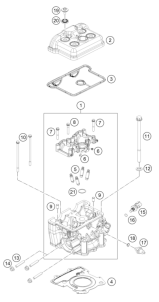
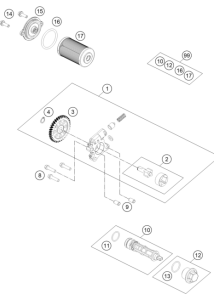
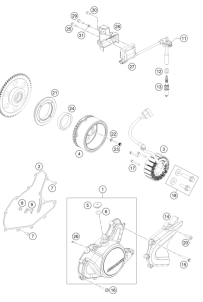
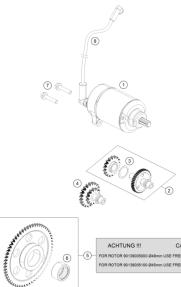
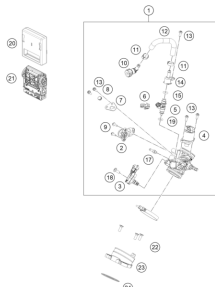


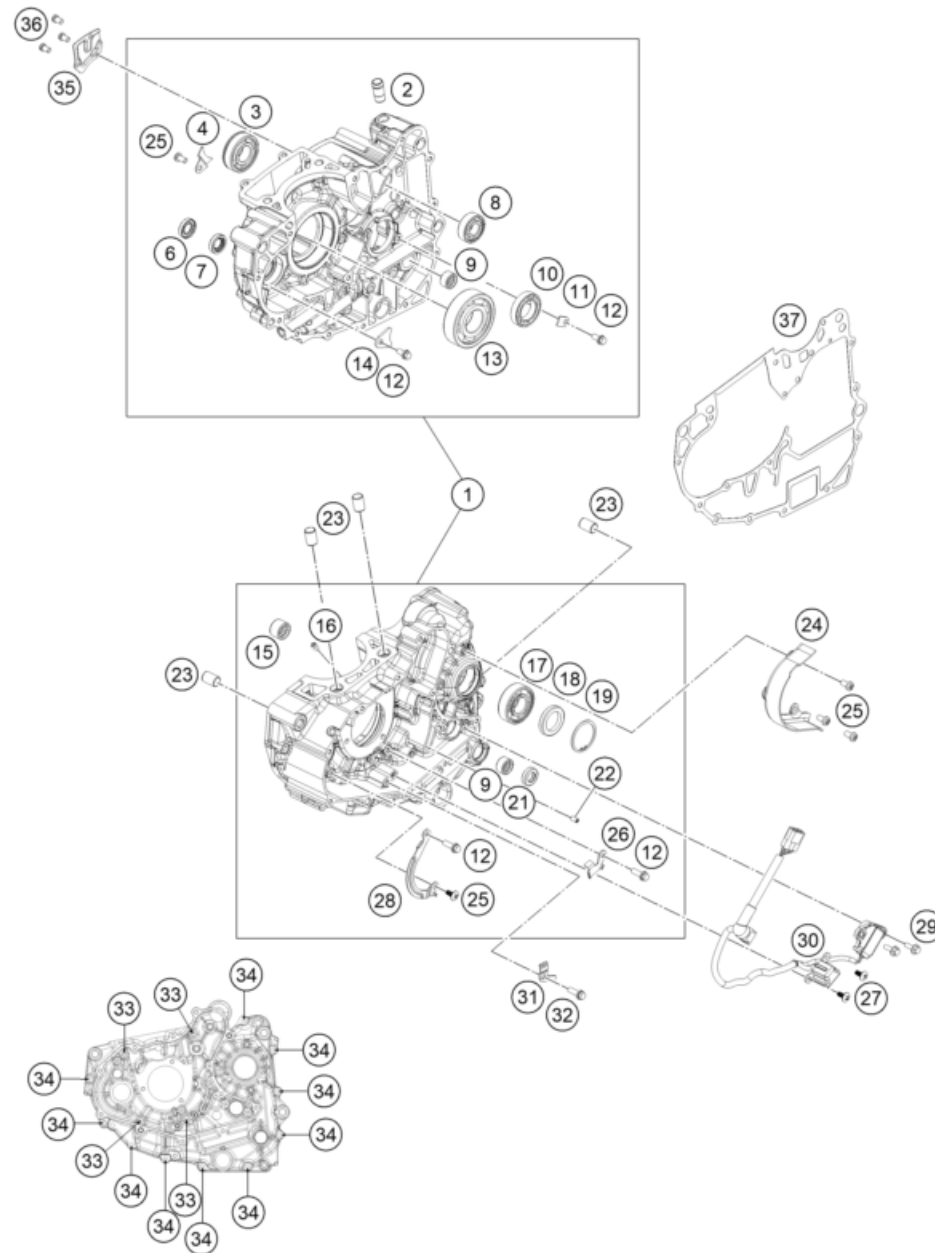


All information contained is without obligation. KTM Sportmotorcycle GmbH particularly reserves the right to modify any equipment, technical specifications, prices, colors, shapes, materials, services, service work, constructions, equipment and the like so as to adapt them to local conditions or to cancel any of the above items, all without previous announcement and without giving reasons. KTM may stop manufacturing certain models without previous notice. KTM shall not be held liable for any deviations of availability and/or ability to deliver, illustrations, descriptions, printing and/or other errors. The illustrated models partly contain extra equipment, which is not applied to standard models.

© by KTM Sportmotorcycle GmbH, Mattighofen AUSTRIA; All rights reserved; Reprint, also in extracts, with written allowance of KTM Sportmotorcycle GmbH, Mattighofen only.

<p><b>ENGINE CASE</b></p>  <p><b>3</b></p>	<p><b>CLUTCH COVER</b></p>  <p><b>4</b></p>	<p><b>BALANCER SHAFT</b></p>  <p><b>5</b></p>	<p><b>CYLINDER</b></p>  <p><b>6</b></p>
<p><b>CRANKSHAFT, PISTON</b></p>  <p><b>7</b></p>	<p><b>CLUTCH</b></p>  <p><b>8</b></p>	<p><b>TRANSMISSION I - MAIN SHAFT</b></p>  <p><b>9</b></p>	<p><b>TRANSMISSION II - COUNTERSHAFT</b></p>  <p><b>10</b></p>
<p><b>SHIFTING MECHANISM</b></p>  <p><b>11</b></p>	<p><b>WATER PUMP</b></p>  <p><b>12</b></p>	<p><b>COOLING SYSTEM</b></p>  <p><b>13</b></p>	<p><b>VALVE DRIVE</b></p>  <p><b>14</b></p>

<p><b>TIMING DRIVE</b></p>  <p><b>16</b></p>	<p><b>CYLINDER HEAD</b></p>  <p><b>17</b></p>	<p><b>LUBRICATING SYSTEM</b></p>  <p><b>18</b></p>	<p><b>IGNITION SYSTEM</b></p>  <p><b>19</b></p>
<p><b>ELECTRIC STARTER</b></p>  <p><b>20</b></p>	<p><b>THROTTLE BODY</b></p>  <p><b>21</b></p>		



POS	PARTNUMBER		PIECE
1	93530000044	Kit Cr' Case KTM 200 MY20	1
2	90230022000	Pipe breather	1
3	J625062040	GROOVED BALL BEARING 6204	1
4	90130004002	LOCK WASHER F.BEARING DRIVE	1
6	J760122455	SHAFT SEALING RING 12X24X5,5	1
7	0760122406	Shaft seal ring 12x24x6	1
8	90130004003	BALL BEARING 15X35X11	1
9	J618131912	NEEDLE ROLLER BEARING HK1312	2
10	90130004004	Bearing ball	1
11	90130078000	LOCK WASHER	1
12	J01665060123S	Hex collar screw, M6x12	4
13	90130082000	BALL BEARING 63/2/8 HN3CNP	1
14	90230079000	STOPPER BALANCER SHAFT BEARING	1
15	J618152114	NEEDLE BEAR. HK1514RS 15X21X14	1
16	90130164000	OIL NOZZLE	1
17	J625062041	BALL BEARING 6204-Z/HN3	1
18	90230077000	OIL SEAL OUTPUT SHAFT	1
19	J472037150	CIRCLIP 37X1,5	1
21	90130003004	Seal - oil	1
22	90130058000	OILJET	1
23	90130003007	DOWEL D14	4
24	90130047000	CHAIN GUARD	1
25	J005060123S	SCREW PAN CROSS M6X12 PH SS	5
26	90130003005	CABLE SUPPORT BELOW	1
27	J011050133	HH COLLAR SCREW M5X13 SW8	2
28	90530003001	Bracket harness upper	1
29	J025050163S	FLANGED BOLT M5X16	2
30	93311023000	gear sensor	1
31	90140020002	BRACKET F. FREE WHEEL GEAR	1
32	0028060164	bolt flanged-m6x1x16xbrxprecoat	1
33	90130096000	Bolt flanged M6X60	4
34	J025060401	HH COLLAR SCREW M6X40	10
35	90630042000	BREATHER PLATE	1
36	90130042010	Screw M5X10	3
37	90630039000	ENGINE CASE GASKET	1

179013010

63786

\* NEW PART

X ON DEMAND

# CLUTCH COVER

Engine RC 125 2024



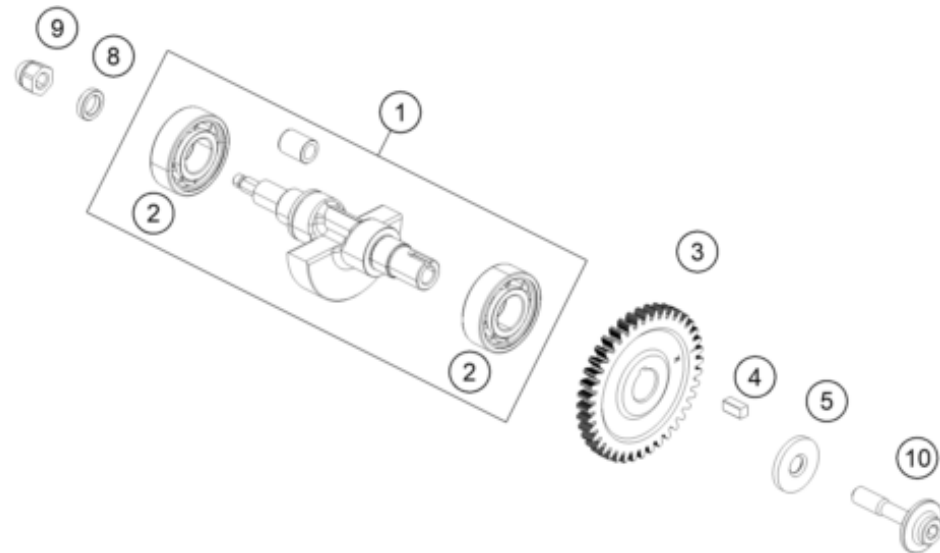
POS	PARTNUMBER		PIECE
1	93530026044	Clutch cover complete	1
2	93530027100	Clutch cover gasket	1
3	93532048033	Shaft	1
4	90132048004	SPRING F. RELEASE LEVER	1
5	90132048005	WASHER 12,5X24X0,8MM	1
6	90132051000	OIL SEAL RING	1
7	90132050000	needle bearing	1
8	90130020000	OIL PLUG CPL.	1
9	J770013824	O-RING 13,8X2,4	1
10	90130095001	WIRE CIRCLIP 28X1,5	1
11	90130095100	OIL GAUGE GLASS	1
12	J025060301	HH COLLAR SCREW M6X30	11
13	90132054000	PUSH ROD	1
14	90134027000	Seal - Oil	1
15	90130026003	Plate Position	1
16	J01665060123S	Hex collar screw, M6x12	2
17	90130024000	PIN DOWEL 8X6,4X14MM	2
18	90130064000	OIL JET	1
19	93030059000	Retaining bracket	1

179013020

59551

\* NEW PART

X ON DEMAND



POS	PARTNUMBER		PIECE
1	90130057300	BALANCER SHAFT	1
2	J625062030	BALL BEARING 6203	2
3	90130055000	DRIVE WHEEL BALANCER SHAFT	1
4	90130055001	Parallel key	1
5	90130057150	Washer 8,2X26X3	1
8	90130055006	SPACER SHIM	1
9	90135058000	DOME NUT WAPU-WHEEL	1
10	90130055103	Special screw	1

179013030

18451

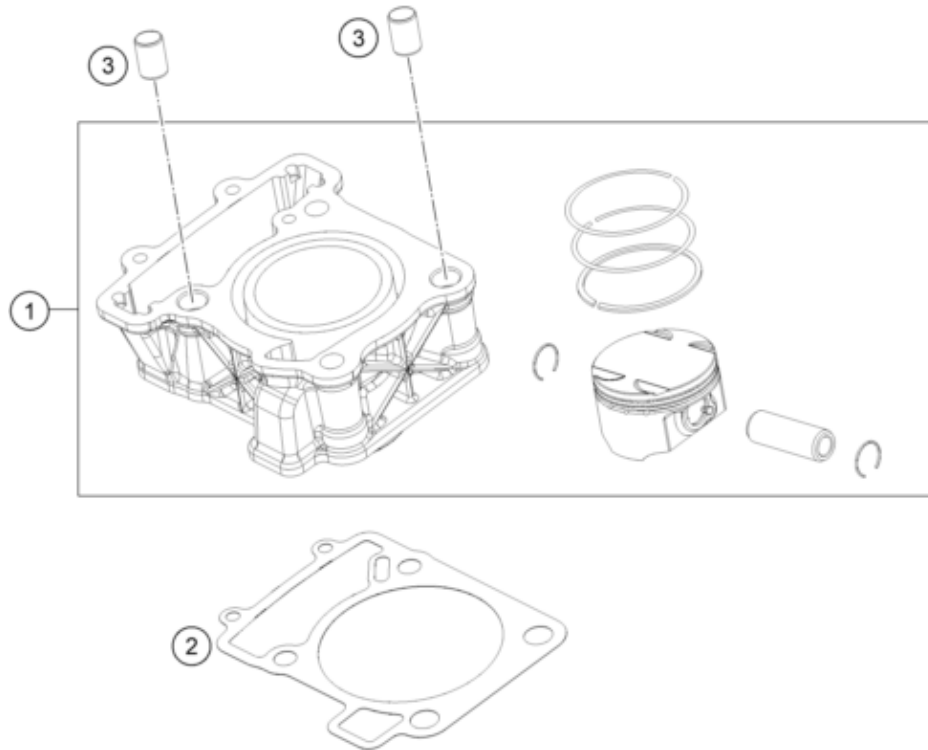
\* NEW PART

X ON DEMAND

# CYLINDER

# Engine RC 125 2024

POS	PARTNUMBER		PIECE
1	90130038000	CYLINDER + PISTON KIT	1
2	90130035000	CYLINDER BASE GASKET	1
3	90130003007	DOWEL D14	2



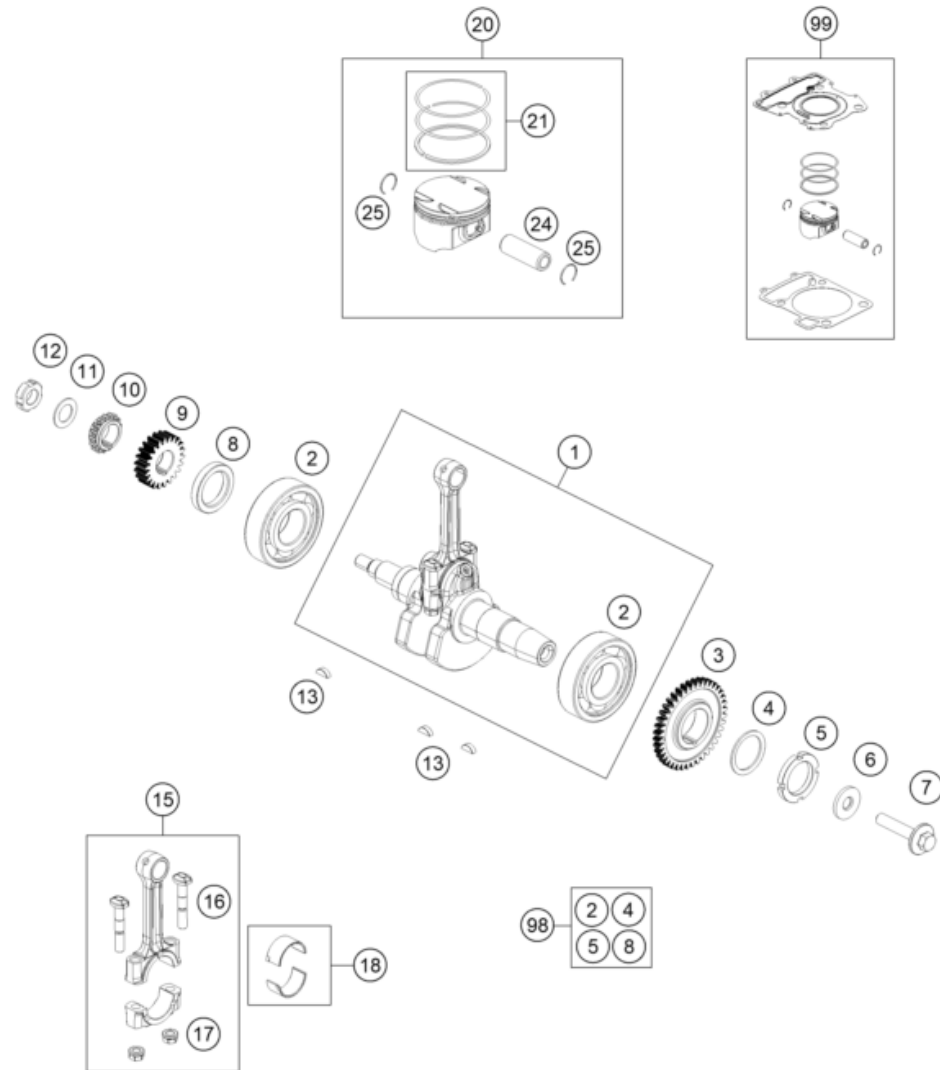
119013040

11051

\* NEW PART

X ON DEMAND

## ENGINE 6



POS	PARTNUMBER		PIECE
1	90130018000	CRANKSHAFT CPL.	1
2	90130082000	BALL BEARING 63/2/8 HN3CNP	2
3	90130018006	DRIVE WHEEL CRANKSH. F. AGW	1
4	90230069000	CONICAL WASHER 28,35X38X1,75	1
5	90130018008	NUT FOR DRIVE WHEEL AGW	1
6	J021100003	WASHER 10,3X29X3,2	1
7	J025100509S	FLANGED BOLT M10X1,25X55	1
8	90130018003	SPACER SHIM	1
9	90132024000	PRIMARY GEAR 22T.	1
10	90136014017	TIMING GEAR 17 T.	1
11	90130029050	WASHER PRIMARY DRIVE GEAR	1
12	90132025000	NUT SPROCKET DRIVE LOCK M14	1
13	J888040050	WOODRUFF KEY 4X5X13	3
15	90130015000	CONNECTING ROD CPL.	1
16	90130015001	CONNECTING-ROD BOLT	2
17	90130015002	NUT F. CONNECTING-ROD BOLT	2
18	90130015010	CON ROD BEARING SHELL	1
18	90130015011	CON ROD BEARING SHELL GREEN	x
18	90130015012	CON ROD BEARING SHELL BLUE	x
20	90130007033	Piston cpl.	1
21	90130030010	PISTON RING CPL.	1
24	90130033000	PISTON BOLT	1
25	90130074000	CIRCLIP	2
98	00050002314	CRANKSHAFT REP. KIT DUKE	x
99	00050000210	PISTON KIT 125 DUKE 11-13	x

179013060

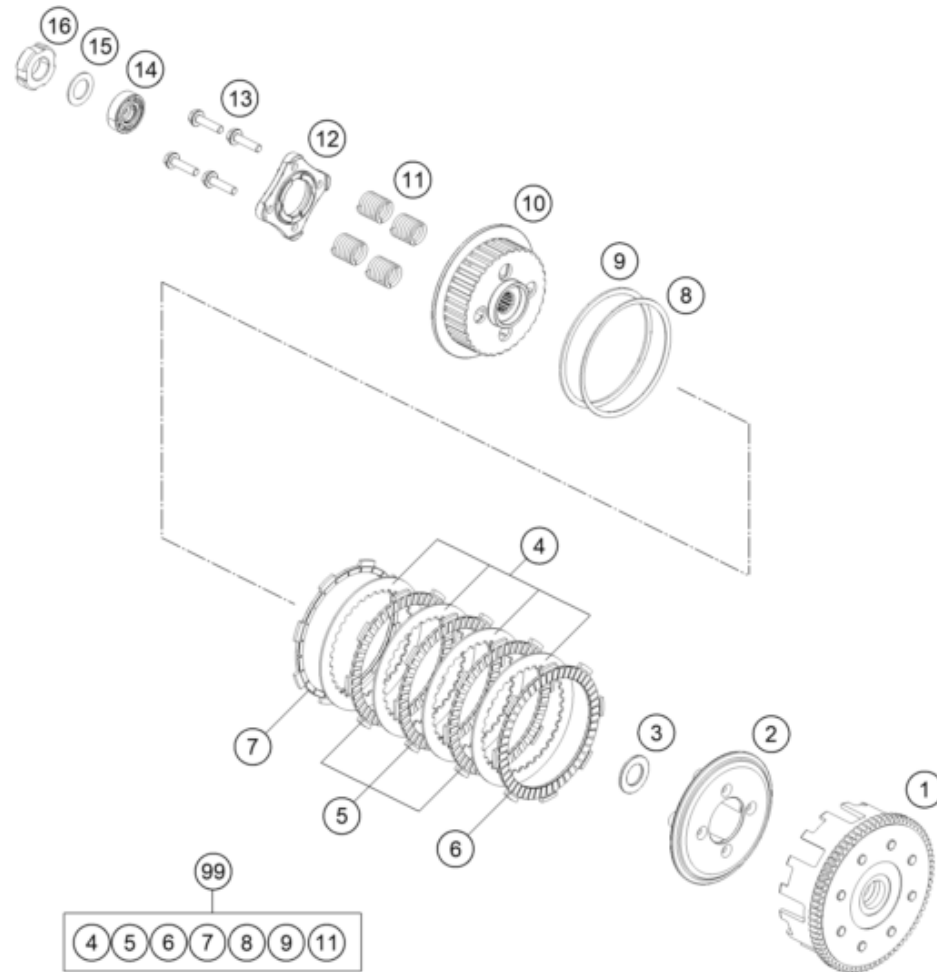
53010

\* NEW PART

X ON DEMAND

# CLUTCH

Engine RC 125 2024



POS	PARTNUMBER		PIECE
1	93532001033	Outer clutch hub	1
2	90132003000	PRESSURE CAP	1
3	90132020000	STOP DISK	1
4	90132010000	INTERMEDI. DISC	4
5	90132011000	LINING DISK	3
6	90132111000	LINING DISK INSIDE	1
7	90132211000	LINING DISC TURNED OFF	1
8	90132034000	BELLEVILLE SPRING	1
9	90132035000	SUPPORT RING	1
10	90132002000	INNER CLUTCH HUB	1
11	90132005000	CLUTCH SPRING	4
12	90132006000	PRESSURE PLATE	1
13	90132001001	COLLAR SCREW 6X25	4
14	90132095000	CLUTCH LIFTER BEARING	1
15	90632038000	BELLEVILLE SPRING	1
16	90132019000	CLUTCH NUT	1
99	90132011010	CLUTCH KIT 125 DUKE 11-13	x

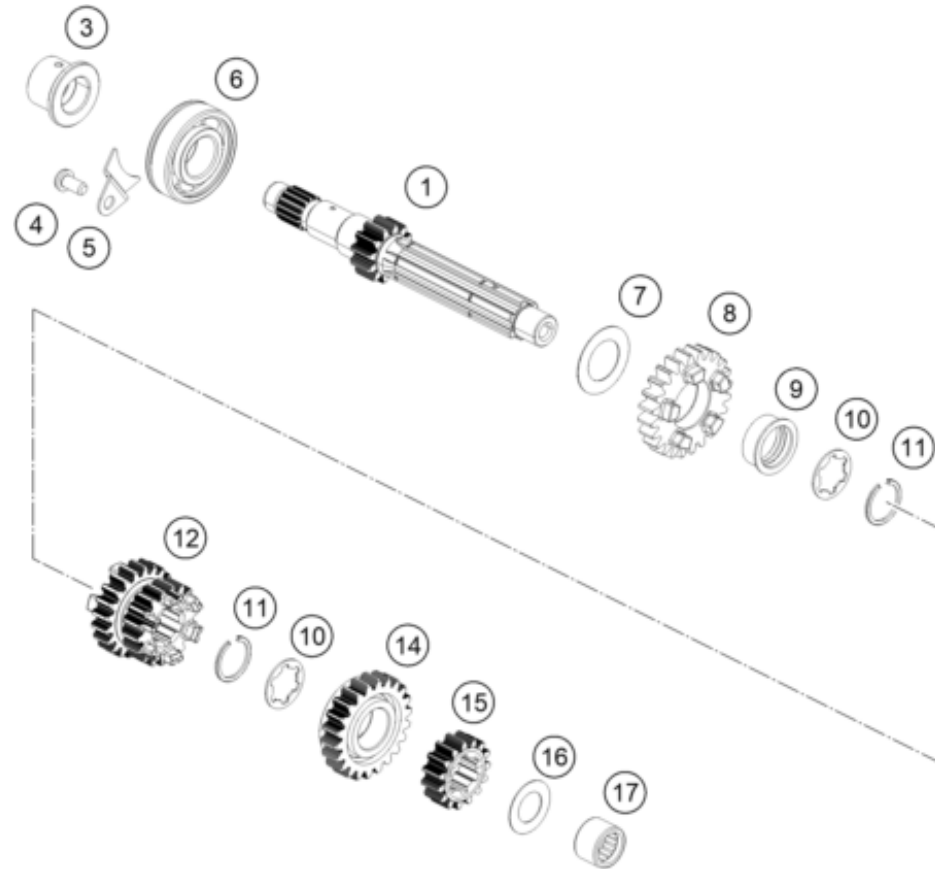
119013210

49977

\* NEW PART

X ON DEMAND

ENGINE 8



POS	PARTNUMBER		PIECE
1	90633001000	MAIN SHAFT CPL.	1
3	93533001011	Collar	1
4	J005060123S	SCREW PAN CROSS M6X12 PH SS	1
5	90130004002	LOCK WASHER F.BEARING DRIVE	1
6	J625062040	GROOVED BALL BEARING 6204	1
7	90133032000	WASHER 20X33X0,5	1
8	90133006000	DRIVE WHEEL 6. GEAR	1
9	90133001003	BUSHING	1
10	90633033000	WASHER	2
11	J471020122	CIRCLIP 20X1,2	2
12	90133003000	DRIVE WHEEL 3. G./4.G.	1
14	90133005000	DRIVE WHEEL 5. GEAR	1
15	90633002000	DRIVE WHEEL 2. GEAR	1
16	90633001004	THRUST WASHER	1
17	J618152114	NEEDLE BEAR. HK1514RS 15X21X14	1

189063330

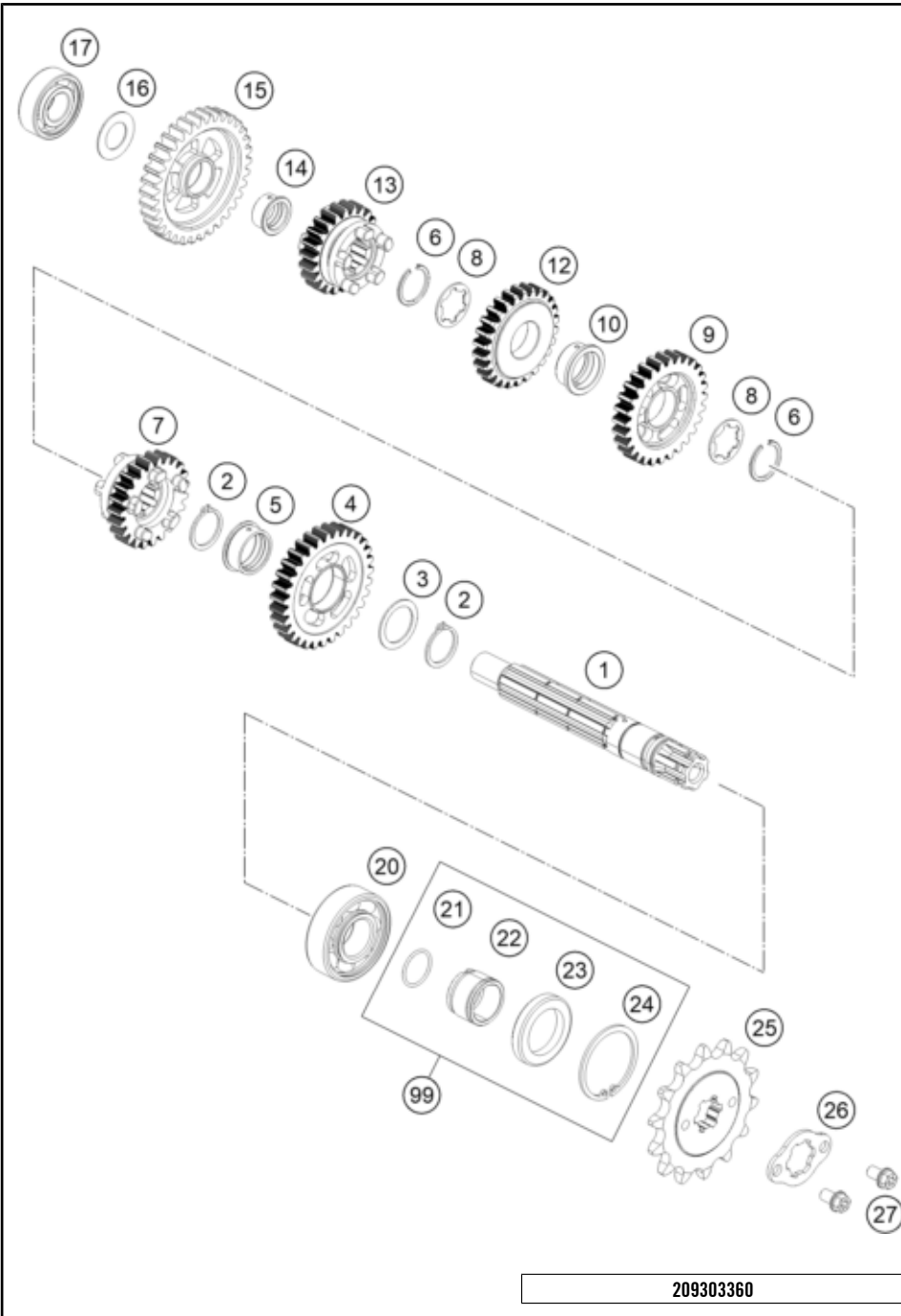
49979

\* NEW PART

X ON DEMAND

# TRANSMISSION II - COUNTERSHAFT

Engine RC 125 2024



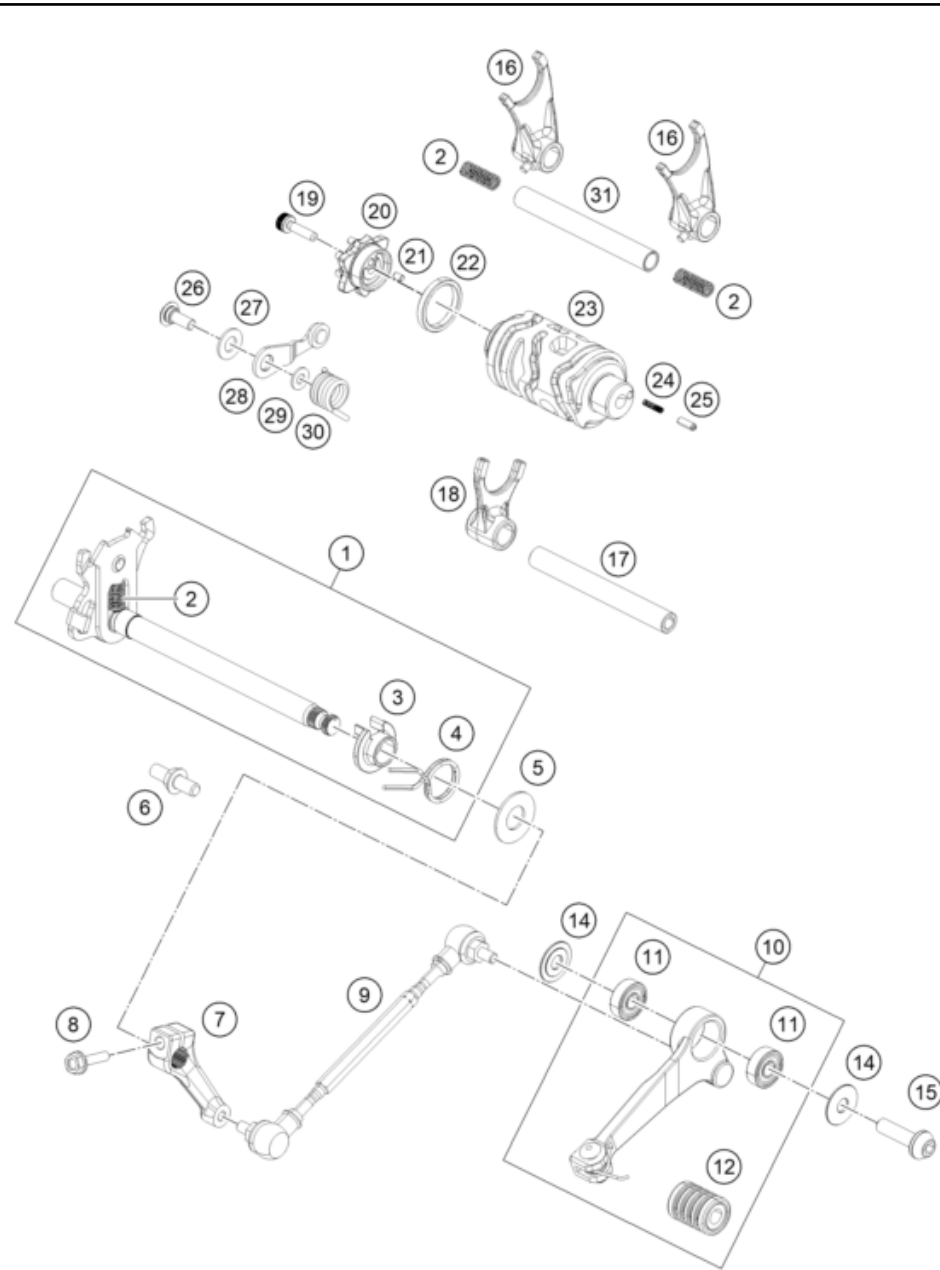
POS	PARTNUMBER		PIECE
1	93533010000	Shaft Output-Plug	1
2	J471020121	CIRCLIP 20X1,2	2
3	90133034000	WASHER 20,2X27X1	1
4	90633012100	gear driven second	1
5	90133001003	BUSHING	1
6	J471020122	CIRCLIP 20X1,2	2
7	93033015000	Transmission gear wheel, fifth -gear cou	1
8	J900001602600	Washer	1
9	93033013000	Transmission gear wheel, third -gear cou	1
10	J900002001100	Collar bushing	1
12	90133014000	COUNTERWHEEL 4. GEAR	1
13	93033016000	Transmission gear wheel, sixth -gear cou	1
14	90133001009	BUSHING	1
15	90133011000	COUNTERWHEEL 1. GEAR	1
16	J125150006	Washer 15X26X0,8	1
17	90130004003	BALL BEARING 15X35X11	1
20	J625062041	BALL BEARING 6204-Z/HN3	1
21	J770017515	O-RING 17,5X1,5	1
22	90133030000	COLLAR SPROCKET	1
23	90230077000	OIL SEAL OUTPUT SHAFT	1
24	J472037150	CIRCLIP 37X1,5	1
25	90133029014	SPROCKET 14T.	1
26	90110049000	plate drive sprocket	1
27	90110057000	BOLT M6X10	2
99	00050000982	COUNTER SHAFT REP.KIT125DUKE	x

209303360

53861

\* NEW PART

X ON DEMAND



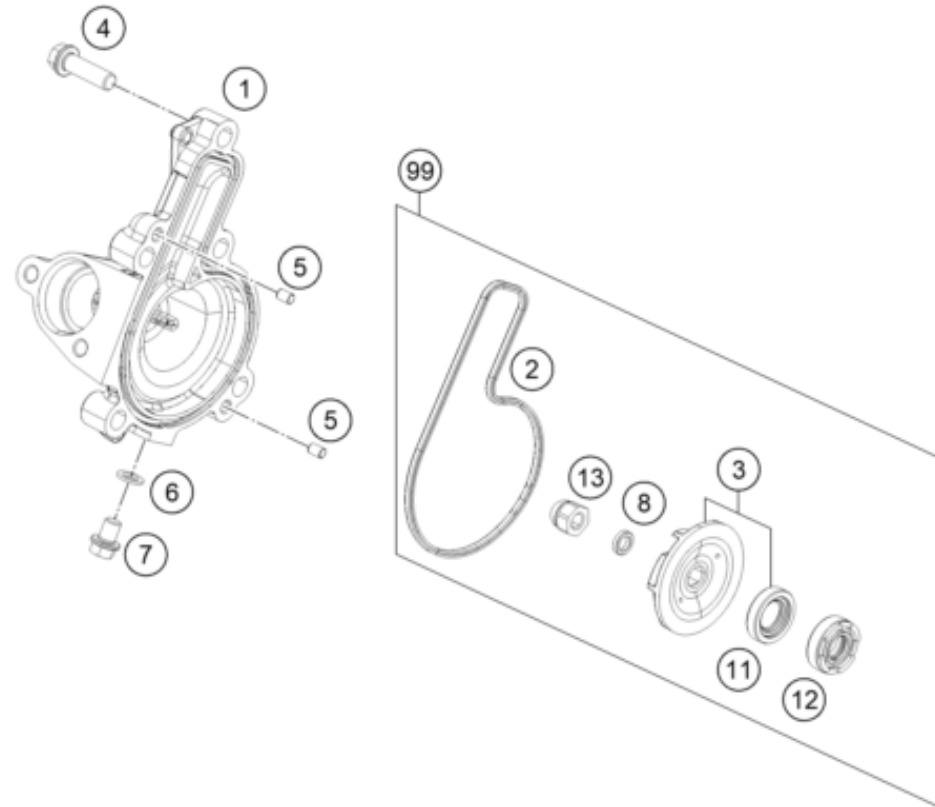
POS	PARTNUMBER		PIECE
1	90134005033	SHIFT SHAFT CPL.	1
2	90134009000	TENSION SPRING	3
3	90134022000	SPRING BUSHING	1
4	90134014000	RETURN SPRING	1
5	90134050000	STOP DISK 14X30X1,5	1
6	90134016000	SPRING GUIDE	1
7	90634031010	BAFFLE SHIFT LEVER	1
8	J025060223	HH COLLAR SCREW M6X22 SW10	1
9	94534036044	ROD ASSEMBLY TIE	1
10	94534031044	Gear shift lever compl.	1
11	J625060800	BALL BEARING 608	2
12	95834035000	Pedal rubber	1
14	90534031020	WASHER SHIFTING LEVER	2
15	90534034300	BOLT SHIFT LEVER	1
16	93034001000	Shift fork	2
17	90134019000	GEAR SHIFT RAIL	1
18	90134001000	SHIFT FORK MAIN	1
19	90134098000	Bolt socket head M6X1X20 L-precoated	1
20	90134015000	SHIFT DRUM LOCATING	1
21	90134013000	Parallel pin	1
22	90134012002	SPACER	1
23	93534012000	Shift drum	1
24	90134012003	CONTACT SPRING	1
25	90134012001	BOLT FOR GEAR INDICATOR	1
26	90134025000	SCREW LOCKING LEVER	1
27	90134030000	WASHER LOCKING LEVER	1
28	90134024033	LOCKING LEVER CPL.	1
29	J125061416	Washer, 6x14x1.2	1
30	90134023000	ARRESTING LEVER SPRING	1
31	90134190000	GEAR SHIFT RAIL COUNTER	1

229463410

57901

\* NEW PART

X ON DEMAND



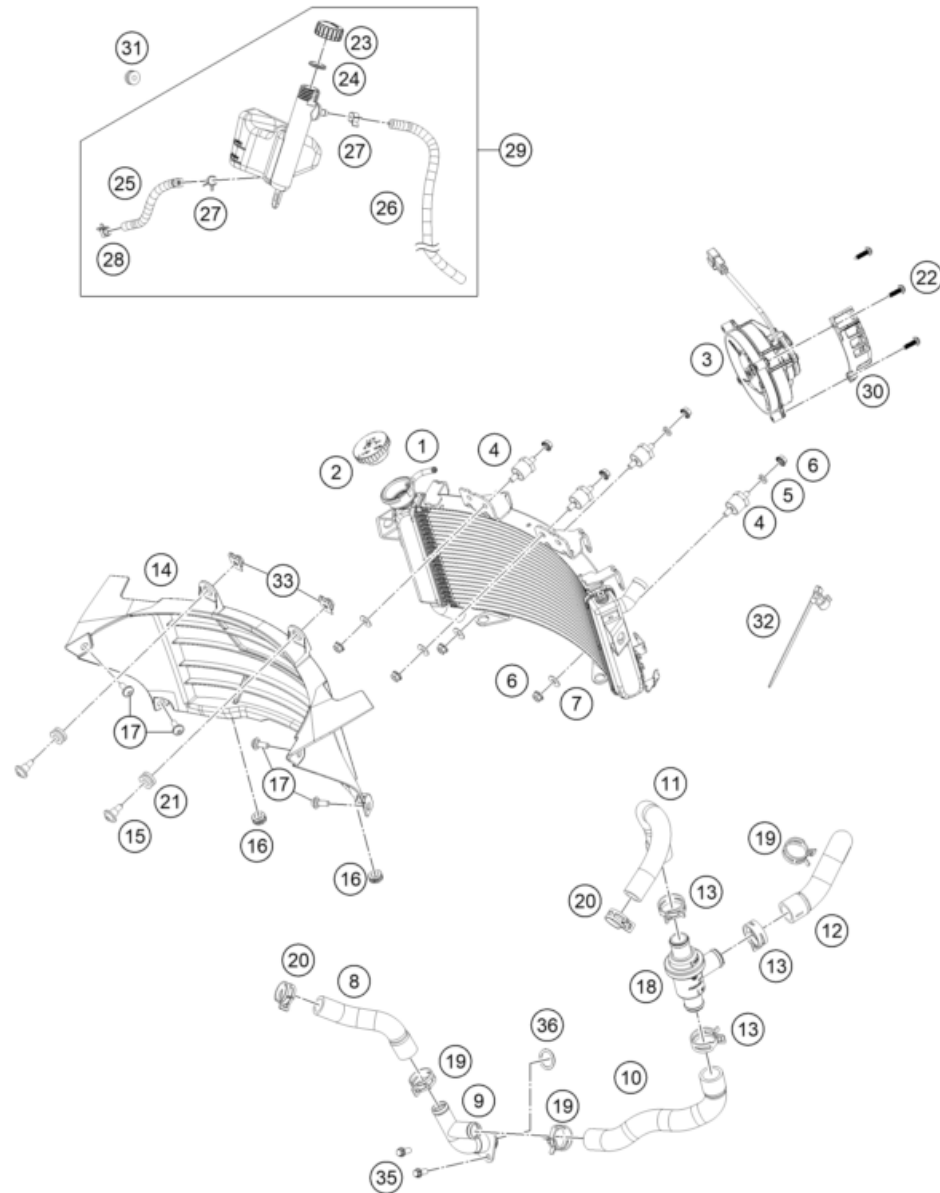
POS	PARTNUMBER		PIECE
1	91235052000	WATER PUMP COVER	1
2	90135053000	WATER PUMP COVER GASKET	1
3	90135055044	KIT WATER PUMP ROTOR & SEAL	1
4	J025060224	Hexagonal bolt M6x22	5
5	90134013000	Parallel pin	2
6	J603061001	COPPER GASKET	1
7	J025060104	Hex collar screw M6X10	1
8	90130055006	SPACER SHIM	1
11	J760122455	SHAFT SEALING RING 12X24X5,5	1
12	0760122406	Shaft seal ring 12x24x6	1
13	90135058000	DOME NUT WAPU-WHEEL	1
99	90135055210	Water pump rep. kit duke	x

179023510

53863

\* NEW PART

X ON DEMAND



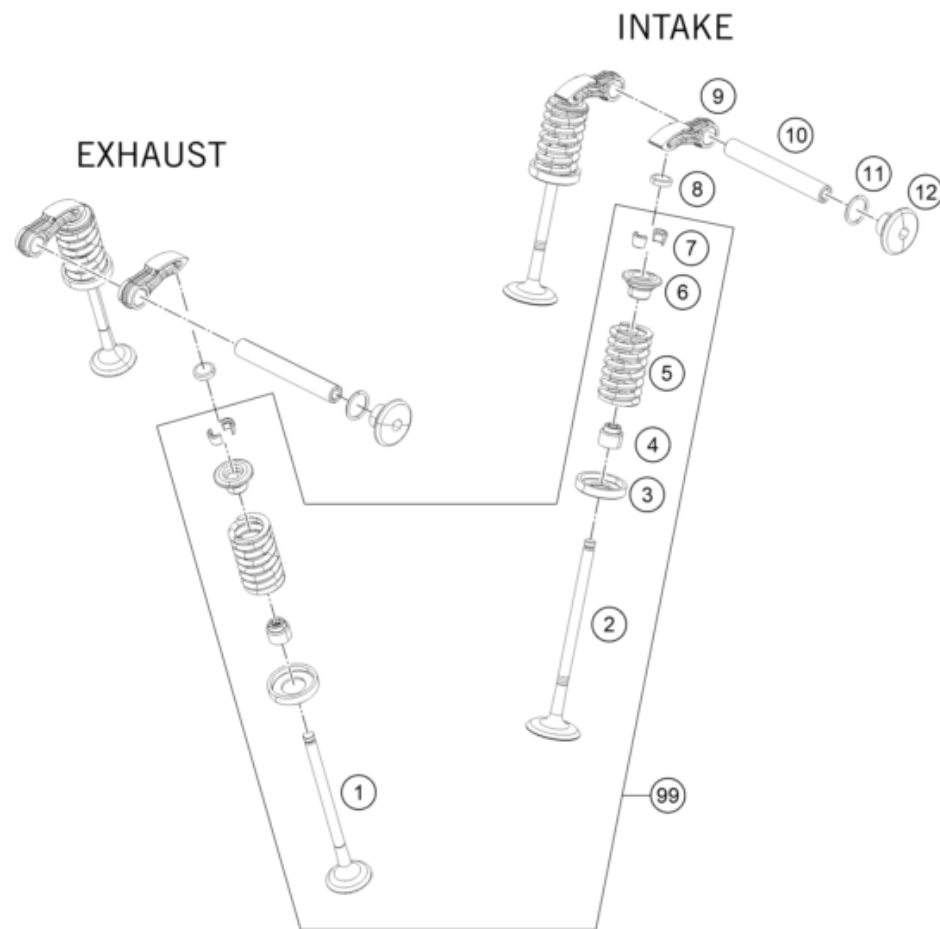
229463530

POS	PARTNUMBER		PIECE
1	95835010000	Radiator	1
2	90135016100	RADIATOR CAP	1
3	95835041044	Radiator fan, cimpl	1
4	93335001000	SILENTBLOCK M6	4
5	J127060001	Spring ring B6	2
6	J926060003	nut hex flange-m6x1xht.6xcl4xblk	8
7	J125070004	washer plain-id6.5xod16xthk1xblk	4
8	94635024010	PIPE RADIATOR-CONNECTOR	1
9	90635071033	COOLANT PIPE T	1
10	94035026000	Pipe thermostat-joint t pcs.	1
11	94635025000	PIPE THERMOSTAT-RADIATOR	1
12	93035028000	Radiator hose	1
13	90135020003	HOSE CLAMP D28	3
14	94535036000	SHROUD RADIATOR	1
15	J031060101	screw butn hd-m6x1xl10xblkxstep	2
16	95835016000	Rubber grommet	2
17	J900000601404	SCREW BUTTON HEAD STEP M6X1	1
18	90135017000	THERMOSTAT	1
19	90135020001	hose clamp D26	3
20	90135020000	HOSE CLAMP D23	2
21	93014017000	Rubber bushing	2
22	J900000501900	SCREW TAPPING PAN DIA 4.8	3
23	90135066000	PLUG F. EXPANSION TANK	1
24	90102055000	COMPENSATING TANK O-RING	1
25	J6000000517000	PIPE TANK EXPANSION-CONNECTOR	1
26	J600000645500	Hose	1
27	90107018011	CLAMP 10MM	2
28	J300000801000	Spring clip 9.5	1
29	94535065033	TANK ASSEMBLY EXPANSION	1
30	94835044010	COVER FAN LH	1
31	90135065050	GROMMET EXPANSION TANK	1
32	95835068000	Strap-clip swivel	1
33	93008084010	Range change metal nut M6	2
35	J025060141	Hex collar screw M6X14	1
36	J770018530	O-RING 18,5X3	1

57851

\* NEW PART

X ON DEMAND



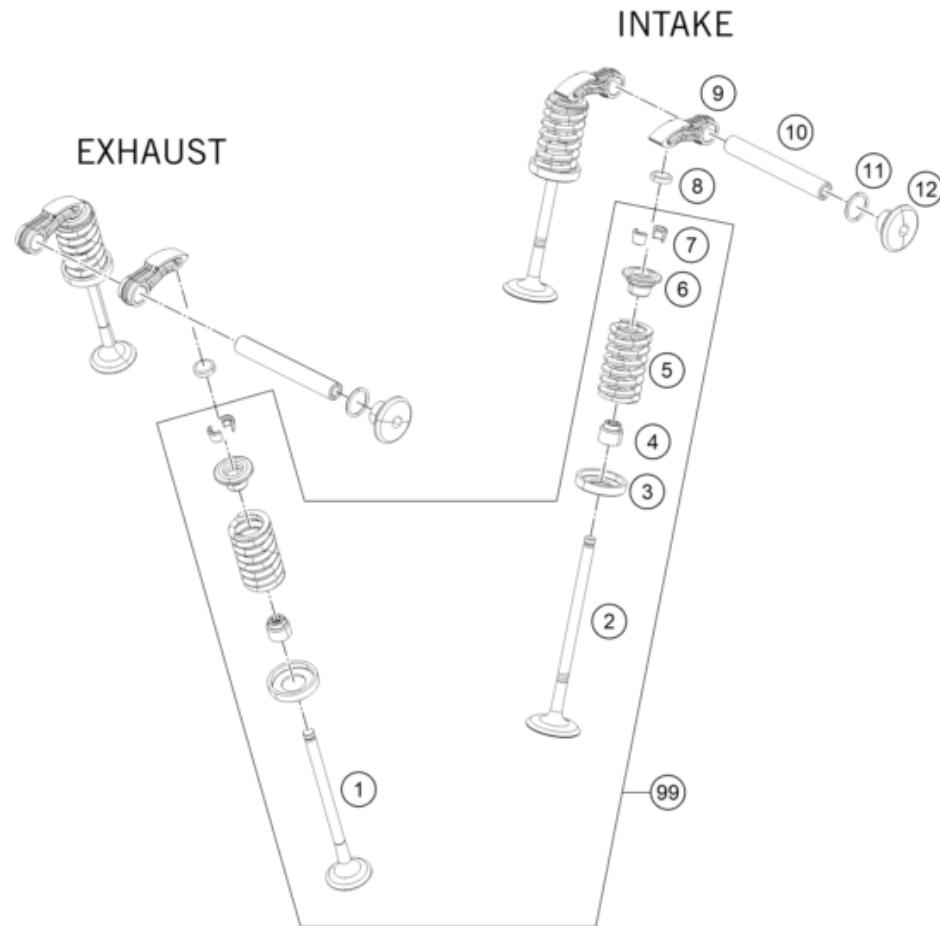
POS	PARTNUMBER		PIECE
1	94036031000	Exhaust valve	2
2	90136030000	INTAKE VALVE	2
3	90136036000	VALVE SPRING HOLDER	4
4	90136027000	VALVE-STEM SEALING	2
5	90136028000	VALVE SPRING	4
6	90136032000	VALVE SPRING RETAINER	4
7	90136033000	VALVE COLLET	8
8	90136035010	SHIM KIT 125/200 Duke	x
8	90136035200	SHIM D=8,7/2,00	x
8	90136035204	SHIM D=8,7/2,04	x
8	90136035208	SHIM D=8,7/2,08	x
8	90136035212	SHIM D=8,7/2,12	x
8	90136035216	SHIM D=8,7/2,16	x
8	90136035220	SHIM D=8,7/2,20	x
8	90136035224	SHIM D=8,7/2,24	x
8	90136035228	SHIM D=8,7/2,28	x
8	90136035232	SHIM D=8,7/2,32	x
8	90136035236	SHIM D=8,7/2,36	x
8	90136035240	SHIM D=8,7/2,40	x
8	90136035244	SHIM D=8,7/2,44	x
8	90136035248	SHIM D=8,7/2,48	x
8	90136035252	SHIM D=8,7/2,52	x
8	90136035256	SHIM D=8,7/2,56	x
8	90136035260	SHIM D=8,7/2,60	x
8	90136035264	SHIM D=8,7/2,64	x
8	90136035268	SHIM D=8,7/2,68	x
8	90136035272	SHIM D=8,7/2,72	x
8	90136035276	SHIM D=8,7/2,76	x
8	90136035280	SHIM D=8,7/2,80	x
8	90136035284	SHIM D=8,7/2,84	x
8	90136035288	SHIM D=8,7/2,88	x
8	90136035292	SHIM D=8,7/2,92	x
8	90136035296	SHIM D=8,7/2,96	x
8	90136035300	SHIM D=8,7/3,00	x
8	90136035304	SHIM D=8,7/3,04	x
9	90136060000	cam follower	4
10	90136056000	VALVE LEVER SHAFT	2
11	J770010312	O-RING 10,3X1,2 MM	2

119013610

53865

\* NEW PART

X ON DEMAND



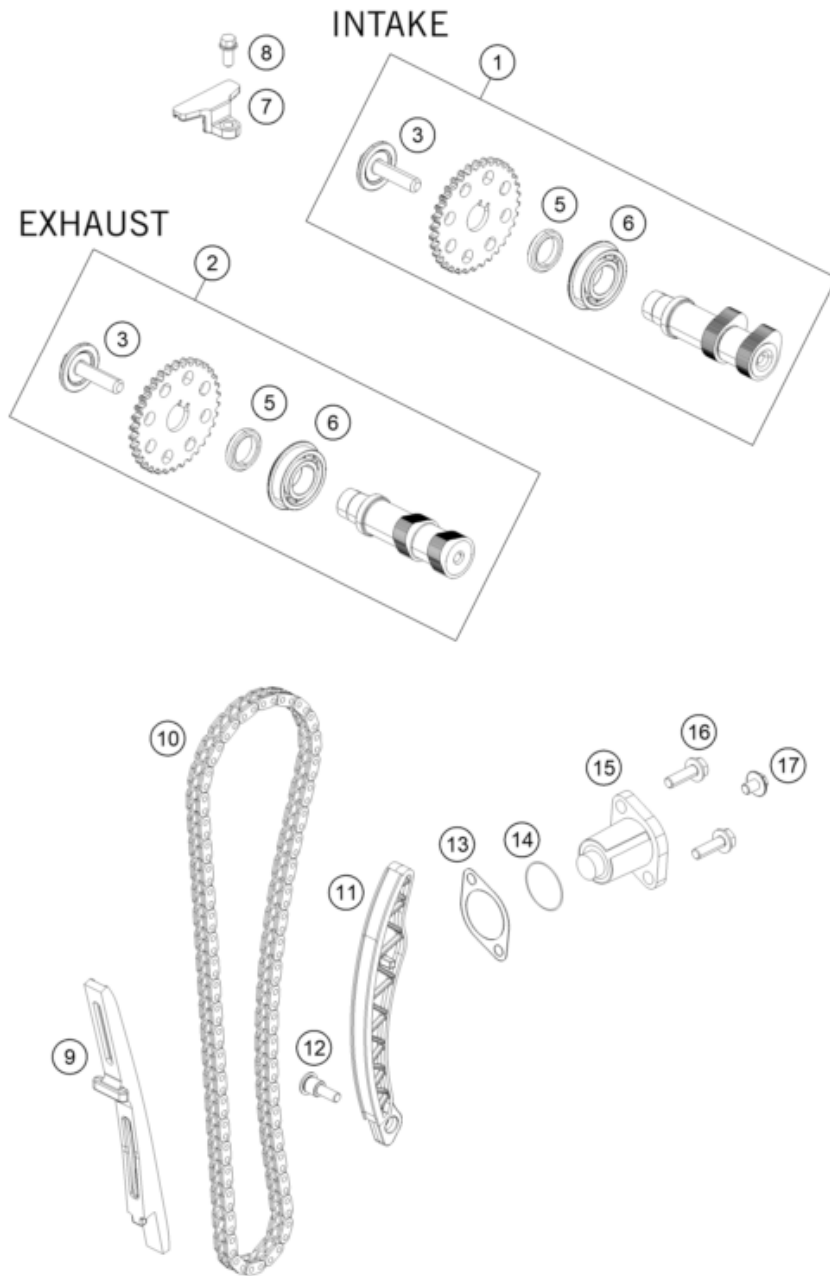
POS	PARTNUMBER		PIECE
12	90136056001	SCREW PLUG	2
99	93536030010	Valve kit	x

119013610

53865

\* NEW PART

X ON DEMAND



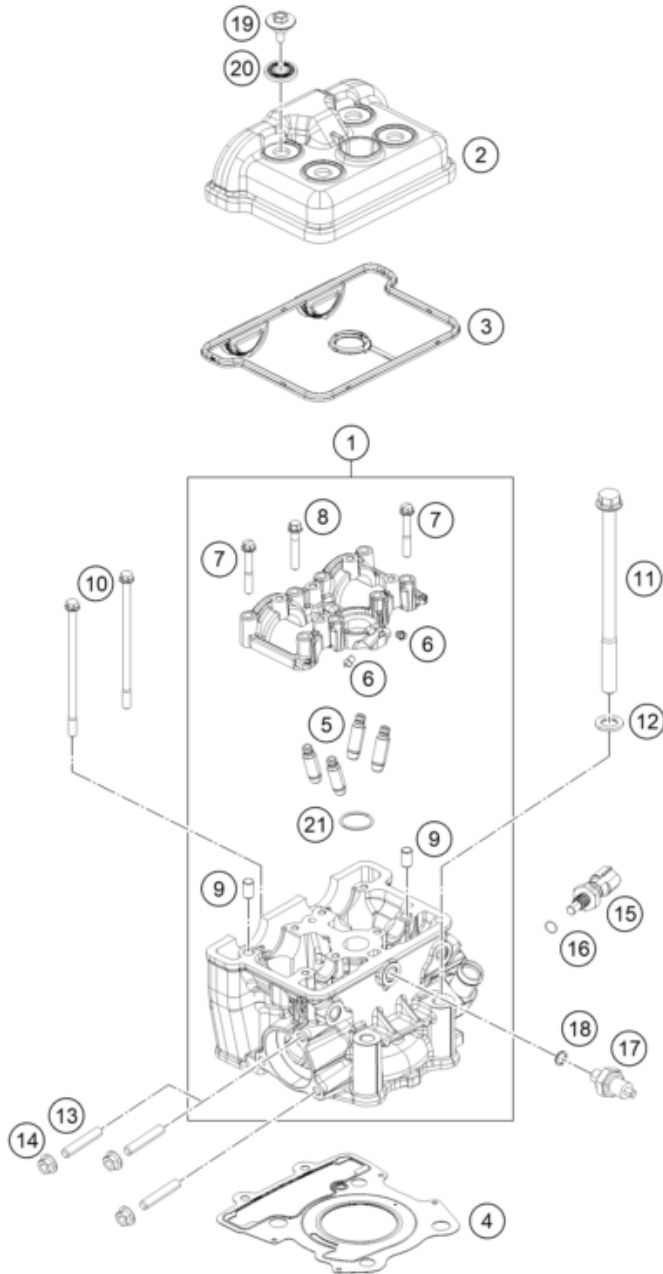
POS	PARTNUMBER		PIECE
1	93536009033	Camshaft assembly intake	1
2	93536010033	Camshaft assembly exhaust	1
3	J912080323	Bolt socket-M8X1XL 32	2
5	90136009002	SPACER	2
6	90136009001	BALL BEAR.6003NR/C3D8 17X35X10	2
7	90136018000	GUIDE RAIL TOP	1
8	J025060142	HEX COLLAR SCREW M6X14 SW8	1
9	90136001000	TIMING CHAIN GUIDE	1
10	90136013000	TIMING CHAIN	1
11	90136002000	TENSIONER RAIL	1
12	90130004007	SPECIAL SCREW 6X14,9	1
13	90136003003	GASKET CHAIN ADJUSTER	1
14	J770010015	O-RING 10,15X1,5	1
15	90136003000	CHAIN ADJUSTER	1
16	J025060204	Hex collar screw M6X20	2
17	90136003002	SPECIAL SCREW 6X6	1

139013620

18456

\* NEW PART

X ON DEMAND



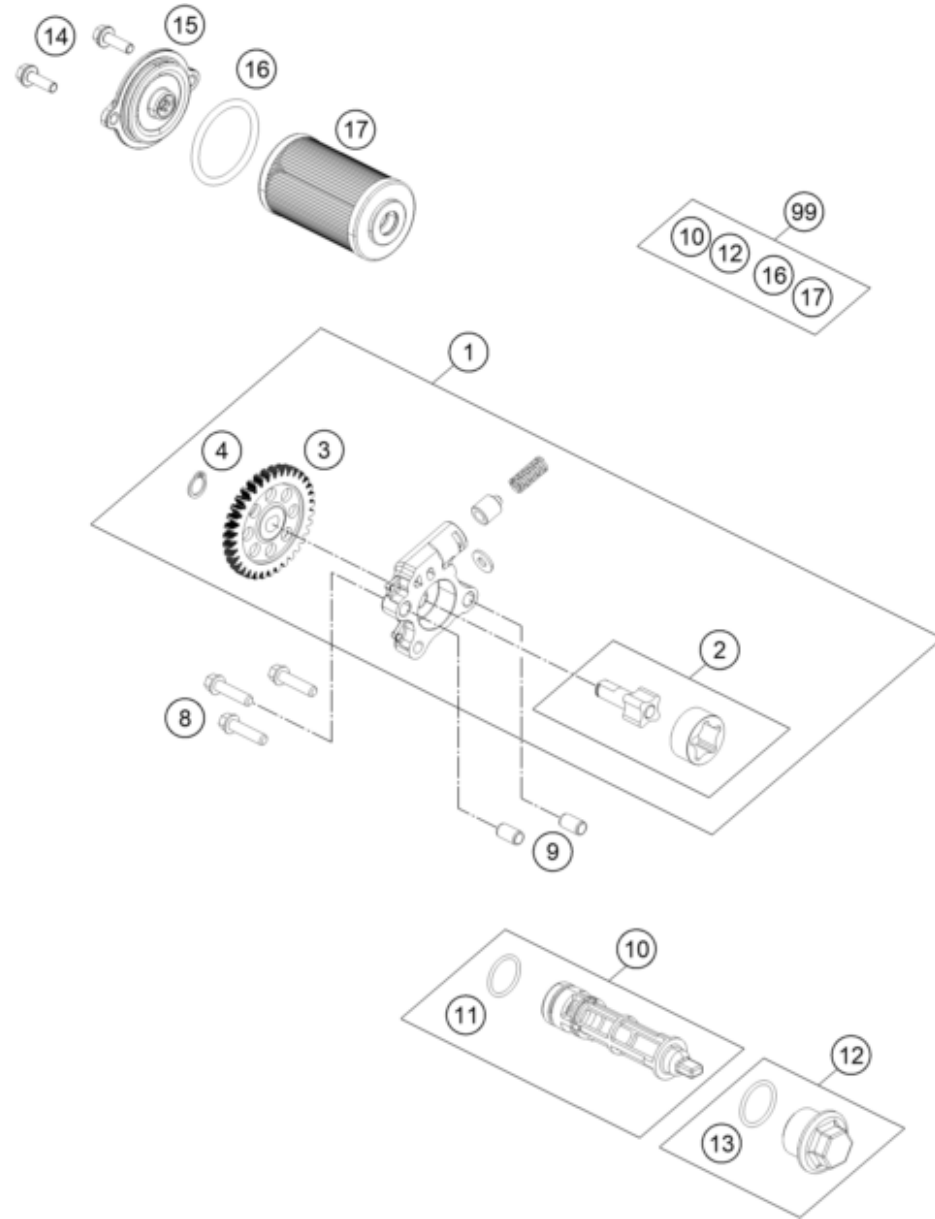
POS	PARTNUMBER		PIECE
1	90136020190	CYLINDER HEAD WITH CAMHOLDER	1
2	93336052001	Valve mechanism cover	1
3	93536053000	Valve cover gasket	1
4	90130036000	CYLINDER HEAD GASKET	1
5	90136025000	VALVE GUIDE	4
6	90130064000	OIL JET	4
7	J025060402	HH-COLLAR SCREW M6X40 WS10	2
8	J025060356	HH-COLLAR SCREW M6X35 WS8	6
9	90130024000	PIN DOWEL 8X6,4X14MM	2
10	90136020005	COLLAR SCREW M6	2
11	90136020003	HH COLLAR SCREW 10X147,5	4
12	90130080000	WASHER 11,2X20X2	4
13	90136020001	STUD M8	3
14	90136038000	FLANGED NUT M8 H7,5 WS12	3
15	90135047000	TEMPERATURE SENSOR	1
16	90135047001	O-RING	1
17	90138091000	OIL PRESSURE SENSOR	1
18	90138091001	O-RING	1
19	90136052020	VALVE COVER SCREW	4
20	90136052010	DECOUPLING ELEMENT	4
21	J770023019	O-RING 23,7X1,9	1

179013630

44878

\* NEW PART

X ON DEMAND



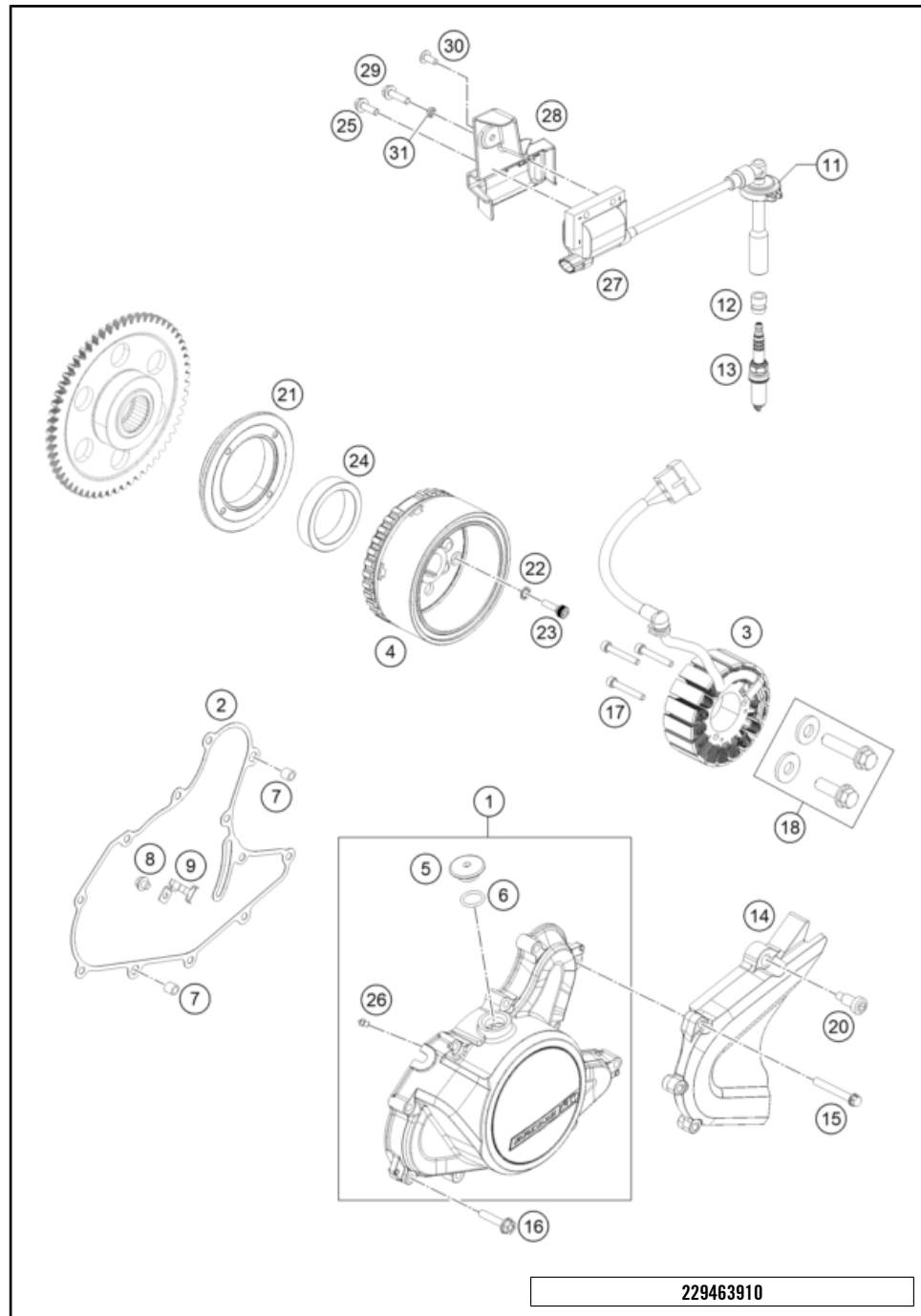
POS	PARTNUMBER		PIECE
1	90138007133	OIL PUMP ASSY	1
2	90138002044	OIL PUMP SHAFT CPL.	1
3	90138001000	OIL PUMP GEAR	1
4	J471010100	Seeger ring 10X1,0	1
8	J028060303S	HH COLLAR SCREW M6X30 WS8	3
9	90130024000	PIN DOWEL 8X6,4X14MM	2
10	90238015033	MESH STRAINER CPL.	1
11	J770017721	O-RING 17,7X2,1 MM	1
12	90138015050	CLOSURE CAP OIL SCREEN	1
13	90138015052	O-RING	1
14	J025060161	Hex collar screw M6X16	2
15	90138006000	OIL FILTER CAP	1
16	J770039326	O-RING 39,34X2,62	1
17	90138015000	OIL FILTER	1
99	90138015010	OILFILTER SERVICE KIT 125 DUKE	x

119013810

50905

\* NEW PART

X ON DEMAND



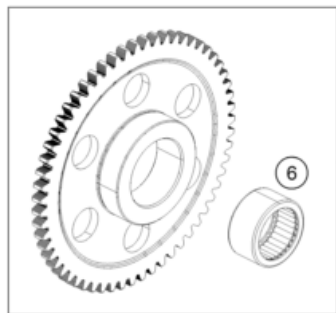
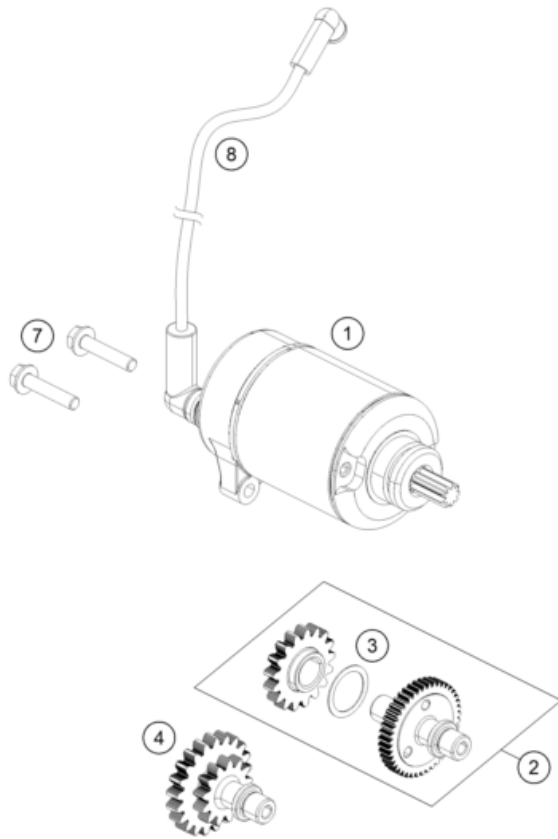
POS	PARTNUMBER		PIECE
1	94130002233	COVER ASSEMBLY MAGNETO	1
2	93530040100	Ignition cover gasket	1
3	94539004000	STATOR ASSEMBLY	1
4	94539005000	rotor assembly	1
5	93839010100	Screw plug, OT marking	1
6	J770015824	O-RING 15,8X2,4	1
7	90130024000	PIN DOWEL 8X6,4X14MM	2
8	J025050081	Hex collar screw M5X8	1
9	90139004002	BRACKET F. STATORCABLE	1
11	90139090001	GASKET SPARK PLUG CONNECT.	1
12	93839091000	Sealing boot spark plug	1
13	93839093000	Spark plug BOSCH VR6NEU M12X1.25	1
14	90103096000	CHAIN SPROCKET GUARD	1
15	J025060451	HH COLLAR SCREW M6X45	3
16	J025060301	HH COLLAR SCREW M6X30	9
17	J912050353S	AH SCREW M5X35 SELF LOCKING	3
18	90130018044	SCREW DRIVE GEAR KIT	1
20	90104060010	special screw M6x24 WS6	1
21	90130001000	SUPPORT FREEWHEEL CLUTCH	1
22	J797060003	TOOTHED WASHER M6	4
23	90130001001	SOCKET HEAD SCREW M6X20	4
24	90140026000	FREEWHEEL CLUTCH	1
25	J900000602201	BOLT-FLANGED-SMALL	1
26	90130164000	OIL NOZZLE	1
27	93039006033	coil assembly ignition	1
28	94539006010	Cover ignition coil	1
29	J900000603000	BOLT-FLANGE-KAD ST-A DIA-06 L-30	1
30	90508006001	SOCKET HEAD BOLT M6X12	1
31	90508016050	SLEEVE UNDER TRAY	1

229463910

57931

\* NEW PART

X ON DEMAND



**ACHTUNG !!! CAUTION !!!**  
 FOR ROTOR 90139005000 Ø49mm USE FREEWHEEL 90140020000  
 FOR ROTOR 90139005100 Ø45mm USE FREEWHEEL 90640020000

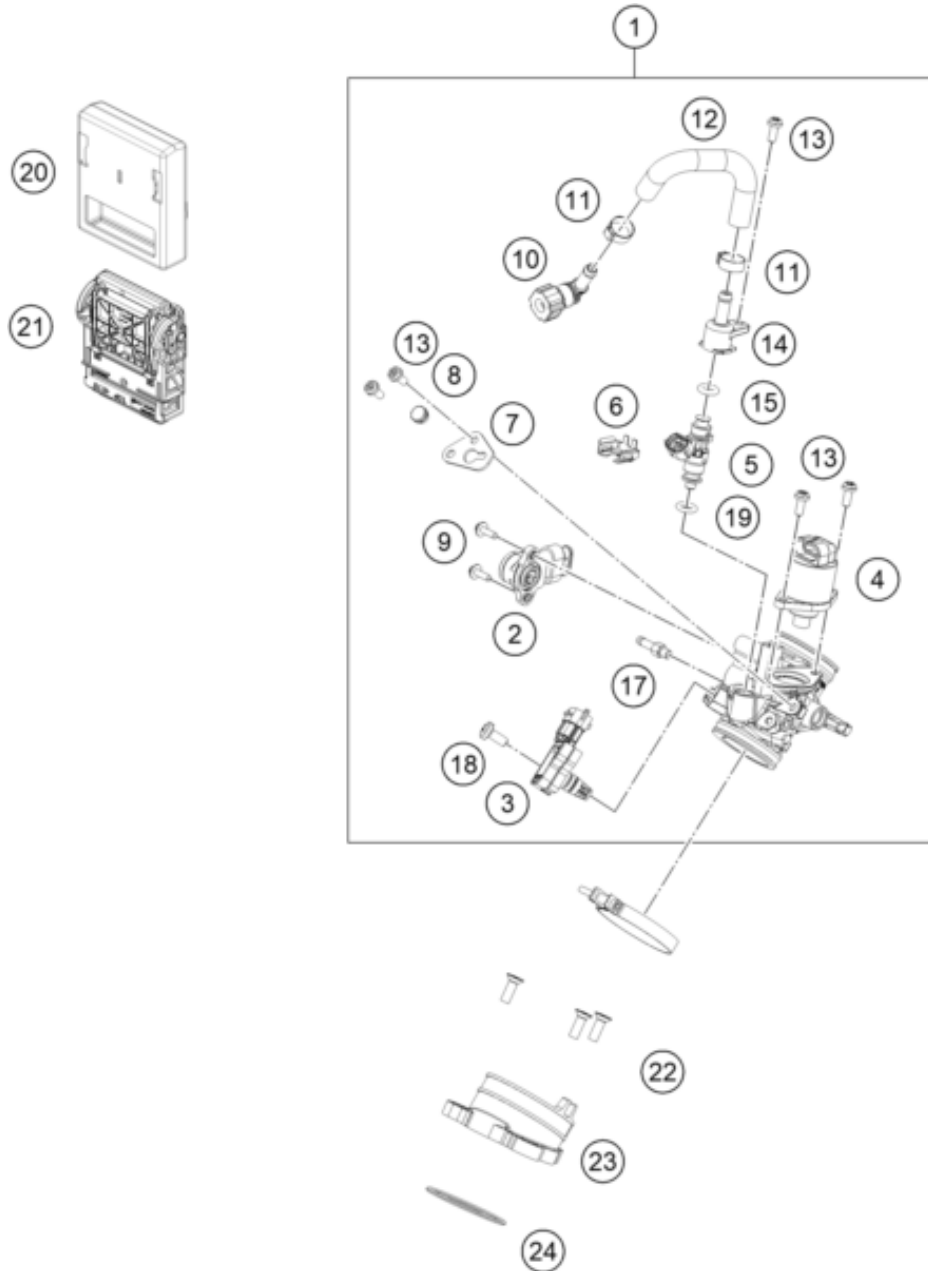
POS	PARTNUMBER		PIECE
1	90140001000	E-STARTER ENGINE CPL.	1
2	90140023033	TORQUE LIMITER CPL.	1
3	90140023045	SHIM 0,45 MM	x
3	90140023060	SHIM 0,6 MM	1
3	90140023075	SHIM 0,75 MM	x
3	90140023090	SHIM 0,9 MM	x
4	90140022000	INTERMEDIATE STARTING GEAR	1
5	90640020000	FREEWHEEL GEAR CPL.	1
6	J618253216	NEEDLE ROLLER BEARING HK2516	1
7	J025060256	HH COLLAR SCREW M6X25 SW10	2
8	90111059000	STARTER CABLE	1

119014010

11079

\* NEW PART

X ON DEMAND



POS	PARTNUMBER		PIECE
1	94541001000	Throttle body	1
2	90641002000	Throttle position sensor	1
3	93041085000	Pressure sensor	1
4	90641072000	IDLE ADJUSTER	1
5	93541023000	Injector	1
6	90141001001	INJECTOR CLIP	1
7	90141023002	CABLE SUPPORT	1
8	90141023003	GROMMET	1
9	90141070001	SPECIAL SCREW M4X13	2
10	28107028000	Angle piece	1
11	J300000701600	Oetiker clamp D=14	2
12	94607016130	PIPE FUEL	1
13	90141023005	SPECIAL SCREW M5X12	5
14	95707024000	CAP INJECTOR	1
15	55641023020	O-ring	1
17	28241038000	NOZZLE EVAP	1
18	90141071001	SPECIAL SCREW M6X14	1
19	55641023010	O-ring	1
20	94541030000	COVER ECU	1
21	28141031000R	ECU	1
22	J991060203S	COUNTERSUNK SCREW M6X20	3
23	90641002300	CONN. FLANGE CYLINDER-THR.BODY	1
24	90141002006	O-RING CONN. FL. CYL.-THR.BODY	1

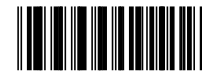
229464110

59987

\* NEW PART

X ON DEMAND

# KTM.COM



081220XEN

KTM Sportmotorcycle GmbH  
5230 Mattighofen, Austria  
[www.ktm.com](http://www.ktm.com)

**KTM** POWERPARTS

**KTM** POWERWEAR

**KTM** ORIGINAL SPARE PARTS



Art. Nr.: 081220XEN 12. Dez 2023