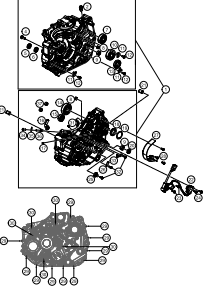
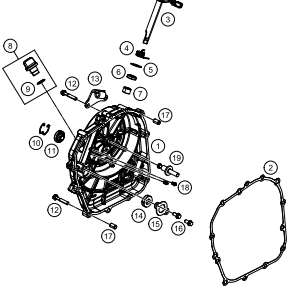
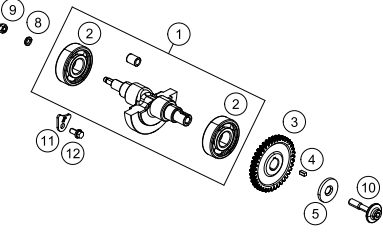
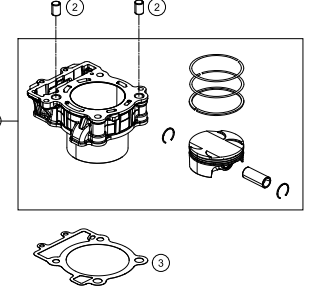
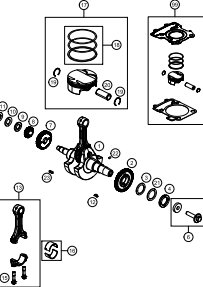
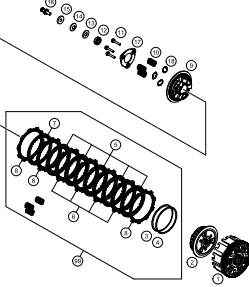
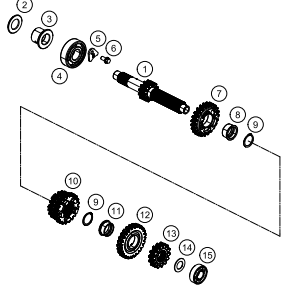
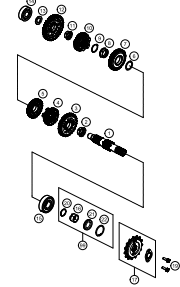
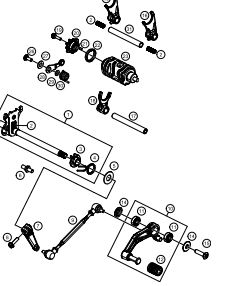
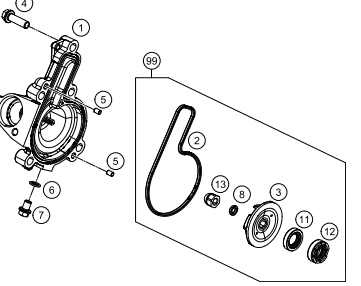
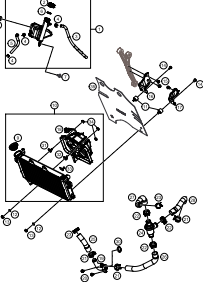
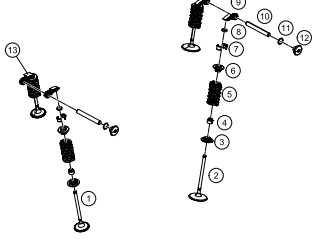
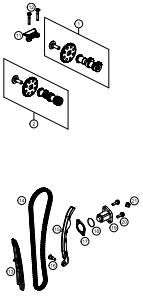
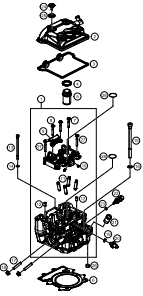
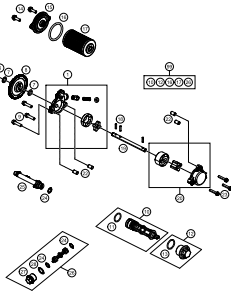
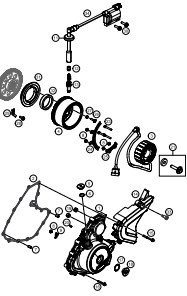
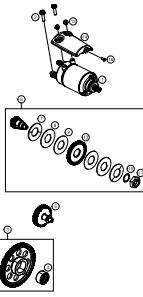
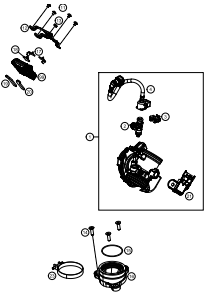



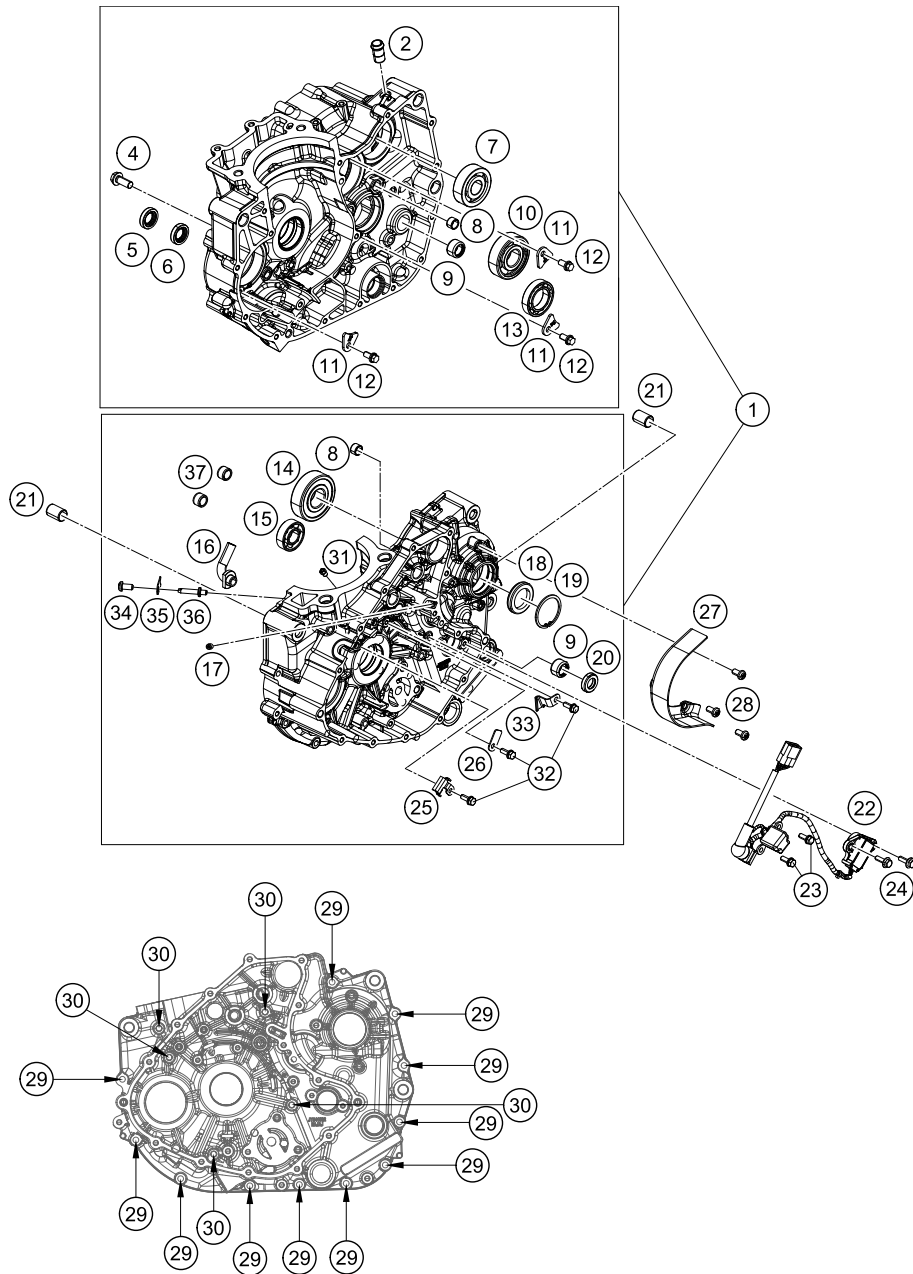
Motor 390 RC 2019

ART.-NR.: 081275SEN



<p>ENGINE CASE</p>  <p style="text-align: right;">3</p>	<p>CLUTCH COVER</p>  <p style="text-align: right;">4</p>	<p>BALANCER SHAFT</p>  <p style="text-align: right;">5</p>	<p>CYLINDER</p>  <p style="text-align: right;">6</p>
<p>CRANKSHAFT, PISTON</p>  <p style="text-align: right;">7</p>	<p>CLUTCH</p>  <p style="text-align: right;">8</p>	<p>TRANSMISSION I - MAIN SHAFT</p>  <p style="text-align: right;">9</p>	<p>TRANSMISSION II - COUNTERSHAFT</p>  <p style="text-align: right;">10</p>
<p>SHIFTING MECHANISM</p>  <p style="text-align: right;">11</p>	<p>WATER PUMP</p>  <p style="text-align: right;">12</p>	<p>COOLING SYSTEM</p>  <p style="text-align: right;">13</p>	<p>VALVE DRIVE</p>  <p style="text-align: right;">14</p>

<p>TIMING DRIVE</p>  <p>16</p>	<p>CYLINDER HEAD</p>  <p>17</p>	<p>LUBRICATING SYSTEM</p>  <p>18</p>	<p>IGNITION SYSTEM</p>  <p>19</p>
<p>ELECTRIC STARTER</p>  <p>20</p>	<p>THROTTLE BODY</p>  <p>21</p>		
<div style="display: flex; align-items: center;">  <p> All information contained is without obligation. KTM Sportmotorcycle GmbH particularly reserves the right to modify any equipment, technical specifications, prices, colors, shapes, materials, services, service work, constructions, equipment and the like so as to adapt them to local conditions or to cancel any of the above items, all without previous announcement and without giving reasons. KTM may stop manufacturing certain models without previous notice. KTM shall not be held liable for any deviations of availability and/or ability to deliver, illustrations, descriptions, printing and/or other errors. The illustrated models partly contain extra equipment, which is not applied to standard models. © by KTM Sportmotorcycle GmbH, Mattighofen AUSTRIA; All rights reserved; Reprint, also in extracts, with written allowance of KTM Sportmotorcycle GmbH, Mattighofen only. </p> </div>			



POS	PARTNUMBER	PARTNAME	PIECE
1	9023000444	Kit CR' cas asy 390CC MY17	1
2	90230022000	Pipe breather	1
4	J011080203S	FLANGED BOLT M8X20	1
5	0760122406	Shaft seal ring 12x24x6	1
6	J760122455	SHAFT SEALING RING 12X24X5,5	1
7	90233010001	DEEP GROOVE BALL BEARING	1
8	90234030000	BUSH SHIFT RAIL	2
9	J618131912	NEEDLE ROLLER BEARING HK1312	2
10	J625063040	DEEP GROOVE BALL BEARING 6304	1
11	90230079000	STOPPER BALANCER SHAFT BEARING	3
12	90130078001	FLANGED BOLT 6X12	3
13	90130004004	Bearing ball	1
14	J625063320	BALL BEARING 22X56X16-C3L-	1
15	J625062122	BALL BEARING 15X35X11-C3-1	1
16	90238014000	OIL PIPE	1
17	90230066100	OIL NOZZLE	1
18	90230077000	OIL SEAL OUTPUT SHAFT	1
19	J472037150	CIRCLIP 37X1,5	1
20	90130003004	Seal - oil	1
21	90130003007	DOWEL D14	2
22	93811023000	GEAR INDICATION SENSOR	1
23	J011050133	HH COLLAR SCREW M5X13 SW8	5
24	J025050163S	FLANGED BOLT M5X16	2
25	93711022000	BRACKET HARNESS	1
26	93711021000	PLATE HARNESS	1
27	90230047000	CHAIN GUARD	1
28	J005060123S	SCREW PAN CROSS M6X12 PH SS	3
29	J025060353	Hex collar screw M6X35	11
30	J028060753S	FLANGED BOLT M6X75	5
31	90130164000	OIL NOZZLE	1
32	90130078001	FLANGED BOLT 6X12	3
33	93711024000	BRACKET HARNESS GI SENSOR	1
34	J005060123S	SCREW PAN CROSS M6X12 PH SS	1
35	93830066000	Bracket	1
36	93830064000	Nozzle	1
37	90240018000	BUSH STARTER SHAFT	2

179023010

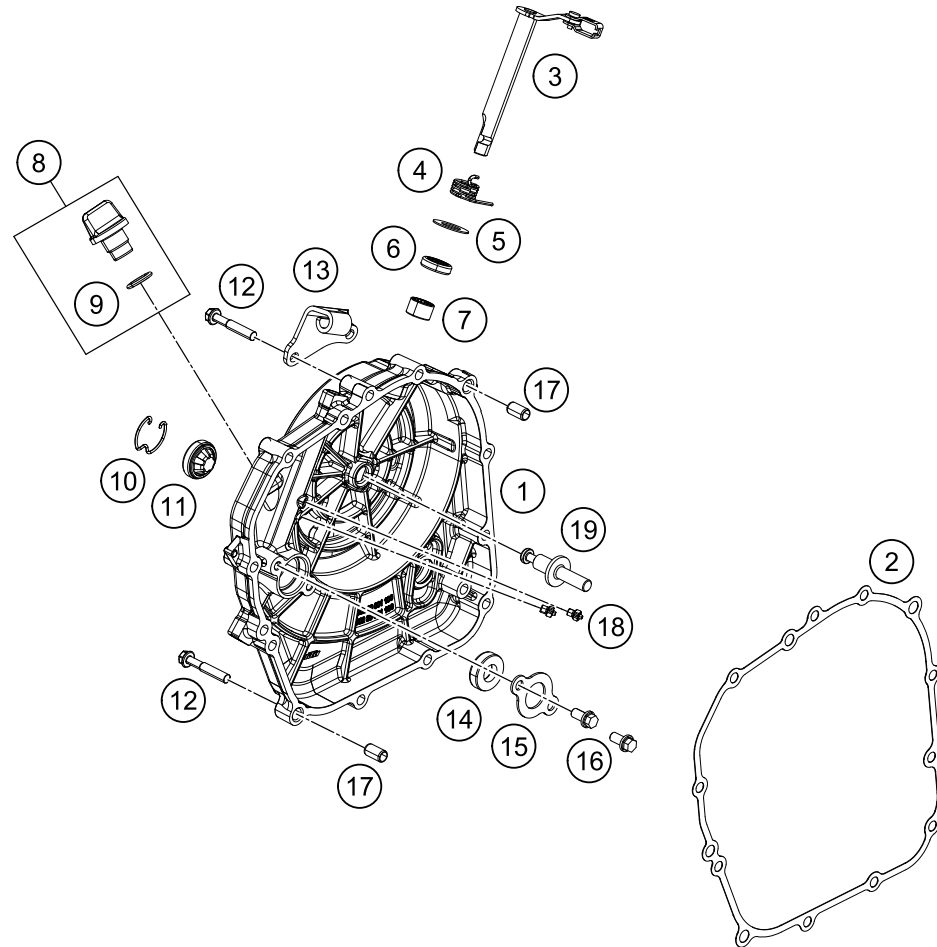
18472

* NEW PART

X ON DEMAND

CLUTCH COVER

Motor 390 RC 2019



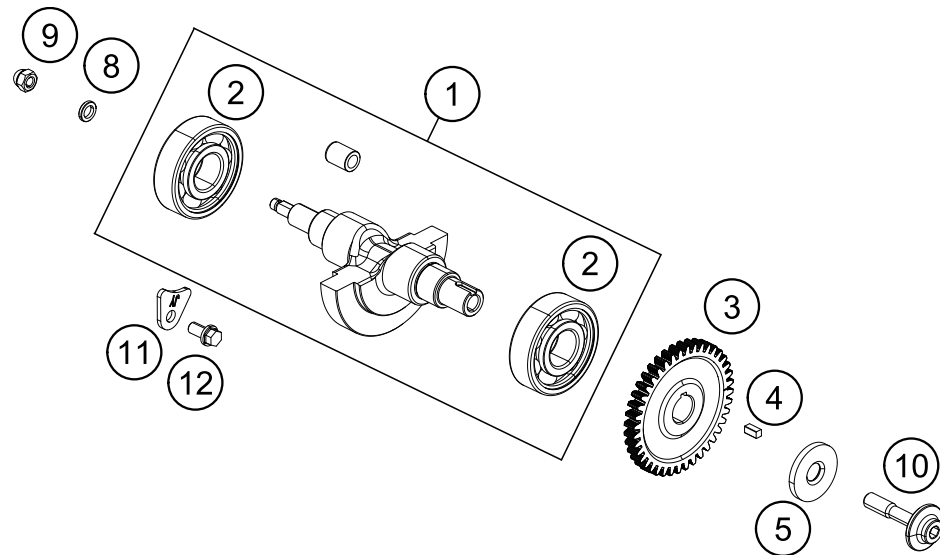
POS	PARTNUMBER	PARTNAME	PIECE
1	90230001144	CLUTCH COVER WITH PLUG	1
2	90230027000	GASKET CLUTCH COVER	1
3	90232048133	CLUTCH RELEASE LEVER CPL.	1
4	90232048003	SPRING F. RELEASE LEVER	1
5	90132048005	WASHER 12,5X24X0,8MM	1
6	90132051000	OIL SEAL RING	1
7	90132050000	needle bearing	1
8	90130020000	OIL PLUG CPL.	1
9	J770013824	O-RING 13,8X2,4	1
10	90630095000	WIRE CIRCLIP 28X1,5	1
11	90130095100	OIL GAUGE GLASS	1
12	J025060353	Hex collar screw M6X35	12
13	90230059100	BRACKET CLUTCH CABLE	1
14	90134127000	Oill seal ring	1
15	90230060001	STOPPER SHAFT SEAL RING	1
16	90130078001	FLANGED BOLT 6X12	2
17	90130024000	PIN DOWEL 8X6,4X14MM	2
18	90130064000	OIL JET	2
19	90232048004	PULL ROD	1

169383020

49291

* NEW PART

X ON DEMAND



POS	PARTNUMBER	PARTNAME	PIECE
1	90230057100	BALANCER SHAFT	1
2	J625063041	DEEP GR. BALL BEAR.6304 HN3 C3	2
3	90130055000	DRIVE WHEEL BALANCER SHAFT	1
4	90130055001	CLUTCH HUB DRIVE WHEEL BAL.SHA	1
5	90130057150	Washer 8,2X26X3	1
8	90130055006	SPACER SHIM	1
9	90135058000	DOME NUT WAPU-WHEEL	1
10	90130055103	Special screw	1
11	90230079000	STOPPER BALANCER SHAFT BEARING	1
12	90130078001	FLANGED BOLT 6X12	1

169023030

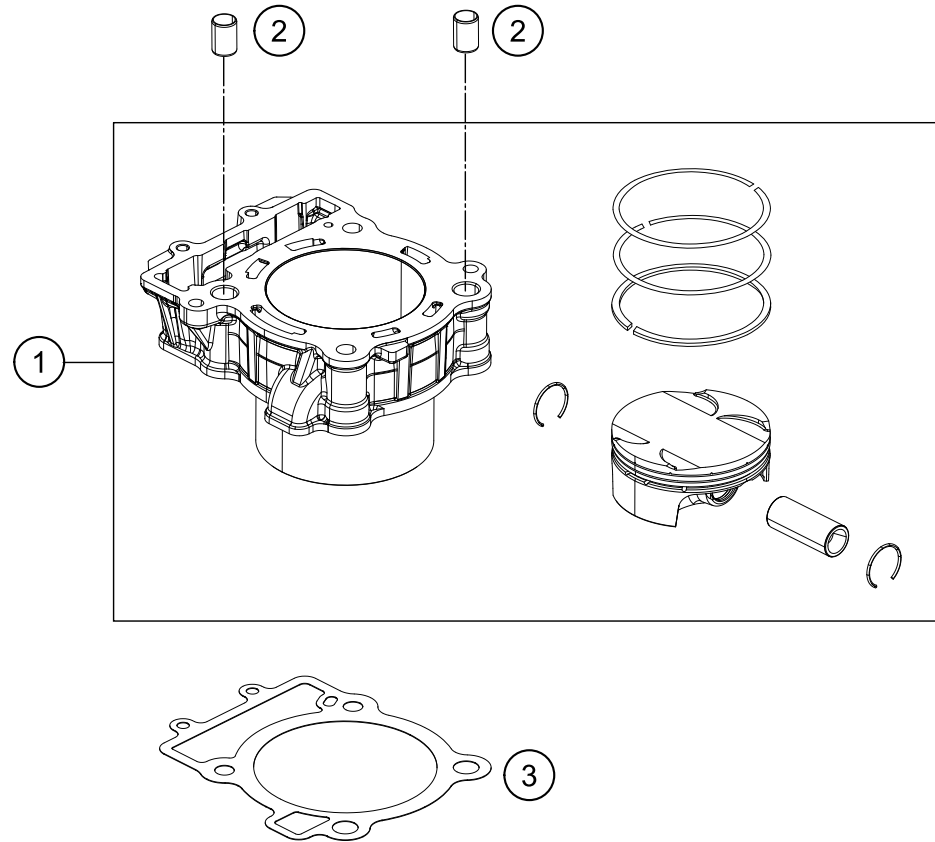
17747

* NEW PART

X ON DEMAND

CYLINDER

Motor 390 RC 2019



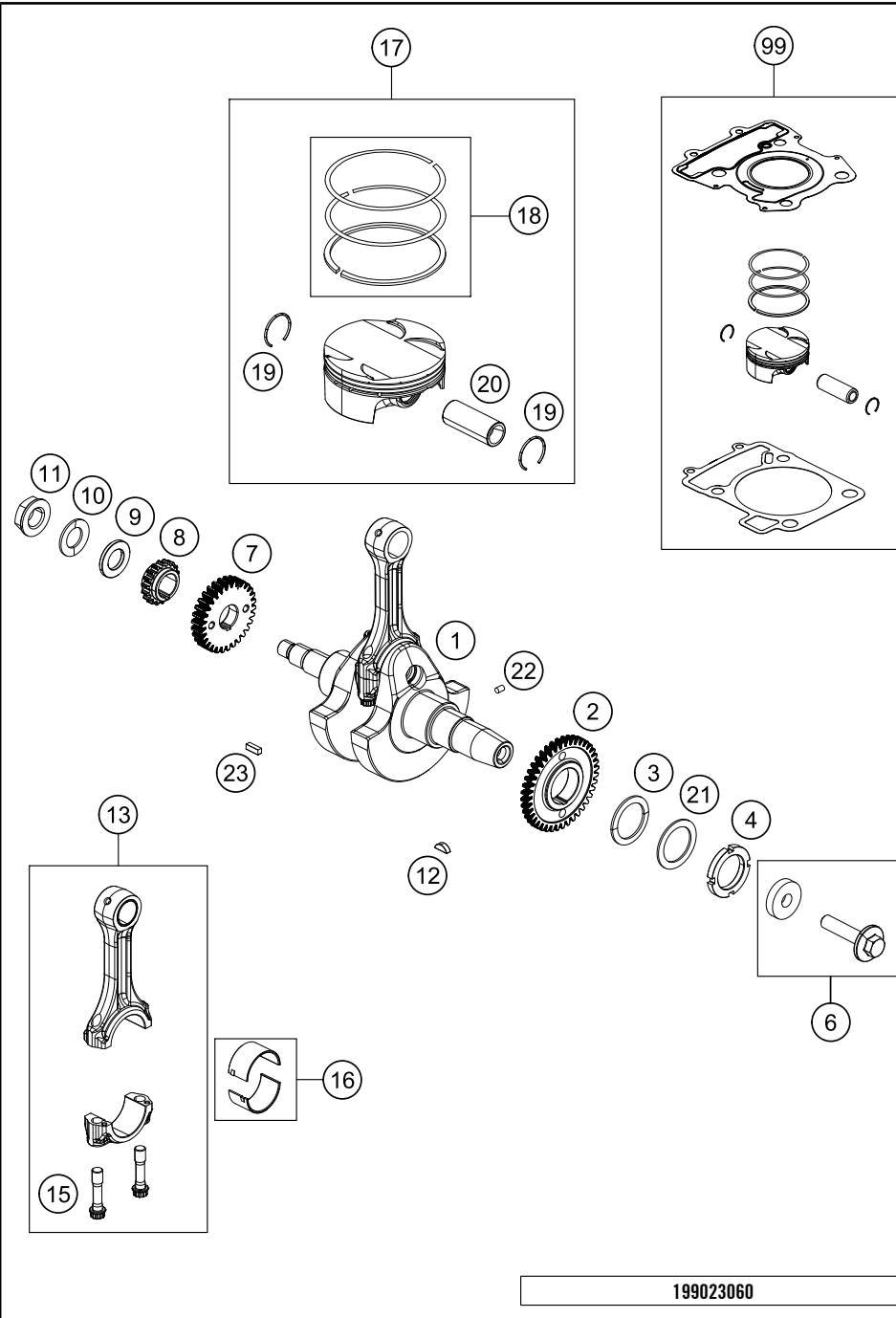
POS	PARTNUMBER	PARTNAME	PIECE
1	90230038000	CYLINDER + PISTON CPL.	1
2	90130003007	DOWEL D14	2
3	90230035000	GASKET CYLINDER BLOCK	1

139023040

14061

* NEW PART

X ON DEMAND



POS	PARTNUMBER	PARTNAME	PIECE
1	93830018100	Crankshaft assemby comp	1
2	90230055000	GEAR BALANCER DRIVE	1
3	90230069000	CONICAL WASHER 28,35X38X1,75	1
4	90130018008	NUT FOR DRIVE WHEEL AGW	1
6	90239005050	ROTOR SCREW CPL.	1
7	90232023030	PRIMARY GEAR 30T	1
8	90236014000	SPROCKET CRANKSHAFT	1
9	90236015000	WASHER PLAIN	1
10	90236015001	SPECIAL WASHER	1
11	90230029000	NUT M16X1,5	1
12	J888040050	WOODRUFF KEY 4X5X13	1
13	93830015033	Pleuel kpl.	1
15	90230015013	CON ROD SCREW	2
16	90230015010	CONROD BEARING SHELL	1
16	90230015011	CONROD BEARING SHELL (GREEN)	x
16	90230015012	CONROD BEARING SHELL (BLUE)	x
17	90230007000	PISTON CPL.	1
18	90230030010	PISTON RINGS CPL.	1
19	90230074000	RING SNAP	2
20	90230033000	PISTON PIN	1
21	90230068000	PLAIN WASHER 28,2X39X1,5	1
22	90134013000	Parallel pin	1
23	J888040150	Woodruff key 4X4X12	1
99	90230007010	PISTON KIT 390 DUKE 2013	1

199023060

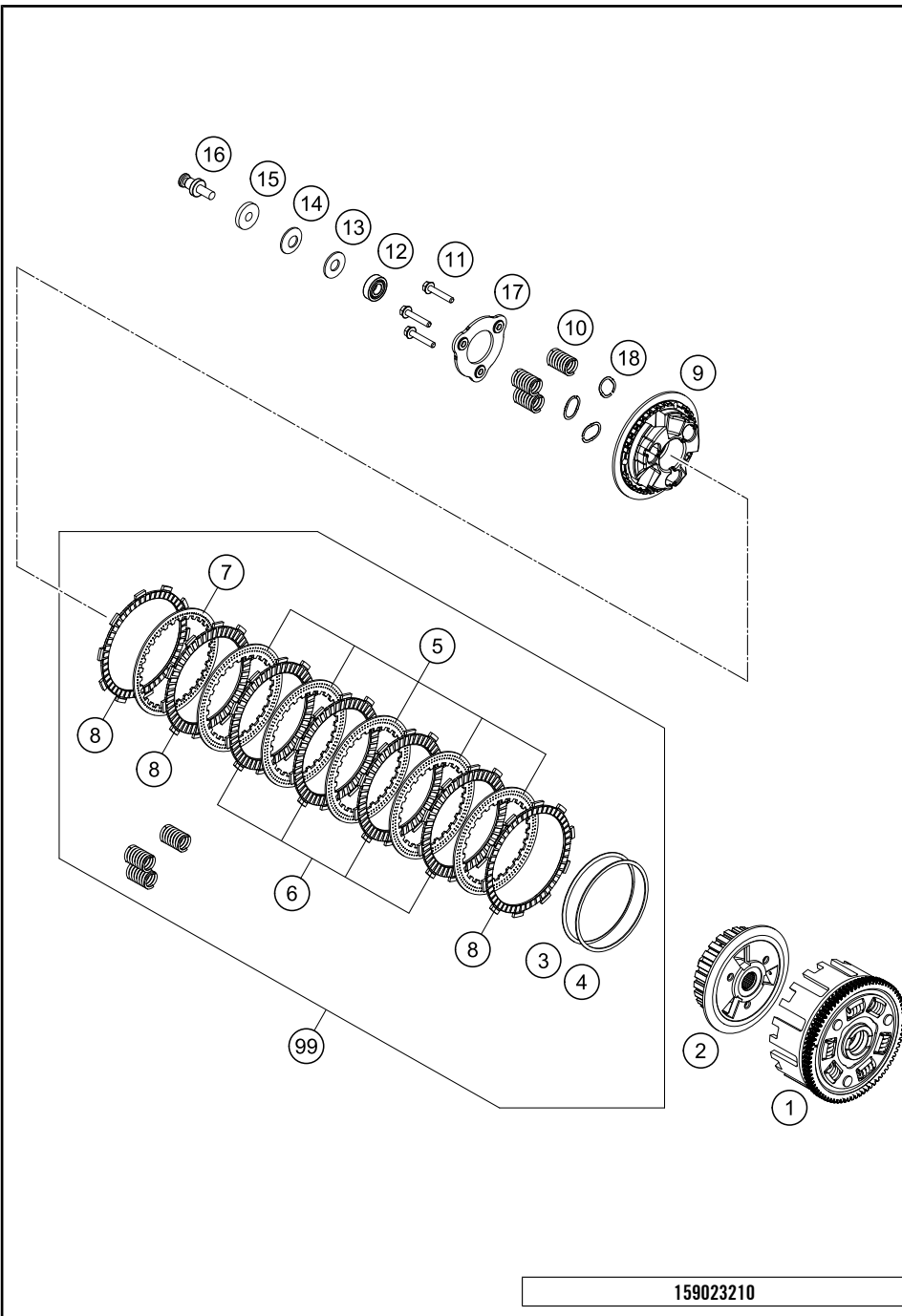
51932

* NEW PART

X ON DEMAND

CLUTCH

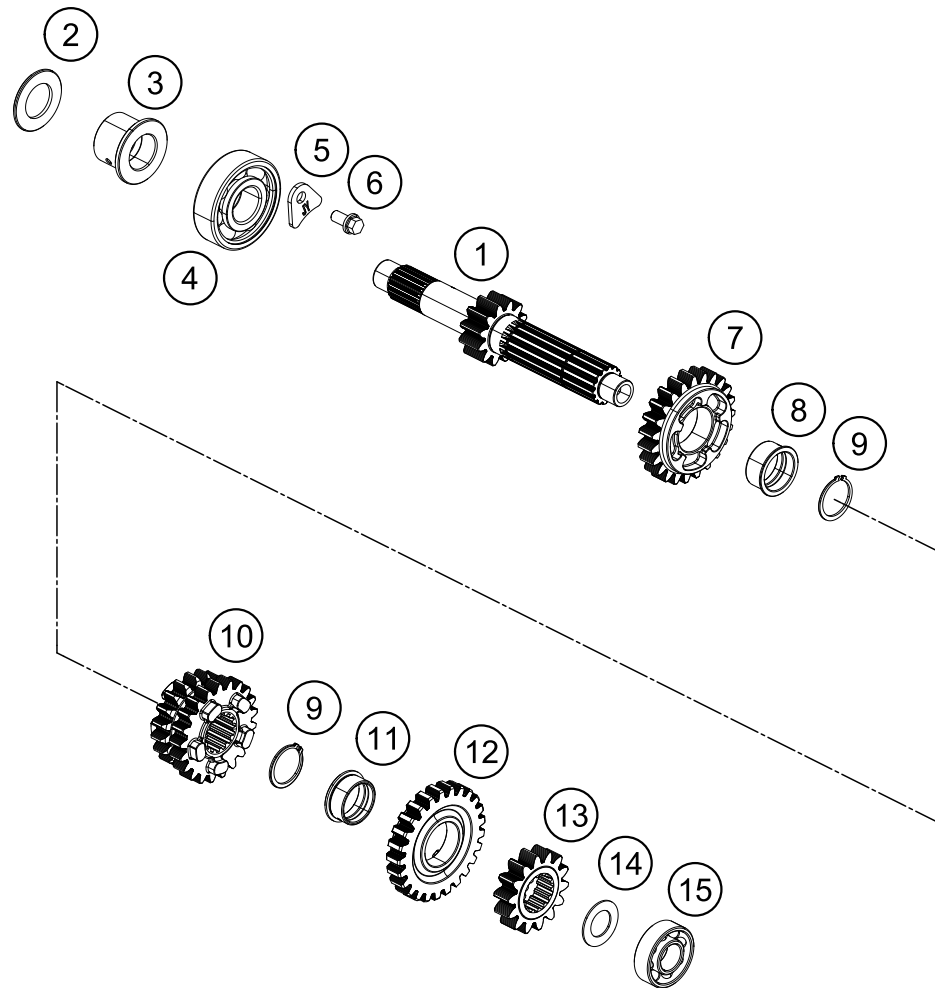
Motor 390 RC 2019



POS	PARTNUMBER	PARTNAME	PIECE
1	93832101033	Outer clutch hub	1
2	90232102000	INNER CLUTCH HUB	1
3	90232134000	JUDDER SPRING	1
4	90232135000	SEAT JUDDER SPRING	1
5	90232010100	INTERMEDI. DISC A	5
6	90232011000	LINING DISC	4
7	90232110000	INTERMEDI. DISC B	1
8	90232211000	LINING DISC TURNED OFF	3
9	90232103000	PRESSURE PLATE	1
10	90232105000	CLUTCH SPRING	3
11	90232101101	HH COLLAR SCREW M6X35	3
12	J625069020	BALL BEARING 6902 15X28X7	1
13	90232017000	SHIM	1
14	90236015001	SPECIAL WASHER	1
15	90232019000	NUT F. CLUTCH	1
16	90232048004	PULL ROD	1
17	90232006000	STOPPER PLATE	1
18	90232004000	SPRING SEAT	3
99	90232111010	CLUTCH KIT 390 DUKE 15	x

51436

* NEW PART X ON DEMAND



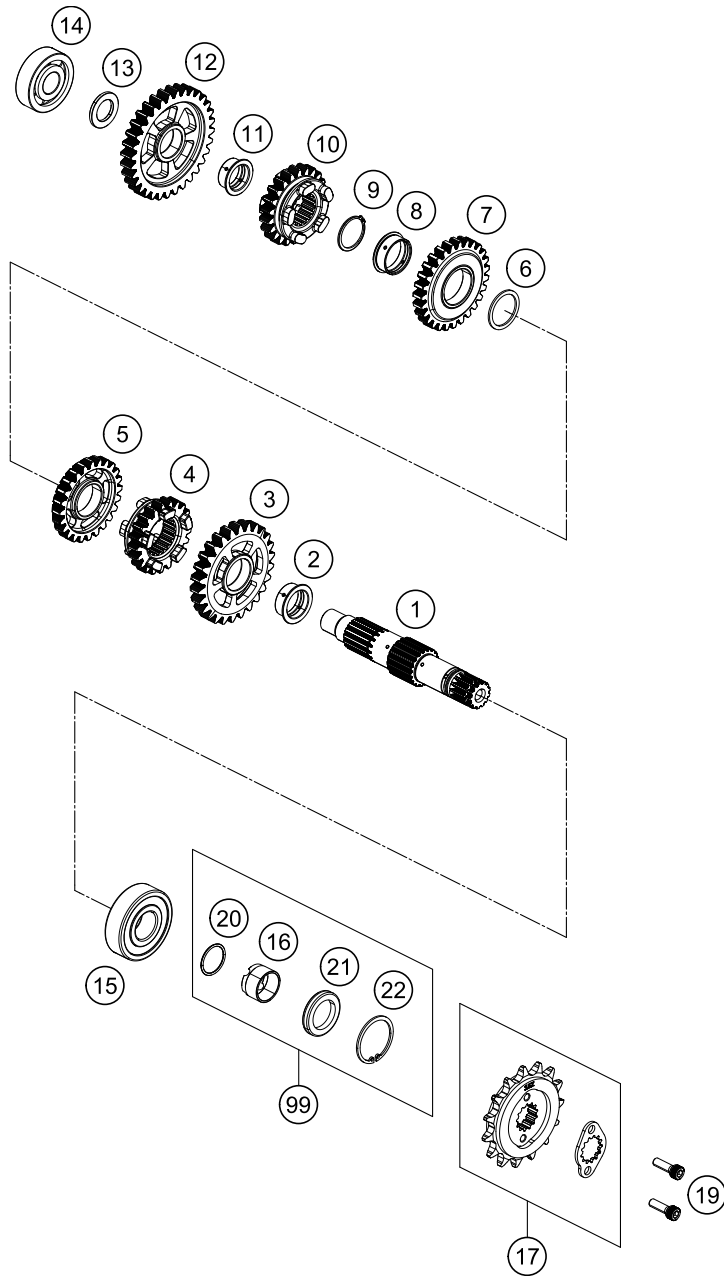
POS	PARTNUMBER	PARTNAME	PIECE
1	90233001000	MAIN SHAFT	1
2	90232020000	WASHER	1
3	90232016000	COLLAR BUSH	1
4	J625063040	DEEP GROOVE BALL BEARING 6304	1
5	90230079000	STOPPER BALANCER SHAFT BEARING	1
6	90130078001	FLANGED BOLT 6X12	1
7	90233005000	GEAR 5TH DRIVE	1
8	90233005001	COLLAR BUSH	1
9	J471020123	CIRCLIP 20,5X1,2	2
10	90233003000	GEAR 3RD/4TH DRIVE	1
11	90233006001	COLLAR BUSH	1
12	90233006000	GEAR 6TH DRIVE	1
13	90233002000	GEAR 2ND DRIVE	1
14	90233036000	WASHER TRUST 2ND DRIVE	1
15	J625062122	BALL BEARING 15X35X11-C3-1	1

139023330

14068

* NEW PART

X ON DEMAND



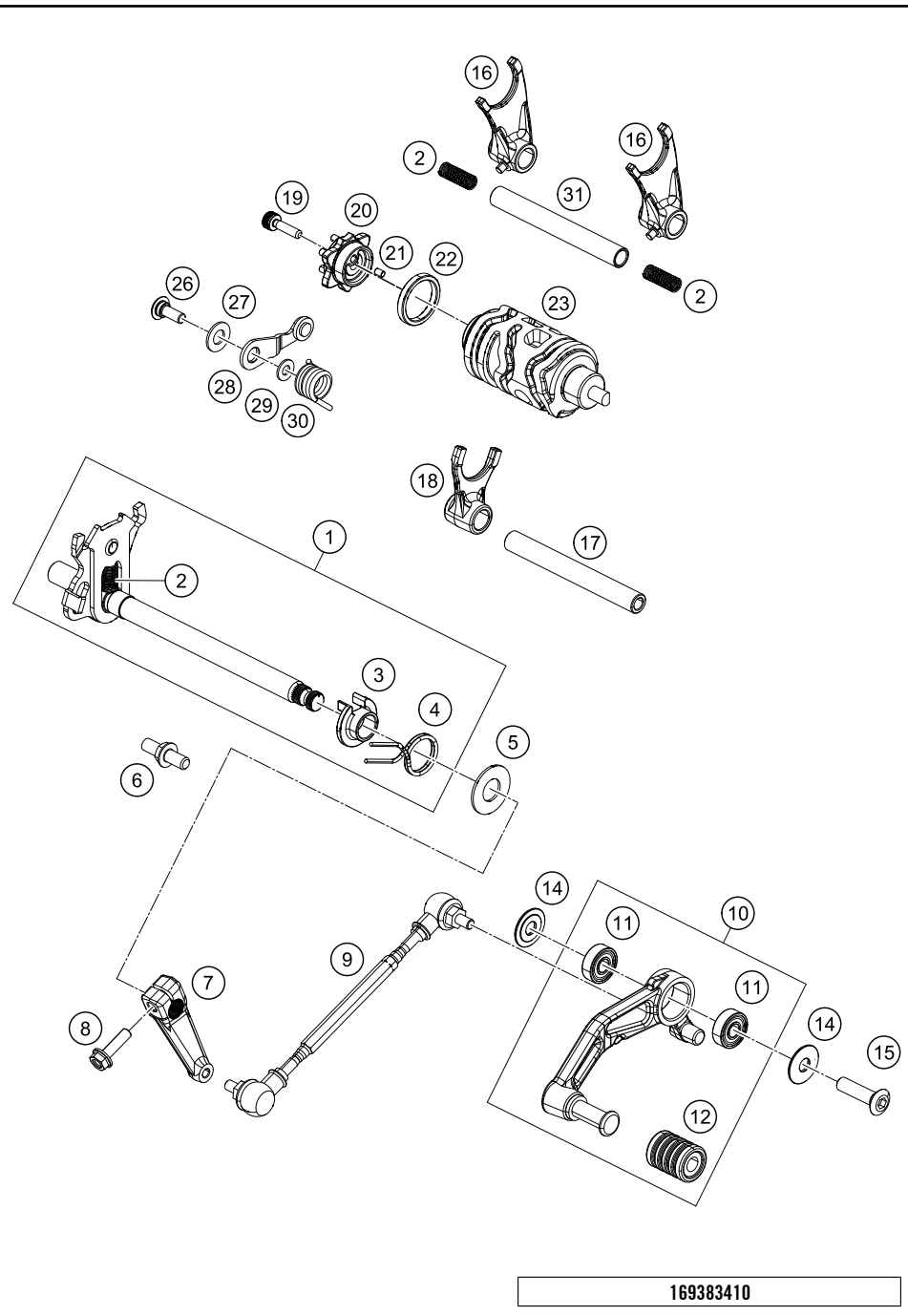
149023361

POS	PARTNUMBER	PARTNAME	PIECE
1	90233010010	COUNTERSHAFT CPL.	1
2	90233012001	COLLAR BUSH	1
3	90233012000	GEAR 2ND DRIVEN	1
4	90233016000	GEAR 6TH DRIVEN	1
5	90233014000	GEAR 4TH DRIVEN	1
6	90233037000	THRUST WASHER	1
7	90233013000	GEAR 3RD DRIVEN	1
8	90233013001	COLLAR BUSH	1
9	J472023120	CIRCLIP 23,5X1,2	1
10	90233015000	GEAR 5TH DRIVEN	1
11	90233011001	COLLAR BUSH	1
12	90233011000	GEAR 1ST DRIVEN	1
13	90233038000	THRUST WASHER	1
14	90233010001	DEEP GROOVE BALL BEARING	1
15	J625063320	BALL BEARING 22X56X16-C3L-	1
16	90233030000	BUSHING SPROCKET	1
17	90833029044	SPROCKET 15T W. LOCKING PLATE	1
19	90110057000	BOLT M6X10	2
20	J770019515	O-RING 19,5X1,5	1
21	90230077000	OIL SEAL OUTPUT SHAFT	1
22	J472037150	CIRCLIP 37X1,5	1
99	90233030044	SEALING KIT COUNTERSHAFT	x

15574

* NEW PART

X ON DEMAND



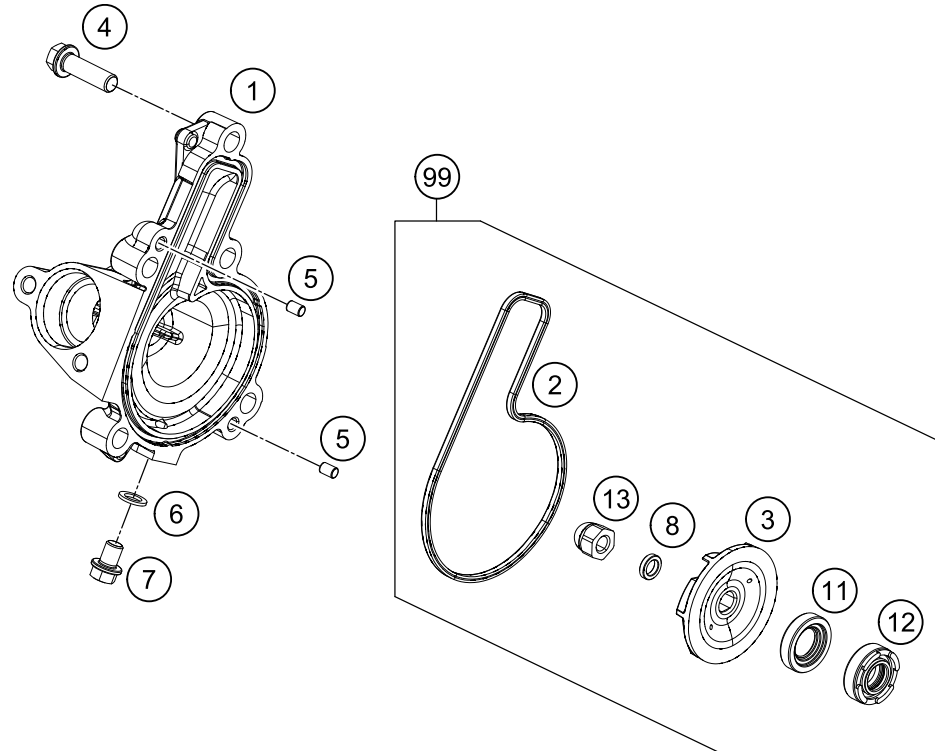
POS	PARTNUMBER	PARTNAME	PIECE
1	90234005033	SHIFT SHAFT CPL.	1
2	90234039000	SPRING SHIFT RAIL	3
3	90134022000	SPRING BUSHING	1
4	90134014000	RETURN SPRING	1
5	90134050000	STOP DISK 14X30X1,5	1
6	90134016000	SPRING GUIDE	1
7	90634031010	BAFFLE SHIFT LEVER	1
8	J025060223	HH COLLAR SCREW M6X22 SW10	1
9	90534040033	TENSION ROD CPL.	1
10	90134031144	SHIFTING LEVER CPL.	1
11	J625060800	BALL BEARING 608	2
12	90134035000	GEAR SHIFT LEVER RUBBER	1
14	90534031020	WASHER SHIFTING LEVER	2
15	90534034300	BOLT SHIFT LEVER	1
16	90234002000	SHIFT FORK	2
17	90234019000	SHIFT RAIL	1
18	90234001000	SHIFT FORK	1
19	90134015003	AH SCREW M6X20 SELF LOCKING	1
20	90134015000	SHIFT DRUM LOCATING	1
21	90134013000	Parallel pin	1
22	90134012002	SPACER	1
23	93834012000	DRUM GEAR SHIFT	1
26	90134025000	SCREW LOCKING LEVER	1
27	90134030000	WASHER LOCKING LEVER	1
28	90134024033	LOCKING LEVER CPL.	1
29	90134039000	WASHER 6X12,8X1,2	1
30	90134023000	ARRESTING LEVER SPRING	1
31	93834020000	Gear shift rail	1

169383410

17797

* NEW PART

X ON DEMAND



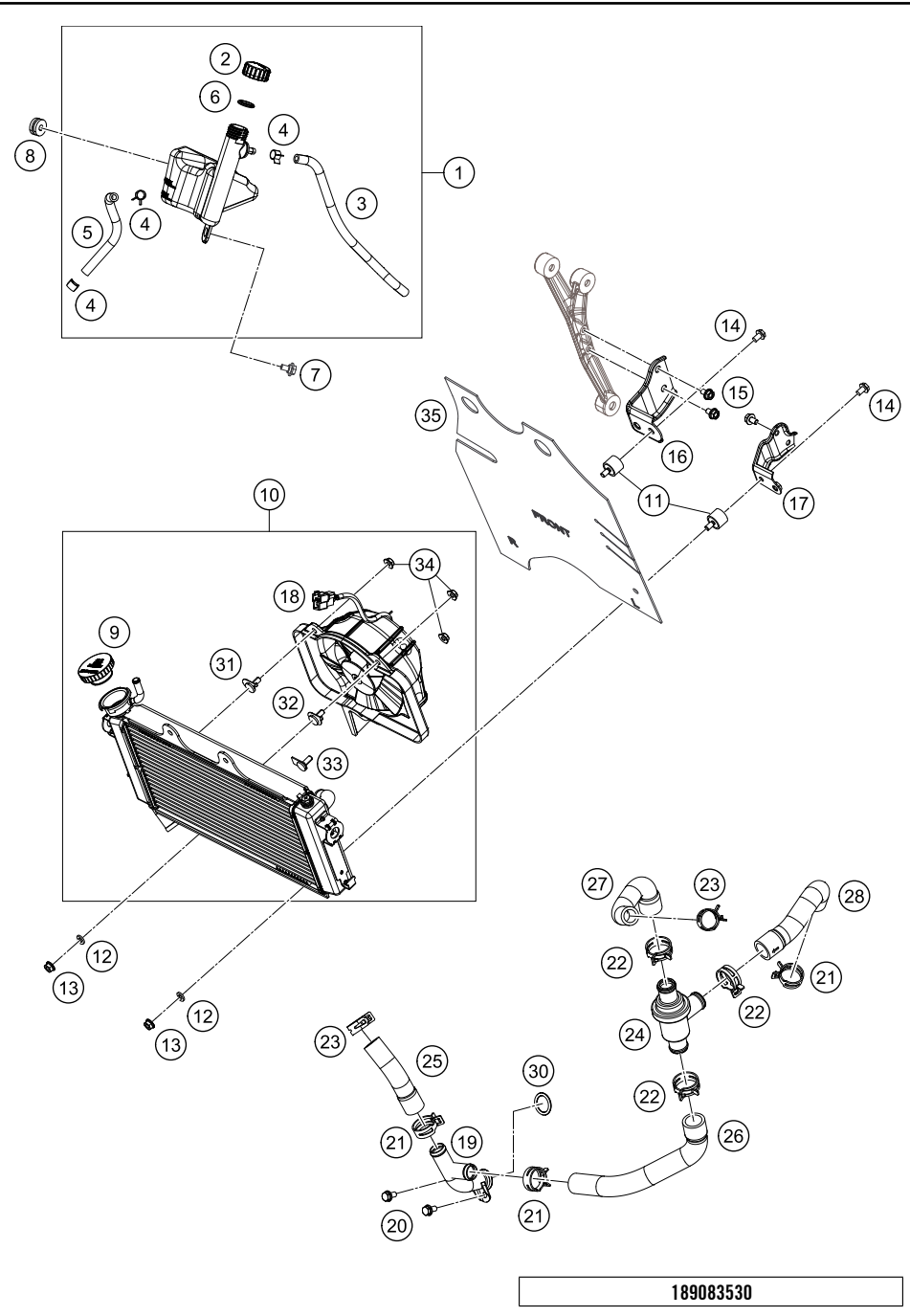
POS	PARTNUMBER	PARTNAME	PIECE
1	91235052000	WATER PUMP COVER	1
2	90135053000	WATER PUMP COVER GASKET	1
3	90135055000	WATER PUMP ROTOR	1
4	J025060204	Hex collar screw M6X20	5
5	90134013000	Parallel pin	2
6	J603061001	COPPER GASKET	1
7	90110057000	BOLT M6X10	1
8	90130055006	SPACER SHIM	1
11	J760122455	SHAFT SEALING RING 12X24X5,5	1
12	0760122406	Shaft seal ring 12x24x6	1
13	90135058000	DOME NUT WAPU-WHEEL	1
99	90135055210	Water pump rep. kit duke	x

179023510

50481

* NEW PART

X ON DEMAND



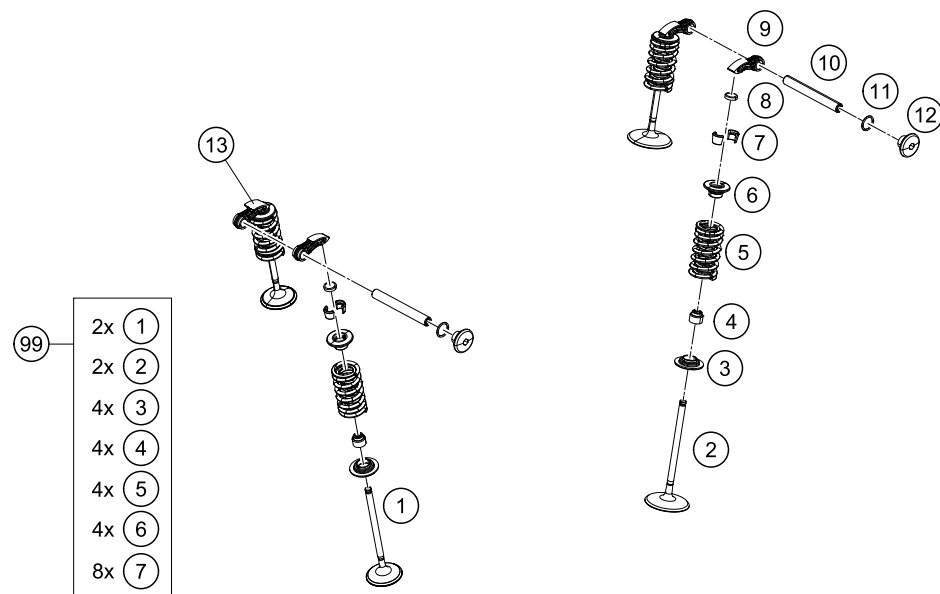
POS	PARTNUMBER	PARTNAME	PIECE
1	90535065033	EXPANSION TANK CPL.	1
2	90135066000	PLUG F. EXPANSION TANK	1
3	90507013008	TUBE DRAIN	1
4	90107018011	CLAMP 10MM	3
5	90135067050	HOSE 6X10X154 MM	1
6	90102055000	COMPENSATING TANK O-RING	1
7	90135074000	SPECIAL SCREW M6X12 FLANGED	1
8	90135065050	GROMMET EXPANSION TANK	1
9	90135016100	RADIATOR CAP	1
10	93535010044	radiator assembly	1
11	90235001001	silentbloc M6	4
12	J127060003	WASHER SPRING B6	4
13	J926060000	FLANGED NUT M6 WS10 SELF LOCK.	4
14	J026060083	HH COLLAR SCREW M6X8 SW10	4
15	J025060103	HH COLLAR SCREW M6X10 SW10	4
16	90803001183	BRACKET RADIATOR L/S	1
17	90803001083	BRACKET RADIATOR R/S	1
18	93535141044	radiator fan assembly	1
19	90635071033	COOLANT PIPE T	1
20	J028060143	BOLT FLANGED M6X14	2
21	90135020001	hose clamp D26	3
22	90135020003	HOSE CLAMP D28	3
23	90135020002	hose clamp D24	2
24	90135017000	THERMOSTAT	1
25	90835024030	COOLING HOSE RADIATOR-PIPE "T"	1
26	90235024010	HOSE COOLANT THERM. TO T-PIPE	1
27	90835024020	COOLING HOSE THERMOSTAT	1
28	90235025000	HOSE COOLANT ENGINE - THERM.	1
30	J770018530	O-RING 18,5X3	1
31	90835041001	BRACKET FAN MOUNTING 1	1
32	90835041002	BRACKET FAN MOUNTING 2	1
33	90835041003	BRACKET FAN MOUNTING 3	1
34	90835041004	FLANGED NUT	3
35	93505290000	shield	1

189083530

50020

* NEW PART

X ON DEMAND



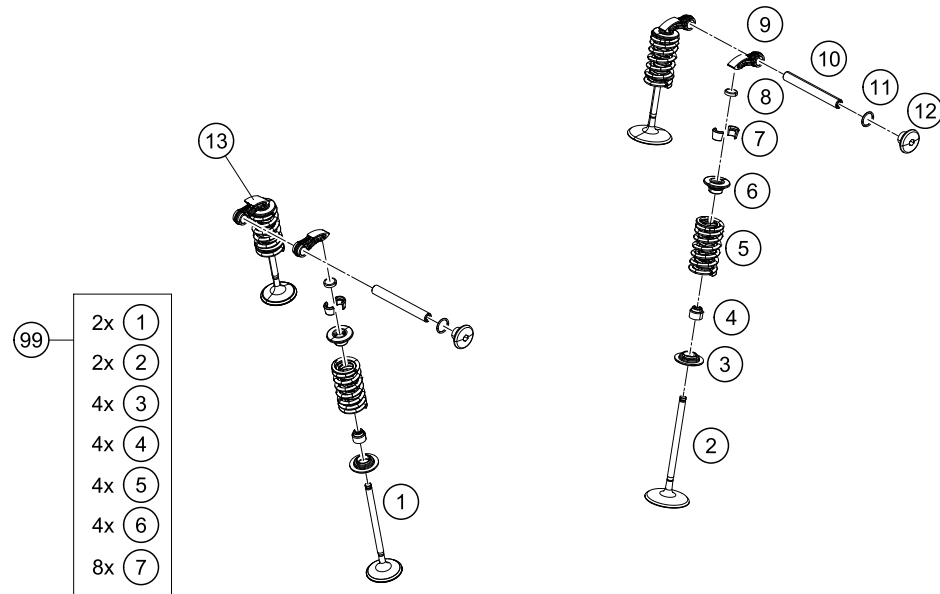
POS	PARTNUMBER	PARTNAME	PIECE
1	93836031000	Auslassventil	2
2	90236030000	INTAKE VALVE	2
3	90236036000	valve spring washer	4
4	90236027000	valve stem seal	4
5	90236028010	VALVE SPRING SET	4
6	90236032000	VALVE SPRING RETAINER	4
7	90236033000	VALVE COLLET	8
8	60036035185	SHIM D=10/1,85 03	x
8	60036035190	SHIM D=10/1,90 03	x
8	60036035195	SHIM D=10/1,95 03	x
8	60036035200	SHIM D=10/2,00 03	x
8	60036035205	SHIM D=10/2,05 03	x
8	60036035210	SHIM D=10/2,10 03	x
8	60036035215	SHIM D=10/2,15 03	x
8	60036035220	SHIM D=10/2,20 03	x
8	60036035225	SHIM D=10/2,25 03	x
8	60036035230	SHIM D=10/2,30 03	x
8	60036035235	SHIM D=10/2,35 03	x
8	60036035240	SHIM D=10/2,40 03	x
8	60036035245	SHIM D=10/2,45 03	x
8	60036035250	SHIM D=10/2,50 03	x
8	60036035255	SHIM D=10/2,55 03	x
8	60036035260	SHIM D=10/2,60 03	x
8	60036035265	SHIM D=10/2,65 03	x
8	60036035270	SHIM D=10/2,70 03	x
8	60036035275	SHIM D=10/2,75 03	x
8	60036035280	SHIM D=10/2,80 03	x
8	60036035285	SHIM D=10/2,85 03	x
8	60036035290	SHIM D=10/2,90 03	x
8	60036035295	SHIM D=10/2,95 03	x
8	60036035300	SHIM D=10/3,00 03	x
8	60036035305	SHIM D=10/3,05 03	x
8	60036035310	SHIM D=10/3,10 03	x
8	60036035315	SHIM D=10/3,15 03	x
8	60036035320	SHIM D=10/3,20 03	x
8	60036035330	SHIM D=10/3,3	x
9	90136060000	cam follower	3
10	90236056000	VALVE LEVER SHAFT	2

139023610

51788

* NEW PART

X ON DEMAND



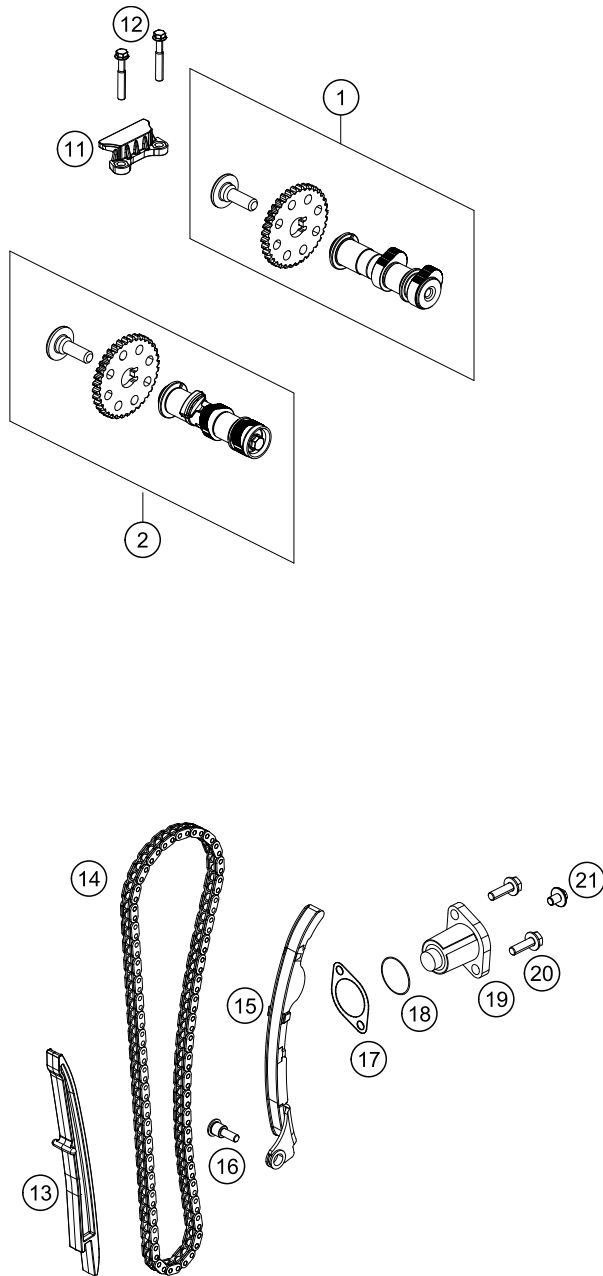
POS	PARTNUMBER	PARTNAME	PIECE
11	J770010312	O-RING 10,3X1,2 MM	2
12	90136056001	SCREW PLUG	2
13	90236060000	VALVE LEVER	1
99	90236030010	VALVE KIT 390 DUKE	x

139023610

51788

* NEW PART

X ON DEMAND



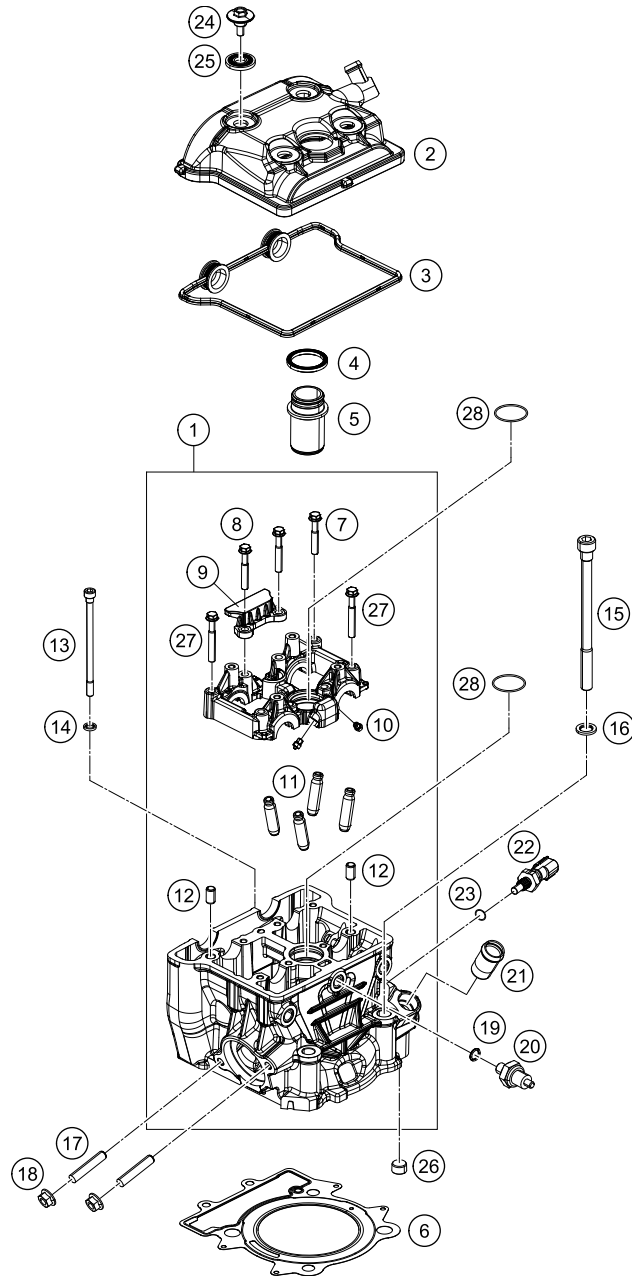
POS	PARTNUMBER	PARTNAME	PIECE
1	93836009033	Nockenwelle Einlass kpl.	1
2	93836010033	Nockenwelle Auslass kpl.	1
11	90236018000	CHAIN GUIDE TOP	1
12	J025060453	HH COLLAR SCREW M6X45	2
13	90236001000	TIMING CHAIN GUIDE	1
14	90236013000	TIMING CHAIN	1
15	90236002000	TENSIONER RAIL CPL.	1
16	90236002004	SCREW TENSIONER RAIL	1
17	90136003003	GASKET CHAIN ADJUSTER	1
18	J770010015	O-RING 10,15X1,5	1
19	90236003044	CHAIN ADJUSTER	1
20	J025060204	Hex collar screw M6X20	2
21	90136003002	SPECIAL SCREW 6X6	1

169383620

51628

* NEW PART

X ON DEMAND



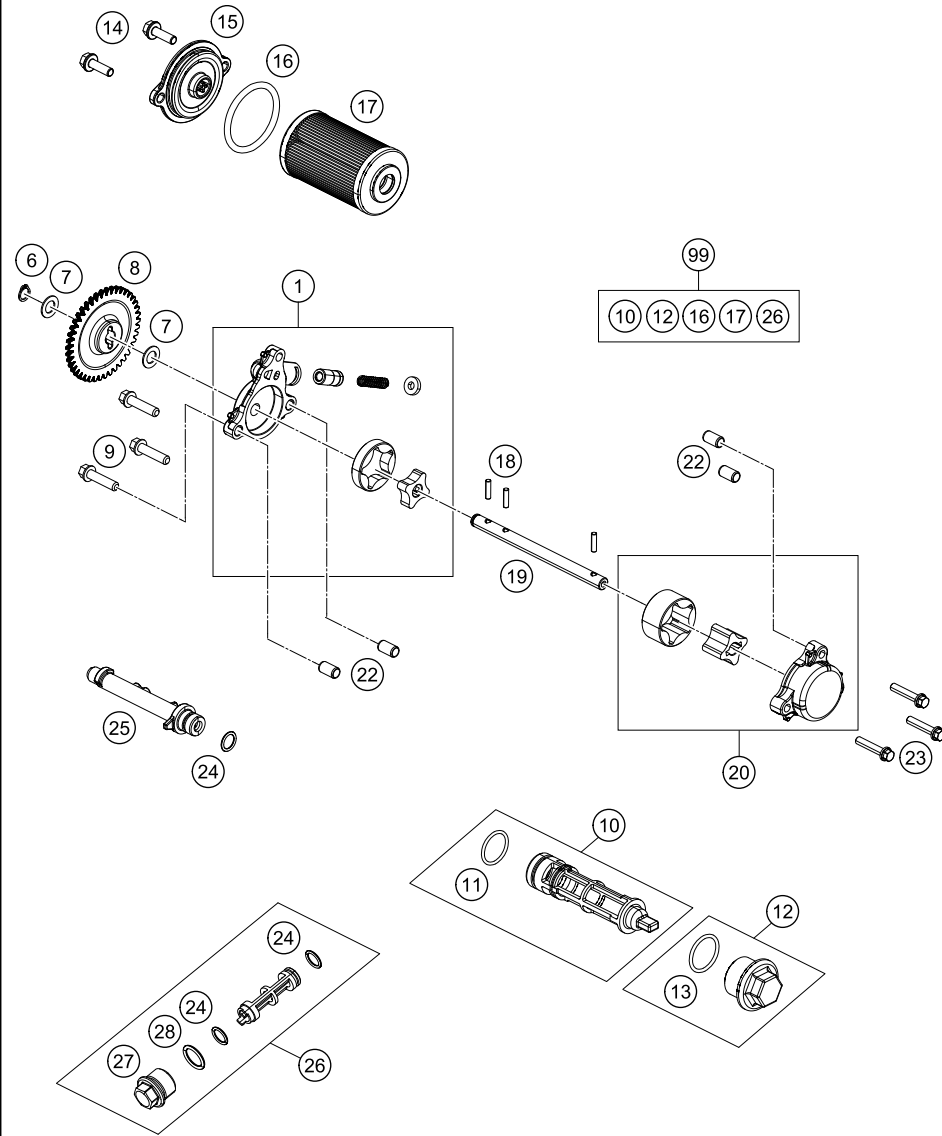
POS	PARTNUMBER	PARTNAME	PIECE
1	90236020033	CYLINDER HEAD CPL.	1
2	93836052000	Valve mechanism cover compl.	1
3	93836053000	Gasket rubber	1
4	90236054000	GASKET SPARK PLUG SHAFT	1
5	90236074000	SPARK PLUG SHAFT	1
6	90230036000	CYLINDER HEAD GASKET	1
7	J025060356	HH-COLLAR SCREW M6X35 WS8	4
8	J025060453	HH COLLAR SCREW M6X45	2
9	90236018000	CHAIN GUIDE TOP	1
10	90130064000	OIL JET	4
11	90236025000	VALVE GUIDE	4
12	90130024000	PIN DOWEL 8X6,4X14MM	2
13	J912061023	SOCKET HEAD SCREW M6X102	2
14	J125070003	WASHER 7X11X2	2
15	J912101449	SOCKET HEAD SCREW M10X144	4
16	J125110003	WASHER 11,2X18X2	4
17	90136020001	STUD M8	2
18	90136038000	FLANGED NUT M8 H7,5 WS12	2
19	90138091001	O-RING	1
20	90138091000	OIL PRESSURE SENSOR	1
21	90235019000	PIPE COOLANT	1
22	90135047000	TEMPERATURE SENSOR	1
23	90135047001	O-RING	1
24	90136052020	VALVE COVER SCREW	4
25	90136052010	DECOUPLING ELEMENT	4
26	90236024000	PLUG	1
27	J025060401	HH COLLAR SCREW M6X40	2
28	J770029819	O-RING 29,8X1,9	2

139023630

49970

* NEW PART

X ON DEMAND



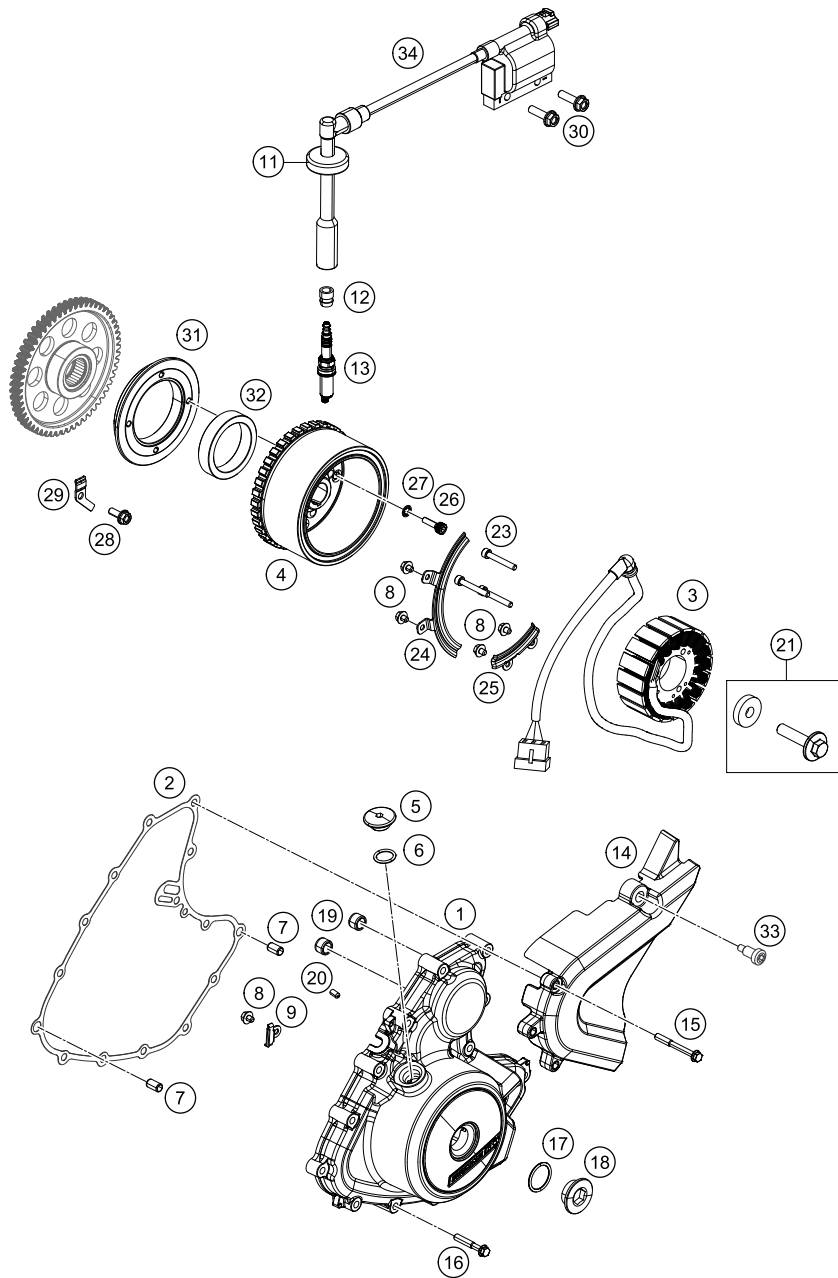
POS	PARTNUMBER	PARTNAME	PIECE
1	90238010044	OIL PUMP CPL.	1
6	J471010100	Seeger ring 10X1,0	1
7	J125100006	WASHER 10,2X18X1	2
8	90238001000	GEAR OIL PUMP	1
9	J028060303S	HH COLLAR SCREW M6X30 WS8	3
10	90238015033	MESH STRAINER CPL.	1
11	J770017721	O-RING 17,7X2,1 MM	1
12	90138015050	CLOSURE CAP OIL SCREEN	1
13	90138015052	O-RING	1
14	J025060161	Hex collar screw M6X16	2
15	90138006000	OIL FILTER CAP	1
16	J770039326	O-RING 39,34X2,62	1
17	90138015000	OIL FILTER	1
18	90238003000	PARALLEL PIN	3
19	90238002000	SHAFT OIL PUMP	1
20	90238008044	OIL PUMP CPL.	1
22	90130024000	PIN DOWEL 8X6,4X14MM	4
23	J028060303S	HH COLLAR SCREW M6X30 WS8	3
24	J7700090151	O-RING 9X1,5	3
25	90238013000	OIL RAIL	1
26	90238016044	MESH STRAINER CPL.	1
27	90238017000	CAP STRAINER	1
28	J770012520	O-RING 12,5X2	1
99	90238015010	OILFILTER SERVICE KIT 390 DUKE	x

139023810

50781

* NEW PART

X ON DEMAND



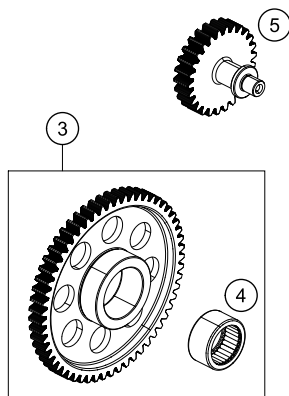
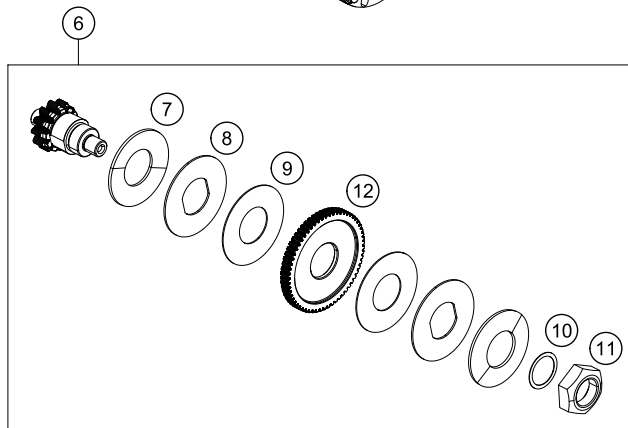
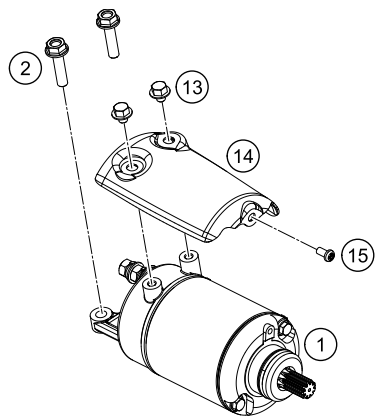
POS	PARTNUMBER	PARTNAME	PIECE
1	93730002000	IGNITION COVER	1
2	93730040000	GASKET IGNITION COVER	1
3	93739004100	Stator compl.	1
4	90839005000	ROTOR CPL.	1
5	90139010000	PLUG	1
6	J770015824	O-RING 15,8X2,4	1
7	90130024000	PIN DOWEL 8X6,4X14MM	2
8	J025060083S	HH COLLAR SCREW M5X6	5
9	90230062000	BRACKET HARNESS MAGNETO	1
11	90239090001	RUBBER GASKET SPARK PLUG	1
12	93839091000	Dichtmanschette Zündkerze	1
13	90239093000	SPARK PLUG M12X1,25	1
14	90230060002	front sprocket cover	1
15	J025060500	FLANGED BOLT M6X50 WS8	3
16	J025060353	Hex collar screw M6X35	12
17	J770024015	O-RING 24X2,5	1
18	90230094000	PLUG SCREW M24X1,5	1
19	90240018000	BUSH STARTER SHAFT	2
20	90230066300	OIL NOZZLE	1
21	90239005050	ROTOR SCREW CPL.	1
23	90530002010	SOCKET HEAD BOLT M5X0,8X40	3
24	90230058000	PLATE HARNESS MAGNETO	1
25	93730059000	PLATE HARNESS 2	1
26	90130001001	SOCKET HEAD SCREW M6X20	4
27	90130001002	TOOTHED LOCK WASHER	4
28	90130059000	HH COLLAR SCREW M6X16	1
29	90240020002	RETAINER GEAR STARTER	1
30	J025060209	HH COLLAR SCREW M6X20	2
31	90130001000	SUPPORT FREEWHEEL CLUTCH	1
32	90140026000	FREEWHEEL CLUTCH	1
33	90104060010	special screw M6x24 WS6	1
34	93339006033	Ignition coil compl.	1

199383910

51978

* NEW PART

X ON DEMAND



POS	PARTNUMBER	PARTNAME	PIECE
1	93840001000	ELECTRIC STARTER CPL.	1
2	J025060256	HH COLLAR SCREW M6X25 SW10	2
3	90240020000	GEAR STARTER CLUTCH CPL.	1
4	J618253216	NEEDLE ROLLER BEARING HK2516	1
5	90240022000	GEAR STARTER COUNTER	1
6	90240023033	GEAR STARTER COUNTER CPL.	1
7	90240023006	CONICAL WASHER	2
8	90240023005	WASHER	2
9	90240023004	PAD FRICTION	2
10	90240023007	SHIM STARTER 0,30MM	x
10	90240023008	SHIM STARTER 0,45MM	x
10	90240023009	SHIM STARTER 0,60MM	x
10	90240023010	SHIM STARTER 0,75MM	x
11	90240023003	NUT STARTER COUNTER	1
12	90240023002	GEAR STARTER COUNTER	1
13	J025060083S	HH COLLAR SCREW M5X6	2
14	93840012000	SHIELD STARTER MOTOR	1
15	J005040083	SCREW PAN CROSS M4X8	1

179024010

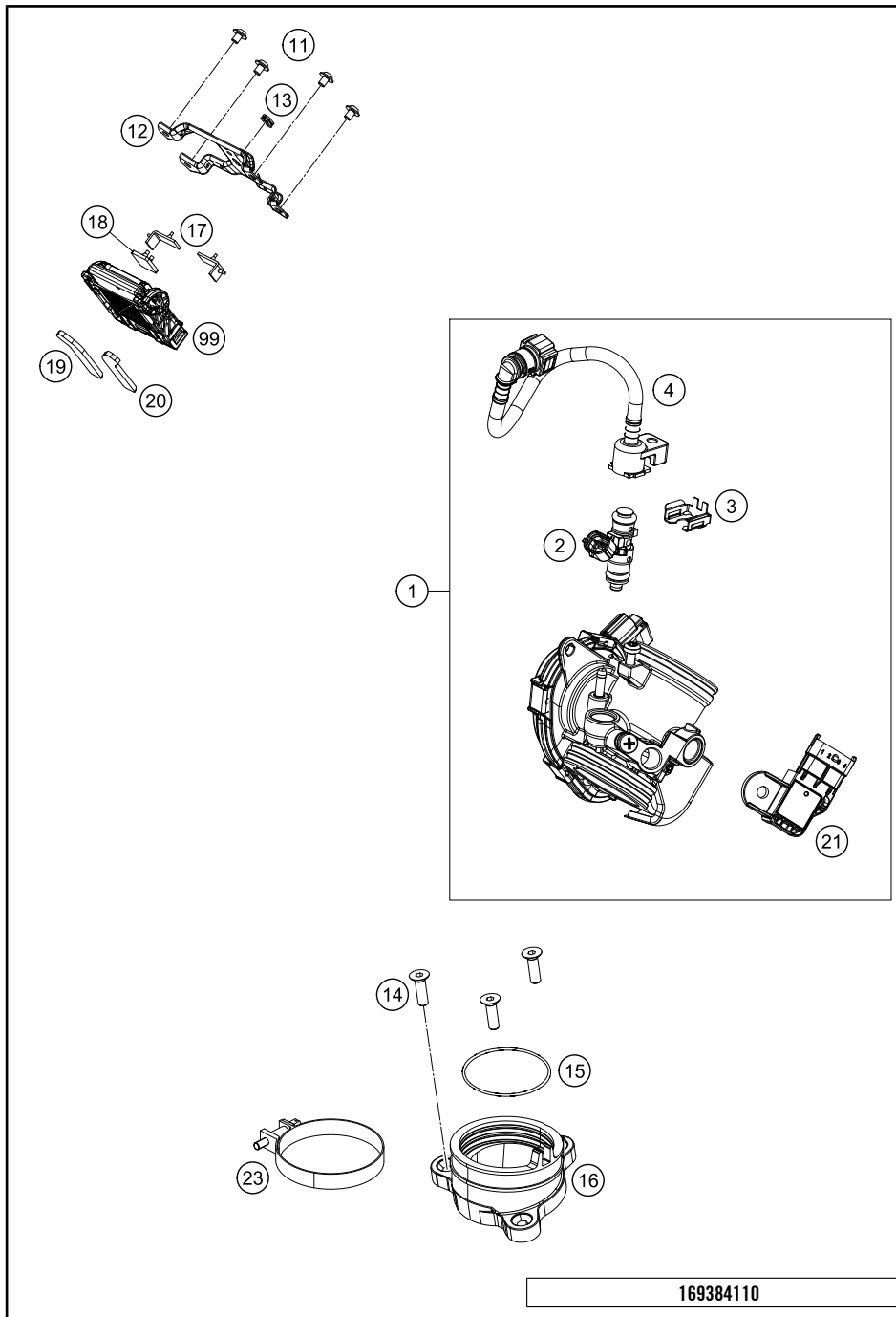
18954

* NEW PART

X ON DEMAND

THROTTLE BODY

Motor 390 RC 2019



POS	PARTNUMBER	PARTNAME	PIECE
1	93841001000	THROTTLE BODY	1
2	90241023000	FUEL INJECTOR	1
3	90141001001	INJECTOR CLIP	1
4	93841034000	FUEL HOSE CPL.	1
11	90508006004	SOCKET HEAD BOLT M6X1X8	4
12	93807017001	BRACKET ECU MTG TOP	1
13	93541034000	DAMPER ECU	1
14	J991060203S	COUNTERSUNK SCREW M6X20	3
15	J770053024	O-RING 53X2,4	1
16	90241002000	PIPE INTAKE	1
17	93841036000	rubber band, ECU	2
18	93841032000	rubber band, ECU, top	1
19	93841035000	rubber band, ECU, right	1
20	93841030000	rubber band, ECU, left	1
21	90141071000	TMAP-SENSOR	1
23	90241002010	hose clamp	1
99	93841031000	Control unit	1

169384110

17802

* NEW PART

X ON DEMAND

A large, empty rectangular box with a thin black border, occupying the majority of the page. It is intended for the student to write their notes during the lecture.

A large, empty rectangular box with a thin black border, occupying the majority of the page. It is intended for the student to write their notes during the lecture.

A large, empty rectangular box with a thin black border, occupying the majority of the page. It is intended for the user to write their notes.

WWW.KTM.COM



KTM Sportmotorcycle GmbH
5230 Mattighofen, Austria
www.ktm.com



KTM_POWERPARTS

KTM_POWERWEAR

KTM_ORIGINAL SPARE PARTS



081275SEN

Art. Nr.: 081275SEN 10. Jan 2019