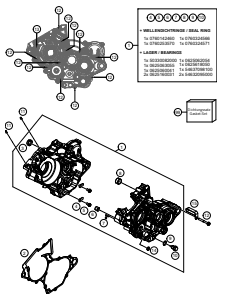
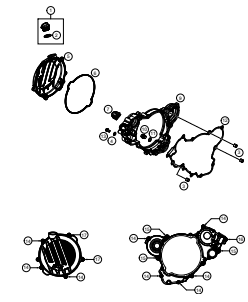
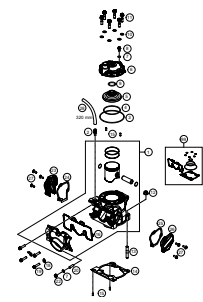
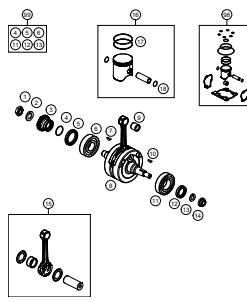
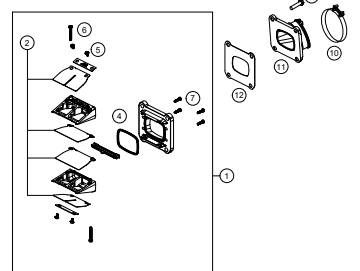
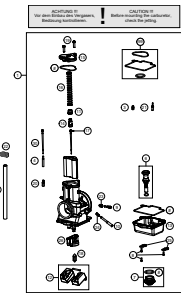
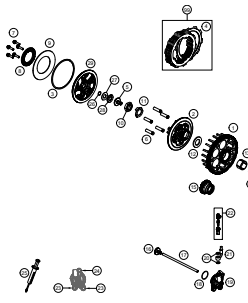
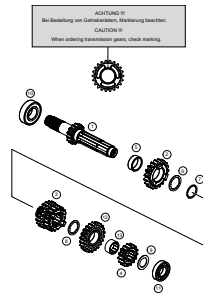
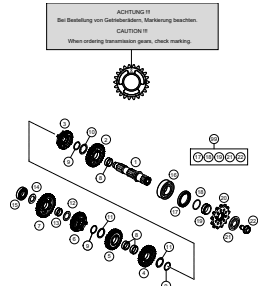
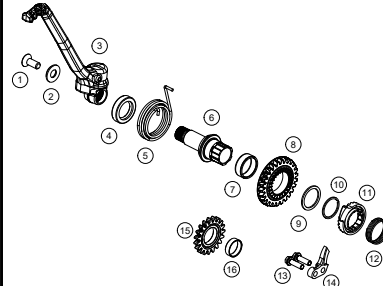
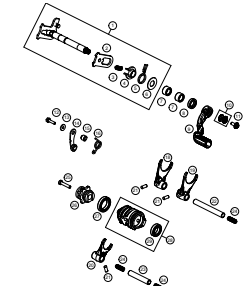
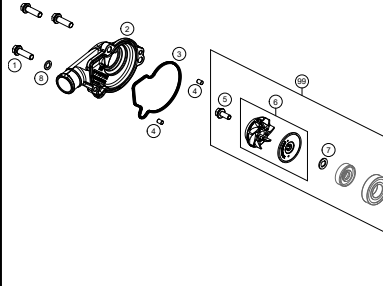


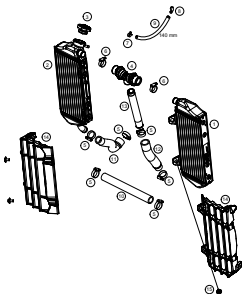
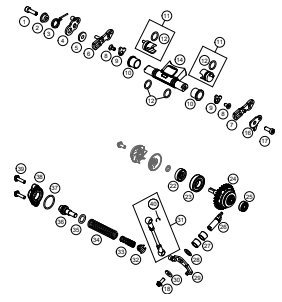
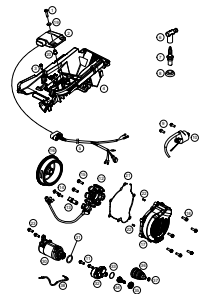
Engine 125 XC 2021 2021

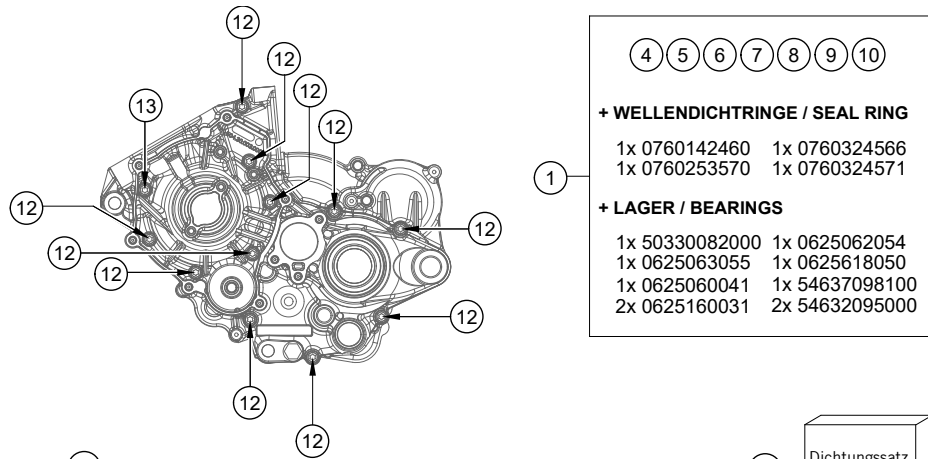
ART.-NR.: 081522UEN





<p>ENGINE CASE</p>  <p>3</p>	<p>CLUTCH COVER</p>  <p>4</p>	<p>CYLINDER, CYLINDER HEAD</p>  <p>5</p>	<p>CRANKSHAFT, PISTON</p>  <p>6</p>
<p>REED VALVE CASE</p>  <p>7</p>	<p>CARBURETOR</p>  <p>8</p>	<p>CLUTCH</p>  <p>11</p>	<p>TRANSMISSION I - MAIN SHAFT</p>  <p>12</p>
<p>TRANSMISSION II - COUNTERSHAFT</p>  <p>13</p>	<p>KICK STARTER</p>  <p>14</p>	<p>SHIFTING MECHANISM</p>  <p>15</p>	<p>WATER PUMP</p>  <p>16</p>

<p>COOLING SYSTEM</p>  <p>17</p>	<p>EXHAUST CONTROL</p>  <p>18</p>	<p>IGNITION SYSTEM</p>  <p>19</p>	



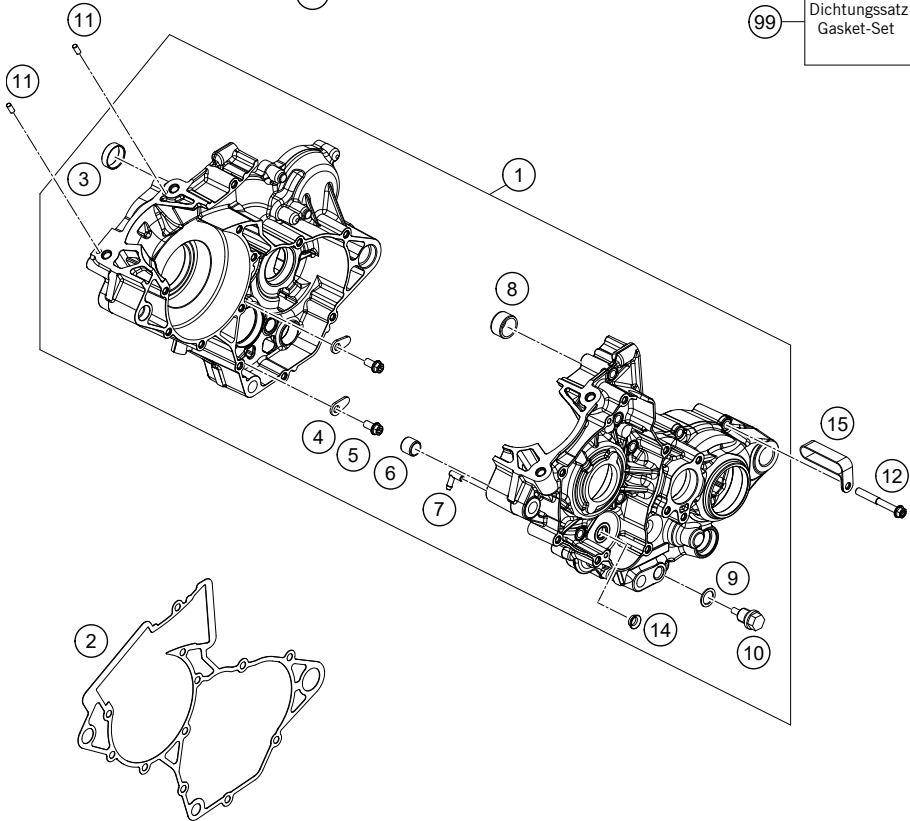
4 5 6 7 8 9 10

+ WELLENDICHTRINGE / SEAL RING

1x 0760142460 1x 0760324566
1x 0760253570 1x 0760324571

+ LAGER / BEARINGS

1x 50330082000 1x 0625062054
1x 0625063055 1x 0625618050
1x 0625060041 1x 54637098100
2x 0625160031 2x 54632095000



215173010

POS	PARTNUMBER	PARTNAME	PIECE
1	50430100244	Engine case cmpl.	1
2	50430039000	GASKET ENGINE CASE	1
3	50433024050	BUSHING IDLER GEAR	1
4	54634049000	RETAINING PLATE	2
5	0025060126S	Hex collar screw M6x12 ISA30 self-lockin	2
6	54630027000	DOWEL BUSHING 13,8X11X12	1
7	45130022000	ANGLE PIECE 50CCM LC 2001	1
8	54830027100	Dowel, 21x12	1
9	58038022000	CU-SEAL RING DIN7603-12X18X1,5	1
10	58030021000	OILDRAIN PLUG W.MAG. M 12X1,5	1
11	0402040980	NEEDLE ROL.DIN5402 NRB 4X9,8	2
12	0025060506	HH collar screw M6x50 TX30	11
13	0025060606	HH collar screw M6x60 TX30	1
14	55140030100	COLLAR BUSHING	1
15	55430090000	Bracket for bleeding tube	1
99	50430099000	GASKET SET ENGINE 125/150	x

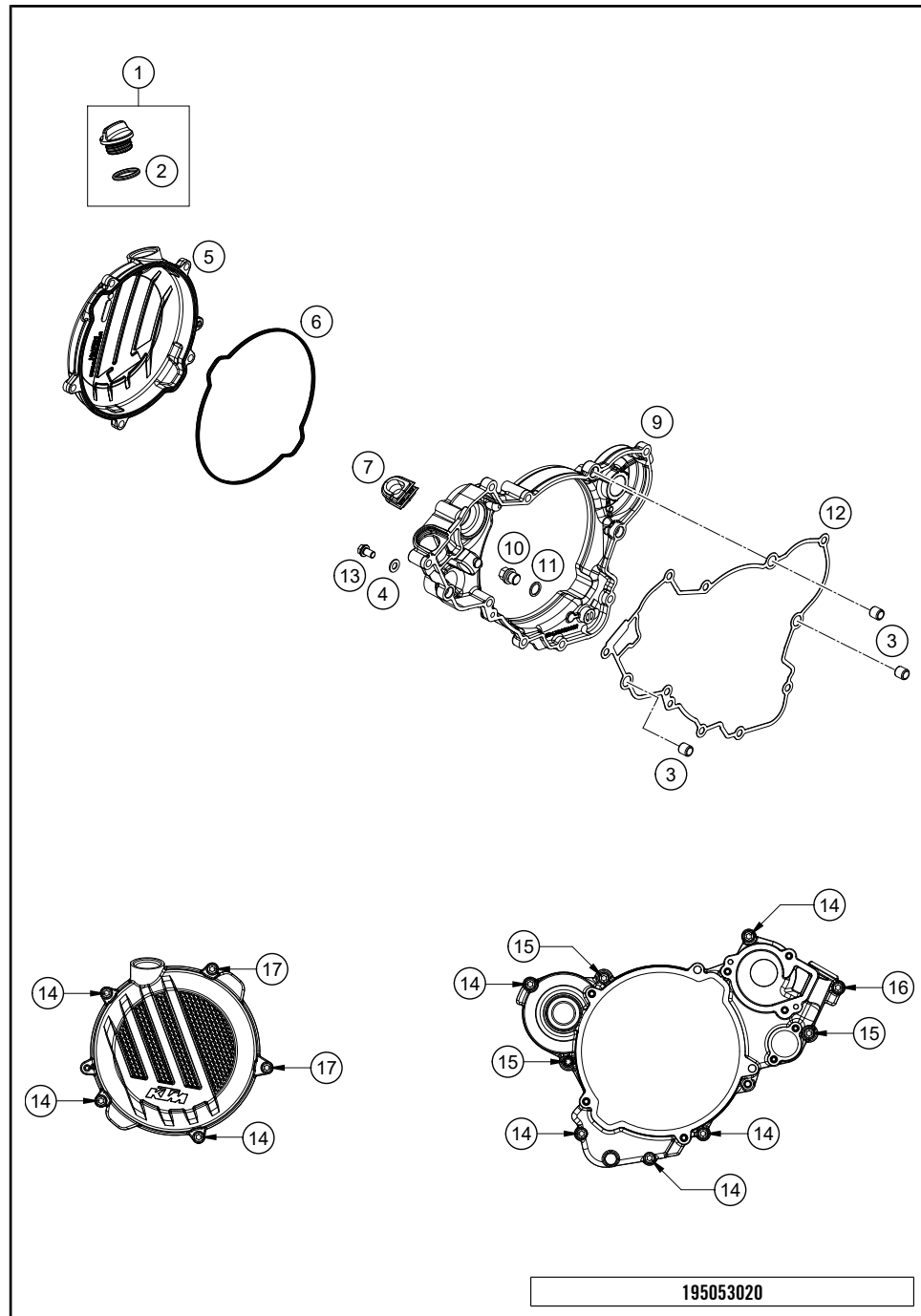
55008

* NEW PART

X ON DEMAND

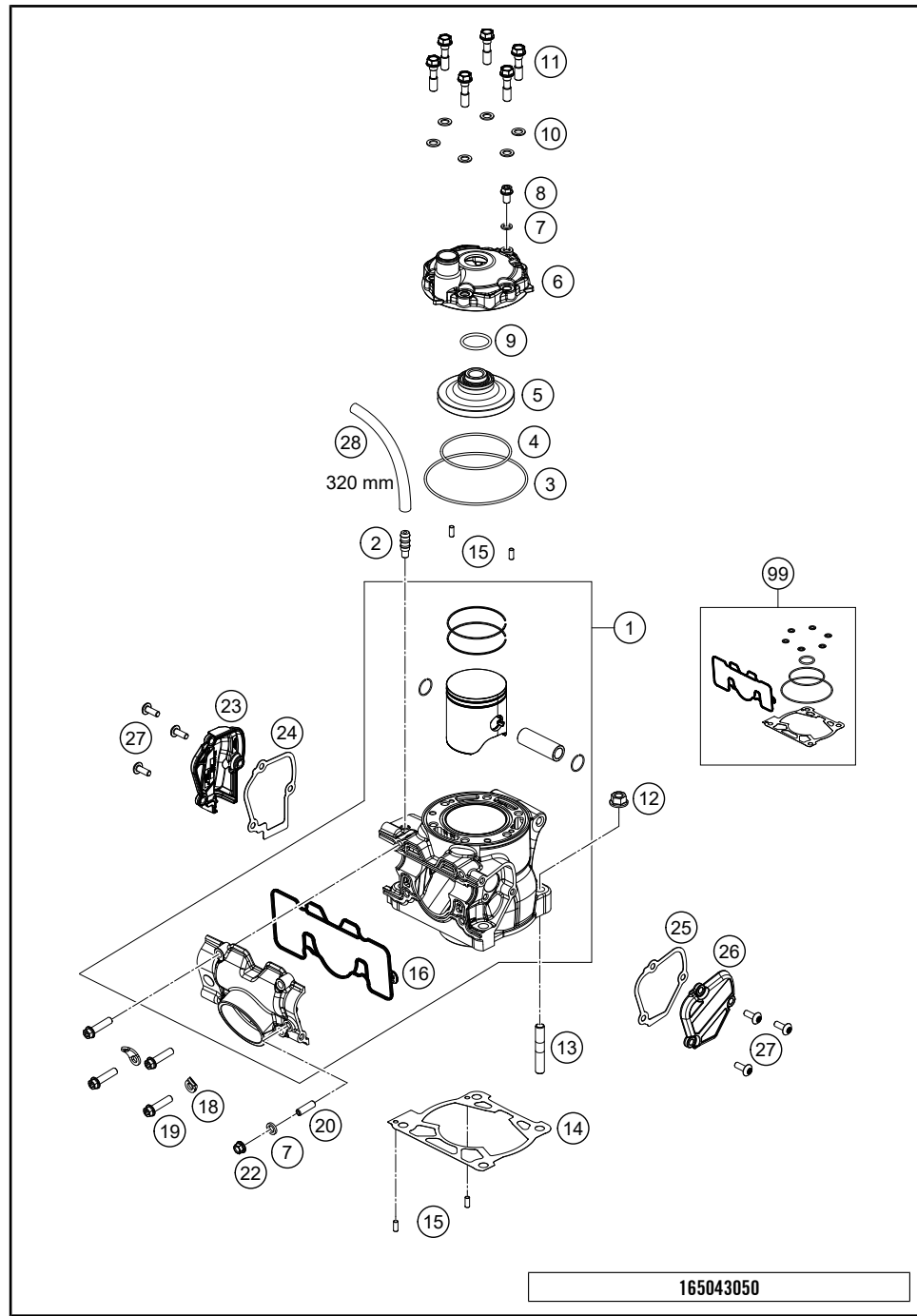
CLUTCH COVER

Engine 125 XC 2021 2021



POS	PARTNUMBER	PARTNAME	PIECE
1	79430020033	OIL FILLER CAP M24x3 WITH O-R	1
2	0770191015	O-RING 19,00X3,00 NBR	1
3	49030090000	DOWEL 9,8 X 7 X 10	3
4	0603061001	CU-SEAL RING DIN7603-6X10X1	1
5	5053002600015	Outer clutch cover	1
6	50430027000	GASKET OUTER CLUTCH COVER	1
7	50437091100	Sealing element	1
9	51730001044	Inner clutch cover cmpl.	1
10	0910100003	PLUG DIN0910-M 10X1	1
11	0603100141	sealing ring DIN 7603 10x14x1	1
12	50430025000	GASKET INNER CLUTCH COVER	1
13	0025060106	HH collar screw M6x10 TX30	1
14	0025060206	HH collar screw M6x20 TX30	8
15	0025060256	HH collar screw M6x25 TX30	3
16	0025060306	HH collar screw M6x30 TX30	1
17	0025060506	HH collar screw M6x50 TX30	2

52168 * NEW PART X ON DEMAND



POS	PARTNUMBER	PARTNAME	PIECE
1	50530038000	Cylinder + Piston cpl. 125	1
2	78036020090	VACUUM CONNECTION M6	1
3	0770890200	O-RING 89X2 NBR 70 SH	1
4	0770600200	O-RING 60X2 FPM 75SH	1
5	50430060100	Combustion chamber insert	1
6	50430106000	CYLINDER HEAD	1
7	0603061001	CU-SEAL RING DIN7603-6X10X1	2
8	0025060106	HH collar screw M6x10 TX30	1
9	07702300251	O-RING 23,00X2,5 NBR 70 SH	1
10	0603070121	CU-SEAL RING DIN7603- 7,3X12X1	6
11	50430079000	CYLINDER HEAD SCREW	6
12	50330045000	HH COLLAR NUT M 8 WS=12	4
13	0835080326	STUD DIN 835 M8X32	4
14	50430035015	CYLINDER BASE GASKET 0.15MM	x
14	50430035020	CYLINDER BASE GASKET 0.20MM	x
14	50430035025	CYLINDER BASE GASKET 0.25MM	x
14	50430035040	CYLINDER BASE GASKET 0.40MM	x
14	50430035050	CYLINDER BASE GASKET 0.50MM	x
14	50430035075	CYLINDER BASE GASKET 0.75MM	x
15	0402040980	NEEDLE ROL.DIN5402 NRB 4X9,8	4
16	50437046000	GASKET CONNECTION FLANGE	1
18	51005074000	RETAINING PLATE	2
19	0025060256	HH collar screw M6x25 TX30	4
20	0913060203	THREAD PIN DIN0913-M 6X20	1
22	77336088106	COLLAR NUT M6X1 SW8	1
23	5043700700033	EXHAUST CONTROL COVER R/S	1
24	50437008100	Exhaust ctrl cover gasket rhs	1
25	50437006100	Exhaust ctrl cover gasket lhs	1
26	5043700500033	EXHAUST CONTROL COVER L/S	1
27	58605083014	SCREW M5X14 TORX 25 07	6
28	50335030001	PVC-HOSE 6X9	x
99	50430097000	CYLINDER GASKET SET 125/150 16	x

165043050

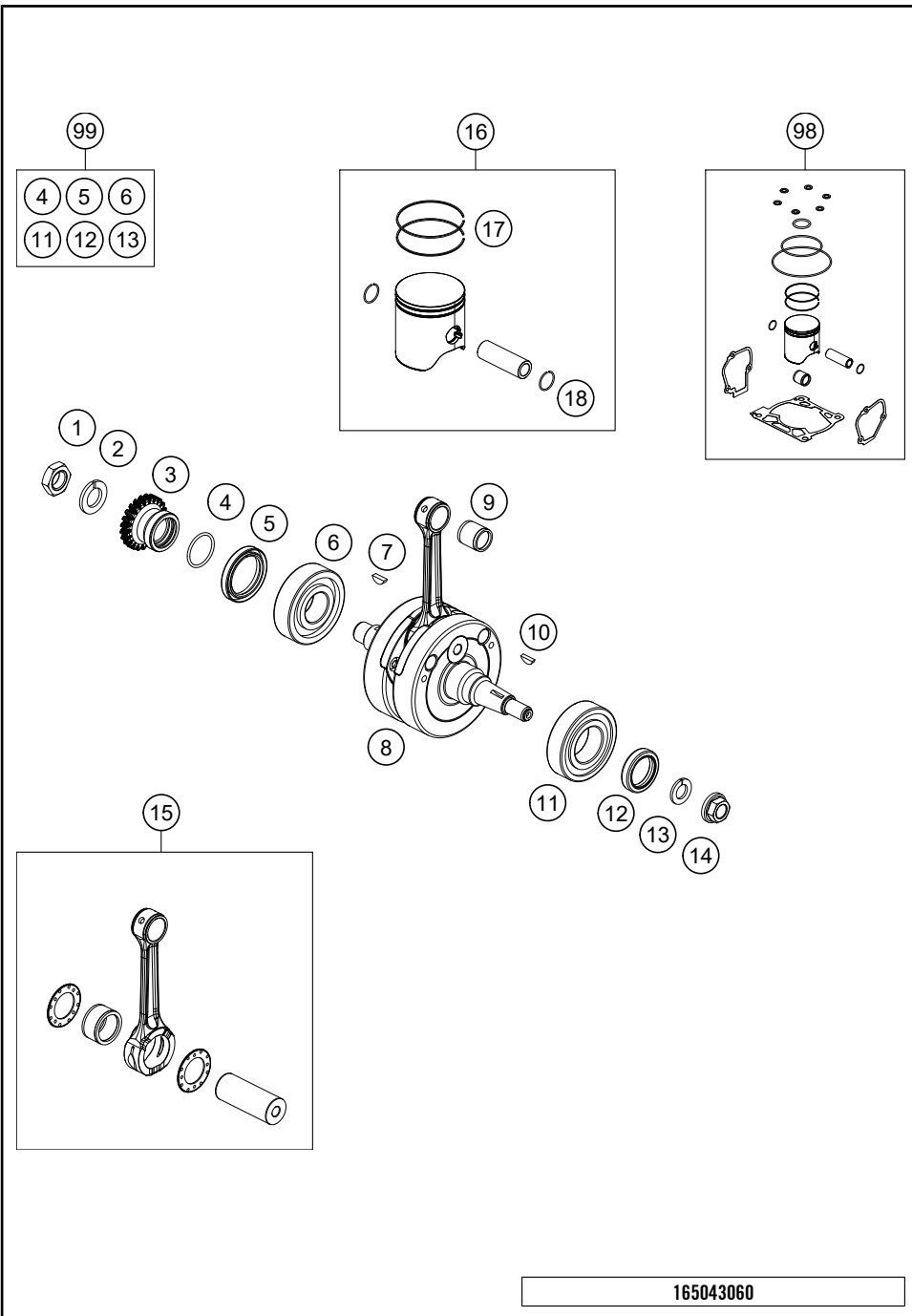
52170

* NEW PART

X ON DEMAND

CRANKSHAFT, PISTON

Engine 125 XC 2021 2021



POS	PARTNUMBER	PARTNAME	PIECE
1	50330029000	HEXAGON NUT M 16 X 1,5 - L/S	1
2	50230029016	LOCKING RING VSK 16	1
3	50532023023	gear primary drive	1
4	0770250020	O-RING 25,00X2,00 NBR 70	1
5	0760324564	SHAFT SEAL RING 32X45X6,5 BT	1
6	0625063055	BALL BEARING 6305 JR2 CS36	1
7	0888040050	woodruff key DIN 6888 4x5x13	1
8	50430018000	CRANKSHAFT	1
9	51030034000	NEEDLE BEARING KBK 15X19X20	1
10	0888030050	WOODRUFF KEY DIN6888-3X5X13	1
11	50330082000	CYL.ROLLER BEAR.NJ206 ET2XCS46	1
12	0760253570	SHAFT SEAL RING 25X35X7 BTSL	1
13	50230029012	LOCKING RING VSK 12	1
14	49030021000	COLLAR NUT M12X1 R/S	1
15	50430015044	CON-ROD REPAIR KIT	1
16	50530007000 I	Piston I cpl. 125 MX	x
16	50530007000 II	Piston II cpl. 125 MX	x
17	50430032044	Compression ring kit	1
18	50330074500	WIRE LOCK RING 15X1	2
98	00050000245	PISTON KIT GR.I 125 MX	x
98	00050000246	PISTON KIT GR.II 125 MX	x
99	00050002300	CRANKSHAFT REP. KIT 125-200	x

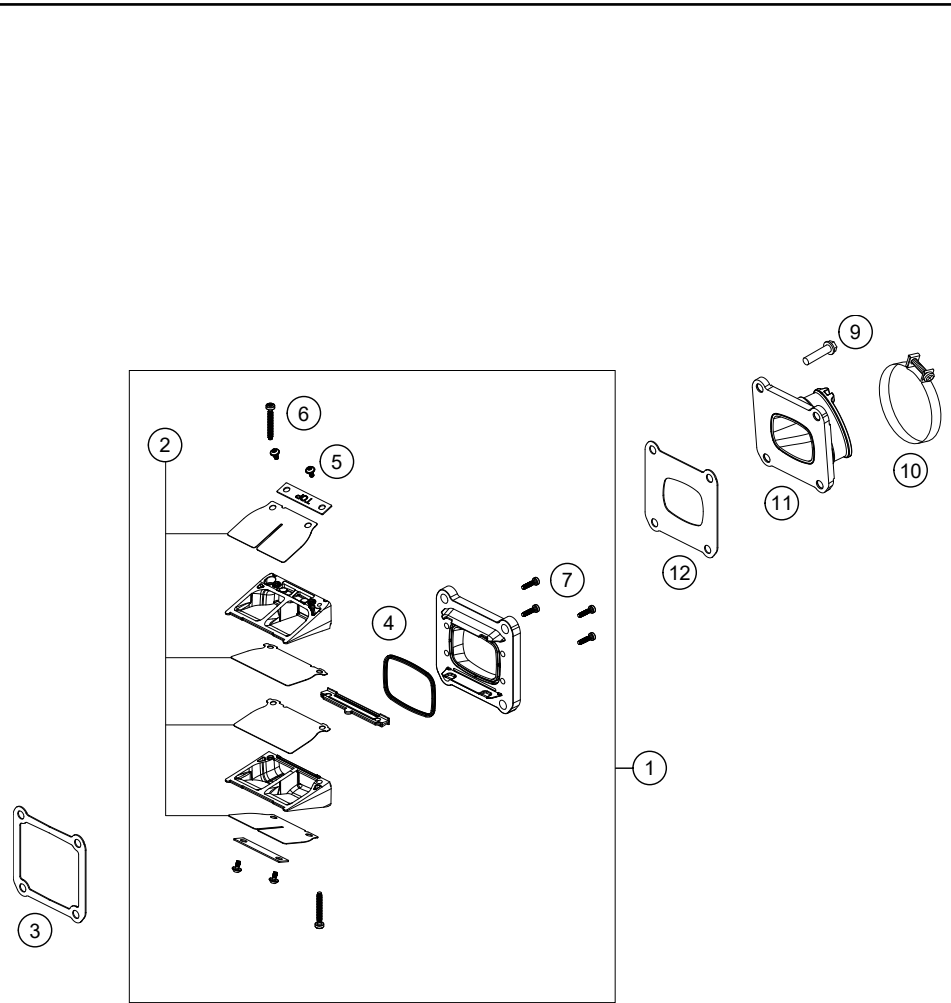
165043060

54373

* NEW PART X ON DEMAND

REED VALVE CASE

Engine 125 XC 2021 2021



POS	PARTNUMBER	PARTNAME	PIECE
1	50530051044	Reed Valve Case cpl.	1
2	50530152044	Reed Valve Set	1
3	50430098050	GASKET REED VALVE CASE	1
4	54830153050	GASKET SUPPORTING PLATE	1
5	00810300553	EJOT DELTA PT SCREW 30X5,5	4
6	0081035253	EJOT DELTA PT SCREW 35X25	2
7	0081030124	EJOT DELTA PT SCREW 30X12	4
9	0025060256	HH collar screw M6x25 TX30	4
10	54830061000	CLAMP 54/09 MIXED	1
11	50430150100	Intake flange	1
12	50430098060	GASKET INTAKE FLANGE	1

205053070

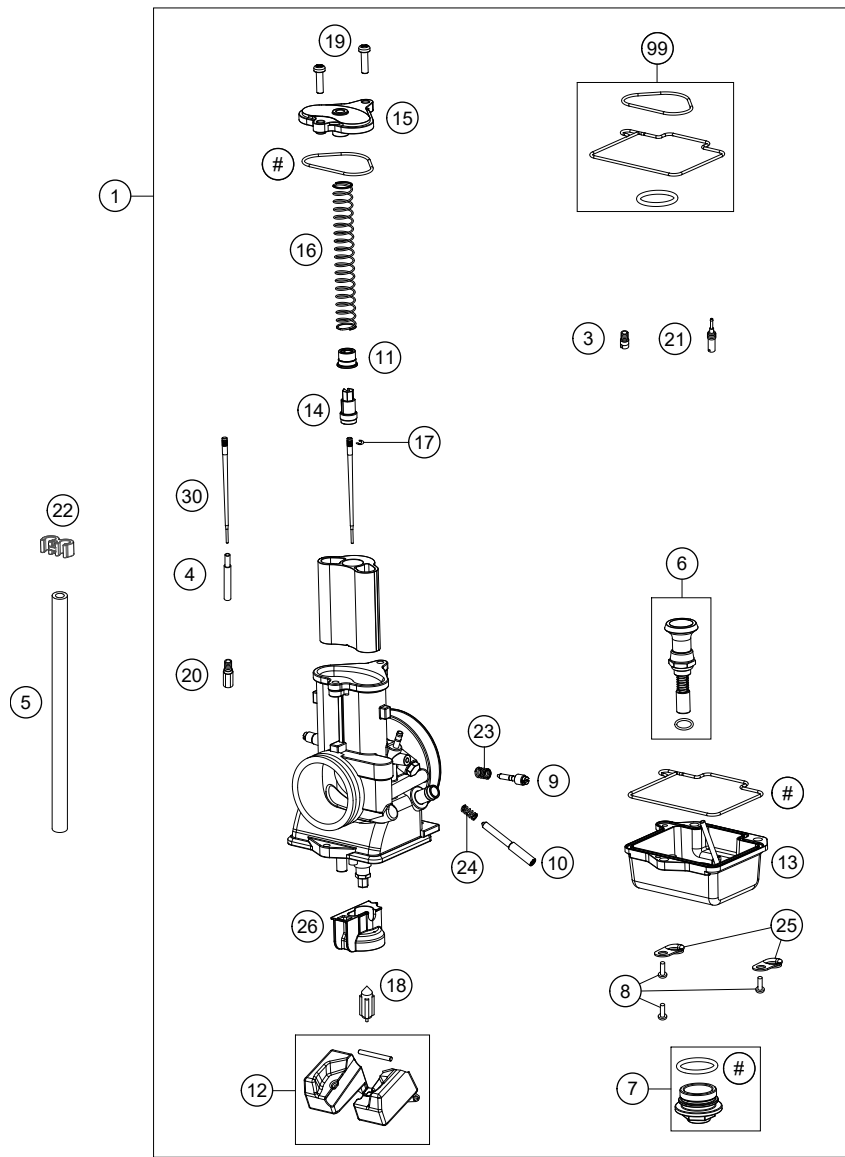
52184

* NEW PART

X ON DEMAND

ACHTUNG !!!
Vor dem Einbau des Vergasers,
Bedüsung kontrollieren.

CAUTION !!!
Before mounting the carburetor,
check the jetting.



175543110

POS	PARTNUMBER	PARTNAME	PIECE
1	55431001244	CARBURETOR TMX38	1
3	55431051050	STARTING JET "50"	x
3	55431051080	STARTING JET "80"	x
4	55431021100	NEEDLE JET "S-1"	x
4	55431021400	Needle jet S-4	x
4	55431021700	Needle jet S-7	x
4	55431021000	NEEDLE JET "R-8"	x
5	31007007101	PVC-HOSE 4X6MM	x
5	52031137001	PVC-HOSE 3X5MM	x
6	55431245000	start piston	1
7	55431699000	SCREW PLUG CPL.	1
8	0014050163	HH COLLAR SCREW M 5X16 WS=6	3
9	55431017000	Adjuster	1
10	55431019000	Adjuster	1
11	55431034050	RING	1
12	55431009000	FLOAT & PIN	1
13	55431011000	FLOAT CHAMBER CPL.	1
14	55431030050	GUIDE HOLDER	1
15	55431027000	CARBURETTOR COVER	1
16	55431030000	SLIDING SPRING MIKUNI	1
17	55431034060	LOCK RING	1
18	55431020000	FLOAT NEEDLE CPL.	1
19	55431025000	screw carburator cover	2
20	55431029100	MAIN JET "100"	x
20	55431029155	MAIN JET "155"	x
20	55431029400	MAIN JET "400"	x
20	55431029410	MAIN JET "410"	x
20	55431029420	MAIN JET "420"	x
20	55431029430	MAIN JET "430"	x
20	55431029440	MAIN JET "440"	x
20	55431029450	MAIN JET "450"	x
20	55431029460	MAIN JET "460"	x
20	55431029470	MAIN JET "470"	x
20	55431029480	MAIN JET "480"	x
20	55431029490	MAIN JET "490"	x
20	55431029500	MAIN JET "500"	x
20	55431029520	MAIN JET "520"	x
20	55431029540	MAIN JET "540"	x

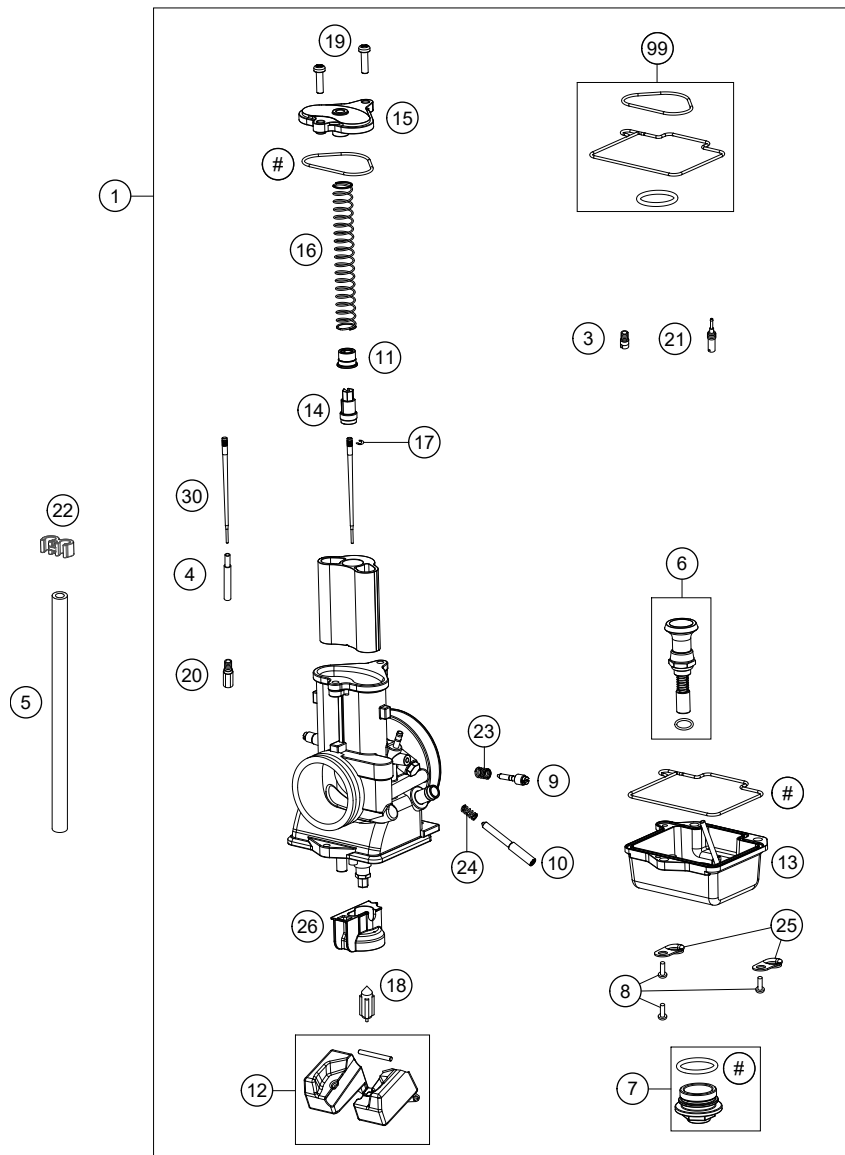
19130

* NEW PART

X ON DEMAND

ACHTUNG !!!
Vor dem Einbau des Vergasers,
Bedüsung kontrollieren.

CAUTION !!!
Before mounting the carburetor,
check the jetting.



175543110

POS	PARTNUMBER	PARTNAME	PIECE
20	55431029560	MAIN JET "560"	X
20	55431029580	MAIN JET "580"	X
20	55431029600	MAIN JET "600"	X
21	55431007150	IDLING JET "15"	X
21	55431007175	IDLING JET "17.5"	X
21	55431007225	"Idle jet ""22,5""	X
21	55431007250	"Idle jet ""25""	X
21	55431007275	"Idle jet ""27,5""	X
21	55431007300	IDLING JET "30"	X
21	55431007325	IDLING JET "32.5"	X
21	55431007350	IDLING JET "35"	X
21	55431007375	IDLING JET "37.5"	X
21	55431007400	IDLING JET "40"	X
21	55431007425	IDLING JET "42.5"	X
21	55431007450	IDLING JET "45"	X
21	55431007475	IDLING JET "47.5"	X
21	55431007500	IDLING JET "50"	X
21	55431007525	IDLING JET "52.5"	X
22	55431073000	distance holder	3
23	55431017010	COMPRESSION SPRING ADJUSTER	1
24	55431019010	compressing spring	1
25	55431012000	plate	2
26	55431010000	Holder	1
30	55431934000	JET NEEDLE "6GAY69-74"	X
30	55431034000	JET NEEDLE "6BFY42-71"	X
30	55431034100	JET NEEDLE "6BFY42-72"	X
30	55431034200	JET NEEDLE "6BFY42-73"	X
30	55431034300	JET NEEDLE "6BFY42-74"	X
30	55431034400	JET NEEDLE "6BFY42-75"	X
30	55431034500	JET NEEDLE "6BFY42-76"	X
30	55431134000	JET NEEDLE "6BFY43-71"	X
30	55431134100	JET NEEDLE "6BFY43-72"	X
30	55431134200	JET NEEDLE "6BFY43-73"	X
30	55431134300	JET NEEDLE "6BFY43-74"	X
30	55431134400	JET NEEDLE "6BFY43-75"	X
30	55431134500	JET NEEDLE "6BFY43-76"	X
30	55431234000	JET NEEDLE "6BFY44-71"	X
30	55431234100	JET NEEDLE "6BFY44-72"	X

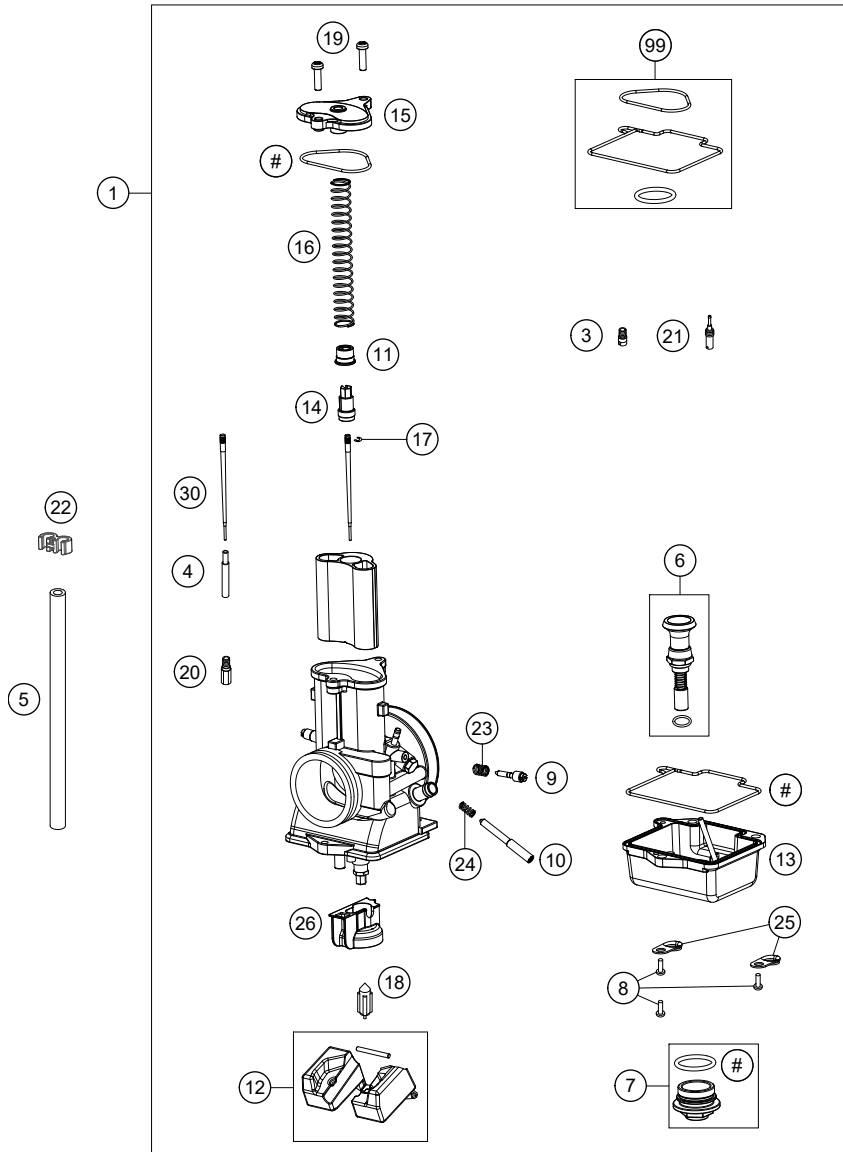
19130

* NEW PART

X ON DEMAND

ACHTUNG !!!
Vor dem Einbau des Vergasers,
Bedüsung kontrollieren.

CAUTION !!!
Before mounting the carburetor,
check the jetting.



175543110

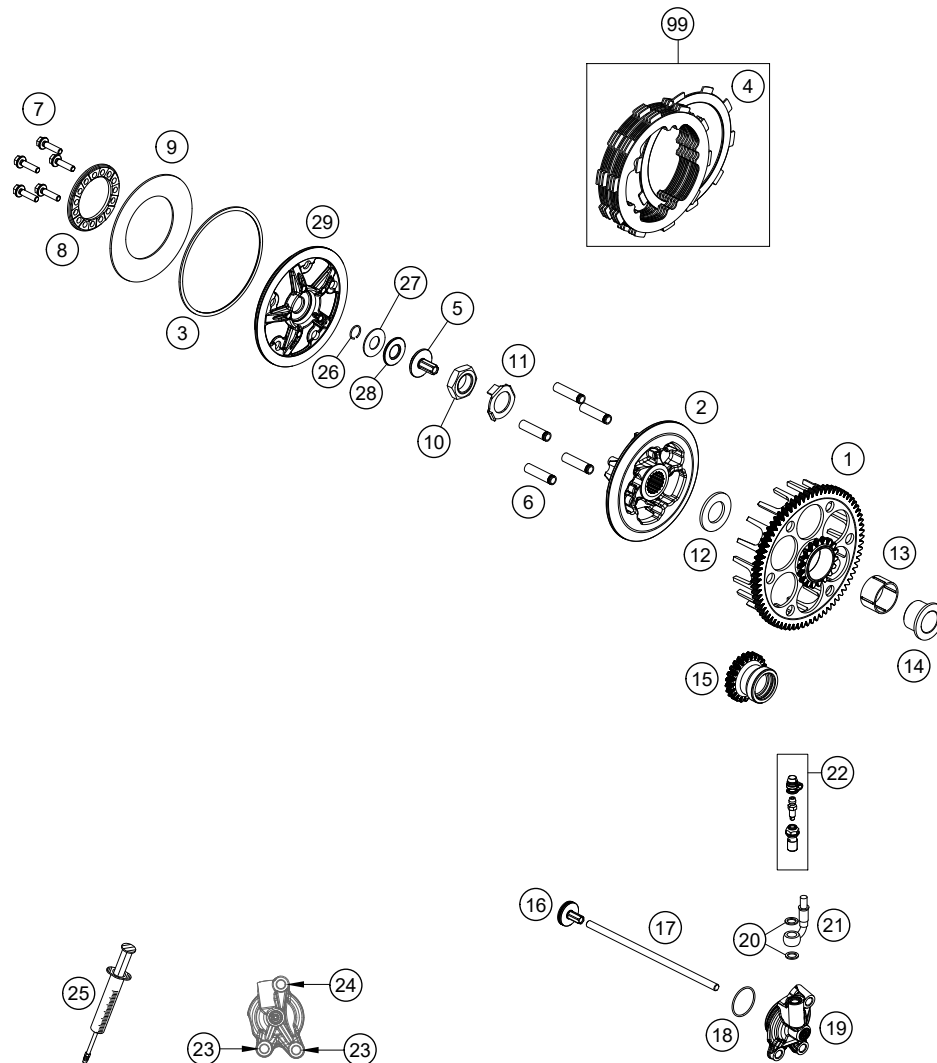
POS	PARTNUMBER	PARTNAME	PIECE
30	55431234200	JET NEEDLE "6BFY44-73"	X
30	55431234300	JET NEEDLE "6BFY44-74"	X
30	55431234400	JET NEEDLE "6BFY44-75"	X
30	55431234500	JET NEEDLE "6BFY44-76"	X
99	55431099000	Gasket set Mikuni	X

19130

* NEW PART X ON DEMAND

CLUTCH

Engine 125 XC 2021 2021



POS	PARTNUMBER	PARTNAME	PIECE
1	50532001073	clutch basket SX	1
2	50532002000	Inner clutch hub	1
3	50532013000	Inner ring	1
4	50532011000	Friction plate 1.95 mm	7
5	78032057000	PRESSURE PIECE	1
6	50532004000	Sleeve 7.95x31.65	5
7	0025050206	HH collar screw M5x20 TX30	5
8	50532006000	Spring plate	1
9	50532005000	Clutch spring	1
10	0936181505	HEXAGON NUT DIN0936-M18X1,5 R.	1
11	78132018100	locking plate	1
12	50532017000	Supporting plate 20x36x2.5	1
13	0405263017	Needle cage K263017	1
14	50532015000	Collar 20x26x19,5	1
15	50532023023	gear primary drive	1
16	78032057044	PRESSURE PIECE CPL. 08	1
17	50532054000	Push rod	1
18	0770300015	O-RING 30,00X1,50 NBR 70	1
19	79232061044	OUTPUT CYLINDER CPL.	1
20	0603082121	SEAL RING CU DIN7603- 8X12X1	2
21	79232063000	CLUTCH PIPE	1
22	79032064000	BLEEDER SCREW CPL.	1
23	0025060166	HH collar screw M6x16 TX30	2
24	0025060256	HH collar screw M6x25 TX30	1
25	50329050000	VENT INJEKTION HYDR. CLUTCH	1
26	0993012000	CIRCLIP DIN7993-RW12	1
27	54637098200	AXIAL WASHER AS1226 12X26X1	1
28	54637097200	AXIAL NEEDLE BEARING AXK 1226	1
29	50532003000	Pressure plate	1
99	50532010033	Clutch disc pack	1

195053210

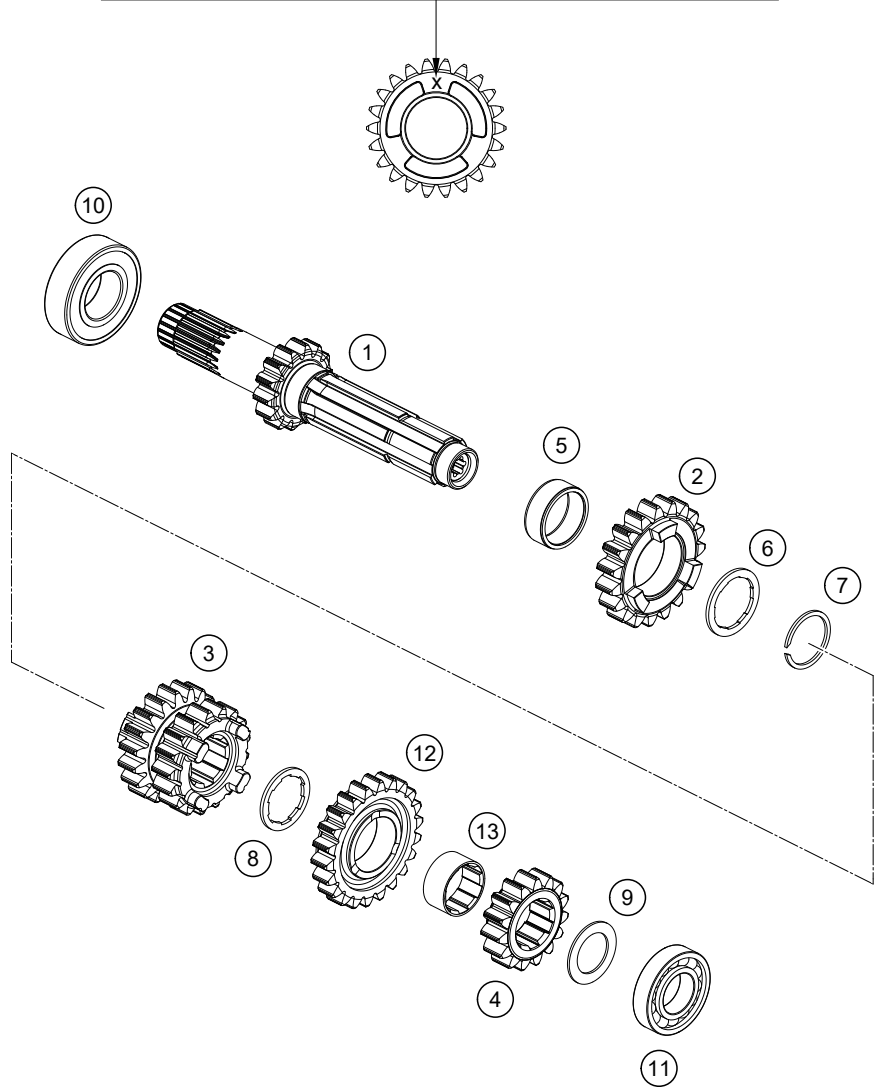
52172

* NEW PART

X ON DEMAND

ACHTUNG !!!
 Bei Bestellung von Getrieberädern, Markierung beachten.

CAUTION !!!
 When ordering transmission gears, check marking.



195053330

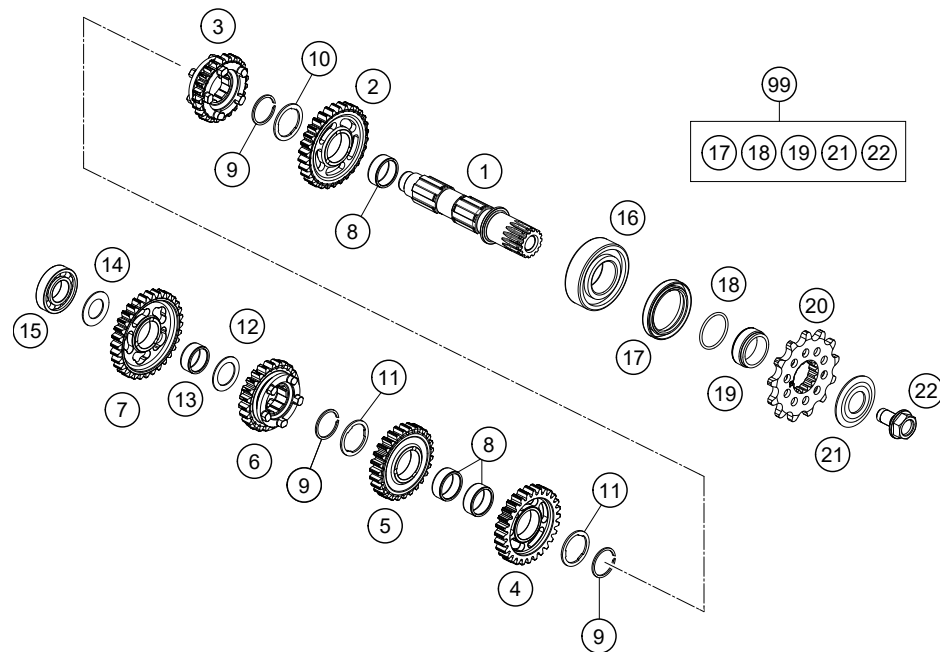
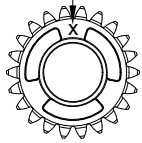
POS	PARTNUMBER	PARTNAME	PIECE
1	50533001000	Drive Shaft Assy. not=14	1
2	50533005000	Idler gear, 5th gear, teeth=19	1
3	50533003000	Sliding gear, 3rd/4th gear, teeth=17/19	1
4	50533002000	Fixed gear, 2nd gear, teeth=15	1
5	0405222611	NEEDLE BEAR.K 22X26X10 DIVIDED	1
6	50533034000	Thrust washer	1
7	50133090000	LOCK RING 22X1,2	1
8	50533033000	Thrust washer	1
9	50333041000	STOP DISC 17,2X26X1 B	1
10	0625060041	BALL BEARING 6004 TNH C3	1
11	0625160031	GROOVED BALL B. 16003 C4 J1	1
12	50533006000	Idler gear, 6th gear, teeth=22	1
13	50533024000	bushing	1

52173

* NEW PART

X ON DEMAND

ACHTUNG !!!
 Bei Bestellung von Getrieberädern, Markierung beachten.
CAUTION !!!
 When ordering transmission gears, check marking.



205053360

POS	PARTNUMBER	PARTNAME	PIECE
1	50533010100	pinion shaft	1
2	50533012000	Idler gear 2nd gear not=30	1
3	50533016000	Sliding gear, 6th gear, teeth=24	1
4	50533013000	Idler gear, 3rd gear, not=28	1
5	50533014000	Idler 4th gear not=27	1
6	50533015000	Sliding gear, 5th gear, teeth=23	1
7	50533011000	Idler gear, 1st gear, teeth=32	1
8	0405222611	NEEDLE BEAR.K 22X26X10 DIVIDED	3
9	0417024000	CIRCLIP WS24	3
10	77733044000	STOP DISC 24X32X1,5	1
11	77733043000	STOP DISC 23,4X31X1,5	2
12	54833080000	STOP DISC 20,2X30X1	1
13	0405202410	NEEDLE BEARING K20X24X10	1
14	56033030000	STOP DISC 17,2X30X1	1
15	0625160031	GROOVED BALL B. 16003 C4 J1	1
16	0625062054	BALL BEARING 6205 C3 NTN	1
17	0760324571	SHAFT SEAL RING 32X45X7 BSLNBR	1
18	0770230020	O-RING 23,00X2,00 NBR70	1
19	50433030000	SPACER BUSHING 12,4 MM	1
20	79233029013	SPROCKET 13T	1
21	59033034000	SPRING WASHER 17,2X40X1,5	1
22	59033029000	HH COLLAR SCREW M10X18 10.9	1
99	00050000991	Repair kit countershaft 125	x

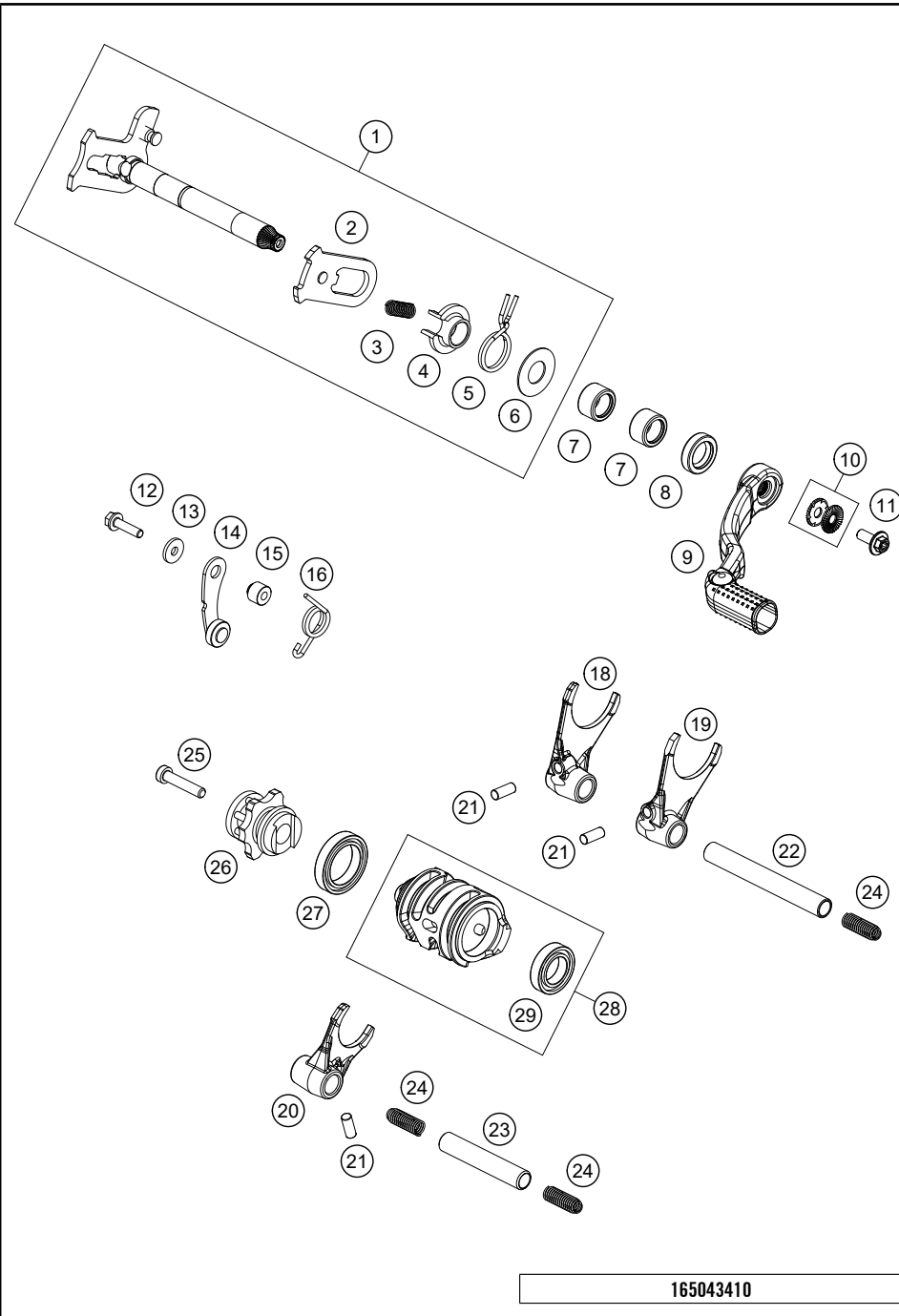
52174

* NEW PART

X ON DEMAND

SHIFTING MECHANISM

Engine 125 XC 2021 2021



POS	PARTNUMBER	PARTNAME	PIECE
1	50534005044	Shift shaft cmpl.	1
2	61234008044	SLIDING PLATE	1
3	56534013100	TENSIONING SPRING 0,8MM	1
4	54634020000	SPRING GUIDE	1
5	54834014000	RETURN SPRING 03	1
6	54634050000	STOP DISK 14X30X1	1
7	54632095000	needle sleeve HK 1412 14x20x12	2
8	0760142460	radial shaft seal 14x24x6 B	1
9	50434031000	SHIFT LEVER CPL.	1
10	50233041500	PAIR NORDLOCK WASHER M6	1
11	0024060156S	HH collar screw M6x15 TX30	1
12	0025050206S	Hex collar screw, M5x20 ISA30 SS	1
13	0349000050	WASHER DIN7349-5X15X2	1
14	50334024144	LOCATING LEVER CPL. 08	1
15	54634052300	SLEEVE FOR LOCKING LEVER	1
16	54834023000	LOCKING LEVER SPRING 03	1
18	50434003000	SHIFTING FORK 1ST/3RD GEAR	1
19	50534002000	shifting fork 2/4 gear	1
20	50434001000	SHIFTING FORK 5/6 GEAR	1
21	0402061480	NEEDLE ROLLER DIN5402 6X14,8	3
22	54834020000	SHIFT. RAIL C. SHAFT 250/300	1
23	54834019000	SHIFT. RAIL MAIN SHAFT 250/300	1
24	58038023200	PRESSURE SPRING 0,9MM	3
25	0012060303S	Cap head screw M6x30-8.8	1
26	50434015100	Shift drum locating cpl.	1
27	0625618050	BALL BEARING 61805 C3	1
28	50534012033	Shift roller cpl.	1
29	0625069034	BALL BEARING 6903 C4	1

165043410

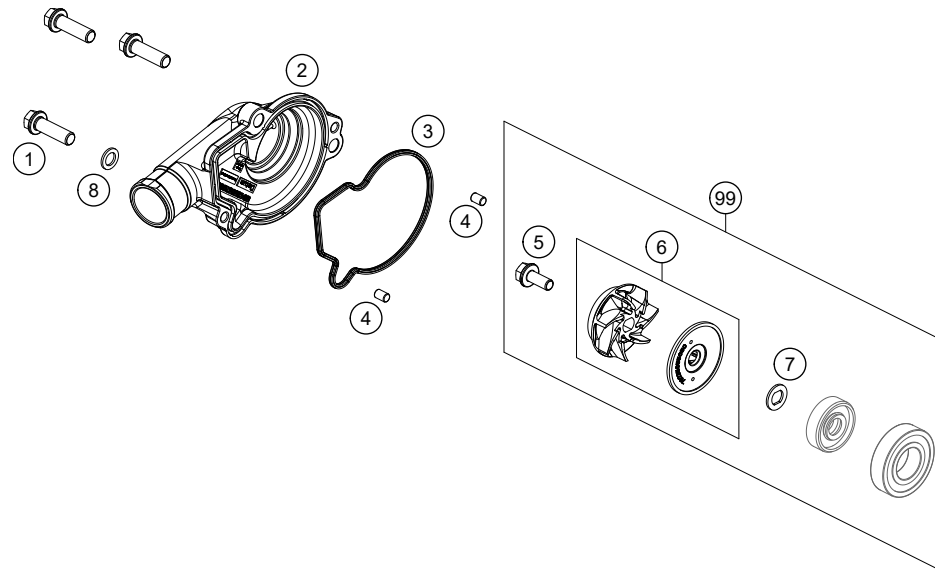
52176

* NEW PART

X ON DEMAND

WATER PUMP

Engine 125 XC 2021 2021



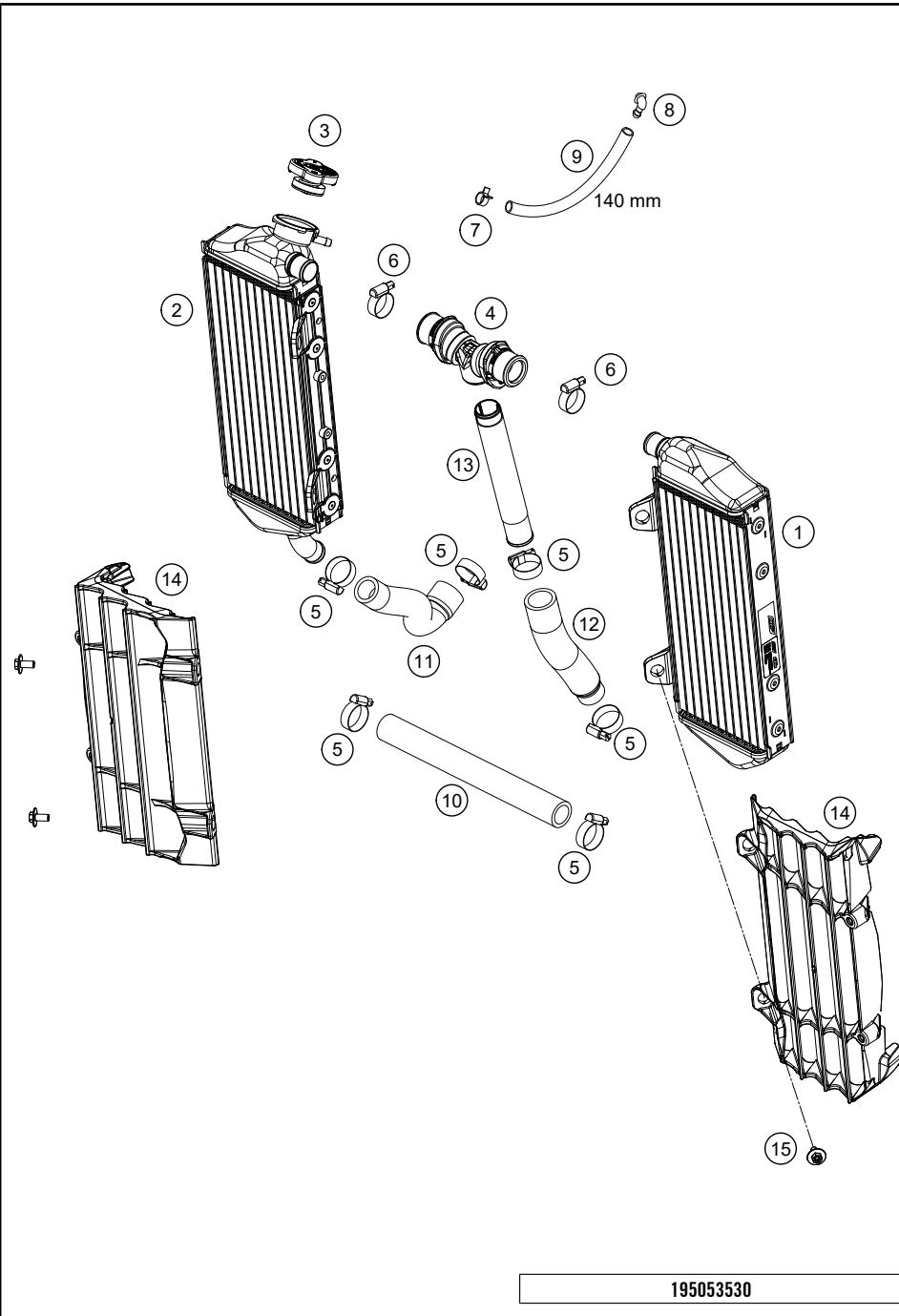
POS	PARTNUMBER	PARTNAME	PIECE
1	0025060206	HH collar screw M6x20 TX30	3
2	50435052000	WATER PUMP COVER	1
3	50435053000	GASKET WATER PUMP COVER	1
4	0402040600	NEEDLE ROOLER DIN5402 NRB 4X6	2
5	0014050123	HH COLLAR SCREW M 5X12 WS=6	1
6	79235055044	WATER PUMP WHEEL CPL.	1
7	50435049000	PREFORMED WASHER	1
8	0603061001	CU-SEAL RING DIN7603-6X10X1	1
99	50435055015	WATER PUMP REP. KIT	x

165043510

17164

* NEW PART

X ON DEMAND



POS	PARTNUMBER	PARTNAME	PIECE
1	50535007100	Radiator, left 19	1
2	50535008100	Radiator right	1
3	79035016000	RADIATOR CAP 1,8 BAR	1
4	79135071044	Y-hose cpl.	1
5	10001020300	hose clamp 18-29	6
6	42013037400	HOSE CLAMP NORMA 14/24	2
7	59007017000	CLAMP YDNAC 10096F (9,6MM)	1
8	50303089000	ANGLE PIECE '97	1
9	50335030001	PVC-HOSE 6X9	x
10	56535025001	RADIATOR HOSE 18X25 PER METRE	1
11	50535027000	preformed hose	1
12	50535026000	Pre-formed hose, Y-piece	1
13	79135073000	threaded bushing	1
14	7913503400030	radiator protector le/ri black	2
15	0024060123	COLLAR SCREW M6X12 TX	4

195053530

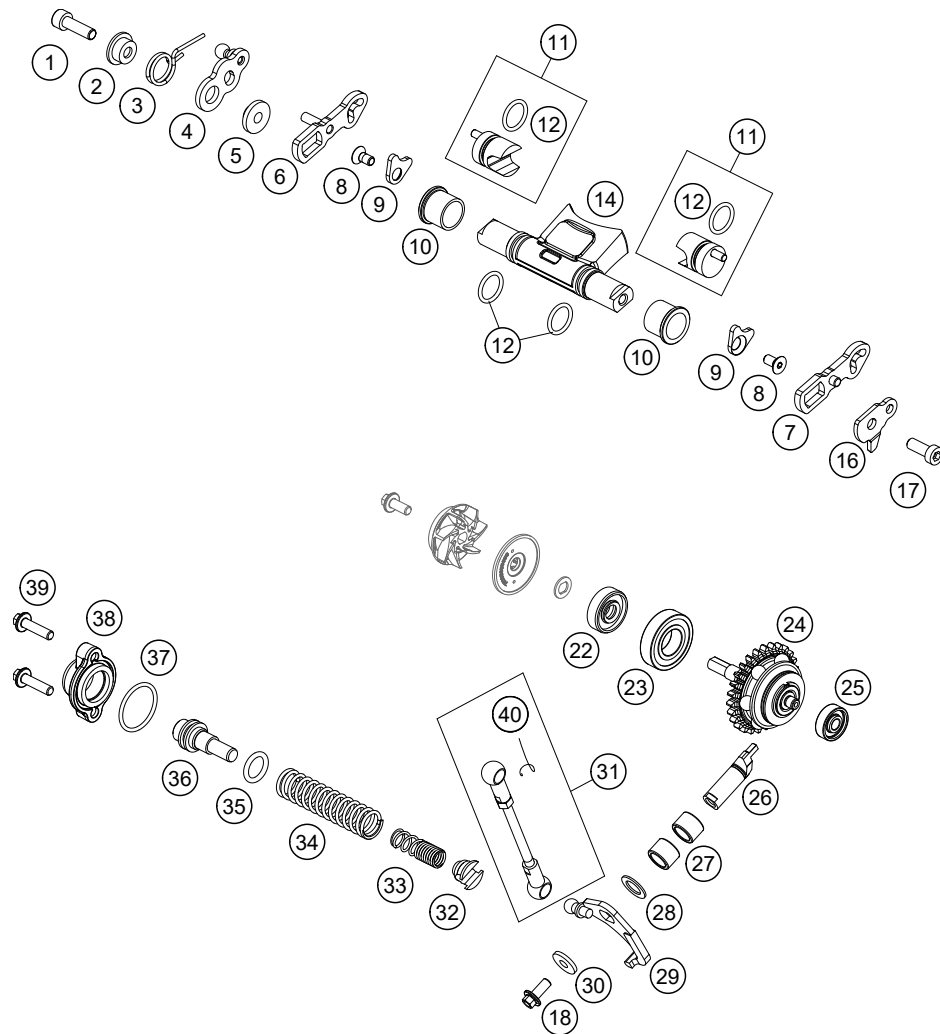
52177

* NEW PART

X ON DEMAND

EXHAUST CONTROL

Engine 125 XC 2021 2021



POS	PARTNUMBER	PARTNAME	PIECE
1	0912060203	AH SCREW DIN0912-M 6X20	1
2	54637067000	SPRING SLEEVE	1
3	54637066000	OVERLOAD SPRING	1
4	54637065000	CONTROL LEVER WITH BALL TYPE	1
5	54637068100	BUSHING SLEEVE	1
6	50437065044	SLOTTED LEVER R/S	1
7	50437064044	SLOTTED LEVER L/S	1
8	0019050106S	hex lobe countersunc screw M5x10 - 10.9	2
9	50437079000	LOCK PLATE	2
10	50437023100	exhaust flap bushing	2
11	50537061044	Exhaust roller cpl.	2
12	0770140201	O-RING 14X2 FPM 75SH	4
14	50537020000	Control flap	1
16	50437085000	STOP PLATE	1
17	0912060163	AH SCREW DIN0912-M 6X16	1
18	0000140501200S	Hex collar screw M 5x12 SW=6	1
22	0760082472	SHAFT SEAL RING 8X24X7 A DUO	1
23	0625160020	BALL BEARING 16002 C3	1
24	50537050144	Centrifugal force unit	1
25	54637098100	BALL BEARING 626LLBC3/5K	1
26	50437057100	ADJUSTING LEVER 125/150 2016	1
27	0618101410	needle sleeve HK 1010 10x14x10	2
28	0988101610	SHIM WASHER DIN988 10X16X1	1
29	47237056100	Power valve control lever	1
30	0349000050	WASHER DIN7349-5X15X2	1
31	51737095044	Linkage cpl.	1
32	54637071200	SPRING INSERT	1
33	50437069050	SUPPORT SPRING	1
34	54837069000	ADJUST. SPRING 2003	1
35	0770021120	O-RING 12,37X2,62 NBR70	1
36	54837075000	SPRING GUIDE 250/300	1
37	0770240020	O-RING 24,00X2,00 NBR70	1
38	54637070300	Closing cover 250-360	1
39	0014050203	HH COLLAR SCREW M 5X20 WS=6	2
40	50237195055	SECURING DIN-71805-S-8	1

165043710

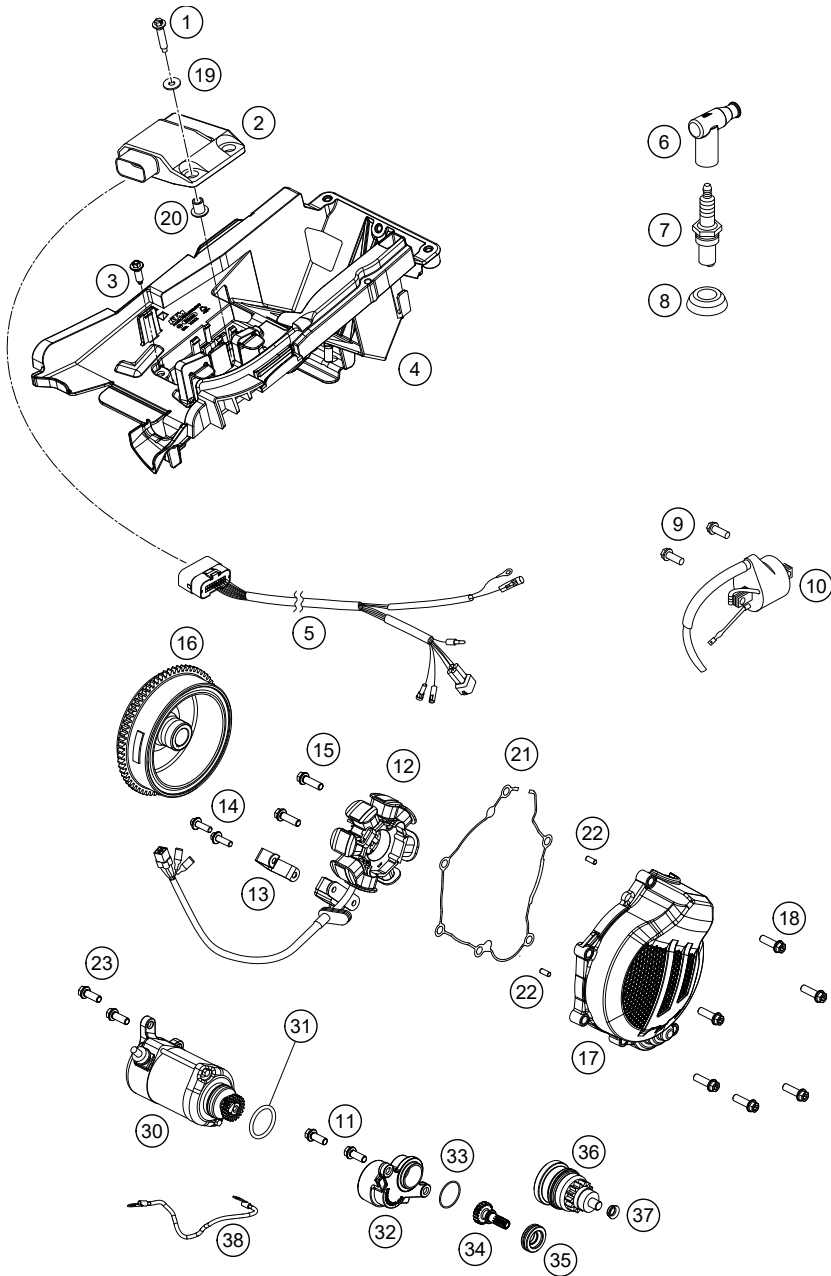
54374

* NEW PART

X ON DEMAND

IGNITION SYSTEM

Engine 125 XC 2021 2021



POS	PARTNUMBER	PARTNAME	PIECE
1	0017060305	SPECIAL SCREW K60X30 WS=6	2
2	50539031000	CDI control unit 125 19	1
3	0017060206	SCREW F. PLASTIC K60X20AL SW6	1
4	79111055000	Battery box	1
5	54839032200	WIRING HARNESS FOR CDI 2-ST.07	1
6	47039090000	SPARK PLUG CAP NGK REINFORC.04	1
7	51539093000	SPARK PLUG BR9ECMVX	1
8	51739091000	Sealing boot	1
9	0026060186	COLLAR SCREW M6X18 ISA30	2
10	59039006000	IGNITIONCOIL "IG5128"	1
11	0025060166	HH collar screw M6x16 TX30	2
12	55139004100	Stator	1
13	50439004010	PICKUP BRACKET	1
14	0025050166S	HH Collar Screw M5x16 ISA30 SS	2
15	0025060256S	SK-BUNDSCHRAUBE M6X25 ISA30	2
16	50439105000	ROTOR	1
17	5043010210015	Ignition cover EXC	1
18	0025060256	HH collar screw M6x25 TX30	6
19	0021050003	washer DIN 9021 A - 5.3	2
20	60308006000	COLLAR BUSHING 6,2X9,2X15X12,5	2
21	50430040000	GASKET IGNITION COVER	1
22	0402040980	NEEDLE ROL.DIN5402 NRB 4X9,8	2
23	0025060206	HH collar screw M6x20 TX30	2
30	51740001033	electric starter assy.	1
31	0770250030	O-RING 25,00X3,00 NBR 70	1
32	51740012033	Console cpl.	1
33	0770230010	O-ring, 23x1 NBR 70	1
34	51740014000	Twin gear	1
35	51740002033	Bushing cmpl.	1
36	50440026000	BENDIX	1
37	55140030100	COLLAR BUSHING	1
38	51711059000	starter cable	1

215173910

55009

* NEW PART

X ON DEMAND

A large, empty rectangular box with a thin black border, occupying the majority of the page. It is intended for handwritten notes.

WWW.KTM.COM



KTM Sportmotorcycle GmbH
5230 Mattighofen, Austria
www.ktm.com



KTM_POWERPARTS

KTM_POWERWEAR

KTM_ORIGINAL SPARE PARTS



081522UEN

Art. Nr.: 081522UEN 16. Jun 2020