

# Engine 150 / EXC / XC-W 2021 2021

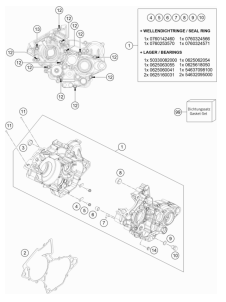
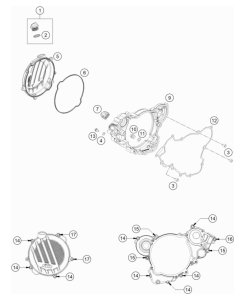
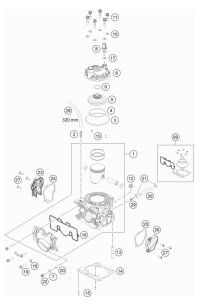
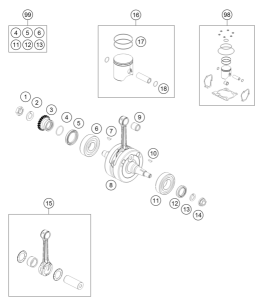
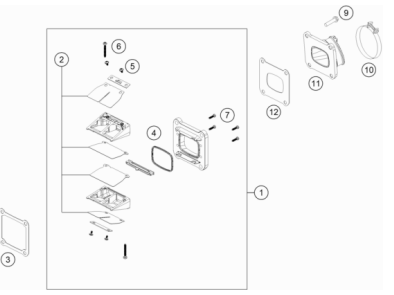
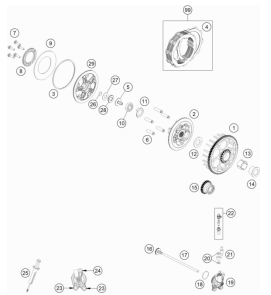
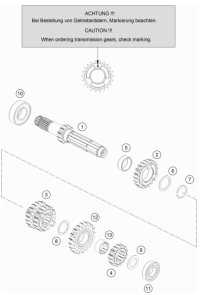
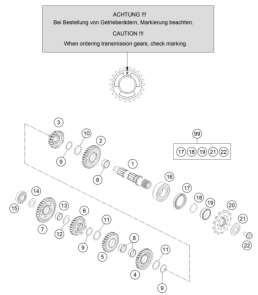
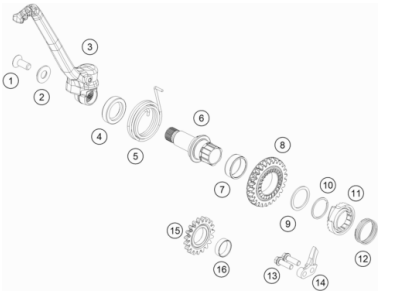
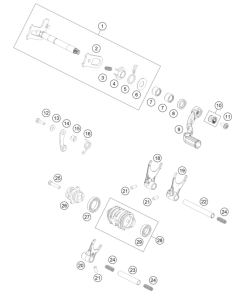
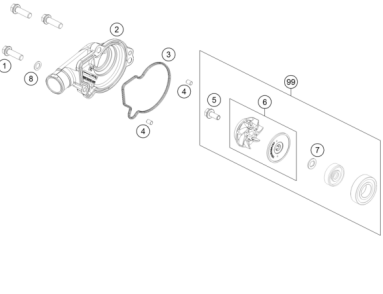
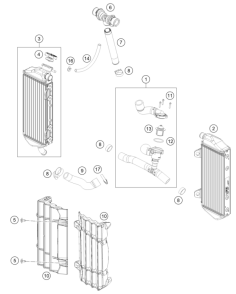
ART.-NR.: 081535UEN



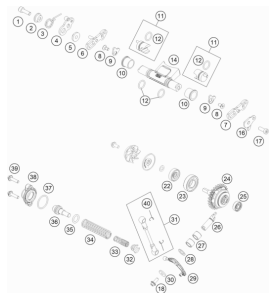


All information contained is without obligation. KTM Sportmotorcycle GmbH particularly reserves the right to modify any equipment, technical specifications, prices, colors, shapes, materials, services, service work, constructions, equipment and the like so as to adapt them to local conditions or to cancel any of the above items, all without previous announcement and without giving reasons. KTM may stop manufacturing certain models without previous notice. KTM shall not be held liable for any deviations of availability and/or ability to deliver, illustrations, descriptions, printing and/or other errors. The illustrated models partly contain extra equipment, which is not applied to standard models.

© by KTM Sportmotorcycle GmbH, Mattighofen AUSTRIA; All rights reserved; Reprint, also in extracts, with written allowance of KTM Sportmotorcycle GmbH, Mattighofen only.

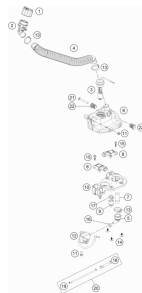
<p><b>ENGINE CASE</b></p>  <p><b>3</b></p>	<p><b>CLUTCH COVER</b></p>  <p><b>4</b></p>	<p><b>CYLINDER, CYLINDER HEAD</b></p>  <p><b>5</b></p>	<p><b>CRANKSHAFT, PISTON</b></p>  <p><b>6</b></p>
<p><b>REED VALVE CASE</b></p>  <p><b>7</b></p>	<p><b>CLUTCH</b></p>  <p><b>8</b></p>	<p><b>TRANSMISSION I - MAIN SHAFT</b></p>  <p><b>9</b></p>	<p><b>TRANSMISSION II - COUNTERSHAFT</b></p>  <p><b>10</b></p>
<p><b>KICK STARTER</b></p>  <p><b>11</b></p>	<p><b>SHIFTING MECHANISM</b></p>  <p><b>12</b></p>	<p><b>WATER PUMP</b></p>  <p><b>13</b></p>	<p><b>COOLING SYSTEM</b></p>  <p><b>14</b></p>

**EXHAUST CONTROL**



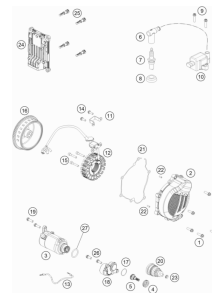
**15**

**LUBRICATING SYSTEM**



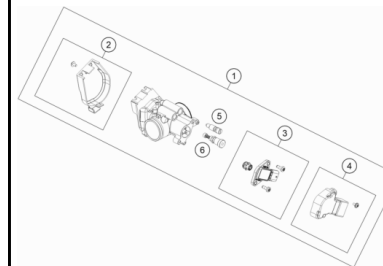
**16**

**IGNITION SYSTEM**



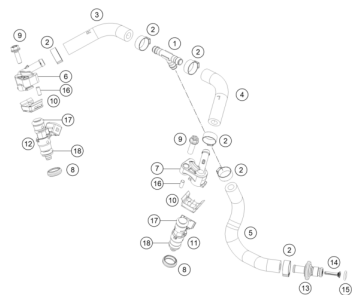
**17**

**THROTTLE BODY**

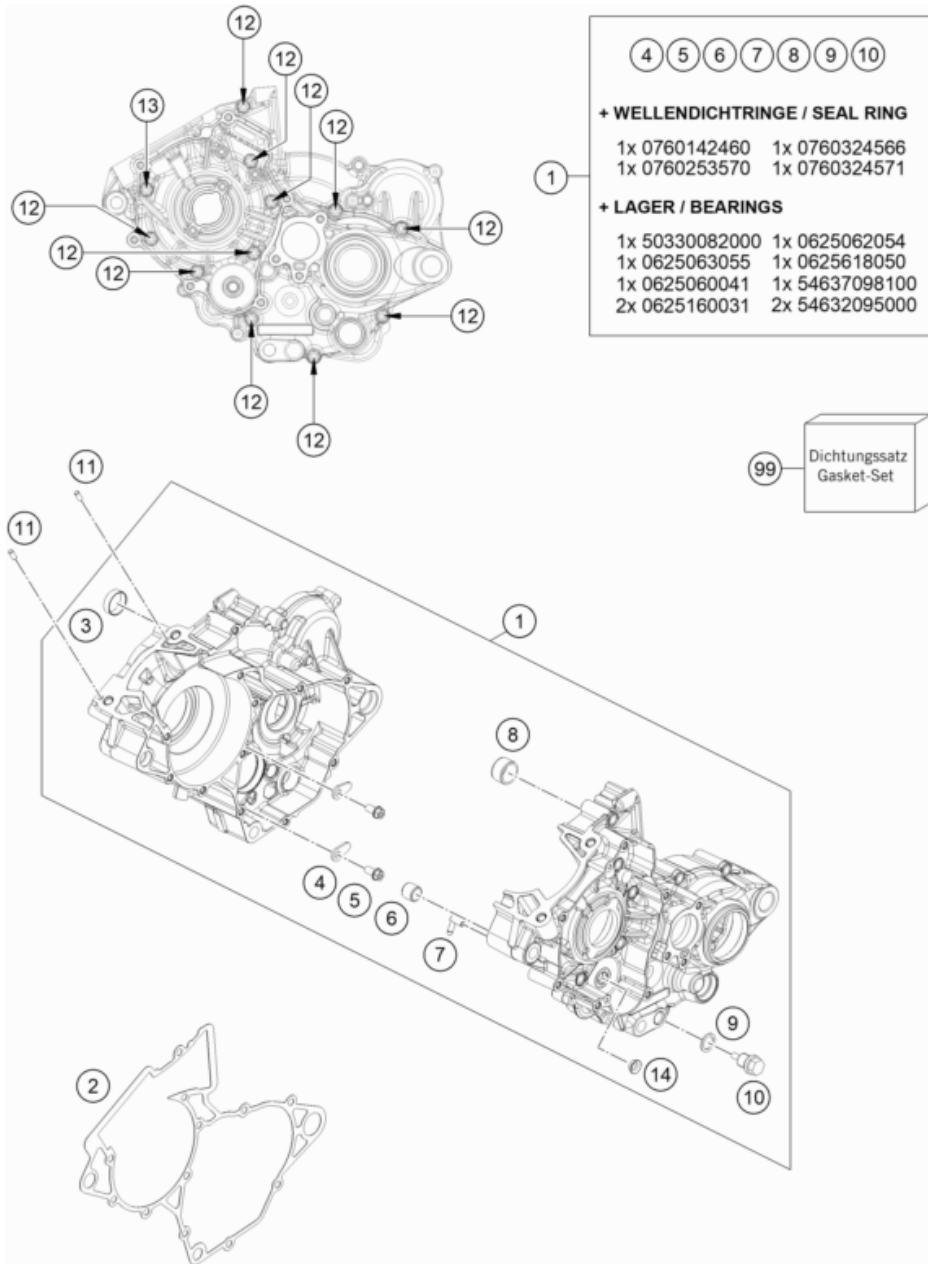


**18**

**FUEL DISTRIBUTOR**



**19**



POS	PARTNUMBER		PIECE
1	50430100244	Engine case cmpl.	1
2	50430039000	GASKET ENGINE CASE	1
3	50433024050	BUSHING IDLER GEAR	1
4	54634049000	RETAINING PLATE	2
5	0025060126S	Hex collar screw M6x12 ISA30 self-lockin	2
6	54630027000	DOWEL BUSHING 13,8X11X12	1
7	45130022000	ANGLE PIECE 50CCM LC 2001	1
8	54830027100	Dowel, 21x12	1
9	58038022000	CU-SEAL RING DIN7603-12X18X1,5	1
10	58030021000	OILDRAIN PLUG W.MAG. M 12X1,5	1
11	0402040980	NEEDLE ROL.DIN5402 NRB 4X9,8	2
12	0025060506	HH collar screw M6x50 TX30	11
13	0025060606	HH collar screw M6x60 TX30	1
14	55140030100	COLLAR BUSHING	1
99	50430099000	GASKET SET ENGINE 125/150	x

205173010

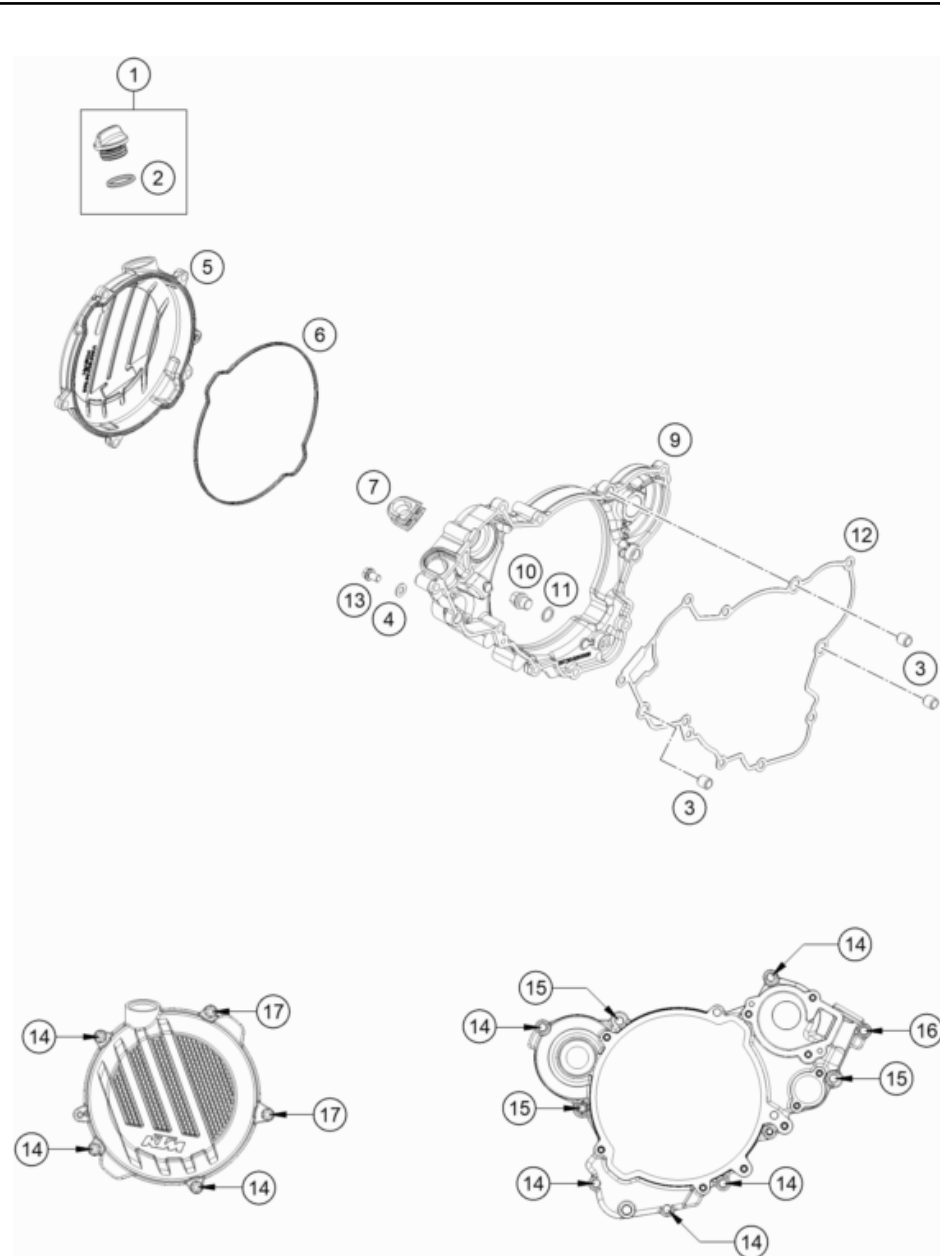
54605

\* NEW PART

X ON DEMAND

# CLUTCH COVER

Engine 150 / EXC / XC-W 2021 2021



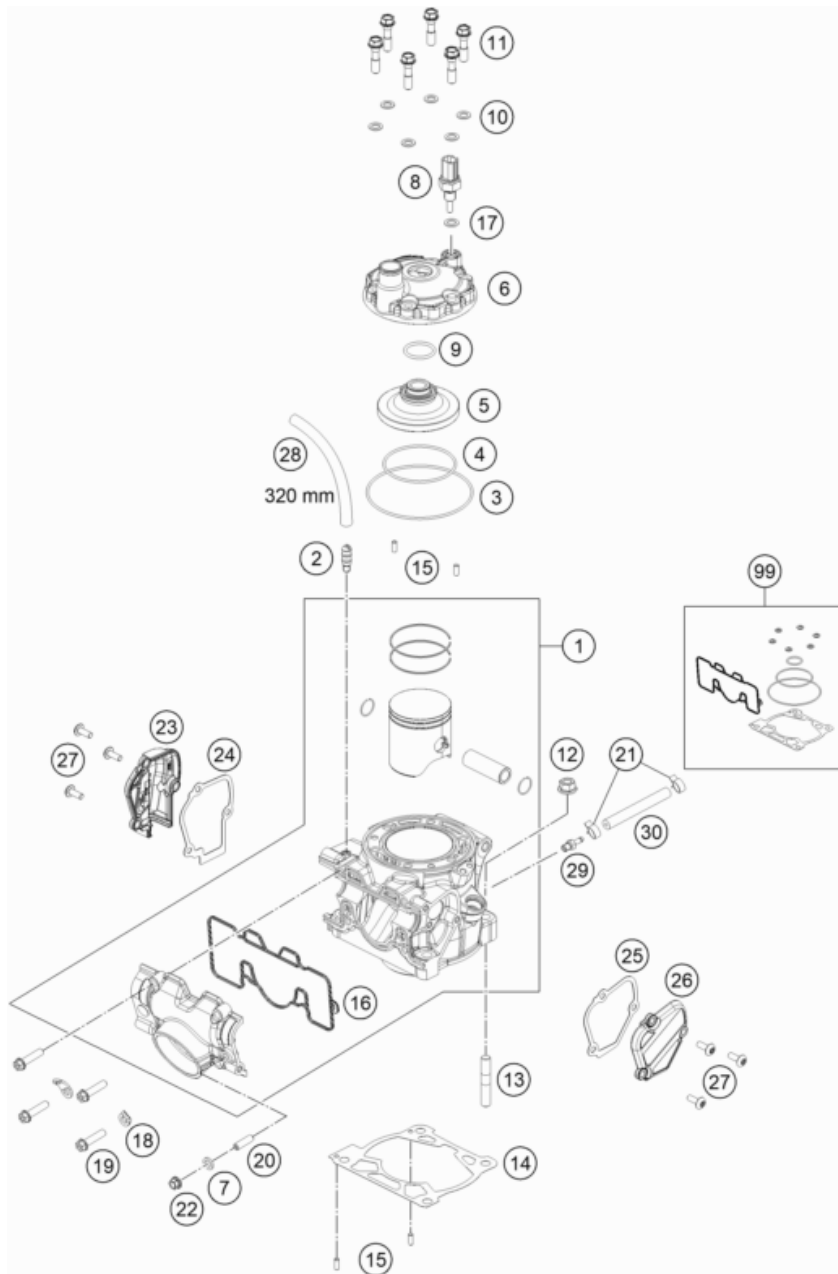
POS	PARTNUMBER		PIECE
1	79430020033	OIL FILLER CAP M24x3 WITH O-R	1
2	0770191015	O-RING 19,00X3,00 NBR	1
3	49030090000	DOWEL 9,8 X 7 X 10	3
4	0603061001	CU-SEAL RING DIN7603-6X10X1	1
5	5053002600015	Outer clutch cover	1
6	50430027000	GASKET OUTER CLUTCH COVER	1
7	50437091100	Sealing element	1
9	51730001044	Inner clutch cover cmpl.	1
10	0910100003	PLUG DIN0910-M 10X1	1
11	0603100141	sealing ring DIN 7603 10x14x1	1
12	50430025000	GASKET INNER CLUTCH COVER	1
13	0025060106	HH collar screw M6x10 TX30	1
14	0025060206	HH collar screw M6x20 TX30	8
15	0025060256	HH collar screw M6x25 TX30	3
16	0025060306	HH collar screw M6x30 TX30	1
17	0025060506	HH collar screw M6x50 TX30	2

205173020

53015

\* NEW PART

X ON DEMAND



POS	PARTNUMBER		PIECE
1	51730138100	Cylinder + Pistom cpl. 150 Enduro	1
2	78036020090	VACUUM CONNECTION M6	1
3	0770890200	O-RING 89X2 NBR 70 SH	1
4	0770640200	O-RING 64X2 FPM 80SH	1
5	51730060000	Comustion chamber insert	1
6	51730106000	cylinder head	1
7	0603061001	CU-SEAL RING DIN7603-6X10X1	1
8	79435047000	water temperature sensor	1
9	07702300251	O-RING 23,00X2,5 NBR 70 SH	1
10	0603070121	CU-SEAL RING DIN7603- 7,3X12X1	6
11	50430079000	CYLINDER HEAD SCREW	6
12	50330045000	HH COLLAR NUT M 8 WS=12	4
13	0835080326	STUD DIN 835 M8X32	4
14	50430035015	CYLINDER BASE GASKET 0.15MM	x
14	50430035025	CYLINDER BASE GASKET 0.25MM	x
14	50430035050	CYLINDER BASE GASKET 0.50MM	x
14	50430035020	CYLINDER BASE GASKET 0.20MM	x
14	50430035040	CYLINDER BASE GASKET 0.40MM	x
14	50430035075	CYLINDER BASE GASKET 0.75MM	x
15	0402040980	NEEDLE ROL.DIN5402 NRB 4X9,8	4
16	50437046000	GASKET CONNECTION FLANGE	1
17	0770100020	o-ring 10.00x2.00 silicone	1
18	51005074000	RETAINING PLATE	2
19	0025060256	HH collar screw M6x25 TX30	4
20	0913060203	THREAD PIN DIN0913-M 6X20	1
21	59007017000	CLAMP YDNAC 10096F (9,6MM)	2
22	77336088106	COLLAR NUT M6X1 SW8	1
23	5043700700033	EXHAUST CONTROL COVER R/S	1
24	50437008100	Exhaust ctrl cover gasket rhs	1
25	50437006100	Exhaust ctrl cover gasket lhs	1
26	5043700500033	EXHAUST CONTROL COVER L/S	1
27	58605083114	Roundhead screw, M5x14 TX25	6
28	78015019001	HOSE EPA D=6/10 PER METER	x
29	55430023000	Vacuum connection	1
30	61041095075	tube 3,2x9.0 L=75mm	1
99	50430097000	CYLINDER GASKET SET 125/150 16	x

205173050

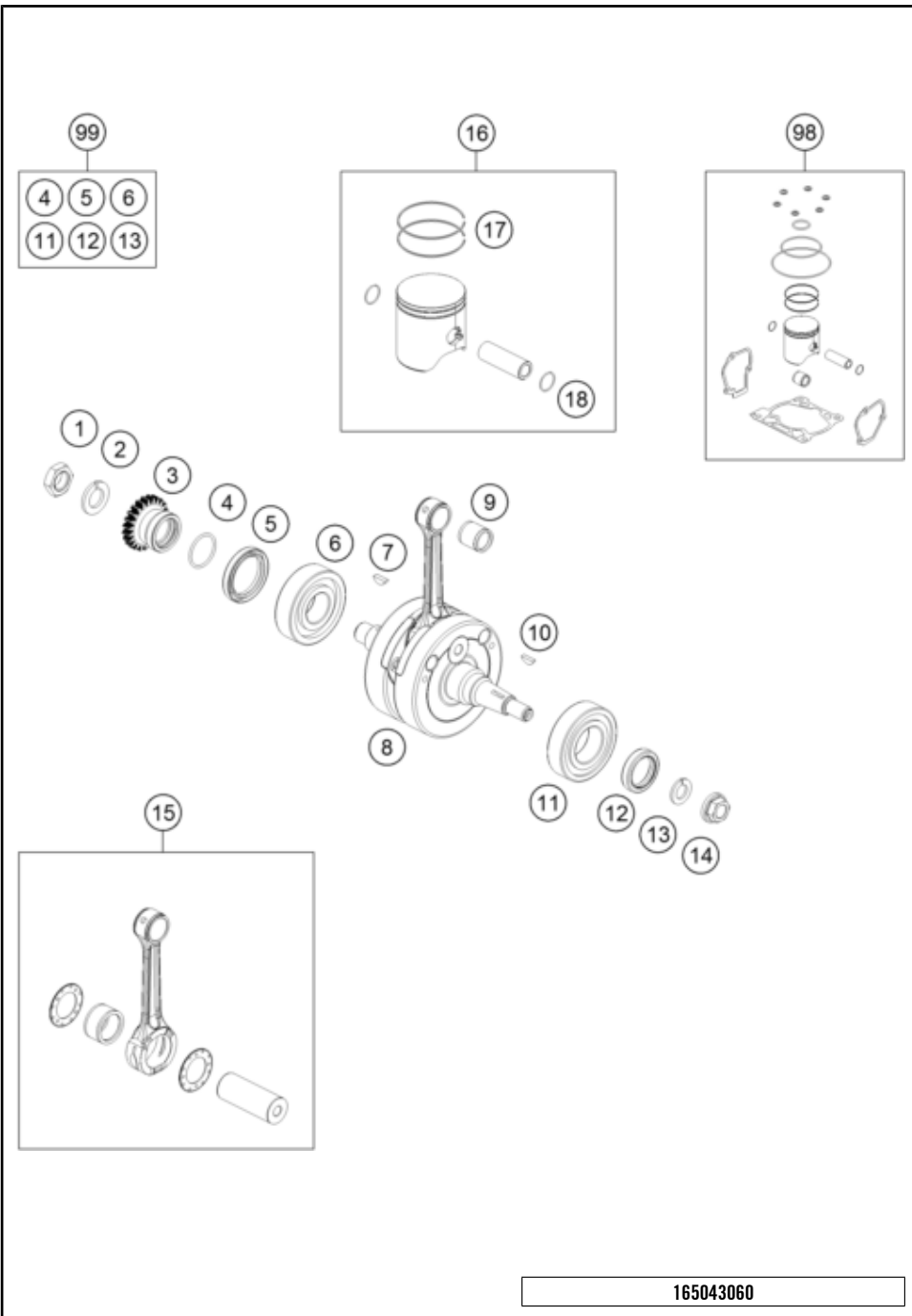
54479

\* NEW PART

X ON DEMAND

# CRANKSHAFT, PISTON

Engine 150 / EXC / XC-W 2021 2021



POS	PARTNUMBER		PIECE
1	50330029000	HEXAGON NUT M 16 X 1,5 - L/S	1
2	50230029016	LOCKING RING VSK 16	1
3	50532023023	gear primary drive	1
4	0770250020	O-RING 25,00X2,00 NBR 70	1
5	0760324566	Shaft seal ring 32x45x6.5	1
6	0625063055	BALL BEARING 6305 JR2 CS36	1
7	0888040050	woodruff key DIN 6888 4x5x13	1
8	50530018000	Crankshaft	1
9	51030034000	NEEDLE BEARING KBK 15X19X20	1
10	0888030050	WOODRUFF KEY DIN6888-3X5X13	1
11	50330082000	CYL.ROLLER BEAR.NJ206 ET2XCS46	1
12	0760253570	SHAFT SEAL RING 25X35X7 BTSL	1
13	50230029012	LOCKING RING VSK 12	1
14	49030021100	Collar nut, M12x1, right	1
15	50530015044	Connecting rod repair kit	1
16	51730007000 II	Piston II cpl. 150 Enduro	x
16	51730007000 I	Piston I cpl. 150 Enduro	x
17	51630032044	PISTON RING SET 150	1
18	50330074500	WIRE LOCK RING 15X1	2
98	00050000270	Pistonkit II 150 Enduro	x
98	00050000269	Pistonkit I 150 Enduro	x
99	00050002300	CRANKSHAFT REP. KIT 125-200	x

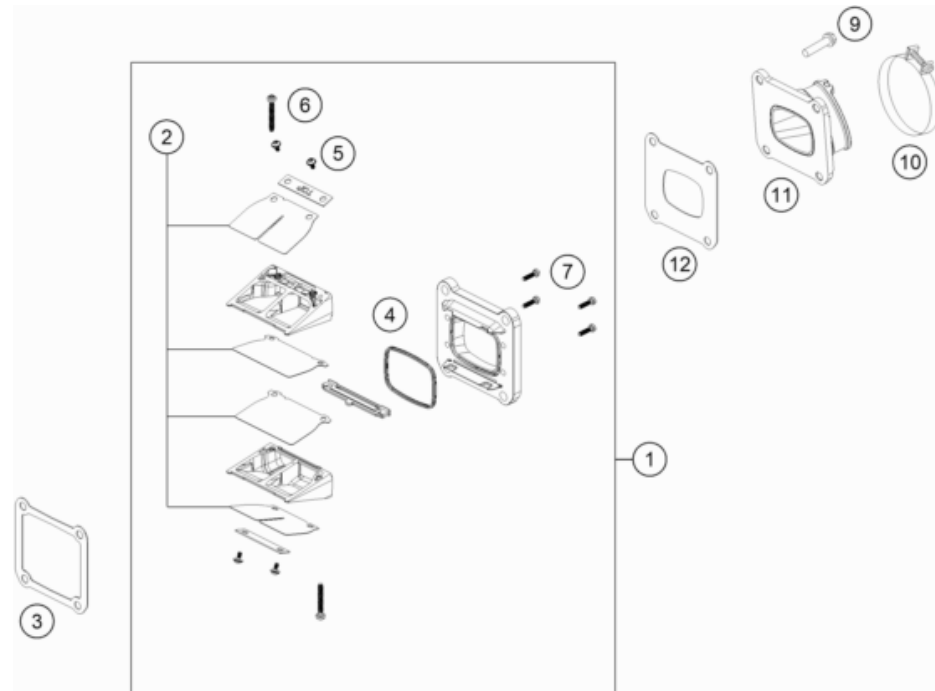
165043060

54475

\* NEW PART X ON DEMAND

# REED VALVE CASE

Engine 150 / EXC / XC-W 2021 2021



POS	PARTNUMBER		PIECE
1	50530051044	Reed Valve Case cpl.	1
2	50530152044	Reed Valve Set	1
3	50430098050	GASKET REED VALVE CASE	1
4	54830153050	GASKET SUPPORTING PLATE	1
5	00810300553	EJOT DELTA PT SCREW 30X5,5	4
6	0081035253	EJOT DELTA PT SCREW 35X25	2
7	0081030124	EJOT DELTA PT SCREW 30X12	4
9	0025060256	HH collar screw M6x25 TX30	4
10	54330061000	CLAMP 52/12 GEMI	1
11	50430050000	INTAKE FLANGE	1
12	50430098060	GASKET INTAKE FLANGE	1

205053070

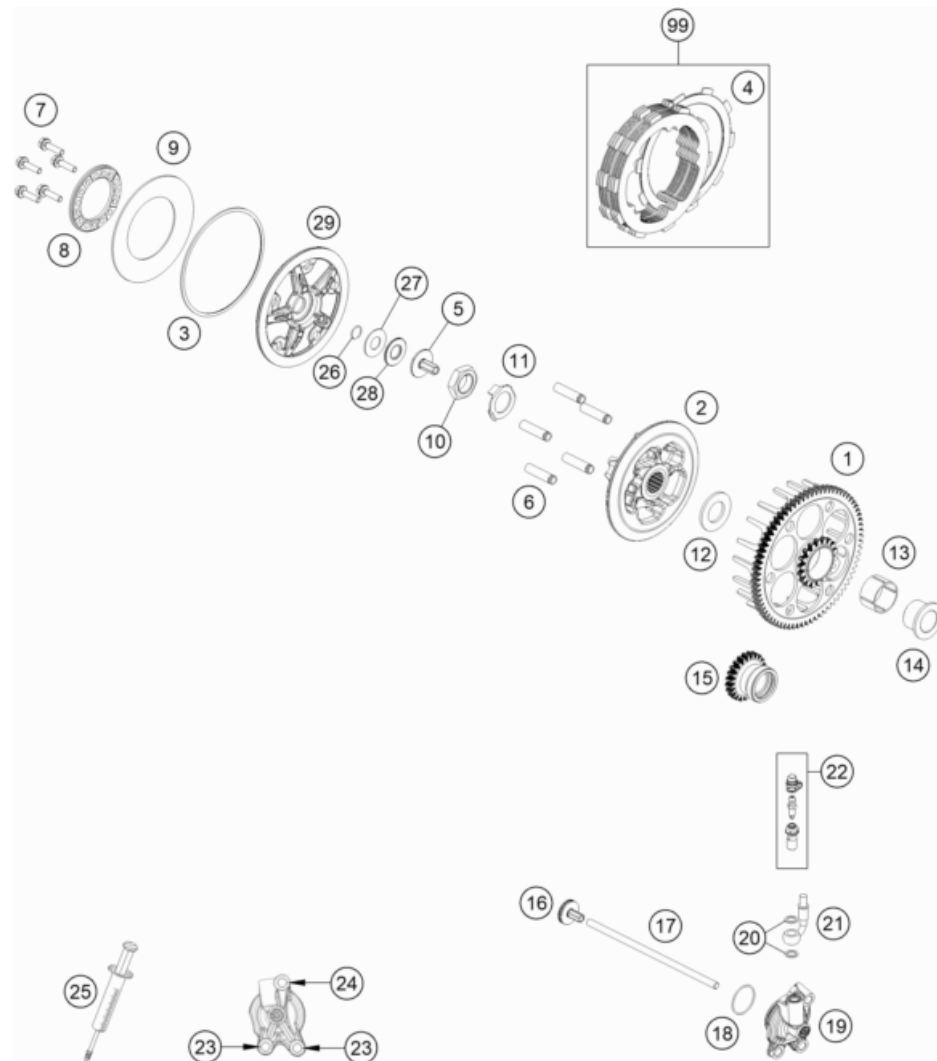
53020

\* NEW PART

X ON DEMAND

# CLUTCH

Engine 150 / EXC / XC-W 2021 2021



POS	PARTNUMBER		PIECE
1	50532001073	clutch basket SX	1
2	50532002000	Inner clutch hub	1
3	50532013000	Inner ring	1
4	50532111000	Friction plate 2 mm	7
5	78032057000	PRESSURE PIECE	1
6	50532004100	Sleeve 7.95x31.65	5
7	0025050206	HH collar screw M5x20 TX30	5
8	50532006000	Spring plate	1
9	50532005000	Clutch spring	1
10	0936181505	HEXAGON NUT DIN0936-M18X1,5 R.	1
11	78132018100	locking plate	1
12	50532017000	Supporting plate 20x36x2.5	1
13	0405263017	Needle cage K263017	1
14	50532015000	Collar 20x26x19,5	1
15	50532023023	gear primary drive	1
16	78032057044	PRESSURE PIECE CPL. 08	1
17	50532054000	Push rod	1
18	0770300015	O-RING 30,00X1,50 NBR 70	1
19	79232061044	OUTPUT CYLINDER CPL.	1
20	0603082121	SEAL RING CU DIN7603- 8X12X1	2
21	79232063000	CLUTCH PIPE	1
22	79032064000	BLEEDER SCREW CPL.	1
23	0025060166	HH collar screw M6x16 TX30	2
24	0025060256	HH collar screw M6x25 TX30	1
25	50329050000	VENT INJEKTION HYDR. CLUTCH	1
26	0993012000	CIRCLIP DIN7993-RW12	1
27	54637098200	AXIAL WASHER AS1226 12X26X1	1
28	54637097200	AXIAL NEEDLE BEARING AXK 1226	1
29	50532003000	Pressure plate	1
99	50532110033	Clutch disc pack	1

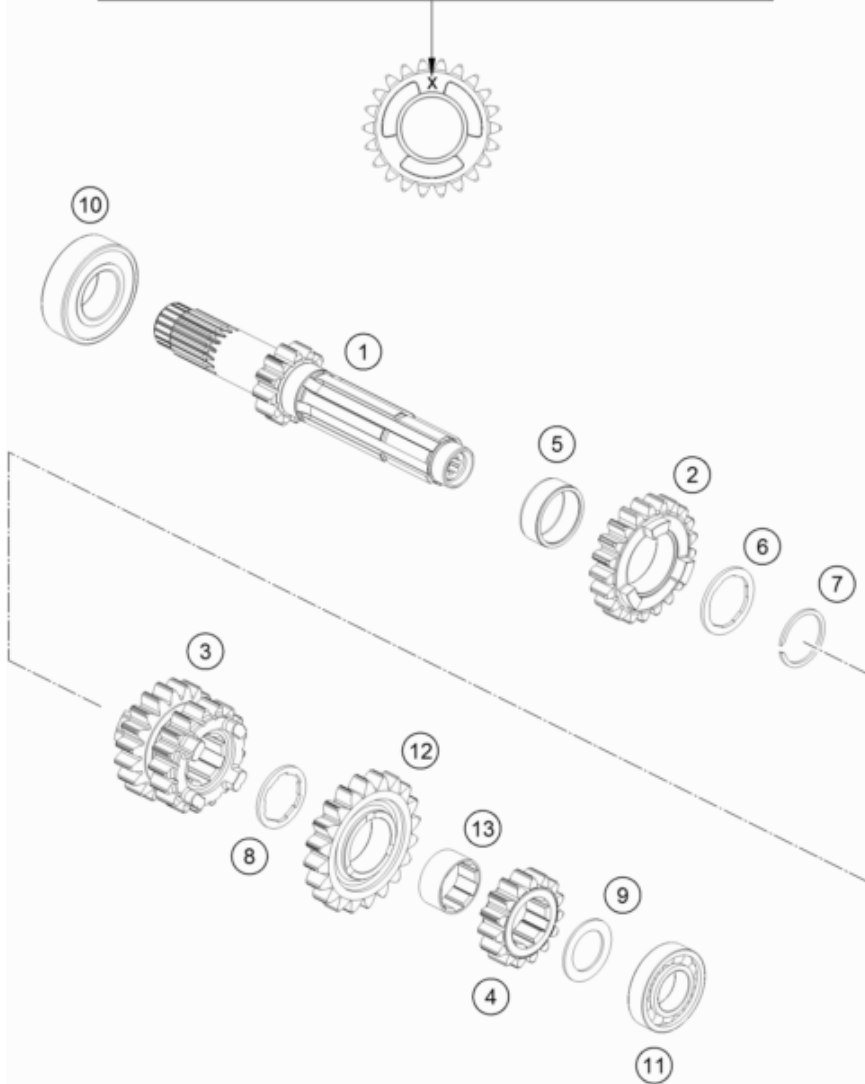
195053210

54480

\* NEW PART

X ON DEMAND

**ACHTUNG !!!**  
 Bei Bestellung von Getrieberädern, Markierung beachten.  
**CAUTION !!!**  
 When ordering transmission gears, check marking.



POS	PARTNUMBER		PIECE
1	50533101000	Drive shaft assy. not=12	1
2	50533105000	Idler gear, 5th gear, teeth=21	1
3	50533103000	Sliding gear, 3rd/4th gear, teeth=17/19	1
4	50533102000	Fixed gear, 2nd gear, teeth=15	1
5	0405222611	NEEDLE BEAR.K 22X26X10 DIVIDED	1
6	50533034000	Thrust washer	1
7	50133090000	LOCK RING 22X1,2	1
8	50533033000	Thrust washer	1
9	50333041000	STOP DISC 17,2X26X1 B	1
10	0625060041	BALL BEARING 6004 TNH C3	1
11	0625160031	GROOVED BALL B. 16003 C4 J1	1
12	50533106000	Idler gear, 6th gear, teeth=20	1
13	50533024000	bushing	1

195053331

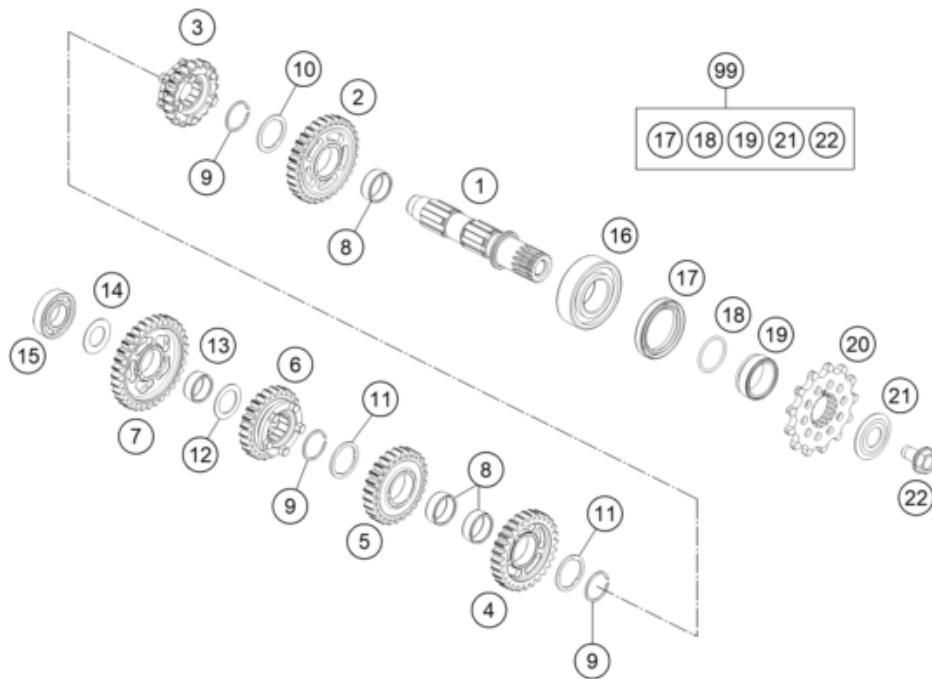
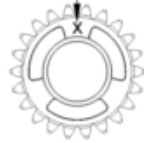
53025

\* NEW PART

X ON DEMAND

**ACHTUNG !!!**  
Bei Bestellung von Getrieberädern, Markierung beachten.

**CAUTION !!!**  
When ordering transmission gears, check marking.



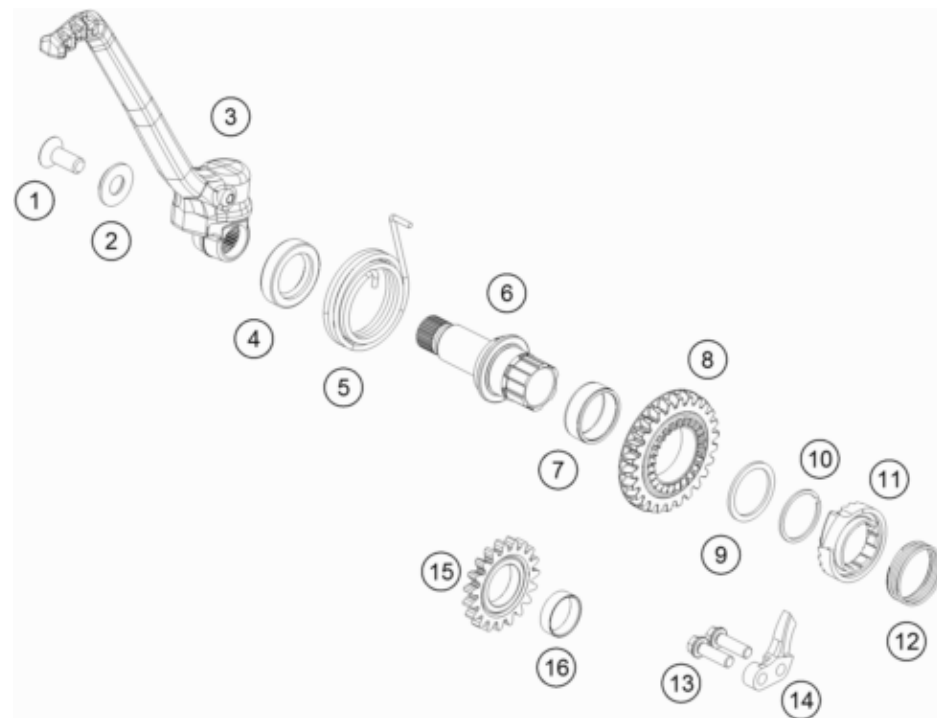
POS	PARTNUMBER		PIECE
1	50533010100	pinion shaft	1
2	50533112000	Idler gear, 2nd gear, teeth=31	1
3	50533116000	Sliding gear, 6th gear, teeth=20	1
4	50533013000	Idler gear, 3rd gear, not=28	1
5	50533114000	Idler gear, 4th gear, teeth=26	1
6	50533115000	Sliding gear, 5th gear, teeth=25	1
7	50533111000	Idler gear, 1st gear, teeth=33	1
8	0405222611	NEEDLE BEAR.K 22X26X10 DIVIDED	3
9	0417024000	CIRCLIP WS24	3
10	77733044000	STOP DISC 24X32X1,5	1
11	77733043000	STOP DISC 23,4X31X1,5	2
12	54833080000	STOP DISC 20,2X30X1	1
13	0405202410	NEEDLE BEARING K20X24X10	1
14	56033030000	STOP DISC 17,2X30X1	1
15	0625160031	GROOVED BALL B. 16003 C4 J1	1
16	0625062054	BALL BEARING 6205 C3 NTN	1
17	0760324571	SHAFT SEAL RING 32X45X7 BSLNBR	1
18	0770230020	O-RING 23,00X2,00 NBR70	1
19	50433030000	SPACER BUSHING 12,4 MM	1
20	79233029013	SPROCKET 13T	1
21	59033034000	SPRING WASHER 17,2X40X1,5	1
22	59033029000	HH COLLAR SCREW M10X18 10.9	1
99	50533010110	Counter shaft repair kit 125/150cc	1

205053361

53026

\* NEW PART

X ON DEMAND



POS	PARTNUMBER		PIECE
1	0019080206S	FLAT HEAD SCREW M. ISA45 M8X20	1
2	54633037000	WASHER 8MM GALVANIZED	1
3	50433070044	KICKSTARTER CPL.	1
4	0760193070	SHAFT SEAL RING 19X30X7 B	1
5	50433054200	Kick-starter spring	1
6	79233050000	KICK STARTER SHAFT	1
7	0405252910	NEEDLE BEAR K 25X29X10	1
8	50533051026	Kickstart gear t26	1
9	54833044000	STOP DISC 25X31X1,5	1
10	0417025000	CIRCLIP SW25	1
11	50433052000	KICK STARTER RATCHET	1
12	58033028000	RATCHET GEAR SPRING 1,2 MM	1
13	014580060206S	Cyl. screw ISO 14580 M6x20 SS	2
14	59033069000	BUMP PART	1
15	50533053119	Starter idler gear 19 Z	1
16	50433024050	BUSHING IDLER GEAR	1

195053390

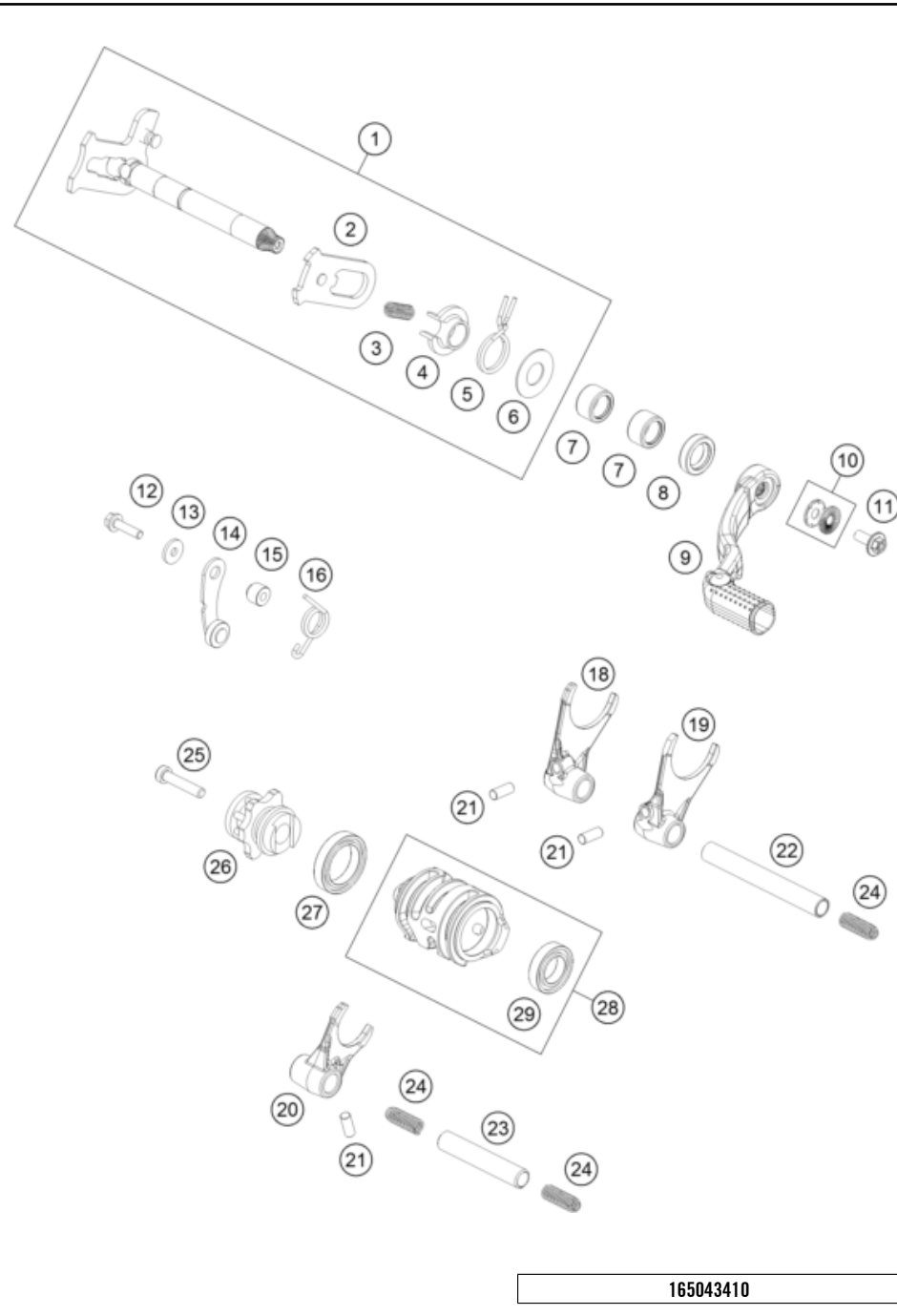
53027

\* NEW PART

X ON DEMAND

# SHIFTING MECHANISM

Engine 150 / EXC / XC-W 2021 2021



POS	PARTNUMBER		PIECE
1	50534005044	Shift shaft cmpl.	1
2	61234008044	SLIDING PLATE	1
3	56534013100	TENSIONING SPRING 0,8MM	1
4	54634020000	SPRING GUIDE	1
5	54834014000	RETURN SPRING 03	1
6	54634050000	STOP DISK 14X30X1	1
7	54632095000	needle sleeve HK 1412 14x20x12	2
8	0760142460	radial shaft seal 14x24x6 B	1
9	50434031000	SHIFT LEVER CPL.	1
10	50233041500	PAIR NORDLOCK WASHER M6	1
11	0024060156S	HH collar screw M6x15 TX30	1
12	0025050206	HH collar screw M5x20 TX30	1
13	0349000050	WASHER DIN7349-5X15X2	1
14	50334024144	LOCATING LEVER CPL. 08	1
15	54634052300	SLEEVE FOR LOCKING LEVER	1
16	54834023000	LOCKING LEVER SPRING 03	1
18	50434003000	SHIFTING FORK 1ST/3RD GEAR	1
19	50534002000	shifting fork 2/4 gear	1
20	50434001000	SHIFTING FORK 5/6 GEAR	1
21	0402061480	NEEDLE ROLLER DIN5402 6X14,8	3
22	54834020000	SHIFT. RAIL C. SHAFT 250/300	1
23	54834019000	SHIFT. RAIL MAIN SHAFT 250/300	1
24	58038023200	PRESSURE SPRING 0,9MM	3
25	0012060303	AH SCREW DIN6912 M6X30 8.8	1
26	50434015100	Shift drum locating cpl.	1
27	0625618050	BALL BEARING 61805 C3	1
28	50534012033	Shift roller cpl.	1
29	0625069034	BALL BEARING 6903 C4	1

165043410

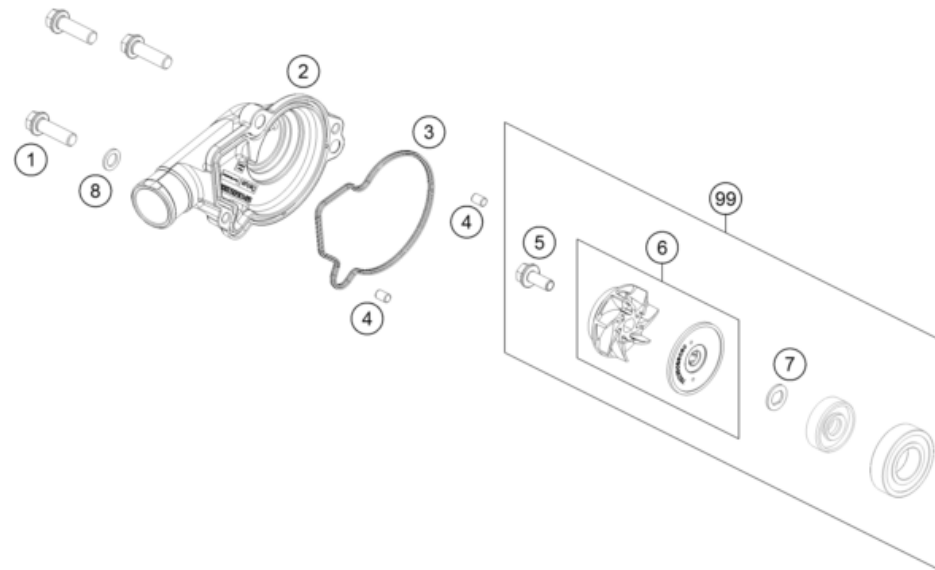
53028

\* NEW PART

X ON DEMAND

# WATER PUMP

Engine 150 / EXC / XC-W 2021 2021



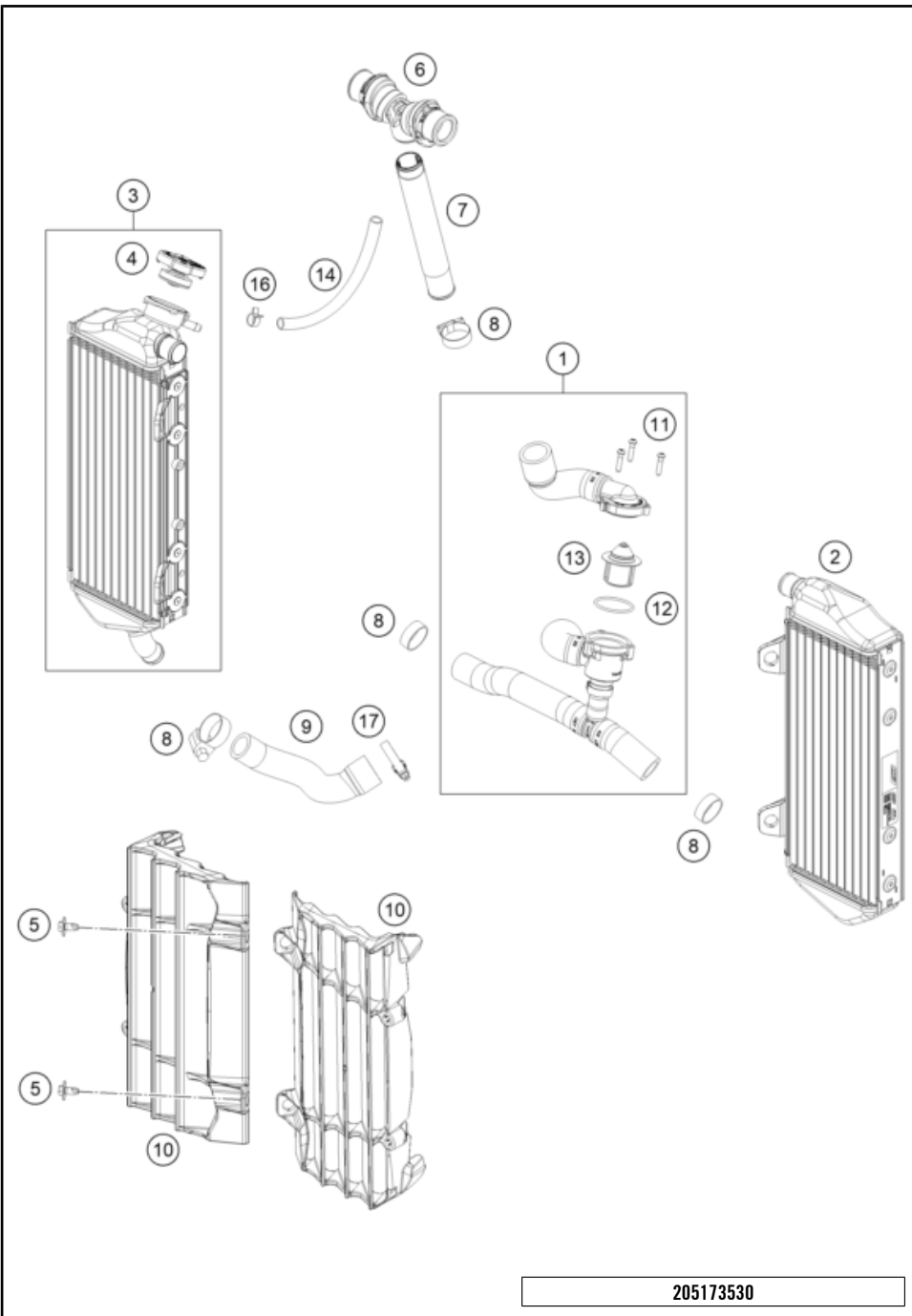
POS	PARTNUMBER		PIECE
1	0025060206	HH collar screw M6x20 TX30	3
2	50435052000	WATER PUMP COVER	1
3	50435053000	GASKET WATER PUMP COVER	1
4	0402040600	NEEDLE ROOLER DIN5402 NRB 4X6	2
5	0014050123	HH COLLAR SCREW M 5X12 WS=6	1
6	79235055044	WATER PUMP WHEEL CPL.	1
7	50435049000	PREFORMED WASHER	1
8	0603061001	CU-SEAL RING DIN7603-6X10X1	1
99	50435055015	WATER PUMP REP. KIT	x

165043510

17164

\* NEW PART

X ON DEMAND



POS	PARTNUMBER		PIECE
1	51735026033	Radiator hose eng. thermos.	1
2	50535007100	Radiator, left 19	1
3	50535008100	Radiator right	1
4	79035016000	RADIATOR CAP 1,8 BAR	1
5	0024060123	COLLAR SCREW M6X12 TX	4
6	79135071044	Y-hose cpl.	1
7	79135073000	threaded bushing	1
8	10001020300	hose clamp 18-29	6
9	50535027000	preformed hose	1
10	7913503400030	radiator protector le/ri black	2
11	0016040183	SCREW FOR PLASTIC D=4X18	3
12	0770320020	O-RING 32,00X2,00	1
13	59435017000	THERMOSTAT 70 DEGREE 04	1
14	50335030001	PVC-HOSE 6X9	1
16	59007017000	CLAMP YDNAC 10096F (9,6MM)	1
17	79135031000	Hose clip 22-33	2

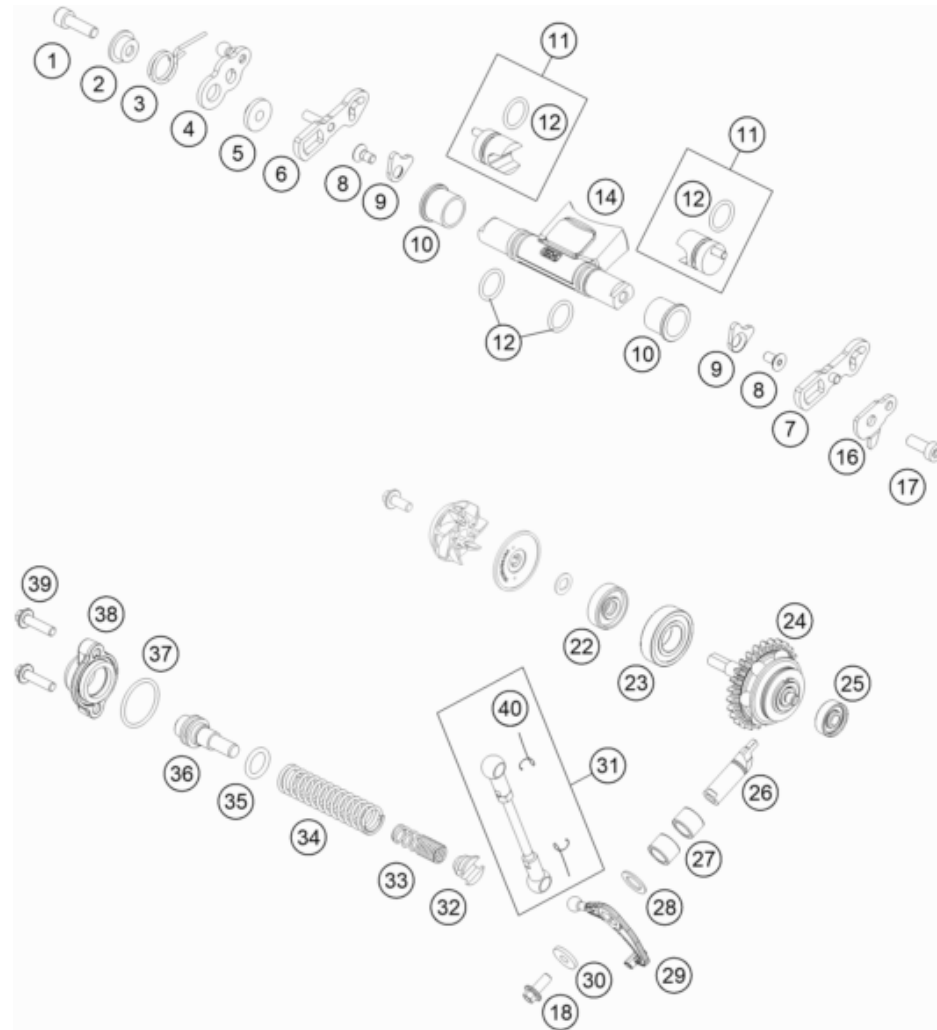
205173530

54537

\* NEW PART X ON DEMAND

# EXHAUST CONTROL

Engine 150 / EXC / XC-W 2021 2021



POS	PARTNUMBER		PIECE
1	0912060203	AH SCREW DIN0912-M 6X20	1
2	54637067000	SPRING SLEEVE	1
3	54637066000	OVERLOAD SPRING	1
4	54637065000	CONTROL LEVER WITH BALL TYPE	1
5	54637068100	BUSHING SLEEVE	1
6	50437065044	SLOTTED LEVER R/S	1
7	50437064044	SLOTTED LEVER L/S	1
8	0019050106S	hex lobe countersunc screw M5x10 - 10.9	2
9	50437079100	securing plate	2
10	50437023100	exhaust flap bushing	2
11	51737061044	Power valve compl.	2
12	0770140201	O-RING 14X2 FPM 75SH	4
14	51637020000	EXHAUST FLAP	1
16	50437085000	STOP PLATE	1
17	0912060163	AH SCREW DIN0912-M 6X16	1
18	0014050123	HH COLLAR SCREW M 5X12 WS=6	1
22	0760082472	SHAFT SEAL RING 8X24X7 A DUO	1
23	0625160020	BALL BEARING 16002 C3	1
24	50537050144	Centrifugal force unit	1
25	54637098100	BALL BEARING 626LLBC3/5K	1
26	50437057100	ADJUSTING LEVER 125/150 2016	1
27	0618101410	needle sleeve HK 1010 10x14x10	2
28	0988101610	SHIM WASHER DIN988 10X16X1	1
29	47237056100	Power valve control lever	1
30	0349000050	WASHER DIN7349-5X15X2	1
31	50437095044	CONNECTING ROD CPL.	1
32	54637071200	SPRING INSERT	1
33	50437069050	SUPPORT SPRING	1
34	51737069000	Adjustment spring	1
35	0770021120	O-RING 12,37X2,62 NBR70	1
36	54837075000	SPRING GUIDE 250/300	1
37	0770240020	O-RING 24,00X2,00 NBR70	1
38	54637070300	Closing cover 250-360	1
39	0014050203	HH COLLAR SCREW M 5X20 WS=6	2
40	50237195055	SECURING DIN-71805-S-8	2

205173710

54478

\* NEW PART

X ON DEMAND



POS	PARTNUMBER		PIECE
1	55638070033	Oilfillercap cpl.	1
2	55638061020	Filler plug oil tank	1
3	55638062000	Oil level sensor	1
4	55638065200	Tube	1
5	55738061060	Angle piece oil tank	1
6	55738061200	Oil tank	1
7	61238016100	Oil Screen	1
8	55641075000	Crankcase Presure Sensor CCP	2
9	55738061070	Sensor cover	1
10	55738061040	Oil pump bracket	1
11	0025060126S	Hex collar screw M6x12 ISA30 self-lockin	2
12	55638064000	Oil pump	1
13	00050271708	VARIABLE ONE-EAR CLAMP 27,1MM	3
14	0081645121	EJOT DELTA PT SCREW 45X12-Z	3
15	0081050181	SCREW FOR PLASTIC K50X18 T20	2
16	59007017000	CLAMP YDNAC 10096F (9,6MM)	1
17	58431082100	YDNAC-CLAMP 10173 (16MM) '98	1
18	55538086000	Clamp 1	2
19	55538087000	Clamp 2	2
20	55538083044	Tube set, oil tank	1
21	0025060506	HH collar screw M6x50 TX30	1
22	55738061052	Damping rubber	2

215553810

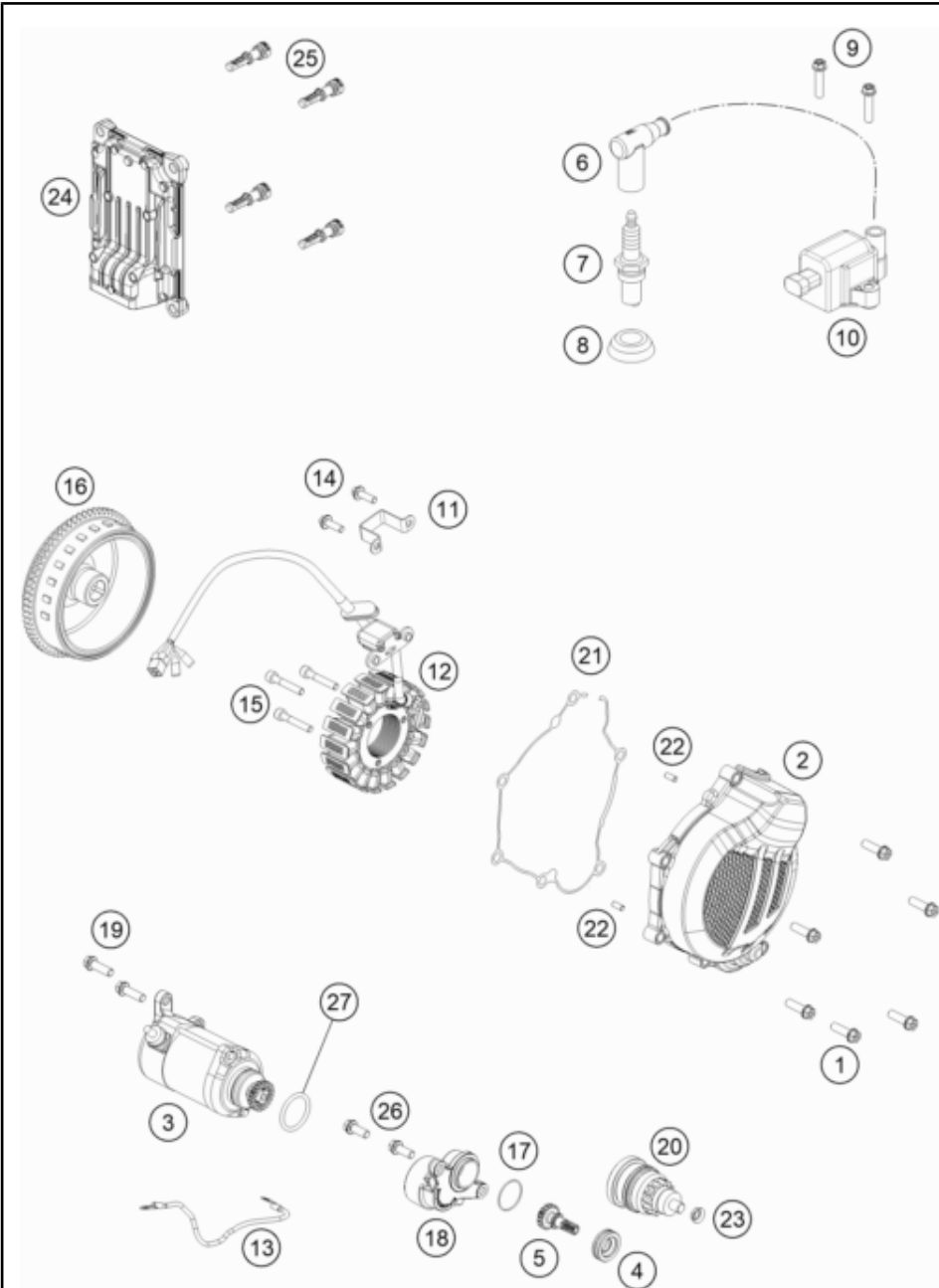
54511

\* NEW PART

X ON DEMAND

# IGNITION SYSTEM

Engine 150 / EXC / XC-W 2021 2021



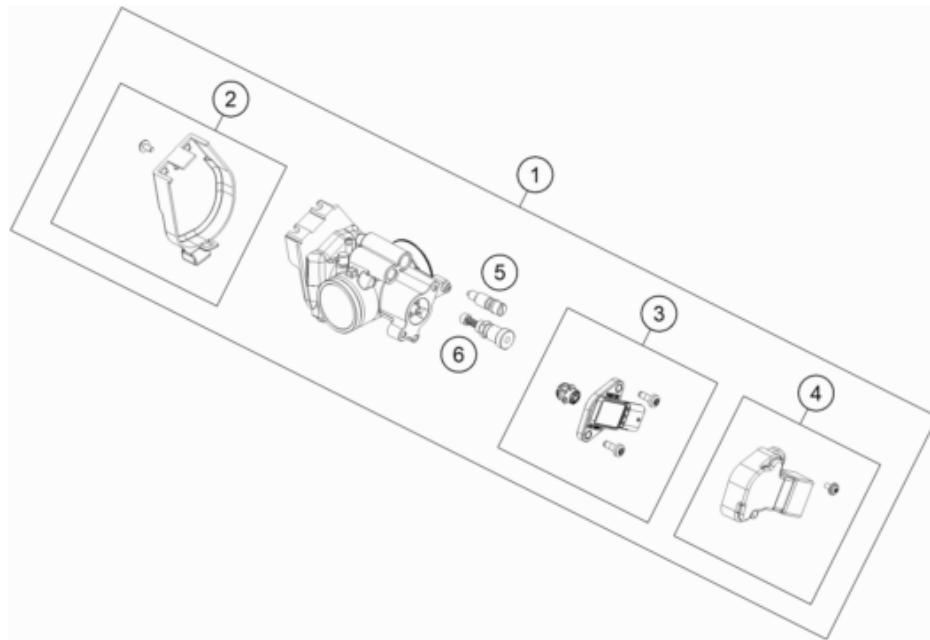
POS	PARTNUMBER		PIECE
1	0025060256	HH collar screw M6x25 TX30	6
2	5173010200015	Ignitioncover EXC	1
3	51740001033	electric starter assy.	1
4	51740002033	Bushing cpl.	1
5	51740014000	Twin gear	1
6	55639007100	Ignition wire	1
7	51739193000	Spark plug	1
8	51739091000	Sealing boot	1
9	0025060256	HH collar screw M6x25 TX30	2
10	55639006000	Ignition coil	1
11	50439004010	PICKUP BRACKET	1
12	51739104000	Stator	1
13	51711059000	starter cable	1
14	0014050163	HH COLLAR SCREW M 5X16 WS=6	2
15	0912050303	AH SCREW DIN0912-M 5X30	3
16	51739105000	Flywheel	1
17	0770230010	O-ring, 23x1 NBR 70	1
18	51740012033	Console cpl.	1
19	0025060206	HH collar screw M6x20 TX30	2
20	50440026000	BENDIX	1
21	50430040000	GASKET IGNITION COVER	1
22	0402040980	NEEDLE ROL.DIN5402 NRB 4X9,8	2
23	55140030100	COLLAR BUSHING	1
24	55641031000	Control device EFI	1
25	55641030000	Holder control unit	4
26	0025060166	HH collar screw M6x16 TX30	2
27	0770250030	O-RING 25,00X3,00 NBR 70	1

205173910

53033

\* NEW PART X ON DEMAND

POS	PARTNUMBER		PIECE
1	55741001166	Throttle valve body preassembled	1
2	55641056044	TVB cover compl.	1
3	55641077044	TPS compl.	1
4	55641078044	TPS cover compl.	1
5	55741060000	Idle screw	1
6	55741070000	Cold start button	1



205554110

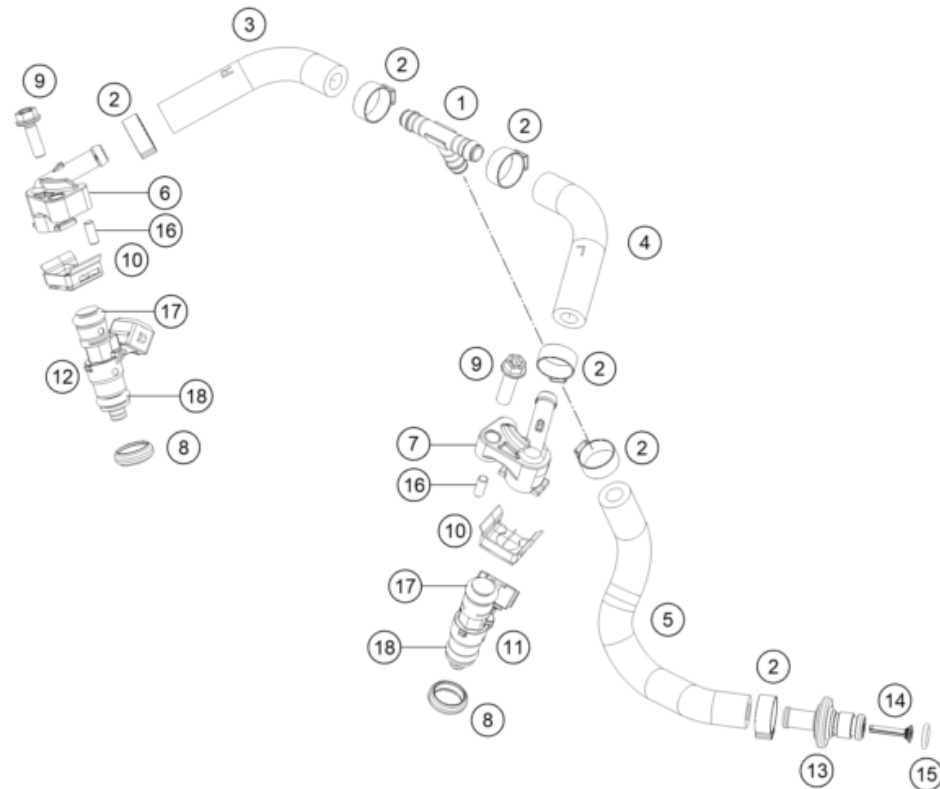
53048

\* NEW PART

X ON DEMAND

# FUEL DISTRIBUTOR

Engine 150 / EXC / XC-W 2021 2021



POS	PARTNUMBER		PIECE
1	55441007000	T-connector 7.5	1
2	00050153706	VARIABLE ONE-EAR CLAMP 15,3MM	6
3	51741019000	TPI hose right	1
4	51741018000	TPI hose left	1
5	51741020000	TPI supply hose	1
6	51741014000	Injector top section right	1
7	51741013000	Injector top section left	1
8	55441024000	Protective ring	2
9	0025060206S	HH collar screw M6x20 TX30	2
10	55441017000	Injector clip	2
11	55441023044	Injector right cpl.	1
12	51741023044	Injector cpl.	1
13	77707010000	CONNECTOR FUEL PUMP	1
14	78141013190	FUEL FILTER	1
15	58507012000	O-RING VITON F. PLUG CPC 05	1
16	0402040980	NEEDLE ROL.DIN5402 NRB 4X9,8	2
17	55641023020	O-ring	2
18	55641023010	O-ring	2

205174130

53065

\* NEW PART

X ON DEMAND

A large, empty rectangular box with a thin black border, occupying the majority of the page. It is intended for handwritten or typed notes.



# KTM.COM



081535UEN

KTM Sportmotorcycle GmbH  
5230 Mattighofen, Austria  
[www.ktm.com](http://www.ktm.com)

**KTM** POWERPARTS

**KTM** POWERWEAR

**KTM** ORIGINAL SPARE PARTS

