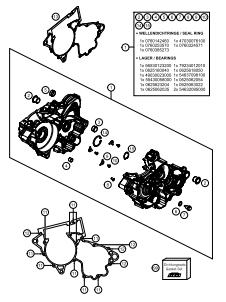
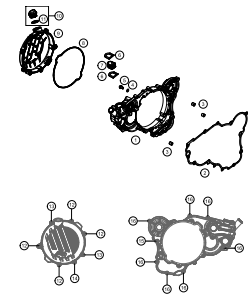
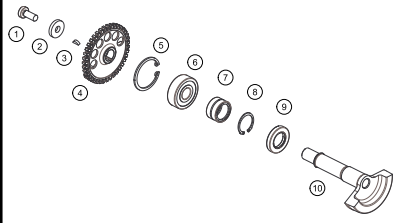
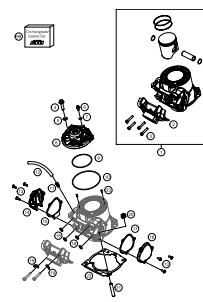
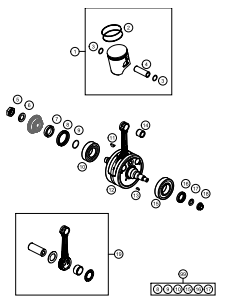
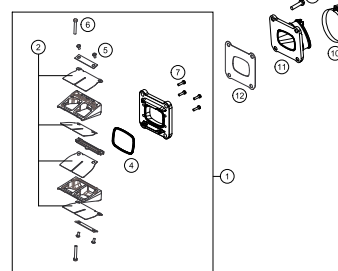
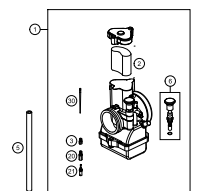
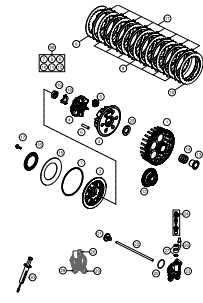
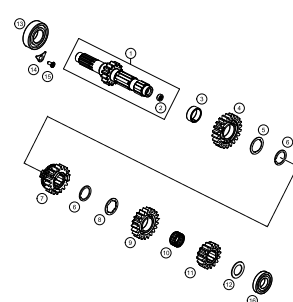
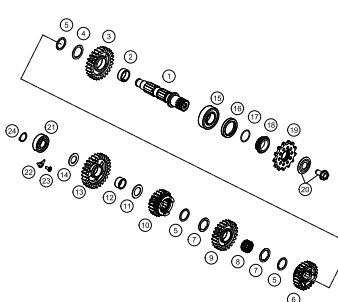
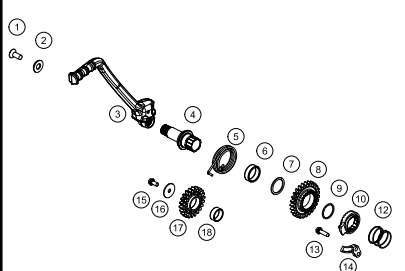
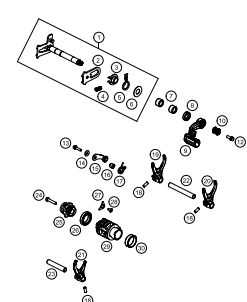


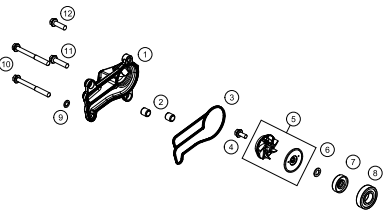
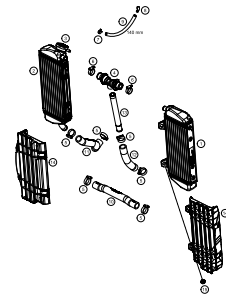
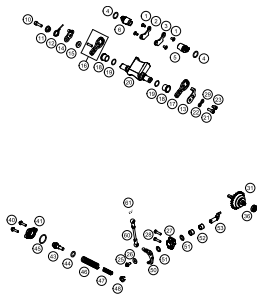
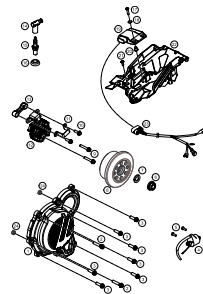
# 250 SX 2017

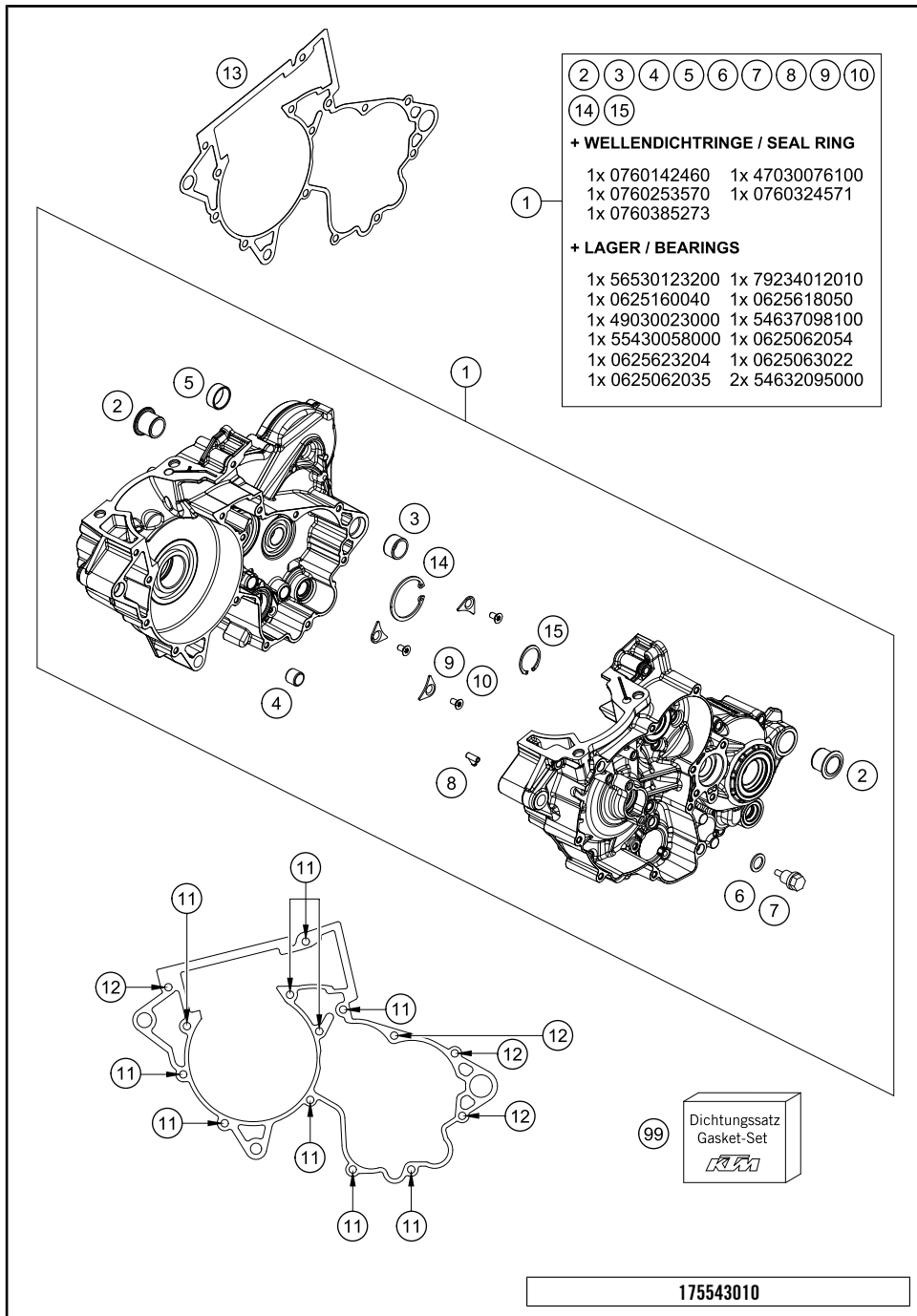
ART.-NR.: 3CM083630QEN





<p><b>ENGINE CASE</b></p>  <p><b>3</b></p>	<p><b>CLUTCH COVER</b></p>  <p><b>4</b></p>	<p><b>BALANCER SHAFT</b></p>  <p><b>5</b></p>	<p><b>CYLINDER, CYLINDER HEAD</b></p>  <p><b>6</b></p>
<p><b>CRANKSHAFT, PISTON</b></p>  <p><b>7</b></p>	<p><b>REED CASE</b></p>  <p><b>8</b></p>	<p><b>9</b></p> <p>ACHTUNG !! Vor dem Einbau des Vergasers, Beulung kontrollieren. CAUTION !! Before mounting the carburetor, check the jetting.</p> 	<p><b>CLUTCH</b></p>  <p><b>11</b></p>
<p><b>TRANSMISSION I - MAIN SHAFT</b></p>  <p><b>12</b></p>	<p><b>TRANSMISSION II - COUNTERSHAFT</b></p>  <p><b>13</b></p>	<p><b>KICK STARTER</b></p>  <p><b>14</b></p>	<p><b>SHIFTING MECHANISM</b></p>  <p><b>15</b></p>

<p><b>WATER PUMP</b></p>  <p style="text-align: right;"><b>16</b></p>	<p><b>COOLING SYSTEM</b></p>  <p style="text-align: right;"><b>17</b></p>	<p><b>EXHAUST CONTROL</b></p>  <p style="text-align: right;"><b>18</b></p>	<p><b>IGNITION SYSTEM</b></p>  <p style="text-align: right;"><b>20</b></p>
	<div style="display: flex; align-items: center;"> <div style="background-color: #cccccc; width: 50px; height: 80px; display: flex; align-items: center; justify-content: center; margin-right: 10px;"> <span style="font-size: 40px; font-weight: bold;">!</span> </div> <div> <p>All information contained is without obligation. KTM Sportmotorcycle GmbH particularly reserves the right to modify any equipment, technical specifications, prices, colors, shapes, materials, services, service work, constructions, equipment and the like so as to adapt them to local conditions or to cancel any of the above items, all without previous announcement and without giving reasons. KTM may stop manufacturing certain models without previous notice. KTM shall not be held liable for any deviations of availability and/or ability to deliver, illustrations, descriptions, printing and/or other errors. The illustrated models partly contain extra equipment, which is not applied to standard models.</p> <p>© by KTM Sportmotorcycle GmbH, Mattighofen AUSTRIA; All rights reserved; Reprint, also in extracts, with written allowance of KTM Sportmotorcycle GmbH, Mattighofen only.</p> </div> </div>		



- |                                       |    |   |                |   |   |   |   |    |
|---------------------------------------|----|---|----------------|---|---|---|---|----|
| 2                                     | 3  | 4 | 5              | 6 | 7 | 8 | 9 | 10 |
| 14                                    | 15 |   |                |   |   |   |   |    |
| <b>+ WELLENDICHTRINGE / SEAL RING</b> |    |   |                |   |   |   |   |    |
| 1x 0760142460                         |    |   | 1x 47030076100 |   |   |   |   |    |
| 1x 0760253570                         |    |   | 1x 0760324571  |   |   |   |   |    |
| 1x 0760385273                         |    |   |                |   |   |   |   |    |
| <b>+ LAGER / BEARINGS</b>             |    |   |                |   |   |   |   |    |
| 1x 56530123200                        |    |   | 1x 79234012010 |   |   |   |   |    |
| 1x 0625160040                         |    |   | 1x 0625618050  |   |   |   |   |    |
| 1x 49030023000                        |    |   | 1x 54637098100 |   |   |   |   |    |
| 1x 55430058000                        |    |   | 1x 0625062054  |   |   |   |   |    |
| 1x 0625623204                         |    |   | 1x 0625063022  |   |   |   |   |    |
| 1x 0625062035                         |    |   | 2x 54632095000 |   |   |   |   |    |

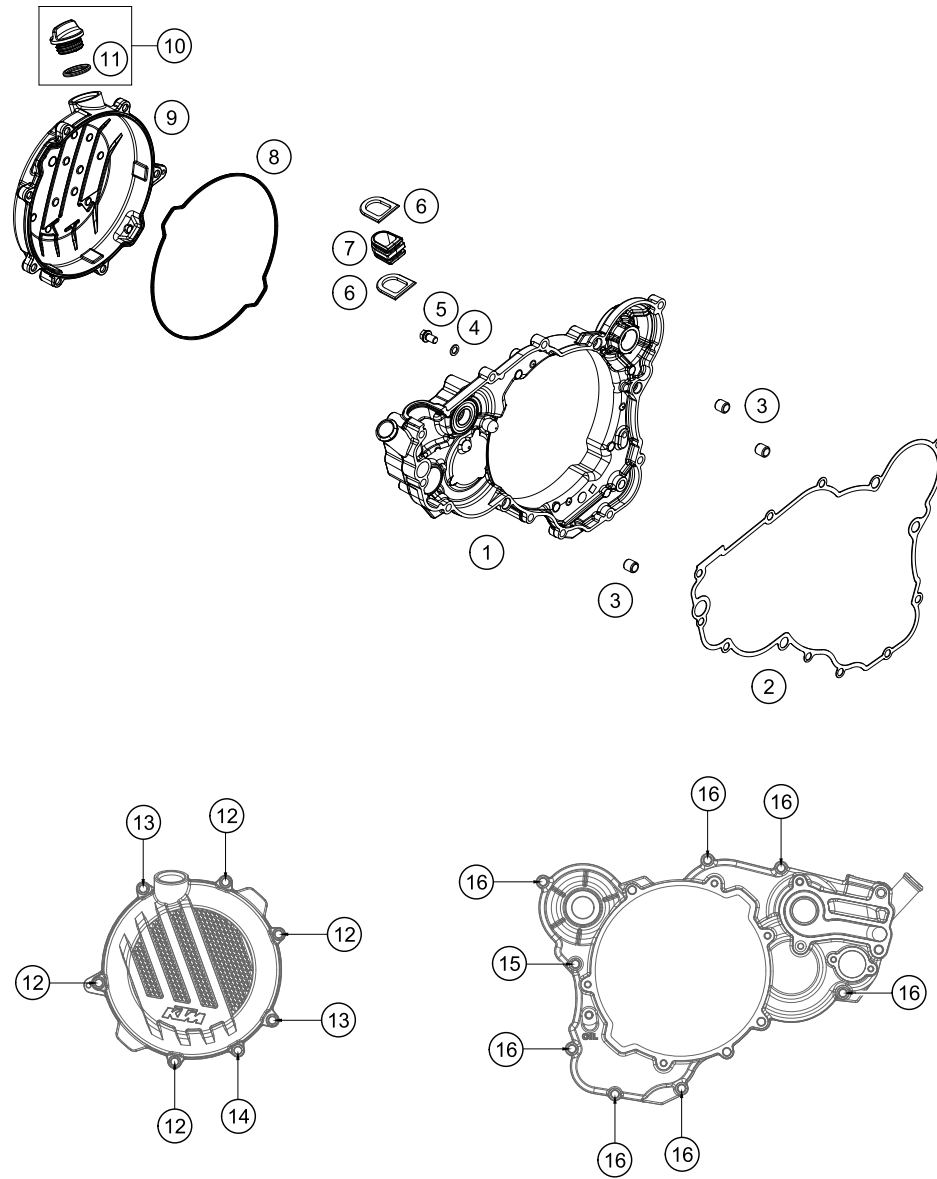
175543010

POS	PARTNUMBER	PARTNAME	PIECE
1	55430000044	ENGINECASE CPL.	1
2	75030010100	CASE BUSH	2
3	54830027000	DOWEL 21X12 03	1
4	54630027000	DOWEL BUSHING 13,8X11X12	1
5	79433053050	CAROBRONZE BUSH	1
6	58038022000	CU-SEAL RING DIN7603-12X18X1,5	1
7	58030021000	OILDRAIN PLUG W.MAG. M 12X1,5	1
8	45130022000	ANGLE PIECE 50CCM LC 2001	1
9	75030085000	RETAINING PLATE F. CS BEARING	3
10	0019050121S	INT. TORX FLAT HEAD M5X12 T25	3
11	0025060456	HH COLLAR SCREW M6X45 TX30	10
12	0025060606	HH COLLAR SCREW M6X60 TX30	4
13	55430039000	ENGINE CASE GASKET	1
14	0472042175	CIRCLIP DIN0472-42X1,75	1
15	55430059000	FUSE RING JV 27	1
99	55430199000	GASKET SET 250 EXC/SX 17	x

C175543010

\* NEW PART

X ON DEMAND



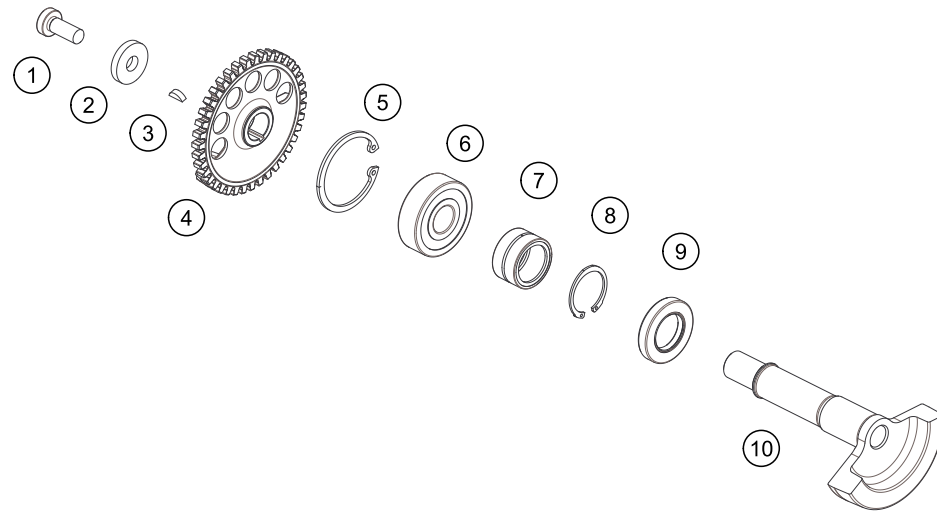
POS	PARTNUMBER	PARTNAME	PIECE
1	55430001044	INNER CLUTCH COVER CPL. 17	1
2	55430025000	CLUTCH COVER GASKET INSIDE	1
3	49030090100	DOWEL 9,8 X7X10	3
4	0603061001	CU-SEAL RING DIN7603-6X10X1	1
5	0025060106	HH COLLAR SCREW M6X10 TX30	1
6	54637107000	SEALING ELEMENT BOTTOM	2
7	54837091100	SEALING CARRIER 07	1
8	55430027000	CLUTCH COVER GASKET OUTSIDE	1
9	5543002600015	CLUTCH COVER OUTSIDE	1
10	79430020033	OIL FILLER CAP M24x3 WITH O-R	1
11	0770191015	O-RING 19,00X3,00 NBR	1
12	0025060206	HH COLLAR SCREW M6X20 TX30	4
13	0025060606	HH COLLAR SCREW M6X60 TX30	2
14	0025060556	HH COLLAR SCREW M6X55 TX30	1
15	0025060306	HH COLLAR SCREW M6X30 TX30	1
16	0025060256	HH COLLAR SCREW M6X25 TX30	7

175543020

C175543020

\* NEW PART

X ON DEMAND



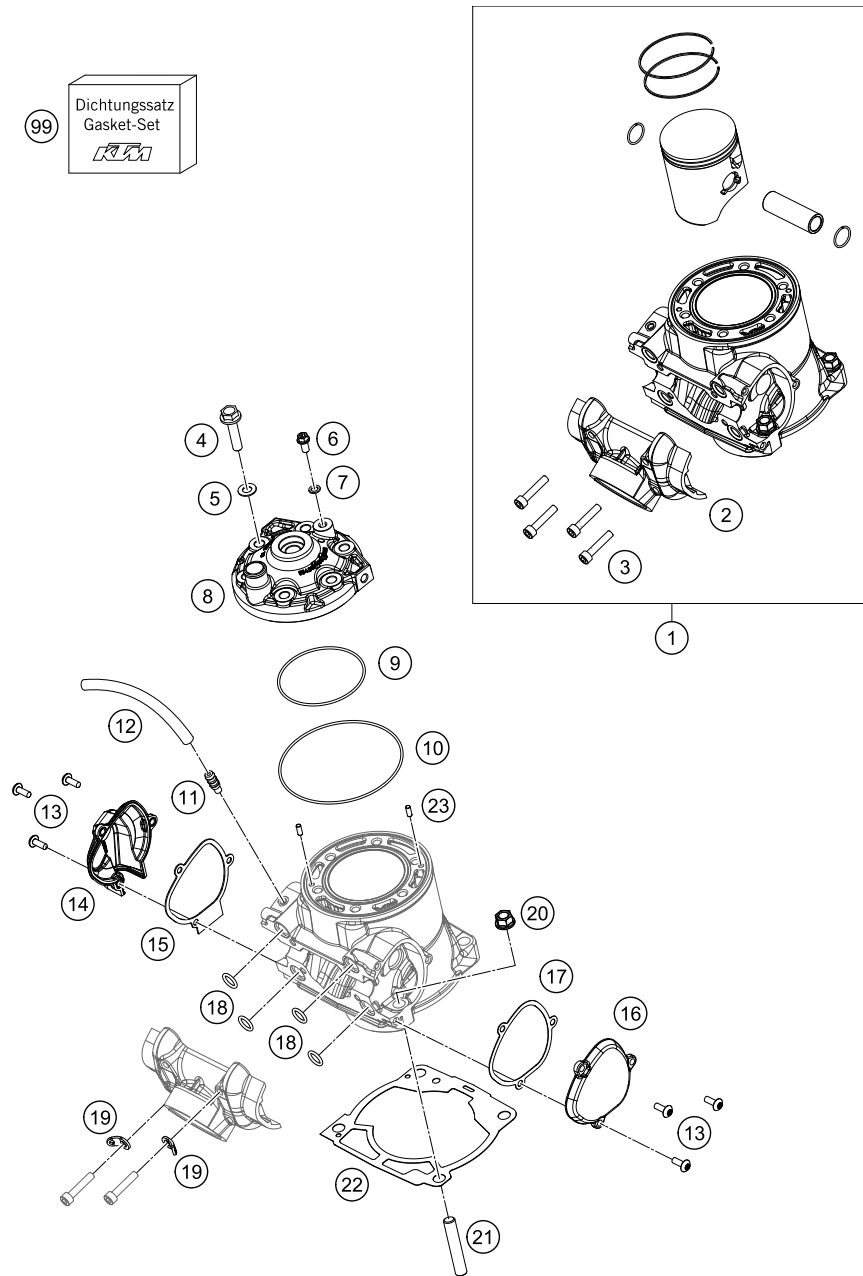
POS	PARTNUMBER	PARTNAME	PIECE
1	0035080206S	AH-COLLAR SCREW M8X20 ISA45	1
2	0340084234	WASHER DIN 6340 8,4X23X4	1
3	0888030037	WOODRUFF KEY DIN6888-3X3,7	1
4	55430056000	AGW-GEAR WHEEL	1
5	0472042175	CIRCLIP DIN0472-42X1,75	1
6	0625063022	GROOVED BALL BEARING 6302 C3	1
7	55430058000	NEEDLE BEARING NK20X16XL	1
8	55430059000	FUSE RING JV 27	1
9	47030076100	SEAL SHAFT RING 20X35X6 BTSL	1
10	55430057100	BALANCER SHAFT	1

175543030

C175543030

\* NEW PART

X ON DEMAND



175543050

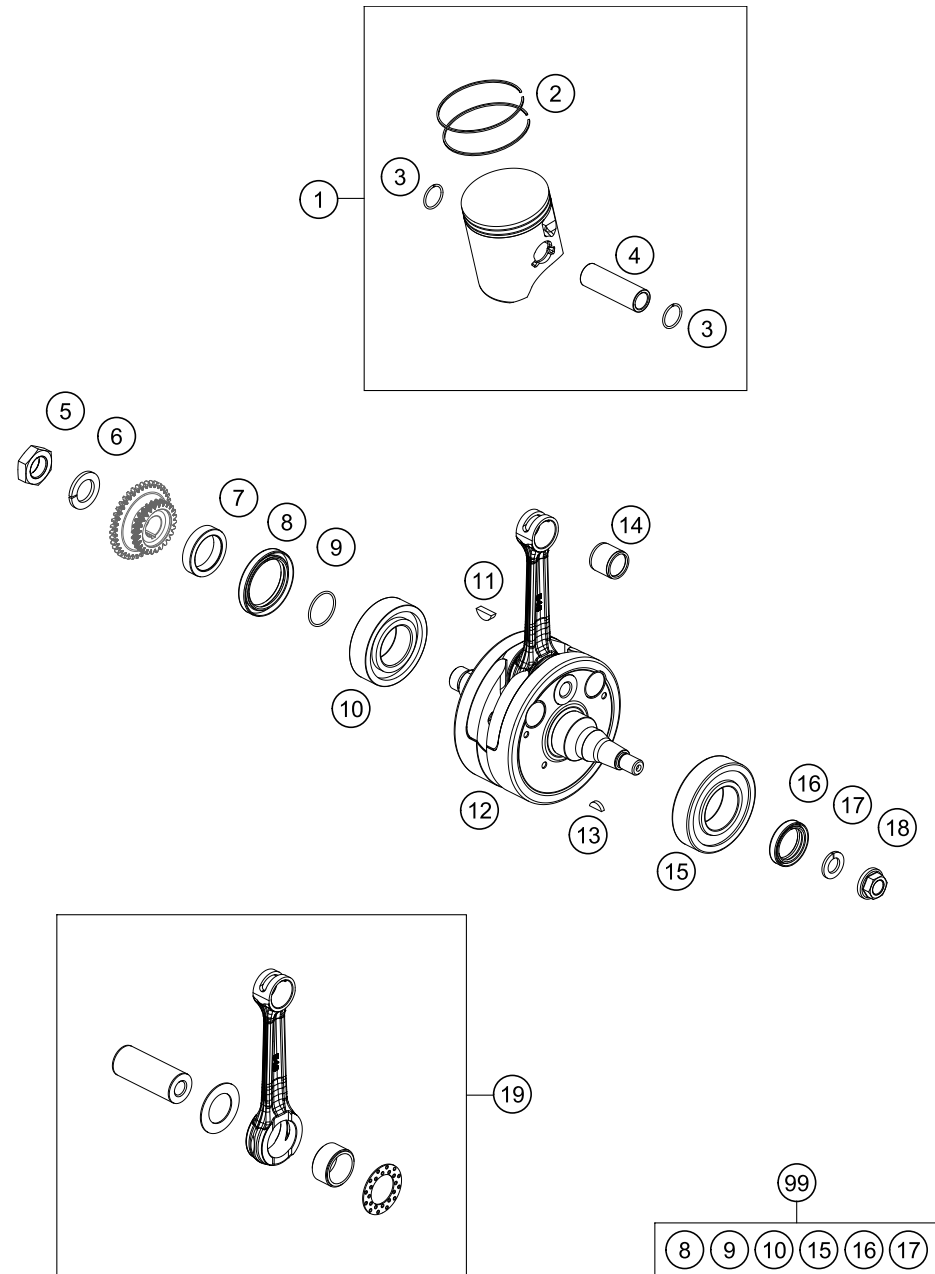
POS	PARTNUMBER	PARTNAME	PIECE
1	55430038000	CYLINDER + PISTON CPL. 17	1
2	55437001000	CONNECTION FLANGE	1
3	0912060353	AH SCREW DIN0912-M 6X35	4
4	54830079000	COLLAR SCREW M 8X35 WS=13	6
5	56530080000	CU-SEAL RING 8 X 16 X 1	6
6	0025060126	HH COLLAR SCREW M6X12 TX30	1
7	0603061001	CU-SEAL RING DIN7603-6X10X1	1
8	55430006000	CYLINDER HEAD 250 SX	1
9	0770730020	O-RING 73,00X2,00 VITON	1
10	0770105020	O-RING 105,00X2,00 07	1
11	58336020090	VACUUM CONNECTION M 6X1	1
12	50335030001	PVC-HOSE 6X9	1
13	58605083014	SCREW M5X14 TORX 25 07	6
14	5483700700015	CONTROL COVER R/S 09	1
15	54837008000	GASKET FOR CONTROL COVER R/S	1
16	5483700500015	CONTROL COVER L/S 09	1
17	54837006000	GASKET FOR CONTROL COVER L/S	1
18	0770116241	O-RING 11,3 X2,4 SILICON	4
19	51005074000	RETAINING PLATE	2
20	54630044000	COLLAR NUT M10 WS=13	4
21	0835100351S	STUD SCREW DIN0835-M10X35	4
22	55430030020	CYLINDER BASE GASKET	x
22	55430030040	CYLINDER BASE GASKET	x
22	55430030050	CYLINDER BASE GASKET	x
22	55430030075	CYLINDER FOOT GASKET	x
23	0402040980	NEEDLE ROL.DIN5402 NRB 4X9,8	2
99	55430097000	GASKET SET CYL. 250SX 17	x

C175543050

\* NEW PART

X ON DEMAND





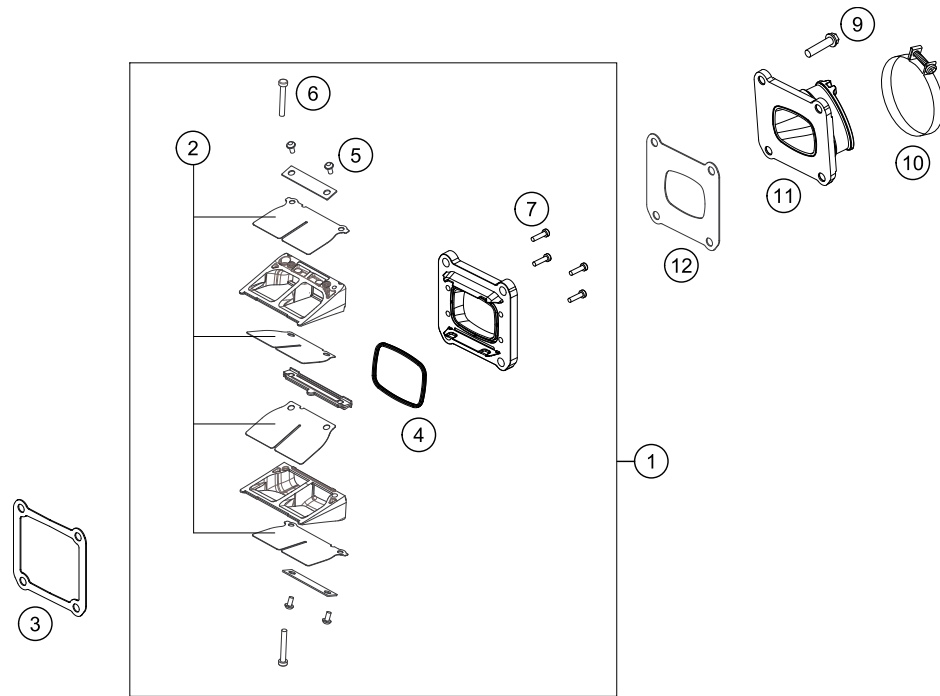
POS	PARTNUMBER	PARTNAME	PIECE
1	54830007300 I	PISTON I 250 2011	1
1	54830007300 II	PISTON II 250 2011	1
2	54830232000	TRAPEZOID RING 250 66,4 MM	2
3	54030074000	WIRE LOCK RING C18X1,5	2
4	54830233000	PISTON PIN	1
5	54630029000	HEX.NUT L/SH M18X1,5	1
6	58132072000	LOCK WASHER VSK 18	1
7	55430016000	DISTANCE SLEEVE	1
8	0760385273	SHAFT SEAL RING 38X52X7BTSL	1
9	0770250015	O-RING 25,00X1,50 NBR 70	1
10	0625623204	BALL BEARING 32X65X17 NTN	1
11	6946005	WOODRUFF KEY 5X6,5 HARDED	1
12	55430018100	CRANKSHAFT SX	1
13	0888030050	WOODRUFF KEY DIN6888-3X5X13	1
14	54430034000	NEEDLE BEARING KBK 18X22X20	1
15	56530123200	CYLIND.ROL.BEAR. NJ207ET2XCS42	1
16	0760253570	SHAFT SEAL RING 25X35X7 BTSL	1
17	50230029012	LOCKING RING VSK 12	1
18	49030021000	COLLAR NUT M12X1 R/S	1
19	54830015244	CON.ROD REP.SET 250/300	x
99	00050002301	CRANKSHAF REP. KIT 250-300	x

175543060

C175543060

\* NEW PART

X ON DEMAND



POS	PARTNUMBER	PARTNAME	PIECE
1	50430151044	REED VALVE CASE CPL.	1
2	54830052344	REED VALVE SET	1
3	50430098050	GASKET REED VALVE CASE	1
4	54830153050	GASKET SUPPORTING PLATE	1
5	00810300553	EJOT DELTA PT SCREW 30X5,5	4
6	0081035253	EJOT DELTA PT SCREW 35X25	2
7	0081030124	EJOT DELTA PT SCREW 30X12	4
9	0025060256	HH COLLAR SCREW M6X25 TX30	4
10	54830061000	CLAMP 54/09 MIXED	1
11	55430050100	INTAKE FLANGE	1
12	50430098060	GASKET INTAKE FLANGE	1

165043070

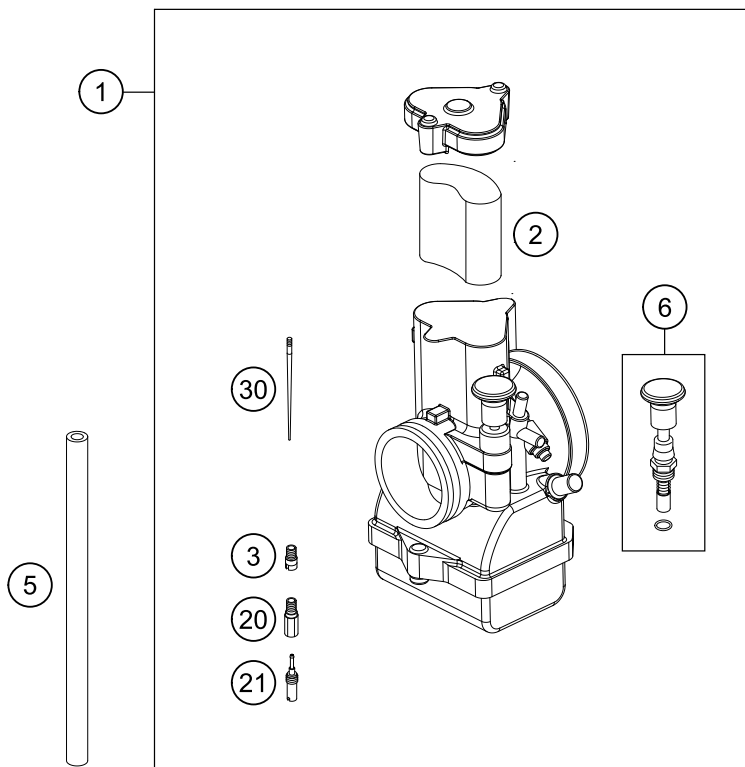
C175543070

\* NEW PART

X ON DEMAND

**ACHTUNG !!!**  
 Vor dem Einbau des Vergasers, Bedüsung kontrollieren.

**CAUTION !!!**  
 Before mounting the carburetor, check the jetting.



175543110

POS	PARTNUMBER	PARTNAME	PIECE
1	50431101044	CARBURETOR MIKUNI VM38	1
2	55431035040	THROTTLE SLIDE "4.0"	1
3	55431051050	STARTING JET "50"	X
3	55431051080	STARTING JET "80"	X
5	31007007101	PVC-HOSE 4X6MM	X
6	55431245000	START PISTON CPL.	1
20	55431029100	MAIN JET "100"	X
20	55431029155	MAIN JET "155"	X
20	55431029400	MAIN JET "400"	X
20	55431029410	MAIN JET "410"	X
20	55431029420	MAIN JET "420"	X
20	55431029430	MAIN JET "430"	X
20	55431029440	MAIN JET "440"	X
20	55431029450	MAIN JET "450"	X
20	55431029460	MAIN JET "460"	X
20	55431029470	MAIN JET "470"	X
20	55431029480	MAIN JET "480"	X
20	55431029490	MAIN JET "490"	X
20	55431029500	MAIN JET "500"	X
20	55431029520	MAIN JET "520"	X
20	55431029540	MAIN JET "540"	X
20	55431029560	MAIN JET "560"	X
20	55431029580	MAIN JET "580"	X
20	55431029600	MAIN JET "600"	X
21	55431007150	IDLING JET "15"	X
21	55431007175	IDLING JET "17.5"	X
21	55431007300	IDLING JET "30"	X
21	55431007325	IDLING JET "32.5"	X
21	55431007350	IDLING JET "35"	X
21	55431007375	IDLING JET "37.5"	X
21	55431007400	IDLING JET "40"	X
21	55431007425	IDLING JET "42.5"	X
21	55431007450	IDLING JET "45"	X
21	55431007475	IDLING JET "47.5"	X
21	55431007500	IDLING JET "50"	X
21	55431007525	IDLING JET "52.5"	X
30	55431934000	JET NEEDLE "6GAY69-74"	X
30	55431034000	JET NEEDLE "6BFY42-71"	X

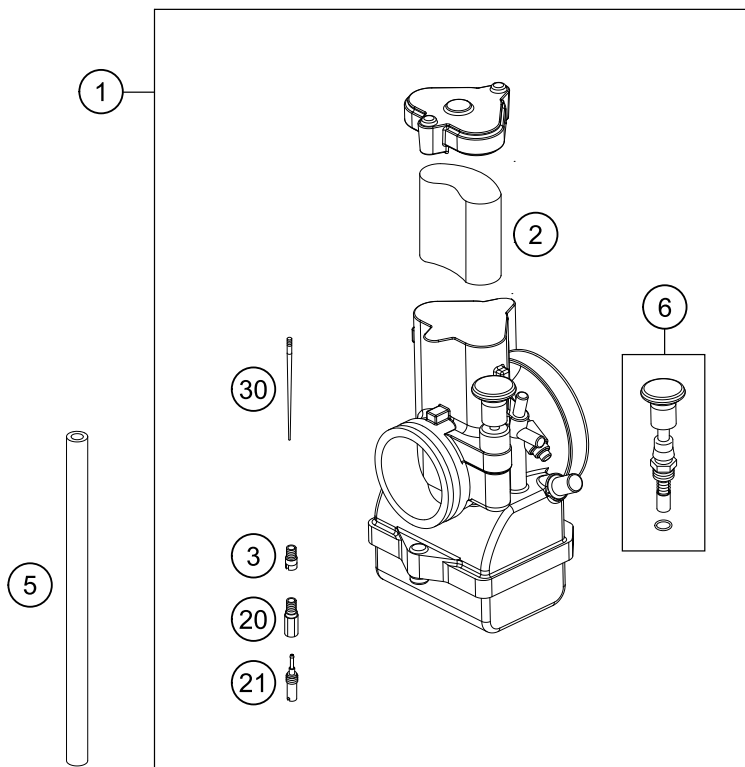
C175043110

\* NEW PART

X ON DEMAND

**ACHTUNG !!!**  
 Vor dem Einbau des Vergasers, Bedüsung kontrollieren.

**CAUTION !!!**  
 Before mounting the carburetor, check the jetting.



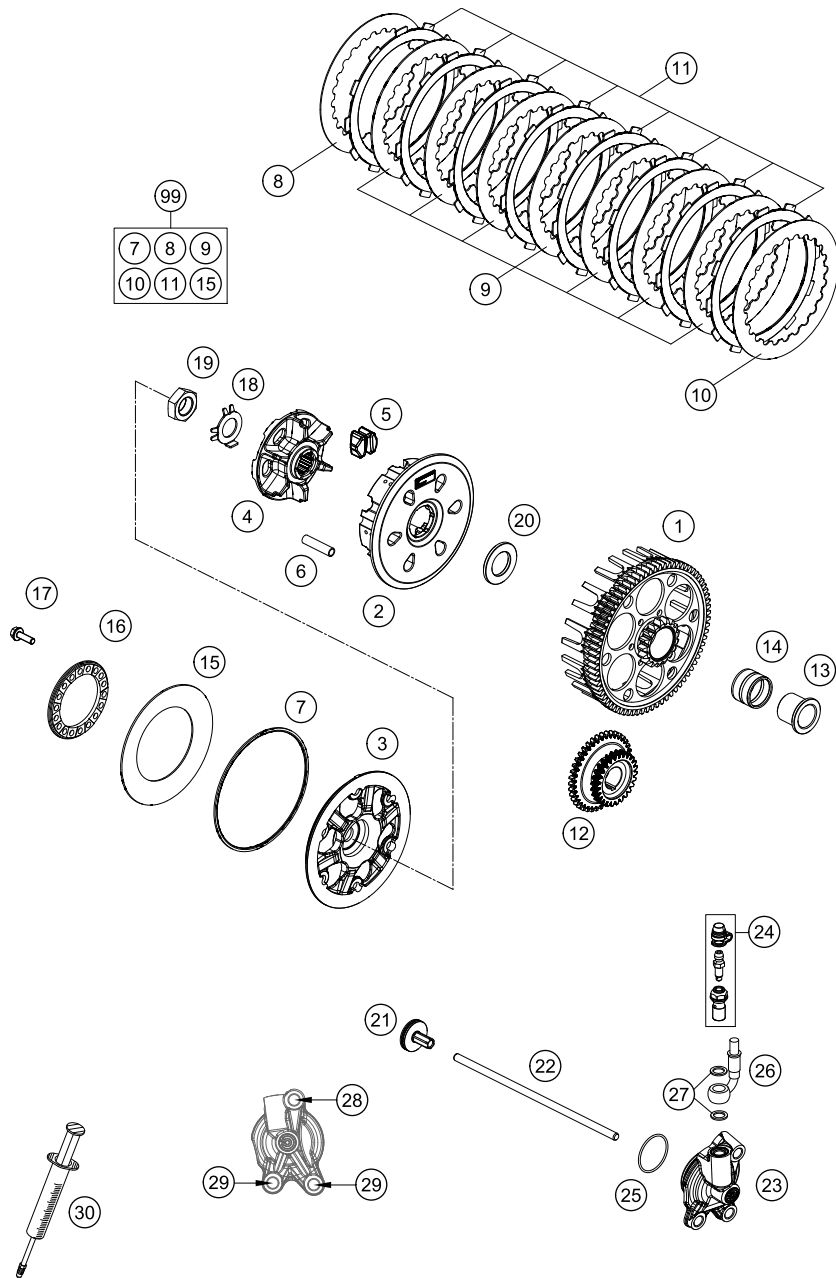
175543110

POS	PARTNUMBER	PARTNAME	PIECE
30	55431034100	JET NEEDLE "6BFY42-72"	X
30	55431034200	JET NEEDLE "6BFY42-73"	X
30	55431034300	JET NEEDLE "6BFY42-74"	X
30	55431034400	JET NEEDLE "6BFY42-75"	X
30	55431034500	JET NEEDLE "6BFY42-76"	X
30	55431134000	JET NEEDLE "6BFY43-71"	X
30	55431134100	JET NEEDLE "6BFY43-72"	X
30	55431134200	JET NEEDLE "6BFY43-73"	X
30	55431134300	JET NEEDLE "6BFY43-74"	X
30	55431134400	JET NEEDLE "6BFY43-75"	X
30	55431134500	JET NEEDLE "6BFY43-76"	X
30	55431234000	JET NEEDLE "6BFY44-71"	X
30	55431234100	JET NEEDLE "6BFY44-72"	X
30	55431234200	JET NEEDLE "6BFY44-73"	X
30	55431234300	JET NEEDLE "6BFY44-74"	X
30	55431234400	JET NEEDLE "6BFY44-75"	X
30	55431234500	JET NEEDLE "6BFY44-76"	X

C175043110

\* NEW PART

X ON DEMAND



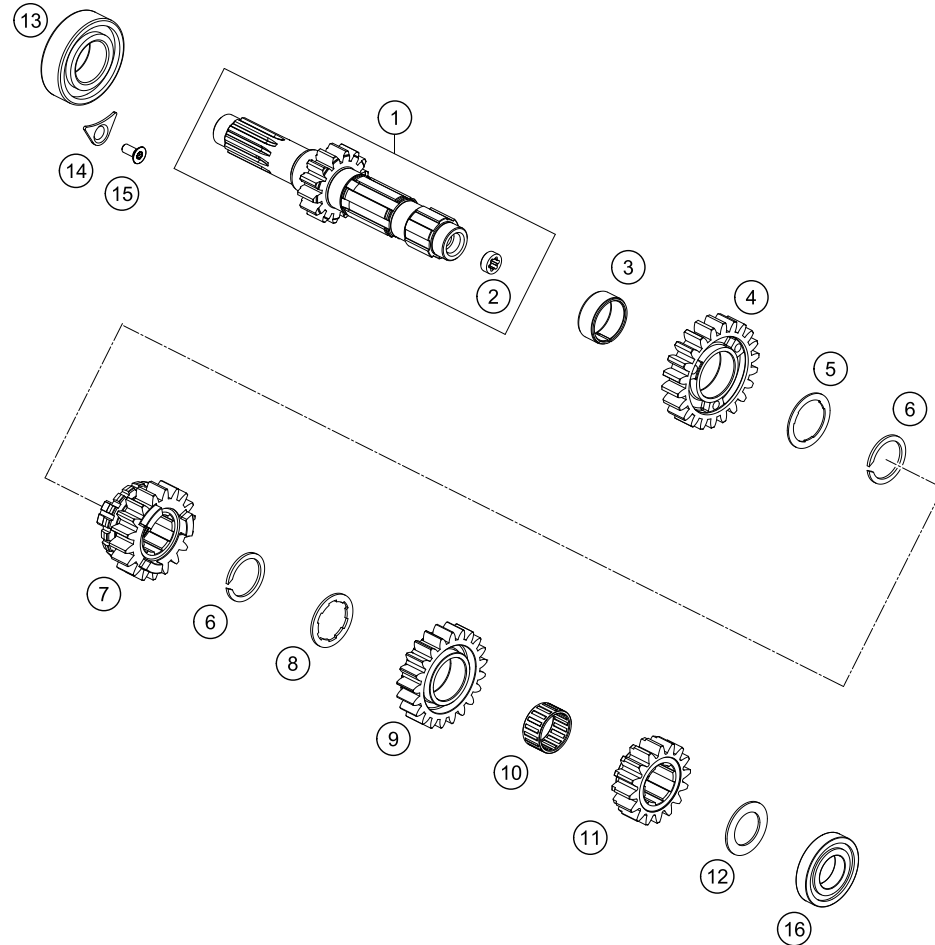
POS	PARTNUMBER	PARTNAME	PIECE
1	79232101073	OUTER CLUTCH HUB EXC	1
2	78132002300	CLUTCH HUB	1
3	79432003000	CLUTCH PRESSURE CAP	1
4	78132002111	HUB	1
5	78132025100	DAMPING RUBBER	6
6	77232004000	DRIVING SLEEVE D=7,95 L=38	6
7	78132013000	WASHER 112X118X1.5	1
8	59032010100	INTERMEDIATE DISC 1MM 2002	1
9	59032010200	INTERMEDIATE DISC 1,4MM 2002	7
10	78932010000	INTERMEDIATE DISC 1MM	1
11	54832011100	LINING DISC 1,95 MM	8
12	55432024026	PRIMARY GEAR	1
13	77232015000	INNER RING	1
14	56532095000	NEEDLE BEARING K26X30X22ZW.KSE	1
15	78132005000	BELLEVILLE SPRING 71X115X1,5 I	1
16	78132006100	SPRING RING	1
17	0025050166	HH COLLAR SCREW M5X16 TX30	6
18	78132018000	TAB WASHER	1
19	0936181505	HEXAGON NUT DIN0936-M18X1,5 R.	1
20	77232009000	WASHER 21,8 X 37 X 5,1	1
21	78032057044	PRESSURE PIECE CPL. 08	1
22	79232054000	PUSH ROD	1
23	79232061044	OUTPUT CYLINDER CPL.	1
24	79032064000	BLEEDER SCREW CPL.	1
25	0770300015	O-RING 30,00X1,50 NBR 70	1
26	79232063000	CLUTCH PIPE	1
27	0603080161	COPPERT GASKET 8x16x1	2
28	0025060256	HH COLLAR SCREW M6X25 TX30	1
29	0025060166	HH COLLAR SCREW M6X16 TX30	2
30	50329050000	VENT INJEKTION HYDR. CLUTCH	1
99	54832011110	CLUTCH KIT 250/300 13-15	x

175543210

C175543210

\* NEW PART

X ON DEMAND



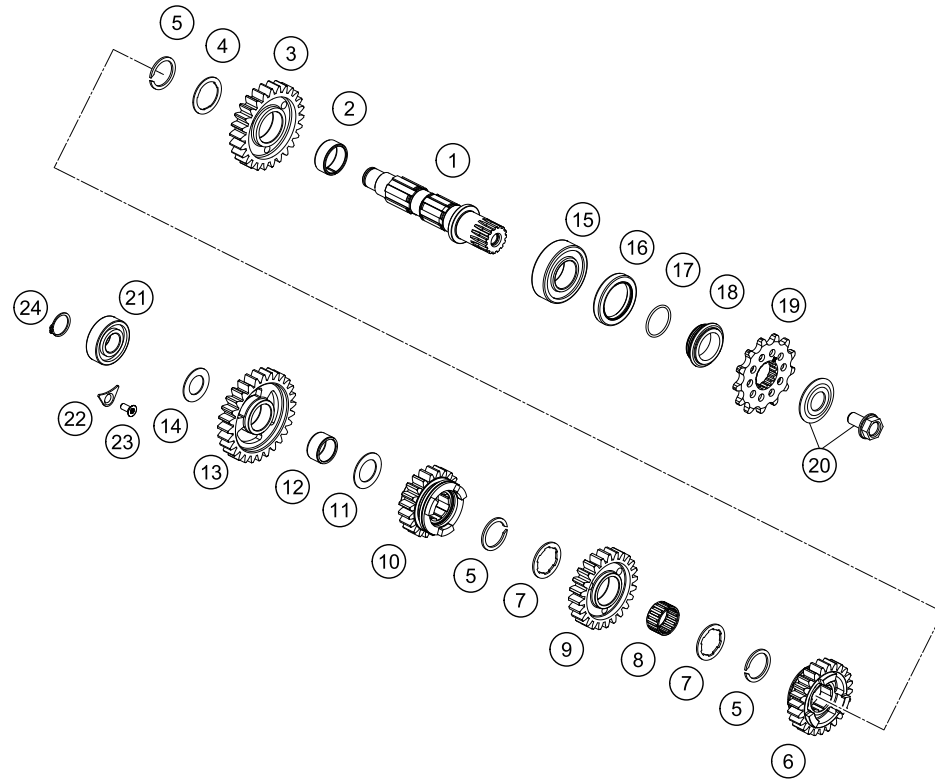
POS	PARTNUMBER	PARTNAME	PIECE
1	77233001100	MAIN SHAFT CPL.	1
2	78033001110	BUSHING	1
3	0405242812	NEEDLE BEAR. K24X28X11,9 DIV.	1
4	54833005000	IDLER GEAR 5TH G. 22-T "5S22"	1
5	50333043000	STOP DISC 25,2X32X1	1
6	77033022000	AXIAL-CIRCLIP 25X1,65	2
7	79233003000	SLIDING GEAR 3RD G 18Z	1
8	59033030000	STOP DISC 25,2X32X1,5	1
9	54833004000	IDLER GEAR 4TH G. 21-T "4S21"	1
10	0405222613	NEEDLE BEAR. K 22X26X13 TN	1
11	54833002100	SOLID GEAR 2ND G. 16-T "2S16"	1
12	77233015000	DISK 20,2X32X1,3	1
13	0625062054	BALL BEARING 6205 C3 NTN	1
14	75030085000	RETAINING PLATE F. CS BEARING	1
15	0019050121S	INT. TORX FLAT HEAD M5X12 T25	1
16	0625160040	GROOVED BALL BEAR. TM 16004 C3	1

175543330

C175543330

\* NEW PART

X ON DEMAND



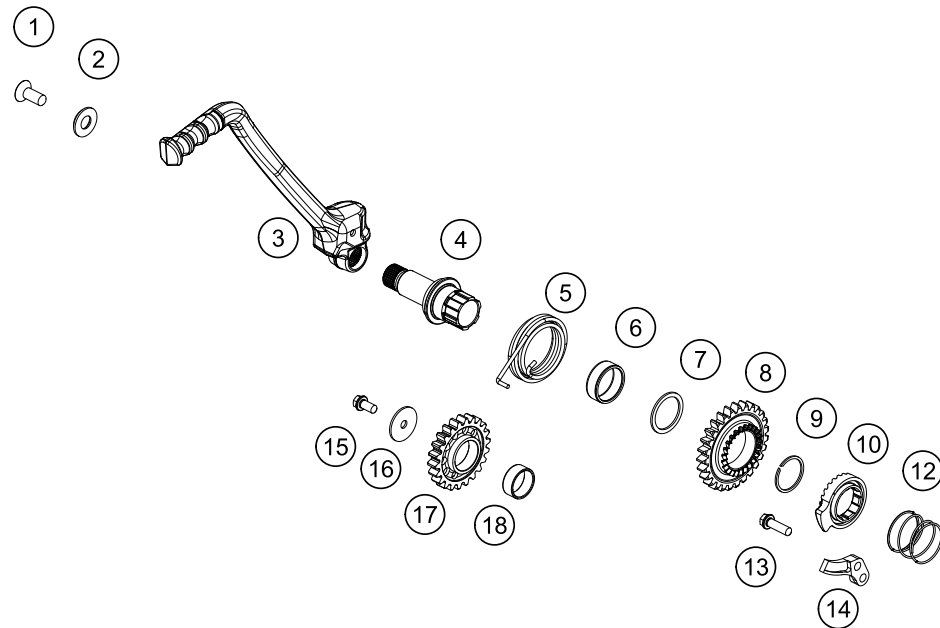
POS	PARTNUMBER	PARTNAME	PIECE
1	77233010000	COUNTERSHAFT	1
2	0405242812	NEEDLE BEAR. K24X28X11,9 DIV.	1
3	54833012100	IDLER GEAR 2ND G. 26-T "2S26"	1
4	50333043000	STOP DISC 25,2X32X1	1
5	77033022000	AXIAL-CIRCLIP 25X1,65	3
6	54833014000	SLIDING GEAR 4TH G.24-T "4S24"	1
7	59033030000	STOP DISC 25,2X32X1,5	2
8	0405222613	NEEDLE BEAR. K 22X26X13 TN	1
9	54833013000	IDLER GEAR 3RD G. 24-T "3S24"	1
10	54833015000	SLIDING GEAR 5TH G.21-T "5S21"	1
11	59033080000	SHIM 20X32X1	1
12	0405202413	NEEDLE BEAR. K20X24X13	1
13	54833011100	IDLER GEAR 1.G 28Z	1
14	56033030000	STOP DISC 17,2X30X1	1
15	49030023000	CYL.ROLL BEARING NJ205	1
16	0760324571	SHAFT SEAL RING 32X45X7 BSLNBR	1
17	0770020220	O-RING 25,12X1,78 NBR70	1
18	78133014000	SPACER SLEEVE COUNTER	1
19	79233029014	SPROCKET 14T	1
19	79233029013	SPROCKET 13T	X
20	59033034044	SCREW 10.9+SPRING WASHER	1
21	0625062035	BALL BEARING 6203 JR2 C3	1
22	75030085000	RETAINING PLATE F. CS BEARING	1
23	0019050121S	INT. TORX FLAT HEAD M5X12 T25	1
24	0471170015	CIRCLIP DIN 0471-17X1, 5	1

167923360

C175543360

\* NEW PART

X ON DEMAND



POS	PARTNUMBER	PARTNAME	PIECE
1	0019080206S	FLAT HEAD SCREW M. ISA45 M8X20	1
2	54633037000	WASHER 8MM GALVANIZED	1
3	79233070044	KICK STARTER CPL.	1
4	79233050000	KICK STARTER SHAFT	1
5	50433054100	KICK STARTER SPRING	1
6	0405252910	NEEDLE BEAR K 25X29X10	1
7	54833044000	STOP DISC 25X31X1,5	1
8	79233051027	KICK STARTER WHEEL 27Z	1
9	0417025000	CIRCLIP SW25	1
10	50433052000	KICK STARTER RATCHET	1
12	58033028000	RATCHET GEAR SPRING 1,2 MM	1
13	0025060206	HH COLLAR SCREW M6X20 TX30	2
14	59033069000	BUMP PART	1
15	0025060126	HH COLLAR SCREW M6X12 TX30	1
16	79240017000	STOP DISC 6X26X1,5	1
17	79233053022	KICK STARTER IDLER 22Z	1
18	79433053050	CAROBRONZE BUSH	1

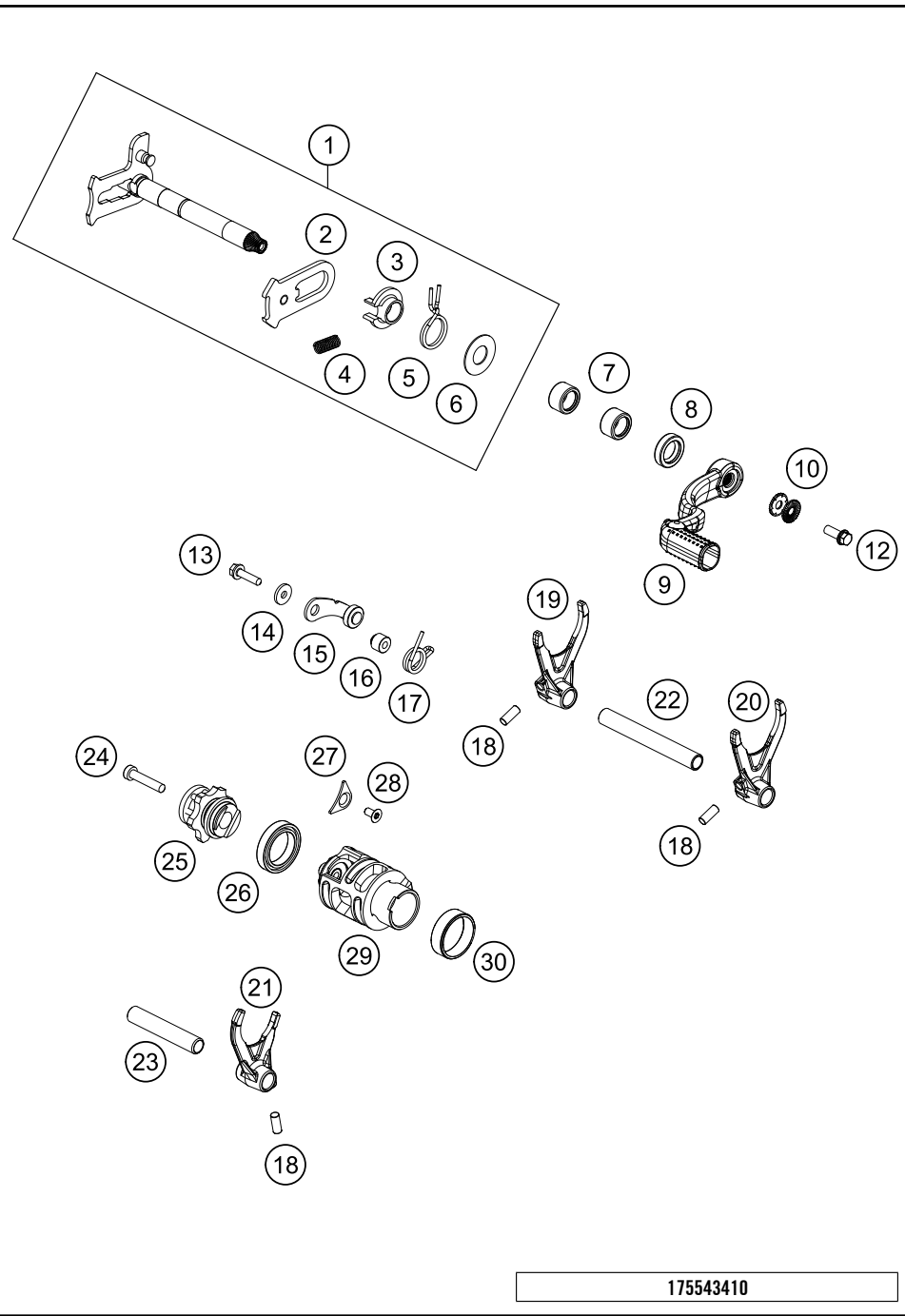
175543390

C175543390

\* NEW PART

X ON DEMAND





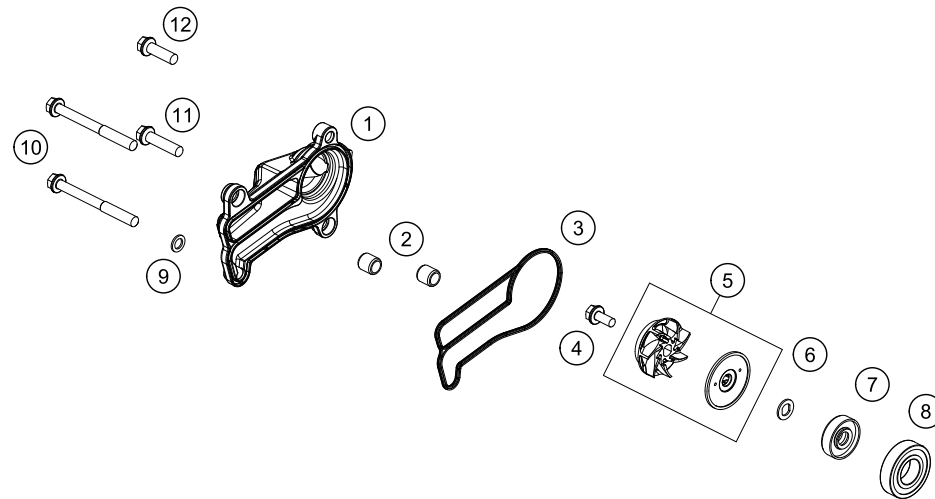
POS	PARTNUMBER	PARTNAME	PIECE
1	55434005133	SHIFT SHAFT CPL.	1
2	79234008144	SLIDING PLATE CPL.	1
3	54634020000	SPRING GUIDE	1
4	56534013100	TENSIONING SPRING 0,8MM	1
5	54834014000	RETURN SPRING 03	1
6	54634050000	STOP DISK 14X30X1	1
7	54632095000	NEEDLE BEAR.HK 1412 14X20X12	2
8	0760142460	SHAFT SEAL RING 14X24X6 B	1
9	55434031000	SHIFTING SHAFT CPL.	1
10	50233041500	PAIR NORDLOCK WASHER M6	1
12	0024060156S	HH COLLAR SCREW M6X15 TORX30	1
13	0025050206	HH COLLAR SCREW M5X20 TX30	1
14	0349000050	WASHER DIN7349-5X15X2	1
15	55434024000	LOCKING LEVER CPL.	1
16	54634052300	SLEEVE FOR LOCKING LEVER	1
17	55434023100	LOCKING LEVER SPRING	1
18	0402061480	NEEDLE ROLLER DIN5402 6X14,8	3
19	79234003000	SHIFTING FORK 1ST/3RD GEAR	1
20	79234002000	SHIFTING FORK 2ND GEAR	1
21	79234001000	SHIFTING FORK 4TH/5TH GEAR	1
22	77034019000	SHIFTING MAIN L=93MM 05	1
23	54834019000	SHIFT. RAIL MAIN SHAFT 250/300	1
24	0984060302	AH SCREW DIN6912 M 6X30	1
25	55434015000	GEARSHIFT CPL.	1
26	0625618050	BALL BEARING 61805 C3	1
27	75030085000	RETAINING PLATE F. CS BEARING	1
28	0019050106S	INT. TORX FLAT HEAD M5X10 10.9	1
29	79234012000	SHIFT ROLLER 5G	1
30	79234012010	FRICTION BEARING CONTROLLER	1

175543410

C175543410

\* NEW PART

X ON DEMAND



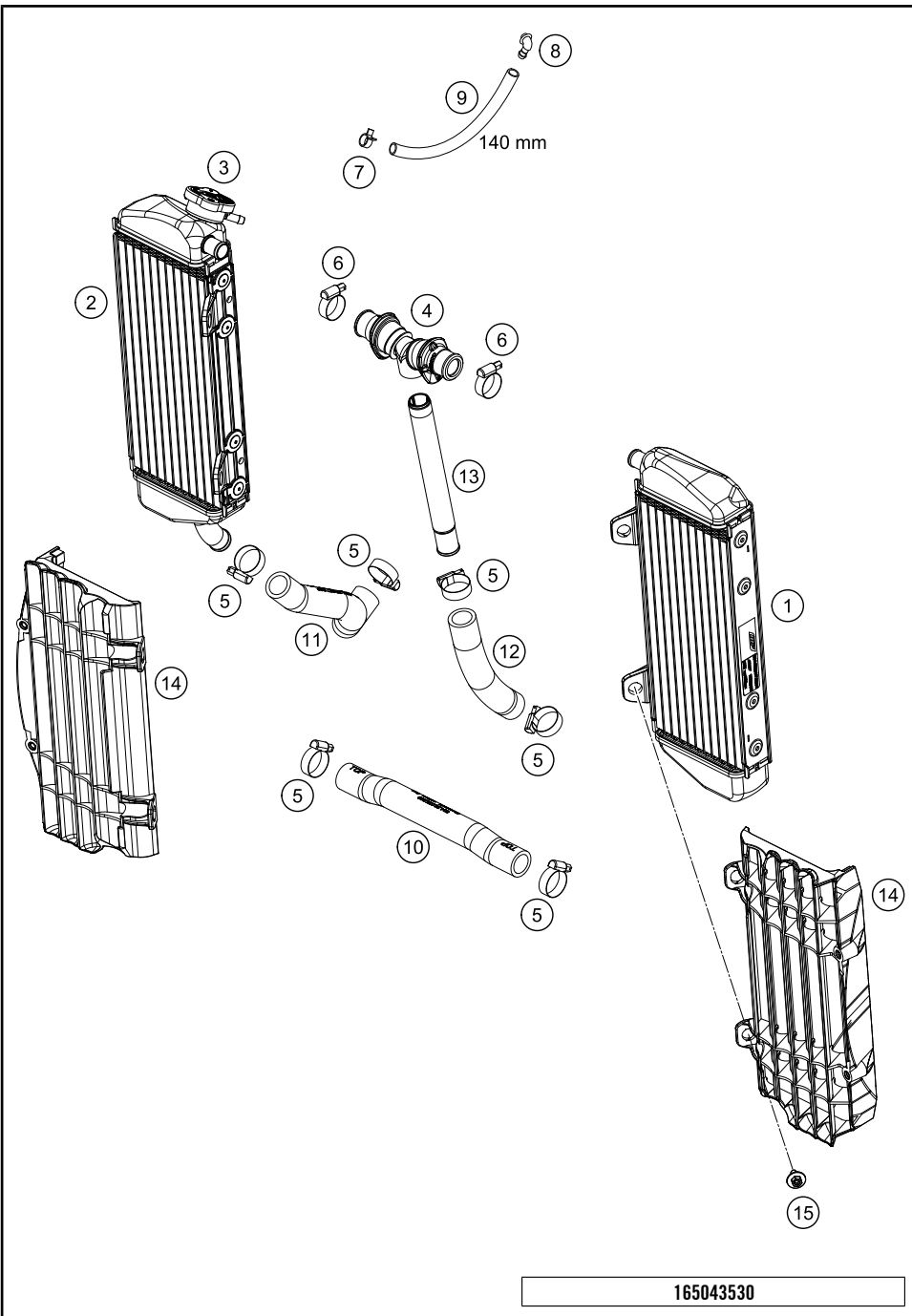
POS	PARTNUMBER	PARTNAME	PIECE
1	55435052000	WATER PUMP COVER	1
2	49030090100	DOWEL 9,8 X7X10	2
3	55435053000	GASKET WATER PUMP COVER	1
4	0014050123	HH COLLAR SCREW M 5X12 WS=6	1
5	79235055044	WATER PUMP WHEEL CPL.	1
6	50435049000	PREFORMED WASHER	1
7	0760082472	SHAFT SEAL RING 8X24X7 A DUO	1
8	0625160020	BALL BEARING 16002 C3	1
9	0603061001	CU-SEAL RING DIN7603-6X10X1	1

175543510

C175543510

\* NEW PART

X ON DEMAND

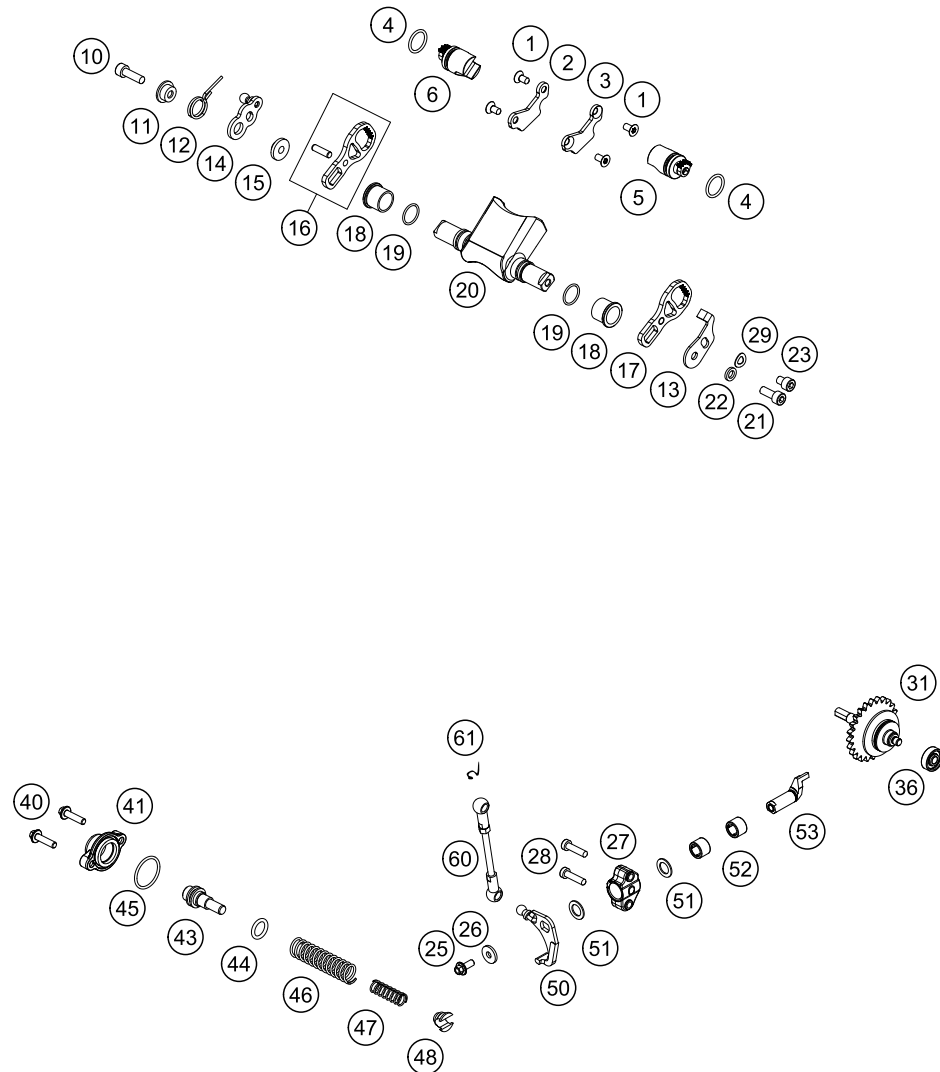


POS	PARTNUMBER	PARTNAME	PIECE
1	50435007100	RADIATOR LEFT 17	1
2	50435008100	RADIATOR RIGHT 17	1
3	79035016000	RADIATOR CAP 1,8 BAR	1
4	79035071044	Y-PIECE CPL.	1
5	10001020000	HOSE CLAMP GEMI 18-29	6
6	42013037400	HOSE CLAMP NORMA 14/24	2
7	59007017000	CLAMP YDNAC 10096F (9,6MM)	1
8	50303089000	ANGLE PIECE '97	1
9	50335030001	PVC-HOSE 6X9	x
10	56535025001	RADIATOR HOSE 18X25 PER METRE	1
11	55435024000	HOSE ENGINE Y-LINK	1
12	55435025000	RADIATOR TUBE 18X25 L=115	1
13	50435073000	COOLING WATER PIPE	1
14	7903503400030	RADIATOR PROTECT 2016	2
15	0024060123	COLLAR SCREW M6X12 TX	4

165043530

C175543530

\* NEW PART X ON DEMAND



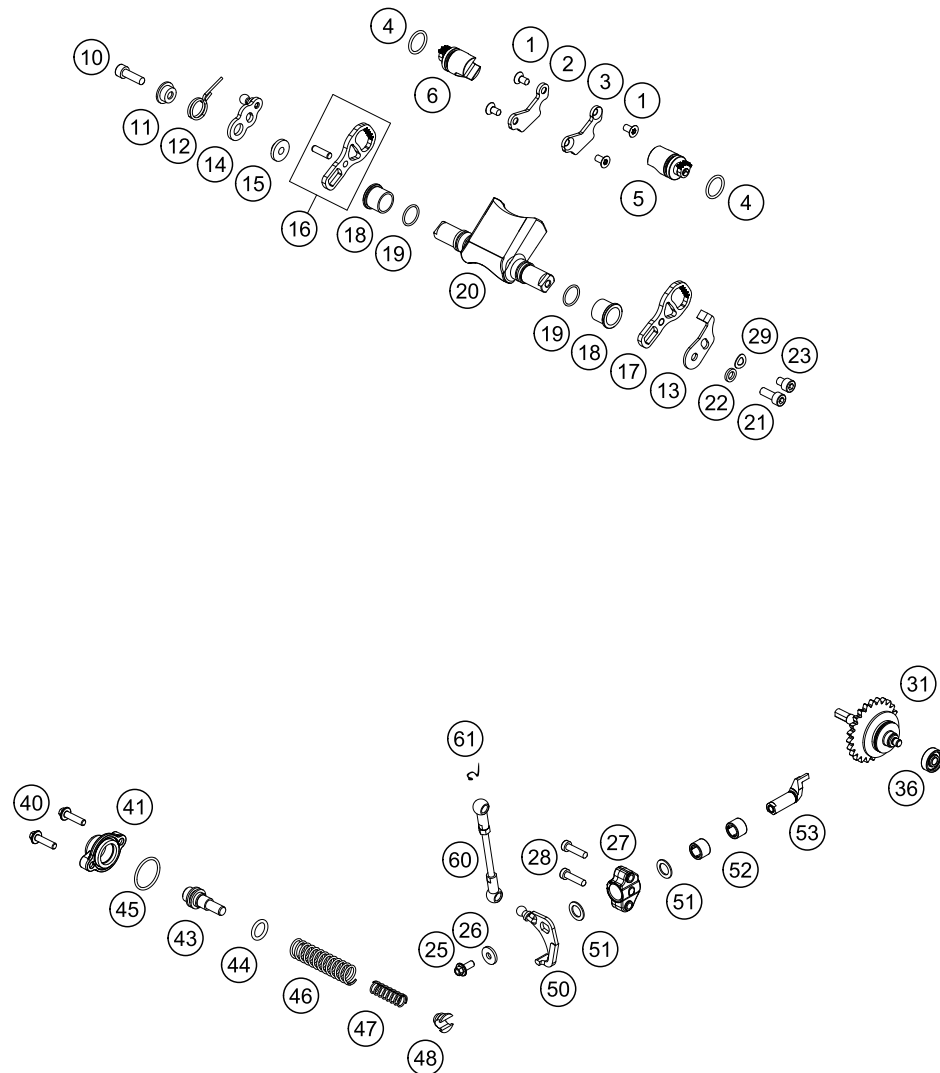
175543710

POS	PARTNUMBER	PARTNAME	PIECE
1	0019050106S	INT. TORX FLAT HEAD M5X10 10.9	4
2	54837062000	RETAINING PLATE R/S 07	1
3	54837063000	RETAINING PLATE L/S 07	1
4	0770160021	O-RING 16,00X2,00 VITON	2
5	55437061044	CONTR.VALVE 250 LEFT KPL.	1
6	55437062044	CONTR.VALVE 250 RIGHT KPL.	1
10	0912060203	AH SCREW DIN0912-M 6X20	1
11	54637067000	SPRING SLEEVE	1
12	54637066000	OVERLOAD SPRING	1
13	54637085300	RETAIN.PLATE CONTROL FLAP '92	1
14	54637065000	CONTROL LEVER WITH BALL TYPE	1
15	54637068100	BUSHING SLEEVE	1
16	54837064144	GEAR SEGMENT CPL. RIGHT 07	1
17	54837064150	GEAR SEGMENT L/S 250 07	1
18	50437023000	BEARING SLEEVE F. CONTROL FLAP	2
19	0770150151	O-RING 15,00X1,50 VITON	2
20	55437020000	CONTROL FLAP 250	1
21	0912060163	AH SCREW DIN0912-M 6X16	1
22	54637056100	WASHER 6,5X11X2	1
23	0912060083	AH SCREW DIN0912-M 6X 8	1
25	0014050123	HH COLLAR SCREW M 5X12 WS=6	1
26	0349000050	WASHER DIN7349-5X15X2	1
27	55437058000	BEARING SUPPORT	1
28	0984050202	CYL.SCREW DIN7984-M5X20	2
29	0137060003	SPRING WASHER DIN0137-B 6	x
31	55437050044	CENTRIFUGAL FORCE REGULATOR	1
36	54637098100	BALL BEARING 626LLBC3/5K	1
40	0014050203	HH COLLAR SCREW M 5X20 WS=6	2
41	54637070100	COVER LID 250-380'98	1
43	54837075000	SPRING GUIDE 250/300	1
44	0770021120	O-RING 12,37X2,62 NBR70	1
45	0770240020	O-RING 24,00X2,00 NBR70	1
46	54837069000	ADJUST. SPRING 2003	1
47	54837072000	AUXILIARY SPRING SOFT, RED	x
47	54637072300	AUXILIARY SPRING MID., YELLOW	1
47	54837072100	AUXILIARY SPRING HARD, GREEN	x
48	54637071200	SPRING INSERT	1
50	54637055244	ANGLE LEVER CPL. '91	1

C175543710

\* NEW PART

X ON DEMAND



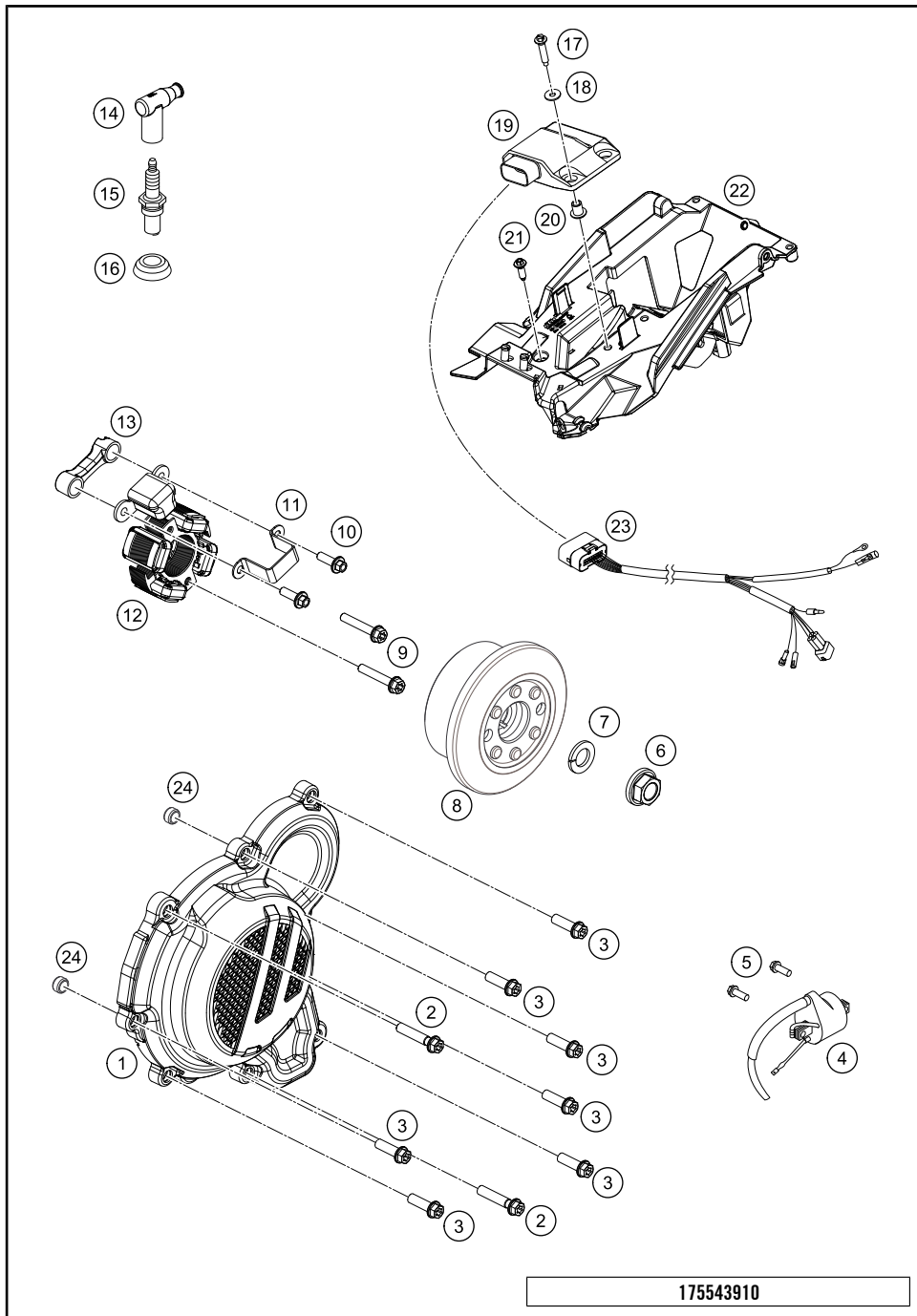
POS	PARTNUMBER	PARTNAME	PIECE
51	0988101610	SHIM WASHER DIN988 10X16X1	2
52	0618101410	NEEDLE SLEEVE HK 1010 10/14/10	2
53	55437057100	ADJUSTING LEVER 250/300	1
60	55437095044	CONNECTING ROD CPL.	1
61	50237195055	SECURING DIN-71805-S-8	1

175543710

C175543710

\* NEW PART

X ON DEMAND



POS	PARTNUMBER	PARTNAME	PIECE
1	55430002000	IGNITION COVER	1
2	0025060256	HH COLLAR SCREW M6X25 TX30	2
3	0025060206	HH COLLAR SCREW M6X20 TX30	7
4	59039006000	IGNITIONCOIL "IG5128"	1
5	0025050166	HH COLLAR SCREW M5X16 TX30	2
6	49030021000	COLLAR NUT M12X1 R/S	1
7	50230029012	LOCKING RING VSK 12	1
8	55439005100	ROTOR	1
9	0912050253	AH SCREW DIN0912-M 5X25	2
10	0014050163	HH COLLAR SCREW M 5X16 WS=6	2
11	50439004010	PICKUP BRACKET	1
12	55439004000	STATOR	1
13	50439013100	DISTANCE UNIT	1
14	47039090000	SPARK PLUG CAP NGK REINFORC.04	1
15	54331093410	SPARK PLUG NGK BR8ECM	1
16	50231012000	SEALING CUP FOR SPARK PLUG	1
17	0017060305	SPECIAL SCREW K60X30 WS=6	2
18	0021050003	WASHER DIN9021-A 5,3	2
19	55439031000	ELECTRONIC CASE 250SX 17	1
20	60308006000	COLLAR BUSHING 6,2X9,2X15X12,5	2
21	0017060206	SCREW F. PLASTIC K60X20AL SW6	1
22	79011055000	BATTERY BOX	1
23	54839032200	WIRING HARNESS FOR CDI 2-ST.07	1
24	45230024000	DOWEL 9,8X7X5.5	2

175543910

C175543910

\* NEW PART X ON DEMAND



WWW.KTM.COM



KTM Sportmotorcycle GmbH  
5230 Mattighofen, Austria  
[www.ktm.com](http://www.ktm.com)



**KTM**\_POWERPARTS

**KTM**\_POWERWEAR

**KTM**\_ORIGINAL SPARE PARTS



3CM083630QEN

Art. Nr.: 3CM083630QEN 7. Apr 2016