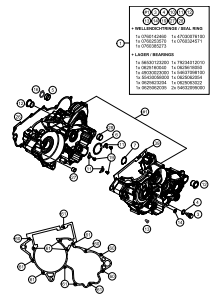
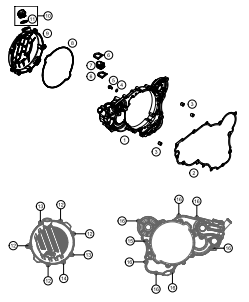
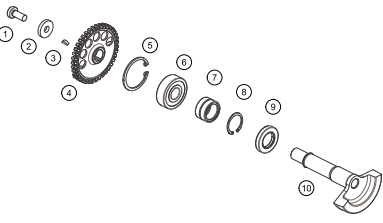
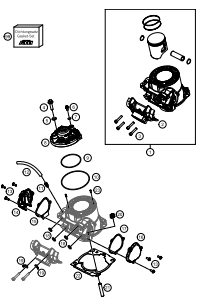
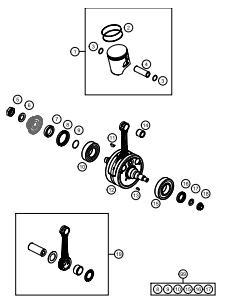
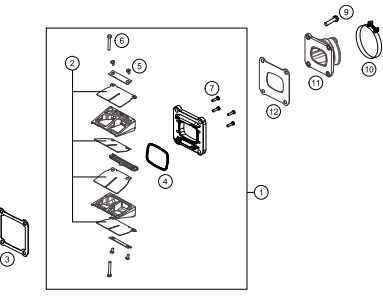
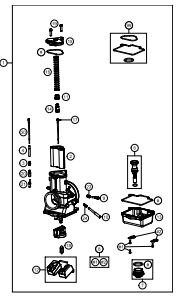
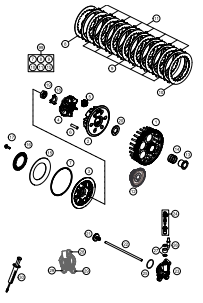
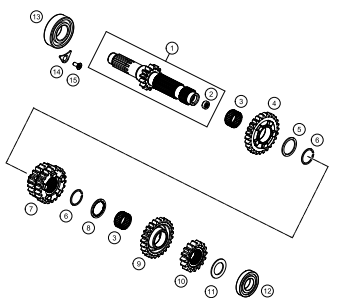
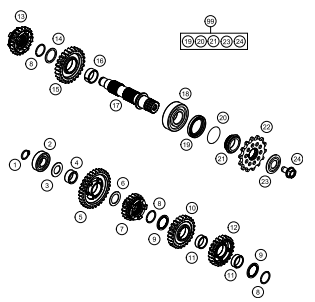
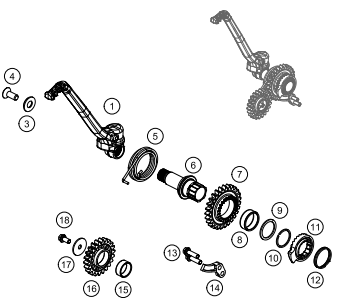
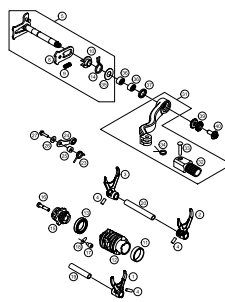
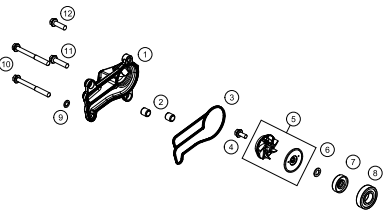
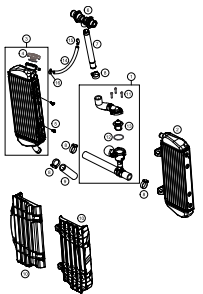
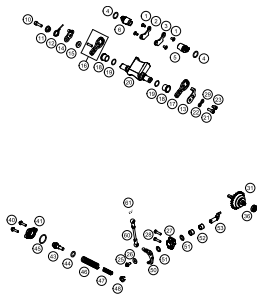
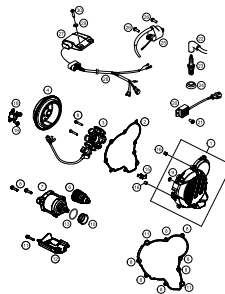



300 EXC 2017

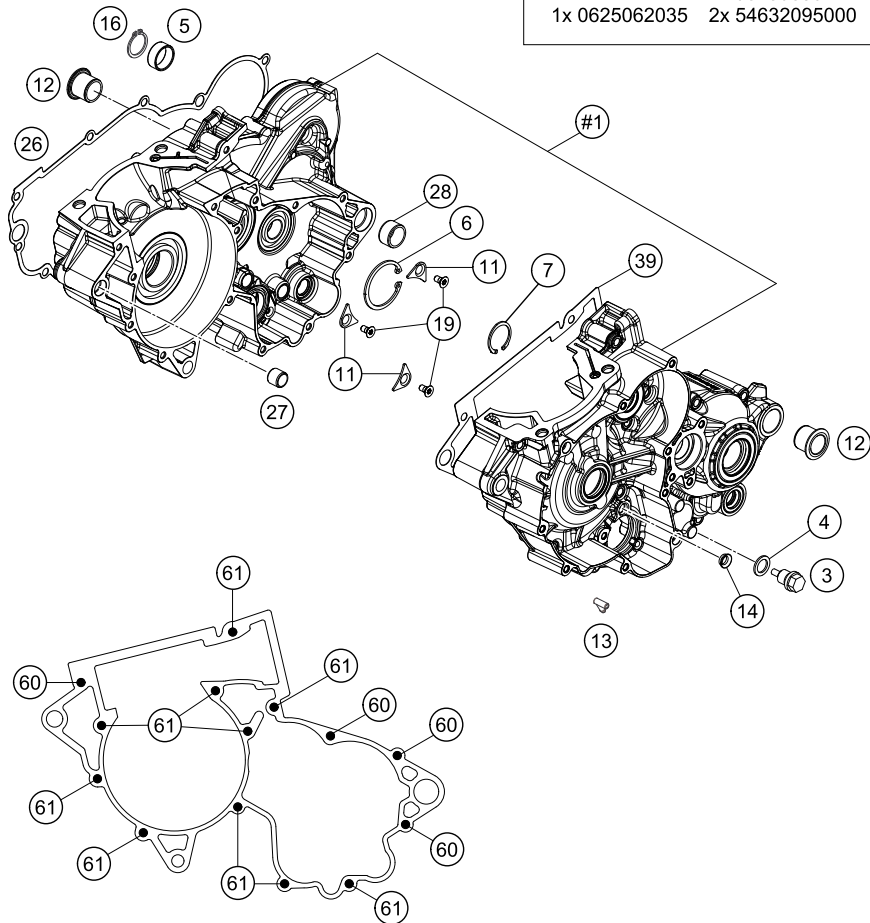
ART.-NR.: 3CM084680QEN



<p>ENGINE CASE</p>  <p>3</p>	<p>CLUTCH COVER</p>  <p>4</p>	<p>BALANCER SHAFT</p>  <p>5</p>	<p>CYLINDER, CYLINDER HEAD</p>  <p>6</p>
<p>CRANKSHAFT, PISTON</p>  <p>7</p>	<p>REED VALVE CASE</p>  <p>8</p>	<p>CARBURETTOR</p>  <p>9</p>	<p>CLUTCH</p>  <p>11</p>
<p>TRANSMISSION I - MAIN SHAFT</p>  <p>12</p>	<p>TRANSMISSION II - COUNTERSHAFT</p>  <p>13</p>	<p>KICK STARTER</p>  <p>14</p>	<p>SHIFTING MECHANISM</p>  <p>15</p>

<p>WATER PUMP</p>  <p style="text-align: right;">16</p>	<p>COOLING SYSTEM</p>  <p style="text-align: right;">17</p>	<p>EXHAUST CONTROL</p>  <p style="text-align: right;">18</p>	<p>IGNITION SYSTEM</p>  <p style="text-align: right;">20</p>
	<div style="display: flex; align-items: center;">  <p> All information contained is without obligation. KTM Sportmotorcycle GmbH particularly reserves the right to modify any equipment, technical specifications, prices, colors, shapes, materials, services, service work, constructions, equipment and the like so as to adapt them to local conditions or to cancel any of the above items, all without previous announcement and without giving reasons. KTM may stop manufacturing certain models without previous notice. KTM shall not be held liable for any deviations of availability and/or ability to deliver, illustrations, descriptions, printing and/or other errors. The illustrated models partly contain extra equipment, which is not applied to standard models. © by KTM Sportmotorcycle GmbH, Mattighofen AUSTRIA; All rights reserved; Reprint, also in extracts, with written allowance of KTM Sportmotorcycle GmbH, Mattighofen only. </p> </div>		

- | | | | | | |
|---------------------------------------|----------------|----|----|----|----|
| #1 | 3 | 4 | 10 | 11 | 12 |
| 13 | 14 | 19 | 27 | 28 | |
| + WELLENDICHTRINGE / SEAL RING | | | | | |
| 1x 0760142460 | 1x 47030076100 | | | | |
| 1x 0760253570 | 1x 0760324571 | | | | |
| 1x 0760385273 | | | | | |
| + LAGER / BEARINGS | | | | | |
| 1x 56530123200 | 1x 79234012010 | | | | |
| 1x 0625160040 | 1x 0625618050 | | | | |
| 1x 49030023000 | 1x 54637098100 | | | | |
| 1x 55430058000 | 1x 0625062054 | | | | |
| 1x 0625623204 | 1x 0625063022 | | | | |
| 1x 0625062035 | 2x 54632095000 | | | | |



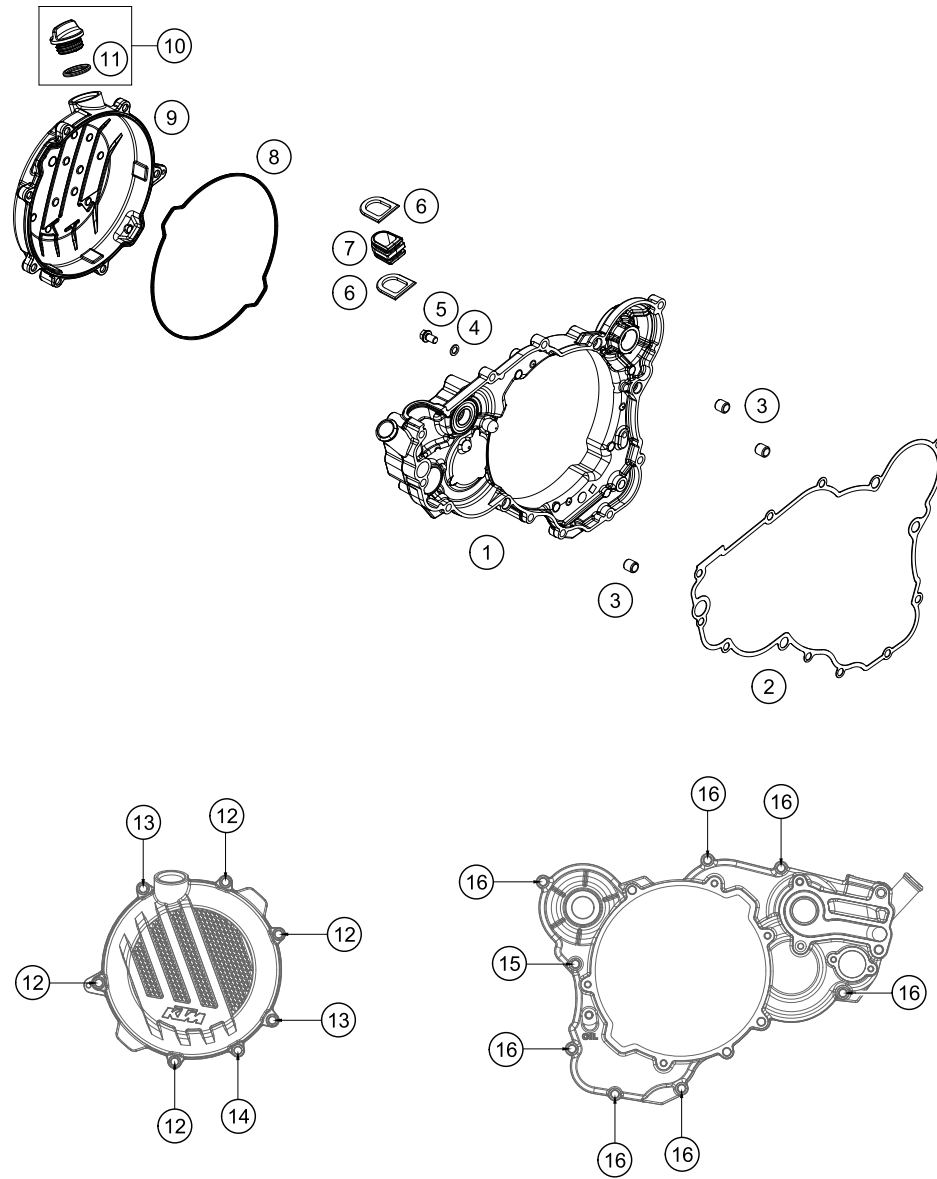
POS	PARTNUMBER	PARTNAME	PIECE
1	55430200044	ENGINE CASE CPL.	1
3	58030021000	OILDRAIN PLUG W.MAG. M 12X1,5	1
4	58038022000	CU-SEAL RING DIN7603-12X18X1,5	1
5	79433053050	CAROBRONZE BUSH	1
6	0472042175	CIRCLIP DIN0472-42X1,75	1
7	55430059100	CIRCLIP DIN0472-28X1,2	1
11	75030085000	RETAINING PLATE F. CS BEARING	3
12	75030010100	CASE BUSH	2
13	45130022000	ANGLE PIECE 50CCM LC 2001	1
14	55140030100	COLLAR BUSHING	1
16	0471200120	CIRCLIP DIN471 20X1,2	1
19	0019050106S	INT. TORX FLAT HEAD M5X10 10.9	3
27	54630027000	DOWEL BUSHING 13,8X11X12	1
28	54830027000	DOWEL 21X12 03	1
39	55430039000	ENGINE CASE GASKET	1
60	0025060606	HH COLLAR SCREW M6X60 TX30	4
61	0025060456	HH COLLAR SCREW M6X45 TX30	10

175543011

C175543011

* NEW PART

X ON DEMAND



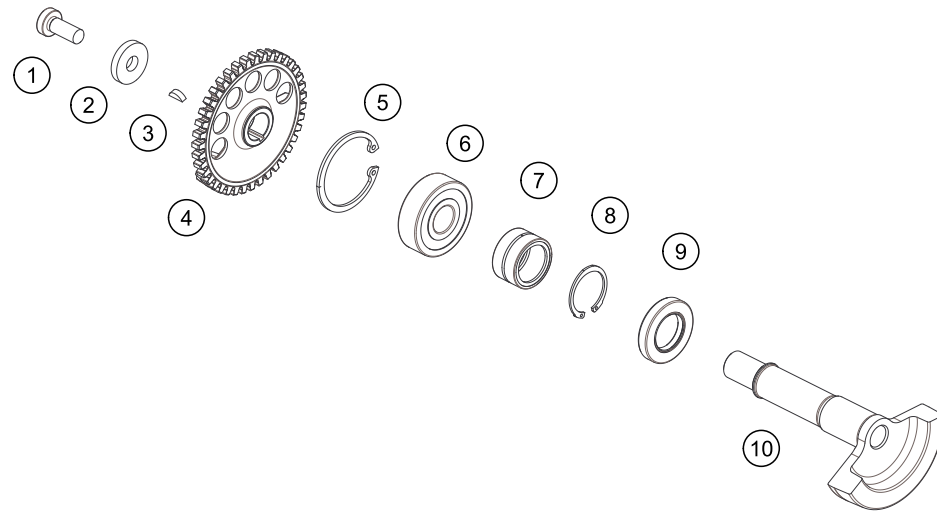
POS	PARTNUMBER	PARTNAME	PIECE
1	55430001044	INNER CLUTCH COVER CPL. 17	1
2	55430025000	% CLUTCH COVER GASKET INSIDE	1
3	49030090100	DOWEL 9,8 X7X10	3
4	0603061001	CU-SEAL RING DIN7603-6X10X1	1
5	0025060106	HH COLLAR SCREW M6X10 TX30	1
6	54637107000	SEALING ELEMENT BOTTOM	2
7	54837091100	SEALING CARRIER 07	1
8	55430027000	CLUTCH COVER GASKET OUTSIDE	1
9	5543002600015	CLUTCH COVER OUTSIDE	1
10	79430020033	OIL FILLER CAP M24x3 WITH O-R	1
11	0770191015	O-RING 19,00X3,00 NBR	1
12	0025060206	HH COLLAR SCREW M6X20 TX30	4
13	0025060606	HH COLLAR SCREW M6X60 TX30	2
14	0025060556	HH COLLAR SCREW M6X55 TX30	1
15	0025060306	HH COLLAR SCREW M6X30 TX30	1
16	0025060256	HH COLLAR SCREW M6X25 TX30	7

175543020

C175543020

* NEW PART

X ON DEMAND



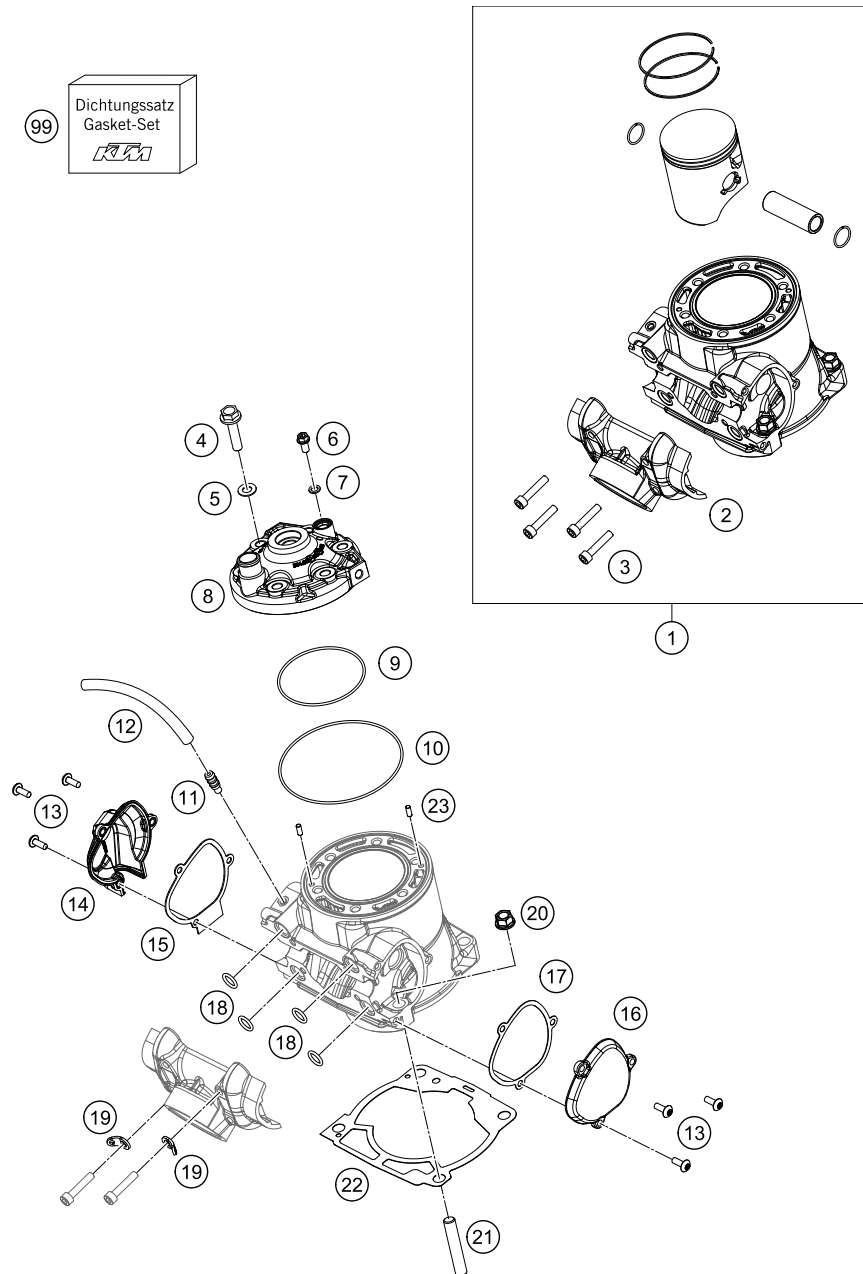
POS	PARTNUMBER	PARTNAME	PIECE
1	0035080206S	AH-COLLAR SCREW M8X20 ISA45	1
2	0340084234	WASHER DIN 6340 8,4X23X4	1
3	0888030037	WOODRUFF KEY DIN6888-3X3,7	1
4	55430056000	AGW-GEAR WHEEL	1
5	0472042175	CIRCLIP DIN0472-42X1,75	1
6	0625063022	GROOVED BALL BEARING 6302 C3	1
7	55430058000	NEEDLE BEARING NK20X16XL	1
8	55430059100	CIRCLIP DIN0472-28X1,2	1
9	47030076100	SEAL SHAFT RING 20X35X6 BTSL	1
10	55430057100	BALANCER SHAFT	1

175543030

C175543030

* NEW PART

X ON DEMAND



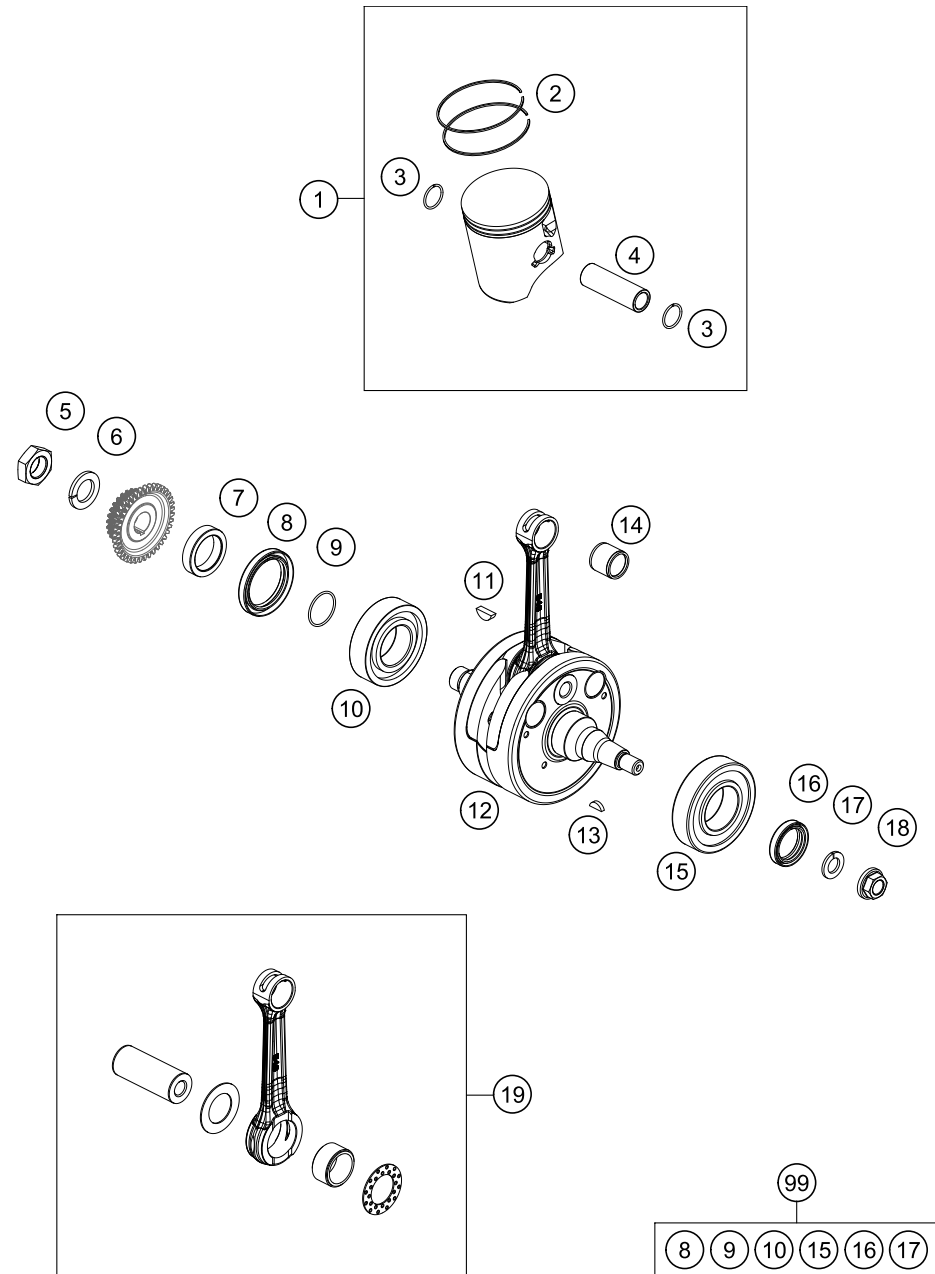
175543051

POS	PARTNUMBER	PARTNAME	PIECE
1	55630038000	CYLINDER + PISTON KPL. 17	1
2	55437001000	CONNECTION FLANGE	1
3	0912060353	AH SCREW DIN0912-M 6X35	4
4	54830079000	COLLAR SCREW M 8X35 WS=13	6
5	56530080000	CU-SEAL RING 8 X 16 X 1	6
6	0025060126	HH COLLAR SCREW M6X12 TX30	1
7	0603061001	CU-SEAL RING DIN7603-6X10X1	1
8	55630206000	CYLINDER HEAD 300 XC	1
9	0770078020	O-RING 78,00X2,00 VIT. BLACK	1
10	0770105020	O-RING 105,00X2,00 07	1
11	58336020090	VACUUM CONNECTION M 6X1	1
12	50335030001	PVC-HOSE 6X9	1
13	58605083014	SCREW M5X14 TORX 25 07	6
14	5483700700015	CONTROL COVER R/S 09	1
15	54837008000	GASKET FOR CONTROL COVER R/S	1
16	5483700500015	CONTROL COVER L/S 09	1
17	54837006000	GASKET FOR CONTROL COVER L/S	1
18	0770116241	O-RING 11,3 X2,4 SILICON	4
19	51005074000	RETAINING PLATE	2
20	54630044000	COLLAR NUT M10 WS=13	4
21	0835100351S	STUD SCREW DIN0835-M10X35	4
22	55430030025	CYLINDER BASE GASKET	x
22	55430030020	CYLINDER BASE GASKET	x
22	55430030040	CYLINDER BASE GASKET	x
22	55430030050	CYLINDER BASE GASKET	x
22	55430030075	CYLINDER FOOT GASKET	x
23	0402040980	NEEDLE ROL.DIN5402 NRB 4X9,8	2
99	55430097000	GASKET SET CYL. 250SX 17	x

C175563050

* NEW PART

X ON DEMAND



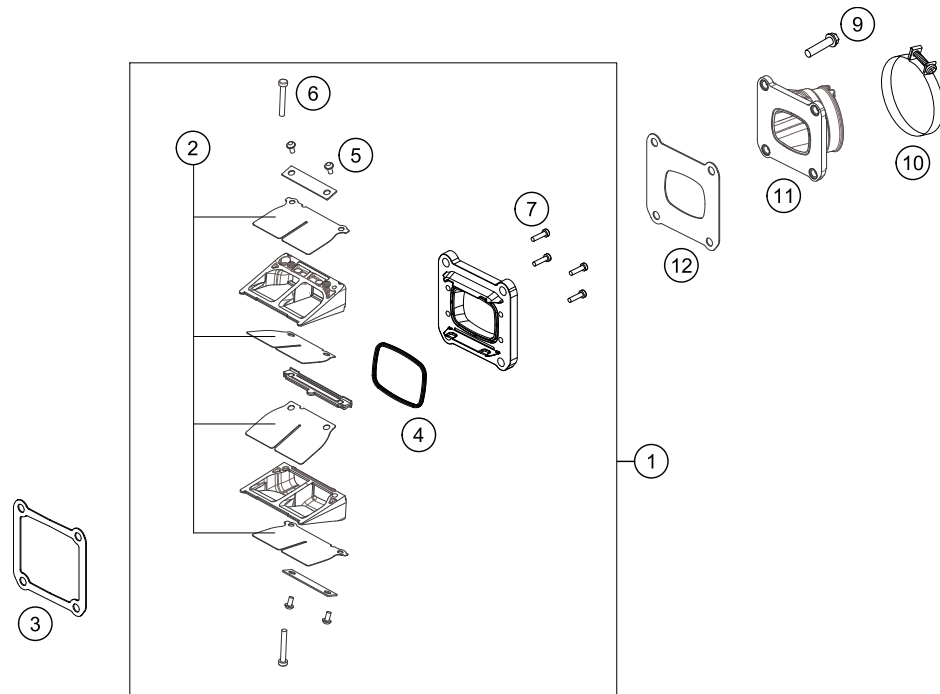
POS	PARTNUMBER	PARTNAME	PIECE
1	55630107000 I	PISTON CPL. SIZE 1 D=71,925	1
1	55630107000 II	PISTON CPL. SIZE 2 D=71,935	1
2	54830132000	R-RING 72,0MM 300 2004	2
3	54830074000	SNAP RING 18X1,5	2
4	54830233000	PISTON PIN	1
5	54630029000	HEX.NUT L/SH M18X1,5	1
6	58132072000	LOCK WASHER VSK 18	1
7	55430016000	DISTANCE SLEEVE	1
8	0760385273	SHAFT SEAL RING 38X52X7BTSL	1
9	0770250015	O-RING 25,00X1,50 NBR 70	1
10	0625623204	BALL BEARING 32X65X17 NTN	1
11	6946005	WOODRUFF KEY 5X6,5 HARDED	1
12	55430118100	CRANKSHAFT EXC	1
13	0888030050	WOODRUFF KEY DIN6888-3X5X13	1
14	54430034000	NEEDLE BEARING KBK 18X22X20	1
15	56530123200	CYLIND.ROL.BEAR. NJ207ET2XCS42	1
16	0760253570	SHAFT SEAL RING 25X35X7 BTSL	1
17	50230029012	LOCKING RING VSK 12	1
18	49030021000	COLLAR NUT M12X1 R/S	1
19	54830015244	CON.ROD REP.SET 250/300	x
99	00050002301	CRANKSHAF REP. KIT 250-300	x

175543060

C175563060

* NEW PART

X ON DEMAND



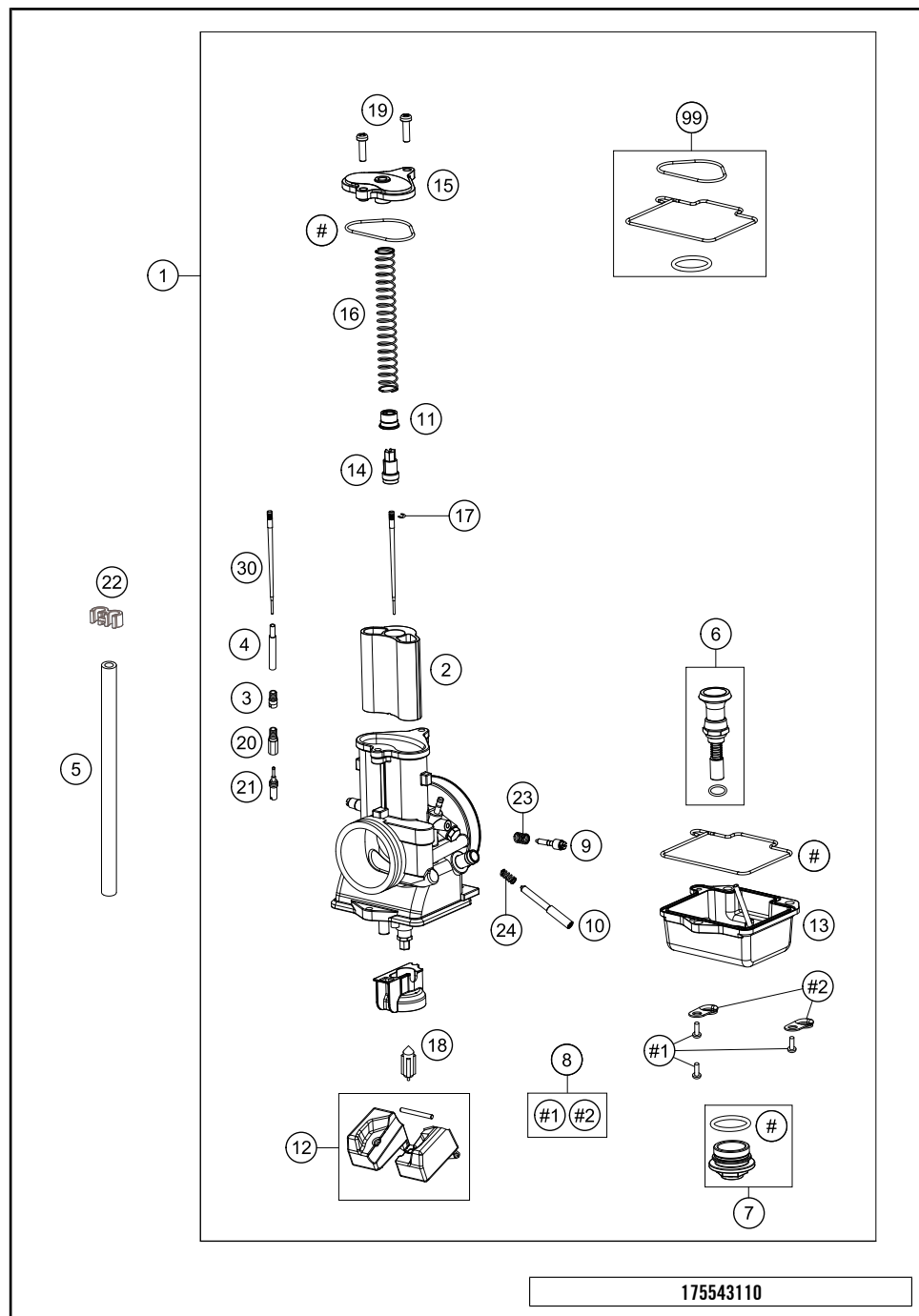
POS	PARTNUMBER	PARTNAME	PIECE
1	50430151044	REED VALVE CASE CPL.	1
2	54830052344	REED VALVE SET	1
3	50430098050	GASKET REED VALVE CASE	1
4	54830153050	GASKET SUPPORTING PLATE	1
5	00810300553	EJOT DELTA PT SCREW 30X5,5	4
6	0081035253	EJOT DELTA PT SCREW 35X25	2
7	0081030124	EJOT DELTA PT SCREW 30X12	4
9	0025060256	HH COLLAR SCREW M6X25 TX30	4
10	54830061000	CLAMP 54/09 MIXED	1
11	55430250000	INTAKE FLANGE	1
12	50430098060	GASKET INTAKE FLANGE	1

175543071

C175543071

* NEW PART

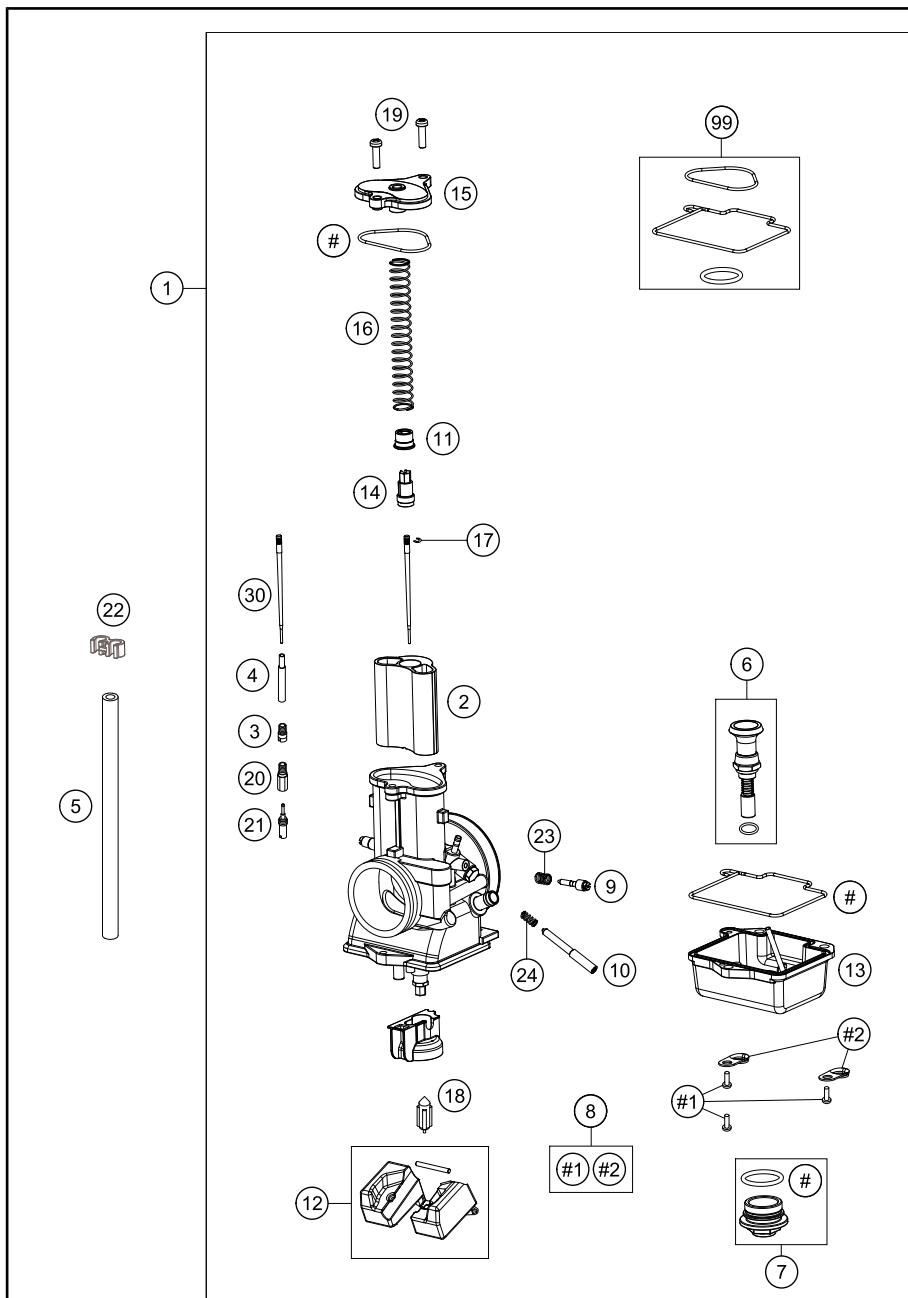
X ON DEMAND



POS	PARTNUMBER	PARTNAME	PIECE
1	55431001744	CARBURETOR TMX38	1
2	55431035040	THROTTLE SLIDE "4.0"	1
3	55431051050	STARTING JET "50"	x
3	55431051080	STARTING JET "80"	x
4	55431021000	NEEDLE JET "R-8"	1
5	31007007101	PVC-HOSE 4X6MM	x
5	52031137001	PVC-HOSE 3X5MM	x
6	55431245000	START PISTON CPL.	1
7	55431699000	SCREW PLUG CPL.	1
8	55431012000	PLATE & SCREW	1
9	55431017000	ADJUSTER & COMPRESSION SPRING	1
10	55431019000	ADJUSTER	1
11	55431030050	GUIDE HOLDER	1
12	55431009000	FLOAT & PIN	1
13	55431011000	FLOAT CHAMBER CPL.	1
14	55431034050	RING	1
15	55431027000	CARBURETTOR COVER	1
16	55431030000	SLIDING SPRING MIKUNI	1
17	55431034060	LOCK RING	1
18	55431020000	FLOAT NEEDLE CPL.	1
19	554831025000	SCREW CARBURETTOR COVER	2
20	55431029100	MAIN JET "100"	x
20	55431029155	MAIN JET "155"	x
20	55431029400	MAIN JET "400"	x
20	55431029410	MAIN JET "410"	x
20	55431029420	MAIN JET "420"	x
20	55431029430	MAIN JET "430"	x
20	55431029440	MAIN JET "440"	x
20	55431029450	MAIN JET "450"	x
20	55431029460	MAIN JET "460"	x
20	55431029470	MAIN JET "470"	x
20	55431029480	MAIN JET "480"	x
20	55431029490	MAIN JET "490"	x
20	55431029500	MAIN JET "500"	x
20	55431029520	MAIN JET "520"	x
20	55431029540	MAIN JET "540"	x
20	55431029560	MAIN JET "560"	x
20	55431029580	MAIN JET "580"	x

C175543110

* NEW PART X ON DEMAND



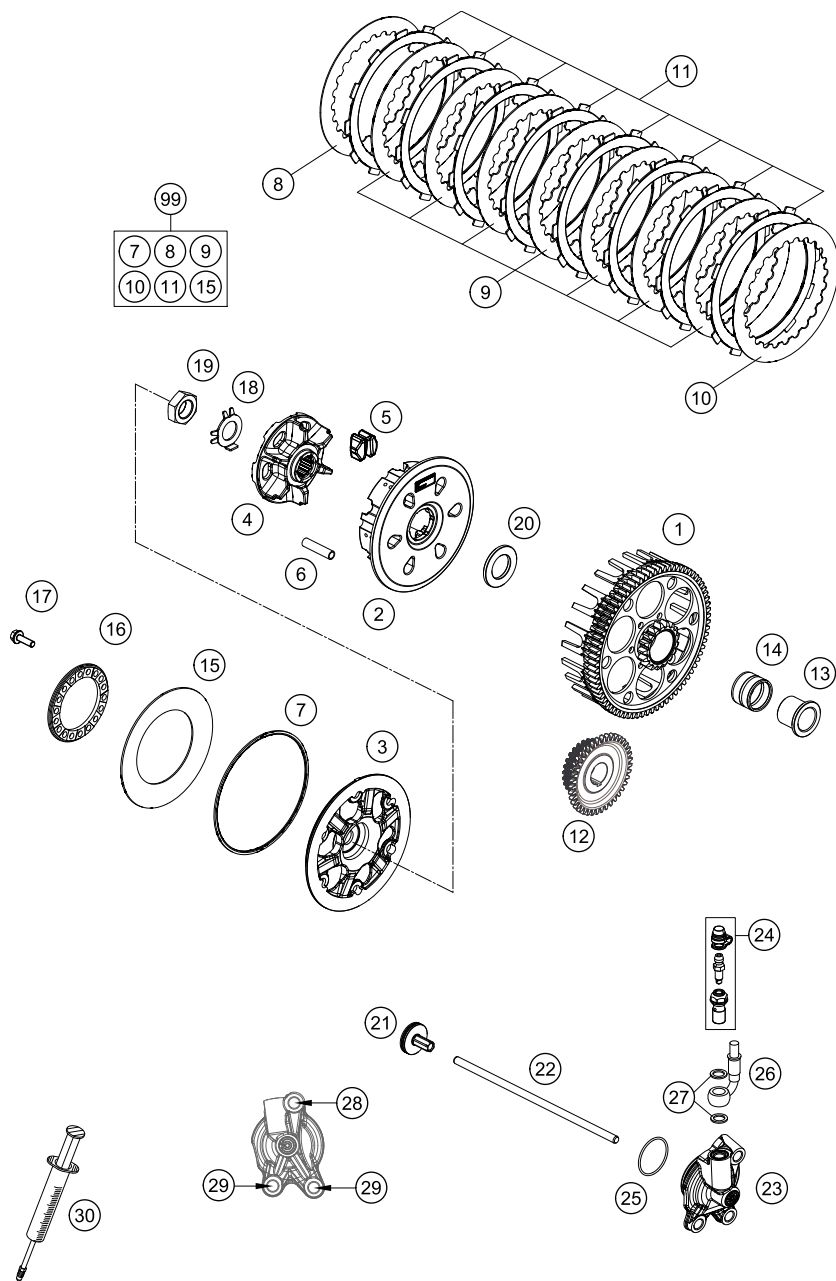
175543110

POS	PARTNUMBER	PARTNAME	PIECE
20	55431029600	MAIN JET "600"	X
21	55431007150	IDLING JET "15"	X
21	55431007175	IDLING JET "17.5"	X
21	55431007300	IDLING JET "30"	X
21	55431007325	IDLING JET "32.5"	X
21	55431007350	IDLING JET "35"	X
21	55431007375	IDLING JET "37.5"	X
21	55431007400	IDLING JET "40"	X
21	55431007425	IDLING JET "42.5"	X
21	55431007450	IDLING JET "45"	X
21	55431007475	IDLING JET "47.5"	X
21	55431007500	IDLING JET "50"	X
21	55431007525	IDLING JET "52.5"	X
22	55431073000	DISTANCE HOLDER	3
23	55431017010	COMPRESSION SPRING ADJUSTER	1
24	55431019010	ADJUSTER & COMPRESSION SPRING	1
30	55431934000	JET NEEDLE "6GAY69-74"	X
30	55431034000	JET NEEDLE "6BFY42-71"	X
30	55431034100	JET NEEDLE "6BFY42-72"	X
30	55431034200	JET NEEDLE "6BFY42-73"	X
30	55431034300	JET NEEDLE "6BFY42-74"	X
30	55431034400	JET NEEDLE "6BFY42-75"	X
30	55431034500	JET NEEDLE "6BFY42-76"	X
30	55431134000	JET NEEDLE "6BFY43-71"	X
30	55431134100	JET NEEDLE "6BFY43-72"	X
30	55431134200	JET NEEDLE "6BFY43-73"	X
30	55431134300	JET NEEDLE "6BFY43-74"	X
30	55431134400	JET NEEDLE "6BFY43-75"	X
30	55431134500	JET NEEDLE "6BFY43-76"	X
30	55431234000	JET NEEDLE "6BFY44-71"	X
30	55431234100	JET NEEDLE "6BFY44-72"	X
30	55431234200	JET NEEDLE "6BFY44-73"	X
30	55431234300	JET NEEDLE "6BFY44-74"	X
30	55431234400	JET NEEDLE "6BFY44-75"	X
30	55431234500	JET NEEDLE "6BFY44-76"	X
99	55431099000	GASKET SET MIKUNI	X

C175543110

* NEW PART

X ON DEMAND

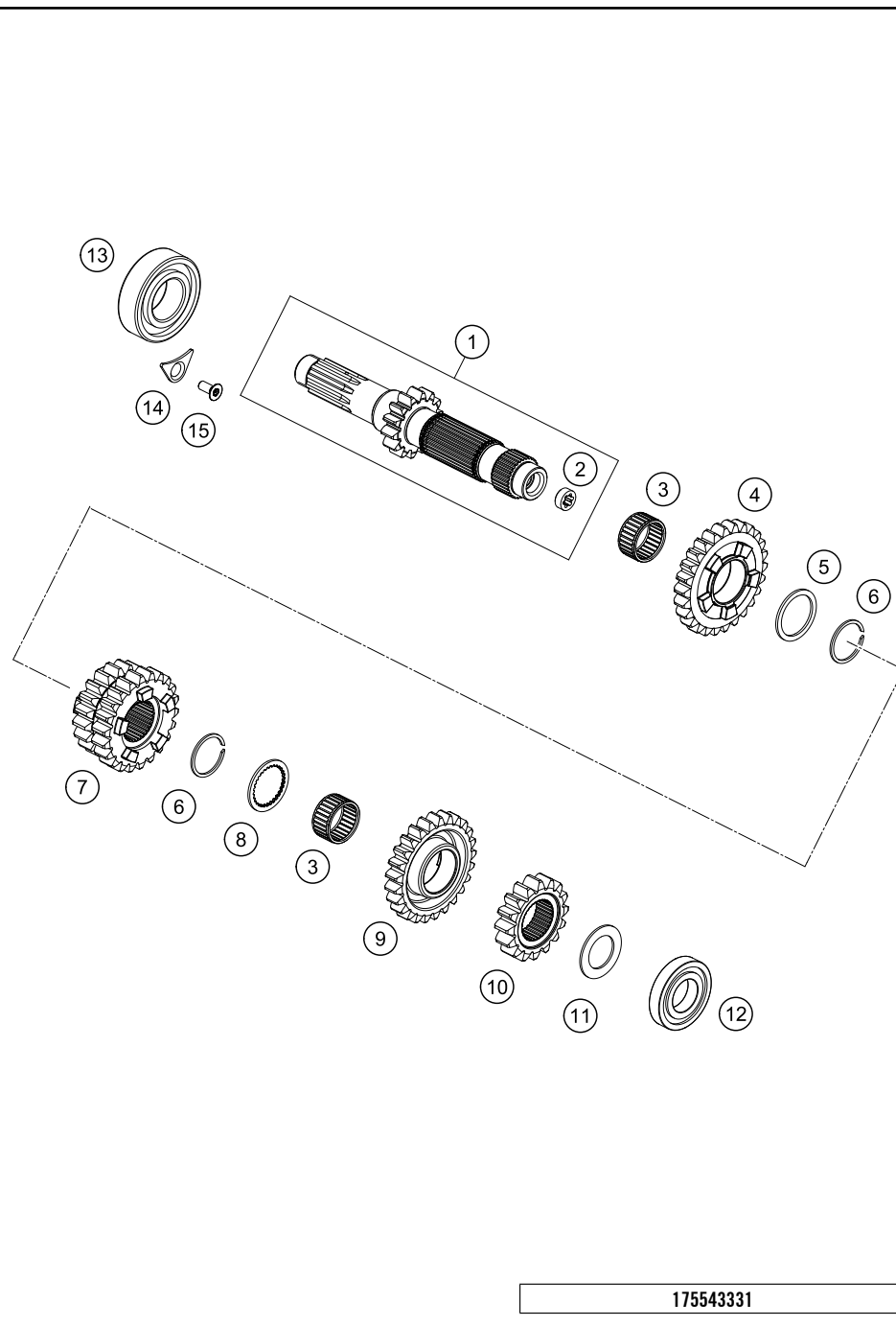


POS	PARTNUMBER	PARTNAME	PIECE
1	79232101073	OUTER CLUTCH HUB EXC	1
2	78132002300	CLUTCH HUB	1
3	79432003000	CLUTCH PRESSURE CAP	1
4	78132002111	HUB	1
5	78132025100	DAMPING RUBBER	6
6	77232004000	DRIVING SLEEVE D=7,95 L=38	6
7	78132013000	WASHER 112X118X1.5	1
8	59032010100	INTERMEDIATE DISC 1MM 2002	1
9	59032010200	INTERMEDIATE DISC 1,4MM 2002	7
10	78932010000	INTERMEDIATE DISC 1MM	1
11	54832011100	LINING DISC 1,95 MM	8
12	55432024026	PRIMARY GEAR	1
13	77232015000	INNER RING	1
14	56532095000	NEEDLE BEARING K26X30X22ZW.KSE	1
15	78132005000	BELLEVILLE SPRING 71X115X1,5 I	1
16	78132006100	SPRING RING	1
17	0025050166	HH COLLAR SCREW M5X16 TX30	6
18	78132018000	TAB WASHER	1
19	0936181505	HEXAGON NUT DIN0936-M18X1,5 R.	1
20	77232009000	WASHER 21,8 X 37 X 5,1	1
21	78032057044	PRESSURE PIECE CPL. 08	1
22	79232054000	PUSH ROD	1
23	79232061044	OUTPUT CYLINDER CPL.	1
24	79032064000	BLEEDER SCREW CPL.	1
25	0770300015	O-RING 30,00X1,50 NBR 70	1
26	79232063000	CLUTCH PIPE	1
27	0603080161	COPPERT GASKET 8x16x1	2
28	0025060256	HH COLLAR SCREW M6X25 TX30	1
29	0025060166	HH COLLAR SCREW M6X16 TX30	2
30	50329050000	VENT INJEKTION HYDR. CLUTCH	1
99	54832011110	CLUTCH KIT 250/300 13-15	x

175543210

C175543210

* NEW PART X ON DEMAND



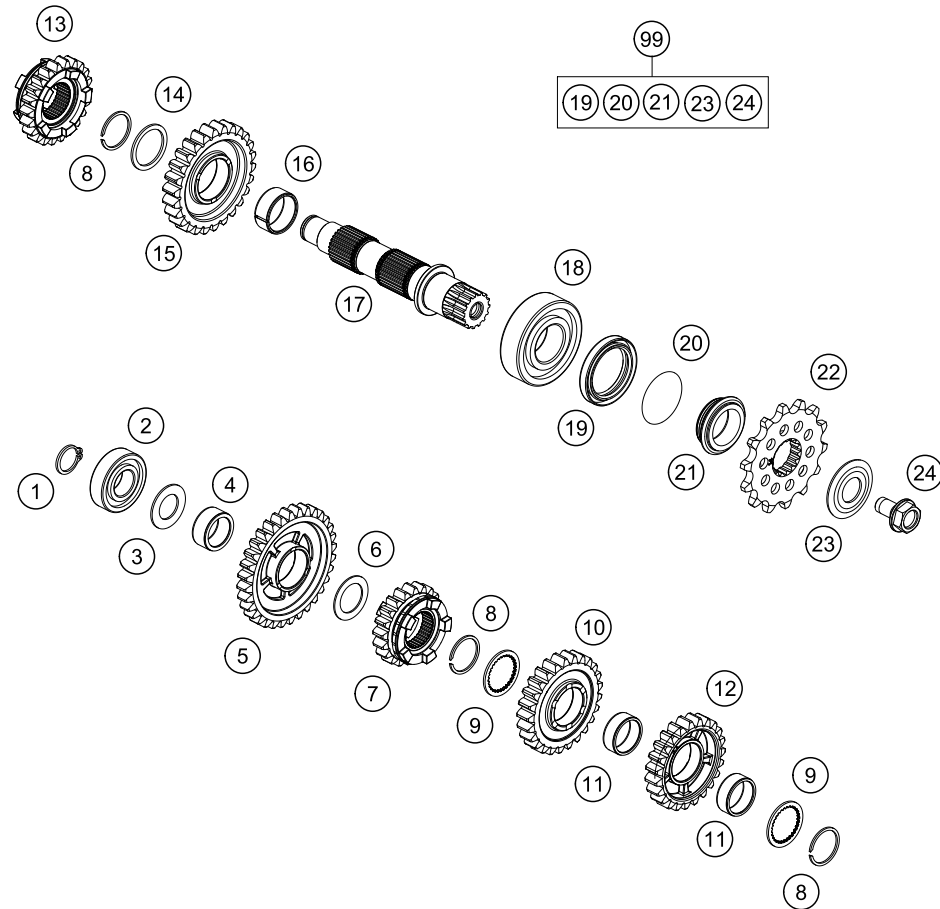
POS	PARTNUMBER	PARTNAME	PIECE
1	77233101000	MAIN SHAFT CPL. 14 T.	1
2	78033001110	BUSHING	1
3	0405222613	NEEDLE BEAR. K 22X26X13 TN	2
4	54833206000	IDLER GEAR 6. G, Z=26	1
5	54833044000	STOP DISC 25X31X1,5	1
6	0417024000	CIRCLIP WS24	2
7	79233103000	SLIDING GEAR 3./4.G. Z=20/22	1
8	54833043000	STOP DISC 25X0,8X30X30X7H	1
9	54833205000	IDLER GEAR 5.G, Z =25	1
10	54833202000	SOLID GEAR	1
11	77233015000	DISK 20,2X32X1,3	1
12	0625160040	GROOVED BALL BEAR. TM 16004 C3	1
13	0625062054	BALL BEARING 6205 C3 NTN	1
14	75030085000	RETAINING PLATE F. CS BEARING	1
15	0019050121S	INT. TORX FLAT HEAD M5X12 T25	1

175543331

C175543331

* NEW PART

X ON DEMAND



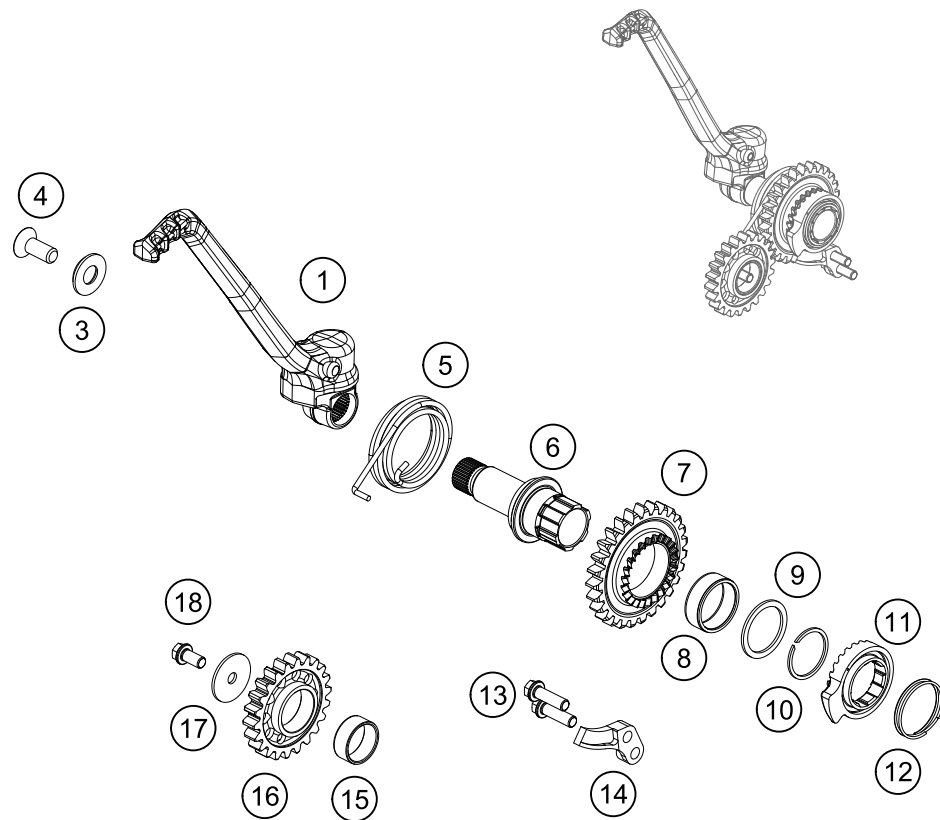
POS	PARTNUMBER	PARTNAME	PIECE
1	0471170015	CIRCLIP DIN 0471-17X1, 5	1
2	0625062035	BALL BEARING 6203 JR2 C3	1
3	77233020000	STOP DISK 17,2X30X1,3	1
4	0405202612	NEEDLE BEARING K 20X26X12	2
5	54833211000	IDLER GEAR 1. G, Z=32	1
6	54833080000	STOP DISC 20,2X30X1	1
7	54833216000	SLIDING GEAR 6.G., Z=20	1
8	0417024000	CIRCLIP WS24	3
9	54833043000	STOP DISC 25X0,8X30X30X7H	2
10	54833213000	IDLER GEAR 3.G., Z= 25	1
11	0405222611	NEEDLE BEAR.K 22X26X10 DIVIDED	2
12	54833214000	IDLER GEAR 4.G., Z=23	1
13	54833215000	SLIDING GEAR 5.G., Z=22	1
14	54833044000	STOP DISC 25X31X1,5	1
15	54833212000	IDLER GEAR 2. G., Z=26	1
16	0405242812	NEEDLE BEAR. K24X28X11,9 DIV.	1
17	77233110000	COUNTERSHAFT	1
18	49030023000	CYL.ROLL BEARING NJ205	1
19	0760324571	SHAFT SEAL RING 32X45X7 BSLNBR	1
20	0770020220	O-RING 25,12X1,78 NBR70	1
21	78133014000	SPACER SLEEVE COUNTER	1
22	79233029014	SPROCKET 14T	1
23	59033034000	% SPRING WASHER 17,2X40X1,5	1
24	59033029000	% HH COLLAR SCREW M10X18 10.9	1
99	00050000983	COUNTER SHAFT REP.KIT 2 STROKE	x

175543361

C175543361

* NEW PART

X ON DEMAND



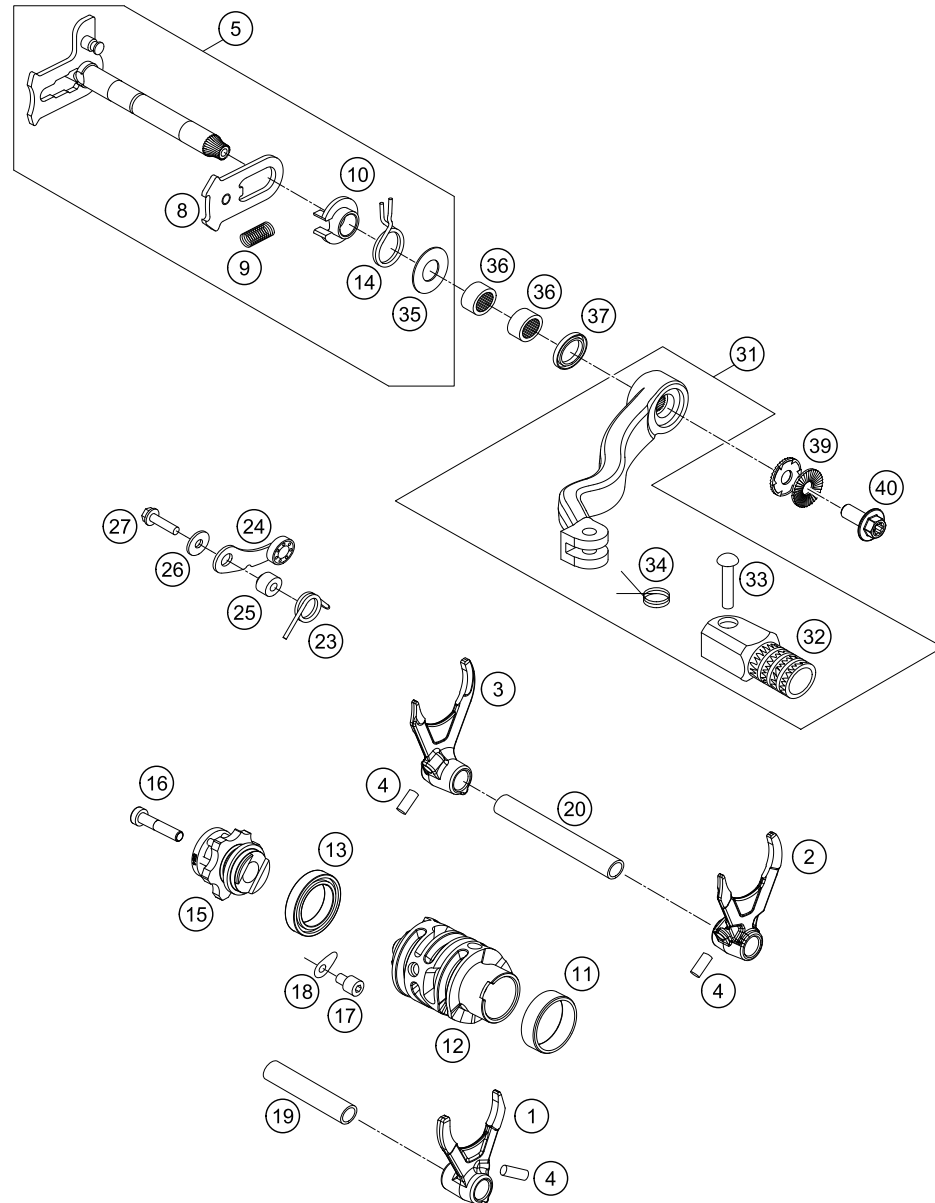
POS	PARTNUMBER	PARTNAME	PIECE
1	50433070044	KICKSTARTER CPL.	1
3	54633037000	WASHER 8MM GALVANIZED	1
4	0019080206S	FLAT HEAD SCREW M. ISA45 M8X20	1
5	50433054100	KICK STARTER SPRING	1
6	79233050000	KICK STARTER SHAFT	1
7	79233051027	KICK STARTER WHEEL 27Z	1
8	0405252910	NEEDLE BEAR K 25X29X10	1
9	54833044000	STOP DISC 25X31X1,5	1
10	0417025000	CIRCLIP SW25	1
11	50433052000	KICK STARTER RATCHET	1
12	58033028000	RATCHET GEAR SPRING 1,2 MM	1
13	0025060206	HH COLLAR SCREW M6X20 TX30	2
14	59033069000	BUMP PART	1
15	79433053050	CAROBRONZE BUSH	1
16	79233053022	KICK STARTER IDLER 22Z	1
17	79240017000	STOP DISC 6X26X1,5	1
18	0025060126	HH COLLAR SCREW M6X12 TX30	1

175543391

C175543391

* NEW PART

X ON DEMAND



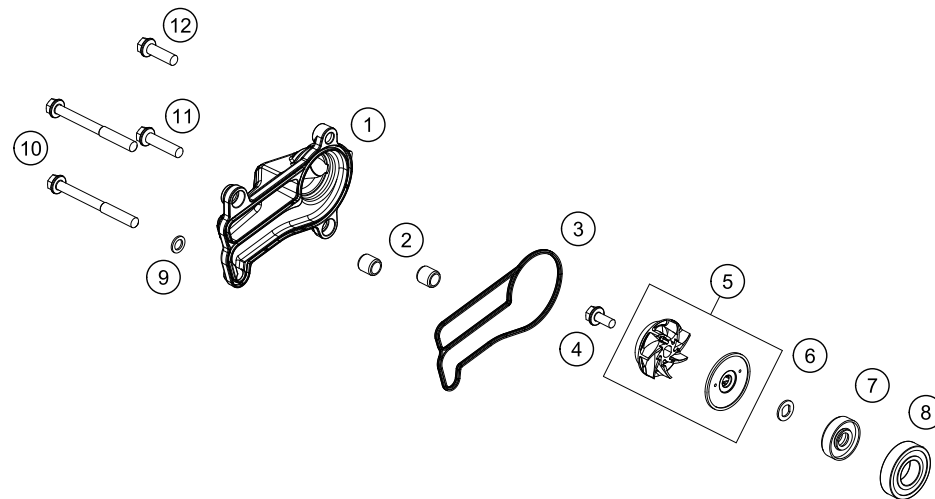
POS	PARTNUMBER	PARTNAME	PIECE
1	79234101000	SHIFT FORK 5.-6. GEAR	1
2	79234102000	SHIFT FORK 2.-4. GEAR	1
3	79234103000	SHIFT FORK 1.-3. GEAR	1
4	0402061480	NEEDLE ROLLER DIN5402 6X14,8	3
5	55434005133	SHIFT SHAFT CPL.	1
8	61234008044	SLIDING PLATE	1
9	56534013100	TENSIONING SPRING 0,8MM	1
10	54634020000	SPRING GUIDE	1
11	79234012010	FRICITION BEARING CONTROLLER	1
12	79234112000	SHIFT ROLLER	1
13	0625618050	BALL BEARING 61805 C3	1
14	54834014000	RETURN SPRING 03	1
15	55434015000	GEARSHIFT CPL.	1
16	0984060302	AH SCREW DIN6912 M 6X30	1
17	0019050106S	INT. TORX FLAT HEAD M5X10 10.9	1
18	75030085000	RETAINING PLATE F. CS BEARING	1
19	54834019000	SHIFT. RAIL MAIN SHAFT 250/300	1
20	77034019000	SHIFTING MAIN L=93MM 05	1
23	55434023100	LOCKING LEVER SPRING	1
24	55434024000	LOCKING LEVER CPL.	1
25	54634052300	SLEEVE FOR LOCKING LEVER	1
26	0349000050	WASHER DIN7349-5X15X2	1
27	0025050206	HH COLLAR SCREW M5X20 TX30	1
31	55434031000	SHIFTING LEVER CPL.	1
32	54634131000	STEP PLATE FOR SHIFT LEVER 250	1
33	54634031050	BOLT 6X25 FOR SHIFT LEVER	1
34	54634032100	SHIFTING LEVER SPRING 250	1
35	54634050000	STOP DISK 14X30X1	1
36	54632095000	NEEDLE BEAR.HK 1412 14X20X12	2
37	0760142460	SHAFT SEAL RING 14X24X6 B	1
39	50233041500	PAIR NORDLOCK WASHER M6	1
40	0024060156S	HH COLLAR SCREW M6X15 TORX30	1

175543411

C175543411

* NEW PART

X ON DEMAND



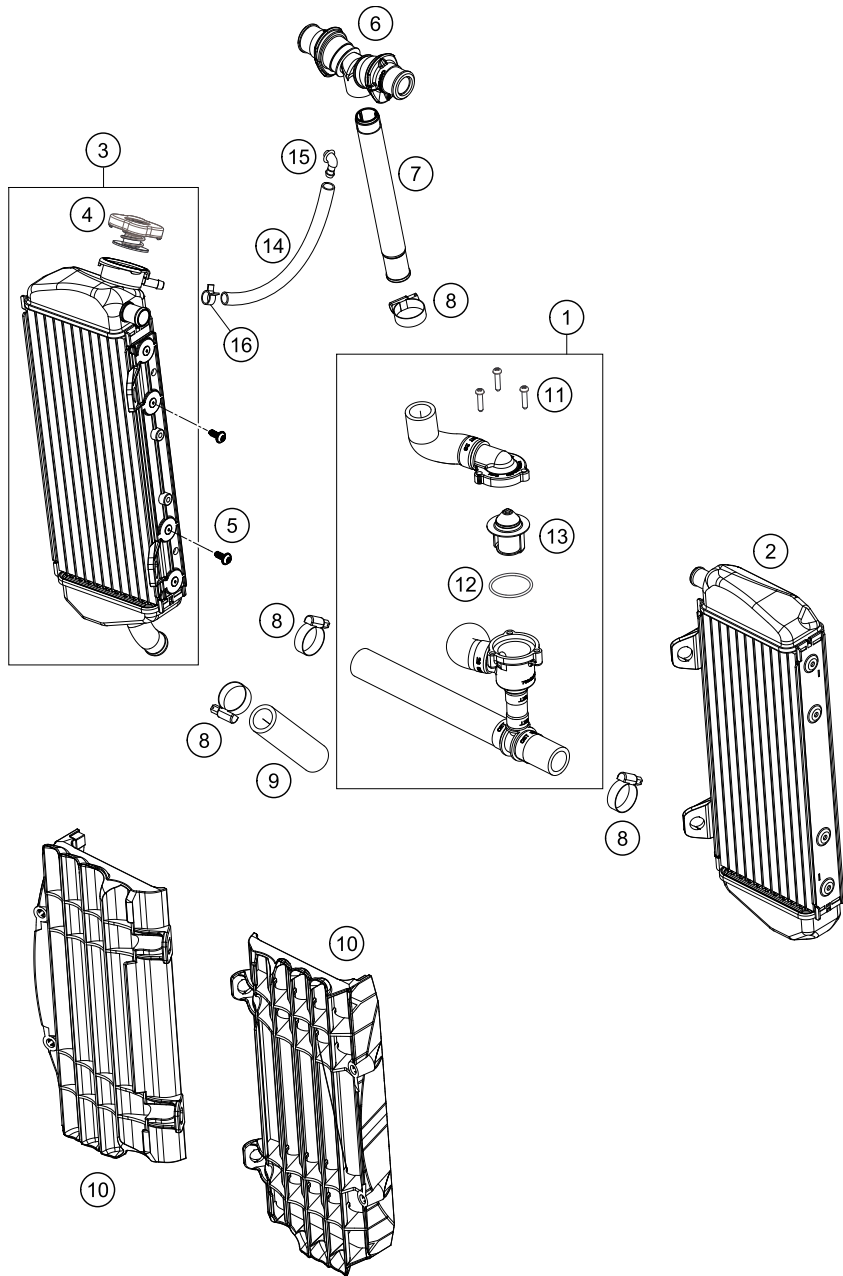
POS	PARTNUMBER	PARTNAME	PIECE
1	55435052000	WATER PUMP COVER	1
2	49030090100	DOWEL 9,8 X7X10	2
3	55435053000	GASKET WATER PUMP COVER	1
4	0014050123	HH COLLAR SCREW M 5X12 WS=6	1
5	79235055044	WATER PUMP WHEEL CPL.	1
6	50435049000	PREFORMED WASHER	1
7	0760082472	SHAFT SEAL RING 8X24X7 A DUO	1
8	0625160020	BALL BEARING 16002 C3	1
9	0603061001	CU-SEAL RING DIN7603-6X10X1	1
10*	0025060556	HH COLLAR SCREW M6X55 TX30	2
11*	0025060256	HH COLLAR SCREW M6X25 TX30	1
12*	0025060206	HH COLLAR SCREW M6X20 TX30	1

175543510

C175543510

* NEW PART

X ON DEMAND



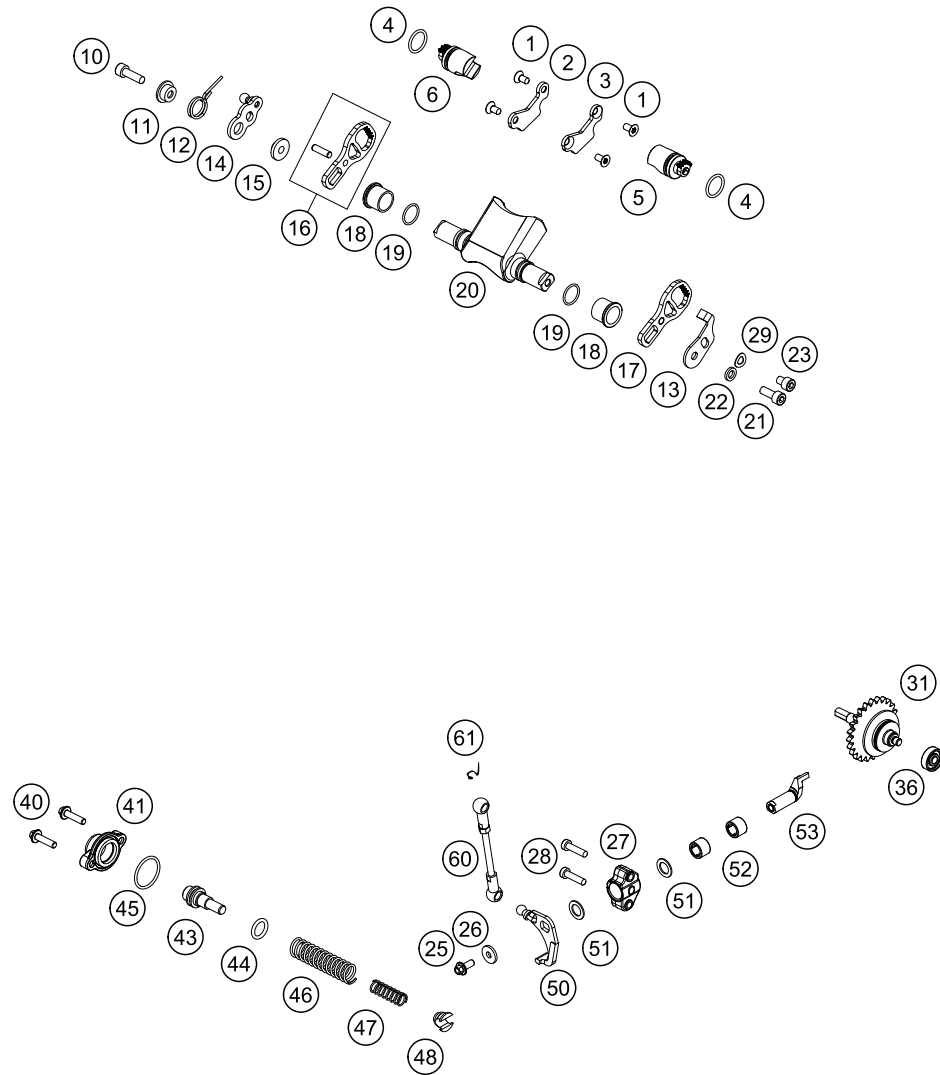
POS	PARTNUMBER	PARTNAME	PIECE
1	55635026033	RADIATOR HOSE WITH THERMO.	1
2	50435008100	RADIATOR RIGHT 17	1
3	50435007100	RADIATOR LEFT 17	1
4	79035016000	RADIATOR CAP 1,8 BAR	1
5	0024060123	COLLAR SCREW M6X12 TX	4
6	79035071044	Y-PIECE CPL.	1
7	50435073000	COOLING WATER PIPE	1
8	10001020000	HOSE CLAMP GEMI 18-29	6
9	55635027000	% PRE-FORMENDHOSEENGINE/RADIAT	1
10	7903503400030	RADIATOR PROTECT 2016	2
11	0016040183	SCREW FOR PLASTIC D=4X18	3
12	0770320020	O-RING 32,00X2,00	1
13	59435017000	THERMOSTAT 70 DEGREE 04	1
14	50335030001	PVC-HOSE 6X9	1
15	50303089000	ANGLE PIECE '97	1
16	59007017000	CLAMP YDNAC 10096F (9,6MM)	1

175543531

C175543531

* NEW PART

X ON DEMAND



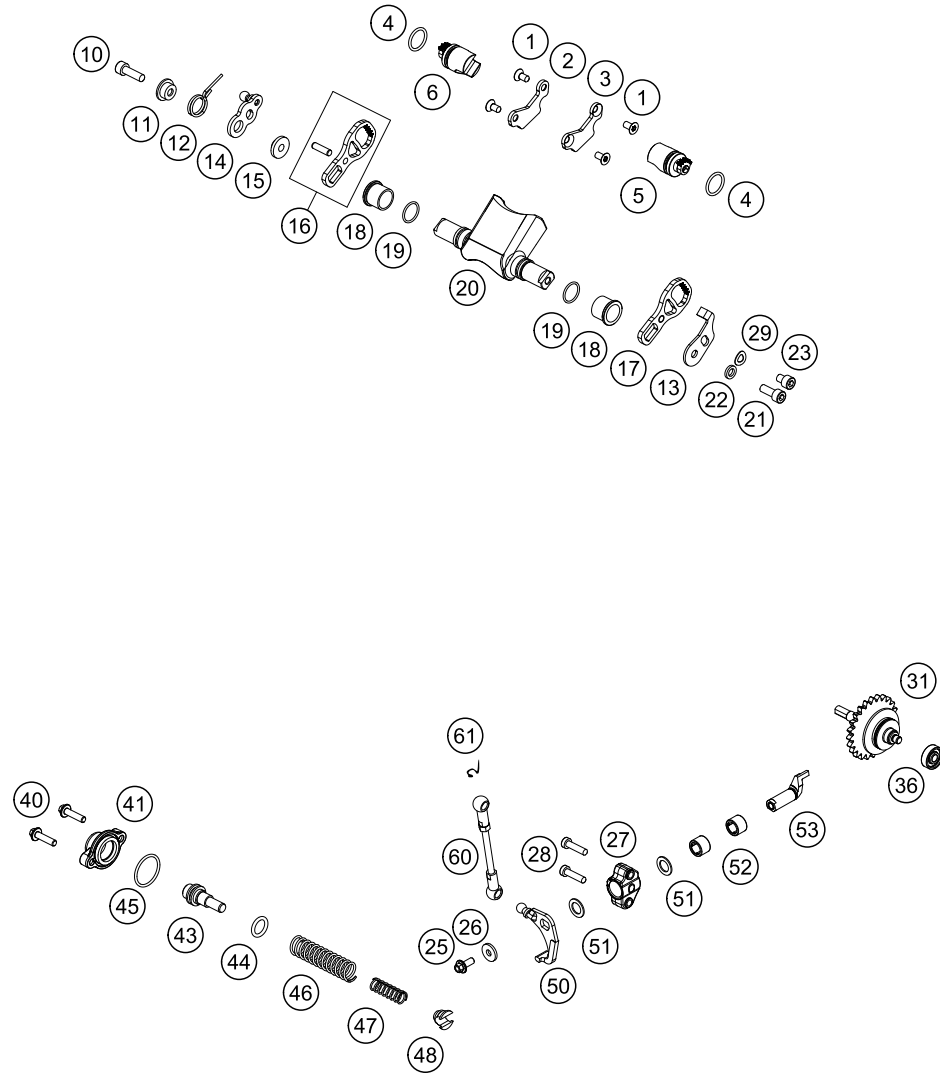
175543710

POS	PARTNUMBER	PARTNAME	PIECE
1	0019050106S	INT. TORX FLAT HEAD M5X10 10.9	4
2	54837362000	RETAINING PLATE 300 R/S 08	1
3	54837363000	RETAINING PLATE 300 L/S 08	1
4	0770160021	O-RING 16,00X2,00 VITON	2
5	55437161044	CONTROL ROLLER 300 LEFT CPL.	1
6	55437162044	CONTROL ROLLER 300 RIGHT CPL.	1
10	0912060203	AH SCREW DIN0912-M 6X20	1
11	54637067000	SPRING SLEEVE	1
12	54637066000	OVERLOAD SPRING	1
13	54637085300	RETAIN.PLATE CONTROL FLAP '92	1
14	54637065000	CONTROL LEVER WITH BALL TYPE	1
15	54637068100	BUSHING SLEEVE	1
16	54837364044	GEAR SEGMENT RIGHT CPL. 08	1
17	54837364050	GEAR SEGMENT 300 L/S 08	1
18	50437023000	BEARING SLEEVE F. CONTROL FLAP	2
19	0770150151	O-RING 15,00X1,50 VITON	2
20	55637120000	CONTROL FLAP 300	1
21	0912060163	AH SCREW DIN0912-M 6X16	1
22	54637056100	WASHER 6,5X11X2	1
23	0912060083	AH SCREW DIN0912-M 6X 8	1
25	0014050123	HH COLLAR SCREW M 5X12 WS=6	1
26	0349000050	WASHER DIN7349-5X15X2	1
27	55437058000	BEARING SUPPORT	1
28	0025050256	HH COLLAR SCREW M5X25 ISA30	2
29	0137060003	SPRING WASHER DIN0137-B 6	1
31	55437050044	CENTRIFUGAL FORCE REGULATOR	1
36	54637098100	BALL BEARING 626LLBC3/5K	1
40	0014050203	HH COLLAR SCREW M 5X20 WS=6	2
41	54637070100	COVER LID 250-380'98	1
43	54837075000	SPRING GUIDE 250/300	1
44	0770021120	O-RING 12,37X2,62 NBR70	1
45	0770240020	O-RING 24,00X2,00 NBR70	1
46	54837069000	ADJUST. SPRING 2003	1
47	54837072000	AUXILIARY SPRING SOFT, RED	x
47	54637072300	AUXILIARY SPRING MID., YELLOW	1
47	54837072100	AUXILIARY SPRING HARD, GREEN	x
48	54637071200	SPRING INSERT	1
50	54637055244	ANGLE LEVER CPL. '91	1

C175563710

* NEW PART

X ON DEMAND



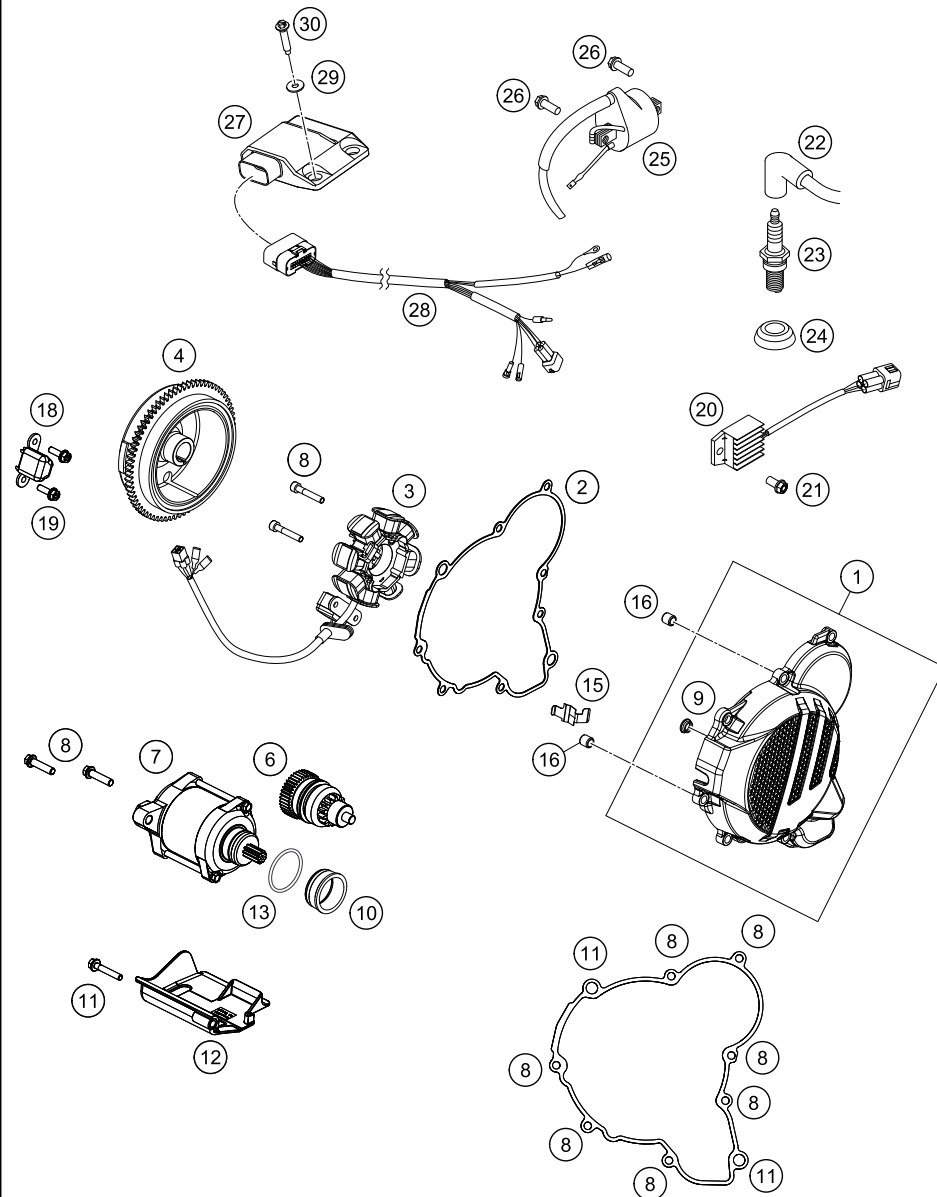
POS	PARTNUMBER	PARTNAME	PIECE
51	0988101610	SHIM WASHER DIN988 10X16X1	2
52	0618101410	NEEDLE SLEEVE HK 1010 10/14/10	2
53	55437057100	ADJUSTING LEVER 250/300	1
60	55437095044	CONNECTING ROD CPL.	1
61	50237195055	SECURING DIN-71805-S-8	1

175543710

C175563710

* NEW PART

X ON DEMAND



POS	PARTNUMBER	PARTNAME	PIECE
1	5543020204415	IGNITION COVER CPL.	1
2	55430040000	% IGNITION COVER GASKET	1
3	55439204000	STATOR	1
4	55439205000	ROTOR	1
6	55440126000	BENDIX	1
7	55440001000	STARTER ENGINE	1
8	0025060256	HH COLLAR SCREW M6X25 TX30	11
9	55140030100	COLLAR BUSHING	1
10	55440012000	BEARING BUSH	1
11	0025060306	HH COLLAR SCREW M6X30 TX30	3
12	55440040044	PROTECTION CAP STARTER ENGINE	1
13	0770021260	O-RING 34,59X2,62	1
15	55439140120	PLATE HARNESS MAGNETO	1
16	49030090100	DOWEL 9,8 X7X10	2
18	59039034000	PULSER COIL KOKUSAN 4K3-A/B	1
19	0025050166	HH COLLAR SCREW M5X16 TX30	2
20	80011034000	VOLTAGE REGULATOR 04	1
21	0023060123	COLLAR SCREW M6X12 TX	2
22	47039090000	SPARK PLUG CAP NGK REINFORC.04	1
23	54739093000	SPARK PLUG NGK BR7ES	1
24	50231012000	SEALING CUP FOR SPARK PLUG	1
25	59039006000	IGNITIONCOIL "IG5128"	1
26	0026060186	COLLAR SCREW M6X18 ISA30	2
27	55439331000	Dash Board Box 300 EXC 17	1
28	55439032000	HARNESS CDI BOX 2T 2017	1
29	0017060305	SPECIAL SCREW K60X30 WS=6	2
30	0021050003	WASHER DIN9021-A 5,3	2

175543911

C175563910

* NEW PART

X ON DEMAND

WWW.KTM.COM



KTM Sportmotorcycle GmbH
5230 Mattighofen, Austria
www.ktm.com



KTM_POWERPARTS

KTM_POWERWEAR

KTM_ORIGINAL SPARE PARTS



3CM084680QEN

Art. Nr.: 3CM084680QEN 15. Jul 2016