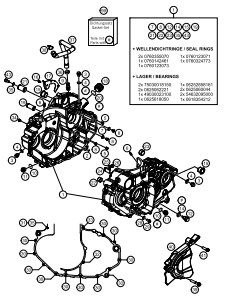
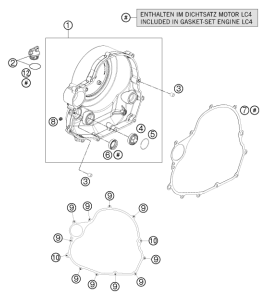
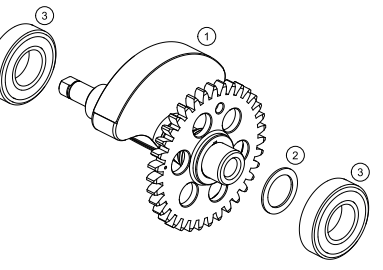
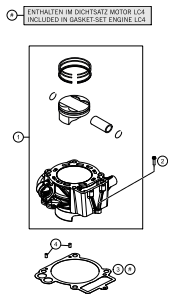
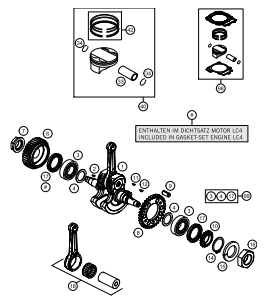
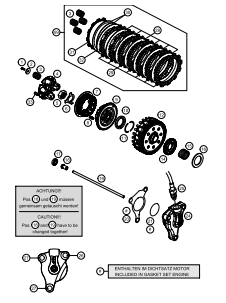
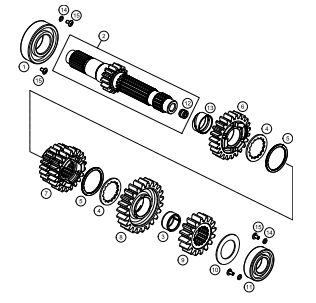
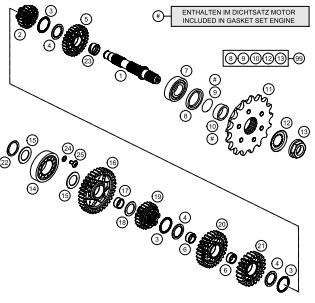
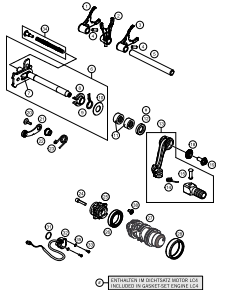
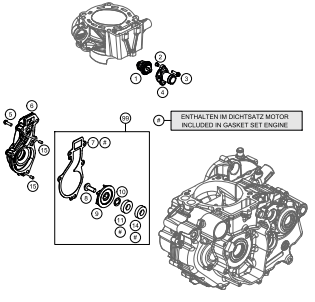
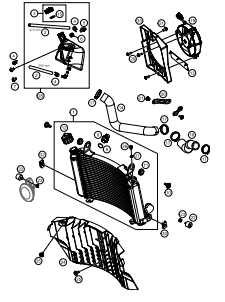
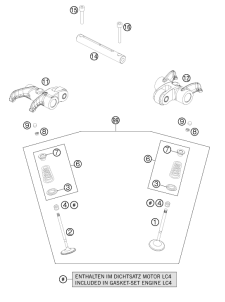


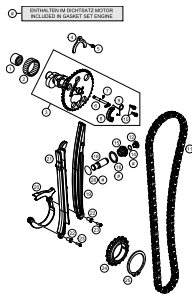
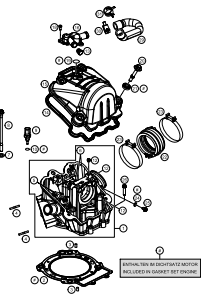
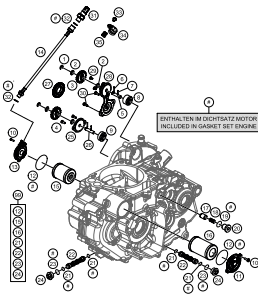
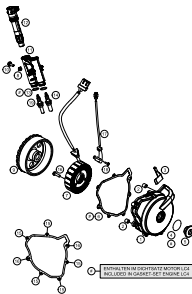
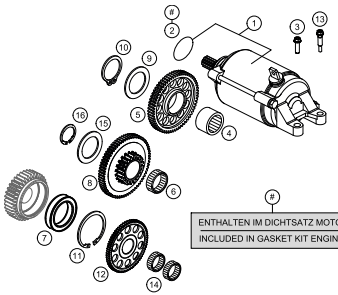
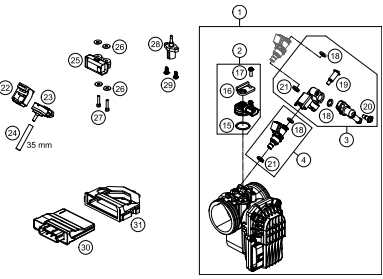

# 690 ENDURO-R / SMC-R 2016

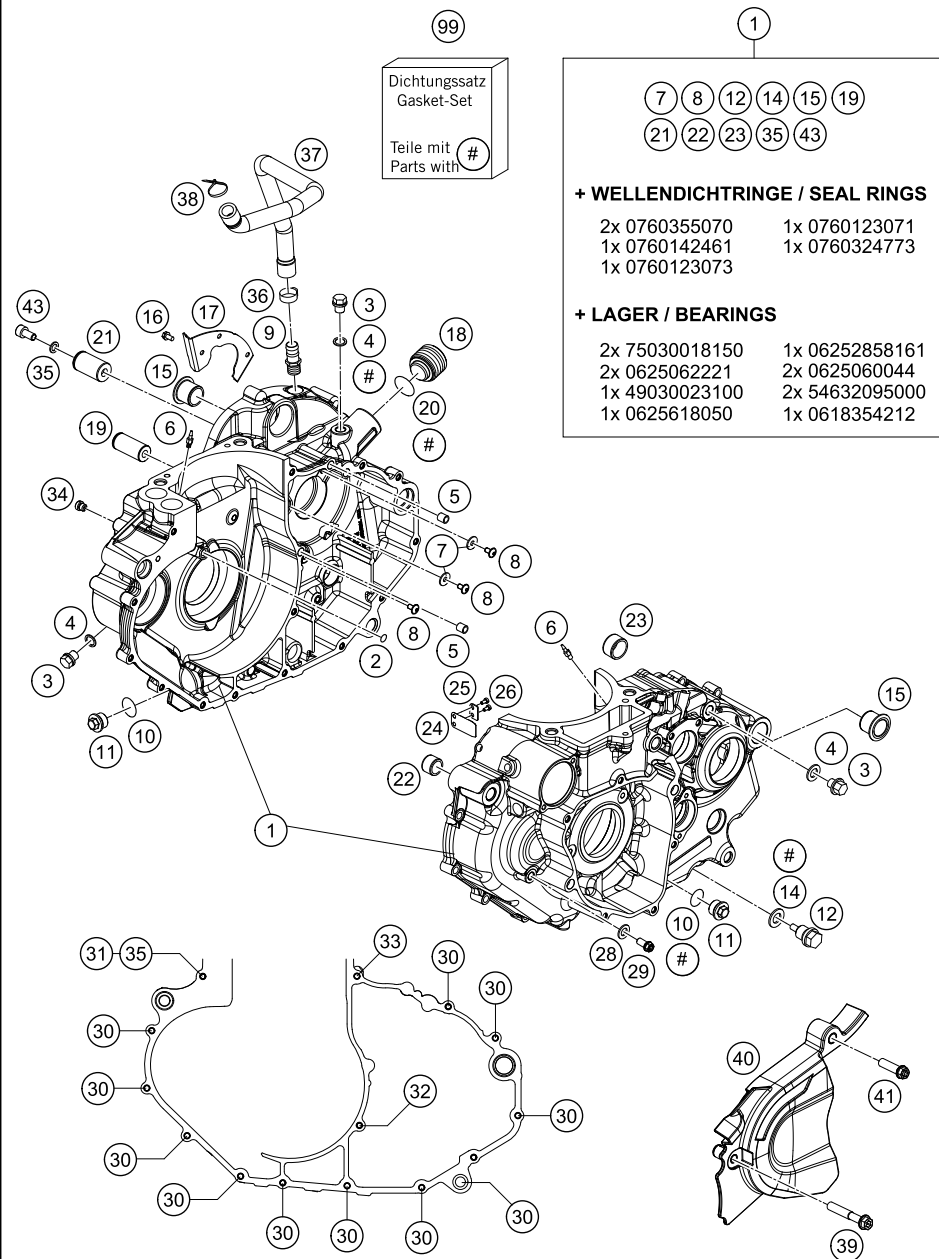
ART.-NR.: 3CM088525PEN





<p><b>ENGINE CASE</b></p>  <p><b>3</b></p>	<p><b>CLUTCH COVER</b></p>  <p><b>5</b></p>	<p><b>BALANCER SHAFT</b></p>  <p><b>6</b></p>	<p><b>CYLINDER</b></p>  <p><b>7</b></p>
<p><b>CRANKSHAFT, PISTON</b></p>  <p><b>8</b></p>	<p><b>CLUTCH</b></p>  <p><b>9</b></p>	<p><b>TRANSMISSION I - MAIN SHAFT</b></p>  <p><b>10</b></p>	<p><b>TRANSMISSION II - COUNTERSHAFT</b></p>  <p><b>11</b></p>
<p><b>SHIFTING MECHANISM</b></p>  <p><b>12</b></p>	<p><b>WATER PUMP</b></p>  <p><b>13</b></p>	<p><b>COOLING SYSTEM</b></p>  <p><b>14</b></p>	<p><b>VALVE DRIVE</b></p>  <p><b>15</b></p>

<p><b>TIMING DRIVE</b></p>  <p style="text-align: right;"><b>17</b></p>	<p><b>CYLINDER HEAD</b></p>  <p style="text-align: right;"><b>18</b></p>	<p><b>LUBRICATING SYSTEM</b></p>  <p style="text-align: right;"><b>19</b></p>	<p><b>IGNITION SYSTEM</b></p>  <p style="text-align: right;"><b>20</b></p>
<p><b>ELECTRIC STARTER</b></p>  <p style="text-align: right;"><b>21</b></p>	<p><b>THROTTLE BODY</b></p>  <p style="text-align: right;"><b>22</b></p>		
		<div style="display: flex; align-items: center;">  <p>                     All information contained is without obligation. KTM Sportmotorcycle GmbH particularly reserves the right to modify any equipment, technical specifications, prices, colors, shapes, materials, services, service work, constructions, equipment and the like so as to adapt them to local conditions or to cancel any of the above items, all without previous announcement and without giving reasons. KTM may stop manufacturing certain models without previous notice. KTM shall not be held liable for any deviations of availability and/or ability to deliver, illustrations, descriptions, printing and/or other errors. The illustrated models partly contain extra equipment, which is not applied to standard models.                       © by KTM Sportmotorcycle GmbH, Mattighofen AUSTRIA; All rights reserved; Reprint, also in extracts, with written allowance of KTM Sportmotorcycle GmbH, Mattighofen only.                 </p> </div>	



- 1
- (7) (8) (12) (14) (15) (19)  
(21) (22) (23) (35) (43)
- + WELLENDICHRINGE / SEAL RINGS**
- 2x 0760355070      1x 0760123071  
1x 0760142461      1x 0760324773  
1x 0760123073
- + LAGER / BEARINGS**
- 2x 75030018150      1x 06252858161  
2x 0625062221      2x 0625060044  
1x 49030023100      2x 54632095000  
1x 0625618050      1x 0618354212

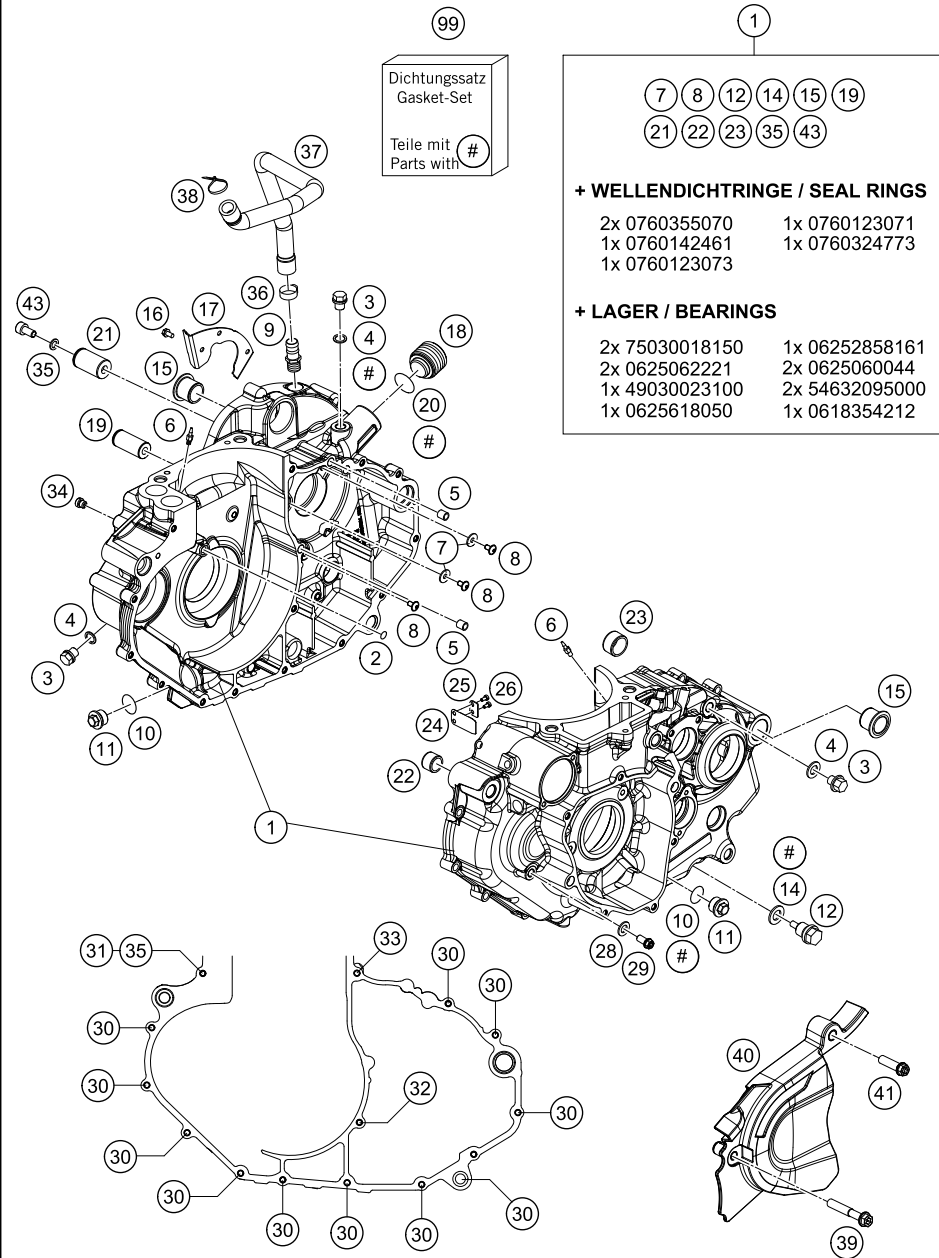
162703010

POS	PARTNUMBER	PARTNAME	PIECE
1*	7603000033324	ENGINE CASE CPL.	1
2	0770060018	O-RING 6,00X1,78	1
3	0910100003	PLUG DIN0910-M 10X1	3
4	0603100141	COPPER GASKET DIN7603-10X14X1	3
5	59030023000	DOWEL 6X8X11,5	3
6	60030064050	OIL JET 50 M6X0,75 WS8 05	2
7	0021050003	WASHER DIN9021-A 5,3	4
8*	073800501002	PAN HEAD SCREW M5X10 TX25	6
9	60030022000	VENTILATION CONNECTOR M16X1,5	1
10	0770020170	O-RING 17,17X1,78 GLO	2
11	59038017100	PLUG M20X1,5 WS=13	2
12	58030021000	OILDRAIN PLUG W.MAG. M 12X1,5	1
14	58038022000	CU-SEAL RING DIN7603-12X18X1,5	1
15	75030010000	CASE BUSH	2
16	07984050100	AH SCREW DIN7984 M5X10 A2	3
17	75030042000	COVER	1
18	75038048100	LOCK PIECE	1
19	54633018400	BUSHING PIN	1
20	0770180020	O-RING 18,00X2,00 NBR 70	1
21	59040028000	BUSHING PIN	1
22	51030026100	DOWEL 17 X 13 X 12	1
23	54830027000	DOWEL 21X12 03	1
24	75030003051	MEMBRANE 07	1
25	75030003050	STOP SHEET MEMBRANE 07	1
26	0458030080	CYLIND.SCREW M3X8 ISO 14580 SS	2
28	0603082121	SEAL RING CU DIN7603- 8X12X1	1
29	0025080166	HH COLLAR SCREW M8X16 TX40	1
30	0025060306	HH COLLAR SCREW M6X30 TX30	11
31	0025060256	HH COLLAR SCREW M6X25 TX30	1
32	0025060706	HH COLLAR SCREW M6X70 TX30	1
33	0025060806	HH COLLAR SCREW M6X80 TX30	1
34	75030058000	JET 125	1
35	0603061001	CU-SEAL RING DIN7603-6X10X1	2
36	00049220121	CLAMP STD DN22	1
37	76530089100	BREATHER HOSE	1
38	44011076200	CABLE TIE 200/3,6MM BLACK	x
39	0025060406	HH COLLAR SCREW M6X40 TX30	1
40	76530060044	CHAIN GUARD CPL. 08	1

C162703010

\* NEW PART

X ON DEMAND



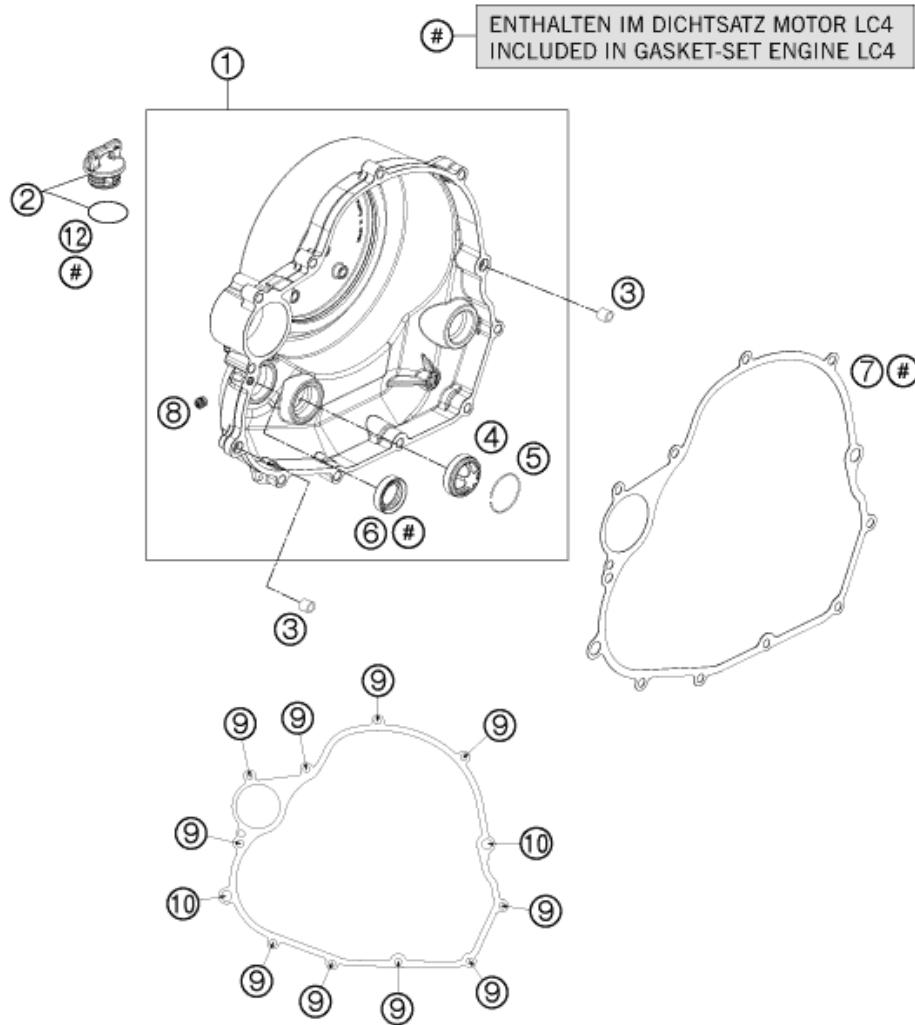
POS	PARTNUMBER	PARTNAME	PIECE
41	0025080356	HH COLLAR SCREW M8X35 TX40	1
43	0912060123	AH SCREW DIN0912-M 6X12	1
99	75030099000	GASKET SET LC4 2007	1

162703010

C162703010

\* NEW PART

X ON DEMAND

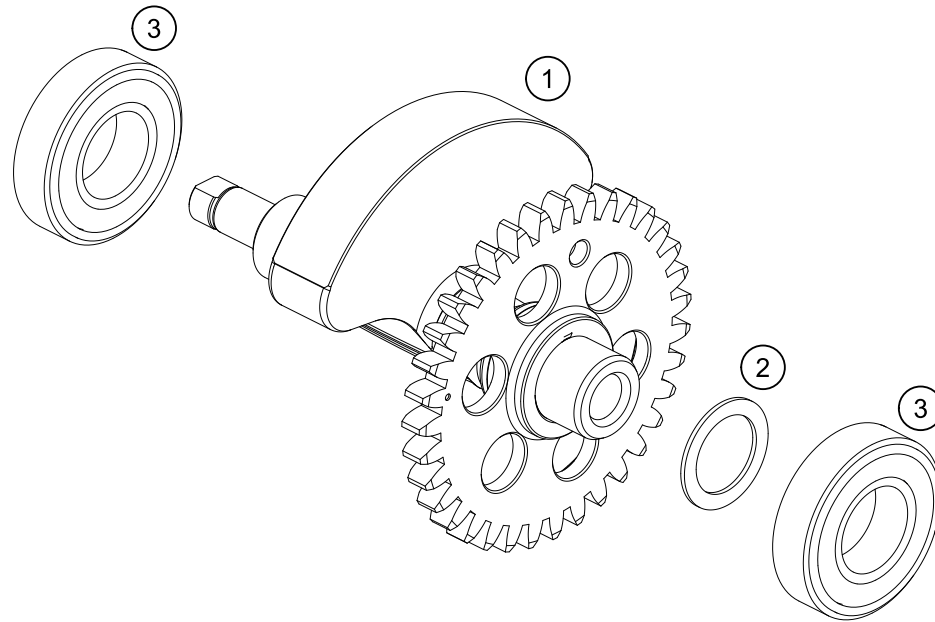


POS	PARTNUMBER	PARTNAME	PIECE
1	75030001044	CLUTCH COVER CPL. 07	1
2	58030020100	PLUG CPL. M24X3	1
3	49030090000	DOWEL 9,8 X 7 X 10	2
4	59030019200	OIL SIGHT GLASS	1
5	61030019050	CIRCLIP OIL LEVEL GLASS 03	1
6	0760172871	SHAFT SEAL RING 17X28X7B VITON	1
7	75030025000	CLUTCH CASE GASKET 07	1
8	59030296000	SCREW PLUG	1
9	0025060256	HH COLLAR SCREW M6X25 TX30	9
10	0025060306	HH COLLAR SCREW M6X30 TX30	2
12	0770191015	O-RING 19,00X3,00 NBR	1

117653020

C117653020

\* NEW PART X ON DEMAND



POS	PARTNUMBER	PARTNAME	PIECE
1	75030057244	BALANCING SHAFT COMPL.	1
2	0988223201	THRUST WASHER DIN0988-22X32X,1	x
2	09882232015	THRUST WASHERDIN0988-22X32X,15	x
2	0988223202	THRUST WASHER DIN0988-22X32X,2	x
2	0988223203	THRUST WASHER DIN0988-22X32X,3	x
3	0625062221	BALL BEARING 62/22 C4	2

162703030

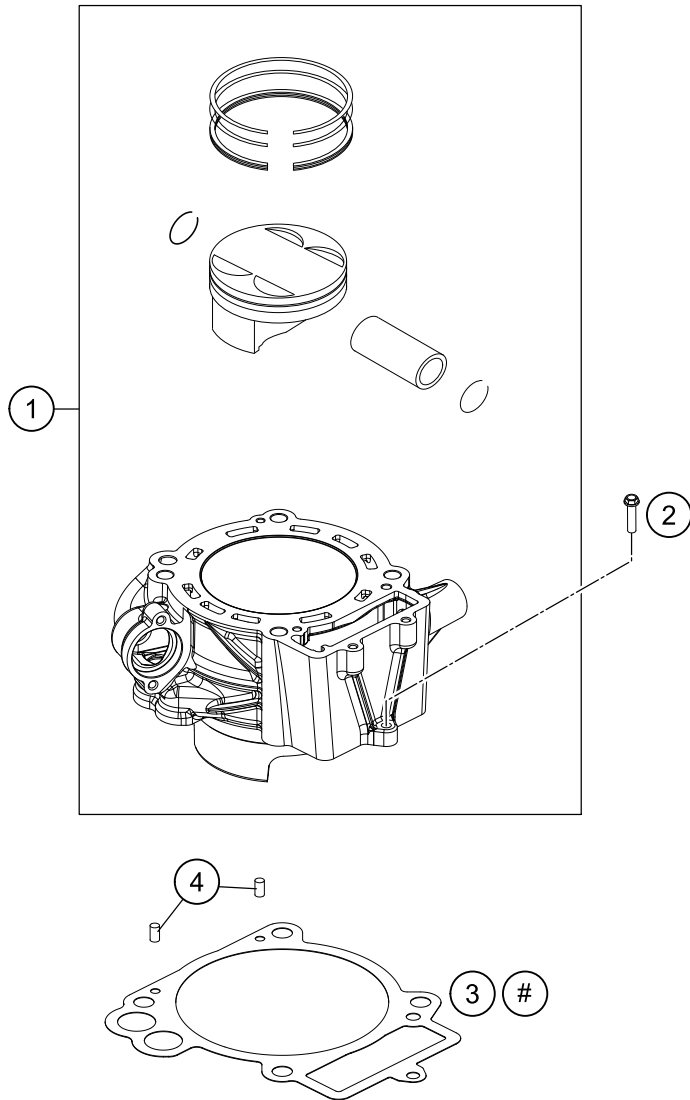
C162703030

\* NEW PART

X ON DEMAND



# ENTHALTEN IM DICHTSATZ MOTOR LC4  
INCLUDED IN GASKET-SET ENGINE LC4



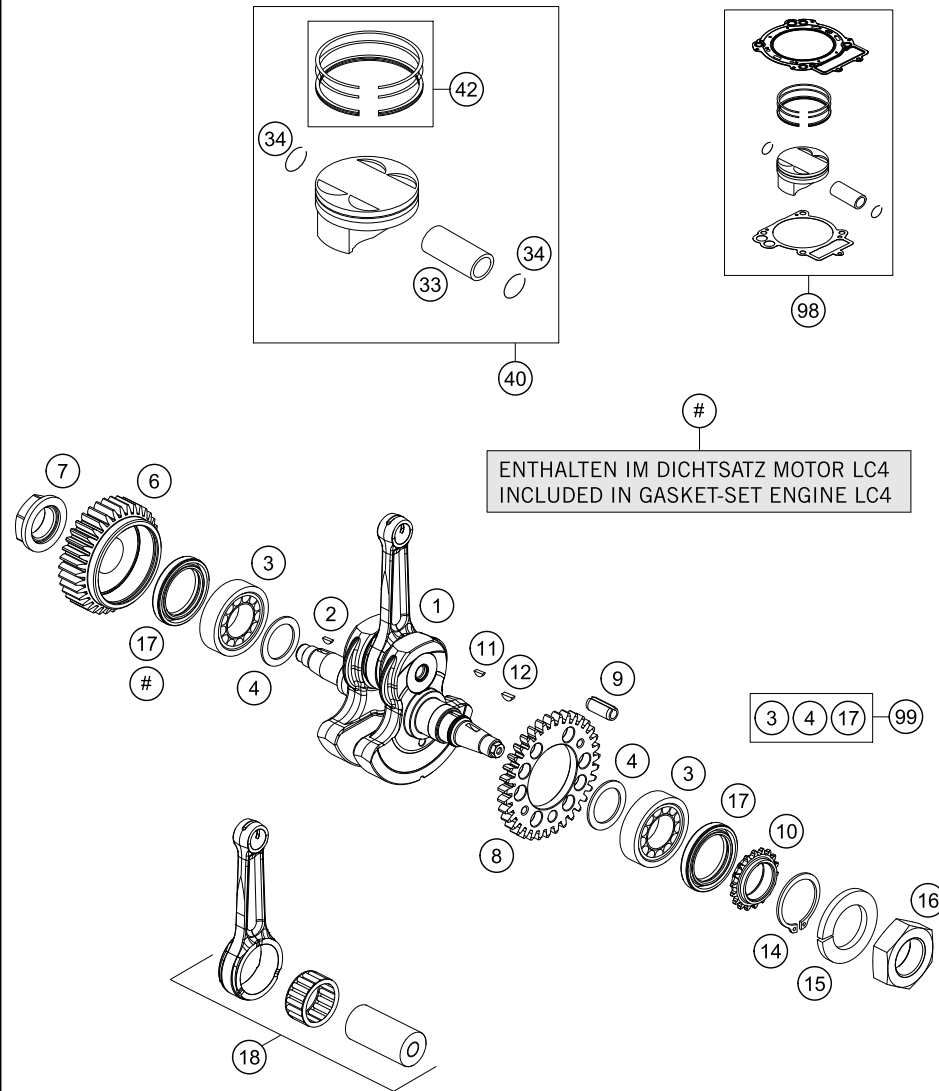
POS	PARTNUMBER	PARTNAME	PIECE
1	75330038100	CYLINDER + PISTON D=102	1
2	0025060256	HH COLLAR SCREW M6X25 TX30	1
3	75030035000	CYLINDER BASE GASKET 07	1
4	0474050100	GROOVED PIN DIN1474 5X10	2

162703040

C162703040

\* NEW PART

X ON DEMAND



ENTHALTEN IM DICHTSATZ MOTOR LC4  
INCLUDED IN GASKET-SET ENGINE LC4

3 4 17 99

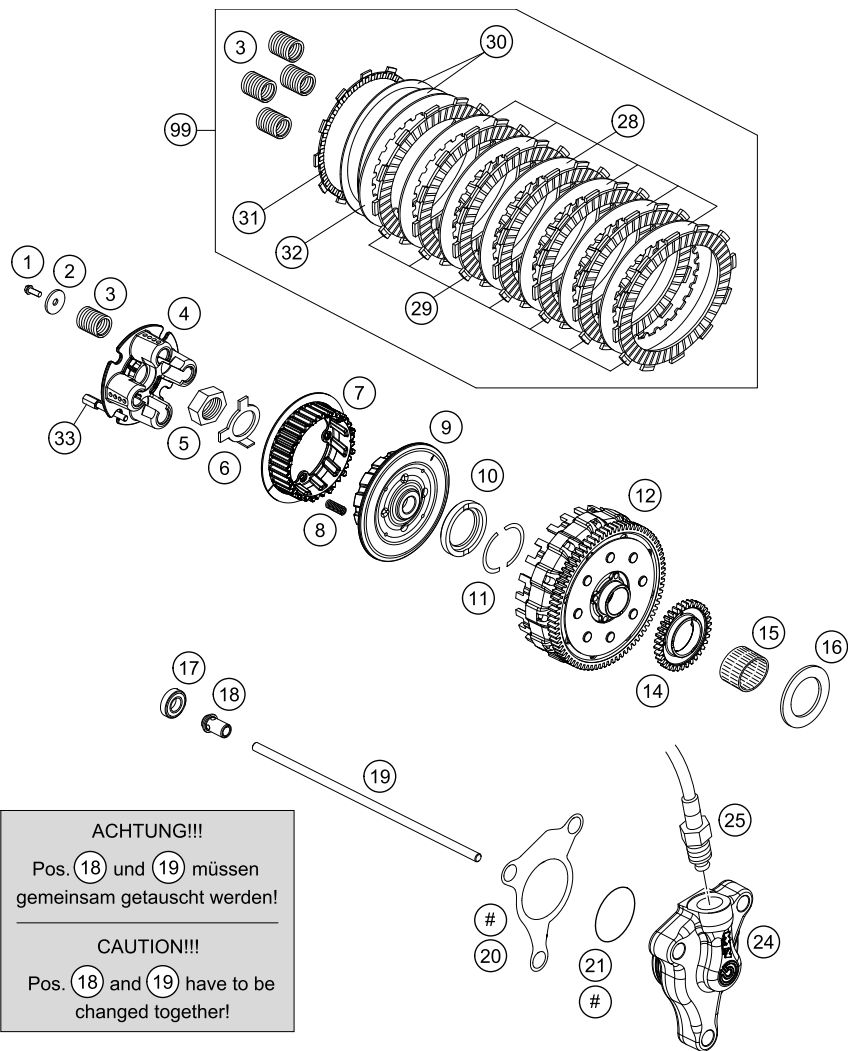
147603060

POS	PARTNUMBER	PARTNAME	PIECE
1	76030018100	CRANKSHAFT CPL.	1
2	0888040050	WOODRUFF KEY DIN6888 4X5X13	1
3	75030018150	CYL.ROLLER BEARING NJ207 ECPC4	2
4	56530081000	SHIM WASHER 36X48X0,10	x
4	56530081100	SHIM WASHER 36X48X0,15	x
4	56530081200	SHIM WASHER 36X48X0,20 STEEL	x
4	56530081300	SHIM WASHER 36X48X0,30	x
6	75032000102	PRIMARY GEAR 36T.	1
7	75030029100	NUT FOR PRIMARY GEAR	1
8	75030055100	DRIVE WHEEL BALANCING SHAFT	1
9	0749080300	TENSION PIN ISO13337 8X30	1
10	75036014100	TIMING PINION	1
11	0888030050	WOODRUFF KEY DIN6888-3X5X13	1
12	6946005	WOODRUFF KEY 5X6,5 HARDED	1
14	0471300151	CIRCLIP DIN0471-30X1,5 NIRO	1
15	58132072000	LOCK WASHER VSK 18	1
16	0936181505	HEXAGON NUT DIN0936-M18X1,5 R.	1
17	0760355070	SHAFT SEAL R.35X50X7B VITON	2
18	75330015144	CON-ROD REPAIR KIT	1
33	61230033000	PISTON PIN D=20 08	1
34	77630074000	CIRCLIP	2
40	75330007100 I	PISTON I CPL. D=102	x
40	75330007100 II	PISTON II CPL. D=102	x
42	75330031144	PISTON RING KIT	1
98	00050000224	PISTON KIT GR. I 690 DUKE12-14	x
98	00050000225	PISTON KIT GR. II 690DUKE12-14	x
99	00050002305	CRANKSHAFT REP. KIT 690	x

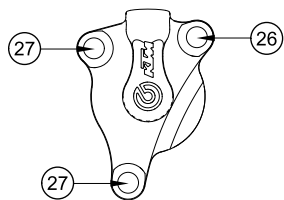
C157653060

\* NEW PART

X ON DEMAND



POS	PARTNUMBER	PARTNAME	PIECE
1	0025050256	HH COLLAR SCREW M5X25 ISA30	4
2	75032006000	SPRING RING 07	4
3	58532080001	CLUTCH SPRING 3,0X33,5	4
4	75032003000	PRESSURE CAP	1
5	60036073150	HEXAGON NUT M20X1,5 H=6MM 05	1
6	75032018000	LOCK WASHER 07	1
7	75032002002	INNER CLUTCH HUB MOVABLE	1
8	75032033000	CLUTCH RELEASE SPRING	4
9	75032002001	INNER CLUTCH HUB FIXED	1
10	75032009000	STEPPED WASHER 07	1
11	75032007000	HALF-WASHER 07	2
12	75032001144	CLUTCH CAGE CPL. 79T	1
14	75032050001	OIL PUMP DRIVE WHEEL 07	1
15	56532095000	NEEDLE BEARING K26X30X22ZW.KSE	1
16	75032017000	WASHER 26X40X2 07	1
17	0625060016	GROOV.BALL BEAR. 6001.2RSR C3	1
18	75032055100	PRESSURE BOLT 08	1
19	75032054200	PUSH ROD 08	1
20	59032065100	% GASKET F. OUTPUT CYLINDER	1
21	0770300015	O-RING 30,00X1,50 NBR 70	1
24	79432061044	OUTPUT CYL. DOT KPL. 27MM	1
25	54732063100	CLUTCH PIPE 250/300 2003	1
26	0025060356	HH COLLAR SCREW M6X35 TX30	1
27	0025060206	HH COLLAR SCREW M6X20 TX30	2
28	75032112000	STEEL DISK 1,5 MM LC4 07	6
29	58332011300	LINING DISK 2,7MM FCC 02	7
30	58632016000	RONDELLA ANTIVIBRAZIONE SET	1
31	75032111100	LINING DISC CUT OUT	1
32	75032112100	STEEL DISK 1,5MM NITRIDED	1
33	75032032000	HOLDING SCREW GMB-M5X35	2
99	75032011110	CLUTCH KIT 690 LC4 08-14	1



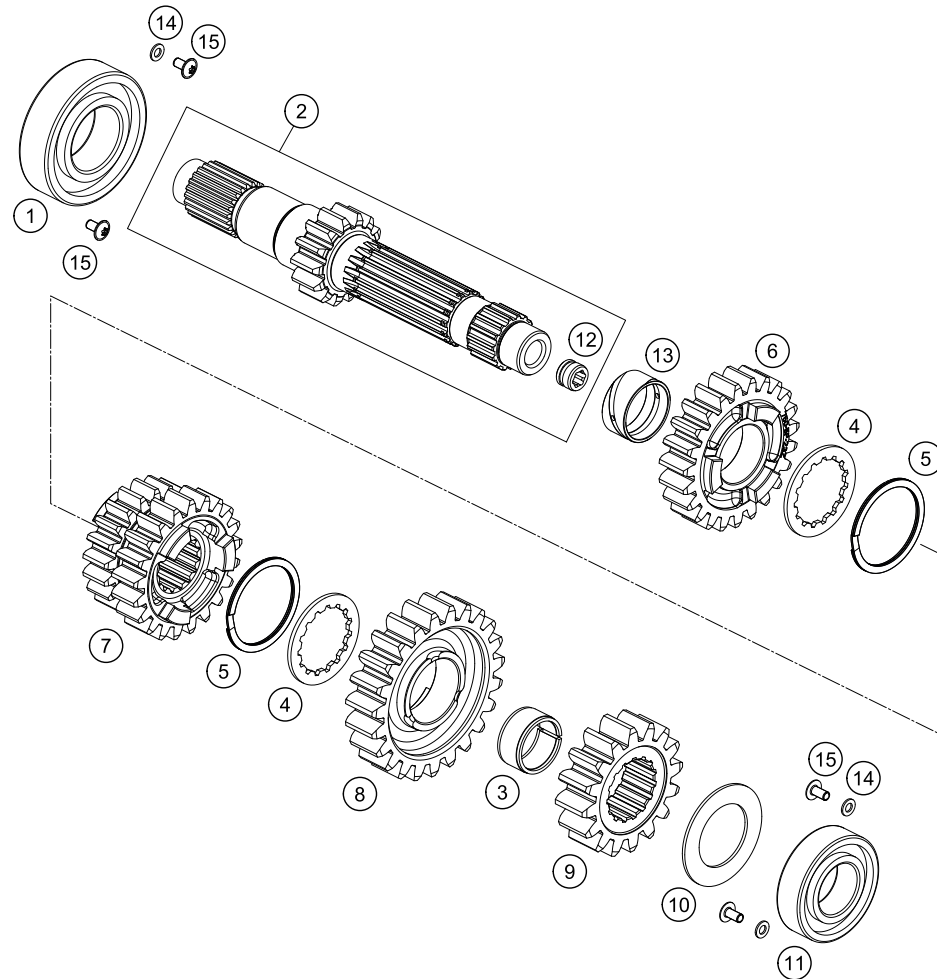
# ENHALTEN IM DICHTSATZ MOTOR  
INCLUDED IN GASKET SET ENGINE

162703210

C162703210

\* NEW PART

X ON DEMAND



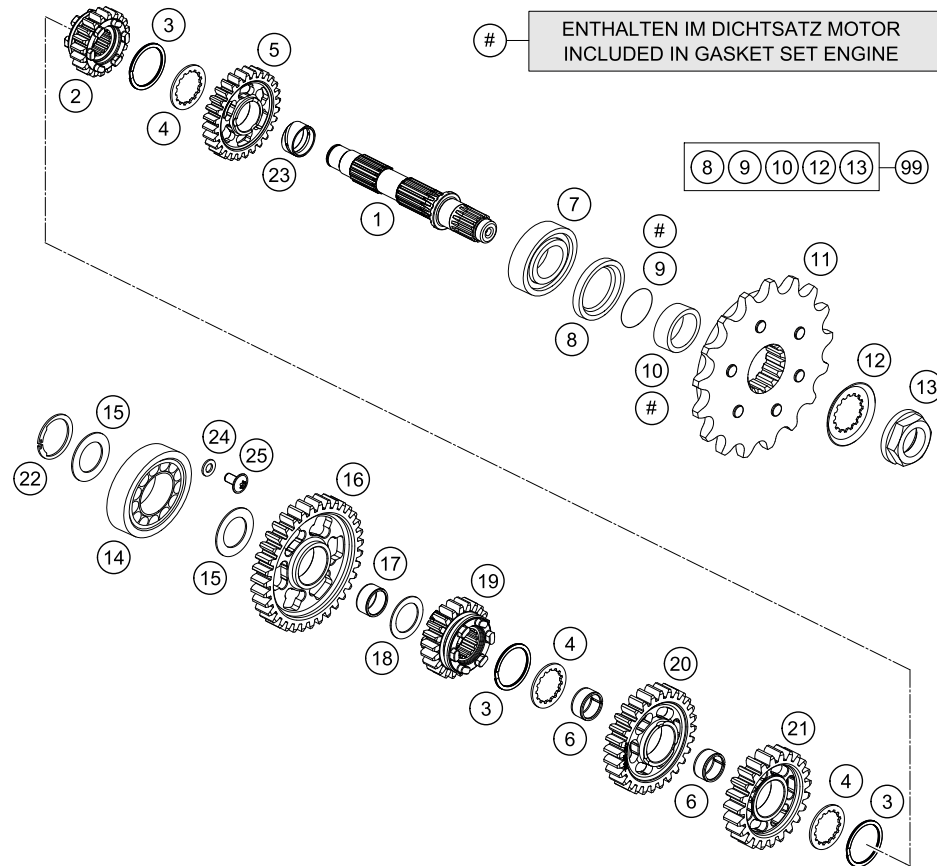
POS	PARTNUMBER	PARTNAME	PIECE
1	06252858161	BALL BEARING 58/28 C4 N	1
2	76233001000	MAIN SHAFT	1
3	0405222613	NEEDLE BEAR. K 22X26X13 TN	1
4	56533016300	STOP DISK 22,7 X 32 X 1,5	2
5	0471025000	CIRCLIP D25	2
6	75033105000	IDLER GEAR 5.G.	1
7	75033003020	3/4TH GEAR MAINSHAFT	1
8	75033006000	IDLER 6. GEAR 07	1
9	75033002000	SOLID GEAR 2.G. 07	1
10	59033080000	SHIM 20X32X1	1
11	0625060044	BALL BEARING 6004 DDUN C4	1
12	77333001160	GUIDE BUSHING	1
13	76233022200	BUSHING 25X28X13	1
14	0021050003	WASHER DIN9021-A 5,3	3
15	073800501002	PAN HEAD SCREW M5X10 TX25	4

162703330

C162703330

\* NEW PART

X ON DEMAND



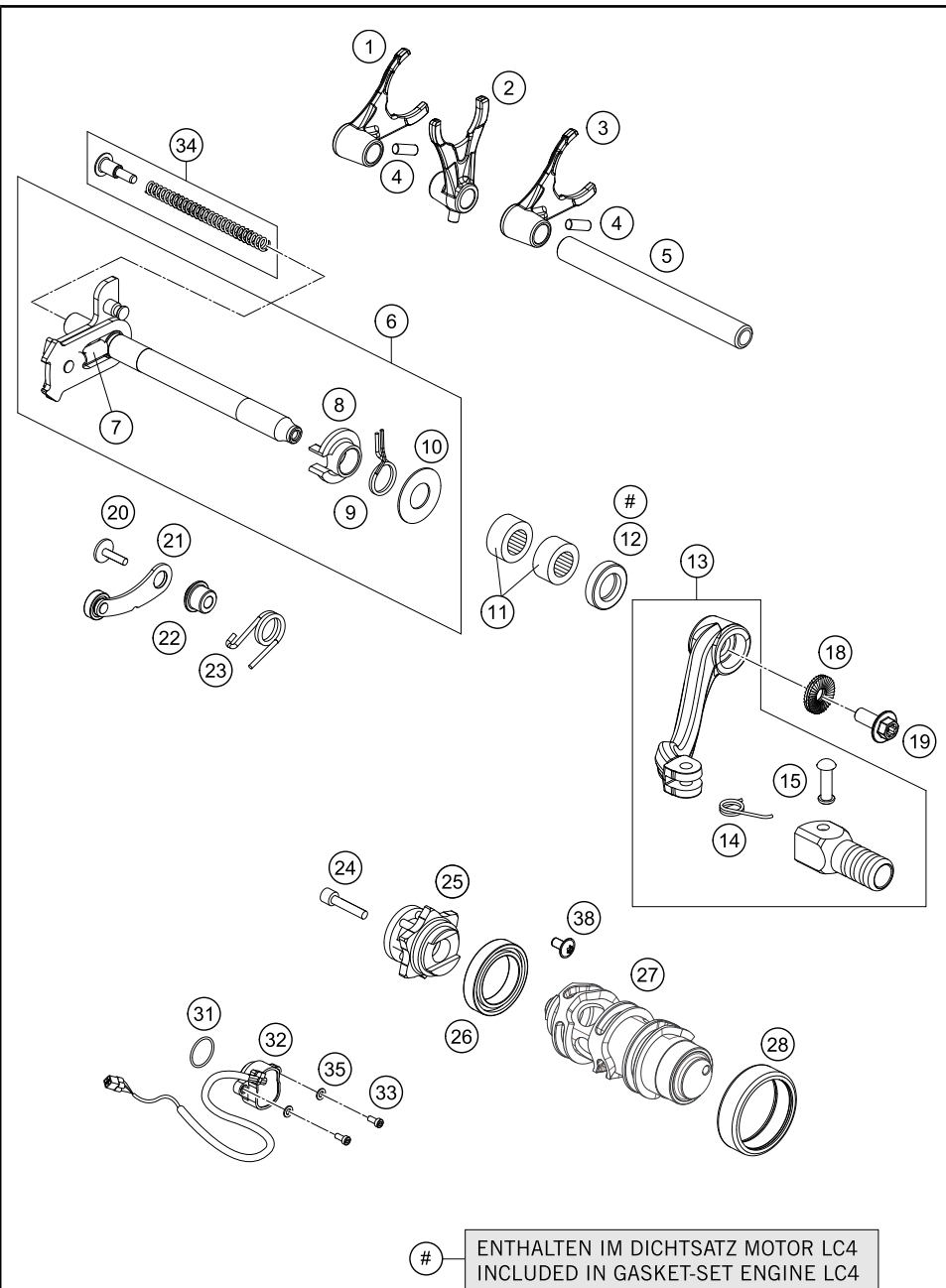
162703360

POS	PARTNUMBER	PARTNAME	PIECE
1	76233010000	COUNTER SHAFT 07	1
2	75033016000	SLIDING GEAR 6TH G. 07	1
3	0471025000	CIRCLIP D25	3
4	56533016300	STOP DISK 22,7 X 32 X 1,5	3
5	76233012100	IDLER 2. GEAR	1
6	0405222613	NEEDLE BEAR. K 22X26X13 TN	2
7	49030023100	CYL.ROLLER BEARING NJ205 C4	1
8	0760324773	SHAFT SEAL R. 32X47X7BSL VITON	1
9	0770020220	O-RING 25,12X1,78 NBR70	1
10	54633014100	SPACER BUSHING 12MM	1
11	58033029115	ENGINE SPROCKET 15 T DAMPED	x
11	58033029116	ENGINE SPROCKET 16 T DAMPED	x
11	58033029117	ENGINE SPROCKET 17 T DAMPED	x
12	51033031000	LOCK WASHER	1
13	58033032200	SPROCKET NUT LC4 03	1
14	0625060044	BALL BEARING 6004 DDUN C4	1
15	59033080000	SHIM 20X32X1	2
16	75033011000	IDLER GEAR 1ST GEAR 07	1
17	56533098000	NEEDLE BEARING K22X26X13H	1
18	54603036000	STOP DISK 22,2X31,7X1	1
19	75033015000	5TH GEAR COUNTERSHAFT 07	1
20	75033013000	IDLER GEAR 3.G 07	1
21	75033014000	IDLER GEAR 4.G 07	1
22	0471200120	CIRCLIP DIN471 20X1,2	1
23	76233022200	BUSHING 25X28X13	1
24	0021050003	WASHER DIN9021-A 5,3	1
25	073800501002	PAN HEAD SCREW M5X10 TX25	1
99	00050000946	COUNTER SHAFT REP.KIT 690	x

C162703360

\* NEW PART

X ON DEMAND



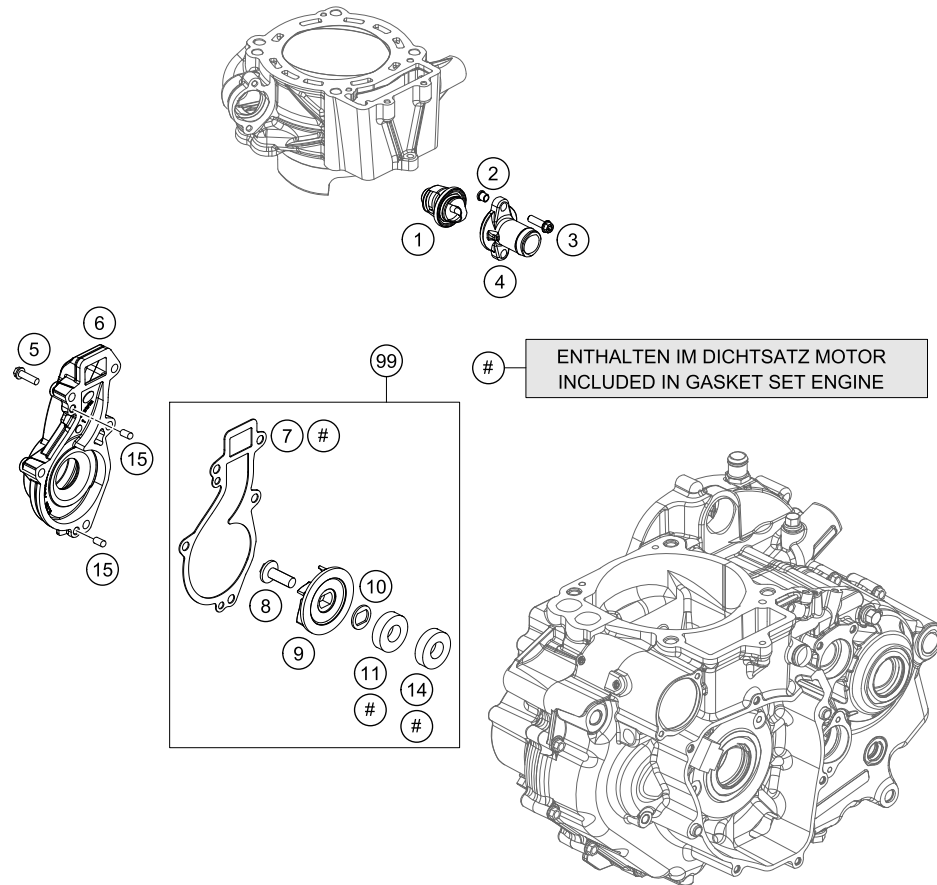
# ENTHALTEN IM DICHTSATZ MOTOR LC4  
INCLUDED IN GASKET-SET ENGINE LC4

162703410

POS	PARTNUMBER	PARTNAME	PIECE
1	75034002100	SHIFT FORK F. SLIDINGGEAR 5 12	1
2	75034001100	SHIFT FORK F. SLIDINGG. 3/4 12	1
3	75034003100	SHIFT FORK F. SLIDINGGEAR 6 12	1
4	0402061480	NEEDLE ROLLER DIN5402 6X14,8	2
5	75034019000	SHIFTRAIL 07	1
6	75034005133	SHIFT SHAFT ASSY	1
7	56534013100	TENSIONING SPRING 0,8MM	1
8	54634020000	SPRING GUIDE	1
9	54834014000	RETURN SPRING 03	1
10	75034050000	STOP DISK 14X30X1,5 STEEL	1
11	54632095000	NEEDLE BEAR.HK 1412 14X20X12	2
12	0760142461	SHAFT SEAL RING 14X24X6B VITON	1
13	75034031000	SHIFT LEVER CPL. 07	1
14	75034032000	SHIFTING LEVER SPRING	1
15	54634031050	BOLT 6X25 FOR SHIFT LEVER	1
18*	50233041500	NORDLOCK WASHER M6	1
19*	0024060156S	HH COLLAR SCREW M6X15 TORX30	1
20	0024060206	HH COLLAR SCREW M6X20 TX30	1
21	75034024044	LOCKING LEVER CPL. 07	1
22	75034052000	SLEEVE FOR LOCKING LEVER 07	1
23	60034023000	ARRESTING LEVER SPRING 03	1
24	0012060303	% AH SCREW DIN6912 M6X30 8.8	1
25	75034015000	SHIFT DRUM LOCATING CPL. 07	1
26	0625618050	BALL BEARING 61805 C3	1
27	76034112044	SHIFTING DRUM CPL.	1
28	0618354212	NEEDLE BEAR HK3512 35X42X12	1
31	07700240251	O-RING 24X2,5 VITON	1
32	60211023100	GEAR-POSITION SENSOR	1
33	0984050163S	CYL. SCREW DIN6912 M5X16 8.8	2
34	75034007044	SPRING F. SHIFTING SHAFT CPL.	1
35	0125050003	WASHER DIN0125-A 5,3	2
38*	073800501002	PAN HEAD SCREW M5X10 TX25	1

C167653410

\* NEW PART X ON DEMAND



POS	PARTNUMBER	PARTNAME	PIECE
1	75035017000	THERMOSTAT 07	1
2	60040027050	SUPPORTING SLEEVE 03	2
3	0025060206	HH COLLAR SCREW M6X20 TX30	2
4	75035016000	THERMOSTATCOVER 07	1
5	0025060306	HH COLLAR SCREW M6X30 TX30	5
6	7503505210033	WATERPUMP COVER 10	1
7	75035053000	WATER PUMP COVER GASKET 07	1
8	0024060156	HH COLLAR SCREW M6X15 TX30	1
9	75035055000	WATER PUMP ROTOR 07	1
10	60035055150	FORM WASHER 16X1 NIRO 03	1
11	0760123071	SHAFT SEAL RING. 12X30X7 VITON	1
14	0760123073	SHAFT SEAL RING 12X30X7 PTFE	1
15	0474050100	GROOVED PIN DIN1474 5X10	2
99	75035055010	WATER PUMP REP. KIT 690	x

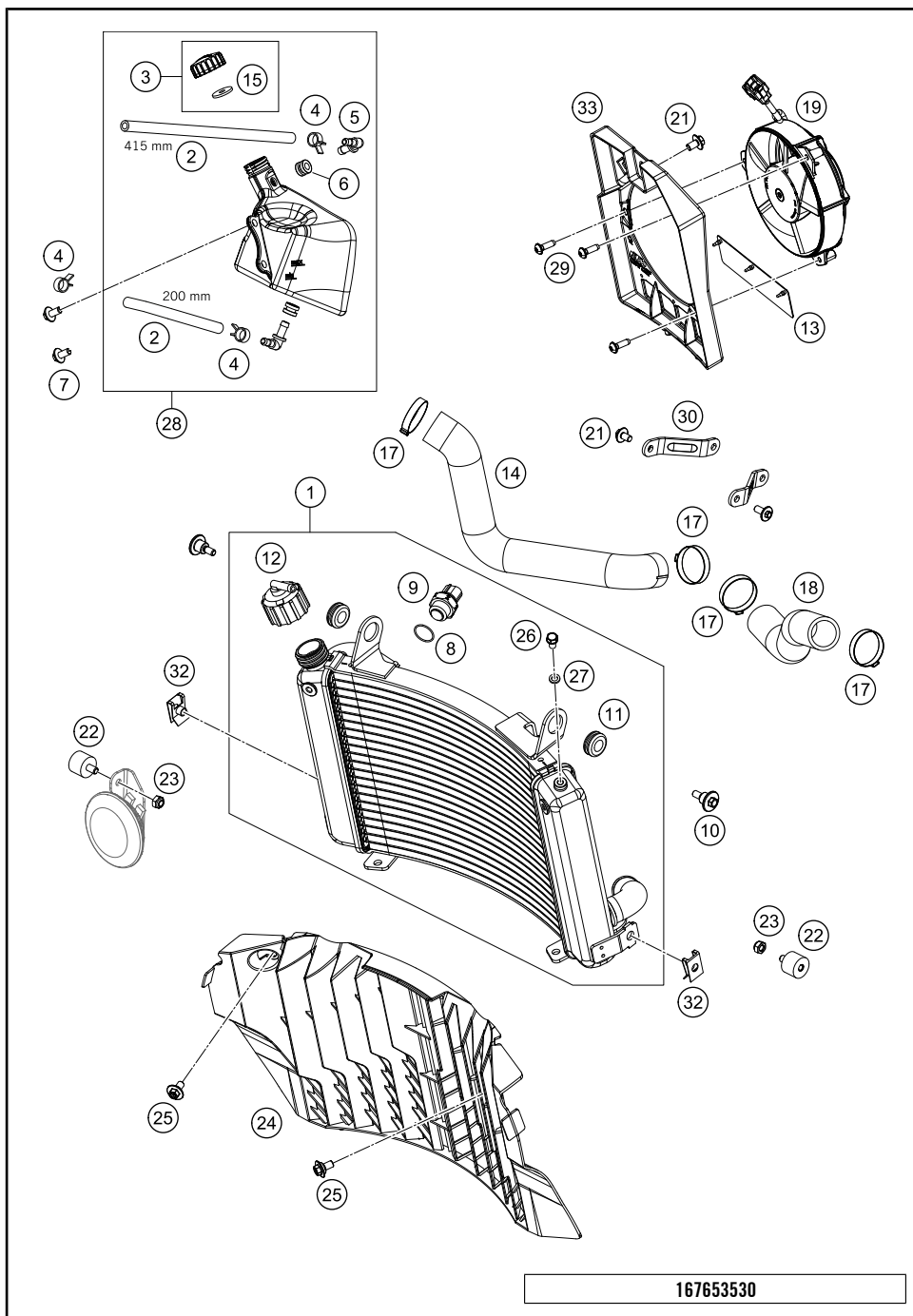
# ENTHALTEN IM DICHTSATZ MOTOR  
INCLUDED IN GASKET SET ENGINE

162703510

C162703510

\* NEW PART

X ON DEMAND



167653530

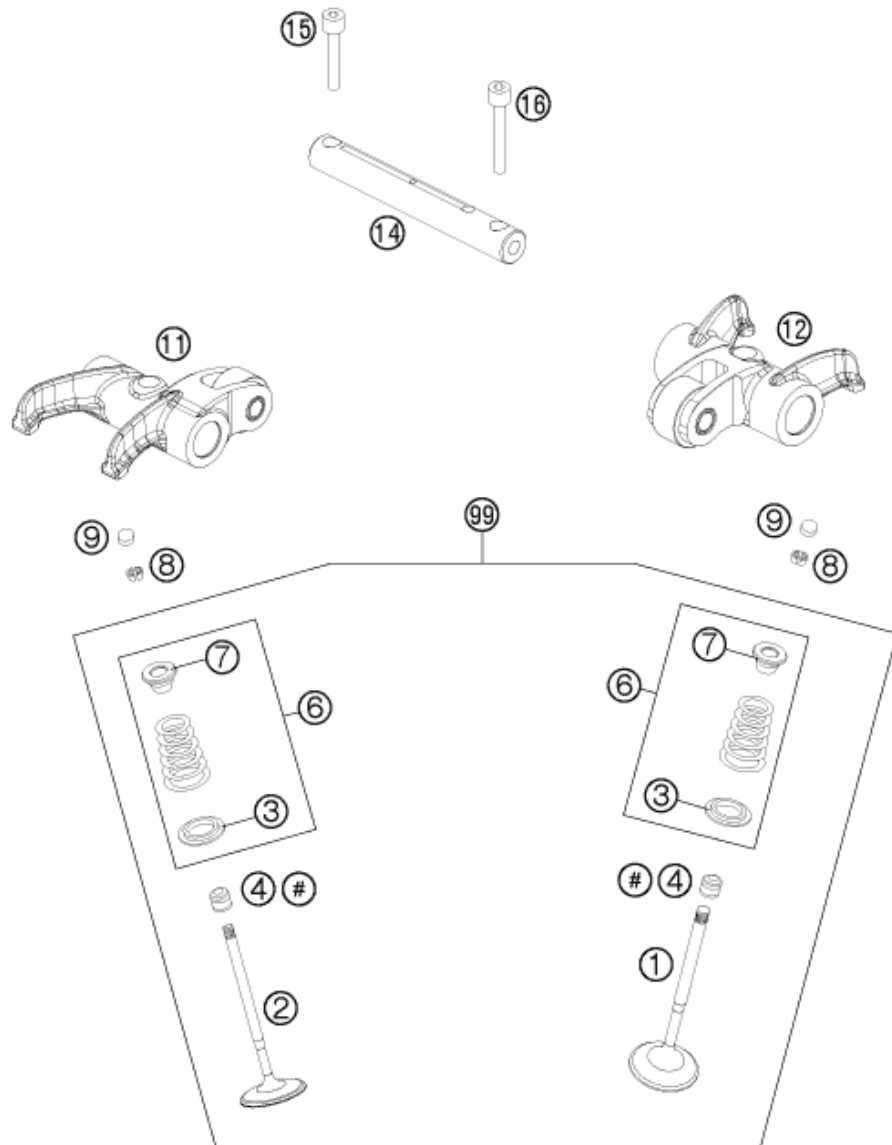
POS	PARTNUMBER	PARTNAME	PIECE
1	76535010300	RADIATOR	1
2	60035067001	HOSE 6X10 EPDM 03	x
3	60335066044	PLUG F. EXPANSION TANK	1
4	58007117000	YDNAC-CLAMP 10107 10MM	3
5	60035068000	ANGLE CONNECTION EXPANS. TANK	2
6	60035069000	RUBBER GROMMET 6X9X13MM 04	2
7	0023060123	COLLAR SCREW M6X12 TX	2
8	0770017015	O-RING 17X1,5 NB75	1
9	60035045000	THERMOSWITCH LC8 102DG '03	1
10	60038083000	SCREW OIL TANK FIXING 03	2
11	41001052000	RUBBER SLEEVE D=12MM	2
12	62535009000	RADIATOR CAP 1,4 BAR	1
13	62635044050	FAN CLACK RUBBER 08	1
14	76535025100	COOLING HOSE	1
15	60335066010	RUBBER GASKET	1
17	00050325706	VARIABLE ONE-EAR CLAMP 32,5MM	4
18	76535024000	RADIATOR HOSE 08	1
19	62635041000	VENTILATOR	1
21	0024060106	HH COLLAR SCREW M6X10 TX30	3
22	43205062100	RUBBER GROMMET 20X15-M6X10 (1)	2
23	0985060003	SELF LOCK. NUT DIN0985-M 6	2
24	76535140000	RADIATOR GUARD	1
25	83008000012	SPECIAL SCREW M6X12X3	2
26	0025060126	HH COLLAR SCREW M6X12 TX30	1
27	60035048000	ALU-GASKET 6X10X1.5	1
28	76535065000	EXPANSION TANK CPL. 07	1
29	0081050161	EJOT PT SCREW K50X16 1451	3
30	76535001000	RETAINING PLATE RADIATOR 08	2
32	54603048100	RANGE CHANGE METAL NUT M6	2
33	75335044000	FAN COVER	1

C167653530

\* NEW PART

X ON DEMAND





# ENTHALTEN IM DICHTSATZ MOTOR LC4  
INCLUDED IN GASKET-SET ENGINE LC4

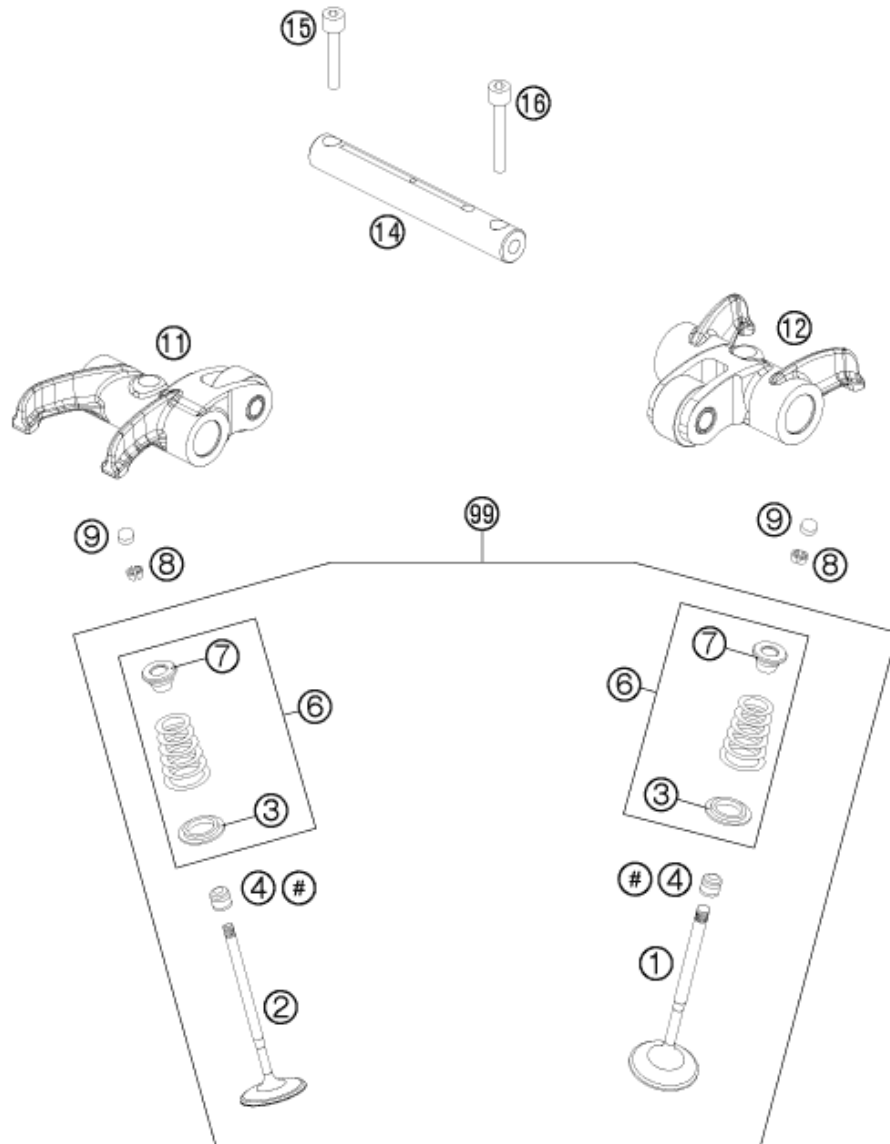
117653610

POS	PARTNUMBER	PARTNAME	PIECE
1	75036030000	INTAKE VALVE 07	2
2	75036031000	EXHAUST VALVE 07	2
3	75036036000	VALVE SPRING HOLDER 07	4
4	59036027000	VALVE-STEM SEALING RACING	4
6	75036028044	VALVE SPRING KIT 07	4
7	75036032000	VALVE SPRING RETAINER 07	4
8	60036033000	VALVE COLLET MK6 03	8
9	60036035185	SHIM D=10/1,85 03	X
9	60036035190	SHIM D=10/1,90 03	X
9	60036035195	SHIM D=10/1,95 03	X
9	60036035200	SHIM D=10/2,00 03	X
9	60036035205	SHIM D=10/2,05 03	X
9	60036035210	SHIM D=10/2,10 03	X
9	60036035215	SHIM D=10/2,15 03	X
9	60036035220	SHIM D=10/2,20 03	X
9	60036035225	SHIM D=10/2,25 03	X
9	60036035230	SHIM D=10/2,30 03	X
9	60036035235	SHIM D=10/2,35 03	X
9	60036035240	SHIM D=10/2,40 03	X
9	60036035245	SHIM D=10/2,45 03	X
9	60036035250	SHIM D=10/2,50 03	X
9	60036035255	SHIM D=10/2,55 03	X
9	60036035260	SHIM D=10/2,60 03	X
9	60036035265	SHIM D=10/2,65 03	X
9	60036035270	SHIM D=10/2,70 03	X
9	60036035275	SHIM D=10/2,75 03	X
9	60036035280	SHIM D=10/2,80 03	X
9	60036035285	SHIM D=10/2,85 03	X
9	60036035290	SHIM D=10/2,90 03	X
9	60036035295	SHIM D=10/2,95 03	X
9	60036035300	SHIM D=10/3,00 03	X
9	60036035305	SHIM D=10/3,05 03	X
9	60036035310	SHIM D=10/3,10 03	X
9	60036035315	SHIM D=10/3,15 03	X
9	60036035320	SHIM D=10/3,20 03	X
9	60036035330	SHIM D=10/3,3	X
11	75036061144	ROCKER ARM EXHAUST CPL.	1
12	75036060144	ROCKER ARM INLET COMPL.	1

C157653610

\* NEW PART

X ON DEMAND



# ENTHALTEN IM DICHTSATZ MOTOR LC4  
INCLUDED IN GASKET-SET ENGINE LC4

117653610

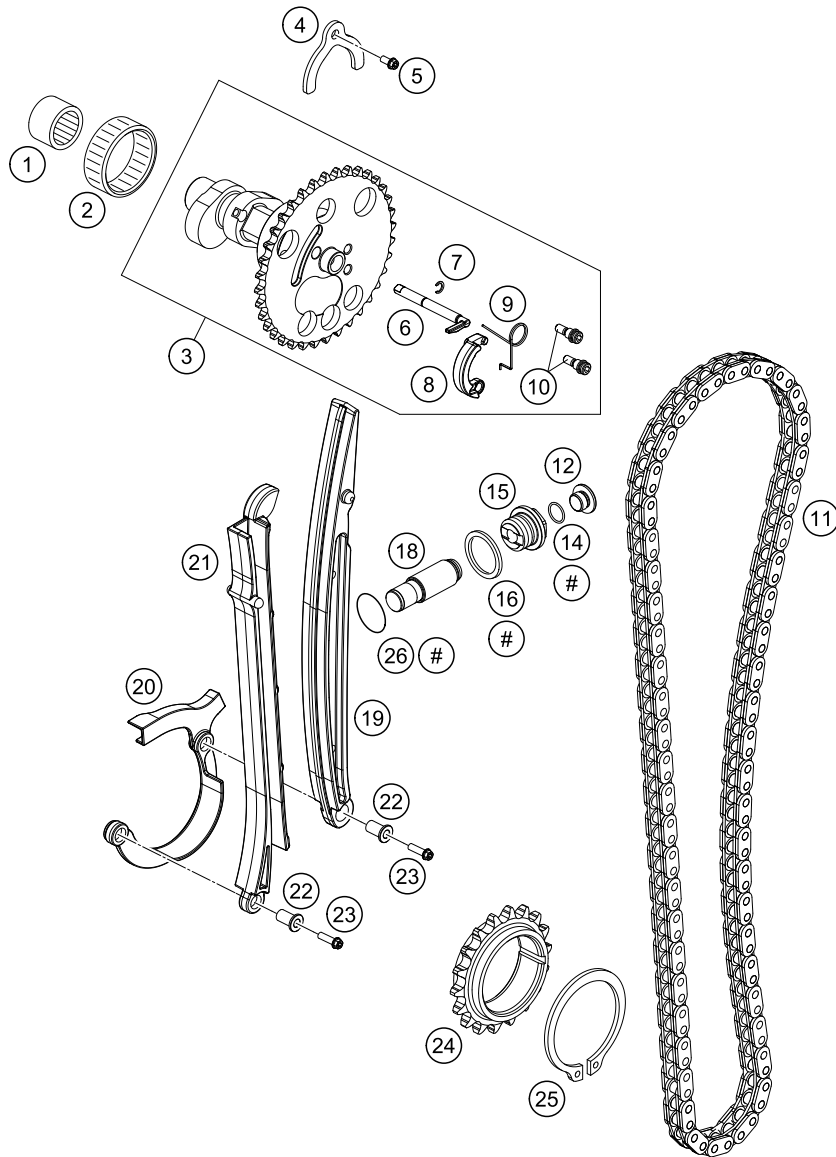
POS	PARTNUMBER	PARTNAME	PIECE
14	75036056000	ROCKER ARM SHAFT 07	2
15	0912060306	AH SCREW DIN912 M6x30	2
16	0912060406	AH SCREW DIN912 M 6X40	2
99	75036030010	VALVE KIT 690 LC4 07-14	x

C157653610

\* NEW PART

X ON DEMAND

# ENTHALTEN IM DICHTSATZ MOTOR  
INCLUDED IN GASKET SET ENGINE



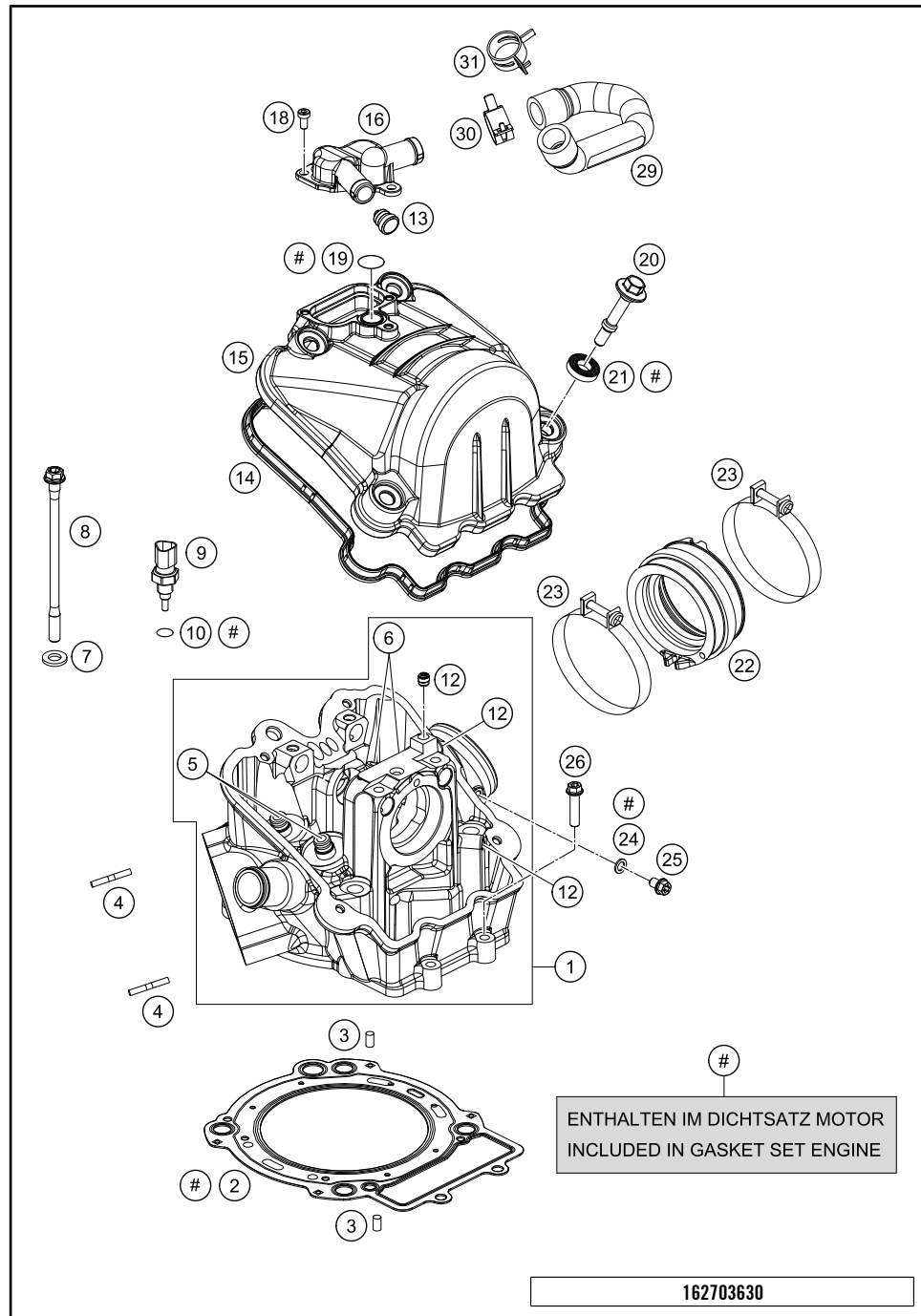
162703620

POS	PARTNUMBER	PARTNAME	PIECE
1	0618182414	NEEDLE SLEEVE HK1814RS18/24/14	1
2	0618404712	NEEDLE SLEEVE HK4012B40X47X12	1
3	76536010144	CAMSHAFT CPL.	1
4	75036010050	CAMSHAFT HOLDER 07	1
5	0025060126	HH COLLAR SCREW M6X12 TX30	1
6	75036016000	AUTO DECOMPRESSION 07	1
7	75036016050	HALF MOON RING H6-BLS 07	1
8	75036015000	AUTO DECO WEIGHT 07	1
9	75036017000	SPRING FOR AUTO DECOMPR. 07	1
10	75036019000	DECO SCREW 07	2
11	76036013000	TIMING CHAIN	1
12	76636080000	PLUG	1
14	0770010010	O-RING 10,00X1,00 NBR 70 SH	1
15	75036008000	SCREW PLUG CHAIN ADJ. 07	1
16	0603202702	CU SEAL-RING 20X27X1	1
18	77036003000	CHAIN ADJUSTER HYD. 05	1
19	75036002000	TENSIONER RAIL 07	1
20	75036018000	SECURING GUIDE 07	1
21	75036001000	GUIDE RAIL 07	1
22	75036018050	SUPPORTING SLEEVE 07	2
23	0025060306S	HH COLLAR SCREW M6X30 TX30	2
24	75036014100	TIMING PINION	1
25	0471300151	CIRCLIP DIN0471-30X1,5 NIRO	1
26	0770180020	O-RING 18,00X2,00 NBR 70	1

C162703620

\* NEW PART

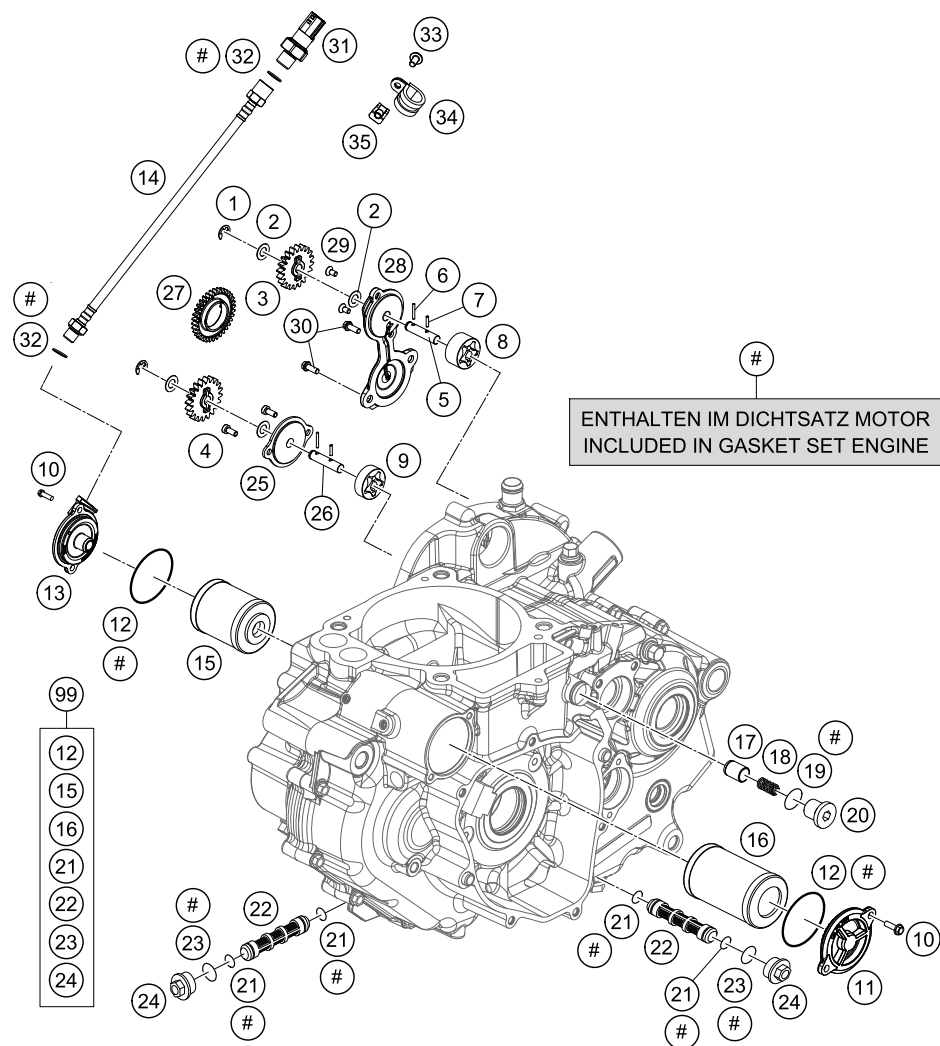
X ON DEMAND



POS	PARTNUMBER	PARTNAME	PIECE
1	7603602004452	CYLINDER HEAD CPL.	1
2	76030036000	CYLINDER HEAD GASKET	1
3	0474050100	GROOVED PIN DIN1474 5X10	2
4	0835080256	STUD DIN0835-M 8X25 10.9	2
5	60036026101	VALVE GIUDE EXHAUST	2
6	60036025101	VALVE GIUDE INTAKE	2
7	60036078050	SHIM 10,2X19X1,5MM 05	4
8	75036079000	CYLINDERHEAD SCREW M10X168WS14	4
9	75035047000	TEMPERATURE SENSOR WATER 07	1
10	0770100020	O-RING 10,00X2,00 SILCONE	1
12	59030296000	SCREW PLUG	3
13	76036052051	SEALING PLUG	1
14	75036053000	VALVE COVER GASKET 07	1
15	75036052000	VALVE COVER 07	1
16	75036052050	BREATHER COVER 07	1
18	0025050106	COLLAR SCREW M5X10 ISA30	3
19	0770150151	O-RING 15,00X1,50 VITON	1
20	75036055000	VALVE COVER SCREW 05	4
21	75036052010	DECOUPLING ELEMENT 07	4
22	75036144000	RUBBER SLEEVE INTAKE FLANGE	1
23	75036047000	HOSE CLAMP GEMI 70MM	2
24	0603061001	CU-SEAL RING DIN7603-6X10X1	1
25	0025060086	HH COLLAR SCREW M6X8 TX30	1
26	0025060256	HH COLLAR SCREW M6X25 TX30	2
29	76530088100	PREFORMED HOSE OIL STRAINER	1
30	00049200121	CLAMP STD DN20	1
31	00049210121	CLAMP 21X12 STD-DES	1

C162703630

\* NEW PART X ON DEMAND



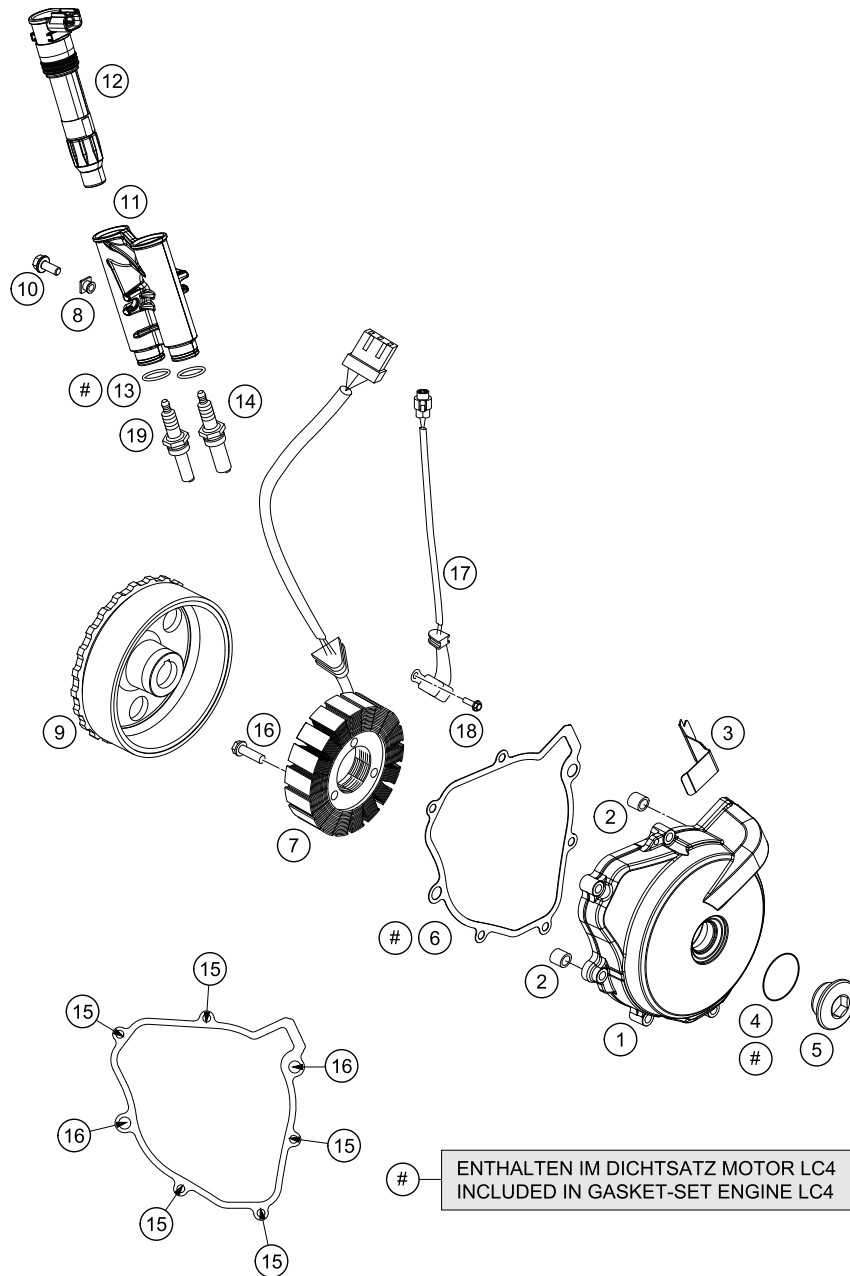
ENTHALTEN IM DICHTSATZ MOTOR  
INCLUDED IN GASKET SET ENGINE

POS	PARTNUMBER	PARTNAME	PIECE
1	0799060000	TAB WASHER DIN6799-RS 6,0	2
2	58038007755	STOP DISK 8,1 X 15 X 0,5	4
3	75038001020	OIL PUMP GEAR 20-T	2
4	07984050100	AH SCREW DIN7984 M5X10 A2	2
5	75038002000	OIL PUMP SHAFT 07	1
6	0402251980	NEEDLEROL.DIN5402 NRA 2,5X19,8	2
7	0402251180	NEEDLE ROLLER DIN5402 2,5X11,8	2
8	77038011100	OIL PUMP ROTOR COMPL. 15MM	1
9	59038011110	OIL PUMP ROTOR COMPL. 10MM	1
10	0025050166	HH COLLAR SCREW M5X16 TX30	4
11	75038041200	OILFILTER CAP	1
12	07700390261	O-RING 39,34X2,62	2
13	76038041000	OILFILTER COVER	1
14	76538034000	OIL PIPE	1
15	75038046100	OIL FILTER SHORT	1
16	58038005100	OIL FILTER LONG	1
17	58038028000	VALVE PISTON D=10MM	1
18	58538023000	OIL PRES.SPRING 5 BAR RED 2001	1
19	58038022000	CU-SEAL RING DIN7603-12X18X1,5	1
20	0908120153	PLUG DIN0908-M12X1,5	1
21	07701250151	O-RING 12,5X1,5 VITON V75	4
22	59038016100	OIL SCREEN	2
23	0770020170	O-RING 17,17X1,78 GLO	2
24	59038017100	PLUG M20X1,5 WS=13	2
25	75038003000	OIL PUMP COVER 07	1
26	75038004000	OIL PUMP SHAFT 07	1
27	75032050001	OIL PUMP DRIVE WHEEL 07	1
28	76038003000	OIL PUMP COVER	1
29	0019050163S	INT. TORX FLAT HEAD M5X16 8.8	2
30	0025060166S	HH COLLAR SCREW M6X16 ISA 30	2
31	61238091000	OIL PRESSURE SWITCH "BITRON"	1
32	0603100141	COPPER GASKET DIN7603-10X14X1	2
33	58605083014	SCREW M5X14 TORX 25 07	1
34	49007439000	CLAMP RSGU 15/12	1
35	69008021080	RANGE CHANGE METAL NUT M5	1
99	75038046110	OILFILTER SERVICEKIT 690 12-14	x

162703810

C162703810

\* NEW PART X ON DEMAND



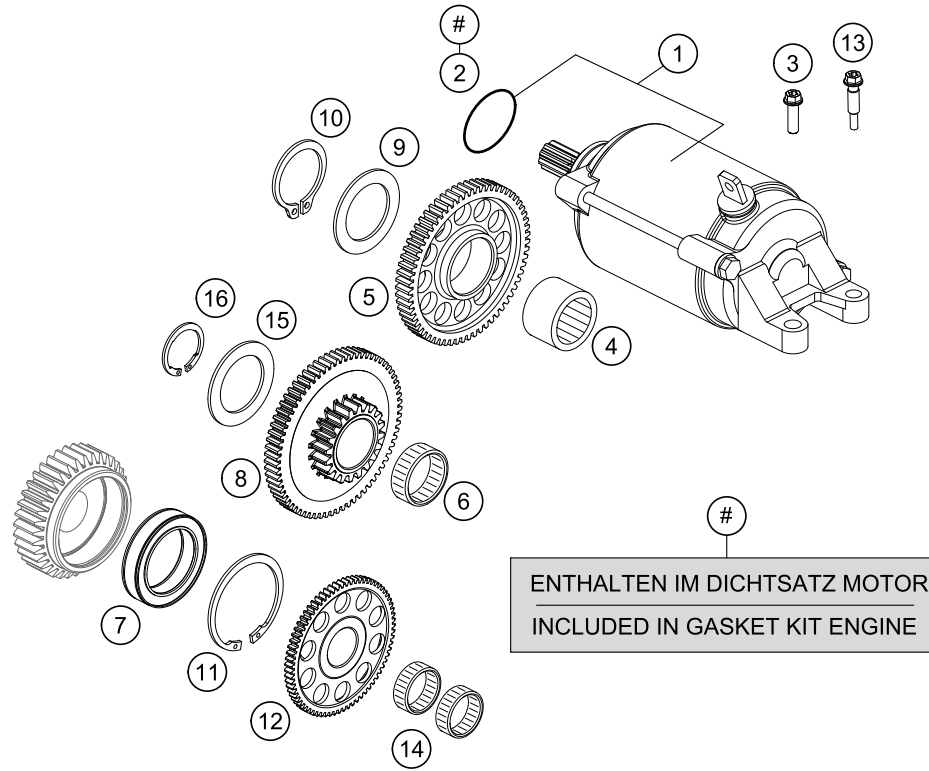
POS	PARTNUMBER	PARTNAME	PIECE
1	7503000210041	IGNITION COVER	1
2	49030090000	DOWEL 9,8 X 7 X 10	2
3	60039040020	CABLE SUPPORT GENERATOR 03	1
4	07700240251	O-RING 24X2,5 VITON	1
5	6003009400030	SCREW PLUG M24X1,5 PA 6.6	1
6	75030040000	IGNITI.COVER GASKET 07	1
7	75039004100	STATOR	1
8	76036075050	INSET	2
9	75039005200	ROTOR	1
10	0025060166	HH COLLAR SCREW M6X16 TX30	2
11	76036075000	STICK COIL HOLDER	1
12	76039006000	STICK COIL	2
13	0770180020	O-RING 18,00X2,00 NBR 70	2
14	60139093000	SPARK PLUG M12X1,25 "8"	1
15	0025060256	HH COLLAR SCREW M6X25 TX30	5
16	0025060306	HH COLLAR SCREW M6X30 TX30	5
17	75039034000	PULSER COIL	1
18	59009062016	SPECIAL SCREW M6X16 WS=8 10.9	2
19	69139093000	SPARK PLUG NGK "LMAR7A-9"	1

157653910

C157653910

\* NEW PART

X ON DEMAND

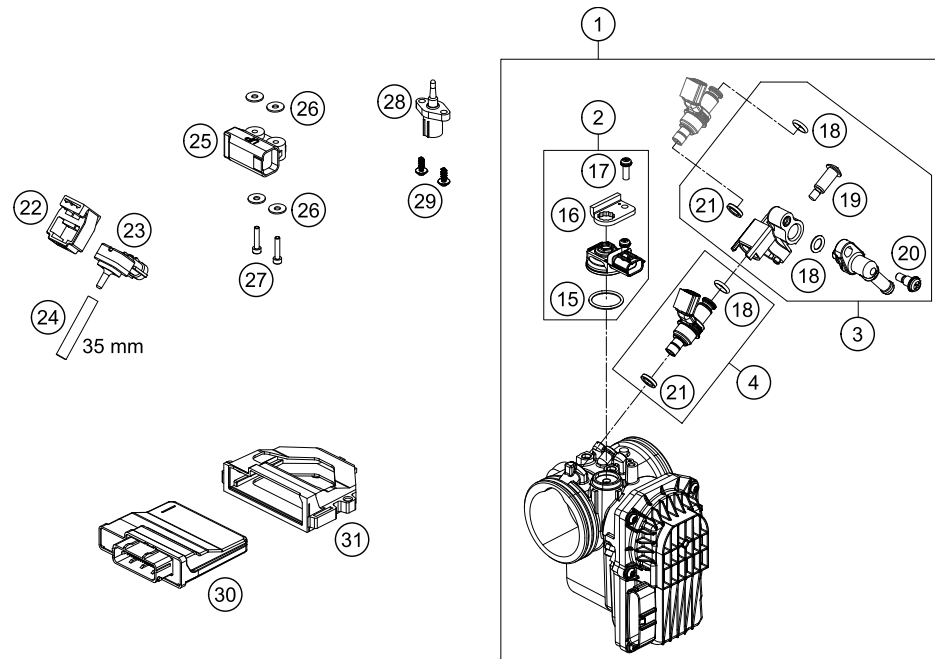


POS	PARTNUMBER	PARTNAME	PIECE
1	75040001000	E-STARTER ENGINE CPL. 07	1
2	0770250030	O-RING 25,00X3,00 NBR 70	1
3	0025060206	HH COLLAR SCREW M6X20 TX30	1
4	0618172312	NEEDLE SLEEVE HK 1712 17X23X12	1
5	75040022100	STARTER INTERMEDIATE GEAR	1
6	0405172117	NEEDLE BEARING K17X21X17	1
7*	76640026000	ONE WAY CLUTCH	1
8	75040015100	TORQUE LIMITER	1
9	54633090000	STOP DISK 17,2X25X1	1
10	0471170010	CIRCLIP DIN0471-17X1	1
11	0472056200	CIRCLIP DIN0472 J56	1
12	75040020100	FREE WHEEL GEAR	1
13	76240030000	HH COLLAR SCREW M 6X30	1
14	0405263013	NEEDLE BEAR. K 26X30X13	2
15	75040015007	STOP DISK 17,2X22X1	1
16	0471170100	CIRCLIP DIN 0471-17X1	1

167664010

C167654010

\* NEW PART X ON DEMAND



POS	PARTNUMBER	PARTNAME	PIECE
1	76041001000	THROTTLE BODY	1
2	75041085044	MAP SENSOR CPL. 07	1
3	75041013044	FUEL RAIL ASSY SET 07	1
4	76041023044	FUEL INJECTOR ASSY SET	1
15	75041085010	O-RING	1
16	75041085020	PLATE, STAY	1
17	75041085030	SCREW WASHER	1
18	75041023020	O-RING 7,2x2,2	2
19	75041013060	SCREW SHOULDER	1
20	75041013010	SCREW SHOULDER	1
21	75041023010	SEAL RING	1
22	61041085150	RUBBER SUPP. PRESSURE SENS. 06	1
23	61041085100	PRESSURE SENSOR 06	1
24	60031098001	HOSE 3,2X8,5 PER METER	x
25	61041088000	ROLLOVER SENSOR 05	1
26	61041088050	SHIM 4,3X15X1,25MM GALVANIZED	4
27	0912040253	AH SCREW DIN0912-M 4X25	2
28	61041080000	AMBIENT-AIR TEMPERATURE SENSOR	1
29	0081050121	SCREW FOR PLASTIC K50X12 T20	2
30	76041031000	ELECTRONIC CONTROL UNIT	1
31	76541030000	ECU RUBBER BRACKET	1

147654110

C157654110

\* NEW PART

X ON DEMAND



A large, empty rectangular box with a thin black border, occupying the majority of the page. It is intended for the user to write their notes.

A large, empty rectangular box with a thin black border, occupying the majority of the page. It is intended for the user to write their notes.



WWW.KTM.COM



KTM Sportmotorcycle GmbH  
5230 Mattighofen, Austria  
[www.ktm.com](http://www.ktm.com)



**KTM**\_POWERPARTS

**KTM**\_POWERWEAR

**KTM**\_ORIGINAL SPARE PARTS



3CM088525PEN

Art. Nr.: 3CM088525PEN 17. Feb 2016