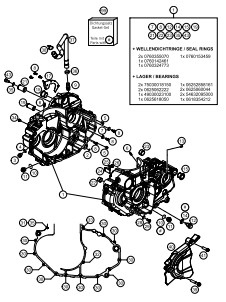
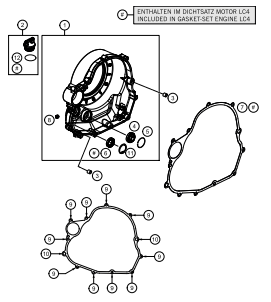
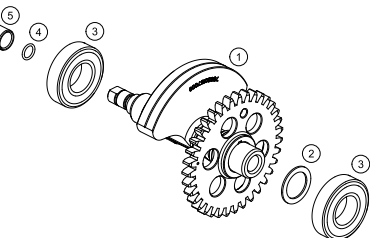
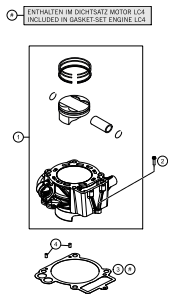
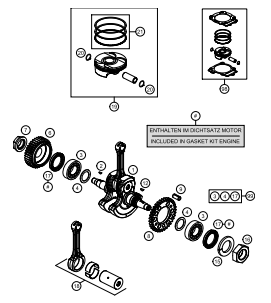
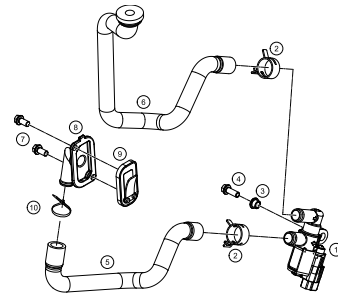
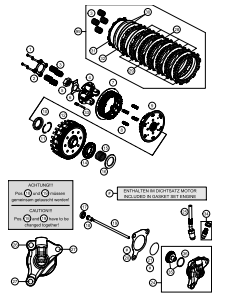
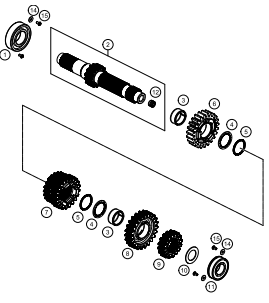
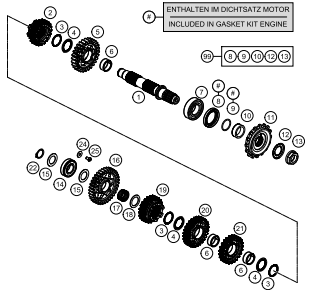
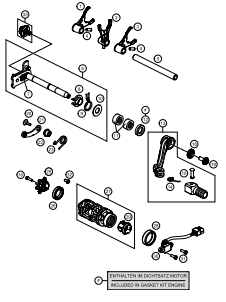
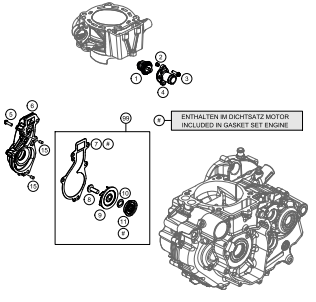
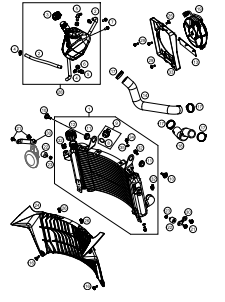
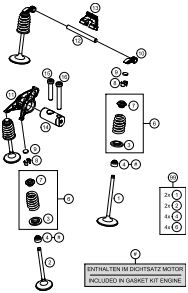
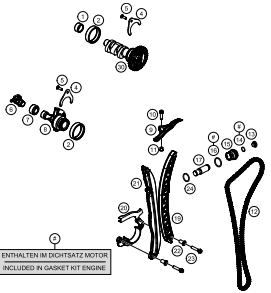
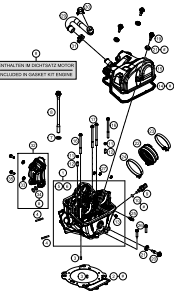
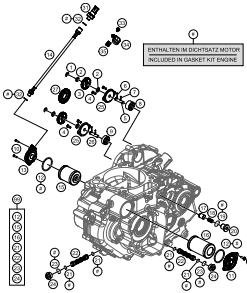
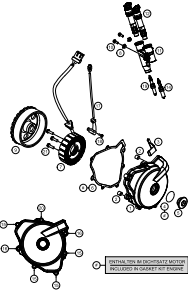
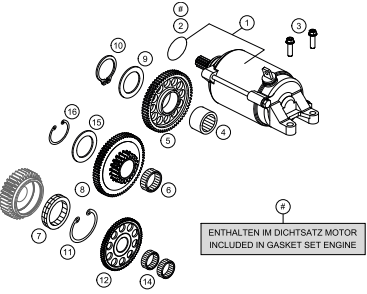
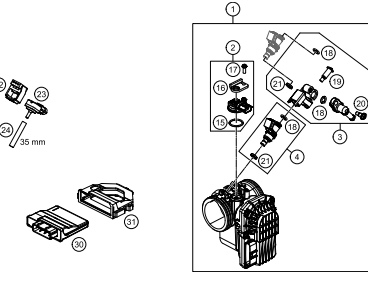



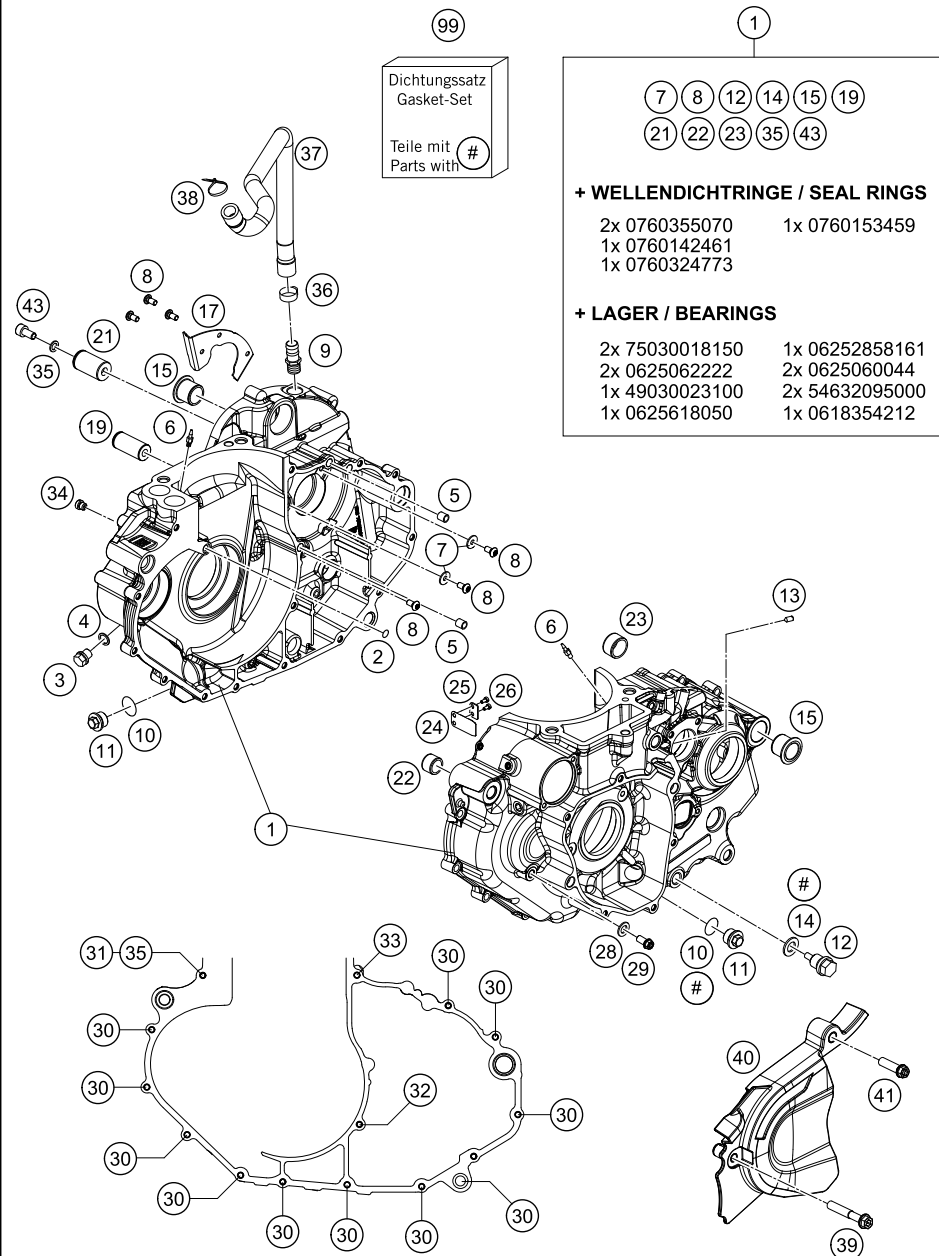
690 ENDURO/SMC-R 2020

ART.-NR.: 088525TEN



<p>ENGINE CASE</p>  <p>3</p>	<p>CLUTCH COVER</p>  <p>5</p>	<p>BALANCER SHAFT</p>  <p>6</p>	<p>CYLINDER</p>  <p>7</p>
<p>CRANKSHAFT, PISTON</p>  <p>8</p>	<p>SECONDARY AIR SYSTEM SAS</p>  <p>9</p>	<p>CLUTCH</p>  <p>10</p>	<p>TRANSMISSION I - MAIN SHAFT</p>  <p>11</p>
<p>TRANSMISSION II - COUNTERSHAFT</p>  <p>12</p>	<p>SHIFTING MECHANISM</p>  <p>13</p>	<p>WATER PUMP</p>  <p>14</p>	<p>COOLING SYSTEM</p>  <p>15</p>

<p>VALVE DRIVE</p>  <p>16</p>	<p>TIMING DRIVE</p>  <p>18</p>	<p>CYLINDER HEAD</p>  <p>19</p>	<p>LUBRICATING SYSTEM</p>  <p>20</p>
<p>IGNITION SYSTEM</p>  <p>21</p>	<p>ELECTRIC STARTER</p>  <p>22</p>	<p>THROTTLE BODY</p>  <p>23</p>	
	 <p>All information contained is without obligation. KTM Sportmotorcycle GmbH particularly reserves the right to modify any equipment, technical specifications, prices, colors, shapes, materials, services, service work, constructions, equipment and the like so as to adapt them to local conditions or to cancel any of the above items, all without previous announcement and without giving reasons. KTM may stop manufacturing certain models without previous notice. KTM shall not be held liable for any deviations of availability and/or ability to deliver, illustrations, descriptions, printing and/or other errors. The illustrated models partly contain extra equipment, which is not applied to standard models.</p> <p>© by KTM Sportmotorcycle GmbH, Mattighofen AUSTRIA; All rights reserved; Reprint, also in extracts, with written allowance of KTM Sportmotorcycle GmbH, Mattighofen only.</p>		



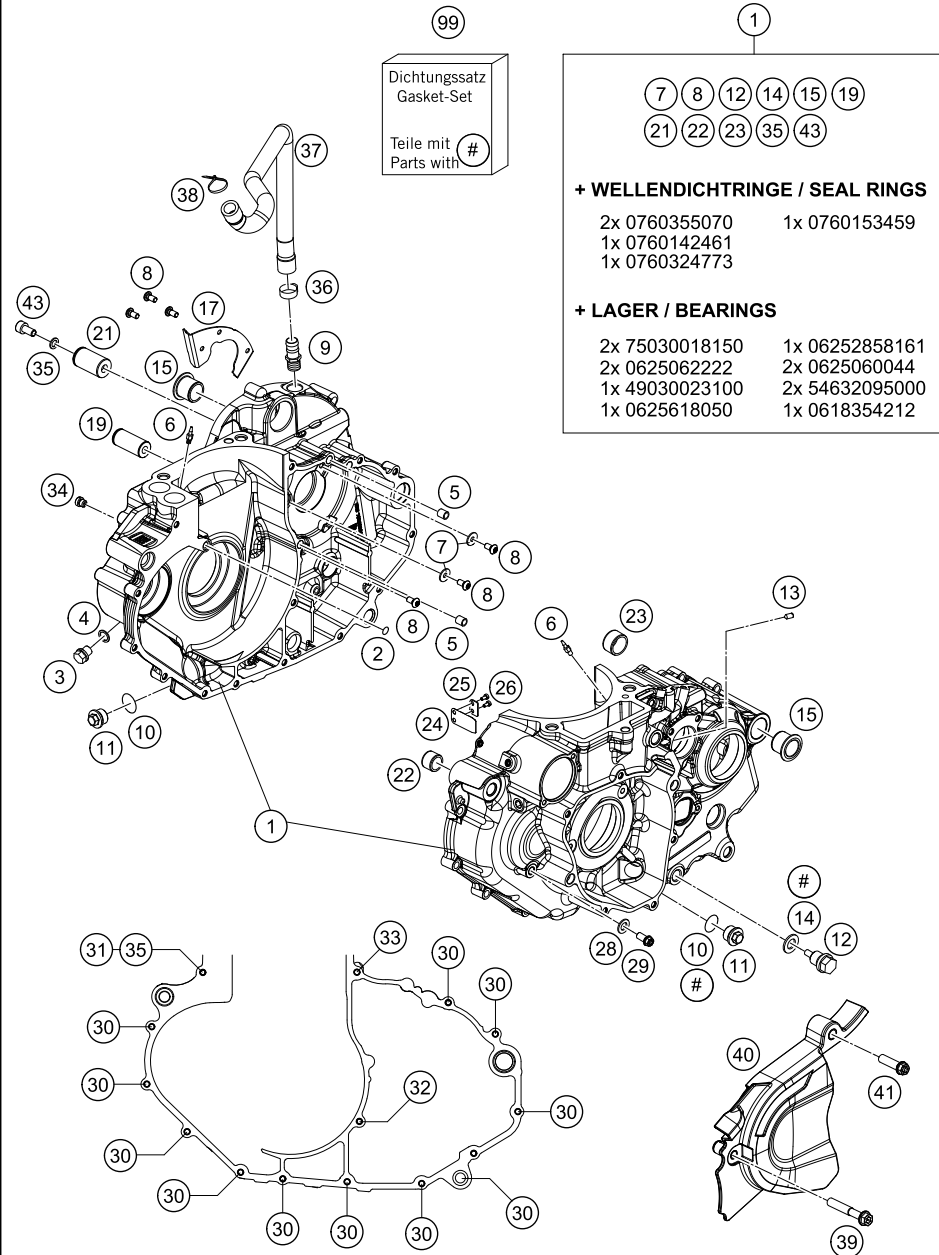
- 99
Dichtungssatz
Gasket-Set
- Teile mit #
Parts with #
- 1
- 7 8 12 14 15 19
21 22 23 35 43
- + WELLENDICHRINGE / SEAL RINGS**
- 2x 0760355070 1x 0760153459
1x 0760142461
1x 0760324773
- + LAGER / BEARINGS**
- 2x 75030018150 1x 06252858161
2x 0625062222 2x 0625060044
1x 49030023100 2x 54632095000
1x 0625618050 1x 0618354212

207663011

POS	PARTNUMBER	PARTNAME	PIECE
1	7663010013324	Engine case compl.	1
2	0770060018	O-RING 6,07X1,78 FPM75	1
3	0910100003	PLUG DIN0910-M 10X1	1
4	0603100141	sealing ring DIN 7603 10x14x1	1
5	59030023000	dowel sleeve 6x8x11.5	3
6	60030064050	OIL JET 50 M6X0,75 WS8 05	2
7	0021050003	washer DIN 9021 A - 5.3	4
8	073801050105S	Oval head screw ISR M5x10-10.9 ISR25	8
9	60030022000	VENTILATION CONNECTOR M16X1,5	1
10	0770180020	o-ring 18.00x2.00 NBR70	2
11	59038017100	PLUG M20X1,5 WS=13	2
12	58030021100	oil drain plug with magnet	1
13	76638029030	Jet screw M4x8	1
14	58038022000	CU-SEAL RING DIN7603-12X18X1,5	1
15	75030010000	CASE BUSH	2
17	75030042000	COVER	1
19	54633018400	BUSHING PIN	1
21	59040028000	BUSHING PIN	1
22	51030026100	DOWEL 17 X 13 X 12	1
23	54830027000	DOWEL 21X12 03	1
24	75030003051	MEMBRANE 07	1
25	75030003050	STOP SHEET MEMBRANE 07	1
26	0458030080	CYLIND.SCREW M3X8 ISO 14580 SS	2
28	0603082121	SEAL RING CU DIN7603- 8X12X1	1
29	0025080166	HH COLLAR SCREW M8X16 TX40	1
30	0025060306	HH collar screw M6x30 TX30	11
31	0025060256	HH collar screw M6x25 TX30	1
32	0025060706	HH COLLAR SCREW M6X70 TX30	1
33	0025060806	HH COLLAR SCREW M6X80 TX30	1
34	75030058160	JET 160	1
35	0603061001	CU-SEAL RING DIN7603-6X10X1	2
36	00050220706	VARIABLE ONE-EAR CLAMP 22,0MM	1
37	27030089000	Vent hose	1
38	44011076200	CABLE TIE 200/3,6MM BLACK	x
39	0025060406	HH collar screw M6x40 TX30	1
40	76530060044	CHAIN GUARD CPL. 08	1
41	0025080356	HH collar screw M8x35 TX40	1

53514

* NEW PART X ON DEMAND



99
 Dichtungssatz
 Gasket-Set
 Teile mit #
 Parts with #

- 1
- 7 8 12 14 15 19
 21 22 23 35 43
- + WELLENDICHRINGE / SEAL RINGS**
 2x 0760355070 1x 0760153459
 1x 0760142461
 1x 0760324773
- + LAGER / BEARINGS**
 2x 75030018150 1x 06252858161
 2x 0625062222 2x 0625060044
 1x 49030023100 2x 54632095000
 1x 0625618050 1x 0618354212

POS	PARTNUMBER	PARTNAME	PIECE
43	0912060123	AH SCREW DIN0912-M 6X12	1
99	76630099100	Gasket kit 690 Duke 18	1

207663011

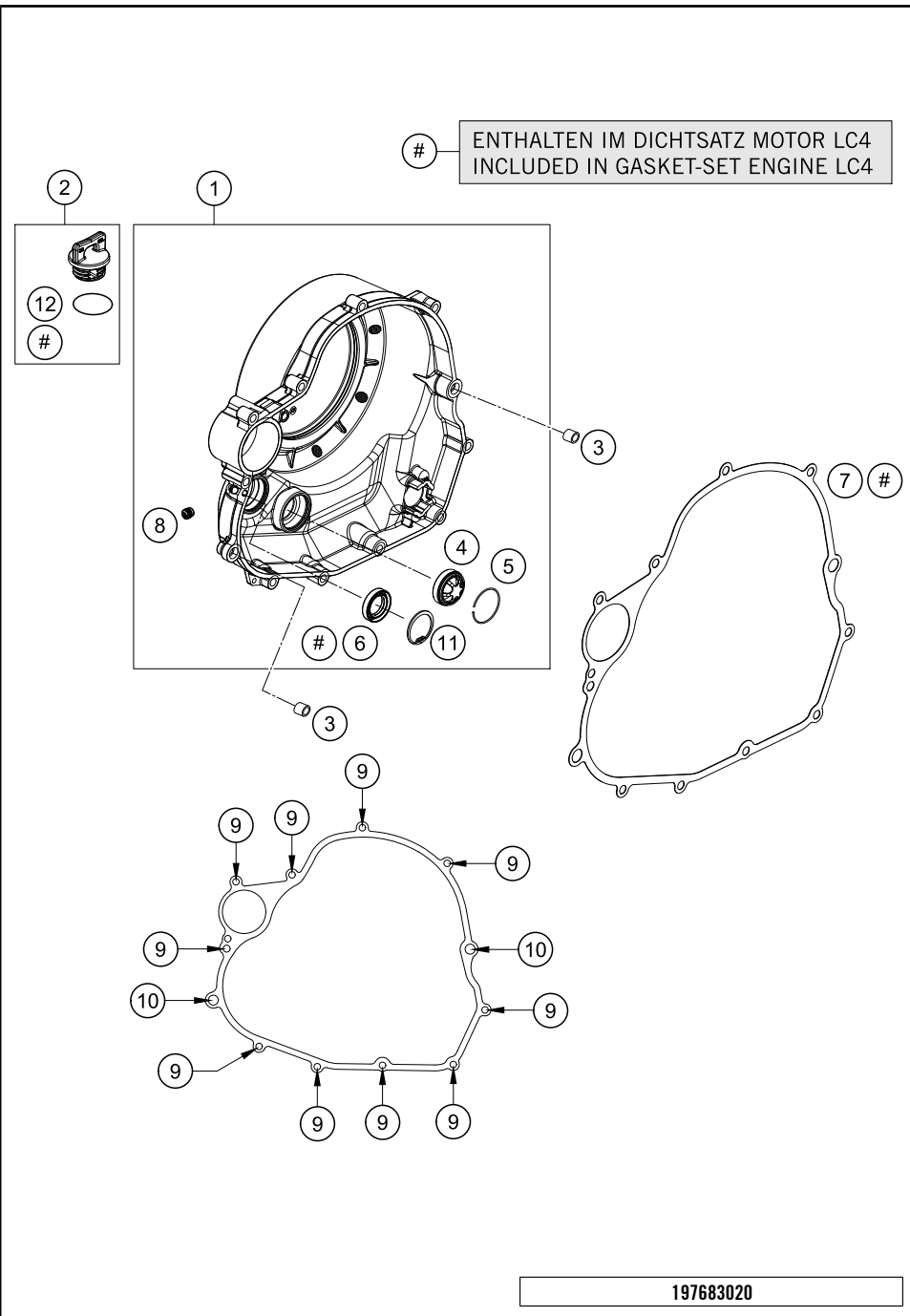
53514

* NEW PART

X ON DEMAND

CLUTCH COVER

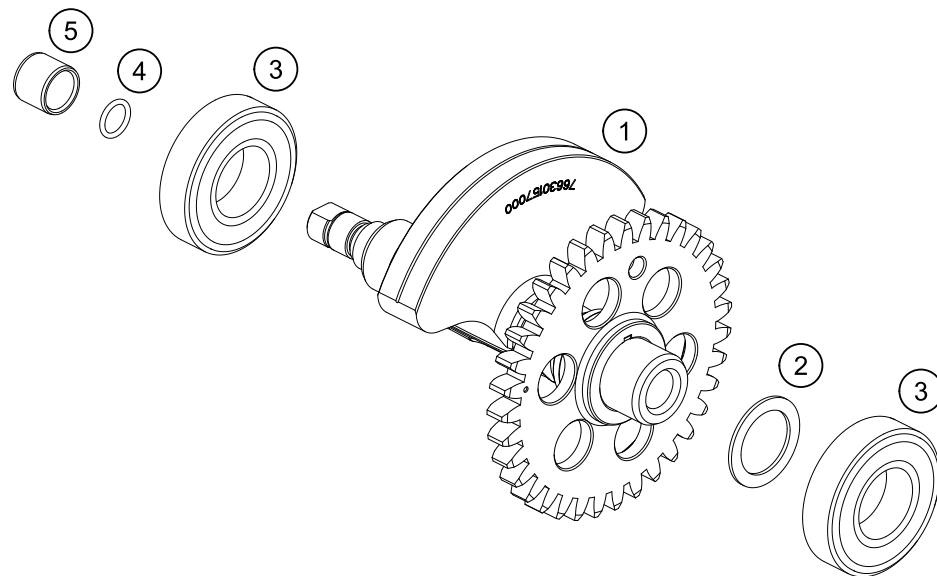
690 ENDURO/SMC-R 2020



POS	PARTNUMBER	PARTNAME	PIECE
1	7683000124441	Clutch cover cmpl.	1
2	58030020100	oil plug cpl. M24x3	1
3	49030090000	DOWEL 9,8 X 7 X 10	2
4	59030019200	OIL SIGHT GLASS	1
5	61030019050	CIRCLIP OIL LEVEL GLASS 03	1
6	0760172861	SHAFT SEAL RING 17X28X6 FKM	1
7	75030025000	CLUTCH CASE GASKET 07	1
8	59030296000	SCREW PLUG	1
9	0025060256	HH collar screw M6x25 TX30	9
10	0025060306	HH collar screw M6x30 TX30	2
11	0472280120	CIRCLIP DIN0472-28X1,2	1
12	0770191015	O-RING 19,00X3,00 NBR	1

53529

* NEW PART X ON DEMAND



POS	PARTNUMBER	PARTNAME	PIECE
1	76630157044	Balancer shaft compl.	1
2	0988223201	THRUST WASHER DIN0988-22X32X,1	x
2	09882232015	THRUST WASHERDIN0988-22X32X,15	x
2	0988223202	THRUST WASHER DIN0988-22X32X,2	x
2	0988223203	THRUST WASHER DIN0988-22X32X,3	x
3	0625062223	Grooved ball bearing TMB2/22CC3	2
4	07700900151	O-RING 9x1,5 V80 SH	1
5	77236072120	Wear bushing 12/15/12,5	1

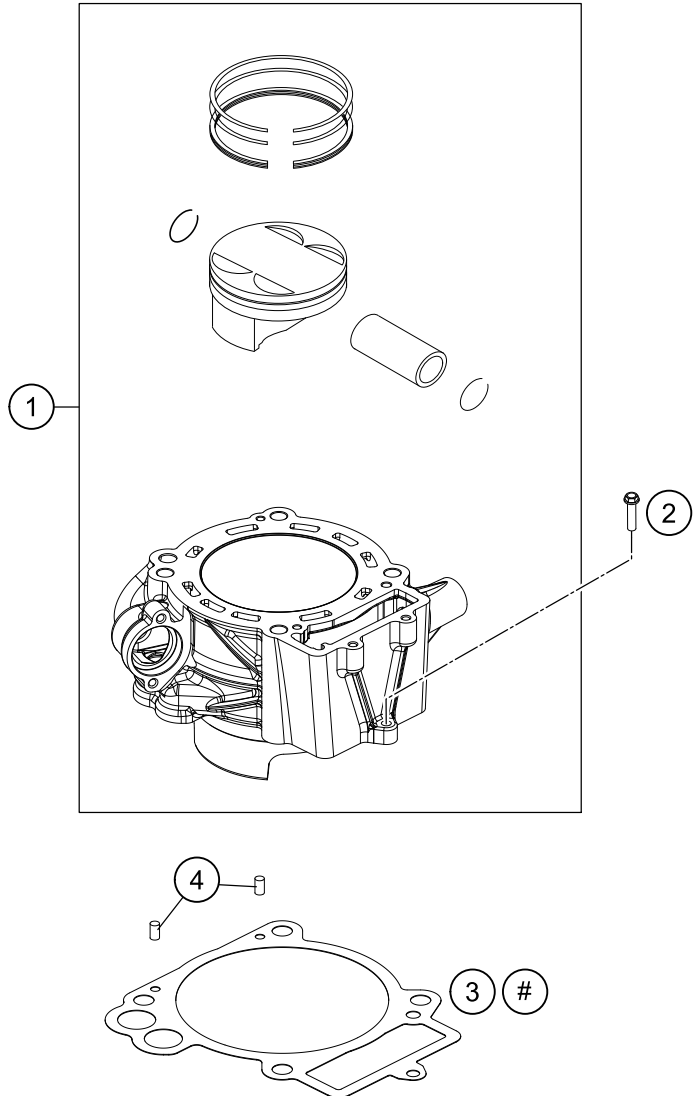
187663030

53274

* NEW PART

X ON DEMAND

ENTHALTEN IM DICHTSATZ MOTOR LC4
INCLUDED IN GASKET-SET ENGINE LC4



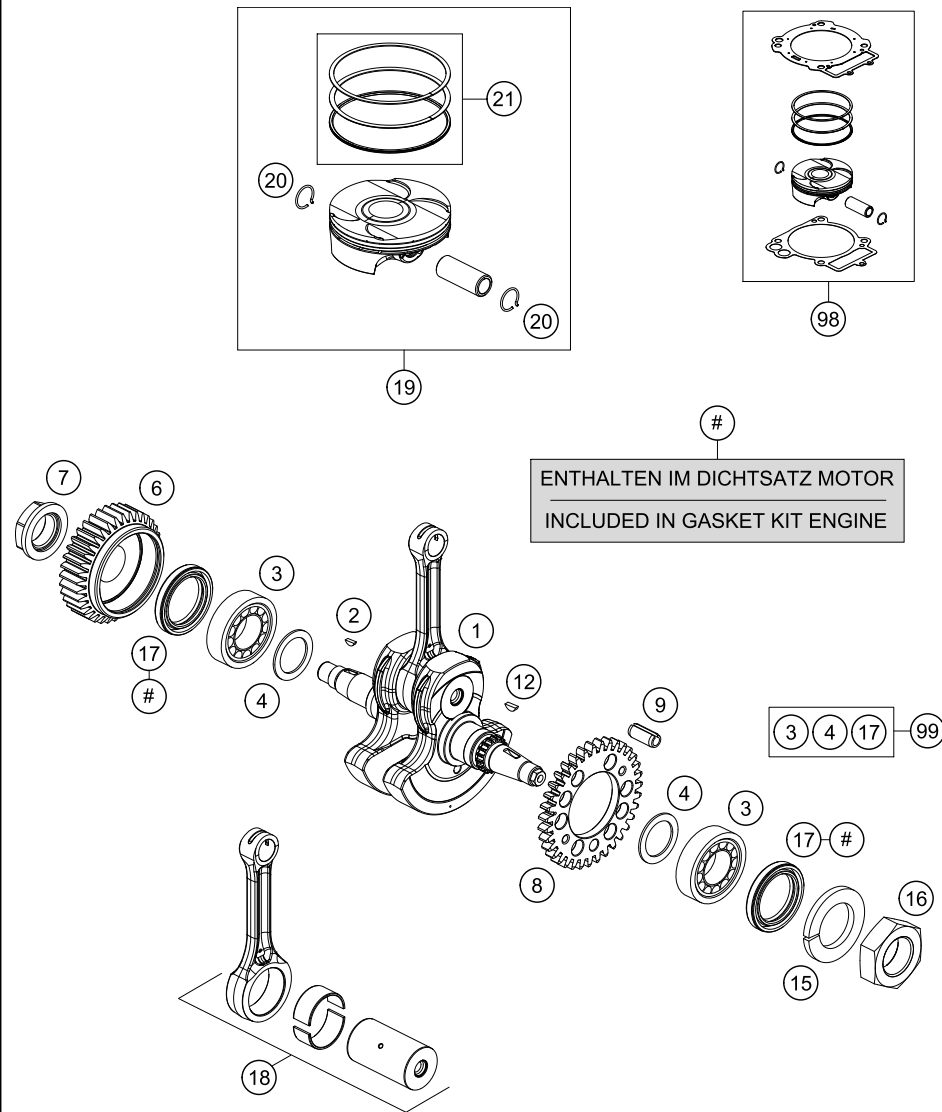
POS	PARTNUMBER	PARTNAME	PIECE
1	7663013824424	Cylinder + piston	1
2	0025060256S	SK-BUNDSCHRAUBE M6X25 ISA30	1
3	76630135000	Cylinder base gasket	1
4	59030023000	dowel sleeve 6x8x11.5	2

162703040

53521

* NEW PART

X ON DEMAND



ENTHALTEN IM DICHTSATZ MOTOR
INCLUDED IN GASKET KIT ENGINE

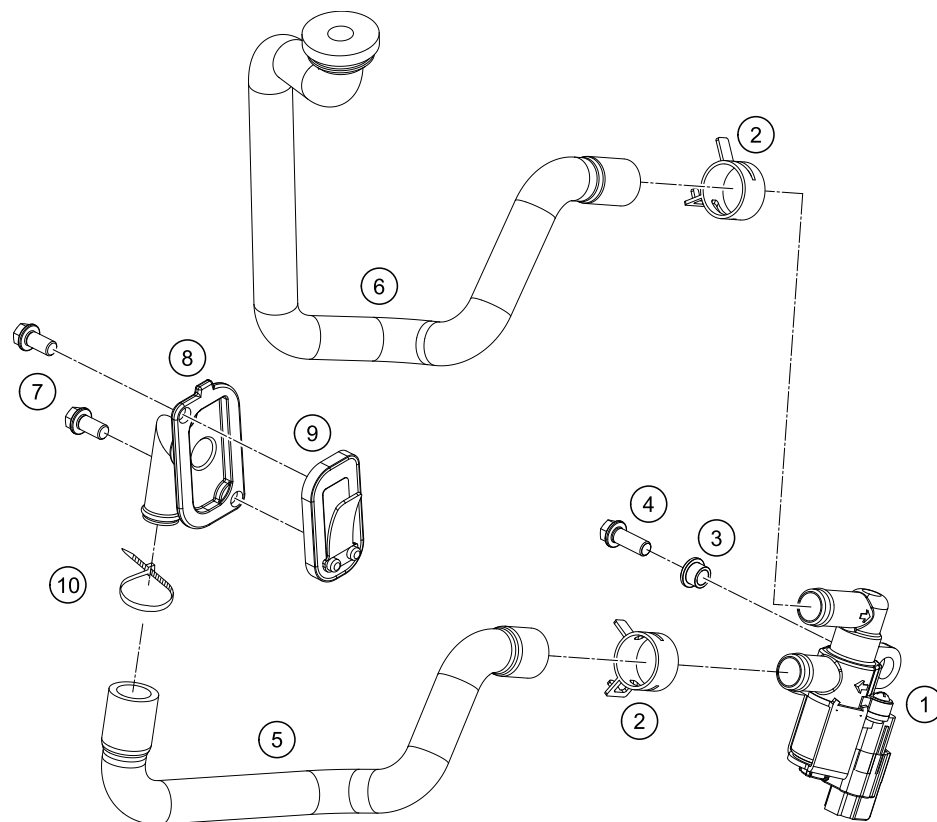
POS	PARTNUMBER	PARTNAME	PIECE
1	76630018300	Crankshaft cpl.	1
2	0888040050	woodruff key DIN 6888 4x5x13	1
3	75030018150	CYL.ROLLER BEARING NJ207 ECPC4	2
4	56530081000	SHIM WASHER 36X48X0,10	x
4	56530081100	SHIM WASHER 36X48X0,15	x
4	56530081200	SHIM WASHER 36X48X0,20 STEEL	x
4	56530081300	SHIM WASHER 36X48X0,30	x
6	75032000102	PRIMARY GEAR 36T.	1
7	75030029100	NUT FOR PRIMARY GEAR	1
8	75030055100	DRIVE WHEEL BALANCING SHAFT	1
9	0749080300	TENSION PIN ISO13337 8X30	1
12	6946005	WOODRUFF KEY 5X6,5 HARDED	1
15	58132072000	LOCK WASHER VSK 18	1
16	0936181505	HEXAGON NUT DIN0936-M18X1,5 R.	1
17	0760355070	SHAFT SEAL R.35X50X7B VITON	2
18	76630015244	Connecting rod repair kit	1
19	76630007200 I	Piston=105	x
19	76630007200 II	Piston=150	x
20	75030074000	CIRCLIP LC4 07	2
21	76630031144	Piston kit D=105	1
98	00050000253	Piston kit size I 690/701 2019	x
98	00050000254	Piston kit group II 690/701 2019	x
99	00050002305	CRANKSHAFT REP. KIT 690	x

167663060

53515

* NEW PART

X ON DEMAND



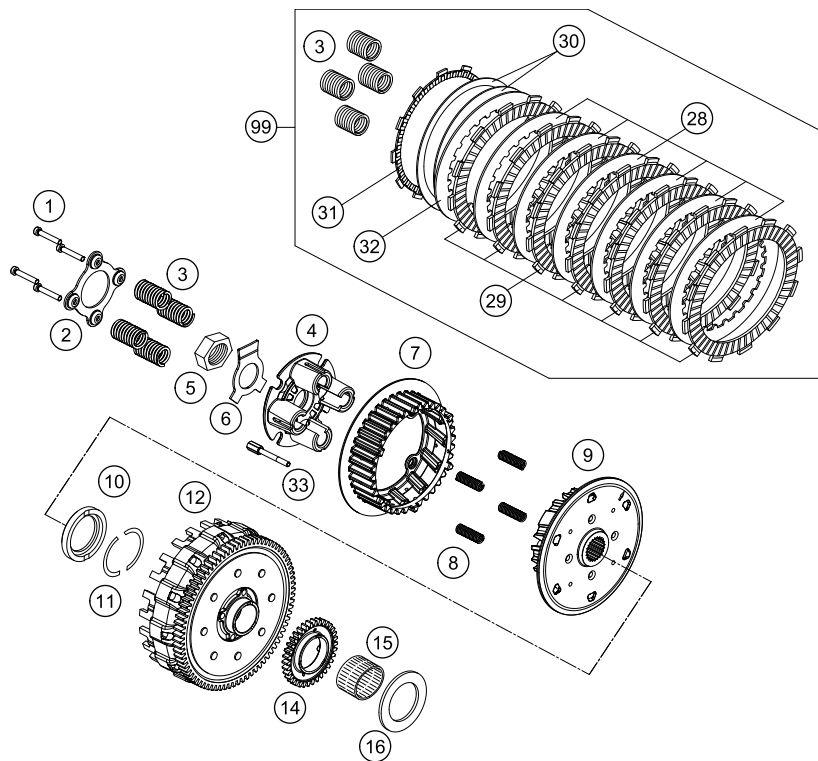
POS	PARTNUMBER	PARTNAME	PIECE
1	75005026000	SLS-VALVE 07	1
2	00050325706	VARIABLE ONE-EAR CLAMP 32,5MM	2
3	75005033000	COLLAR BUSH SAS-VALVE	1
4	0025060166	HH collar screw M6x16 TX30	1
5	27005027100	SLS-hose to vent cover	1
6	27005026000	SAS hose to airbox	1
7	0025060126S	Hex collar screw M6x12 ISA30 self-lockin	2
8	61205032000	SAS-FLANGE	1
9	60005026000	reed valve	1
10	44011076200	CABLE TIE 200/3,6MM BLACK	1

197683130

53277

* NEW PART

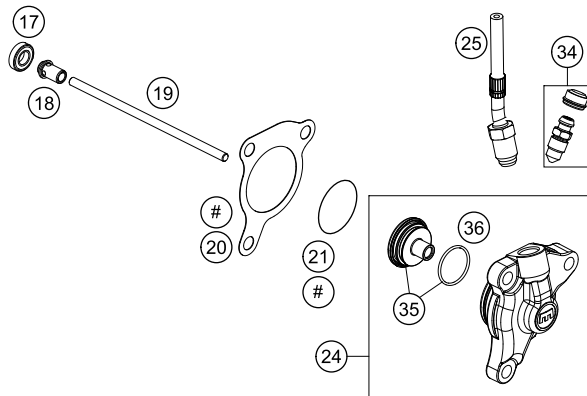
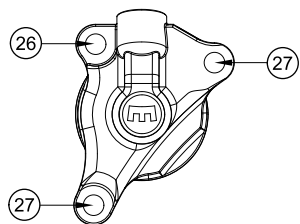
X ON DEMAND



ACHTUNG!!!
 Pos. 18 und 19 müssen
 gemeinsam getauscht werden!

CAUTION!!!
 Pos. 18 and 19 have to be
 changed together!

ENTHALTEN IM DICHTSATZ MOTOR
 INCLUDED IN GASKET SET ENGINE



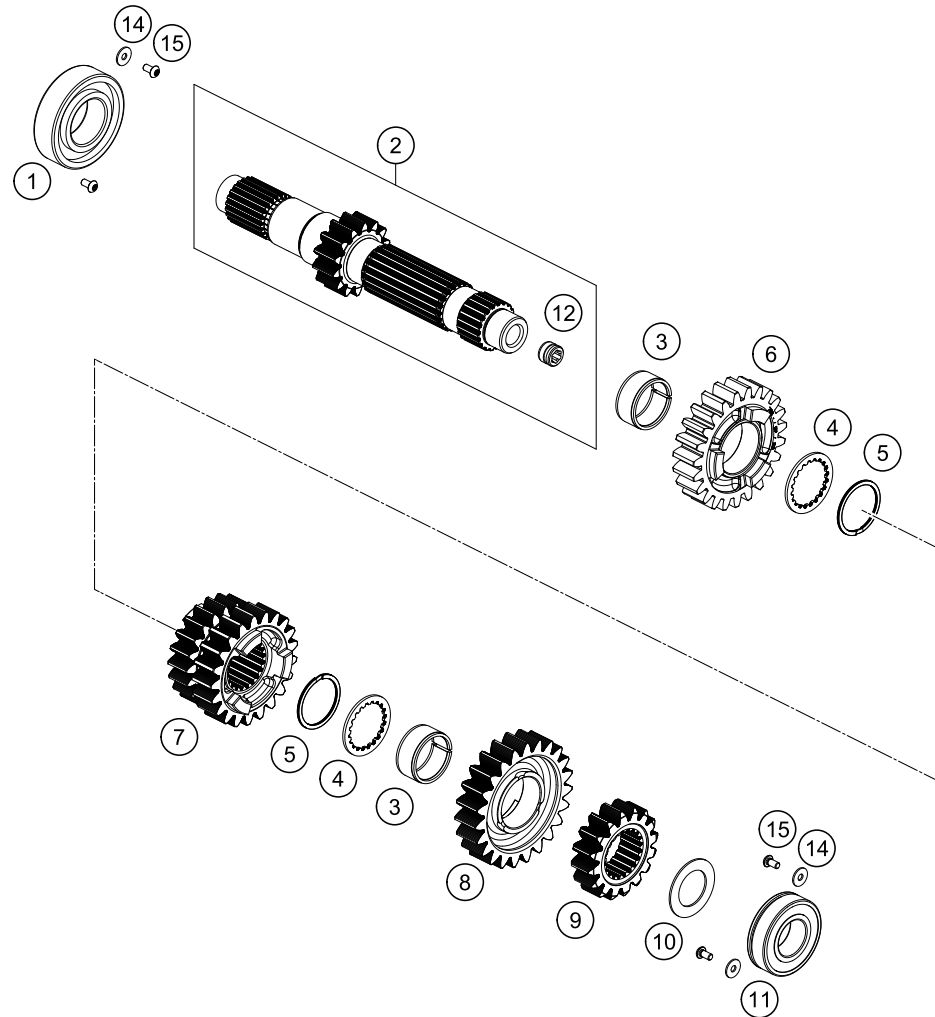
207663210

POS	PARTNUMBER	PARTNAME	PIECE
1	014580050306	Cyl.screw DIN14580 M5x30	4
2	76632006000	Anticentrifugal ring	1
3	58532080000	CLUTCHSPRING 3,0X33,5	4
4	76632003044	Pressure Plate	1
5	60036073150	hex nut M20x1., H=6mm	1
6	75032018100	Lock washer	1
7	76632002002	Movable Hub	1
8	75032033000	CLUTCH RELEASE SPRING	4
9	76632002001	Fixed Hub	1
10	75032009000	STEPPED WASHER 07	1
11	75032007000	HALF-WASHER 07	2
12	75032001144	CLUTCH CAGE CPL. 79T	1
14	75032050001	OIL PUMP DRIVE WHEEL 07	1
15	56532095000	NEEDLE BEARING K26X30X22ZW.KSE	1
16	75032017000	WASHER 26X40X2 07	1
17	0625060016	deep groove ball bearing 6001.2RSR C3	1
18	75032055100	PRESSURE BOLT 08	1
19	75032054200	PUSH ROD 08	1
20	59032065100	GASKET F. OUTPUT CYLINDER	1
21	0770300015	O-RING 30,00X1,50 NBR 70	1
24	79432061144	Output Cyl. Dot Cpl. 27mm	1
25	76032063000	CLUTCH PIPE 1100MM	1
26	0025060206	HH collar screw M6x20 TX30	1
27	0025060356	HH collar screw M6x35 TX30	2
28	75032112000	STEEL DISK 1,5 MM LC4 07	6
29	58332011300	LINING DISK 2,7MM FCC 02	7
30	58632016000	RONDELLA ANTIVIBRAZIONE SET	1
31	75032111100	LINING DISC CUT OUT	1
32	75032112100	STEEL DISK 1,5MM NITRIDED	1
33	75032032000	HOLDING SCREW GMB-M5X35	2
34	54732064000	BLEEDER SCREW WITH CAP	1
35	26632066000	PISTONKIT OUTPUT ZYL. DOT 27MM	1
36	26632067000	O-Ring 23,52x1,78 EPDM	1
99	75032011110	CLUTCH KIT 690 LC4 08-14	1

53520

* NEW PART

X ON DEMAND



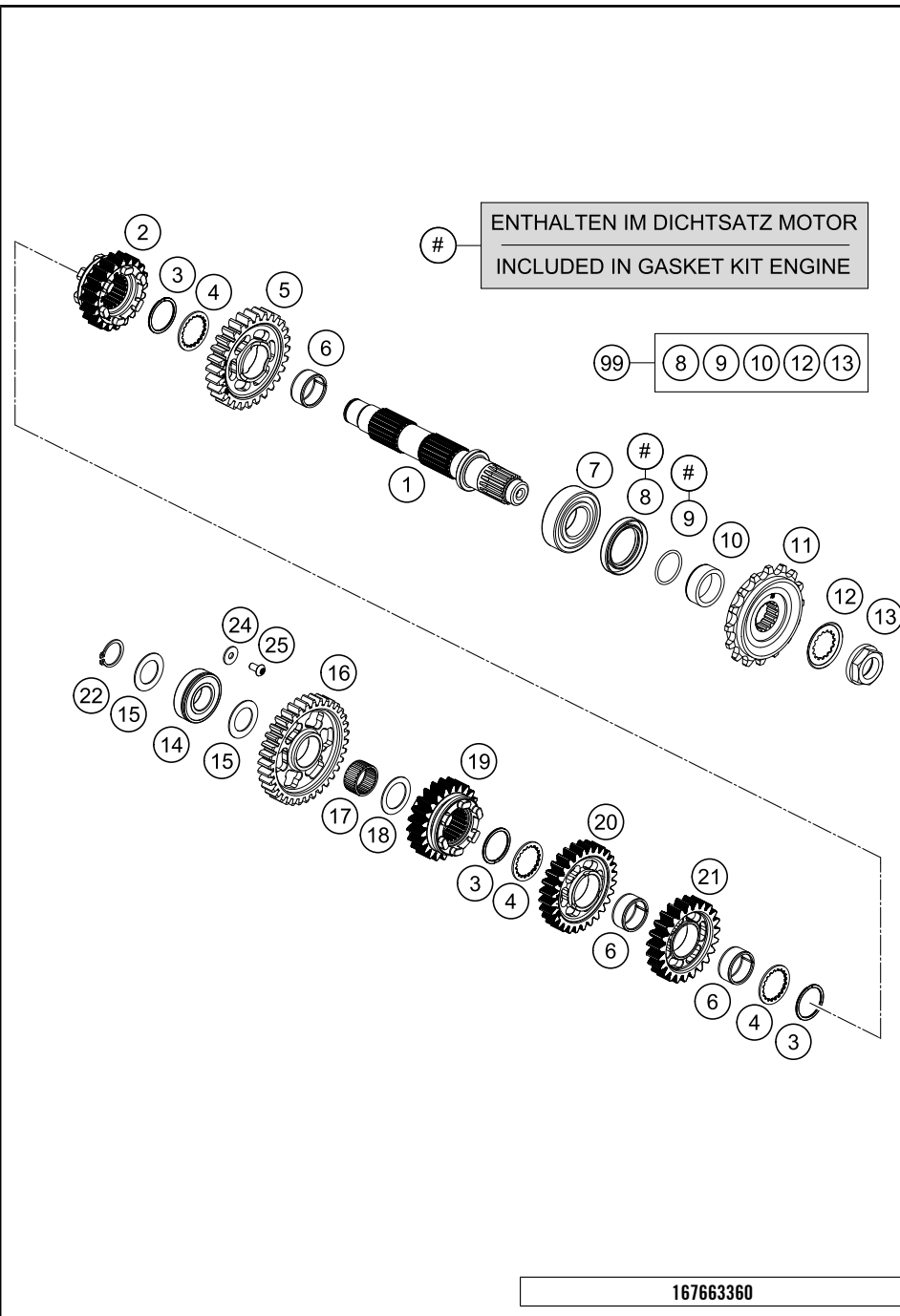
POS	PARTNUMBER	PARTNAME	PIECE
1	06252858161	BALL BEARING 58/28 C4 N	1
2	76633001000	MAIN SHAFT CPL.	1
3	0405242813G	NEEDLE BEAR.K 24X28X13 DIVIDED	2
4	76633040000	STOP DISK 24.6X33X1.5	2
5	0471027000	CIRCLIP XDNS-27	2
6	76633005100	Idler gear 5th gear	1
7	76633003100	Sliding gear 3rd/4th gear	1
8	76633006100	Idler gear 6th gear	1
9	76633002000	SOLID GEAR 2. GEAR	1
10	59033080000	SHIM 20X32X1	1
11	0625060044	BALL BEARING 6004 DDUN C4	1
12	77333001160	GUIDE BUSHING	1
14	0021050003	washer DIN 9021 A - 5.3	3
15	073801050105S	Oval head screw ISR M5x10-10.9 ISR25	4

167663330

53279

* NEW PART

X ON DEMAND



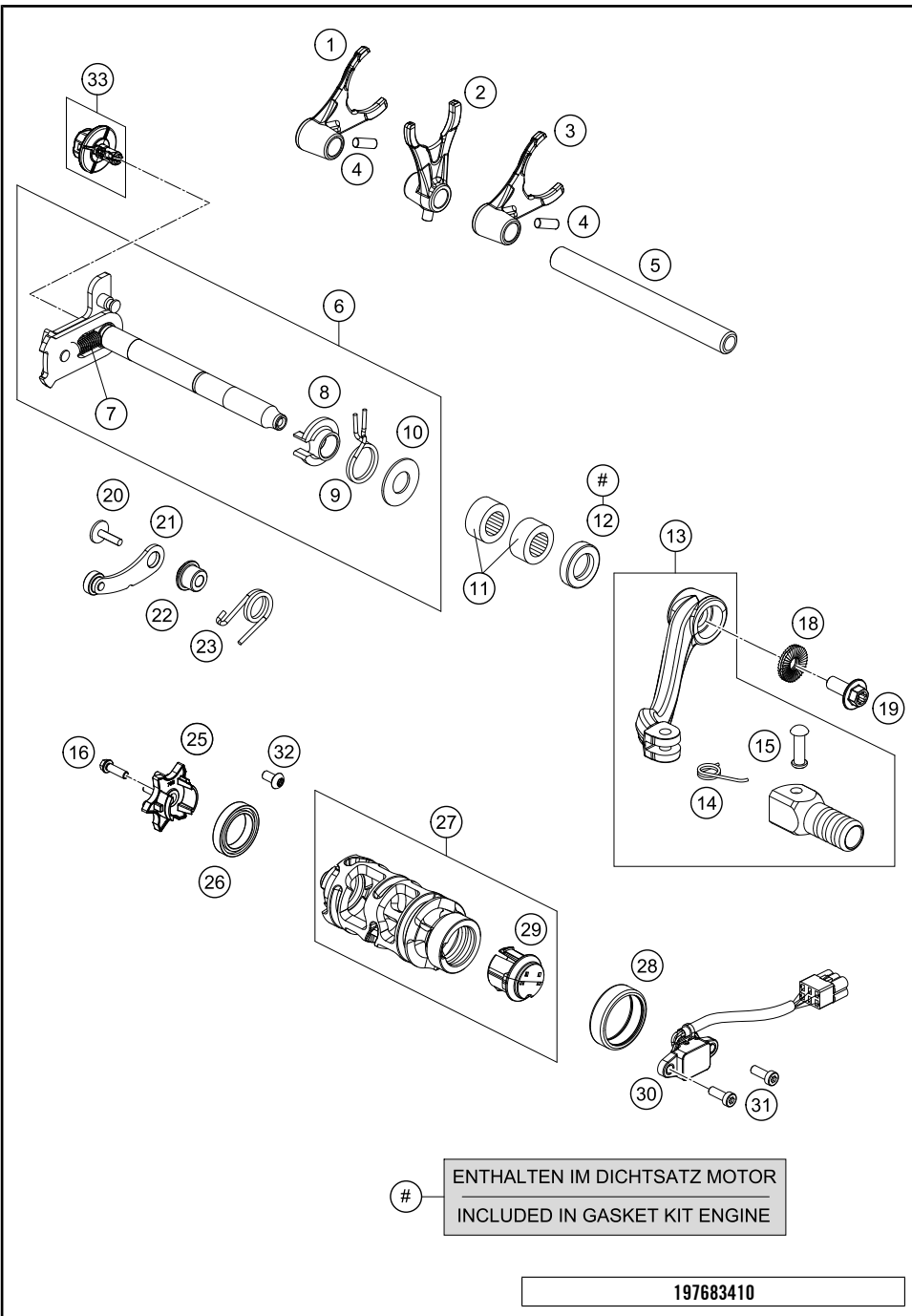
POS	PARTNUMBER	PARTNAME	PIECE
1	76633010000	COUNTER SHAFT	1
2	76633016000	SLIDING GEAR 6. GEAR	1
3	0471027000	CIRCLIP XDNS-27	3
4	76633040000	STOP DISK 24.6X33X1.5	3
5	76633012000	IDLER GEAR 2. GEAR	1
6	0405242813G	NEEDLE BEAR.K 24X28X13 DIVIDED	3
7	49030023100	CYL.ROLLER BEARING NJ205 C4	1
8	0760324773	radial shaft seal 32x47x7BSL Viton	1
9	0770020220	O-RING 25,12X1,78 NBR70	1
10	76633030012	Spacing tube front sprocket	1
11	58033029115	ENGINE SPROCKET 15 T DAMPED	x
11	58033029116	front sprocket 16 teeth damped	x
11	58033029117	ENGINE SPROCKET 17 T DAMPED	x
12	51033031000	locking plate	1
13	58033132300	Sprocket nut M20x1.5	1
14	0625060044	BALL BEARING 6004 DDUN C4	1
15	59033080000	SHIM 20X32X1	2
16	76633011000	IDLER GEAR 1. GEAR	1
17	56533098000	NEEDLE BEARING K22X26X13H	1
18	54603036000	STOP DISK 22,2X31,7X1	1
19	76633015000	SLIDING GEAR 5. GEAR	1
20	76633013100	Idler gear 3rd gear	1
21	76633014000	IDLER GEAR 4. GEAR	1
22	0471200120	CIRCLIP DIN471 20X1,2	1
24	0021050003	washer DIN 9021 A - 5.3	1
25	073801050105S	Oval head screw ISR M5x10-10.9 ISR25	1
99	00050000993	Repair kit output shaft 690	x

167663360

53280

* NEW PART

X ON DEMAND

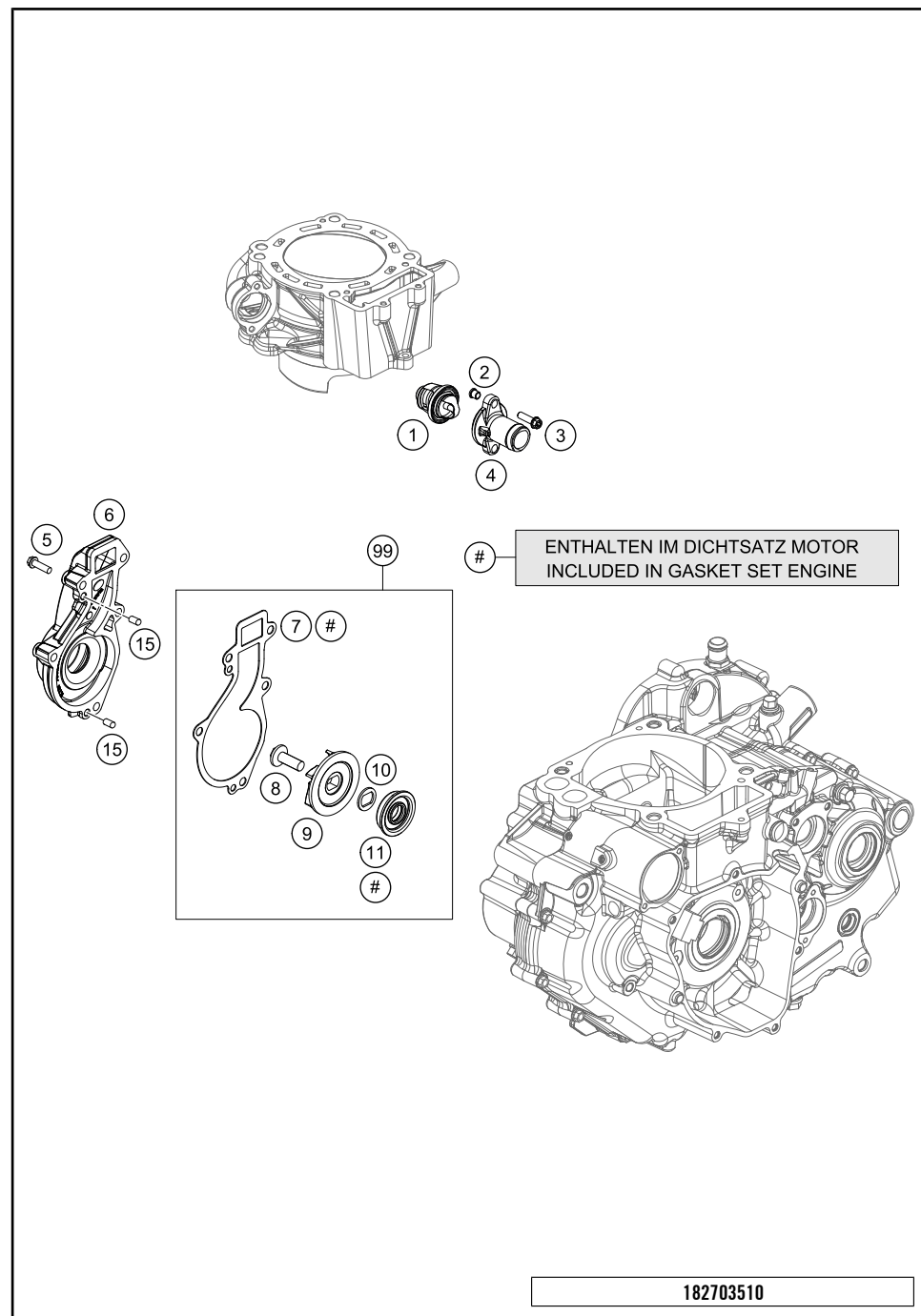


POS	PARTNUMBER	PARTNAME	PIECE
1	75034002100	SHIFT FORK F. SLIDINGGEAR 5 12	1
2	75034001100	SHIFT FORK F. SLIDINGG. 3/4 12	1
3	75034003100	SHIFT FORK F. SLIDINGGEAR 6 12	1
4	0402061480	NEEDLE ROLLER DIN5402 6X14,8	2
5	75034019100	shift fork shaft	1
6	76834005133	Shifting shaft assembled	1
7	56534013100	TENSIONING SPRING 0,8MM	1
8	54634020000	SPRING GUIDE	1
9	54834014000	RETURN SPRING 03	1
10	75034050000	STOP DISK 14X30X1,5 STEEL	1
11	54632095000	needle sleeve HK 1412 14x20x12	2
12	0760142461	SHAFT SEAL RING 14X24X6B VITON	1
13	75034031000	SHIFT LEVER CPL. 07	1
14	75034032000	SHIFTING LEVER SPRING	1
15	54634031050	BOLT 6X25 FOR SHIFT LEVER	1
16	0912060309S	Hexagon socket screw, DIN0912-M 6X30 12.	1
18	50233041500	PAIR NORDLOCK WASHER M6	1
19	0024060156S	HH collar screw M6x15 TX30	1
20	0024060206S	HH collar screw M6x20 TX30	1
21	61434024000	LOCKING LEVER CPL.	1
22	75034052000	SLEEVE FOR LOCKING LEVER 07	1
23	60034023100	ARRESTING LEVER SPRING 07	1
25	76834215000	Shift star cpl.	1
26	0625618050	BALL BEARING 61805 C3	1
27	76634012144	Shifting drum cpl.	1
28	0618354212	NEEDLE BEAR HK3512 35X42X12	1
29	79234012020	magnet holder cpl.	1
30	60411023000	GEAR POSITION SENSOR	1
31	0984050143S	CYL. SCREW DIN6912 M5X14 8.8	2
32	073800501002	PAN HEAD SCREW M5X10 TX25	1
33	76834050000	magnet holder	1

197683410

53516

* NEW PART X ON DEMAND

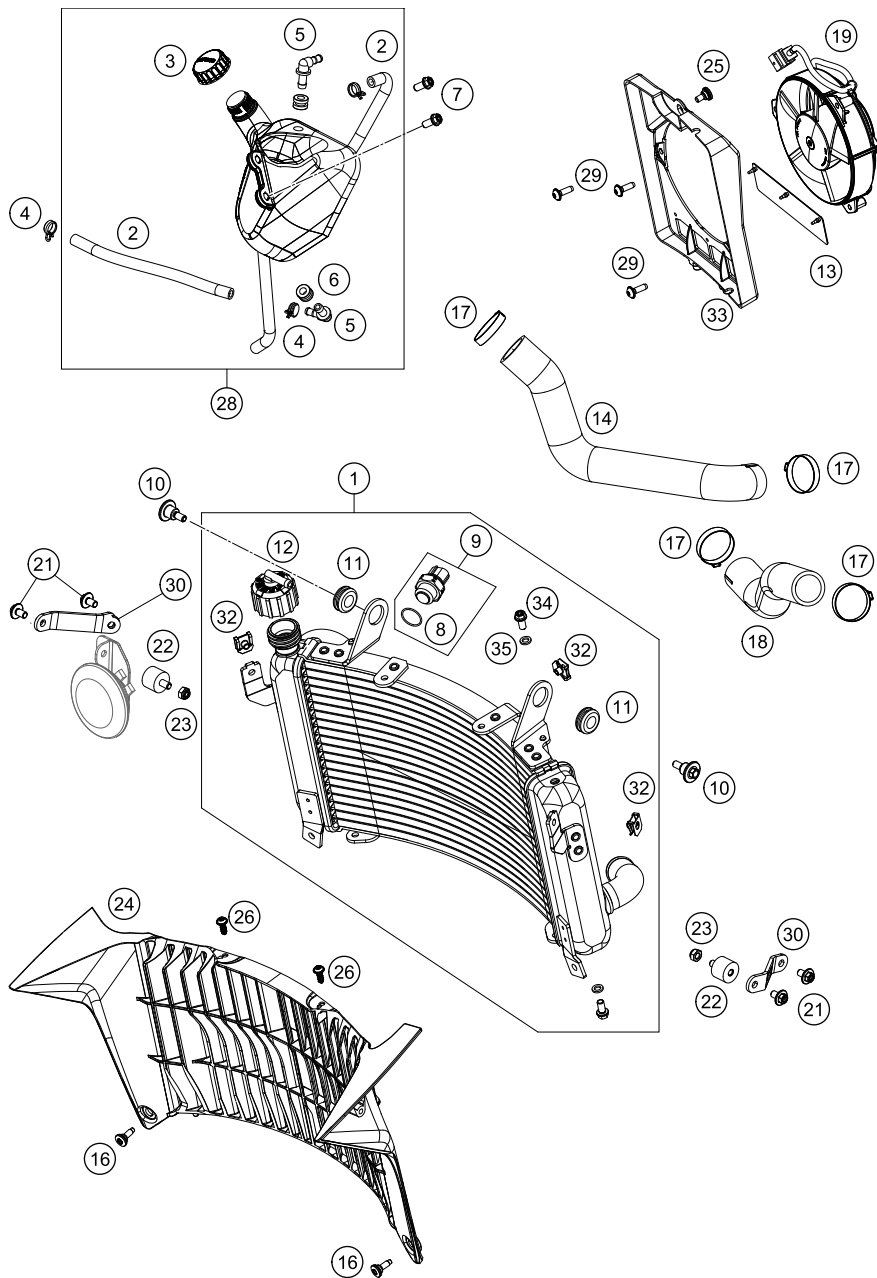


POS	PARTNUMBER	PARTNAME	PIECE
1	75035017000	THERMOSTAT 07	1
2	60040027050	SUPPORTING SLEEVE 03	2
3	0025060206	HH collar screw M6x20 TX30	2
4	75035016000	THERMOSTATCOVER 07	1
5	0025060306	HH collar screw M6x30 TX30	5
6	7503505210033	WATERPUMP COVER 10	1
7	75035053000	WATER PUMP COVER GASKET 07	1
8	0024060136S	HH Collar screw M6x13 TX30 SL	1
9	75035055000	WATER PUMP ROTOR 07	1
10	60035055150	double-d washer 16x1 SST	1
11	0760153459	radial shaft seal 34.5x15x9 Duo	1
15	0474050100	GROOVED PIN DIN1474 5X10	2
99	75035055110	Water Pump Kit Rep.	x

182703510

53381

* NEW PART X ON DEMAND



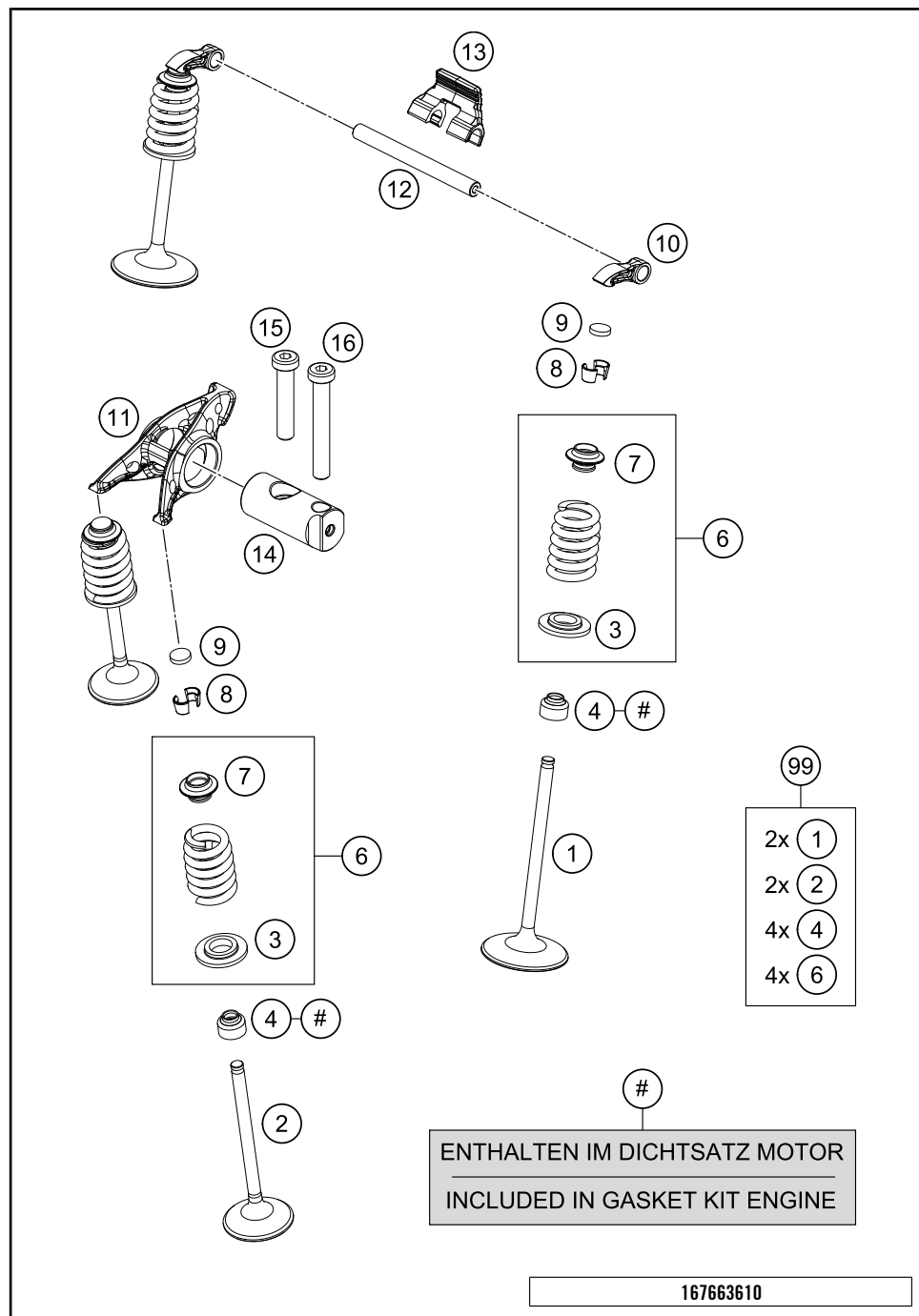
197683530

POS	PARTNUMBER	PARTNAME	PIECE
1	76935010000	Radiator	1
2	60035067001	HOSE 6X10 EPDM 03	x
3	60335066044	Latch, compens. tank cpl.	1
4	58007117000	YDNAC-CLAMP 10107 10MM	3
5	60035068000	ANGLE CONNECTION EXPANS. TANK	2
6	60035069000	RUBBER GROMMET 6X9X13MM 04	2
7	0023060123	COLLAR SCREW M6X12 TX	2
8	0770017015	O-RING 17X1,5 NB75	1
9	60035045000	THERMOSWITCH LC8 102DG '03	1
10	60035001000	SPECIAL SCREW M6X21 WS=8	2
11	41001052000	RUBBER SLEEVE D=12MM	2
12	62535009000	RADIATOR CAP 1,4 BAR	1
13	62635044050	FAN CLACK RUBBER 08	1
14	76535025100	COOLING HOSE	1
16	69008021060	special screw M5x17	2
17	00050331706	VARIABLE ONE-EAR CLAMP 33,1MM	4
18	76535024000	RADIATOR HOSE 08	1
19	62635041000	VENTILATOR	1
21	0024060106	HH COLLAR SCREW M6X10 TX30	3
22	43205062100	silentbloc 20x15-M6x10-(1)	2
23	0985060003	SELF LOCK. NUT DIN0985-M 6	2
24	76935040000	Radiator protection	1
25	69008021160	special screw M5x12	1
26	0081050141	EJOT PT screw K50x14	2
28	76935065033	expansion tank assy	1
29	0081050161	EJOT PT SCREW K50x16 1451	3
30	76535001000	RETAINING PLATE RADIATOR 08	2
32	54603048100	clip nut M6	3
33	75335044000	FAN COVER	1
34	0025060126	HH collar screw M6x12 TX30	1
35	60035048000	ALU-GASKET 6X10X1.5	1

53530

* NEW PART

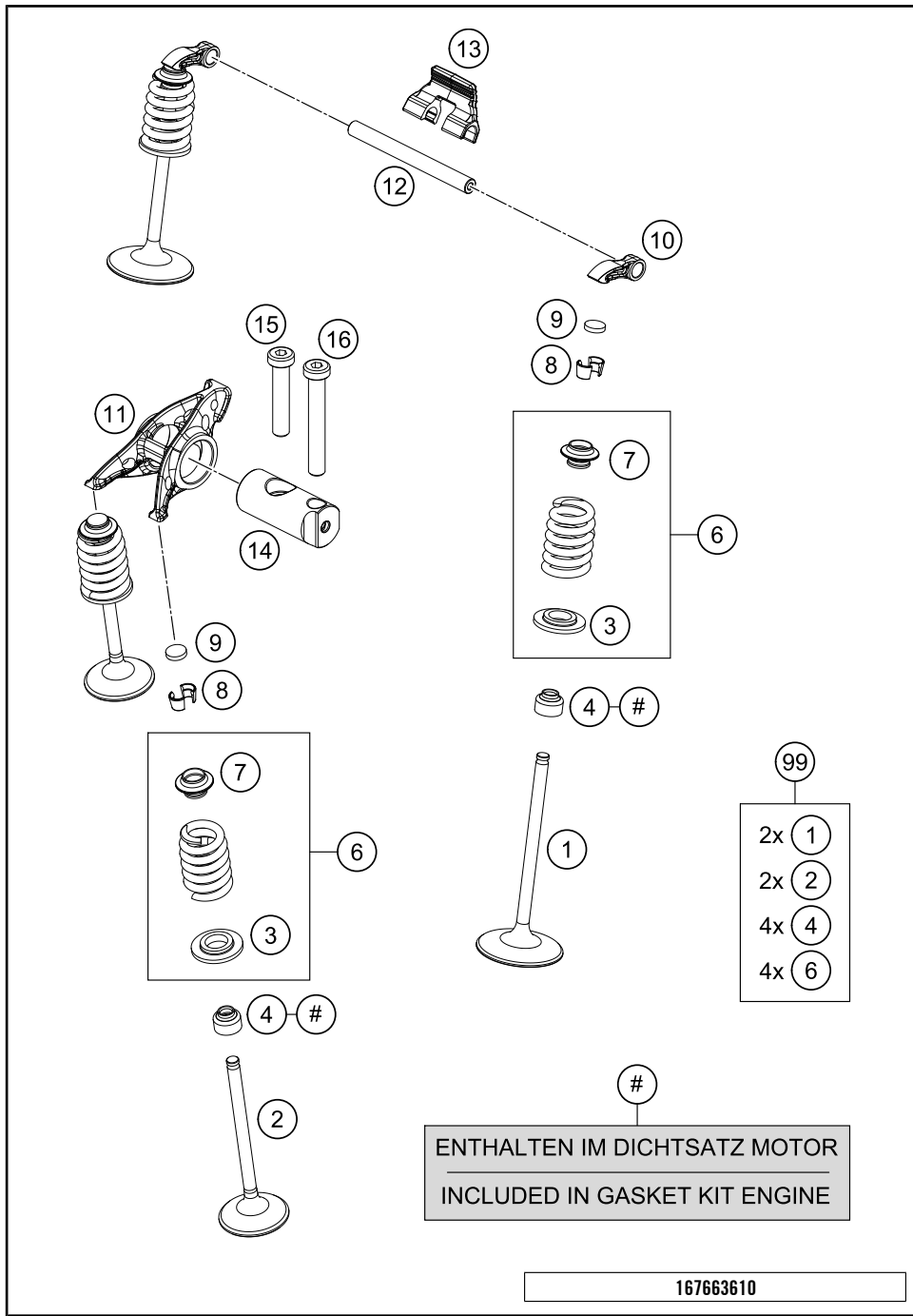
X ON DEMAND



POS	PARTNUMBER	PARTNAME	PIECE
1	60236030100	INTAKE VALVE D42	2
2	61236031400	EXHAUST VALVE	2
3	78936036000	VALVE SPRING HOLDER	4
4	59036027000	VALVE-STEM SEALING RACING	4
6	76636028044	VALVE SPRING KIT	4
7	76636032000	VALVE RETAINER	4
8	78036033000	VALVE COLLET LK 6H	8
9	60036035185	SHIM D=10/1,85 03	x
9	60036035190	SHIM D=10/1,90 03	x
9	60036035195	SHIM D=10/1,95 03	x
9	60036035200	SHIM D=10/2,00 03	x
9	60036035205	SHIM D=10/2,05 03	x
9	60036035210	SHIM D=10/2,10 03	x
9	60036035215	SHIM D=10/2,15 03	x
9	60036035220	SHIM D=10/2,20 03	x
9	60036035225	SHIM D=10/2,25 03	x
9	60036035230	SHIM D=10/2,30 03	x
9	60036035235	SHIM D=10/2,35 03	x
9	60036035240	SHIM D=10/2,40 03	x
9	60036035245	SHIM D=10/2,45 03	x
9	60036035250	SHIM D=10/2,50 03	x
9	60036035255	SHIM D=10/2,55 03	x
9	60036035260	SHIM D=10/2,60 03	x
9	60036035265	SHIM D=10/2,65 03	x
9	60036035270	SHIM D=10/2,70 03	x
9	60036035275	SHIM D=10/2,75 03	x
9	60036035280	SHIM D=10/2,80 03	x
9	60036035285	SHIM D=10/2,85 03	x
9	60036035290	SHIM D=10/2,90 03	x
9	60036035295	SHIM D=10/2,95 03	x
9	60036035300	SHIM D=10/3,00 03	x
9	60036035305	SHIM D=10/3,05 03	x
9	60036035310	SHIM D=10/3,10 03	x
9	60036035315	SHIM D=10/3,15 03	x
9	60036035320	SHIM D=10/3,20 03	x
9	60036035330	SHIM D=10/3,3	x
10	77236060100	VALVE LEVER	2
11	76636061000	ROCKER ARM EXHAUST	1

17417

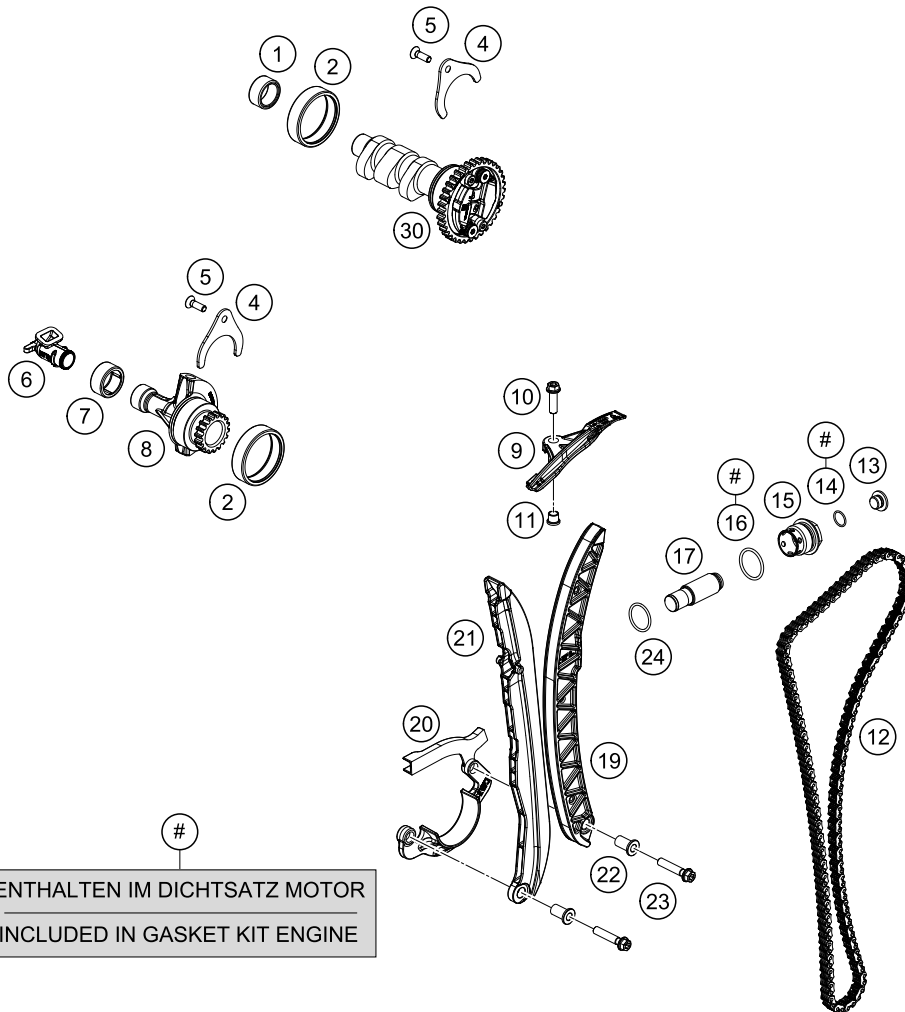
* NEW PART X ON DEMAND



POS	PARTNUMBER	PARTNAME	PIECE
12	76636056000	ROCKER ARM SHAFT	1
13	76636056050	ROCKER ARM CLIP	1
14	76636057200	ROCKER ARM AXIS	1
15	0984080406	AH SCREW DIN7984 M8X40	1
16	0984080556	AH SCREW DIN7984 M8X55	1
99	76636030010	VALVE KIT 690	x

17417

* NEW PART X ON DEMAND



 ENTHALTEN IM DICHTSATZ MOTOR
 INCLUDED IN GASKET KIT ENGINE

POS	PARTNUMBER	PARTNAME	PIECE
1	0618182412	NEEDLE BEAR.HK1812 18/24/12 05	1
2	0618404712	NEEDLE SLEEVE HK4012B40X47X12	2
4	76636010050	LOCKING PLATE	2
5	0019050163S	INT. TORX FLAT HEAD M5X16 8.8	2
6	76636081000	BREATHER SYSTEM CONNECTOR	1
7	50203097000	NEEDLE BUSH HK 2012	1
8	76630158000	Balancer shaft cylinder head	1
9	76636005000	CHAIN GUIDE	1
10	0025060206S	HH collar screw M6x20 TX30	1
11	60040027050	SUPPORTING SLEEVE 03	1
12	76636013000	TIMING CHAIN	1
13	77236080100	threaded plug	1
14	0770010010	o-ring 10.00x1.00 NBR70	1
15	61236008200	chain tension adjuster plug cpl.	1
16	0770220020	o-ring 22.00x2.00 NBR70	1
17	77036003200	Chain tension adjuster, hydraulic	1
19	76636102000	Tensioner rail	1
20	76636018000	CHAIN GUIDE	1
21	76636001000	GUIDING RAIL	1
22	75036018050	SUPPORTING SLEEVE 07	2
23	0025060306S	HH collar screw M6x30 TX30	2
24	0770180020	o-ring 18.00x2.00 NBR70	1
30	76636010444	Camshaft cmpl.	1

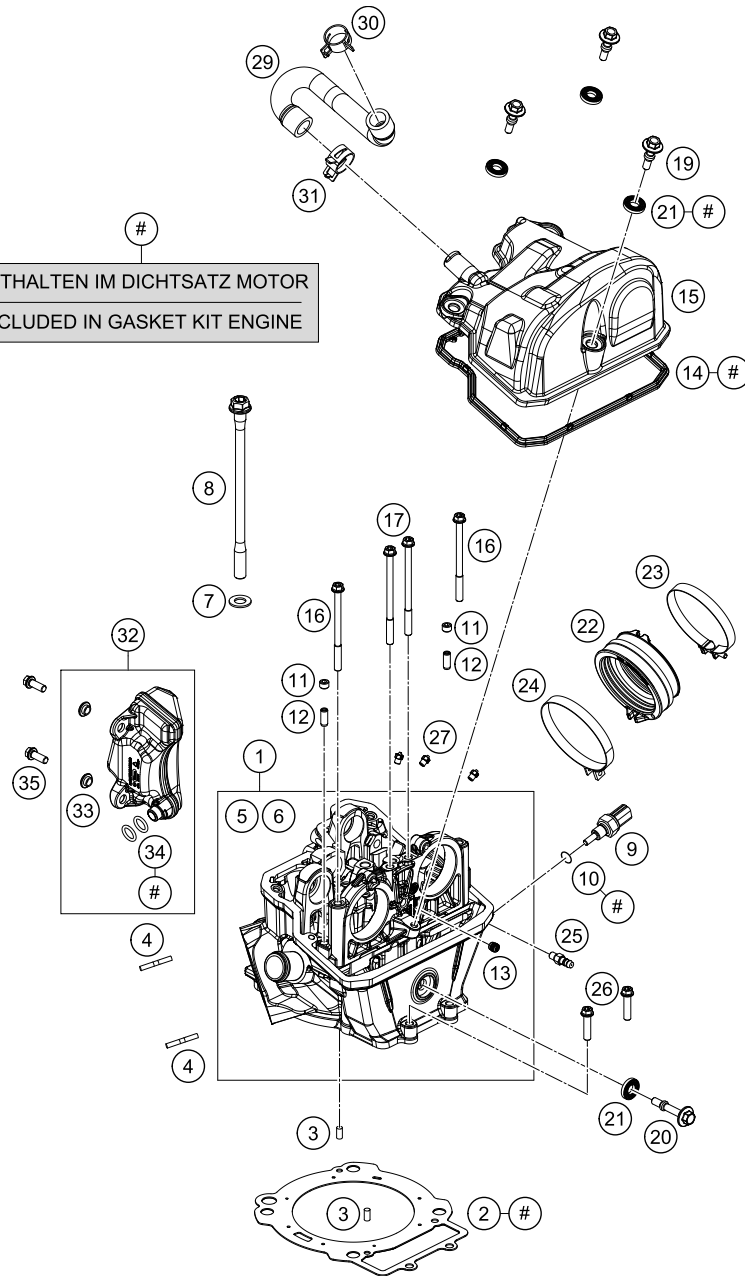
187663620

53285

* NEW PART

X ON DEMAND

ENTHALTEN IM DICHTSATZ MOTOR
INCLUDED IN GASKET KIT ENGINE



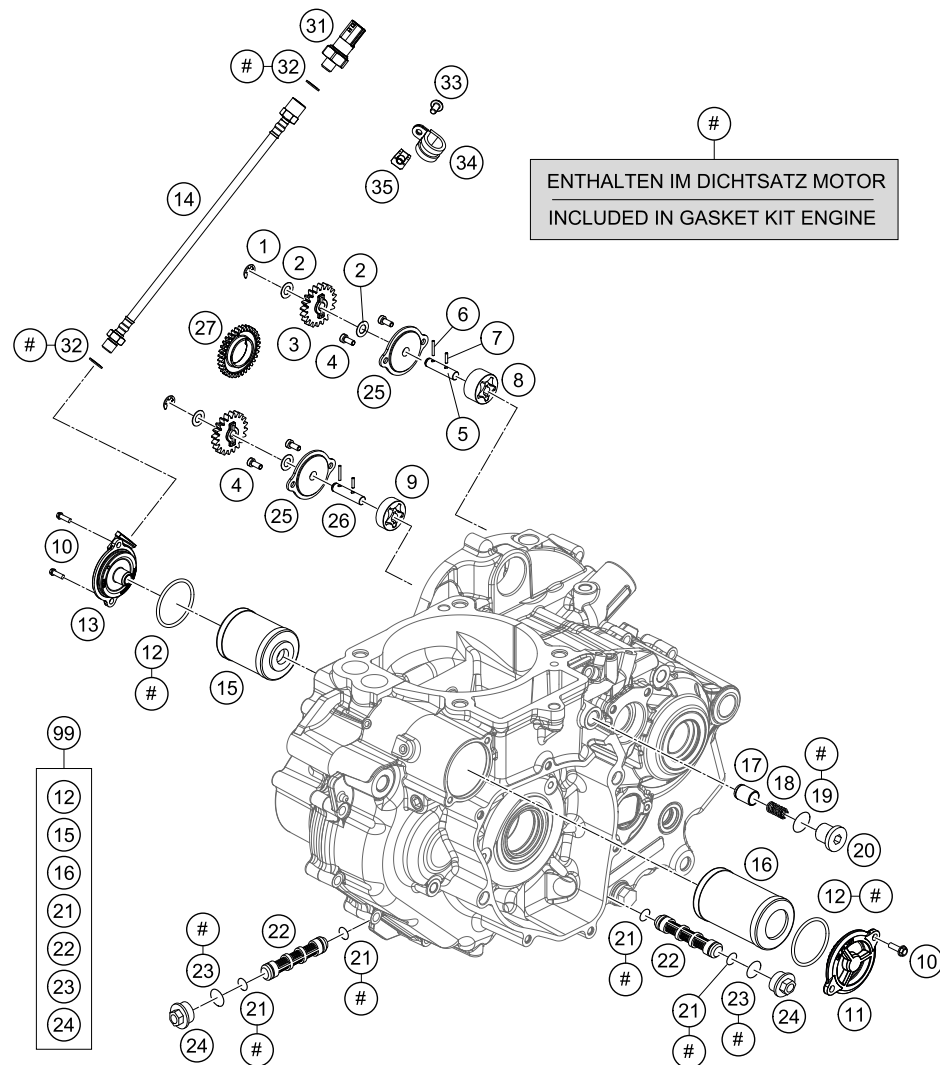
177663630

POS	PARTNUMBER	PARTNAME	PIECE
1	7693612004424	Cylinder head cpl.	1
2	76630036000	CYLINDER HEAD GASKET Ø105	1
3	0474050100	GROOVED PIN DIN1474 5X10	2
4	63505015000	stud screw 835 M8x25 - 10.9	2
5	76636026001	VALVE GUIDE 6MM	2
6	61236025001	VALVE GIUDE INTAKE 6MM	2
7	60036078050	SHIM 10,2X19X1,5MM 05	4
8	75036079000	CYLINDERHEAD SCREW M10X168WS14	4
9	75035047000	TEMPERATURE SENSOR WATER 07	1
10	0770100020	o-ring 10.00x2.00 silicone	1
11	0913080060S	THREAD PIN DIN913-M8X6 PRE30	2
12	0979060160	PIN DIN7979 6X16	2
13	59030296000	SCREW PLUG	1
14	76636053000	VALVE COVER GASKET	1
15	7663605200033	VALVE COVER	1
16	0025060806	HH COLLAR SCREW M6X80 TX30	2
17	0025060906	HH COLLAR SCREW M6X90 TX30	2
19	78036054100	VALVE COVER SCREW	3
20	75036055000	valve mechanism cover screw	1
21	75036052010	decoupling element	4
22	27036044000	Rubber sleeve	1
23	75036047000	HOSE CLAMP GEMI 70MM	1
24	61336048000	HOSE CLAMP GEMI 75	1
25	60036023200	VACUUM CONNECTION M6/0.75MM	1
26	0025060256S	SK-BUNDSCHRAUBE M6X25 ISA30	2
27	60030063050	oil jet 50 M5	3
29	27030088000	Pre-formed hose	1
30	00050226706	VARIABLE ONE-EAR CLAMP 22,6MM	1
31	00049210121	CLAMP 21X12 STD-DES	1
32	76636065000	RESONATOR ASSY.	1
33	69004060050	BUSHING CHAIN GUARD 08	2
34	0770116241	O-RING 11,3 X2,4 SILICON	2
35	0025060126	HH collar screw M6x12 TX30	2

53522

* NEW PART

X ON DEMAND



ENTHALTEN IM DICHTSATZ MOTOR
INCLUDED IN GASKET KIT ENGINE

- 99
- 12
- 15
- 16
- 21
- 22
- 23
- 24

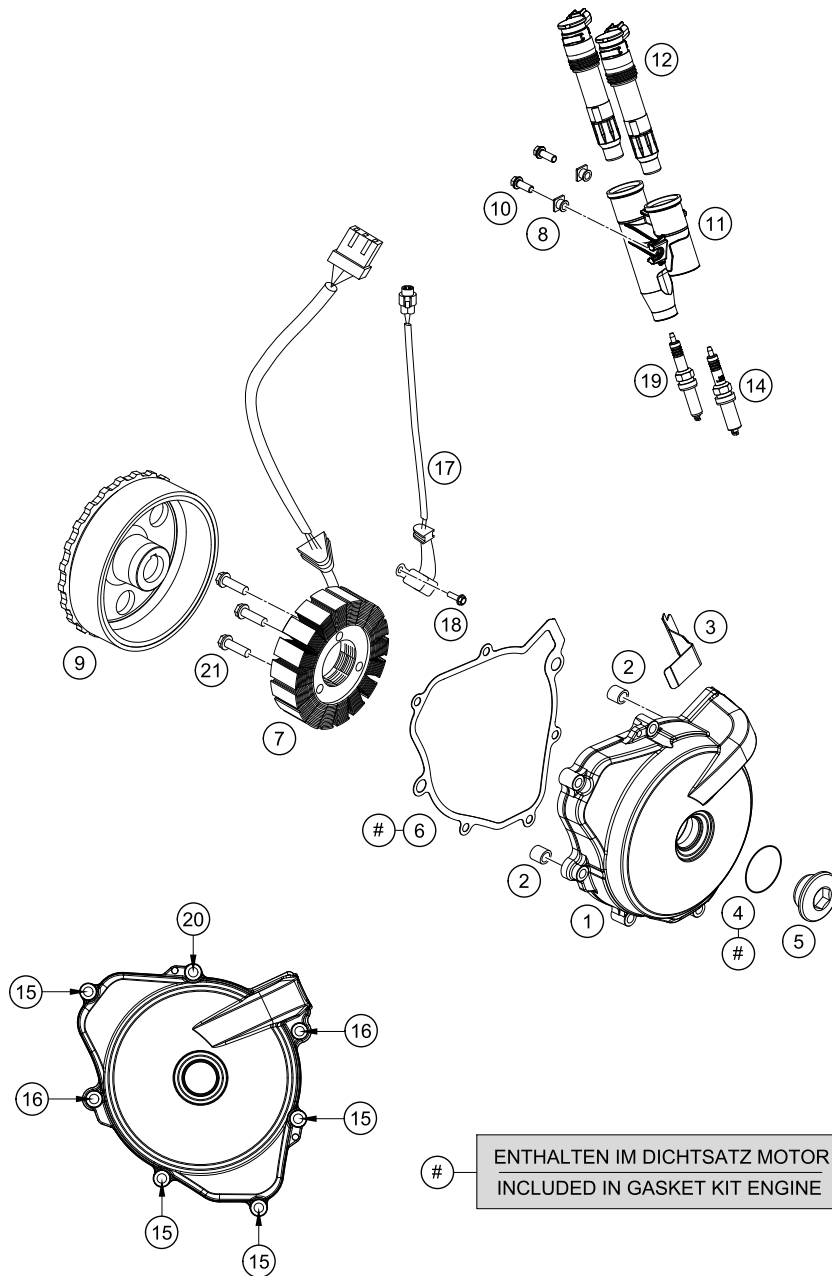
182703810

POS	PARTNUMBER	PARTNAME	PIECE
1	0799060000	TAB WASHER DIN6799-RS 6,0	2
2	58038007755	STOP DISK 8,1 X 15 X 0,5	4
3	75038001020	OIL PUMP GEAR 20-T	2
4	073801050105S	Oval head screw ISR M5x10-10.9 ISR25	4
5	75038002000	OIL PUMP SHAFT 07	1
6	0402251980	NEEDLEROL.DIN5402 NRA 2,5X19,8	2
7	0402251180	NEEDLE ROLLER DIN5402 2,5X11,8	2
8	77038011100	OIL PUMP ROTOR COMPL. 15MM	1
9	59038011110	OIL PUMP ROTOR COMPL. 10MM	1
10	0025050166	HH collar screw M5x16 TX30	4
11	75038041200	oil filter cover	1
12	07700390261	O-RING 39,34X2,62	2
13	76038041000	OILFILTER COVER	1
14	76538034000	OIL PIPE	1
15	75038046100	OIL FILTER SHORT	1
16	58038005100	OIL FILTER LONG	1
17	58038028000	VALVE PISTON D=10MM	1
18	58538023000	OIL PRES.SPRING 5 BAR RED 2001	1
19	58038022000	CU-SEAL RING DIN7603-12X18X1,5	1
20	0908120153	threaded plug DIN 908 M12x1.5	1
21	07701250151	O-RING 12,5X1,5 VITON V75	4
22	59038016100	OIL SCREEN	2
23	0770180020	o-ring 18.00x2.00 NBR70	2
24	59038017100	PLUG M20X1,5 WS=13	2
25	75038003100	oil pump cover	2
26	75038004000	OIL PUMP SHAFT 07	1
27	75032050001	OIL PUMP DRIVE WHEEL 07	1
31	61238091100	oil pressure switch "BITRON"	1
32	0603100141	sealing ring DIN 7603 10x14x1	2
33	58605083014	SCREW M5X14 TORX 25 07	1
34	49007439000	CLAMP RSGU 15/12	1
35	69008021080	clip nut M5	1
99	75038046110	OILFILTER SERVICEKIT 690 12-14	x

53287

* NEW PART

X ON DEMAND



POS	PARTNUMBER	PARTNAME	PIECE
1	7503000210041	IGNITION COVER	1
2	49030090000	DOWEL 9,8 X 7 X 10	2
3	60039040020	generator line bracket	1
4	07700240251	o-ring 24.00x2.50 Viton	1
5	6003009400030	threaded plug M24x1.5 PA 6.6	1
6	75030040000	IGNITI.COVER GASKET 07	1
7	75039004100	STATOR	1
8	76036075050	INSET	2
9	75039005200	ROTOR	1
10	0025060166	HH collar screw M6x16 TX30	2
11	76636075000	STICKCOIL HOLDER	1
12	76039006000	STICK COIL	2
14	60439093000	SPARK PLUG M12X1.25	1
15	0025060256	HH collar screw M6x25 TX30	4
16	0025060306	HH collar screw M6x30 TX30	2
17	75039034000	PULSER COIL	1
18	5900962016	SPECIAL SCREW M6X16 WS=8 10.9	2
19	60439094000	SPARK PLUG M10X1	1
20	0025060256S	SK-BUNDSCHRAUBE M6X25 ISA30	1
21	0025060306S	HH collar screw M6x30 TX30	3

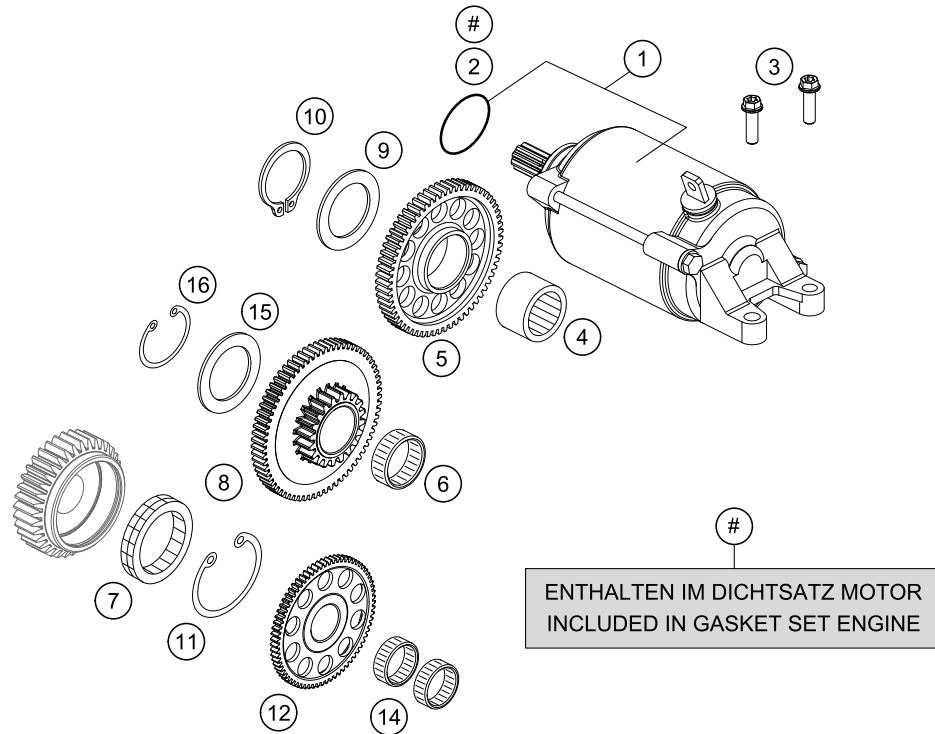
ENTHALTEN IM DICHTSATZ MOTOR
INCLUDED IN GASKET KIT ENGINE

207663911

53523

* NEW PART

X ON DEMAND



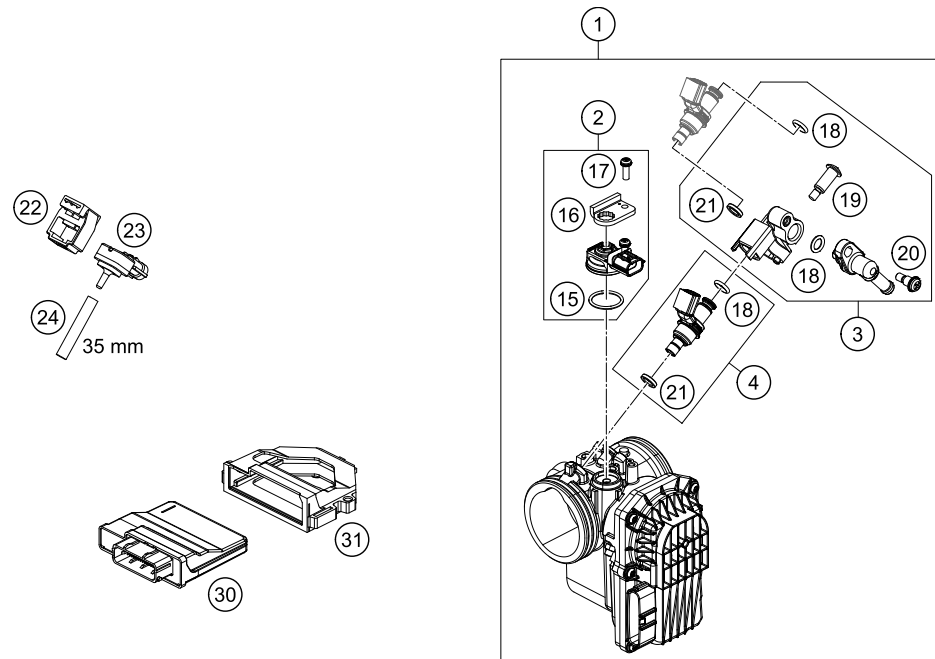
POS	PARTNUMBER	PARTNAME	PIECE
1	76640001000	E-Starter Engine cpl.	1
2	0770244031	O-Ring 24,40 x 3,10 NBR 70	1
3	0025060206	HH collar screw M6x20 TX30	2
4	0618172312	NEEDLE SLEEVE HK 1712 17X23X12	1
5	75040022100	STARTER INTERMEDIATE GEAR	1
6	0405172117	NEEDLE BEARING K17X21X17	1
7	76640026000	FREE WHEEL	1
8	75040015100	TORQUE LIMITER	1
9	54633090000	STOP DISK 17,2X25X1	1
10	0471170010	CIRCLIP DIN0471-17X1	1
11	0472056200	CIRCLIP DIN0472 J56	1
12	75040020100	FREE WHEEL GEAR	1
14	0405263013	NEEDLE BEAR. K 26X30X13	2
15	75040015007	STOP DISK 17,2X22X1	1
16	0471170100	CIRCLIP DIN 0471-17X1	1

187664010

49326

* NEW PART

X ON DEMAND



POS	PARTNUMBER	PARTNAME	PIECE
1	76641001000	THROTTLE BODY	1
2	75041085044	MAP SENSOR CPL. 07	1
3	75041013044	FUEL RAIL ASSY SET 07	1
4	76041023044	FUEL INJECTOR ASSY SET	1
15	75041085010	O-RING	1
16	75041085020	PLATE, STAY	1
17	75041085030	SCREW WASHER	1
18	75041023020	O-RING 7,2x2,2	2
19	75041013060	SCREW SHOULDER	1
20	75041013010	SCREW SHOULDER	1
21	75041023010	SEAL RING	1
22	61041085150	RUBBER SUPP. PRESSURE SENS. 06	1
23	61041085100	PRESSURE SENSOR 06	1
24	60031098001	HOSE 3,2X8,5 PER METER	x
30	61341031300	Control unit EFI	1
31	60341031050	ECU RUBBER BRACKET	1

197684110

53532

* NEW PART

X ON DEMAND

A large, empty rectangular box with a thin black border, occupying the majority of the page. It is intended for the user to write notes during the training session.

WWW.KTM.COM



KTM Sportmotorcycle GmbH
5230 Mattighofen, Austria
www.ktm.com



KTM_POWERPARTS

KTM_POWERWEAR

KTM_ORIGINAL SPARE PARTS



088525TEN

Art. Nr.: 088525TEN 24. Sep 2019