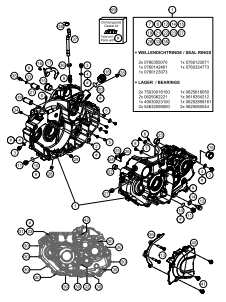
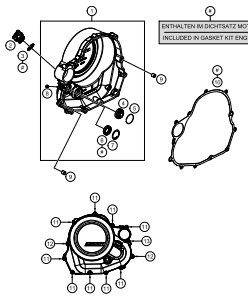
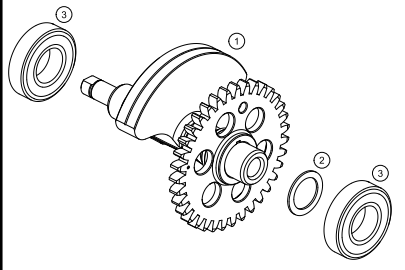
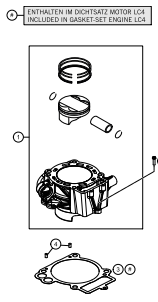
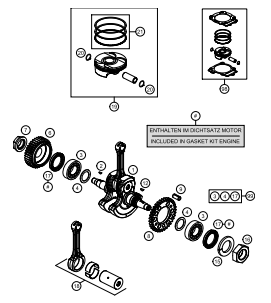
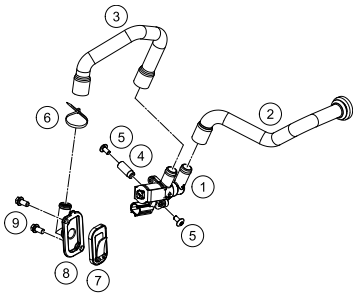
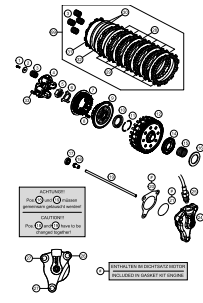
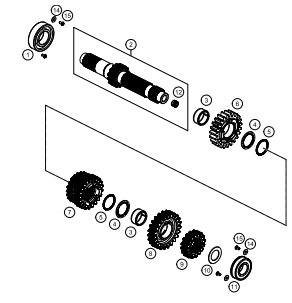
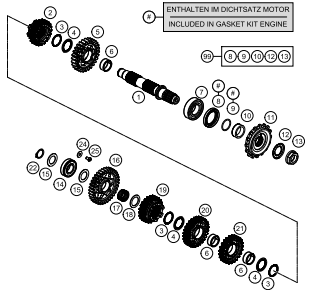
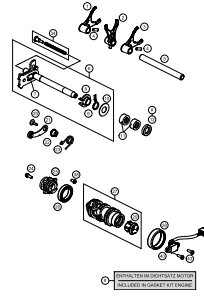
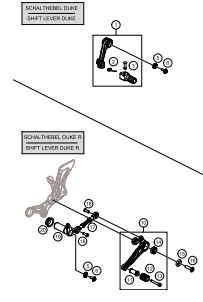
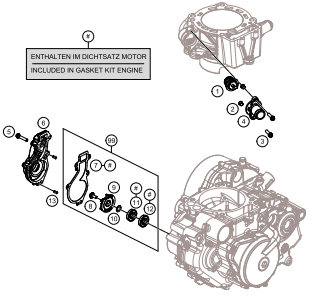


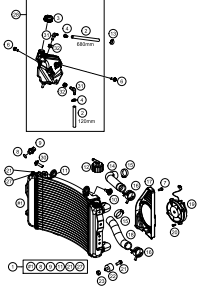
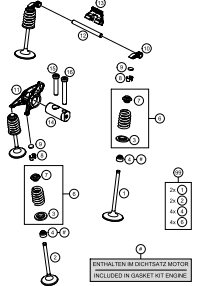
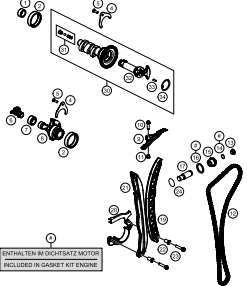
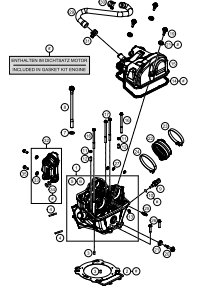
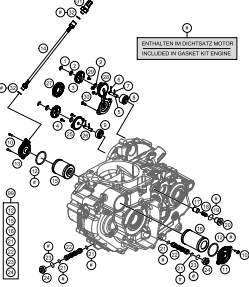
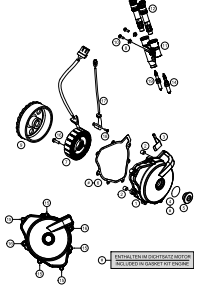
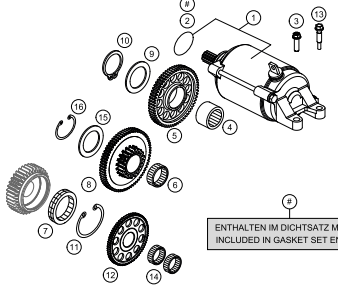
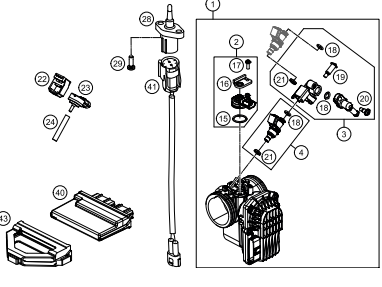
# MOTOR 690 DUKE R IV 2017

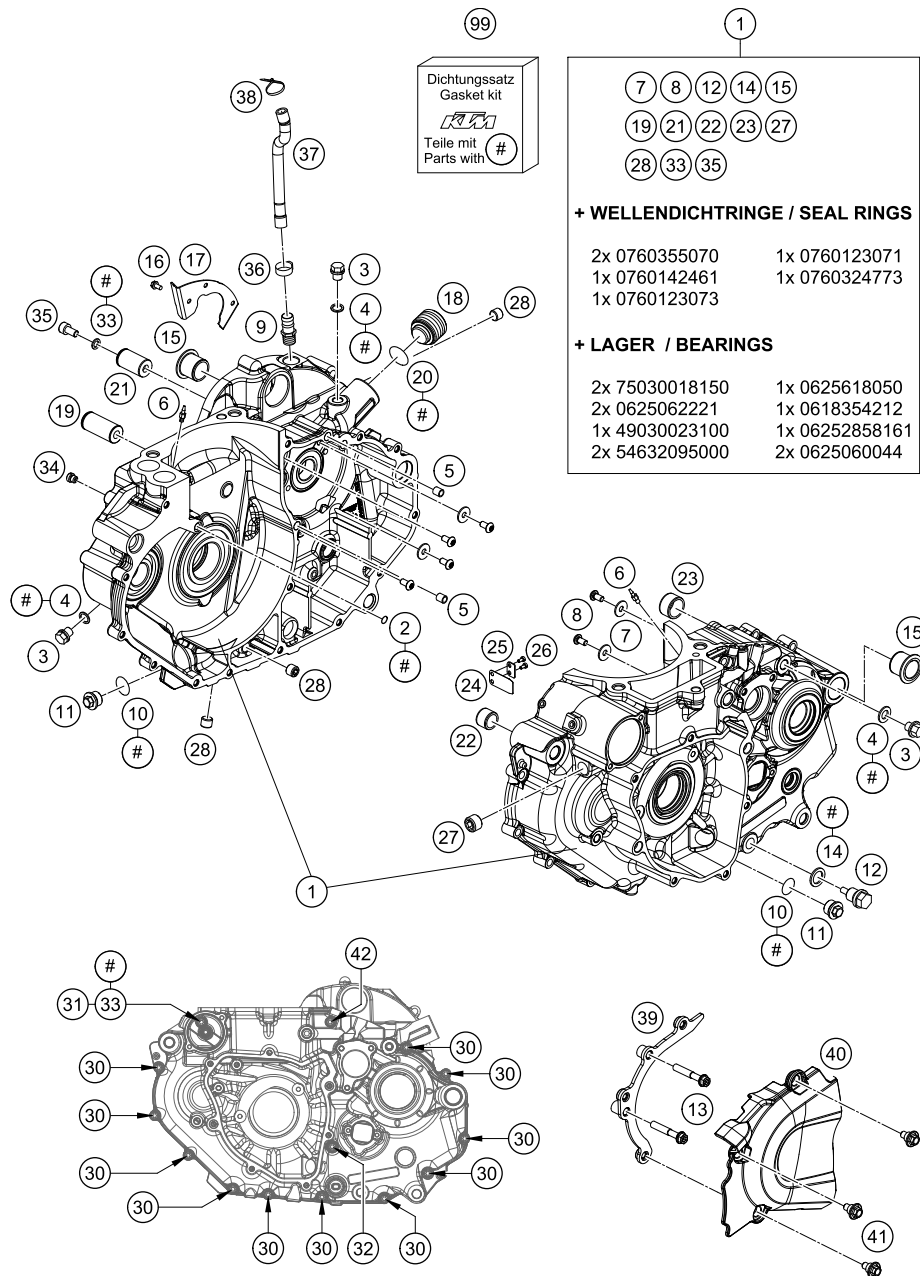
ART.-NR.: 088535QEN





<p><b>ENGINE CASE</b></p>  <p><b>3</b></p>	<p><b>CLUTCH COVER</b></p>  <p><b>5</b></p>	<p><b>BALANCER SHAFT</b></p>  <p><b>6</b></p>	<p><b>CYLINDER</b></p>  <p><b>7</b></p>
<p><b>CRANKSHAFT, PISTON</b></p>  <p><b>8</b></p>	<p><b>SECONDARY AIR SYSTEM SAS</b></p>  <p><b>9</b></p>	<p><b>CLUTCH</b></p>  <p><b>10</b></p>	<p><b>TRANSMISSION I - MAIN SHAFT</b></p>  <p><b>11</b></p>
<p><b>TRANSMISSION II - COUNTERSHAFT</b></p>  <p><b>12</b></p>	<p><b>SHIFTING MECHANISM</b></p>  <p><b>13</b></p>	<p><b>SHIFT LEVER</b></p>  <p><b>14</b></p>	<p><b>WATER PUMP</b></p>  <p><b>15</b></p>

<p><b>COOLING SYSTEM</b></p>  <p style="text-align: right;"><b>16</b></p>	<p><b>VALVE DRIVE</b></p>  <p style="text-align: right;"><b>17</b></p>	<p><b>TIMING DRIVE</b></p>  <p style="text-align: right;"><b>19</b></p>	<p><b>CYLINDER HEAD</b></p>  <p style="text-align: right;"><b>20</b></p>
<p><b>LUBRICATING SYSTEM</b></p>  <p style="text-align: right;"><b>21</b></p>	<p><b>IGNITION SYSTEM</b></p>  <p style="text-align: right;"><b>22</b></p>	<p><b>ELECTRIC STARTER</b></p>  <p style="text-align: right;"><b>23</b></p>	<p><b>THROTTLE BODY</b></p>  <p style="text-align: right;"><b>24</b></p>
<div style="display: flex; align-items: center;"> <div style="background-color: #cccccc; width: 50px; height: 100px; display: flex; align-items: center; justify-content: center; margin-right: 20px;"> <span style="font-size: 40px; font-weight: bold;">!</span> </div> <div> <p>All information contained is without obligation. KTM Sportmotorcycle GmbH particularly reserves the right to modify any equipment, technical specifications, prices, colors, shapes, materials, services, service work, constructions, equipment and the like so as to adapt them to local conditions or to cancel any of the above items, all without previous announcement and without giving reasons. KTM may stop manufacturing certain models without previous notice. KTM shall not be held liable for any deviations of availability and/or ability to deliver, illustrations, descriptions, printing and/or other errors. The illustrated models partly contain extra equipment, which is not applied to standard models.</p> <p>© by KTM Sportmotorcycle GmbH, Mattighofen AUSTRIA; All rights reserved; Reprint, also in extracts, with written allowance of KTM Sportmotorcycle GmbH, Mattighofen only.</p> </div> </div>			



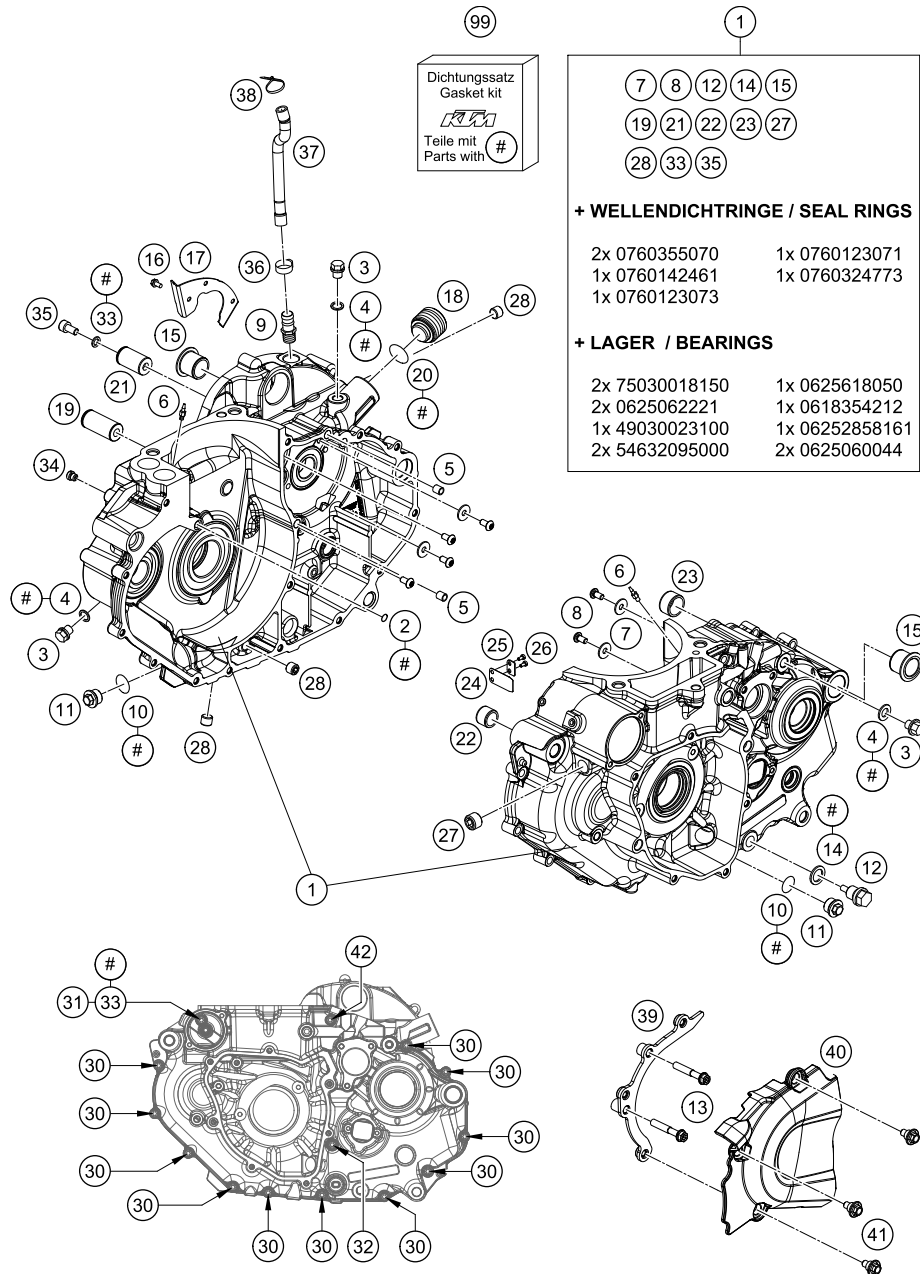
167663010

POS	PARTNUMBER	PARTNAME	PIECE
1	7663000003324	ENGINE CASE CPL.	1
2	0770060018	O-RING 6,00X1,78	1
3	0910100003	PLUG DIN0910-M 10X1	3
4	0603100141	COPPER GASKET DIN7603-10X14X1	3
5	59030023000	DOWEL 6X8X11,5	3
6	60030064050	OIL JET 50 M6X0,75 WS8 05	2
7	0021050003	WASHER DIN9021-A 5,3	4
8	073800501002	PAN HEAD SCREW M5X10 TX25	6
9	60030022000	VENTILATION CONNECTOR M16X1,5	1
10	0770020170	O-RING 17,17X1,78 GLO	2
11	59038017100	PLUG M20X1,5 WS=13	2
12	58030021000	OIDRAIN PLUG W.MAG. M 12X1,5	1
13	0025060356	HH COLLAR SCREW M6X35 TX30	2
14	58038022000	CU-SEAL RING DIN7603-12X18X1,5	1
15	75030010000	CASE BUSH	2
16	07984050100	AH SCREW DIN7984 M5X10 A2	3
17	75030042000	COVER	1
18	75038048100	LOCK PIECE	1
19	54633018400	BUSHING PIN	1
20	0770180020	O-RING 18,00X2,00 NBR 70	1
21	59040028000	BUSHING PIN	1
22	51030026100	DOWEL 17 X 13 X 12	1
23	54830027000	DOWEL 21X12 03	1
24	75030003051	MEMBRANE 07	1
25	75030003050	STOP SHEET MEMBRANE 07	1
26	0458030080	CYLIND.SCREW M3X8 ISO 14580 SS	2
27	0906140150	PLUG SCREW DIN0906 - M14X1,5	1
28	0906100100	PLUG DIN0906-M10X1	3
30	0025060306	HH COLLAR SCREW M6X30 TX30	11
31	0025060256	HH COLLAR SCREW M6X25 TX30	1
32	0025060706	HH COLLAR SCREW M6X70 TX30	1
33	0603061001	CU-SEAL RING DIN7603-6X10X1	2
34	75030058160	JET 160	1
35	0912060123	AH SCREW DIN0912-M 6X12	1
36	00049220121	CLAMP STD DN22	1
37	76030086000	ENGINE EXHAUST RETURN FLOW	1
38	44011076200	CABLE TIE 200/3,6MM BLACK	1
39	75030047000	SECURING GUIDE 07	1

17404

\* NEW PART

X ON DEMAND

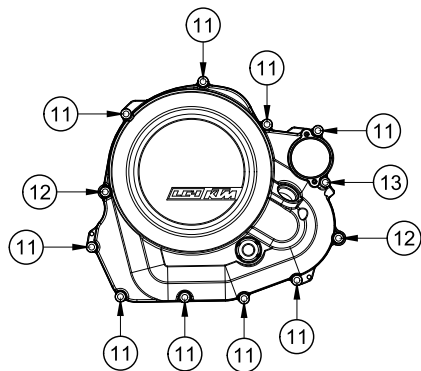
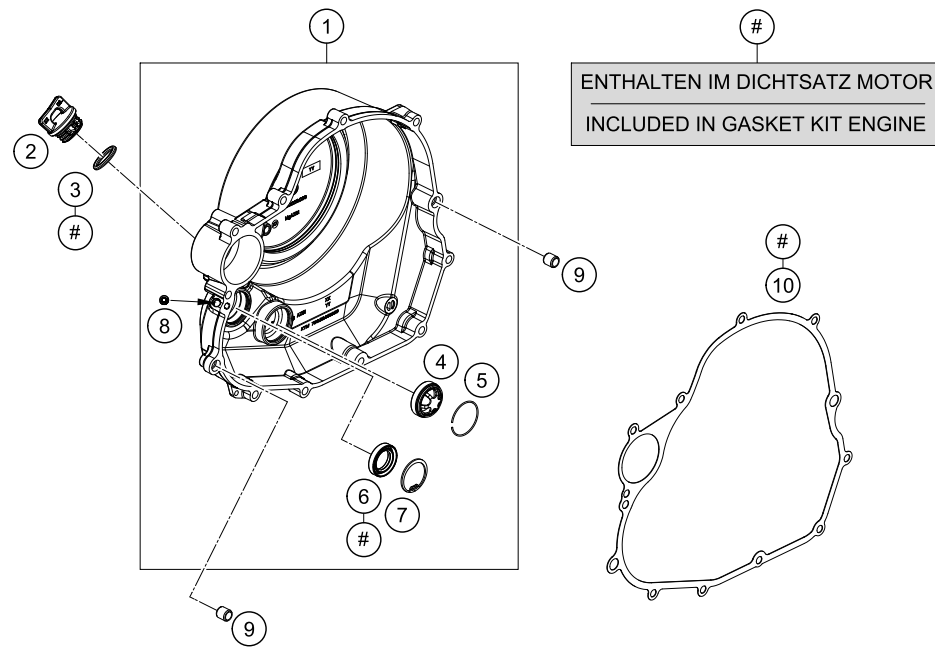


POS	PARTNUMBER	PARTNAME	PIECE
40	75030060100	CHAIN GUARD	1
41	59001092050	SPECIAL SCREW M6X12,5 WS=8	3
42	0025060806	HH COLLAR SCREW M6X80 TX30	1
99	76630099000	GASKET KIT 690 DUKE	1

17404

\* NEW PART

X ON DEMAND



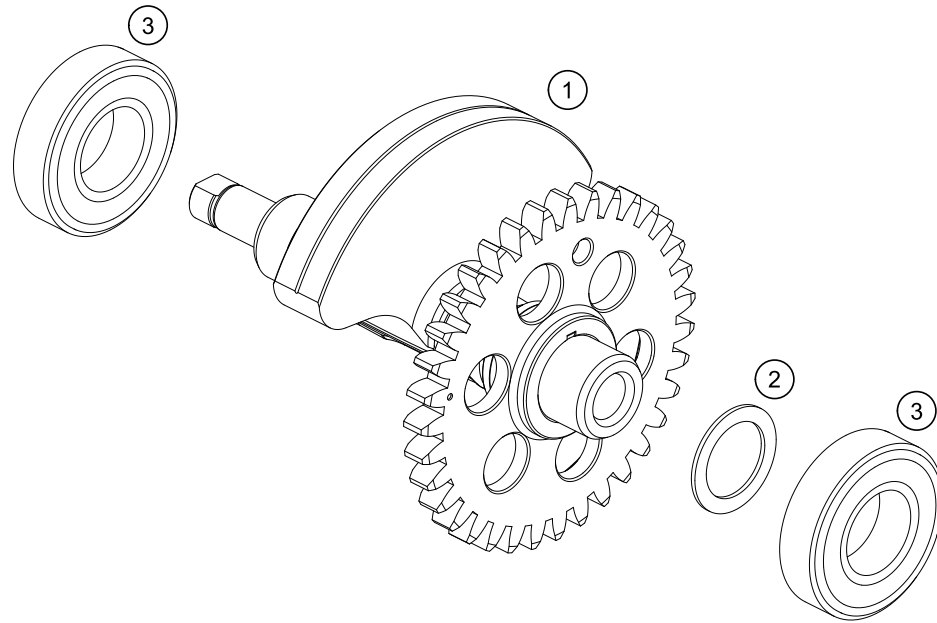
POS	PARTNUMBER	PARTNAME	PIECE
1	7663000104441	CLUTCH COVER CPL.	1
2	58030020100	PLUG CPL. M24X3	1
3	0770191015	O-RING 19,00X3,00 NBR	1
4	59030019200	OIL SIGHT GLASS	1
5	61030019050	CIRCLIP OIL LEVEL GLASS 03	1
6	0760172861	SHAFT SEAL RING 17X28X6 FKM	1
7	0472280120	CIRCLIP DIN0472-28X1,2	1
8	59030296000	SCREW PLUG	1
9	49030090000	DOWEL 9,8 X 7 X 10	2
10	75030025000	CLUTCH CASE GASKET 07	1
11	0025060256	HH COLLAR SCREW M6X25 TX30	9
12	0025060306	HH COLLAR SCREW M6X30 TX30	2
13	0025060356	HH COLLAR SCREW M6X35 TX30	1

167663020

17405

\* NEW PART

X ON DEMAND



POS	PARTNUMBER	PARTNAME	PIECE
1	76630057044	BALANCER SHAFT CPL.	1
2	0988223201	THRUST WASHER DIN0988-22X32X,1	x
2	09882232015	THRUST WASHERDIN0988-22X32X,15	x
2	0988223202	THRUST WASHER DIN0988-22X32X,2	x
2	0988223203	THRUST WASHER DIN0988-22X32X,3	x
3	0625062221	BALL BEARING 62/22 C4	2

167663030

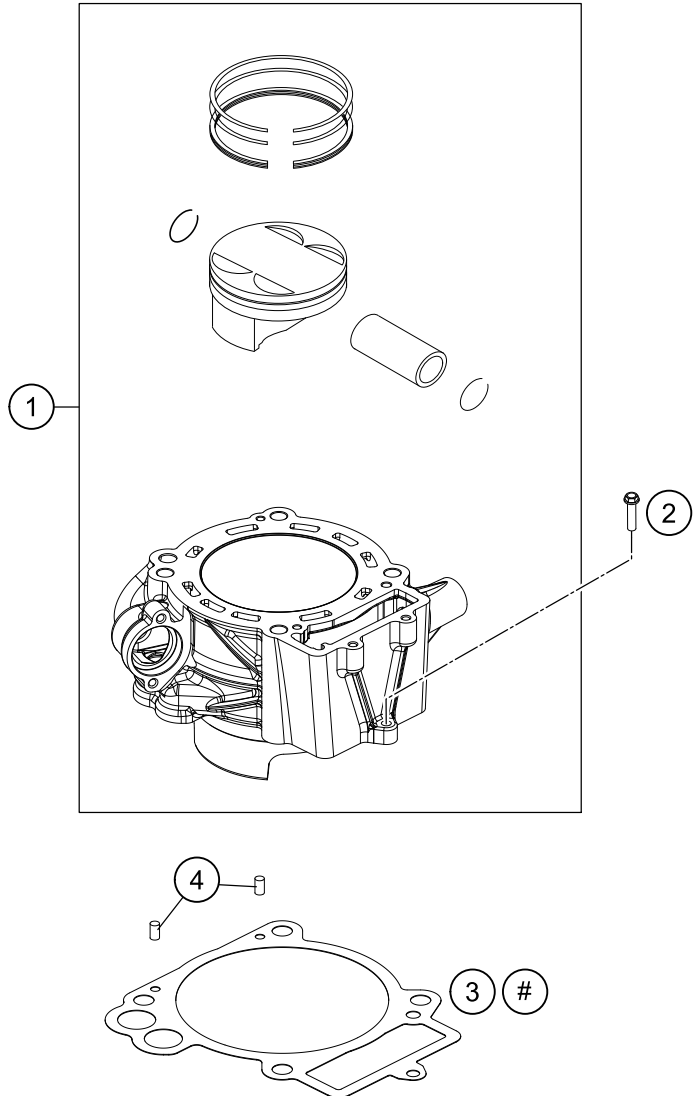
17406

\* NEW PART

X ON DEMAND



# ENTHALTEN IM DICHTSATZ MOTOR LC4  
INCLUDED IN GASKET-SET ENGINE LC4

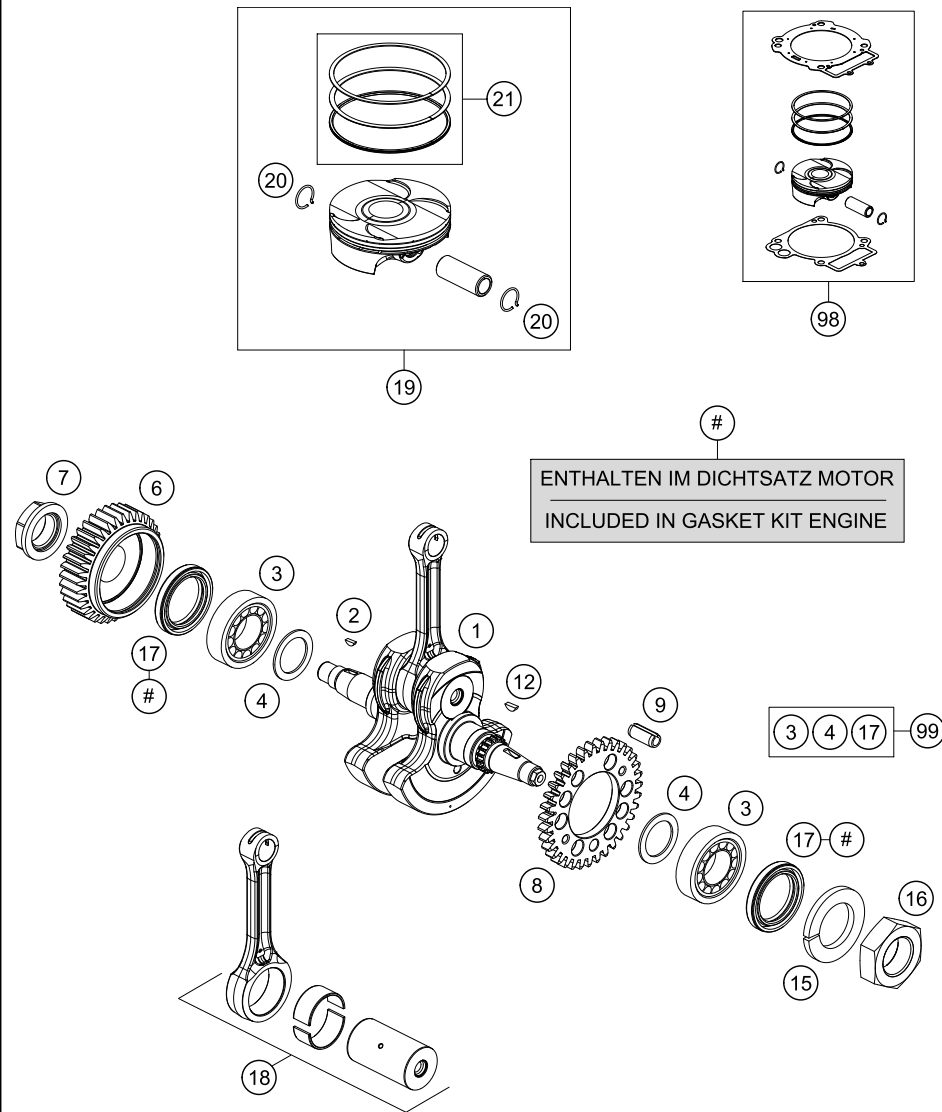


POS	PARTNUMBER	PARTNAME	PIECE
1	7663003810024	Cylinder + piston	1
2	0025060256	HH COLLAR SCREW M6X25 TX30	1
3	76630035000	CYLINDER BASE GASKET	1
4	59030023000	DOWEL 6X8X11,5	2

162703040

18500

\* NEW PART X ON DEMAND



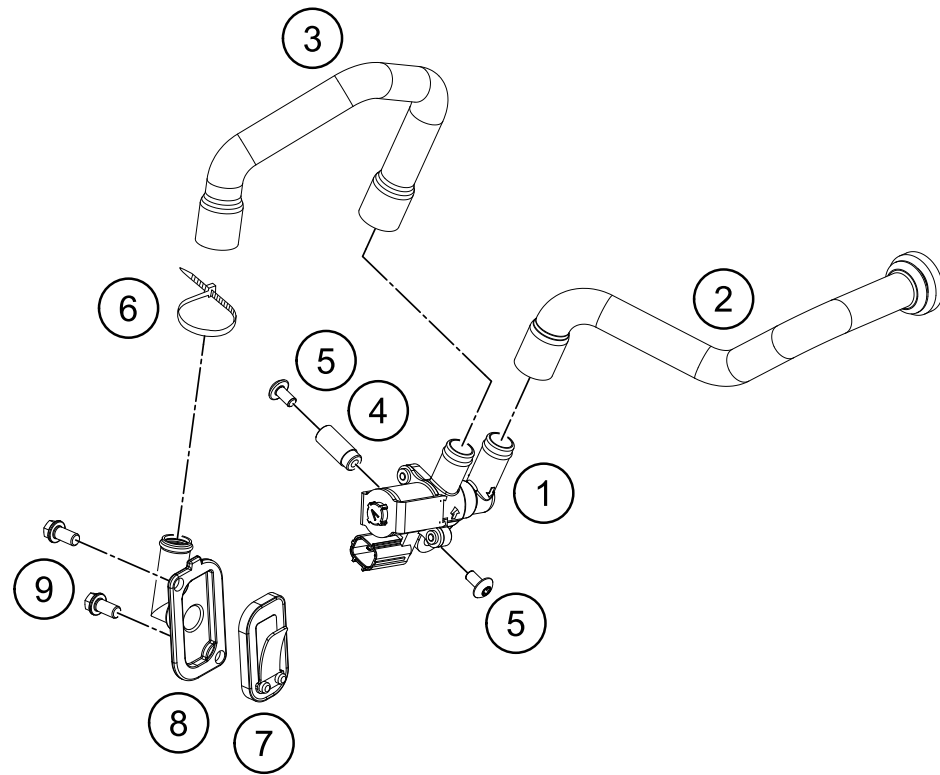
POS	PARTNUMBER	PARTNAME	PIECE
1	76630018000	CRANKSHAFT CPL.	1
2	0888040050	WOODRUFF KEY DIN6888 4X5X13	1
3	75030018150	CYL.ROLLER BEARING NJ207 ECPC4	2
4	56530081000	SHIM WASHER 36X48X0,10	x
4	56530081100	SHIM WASHER 36X48X0,15	x
4	56530081200	SHIM WASHER 36X48X0,20 STEEL	x
4	56530081300	SHIM WASHER 36X48X0,30	x
6	75032000102	PRIMARY GEAR 36T.	1
7	75030029100	NUT FOR PRIMARY GEAR	1
8	75030055100	DRIVE WHEEL BALANCING SHAFT	1
9	0749080300	TENSION PIN ISO13337 8X30	1
12	6946005	WOODRUFF KEY 5X6,5 HARDED	1
15	58132072000	LOCK WASHER VSK 18	1
16	0936181505	HEXAGON NUT DIN0936-M18X1,5 R.	1
17	0760355070	SHAFT SEAL R.35X50X7B VITON	2
18	76630015044	CONROD REPAIR KIT	1
19	76630007000 I	PISTON D=105	x
19	76630007000 II	PISTON D=105	x
20	75030074000	CIRCLIP LC4 07	2
21	76630031044	PISTONRING SET D=105	1
98	00050000237	PISTON KIT SIZE I 690 DUKE	x
98	00050000238	PISTON KIT SIZE II 690 DUKE	x
99	000500002305	CRANKSHAFT REP. KIT 690	x

167663060

17408

\* NEW PART

X ON DEMAND



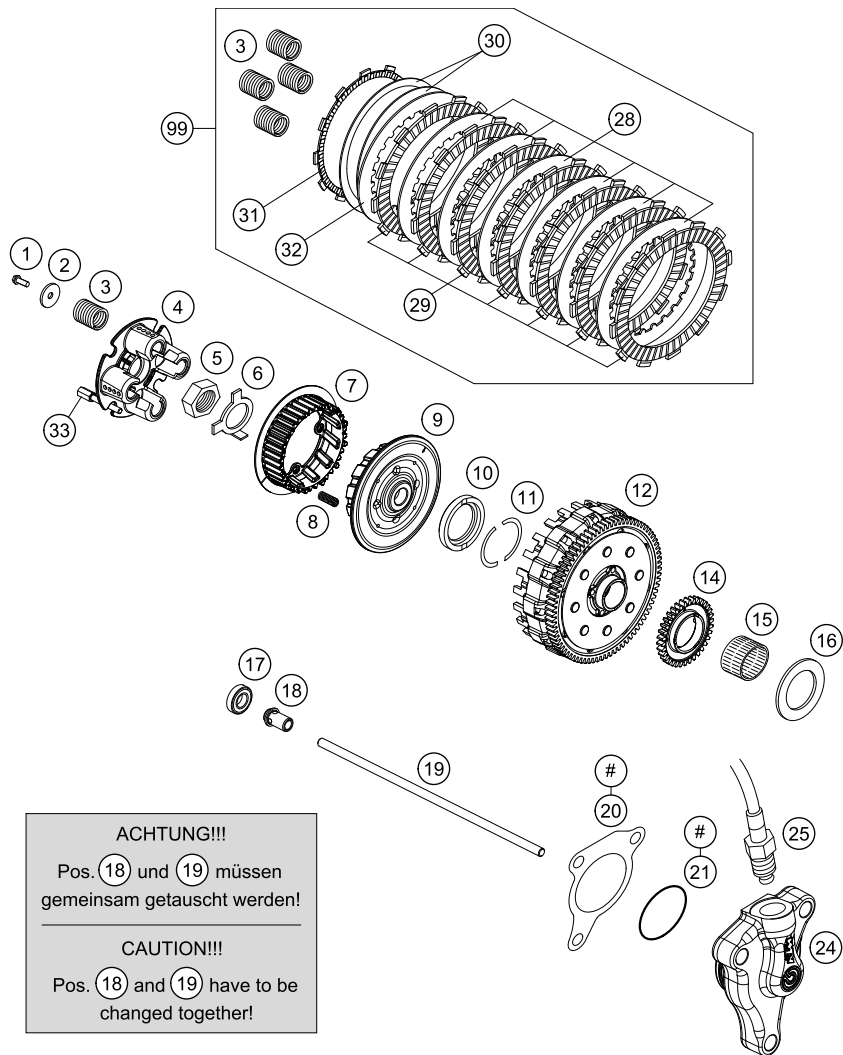
POS	PARTNUMBER	PARTNAME	PIECE
1	75005026000	SLS-VALVE 07	1
2	76005026000	SLS HOSE	1
3	76005027000	SLS HOSE	1
4	76005031000	SLS HOLDING BUSH	1
5	78105081010	SCREW TORX M5X10	2
6	44011076200	CABLE TIE 200/3,6MM BLACK	1
7	60005026000	SLS-VALVE 03	1
8	61205022000	SAS-FLANGE	1
9	0025060126	HH COLLAR SCREW M6X12 TX30	2

177663131

18868

\* NEW PART

X ON DEMAND

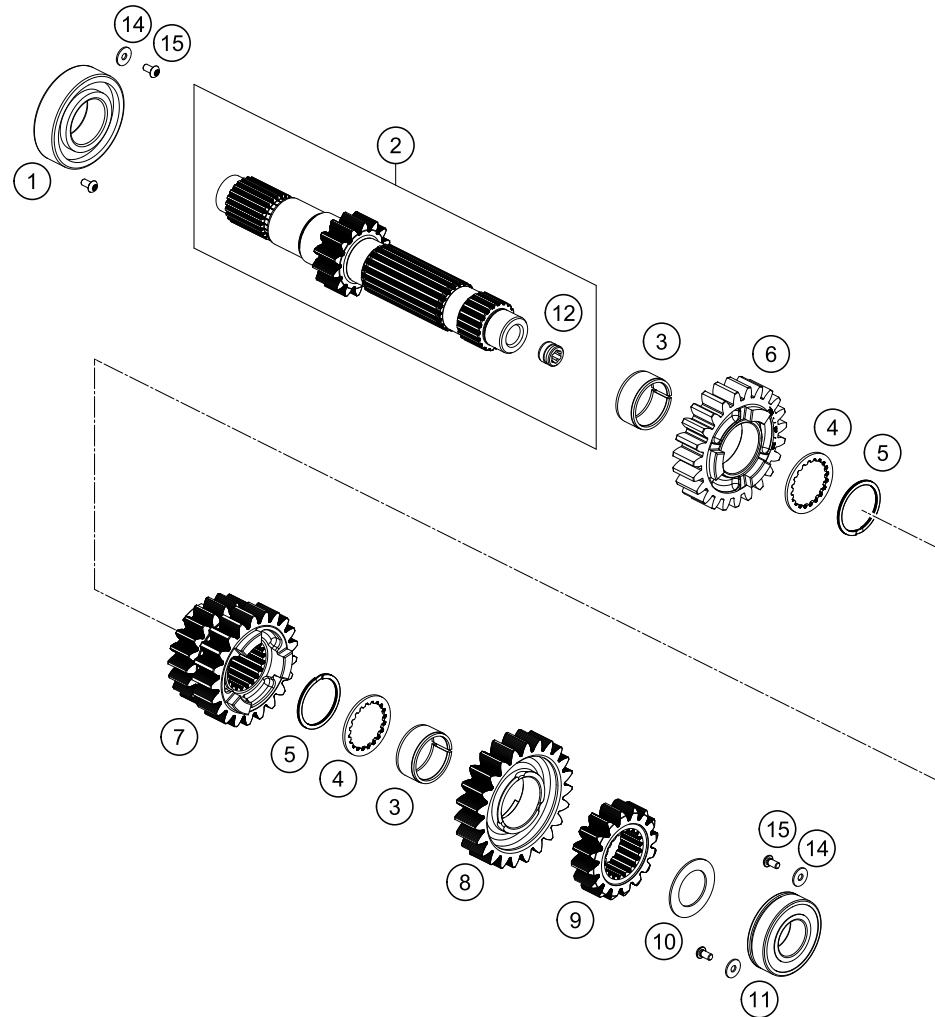


POS	PARTNUMBER	PARTNAME	PIECE
1	0025050256	HH COLLAR SCREW M5X25 ISA30	4
2	75032006000	SPRING RING 07	4
3	58532080001	CLUTCH SPRING 3,0X33,5	4
4	75032003000	PRESSURE CAP	1
5	60036073150	HEXAGON NUT M20X1,5 H=6MM 05	1
6	75032018000	LOCK WASHER 07	1
7	75032002002	INNER CLUTCH HUB MOVABLE	1
8	75032033000	CLUTCH RELEASE SPRING	4
9	75032002001	INNER CLUTCH HUB FIXED	1
10	75032009000	STEPPED WASHER 07	1
11	75032007000	HALF-WASHER 07	2
12	75032001144	CLUTCH CAGE CPL. 79T	1
14	75032050001	OIL PUMP DRIVE WHEEL 07	1
15	56532095000	NEEDLE BEARING K26X30X22ZW.KSE	1
16	75032017000	WASHER 26X40X2 07	1
17	0625060016	GROOV.BALL BEAR. 6001.2RSR C3	1
18	75032055100	PRESSURE BOLT 08	1
19	75032054200	PUSH ROD 08	1
20	59032065100	GASKET F. OUTPUT CYLINDER	1
21	0770300015	O-RING 30,00X1,50 NBR 70	1
24	79432061044	OUTPUT CYL. DOT KPL. 27MM	1
25	76032063000	CLUTCH PIPE 1100MM	1
26	0025060356	HH COLLAR SCREW M6X35 TX30	1
27	0025060206	HH COLLAR SCREW M6X20 TX30	2
28	75032112000	STEEL DISK 1,5 MM LC4 07	6
29	58332011300	LINING DISK 2,7MM FCC 02	7
30	58632016000	RONDELLA ANTIVIBRAZIONE SET	1
31	75032111100	LINING DISC CUT OUT	1
32	75032112100	STEEL DISK 1,5MM NITRIDED	1
33	75032032000	HOLDING SCREW GMB-M5X35	2
99	75032011110	CLUTCH KIT 690 LC4 08-14	1

167663210

17410

\* NEW PART X ON DEMAND



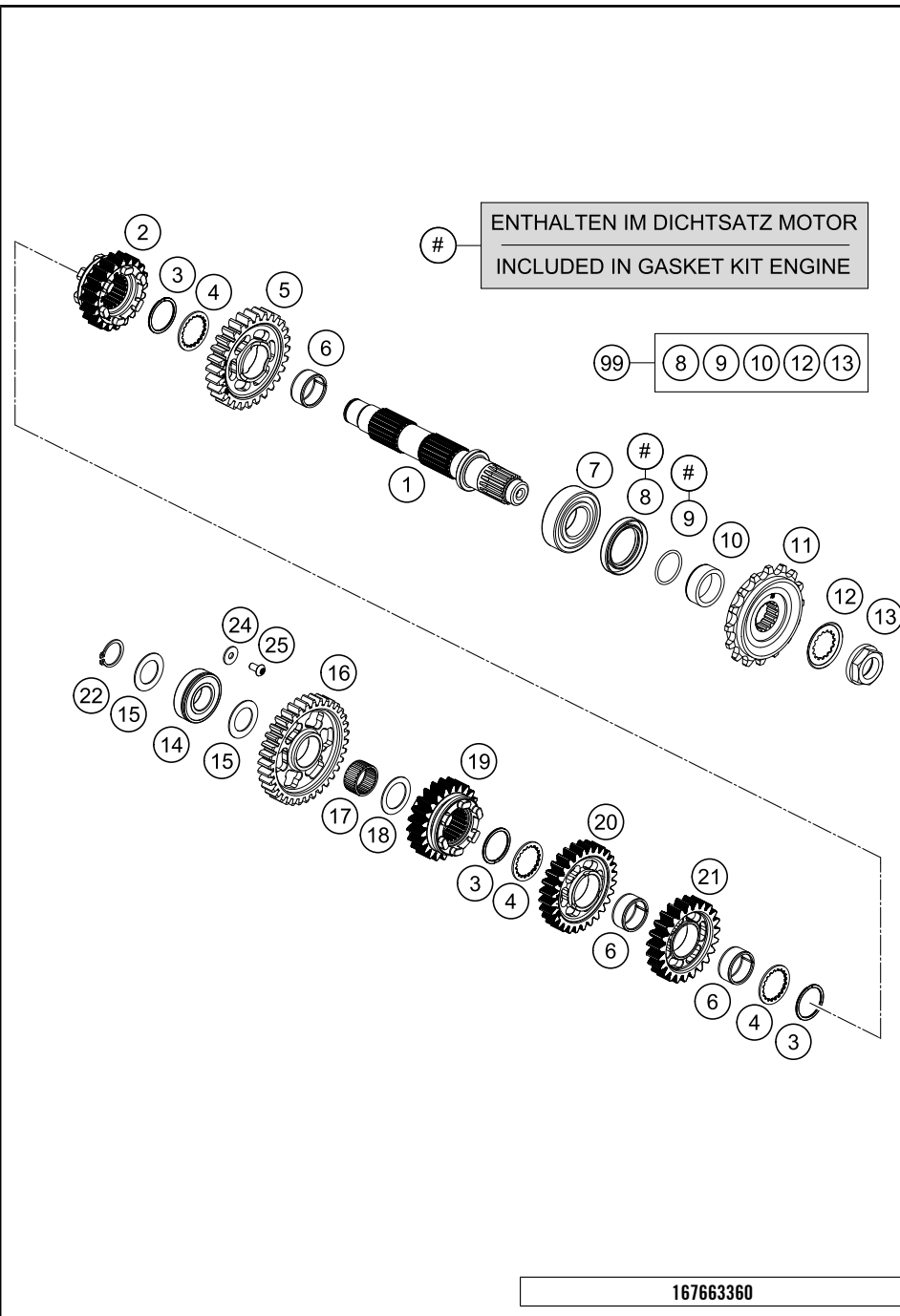
POS	PARTNUMBER	PARTNAME	PIECE
1	06252858161	BALL BEARING 58/28 C4 N	1
2	76633001000	MAIN SHAFT CPL.	1
3	0405242813G	NEEDLE BEAR.K 24X28X13 DIVIDED	2
4	76633040000	STOP DISK 24.6X33X1.5	2
5	0471027000	CIRCLIP XDNS-27	2
6	76633005000	IDLER GEAR 5. GEAR	1
7	76633003000	SLIDING GEAR 3./4. GEAR	1
8	76633006000	IDLER GEAR 6. GEAR	1
9	76633002000	SOLID GEAR 2. GEAR	1
10	59033080000	SHIM 20X32X1	1
11	0625060044	BALL BEARING 6004 DDUN C4	1
12	77333001160	GUIDE BUSHING	1
14	0021050003	WASHER DIN9021-A 5,3	3
15	073800501002	PAN HEAD SCREW M5X10 TX25	4

167663330

17411

\* NEW PART

X ON DEMAND



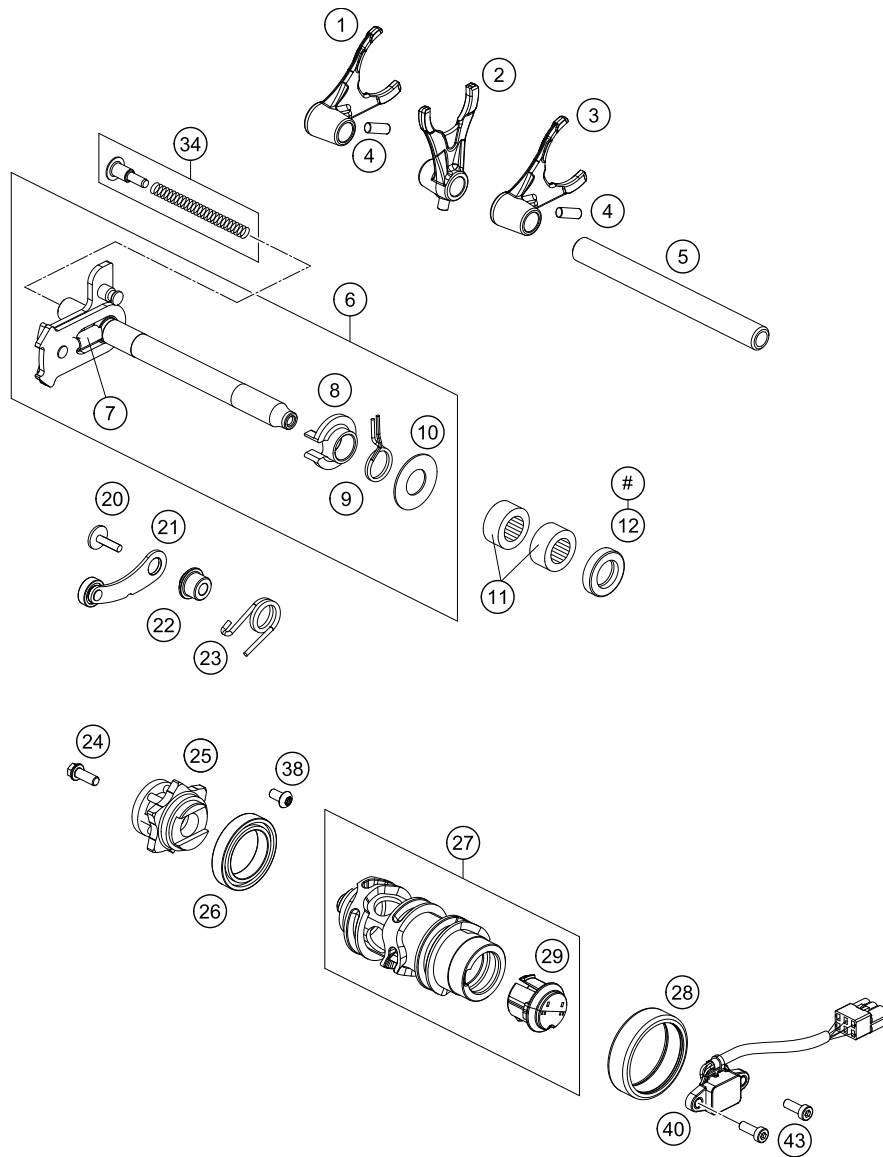
POS	PARTNUMBER	PARTNAME	PIECE
1	76633010000	COUNTER SHAFT	1
2	76633016000	SLIDING GEAR 6. GEAR	1
3	0471027000	CIRCLIP XDNS-27	3
4	76633040000	STOP DISK 24.6X33X1.5	3
5	76633012000	IDLER GEAR 2. GEAR	1
6	0405242813G	NEEDLE BEAR.K 24X28X13 DIVIDED	3
7	49030023100	CYL.ROLLER BEARING NJ205 C4	1
8	0760324773	SHAFT SEAL R. 32X47X7BSL VITON	1
9	0770020220	O-RING 25,12X1,78 NBR70	1
10	54633014100	SPACER BUSHING 12MM	1
11	58033029115	ENGINE SPROCKET 15 T DAMPED	x
11	58033029116	ENGINE SPROCKET 16 T DAMPED	x
11	58033029117	ENGINE SPROCKET 17 T DAMPED	x
12	51033031000	LOCK WASHER	1
13	58033032200	SPROCKET M20x1.5	1
14	0625060044	BALL BEARING 6004 DDUN C4	1
15	59033080000	SHIM 20X32X1	2
16	76633011000	IDLER GEAR 1. GEAR	1
17	56533098000	NEEDLE BEARING K22X26X13H	1
18	54603036000	STOP DISK 22,2X31,7X1	1
19	76633015000	SLIDING GEAR 5. GEAR	1
20	76633013000	IDLER GEAR 3. GEAR	1
21	76633014000	IDLER GEAR 4. GEAR	1
22	0471200120	CIRCLIP DIN471 20X1,2	1
24	0021050003	WASHER DIN9021-A 5,3	1
25	073800501002	PAN HEAD SCREW M5X10 TX25	1
99	00050000946	COUNTER SHAFT REP.KIT 690	x

167663360

17412

\* NEW PART

X ON DEMAND



# ENTHALTEN IM DICHTSATZ MOTOR  
INCLUDED IN GASKET KIT ENGINE

167663410

POS	PARTNUMBER	PARTNAME	PIECE
1	75034002100	SHIFT FORK F. SLIDINGGEAR 5 12	1
2	75034001100	SHIFT FORK F. SLIDINGG. 3/4 12	1
3	75034003100	SHIFT FORK F. SLIDINGGEAR 6 12	1
4	0402061480	NEEDLE ROLLER DIN5402 6X14,8	2
5	75034019000	SHIFTRAIL 07	1
6	75034005133	SHIFT SHAFT ASSY	1
7	56534013100	TENSIONING SPRING 0,8MM	1
8	54634020000	SPRING GUIDE	1
9	54634014100	RETURN SPRING 2,2MM '95	1
10	75034050000	STOP DISK 14X30X1,5 STEEL	1
11	54632095000	NEEDLE BEAR.HK 1412 14X20X12	2
12	0760142461	SHAFT SEAL RING 14X24X6B VITON	1
20	0024060206	HH COLLAR SCREW M6X20 TX30	1
21	75034024044	LOCKING LEVER CPL. 07	1
22	75034052000	SLEEVE FOR LOCKING LEVER 07	1
23	60034023000	ARRESTING LEVER SPRING 03	1
24	0012060303	AH SCREW DIN6912 M6X30 8.8	1
25	75034015000	SHIFT DRUM LOCATING CPL. 07	1
26	0625618050	BALL BEARING 61805 C3	1
27	76634012044	SHIFTING DRUM CPL.	1
28	0618354212	NEEDLE BEAR HK3512 35X42X12	1
29	79234012020	MAGNET HOLDER CPL.	1
34	75034007044	SPRING F. SHIFTING SHAFT CPL.	1
38	073800501002	PAN HEAD SCREW M5X10 TX25	1
40	60411023000	GEAR POSITION SENSOR	1
43	0984050143S	CYL. SCREW DIN6912 M5X14 8.8	2

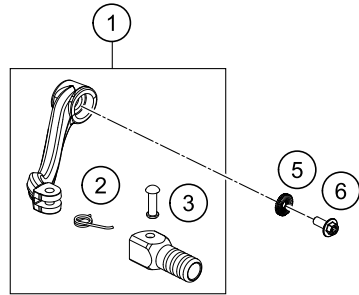
17413

\* NEW PART X ON DEMAND

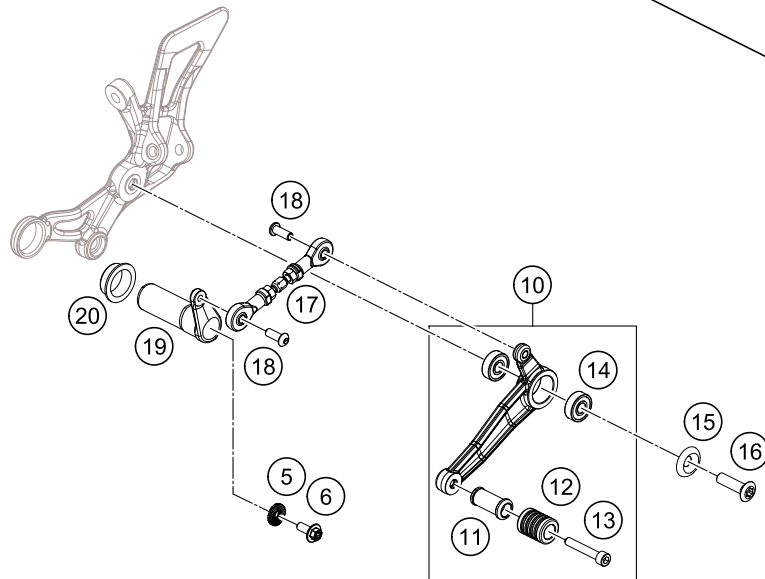
# SHIFT LEVER

# MOTOR 690 DUKE R IV 2017

SCHALTHEBEL DUKE  
SHIFT LEVER DUKE



SCHALTHEBEL DUKE R  
SHIFT LEVER DUKE R



167663420

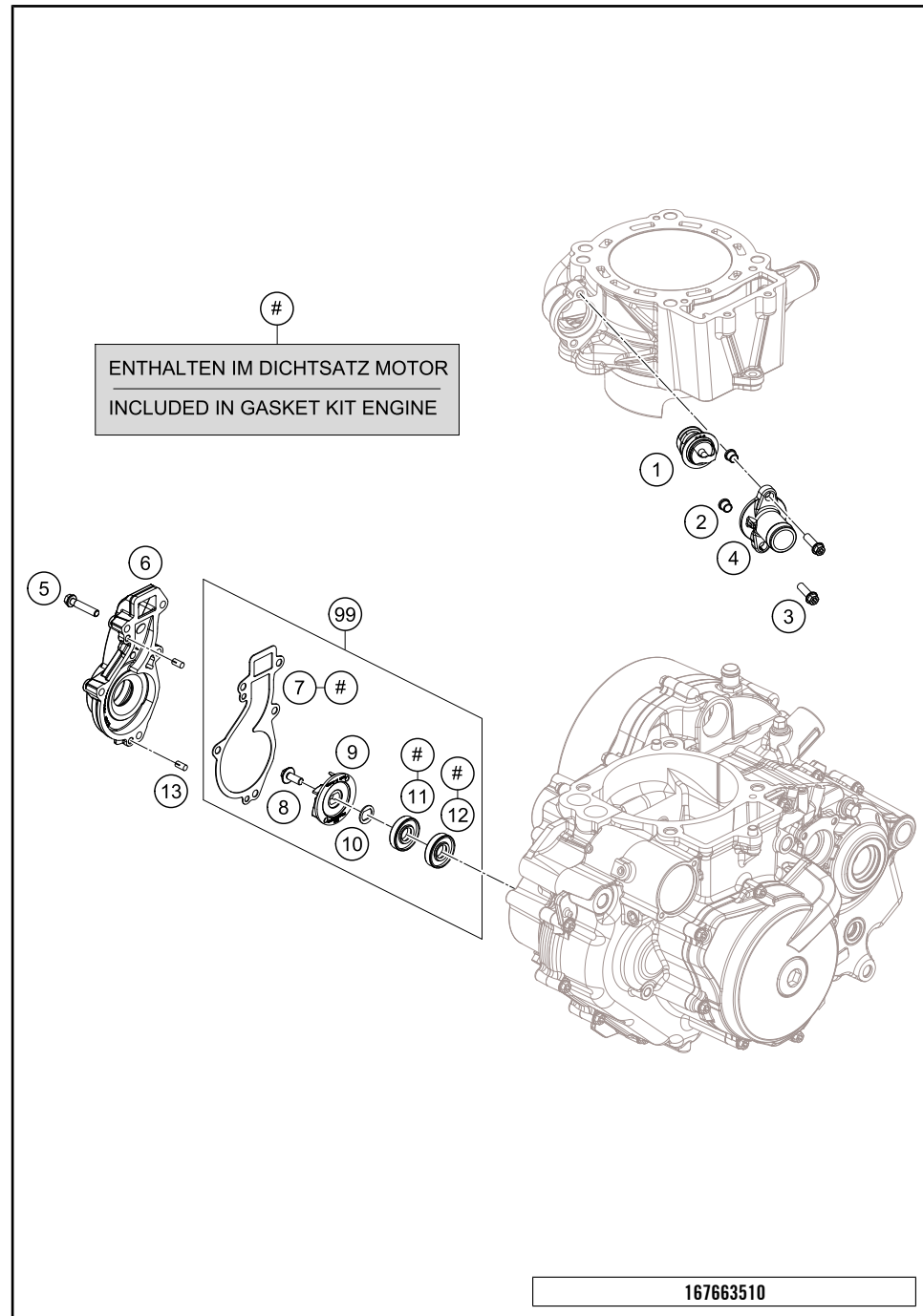
17414

POS	PARTNUMBER	PARTNAME	PIECE
1	75034031000	SHIFT LEVER CPL. 07	1
2	75034032000	SHIFTING LEVER SPRING	1
3	54634031050	BOLT 6X25 FOR SHIFT LEVER	1
5	50233041500	PAIR NORDLOCK WASHER M6	1
6	0024060156S	HH COLLAR SCREW M6X15 TORX30	1
10	7603403104433S	SHIFTING LEVER CPL.	1
11	69034032100	GEAR LEVER	1
12	61034035000	RUBBER FOR SHIFT LEVER 05	1
13	0912060453	AH SCREW DIN0912-M 6X45	1
14	0625006087	GROOVED BALL BEAR. 608 2RS C3	2
15	58303061100	SPECIAL WASHER ALU 8X24 MM ELO	1
16	0019080306S	COUNTER-SUNK SCREW ISA45 M8X30	1
17	76034036000	SHIFT LEVER	1
18	0738060161	FLAT HEAD SCREW ISO7380 M6X16	2
19	7600317000033	LEVER ARM	1
20	76034038000	SLIDE BEAR. IGUS JFM-222532-08	1

\* NEW PART

X ON DEMAND



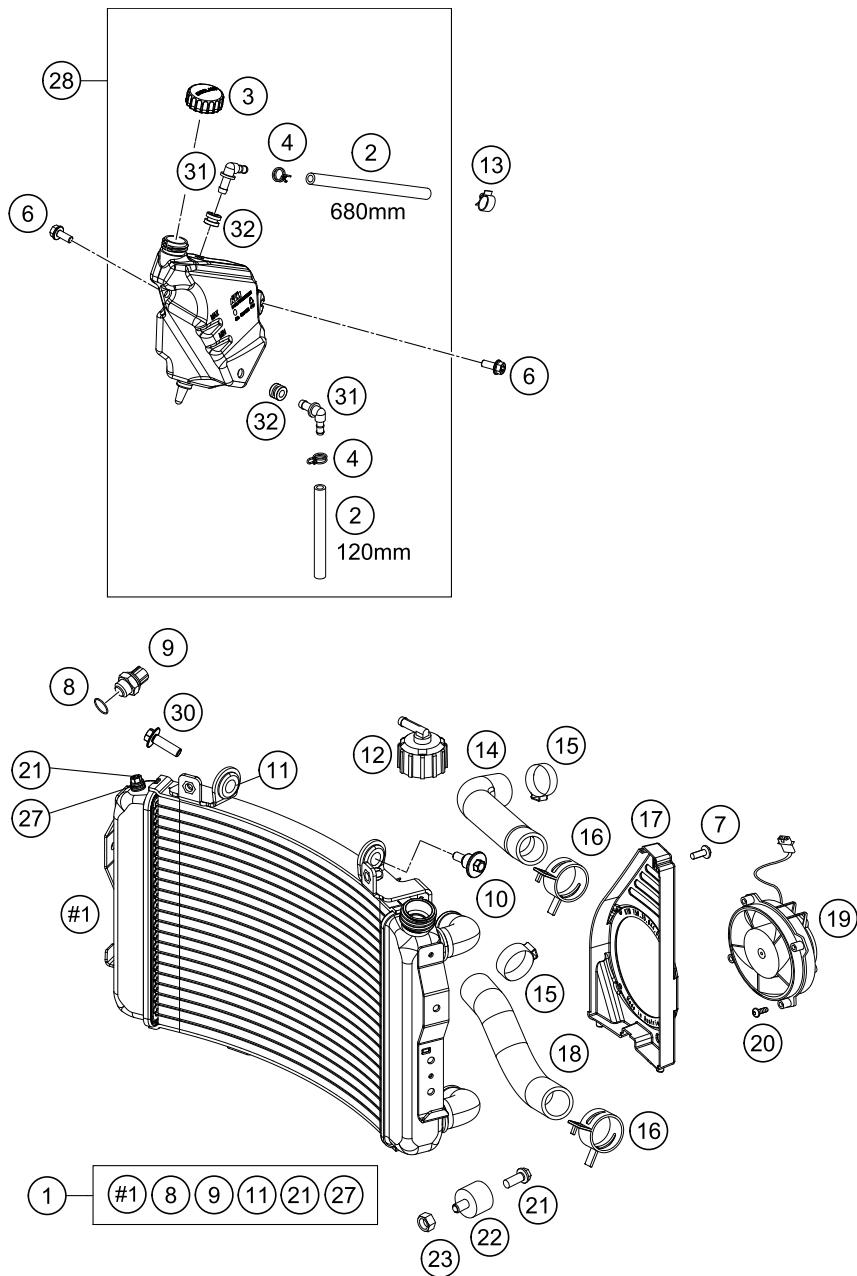


POS	PARTNUMBER	PARTNAME	PIECE
1	75035017000	THERMOSTAT 07	1
2	60040027050	SUPPORTING SLEEVE 03	2
3	0025060206	HH COLLAR SCREW M6X20 TX30	2
4	75035016000	THERMOSTATCOVER 07	1
5	0025060306	HH COLLAR SCREW M6X30 TX30	5
6	7503505210033	WATERPUMP COVER 10	1
7	75035053000	WATER PUMP COVER GASKET 07	1
8	0024060156	HH COLLAR SCREW M6X15 TX30	1
9	75035055000	WATER PUMP ROTOR 07	1
10	60035055150	FORM WASHER 16X1 NIRO 03	1
11	0760123071	SHAFT SEAL RING. 12X30X7 VITON	1
12	0760123073	SHAFT SEAL RING 12X30X7 PTFE	1
13	0474050100	GROOVED PIN DIN1474 5X10	2
99	75035055010	WATER PUMP REP. KIT 690	x

17415

\* NEW PART

X ON DEMAND



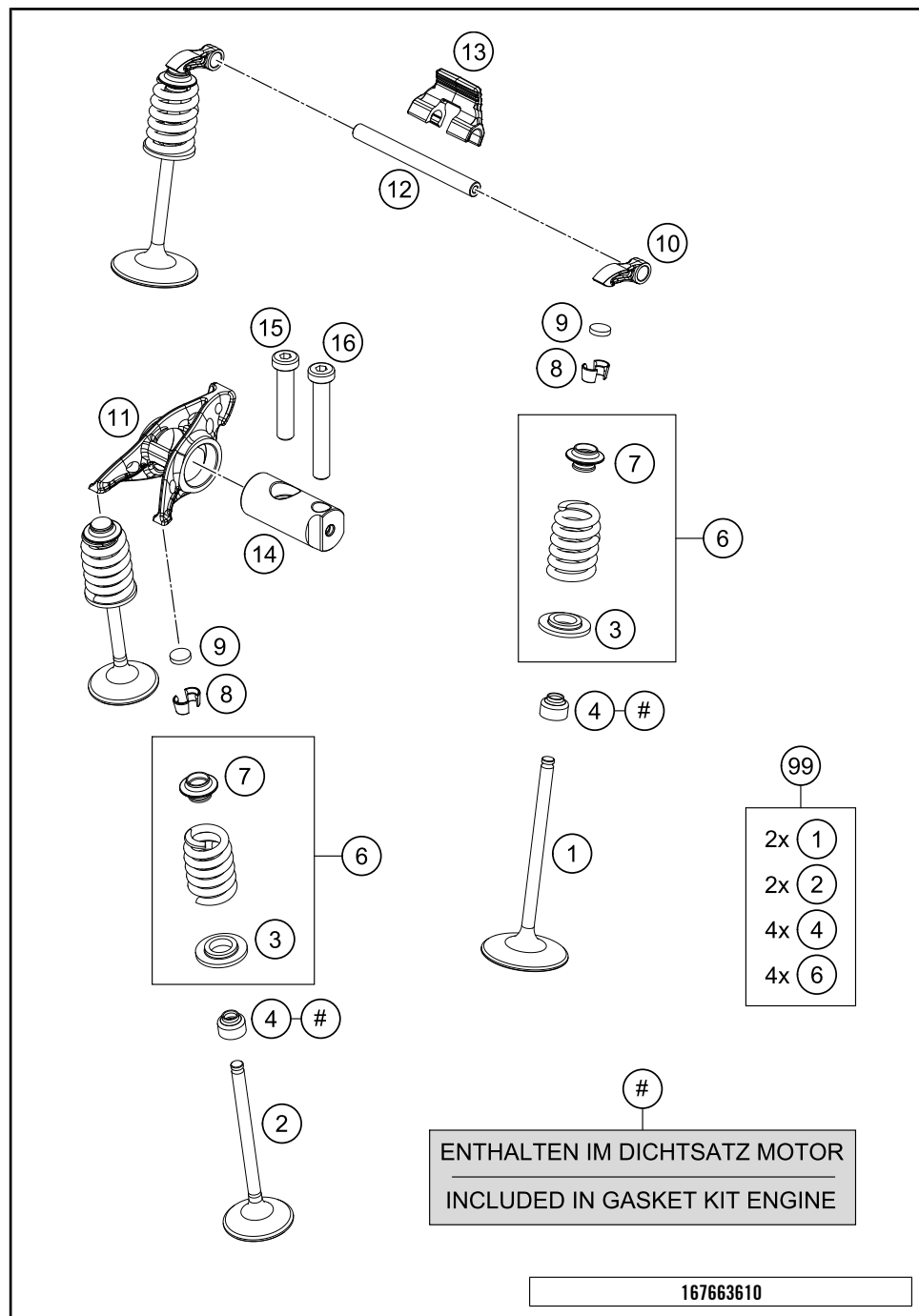
POS	PARTNUMBER	PARTNAME	PIECE
1	76035010000	RADIATOR VW2053	1
2	60035067001	HOSE 6X10 EPDM 03	2
3	60335066044	Latch, compens. tank cpl.	1
4	58007117000	YDNAC-CLAMP 10107 10MM	2
6	0025050126	HH COLLAR SCREW M5X12 TX30	1
7	0024060106	HH COLLAR SCREW M6X10 TX30	1
8	0770017015	O-RING 17X1,5 NB75	1
9	60035045000	THERMOSWITCH LC8 102DG '03	1
10	60035001000	SPECIAL SCREW M6X21 WS=8	1
11	41001052000	RUBBER SLEEVE D=12MM	2
12	62535009000	RADIATOR CAP 1,4 BAR	1
13	57013072100	WIRING HOLDER 16MM	1
14	75035027000	RADIATOR HOSE 07	1
15	00050325706	VARIABLE ONE-EAR CLAMP 32,5MM	4
17	75035044000	FAN COWL 07	1
18	75035026000	RADIATOR HOSE 07	1
19	58435041000	FAN CPL. 12V LC4 2000	1
20	0081050161	EJOT PT SCREW K50X16 1451	4
21	0025060106	HH COLLAR SCREW M6X10 TX30	3
22	43205062100	RUBBER GROMMET 20X15-M6X10 (1)	2
23	0985060003	SELF LOCK. NUT DIN0985-M 6	2
27	60035048000	ALU-GASKET 6X10X1.5	1
28	76035065100	EXPANSION TANK	1
30	0024060206	HH COLLAR SCREW M6X20 TX30	1
31	60035068000	ANGLE CONNECTION EXPANS. TANK	2
32	60035069000	RUBBER GROMMET 6X9X13MM 04	2

167663530

17416

\* NEW PART

X ON DEMAND

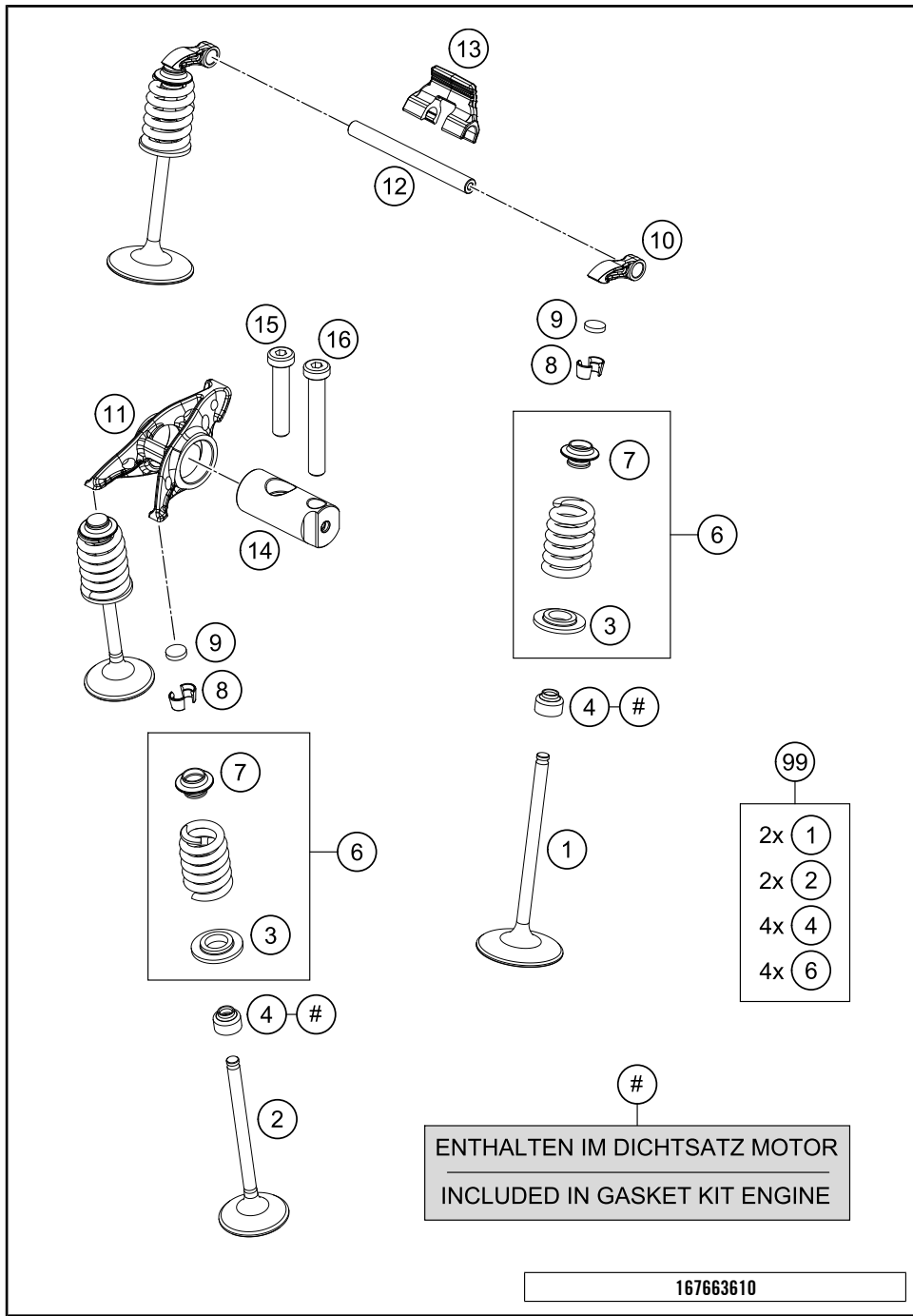


POS	PARTNUMBER	PARTNAME	PIECE
1	60236030100	INTAKE VALVE D42	2
2	61236031400	EXHAUST VALVE	2
3	78936036000	VALVE SPRING HOLDER	4
4	59036027000	VALVE-STEM SEALING RACING	4
6	76636028044	VALVE SPRING KIT	4
7	76636032000	VALVE RETAINER	4
8	78036033000	VALVE COLLET LK 6H	8
9	60036035185	SHIM D=10/1,85 03	x
9	60036035190	SHIM D=10/1,90 03	x
9	60036035195	SHIM D=10/1,95 03	x
9	60036035200	SHIM D=10/2,00 03	x
9	60036035205	SHIM D=10/2,05 03	x
9	60036035210	SHIM D=10/2,10 03	x
9	60036035215	SHIM D=10/2,15 03	x
9	60036035220	SHIM D=10/2,20 03	x
9	60036035225	SHIM D=10/2,25 03	x
9	60036035230	SHIM D=10/2,30 03	x
9	60036035235	SHIM D=10/2,35 03	x
9	60036035240	SHIM D=10/2,40 03	x
9	60036035245	SHIM D=10/2,45 03	x
9	60036035250	SHIM D=10/2,50 03	x
9	60036035255	SHIM D=10/2,55 03	x
9	60036035260	SHIM D=10/2,60 03	x
9	60036035265	SHIM D=10/2,65 03	x
9	60036035270	SHIM D=10/2,70 03	x
9	60036035275	SHIM D=10/2,75 03	x
9	60036035280	SHIM D=10/2,80 03	x
9	60036035285	SHIM D=10/2,85 03	x
9	60036035290	SHIM D=10/2,90 03	x
9	60036035295	SHIM D=10/2,95 03	x
9	60036035300	SHIM D=10/3,00 03	x
9	60036035305	SHIM D=10/3,05 03	x
9	60036035310	SHIM D=10/3,10 03	x
9	60036035315	SHIM D=10/3,15 03	x
9	60036035320	SHIM D=10/3,20 03	x
9	60036035330	SHIM D=10/3,3	x
10	77236060100	VALVE LEVER	2
11	76636061000	ROCKER ARM EXHAUST	1

167663610

17417

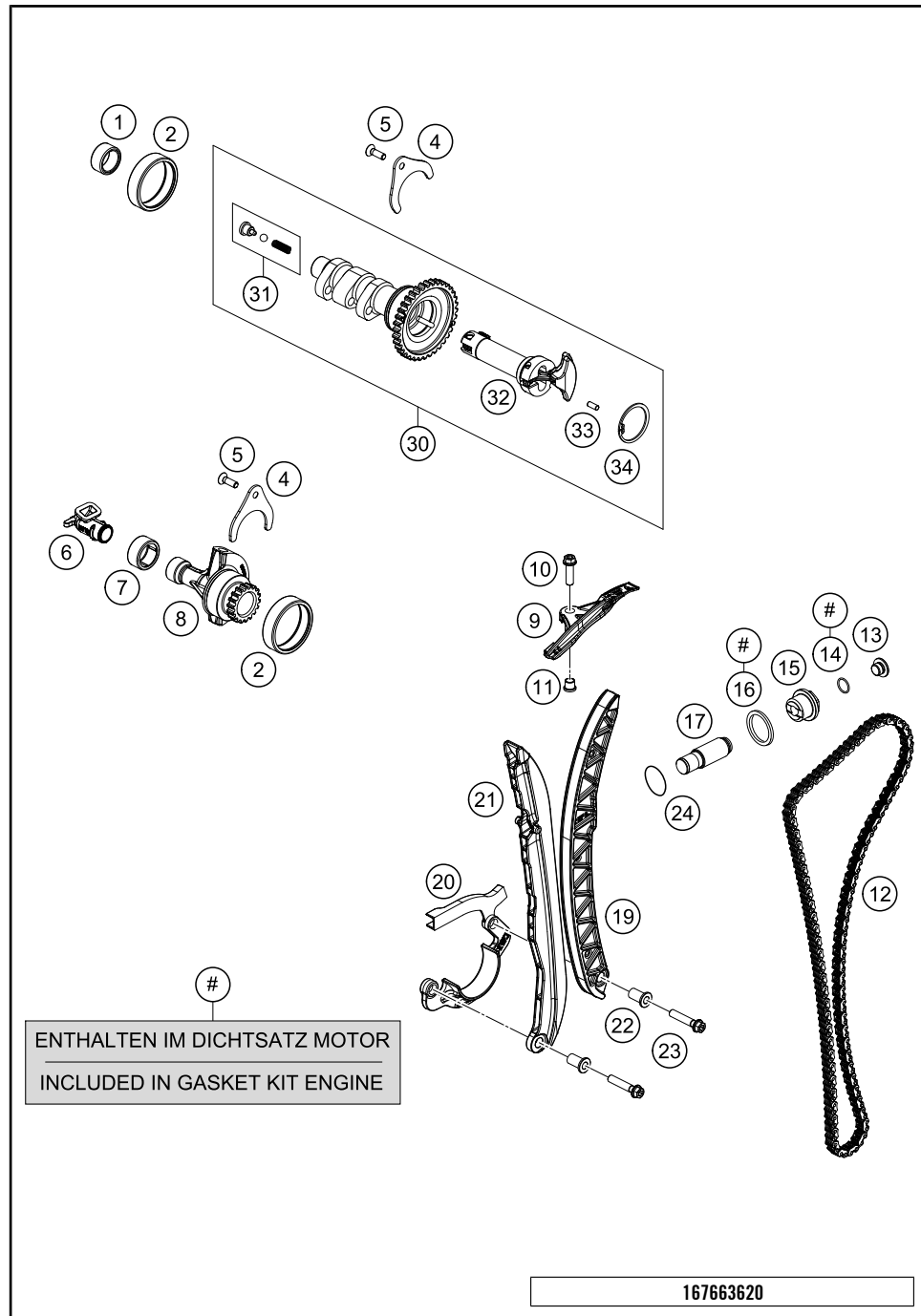
\* NEW PART X ON DEMAND



POS	PARTNUMBER	PARTNAME	PIECE
12	76636056000	ROCKER ARM SHAFT	1
13	76636056050	ROCKER ARM CLIP	1
14	76636057200	ROCKER ARM AXIS	1
15	0984080406	AH SCREW DIN7984 M8X40	1
16	0984080556	AH SCREW DIN7984 M8X55	1
99	76636030010	VALVE KIT 690	x

17417

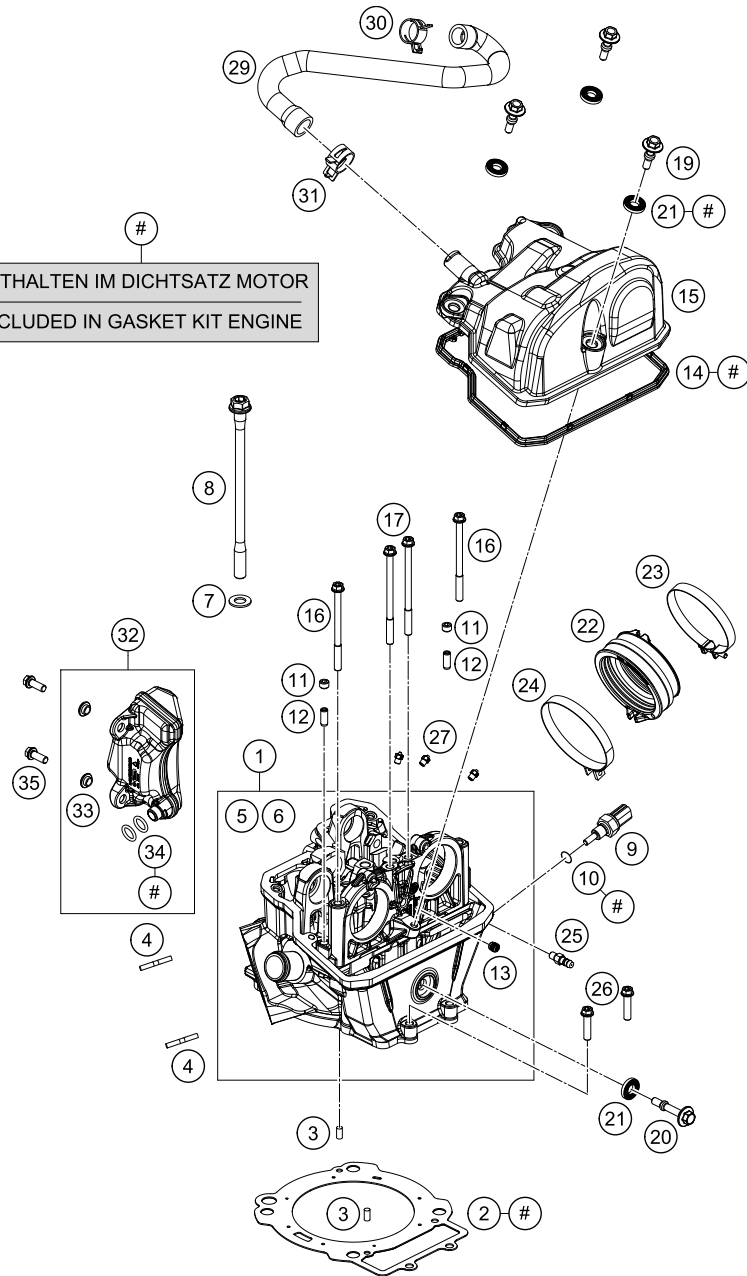
\* NEW PART X ON DEMAND



POS	PARTNUMBER	PARTNAME	PIECE
1	0618182412	NEEDLE BEAR.HK1812 18/24/12 05	1
2	0618404712	NEEDLE SLEEVE HK4012B40X47X12	2
4	76636010050	LOCKING PLATE	2
5	0019050163S	INT. TORX FLAT HEAD M5X16 8.8	2
6	76636081000	BREATHER SYSTEM CONNECTOR	1
7	50203097000	NEEDLE BUSH HK 2012	1
8	76630058000	BALANCER SHAFT CYLINDER HEAD	1
9	76636005000	CHAIN GUIDE	1
10	0025060206	HH COLLAR SCREW M6X20 TX30	1
11	60040027050	SUPPORTING SLEEVE 03	1
12	76636013000	TIMING CHAIN	1
13	76636080000	PLUG	1
14	0770010010	O-RING 10,00X1,00 NBR 70 SH	1
15	75036008000	SCREW PLUG CHAIN ADJ. 07	1
16	0603202702	CU SEAL-RING 20X27X1	1
17	77036003000	CHAIN ADJUSTER HYD. 05	1
19	76636002000	TENSIONER RAIL	1
20	76636018000	CHAIN GUIDE	1
21	76636001000	GUIDING RAIL	1
22	75036018050	SUPPORTING SLEEVE 07	2
23	0025060306S	HH COLLAR SCREW M6X30 TX30	2
24	0770180020	O-RING 18,00X2,00 NBR 70	1
30	76636010144	CAMSHAFT	1
31	76636016044	DECO SPRING CPL.	1
32	76636019144	INSERT CAMSHAFT CPL.	1
33	0402040980	NEEDLE ROL.DIN5402 NRB 4X9,8	1
34	0472320120	Seeger ring J32 DIN472 32X1,2	1

\* NEW PART X ON DEMAND

#  
ENTHALTEN IM DICHTSATZ MOTOR  
INCLUDED IN GASKET KIT ENGINE



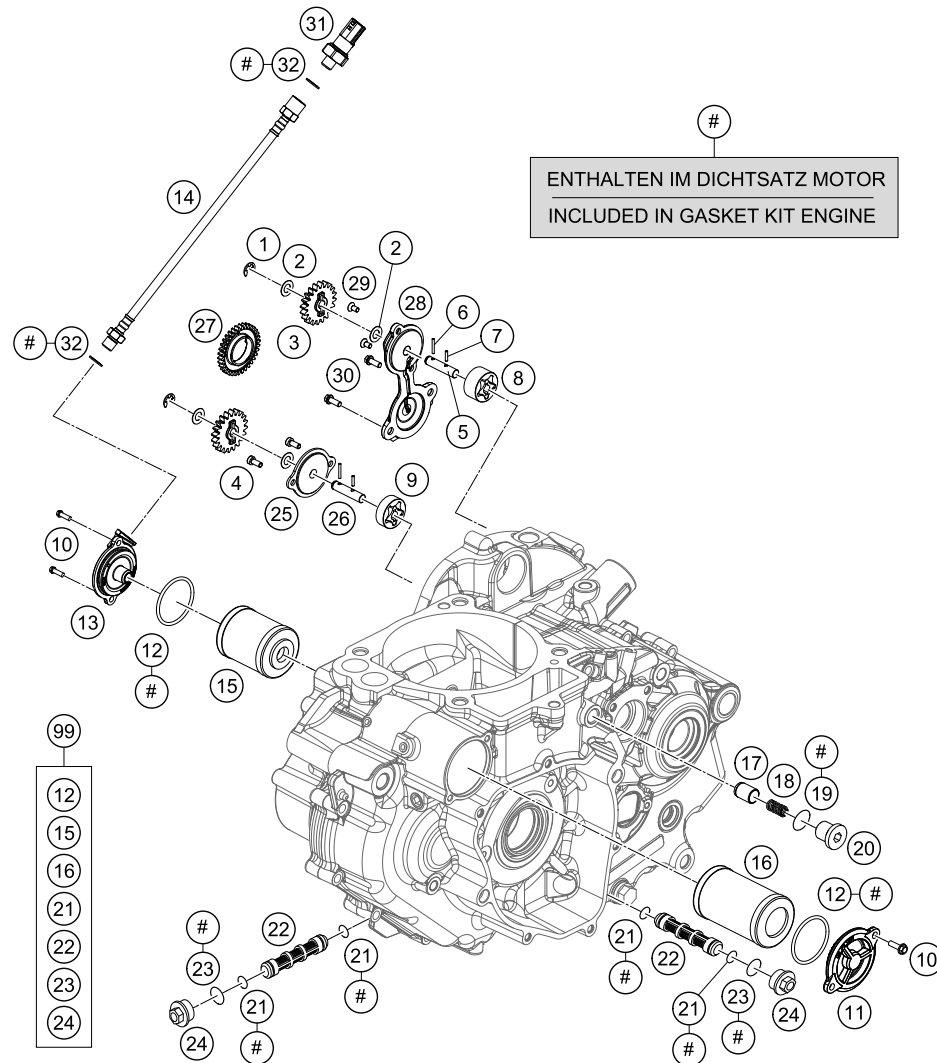
167663630

POS	PARTNUMBER	PARTNAME	PIECE
1	7663602004424	Zylinderkopf kpl.	1
2	76630036000	CYLINDER HEAD GASKET Ø105	1
3	0474050100	GROOVED PIN DIN1474 5X10	2
4	0835080256	STUD DIN0835-M 8X25 10.9	2
5	76636026001	VALVE GUIDE 6MM	2
6	61236025001	VALVE GIUDE INTAKE 6MM	2
7	60036078050	SHIM 10,2X19X1,5MM 05	4
8	75036079000	CYLINDERHEAD SCREW M10X168WS14	4
9	79435047000	TEMPERATUR SENSOR WATER	1
10	0770100020	O-RING 10,00X2,00 SILCONE	1
11	0913080060S	THREAD PIN DIN913-M8X6 PRE30	2
12	0979060160	PIN DIN7979 6X16	2
13	59030296000	SCREW PLUG	1
14	76636053000	VALVE COVER GASKET	1
15	7663605200033	VALVE COVER	1
16	0025060806	HH COLLAR SCREW M6X80 TX30	2
17	0025060906	HH COLLAR SCREW M6X90 TX30	2
19	78036054100	VALVE COVER SCREW	3
20	75036055000	VALVE COVER SCREW 05	1
21	75036052010	DECOUPLING ELEMENT 07	4
22	76636044000	RUBBER SLEEVE INTAKE FLANGE	1
23	75036047000	HOSE CLAMP GEMI 70MM	1
24	61336048000	HOSE CLAMP GEMI 75	1
25	60036023200	VACUUM CONNECTION M6/0.75MM	1
26	0025060256	HH COLLAR SCREW M6X25 TX30	2
27	60030063050	OIL JET 50 05	3
29	76030084100	ENGINE EXHAUST CYLINDERHEAD	1
30	00049200121	CLAMP STD DN20	1
31	00049210121	CLAMP 21X12 STD-DES	1
32	76636065000	RESONATOR ASSY.	1
33	69004060050	BUSHING CHAIN GUARD 08	2
34	0770116241	O-RING 11,3 X2,4 SILICON	2
35	0025060126	HH COLLAR SCREW M6X12 TX30	2

17419

\* NEW PART

X ON DEMAND



ENTHALTEN IM DICHTSATZ MOTOR  
INCLUDED IN GASKET KIT ENGINE

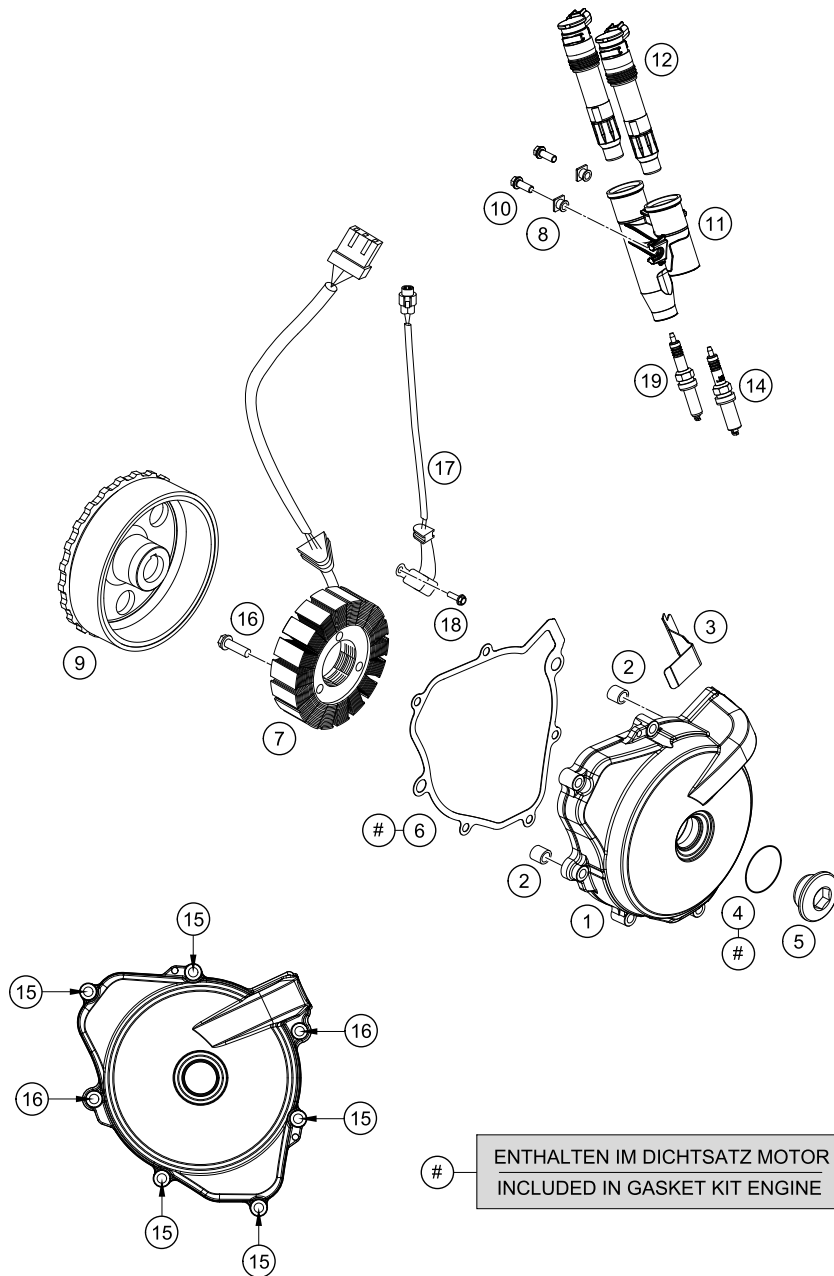
167663810

POS	PARTNUMBER	PARTNAME	PIECE
1	0799060000	TAB WASHER DIN6799-RS 6,0	2
2	58038007755	STOP DISK 8,1 X 15 X 0,5	4
3	75038001020	OIL PUMP GEAR 20-T	2
4	07984050100S	AH SCREW DIN7984 M5X10 A2	2
5	75038002000	OIL PUMP SHAFT 07	1
6	0402251980	NEEDLEROL.DIN5402 NRA 2,5X19,8	2
7	0402251180	NEEDLE ROLLER DIN5402 2,5X11,8	2
8	77038011100	OIL PUMP ROTOR COMPL. 15MM	1
9	59038011110	OIL PUMP ROTOR COMPL. 10MM	1
10	0025050166	HH COLLAR SCREW M5X16 TX30	4
11	75038041200	OILFILTER CAP	1
12	07700390261	O-RING 39,34X2,62	2
13	76038041000	OILFILTER COVER	1
14	76538034000	OIL PIPE	1
15	75038046100	OIL FILTER SHORT	1
16	58038005100	OIL FILTER LONG	1
17	58038028000	VALVE PISTON D=10MM	1
18	58538023000	OIL PRES.SPRING 5 BAR RED 2001	1
19	58038022000	CU-SEAL RING DIN7603-12X18X1,5	1
20	0908120153	PLUG DIN0908-M12X1,5	1
21	07701250151	O-RING 12,5X1,5 VITON V75	4
22	59038016100	OIL SCREEN	2
23	0770020170	O-RING 17,17X1,78 GLO	2
24	59038017100	PLUG M20X1,5 WS=13	2
25	75038003000	OIL PUMP COVER 07	1
26	75038004000	OIL PUMP SHAFT 07	1
27	75032050001	OIL PUMP DRIVE WHEEL 07	1
28	76038003000	OIL PUMP COVER	1
29	0019050163S	INT. TORX FLAT HEAD M5X16 8.8	2
30	0025060166S	HH COLLAR SCREW M6X16 ISA 30	2
31	61238091000	OIL PRESSURE SWITCH "BITRON"	1
32	0603100141	COPPER GASKET DIN7603-10X14X1	2
99	75038046110	OILFILTER SERVICEKIT 690 12-14	x

17420

\* NEW PART

X ON DEMAND



POS	PARTNUMBER	PARTNAME	PIECE
1	7503000210041	IGNITION COVER	1
2	49030090000	DOWEL 9,8 X 7 X 10	2
3	60039040020	CABLE SUPPORT GENERATOR 03	1
4	07700240251	O-RING 24X2,5 VITON	1
5	6003009400030	SCREW PLUG M24X1,5 PA 6.6	1
6	75030040000	IGNITI.COVER GASKET 07	1
7	75039004100	STATOR	1
8	76036075050	INSET	2
9	75039005200	ROTOR	1
10	0025060166	HH COLLAR SCREW M6X16 TX30	2
11	76636075000	STICKCOIL HOLDER	1
12	76039006000	STICK COIL	2
14	60439093000	SPARK PLUG M12X1.25	1
15	0025060256	HH COLLAR SCREW M6X25 TX30	5
16	0025060306	HH COLLAR SCREW M6X30 TX30	5
17	75039034000	PULSER COIL	1
18	59009062016	SPECIAL SCREW M6X16 WS=8 10.9	2
19	60439094000	SPARK PLUG M10X1	1

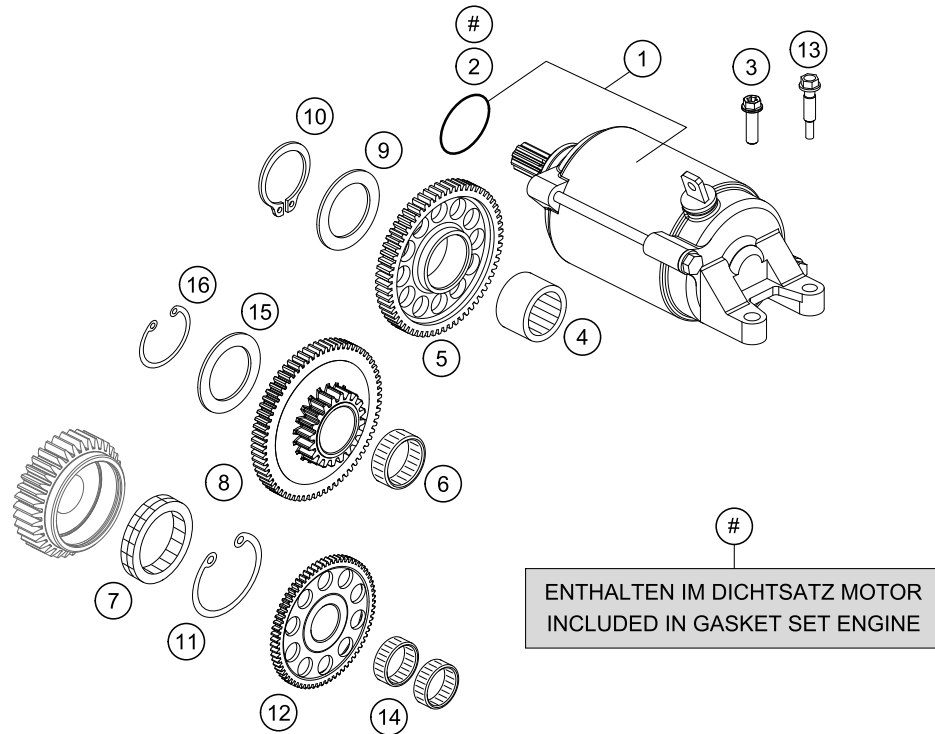
# ENTHALTEN IM DICHTSATZ MOTOR  
INCLUDED IN GASKET KIT ENGINE

167663910

17421

\* NEW PART X ON DEMAND





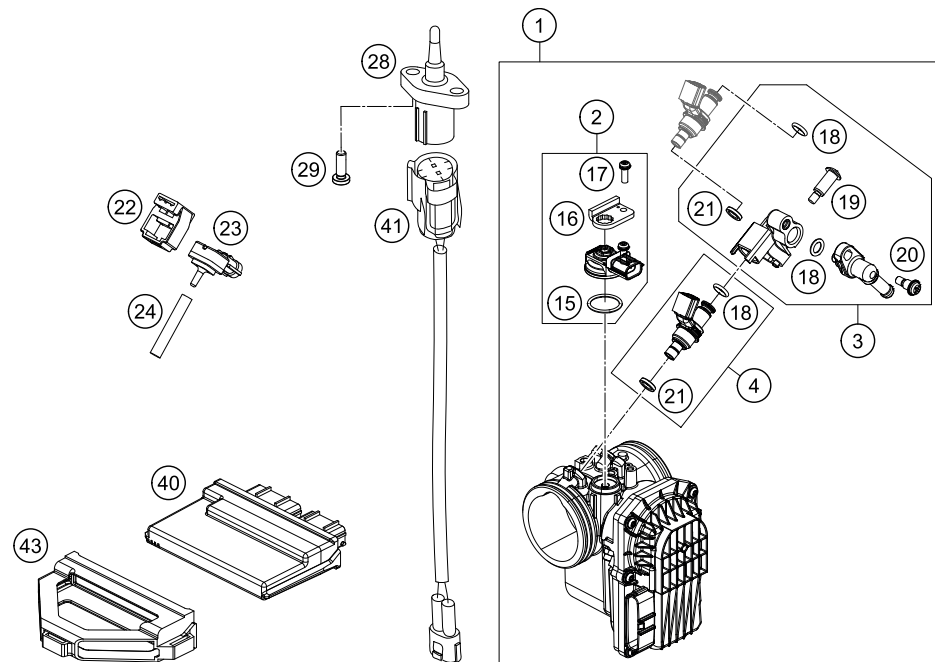
POS	PARTNUMBER	PARTNAME	PIECE
1	75040001000	E-STARTER ENGINE CPL. 07	1
2	0770250030	O-RING 25,00X3,00 NBR 70	1
3	0025060206	HH COLLAR SCREW M6X20 TX30	1
4	0618172312	NEEDLE SLEEVE HK 1712 17X23X12	1
5	75040022100	STARTER INTERMEDIATE GEAR	1
6	0405172117	NEEDLE BEARING K17X21X17	1
7	76640026000	FREE WHEEL	1
8	75040015100	TORQUE LIMITER	1
9	54633090000	STOP DISK 17,2X25X1	1
10	0471170010	CIRCLIP DIN0471-17X1	1
11	0472056200	CIRCLIP DIN0472 J56	1
12	75040020100	FREE WHEEL GEAR	1
13	76240030000	HH COLLAR SCREW M 6X30	1
14	0405263013	NEEDLE BEAR. K 26X30X13	2
15	75040015007	STOP DISK 17,2X22X1	1
16	0471170100	CIRCLIP DIN 0471-17X1	1

162704010

18529

\* NEW PART

X ON DEMAND



POS	PARTNUMBER	PARTNAME	PIECE
1	76641001000	THROTTLE BODY	1
2	75041085044	MAP SENSOR CPL. 07	1
3	76041013044	FUEL PIPE CONNECTOR CPL.	1
4	76041023044	FUEL INJECTOR ASSY SET	1
15	75041085010	O-RING	1
16	75041085020	PLATE, STAY	1
17	75041085030	SCREW WASHER	1
18	75041023020	O-RING 7,2x2,2	2
19	75041013060	SCREW SHOULDER	1
20	75041013010	SCREW SHOULDER	1
21	75041023010	SEAL RING	1
22	61041085150	RUBBER SUPP. PRESSURE SENS. 06	1
23	61041085100	PRESSURE SENSOR 06	1
24	60031098001	HOSE 3,2X8,5 PER METER	x
28	61041080000	AMBIENT-AIR TEMPERATURE SENSOR	1
29	0018050163	INT. TORX OVAL HEAD M5X16	2
40	61341031100	ECU	1
41	76011048000	AMBIENT-AIR TEMP. SENSOR CABLE	1
43	60341031050	ECU RUBBER BRACKET	1

167664110

17424

\* NEW PART

X ON DEMAND



WWW.KTM.COM



KTM Sportmotorcycle GmbH  
5230 Mattighofen, Austria  
[www.ktm.com](http://www.ktm.com)



**KTM**\_POWERPARTS

**KTM**\_POWERWEAR

**KTM**\_ORIGINAL SPARE PARTS



088535QEN

Art. Nr.: 088535QEN 9. Mär. 2017