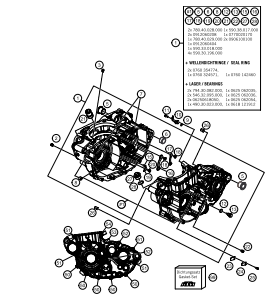
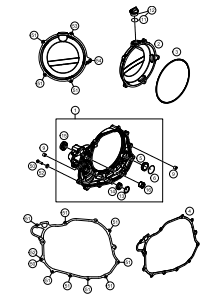
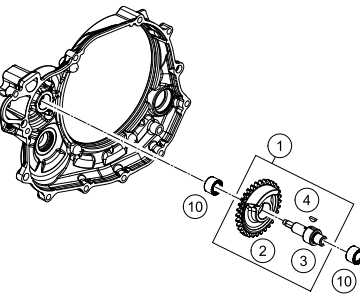
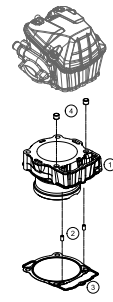
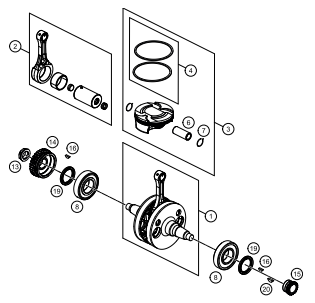
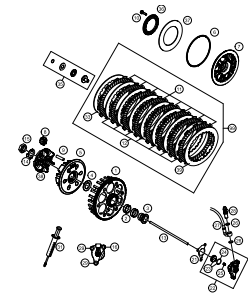
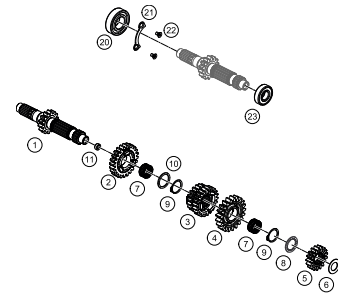
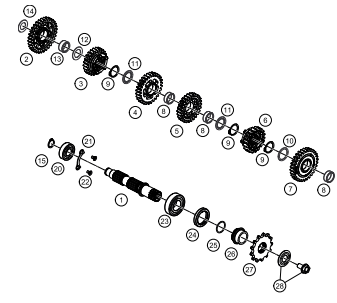
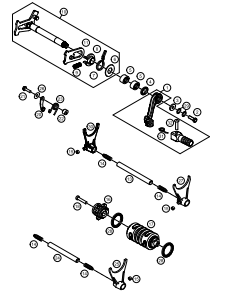
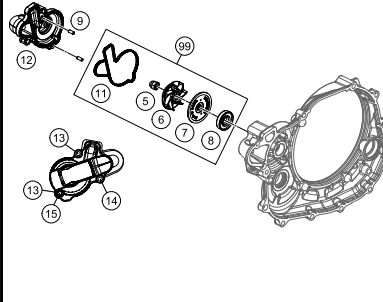
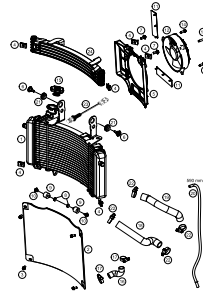
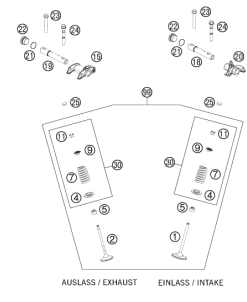


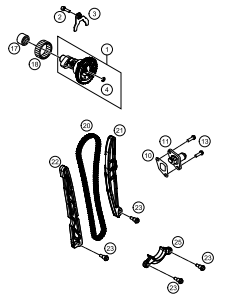
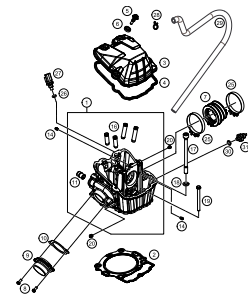
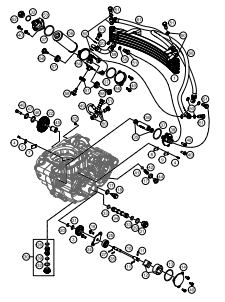
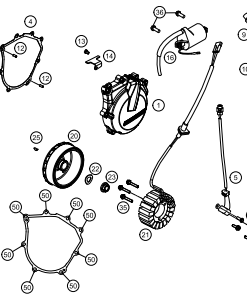
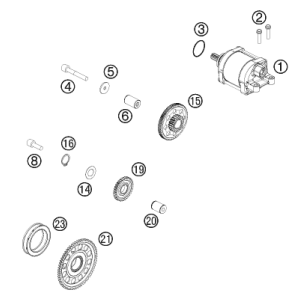
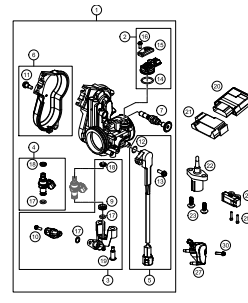
# 450 RALLY 2015

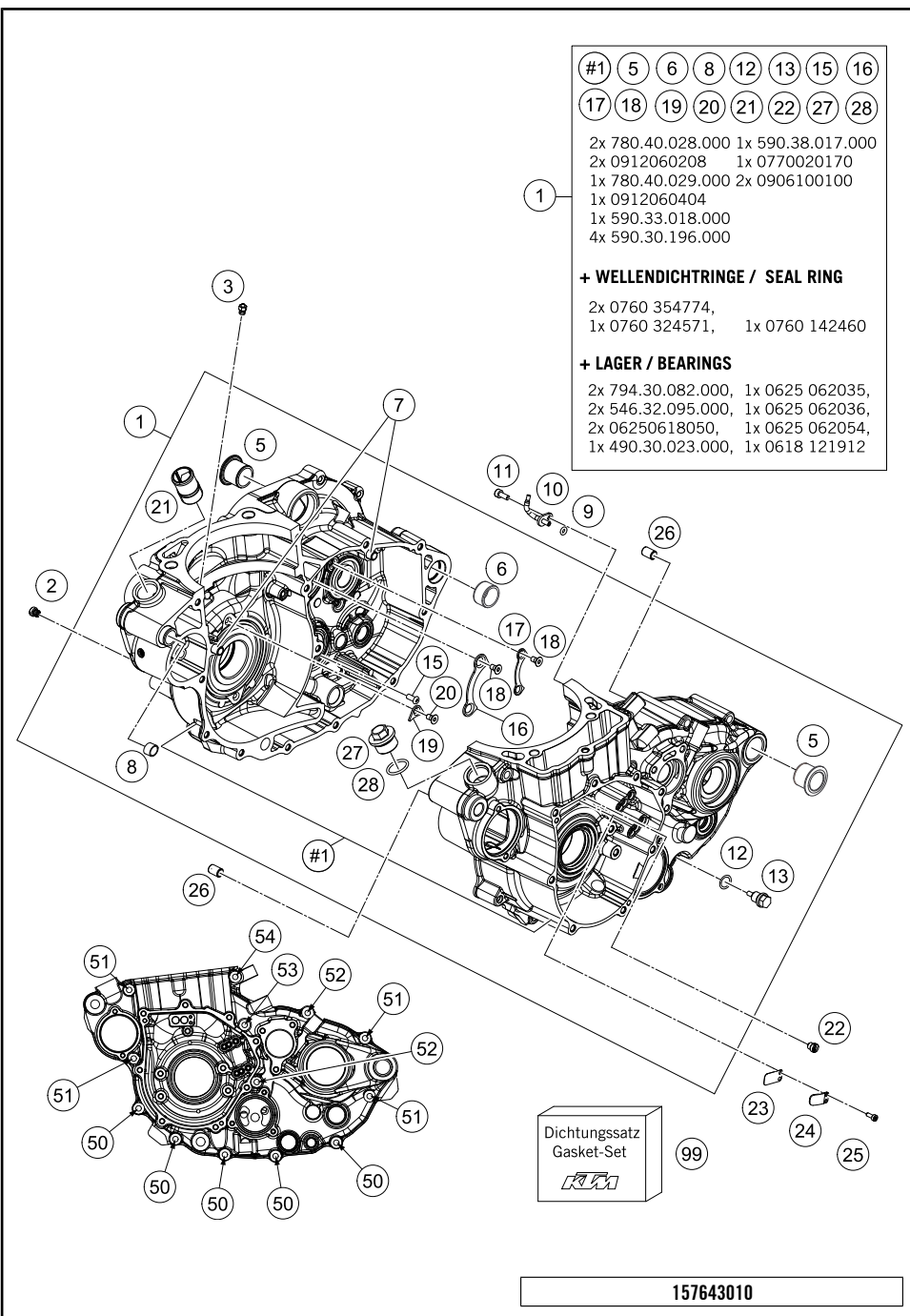
ART.-NR.: 3CM0892800EN





|   |  |   |   |
|---|--|---|---|
| <p><b>ENGINE CASE</b></p>  <p><b>3</b></p>           | <p><b>CLUTCH COVER</b></p>  <p><b>4</b></p>   | <p><b>BALANCER SHAFT</b></p>  <p><b>5</b></p>              | <p><b>CYLINDER</b></p>  <p><b>6</b></p>                        |
| <p><b>CRANKSHAFT, PISTON</b></p>  <p><b>7</b></p>    | <p><b>CLUTCH</b></p>  <p><b>8</b></p>         | <p><b>TRANSMISSION I - MAIN SHAFT</b></p>  <p><b>9</b></p> | <p><b>TRANSMISSION II - COUNTERSHAFT</b></p>  <p><b>10</b></p> |
| <p><b>SHIFTING MECHANISM</b></p>  <p><b>11</b></p> | <p><b>WATER PUMP</b></p>  <p><b>12</b></p> | <p><b>COOLING SYSTEM</b></p>  <p><b>13</b></p>           | <p><b>VALVE DRIVE</b></p>  <p><b>14</b></p>                  |

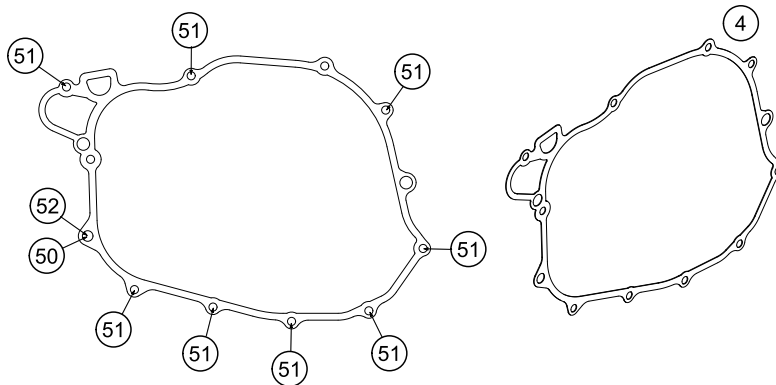
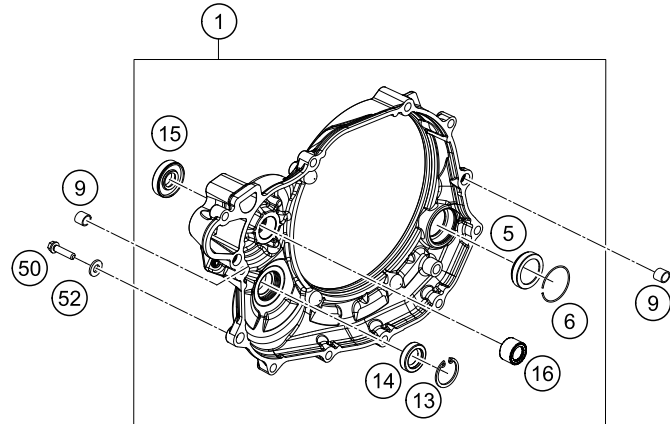
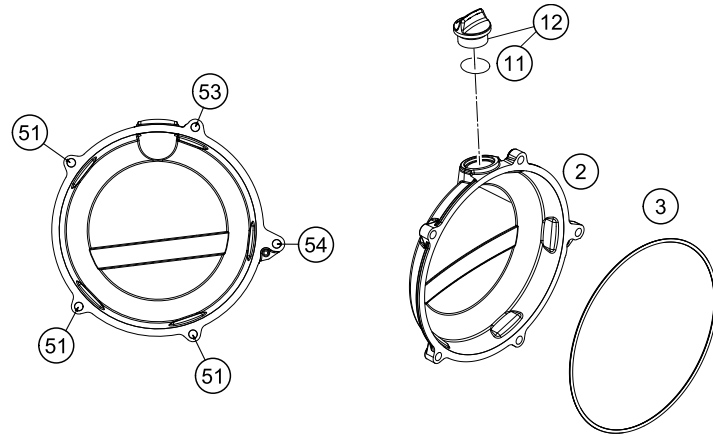
|   |  |   |  |
|---|--|---|--|
| <p><b>TIMING DRIVE</b></p>  <p><b>16</b></p>   | <p><b>CYLINDER HEAD</b></p>  <p><b>17</b></p> | <p><b>LUBRICATING SYSTEM</b></p>  <p><b>18</b></p> | <p><b>IGNITION SYSTEM</b></p>  <p><b>20</b></p> |
| <p><b>ELECTRIC STARTER</b></p>  <p><b>21</b></p>   | <p><b>THROTTLE BODY</b></p>  <p><b>22</b></p> |   |  |
| <div style="display: flex; align-items: center;"> <div style="background-color: #cccccc; width: 50px; height: 100px; display: flex; align-items: center; justify-content: center; margin-right: 20px;"> <span style="font-size: 40px; font-weight: bold;">!</span> </div> <div> <p>All information contained is without obligation. KTM Sportmotorcycle GmbH particularly reserves the right to modify any equipment, technical specifications, prices, colors, shapes, materials, services, service work, constructions, equipment and the like so as to adapt them to local conditions or to cancel any of the above items, all without previous announcement and without giving reasons. KTM may stop manufacturing certain models without previous notice. KTM shall not be held liable for any deviations of availability and/or ability to deliver, illustrations, descriptions, printing and/or other errors. The illustrated models partly contain extra equipment, which is not applied to standard models.</p> <p>© by KTM Sportmotorcycle GmbH, Mattighofen AUSTRIA; All rights reserved; Reprint, also in extracts, with written allowance of KTM Sportmotorcycle GmbH, Mattighofen only.</p> </div> </div> |  |   |  |



| POS | PARTNUMBER  | PARTNAME                       | PIECE |
|-----|-------------|--------------------------------|-------|
| 1   | 76430000033 | ENGINE CASE CPL.               | 1     |
| 2   | 57031523145 | MAIN JET 145                   | 1     |
| 3   | 60030063190 | OIL JET 90 M5                  | 1     |
| 5   | 75030010100 | CASE BUSH                      | 2     |
| 6   | 54830027000 | DOWEL 21X12 03                 | 1     |
| 7   | 59030023000 | DOWEL 6X8X11,5                 | 2     |
| 8   | 51030026100 | DOWEL 17 X 13 X 12             | 1     |
| 9   | 0770035020  | O-RING 3,5X2,00 NBR            | 1     |
| 10  | 81230064000 | OIL JET ANGLED 70              | 1     |
| 11  | 0912040103  | AH.SCREW DIN0912-M 4X10        | 1     |
| 12  | 58038022000 | CU-SEAL RING DIN7603-12X18X1,5 | 1     |
| 13  | 58030021000 | OILDRAIN PLUG W.MAG. M 12X1,5  | 1     |
| 15  | 0018050103  | INT. TORX OVAL HEAD M 5X10 8.8 | 1     |
| 16  | 78033032000 | TAB WASHER BEARING MAIN SHAFT  | 1     |
| 17  | 78033132000 | TAB WASHER BEARING COUNT.SHAFT | 1     |
| 18  | 0019050121S | INT. TORX FLAT HEAD M5X12 T25  | 4     |
| 19  | 75030085000 | RETAINING PLATE F. CS BEARING  | 4     |
| 20  | 0019050106S | INT. TORX FLAT HEAD M5X10 10.9 | 4     |
| 21  | 58030010200 | SCREW IN NOZZLE M20X1,5        | 1     |
| 22  | 59030054000 | JET 60 DELLORTO M6X0,75        | 1     |
| 23  | 81205027003 | MEMBRAN CRANKCASE              | 1     |
| 24  | 81205027004 | TAB WASHER MEMBRAN CSC         | 1     |
| 25  | 0458030080  | CYLIND.SCREW M3X8 ISO 14580 SS | 2     |
| 26  | 59030023000 | DOWEL 6X8X11,5                 | 2     |
| 27  | 59038017100 | PLUG M20X1,5 WS=13             | 1     |
| 28  | 0770017025  | O-RING 17X2,5                  | 1     |
| 50  | 0025060406  | HH COLLAR SCREW M6X40 TX30     | 5     |
| 51  | 0025060606  | HH COLLAR SCREW M6X60 TX30     | 4     |
| 52  | 0025060756  | HH COLLAR SCREW M6X75 TX30     | 2     |
| 53  | 0025060806  | HH COLLAR SCREW M6X80 TX30     | 1     |
| 54  | 0025060856  | HH COLLAR SCREW M6X85 TX30     | 1     |
| 99  | 78130099000 | GASKET SET 450/500 EXC 12      | 1     |

C157643010

\* NEW PART X ON DEMAND



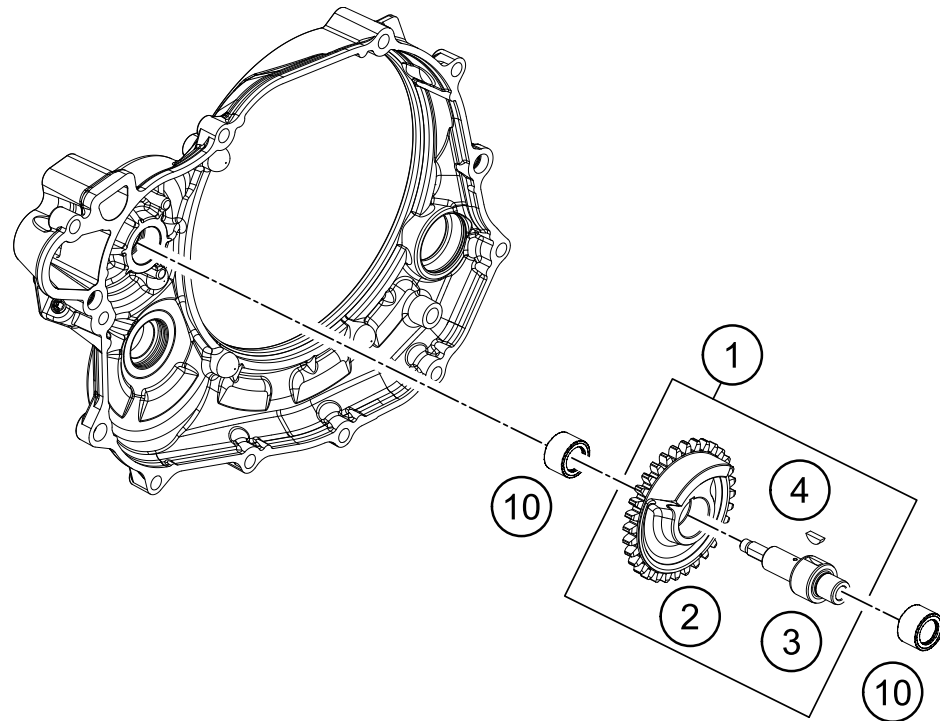
| POS | PARTNUMBER    | PARTNAME                     | PIECE |
|-----|---------------|------------------------------|-------|
| 1   | 76430001044   | CLUTCH COVER CPL.            | 1     |
| 2   | 7813002600015 | CLUTCH COVER OUTSIDE         | 1     |
| 3   | 78130027000   | GASKET - CLUTCH OUTER COVER  | 1     |
| 4   | 78130125000   | CLUTCH COVER GASKET          | 1     |
| 5   | 78030095100   | OIL LEVEL GLASS VITON        | 1     |
| 6   | 61030019050   | CIRCLIP OIL LEVEL GLASS 03   | 1     |
| 9   | 49030090000   | DOWEL 9,8 X 7 X 10           | 2     |
| 11  | 0770180020    | O-RING 18,00X2,00 NBR 70     | 1     |
| 12  | 58030020100   | PLUG CPL. M24X3              | 1     |
| 13  | 0472024120    | CIRCLIP DIN0472-24X1.2       | 1     |
| 14  | 0760142460    | SHAFT SEAL RING 14X24X6 B    | 1     |
| 15  | 0760123073    | SHAFT SEAL RING 12X30X7 PTFE | 1     |
| 16  | 0618121912    | NEEDLE BUSH NK1212           | 1     |
| 50  | 78030080000   | LOCATING SCREW               | 1     |
| 51  | 0025060256    | HH COLLAR SCREW M6X25 TX30   | 11    |
| 52  | 58030081000   | CU-SEAL RING 8 X 14 X 3      | 1     |
| 53  | 0025060556    | HH COLLAR SCREW M6X55 TX30   | 1     |
| 54  | 0025060606    | HH COLLAR SCREW M6X60 TX30   | 1     |

157643020

C157643020

\* NEW PART

X ON DEMAND



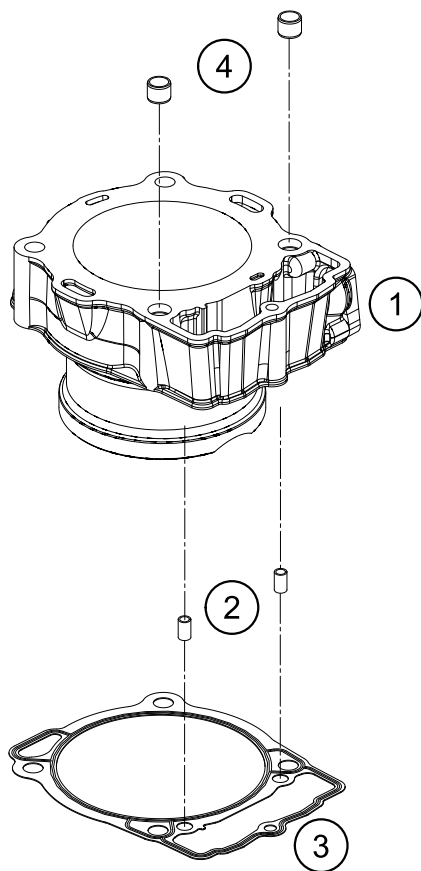
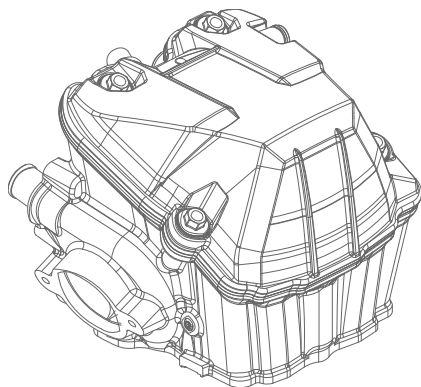
| POS | PARTNUMBER  | PARTNAME                   | PIECE |
|-----|-------------|----------------------------|-------|
| 1   | 78130056100 | BALANCE SHAFT              | 1     |
| 2   | 78130056132 | BALANCE SHAFT GEAR         | 1     |
| 3   | 78130056101 | BALANCE SHAFT              | 1     |
| 4   | 0888030037  | WOODRUFF KEY DIN6888-3X3,7 | 1     |
| 10  | 0618121912  | NEEDLE BUSH NK1212         | 2     |

137893031

C157643030

\* NEW PART

X ON DEMAND



| POS | PARTNUMBER  | PARTNAME                   | PIECE |
|-----|-------------|----------------------------|-------|
| 1   | 76430005000 | CYLINDER DN95              | 1     |
| 2   | 59030023000 | DOWEL 6X8X11,5             | 2     |
| 3   | 78030035000 | CYLINDER BASE GASKET       | 1     |
| 4   | 58530014100 | DOWEL BUSHING 10,2X12,5X10 | 2     |

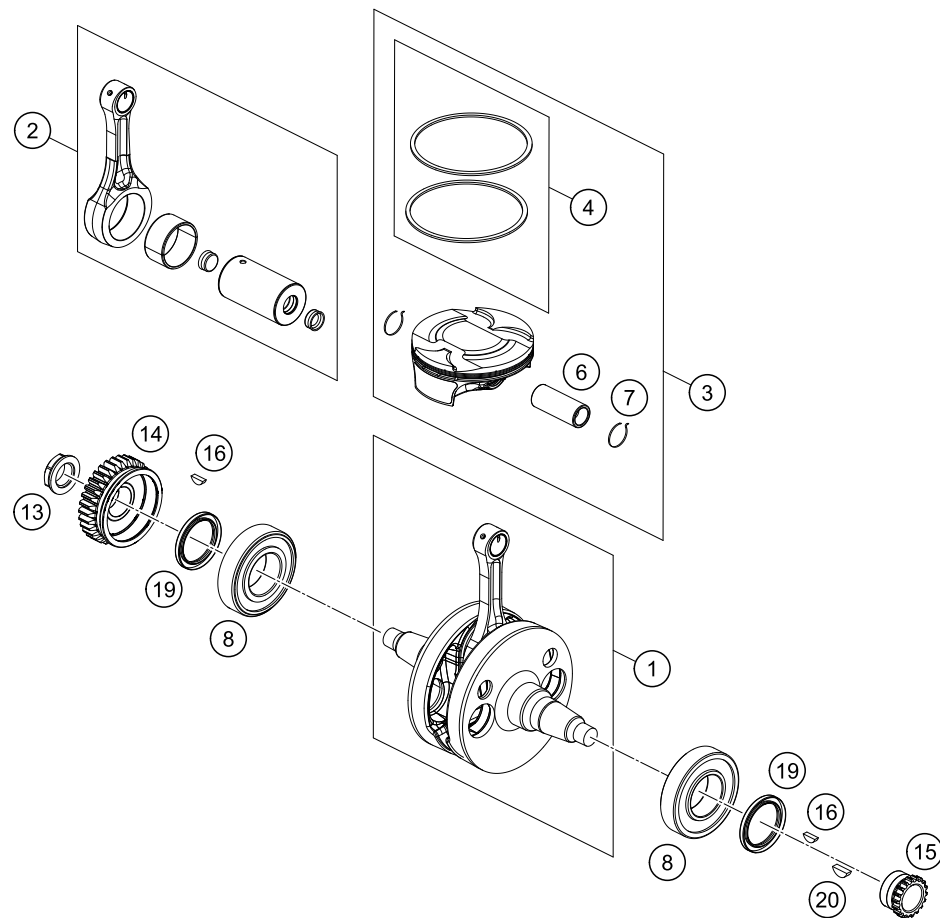
157643040

C157643040

\* NEW PART

X ON DEMAND



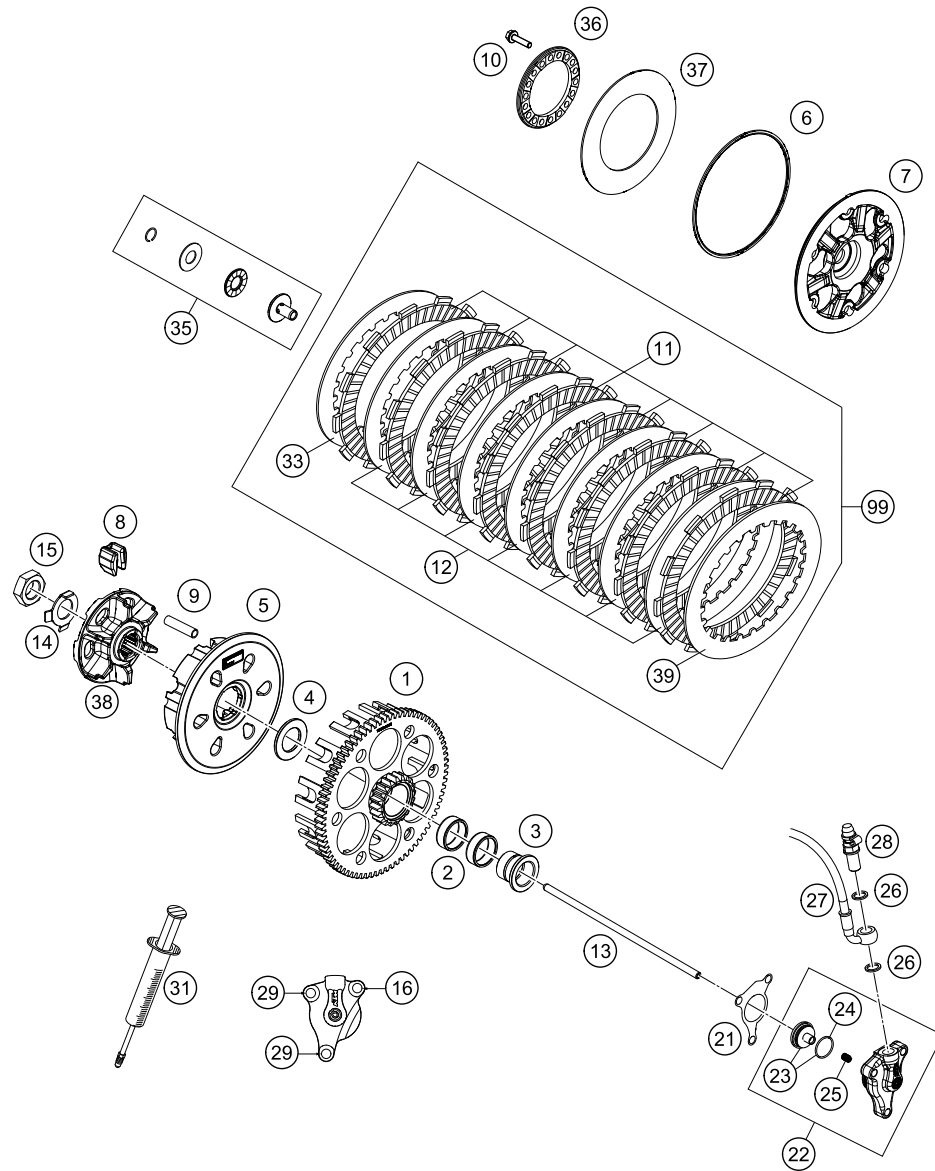


| POS | PARTNUMBER    | PARTNAME                      | PIECE |
|-----|---------------|-------------------------------|-------|
| 1   | 76430218000   | CRANKSHAFT CPL.               | 1     |
| 2   | 76430015044   | CON. ROD. REP. KIT            | 1     |
| 3   | 76430007000 I | PISTON I                      | 1     |
| 4   | 76430031044   | PISTON RING SET               | 1     |
| 6   | 76430033000   | PISTON PIN                    | 1     |
| 7   | 76430074000   | RETAINING RING PISTON PIN     | 2     |
| 8   | 79430082000   | CYLINDER ROLLER BEARING NJ207 | 2     |
| 13  | 78030029200   | NUT PRIMARY WHEEL M20X1,5     | 1     |
| 14  | 78132000032   | PRIMARY GEAR                  | 1     |
| 15  | 78036014200   | TIMING GEAR 18T.              | 1     |
| 16  | 0888030037    | WOODRUFF KEY DIN6888-3X3,7    | 2     |
| 19  | 0760354774    | SHAFT SEAL RING 35X47X7 VITON | 2     |
| 20  | 0888030050    | WOODRUFF KEY DIN6888-3X5X13   | 1     |

157643060

C157643060

\* NEW PART X ON DEMAND



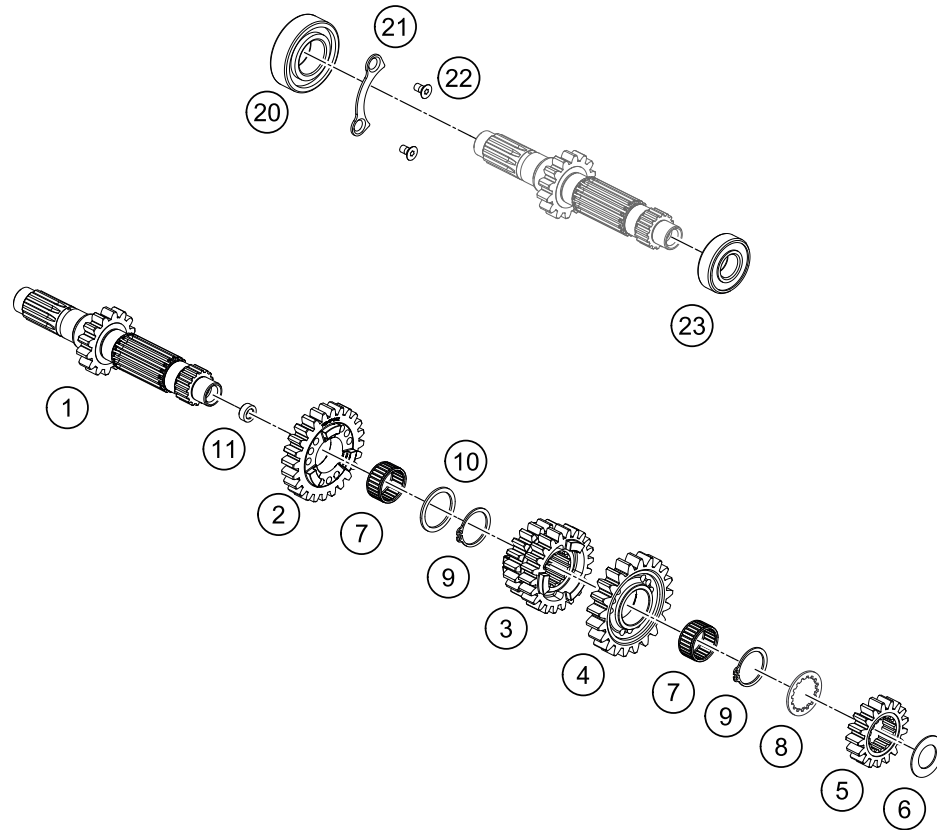
| POS | PARTNUMBER  | PARTNAME                       | PIECE |
|-----|-------------|--------------------------------|-------|
| 1   | 78132001076 | CLUTCH CAGE                    | 1     |
| 2   | 0405252910  | NEEDLE BEAR K 25X29X10         | 2     |
| 3   | 78132015100 | COLLARSLEEVE                   | 1     |
| 4   | 78932009000 | WASHER 22 X 36,5 X 3           | 1     |
| 5   | 78132002200 | %INNER CLUTCH HUB 450SX-F 2014 | 1     |
| 6   | 78132013000 | WASHER 112X118X1,5             | 1     |
| 7   | 79432003000 | CLUTCH PRESSURE CAP            | 1     |
| 8   | 78132025100 | DAMPING RUBBER                 | 6     |
| 9   | 77232004000 | DRIVING SLEEVE D=7,95 L=38     | 6     |
| 10  | 0025050206  | HH COLLAR SCREW M5X20 TX30     | 6     |
| 11  | 59032011100 | LINING DISC 2MM 04             | 8     |
| 12  | 59032010200 | INTERMEDIATE DISC 1,4MM 2002   | 7     |
| 13  | 78132054100 | PUSH ROD                       | 1     |
| 14  | 78132018000 | TAB WASHER                     | 1     |
| 15  | 0936181505  | HEXAGON NUT DIN0936-M18X1,5 R. | 1     |
| 16  | 0025060306  | HH COLLAR SCREW M6X30 TX30     | 1     |
| 21  | 59032065000 | GASKET FOR SLAVE CYLINDER      | 1     |
| 22  | 54832061044 | OUTPUT CYLINDER CPL. 06        | 1     |
| 23  | 54832066000 | PISTON CPL.                    | 1     |
| 24  | 54832067000 | O-RING                         | 1     |
| 25  | 54832069000 | PRESSURE SPRING                | 1     |
| 26  | 0603100141  | COPPER GASKET DIN7603-10X14X1  | 2     |
| 27  | 78132063000 | CLUTCH PIPE                    | 1     |
| 28  | 62513020000 | BLEEDER SCREW CPL. 05          | 1     |
| 29  | 0025060206  | HH COLLAR SCREW M6X20 TX30     | 2     |
| 31  | 50329050000 | VENT INJEKTION HYDR. CLUTCH    | 1     |
| 33  | 59032010100 | INTERMEDIATE DISC 1MM 2002     | 1     |
| 35  | 78132057144 | PRESSURE PIECE CPL.            | 1     |
| 36  | 78132006100 | SPRING RING                    | 1     |
| 37  | 76432005000 | CLUTCH SPRING "300Nm"          | 1     |
| 38  | 78132002111 | HUB                            | 1     |
| 39  | 78932010000 | INTERMEDIATE DISC 1MM          | 1     |
| 99  | 78932010033 | CLUTCH DISC KIT                | 1     |

157643210

C157643210

\* NEW PART

X ON DEMAND



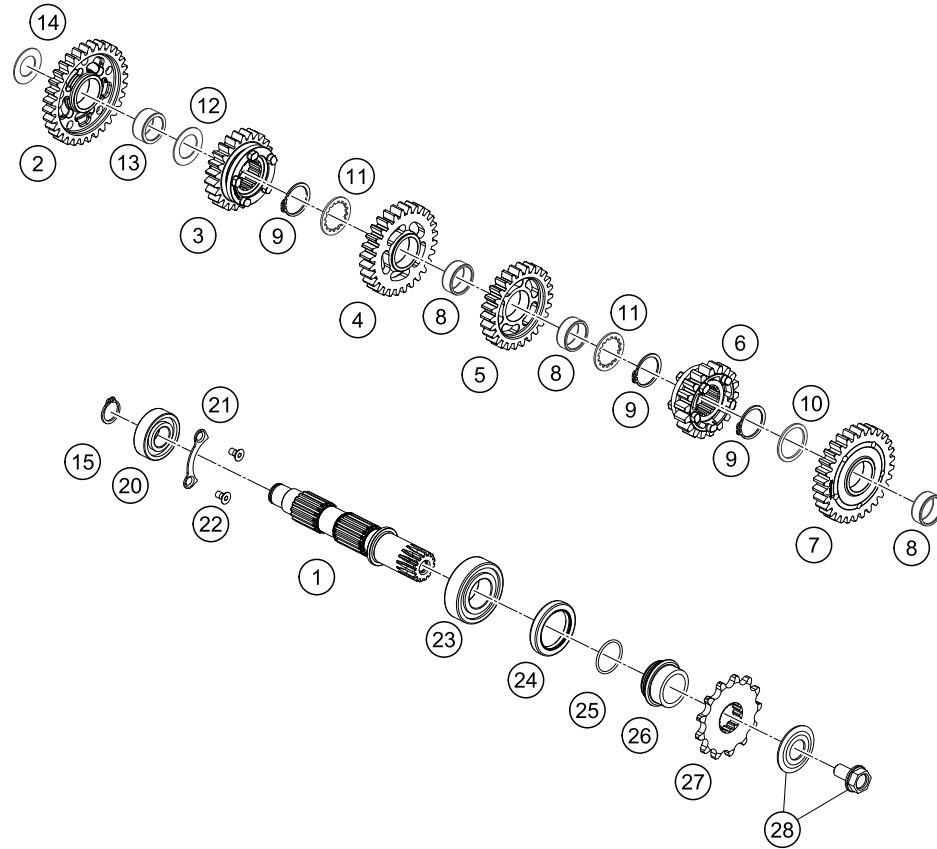
| POS | PARTNUMBER  | PARTNAME                      | PIECE |
|-----|-------------|-------------------------------|-------|
| 1   | 76433001000 | MAIN SHAFT                    | 1     |
| 2   | 76433005000 | IDLER GEAR 5.G.               | 1     |
| 3   | 76433003000 | SLIDING GEAR 3/4 G.           | 1     |
| 4   | 76433006000 | IDLER GEAR 6.G.               | 1     |
| 5   | 76433002000 | SOLID GEAR 2.G.               | 1     |
| 6   | 56033030000 | STOP DISC 17,2X30X1           | 1     |
| 7   | 0405222613  | NEEDLE BEAR. K 22X26X13 TN    | 2     |
| 8   | 78033033000 | STOP DISK 23 X 32 X 1,5       | 1     |
| 9   | 0471250120  | CIRCLIP DIN0471-25X1,2        | 2     |
| 10  | 78033031000 | STOP DISK 26 X 32 X 1,5       | 1     |
| 20  | 0625062054  | BALL BEARING 6205 C3 NTN      | 1     |
| 21  | 78033032000 | TAB WASHER BEARING MAIN SHAFT | 1     |
| 22  | 0019050121S | INT. TORX FLAT HEAD M5X12 T25 | 2     |
| 23  | 0625062036  | BALL BEARING 6203 RSH C3      | 1     |

157643330

C157643330

\* NEW PART

X ON DEMAND



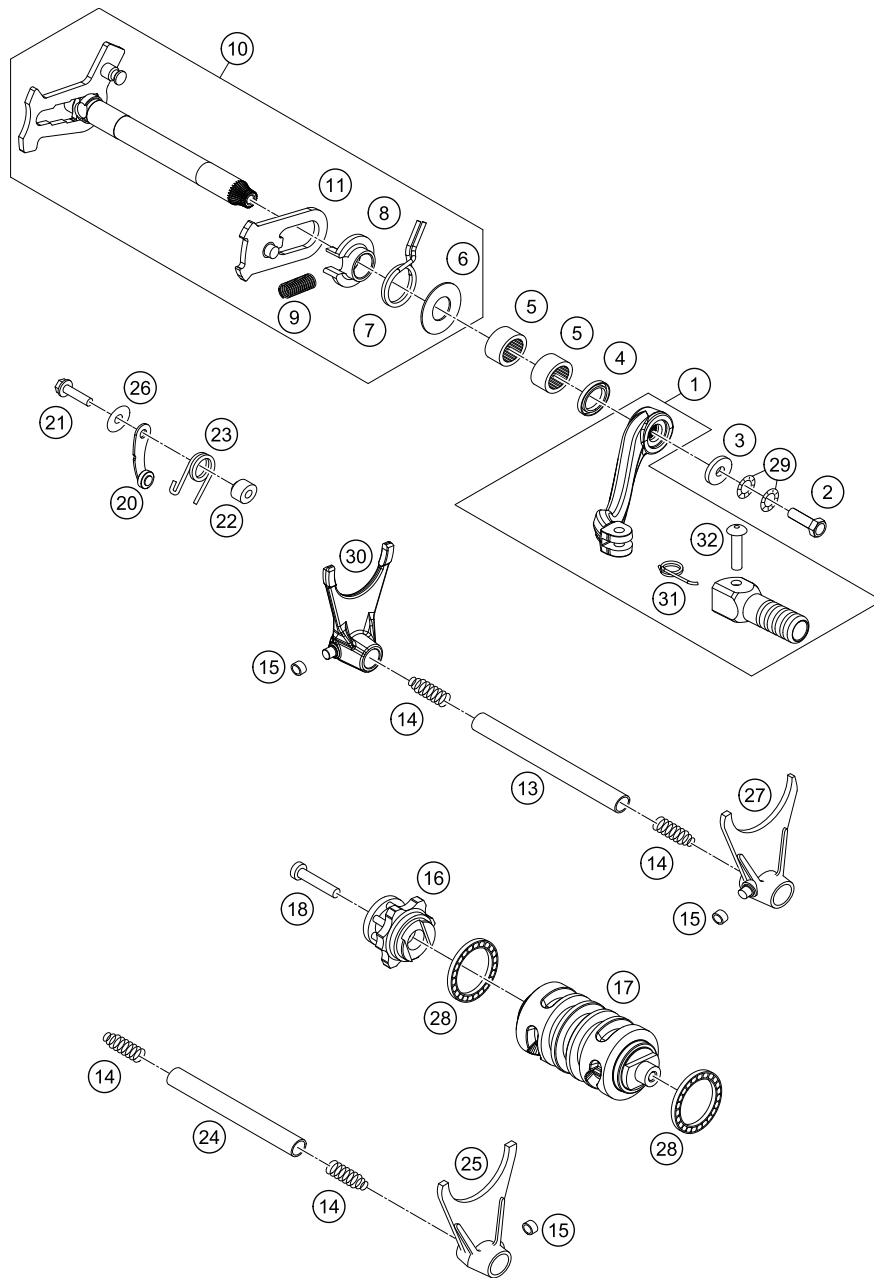
| POS | PARTNUMBER  | PARTNAME                       | PIECE |
|-----|-------------|--------------------------------|-------|
| 1   | 76433010000 | COUNTERSHAFT                   | 1     |
| 2   | 76433011000 | IDLER GEAR 1.G.                | 1     |
| 3   | 76433015000 | SLIDING GEAR 5.G.              | 1     |
| 4   | 76433013000 | IDLER GEAR 3.G.                | 1     |
| 5   | 76433014000 | IDLER GEAR 4 G.                | 1     |
| 6   | 76433016000 | SLIDING GEAR 6.G.              | 1     |
| 7   | 76433012000 | IDLER GEAR 2.G.                | 1     |
| 8   | 0405222611  | NEEDLE BEAR.K 22X26X10 DIVIDED | 3     |
| 9   | 0471250120  | CIRCLIP DIN0471-25X1,2         | 3     |
| 10  | 78033031000 | STOP DISK 26 X 32 X 1,5        | 1     |
| 11  | 78033033000 | STOP DISK 23 X 32 X 1,5        | 2     |
| 12  | 59033080000 | SHIM 20X32X1                   | 1     |
| 13  | 0405202612  | NEEDLE BEARING K 20X26X12      | 1     |
| 14  | 56033030000 | STOP DISC 17,2X30X1            | 1     |
| 15  | 0471170015  | CIRCLIP DIN 0471-17X1, 5       | 1     |
| 20  | 0625062035  | BALL BEARING 6203 JR2 C3       | 1     |
| 21  | 78033132000 | TAB WASHER BEARING COUNT.SHAFT | 1     |
| 22  | 0019050121S | INT. TORX FLAT HEAD M5X12 T25  | 2     |
| 23  | 49030023000 | CYL.ROLL BEARING NJ205         | 1     |
| 24  | 0760324571  | SHAFT SEAL RING 32X45X7 BSLNBR | 1     |
| 25  | 0770020220  | O-RING 25,12X1,78 NBR70        | 1     |
| 26  | 76433030000 | SPACER SLEEVE COUNTER          | 1     |
| 27  | 50033029013 | % FRONT SPROCKET 13-T          | x     |
| 27  | 50033029014 | % FRONT SPROCKET 14-T          | 1     |
| 27  | 50033029015 | FRONT SPROCKET 15-T            | x     |
| 28  | 59033034044 | SCREW 10.9+SPRING WASHER       | 1     |

157643360

C157643360

\* NEW PART

X ON DEMAND



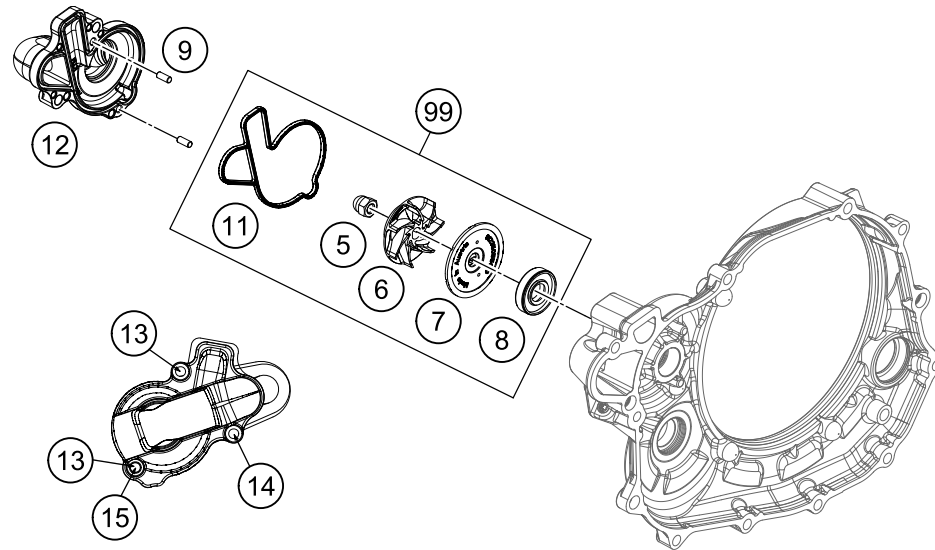
157643410

| POS | PARTNUMBER  | PARTNAME                     | PIECE |
|-----|-------------|------------------------------|-------|
| 1   | 76334031000 | SHIFT LEVER CPL. RALLY 11    | 1     |
| 2   | 0025060166S | HH COLLAR SCREW M6X16 ISA 30 | 1     |
| 3   | 50232050001 | STEEL WASHER 6,4X17X3        | 1     |
| 4   | 0760142460  | SHAFT SEAL RING 14X24X6 B    | 1     |
| 5   | 54632095000 | NEEDLE BEAR.HK 1412 14X20X12 | 2     |
| 6   | 54634050000 | STOP DISK 14X30X1            | 1     |
| 7   | 54634014100 | RETURN SPRING 2,2MM '95      | 1     |
| 8   | 54634020000 | SPRING GUIDE                 | 1     |
| 9   | 56534013100 | TENSIONING SPRING 0,8MM      | 1     |
| 10  | 76434005033 | SHIFT SHAFT CPL.             | 1     |
| 11  | 61234008044 | SLIDING PLATE                | 1     |
| 13  | 78034020000 | SHIFT RAIL 11,8X101,5        | 1     |
| 14  | 58038023200 | PRESSURE SPRING 0,9MM        | 4     |
| 15  | 50334018100 | SHIFTING ROLLER 6X8X5,2      | 3     |
| 16  | 78134015044 | SHIFT DRUM LOCATING ALU CPL. | 1     |
| 17  | 78034012000 | SHIFT ROLLER                 | 1     |
| 18  | 0012060303  | % AH SCREW DIN6912 M6X30 8.8 | 1     |
| 20  | 78134024044 | LOCKING LEVER CPL.           | 1     |
| 21  | 0025050206  | HH COLLAR SCREW M5X20 TX30   | 1     |
| 22  | 54634052300 | SLEEVE FOR LOCKING LEVER     | 1     |
| 23  | 60034023200 | ARRESTING LEVER SPRING       | 1     |
| 24  | 78034019000 | SHIFT RAIL 11,8X85           | 1     |
| 25  | 76434001000 | SHIFTING FORK 5./6. GEAR     | 1     |
| 26  | 0021050003  | WASHER DIN9021-A 5,3         | 1     |
| 27  | 76434002000 | SHIFTING FORK 2./4. GEAR     | 1     |
| 28  | 0625618050  | BALL BEARING 61805 C3        | 2     |
| 29  | 50233041000 | PAIR OF WASHERS M 6 NORDLOCK | 1     |
| 30  | 76434003000 | SHIFTING FORK 1./3. GEAR     | 1     |
| 31  | 54634032100 | SHIFTING LEVER SPRING 250    | 1     |
| 32  | 54634031050 | BOLT 6X25 FOR SHIFT LEVER    | 1     |

C157643410

\* NEW PART

X ON DEMAND



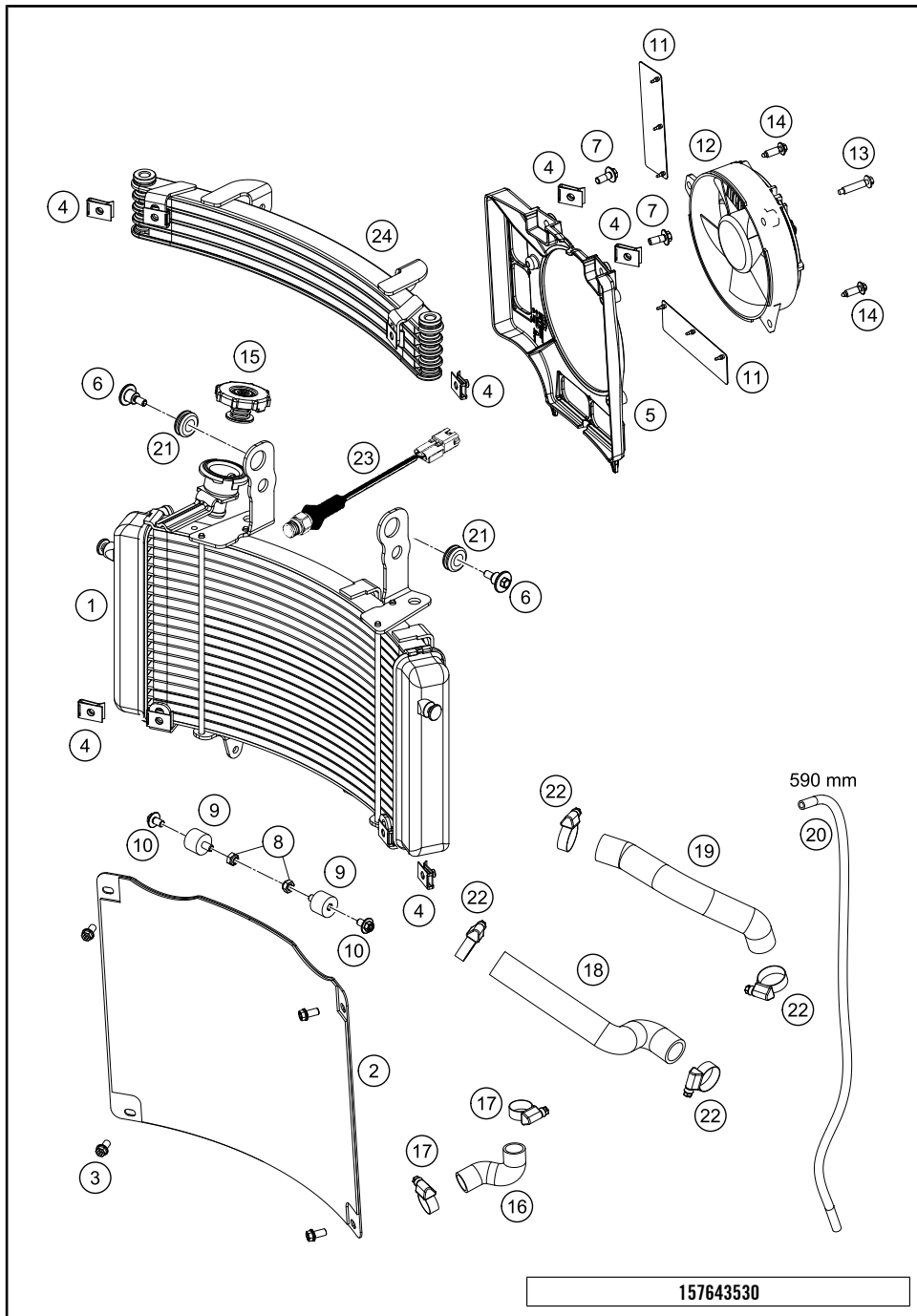
| POS | PARTNUMBER  | PARTNAME                     | PIECE |
|-----|-------------|------------------------------|-------|
| 5   | 61230045000 | CAP NUT M6 STAINLESS STEEL   | 1     |
| 6   | 81235055020 | WATER PUMP ROTOR             | 1     |
| 7   | 81235055110 | DISC WATER PUMP              | 1     |
| 8   | 0760123073  | SHAFT SEAL RING 12X30X7 PTFE | 1     |
| 9   | 0402040980  | NEEDLE ROL.DIN5402 NRB 4X9,8 | 2     |
| 11  | 78135053000 | WATER-PUMP GASKET            | 1     |
| 12  | 78135052000 | WATER PUMP COVER CPL.        | 1     |
| 13  | 0025060256  | HH COLLAR SCREW M6X25 TX30   | 2     |
| 14  | 0025060656  | HH COLLAR SCREW M6X65 TX30   | 1     |
| 15  | 0603061001  | CU-SEAL RING DIN7603-6X10X1  | 1     |
| 99  | 81235055015 | WATER PUMP REP. KIT 12-14    | x     |

137893511

C157643510

\* NEW PART

X ON DEMAND



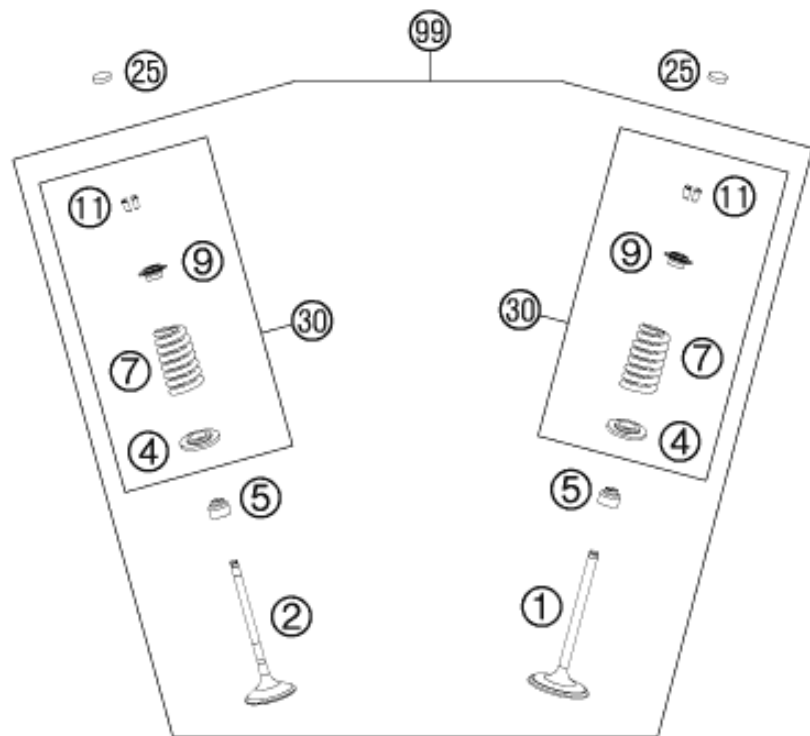
157643530

| POS | PARTNUMBER  | PARTNAME                       | PIECE |
|-----|-------------|--------------------------------|-------|
| 1   | 7643501000  | WATER RADIATOR                 | 1     |
| 2   | 76435034044 | RADIATOR PROTECTION CPL.       | 1     |
| 3   | 0025060126  | HH COLLAR SCREW M6X12 TX30     | 4     |
| 4   | 54603048100 | RANGE CHANGE METAL NUT M6      | 6     |
| 5   | 76435044000 | FAN COVER                      | 1     |
| 6   | 60035001000 | SPECIAL SCREW M6X21 WS=8       | 2     |
| 7   | 0024060156  | HH COLLAR SCREW M6X15 TX30     | 2     |
| 8   | 0985060003  | SELF LOCK. NUT DIN0985-M 6     | 2     |
| 9   | 43205062100 | RUBBER GROMMET 20X15-M6X10 (1) | 2     |
| 10  | 0024060106  | HH COLLAR SCREW M6X10 TX30     | 2     |
| 11  | 62635044050 | FAN CLACK RUBBER 08            | 2     |
| 12  | 60035041000 | FAN L/S 03                     | 1     |
| 13  | 0017060305  | SPECIAL SCREW K60X30 WS=6      | 1     |
| 14  | 0017060205  | SCREW FOR PLASTIC K60X20 SW6   | 2     |
| 15  | 76435009000 | RADIATR CAP                    | 1     |
| 16  | 76435026002 | RADIATOR HOSE                  | 1     |
| 17  | 42013037400 | HOSE CLAMP NORMA 14/24         | 2     |
| 18  | 76435026000 | RADIATOR HOSE                  | 1     |
| 19  | 76435026001 | RADIATOR HOSE                  | 1     |
| 20  | 58507007001 | HOSE 8X5MM RALLYE 03           | 1     |
| 21  | 41001052000 | RUBBER SLEEVE D=12MM           | 2     |
| 22  | 10001020000 | HOSE CLAMP GEMI 18-29          | 4     |
| 23  | 76435045000 | THERMOSWITCH 80-85 DG          | 1     |
| 24  | 76438051000 | OIL RADIATOR                   | 1     |

C157643530

\* NEW PART

X ON DEMAND



AUSLASS / EXHAUST

EINLASS / INTAKE

| POS | PARTNUMBER  | PARTNAME                  | PIECE |
|-----|-------------|---------------------------|-------|
| 1   | 78936030100 | INTAKE VALVE              | 2     |
| 2   | 78936031000 | EXHAUST VALVE             | 2     |
| 4   | 78936036000 | VALVE SPRING HOLDER       | 4     |
| 5   | 59036027000 | VALVE-STEM SEALING RACING | 4     |
| 7   | 78936028000 | VALVE SPRING              | 4     |
| 9   | 78936032000 | VALVE SPRING RETAINER     | 4     |
| 11  | 77336033100 | VALVE COLLET 07           | 8     |
| 15  | 78936061044 | % ROCKER ARM EXHAUST CPL. | 1     |
| 18  | 78936056000 | ROCKER ARM SHAFT INTAKT   | 1     |
| 19  | 78936057000 | ROCKER ARM SHAFT EXHAUST  | 1     |
| 20  | 78936060000 | % ROCKER ARM INTAKE       | 1     |
| 21  | 0770150151  | O-RING 15,00X1,50 VITON   | 2     |
| 22  | 78936081000 | SCREW M18X1,5             | 2     |
| 23  | 77036080000 | SPECIAL SCREW M7X40 WS10  | 2     |
| 24  | 78036080000 | FIT BOLT M7X1X55          | 2     |
| 25  | 77036035172 | SHIM D=8,9/1,72           | x     |
| 25  | 77036035176 | SHIM D=8,9/1,76           | x     |
| 25  | 77036035180 | SHIM D=8,9/1,80           | x     |
| 25  | 77036035184 | SHIM D=8,9/1,84           | x     |
| 25  | 77036035188 | SHIM D=8,9/1,88           | x     |
| 25  | 77036035192 | SHIM D=8,9/1,92           | x     |
| 25  | 77036035196 | SHIM D=8,9/1,96           | x     |
| 25  | 77036035200 | SHIM D=8,9/2,00           | x     |
| 25  | 77036035204 | SHIM D=8,9/2,04           | x     |
| 25  | 77036035208 | SHIM D=8,9/2,08           | x     |
| 25  | 77036035212 | SHIM D=8,9/2,12           | x     |
| 25  | 77036035216 | SHIM D=8,9/2,16           | x     |
| 25  | 77036035220 | SHIM D=8,9/2,20           | x     |
| 25  | 77036035224 | SHIM D=8,9/2,24           | x     |
| 25  | 77036035228 | SHIM D=8,9/2,28           | x     |
| 25  | 77036035232 | SHIM D=8,9/2,32           | x     |
| 25  | 77036035236 | SHIM D=8,9/2,36           | x     |
| 25  | 77036035240 | SHIM D=8,9/2,40           | x     |
| 25  | 77036035244 | SHIM D=8,9/2,44           | x     |
| 25  | 77036035248 | SHIM D=8,9/2,48           | x     |
| 25  | 77036035252 | SHIM D=8,9/2,52           | x     |
| 25  | 77036035256 | SHIM D=8,9/2,56           | x     |
| 25  | 77036035260 | SHIM D=8,9/2,60           | x     |

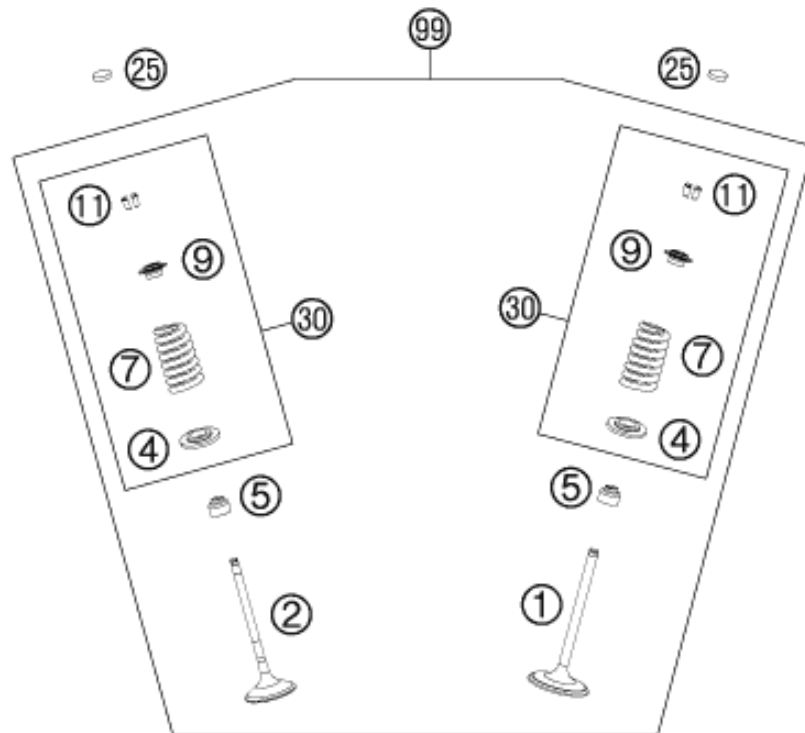
137893610

C157643610

\* NEW PART

X ON DEMAND





AUSLASS / EXHAUST

EINLASS / INTAKE

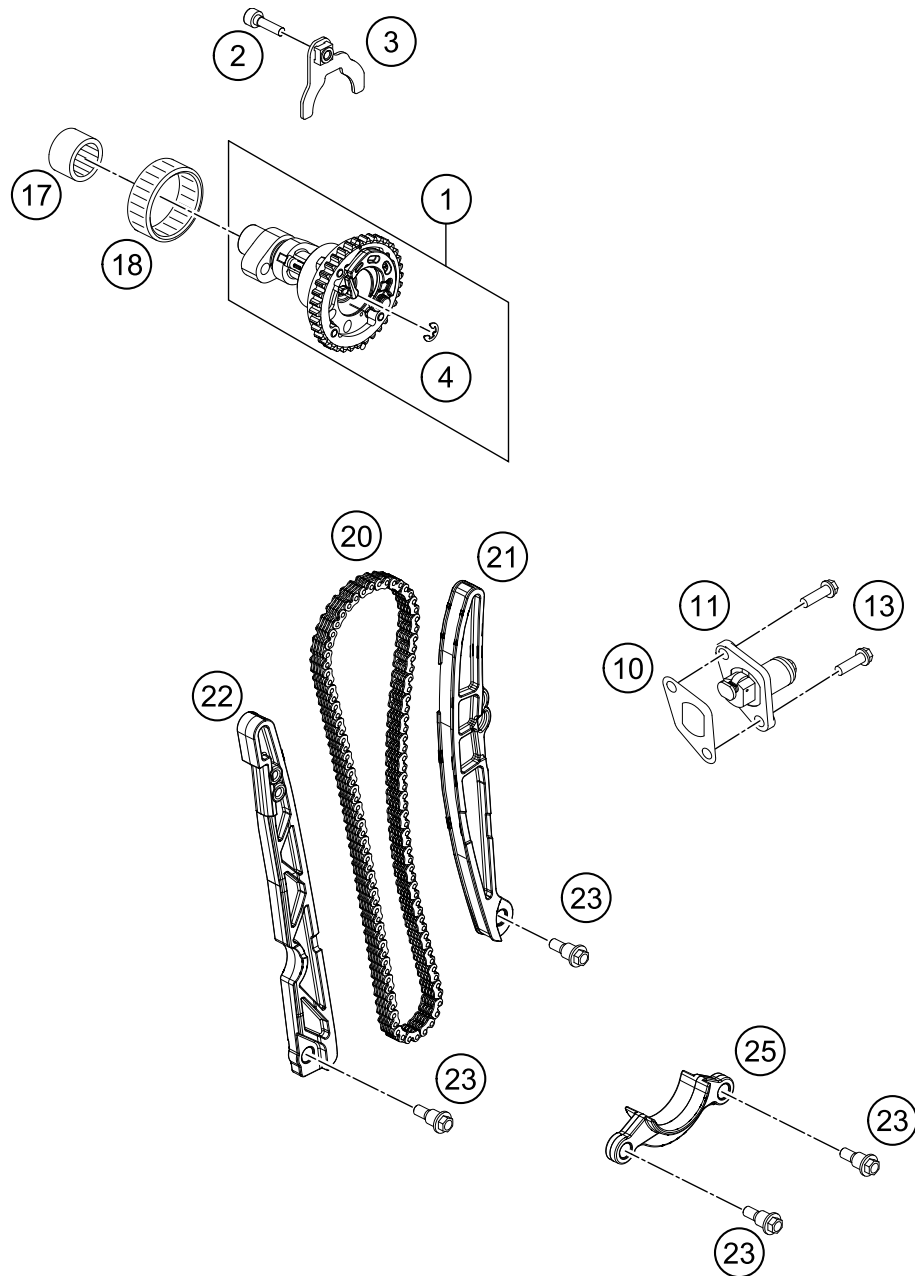
| POS | PARTNUMBER  | PARTNAME                   | PIECE |
|-----|-------------|----------------------------|-------|
| 30  | 78936029044 | VALVE SPR.-KIT 450 SX-F 13 | X     |
| 99  | 78936030110 | VALVE KIT 450 HQV 14       | X     |

137893610

C157643610

\* NEW PART

X ON DEMAND



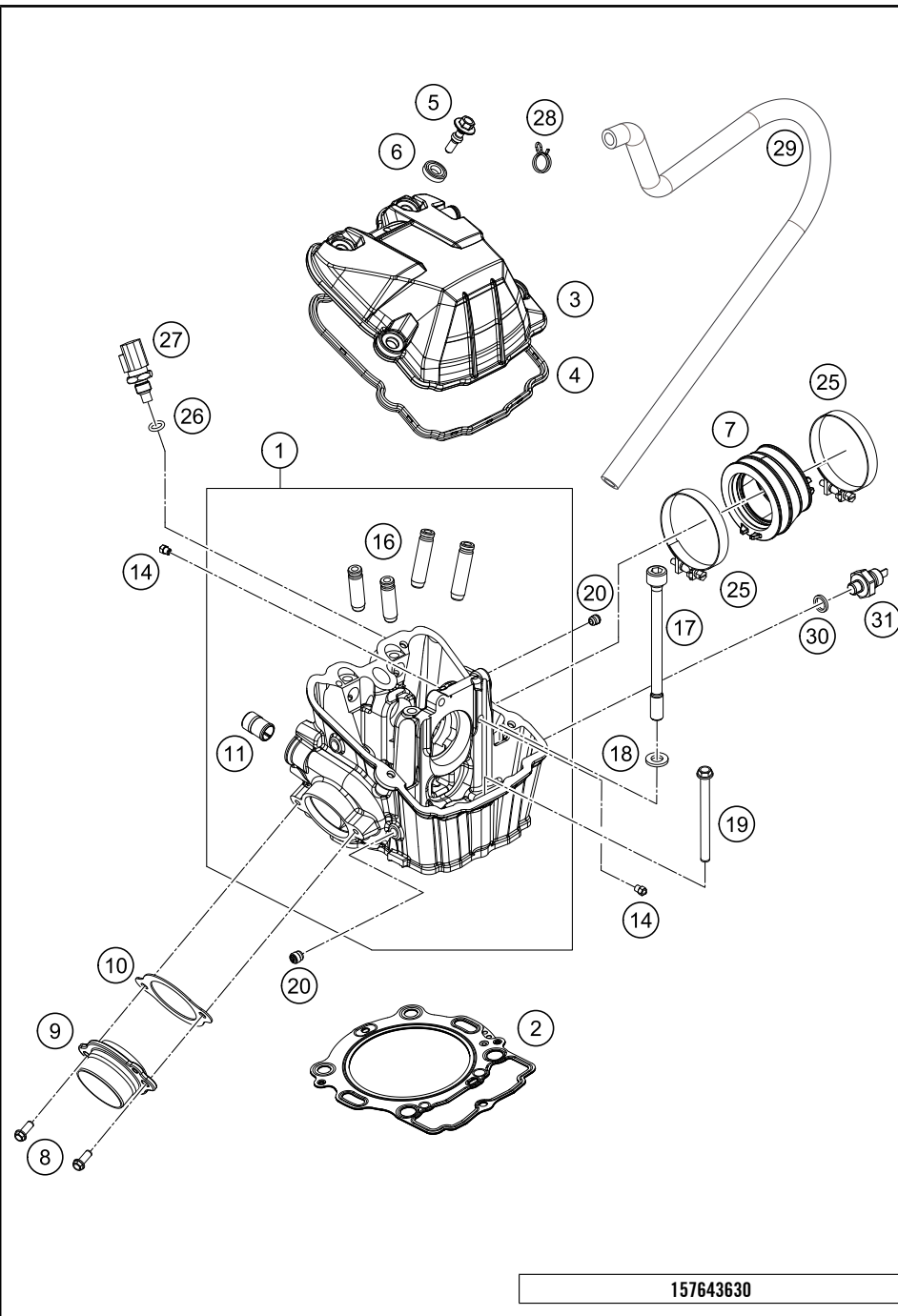
| POS | PARTNUMBER  | PARTNAME                       | PIECE |
|-----|-------------|--------------------------------|-------|
| 1   | 76436010033 | CAMSHAFT W. AUTODECO           | 1     |
| 2   | 0025060206S | HH COLLAR SCREW M6X20 TX30     | 1     |
| 3   | 78036012033 | RETAINING PLATE CAMSHAFT CPL.  | 1     |
| 4   | 0799050000  | TAB WASHER DIN6799 RS5         | 1     |
| 10  | 59036003050 | GASKET TIMING CHAIN TENSIONER  | 1     |
| 11  | 59036003000 | TIMINGCHAIN TENSIONER CPL.RAC. | 1     |
| 13  | 0025060166  | HH COLLAR SCREW M6X16 TX30     | 2     |
| 17  | 0618182414  | NEEDLE SLEEVE HK1814RS18/24/14 | 1     |
| 18  | 0618404712  | NEEDLE SLEEVE HK4012B40X47X12  | 1     |
| 20  | 78036013000 | TIMING CHAIN 110T 08           | 1     |
| 21  | 78136002100 | TIMING CHAIN TENSIONER         | 1     |
| 22  | 78136001000 | TIMING CHAIN GUIDE             | 1     |
| 23  | 77236001160 | BUSHING SCREW M6               | 4     |
| 25  | 78136018000 | FAILURE PROTECTION             | 1     |

147893620

C157643620

\* NEW PART

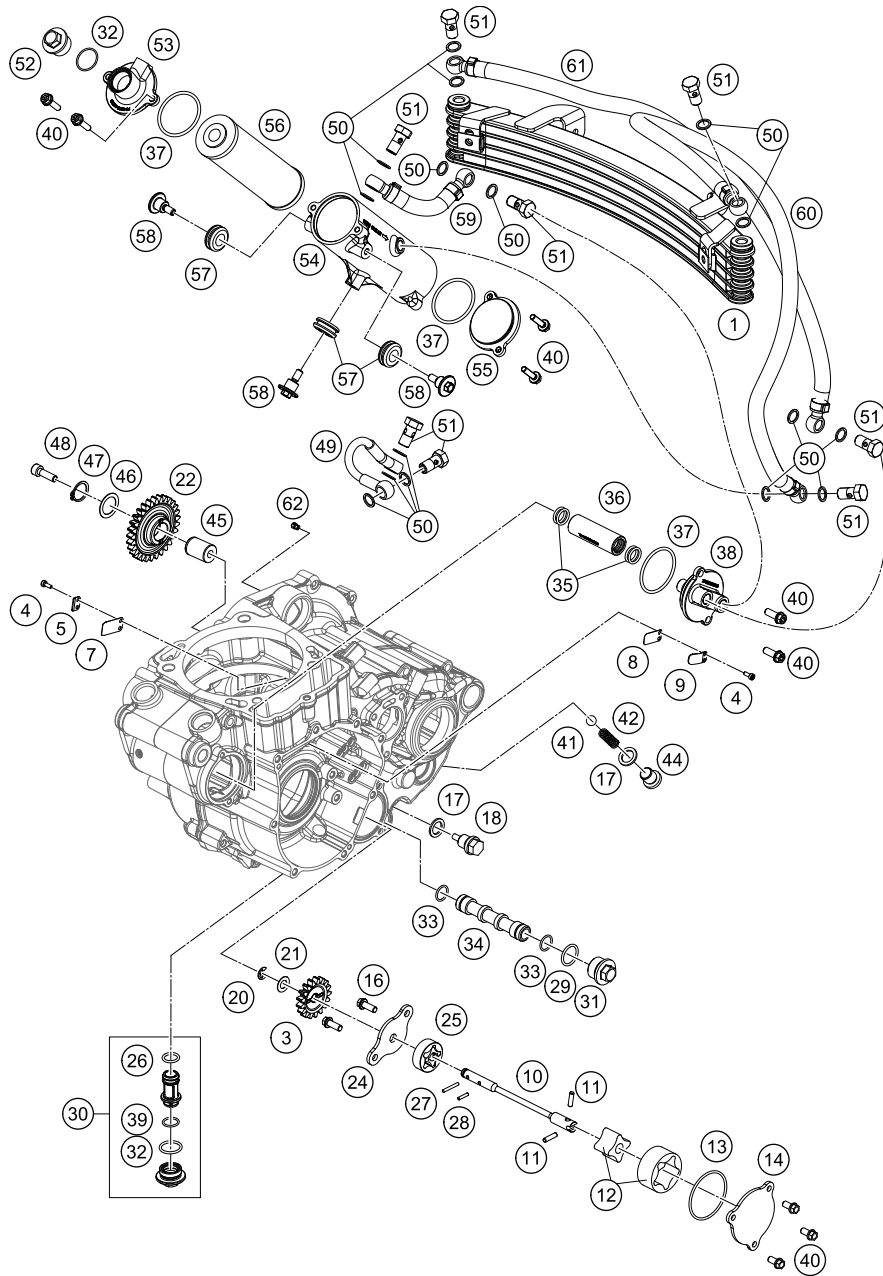
X ON DEMAND



| POS | PARTNUMBER    | PARTNAME                       | PIECE |
|-----|---------------|--------------------------------|-------|
| 1   | 76436020000   | CYLINDER HEAD CPL.             | 1     |
| 2   | 78930036010   | CYLINDER HEAD GASKET S=1.0     | 1     |
| 3   | 7803605200033 | VALVE COVER BLACK MATT         | 1     |
| 4   | 78036053100   | VALVE COVER GASKET             | 1     |
| 5   | 78036054100   | VALVE COVER SCREW              | 4     |
| 6   | 75036052010   | DECOUPLING ELEMENT 07          | 4     |
| 7   | 76436044000   | RUBBER BOOT                    | 1     |
| 8   | 0025060166S   | HH COLLAR SCREW M6X16 ISA 30   | 2     |
| 9   | 76436039000   | EXHAUST FLANGE                 | 1     |
| 10  | 78036041000   | EXHAUST FLANGE GASKET          | 1     |
| 11  | 58030010200   | SCREW IN NOZZLE M20X1,5        | 1     |
| 14  | 60030063070   | OIL JET 70 M5                  | 2     |
| 16  | 76436025001   | VALVE GUIDE INTAKE             | 4     |
| 17  | 78030044000   | CYL. HEAD SCREW M10X1,25 L=125 | 4     |
| 18  | 77336089010   | WASHER 19X10,5X2,5             | 4     |
| 19  | 0025060706    | HH COLLAR SCREW M6X70 TX30     | 1     |
| 20  | 59030296000   | SCREW PLUG                     | 3     |
| 25  | 61236048000   | HOSE CLAMP GEMI 66 / 1         | 2     |
| 26  | 0770100020    | O-RING 10,00X2,00 SILCONE      | 1     |
| 27  | 60011252000   | TEMPERAT.-SENSOR WATER LC8 02  | 1     |
| 28  | 58431082300   | CLAMP YDNAC 10173 (18MM)       | 1     |
| 29  | 77330086100   | ENGINE BREATHER TUBE           | 1     |
| 30  | 0603101420    | COPPER GASKET 10,2X14X2 MM 01  | 1     |
| 31  | 60038091100   | OIL-PRESSURE SWITCH LC8 04     | 1     |

\* NEW PART

X ON DEMAND



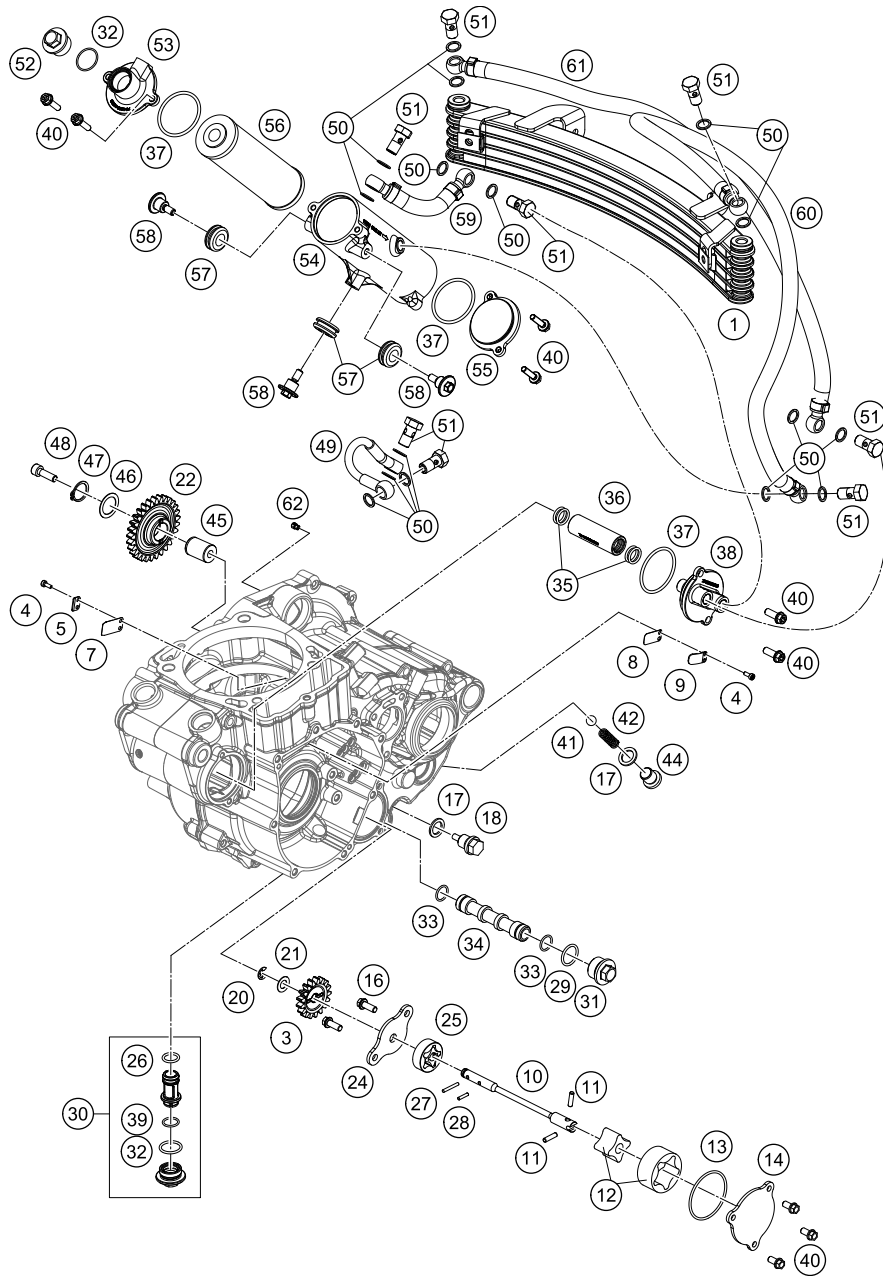
157643810

| POS | PARTNUMBER  | PARTNAME                       | PIECE |
|-----|-------------|--------------------------------|-------|
| 1   | 76438051000 | OIL RADIATOR                   | 1     |
| 3   | 78038001017 | OIL PUMP GEAR 17 T             | 1     |
| 4   | 0458030080  | CYLIND.SCREW M3X8 ISO 14580 SS | 2     |
| 5   | 75030003050 | STOP SHEET MEMBRANE 07         | 1     |
| 7   | 75030003051 | MEMBRANE 07                    | 1     |
| 8   | 81205027003 | MEMBRAN CRANKCASE              | 1     |
| 9   | 81205027004 | TAB WASHER MEMBRAN CSC         | 1     |
| 10  | 78138102000 | OIL PUMP SHAFT SP-DP           | 1     |
| 11  | 0402041580  | NEEDLE ROLLER NRB 4X15,8 G2    | 2     |
| 12  | 61238111000 | ROTOR-SET CPL. 22MM            | 1     |
| 13  | 0770440020  | O-RING 44,00X2,00 VITON        | 1     |
| 14  | 78038004000 | OIL PUMP COVER SUCTION PUMP    | 1     |
| 16  | 0025060166S | HH COLLAR SCREW M6X16 ISA 30   | 2     |
| 17  | 58038022000 | CU-SEAL RING DIN7603-12X18X1,5 | 2     |
| 18  | 58030021000 | OILDRAIN PLUG W.MAG. M 12X1,5  | 1     |
| 20  | 0799060000  | TAB WASHER DIN6799-RS 6,0      | 1     |
| 21  | 58038007755 | STOP DISK 8,1 X 15 X 0,5       | 1     |
| 22  | 78138001029 | IDLER GEAR 1 29Z               | 1     |
| 24  | 78138003000 | OIL PUMP COVER                 | 1     |
| 25  | 77038011000 | OILPUMP ROTOR 15MM G-164       | 1     |
| 26  | 0770012021  | O-RING 12X2 VITON GREEN        | 1     |
| 27  | 0402251980  | NEEDLEROL.DIN5402 NRA 2,5X19,8 | 1     |
| 28  | 0402251180  | NEEDLE ROLLER DIN5402 2,5X11,8 | 1     |
| 29  | 0770020170  | O-RING 17,17X1,78 GLO          | 1     |
| 30  | 78138015001 | OIL SCREEN CPL.                | 1     |
| 31  | 59038017100 | PLUG M20X1,5 WS=13             | 1     |
| 32  | 0770017025  | O-RING 17X2,5                  | 1     |
| 33  | 07701250151 | O-RING 12,5X1,5 VITON V75      | 2     |
| 34  | 59038016100 | OIL SCREEN                     | 1     |
| 35  | 0770012021  | O-RING 12X2 VITON GREEN        | 4     |
| 36  | 76438035000 | PIPE OIL LINE CONNECTOR        | 1     |
| 37  | 07700390261 | O-RING 39,34X2,62              | 3     |
| 38  | 76438050000 | OIL LINE CONNECTOR             | 1     |
| 39  | 0770125015  | O-RING 12,5X1,5 NBR            | 1     |
| 40  | 0025050166  | HH COLLAR SCREW M5X16 TX30     | 9     |
| 41  | 0401090003  | BALL DIN5401-9                 | 1     |
| 42  | 58038023300 | PRESSURE SPRING L=25MM D=1MM   | 1     |
| 44  | 0908120153  | PLUG DIN0908-M12X1,5           | 1     |

C157643810

\* NEW PART

X ON DEMAND



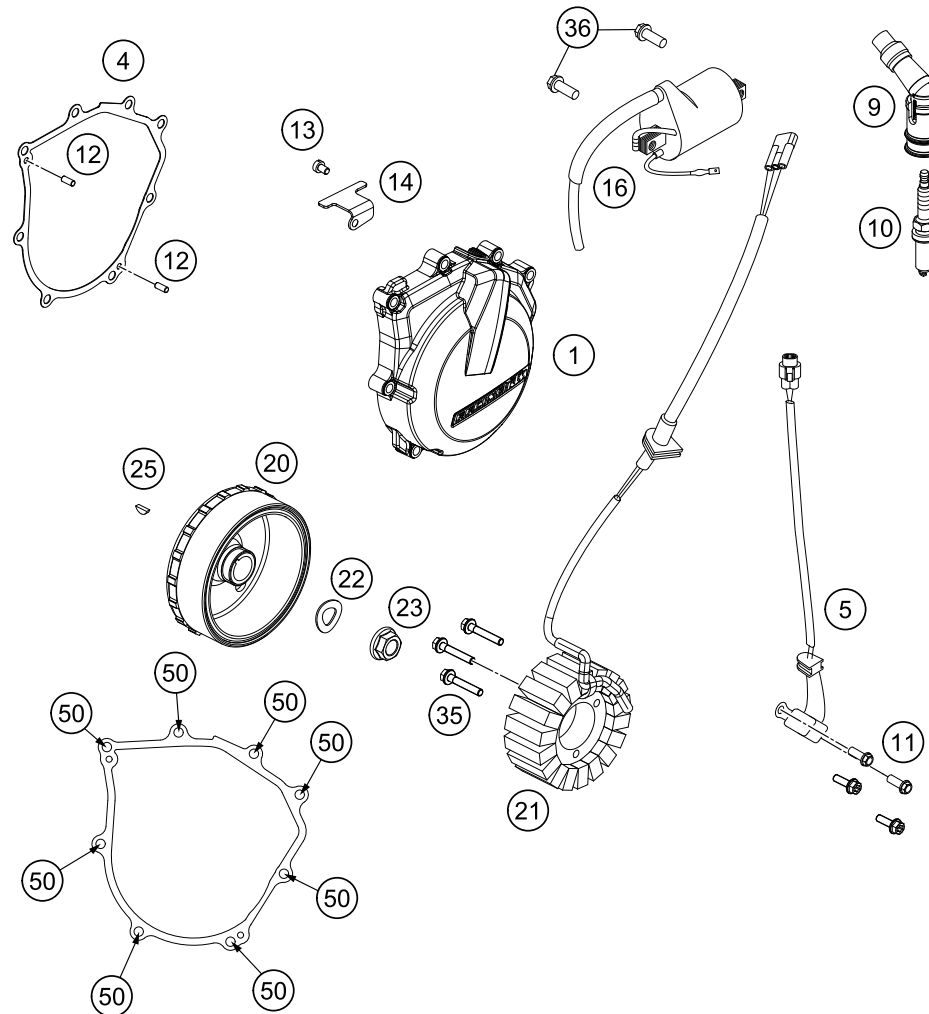
157643810

| POS | PARTNUMBER  | PARTNAME                      | PIECE |
|-----|-------------|-------------------------------|-------|
| 45  | 78040028000 | BUSHING PIN                   | 1     |
| 46  | 0988172405  | SHIM WASHER DIN0988-17X24X0,5 | 1     |
| 47  | 0471170010  | CIRCLIP DIN0471-17X1          | 1     |
| 48  | 0912060208  | AH SCREW DIN0912-M 6X20 SS    | 1     |
| 49  | 76438034000 | OIL JET                       | 1     |
| 50  | 0603100141  | COPPER GASKET DIN7603-10X14X1 | 16    |
| 51  | 54313025000 | HOLLOW SCREW M10 X 1          | 8     |
| 52  | 59038017000 | % PLUG M20X1,5 WS=13          | 1     |
| 53  | 76438141000 | % COVER OIL FILTER 1          | 1     |
| 54  | 76438143000 | % HOUSING OI FILTER           | 1     |
| 55  | 76438142000 | % COVER OIL FILTER 2          | 1     |
| 56  | 83538005000 | % OIL FILTER                  | 1     |
| 57  | 41001052000 | RUBBER SLEEVE D=12MM          | 3     |
| 58  | 60035001000 | SPECIAL SCREW M6X21 WS=8      | 3     |
| 59  | 76438053000 | OIL PIPE L=105MM              | 1     |
| 60  | 76438054000 | OIL PIPE L=615MM              | 1     |
| 61  | 76438055000 | OIL PIPE L=696MM              | 1     |
| 62  | 80030058060 | OIL JET "60" M4               | 1     |

C157643810

\* NEW PART

X ON DEMAND



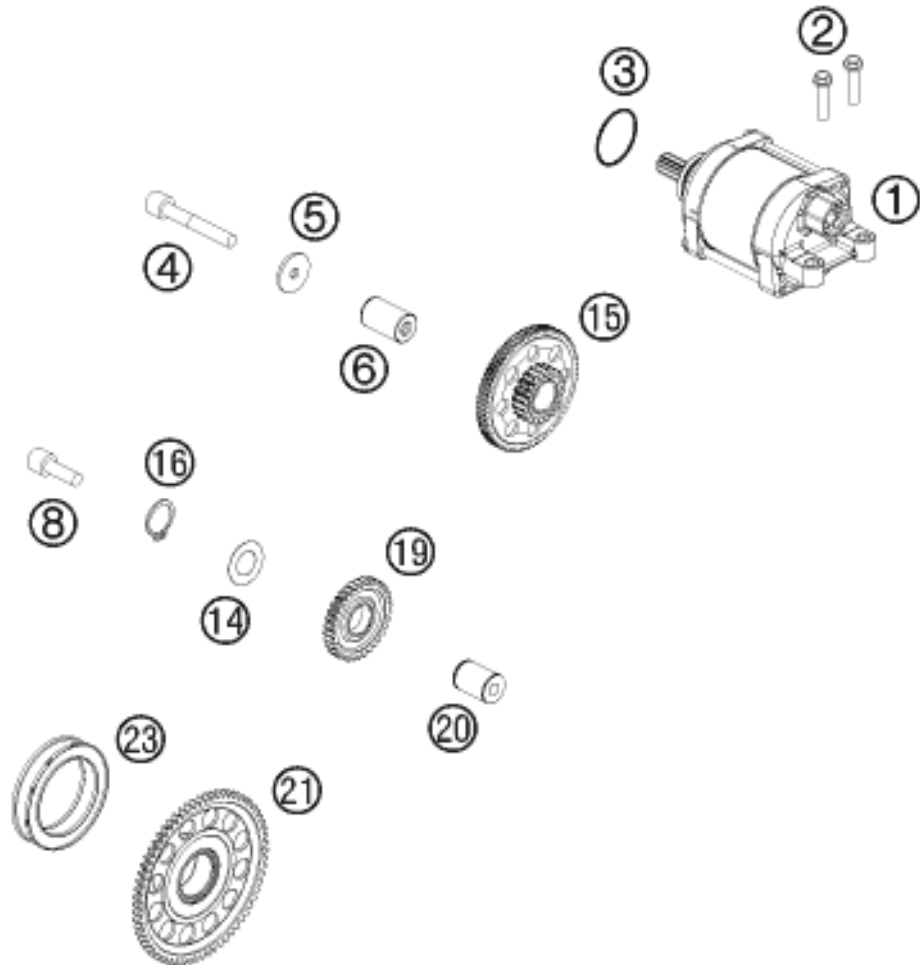
| POS | PARTNUMBER    | PARTNAME                       | PIECE |
|-----|---------------|--------------------------------|-------|
| 1   | 7813000230015 | IGNITION COVER                 | 1     |
| 4   | 78130040000   | GASKET - IGNITION COVER        | 1     |
| 5   | 59039034000   | PULSER COIL KOKUSAN 4K3-A/B    | 1     |
| 9   | 78039090100   | SPARK PLUG CONNECTOR           | 1     |
| 10  | 75039093000   | SPARK PLUG M12X1,25 LKAR8AI-9  | 1     |
| 11  | 0025050166    | HH COLLAR SCREW M5X16 TX30     | 2     |
| 12  | 0402040980    | NEEDLE ROL.DIN5402 NRB 4X9,8   | 2     |
| 13  | 0019040106S   | FLAT HEAD SCREW ISA25 M4X10    | 1     |
| 14  | 81230002010   | RETAINING PLATE                | 1     |
| 16  | 58439006000   | IGNITIONCOIL IG3826 KOKUSAN'96 | 1     |
| 20  | 78039205000   | ROTOR EXC 08                   | 1     |
| 21  | 83039004000   | STATOR                         | 1     |
| 22  | 0137120000    | SPRING WASHER DIN0137-B12      | 1     |
| 23  | 49030021000   | COLLAR NUT M12X1 R/S           | 1     |
| 25  | 0888030050    | WOODRUFF KEY DIN6888-3X5X13    | 1     |
| 35  | 0025050306    | HH COLLAR SCREW M5X30 TX30     | 3     |
| 36  | 0025060206    | HH COLLAR SCREW M6X20 TX30     | 2     |
| 50  | 0025060256    | HH COLLAR SCREW M6X25 TX30     | 8     |

157643910

C157643910

\* NEW PART

X ON DEMAND



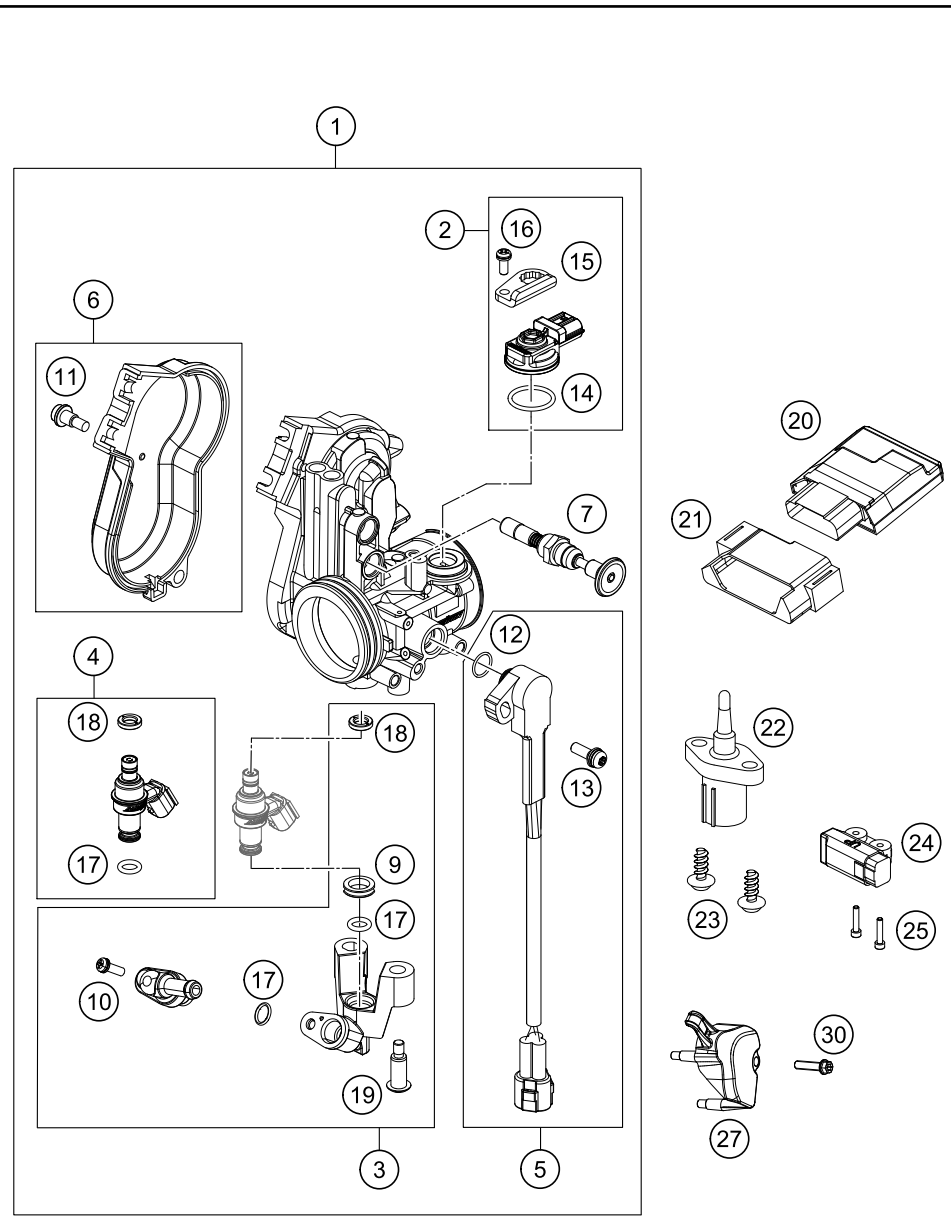
| POS | PARTNUMBER  | PARTNAME                      | PIECE |
|-----|-------------|-------------------------------|-------|
| 1   | 78140001000 | E-STARTER CPL. 0,5KW          | 1     |
| 2   | 0025060256  | HH COLLAR SCREW M6X25 TX30    | 2     |
| 3   | 0770250030  | O-RING 25,00X3,00 NBR 70      | 1     |
| 4   | 0025060406  | HH COLLAR SCREW M6X40 TX30    | 1     |
| 5   | 78040016004 | STOP DISC 6X23X2              | 1     |
| 6   | 78040029000 | BEARING BOLT                  | 1     |
| 8   | 0912060208  | AH SCREW DIN0912-M 6X20 SS    | 1     |
| 14  | 0988172405  | SHIM WASHER DIN0988-17X24X0,5 | 1     |
| 15  | 78040016100 | TORQUE LIMITER CPL.           | 1     |
| 16  | 0471170010  | CIRCLIP DIN0471-17X1          | 1     |
| 19  | 78940022000 | IDLER GEAR 30-T CPL.          | 1     |
| 20  | 78040028000 | BUSHING PIN                   | 1     |
| 21  | 78940020033 | FREEWHEEL GEAR 66 C CPL.      | 1     |
| 23  | 75040026000 | % FREE WHEEL                  | 1     |

137894010

C157644010

\* NEW PART

X ON DEMAND



| POS | PARTNUMBER  | PARTNAME                       | PIECE |
|-----|-------------|--------------------------------|-------|
| 1   | 76441001000 | THROTTLE BODY                  | 1     |
| 2   | 75041085044 | MAP SENSOR CPL. 07             | 1     |
| 3   | 77741013044 | FUEL RAIL CPL.                 | 1     |
| 4   | 77741023044 | INJECTOR KIT CPL.              | 1     |
| 5   | 77741077044 | TPS CPL.                       | 1     |
| 6   | 81241056044 | THROTTLE COVER CPL. 09         | 1     |
| 7   | 81241060000 | STARTER VALVE COMP.            | 1     |
| 9   | 77741023030 | SEAL RING                      | 1     |
| 10  | 75041013010 | SCREW SHOULDER                 | 1     |
| 11  | 81241056020 | SPECIAL SCREW AH               | 2     |
| 12  | 61041077010 | O-RING THROTTLE POS. SENSOR    | 1     |
| 13  | 81241077030 | SPECIAL SCREW                  | 1     |
| 14  | 75041085010 | O-RING                         | 1     |
| 15  | 77741085020 | PLATE                          | 1     |
| 16  | 81241085030 | SPECIAL SCREW                  | 1     |
| 17  | 75041023020 | O-RING 7,2x2,2                 | 2     |
| 18  | 75041023010 | SEAL RING                      | 1     |
| 19  | 75041013060 | SCREW SHOULDER                 | 2     |
| 20  | 77741031000 | ELECTRONIC CONTROL UNIT        | 1     |
| 21  | 77741031050 | RUBBER BRACKET ECU             | 1     |
| 22  | 61041080000 | AMBIENT-AIR TEMPERATURE SENSOR | 1     |
| 23  | 0912050123  | AH SCREW DIN0912-M 5X12        | 2     |
| 24  | 61041088000 | ROLLOVER SENSOR 05             | 1     |
| 25  | 0025060206  | HH COLLAR SCREW M6X20 TX30     | 2     |
| 27  | 77741077050 | PROTECTION CAP TPS             | 1     |
| 30  | 0025050256  | HH COLLAR SCREW M5X25 ISA30    | 1     |

157644110

C157644110

\* NEW PART X ON DEMAND



A large, empty rectangular box with a thin black border, occupying the majority of the page. It is intended for handwritten notes.

A large, empty rectangular box with a thin black border, occupying the majority of the page. It is intended for handwritten notes.



WWW.KTM.COM



KTM Sportmotorcycle GmbH  
5230 Mattighofen, Austria  
[www.ktm.com](http://www.ktm.com)



**KTM**\_POWERPARTS

**KTM**\_POWERWEAR

**KTM**\_ORIGINAL SPARE PARTS



3CM0892800EN

Art. Nr.: 3CM0892800EN 21. Mär 2016