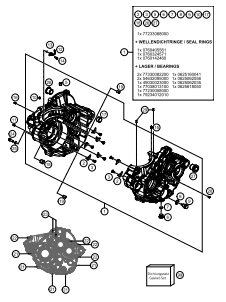
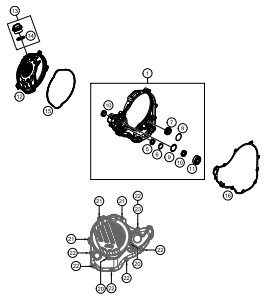
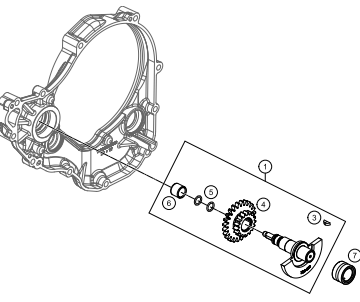
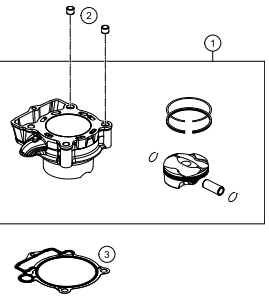
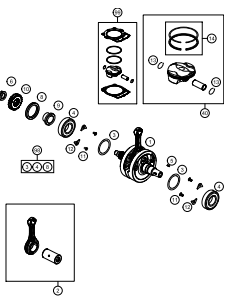
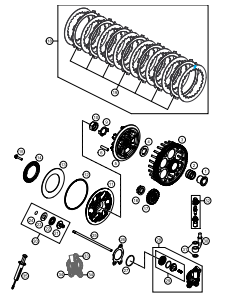
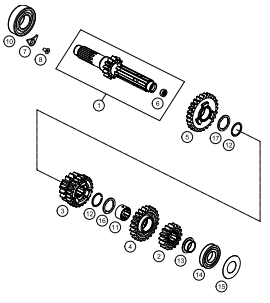
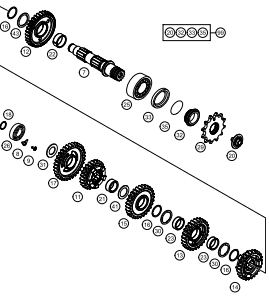
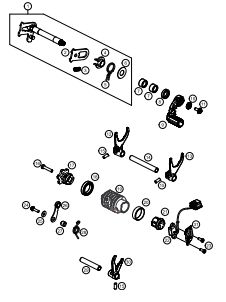
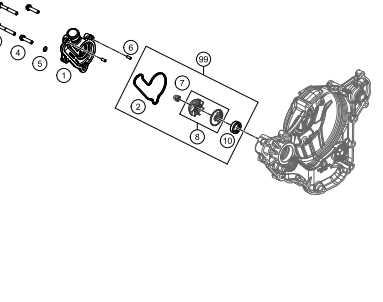
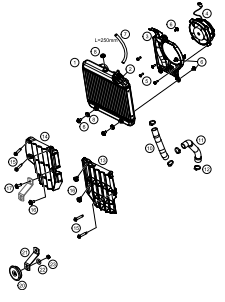
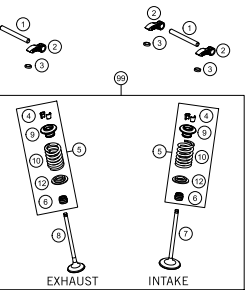
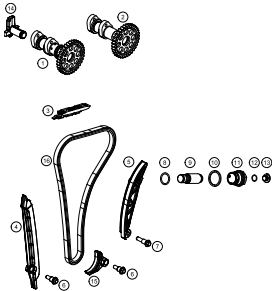
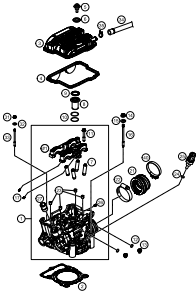
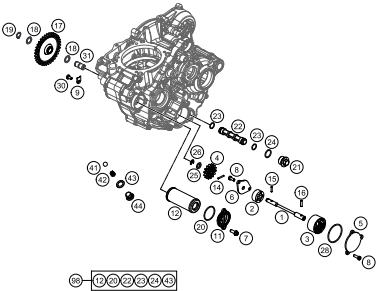
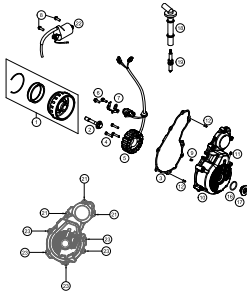
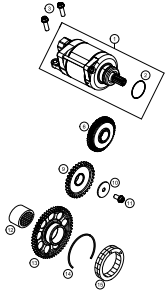
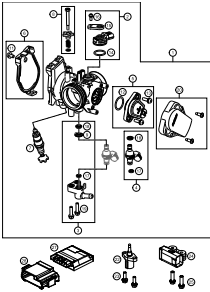
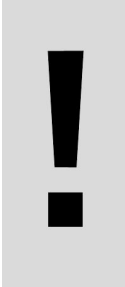


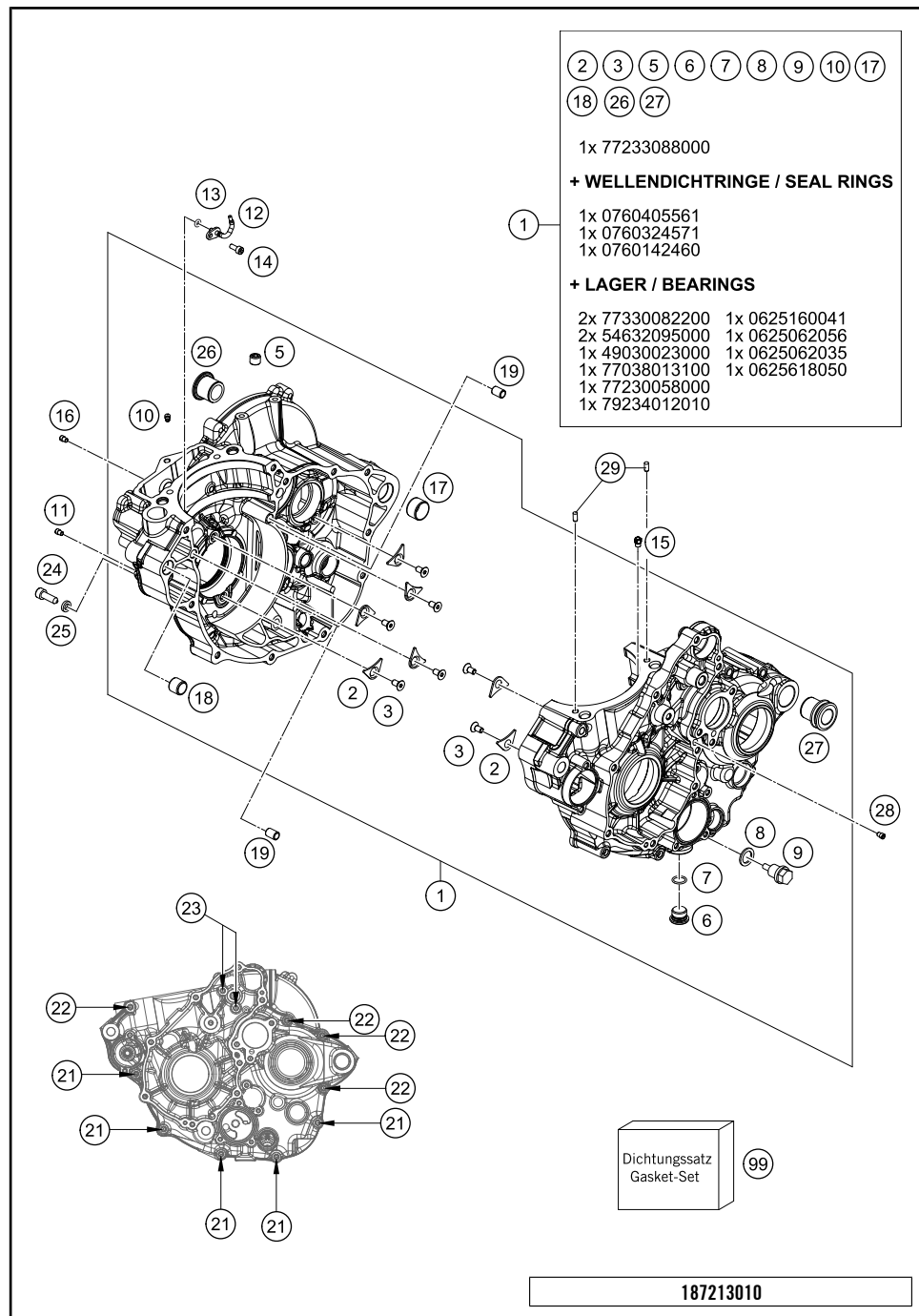
MOTOR 250 FREERIDE 2018

ART.-NR.: 089310REN



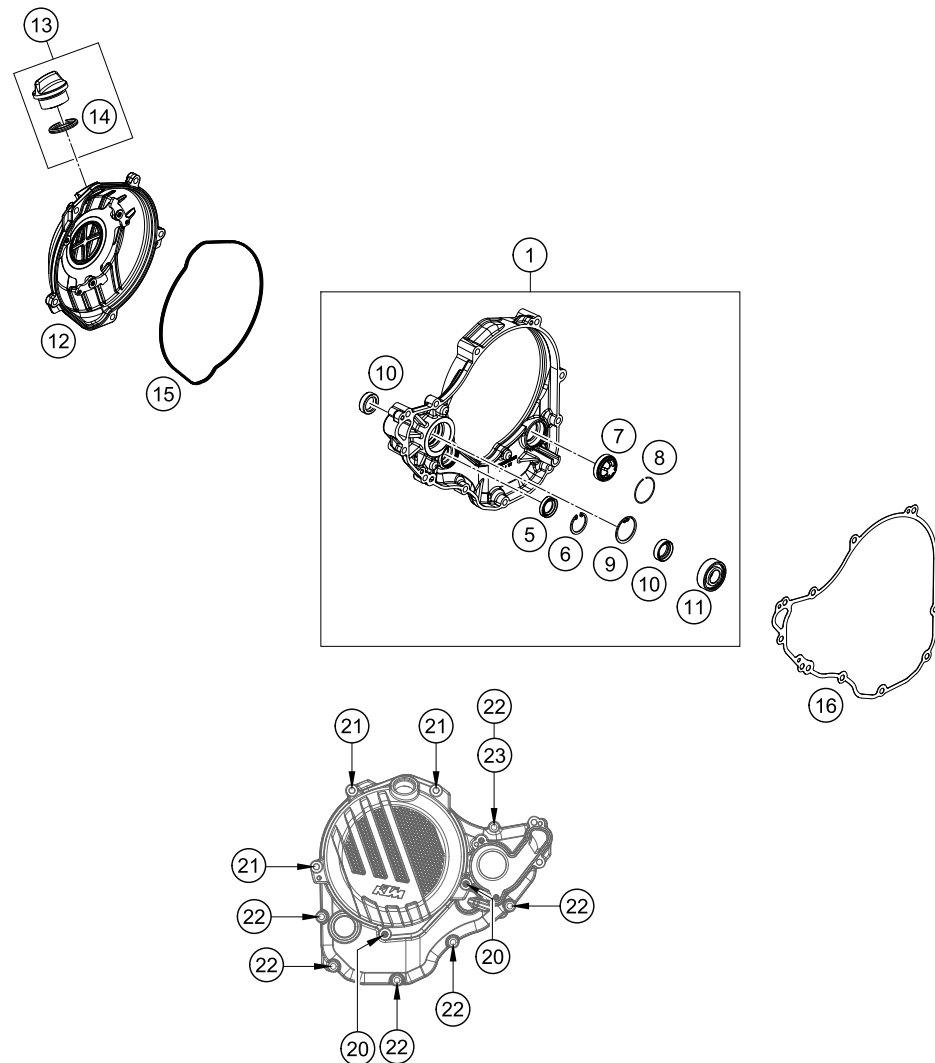
<p>ENGINE CASE</p>  <p>3</p>	<p>CLUTCH COVER</p>  <p>4</p>	<p>BALANCER SHAFT</p>  <p>5</p>	<p>CYLINDER</p>  <p>6</p>
<p>CRANKSHAFT, PISTON</p>  <p>7</p>	<p>CLUTCH</p>  <p>8</p>	<p>TRANSMISSION I - MAIN SHAFT</p>  <p>9</p>	<p>TRANSMISSION II - COUNTERSHAFT</p>  <p>10</p>
<p>SHIFTING MECHANISM</p>  <p>11</p>	<p>WATER PUMP</p>  <p>12</p>	<p>COOLING SYSTEM</p>  <p>13</p>	<p>VALVE DRIVE</p>  <p>14</p>

<p>TIMING DRIVE</p>  <p>15</p>	<p>CYLINDER HEAD</p>  <p>16</p>	<p>LUBRICATING SYSTEM</p>  <p>17</p>	<p>IGNITION SYSTEM</p>  <p>18</p>
<p>ELECTRIC STARTER</p>  <p>19</p>	<p>THROTTLE BODY</p>  <p>20</p>		
		 <p>All information contained is without obligation. KTM Sportmotorcycle GmbH particularly reserves the right to modify any equipment, technical specifications, prices, colors, shapes, materials, services, service work, constructions, equipment and the like so as to adapt them to local conditions or to cancel any of the above items, all without previous announcement and without giving reasons. KTM may stop manufacturing certain models without previous notice. KTM shall not be held liable for any deviations of availability and/or ability to deliver, illustrations, descriptions, printing and/or other errors. The illustrated models partly contain extra equipment, which is not applied to standard models.</p> <p>© by KTM Sportmotorcycle GmbH, Mattighofen AUSTRIA; All rights reserved; Reprint, also in extracts, with written allowance of KTM Sportmotorcycle GmbH, Mattighofen only.</p>	



POS	PARTNUMBER	PARTNAME	PIECE
1	79230200033	Engine case cpl.	1
2	75030085000	RETAINING PLATE F. CS BEARING	7
3	0019050121S	INT. TORX FLAT HEAD M5X12 T25	7
5	0906100100	pipe plug DIN 906 M10x1	1
6	78036081000	HOLDING BOLT M14X1,5	1
7	0770110015	O-RING 1,5x11 SILICON	1
8	58038022000	CU-SEAL RING DIN7603-12X18X1,5	1
9	58030021000	OILDRAIN PLUG W.MAG. M 12X1,5	1
10	80030058060	OIL JET "60" M4	1
11	77030058150	JET 44-031/150	1
12	81230164050	OIL JET ANGLED 50	1
13	0770035020	O-RING 3,5X2,00 NBR	1
14	0912040103	AH.SCREW DIN0912-M 4X10	1
15	60030063050	oil jet 50 M5	1
16	59030058000	JET 100 BING(44-031/180) M4	1
17	59030024000	DOWEL 17 X 19 X 12	1
18	54630027000	DOWEL BUSHING 13,8X11X12	1
19	59030023000	dowel sleeve 6x8x11.5	2
21	0025060556	HH collar screw M6x55 TX30	5
22	0025060656	HH COLLAR SCREW M6X65 TX30	4
23	0025060706	HH COLLAR SCREW M6X70 TX30	2
24	77730080000	LOCATING SCREW M8 L=25	1
25	58030081000	CU-SEAL RING 8 X 14 X 3	1
26	72130110000	Case bush right	1
27	72130010000	Case bush left	1
28	80030058040	Oil jet "40" M4	1
29	0402050080	CYLINDER ROLLER ZR0 5X8	2
99	79630099000	ENGINE GASKET KIT 250 EXC-F 17	1

49099 * NEW PART X ON DEMAND



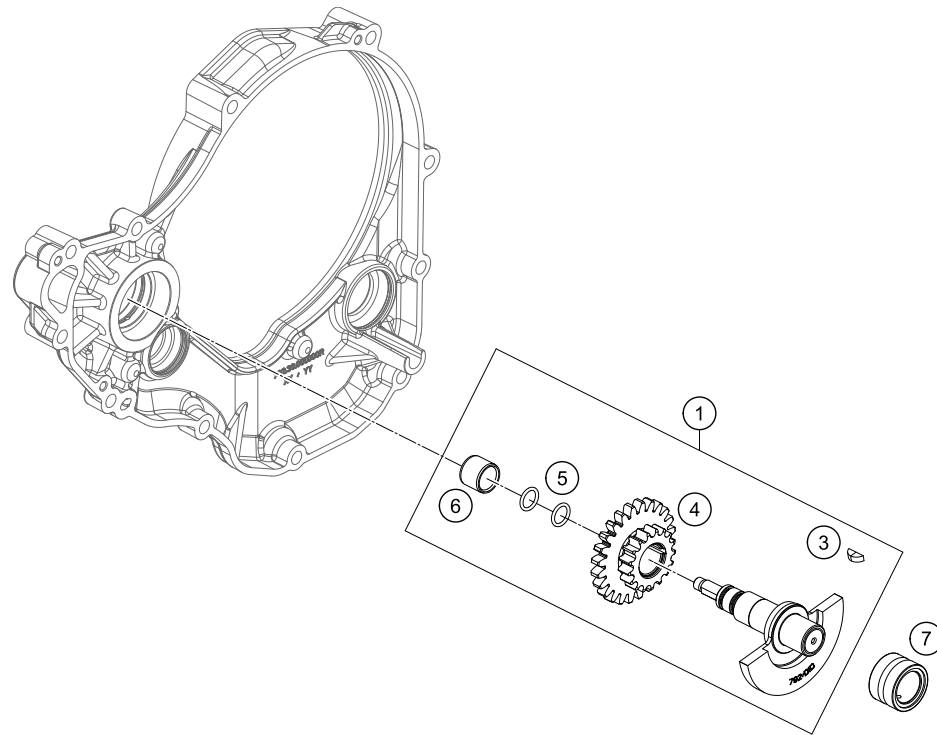
POS	PARTNUMBER	PARTNAME	PIECE
1	79230001044	CLUTCH COVER CPL.	1
5	0760142450	SHAFT SEAL RING 14X24X5 VITON	1
6	0472024120	CIRCLIP DIN0472-24X1.2	1
7	59030019200	OIL SIGHT GLASS	1
8	61030019050	CIRCLIP OIL LEVEL GLASS 03	1
9	0472300120	CIRCLIP 30X1,2	1
10	07601530451	SHAFT SEAL RING 15X30X4.5 BAUD	2
11	0625062022	BALL BEARING 6202 C0 2	1
12	7923012604415	OUTER CLUTCH COVER	1
13	79430020033	OIL FILLER CAP M24x3 WITH O-R	1
14	0770191015	O-RING 19,00X3,00 NBR	1
15	79230027000	CLUTCH COVER GASKET OUTSIDE	1
16	79230025000	CLUTCH COVER GASKET	1
20	0025060206	HH collar screw M6x20 TX30	2
21	0025060456	HH COLLAR SCREW M6X45 TX30	3
22	0025060256	HH collar screw M6x25 TX30	6
23	0603061001	CU-SEAL RING DIN7603-6X10X1	1

187213020

49113

* NEW PART

X ON DEMAND



POS	PARTNUMBER	PARTNAME	PIECE
1	79236072033	BALANCER SHAFT CPL.	1
3	0888030037	WOODRUFF KEY DIN6888-3X3,7	1
4	79236076000	TIMING VALVE TWIN WHEEL	1
5	07700900151	O-RING 9x1,5 V80 SH	2
6	77236072020	water pump wear bushing	1
7	77230058000	NEEDLE BEARING NK16/16	1

157903030

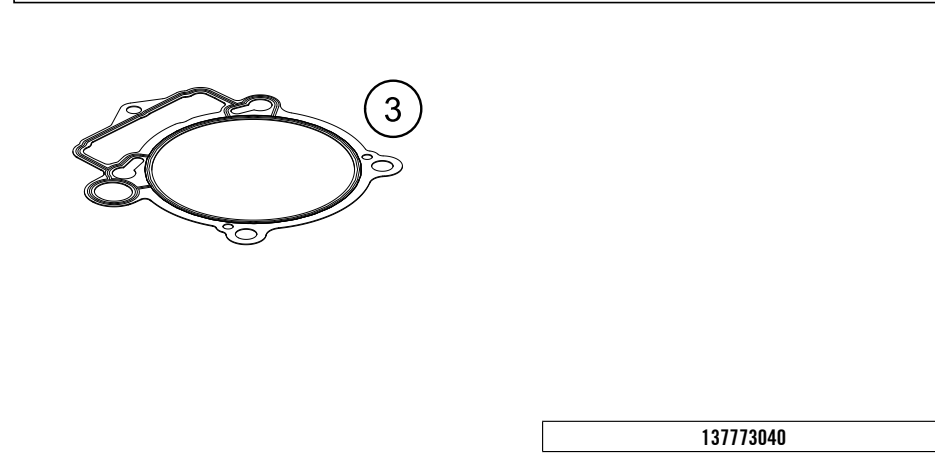
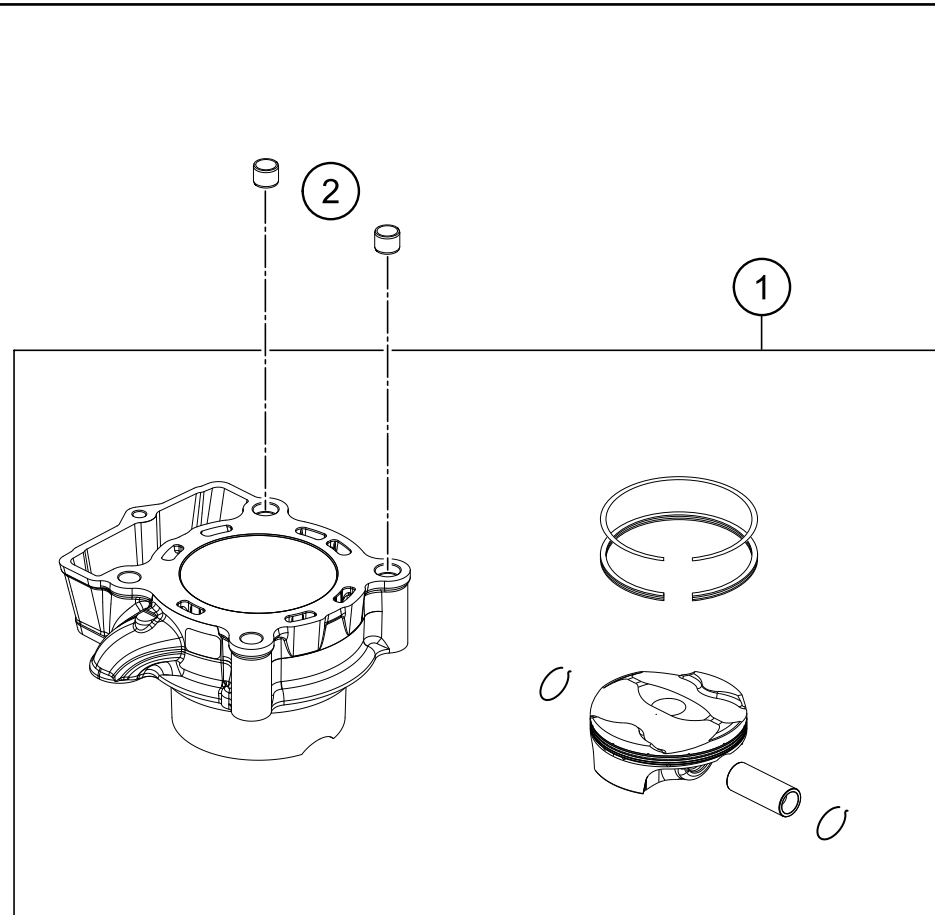
16574

* NEW PART

X ON DEMAND

CYLINDER

MOTOR 250 FREERIDE 2018



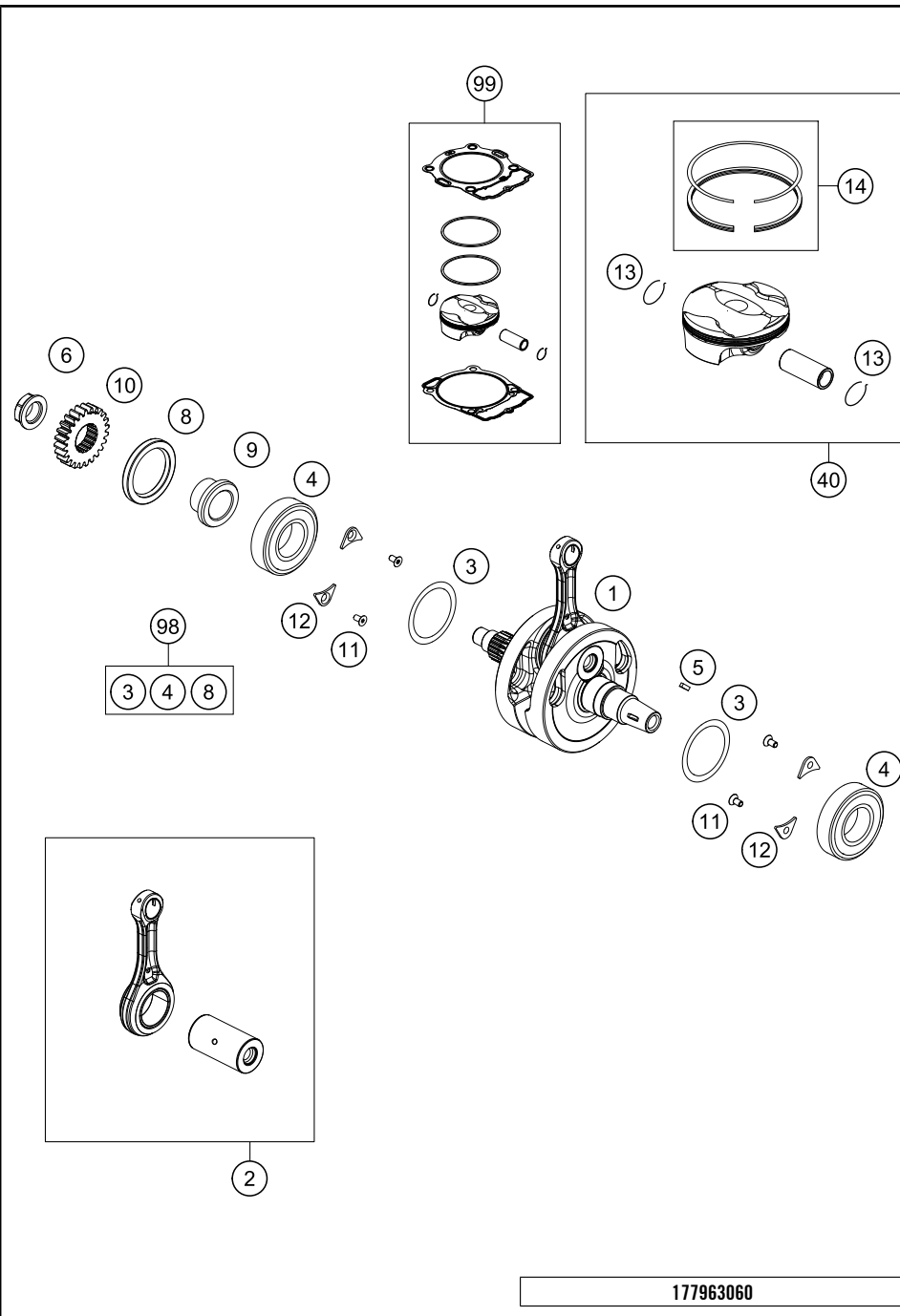
POS	PARTNUMBER	PARTNAME	PIECE
1	79030138000	CYLINDER + PISTON	1
2	58530014100	dowl sleeve 10.2x12.5x10	2
3	79230035000	CYLINDER BASE GASKET	1

137773040

13523

* NEW PART

X ON DEMAND



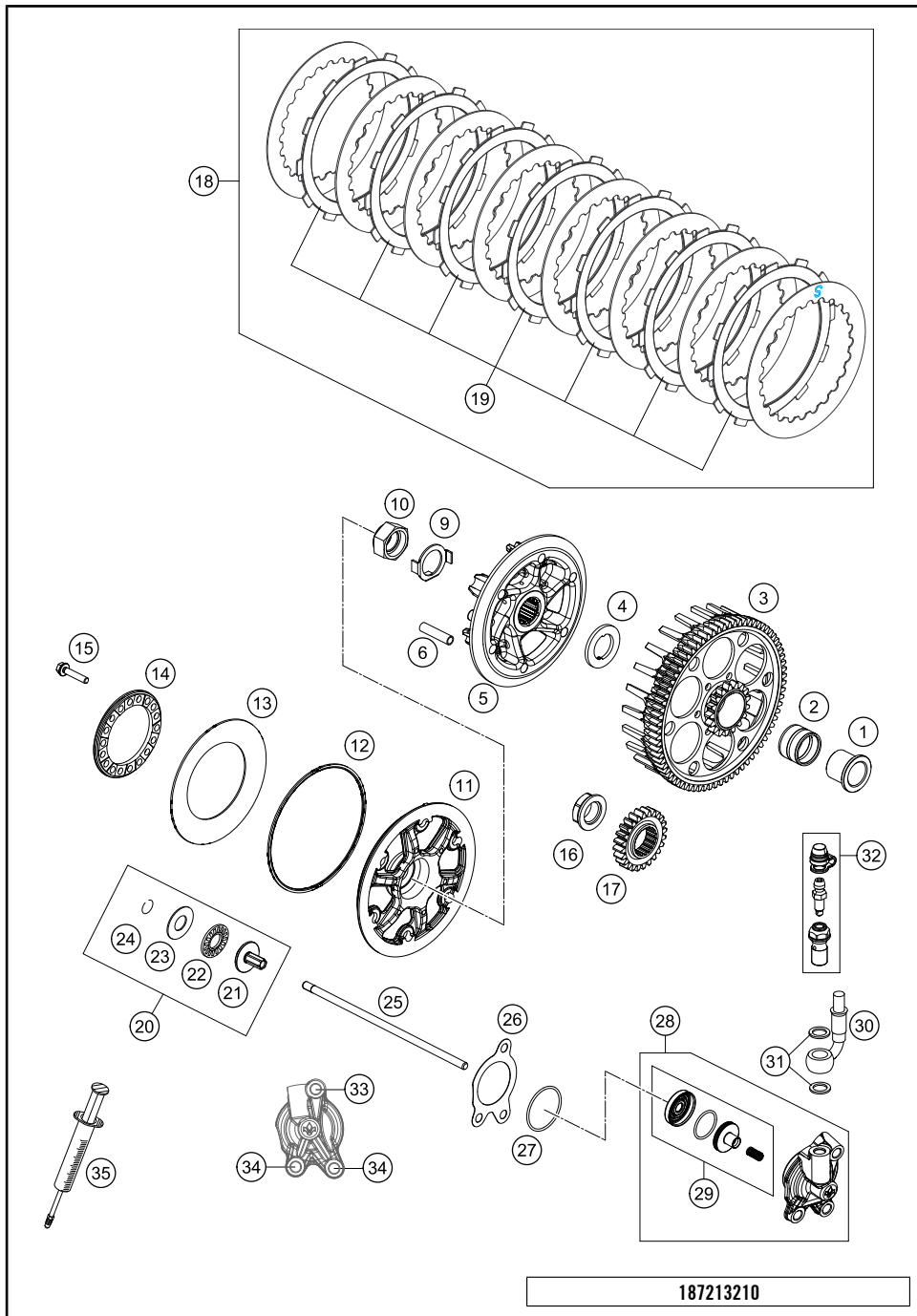
POS	PARTNUMBER	PARTNAME	PIECE
1	79030118100	CRANKSHAFT CPL.	1
2	79030115144	CONROD REPAIR KIT	1
3	0988324510	THRUST WASHER 988ST 32X0,1	x
3	0988324515	THRUST WASHER 988ST 32X0,15	x
3	0988324530	THRUST WASHER 988ST 32X0,30	x
4	77330082200	BEARING NJ 206 ECP/HN3C4HVA624	2
5	0888030037	WOODRUFF KEY DIN6888-3X3,7	1
6	77230029000	NUT PRIMARY WHEEL	1
8	0760405561	SHAFT SEAL RING A 40X55X6 V.	1
9	77232022000	SPACER BUSHING PRIMARY GEAR	1
10	79232023024	PRIMARY GEAR 24T.	1
11	0019050121S	INT. TORX FLAT HEAD M5X12 T25	4
12	75030085000	RETAINING PLATE F. CS BEARING	4
13	79030274000	CIRCLIP PISTON PIN	2
14	79030231044	PISTON RING SET	1
40	79030507000 I	PISTON I CPL. 250	x
40	79030507000 II	PISTON I CPL. 250	x
98	00050002316	CRANKSHAFT REP. KIT	x
99	00050000239	PISTON KIT I 250 4STR 2017	x
99	00050000240	PISTON KIT II 250 4STR 2017	x

177963060

18304

* NEW PART

X ON DEMAND



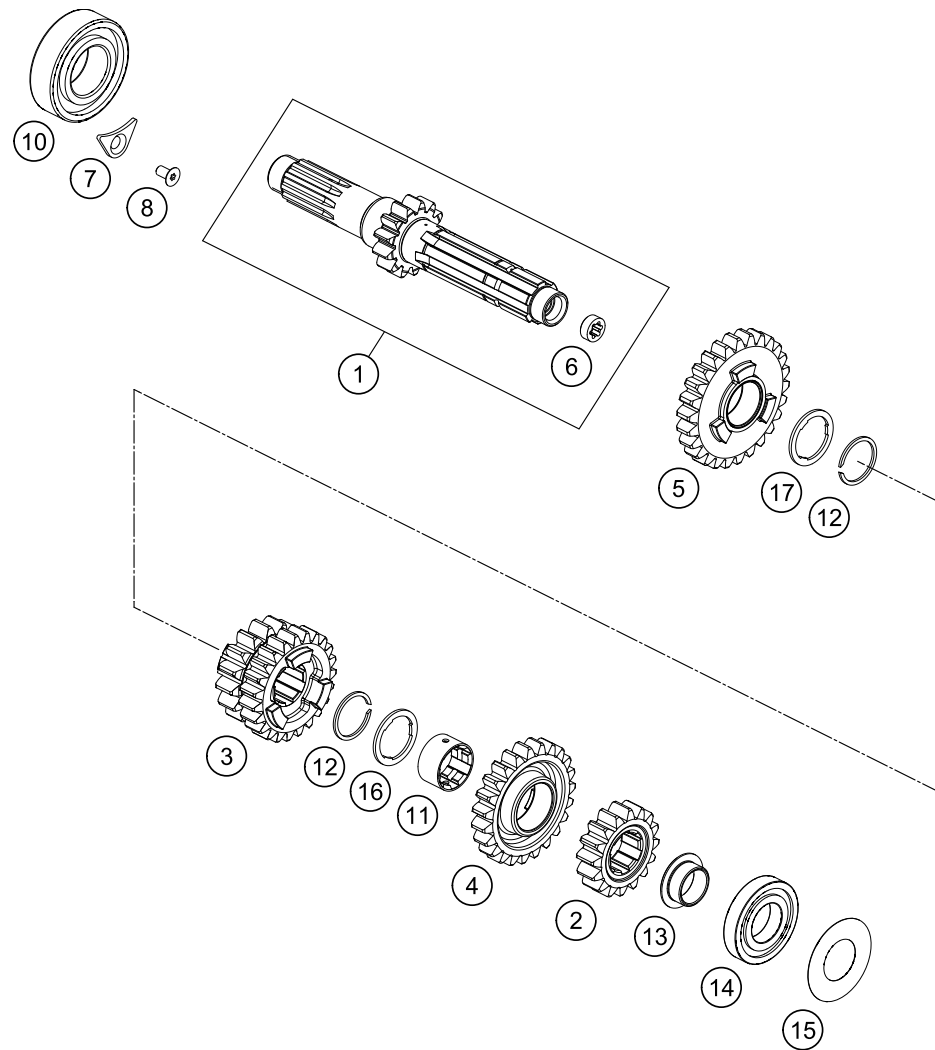
POS	PARTNUMBER	PARTNAME	PIECE
1	77232015000	INNER RING	1
2	56532095000	NEEDLE BEARING K26X30X22ZW.KSE	1
3	79232001073	CLUTCH CAGE SX	1
4	78932009000	WASHER 22 X 36,5 X 3	1
5	79332002000	Clutch hub	1
6	79232004000	SLEEVE 7.95X35	6
9	77232018000	SHEET METAL LOCK	1
10	77232019000	HEXAGON NUT M18X1,5	1
11	79332003000	Pressure plate	1
12	78132013000	WASHER 112X118X1.5	1
13	78132005000	BELLEVILLE SPRING 71X115X1,5 I	1
14	72032006000	SPRING RING	1
15	0025050256	HH COLLAR SCREW M5X25 ISA30	6
16	77230029000	NUT PRIMARY WHEEL	1
17	79232023024	PRIMARY GEAR 24T.	1
18	72132010033	Disk pack	1
19	77532011000	LINING DISC	7
20	78032057044	PRESSURE PIECE CPL. 08	1
21	78032057000	PRESSURE PIECE	1
22	54637097200	AXIAL NEEDLE BEARING AXK 1226	1
23	54637098200	AXIAL WASHER AS1226 12X26X1	1
24	0993012000	CIRCLIP DIN7993-RW12	1
25	79232054000	PUSH ROD	1
26	79232065000	GASKET FOR OUTPUT CYLINDER	1
27	0770300015	O-RING 30,00X1,50 NBR 70	1
28	72132061044	Output cylinder cpl.	1
29	47132066000	PISTON CPL.	1
30	72132063000	Clutch pipe	1
31	0603082121	SEAL RING CU DIN7603- 8X12X1	2
32	72032064000	BLEEDER SCREW CPL.	1
33	0025060356	HH collar screw M6x35 TX30	1
34	0025060166	HH collar screw M6x16 TX30	2
35	50329050000	VENT INJEKTION HYDR. CLUTCH	1

187213210

49108

* NEW PART

X ON DEMAND



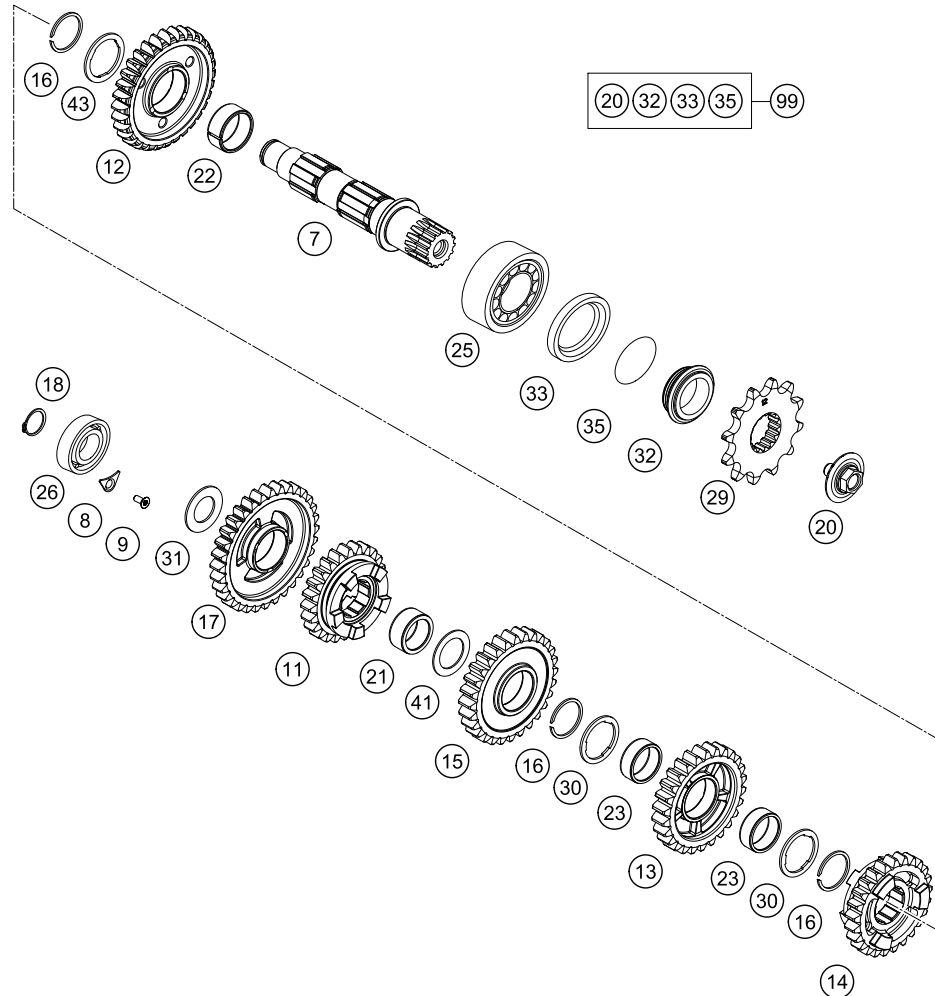
POS	PARTNUMBER	PARTNAME	PIECE
1	77733001100	Main shaft cpl. 13T	1
2	77733102100	Solid Gear 2th, Z=16	1
3	77733103100	Sliding Gear 3./4.G Z=16/23	1
4	77733105100	Idler gear 5th Z=23	1
5	72033006144	Sliding gear 6 th.	1
6	78033001110	BUSHING	1
7	75030085000	RETAINING PLATE F. CS BEARING	1
8	0019050121S	INT. TORX FLAT HEAD M5X12 T25	1
10	0625062056	Groove ball bearing 6205 C4 NTN	1
11	77733024000	IDLER GEAR BUSHING	1
12	50133090000	LOCK RING 22X1,2	2
13	77733027000	BUSHING	1
14	0625160041	BALL BEARING TM 16004 C4	1
15	77233088000	SPACER SHIM 21X42X0.2	1
16	77733021000	STOP DISC	1
17	77733022000	STOP DISC	1

147203330

49183

* NEW PART

X ON DEMAND



POS	PARTNUMBER	PARTNAME	PIECE
7	77733110100	Counter Shaft	1
8	75030085000	RETAINING PLATE F. CS BEARING	1
9	0019050121S	INT. TORX FLAT HEAD M5X12 T25	1
11	72033016100	Sliding gear 6th gear t=30	1
12	77733112100	Idler gear 2 nd.	1
13	77733114200	Idler gear 4. gear	1
14	77733115200	Sliding gear 5th gear T=23	1
15	77733113200	Idler gear 3.G, Z=24	1
16	0417024000	CIRCLIP WS24	3
17	77733011100	Idler Gear 1th; Z=32	1
18	0471170015	CIRCLIP DIN 0471-17X1, 5	1
20	59033034044	SCREW 10.9+SPRING WASHER	1
21	0405202612	NEEDLE BEARING K 20X26X12	1
22	0405242812	NEEDLE BEAR. K24X28X11,9 DIV.	1
23	0405222611	NEEDLE BEAR.K 22X26X10 DIVIDED	2
25	49030023000	cylindrical roller bearing NJ205	1
26	0625062035	BALL BEARING 6203 JR2 C3	1
29	50033029012	FRONT SPROCKET 12-T	x
30	77733043000	STOP DISC 23,4X31X1,5	2
31	77233020000	STOP DISK 17,2X30X1,3	1
32	78133014000	SPACER SLEEVE COUNTER	1
33	0760324571	SHAFT SEAL RING 32X45X7 BSLNBR	1
35	0770020220	O-RING 25,12X1,78 NBR70	1
41	54833080000	STOP DISC 20,2X30X1	1
43	77733044000	STOP DISC 24X32X1,5	1
99	00050000941	COUNTER SHAFT REP.KIT 4 STROKE	x

187213360

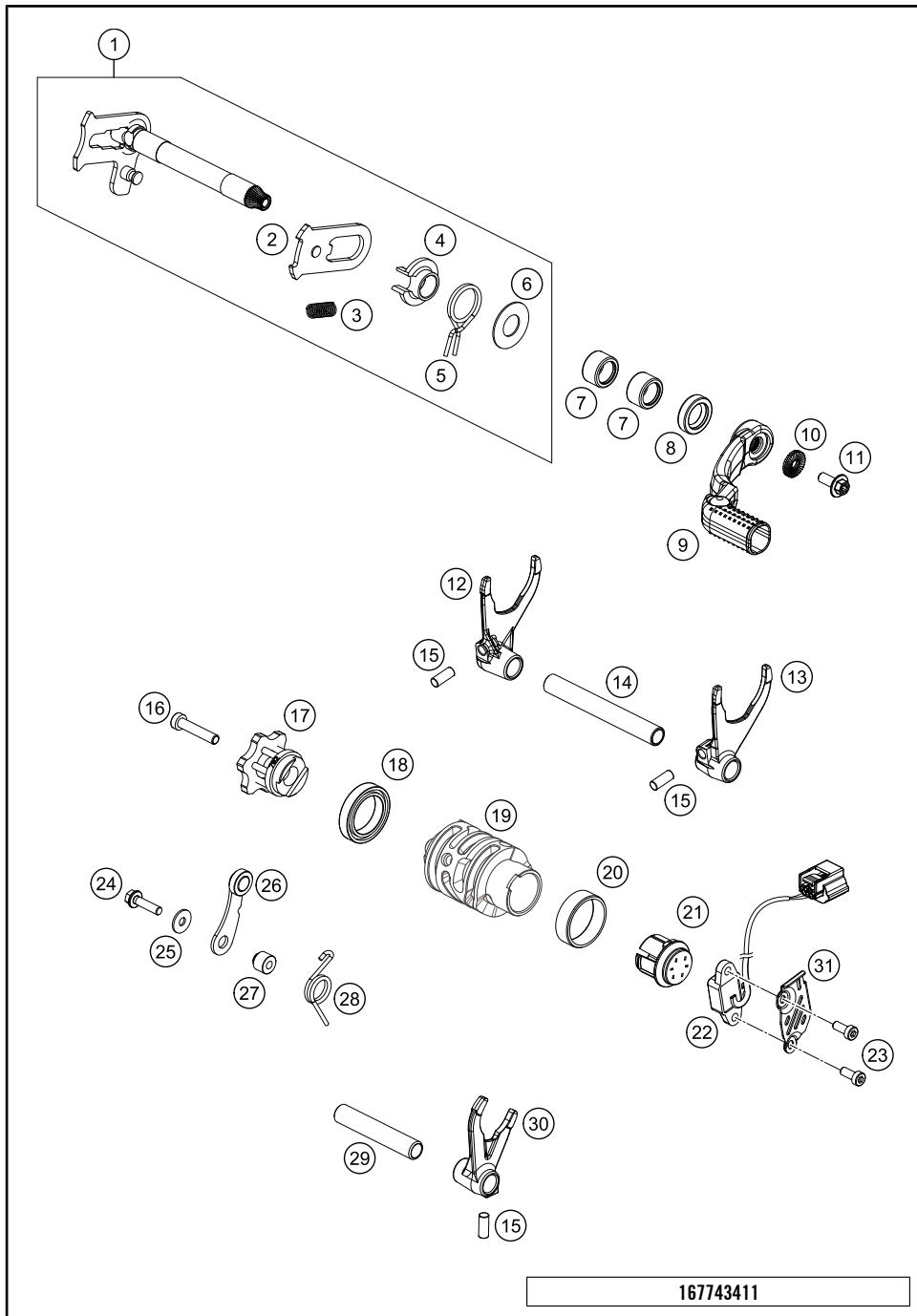
49132

* NEW PART

X ON DEMAND

SHIFTING MECHANISM

MOTOR 250 FREERIDE 2018



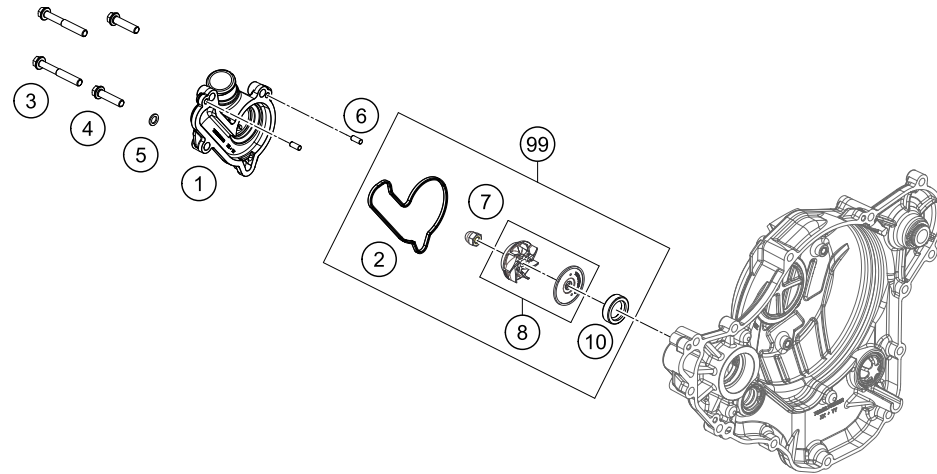
POS	PARTNUMBER	PARTNAME	PIECE
1	79234005133	SHIFT SHAFT CPL.	1
2	79234008144	SLIDING PLATE CPL.	1
3	56534013100	TENSIONING SPRING 0,8MM	1
4	54634020000	SPRING GUIDE	1
5	54834014000	RETURN SPRING 03	1
6	54634050000	STOP DISK 14X30X1	1
7	54632095000	needle sleeve HK 1412 14x20x12	2
8	0760142460	radial shaft seal 14x24x6 B	1
9	72134031000	Shift lever cpl.	1
10	50233041500	PAIR NORDLOCK WASHER M6	1
11	0024060156S	HH collar screw M6x15 TX30	1
12	79234103000	SHIFT FORK 1.-3. GEAR	1
13	79234102000	SHIFT FORK 2.-4. GEAR	1
14	77034019000	SHIFTING MAIN L=93MM 05	1
15	0402061480	NEEDLE ROLLER DIN5402 6X14,8	3
16	0984060302	AH SCREW DIN6912 M 6X30	1
17	79234015000	SHIFT DRUM LOCATING CPL.	1
18	0625618050	BALL BEARING 61805 C3	1
19	79234112000	SHIFT ROLLER	1
20	79234012010	FRICTION BEARING CONTROLLER	1
21	79234012020	magnet holder cpl.	1
22	79211023000	gear position sensor	1
23	0984050143S	CYL. SCREW DIN6912 M5X14 8.8	2
24	0025050206	HH collar screw M5x20 TX30	1
25	0021050003	washer DIN 9021 A - 5.3	1
26	79234024044	LOCKING LEVER CPL.	1
27	54634052300	SLEEVE FOR LOCKING LEVER	1
28	72134023000	Locking lever spring	1
29	54834019000	SHIFT. RAIL MAIN SHAFT 250/300	1
30	79034101000	SHIFT FORK 5.-6. GEAR	1
31	79211024000	GUARD PLATE MOTION SENSOR	1

167743411

49102

* NEW PART

X ON DEMAND



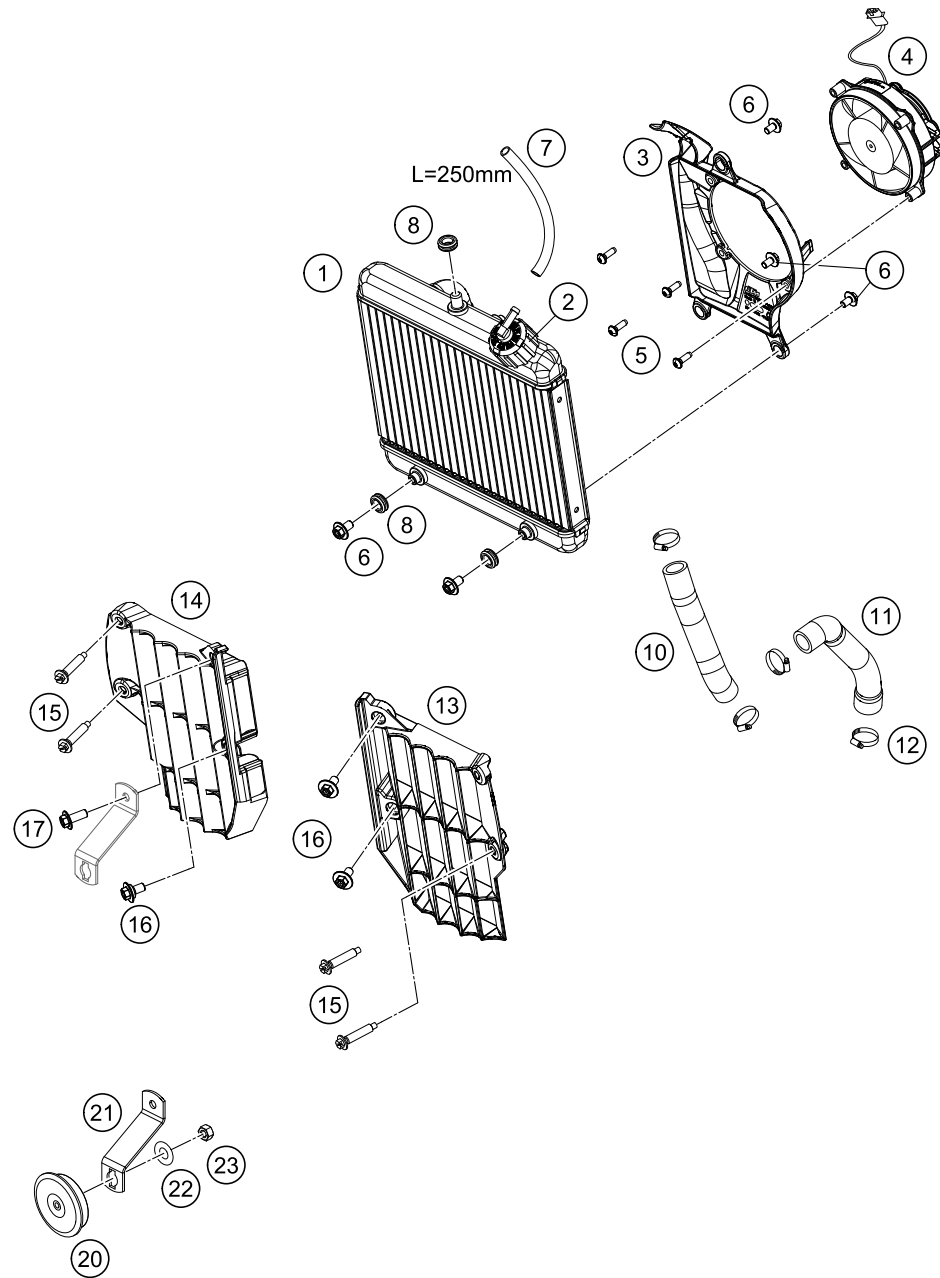
POS	PARTNUMBER	PARTNAME	PIECE
1	79235052000	WATER PUMP COVER	1
2	79235053000	GASKET F. WATER PUMP COVER	1
3	0025060456	HH COLLAR SCREW M6X45 TX30	2
4	0025060256	HH collar screw M6x25 TX30	2
5	0603061001	CU-SEAL RING DIN7603-6X10X1	1
6	0402040980	NEEDLE ROL.DIN5402 NRB 4X9,8	2
7	61230045000	CAP NUT M6 STAINLESS STEEL	1
8	79235055044	WATER PUMP WHEEL CPL.	1
10	07601530451	SHAFT SEAL RING 15X30X4.5 BAUD	1
99	79235055015	WATER PUMP REP. KIT	1

177963510

18320

* NEW PART

X ON DEMAND



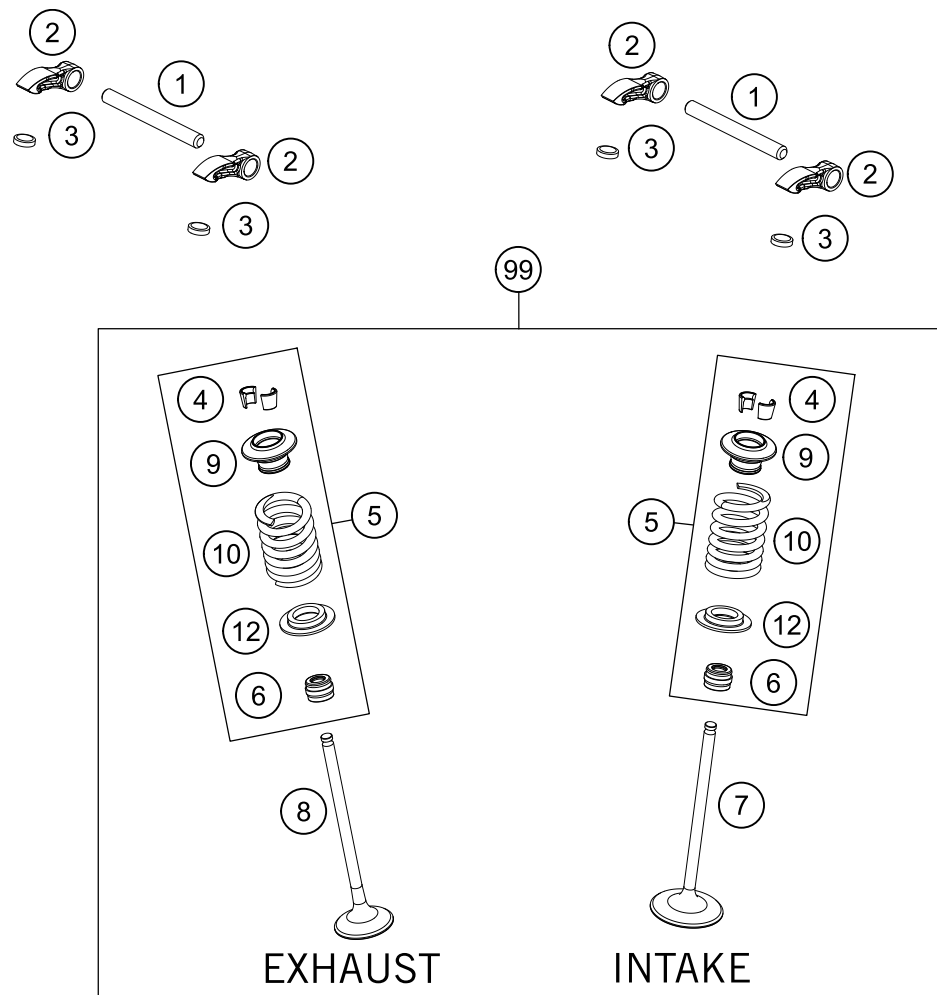
POS	PARTNUMBER	PARTNAME	PIECE
1	72135010000	Radiator 15710 UE	1
2	72035016000	RADIATOR CAP 1,8 BAR	1
3	72035044000	FAN COWL	1
4	58435041000	FAN CPL. 12V LC4 2000	1
5	0081050161	EJOT PT SCREW K50X16 1451	4
6	0024060106	HH COLLAR SCREW M6X10 TX30	5
7	50335030001	PVC-HOSE 6X9	1
8	58414019000	RUBBER GROMMET 11 X 19 X 9 '96	3
10	72135026000	Preformed hose cyl. - radiator	1
11	72135025000	Radiator hose right	1
12	10001020000	HOSE CLAMP GEMI 18-29	4
13	7203503400030	RADIATOR PROTECTOR L/S BLACK	1
14	7203503500030	RADIATOR PROTECTOR R/S BLACK	1
15	0017060305	SPECIAL SCREW K60X30 WS=6	4
16	83008000012	special screw M6x12x3	3
17	0024060156	HH collar screw M6x15 TX30	1
20	50311060200	DC HORN 12V 07	1
21	78011061000	HORN BRACKET EXC 08	1
22	0125050003	WASHER DIN0125-A 5,3	1
23	0934050003	HEXAGON NUT DIN0934-M 5	1

187213530

49149

* NEW PART

X ON DEMAND



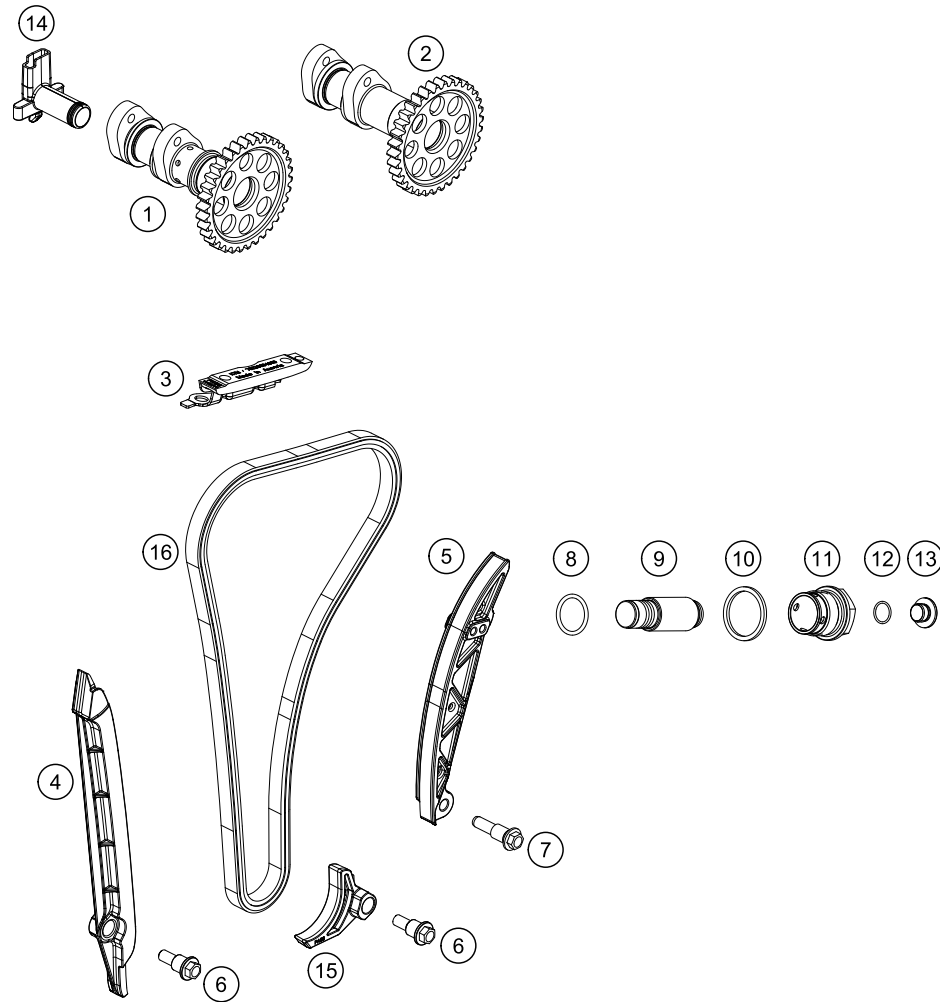
POS	PARTNUMBER	PARTNAME	PIECE
1	77236056000	VALVE LEVER SHAFT	2
2	77236060100	VALVE LEVER	4
3	77036035172	SHIM D=8,9/1,72	X
3	77036035176	SHIM D=8,9/1,76	X
3	77036035180	SHIM D=8,9/1,80	X
3	77036035184	SHIM D=8,9/1,84	X
3	77036035188	SHIM D=8,9/1,88	X
3	77036035192	SHIM D=8,9/1,92	X
3	77036035196	SHIM D=8,9/1,96	X
3	77036035200	SHIM D=8,9/2,00	X
3	77036035204	SHIM D=8,9/2,04	X
3	77036035208	SHIM D=8,9/2,08	X
3	77036035212	SHIM D=8,9/2,12	X
3	77036035216	SHIM D=8,9/2,16	X
3	77036035220	SHIM D=8,9/2,20	X
3	77036035224	SHIM D=8,9/2,24	X
3	77036035228	SHIM D=8,9/2,28	X
3	77036035232	SHIM D=8,9/2,32	X
3	77036035236	SHIM D=8,9/2,36	X
3	77036035240	SHIM D=8,9/2,40	X
3	77036035244	SHIM D=8,9/2,44	X
3	77036035248	SHIM D=8,9/2,48	X
3	77036035252	SHIM D=8,9/2,52	X
3	77036035256	SHIM D=8,9/2,56	X
3	77036035260	SHIM D=8,9/2,60	X
4	77036033000	valve collet	8
5	79036028044	VALVE SPRING KIT EXHAUST	2
6	77036027000	VALVE-STEM SEALING 05	4
7	72136030000	Intake valve	2
8	72136031000	Exhaust valve	2
9	79036132000	VALVE SPRING PLATE	4
10	77736028000	VALVE SPRING NHK HUB 10MM	4
12	77736136000	VALVE SPRING HOLDER	4
99	72136030010	Valve kit 250 Freeride F	1

177963610

49109

* NEW PART

X ON DEMAND



POS	PARTNUMBER	PARTNAME	PIECE
1	79036109000	CAMSHAFT INTAKE	1
2	79036110000	CAMSHAFT EXHAUST	1
3	79236004000	TIMING CHAIN GUIDE TOP	1
4	79236001000	GUIDE RAIL	1
5	79236002000	TENSIONING RAIL	1
6	77236001160	BUSHING SCREW M6	2
7	77236002160	BUSHING SCREW M8	1
8	0770180020	o-ring 18.00x2.00 NBR70	1
9	77036003000	CHAIN ADJUSTER HYD. 05	1
10	0603242920	CU SEAL-RING DIN7603 A24X29X2	1
11	77336008000	HOLDING BOLT M24X1,5	1
12	0770010010	o-ring 10.00x1.00 NBR70	1
13	77236080100	threaded plug	1
14	77236081000	ANGLE PIECE F. BREATHER SYSTEM	1
15	77236005000	SECURING PROTECTION	1
16	79236013100	TIMING CHAIN	1

157903620

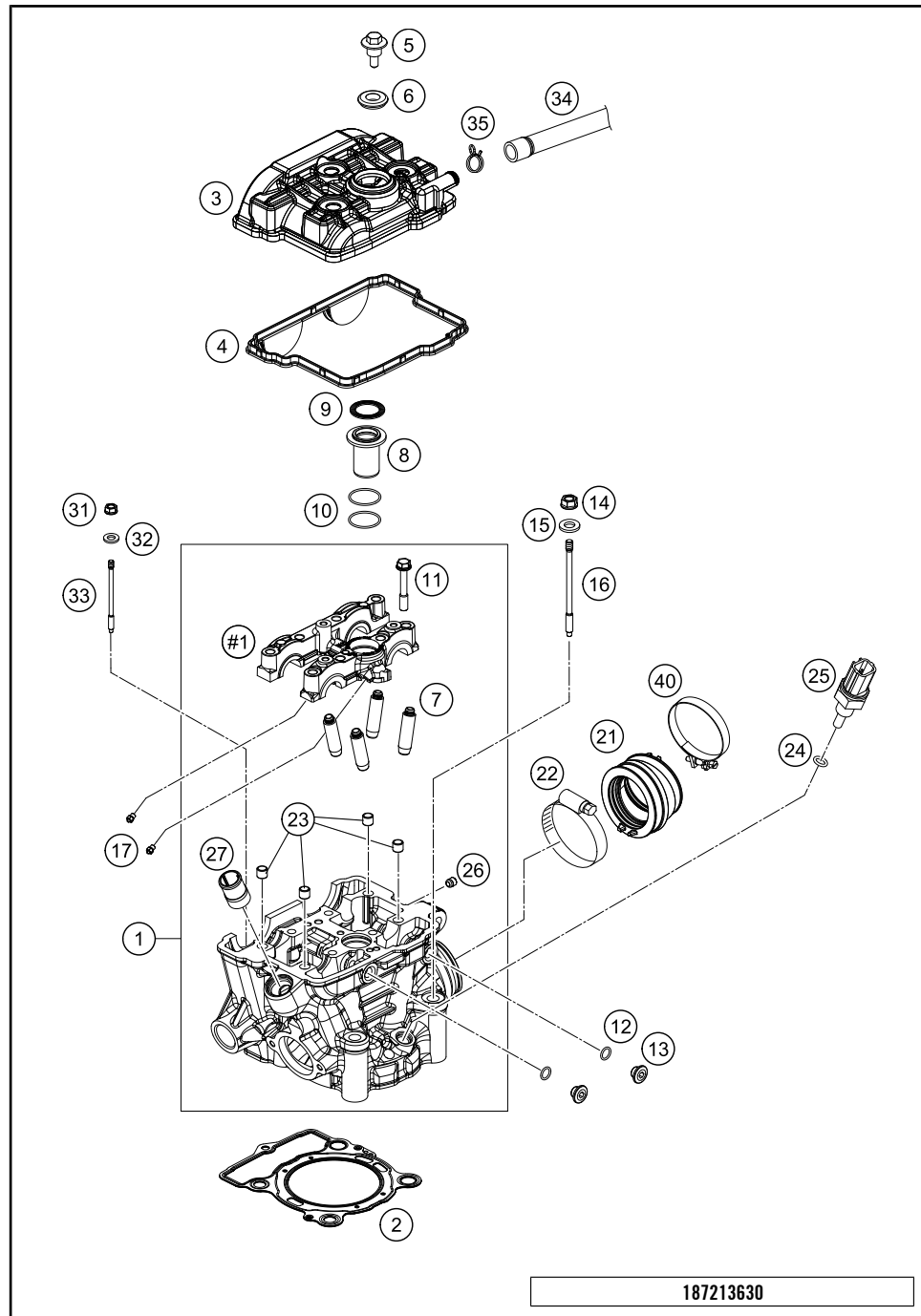
16615

* NEW PART

X ON DEMAND

CYLINDER HEAD

MOTOR 250 FREERIDE 2018



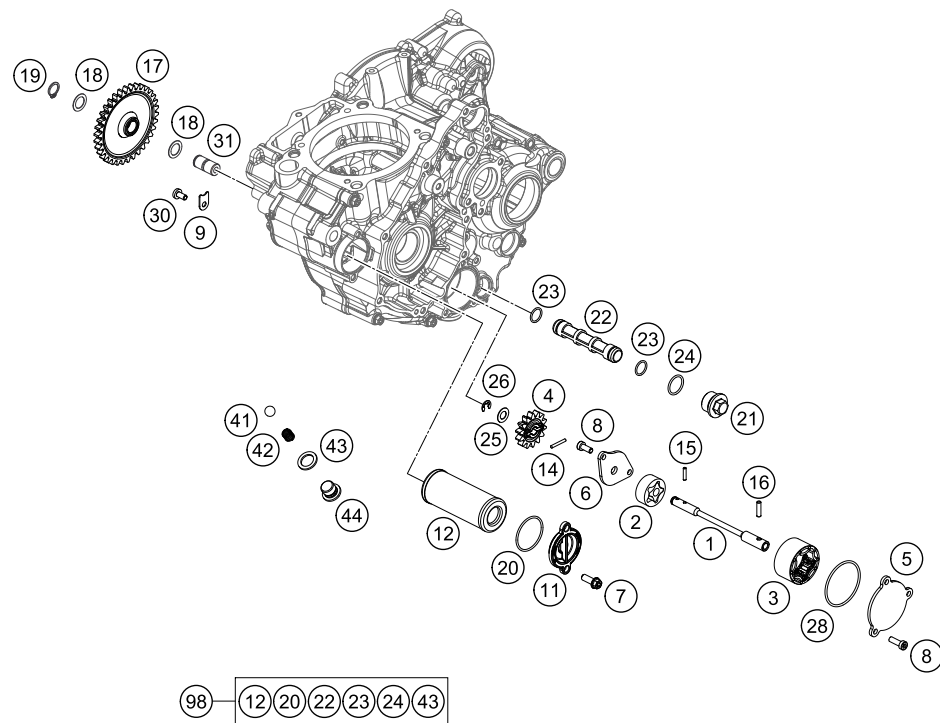
POS	PARTNUMBER	PARTNAME	PIECE
1	79036120044	CYLINDER HEAD CPL.	1
2	79030036086	CYLINDER HEAD GASKET	1
3	7773605200033	VALVE COVER	1
4	77736053000	VALVE COVER GASKET	1
5	77336054150	VALVE COVER SCREW	3
6	77036054150	RUBBER GASKET FOR SCREW	3
7	77136026001	VALVE GUIDE OUTLET	4
8	77736075000	INSERT SPARK-PLUG SHAFT	1
9	77336053050	GASKET SPARK-PLUG SHAFT	1
10	0770260015	O-RING 1,5x26	2
11	77330067142	HH COLLAR SCREW M7X1X42	8
12	07700900151	O-RING 9x1,5 V80 SH	2
13	77236080100	threaded plug	2
14	77336088210	COLLAR NUT M10X1,25 SW13	4
15	77336089010	washer 19x10.5x2.5	4
16	79230044000	STUD BOLT M10X1,25	4
17	60030063050	oil jet 50 M5	4
21	72136044000	Rubber cup	1
22	61036047000	HOSE CLAMP GEMI 63MM 05	1
23	77036090000	DOWEL(BUSH BRIDGE)7/9/8 05	4
24	0770100020	o-ring 10.00x2.00 silicone	1
25	79435047000	water temperature sensor	1
26	59030296000	SCREW PLUG	1
27	58030010200	SCREW IN NOZZLE M20X1,5	1
31	77336088106	COLLAR NUT M6X1 SW8	1
32	0125060003	WASHER DIN0125-A 6,4	1
33	79230043000	STUD BOLT M6	1
34	72030087000	ENGINE BREATHER HOSE	1
35	58431082300	CLAMP YDNAC 10173 (18MM)	1
40	77236048000	HOSE CLAMP GEMI 58MM	1

187213630

49114

* NEW PART

X ON DEMAND



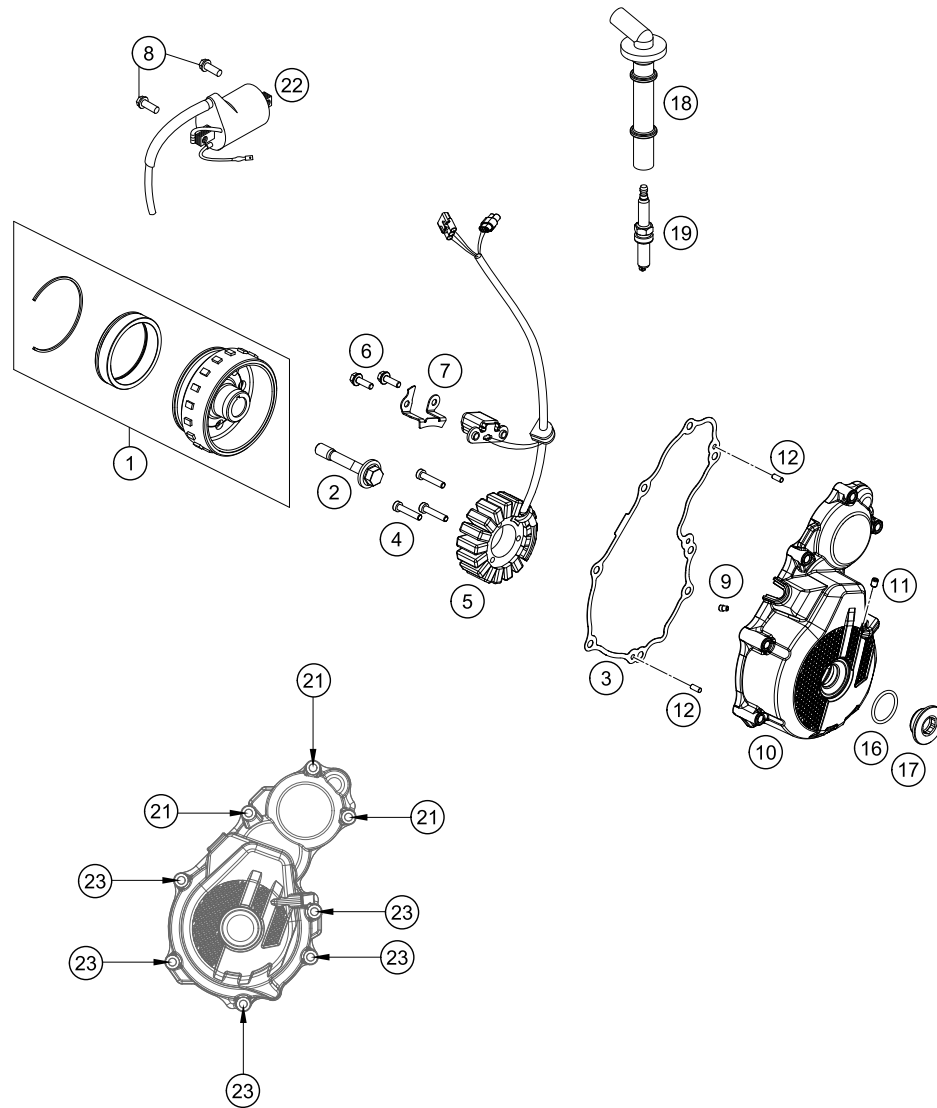
POS	PARTNUMBER	PARTNAME	PIECE
1	79238002000	OIL PUMP SHAFT	1
2	59038011112	OILPUMP ROTOR-SET 12MM CPL.	1
3	61238011100	ROTOR SET 22MM	1
4	77038001100	OIL PUMP GEAR 14T 08	1
5	79238004000	OIL PUMP COVER LEFT	1
6	79238003000	OIL PUMP COVER RIGHT	1
7	0025060166	HH collar screw M6x16 TX30	2
8	0984050143S	CYL. SCREW DIN6912 M5X14 8.8	5
9	77238061050	AXIAL-CIRCLIP	1
11	77338041200	OIL FILTER COVER 08	1
12	77338005100	OIL FILTER	1
14	0402251980	NEEDLEROL.DIN5402 NRA 2,5X19,8	1
15	0402251180	NEEDLE ROLLER DIN5402 2,5X11,8	1
16	0402041580	needle roller NRB 4x15.8 G2	1
17	79238006000	OILPUMP IDLER GEAR	1
18	0988121805	SHIM WASHER DIN0988-12X18X0,50	2
19	0471120010	retaining ring DIN 471 12x1	1
20	07703305178	O-RING 33,05X1,78	1
21	59038017100	PLUG M20X1,5 WS=13	1
22	59038016100	OIL SCREEN	1
23	07701250151	O-RING 12,5X1,5 VITON V75	2
24	0770020170	O-RING 17,17X1,78 GLO	1
25	58038007755	STOP DISK 8,1 X 15 X 0,5	1
26	0799060000	TAB WASHER DIN6799-RS 6,0	1
28	0770440020	O-RING 44,00X2,00 VITON	1
30	0018050103	INT. TORX OVAL HEAD M 5X10 8.8	1
31	77038013100	BUSHING PIN	1
41	0401090003	BALL DIN5401-9	1
42	58038023300	PRESSURE SPRING L=25MM D=1MM	1
43	58038022000	CU-SEAL RING DIN7603-12X18X1,5	1
44	78036024000	PLUG SCREW SAS M12X1,5	1
98	00050000083	OILFILTER-GASKET SET 350 SX-F	x

177963811

49103

* NEW PART

X ON DEMAND



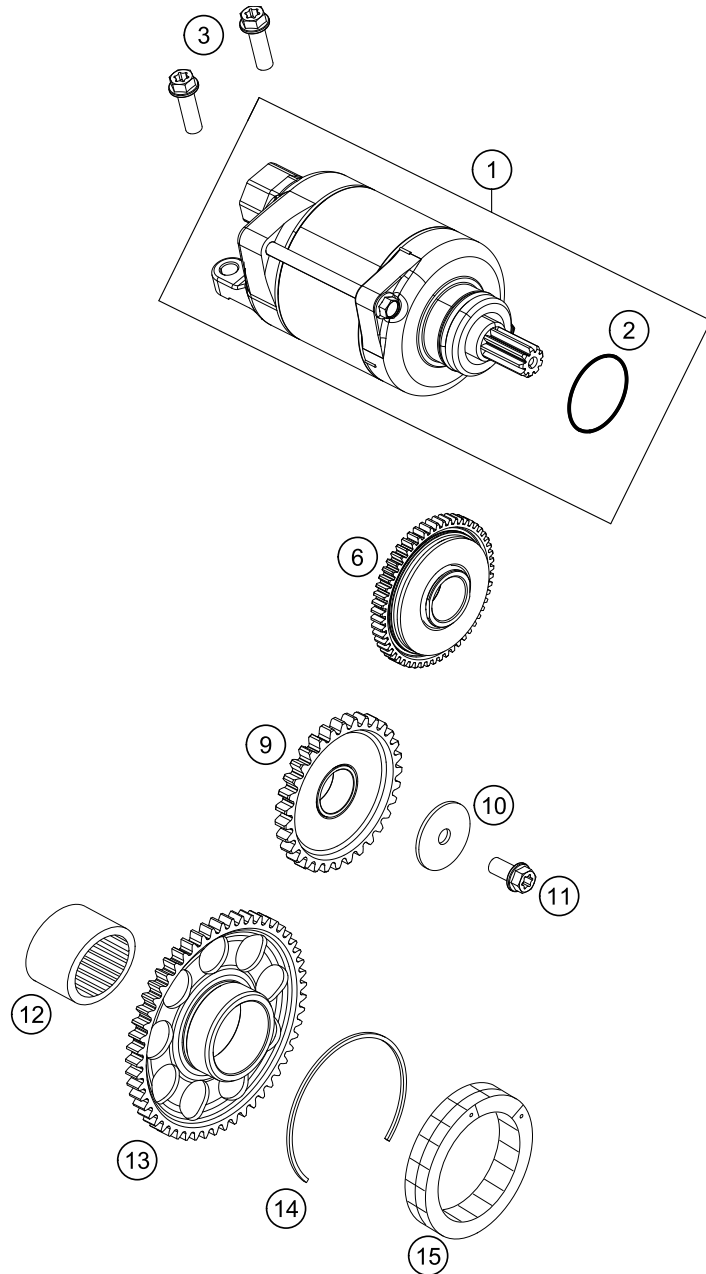
POS	PARTNUMBER	PARTNAME	PIECE
1	79239105044	ROTOR EFI CPL.	1
2	77339010100	FLYWHEEL SCREW	1
3	79230040000	IGNITION COVER GASKET	1
4	0912050303	AH SCREW DIN0912-M 5X30	3
5	79239104000	STATOR	1
6	0025050166	HH collar screw M5x16 TX30	2
7	79230102050	CABLE BRACKET	1
8	0026060186	COLLAR SCREW M6X18 ISA30	2
9	80030058060	OIL JET "60" M4	1
10	7923010200015	IGNITION COVER EXC	1
11	0913050063S	THREAD PIN DIN 913 M5X6	1
12	0402040980	NEEDLE ROL.DIN5402 NRB 4X9,8	2
16	07700240251	o-ring 24.00x2.50 Viton	1
17	7723000216030	SCREW PLUG M24X1,5	1
18	77739090000	SPARK PLUG CONNECTOR	1
19	77839093000	spark plug NGK LMAR9AI-10	1
21	0025060306	HH collar screw M6x30 TX30	3
22	58439006000	IGNITIONCOIL IG3826 KOKUSAN'96	1
23	0025060406	HH collar screw M6x40 TX30	5

177963910

18338

* NEW PART

X ON DEMAND



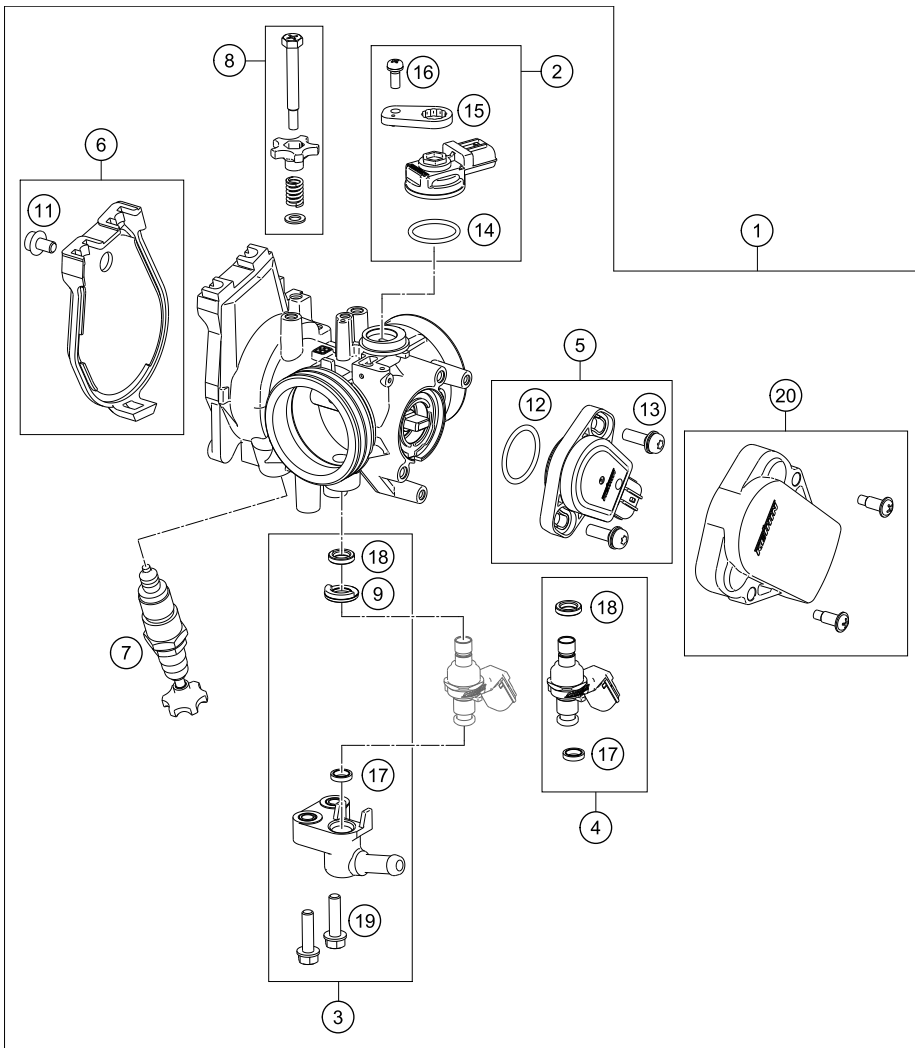
POS	PARTNUMBER	PARTNAME	PIECE
1	79240001000	E-STARTER ENGINE CPL.	1
2	0770250030	O-RING 25,00X3,00 NBR 70	1
3	0025060256	HH collar screw M6x25 TX30	2
6	79240016000	TORQUE LIMITER	1
9	79240022000	INTERMEDIATE STARTING GEAR	1
10	79240017000	STOP DISC 6X26X1,5	1
11	0025060126	HH collar screw M6x12 TX30	1
12	0618253216	NEEDLE BUSH HK2516 25/32/16 02	1
13	79240020000	FREE WHEEL GEAR	1
14	0472057150	CIRCLIP DIN0472-57X1,50	1
15	79240026000	FREEWHEEL	1

157904010

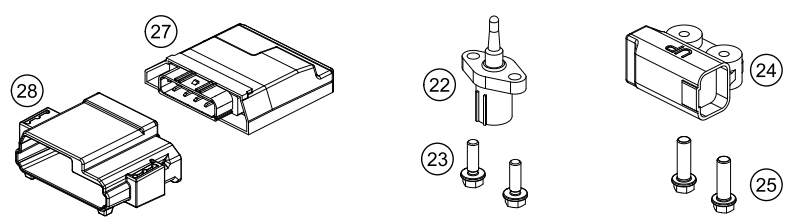
16634

* NEW PART

X ON DEMAND



POS	PARTNUMBER	PARTNAME	PIECE
1	79441101000	THROTTLE BODY	1
2	77741085044	MAP SENSOR CPL.	1
3	79041013044	FUEL PIPE CPL.	1
4	79441023044	INJECTOR CPL.	1
5	79041077044	TPS CPL.	1
6	79041056044	THROTTLE COVER CPL.	1
7	79041070000	STARTER VALVE CPL.	1
8	77741060044	IDLING ADJUSTING SCREW CPL.	1
9	79041023030	SEAL RING	1
11	79041056020	SPECIAL SCREW	1
12	75041077110	O-RING	1
13	61041077020	SCREW THROTTLE POS. SENSOR	2
14	75041085010	O-RING	1
15	77741085020	PLATE	1
16	81241085030	SPECIAL SCREW	1
17	60341023020	O-RING	1
18	75041023010	SEAL RING	1
19	79041013060	SPECIAL SCREW M5X20	2
20	79041078044	TPS COVER CPL.	1
22	61041080000	AMBIENT-AIR TEMPERATURE SENSOR	1
23	0025050166	HH collar screw M5x16 TX30	2
24	61041088000	ROLLOVER SENSOR 05	1
25	0025060206	HH collar screw M6x20 TX30	2
27	79641031000	ENGINE CONTROL UNIT EFI	1
28	77741031050	RUBBER BRACKET ECU	1



187214110

49148

* NEW PART X ON DEMAND

WWW.KTM.COM



KTM Sportmotorcycle GmbH
5230 Mattighofen, Austria
www.ktm.com



KTM_POWERPARTS

KTM_POWERWEAR

KTM_ORIGINAL SPARE PARTS



089310REN

Art. Nr.: 089310REN 28. Aug. 2017