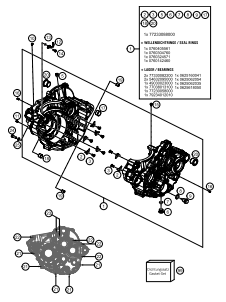
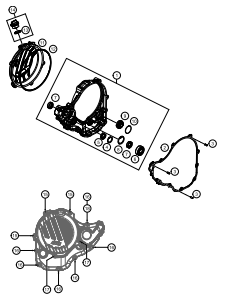
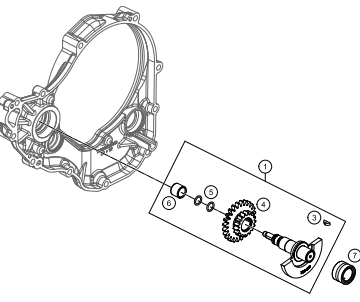
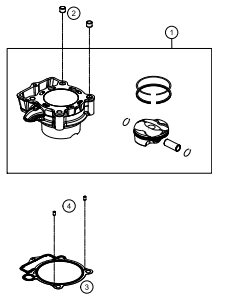
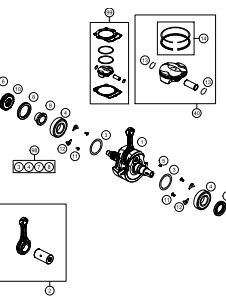
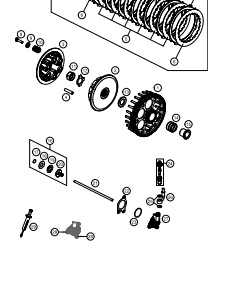
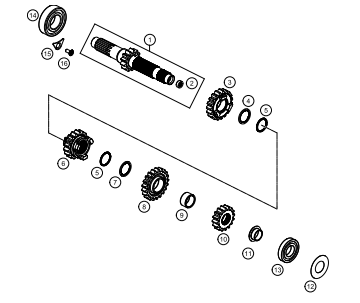
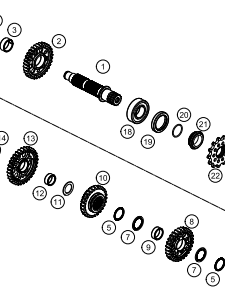
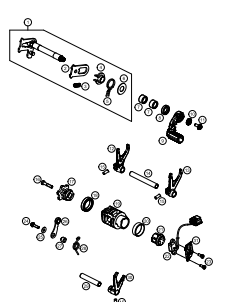
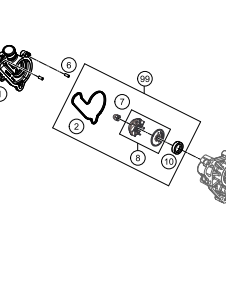
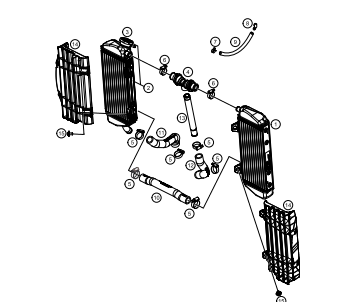
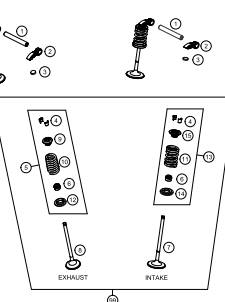
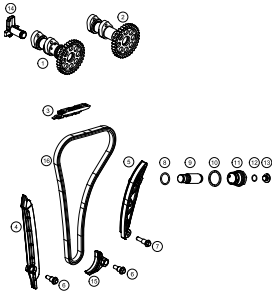
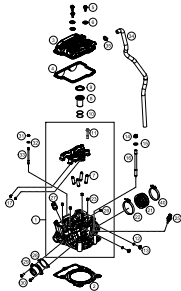
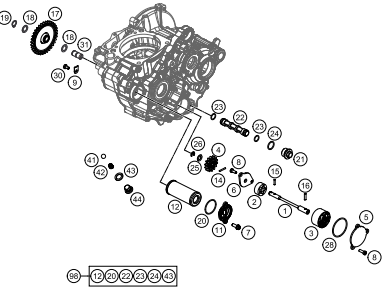
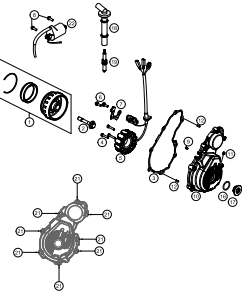
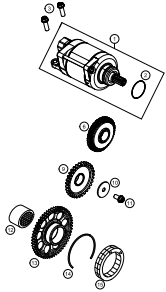
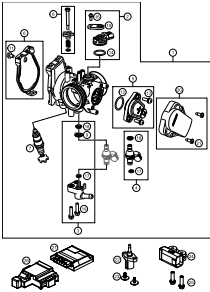



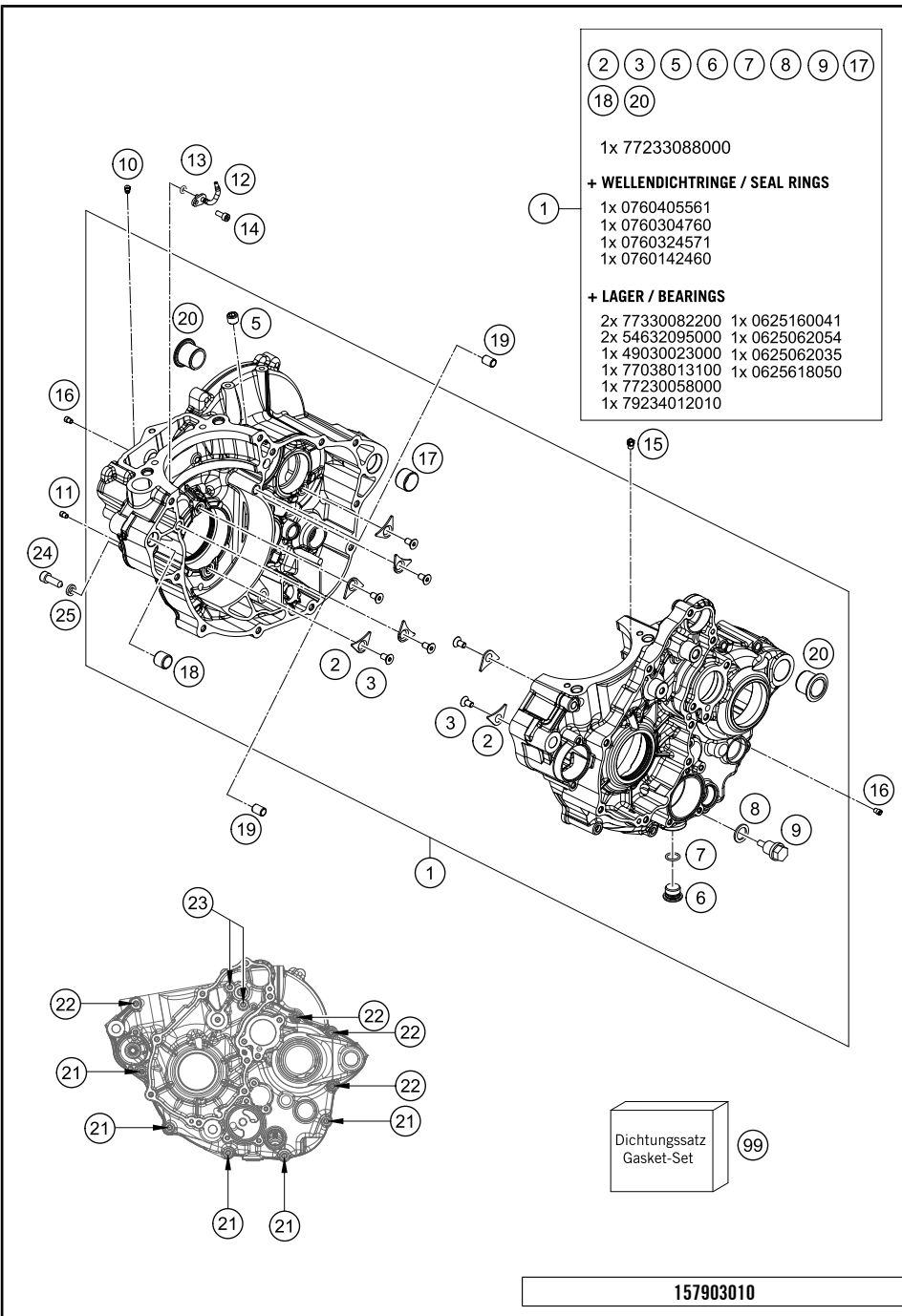
250 SX-F 2016

ART.-NR.: 3CM089330PEN



<p>ENGINE CASE</p>  <p>3</p>	<p>CLUTCH COVER</p>  <p>4</p>	<p>BALANCER SHAFT</p>  <p>5</p>	<p>CYLINDER</p>  <p>6</p>
<p>CRANKSHAFT, PISTON</p>  <p>7</p>	<p>8</p> 	<p>TRANSMISSION I - MAIN SHAFT</p>  <p>9</p>	<p>TRANSMISSION II - COUNTERSHAFT</p>  <p>10</p>
<p>SHIFTING MECHANISM</p>  <p>11</p>	<p>WATER PUMP</p>  <p>12</p>	<p>COOLING SYSTEM</p>  <p>13</p>	<p>VALVE DRIVE</p>  <p>14</p>

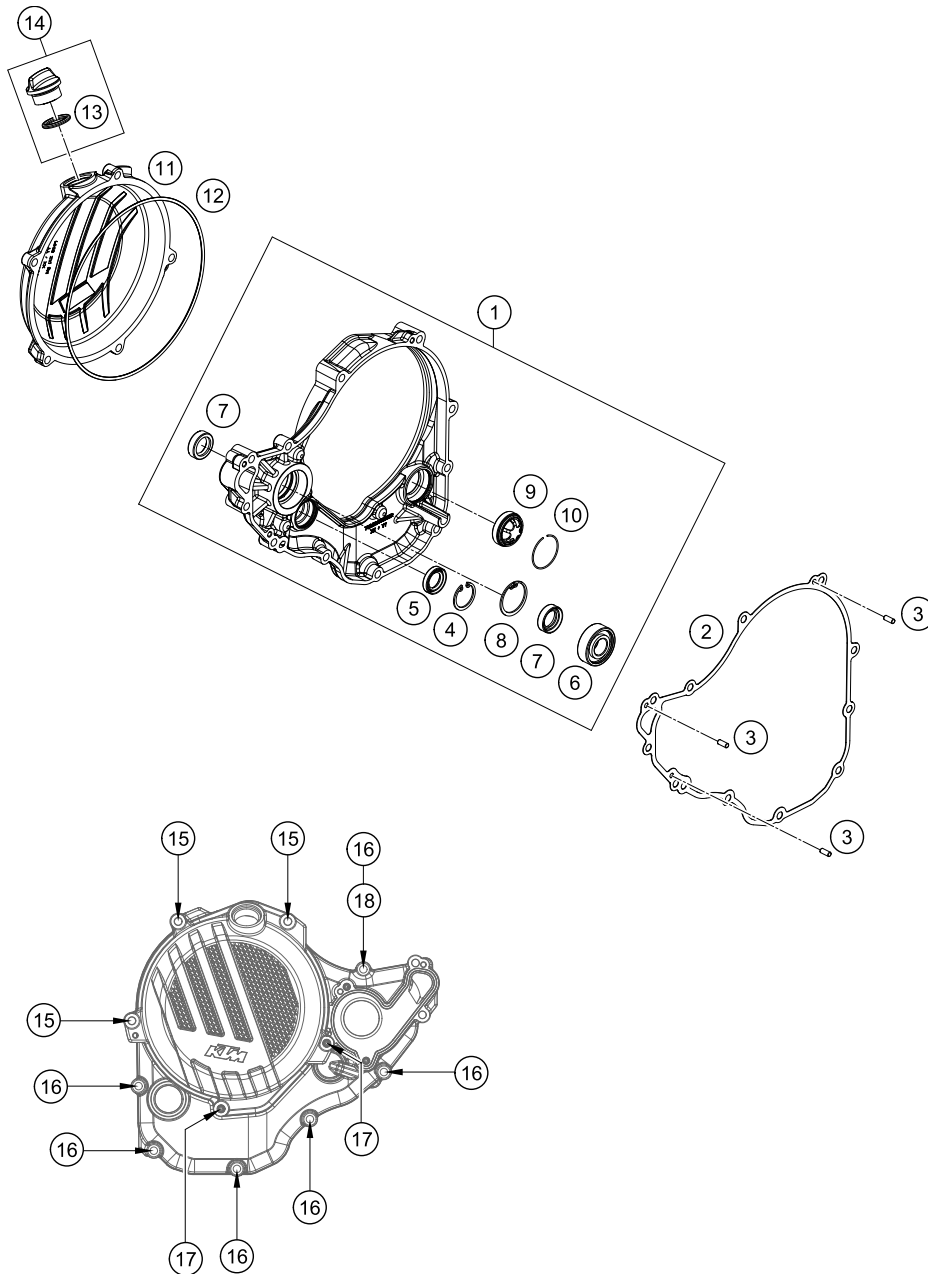
<p>TIMING DRIVE</p>  <p style="text-align: right;">15</p>	<p>CYLINDER HEAD</p>  <p style="text-align: right;">16</p>	<p>LUBRICATING SYSTEM</p>  <p style="text-align: right;">17</p>	<p>IGNITION SYSTEM</p>  <p style="text-align: right;">18</p>
<p>ELECTRIC STARTER</p>  <p style="text-align: right;">19</p>	<p>THROTTLE BODY</p>  <p style="text-align: right;">20</p>		
		<div style="display: flex; align-items: center;">  <p> All information contained is without obligation. KTM Sportmotorcycle GmbH particularly reserves the right to modify any equipment, technical specifications, prices, colors, shapes, materials, services, service work, constructions, equipment and the like so as to adapt them to local conditions or to cancel any of the above items, all without previous announcement and without giving reasons. KTM may stop manufacturing certain models without previous notice. KTM shall not be held liable for any deviations of availability and/or ability to deliver, illustrations, descriptions, printing and/or other errors. The illustrated models partly contain extra equipment, which is not applied to standard models. © by KTM Sportmotorcycle GmbH, Mattighofen AUSTRIA; All rights reserved; Reprint, also in extracts, with written allowance of KTM Sportmotorcycle GmbH, Mattighofen only. </p> </div>	



POS	PARTNUMBER	PARTNAME	PIECE
1*	79230000033	ENGINE CASE CPL.	1
2	75030085000	RETAINING PLATE F. CS BEARING	7
3	0019050121S	INT. TORX FLAT HEAD M5X12 T25	7
5	0906100100	PLUG DIN0906-M10X1	1
6	78036081000	HOLDING BOLT M14X1,5	1
7	0770110015	O-RING 1,5x11 SILICON	1
8	58038022000	CU-SEAL RING DIN7603-12X18X1,5	1
9	58030021000	OILDRAIN PLUG W.MAG. M 12X1,5	1
10	80030058060	OIL JET "60" M4	1
11	77030058150	JET 44-031/150	1
12	81230164050	OIL JET ANGLED 50	1
13	0770035020	O-RING 3,5X2,00 NBR	1
14	0912040103	AH.SCREW DIN0912-M 4X10	1
15	60030063050	OIL JET 50 05	1
16	59030058000	JET 100 BING(44-031/180) M4	2
17	59030024000	DOWEL 17 X 19 X 12	1
18	54630027000	DOWEL BUSHING 13,8X11X12	1
19	59030023000	DOWEL 6X8X11,5	2
20*	79230010000	CASE BUSH	2
21	0025060556	HH COLLAR SCREW M6X55 TX30	5
22	0025060656	HH COLLAR SCREW M6X65 TX30	4
23*	0025060706	HH COLLAR SCREW M6X70 TX30	2
24	77730080000	LOCATING SCREW M8 L=25	1
25	58030081000	CU-SEAL RING 8 X 14 X 3	1
99	79230099000	GASKET KIT ENGINE 250 SX-F	1

C167903010

* NEW PART X ON DEMAND



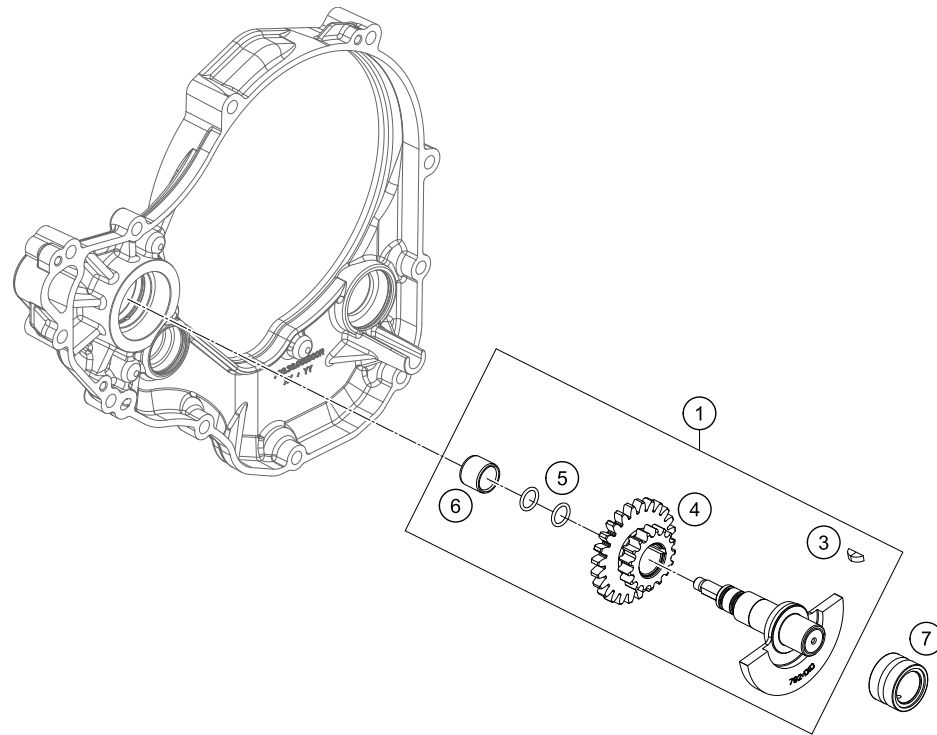
POS	PARTNUMBER	PARTNAME	PIECE
1*	79230001044	CLUTCH COVER CPL.	1
2*	79230025000	CLUTCH COVER GASKET	1
3	0402040980	NEEDLE ROL.DIN5402 NRB 4X9,8	3
4	0472024120	CIRCLIP DIN0472-24X1.2	1
5	0760142450	SHAFT SEAL RING 14X24X5 VITON	1
6	0625062022	BALL BEARING 6202 C0 2	1
7	07601530451	SHAFT SEAL RING 15X30X4.5 BAUD	2
8	0472300120	CIRCLIP 30X1,2	1
9*	59030019200	OIL SIGHT GLASS	1
10	61030019050	CIRCLIP OIL LEVEL GLASS 03	1
11*	7923002600015	CLUTCH OUTSIDE COVER	1
12*	79230027000	CLUTCH COVER GASKET OUTSIDE	1
13	0770191015	O-RING 19,00X3,00 NBR	1
14	79430020033	OIL FILLER CAP M24x3 WITH O-R	1
15	0025060456	HH COLLAR SCREW M6X45 TX30	3
16	0025060256	HH COLLAR SCREW M6X25 TX30	6
17	0025060206	HH COLLAR SCREW M6X20 TX30	2
18*	0603061001	CU-SEAL RING DIN7603-6X10X1	1

157903020

C167903020

* NEW PART

X ON DEMAND



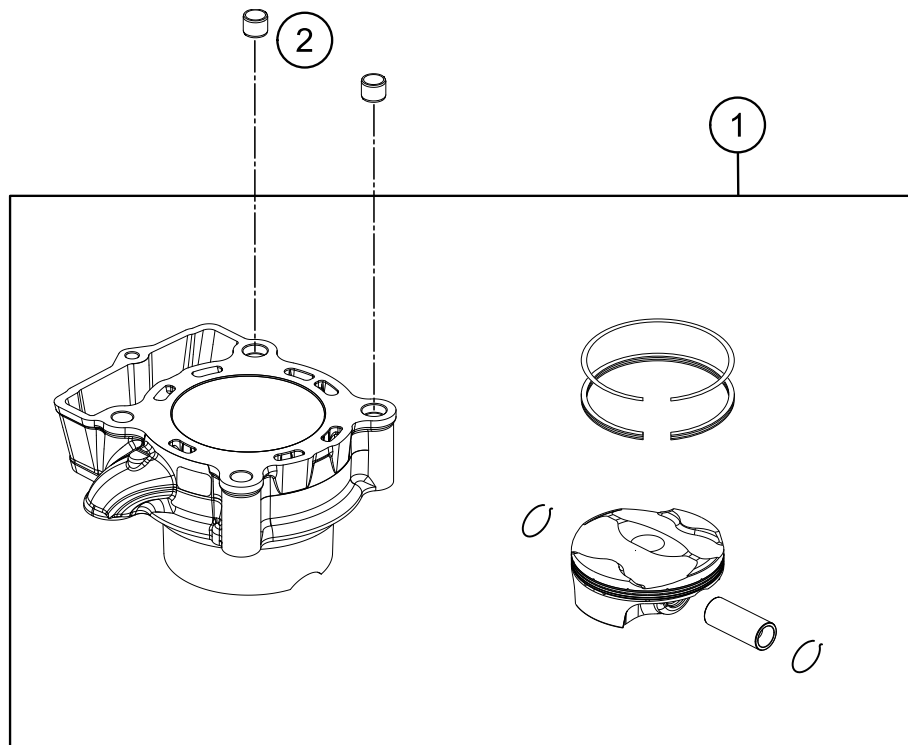
POS	PARTNUMBER	PARTNAME	PIECE
1*	79236072033	BALANCER SHAFT CPL.	1
3	0888030037	WOODRUFF KEY DIN6888-3X3,7	1
4*	79236076000	TIMING VALVE TWIN WHEEL	1
5	07700900151	O-RING 9x1,5 V80 SH	2
6	77236072020	WEAR BUSHING WAPU	1
7	77230058000	NEEDLE BEARING NK16/16	1

157903030

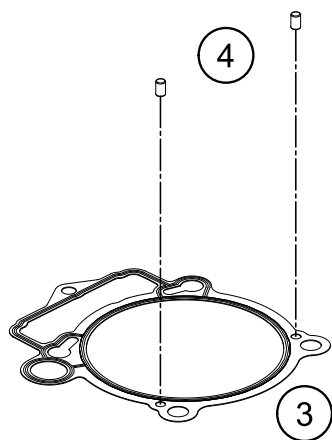
C167903030

* NEW PART

X ON DEMAND



POS	PARTNUMBER	PARTNAME	PIECE
1*	79030038000	CYLINDER AND PISTON	1
2	58530014100	DOWEL BUSHING 10,2X12,5X10	2
3*	79230035000	CYLINDER BASE GASKET	1
4	0402050080	CYLINDER ROLLER ZRO 5X8	2

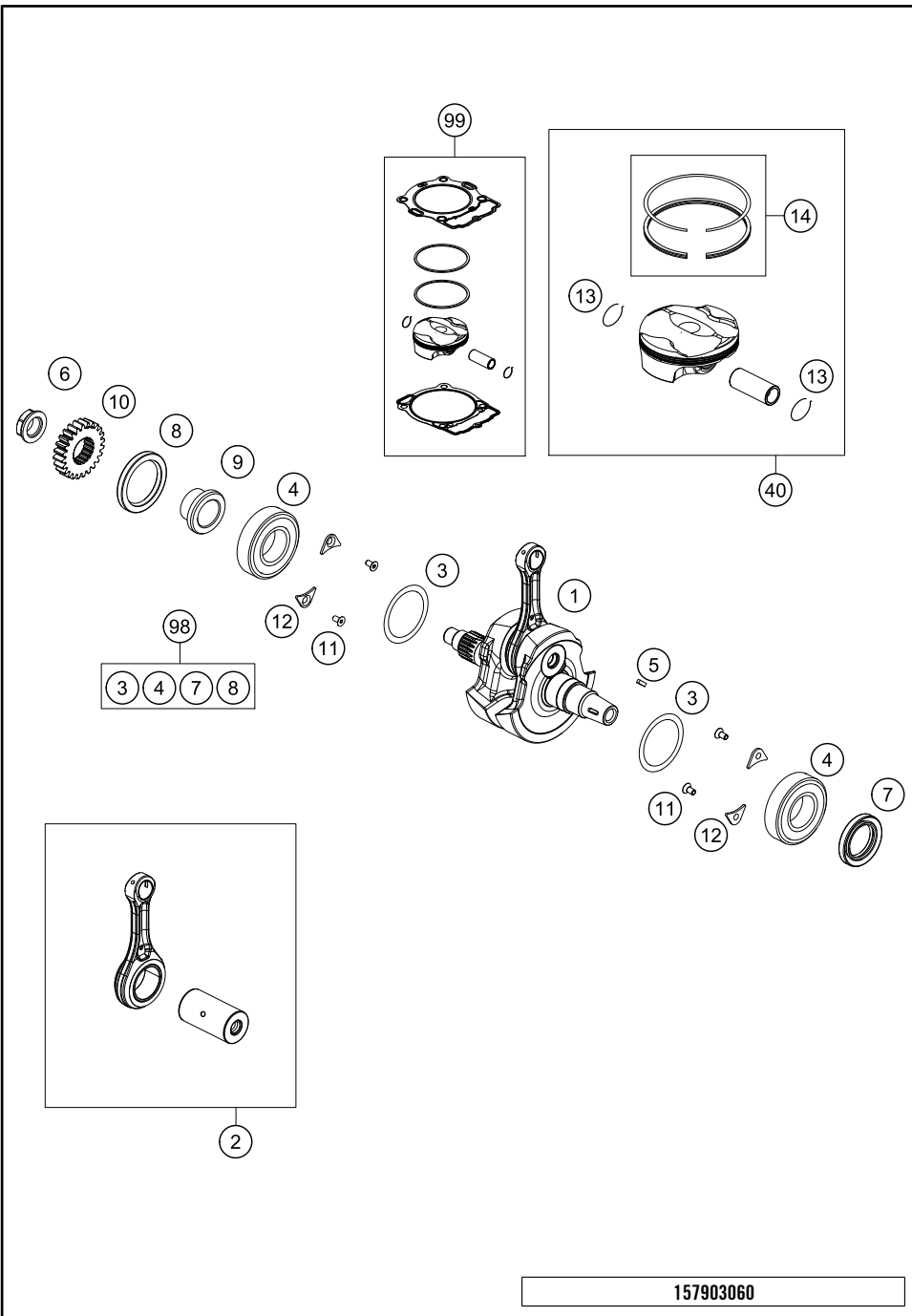


157903040

C167903040

* NEW PART

X ON DEMAND

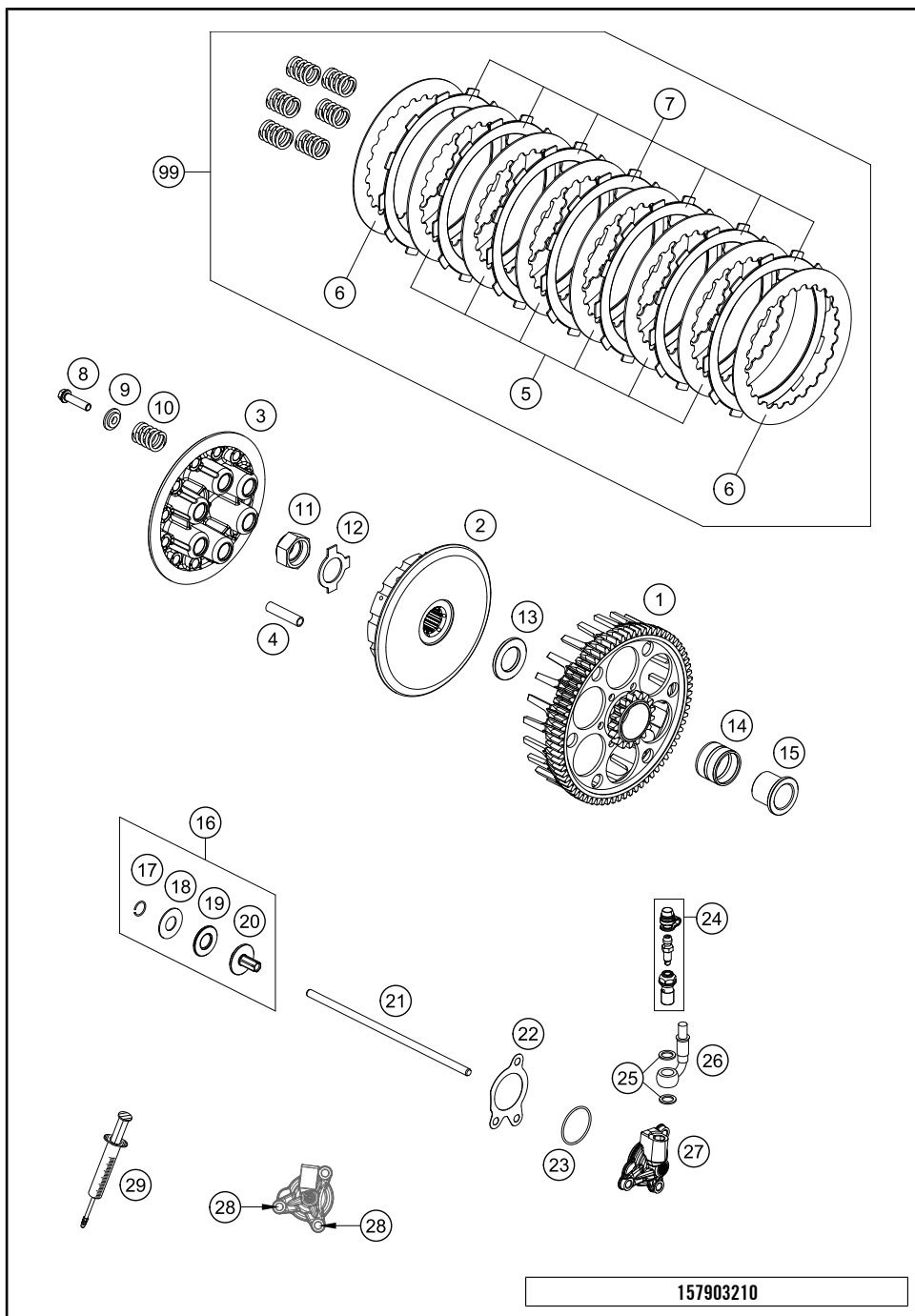


POS	PARTNUMBER	PARTNAME	PIECE
1*	79030018000	CRANKSHAFT CPL	1
2*	79030015044	CONNECTING ROD REPAIR SET	1
3	0988324510	THRUST WASHER 988ST 32X0,1	X
3	0988324515	THRUST WASHER 988ST 32X0,15	X
3	0988324530	THRUST WASHER 988ST 32X0,30	X
4	77330082200	BEARING NJ 206 ECP/HN3C4HVA624	2
5	0888030037	WOODRUFF KEY DIN6888-3X3,7	1
6	77230029000	NUT PRIMARY WHEEL	1
7*	0760304760	SHAFT SEAL RING A30X47X6 VITON	1
8*	0760405561	SHAFT SEAL RING A 40X55X6 V.	1
9	77232022000	SPACER BUSHING PRIMARY GEAR	1
10	79232023024	PRIMARY GEAR 24T.	1
11*	0019050121S	INT. TORX FLAT HEAD M5X12 T25	4
12	75030085000	RETAINING PLATE F. CS BEARING	4
13*	79030274000	CIRCLIP PISTON PIN	2
14*	79030231044	PISTON RING SET	1
40*	79030207000 I	PISTON I CPL. 250	X
40*	79030207000 II	PISTON II CPL. 250	X
98	00050002316	CRANKSHAFT REP. KIT	X
99	00050000229	PISTON KIT I	X
99	00050000230	PISTON KIT II	X

157903060

C167903060

* NEW PART X ON DEMAND

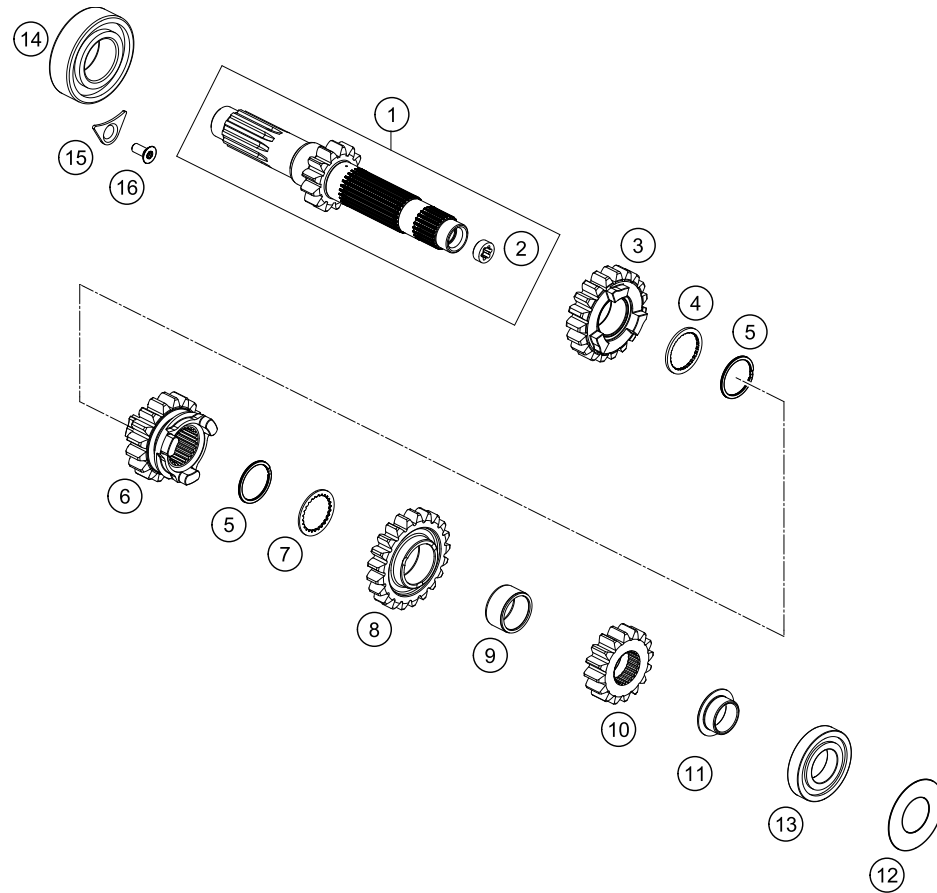


POS	PARTNUMBER	PARTNAME	PIECE
1*	79232001073	CLUTCH CAGE SX	1
2*	79232002000	CLUTCH HUB	1
3*	79232003000	PRESSURE CAP	1
4*	79232004000	SLEEVE 7.95X35	12
5	59032010200	INTERMEDIATE DISC 1,4MM 2002	6
6	59032010100	INTERMEDIATE DISC 1MM 2002	2
7	59032011100	LINING DISC 2MM 04	7
8	0025060256	HH COLLAR SCREW M6X25 TX30	6
9	59032006000	SPRING RETAINER 6,2X12X18X3,6	6
10	52332005200		6
11	77232019000	HEXAGON NUT M18X1,5	1
12	77232018000	SHEET METAL LOCK	1
13	77232009100	WASHER 21,8 X 37 X 3	1
14	56532095000	NEEDLE BEARING K26X30X22ZW.KSE	1
15	77232015000	INNER RING	1
16	78032057044	PRESSURE PIECE CPL. 08	1
17	0993012000	CIRCLIP DIN7993-RW12	1
18	54637098200	AXIAL WASHER AS1226 12X26X1	1
19	54637097200	AXIAL NEEDLE BEARING AXK 1226	1
20	78032057000	PRESSURE PIECE	1
21*	79232054000	PUSH ROD	1
22*	79232065000	GASKET FOR OUTPUT CYLINDER	1
23	0770300015	O-RING 30,00X1,50 NBR 70	1
24*	79032064000	BLEEDER SCREW CPL.	1
25*	0603080161	COPPERT GASKET 8x16x1	2
26*	79232063000	CLUTCH PIPE	1
27*	79232061044	OUTPUT CYLINDER CPL.	1
28	0025060166	HH COLLAR SCREW M6X16 TX30	2
29	50329050000	VENT INJEKTION HYDR. CLUTCH	1
99	79032010010	CLUTCH KIT 250 SX-F	1

157903210

C167903212

* NEW PART X ON DEMAND



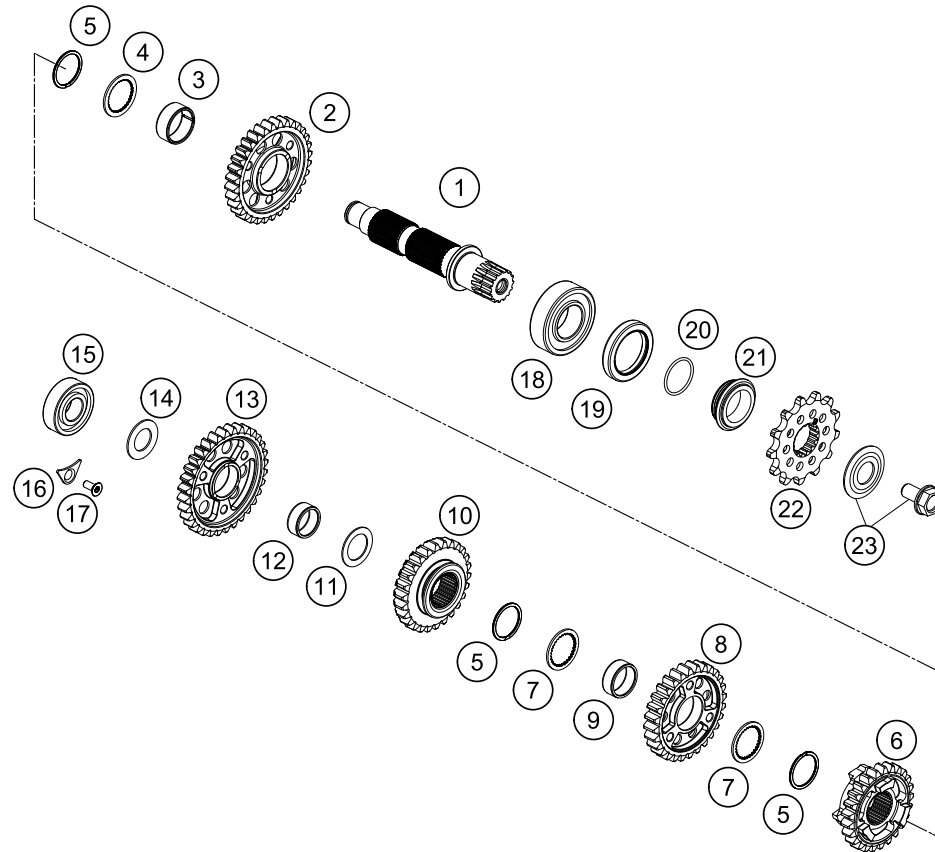
POS	PARTNUMBER	PARTNAME	PIECE
1*	79033001000	MAIN SHAFT CPL.	1
2	78033001110	BUSHING	1
3*	79033004044	IDLER GEAR 4. GEAR CPL.	1
4*	79033040000	STOP DISC 22X0,8X30X26X7H	1
5*	0471022000	CIRCLIP XDNS-22 S02	2
6*	79033003000	% SLIDING GEAR 3.G.	1
7*	79033042000	STOP DISC 22X0,8X30X26X7H	1
8*	79033005000	IDLER GEAR 5. GEAR	1
9*	0405202413	NEEDLE BEAR. K20X24X13	1
10*	79033002000	SOLID GEAR 2.G	1
11	77733027000	BUSHING	1
12	77233088000	SPACER SHIM 21X42X0.2	1
13*	0625160041	BALL BEARING TM 16004 C4	1
14	0625062054	BALL BEARING 6205 C3 NTN	1
15	75030085000	RETAINING PLATE F. CS BEARING	1
16*	0019050121S	INT. TORX FLAT HEAD M5X12 T25	1

157903330

C167903330

* NEW PART

X ON DEMAND



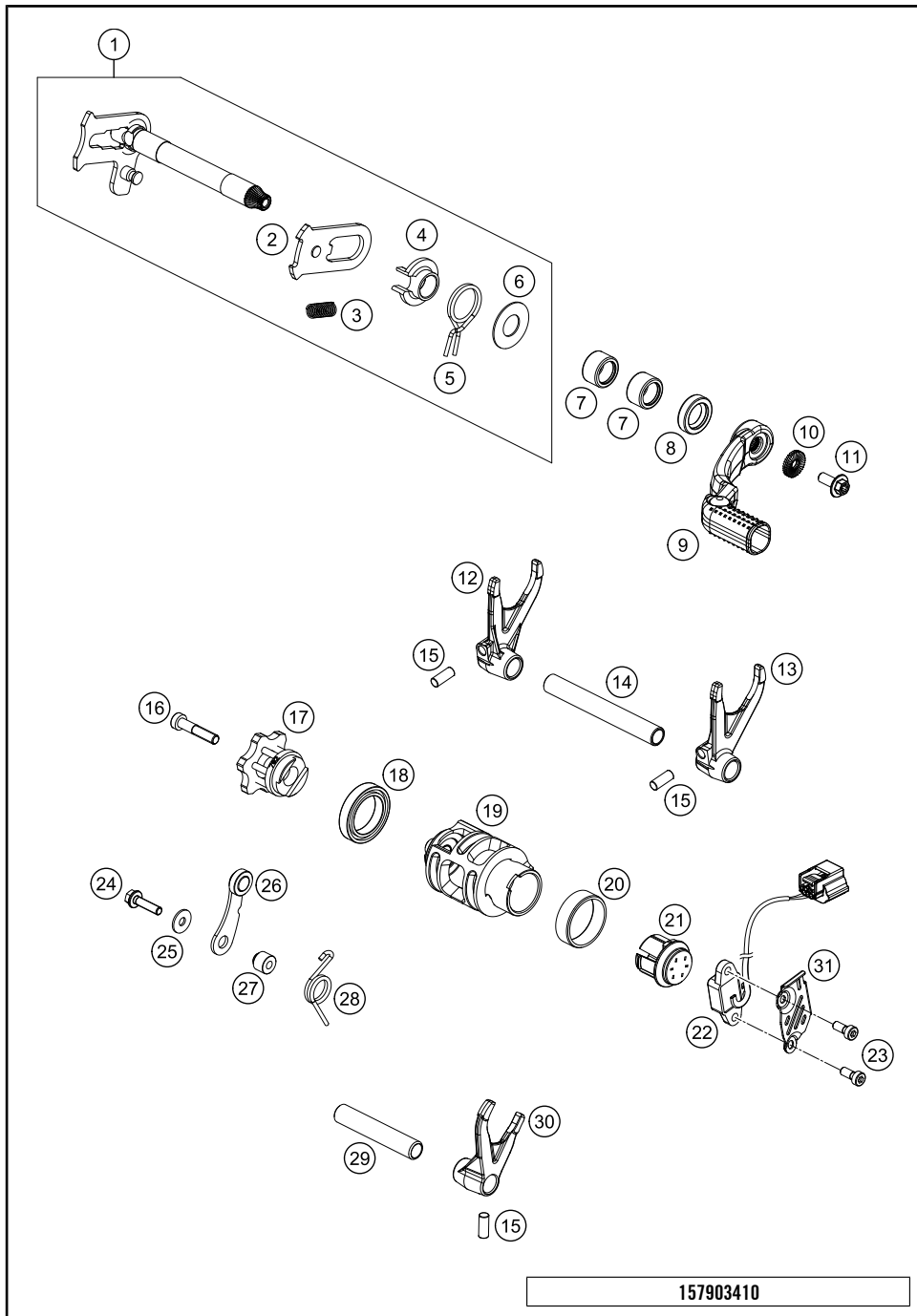
POS	PARTNUMBER	PARTNAME	PIECE
1*	79033010000	COUNTERSHAFT	1
2*	79033012000	IDLER GEAR 2ND GEAR	1
3	0405242812	NEEDLE BEAR. K24X28X11,9 DIV.	1
4*	79033041000	STOP DISC 25X0,8X30X30X7H	1
5*	0471025001	CIRCLIP XDNS-25 S02	3
6*	79033015100	SLIDING GEAR 5TH GEAR	1
7*	54833043000	STOP DISC 25X0,8X30X30X7H	2
8*	79033013000	IDLER GEAR 3RD GEAR	1
9	0405222611	NEEDLE BEAR.K 22X26X10 DIVIDED	1
10*	79033014000	SLIDING GEAR 4TH GEAR	1
11	54833080000	STOP DISC 20,2X30X1	1
12*	50033098000	NEEDLE BEARING K20X24X10	1
13*	79033011000	IDLER GEAR 1TH GEAR	1
14	77233020000	STOP DISK 17,2X30X1,3	1
15	0625062035	BALL BEARING 6203 JR2 C3	1
16	75030085000	RETAINING PLATE F. CS BEARING	1
17*	0019050121S	INT. TORX FLAT HEAD M5X12 T25	1
18*	49030023000	CYL.ROLL BEARING NJ205	1
19	0760324571	SHAFT SEAL RING 32X45X7 BSLNBR	1
20	0770020220	O-RING 25,12X1,78 NBR70	1
21*	78133014000	SPACER SLEEVE COUNTER	1
22*	79233029013	SPROCKET 13T	1
22*	79233029014	SPROCKET 14T	x
23	59033034044	SCREW 10.9+SPRING WASHER	1

157903360

C167903360

* NEW PART

X ON DEMAND



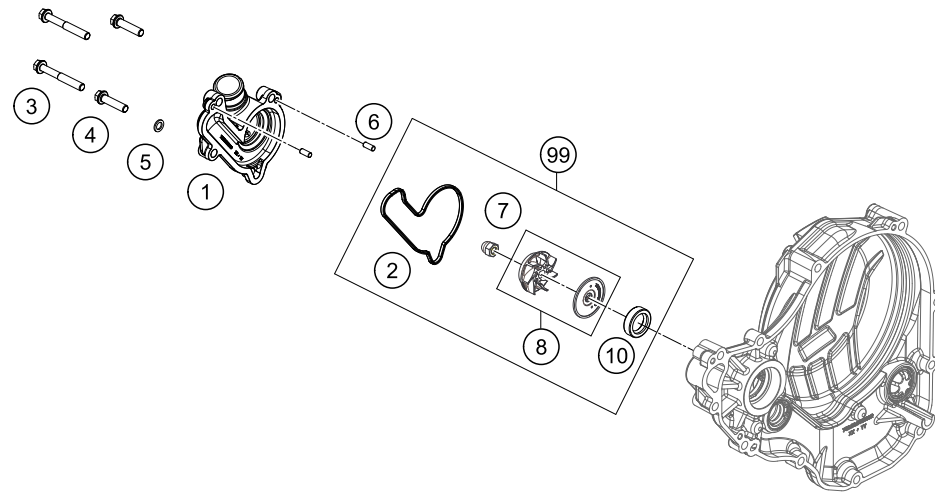
POS	PARTNUMBER	PARTNAME	PIECE
1*	79234005133	SHIFT SHAFT CPL.	1
2*	79234008144	SLIDING PLATE CPL.	1
3	56534013100	TENSIONING SPRING 0,8MM	1
4	54634020000	SPRING GUIDE	1
5	54834014000	RETURN SPRING 03	1
6	54634050000	STOP DISK 14X30X1	1
7	54632095000	NEEDLE BEAR.HK 1412 14X20X12	2
8	0760142460	SHAFT SEAL RING 14X24X6 B	1
9*	79234031000	% SHIFTING LEVER CPL.	1
10*	50233041500	NORDLOCK WASHER M6	1
11*	0024060156S	HH COLLAR SCREW M6X15 TORX30	1
12*	79034003000	SHIFTING FORK 1.-3. GEAR	1
13*	79034002000	SHIFTING FORK 2. GEAR	1
14*	77034019000	SHIFTING MAIN L=93MM 05	1
15	0402061480	NEEDLE ROLLER DIN5402 6X14,8	3
16*	0984060302	AH SCREW DIN6912 M 6X30	1
17*	79234015000	SHIFT DRUM LOCATING CPL.	1
18	0625618050	BALL BEARING 61805 C3	1
19*	79034012000	GEAR SHIFT DRUM 5G	1
20*	79234012010	FRICTION BEARING CONTROLLER	1
21*	79234012020	MAGNET HOLDER CPL.	1
22*	79211023000	GEAR SENSOR	1
23*	0984050143S	CYL. SCREW DIN6912 M5X14 8.8	2
24	0025050206	HH COLLAR SCREW M5X20 TX30	1
25	0021050003	WASHER DIN9021-A 5,3	1
26*	79234024044	LOCKING LEVER CPL.	1
27	54634052300	SLEEVE FOR LOCKING LEVER	1
28*	54834023000	LOCKING LEVER SPRING 03	1
29	54834019000	SHIFT. RAIL MAIN SHAFT 250/300	1
30*	79034001000	SHIFTING FORK 4.-5. GEAR	1
31*	79211024000	GUARD PLATE MOTION SENSOR	1

157903410

C167903410

* NEW PART

X ON DEMAND



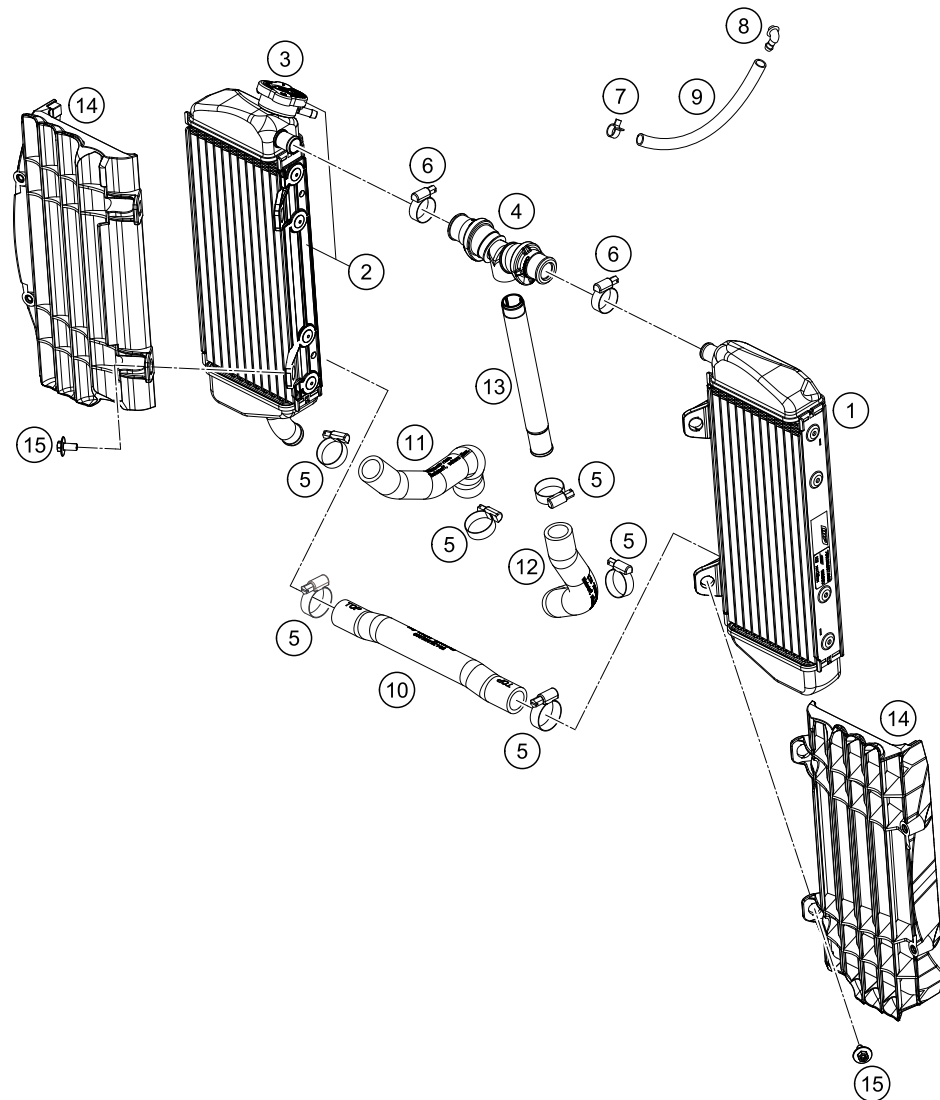
POS	PARTNUMBER	PARTNAME	PIECE
1*	79235052000	WATER PUMP COVER	1
2*	79235053000	GASKET F. WATER PUMP COVER	1
3*	0025060456	HH COLLAR SCREW M6X45 TX30	2
4	0025060256	HH COLLAR SCREW M6X25 TX30	2
5	0603061001	CU-SEAL RING DIN7603-6X10X1	1
6	0402040980	NEEDLE ROL.DIN5402 NRB 4X9,8	2
7	61230045000	CAP NUT M6 STAINLESS STEEL	1
8*	79235055044	WATER PUMP WHEEL CPL.	1
10*	07601530451	SHAFT SEAL RING 15X30X4.5 BAUD	1
99	79235055015	WATER PUMP REP. KIT	1

157903510

C167903510

* NEW PART

X ON DEMAND



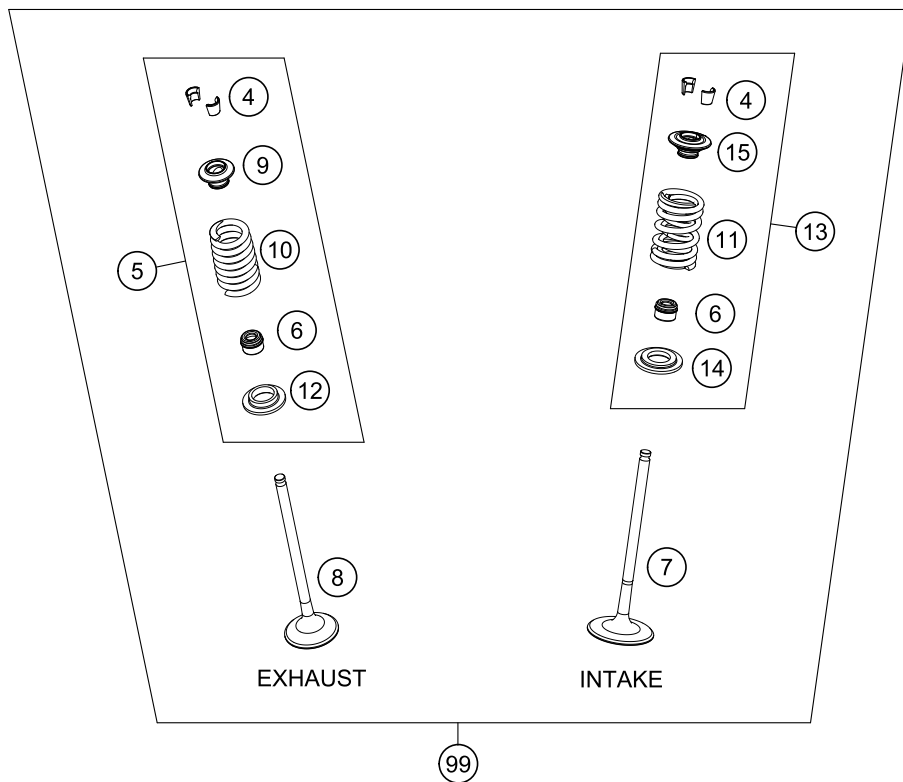
POS	PARTNUMBER	PARTNAME	PIECE
1*	50435007000	% RADIATOR LEFT 16	1
2*	50435008000	% RADIATOR RIGHT 16	1
3*	79035016000	RADIATOR CAP 1,8 BAR	1
4*	79035071044	Y-PIECE CPL.	1
5	10001020000	HOSE CLAMP GEMI 18-29	5
6	42013037400	HOSE CLAMP NORMA 14/24	2
7	59007017000	CLAMP YDNAC 10096F (9,6MM)	1
8	50303089000	ANGLE PIECE '97	1
9	50335030001	PVC-HOSE 6X9	x
10*	50435025000	PREFORMED HOSE RADIATOR	1
11*	79235027000	PREFORMED HOSE WATER PUMP	1
12*	79035024000	HOSE ENGINE Y-PIECE	1
13	77235073000	HOSE CONNECTOR L=172,5	1
14*	7903503400030	RADIATOR PROTECT 2016	2
15	0024060123	COLLAR SCREW M6X12 TX	4

167903530

C167903530

* NEW PART

X ON DEMAND



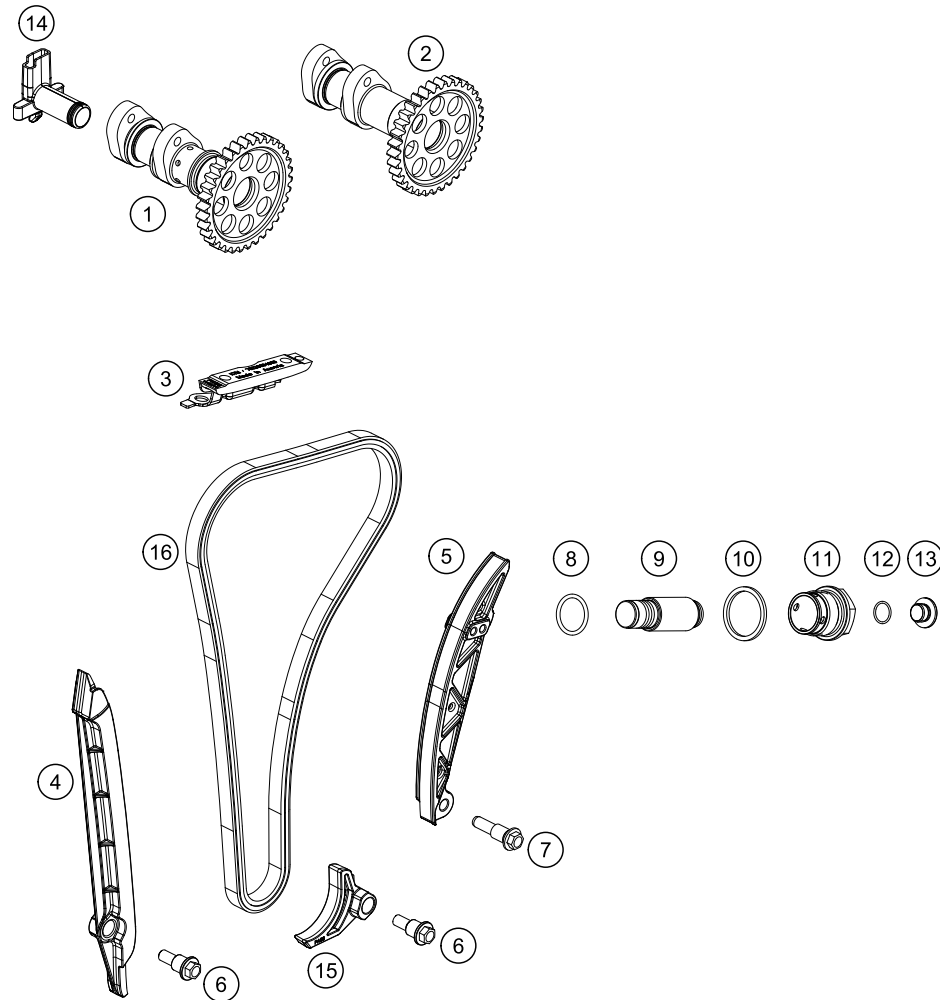
POS	PARTNUMBER	PARTNAME	PIECE
1	77236056000	VALVE LEVER SHAFT	2
2*	77236060100	VALVE LEVER	4
3	77036035172	SHIM D=8,9/1,72	x
3	77036035176	SHIM D=8,9/1,76	x
3	77036035180	SHIM D=8,9/1,80	x
3	77036035184	SHIM D=8,9/1,84	x
3	77036035188	SHIM D=8,9/1,88	x
3	77036035192	SHIM D=8,9/1,92	x
3	77036035196	SHIM D=8,9/1,96	x
3	77036035200	SHIM D=8,9/2,00	x
3	77036035204	SHIM D=8,9/2,04	x
3	77036035208	SHIM D=8,9/2,08	x
3	77036035212	SHIM D=8,9/2,12	x
3	77036035216	SHIM D=8,9/2,16	x
3	77036035220	SHIM D=8,9/2,20	x
3	77036035224	SHIM D=8,9/2,24	x
3	77036035228	SHIM D=8,9/2,28	x
3	77036035232	SHIM D=8,9/2,32	x
3	77036035236	SHIM D=8,9/2,36	x
3	77036035240	SHIM D=8,9/2,40	x
3	77036035244	SHIM D=8,9/2,44	x
3	77036035248	SHIM D=8,9/2,48	x
3	77036035252	SHIM D=8,9/2,52	x
3	77036035256	SHIM D=8,9/2,56	x
3	77036035260	SHIM D=8,9/2,60	x
4	77036033000	VALVE COLLET 05	8
5*	79036028044	VALVE SPRING KIT EXHAUST	1
6	77036027000	VALVE-STEM SEALING 05	4
7	77736030000	INTAKE VALVE	2
8	77736031000	EXHAUST VALVE	2
9*	79036132000	VALVE SPRING PLATE	2
10*	77736028000	VALVE SPRING NHK HUB 10MM	2
11*	79236028000	VALVE SPRING	2
12*	77736136000	VALVE SPRING HOLDER	2
13*	79036128044	VALVE SPRING KIT INTAKE	1
14*	79036236000	VALVE SPRING HOLDER	2
15*	79036232000	VALVE SPRING RETAINER	2
99	79036030010	VALVE KIT 250 SX-F FACTORY	1

157903610

C167903610

* NEW PART

X ON DEMAND



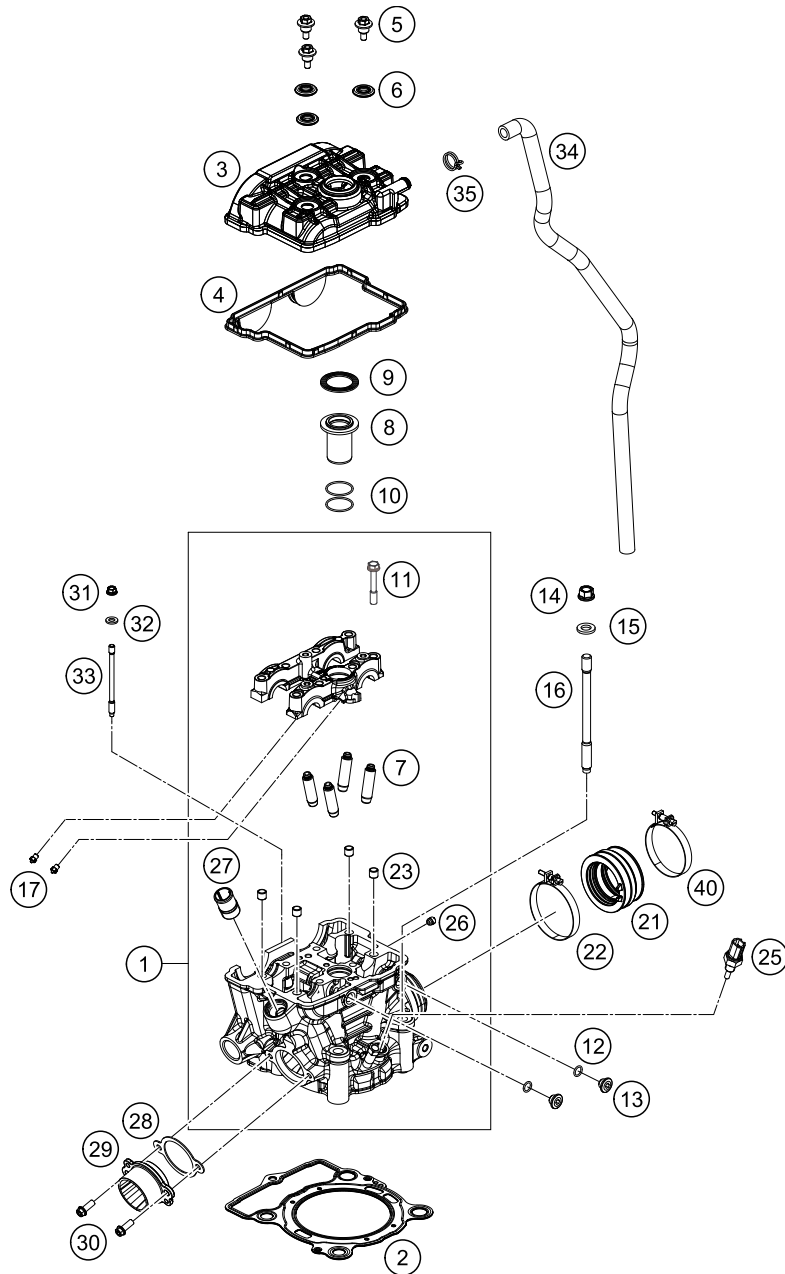
POS	PARTNUMBER	PARTNAME	PIECE
1*	79036009000	CAMSHAFT INTAKE	1
2*	79036010000	CAMSHAFT EXHAUST	1
3*	79236004000	TIMING CHAIN GUIDE TOP	1
4*	79236001000	GUIDE RAIL	1
5*	79236002000	TENSIONING RAIL	1
6	77236001160	BUSHING SCREW M6	2
7	77236002160	BUSHING SCREW M8	1
8	0770180020	O-RING 18,00X2,00 NBR 70	1
9	77036003000	CHAIN ADJUSTER HYD. 05	1
10	0603242920	CU SEAL-RING DIN7603 A24X29X2	1
11	77336008000	HOLDING BOLT M24X1,5	1
12	0770010010	O-RING 10,00X1,00 NBR 70 SH	1
13	77236080000	% SCREW PLUG	1
14	77236081000	ANGLE PIECE F. BREATHER SYSTEM	1
15	77236005000	SECURING PROTECTION	1
16*	79236013100	TIMING CHAIN	1

157903620

C167903620

* NEW PART

X ON DEMAND



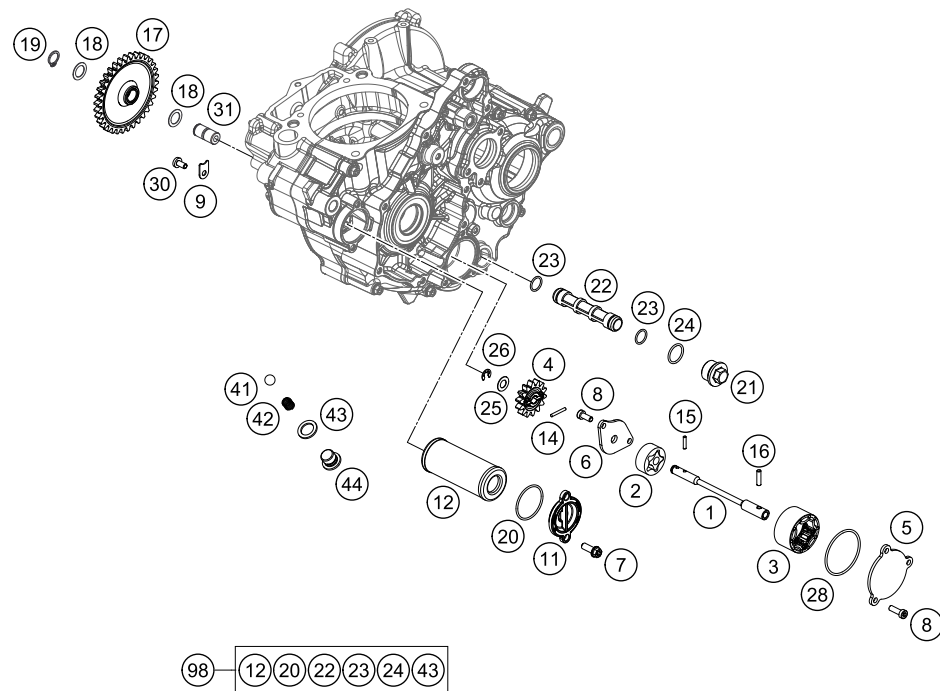
POS	PARTNUMBER	PARTNAME	PIECE
1*	79036020044	CYLINDER HEAD CPL.	1
2*	79030036086	CYLINDER HEAD GASKET	1
3	7773605200033	VALVE COVER	1
4	77736053000	VALVE COVER GASKET	1
5	77336054150	VALVE COVER SCREW	3
6*	77036054150	RUBBER GASKET FOR SCREW	3
7	77136026001	VALVE GUIDE OUTLET	4
8	77736075000	INSERT SPARK-PLUG SHAFT	1
9	77336053050	GASKET SPARK-PLUG SHAFT	1
10	0770260015	O-RING 1,5x26	2
11	77330067142	HH COLLAR SCREW M7X1X42	8
12	07700900151	O-RING 9x1,5 V80 SH	2
13	77236080000	% SCREW PLUG	2
14	77336088210	COLLAR NUT M10X1,25 SW13	4
15	77336089010	WASHER 19X10,5X2,5	4
16*	79230044000	STUD BOLT M10X1,25	4
17	60030063050	OIL JET 50 05	4
21*	79236044100	RUBBER CUP	1
22	61036047000	HOSE CLAMP GEMI 63MM 05	1
23	77036090000	DOWEL(BUSH BRIDGE)7/9/8 05	4
25*	79435047000	TEMPERATUR SENSOR WATER	1
26	59030296000	SCREW PLUG	1
27	58030010200	SCREW IN NOZZLE M20X1,5	1
28	77236041000	GASKET EXHAUST FLANGE	1
29	77736039000	ENGINEFLANGE	1
30	0025060166S	HH COLLAR SCREW M6X16 ISA 30	2
31	77336088106	COLLAR NUT M6X1 SW8	1
32	0125060003	WASHER DIN0125-A 6,4	1
33*	79230043000	STUD BOLT M6	1
34*	79030087000	ENGINE BREATHER TUBE	1
35	58431082300	CLAMP YDNAC 10173 (18MM)	1
40	77236048000	HOSE CLAMP GEMI 58MM	1

157903630

C167903630

* NEW PART

X ON DEMAND



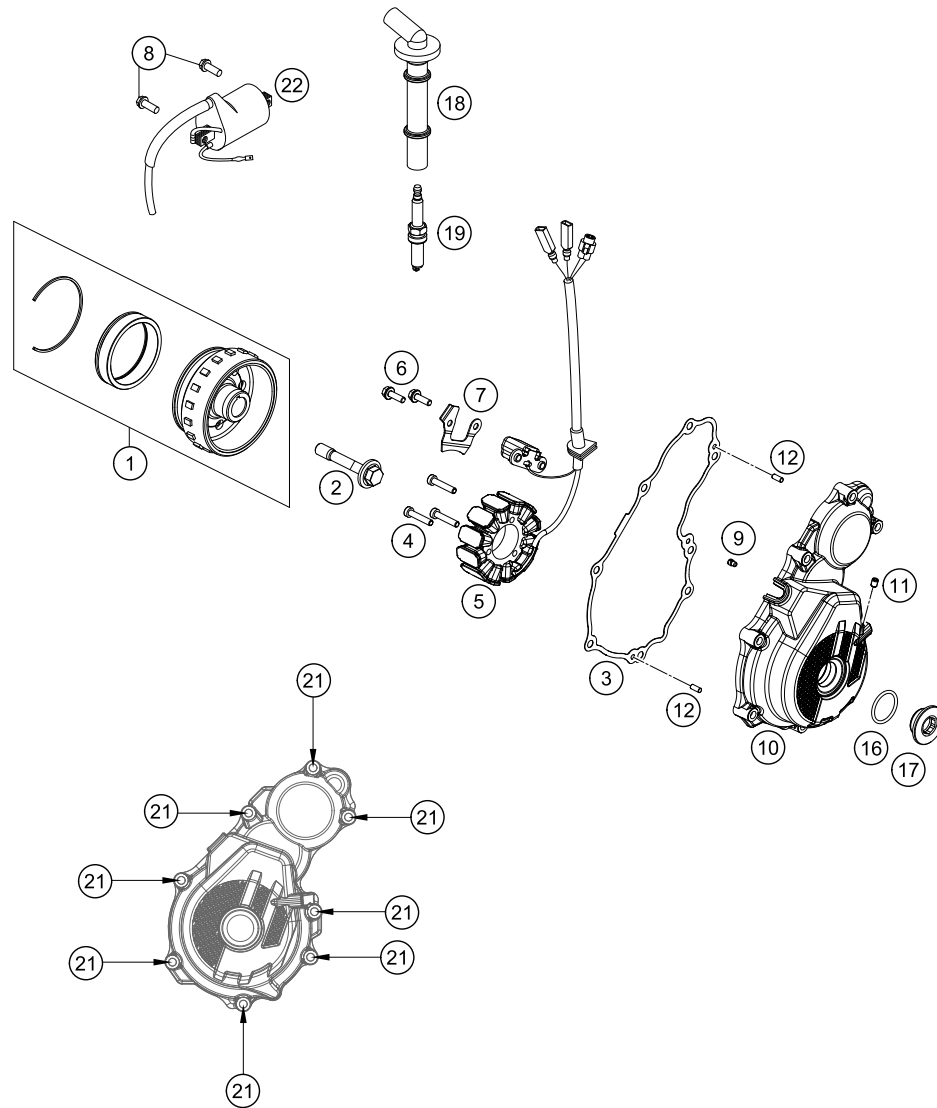
POS	PARTNUMBER	PARTNAME	PIECE
1*	79238002000	OIL PUMP SHAFT	1
2*	59038011112	OILPUMP ROTOR-SET 12MM CPL.	1
3	61238111000	ROTOR-SET CPL. 22MM	1
4	77038001100	OIL PUMP GEAR 14T 08	1
5*	79238004000	OIL PUMP COVER LEFT	1
6*	79238003000	OIL PUMP COVER RIGHT	1
7	0025060166	HH COLLAR SCREW M6X16 TX30	2
8*	0984050143S	CYL. SCREW DIN6912 M5X14 8.8	5
9	77238061050	AXIAL-CIRCLIP	1
11	77338041200	OIL FILTER COVER 08	1
12	77338005100	OIL FILTER	1
14	0402251980	NEEDLEROL.DIN5402 NRA 2,5X19,8	1
15	0402251180	NEEDLE ROLLER DIN5402 2,5X11,8	1
16	0402041580	NEEDLE ROLLER NRB 4X15,8 G2	1
17*	79238006000	OILPUMP IDLER GEAR	1
18	0988121805	SHIM WASHER DIN0988-12X18X0,50	2
19	0471120010	CIRCLIP DIN0471-12X1	1
20	07703305178	O-RING 33,05X1,78	1
21*	59038017100	PLUG M20X1,5 WS=13	1
22	59038016100	OIL SCREEN	1
23	07701250151	O-RING 12,5X1,5 VITON V75	2
24	0770020170	O-RING 17,17X1,78 GLO	1
25	58038007755	STOP DISK 8,1 X 15 X 0,5	1
26	0799060000	TAB WASHER DIN6799-RS 6,0	1
28	0770440020	O-RING 44,00X2,00 VITON	1
30	0018050103	INT. TORX OVAL HEAD M 5X10 8.8	1
31	77038013100	BUSHING PIN	1
41	0401090003	BALL DIN5401-9	1
42	58038023300	PRESSURE SPRING L=25MM D=1MM	1
43	58038022000	CU-SEAL RING DIN7603-12X18X1,5	1
44*	78036024000	PLUG SCREW SAS M12X1,5	1
98	00050000083	OILFILTER-GASKET SET 350 SX-F	x

157903810

C167903810

* NEW PART

X ON DEMAND



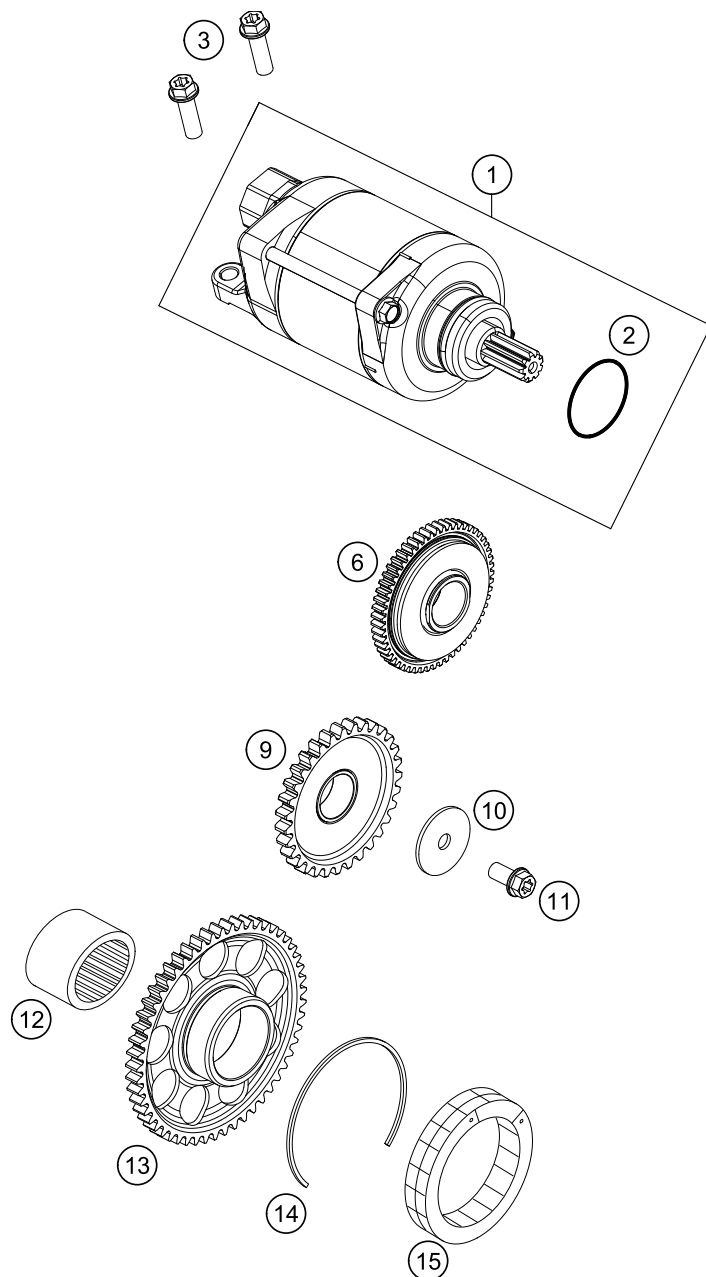
POS	PARTNUMBER	PARTNAME	PIECE
1*	79239005044	ROTOR EFI CPL.	1
2	77339010100	FLYWHEEL SCREW	1
3*	79230040000	IGNITION COVER GASKET	1
4*	0012050253	AH SCREW DIN6912 M5X25	3
5*	79239004000	STATOR	1
6	0025050166	HH COLLAR SCREW M5X16 TX30	2
7*	79230002050	CABLE HOLDER PLATE	1
8*	0026060186	COLLAR SCREW M6X18 ISA30	2
9	80030058060	OIL JET "60" M4	1
10*	7923000200015	IGNITION COVER	1
11	0913050063	THREAD PIN DIN 913 M5X6	1
12	0402040980	NEEDLE ROL.DIN5402 NRB 4X9,8	2
16	07700240251	O-RING 24X2,5 VITON	1
17*	7723000216030	SCREW PLUG M24X1,5	1
18	77739090000	SPARK PLUG CONNECTOR	1
19	77239093000	PLUG NGK LMAR9AI - 8	1
21	0025060306	HH COLLAR SCREW M6X30 TX30	8
22	58439006000	IGNITIONCOIL IG3826 KOKUSAN'96	1

157903910

C167903910

* NEW PART

X ON DEMAND



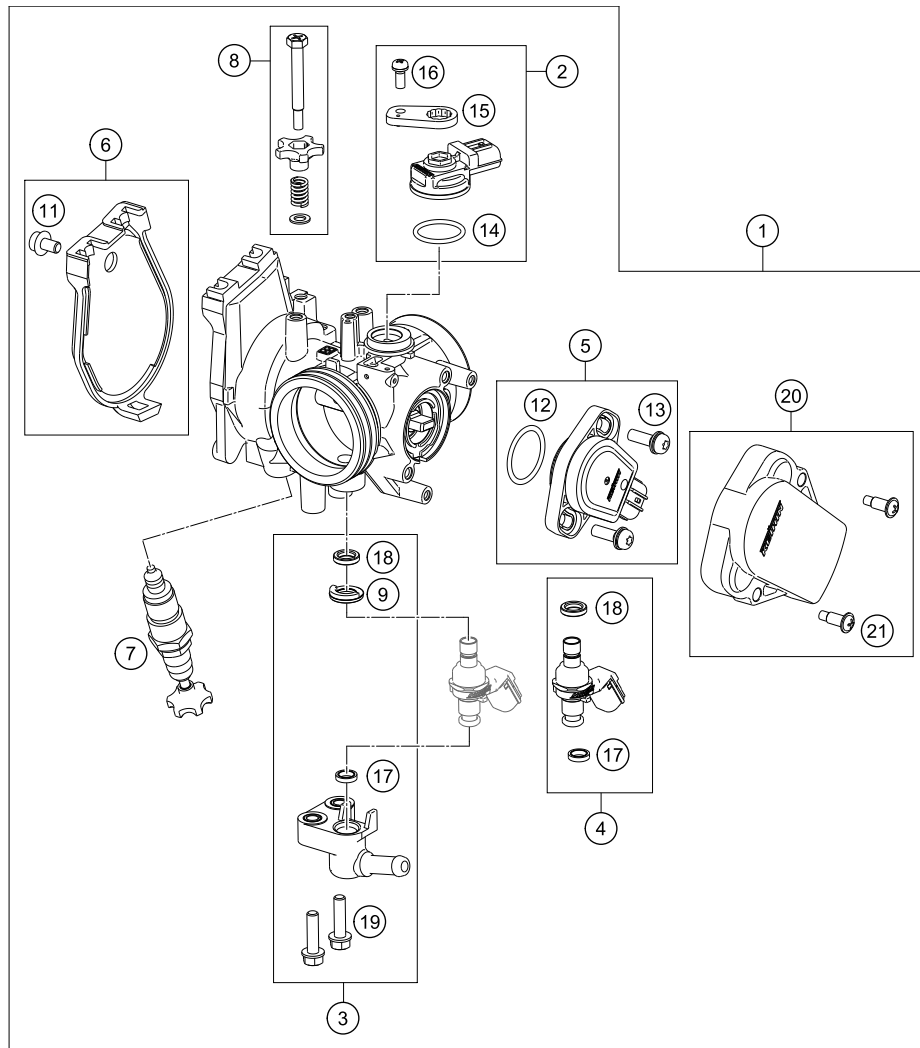
POS	PARTNUMBER	PARTNAME	PIECE
1*	79240001000	E-STARTER ENGINE CPL.	1
2	0770250030	O-RING 25,00X3,00 NBR 70	1
3	0025060256	HH COLLAR SCREW M6X25 TX30	2
6*	79240016000	TORQUE LIMITER	1
9*	79240022000	INTERMEDIATE STARTING GEAR	1
10*	79240017000	STOP DISC 6X26X1,5	1
11*	0025060126	HH COLLAR SCREW M6X12 TX30	1
12	0618253216	NEEDLE BUSH HK2516 25/32/16 02	1
13*	79240020000	FREE WHEEL GEAR	1
14	0472057150	CIRCLIP DIN0472-57X1,50	1
15	80040026000	FREE WHEEL 03	1

157904010

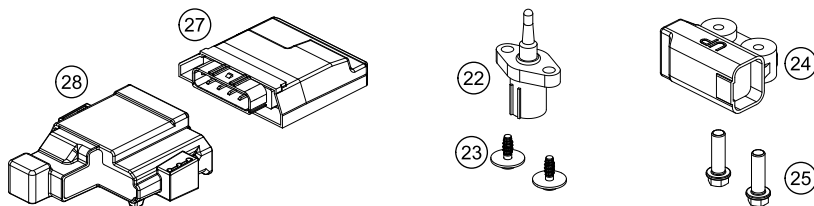
C167904010

* NEW PART

X ON DEMAND



POS	PARTNUMBER	PARTNAME	PIECE
1*	79041001000	THROTTLE BODY	1
2*	77741085044	MAP SENSOR CPL.	1
3*	79041013044	FUEL PIPE CPL.	1
4*	79041023044	INJECTOR CPL.	1
5*	79041077044	TPS CPL.	1
6*	79041056044	THROTTLE COVER CPL.	1
7*	79041070000	STARTER VALVE CPL.	1
8	77741060044	IDLING ADJUSTING SCREW CPL.	1
9*	79041023030	SEAL RING	1
11*	79041056020	SPECIAL SCREW	1
12*	75041077110	O-RING	1
13*	61041077020	SCREW THROTTLE POS. SENSOR	2
14	75041085010	O-RING	1
15	77741085020	PLATE	1
16	81241085030	SPECIAL SCREW	1
17*	60341023020	O-RING	1
18	75041023010	SEAL RING	1
19*	79041013060	SPECIAL SCREW M5X20	2
20*	79041078044	TPS COVER CPL.	1
21*	60031028000	SCREW KEIHIN 03	2
22	61041080000	AMBIENT-AIR TEMPERATURE SENSOR	1
23*	0081645121	EJOT DELTA PT SCREW 45X12-Z	2
24	61041088000	ROLLOVER SENSOR 05	1
25	0025060206	HH COLLAR SCREW M6X20 TX30	2
27*	79041031000	ENGINE CONTROL UNIT EFI	1
28*	79041031050	ECU RUBBER HOLDER	1



157894110

C167904110

* NEW PART

X ON DEMAND

WWW.KTM.COM



KTM Sportmotorcycle GmbH
5230 Mattighofen, Austria
www.ktm.com



KTM_POWERPARTS

KTM_POWERWEAR

KTM_ORIGINAL SPARE PARTS



3CM089330PEN

Art. Nr.: 3CM089330PEN 29. Feb 2016