

Engine 350 XC-F Factory Ed. 2025 2025

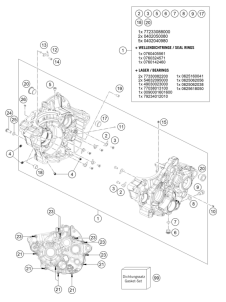
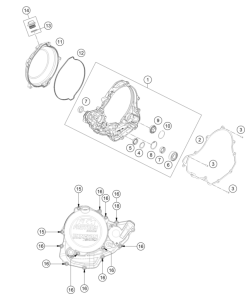
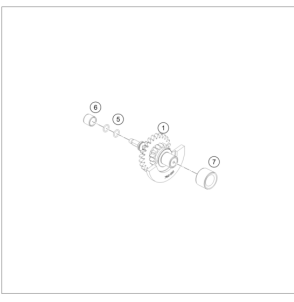
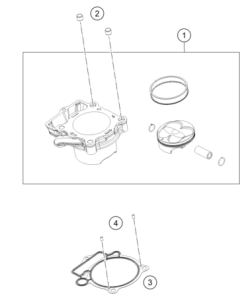
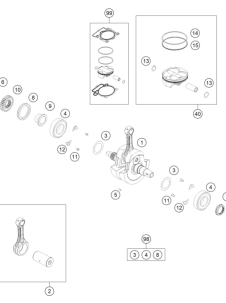
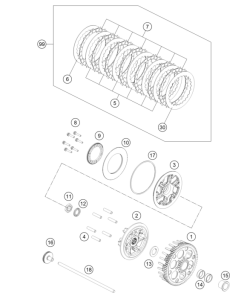
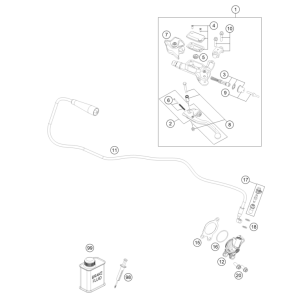
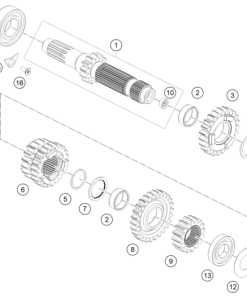
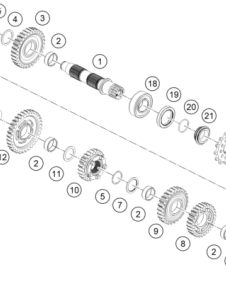
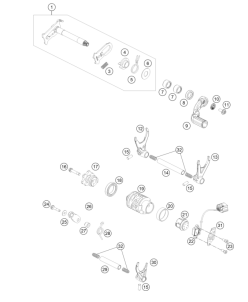
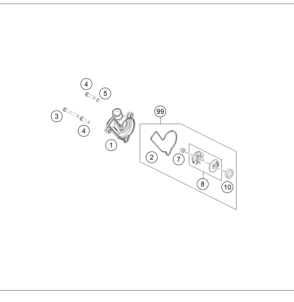
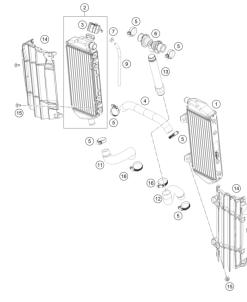
ART.-NR.: 089358YEN

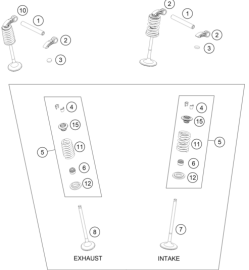
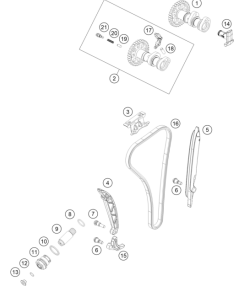
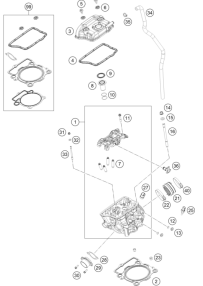
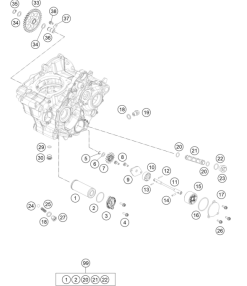
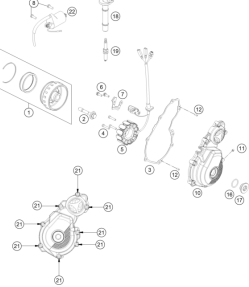
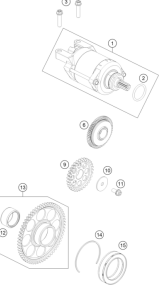
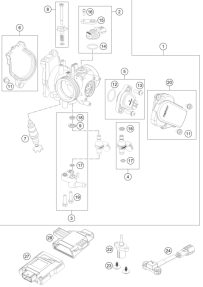




All information contained is without obligation. KTM Sportmotorcycle GmbH particularly reserves the right to modify any equipment, technical specifications, prices, colors, shapes, materials, services, service work, constructions, equipment and the like so as to adapt them to local conditions or to cancel any of the above items, all without previous announcement and without giving reasons. KTM may stop manufacturing certain models without previous notice. KTM shall not be held liable for any deviations of availability and/or ability to deliver, illustrations, descriptions, printing and/or other errors. The illustrated models partly contain extra equipment, which is not applied to standard models.

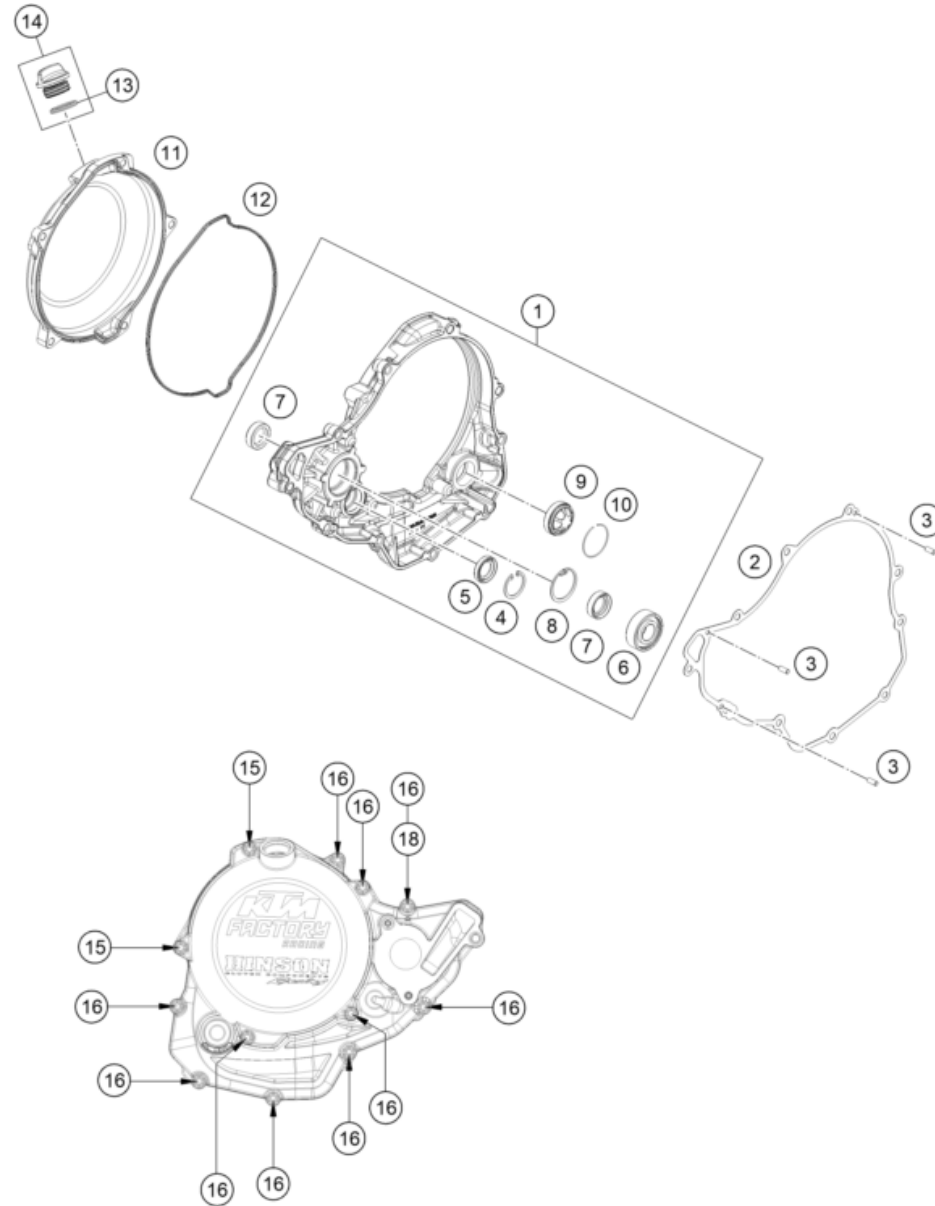
© by KTM Sportmotorcycle GmbH, Mattighofen AUSTRIA; All rights reserved; Reprint, also in extracts, with written allowance of KTM Sportmotorcycle GmbH, Mattighofen only.

| | | | |
|---|---|--|--|
| <p>ENGINE CASE</p>  <p>3</p> | <p>CLUTCH COVER</p>  <p>4</p> | <p>BALANCER SHAFT</p>  <p>5</p> | <p>CYLINDER</p>  <p>6</p> |
| <p>CRANKSHAFT, PISTON</p>  <p>7</p> | <p>CLUTCH</p>  <p>8</p> | <p>CLUTCH CONTROL</p>  <p>9</p> | <p>TRANSMISSION I - MAIN SHAFT</p>  <p>10</p> |
| <p>TRANSMISSION II - COUNTERSHAFT</p>  <p>11</p> | <p>SHIFTING MECHANISM</p>  <p>12</p> | <p>WATER PUMP</p>  <p>13</p> | <p>COOLING SYSTEM</p>  <p>14</p> |

| | | | |
|--|---|--|---|
| <p>VALVE DRIVE</p>  <p>15</p> | <p>TIMING DRIVE</p>  <p>16</p> | <p>CYLINDER HEAD</p>  <p>17</p> | <p>LUBRICATING SYSTEM</p>  <p>18</p> |
| <p>IGNITION SYSTEM</p>  <p>19</p> | <p>ELECTRIC STARTER</p>  <p>20</p> | <p>THROTTLE BODY</p>  <p>21</p> | |
| | | | |

CLUTCH COVER

Engine 350 XC-F Factory Ed. 2025 2025



| POS | PARTNUMBER | | PIECE |
|-----|--------------|--------------------------------|-------|
| 1 | A46030001044 | inner clutch cover cpl. | 1 |
| 2 | A46030025000 | Clutch cover gasket | 1 |
| 3 | 0402040980 | Needle roll.DIN5402 NRB 4X9.8 | 3 |
| 4 | 0472024120 | CIRCLIP DIN0472-24X1.2 | 1 |
| 5 | 0760142450 | SHAFT SEAL RING 14X24X5 VITON | 1 |
| 6 | 0625062022 | BALL BEARING 6202 C0 2 | 1 |
| 7 | 07601530451 | SHAFT SEAL RING 15X30X4.5 BAUD | 2 |
| 8 | 0472300120 | CIRCLIP 30X1,2 | 1 |
| 9 | 59030019200 | OIL SIGHT GLASS | 1 |
| 10 | 61030019050 | CIRCLIP OIL LEVEL GLASS 03 | 1 |
| 11 | A48030926000 | Outer clutch hub loose | 1 |
| 12 | A48030027000 | Clutch cover gasket external | 1 |
| 13 | 0770191015 | O-RING 19,00X3,00 NBR | 1 |
| 14 | 79430020033 | Oil filler cap cmpl. M24x3 | 1 |
| 15 | 0025060456 | HH COLLAR SCREW M6X45 TX30 | 3 |
| 16 | 0025060256 | HH collar screw M6x25 TX30 | 10 |
| 18 | 0603061001 | CU-seal ring DIN7603-6X10X1 | 1 |

237953020

68746

* NEW PART

X ON DEMAND

BALANCER SHAFT

Engine 350 XC-F Factory Ed. 2025 2025

| POS | PARTNUMBER | | PIECE |
|-----|---------------|---------------------------------------|-------|
| 1 | 79236072233 | Balancing shaft preassembled | 1 |
| 5 | 07700900151 | O-RING 9x1,5 V80 SH | 2 |
| 6 | 77236072120 | Wear bushing 12/15/12,5 | 1 |
| 7 | 0090001601600 | Slide bearing bushing, balancer shaft | 1 |



247913030

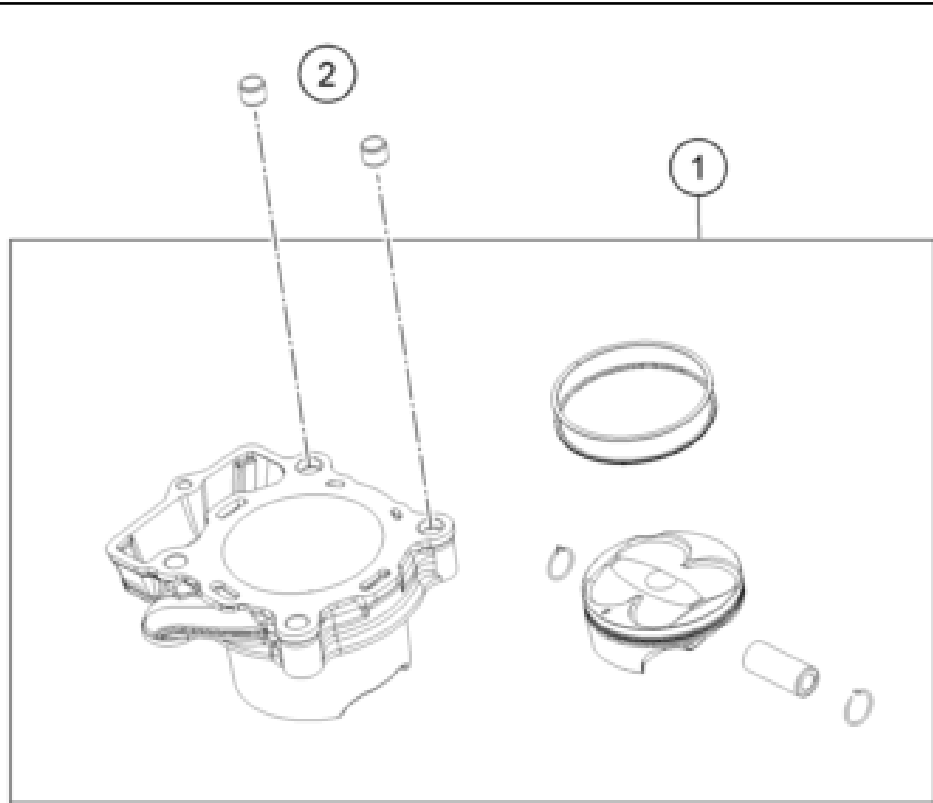
62481

* NEW PART

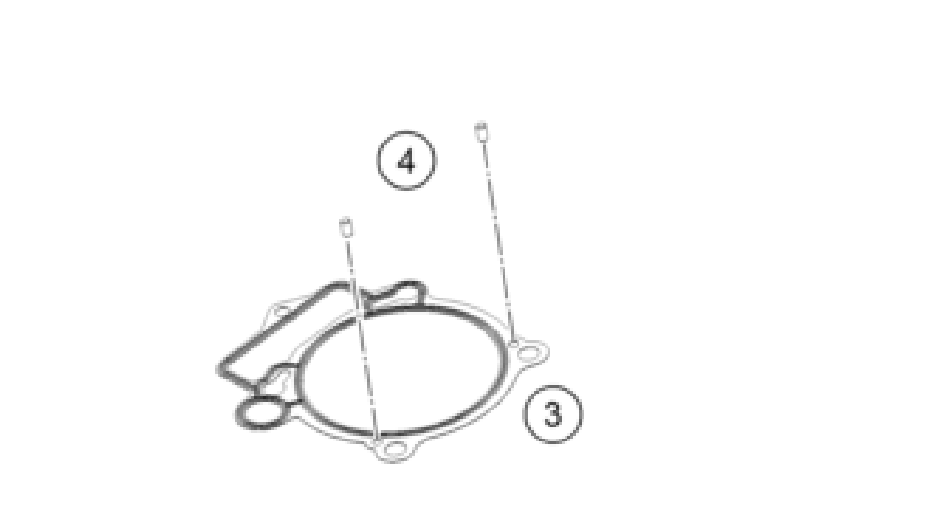
X ON DEMAND

CYLINDER

Engine 350 XC-F Factory Ed. 2025 2025



| POS | PARTNUMBER | | PIECE |
|-----|--------------|------------------------------|-------|
| 1 | A47030038000 | Cylinder + Piston | 1 |
| 2 | 58530014100 | dowl sleeve 10.2x12.5x10 | 2 |
| 3 | A46030035000 | Cylinder base gasket | 1 |
| 4 | 0402050980 | needle roller DIN 5402 5x9.8 | 2 |

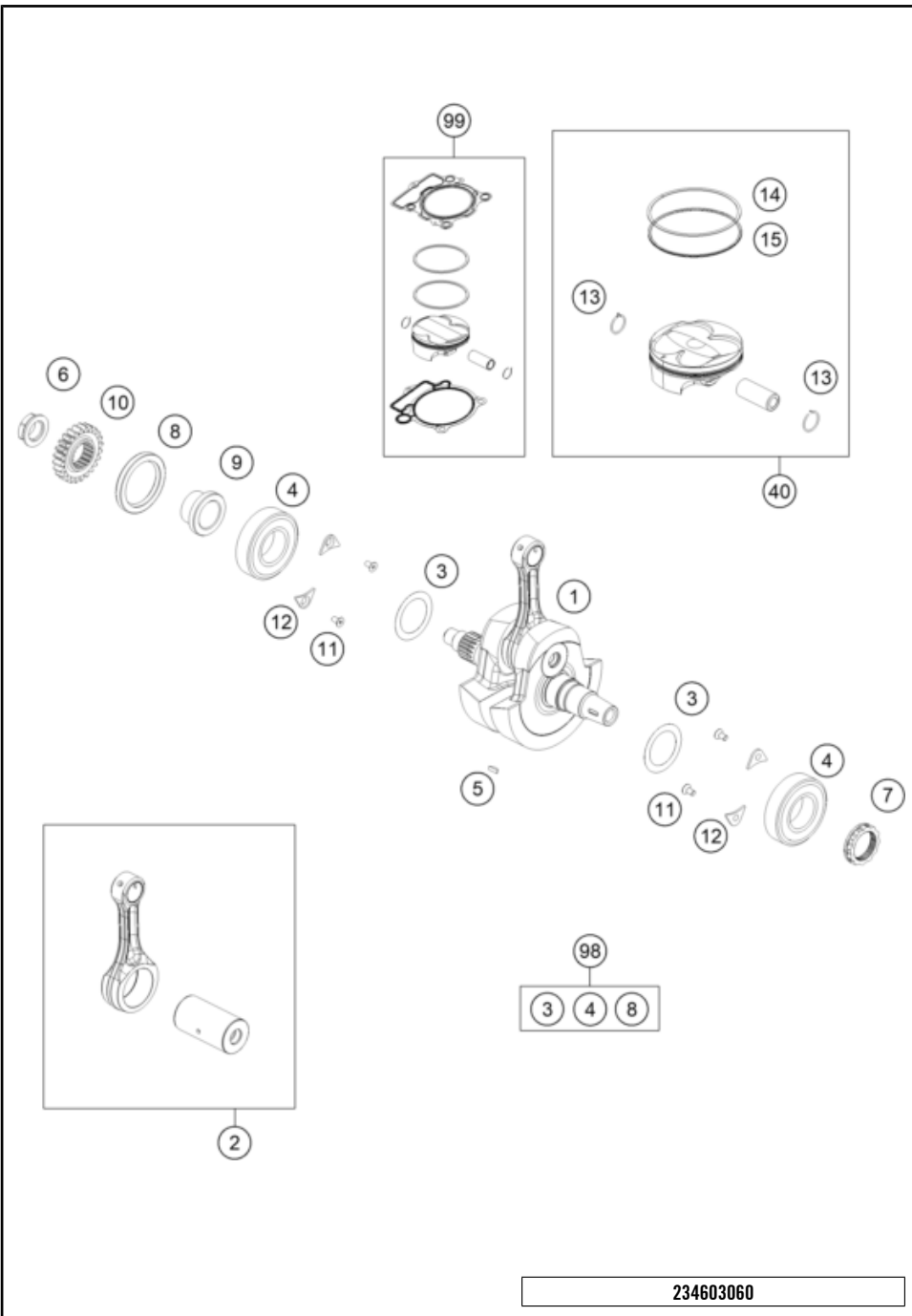


224603040

59976

* NEW PART

X ON DEMAND



| POS | PARTNUMBER | | PIECE |
|-----|-----------------|--------------------------------|-------|
| 1 | 79330018000 | Crankshaft cpl. | 1 |
| 2 | 79230015144 | CONROD REPAIR KIT | 1 |
| 3 | 0988324510 | THRUST WASHER 988ST 32X0,1 | x |
| 3 | 0988324515 | THRUST WASHER 988ST 32X0,15 | x |
| 3 | 0988324530 | THRUST WASHER 988ST 32X0,30 | x |
| 4 | 77330082200 | BEARING NJ 206 ECP/HN3C4HVA624 | 2 |
| 5 | 0888030037 | WOODRUFF KEY DIN6888-3X3,7 | 1 |
| 6 | 0910001801001S | Nut M18x1.5 Precote LH thread | 1 |
| 7 | 0910002700800S | Nut M27x1 Precote | 1 |
| 8 | 0760405561 | SHAFT SEAL RING A 40X55X6 V. | 1 |
| 9 | 77232022100 | Spacer, primary gear | 1 |
| 10 | 79232023124 | gear primary drive | 1 |
| 11 | 0019050121S | INT. TORX FLAT HEAD M5X12 T25 | 4 |
| 12 | 75030085000 | RETAINING PLATE F. CS BEARING | 4 |
| 13 | 79230274000 | CIRCLIP PISTON PIN | 2 |
| 14 | 77230030000 | COMPRESSIONRING 350 | 1 |
| 15 | 79230232100 | Oil scraper ring | 1 |
| 40 | A47030007000 I | piston I cpl. 350 MX | x |
| 40 | A47030007000 II | piston II cpl. 350 MX | x |
| 98 | 00050002319 | Crankshaft repair kit | x |
| 99 | A47030007010 I | piston kit I | x |
| 99 | A47030007010 II | Pistonkit II | x |

234603060

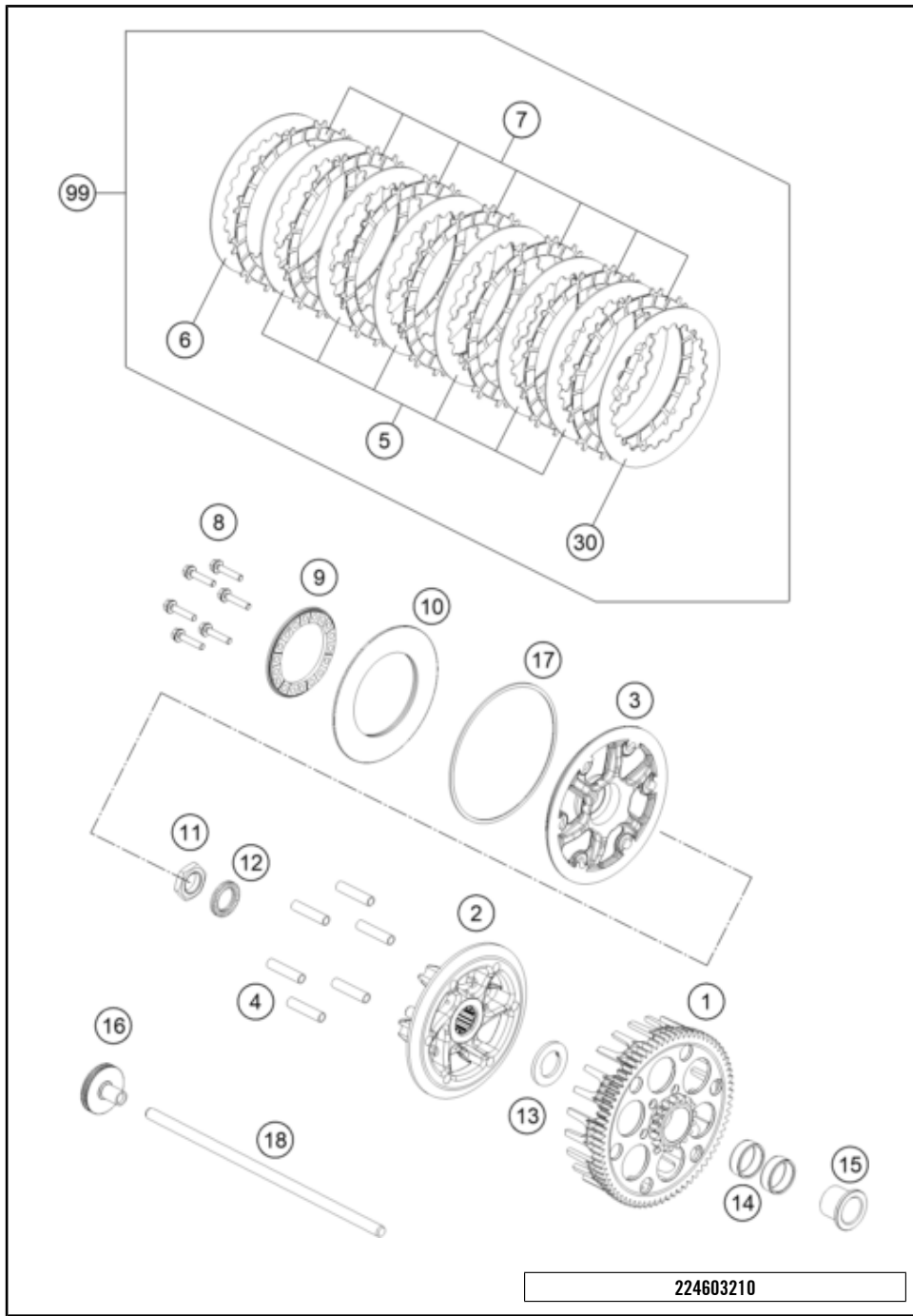
70839

* NEW PART

X ON DEMAND

CLUTCH

Engine 350 XC-F Factory Ed. 2025 2025



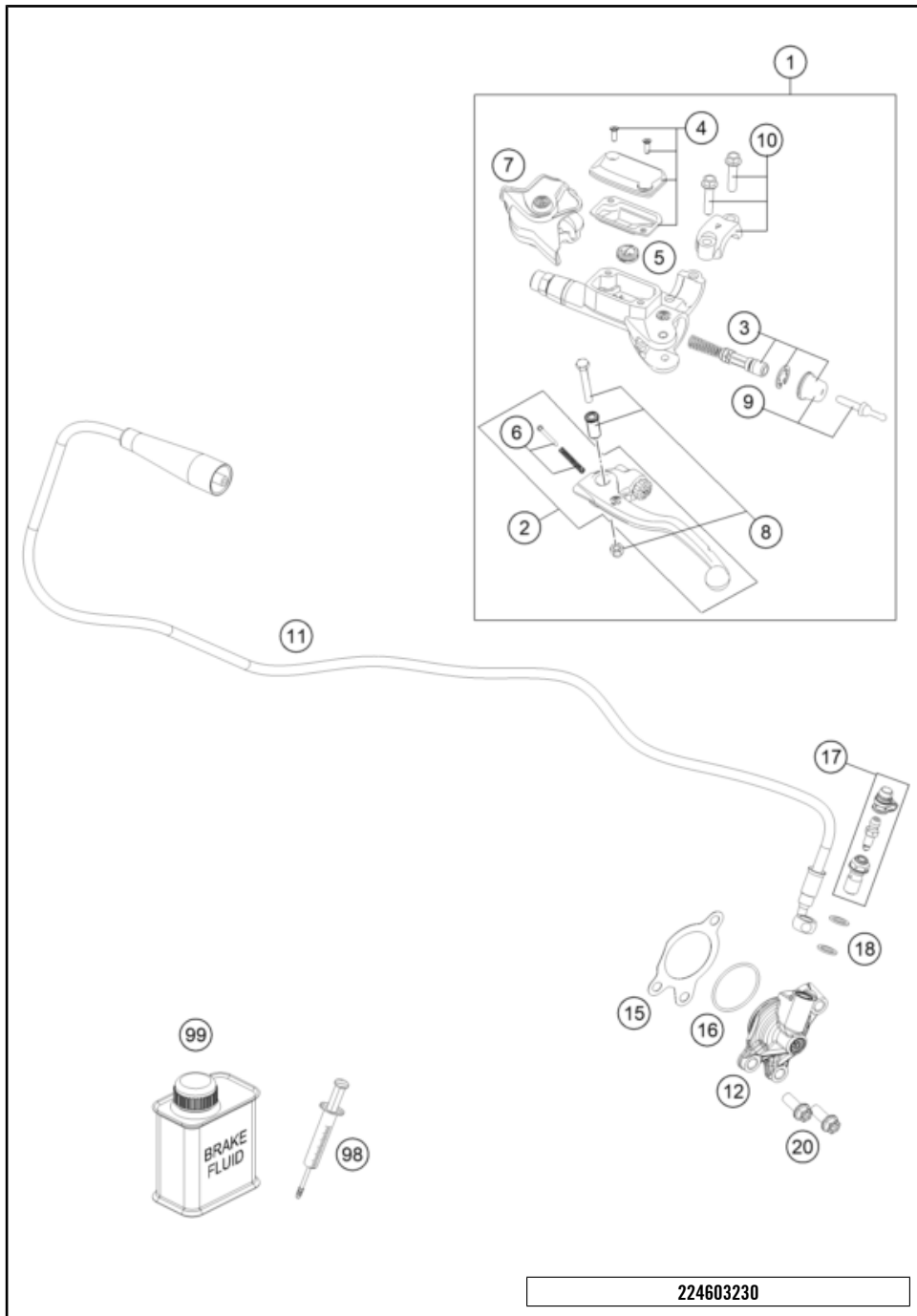
| POS | PARTNUMBER | | PIECE |
|-----|---------------|-------------------------------|-------|
| 1 | A46032001072 | Outer clutch hub | 1 |
| 2 | A46032002000 | Inner clutch hub | 1 |
| 3 | 79332003000 | Pressure plate | 1 |
| 4 | 79232104000 | Sleeve, 7.95x35 | 6 |
| 5 | 59032010200 | INTERMEDIATE DISC 1,4MM 2002 | 6 |
| 6 | 59032010100 | INTERMEDIATE DISC 1MM 2002 | 1 |
| 7 | 79532011000 | Lining disc 1,95mm | 7 |
| 8 | 0025050256 | HH COLLAR SCREW M5X25 ISA30 | 6 |
| 9 | 78132006200 | Spring retainer | 1 |
| 10 | 76432005000 | CLUTCH SPRING "300Nm" | 1 |
| 11 | 0936181506 | Hex nut DIN0936-M18x1.5 right | 1 |
| 12 | 0252012002900 | Wedge lock washer 19.5x29x3.4 | 1 |
| 13 | 78932009000 | WASHER 22 X 36,5 X 3 | 1 |
| 14 | 0405252910 | NEEDLE BEAR K 25X29X10 | 2 |
| 15 | A46032015000 | Collar sleeve | 1 |
| 16 | 78032057044 | PRESSURE PIECE CPL. 08 | 1 |
| 17 | 78132013000 | WASHER 112X118X1.5 | 1 |
| 18 | A46032054000 | Push rod | 1 |
| 30 | 78932010000 | INTERMEDIATE DISC 1MM | 1 |
| 99 | 79332010033 | Clutch plate pack | 1 |

58227

* NEW PART X ON DEMAND

CLUTCH CONTROL

Engine 350 XC-F Factory Ed. 2025 2025

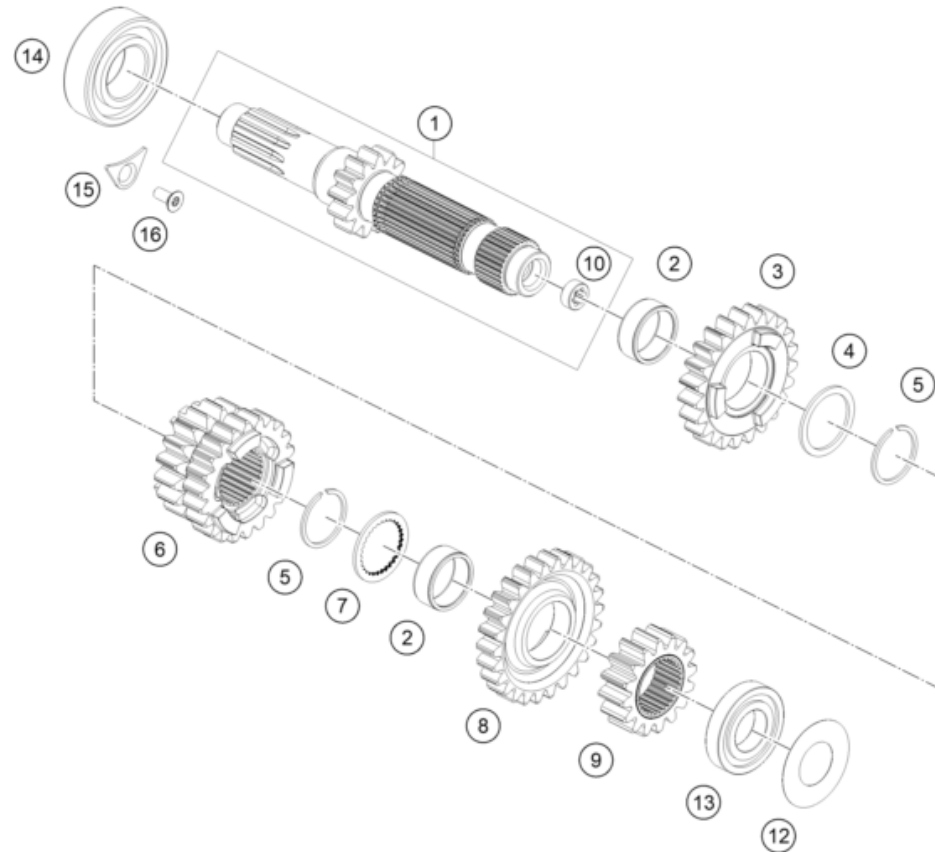


| POS | PARTNUMBER | | PIECE |
|-----|---------------|------------------------------|-------|
| 1 | 79202030044 | MASTER CYLINDER CPL. | 1 |
| 2 | 54802031000 | Clutch lever cmpl. BREMBO 06 | 1 |
| 3 | 79202032044 | REP. KIT PISTON 9MM | 1 |
| 4 | 5480200310030 | COVER HYD. CLUTCH CPL. 2014 | 1 |
| 5 | 54802051000 | VALVE | 1 |
| 6 | 54802052000 | BOLT KPL. | 1 |
| 7 | 54802037000 | PROTECTION CAP 06 | 1 |
| 8 | 54802038100 | Lever screw cmpl. 06 | 1 |
| 9 | 54802046000 | Push rod cmpl. | 1 |
| 10 | 54802005100 | CLAMP CPL. 06 | 1 |
| 11 | 79232063000 | CLUTCH PIPE | 1 |
| 12 | 79232061044 | OUTPUT CYLINDER CPL. | 1 |
| 15 | 79232065100 | Seal, slave cylinder | 1 |
| 16 | 0770300015 | O-ring 30x1.5 NBR 70 | 1 |
| 17 | 79032064000 | BLEEDER SCREW CPL. | 1 |
| 18 | 0603082121 | SEAL RING CU DIN7603- 8X12X1 | 2 |
| 20 | 0025060166 | HH collar screw M6x16 TX30 | 2 |
| 98 | 50329050000 | Vent injektion hydr. clutch | 1 |
| 99 | 00062030000 | Brake fluid DOT5.1 0,25L | 1 |

224603230

58236

* NEW PART X ON DEMAND



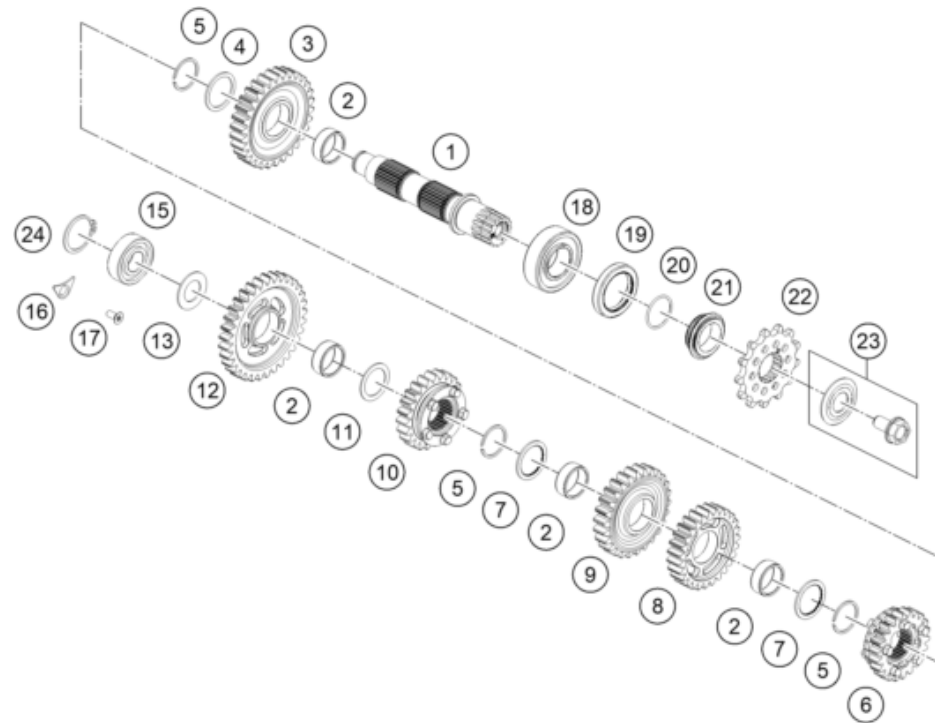
| POS | PARTNUMBER | | PIECE |
|-----|--------------|---------------------------------|-------|
| 1 | A46033601000 | Main shaft compl. | 1 |
| 2 | 0405222611 | NEEDLE BEAR.K 22X26X10 DIVIDED | 2 |
| 3 | A46033505000 | Idler gear 5th gear, teeth=23 | 1 |
| 4 | 54833044000 | STOP DISC 25X31X1,5 | 1 |
| 5 | 0417024000 | CIRCLIP WS24 | 2 |
| 6 | A46033603000 | Sliding gear 3rd/4th gear | 1 |
| 7 | 54833043000 | STOP DISC 25X0,8X30X30X7H | 1 |
| 8 | A46033506000 | Idler gear sixth-gear, teeth=26 | 1 |
| 9 | A46033602000 | Fixed gear 2nd gear | 1 |
| 10 | 79133001010 | bushing | 1 |
| 12 | 77233088000 | SPACER SHIM 21X42X0.2 | 1 |
| 13 | 0625160041 | BALL BEARING TM 16004 C4 | 1 |
| 14 | 0625062056 | Groove ball bearing 6205 C4 NTN | 1 |
| 15 | 75030085000 | RETAINING PLATE F. CS BEARING | 1 |
| 16 | 0019050121S | INT. TORX FLAT HEAD M5X12 T25 | 1 |

234603330

70835

* NEW PART

X ON DEMAND



| POS | PARTNUMBER | | PIECE |
|-----|--------------|-----------------------------------|-------|
| 1 | A46033510000 | Countershaft | 1 |
| 2 | 0405222611 | NEEDLE BEAR.K 22X26X10 DIVIDED | 4 |
| 3 | A46033612000 | Idle gear 2nd gear | 1 |
| 4 | 54833044000 | STOP DISC 25X31X1,5 | 1 |
| 5 | 0417024000 | CIRCLIP WS24 | 3 |
| 6 | A46033516000 | Sliding gear 6th gear, teeth=20 | 1 |
| 7 | 54833043000 | STOP DISC 25X0,8X30X30X7H | 2 |
| 8 | A46033514000 | Idler gear fourth-gear, teeth=26 | 1 |
| 9 | A46033613000 | Idle gear 3rd gear | 1 |
| 10 | A46033515000 | Sliding gear fifth-gear, teeth=23 | 1 |
| 11 | 50333042000 | STOP DISK 22,2X28X1 C | 1 |
| 12 | A46033611000 | Idle gear 1st gear | 1 |
| 13 | 77233020000 | STOP DISK 17,2X30X1,3 | 1 |
| 15 | 0625062038 | Ballbearing NTN 6203JR2CM21 | 1 |
| 16 | 75030085000 | RETAINING PLATE F. CS BEARING | 1 |
| 17 | 0019050121S | INT. TORX FLAT HEAD M5X12 T25 | 1 |
| 18 | 49030023000 | cylindrical roller bearing NJ205 | 1 |
| 19 | 0760324571 | SHAFT SEAL RING 32X45X7 BSLNBR | 1 |
| 20 | 0770020220 | O-ring 25,12X1,78 NBR70 | 1 |
| 21 | 78133014000 | SPACER SLEEVE COUNTER | 1 |
| 22 | A46033029013 | Front sprocket 13 teeth | x |
| 22 | A46033029014 | Front sprocket 14 teeth | 1 |
| 23 | 59033034044 | SCREW 10.9+SPRING WASHER | 1 |
| 24 | 0471170015 | CIRCLIP DIN 0471-17X1, 5 | 1 |

237903360

70836

* NEW PART

X ON DEMAND

SHIFTING MECHANISM

Engine 350 XC-F Factory Ed. 2025 2025



| POS | PARTNUMBER | | PIECE |
|-----|---------------|--|-------|
| 1 | A46034005033 | Shift shaft cpl. | 1 |
| 3 | 56534013100 | TENSIONING SPRING 0,8MM | 1 |
| 4 | 54634020000 | SPRING GUIDE | 1 |
| 5 | 54834014000 | RETURN SPRING 03 | 1 |
| 6 | 54634050000 | STOP DISK 14X30X1 | 1 |
| 7 | 54632095000 | needle sleeve HK 1412 14x20x12 | 2 |
| 8 | 0760142460 | radial shaft seal 14x24x6 B | 1 |
| 9 | 79234031100 | Shift lever cpl. | 1 |
| 10 | 50233041500 | Pair nordlock washer M6 | 1 |
| 11 | 0024060156S | HH collar screw M6x15 TX30 | 1 |
| 12 | A46034503000 | shift fork 1.-3. gear | 1 |
| 13 | A46034502000 | shift fork 2.-4. gear | 1 |
| 14 | A46034019000 | Shift fork shaft (L=93 mm) | 1 |
| 15 | 0402061480 | NEEDLE ROLLER DIN5402 6X14,8 | 3 |
| 16 | 0025060306S | HH collar screw M6x30 TX30 | 1 |
| 17 | A46034015000 | Shift star cpl. | 1 |
| 18 | 0410002500700 | Grooved ball bearing 6805 JR C3 | 1 |
| 19 | A46034512000 | Shift drum 6 gear | 1 |
| 20 | 79234012010 | FRICTION BEARING CONTROLLER | 1 |
| 21 | 79234012020 | Magnet bracket cpl. | 1 |
| 22 | 79211023000 | gear position sensor | 1 |
| 23 | 0025050146S | Hex coll. screw M5x14 ISA30 self-locking | 2 |
| 24 | 0025050256S | HH collar screw M5x25 TX30 | 1 |
| 25 | 0021050003 | washer DIN 9021 A - 5.3 | 1 |
| 26 | A46034024044 | Detent arm cpl. | 1 |
| 27 | 54634052300 | SLEEVE FOR LOCKING LEVER | 1 |
| 28 | 54834023000 | LOCKING LEVER SPRING 03 | 1 |
| 29 | A46034020000 | Shift fork shaft (L=66 mm) | 1 |
| 30 | A46034501000 | shift fork 5.-6. gear | 1 |
| 31 | A46011024000 | Shield gear position sensor | 1 |
| 32 | 58038023400 | Compression spring L=25mm D=0.9mm | 4 |

234603410

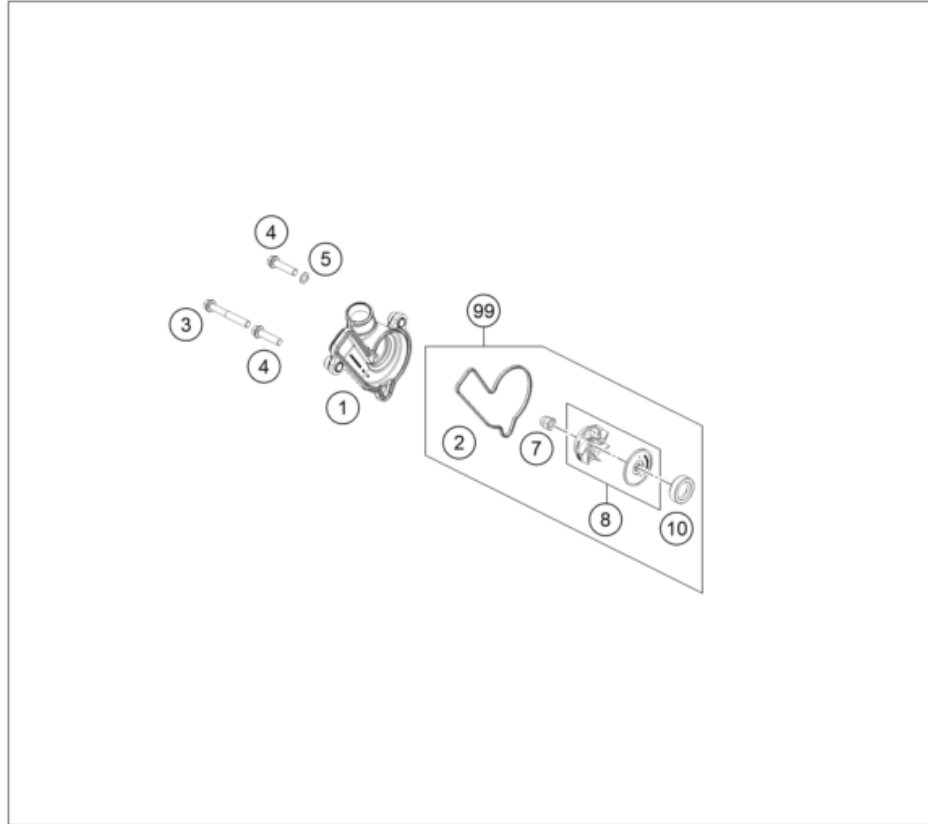
59954

* NEW PART

X ON DEMAND

WATER PUMP

Engine 350 XC-F Factory Ed. 2025 2025



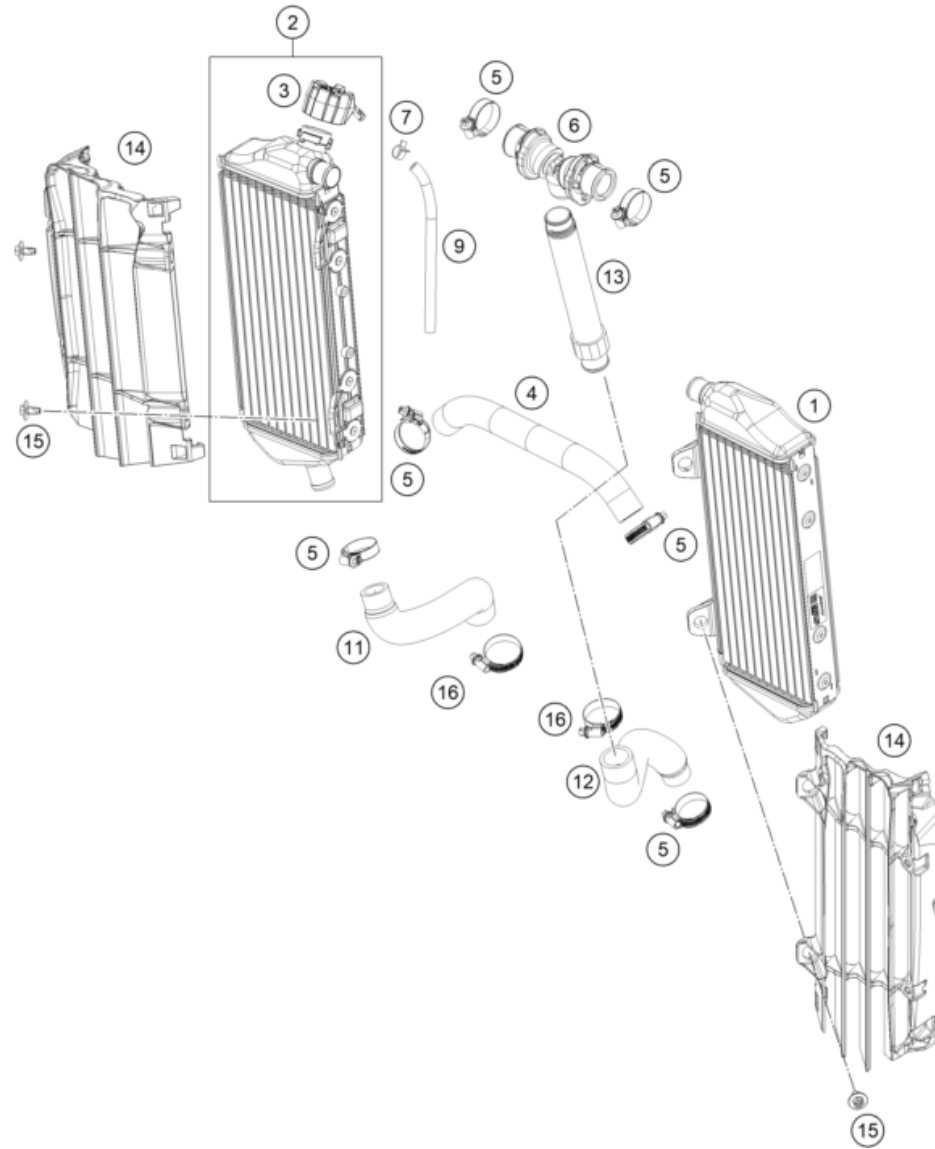
| POS | PARTNUMBER | | PIECE |
|-----|--------------|--------------------------------|-------|
| 1 | A46035052000 | water pump cover | 1 |
| 2 | A46035053000 | Water pump cover seal | 1 |
| 3 | 0025060456 | HH COLLAR SCREW M6X45 TX30 | 1 |
| 4 | 0025060256 | HH collar screw M6x25 TX30 | 2 |
| 5 | 0603061001 | CU-seal ring DIN7603-6X10X1 | 1 |
| 7 | 61230045000 | CAP NUT M6 STAINLESS STEEL | 1 |
| 8 | 79235055044 | WATER PUMP WHEEL CPL. | 1 |
| 10 | 07601530451 | SHAFT SEAL RING 15X30X4.5 BAUD | 1 |
| 99 | a46035055015 | Rep. Kit Water Pump | 1 |

224603510

58256

* NEW PART

X ON DEMAND



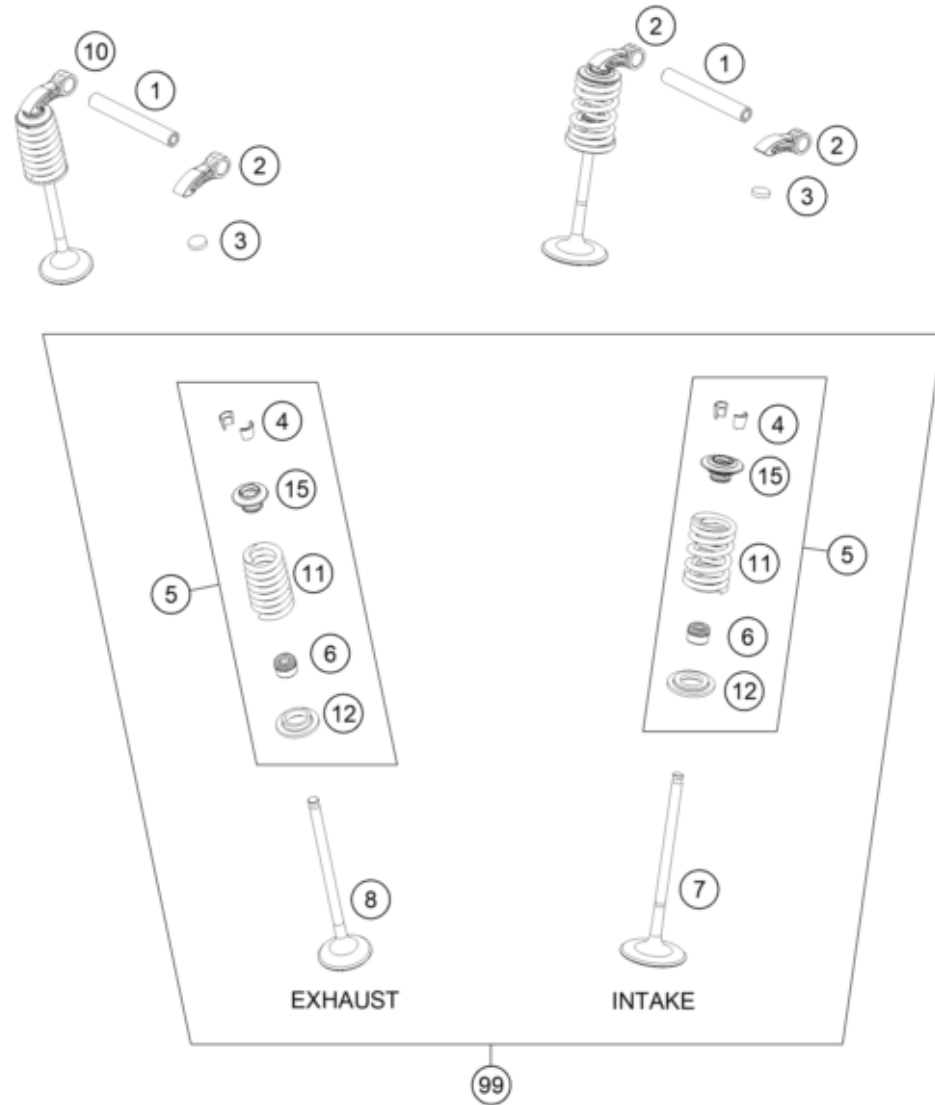
| POS | PARTNUMBER | | PIECE |
|-----|----------------|---------------------------------------|-------|
| 1 | A46035007000 | Radiator left | 1 |
| 2 | A46035008000 | Radiator right | 1 |
| 3 | A46035009000 | Radiator cap | 1 |
| 4 | A46035025000 | Pre-formed hose radiator left/right | 1 |
| 5 | 0310000902900 | Hose clip 18-29 | 6 |
| 6 | A46035071044 | Y-piece compl. | 1 |
| 7 | 59007017000 | CLAMP YDNAC 10096F (9,6MM) | 1 |
| 9 | 50335030001 | PVC-hose 6X9 | x |
| 11 | A46035024000 | Pre-formed hose engine/radiator right | 1 |
| 12 | A46035023000 | Pre-formed hose, engine/riser | 1 |
| 13 | A46035073033 | Screw-in nozzle | 1 |
| 14 | A46035036044C1 | Radiator protection set, black | 1 |
| 15 | 0900000601203 | HH ISR collar screw M6x12-10.9 ISA30 | 4 |
| 16 | 0310000903200 | Hose clip 20-32 | 2 |

224603530

62511

* NEW PART

X ON DEMAND



| POS | PARTNUMBER | | PIECE |
|-----|--------------|-----------------------|-------|
| 1 | 77236056100 | Cam follower shaft | 2 |
| 2 | 77236060100 | VALVE LEVER | 3 |
| 3 | 77036035172 | SHIM D=8,9/1,72 | x |
| 3 | 77036035176 | SHIM D=8,9/1,76 | x |
| 3 | 77036035180 | SHIM D=8,9/1,80 | x |
| 3 | 77036035184 | SHIM D=8,9/1,84 | x |
| 3 | 77036035188 | SHIM D=8,9/1,88 | x |
| 3 | 77036035192 | SHIM D=8,9/1,92 | x |
| 3 | 77036035196 | SHIM D=8,9/1,96 | x |
| 3 | 77036035200 | SHIM D=8,9/2,00 | x |
| 3 | 77036035204 | SHIM D=8,9/2,04 | x |
| 3 | 77036035208 | SHIM D=8,9/2,08 | x |
| 3 | 77036035212 | SHIM D=8,9/2,12 | x |
| 3 | 77036035216 | SHIM D=8,9/2,16 | x |
| 3 | 77036035220 | SHIM D=8,9/2,20 | x |
| 3 | 77036035224 | SHIM D=8,9/2,24 | x |
| 3 | 77036035228 | SHIM D=8,9/2,28 | x |
| 3 | 77036035232 | SHIM D=8,9/2,32 | x |
| 3 | 77036035236 | SHIM D=8,9/2,36 | x |
| 3 | 77036035240 | SHIM D=8,9/2,40 | x |
| 3 | 77036035244 | SHIM D=8,9/2,44 | x |
| 3 | 77036035248 | SHIM D=8,9/2,48 | x |
| 3 | 77036035252 | SHIM D=8,9/2,52 | x |
| 3 | 77036035256 | SHIM D=8,9/2,56 | x |
| 3 | 77036035260 | SHIM D=8,9/2,60 | x |
| 4 | 77036033000 | valve collet | 8 |
| 5 | A47036028010 | valve spring kit | 2 |
| 6 | 77036027000 | VALVE-STEM SEALING 05 | 4 |
| 7 | A47036030000 | Inlet valve | 2 |
| 8 | A47036031000 | Exhaust valve | 2 |
| 10 | A47036060000 | Cam follower | 1 |
| 11 | 79236028000 | VALVE SPRING | 4 |
| 12 | 79036236100 | Valve spring washer | 4 |
| 15 | 79036232000 | VALVE SPRING RETAINER | 4 |
| 99 | A47036030010 | valve kit | 1 |

23A4703610

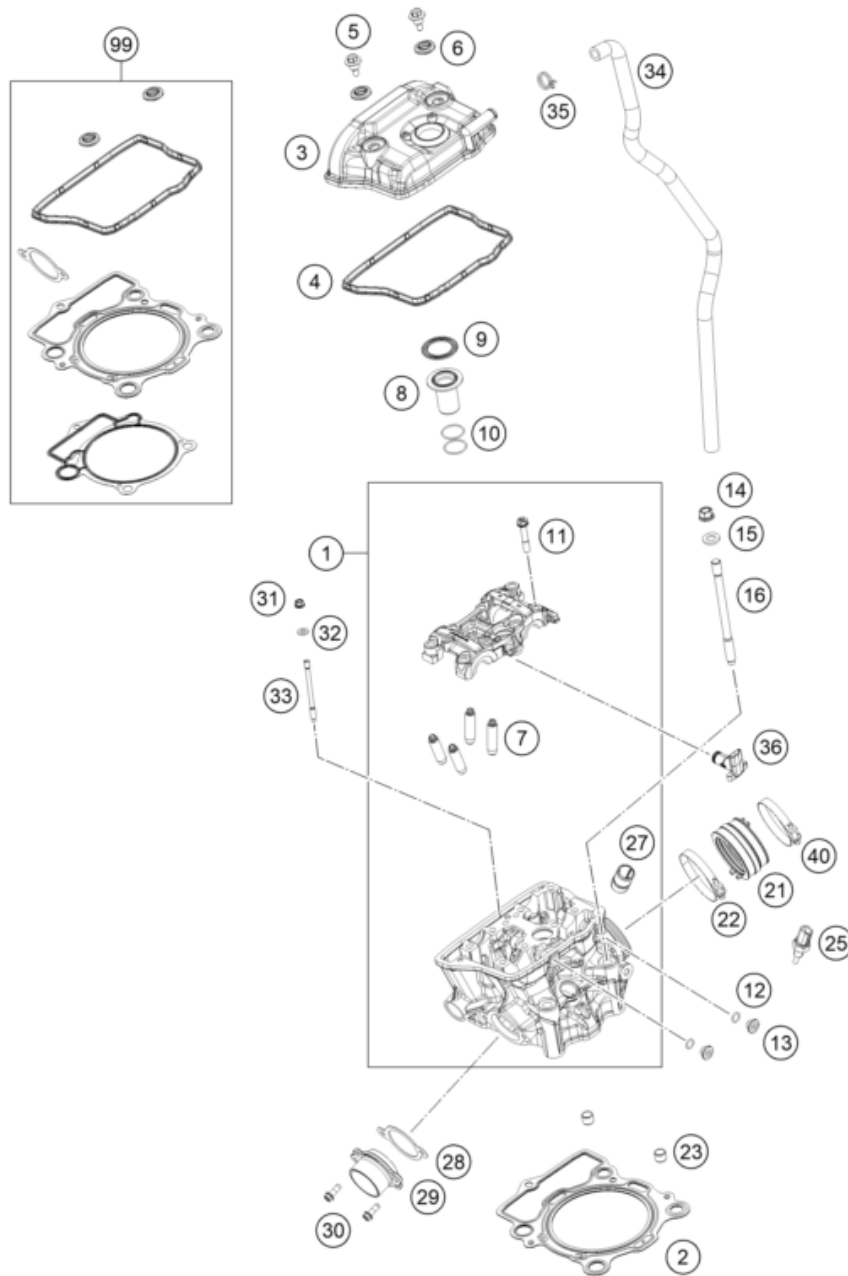
60279

* NEW PART

X ON DEMAND

CYLINDER HEAD

Engine 350 XC-F Factory Ed. 2025 2025



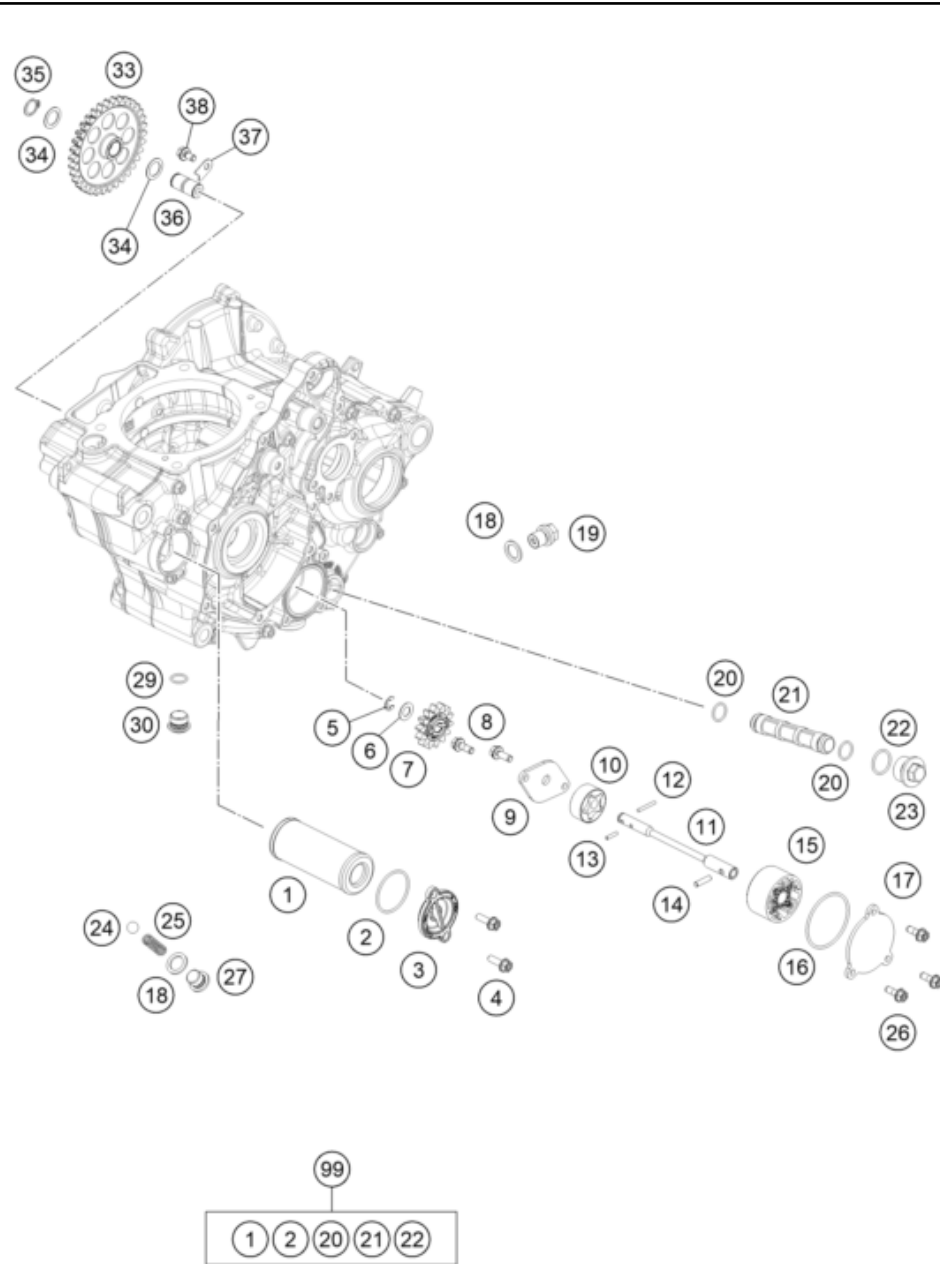
224603630

| POS | PARTNUMBER | | PIECE |
|-----|----------------|-------------------------------|-------|
| 1 | A47036020044 | Cylinder head compl. | 1 |
| 2 | 79330036086 | Cylinder head gasket | 1 |
| 3 | A47036052000C1 | valve cover | 1 |
| 4 | A46036053000 | Valve cover seal | 1 |
| 5 | 77336054150 | VALVE COVER SCREW | 2 |
| 6 | 77036054150 | RUBBER GASKET FOR SCREW | 2 |
| 7 | 79136026001 | Valve guide | 4 |
| 8 | A46036075000 | Spark plug shaft insert | 1 |
| 9 | 77336053050 | GASKET SPARK-PLUG SHAFT | 1 |
| 10 | 07702300151 | O-ring 23x1.5 Viton | 2 |
| 11 | 0000150703800 | Collar screw M7x1x38 | 8 |
| 12 | 0770010010 | o-ring 10.00x1.00 NBR70 | 2 |
| 13 | 77236080000 | screw plug | 2 |
| 14 | 77336088210 | COLLAR NUT M10X1,25 SW13 | 4 |
| 15 | 77336089010 | washer 19x10.5x2.5 | 4 |
| 16 | 0900000814500 | Stud M10x1,25 | 4 |
| 21 | 79536044000 | rubber sleeve | 1 |
| 22 | 61036047000 | Hose clamp GEMI 63mm 05 | 1 |
| 23 | 58530014100 | dowl sleeve 10.2x12.5x10 | 2 |
| 25 | 79435047000 | Water temperature sensor | 1 |
| 27 | 58030010200 | SCREW IN NOZZLE M20X1,5 | 1 |
| 28 | A46036041000 | Exhaust pipe flange gasket | 1 |
| 29 | A46036039000 | Engine flange | 1 |
| 30 | 0025060166S | HH collar screw M6x16 TX30 SL | 2 |
| 31 | 77336088106 | COLLAR NUT M6X1 SW8 | 1 |
| 32 | 0125060003 | WASHER DIN0125-A 6,4 | 1 |
| 33 | 0900000607900 | Stud M6 | 1 |
| 34 | 79030087000 | Engine vent hose | 1 |
| 35 | 58431082300 | CLAMP YDNAC 10173 (18MM) | 1 |
| 36 | A46036081000 | Angle piece, engine breather | 1 |
| 40 | 77236048000 | Hose clip GEMI 58 | 1 |
| 99 | A47030097000 | Gasketkit cylinder | x |

59975

* NEW PART

X ON DEMAND



| POS | PARTNUMBER | | PIECE |
|-----|--------------|--|-------|
| 1 | 77338005100 | Oil Filter 07 | 1 |
| 2 | 07703305178 | O-RING 33,05X1,78 | 1 |
| 3 | 77338041200 | OIL FILTER COVER 08 | 1 |
| 4 | 0025060166 | HH collar screw M6x16 TX30 | 2 |
| 5 | 0799060000 | TAB WASHER DIN6799-RS 6,0 | 1 |
| 6 | 58038007755 | STOP DISK 8,1 X 15 X 0,5 | 1 |
| 7 | 77038001200 | Oil pump gear | 1 |
| 8 | 0025050146S | Hex coll. screw M5x14 ISA30 self-locking | 2 |
| 9 | A48038003000 | Oil pump cover | 1 |
| 10 | 59038011112 | OILPUMP ROTOR-SET 12MM CPL. | 1 |
| 11 | 79238002100 | Oil pump shaft | 1 |
| 12 | 0402251980 | NEEDLEROL.DIN5402 NRA 2,5X19,8 | 1 |
| 13 | 0402251180 | NEEDLE ROLLER DIN5402 2,5X11,8 | 1 |
| 14 | 0402041580 | needle roller NRB 4x15.8 G2 | 1 |
| 15 | 61238011100 | ROTOR SET 22MM | 1 |
| 16 | 0770440020 | O-RING 44,00X2,00 VITON | 1 |
| 17 | 79238004000 | OIL PUMP COVER LEFT | 1 |
| 18 | 58038022000 | CU-seal ring DIN7603-12X18X1.5 | 2 |
| 19 | 58030021100 | oil drain plug with magnet | 1 |
| 20 | 07701250151 | O-RING 12,5X1,5 VITON V75 | 2 |
| 21 | 59038016200 | Oil screen | 1 |
| 22 | 0770020170 | O-RING 17,17X1,78 GLO | 1 |
| 23 | 59038017100 | PLUG M20X1,5 WS=13 | 1 |
| 24 | 0401090003 | BALL DIN5401-9 | 1 |
| 25 | 58038023300 | PRESSURE SPRING L=25MM D=1MM | 1 |
| 26 | 0025050146S | Hex coll. screw M5x14 ISA30 self-locking | 3 |
| 27 | 78036024000 | PLUG SCREW SAS M12X1,5 | 1 |
| 29 | 0770110015 | O-ring 11x1.5 VITON | 1 |
| 30 | 78036081100 | Screw plug M14x1,5 | 1 |
| 33 | 79238006300 | Oil pump intermediate gear | 1 |
| 34 | 0988121805 | SHIM WASHER DIN0988-12X18X0,50 | 2 |
| 35 | 0471120010 | retaining ring DIN 471 12x1 | 1 |
| 36 | 77038013100 | BUSHING PIN | 1 |
| 37 | 77238061050 | AXIAL-CIRCLIP | 1 |
| 38 | 0025050106S | Hex coll. screw M5x10 ISA30 self-locking | 1 |
| 99 | 00050000083 | OILFILTER-GASKET SET 350 SX-F | x |

224603810

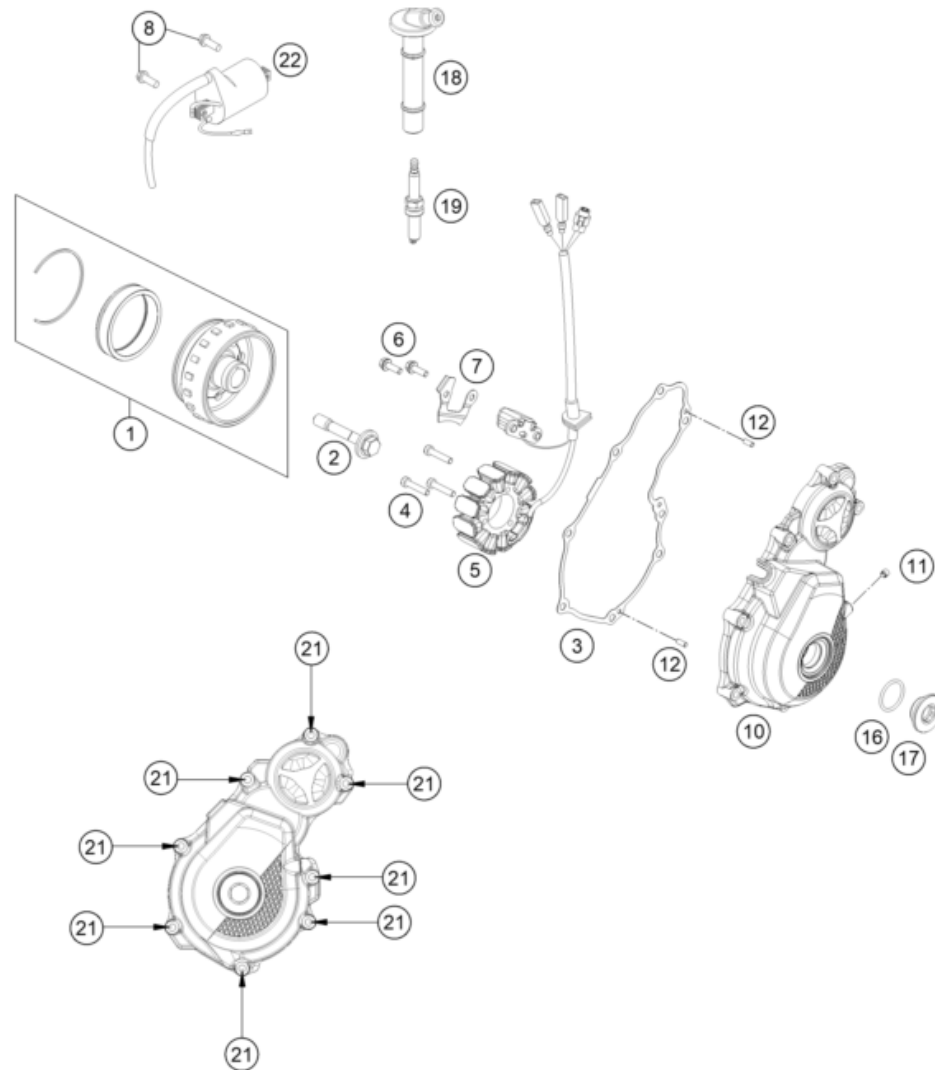
58314

* NEW PART

X ON DEMAND

IGNITION SYSTEM

Engine 350 XC-F Factory Ed. 2025 2025



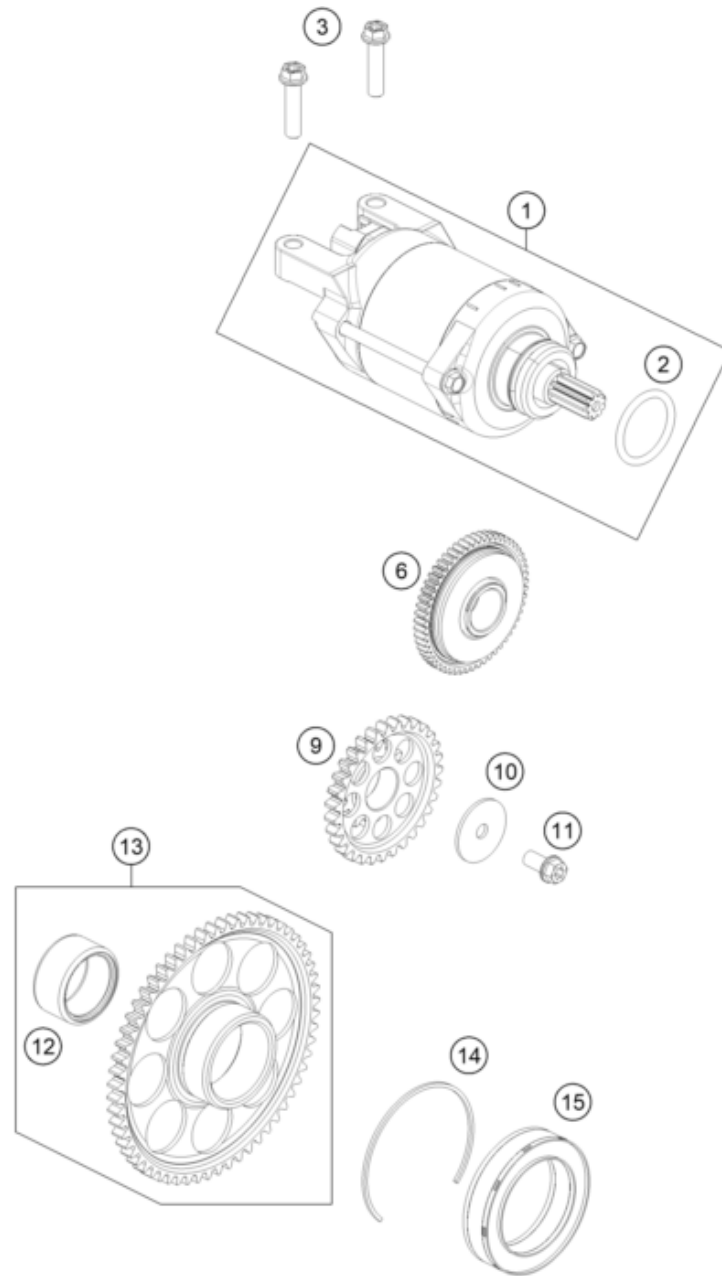
| POS | PARTNUMBER | | PIECE |
|-----|----------------|--|-------|
| 1 | 79239005044 | ROTOR EFI CPL. | 1 |
| 2 | 77339010100 | FLYWHEEL SCREW | 1 |
| 3 | A46030040000 | Ignition cover gasket | 1 |
| 4 | 0012050303S | Cap head screw DIN 6912 - M5x30 self loc | 3 |
| 5 | 79239004200 | Stator | 1 |
| 6 | 0912050163S | Cap head screw DIN912 - M5x16 - 8.8 | 2 |
| 7 | A46030002050 | Cable retainer | 1 |
| 8 | 0025060166 | HH collar screw M6x16 TX30 | 2 |
| 10 | A46030002000C1 | Ignition cover | 1 |
| 11 | 0913050063S | THREAD PIN DIN 913 M5X6 | 1 |
| 12 | 0402040980 | Needle roll.DIN5402 NRB 4X9.8 | 2 |
| 16 | 07700240251 | o-ring 24.00x2.50 Viton | 1 |
| 17 | 7723000216030 | SCREW PLUG M24X1,5 | 1 |
| 18 | 79139090000 | Resistor Plug Cover | 1 |
| 19 | 77839093000 | spark plug | 1 |
| 21 | 0025060306 | HH collar screw M6x30 TX30 | 8 |
| 22 | 58439006000 | Ignition coil | 1 |

224603910

58316

* NEW PART

X ON DEMAND



| POS | PARTNUMBER | | PIECE |
|-----|-------------|--|-------|
| 1 | 79240001000 | E-STARTER ENGINE CPL. | 1 |
| 2 | 0770250030 | O-RING 25,00X3,00 NBR 70 | 1 |
| 3 | 0025060256 | HH collar screw M6x25 TX30 | 2 |
| 6 | 79240016100 | Torque limiter | 1 |
| 9 | 79240022100 | Intermediate starting gear | 1 |
| 10 | 79240017000 | STOP DISC 6X26X1,5 | 1 |
| 11 | 0025060126S | Hex collar screw M6x12 ISA30 self-lockin | 1 |
| 12 | 0618253216 | NEEDLE BUSH HK2516 25/32/16 02 | 1 |
| 13 | 79240020033 | freewheel gear cpl. | 1 |
| 14 | 0472057150 | CIRCLIP DIN0472-57X1,50 | 1 |
| 15 | 79240026000 | FREEWHEEL | 1 |

224604010

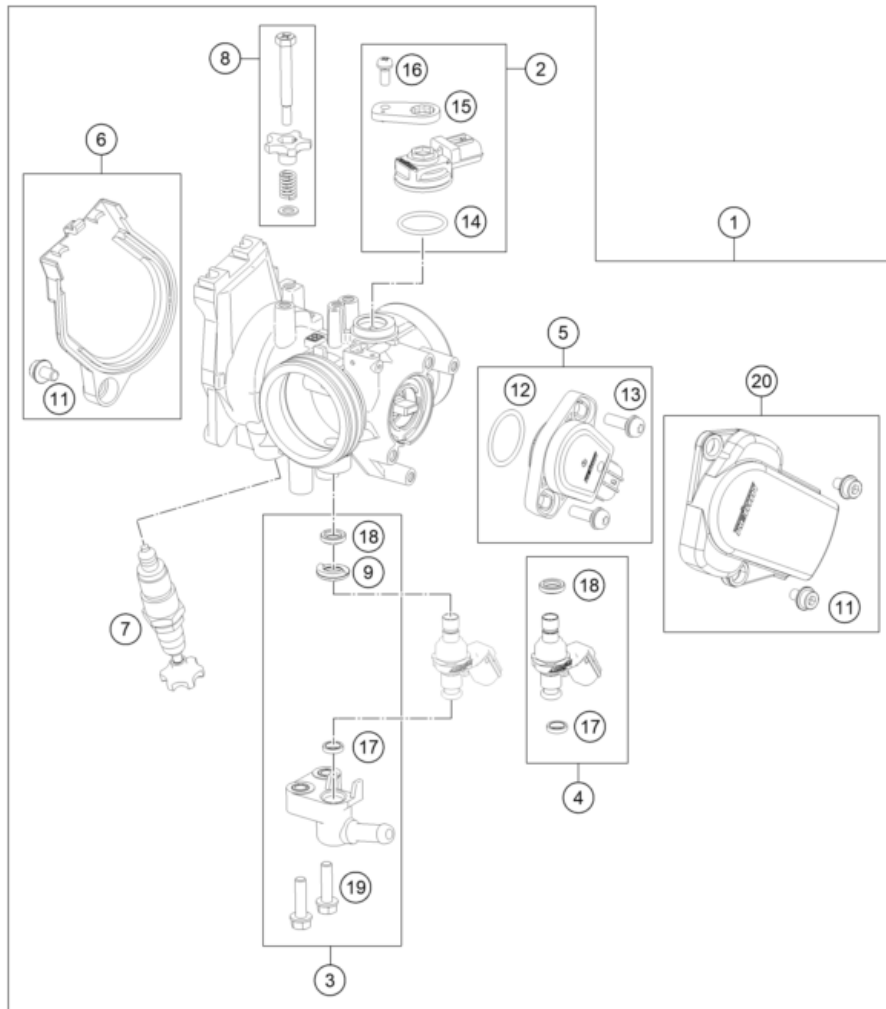
59480

* NEW PART

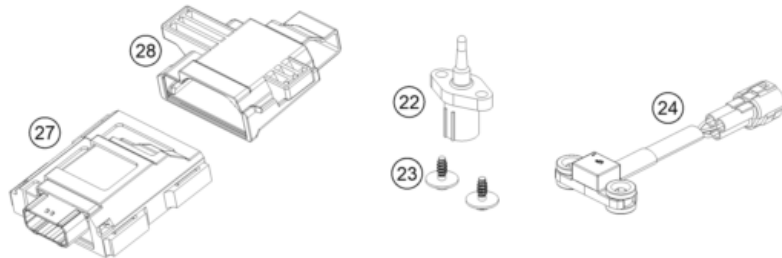
X ON DEMAND

THROTTLE BODY

Engine 350 XC-F Factory Ed. 2025 2025



| POS | PARTNUMBER | | PIECE |
|-----|--------------|--------------------------------|-------|
| 1 | A46041001000 | Throttle body | 1 |
| 2 | 77741085044 | MAP SENSOR CPL. | 1 |
| 3 | 79041013044 | FUEL PIPE CPL. | 1 |
| 4 | 79041023144 | Injector cml. | 1 |
| 5 | 79041077044 | TPS CPL. | 1 |
| 6 | 79141056044 | DKK Cover cpl. | 1 |
| 7 | 79041070000 | STARTER VALVE CPL. | 1 |
| 8 | 77741060044 | IDLING ADJUSTING SCREW CPL. | 1 |
| 9 | 79041023030 | SEAL RING | 1 |
| 11 | 79041056020 | SPECIAL SCREW | 3 |
| 12 | 75041077110 | O-RING | 1 |
| 13 | 61041077020 | SCREW THROTTLE POS. SENSOR | 2 |
| 14 | 75041085010 | O-RING | 1 |
| 15 | 77741085020 | PLATE | 1 |
| 16 | 81241085030 | SPECIAL SCREW | 1 |
| 17 | 60341023020 | O-RING | 1 |
| 18 | 75041023010 | SEAL RING | 1 |
| 19 | 79041013060 | SPECIAL SCREW M5X20 | 2 |
| 20 | 79141078044 | TPS Cover cpl. | 1 |
| 22 | 61041080000 | Ambient-air temperature sensor | 1 |
| 23 | 0081050181 | SCREW FOR PLASTIC K50X18 T20 | 2 |
| 24 | A46041088000 | Roll-over sensor | 1 |
| 27 | 79641031000 | Engine control unit | 1 |
| 28 | A46041031050 | ECU rubber strap | 1 |



23A4604111

58317

* NEW PART

X ON DEMAND

A large, empty rectangular box with a thin black border, occupying the majority of the page. It is intended for the user to write notes.

A large, empty rectangular box with a thin black border, occupying the majority of the page below the headers. It is intended for the user to write notes.

A large, empty rectangular box with a thin black border, occupying the majority of the page below the headers. It is intended for the user to write notes.

KTM.COM



089358YEN

KTM Sportmotorcycle GmbH
5230 Mattighofen, Austria
www.ktm.com



Art. Nr.: 089358YEN 31. Juli 2024