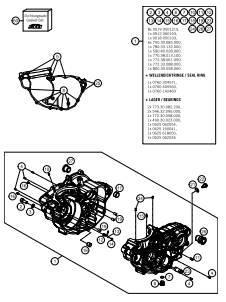
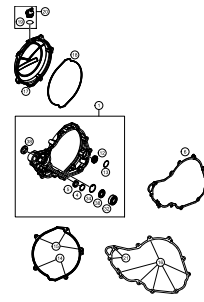
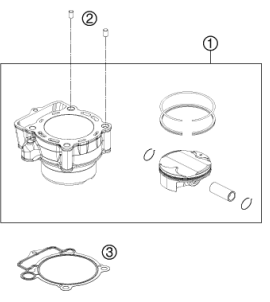
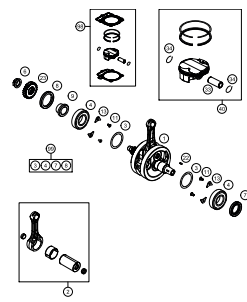
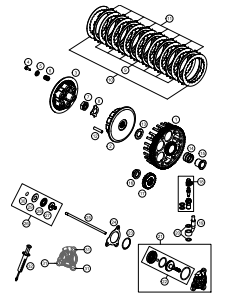
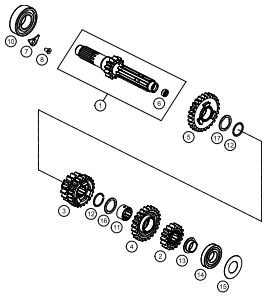
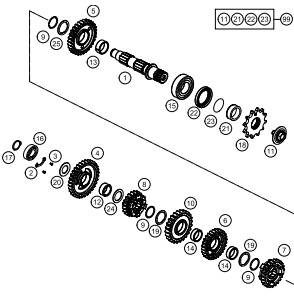
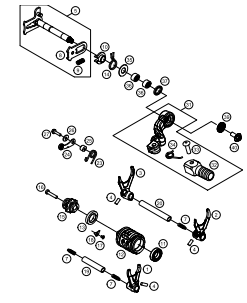
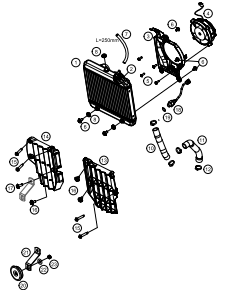
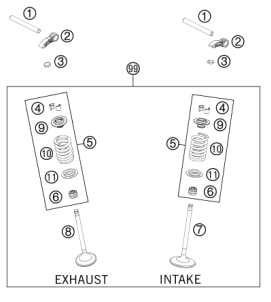
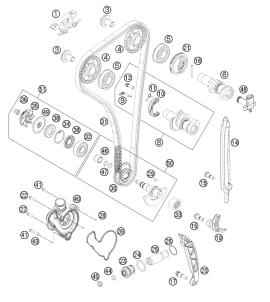
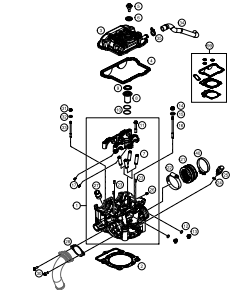
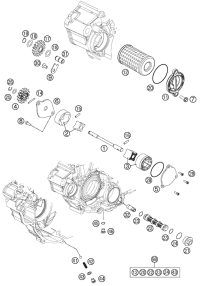
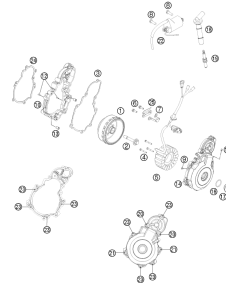
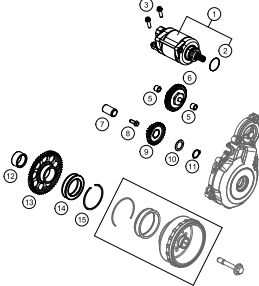
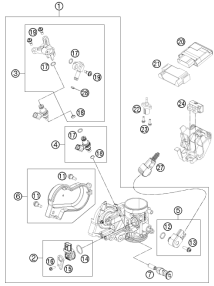



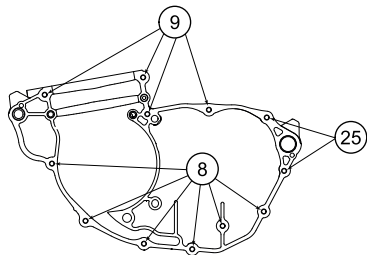
FREERIDE 350 2016

ART.-NR.: 3CM089370PEN

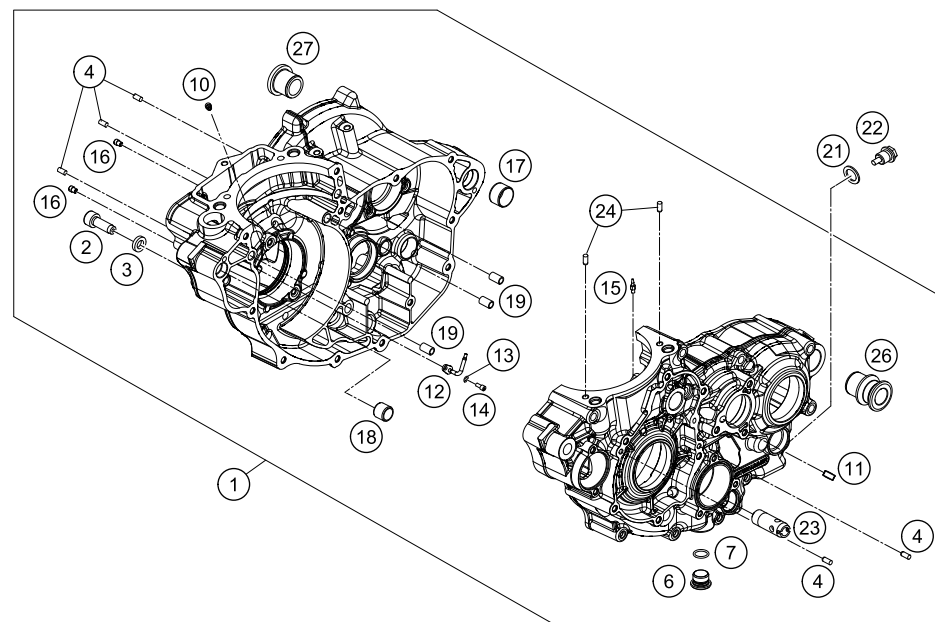


<p>ENGINE CASE</p>  <p>3</p>	<p>CLUTCH COVER</p>  <p>4</p>	<p>CYLINDER</p>  <p>5</p>	<p>CRANKSHAFT, PISTON</p>  <p>6</p>
<p>CLUTCH</p>  <p>7</p>	<p>TRANSMISSION I - MAIN SHAFT</p>  <p>8</p>	<p>TRANSMISSION II - COUNTERSHAFT</p>  <p>9</p>	<p>SHIFTING MECHANISM</p>  <p>10</p>
<p>COOLING SYSTEM</p>  <p>11</p>	<p>VALVE DRIVE</p>  <p>EXHAUST INTAKE</p> <p>12</p>	<p>TIMING DRIVE</p>  <p>13</p>	<p>CYLINDER HEAD</p>  <p>15</p>

<p>LUBRICATING SYSTEM</p>  <p style="text-align: right;">16</p>	<p>IGNITION SYSTEM</p>  <p style="text-align: right;">17</p>	<p>ELECTRO STARTER</p>  <p style="text-align: right;">18</p>	<p>THROTTLE BODY</p>  <p style="text-align: right;">19</p>
	<div style="display: flex; align-items: center;">  <p> All information contained is without obligation. KTM Sportmotorcycle GmbH particularly reserves the right to modify any equipment, technical specifications, prices, colors, shapes, materials, services, service work, constructions, equipment and the like so as to adapt them to local conditions or to cancel any of the above items, all without previous announcement and without giving reasons. KTM may stop manufacturing certain models without previous notice. KTM shall not be held liable for any deviations of availability and/or ability to deliver, illustrations, descriptions, printing and/or other errors. The illustrated models partly contain extra equipment, which is not applied to standard models. © by KTM Sportmotorcycle GmbH, Mattighofen AUSTRIA; All rights reserved; Reprint, also in extracts, with written allowance of KTM Sportmotorcycle GmbH, Mattighofen only. </p> </div>		



- | | | | | | | | |
|----|----|----|----|----|----|----|----|
| 2 | 3 | 4 | 6 | 7 | 10 | 11 | 12 |
| 13 | 14 | 15 | 16 | 17 | 18 | 19 | 23 |
| | | | | 24 | 26 | 27 | |
- 8x 0019 050121S,
 1x 0912 060163,
 1x 0018 050103,
 6x 750.30.085.000,
 1x 780.33.132.000,
 1x 590.40.028.000,
 1x 770.38.013.100,
 1x 772.38.061.050,
 1x 772.33.088.000,
 1x 800.30.058.060
- + WELLENDICHTRINGE / SEAL RING**
- 1x 0760 324571,
 1x 0760 405560,
 1x 0760 142460
- + LAGER / BEARINGS**
- 2x 773.30.082.200,
 2x 546.32.095.000,
 1x 772.30.058.000,
 1x 490.30.023.000,
 1x 0625 062054,
 1x 0625 160041,
 1x 0625 618050,
 1x 0625 062035



167203010

POS	PARTNUMBER	PARTNAME	PIECE
1*	72030100244	ENGINE CASE CPL.	1
2	58030080000	LOCATING SCREW M8 L=23	1
3	58030081000	CU-SEAL RING 8 X 14 X 3	1
4	0402040980	NEEDLE ROL.DIN5402 NRB 4X9,8	5
6	78036081000	HOLDING BOLT M14X1,5	1
7	0770110015	O-RING 1,5x11 SILICON	1
8	0025060556	HH COLLAR SCREW M6X55 TX30	6
9	0025060656	HH COLLAR SCREW M6X65 TX30	4
10	80030058060	OIL JET "60" M4	1
11	77230066000	THROTTLE M5X10X0,5	1
12	77830064050	OIL JET CURVED " 50 "	1
13	0770035020	O-RING 3,5X2,00 NBR	1
14	0912040103	AH.SCREW DIN0912-M 4X10	1
15	60030063050	OIL JET 50 05	1
16	59030058000	JET 100 BING(44-031/180) M4	2
17	59030024000	DOWEL 17 X 19 X 12	1
18	54630027000	DOWEL BUSHING 13,8X11X12	1
19	59030023000	DOWEL 6X8X11,5	3
21	58038022000	CU-SEAL RING DIN7603-12X18X1,5	1
22	58030021000	OILDRAIN PLUG W.MAG. M 12X1,5	1
23	77038022000	OIL INTAKEPIPE	1
24	0402050080	CYLINDER ROLLER ZRO 5X8	2
25	0025060856	HH COLLAR SCREW M6X85 TX30	2
26	72030010000	CASE BUSH L/S	1
27	72030011000	CASE BUSH R/S	1
60	77230099000	GASKET SET 350 SX-F	1

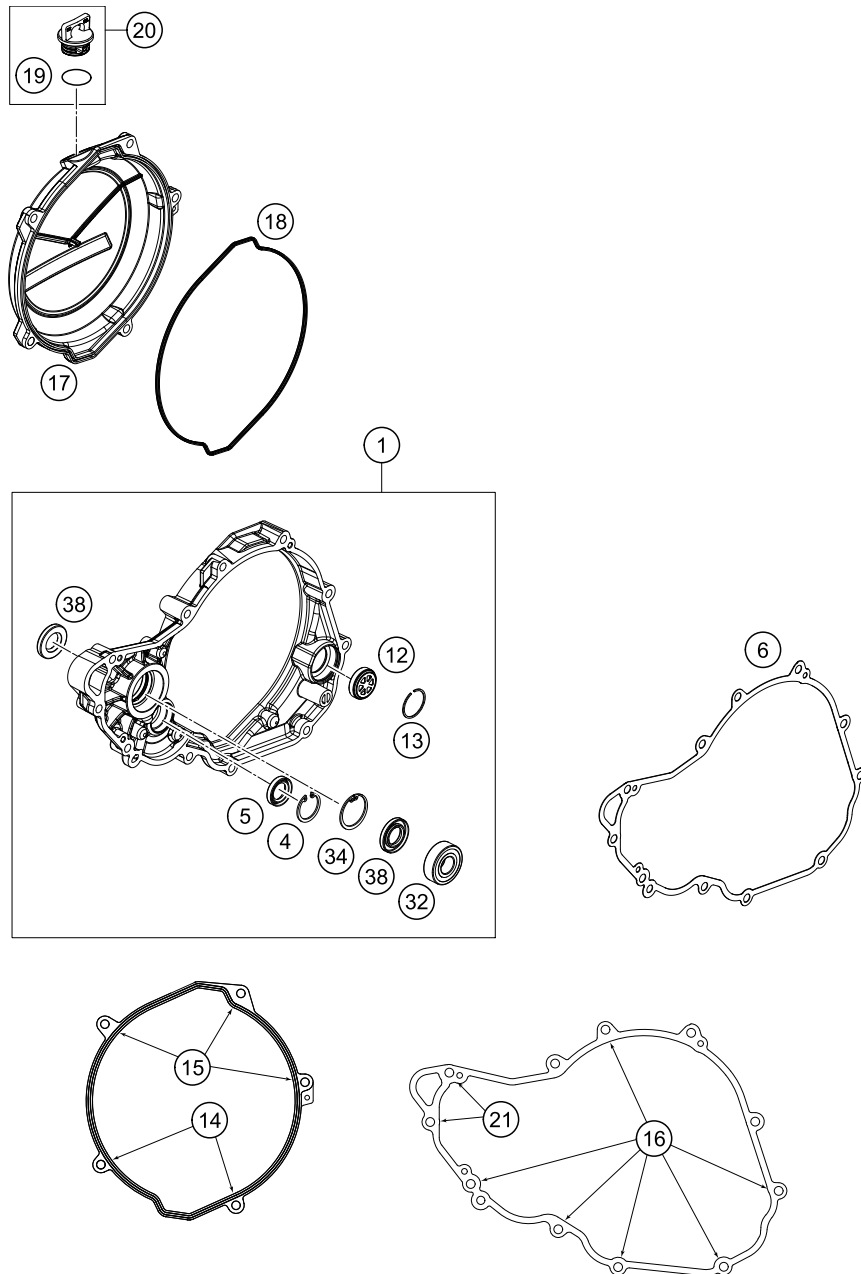
C167203010

* NEW PART

X ON DEMAND

CLUTCH COVER

FREERIDE 350 2016



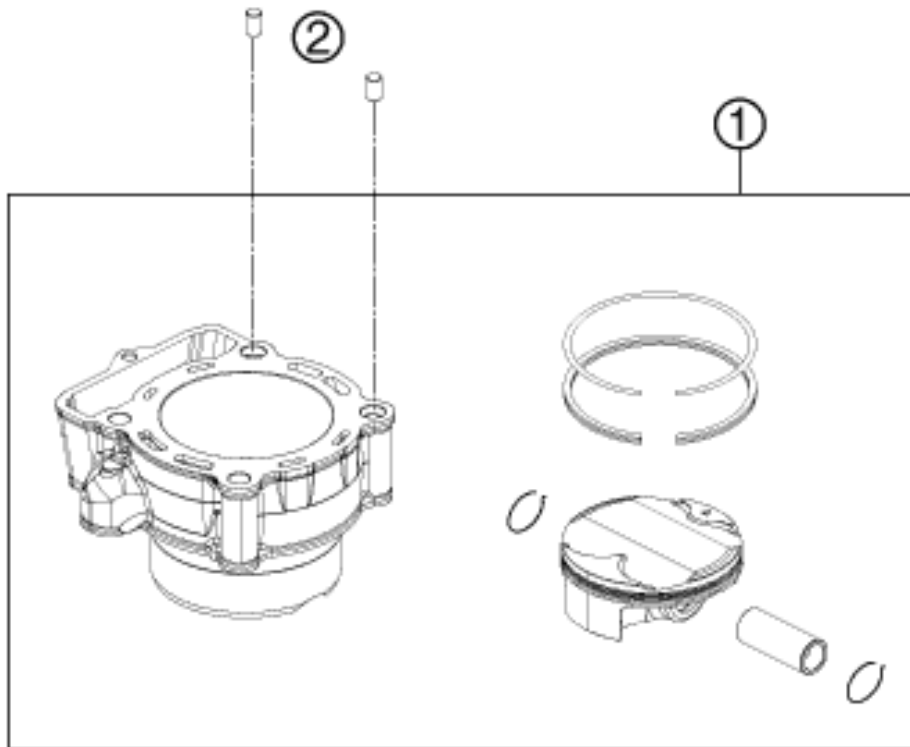
POS	PARTNUMBER	PARTNAME	PIECE
1	77730001144	CLUTCH COVER CPL.	1
4	0472024120	CIRCLIP DIN0472-24X1.2	1
5	0760142450	SHAFT SEAL RING 14X24X5 VITON	1
6	77730025000	CLUTCH COVER GASKET	1
12*	59030019200	OIL SIGHT GLASS	1
13	61030019050	CIRCLIP OIL LEVEL GLASS 03	1
14	0025060206	HH COLLAR SCREW M6X20 TX30	2
15	0025060456	HH COLLAR SCREW M6X45 TX30	3
16	0025060256	HH COLLAR SCREW M6X25 TX30	8
17	7723002600015	CLUTCH COVER OUTSIDE	1
18	77230027000	GASKET FOR OUTER CLUTCH COVER	1
19	0770191015	O-RING 19,00X3,00 NBR	1
20	58030120000	% OIL FILLER CAP M24x3 W. O-R	1
21	0025060406	HH COLLAR SCREW M6X40 TX30	2
32	0625062022	BALL BEARING 6202 C0 2	1
34	0472300120	CIRCLIP 30X1,2	1
38	07601530451	SHAFT SEAL RING 15X30X4.5 BAUD	2

167203020

C167203020

* NEW PART

X ON DEMAND



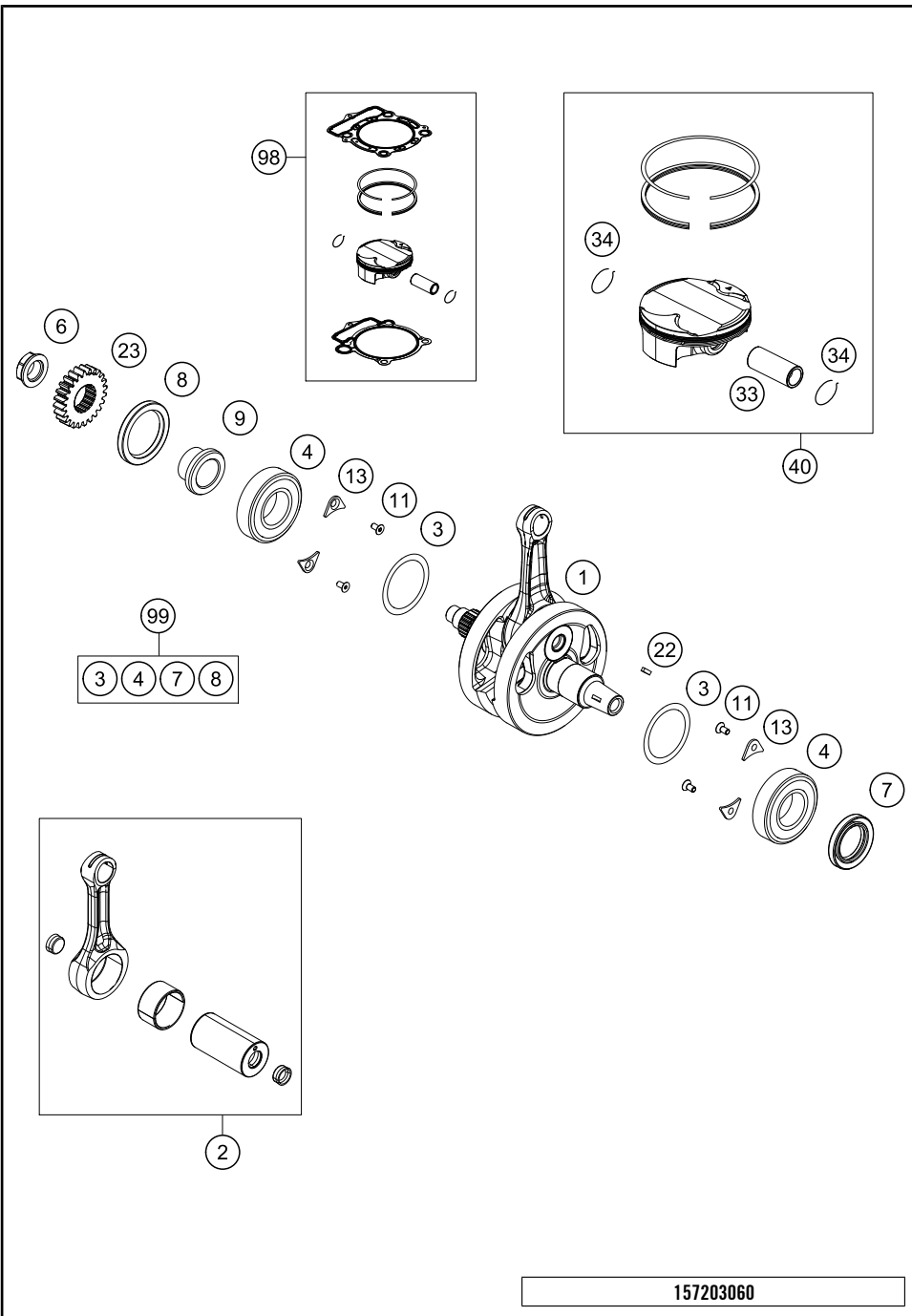
POS	PARTNUMBER	PARTNAME	PIECE
1	77530038000	CYLINDER + PISTON CPL.	1
2	58530014100	DOWEL BUSHING 10,2X12,5X10	2
3	77230035000	CYLINDER BASE GASKET	1

117723040

C137753040

* NEW PART

X ON DEMAND

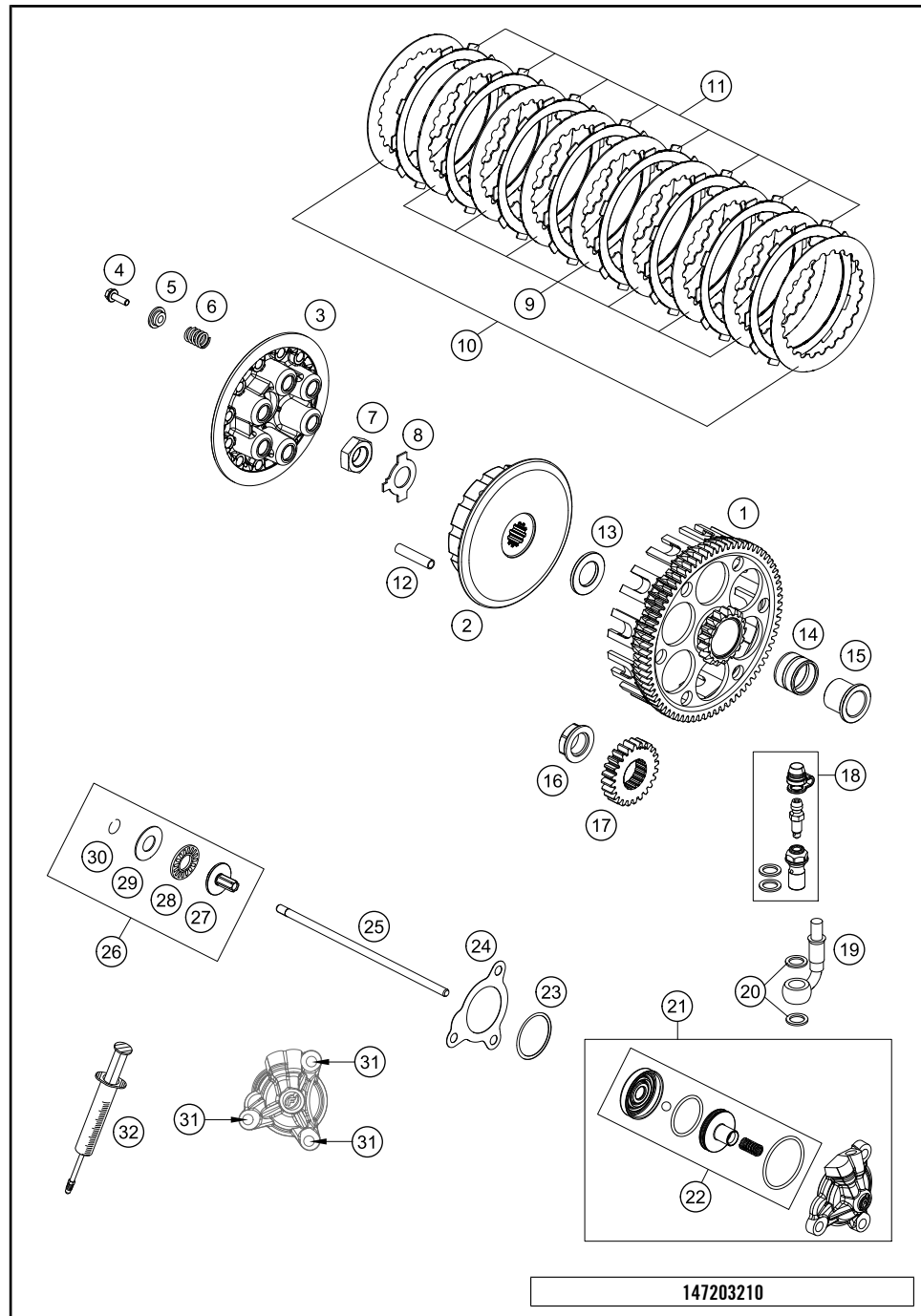


POS	PARTNUMBER	PARTNAME	PIECE
1	77530018200	CRANKSHAFT CPL.	1
2	77830015044	CONNECTING ROD REPAIR SET	1
3	0988324510	THRUST WASHER 988ST 32X0,1	x
3	0988324515	THRUST WASHER 988ST 32X0,15	x
3	0988324530	THRUST WASHER 988ST 32X0,30	x
4	77330082200	BEARING NJ 206 ECP/HN3C4HVA624	2
6	77230029000	NUT PRIMARY WHEEL	1
7	0760304772	SH.SEAL RING 30X47X7 BSL VITON	1
8	0760405560	SHAFT SEAL RING A40x55x6 VITON	1
9	77232022000	SPACER BUSHING PRIMARY GEAR	1
11	0019050106S	INT. TORX FLAT HEAD M5X10 10.9	4
13	75030085000	RETAINING PLATE F. CS BEARING	4
22	0888030037	WOODRUFF KEY DIN6888-3X3,7	1
23	77232023024	PRIMARY GEAR 24T.	1
33	77230133000	PISTON PIN 350	1
34	54830074000	SNAP RING 18X1,5	2
40	77530107100 I	PISTON I CPL. 350	x
40	77530107100 II	PISTON II CPL. 350	x
98	00050000200	PISTON KIT GR.I 350 EXC-F12-13	x
98	00050000201	PISTON KIT GR.II 350 EXC-F 12	x
99	00050002312	CRANKSHAFT REP. KIT FREERIDE	x

157203060

C167203060

* NEW PART X ON DEMAND



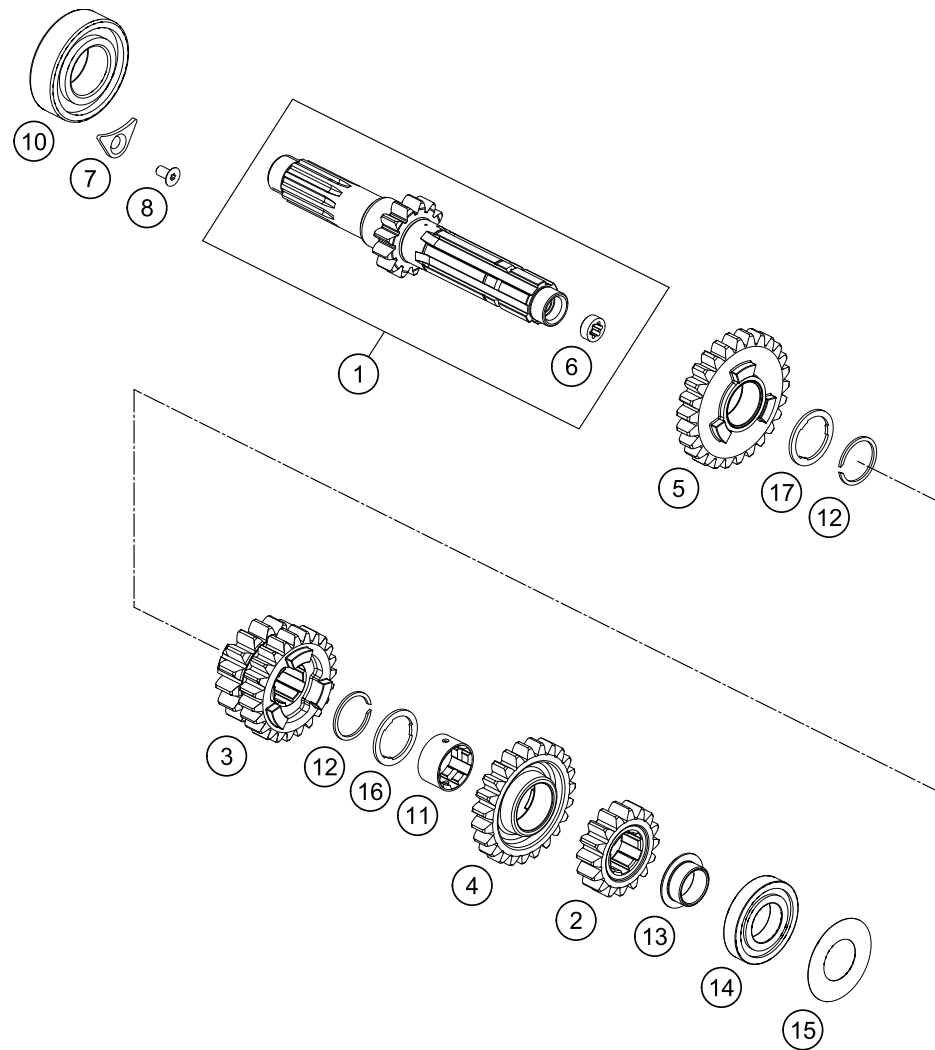
POS	PARTNUMBER	PARTNAME	PIECE
1	77232001173	OUTER CLUTCH HUB	1
2	77232002000	INNER CLUTCH HUB	1
3	77232003000	PRESSURE PLATE	1
4	0025060256	HH COLLAR SCREW M6X25 TX30	6
5	59032006050	SPRING RETAINER 6,2X12X18X5,2	6
6	77032005100	CLUTCH SPRING	6
7	77232019000	HEXAGON NUT M18X1,5	1
8	77232018000	SHEET METAL LOCK	1
9	59032010200	INTERMEDIATE DISC 1,4MM 2002	7
10	59032010100	INTERMEDIATE DISC 1MM 2002	2
11	77532011000	LINING DISC	8
12	77232004000	DRIVING SLEEVE D=7,95 L=38	12
13	77232009100	WASHER 21,8 X 37 X 3	1
14	56532095000	NEEDLE BEARING K26X30X22ZW.KSE	1
15	77232015000	INNER RING	1
16	77230029000	NUT PRIMARY WHEEL	1
17	77232023024	PRIMARY GEAR 24T.	1
18	72032064000	BLEEDER SCREW CPL.	1
19	72032063000	CLUTCH PIPE	1
20	0603082121	SEAL RING CU DIN7603- 8X12X1	2
21	72032061044	OUTPUT CYLINDER CPL.	1
22	72032066000	PISTON CPL.	1
23	0770300015	O-RING 30,00X1,50 NBR 70	1
24	77232062000	GASKET F. OUTPUT CYLINDER	1
25	77232054000	PUSH ROD	1
26	78032057044	PRESSURE PIECE CPL. 08	1
27	78032057000	PRESSURE PIECE	1
28	54637097200	AXIAL NEEDLE BEARING AXK 1226	1
29	54637098200	AXIAL WASHER AS1226 12X26X1	1
30	0993012000	CIRCLIP DIN7993-RW12	1
31	0025060166	HH COLLAR SCREW M6X16 TX30	3
32	50329050000	VENT INJEKTION HYDR. CLUTCH	1

147203210

C157203210

* NEW PART

X ON DEMAND



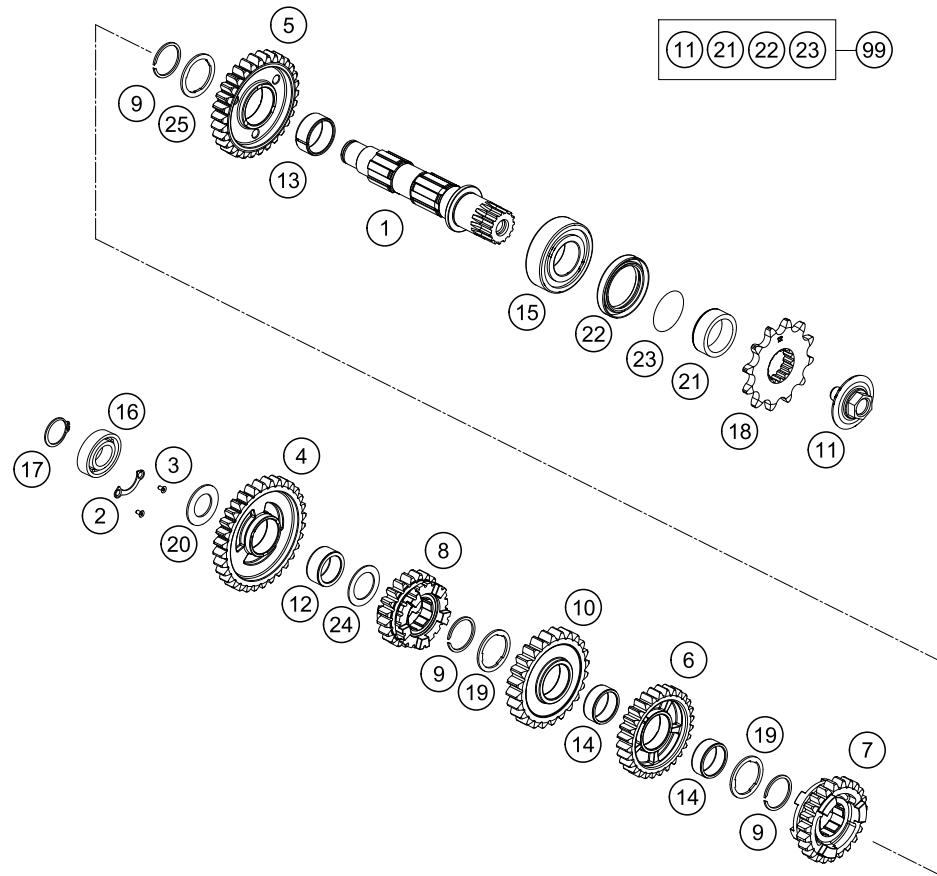
POS	PARTNUMBER	PARTNAME	PIECE
1	77733001000	MAIN SHAFT CPL.	1
2	77733102000	SOLID GEAR 2ND G. T=16	1
3	77733103000	SLIDING GEAR 3/4 G. T="16/23"	1
4	77733105000	IDLER GEAR 5TH G. T=23	1
5	72033006044	IDLER GEAR 6TH GEAR CPL.	1
6	78033001110	BUSHING	1
7	75030085000	RETAINING PLATE F. CS BEARING	1
8	0019050121S	INT. TORX FLAT HEAD M5X12 T25	1
10	0625062054	BALL BEARING 6205 C3 NTN	1
11	77733024000	IDLER GEAR BUSHING	1
12	50133090000	LOCK RING 22X1,2	2
13	77733027000	BUSHING	1
14	0625160040	GROOVED BALL BEAR. TM 16004 C3	1
15	77233088000	SPACER SHIM 21X42X0.2	1
16	77733021000	STOP DISC	1
17	77733022000	STOP DISC	1

147203330

C157203330

* NEW PART

X ON DEMAND



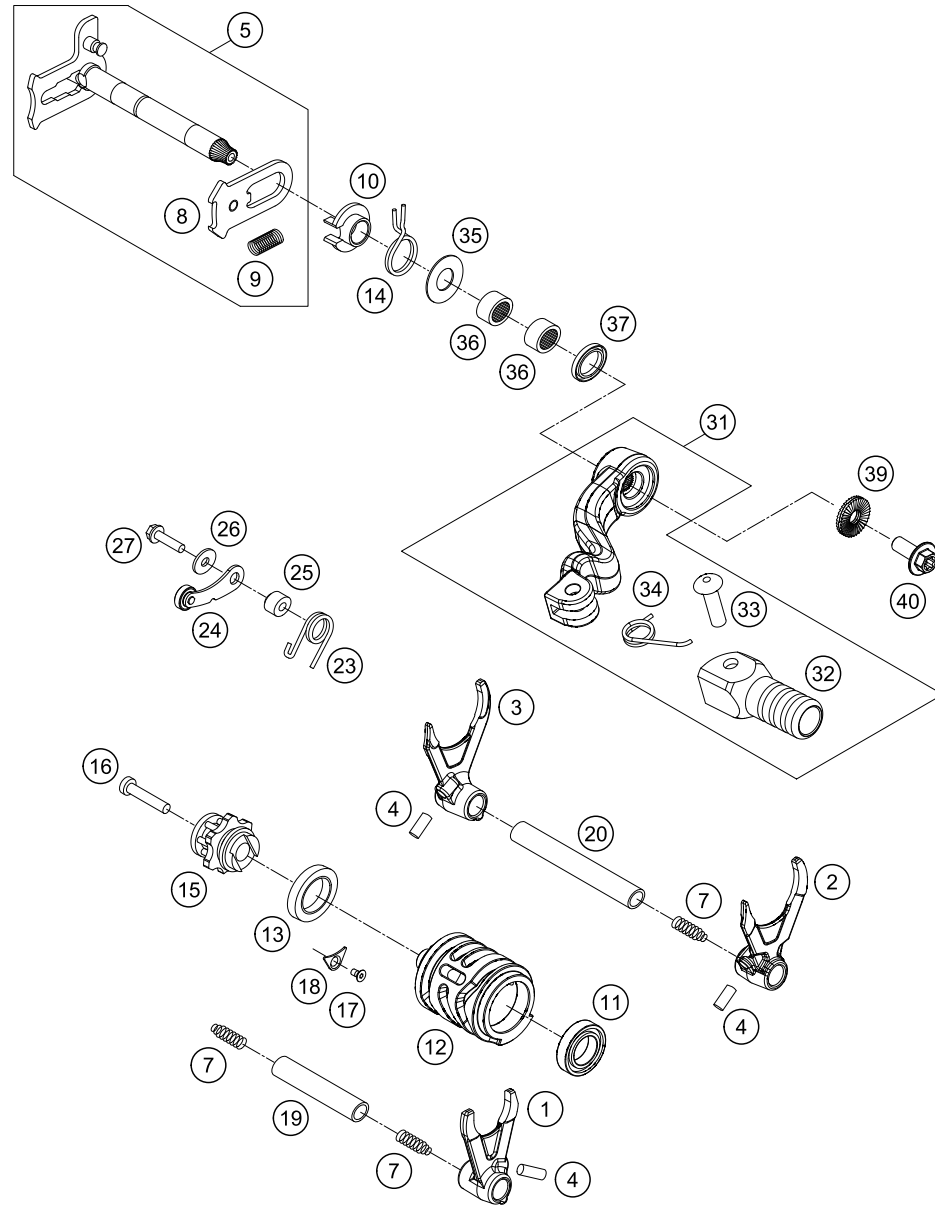
147203360

POS	PARTNUMBER	PARTNAME	PIECE
1	77733110000	COUNTERSHAFT	1
2	78033132000	TAB WASHER BEARING COUNT.SHAFT	1
3	0019050121S	INT. TORX FLAT HEAD M5X12 T25	2
4	77733011000	IDLER GEAR 1ST G. T=32	1
5	77733112000	IDLER GEAR 2ND G. T=30	1
6	77733114100	IDLER GEAR 4.G. Z=28	1
7	77733115100	SLIDING GEAR 5.G.,Z=23	1
8	72033016000	SLIDING GEAR 6TH GEAR, 20T	1
9	0417024000	CIRCLIP WS24	3
10	77733113100	IDLER GEAR 3.G. Z=24	1
11	59033034044	SCREW 10.9+SPRING WASHER	1
12	0405202612	NEEDLE BEARING K 20X26X12	1
13	0405242812	NEEDLE BEAR. K24X28X11,9 DIV.	1
14	0405222611	NEEDLE BEAR.K 22X26X10 DIVIDED	2
15	49030023000	CYL.ROLL BEARING NJ205	1
16	0625062035	BALL BEARING 6203 JR2 C3	1
17	0471170015	CIRCLIP DIN 0471-17X1, 5	1
18	50033029012	FRONT SPROCKET 12-T	1
19	77733043000	STOP DISC 23,4X31X1,5	2
20	77233020000	STOP DISK 17,2X30X1,3	1
21	54633014100	SPACER BUSHING 12MM	1
22	0760324571	SHAFT SEAL RING 32X45X7 BSLNBR	1
23	0770020220	O-RING 25,12X1,78 NBR70	1
24	54833080000	STOP DISC 20,2X30X1	1
25	77733044000	STOP DISC 24X32X1,5	1
99	00050000941	COUNTER SHAFT REP.KIT 4 STROKE	x

C157203360

* NEW PART

X ON DEMAND



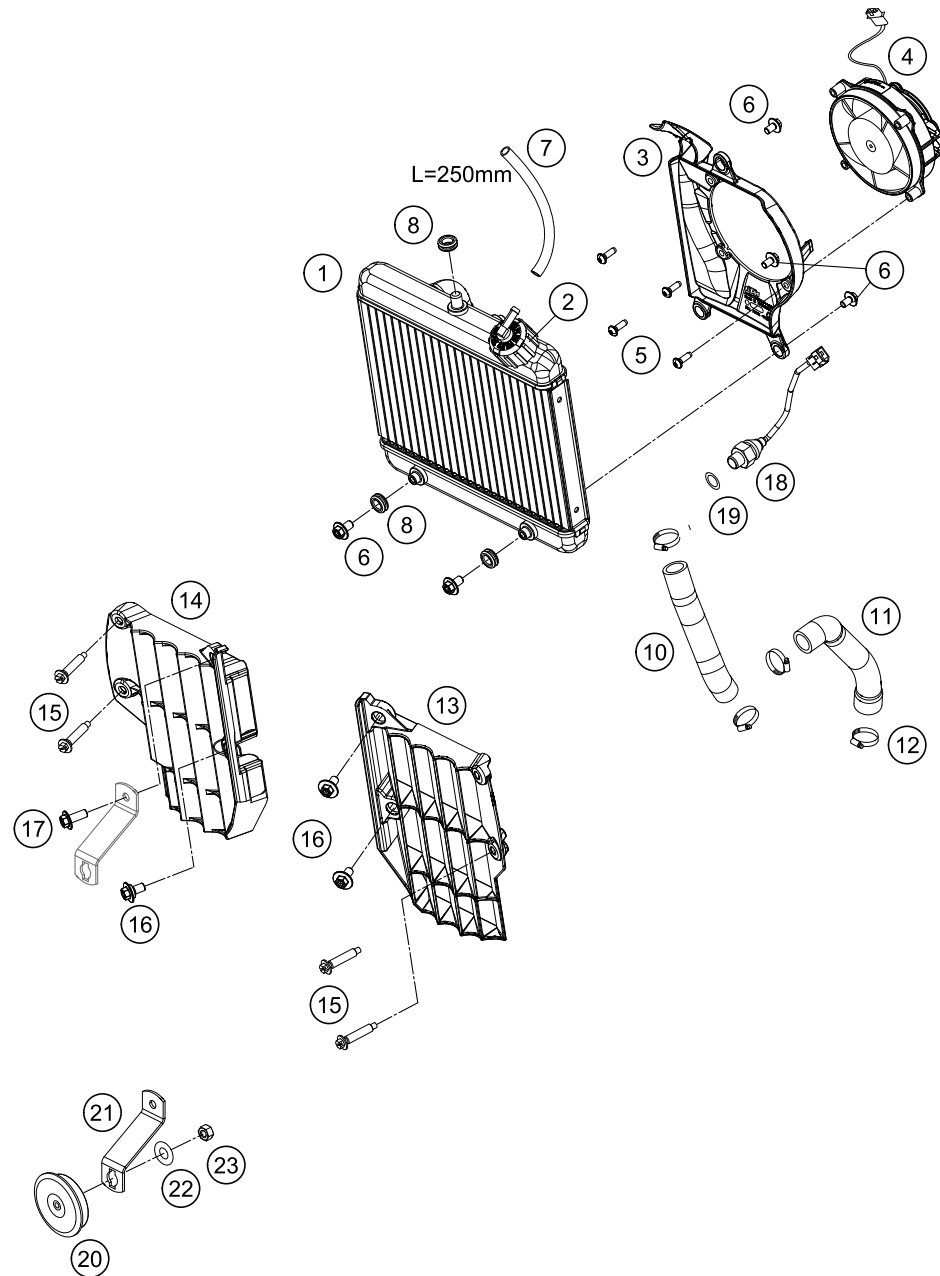
167203410

POS	PARTNUMBER	PARTNAME	PIECE
1	77734001000	SHIFTING FORK 5TH/6TH GEAR	1
2	54834202000	SHIFT FORK 2./4.G.	1
3	54834203000	SHIFT FORK 1./3. G.	1
4	0402061480	NEEDLE ROLLER DIN5402 6X14,8	3
5	54834005133	SHIFT SHAFT ASSY	1
7	58038023200	PRESSURE SPRING 0,9MM	3
8	61234008044	SLIDING PLATE	1
9	56534013100	TENSIONING SPRING 0,8MM	1
10	54634020000	SPRING GUIDE	1
11	0625069034	BALL BEARING 6903 C4	1
12*	54834212200	GEAR SHIFT DRUM	1
13	0625618050	BALL BEARING 61805 C3	1
14	54834014000	RETURN SPRING 03	1
15	77234015000	SHIFT LOCATING DRUM CPL.	1
16	0912060353	AH SCREW DIN0912-M 6X35	1
17	0019050106S	INT. TORX FLAT HEAD M5X10 10.9	1
18	75030085000	RETAINING PLATE F. CS BEARING	1
19	54834019000	SHIFT. RAIL MAIN SHAFT 250/300	1
20	54834020000	SHIFT. RAIL C. SHAFT 250/300	1
23	60034023000	ARRESTING LEVER SPRING 03	1
24	50334024144	LOCATING LEVER CPL. 08	1
25	54634052300	SLEEVE FOR LOCKING LEVER	1
26	0021050003	WASHER DIN9021-A 5,3	1
27	0025050206	HH COLLAR SCREW M5X20 TX30	1
31	72034031000	SHIFTING LEVER CPL.	1
32	54634131000	STEP PLATE FOR SHIFT LEVER 250	1
33	54634031050	BOLT 6X25 FOR SHIFT LEVER	1
34	54634032100	SHIFTING LEVER SPRING 250	1
35	54634050000	STOP DISK 14X30X1	1
36	54632095000	NEEDLE BEAR.HK 1412 14X20X12	2
37	0760142460	SHAFT SEAL RING 14X24X6 B	1
39*	50233041500	PAIR NORDLOCK WASHER M6	1
40*	0024060156S	HH COLLAR SCREW M6X15 TORX30	1

C167203410

* NEW PART

X ON DEMAND



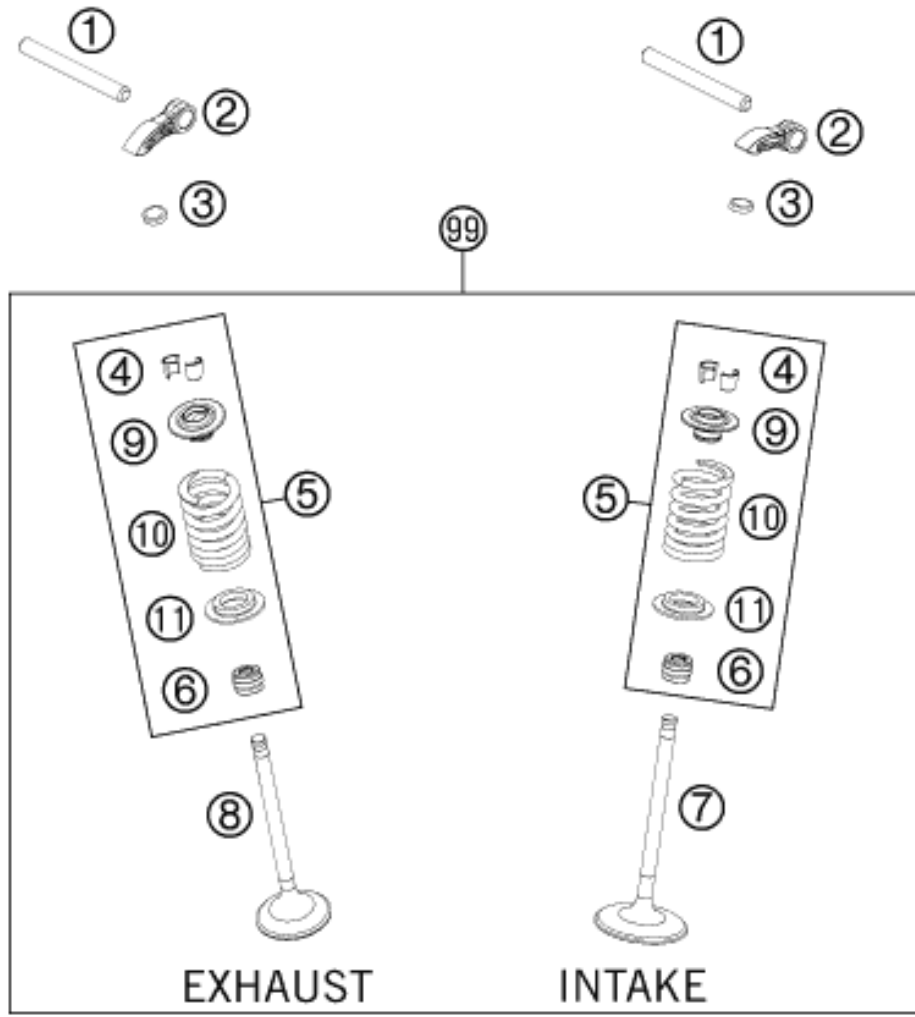
POS	PARTNUMBER	PARTNAME	PIECE
1	72035010200	RADIATOR "15691UE"	1
2	72035016000	RADIATOR CAP 1,8 BAR	1
3	72035044000	FAN COWL	1
4	58435041000	FAN CPL. 12V LC4 2000	1
5	0081050161	EJOT PT SCREW K50X16 1451	4
6	0024060106	HH COLLAR SCREW M6X10 TX30	5
7	50335030001	PVC-HOSE 6X9	1
8	58414019000	RUBBER GROMMET 11 X 19 X 9 '96	3
10	72035026000	PREFORMED HOSE CYL.-RADIATOR	1
11	72035025000	PREFORMED HOSE ENGINE/COOLER	1
12	10001020000	HOSE CLAMP GEMI 18-29	4
13	7203503400030	RADIATOR PROTECTOR L/S BLACK	1
14	7203503500030	RADIATOR PROTECTOR R/S BLACK	1
15	0017060305	SPECIAL SCREW K60X30 WS=6	4
16	83008000012	SPECIAL SCREW M6X12X3	3
17	0024060156	HH COLLAR SCREW M6X15 TX30	1
18	72035045000	THERMOSWITCH 95°C M14X1,5	1
19	07701300151	O-RING 13,00X1,5 75FKM 72NBR	1
20	50311060200	DC HORN 12V 07	1
21	78011061000	HORN BRACKET EXC 08	1
22	0125050003	WASHER DIN0125-A 5,3	1
23	0934050003	HEXAGON NUT DIN0934-M 5	1

147203530

C157203530

* NEW PART

X ON DEMAND



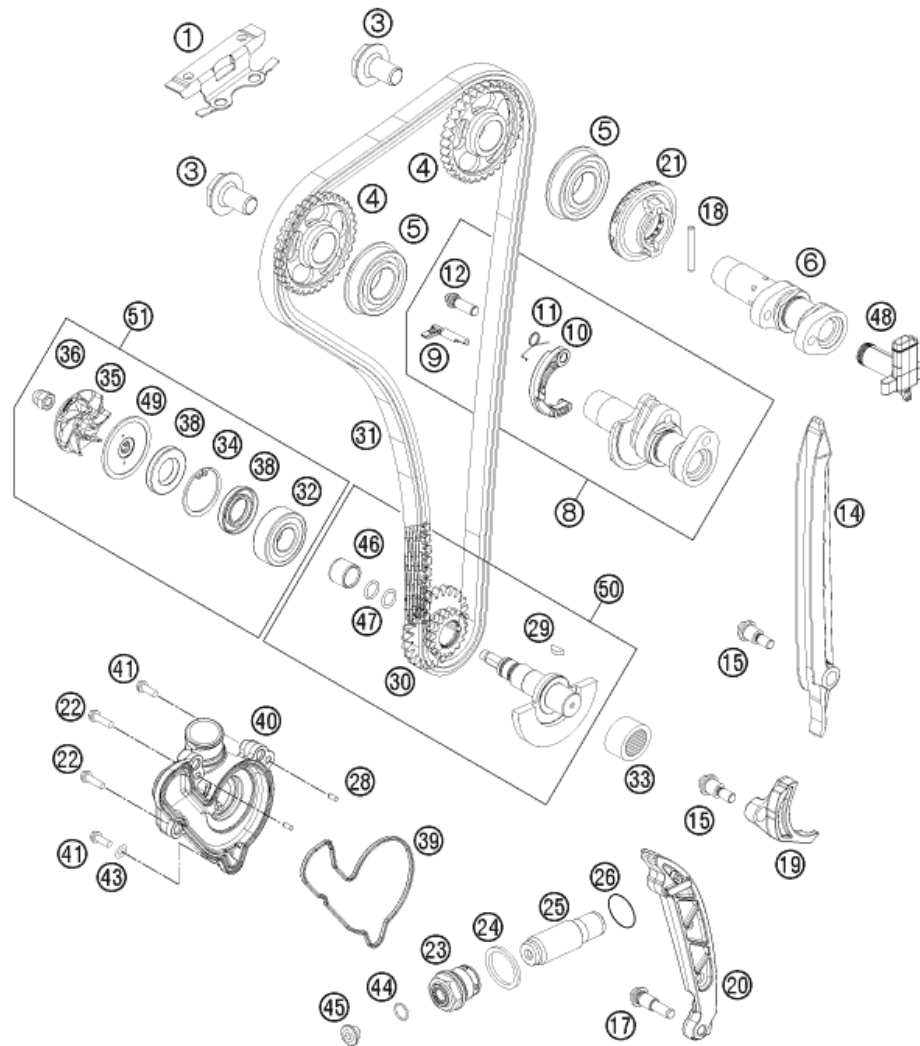
POS	PARTNUMBER	PARTNAME	PIECE
1	77236056000	VALVE LEVER SHAFT	2
2	77236060000	VALVE LEVER	4
3	77036035172	SHIM D=8,9/1,72	X
3	77036035176	SHIM D=8,9/1,76	X
3	77036035180	SHIM D=8,9/1,80	X
3	77036035184	SHIM D=8,9/1,84	X
3	77036035188	SHIM D=8,9/1,88	X
3	77036035192	SHIM D=8,9/1,92	X
3	77036035196	SHIM D=8,9/1,96	X
3	77036035200	SHIM D=8,9/2,00	X
3	77036035204	SHIM D=8,9/2,04	X
3	77036035208	SHIM D=8,9/2,08	X
3	77036035212	SHIM D=8,9/2,12	X
3	77036035216	SHIM D=8,9/2,16	X
3	77036035220	SHIM D=8,9/2,20	X
3	77036035224	SHIM D=8,9/2,24	X
3	77036035228	SHIM D=8,9/2,28	X
3	77036035232	SHIM D=8,9/2,32	X
3	77036035236	SHIM D=8,9/2,36	X
3	77036035240	SHIM D=8,9/2,40	X
3	77036035244	SHIM D=8,9/2,44	X
3	77036035248	SHIM D=8,9/2,48	X
3	77036035252	SHIM D=8,9/2,52	X
3	77036035256	SHIM D=8,9/2,56	X
3	77036035260	SHIM D=8,9/2,60	X
4	77236033000	VALVE COLLET	8
5	77536028044	VALVE SPRING KIT	4
6	77236027000	VALVE-STEM SEALING	4
7	77536030000	INTAKE VALVE	2
8	77536031000	EXHAUST VALVE	2
9	77536032000	% VALVE-SPRING RETAINER	4
10	77036028300	VALVE SPRING INSIDE	4
11	77536036100	VALVE SPRING HOLDER	4
99	77536030110	VALVE KIT FREERIDE 12-14	1

117723610

C127203610

* NEW PART

X ON DEMAND



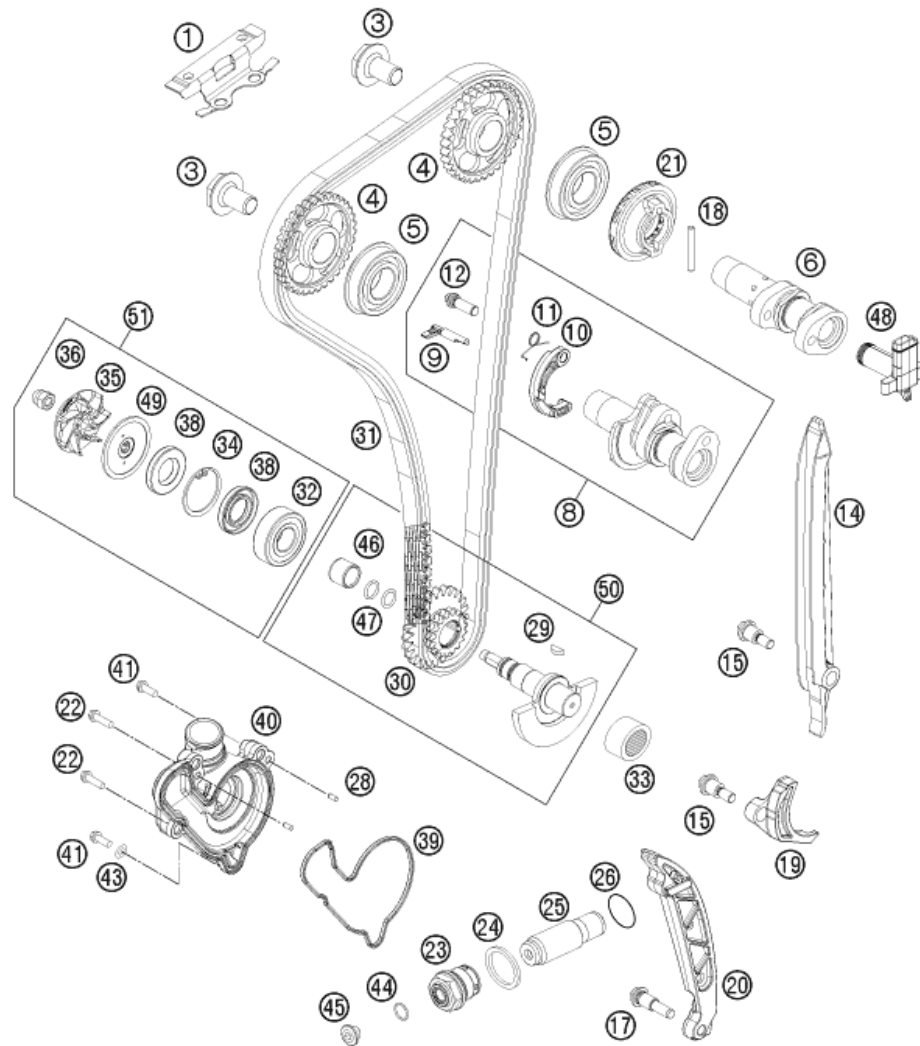
POS	PARTNUMBER	PARTNAME	PIECE
1	77236004000	% TIMING CHAIN GUIDE TOP	1
3	77036012100	CAMSHAFT GEAR SCREW 08	2
4	77236011000	CAMSHAFT GEAR	2
5	0625060043	BALL BEARING 6004 NR C3 '05	2
6	77536009000	CAMSHAFT INTAKE	1
8	72036010044	CAMSHAFT EXH. WITH DEKO CPL.	1
9	77236015000	AUTO DECOMPRESSION	1
10	77036016100	AUTO DECO WEIGHT	1
11	77236017000	SPRING FOR AUTO DECOMPR.	1
12	77236019000	BUSHING SCREW AUTODEC.	1
14	77236001000	TIMING CHAIN GUIDE	1
15	77236001160	BUSHING SCREW M6	2
17	77236002060	% BUSHING SCREW M8	1
18	0402035298	NEEDLE ROLLER NRB 3.5X29.8-G2	1
19	77236005000	SECURING PROTECTION	1
20	77236002000	TENSIONING RAIL	1
21	77236082000	VENTILATION GEAR CPL.	1
22	0025060406	HH COLLAR SCREW M6X40 TX30	2
23	77336008000	HOLDING BOLT M24X1,5	1
24	0603242920	CU SEAL-RING DIN7603 A24X29X2	1
25	77036003000	CHAIN ADJUSTER HYD. 05	1
26	0770180020	O-RING 18,00X2,00 NBR 70	1
28	0402040980	NEEDLE ROL.DIN5402 NRB 4X9,8	2
29	0888030037	WOODRUFF KEY DIN6888-3X3,7	1
30	77236076000	TIMING VALVE TWIN WHEEL	1
31	77236013000	TIMING CHAIN	1
32	0625062022	BALL BEARING 6202 C0 2	1
33	77230058000	NEEDLE BEARING NK16/16	1
34	0472300120	CIRCLIP 30X1,2	1
35	81235055020	WATER PUMP ROTOR	1
36	61230045000	CAP NUT M6 STAINLESS STEEL	1
38	07601530451	SHAFT SEAL RING 15X30X4.5 BAUD	2
39	77735053000	WATER PUMP COVER GASKET	1
40	77735052000	WATERPUMP COVER	1
41	0025060256	HH COLLAR SCREW M6X25 TX30	2
43	0603061001	CU-SEAL RING DIN7603-6X10X1	1
44	0770010010	O-RING 10,00X1,00 NBR 70 SH	1
45	77236080000	% SCREW PLUG	1

127753620

C157203620

* NEW PART

X ON DEMAND



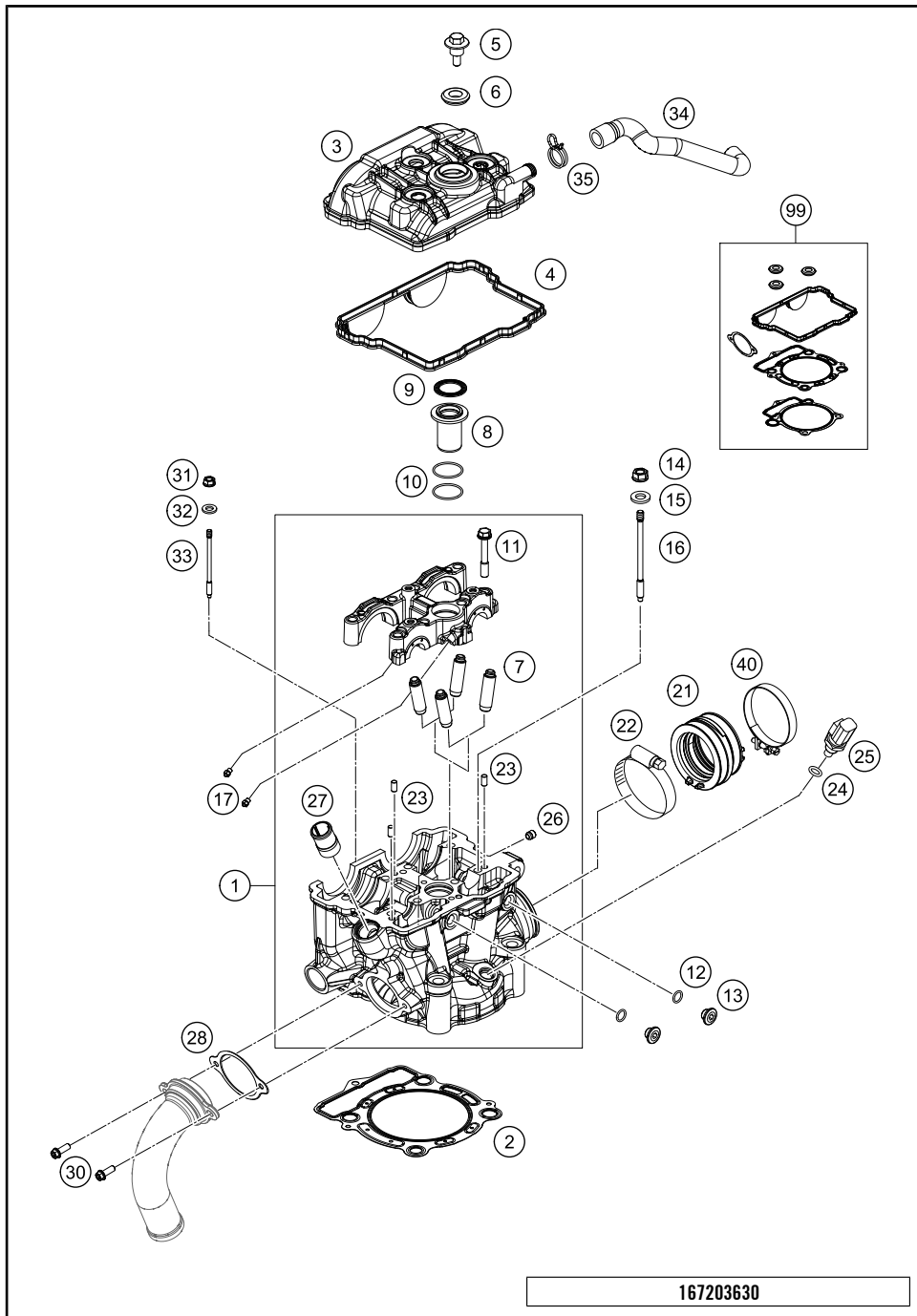
POS	PARTNUMBER	PARTNAME	PIECE
46	77236072020	WEAR BUSHING WAPU	1
47	07700900151	O-RING 9x1,5 V80 SH	2
48	77236081000	ANGLE PIECE F. BREATHER SYSTEM	1
49	81235055110	DISC WATER PUMP	1
50	77536072033	BALANCER SHAFT CPL.	x
51	77235055010	WATER PUMP REP. KIT 11-14	x

127753620

C157203620

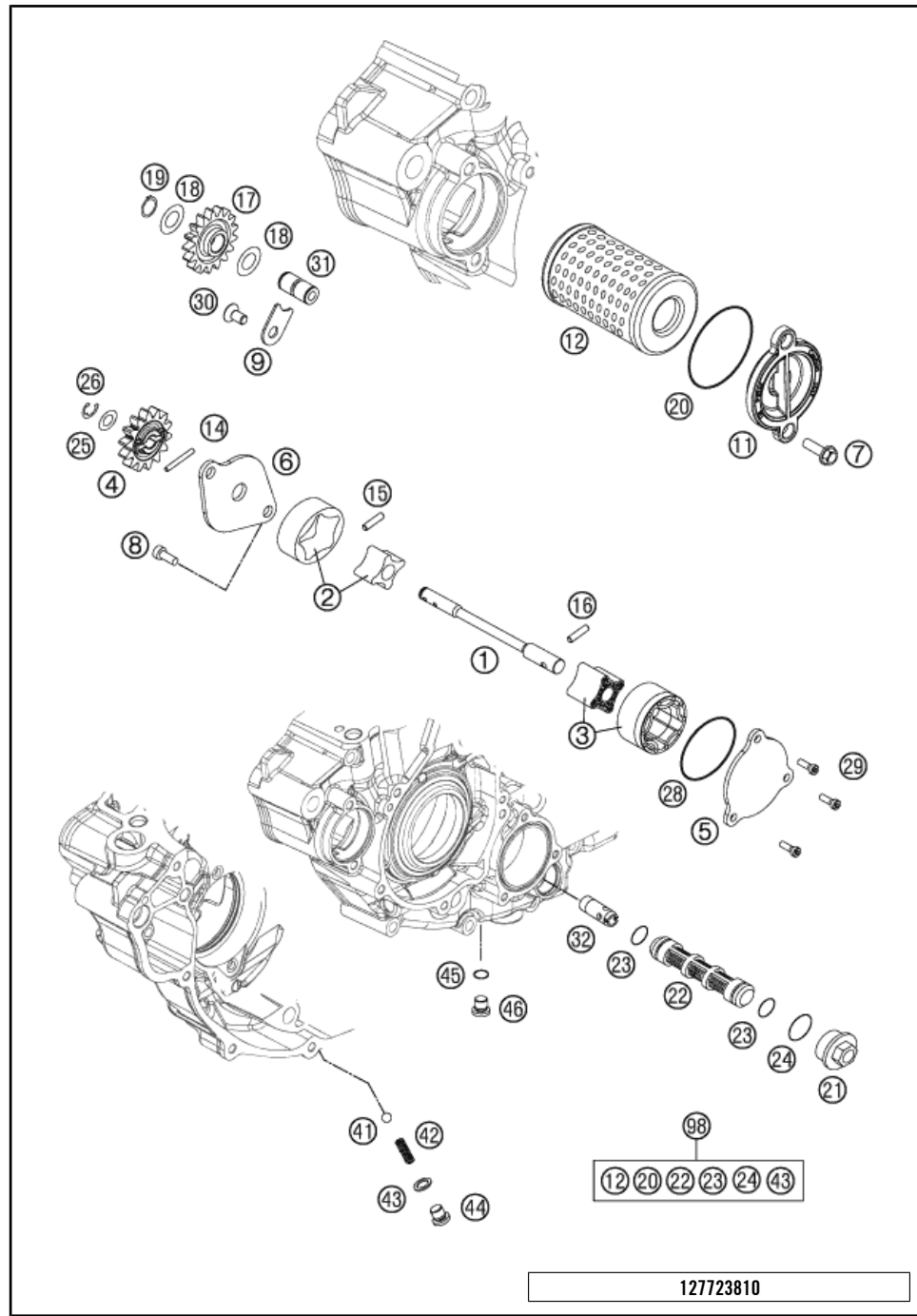
* NEW PART

X ON DEMAND



POS	PARTNUMBER	PARTNAME	PIECE
1	77236020044	CYLINDER HEAD CPL.	1
2	77230036000	CYLINDER HEAD GASKET	1
3	7723605200033	VALVE COVER	1
4	77236053000	VALVE COVER GASKET	1
5	77336054150	VALVE COVER SCREW	3
6*	77036054150	RUBBER GASKET FOR SCREW	3
7	77236025001	VALVE GUIDE INTAKT	4
8	77236075000	INSERT SPARK-PLUG SHAFT	1
9	77336053050	GASKET SPARK-PLUG SHAFT	1
10	0770260015	O-RING 1,5x26	2
11	77330067142	HH COLLAR SCREW M7X1X42	8
12	07700900151	O-RING 9x1,5 V80 SH	2
13*	77236080100	SCREW PLUG	2
14	77336088210	COLLAR NUT M10X1,25 SW13	4
15	77336089010	WASHER 19X10,5X2,5	4
16	77230044000	STUD SCREW M10X1,25	4
17	60030063050	OIL JET 50 05	4
21	77236044000	CONNECTION RUBBER EFI	1
22	61036047000	HOSE CLAMP GEMI 63MM 05	1
23	0402050980	NEEDLE ROLLER DIN5402 5X9,8	3
24	0770100020	O-RING 10,00X2,00 SILCONE	1
25	60011252000	TEMPERAT.-SENSOR WATER LC8 02	1
26	59030296000	SCREW PLUG	1
27	58030010200	SCREW IN NOZZLE M20X1,5	1
28	77236041000	GASKET EXHAUST FLANGE	1
30	0025060166	HH COLLAR SCREW M6X16 TX30	2
31	77336088106	COLLAR NUT M6X1 SW8	1
32	0125060003	WASHER DIN0125-A 6,4	1
33	77330043000	STUD SCREW M6	1
34	72030087000	ENGINE BREATHER HOSE	1
35	58431082100	YDNAC-CLAMP 10173 (16MM) '98	1
40	77236048000	HOSE CLAMP GEMI 58MM	1
99	77230097000	GASKET SET CYL. 350EXC/FRER.13	x

* NEW PART X ON DEMAND



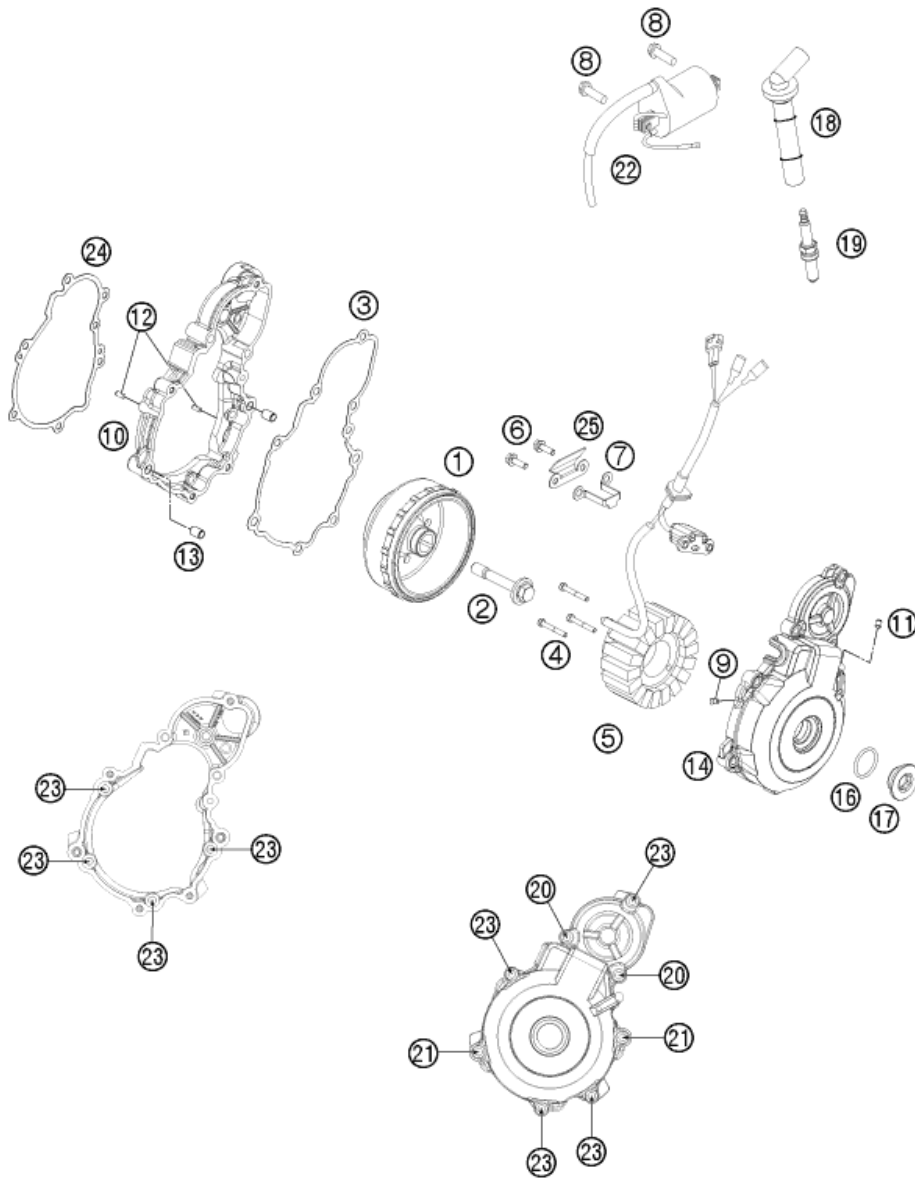
127723810

POS	PARTNUMBER	PARTNAME	PIECE
1	77238102000	OIL PUMP SHAFT	1
2	59038011112	OILPUMP ROTOR-SET 12MM CPL.	1
3	61238011100	ROTOR SET 22MM	1
4	77038001100	OIL PUMP GEAR 14T 08	1
5	78038004000	OIL PUMP COVER SUCTION PUMP	1
6	77238003100	OIL PUMP COVER R/S	1
7	0025060166	HH COLLAR SCREW M6X16 TX30	2
8	0984050123S	CYLIND. SCR. DIN6912 M5X12 8.8	2
9	77238061050	AXIAL-CIRCLIP	1
11	77338041200	OIL FILTER COVER 08	1
12	77338005100	OIL FILTER	1
14	0402251980	NEEDLEROL.DIN5402 NRA 2,5X19,8	1
15	0402251180	NEEDLE ROLLER DIN5402 2,5X11,8	1
16	0402041580	NEEDLE ROLLER NRB 4X15,8 G2	1
17	77038006100	OILPUMP IDLER GEAR 08	1
18	0988121805	SHIM WASHER DIN0988-12X18X0,50	2
19	0471120010	CIRCLIP DIN0471-12X1	1
20	07703305178	O-RING 33,05X1,78	1
21	59038017100	PLUG M20X1,5 WS=13	1
22	59038016100	OIL SCREEN	1
23	07701250151	O-RING 12,5X1,5 VITON V75	2
24	0770020170	O-RING 17,17X1,78 GLO	1
25	58038007755	STOP DISK 8,1 X 15 X 0,5	1
26	0799060000	TAB WASHER DIN6799-RS 6,0	1
28	0770440020	O-RING 44,00X2,00 VITON	1
29	0984050163S	CYL. SCREW DIN6912 M5X16 8.8	3
30	0018050103	INT. TORX OVAL HEAD M 5X10 8.8	1
31	77038013100	BUSHING PIN	1
32	77038022000	OIL INTAKEPIPE	1
41	0401090003	BALL DIN5401-9	1
42	58038023300	PRESSURE SPRING L=25MM D=1MM	1
43	58038022000	CU-SEAL RING DIN7603-12X18X1,5	1
44	0908120153	PLUG DIN0908-M12X1,5	1
45	0770110015	O-RING 1,5X11 SILICON	1
46	78036081000	HOLDING BOLT M14X1,5	1
98	00050000083	OILFILTER-GASKET SET 350 SX-F	x

C167203810

* NEW PART

X ON DEMAND



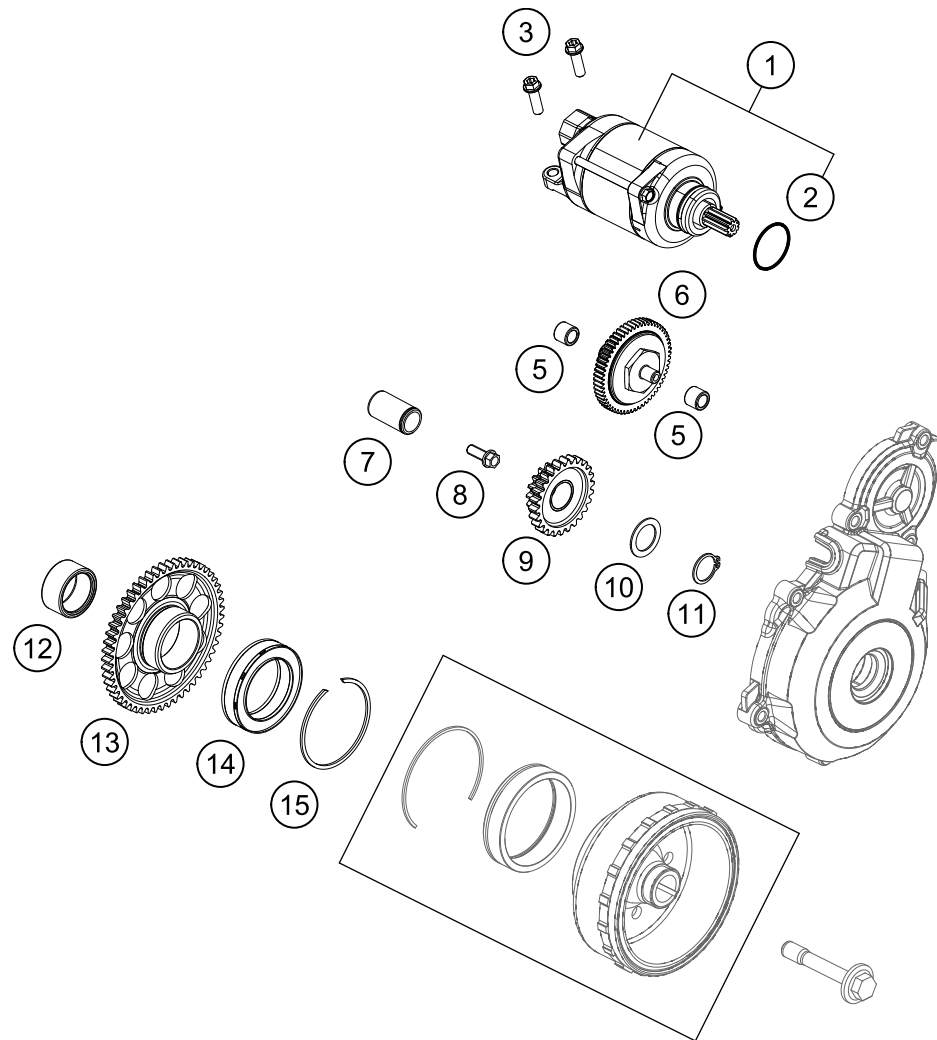
POS	PARTNUMBER	PARTNAME	PIECE
1	77539005144	ROTOR EFI CPL.	1
2	77339010100	FLYWHEEL SCREW	1
3	77530042000	IGNITION COVER GASKET	1
4	0912050303	AH SCREW DIN0912-M 5X30	3
5	77539004000	STATOR	1
6	0025050166	HH COLLAR SCREW M5X16 TX30	2
7	77530002050	CABLE TAB WASHER EXC	1
8	0025060206	HH COLLAR SCREW M6X20 TX30	2
9	80030058060	OIL JET "60" M4	1
10	7753000200015	IGNITION COVER INSIDE	1
11	0913050063	THREAD PIN DIN 913 M5X6	1
12	0402040980	NEEDLE ROL.DIN5402 NRB 4X9,8	2
13	59030023000	DOWEL 6X8X11,5	2
14	7753001200015	IGNITION COVER	1
16	07700240251	O-RING 24X2,5 VITON	1
17	7723000206030	% FACTORY IGNITION COVER PLUG	1
18	77239090000	SPARK PLUG CONNECTOR	1
19	77839093000	SPARK PLUG NGK LMAR9AI-10	1
20	0025060506	HH COLLAR SCREW M6X50 TX30	2
21	0025060306	HH COLLAR SCREW M6X30 TX30	2
22	58439006000	IGNITIONCOIL IG3826 KOKUSAN'96	1
23	0025060256	HH COLLAR SCREW M6X25 TX30	8
24	77530040000	IGNITION COVER GASKET	1
25	77530002060	BRACKET	1

127753910

C167203910

* NEW PART

X ON DEMAND



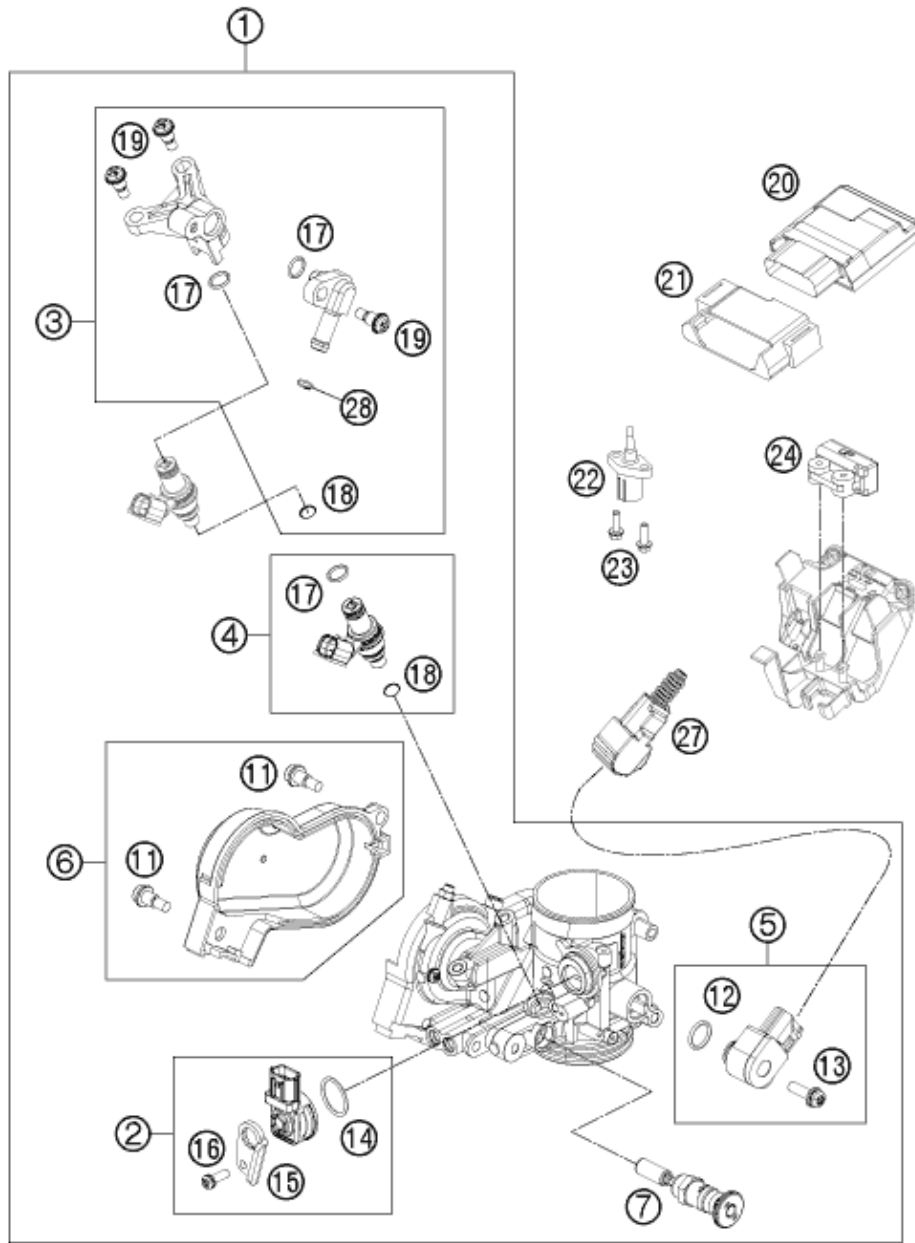
POS	PARTNUMBER	PARTNAME	PIECE
1	77240001100	E-STARTER ENGINE CPL.	1
2	0770250030	O-RING 25,00X3,00 NBR 70	1
3	0025060256	HH COLLAR SCREW M6X25 TX30	2
5	0618081210	NEEDLE BUSH HK 0810 DIN 618	2
6	77240116000	TORQUE LIMITER	1
7	59040028000	BUSHING PIN	1
8	0015060163	HH COLLAR SCREW M 6X16 WS=8	1
9	77240122000	STARTER INTERMEDIATE GEAR	1
10	54633090000	STOP DISK 17,2X25X1	1
11	0471170010	CIRCLIP DIN0471-17X1	1
12	0618253216	NEEDLE BUSH HK2516 25/32/16 02	1
13	77840120000	FREEWHEELER GEAR	1
14	0472057150	CIRCLIP DIN0472-57X1,50	1
15	80040026000	FREE WHEEL 03	1

157204010

C167204010

* NEW PART

X ON DEMAND



POS	PARTNUMBER	PARTNAME	PIECE
1	77141001000	THROTTLE BODY	1
2	81241085044	MAP SENSOR CPL. 09	1
3	81241013044	FUEL RAIL CPL. 09	1
4	77141023144	INJECTOR KIT CPL.	1
5	81241077044	TPS KPL. 09	1
6	81241056044	THROTTLE COVER CPL. 09	1
7	81241060000	STARTER VALVE COMP.	1
11	81241056020	SPECIAL SCREW AH	2
12	61041077010	O-RING THROTTLE POS. SENSOR	1
13	81241077030	SPECIAL SCREW	1
14	75041085010	O-RING	1
15	81241085020	PLATE 09	1
16	81241085030	SPECIAL SCREW	1
17	75041023020	O-RING 7,2x2,2	2
18	75041023010	SEAL RING	1
19	75041013010	SCREW SHOULDER	3
20	81241031100	ELECTRONIC CONTROL UNIT	1
21	77241031050	RUBBER BRACKET ECU	1
22	61041080000	AMBIENT-AIR TEMPERATURE SENSOR	1
23	0025050166	HH COLLAR SCREW M5X16 TX30	2
24	61041088000	ROLLOVER SENSOR 05	1
27	77111014050	PROTECTION CAP TPS	1
28	77507017000	CLAMP ABA 14MM	1

127204110

C127204110

* NEW PART

X ON DEMAND

A large, empty rectangular box with a thin black border, occupying the majority of the page. It is intended for the user to write their notes.

WWW.KTM.COM



KTM Sportmotorcycle GmbH
5230 Mattighofen, Austria
www.ktm.com



KTM_POWERPARTS

KTM_POWERWEAR

KTM_ORIGINAL SPARE PARTS



3CM089370PEN

Art. Nr.: 3CM089370PEN 21. Apr. 2016