

# Engine 1290 Superduke 2021 2021

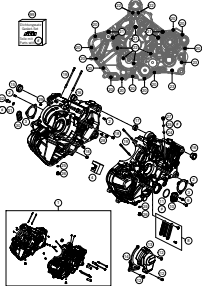
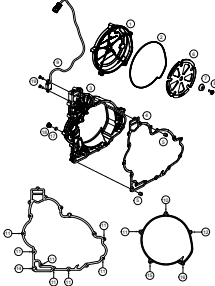
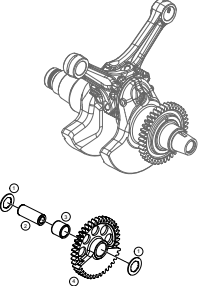
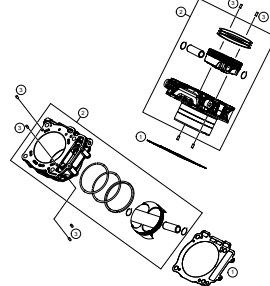
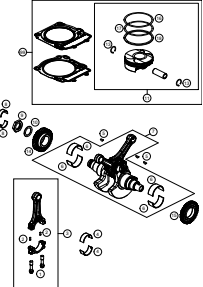
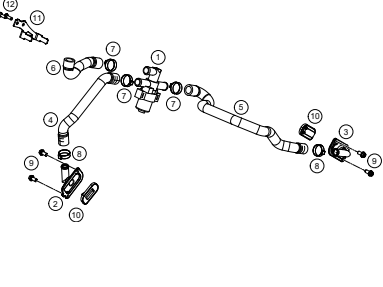
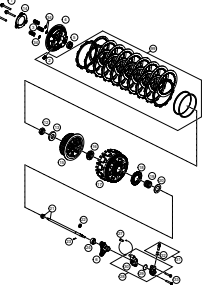
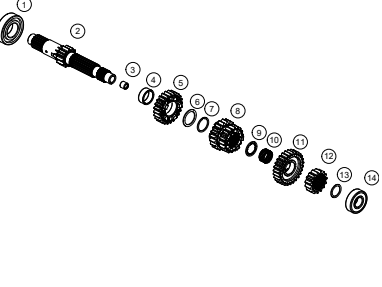
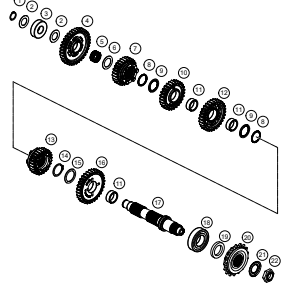
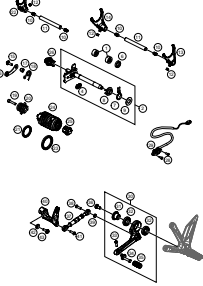
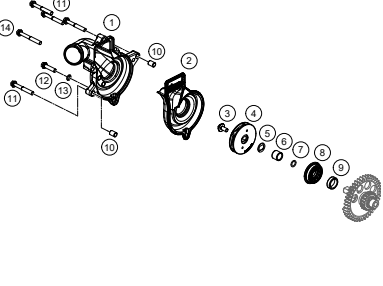
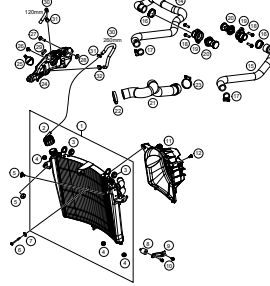
ART.-NR.: 089880UEN

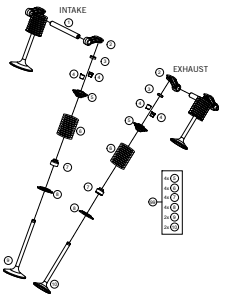
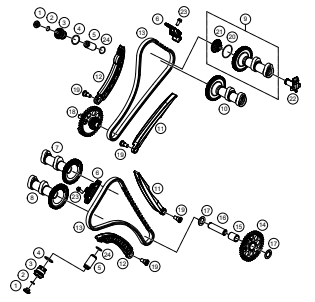
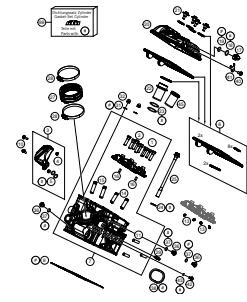
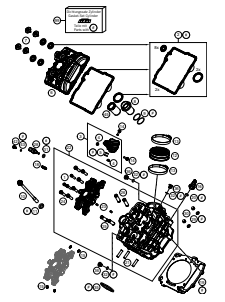
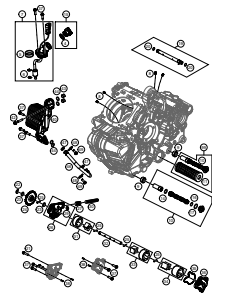
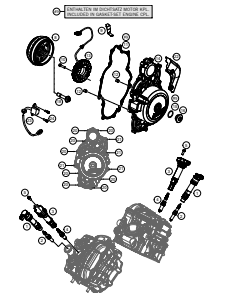
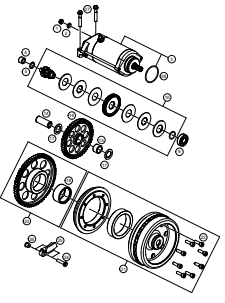
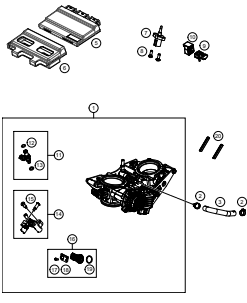


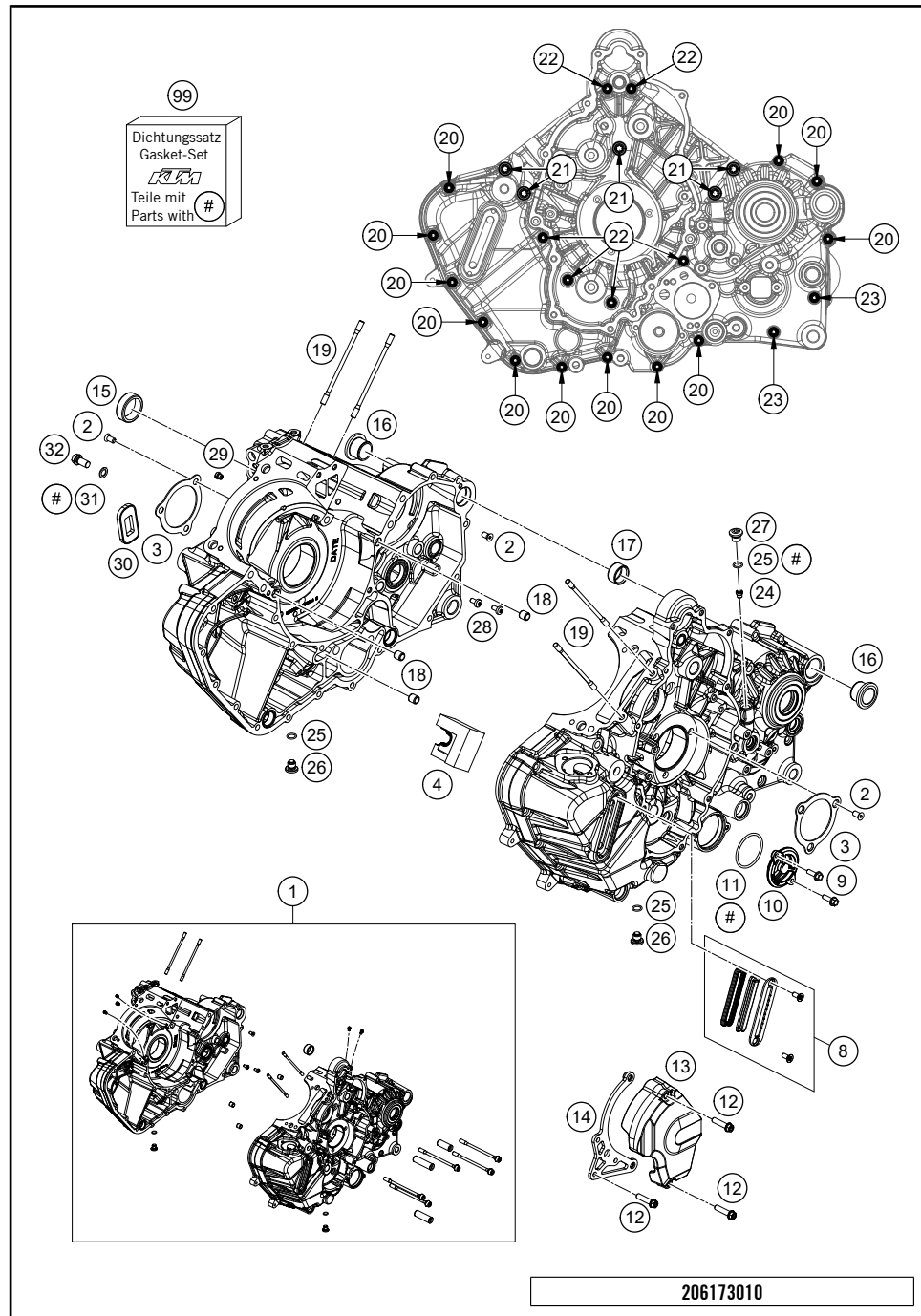


All information contained is without obligation. KTM Sportmotorcycle GmbH particularly reserves the right to modify any equipment, technical specifications, prices, colors, shapes, materials, services, service work, constructions, equipment and the like so as to adapt them to local conditions or to cancel any of the above items, all without previous announcement and without giving reasons. KTM may stop manufacturing certain models without previous notice. KTM shall not be held liable for any deviations of availability and/or ability to deliver, illustrations, descriptions, printing and/or other errors. The illustrated models partly contain extra equipment, which is not applied to standard models.

© by KTM Sportmotorcycle GmbH, Mattighofen AUSTRIA; All rights reserved; Reprint, also in extracts, with written allowance of KTM Sportmotorcycle GmbH, Mattighofen only.

<p><b>ENGINE CASE</b></p>  <p><b>3</b></p>	<p><b>CLUTCH COVER</b></p>  <p><b>4</b></p>	<p><b>BALANCER SHAFT</b></p>  <p><b>5</b></p>	<p><b>CYLINDER</b></p>  <p><b>6</b></p>
<p><b>CRANKSHAFT, PISTON</b></p>  <p><b>7</b></p>	<p><b>SECONDARY AIR SYSTEM SAS</b></p>  <p><b>8</b></p>	<p><b>CLUTCH</b></p>  <p><b>9</b></p>	<p><b>TRANSMISSION I - MAIN SHAFT</b></p>  <p><b>10</b></p>
<p><b>TRANSMISSION II - COUNTERSHAFT</b></p>  <p><b>11</b></p>	<p><b>SHIFTING MECHANISM</b></p>  <p><b>12</b></p>	<p><b>WATER PUMP</b></p>  <p><b>14</b></p>	<p><b>COOLING SYSTEM</b></p>  <p><b>15</b></p>

<p><b>VALVE DRIVE</b></p>  <p><b>16</b></p>	<p><b>TIMING DRIVE</b></p>  <p><b>17</b></p>	<p><b>CYLINDER HEAD REAR</b></p>  <p><b>18</b></p>	<p><b>CYLINDER HEAD FRONT</b></p>  <p><b>19</b></p>
<p><b>LUBRICATING SYSTEM</b></p>  <p><b>20</b></p>	<p><b>IGNITION SYSTEM</b></p>  <p><b>22</b></p>	<p><b>ELECTRIC STARTER</b></p>  <p><b>23</b></p>	<p><b>THROTTLE BODY</b></p>  <p><b>24</b></p>



POS	PARTNUMBER	PARTNAME	PIECE
1	6173010004424	engine case cpl.	1
2	0019050106S	hex lobe countersunc screw M5x10 - 10.9	7
3	61230084000	BRACKET FOR BEARING INSERT 08	2
4	61730066000	Damper for oil line	1
8	62638084044	OIL SIGHT GLASS CPL.	1
9	0025050166	HH collar screw M5x16 TX30	2
10	75038041200	oil filter cover	1
11	07700390261	O-RING 39,34X2,62	1
12	0025060256	HH collar screw M6x25 TX30	3
13	61703096033	Front sprocket cover	1
14	61730047033	Chain guard compl.	1
15	61330157050	SLIDE BEARING	1
16	60030010000	SWING BEARING OUTSIDE LC8 03	2
17	60030023000	DOWEL 20,1X24X12 03	1
18	49030090000	DOWEL 9,8 X 7 X 10	3
19	61230044000	STUD M6X110 08	4
20	0025060556	HH collar screw M6x55 TX30	12
21	61230043100	Case screw M8x125	5
22	0025060906	HH COLLAR SCREW M6X90 TX30	6
23	0025060706	HH COLLAR SCREW M6X70 TX30	2
24	60038029200	REDUCING JET "30" M6X0,75	1
25	07700900151	O-RING 9x1,5 V80 SH	3
26	77336056095	SCREW PLUG	2
27	77236080100	threaded plug	1
28	0018050103S	Oval head screw DIN 7985-M5x10-8.8	2
29	57031523100	MAIN JET 100 DELLORTO	1
30	60005026000	reed valve	1
31	45038017000	SEAL RING 8X14X1 AI	1
32	0025080166	HH COLLAR SCREW M8X16 TX40	1
99	61730099000	Engine gasket kit 1290 SD	1

206173010

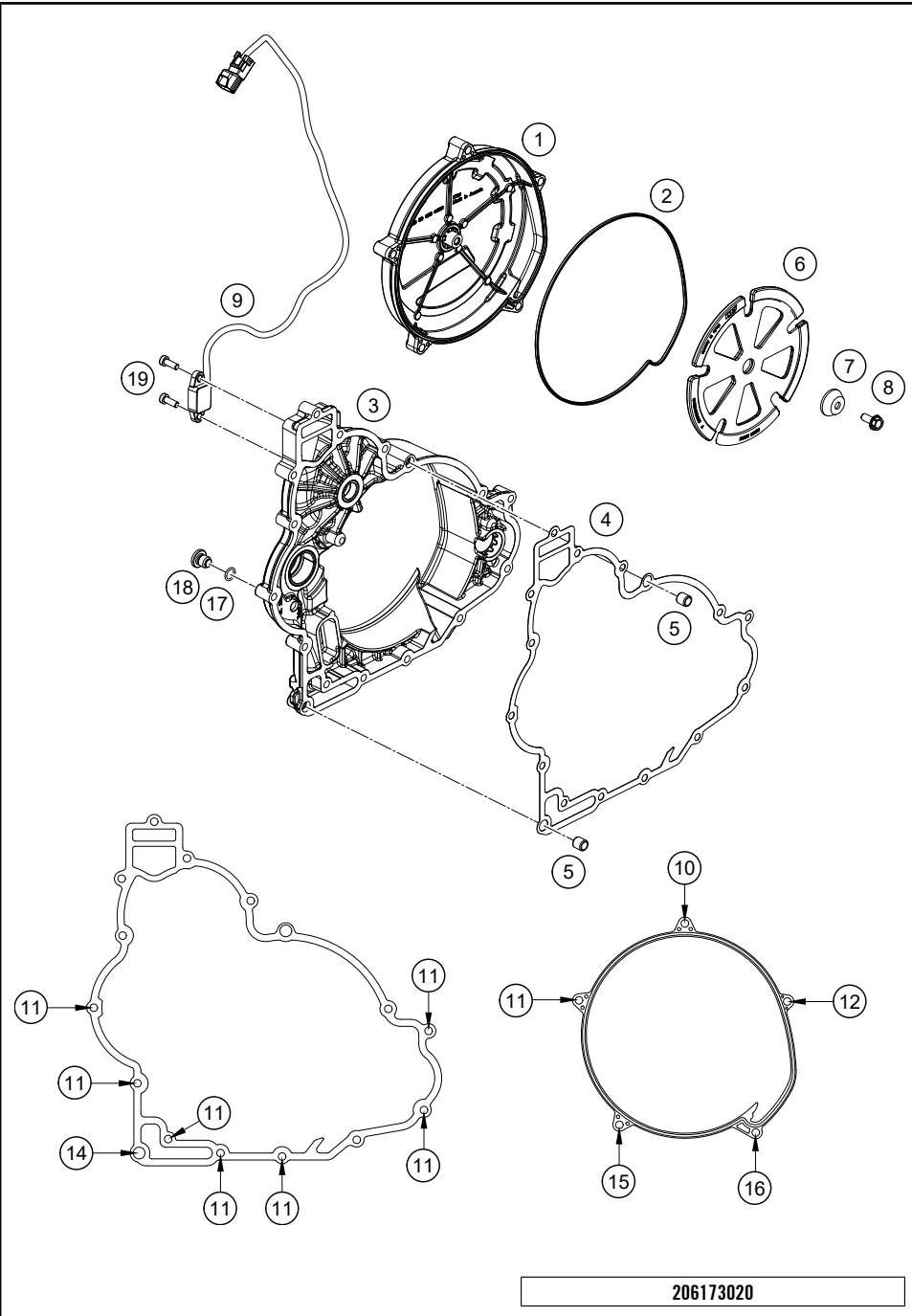
55467

\* NEW PART

X ON DEMAND

# CLUTCH COVER

Engine 1290 Superduke 2021 2021



POS	PARTNUMBER	PARTNAME	PIECE
1	6033002600041	OUTER CLUTCH COVER	1
2	61230027000	MOLDED RING OUTER CLUTCH COVER	1
3	6173000103341	Clutch cover compl.	1
4	61730025000	Clutch Cover Gasket	1
5	49030090100	DOWEL 9,8 X7X10	2
6	60330026050	DAMPING SHEET CPL.	1
7	60330026053	BUSHING	1
8	60030126080	EJOT ALTRACS SCR. WN5147,60X14	1
9	61434051000	Shift shaft sensor	1
10	0025060956	HH COLLAR SCREW M6X95 TX30	1
11	0025060306	HH collar screw M6x30 TX30	8
12	0025060906	HH COLLAR SCREW M6X90 TX30	1
14	0025060356	HH collar screw M6x35 TX30	1
15	0025060256	HH collar screw M6x25 TX30	1
16	0025060856	HH COLLAR SCREW M6X85 TX30	1
17	07700900151	O-RING 9x1,5 V80 SH	1
18	77336056095	SCREW PLUG	1
19	09840501435	CYL. SCREW DIN6912 M5X14 8.8	2

206173020

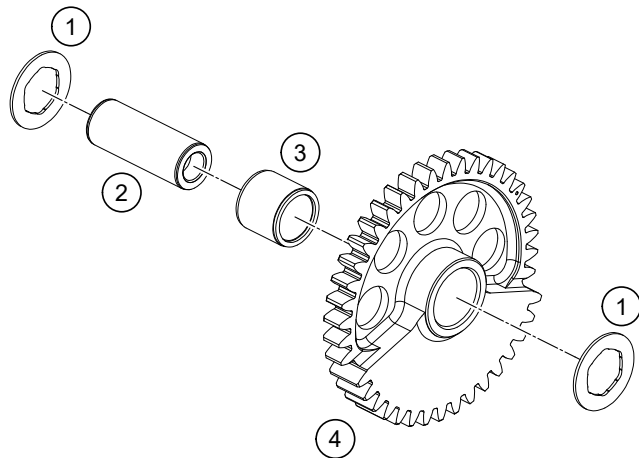
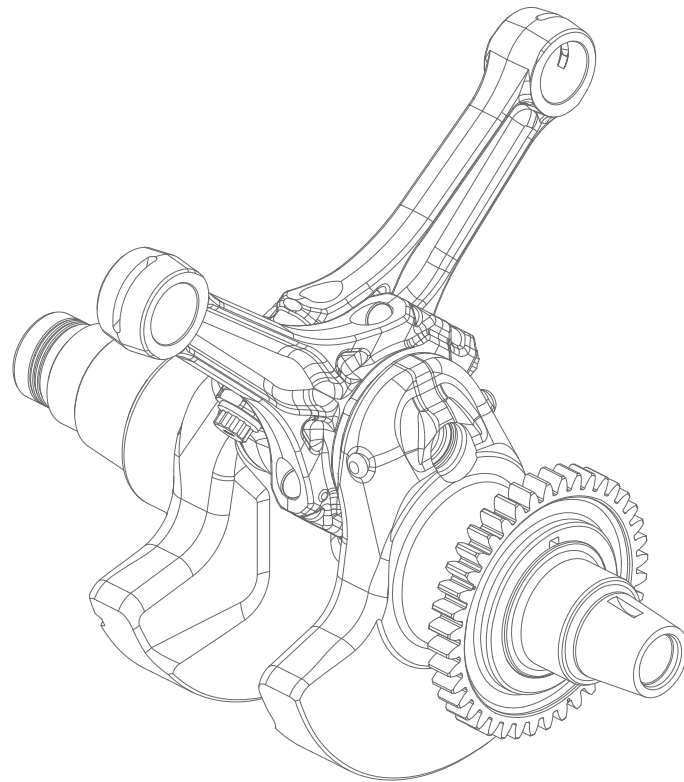
53540

\* NEW PART

X ON DEMAND

# BALANCER SHAFT

Engine 1290 Superduke 2021 2021



POS	PARTNUMBER	PARTNAME	PIECE
1	61230057060	STOP DISK 15,2X25X1	2
2	61730058050	Bearing bolt Ø15x49	1
3	0405151917	needle roller and cage assy. K 15x19x17	1
4	61330058000	BALANCER SHAFT FRONT	1

136033030

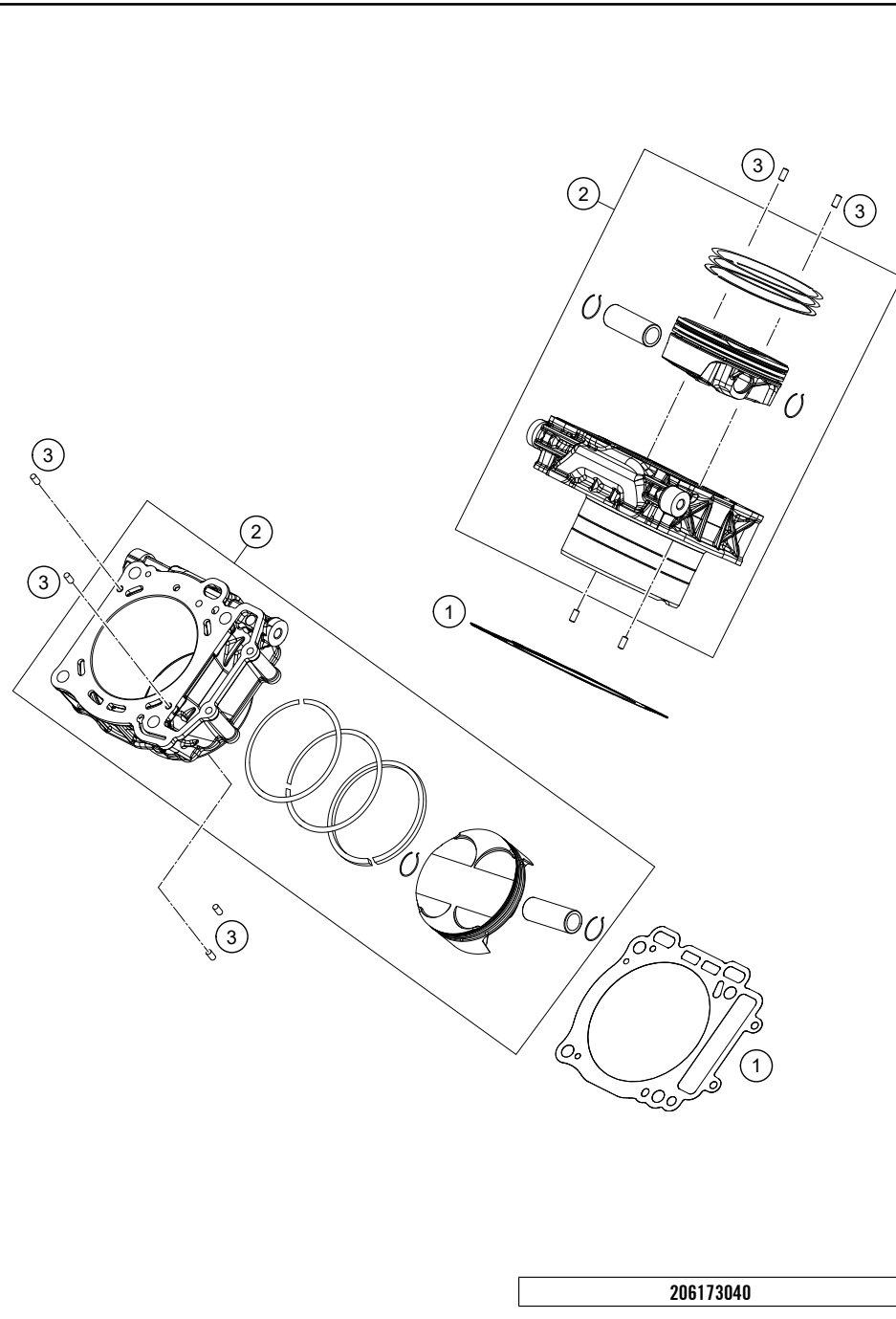
53597

\* NEW PART

X ON DEMAND

# CYLINDER

Engine 1290 Superduke 2021 2021



POS	PARTNUMBER	PARTNAME	PIECE
1	61230035000	CYLINDER BASE GASKET 08	2
2	6173003800024	Piston and cylinder cmpl. d108	2
3	0474050100	GROOVED PIN DIN1474 5X10	8

206173040

53537

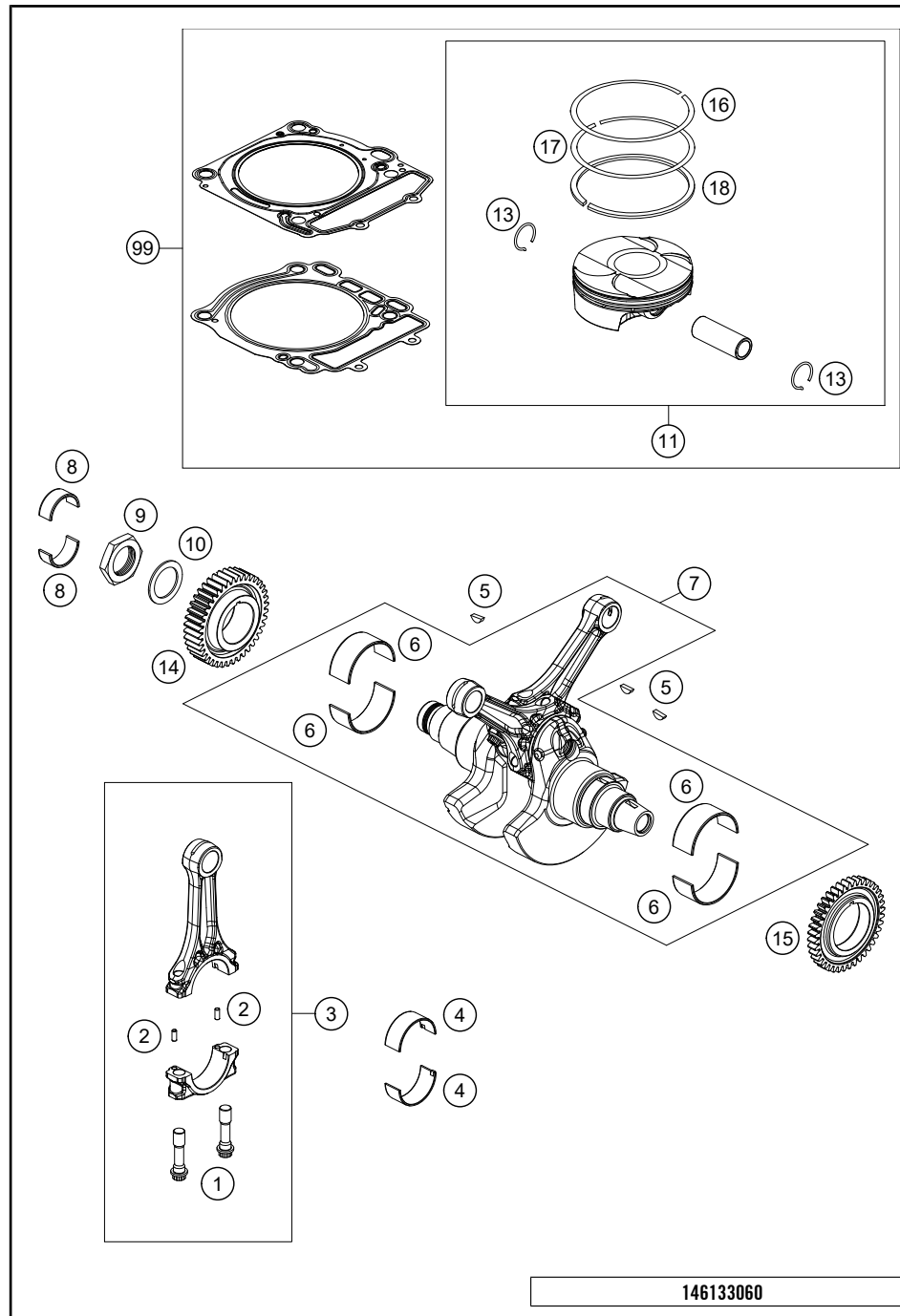
\* NEW PART

X ON DEMAND

ENGINE 6

# CRANKSHAFT, PISTON

Engine 1290 Superduke 2021 2021



POS	PARTNUMBER	PARTNAME	PIECE
1	61230015100	CONNECTING ROD SCREW MJ10X1	4
2	0402040980	NEEDLE ROL.DIN5402 NRB 4X9,8	4
3	61430015000	CON ROD	2
4	612300151101	SPLIT BEAR. BUSH RED	x
4	612300151102	SPLIT BEAR. BUSH BLUE	x
4	612300151103	SPLIT BEAR. BUSH YELLOW	x
5	0888040050	woodruff key DIN 6888 4x5x13	3
6	612300820001	SPLIT BEAR. BUSH RED 08	x
6	612300820002	SPLIT BEAR. BUSH BLUE 08	x
6	612300820003	SPLIT BEAR. BUSH YELLOW 08	x
7	61630018000	Crankshaft complete	1
8	60030026010	BUSHING BOWL 28X32X13 03	2
9	60032009050	HH-NUT M33X1,5 L/S WS46 03	1
10	60032009040	WASHER 33,2X46X2 03	1
11	61730007000 I	Piston cpl. size I	x
11	61730007000 II	Piston cpl. size II	x
13	75030074000	CIRCLIP LC4 07	4
14	61230055000	PRIMARY GEAR	1
15	61230056000	DRIVE WHEEL BALANCER SHAFT 08	1
16	61330030000	RECTANGULAR RING	2
17	61330031000	TAPERED COMP. PISTON RING	2
18	61330032100	OIL SCRAPER RING D108	2
99	61730007010 I	Piston Kit I	x
99	61730007010 II	Piston Kit II	x

146133060

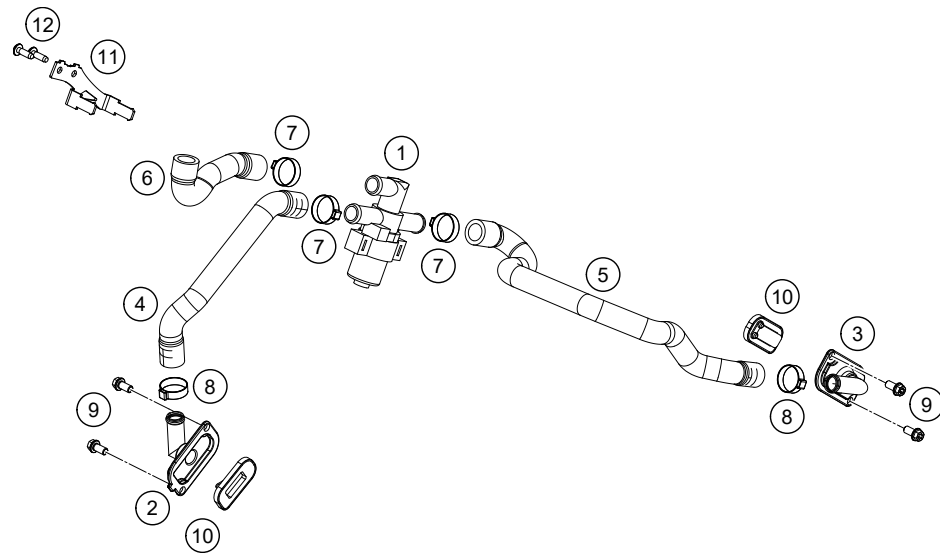
53538

\* NEW PART

X ON DEMAND

# SECONDARY AIR SYSTEM SAS

Engine 1290 Superduke 2021 2021



POS	PARTNUMBER	PARTNAME	PIECE
1	61005026000	CONTROL VALVE SAS 05	1
2	61705022000	Secondary air system flange	1
3	61205032000	SAS-FLANGE	1
4	61705035021	SAS hose cylinder front	1
5	61705035022	SAS hose cylinder back	1
6	61705035023	SAS hose airbox	1
7	00050226706	VARIABLE ONE-EAR CLAMP 22,6MM	3
8	00050220706	VARIABLE ONE-EAR CLAMP 22,0MM	2
9	0025060126	HH collar screw M6x12 TX30	4
10	60005026000	reed valve	2
11	61705021010C1	SAS retaining bracket, black	1
12	0081050161	EJOT PT SCREW K50X16 1451	2

206173130

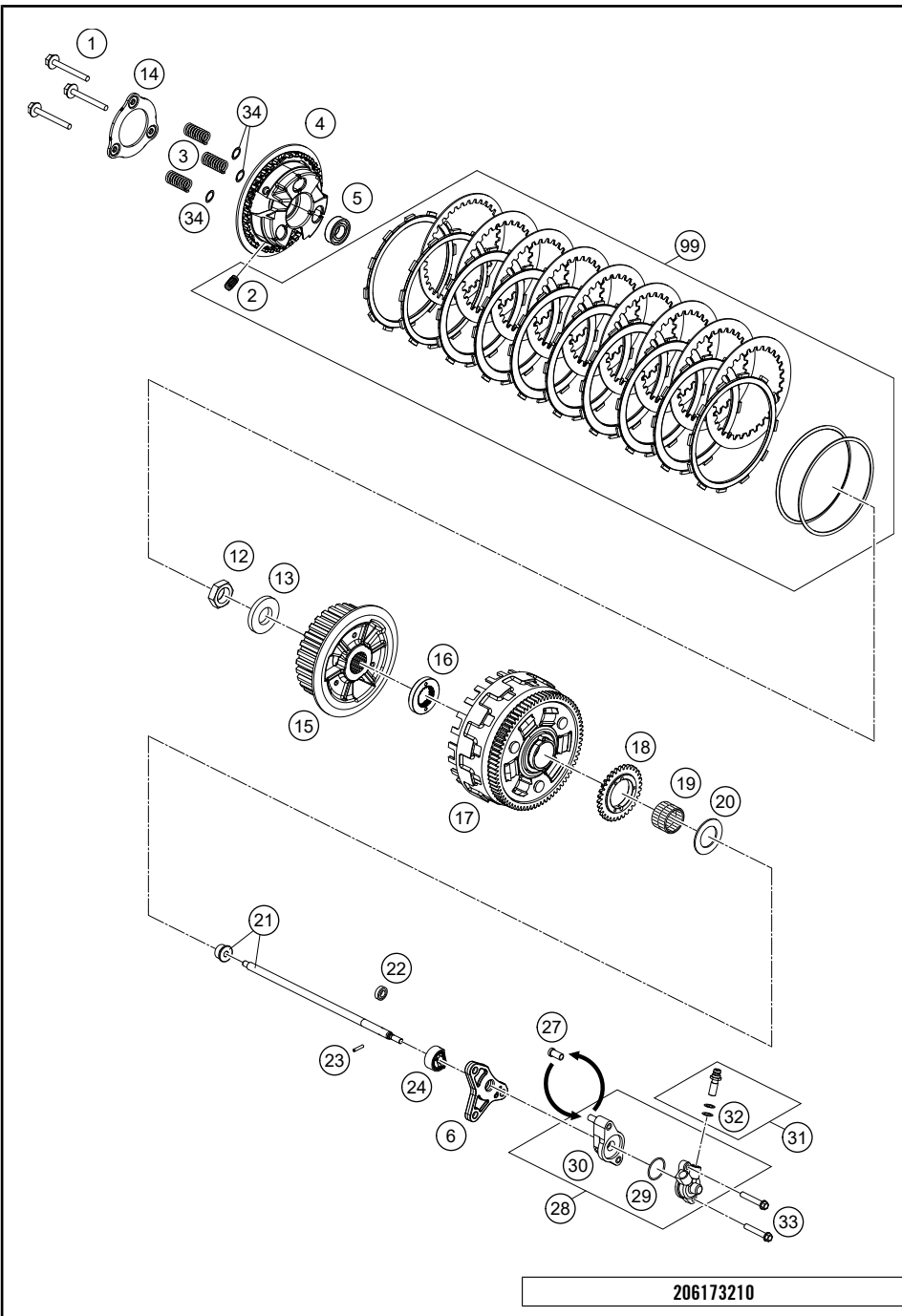
53553

\* NEW PART

X ON DEMAND

# CLUTCH

Engine 1290 Superduke 2021 2021



POS	PARTNUMBER	PARTNAME	PIECE
1	61332044000	HH COLLAR SCREW M6X45 SW10	3
2	61332007000	DAMPER	3
3	61432005000	CLUTCH SPRING ORANGE	3
4	61332003000	PRESSURE CAP	1
5	0625060032	BALL BEARING 6003 JR2 C4	1
6	61232068100	DISTANCE PLATE 7MM	1
12	0936220155	HEXAGON NUT DIN0936-M22X1,5 R.	1
13	0126220373	WASHER DIN0126 22X37X3 MM	1
14	61332006000	ARRESTOR PRESSURE CAP	1
15	61332002000	INNER CLUTCH HUB	1
16	60032021000	SECTION WASHER 03	1
17	61332001044	CLUTCH CAGE CPL.	1
18	60038001132	oil pump gear 32 teeth	1
19	0618303526	NEEDLE BUSH HK 30X35X26	1
20	60032020000	STOP DISK 30,2/50/2	1
21	61232154000	Push rod assembly 117mm	1
22	0760091862	SHAFT SEAL RING 9X18X06 B-NBR	1
23	0402031780	NEEDLE ROL.DIN5402 NRB 3X17,8	1
24	61232069000	PUSH ROD GUIDE	1
27	61232061051	SLEEVE CLUTCH CONTR.	2
28	60032061344	SLAVE CYLINDER CPL. LC8 DOT	1
29	60032065000	O-RING GASKET 03	1
30	60032061050	DISTANCE CLUTCH CONTR. CPL.	1
31	50332062000	HOLLOW SCREW CPL. M 10X1 '98	1
32	0603100141	sealing ring DIN 7603 10x14x1	2
33	0025060556	HH collar screw M6x55 TX30	2
34	61332004000	SUPPORT CLUTCH SPRING	3
99	61732011010	Clutch kit	x

206173210

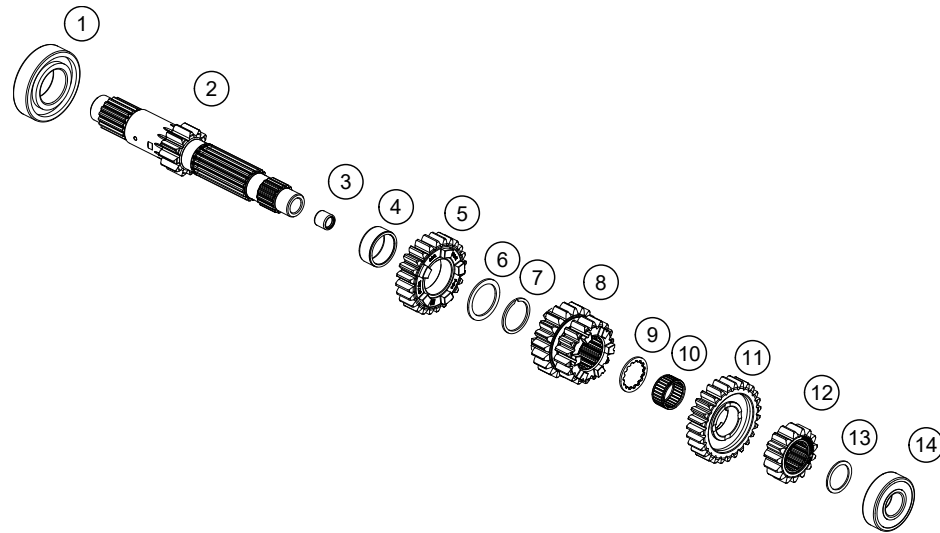
53638

\* NEW PART

X ON DEMAND

# TRANSMISSION I - MAIN SHAFT

Engine 1290 Superduke 2021 2021



POS	PARTNUMBER	PARTNAME	PIECE
1	0625062062	BALL BEARING 6206 C3 J1 NSK	1
2	61733001000	Main shaft 12 teeth	1
3	0618091312	NEEDLE BUSH HK0912 9/13/12 03	1
4	0405263113	NEEDLE BEAR. K 26-31-13	1
5	61733005000	Idler gear, 5th gear	1
6	61233042000	STOP DISK 27,9/35,75/1,5	1
7	0417270150	LOCK RING SW 27	1
8	61733003000	Sliding gear 3rd/4th gear	1
9	61233041000	STOP DISK 22,2/30,2/1,5	1
10	0405222613	NEEDLE BEAR. K 22X26X13 TN	1
11	61733006000	Idler gear, 6th gear	1
12	61733002000	Fixed gear 2nd gear	1
13	60033040015	STOP DISK 20,2X28X1,5	x
13	60033040016	STOP DISK 20,2/28/1,6	x
13	60033040017	STOP DISK 20,2/28/1,7	x
13	60033040018	STOP DISK 20,2/28/1,8	x
13	60033040019	STOP DISK 20,2/28/1,9	x
13	60033040020	STOP DISK 20,2/28/2,0	x
13	60033040021	STOP DISK 20,2/28/2,1	x
13	60033040022	STOP DISK 20,2/28/2,2	x
14	0625062040	BALL BEARING 6204 DU J1 C3	1

206173330

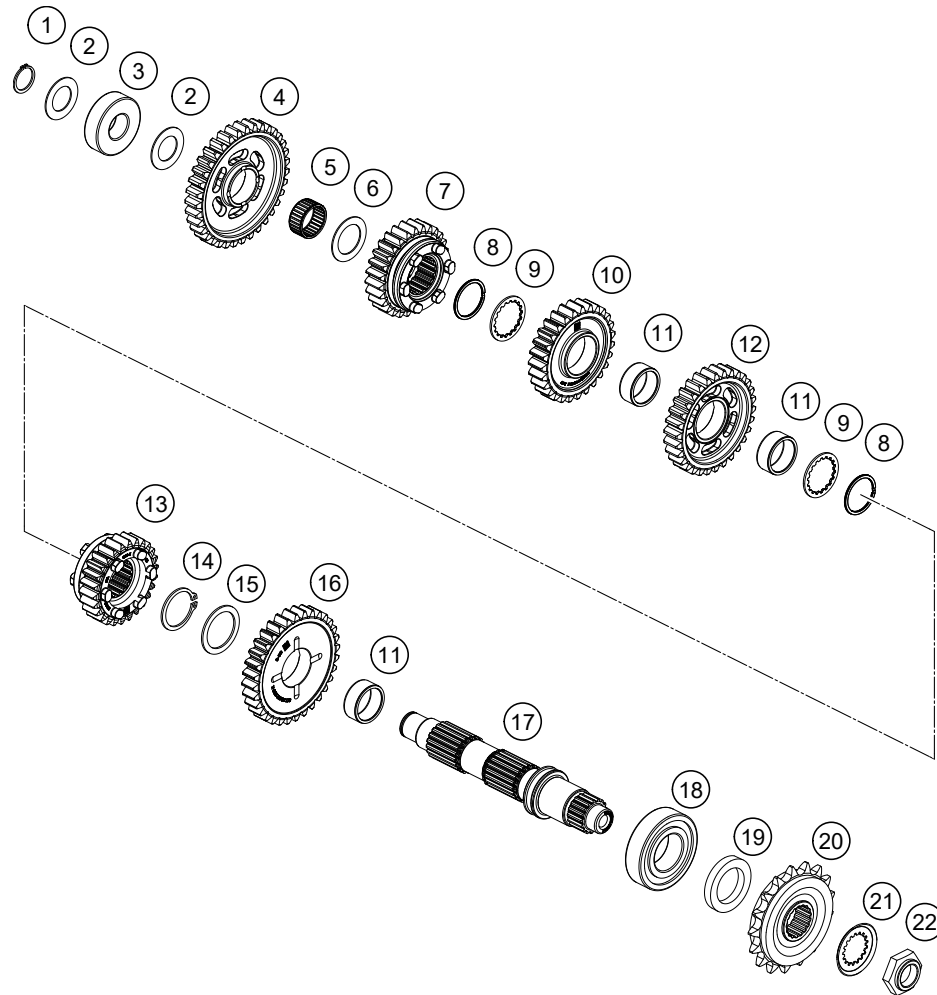
53533

\* NEW PART

X ON DEMAND

# TRANSMISSION II - COUNTERSHAFT

Engine 1290 Superduke 2021 2021



POS	PARTNUMBER	PARTNAME	PIECE
1	0471200120	CIRCLIP DIN471 20X1,2	1
2	60033043000	STOP DISK 20,2 X 34 X 1	2
3	0625062043	BALL BEARING 6204 J1 C3	1
4	61733011000	Idler gear, 1st gear	1
5	0405242813	NEEDLE BEAR. K 24X28X13 TN	1
6	60033044000	STOP DISK 24,3/35,75/1	1
7	61733015000	Sliding gear, 5th gear	1
8	0471029000	TWISTED CIRCLIP D29	2
9	61233045000	STOP DISK 27/36/1,5	2
10	61733014000	Idler gear, 4th gear	1
11	0405263113	NEEDLE BEAR. K 26-31-13	3
12	61733013000	Idler gear, 3rd gear	1
13	61733016000	Sliding gear, 6th gear	1
14	0471300150	CIRCLIP DIN471 30x1,5	1
15	61233046000	STOP DISK 29,9/39/1,5	1
16	61733012000	Idler gear, 2nd gear	1
17	61733010000	Countershaft	1
18	50330082000	CYL.ROLLER BEAR.NJ206 ET2XCS46	1
19	0760304772	SH.SEAL RING 30X47X7 BSL VITON	1
20	60033129017	CHAIN SPROCKET 17-T DAMPED 03	1
21	60033034000	SECURING PLATE TOOTHED 03	1
22	60033035000	HEXAGON NUT M20X1,5 03	1

206173360

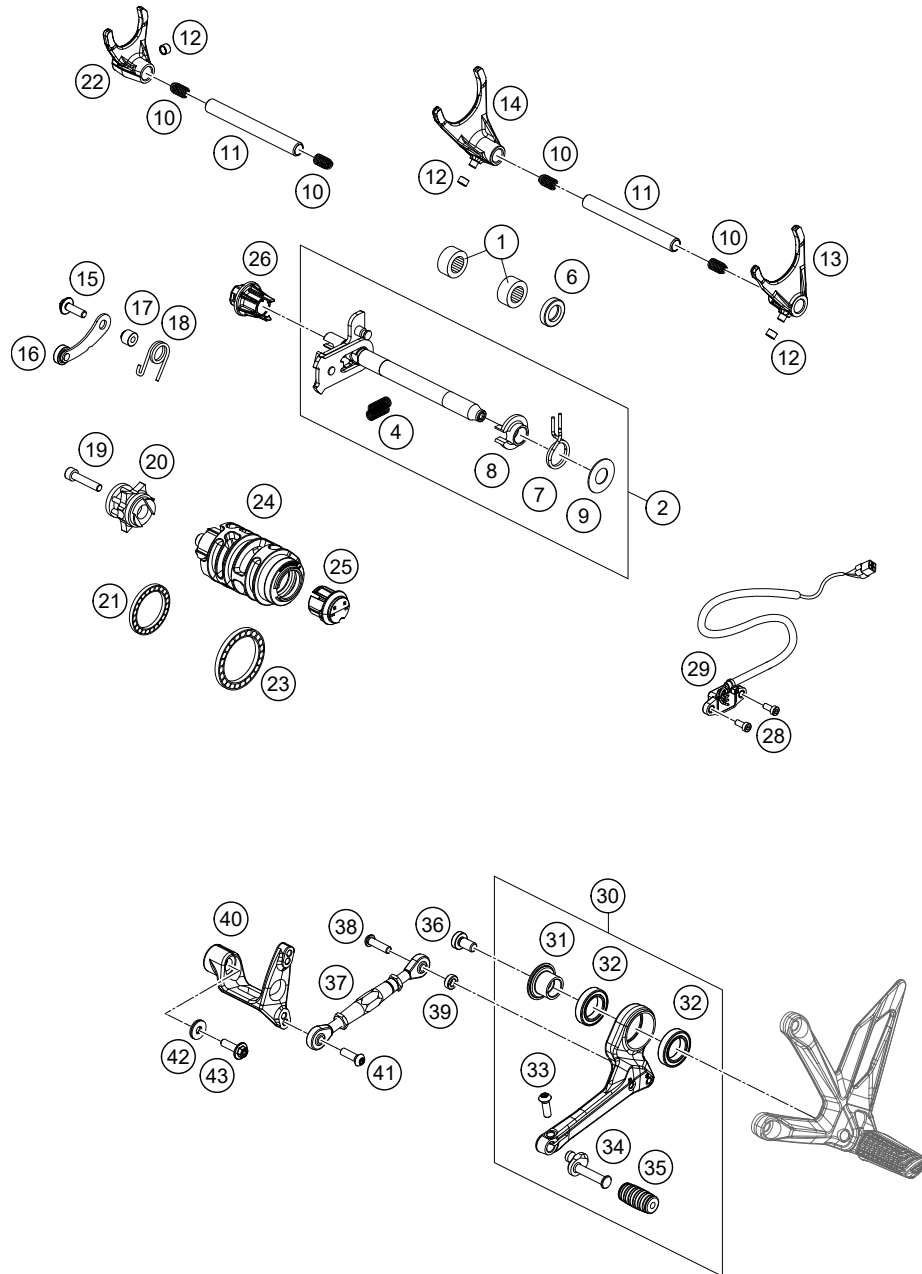
53534

\* NEW PART

X ON DEMAND

# SHIFTING MECHANISM

Engine 1290 Superduke 2021 2021



216173410

POS	PARTNUMBER	PARTNAME	PIECE
1	54632095000	needle sleeve HK 1412 14x20x12	2
2	61434005044	SHIFT SHAFT CPL.	1
4	56534013100	TENSIONING SPRING 0,8MM	1
6	0760142460	radial shaft seal 14x24x6 B	1
7	61434014000	RETURN SPRING 2.3 MM	1
8	54634020000	SPRING GUIDE	1
9	54634050000	STOP DISK 14X30X1	1
10	58038023200	PRESSURE SPRING 0,9MM	4
11	59034020000	SHIFT RAIL 11,8X105MM	2
12	50334018100	SHIFTING ROLLER 6X8X5,2	3
13	61734002000	Shift fork 2/3 gear	1
14	61734001000	Shift fork 1/4 gear	1
15	0024060206S	HH collar screw M6x20 TX30	1
16	61434024000	LOCKING LEVER CPL.	1
17	75034052000	SLEEVE FOR LOCKING LEVER 07	1
18	61234023000	SPRING - LOCKING LEVER	1
19	0912060309S	Hexagon socket screw, DIN0912-M 6X30 12.	1
20	61434015000	SHIFT LOCATING DRUM CPL.	1
21	0625618050	BALL BEARING 61805 C3	1
22	61734003000	Shift fork 5/6 gear	1
23	0625068080	GROOVED BALL BEARING 6808 JRC3	1
24	61734012001	Selector drum 6 gear	1
25	79234012020	magnet holder cpl.	1
26	61434050000	MAGNET HOLDER	1
28	0984050143S	CYL. SCREW DIN6912 M5X14 8.8	2
29	60411023000	GEAR POSITION SENSOR	1
30	61734031033C1	Gear shift lever cpl.	1
31	61703038050	Bearing bush	1
32	0625203205	Grooved ball bearing 61804-2RS1	2
33	0738060185	Round head scr. ISR M6x18-A2-70	1
34	61734032000C1	Gear shift lever, foot peg	1
35	61734035000	Rubber Step Shiftlever	1
36	0035080156S	AH-COLLAR SCREW M8X15 TORX45	1
37	61334036044	SHIFT ROD CPL.	1
38	0738060225S	Oval head screw ISR M6x22-A2-70-MK	1
39	61703038060C1	Spacer bushing	1
40	61734030000C1	Gear linkage	1
41	0738060205S	Oval head screw ISR M6x20-A2-70-MK	1

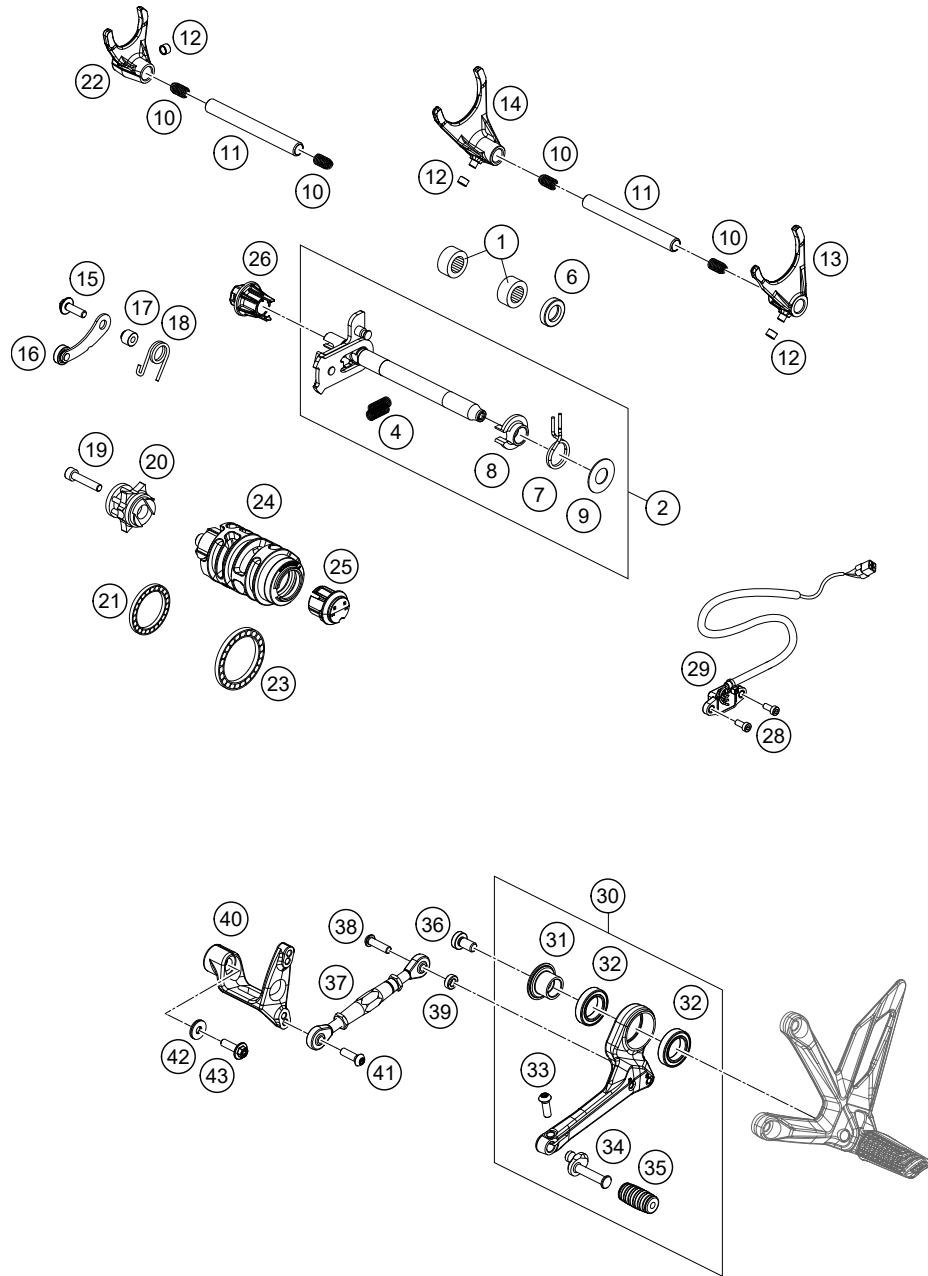
55466

\* NEW PART

X ON DEMAND

# SHIFTING MECHANISM

Engine 1290 Superduke 2021 2021



POS	PARTNUMBER	PARTNAME	PIECE
42	50233041500	PAIR NORDLOCK WASHER M6	1
43	0024060206S	HH collar screw M6x20 TX30	1

216173410

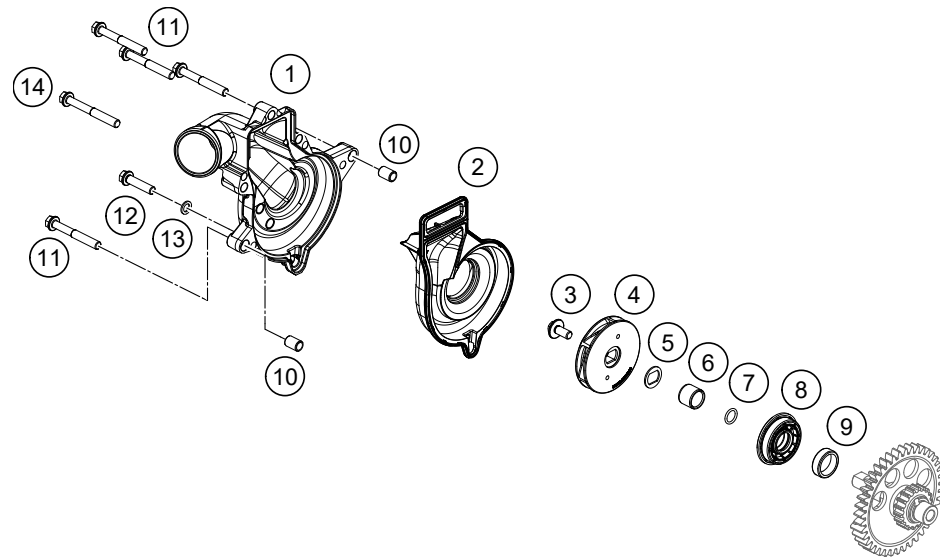
55466

\* NEW PART

X ON DEMAND

# WATER PUMP

Engine 1290 Superduke 2021 2021



POS	PARTNUMBER	PARTNAME	PIECE
1	6173505201041	Water pump cover	1
2	61735052030	Water pump cover, insert, cmpl.	1
3	0024060136S	HH Collar screw M6x13 TX30 SL	1
4	60335055100	WATER PUMP WHEEL CPL.	1
5	60035055150	double-d washer 16x1 SST	1
6	77236072120	Wear bushing 12/15/12,5	1
7	0770090015	O-RING 9X1,5 NBR	1
8	0760153459	radial shaft seal 34.5x15x9 Duo	1
9	61330157050	SLIDE BEARING	1
10	59030023000	dowel sleeve 6x8x11.5	2
11	0025060456	HH COLLAR SCREW M6X45 TX30	4
12	0025060256	HH collar screw M6x25 TX30	1
13	0603061001	CU-SEAL RING DIN7603-6X10X1	1
14	0025060506	HH collar screw M6x50 TX30	1

206173510

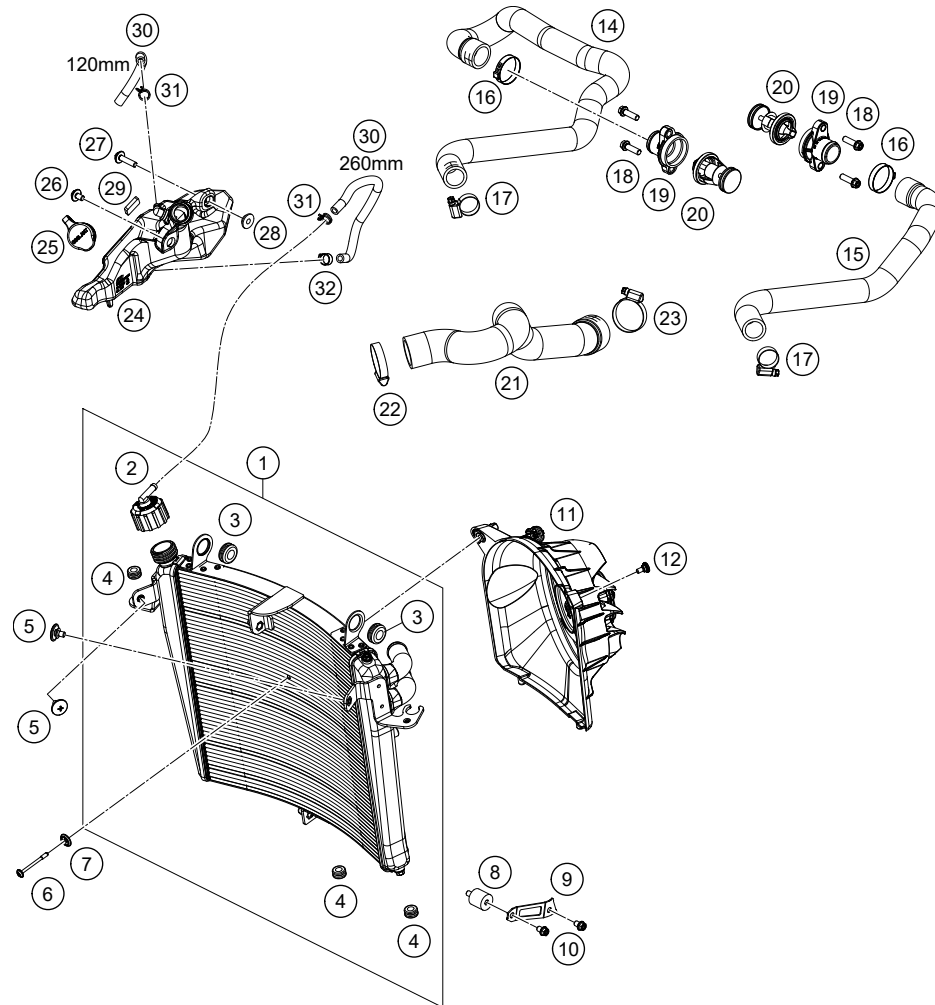
53562

\* NEW PART

X ON DEMAND

# COOLING SYSTEM

# Engine 1290 Superduke 2021 2021



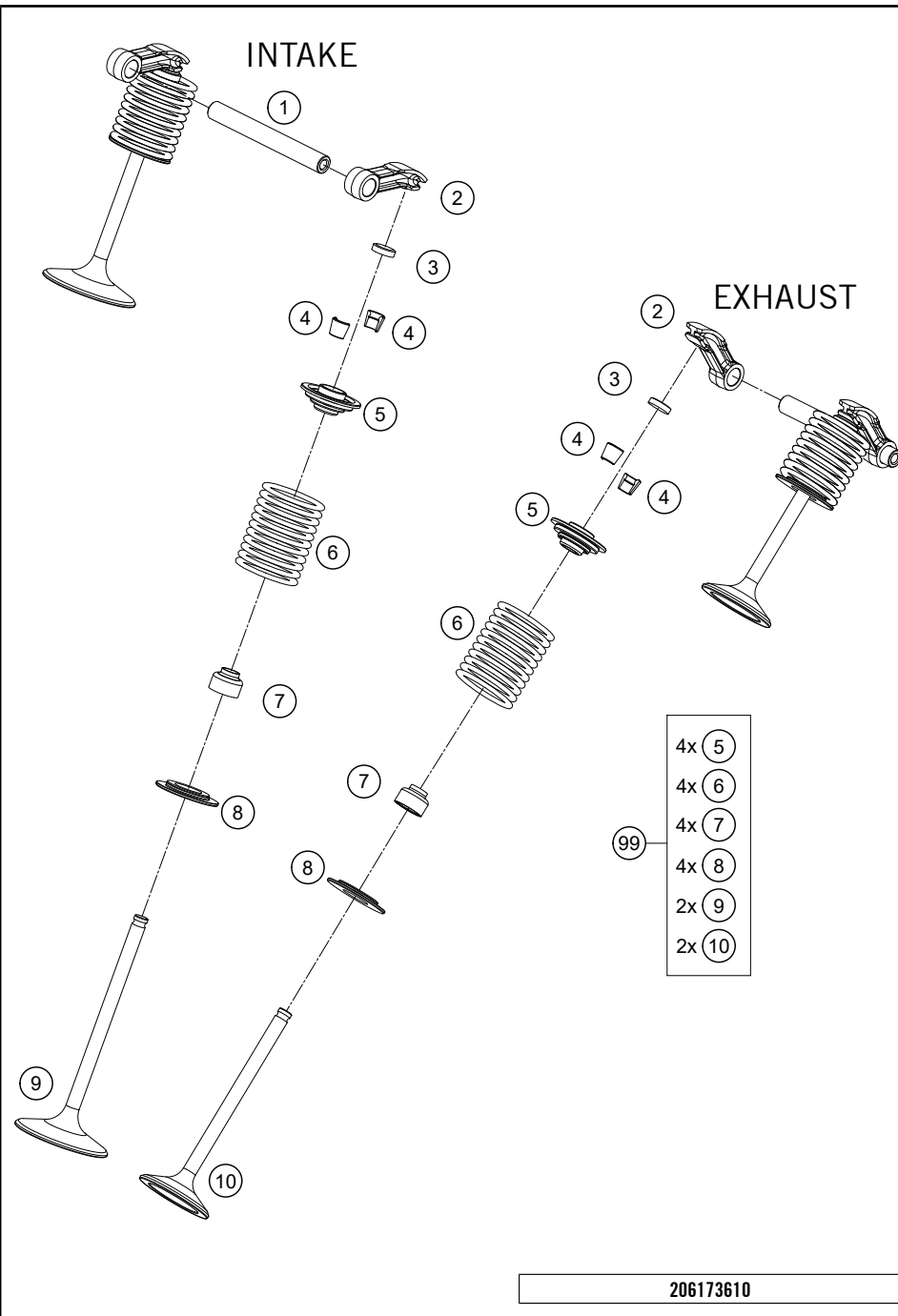
POS	PARTNUMBER	PARTNAME	PIECE
1	61735010000	Radiator	1
2	62535009000	RADIATOR CAP 1,4 BAR	1
3	41001052000	RUBBER SLEEVE D=12MM	2
4	31008060000	rubber grommet D=8mm open	3
5	0900000601200	Seat screw M6x11.5 ISA30	2
6	69135015	Screw K40x46/10	1
7	69150036	Washer	1
8	90235001001	silentbloc M6	1
9	61735005000C1	Fixing sheet bottom	1
10	0025060086	HH collar screw M6x8 TX30	2
11	61735044033	Radiator fan cover cmpl.	1
12	69008021160	special screw M5x12	1
14	61735026000	Pre-formed hose, cylinder, front	1
15	61735025000	Pre-formed hose, cylinder, rear	1
16	00050331706	VARIABLE ONE-EAR CLAMP 33,1MM	2
17	76235028000	HOSE CLAMP GEMI 20-32 MM	2
18	0025060206	HH collar screw M6x20 TX30	4
19	61235019100	WATER CONNECTION CPL.	2
20	61235017000	THERMOSTAT 70 DEGREE	2
21	61735027000	Pre-formed hose coolant pump-radiator	1
22	10001120000	CLAMP 25-40 SGT 4	1
23	0310001204200	Spring band clamp D42mm	1
24	61735065000	Water compensating tank	1
25	61935065010	Reservoir cover	1
26	0024060106	HH COLLAR SCREW M6X10 TX30	1
27	0024060256	HH COLLAR SCREW M6X25 TX30	1
28	59032006050	SPRING RETAINER 6,2X12X18X5,2	1
29	61408015030	METAMOLL F. TAIL LIGHT COVER	1
30	60035067001	HOSE 6X10 EPDM 03	x
31	58007117000	YDNAC-CLAMP 10107 10MM	2
32	00050119706	steplless one-ear clamp	1

206173530

55496

\* NEW PART

X ON DEMAND



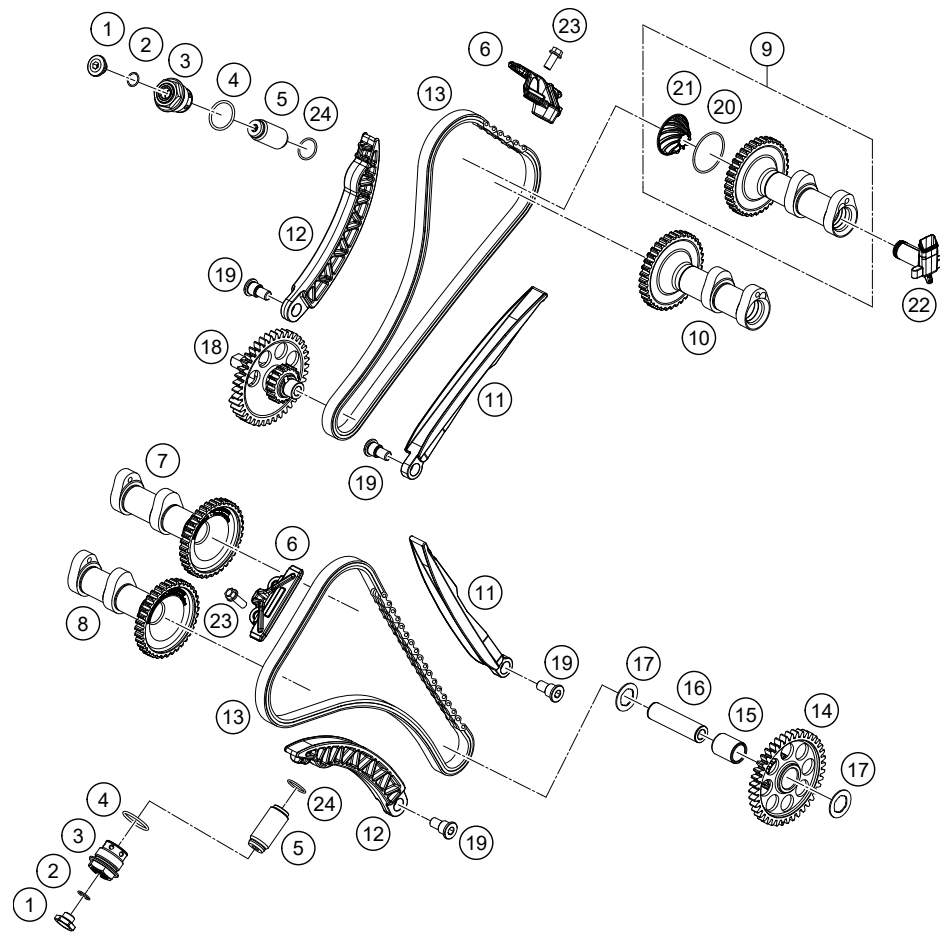
POS	PARTNUMBER	PARTNAME	PIECE
1	61236056000	VALVE LEVER SHAFT 08	4
2	61236060000	VALVE LEVER 08	8
3	60036035200	SHIM D=10/2,00 03	x
3	60036035205	SHIM D=10/2,05 03	x
3	60036035210	SHIM D=10/2,10 03	x
3	60036035215	SHIM D=10/2,15 03	x
3	60036035220	SHIM D=10/2,20 03	x
3	60036035225	SHIM D=10/2,25 03	x
3	60036035230	SHIM D=10/2,30 03	x
3	60036035235	SHIM D=10/2,35 03	x
3	60036035240	SHIM D=10/2,40 03	x
3	60036035245	SHIM D=10/2,45 03	x
3	60036035250	SHIM D=10/2,50 03	x
3	60036035255	SHIM D=10/2,55 03	x
3	60036035260	SHIM D=10/2,60 03	x
3	60036035265	SHIM D=10/2,65 03	x
3	60036035270	SHIM D=10/2,70 03	x
3	60036035275	SHIM D=10/2,75 03	x
3	60036035280	SHIM D=10/2,80 03	x
3	60036035285	SHIM D=10/2,85 03	x
3	60036035290	SHIM D=10/2,90 03	x
3	60036035295	SHIM D=10/2,95 03	x
3	60036035300	SHIM D=10/3,00 03	x
3	60036035305	SHIM D=10/3,05 03	x
3	60036035310	SHIM D=10/3,10 03	x
3	60036035315	SHIM D=10/3,15 03	x
3	60036035320	SHIM D=10/3,20 03	x
3	60036035330	SHIM D=10/3,3	x
4	78036033000	VALVE COLLET LK 6H	16
5	61236032300	Valve spring retainer	8
6	61236028100	VALVE SPRING NHK	8
7	59036027000	VALVE-STEM SEALING RACING	8
8	61236036100	VALVE SPRING HOLDER	8
9	61236030100	INTAKE VALVE	4
10	61236031400	EXHAUST VALVE	4
99	61236030210	Valve kit 1290 Superduke	1

\* NEW PART

X ON DEMAND

# TIMING DRIVE

# Engine 1290 Superduke 2021 2021



POS	PARTNUMBER	PARTNAME	PIECE
1	77236080100	threaded plug	2
2	0770010010	o-ring 10.00x1.00 NBR70	2
3	61236008200	chain tension adjuster plug cpl.	2
4	0770220020	o-ring 22.00x2.00 NBR70	2
5	77036003000	CHAIN ADJUSTER HYD. 05	2
6	61236005000	GUIDE RAIL TOP 08	2
7	61336009000	CAMSHAFT INTAKE - FRONT	1
8	61336010100	CAMSHAFT EXHAUST - FRONT	1
9	61336109044	CAMSHAFT INRE CPL.	1
10	61336110100	CAMSHAFT EXHAUST - REAR	1
11	61236001000	GUIDE RAIL 08	2
12	61236002000	TENSIONER RAIL 08	2
13	61236113000	TIMING CHAIN 118 ROLLS	2
14	61230057100	TIMING DRIVE IDLER GEAR L/S	1
15	0405151924	NEEDLE BEARING K 15X19X24ZW	1
16	61230057050	BEARING BOLT 15X57,5 08	1
17	61230057060	STOP DISK 15,2X25X1	2
18	61330157000	IDLER GEAR R/S	1
19	61236002050	hex socket head shoulder screw	4
20	0770034015	O-RING 34X1,5 VITON	1
21	61236080100	CENTRIFUGE CONE	1
22	61236081000	ANGLE PIECE F. BREATHER SYSTEM	1
23	0025060206	HH collar screw M6x20 TX30	4
24	0770180020	o-ring 18.00x2.00 NBR70	2

206173620

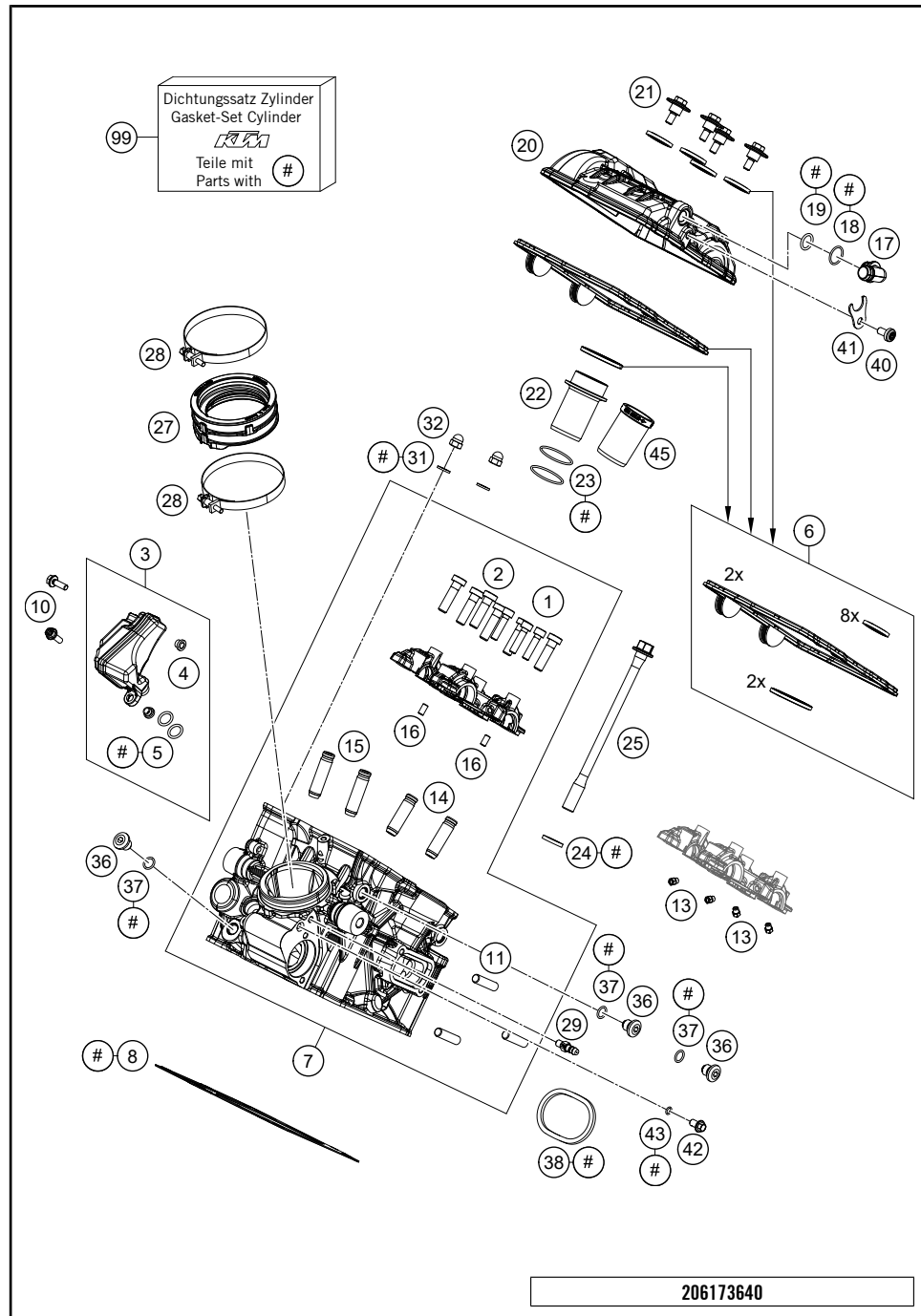
53654

\* NEW PART

X ON DEMAND

# CYLINDER HEAD REAR

# Engine 1290 Superduke 2021 2021



POS	PARTNUMBER	PARTNAME	PIECE
1	0984080305	AH SCREW DIN7984-M 8X30 10.9	6
2	0912060255	AH SCREW DIN0912-M 6X25 10.9	3
3	61736065000	Resonator chamber cmpl.	1
4	78003023070	SPACER BUSH. SPRING BRACKET	2
5	0770110021	O-RING 11X2 VITON	2
6	61736099000	Valve cover seal kit	1
7	6173632000024	Cylinder head rear	1
8	61330036085	CYLINDER HEAD GASKET 0,85	1
10	0025050166	HH collar screw M5x16 TX30	2
11	0835080165	STUD M 8X16 10.9	3
13	60030063050	oil jet 50 M5	4
14	61236026001	VALVE GUIDE EXHAUST 08	2
15	61236025001	VALVE GIUDE INTAKE 6MM	2
16	0402050980	needle roller DIN 5402 5x9.8	2
17	61236082200	Elbow fitting	1
18	0770150151	O-RING 15,00X1,50 VITON	1
19	0770120020	O-RING 12,00X2,00 NBR 70	1
20	6173615200033	Rear valve mechanism cover	1
21	60036052020	collar screw M 6 WS=10 03	4
22	61736075000	Spark plug shaft insert	1
23	0770298178	O-RING 29,87X1,78 VITON	2
24	61236079050	WASHER 11,1X20X3 08	4
25	61236079000	CYLINDER HEAD SCREW 08	4
27	61336044000	INTAKE BOOT	1
28	61336048000	HOSE CLAMP GEMI 75	2
29	60036023200	VACUUM CONNECTION M6/0.75MM	1
31	0125060003	WASHER DIN0125-A 6,4	2
32	61230045000	CAP NUT M6 STAINLESS STEEL	2
36	77336056095	SCREW PLUG	3
37	07700900151	O-RING 9x1,5 V80 SH	3
38	69005005100	EXHAUST PIPE FLANGE GASKET	1
40	0080060123	EJOT ALtracs 60x12 TX30	1
41	61236082150	connecting angle retaining plate	1
42	59036006090	VENT SCREW M6X10 CPL.	1
43	0770050012	O-RING 5,0X1,2 NBR 70	1
45	61336074100	INSERT SPARK-PLUG SHAFT	1
99	61730097000	Gasket kit cylinder+head f+r	1

206173640

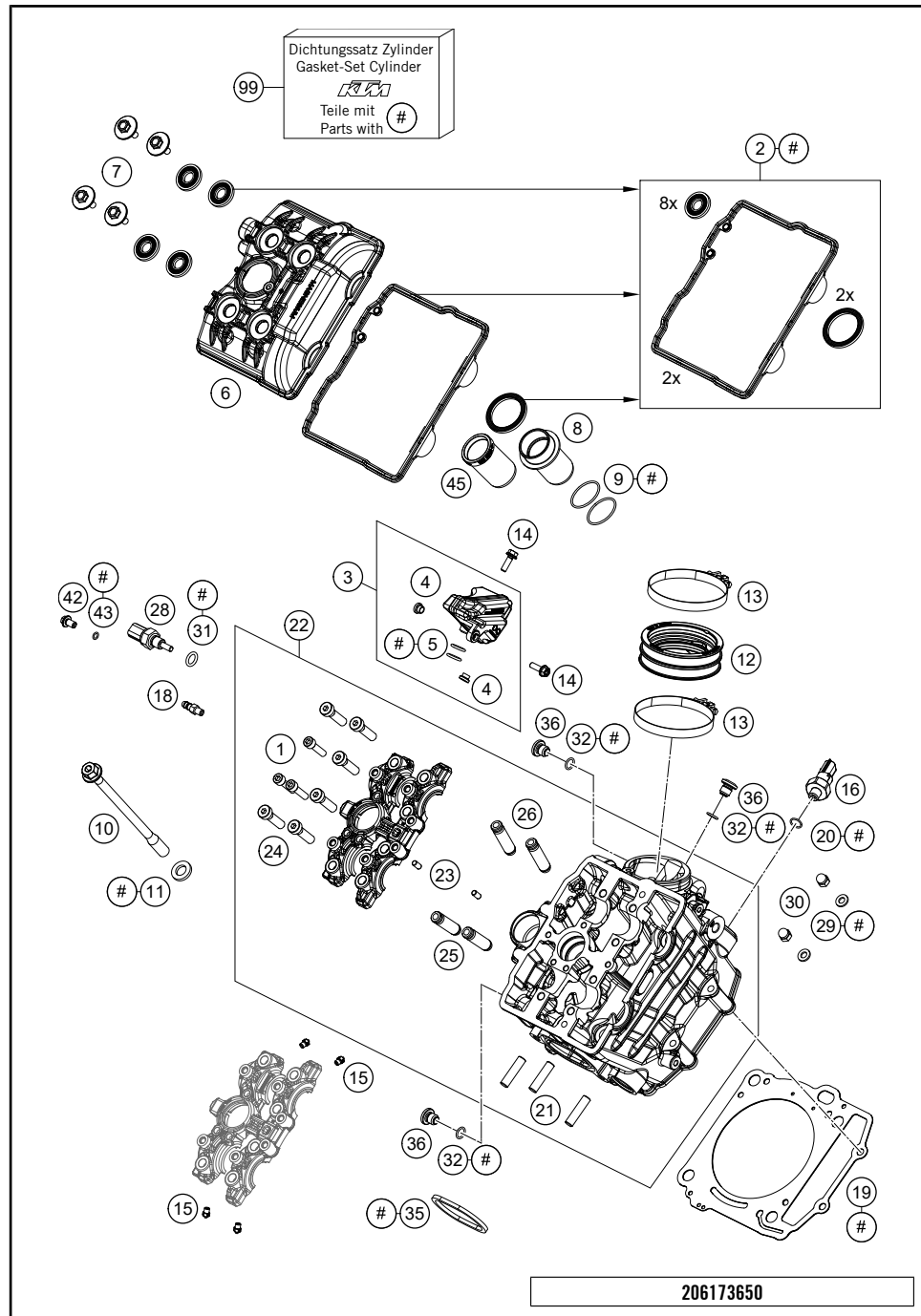
53564

\* NEW PART

X ON DEMAND

# CYLINDER HEAD FRONT

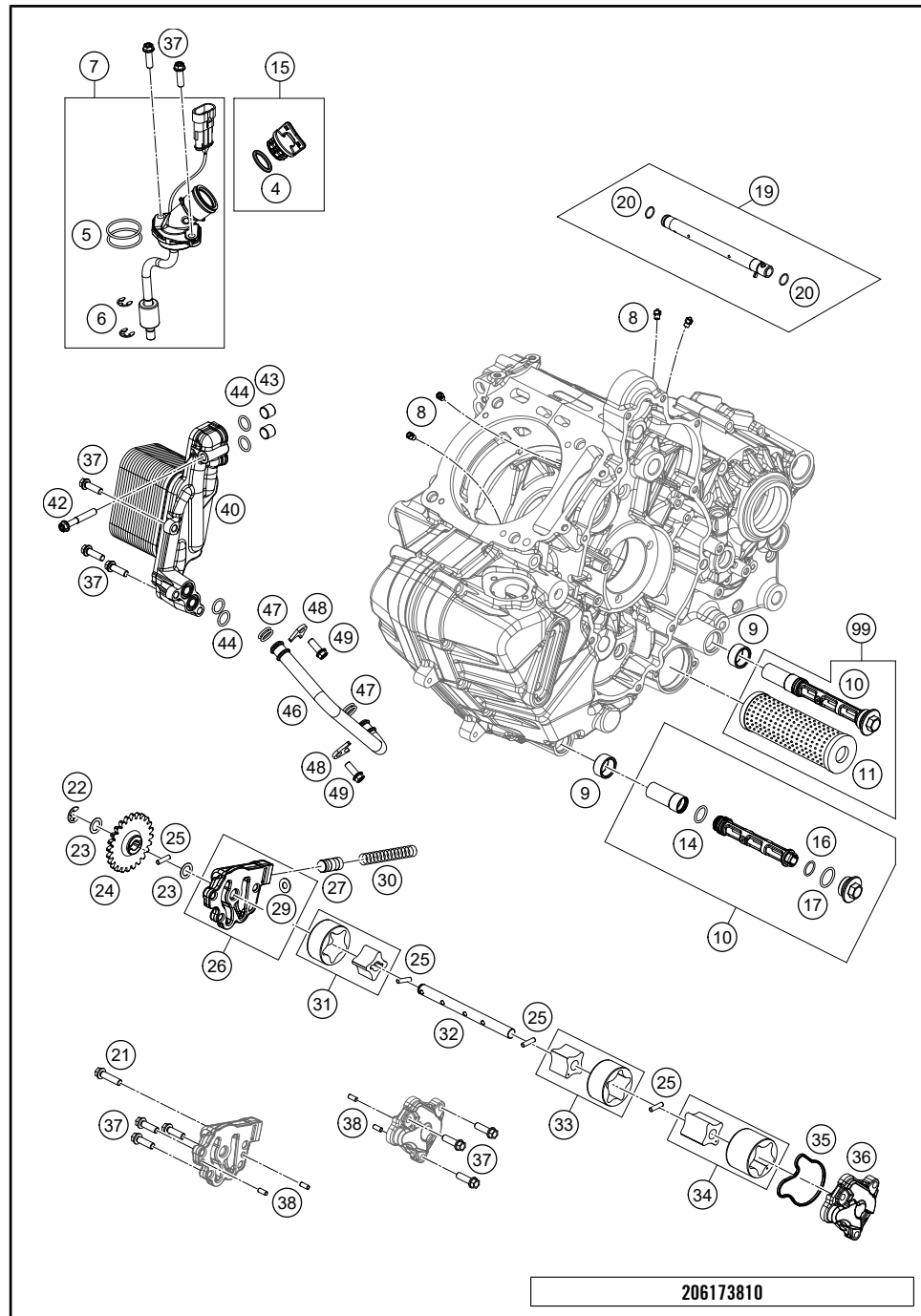
# Engine 1290 Superduke 2021 2021



POS	PARTNUMBER	PARTNAME	PIECE
1	0912060255	AH SCREW DIN0912-M 6X25 10.9	3
2	61736099000	Valve cover seal kit	1
3	61736065000	Resonator chamber cmlp.	1
4	78003023070	SPACER BUSH. SPRING BRACKET	2
5	0770110021	O-RING 11X2 VITON	2
6	6173605200033	Front valve mechanism cover	1
7	60036052020	collar screw M 6 WS=10 03	4
8	61736075000	Spark plug shaft insert	1
9	0770298178	O-RING 29,87X1,78 VITON	2
10	61236079000	CYLINDER HEAD SCREW 08	4
11	61236079050	WASHER 11,1X20X3 08	4
12	61336044000	INTAKE BOOT	1
13	61336048000	HOSE CLAMP GEMI 75	2
14	0025050166	HH collar screw M5x16 TX30	2
15	60030063050	oil jet 50 M5	4
16	61238091000	oil pressure switch "BITRON"	1
18	60036023200	VACUUM CONNECTION M6/0.75MM	1
19	61330036085	CYLINDER HEAD GASKET 0,85	1
20	0770080015	O-RING 8,00X1,5 NBR 70	1
21	0835080165	STUD M 8X16 10.9	3
22	6173622000024	cylinder head front	1
23	0402050980	needle roller DIN 5402 5x9.8	2
24	0984080305	AH SCREW DIN7984-M 8X30 10.9	6
25	61236026001	VALVE GUIDE EXHAUST 08	2
26	61236025001	VALVE GIUDE INTAKE 6MM	2
28	79435047000	water temperature sensor	1
29	0125060003	WASHER DIN0125-A 6,4	2
30	61230045000	CAP NUT M6 STAINLESS STEEL	2
31	0770100020	o-ring 10.00x2.00 silicone	1
32	07700900151	O-RING 9x1,5 V80 SH	2
35	69005005100	EXHAUST PIPE FLANGE GASKET	1
36	77336056095	SCREW PLUG	2
42	59036006090	VENT SCREW M6X10 CPL.	1
43	0770050012	O-RING 5,0X1,2 NBR 70	1
45	61336074100	INSERT SPARK-PLUG SHAFT	1
99	61730097000	Gasket kit cylinder+head f+r	1

53572

\* NEW PART X ON DEMAND



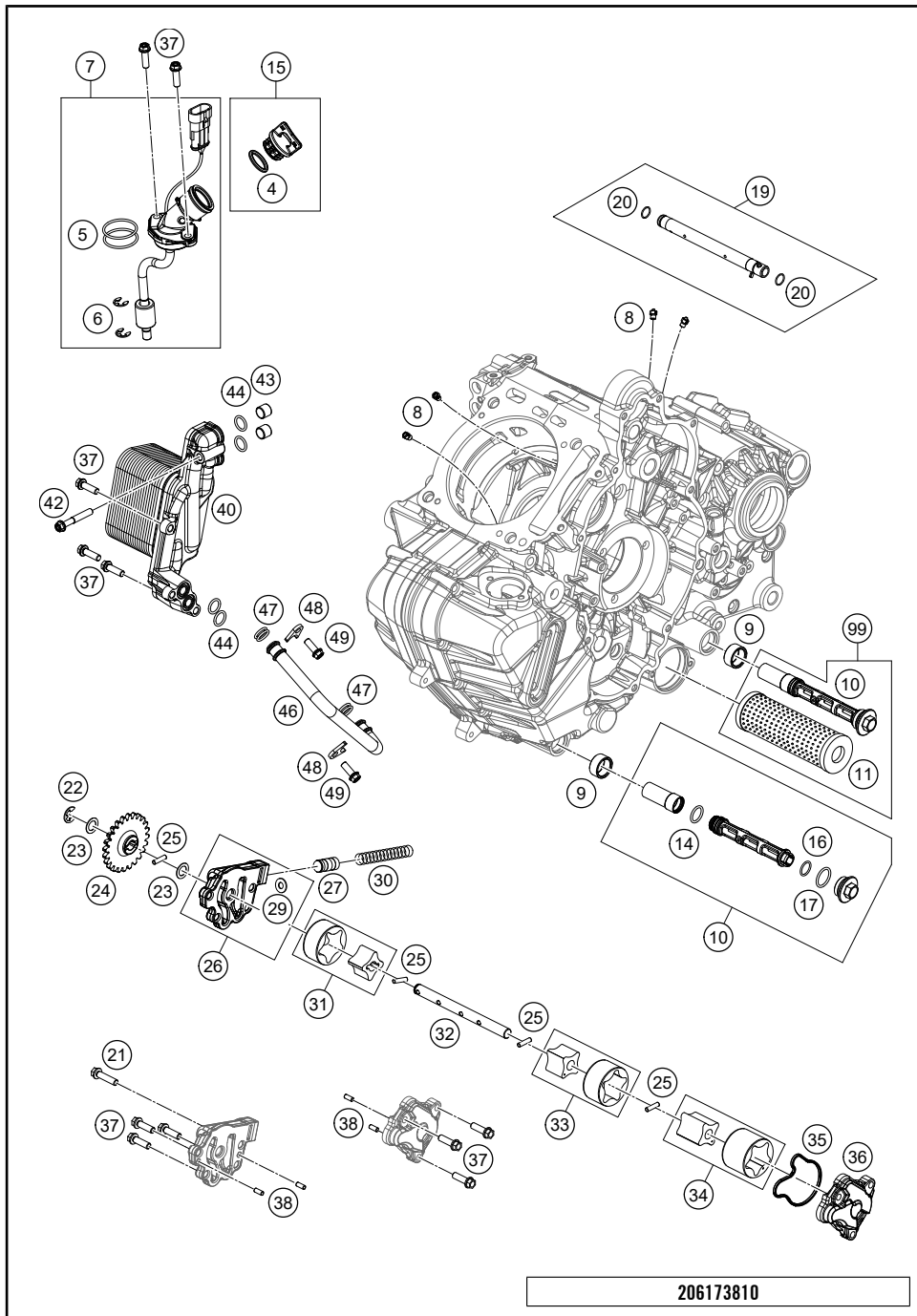
POS	PARTNUMBER	PARTNAME	PIECE
4	0770191015	O-RING 19,00X3,00 NBR	1
5	0770300020	O-RING 30X2,0 FPM	2
6	0799070000	TAB WASHER DIN6799-RS 7,0	2
7	61338085000	OIL INFILLING PIPE CPL.	1
8	60030063070	oil jet 70 M5	4
9	61238017000	OIL SCREEN BUSHING 08	2
10	61238021100	oil screen cpl.	2
11	61338015200	OIL FILTER	1
14	0770140200	O-RING 14,00X2,00	2
15	58030120000	OIL FILLER CAP M24x3 W. O-R	1
16	0770125015	O-RING 12,5X1,5 NBR	2
17	0770170200	O-RING 17,00X2,00	2
19	61230065000	OIL INJECTION TUBE CPL. 08	1
20	0770010010	o-ring 10.00x1.00 NBR70	2
21	0025060256S	SK-BUNDSCHRAUBE M6X25 ISA30	1
22	0799080000	retaining washer DIN 6799 - 8	1
23	60038007010	washer 10x16x0.5	2
24	60038001224	oil pump gear 24 teeth	1
25	0402041580	needle roller NRB 4x15.8 G2	4
26	61238009144	PRESSURE PUMP COVER CPL.	1
27	60038128000	control piston	1
29	50337073000	shim	1
30	61438026000	Oil pressure spring	1
31	60038009000	ROTOR-SET 19MM 03	1
32	61238002000	OIL PUMP SHAFT 08	1
33	61238011100	ROTOR SET 22MM	1
34	61238010100	eaton pump set 30mm	1
35	61238008150	MOLDED RING SUCTION PUMP COVER	1
36	61238008200	SUCTION PUMP COVER	1
37	0025060206S	HH collar screw M6x20 TX30	12
38	0402050980	needle roller DIN 5402 5x9.8	4
40	61738050000	Oil cooler cmpl.	1
42	0025060406S	Hex collar screw, M6x40, ISA30, self-loc	1
43	61238052000	BUSHING	2
44	0770012021	O-RING 12X2 VITON GREEN	4
46	61738035000	Line, oil radiator	1
47	0770110021	O-RING 11X2 VITON	4
48	61738037000	Retaining bracket oil line	2

206173810

53577

\* NEW PART

X ON DEMAND

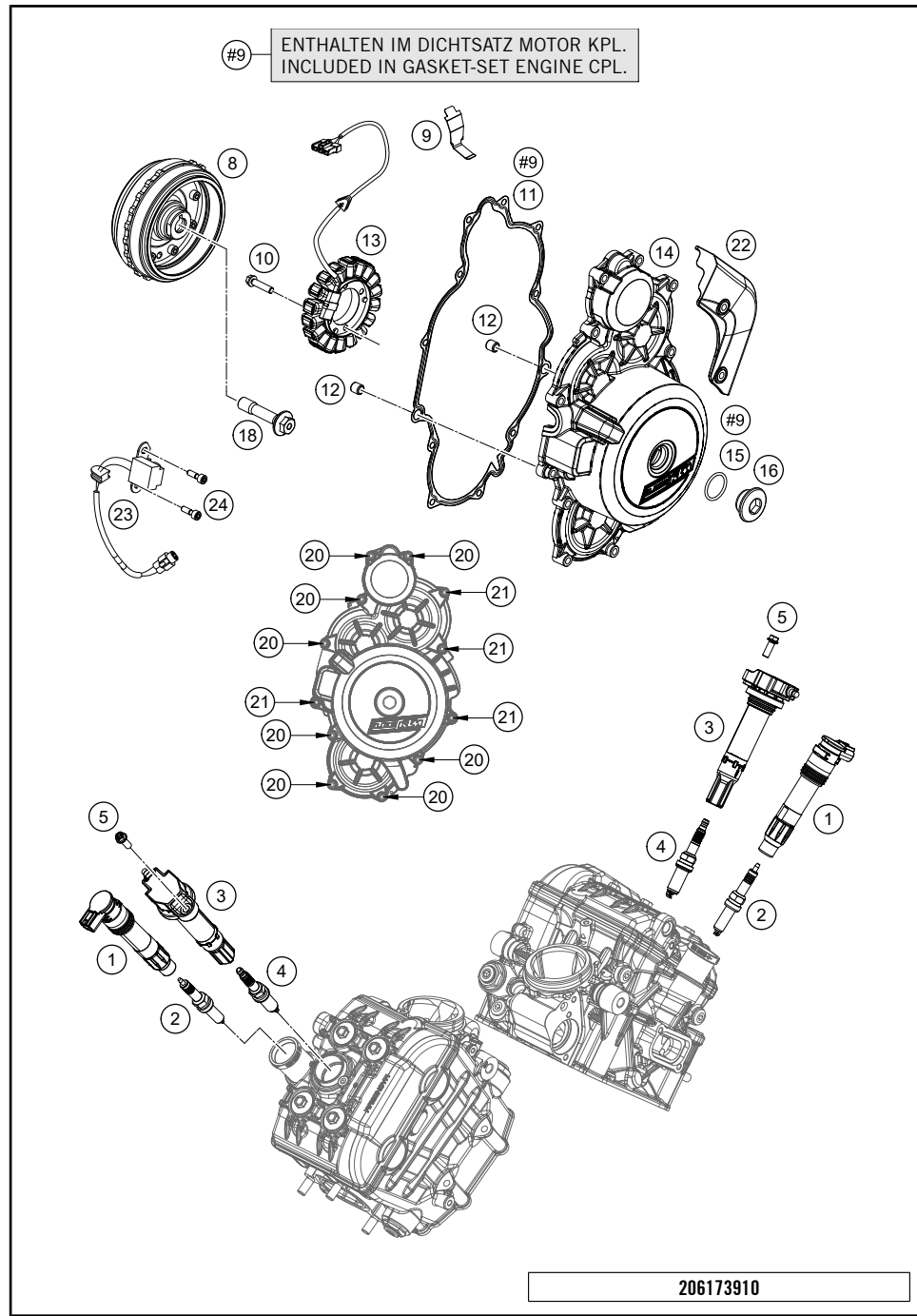


POS	PARTNUMBER	PARTNAME	PIECE
49	0025060166S	HH collar screw M6x16 TX30 SL	2
99	00050000068	OILFILTER SERVICE KIT	x

206173810      53577      \* NEW PART      X ON DEMAND

# IGNITION SYSTEM

Engine 1290 Superduke 2021 2021



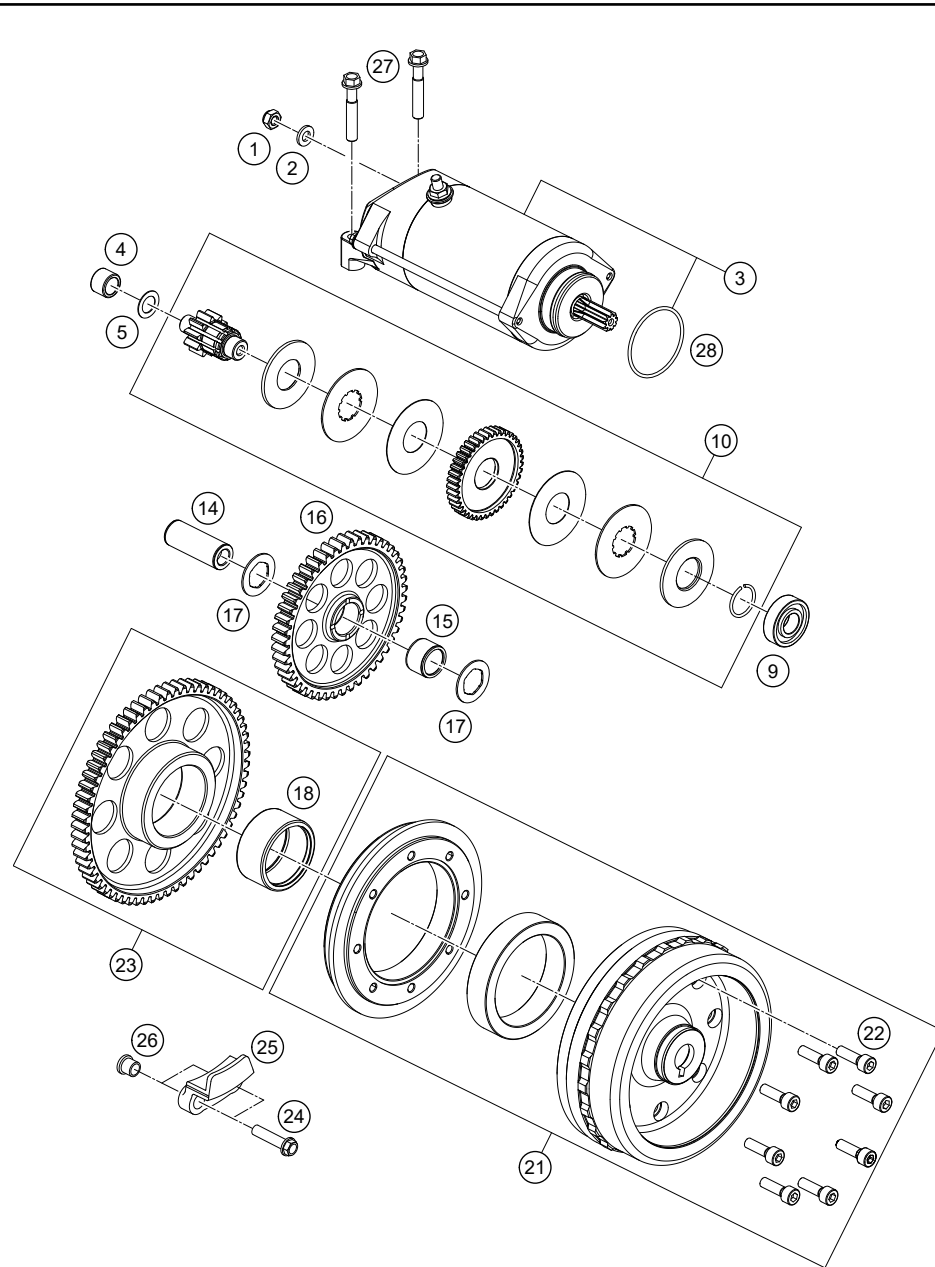
POS	PARTNUMBER	PARTNAME	PIECE
1	76039006000	STICK COIL	2
2	60439094000	SPARK PLUG M10X1	2
3	63539006100	Stick coil	2
4	61739093000	Spark plug M12x1.25	2
5	0025060166	HH collar screw M6x16 TX30	2
8	61539005000	Rotor complete	1
9	60039040020	generator line bracket	1
10	0025060256S	SK-BUNDSCHRAUBE M6X25 ISA30	4
11	61230040100	GASKET GENERATORCOVER	1
12	49030090000	DOWEL 9,8 X 7 X 10	2
13	60339004000	STATOR	1
14	6023010214441	IGNITION COVER WITH BEARINGS	1
15	07700240251	o-ring 24.00x2.50 Viton	1
16	6003009400030	threaded plug M24x1.5 PA 6.6	1
18	60339003000	special screw M12x1.5 WS15	1
20	0025060306	HH collar screw M6x30 TX30	8
21	0025060356	HH collar screw M6x35 TX30	4
22	61411095000	Plug cover	1
23	59039034000	pulse generator KOKUSAN 4K3-A/B	1
24	60339035000	SPECIAL SCREW M5X16	2

\* NEW PART

X ON DEMAND

# ELECTRIC STARTER

Engine 1290 Superduke 2021 2021



POS	PARTNUMBER	PARTNAME	PIECE
1	0985060003	SELF LOCK. NUT DIN0985-M 6	1
2	0125060003	WASHER DIN0125-A 6,4	1
3	60440001000	STARTER MOTOR	1
4	0618101410	needle sleeve HK 1010 10x14x10	1
5	60038007010	washer 10x16x0.5	1
9	0625060016	deep groove ball bearing 6001.2RSR C3	1
10	60340117200	Torque limiter 10/55 cml.	1
14	61230058050	BEARING BOLT 15X39 08	1
15	0405151913	needle roller and cage assy. K 15x19x13	1
16	60340122000	IDLER SHAFT 43T	1
17	61230057060	STOP DISK 15,2X25X1	2
18	0618354220	NEEDLE BUSH HK3520 35/42/20	1
21	61539005000	Rotor complete	1
22	0912060206	AH SCREW DIN 912 M6X20	8
23	60340020100	free wheel gear cpl. 66th	1
24	0025060256S	SK-BUNDSCHRAUBE M6X25 ISA30	2
25	60040027000	FREEWHEEL HOLDER 03	1
26	60040027050	SUPPORTING SLEEVE 03	2
27	0025060300	HH COLLAR SCREW M6X30 INOX	2
28	0770033020	O-RING 33,75X2,00	1

156034010

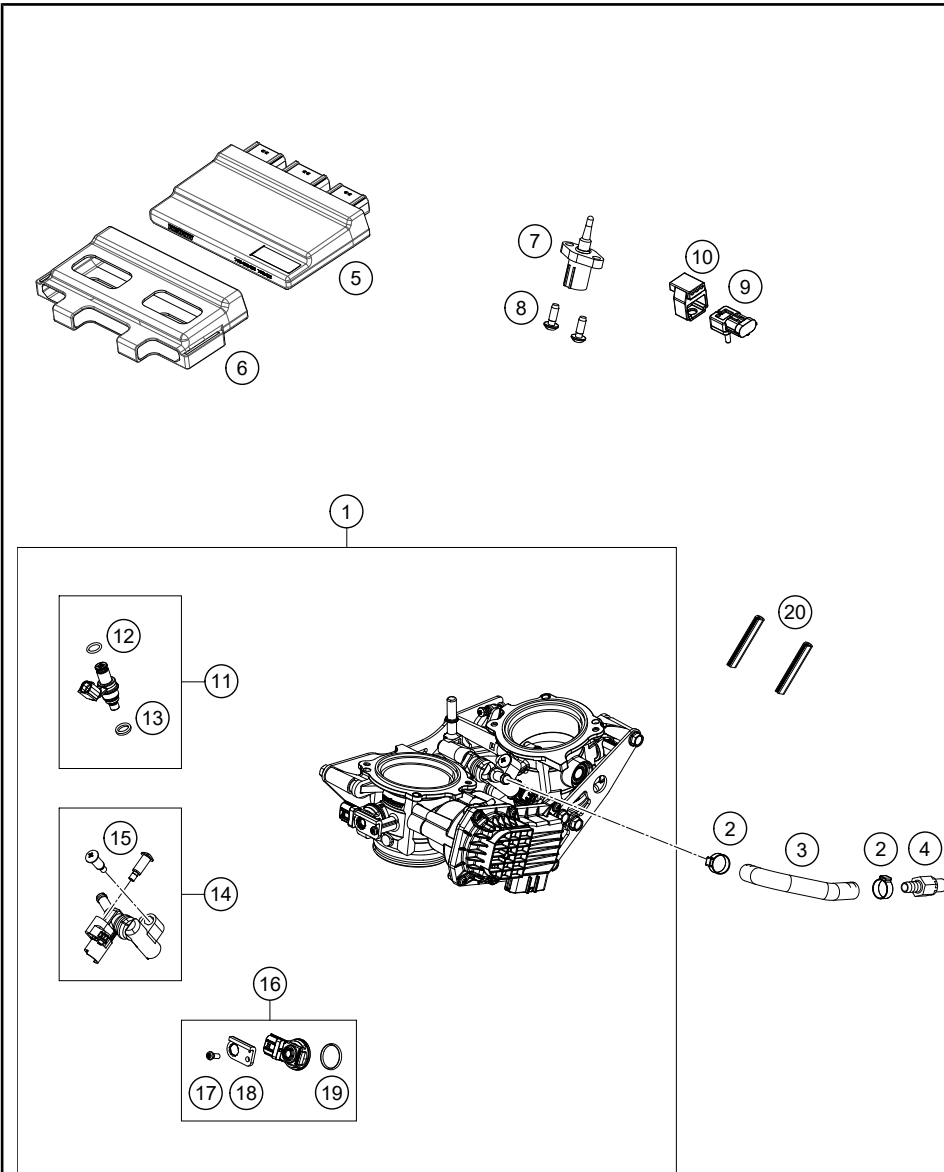
53539

\* NEW PART

X ON DEMAND

# THROTTLE BODY

Engine 1290 Superduke 2021 2021



POS	PARTNUMBER	PARTNAME	PIECE
1	61341101000	Throttle body	1
2	00050157706	VARIABLE ONE-EAR CLAMP 15,7MM	2
3	61707016050	Fuel hose throttle valve body	1
4	5850701030030	PLUG CPC BLACK 05	1
5	61741031000	Control unit EFI	1
6	61741031050	Rubber mount ECU	1
7	61041080000	AMBIENT-AIR TEMPERATURE SENSOR	1
8	0081050161	EJOT PT SCREW K50X16 1451	2
9	61041085100	PRESSURE SENSOR 06	1
10	61041085150	RUBBER SUPP. PRESSURE SENS. 06	1
11	60341023144	Injector cmpl.	2
12	60341023020	O-RING	2
13	75041023010	SEAL RING	2
14	61741013044	Fuel Pipe Assy Set	1
15	75041013060	SCREW SHOULDER	2
16	75041085044	MAP SENSOR CPL. 07	1
17	75041085030	SCREW WASHER	1
18	75041085020	PLATE, STAY	1
19	75041085010	O-RING	1
20	61011055045	EDGE PROTECTOR L=45MM 05	2

206174110

53587

\* NEW PART

X ON DEMAND



WWW.KTM.COM



KTM Sportmotorcycle GmbH  
5230 Mattighofen, Austria  
[www.ktm.com](http://www.ktm.com)



**KTM**\_POWERPARTS

**KTM**\_POWERWEAR

**KTM**\_ORIGINAL SPARE PARTS



089880UEN

Art. Nr.: 089880UEN 3. Sep 2020