

65 SX

Art. no. 3213190en



The work described in these setup instructions must be performed before the vehicle is delivered to the customer.

Read the setup instructions in their entirety before beginning work.

Print out the current **PDI** form found on the **KTM DEALER.NET**.

These setup instructions were written to correspond to the latest state of this series. We reserve the right to make changes in the interest of technical advancement without at the same time updating this manual.

We shall not provide a description of general workshop methods. Likewise, safety rules that apply in a workshop are not specified here. It is assumed that the work will be performed by a fully trained mechanic.

All specifications are non-binding. KTM Sportmotorcycle AG specifically reserves the right to modify or delete technical specifications, prices, colors, forms, materials, services, designs, equipment, etc., without prior notice and without specifying reasons, to adapt these to local conditions, as well as to stop production of a particular model without prior notice. KTM accepts no liability for delivery options, deviations from illustrations and descriptions, misprints, and other errors. The models portrayed partly contain special equipment that does not belong to the regular scope of supply.

© 2014 KTM-Sportmotorcycle AG, Mattighofen Austria

All rights reserved

Reproduction, even in part, as well as copying of all kinds, is permitted only with the express written permission of the copyright owner.



ISO 9001(12 100 6061)

According to the international quality management standard ISO 9001, KTM uses quality assurance processes that lead to the maximum possible quality of the products.

Issued by: TÜV Management Service

REG.NO. 12 100 6061

KTM-Sportmotorcycle AG
5230 Mattighofen, Austria

1.1 Symbols used

The meaning of specific symbols is described below.



Indicates an expected reaction (e.g. of a work step or a function).



Indicates an unexpected reaction (e.g. of a work step or a function).



Indicates a page reference (more information is provided on the specified page).



Indicates information with more details or tips.



Indicates the result of a testing step.



Denotes a voltage measurement.



Denotes a current measurement.



Denotes a resistance measurement.

1.2 Formats used

The typographical formats used in this document are explained below.

Proprietary name Identifies a proprietary name.

Name[®] Identifies a protected name.

Brand[™] Identifies a trademark.

2.1 Unpacking and setting up the vehicle



201951-10

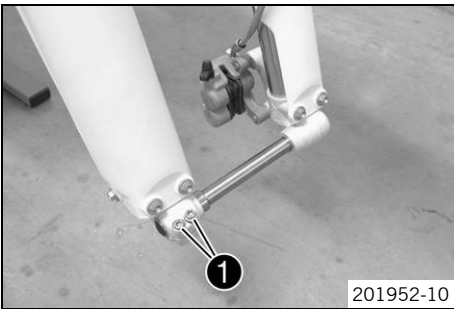
- Open the box.



Info

To avoid damaging the vehicle while setting it up, do not remove the protective film on each component until installing the component, and leave it on the vehicle until work has been completed.

- Remove the front wheel, fender, and the separate enclosure from the box.
- Remove the separate enclosure and unpack it. Check that the scope of supply is complete on the basis of the enclosed packing list.
- Lift the vehicle out of the box with the assistance of another person.
- Raise the motorcycle with a lift stand. (☛ p. 4)
- Check the vehicle for transport damage.
- Loosen screws ❶.
- Remove the wheel spindle.
- Install the front fender. (☛ p. 6)
- Install the front wheel. ☛ (☛ p. 4)
- Remove the protective film from the handlebar and start number plate.



201952-10

- Position the handlebar with handlebar clamps ❷.
- Mount and tighten screws.

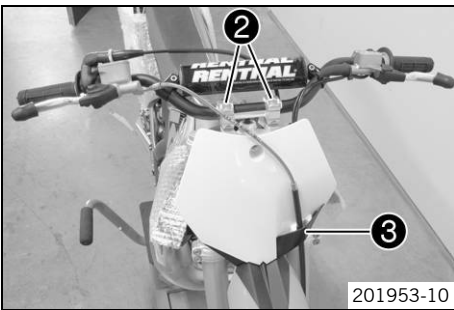
Guideline

Screw, handlebar clamp	M8	20 Nm (14.8 lbf ft)
------------------------	----	------------------------

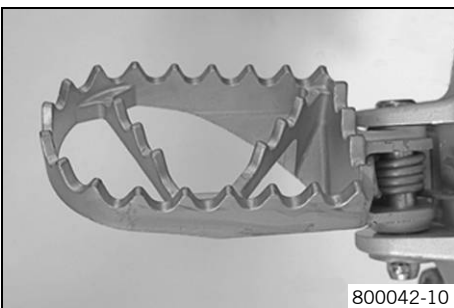
- Check the handlebar position.
 - » If the handlebar position is not adjusted as required by the customer:
 - Adjust the handlebar position. ☛ (☛ p. 5)
- Remove the screw of the brake line guide ❸. Position the brake line. Mount the brake line guide again and tighten the screw.
- Check the wiring harness, cables, and brake line for freedom of movement and correct routing.
- Check that the controls on the handlebar are correctly positioned and firmly seated.
- Mount the footrests with the springs and pins. Secure the pins using the washers and cotter pins.

Pliers for footrest spring (58429083000)

- Fill up with fuel. (☛ p. 6)
- Print out the current **PDI** form found on **KTM DEALER.NET** and perform the delivery inspection.



201953-10



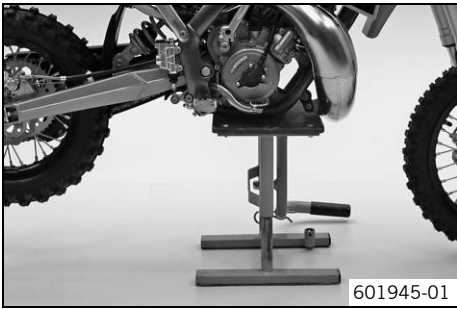
800042-10

3.1 Raising the motorcycle with a lift stand

Note

Danger of damage The parked vehicle may roll away or fall over.

- Always place the vehicle on a firm and even surface.



- Raise the motorcycle at the frame underneath the engine.

Lift stand (59229055000)

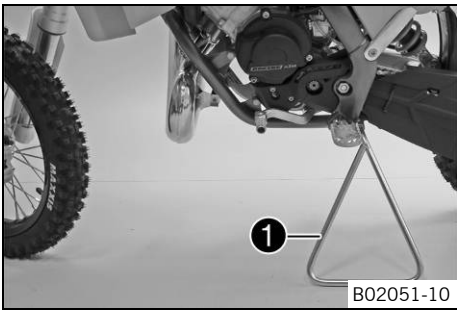
- ✓ The tires should no longer be in contact with the ground.
- Secure the motorcycle against falling over.

3.2 Removing the motorcycle from the lift stand

Note

Danger of damage The parked vehicle may roll away or fall over.

- Always place the vehicle on a firm and even surface.



- Remove the motorcycle from the lift stand.
- Remove the lift stand.
- To park the motorcycle, insert plug-in stand ① into the plug-in stand bracket on the left side of the vehicle.

i Info

Remove the plug-in stand before riding.

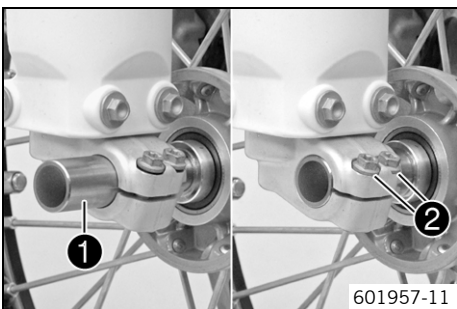
3.3 Installing the front wheel



Warning

Danger of accidents Reduced braking efficiency due to oil or grease on the brake discs.

- Always keep the brake discs free of oil and grease, and clean them with brake cleaner when necessary.



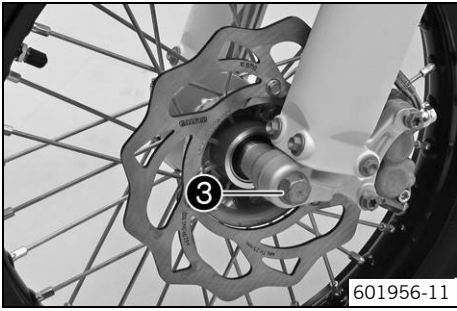
- Check the wheel bearing for damage and wear.
 - » If the wheel bearing is broken or worn:
 - Change the wheel bearing. 🛠️
- Clean and grease wheel spindle ①.

Long-life grease (🛠️ p. 10)

- Lift the front wheel into the fork, position it, and insert wheel spindle ①.
 - ✓ The brake linings are correctly positioned.
- Tighten screws ②.

Guideline

Screw, fork stub	M6	10 Nm (7.4 lbf ft)
------------------	----	--------------------

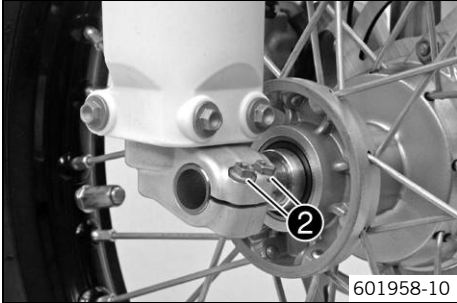


- Mount and tighten screw ③.

Guideline

Screw, front wheel spindle	M10	40 Nm (29.5 lbf ft)
----------------------------	-----	------------------------

- Remove the motorcycle from the lift stand. (☛ p. 4)



- Operate the hand brake lever several times until the brake linings are in contact with the brake disc.

- Loosen screws ②.

- Pull the front wheel brake and push down hard on the fork several times.

✓ This aligns the fork legs.

- Tighten screws ②.

Guideline

Screw, fork stub	M6	10 Nm (7.4 lbf ft)
------------------	----	--------------------

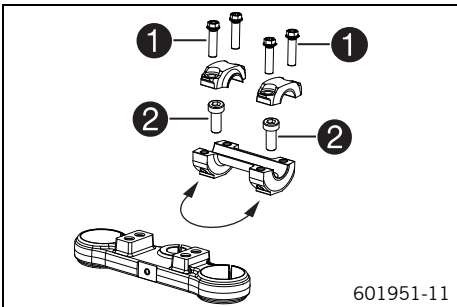
3.4 Adjusting handlebar position ☛



Warning

Danger of accidents Handlebar breakage.

- If the handlebar is bent or straightened it will cause material fatigue, and the handlebar can break. Always replace handlebar.



- Remove the screws ①. Take off the handlebar clamps. Remove the handlebar and lay it to one side.



Info

Protect the motorcycle and its attachments from damage by covering them. Do not bend the cables and lines.

- Remove the screws ②. Remove the handlebar support.
- Place the handlebar support in the required position. Fit and tighten the screws ②.

Guideline

Screw, handlebar support	M10	40 Nm (29.5 lbf ft)	Loctite® 243™
--------------------------	-----	------------------------	---------------

- Position the handlebar.



Info

Make sure cables and wiring are positioned correctly.

- Position the handlebar clamps. Fit and evenly tighten the screws ①.

Guideline

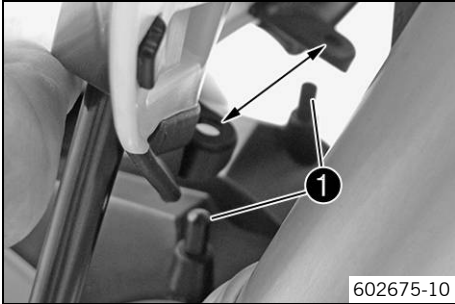
Screw, handlebar clamp	M8	20 Nm (14.8 lbf ft)
------------------------	----	------------------------



Info

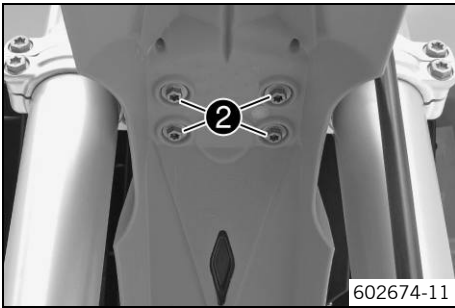
Make sure the gap width is even.

3.5 Installing the front fender



602675-10

- Position the fender with holding lugs **1** into the drill holes on the start number plate.



602674-11

- Position the front fender. Mount and tighten screws **2**.

Guideline

Remaining screws, chassis	M6	10 Nm (7.4 lbf ft)
---------------------------	----	--------------------

3.6 Refueling



Danger

Fire hazard Fuel is highly flammable.

- Never refuel the vehicle near open flames or burning cigarettes, and always switch off the engine first. Be careful that no fuel is spilt, especially on hot vehicle components. Clean up spilt fuel immediately.
- The fuel in the fuel tank expands when warm and may emerge if overfilled. Follow the instructions on refueling.



Warning

Danger of poisoning Fuel is poisonous and a health hazard.

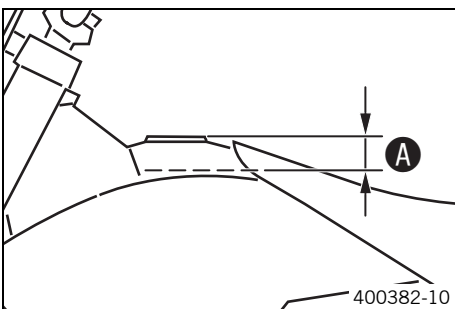
- Fuel must not come into contact with the skin, eyes, or clothing. Do not breathe in the fuel vapors. If contact occurs with the eyes, rinse with water immediately and contact a physician. Immediately clean contaminated areas on the skin with soap and water. If fuel is swallowed, contact a physician immediately. Change clothing that is contaminated with fuel.



Warning

Environmental hazard Improper handling of fuel is a danger to the environment.

- Do not allow fuel to get into the ground water, the ground, or the sewage system.



400382-10

- Switch off the engine.
- Open the filler cap. (☛ p. 7)
- Fill the fuel tank with fuel up to measurement **A**.

Guideline

Measurement of A	35 mm (1.38 in)	
-------------------------	-----------------	--

Fuel tank capacity, approx.	3.5 l (3.7 qt.)	Super unleaded (95 octane) mixed with 2-stroke engine oil (1:60) (☛ p. 9)
-----------------------------	-----------------	---

Engine oil, 2-stroke (☛ p. 9)		
-------------------------------	--	--

- Close the filler cap. (☛ p. 7)

3.7 Opening the filler cap

- Danger**
Fire hazard Fuel is highly flammable.
- Never refuel the vehicle near open flames or burning cigarettes, and always switch off the engine first. Be careful that no fuel is spilt, especially on hot vehicle components. Clean up spilt fuel immediately.
 - The fuel in the fuel tank expands when warm and may emerge if overfilled. Follow the instructions on refueling.

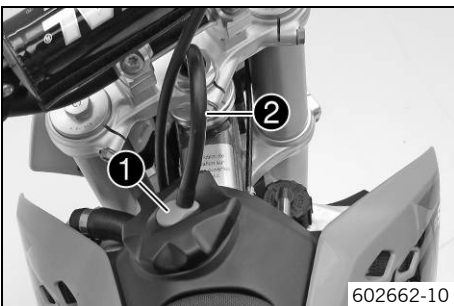
- Warning**
Danger of poisoning Fuel is poisonous and a health hazard.
- Fuel must not come into contact with the skin, eyes, or clothing. Do not breathe in the fuel vapors. If contact occurs with the eyes, rinse with water immediately and contact a physician. Immediately clean contaminated areas on the skin with soap and water. If fuel is swallowed, contact a physician immediately. Change clothing that is contaminated with fuel. Store fuel properly in a suitable canister and keep away from children.

- Warning**
Environmental hazard Improper handling of fuel is a danger to the environment.
- Do not allow fuel to get into the ground water, the ground, or the sewage system.



- Press release button **1**, turn the filler cap counterclockwise, and lift it free.

3.8 Closing the filler cap



- Replace the filler cap and turn clockwise until the release button **1** locks in place.

i **Info**

Run the fuel tank breather hose **2** without kinks.

4 TECHNICAL DATA - TIGHTENING TORQUES FOR CHASSIS

Spoke nipple	M3.5	3 Nm (2.2 lbf ft)	–
Remaining nuts, chassis	M6	10 Nm (7.4 lbf ft)	–
Remaining screws, chassis	M6	10 Nm (7.4 lbf ft)	–
Screw, ball joint of push rod on foot brake cylinder	M6	10 Nm (7.4 lbf ft)	–
Screw, foot brake cylinder	M6	10 Nm (7.4 lbf ft)	–
Screw, fork stub	M6	10 Nm (7.4 lbf ft)	–
Screw, front brake disc	M6	14 Nm (10.3 lbf ft)	Loctite® 243™
Screw, rear brake disc	M6	14 Nm (10.3 lbf ft)	Loctite® 243™
Screw, throttle grip	M6	4.5 Nm (3.32 lbf ft)	–
Nut, rim lock	M8	10 Nm (7.4 lbf ft)	–
Remaining nuts, chassis	M8	25 Nm (18.4 lbf ft)	–
Remaining screws, chassis	M8	25 Nm (18.4 lbf ft)	–
Screw, bottom triple clamp	M8	15 Nm (11.1 lbf ft)	–
Screw, brake caliper	M8	20 Nm (14.8 lbf ft)	Loctite® 243™
Screw, engine bracket	M8	30 Nm (22.1 lbf ft)	–
Screw, handlebar clamp	M8	20 Nm (14.8 lbf ft)	–
Screw, rear sprocket	M8	25 Nm (18.4 lbf ft)	Loctite® 243™
Screw, tail piece	M8	35 Nm (25.8 lbf ft)	Loctite® 243™
Screw, top triple clamp	M8	20 Nm (14.8 lbf ft)	–
Remaining nuts, chassis	M10	45 Nm (33.2 lbf ft)	–
Remaining screws, chassis	M10	45 Nm (33.2 lbf ft)	–
Screw, bottom shock absorber	M10	45 Nm (33.2 lbf ft)	–
Screw, foot brake lever	M10	35 Nm (25.8 lbf ft)	Loctite® 243™
Screw, front wheel spindle	M10	40 Nm (29.5 lbf ft)	–
Screw, handlebar support	M10	40 Nm (29.5 lbf ft)	Loctite® 243™
Screw, top shock absorber	M10	45 Nm (33.2 lbf ft)	–
Nut, rear wheel spindle	M12x1	40 Nm (29.5 lbf ft)	–
Nut, swingarm pivot	M12x1	40 Nm (29.5 lbf ft)	–
Nut, steering stem	M20x1.5	10 Nm (7.4 lbf ft)	–

Engine oil, 2-stroke

Standard/classification

- JASO FD (☛ p. 11)

Guideline

- Only use high grade 2-stroke engine oil of a reputable brand.

Fully synthetic

Recommended supplier

Motorex®

- Cross Power 2T

Super unleaded (ROZ 95/RON 95/PON 91)

Standard/classification

- DIN EN 228 (ROZ 95/RON 95/PON 91)

Guideline

- Only use unleaded super fuel that matches or is equivalent to the specified fuel grade.
- Fuel with an ethanol content of up to 10 % (E10 fuel) is safe to use.



Info

Do **not** use fuel containing methanol (e. g. M15, M85, M100) or more than 10 % ethanol (e. g. E15, E25, E85, E100).

Super unleaded (95 octane) mixed with 2-stroke engine oil (1:60)

Standard/classification

- DIN EN 228
- JASO FD (☛ p. 11) (1:60)

Mixture ratio

1:60	Engine oil, 2-stroke (☛ p. 9) Super unleaded (ROZ 95/RON 95/PON 91) (☛ p. 9)
------	---

Recommended supplier

Motorex®

- Cross Power 2T

Long-life grease

Recommended supplier

Motorex®

– Bike Grease 2000

JASO FD

JASO FD is a classification for a 2-stroke engine oil that was specifically developed for the extreme demands of racing. Thanks to first rate synthetic esters and specially designed additives, superb combustion is achieved even under extreme operating conditions.



3213190en

06/2014

