

**RC 125**  
**RC 200**

Art. no. 3213460en



**KTM**



The work described in these setup instructions must be performed before the vehicle is delivered to the customer.

Read the setup instructions in their entirety before beginning work.

These setup instructions were written to correspond to the latest state of this series. We reserve the right to make changes in the interest of technical advancement without at the same time updating this manual.

We shall not provide a description of general workshop methods. Likewise, safety rules that apply in a workshop are not specified here. It is assumed that the work will be performed by a fully trained mechanic.

All specifications are non-binding. KTM Sportmotorcycle GmbH specifically reserves the right to modify or delete technical specifications, prices, colors, forms, materials, services, designs, equipment, etc., without prior notice and without specifying reasons, to adapt these to local conditions, as well as to stop production of a particular model without prior notice. KTM accepts no liability for delivery options, deviations from illustrations and descriptions, misprints, and other errors. The models portrayed partly contain special equipment that does not belong to the regular scope of supply.

© 2016 KTM Sportmotorcycle GmbH, Mattighofen Austria

All rights reserved

Reproduction, even in part, as well as copying of all kinds, is permitted only with the express written permission of the copyright owner.



ISO 9001(12 100 6061)

According to the international quality management standard ISO 9001, KTM uses quality assurance processes that lead to the maximum possible quality of the products.

Issued by: TÜV Management Service

REG.NO. 12 100 6061

KTM Sportmotorcycle GmbH  
5230 Mattighofen, Austria

This document is valid for the following models:

RC 125 EU (F5003P1, F5003P2)

RC 200 EU (F5103P1)

RC 200 AR (F5142P1)

RC 200 ASIA (F5188P1)

RC 200 2017 CO (F5141P1)

RC 200 MY (F5189P1)

RC 200 TH (F5183P1)



## 1.1 Symbols used

The meaning of specific symbols is described below.



Indicates an expected reaction (e.g. of a work step or a function).



Indicates an unexpected reaction (e.g. of a work step or a function).



Indicates a page reference (more information is provided on the specified page).



Indicates information with more details or tips.



Indicates the result of a testing step.



Denotes a voltage measurement.



Denotes a current measurement.



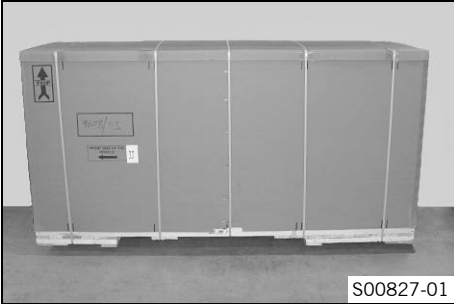
Denotes a resistance measurement.

## 1.2 Formats used

The typographical formats used in this document are explained below.

<b>Proprietary name</b>	Identifies a proprietary name.
<b>Name<sup>®</sup></b>	Identifies a protected name.
<b>Brand<sup>™</sup></b>	Identifies a trademark.
<b><u>Underlined terms</u></b>	Refer to technical details of the vehicle or indicate technical terms, which are explained in the glossary.

## 2.1 Unpacking and setting up the vehicle



- Remove the straps and box.



- Remove the adhesive tape in the upper area of the motorcycle.

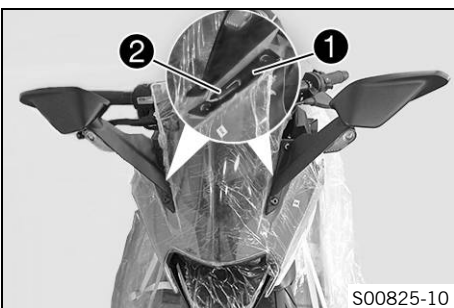


- Roll down the film at the sides.

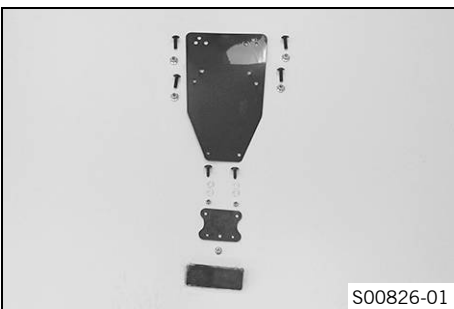
**i Info**

To avoid damaging the motorcycle during the setup, leave the protective film on the vehicle until you have finished.

- Unpack the separate enclosure and check its contents on the basis of the enclosure list.
- Check the vehicle for transport damage.



- Position damping rubber **1** on both sides.
- Connect the plug-in connector **2** of the mirrors on both sides.
- Position mirrors on both sides. Mount and tighten the screws.
- Position all controls in their exact positions on the handlebar. Tighten all screws.



- Mount the reflector.
- Remove the protective plastic.
- Carefully loosen and remove the tensioning belt over the swingarm.

**i Info**

An assistant prevents the motorcycle from falling over.

- Carefully loosen and remove the tensioning belts around the lower triple clamp.
- ✓ The vehicle is released at the front.
- Take the vehicle off the pallet.

**Warning**

**Risk of injury** Battery acid and battery gases cause serious chemical burns.

- Keep batteries out of the reach of children.
  - Wear suitable protective clothing and goggles.
  - Avoid contact with battery acid and battery gases.
  - Keep sparks and open flames away from the battery. Only charge in well-ventilated rooms.
  - In the event of skin contact, rinse with large amounts of water. If battery acid gets in the eyes, rinse with water for at least 15 minutes and contact a physician.
- 

- Fill the battery.
- 

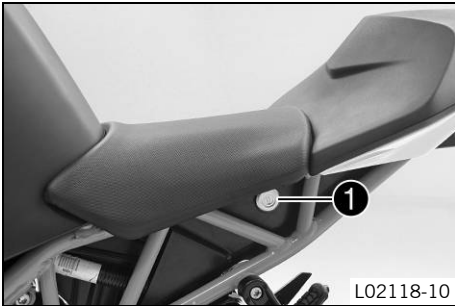
**Info**

Read the notes in the battery package.

---

- Recharge the battery. (📖 p. 7)
- Install the battery. (📖 p. 8)
- Refuel. (📖 p. 9)
- Prepare the vehicle according to the specifications in the **KTM Dealer.net** for hand-over to the customer.
- Set kilometers or miles. (📖 p. 10)
- Set the clock. (📖 p. 10)

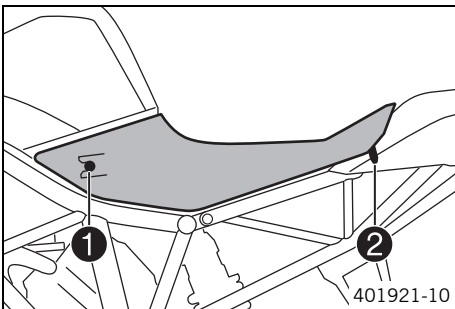
## 3.1 Removing the front rider's seat



L02118-10

- Insert the ignition key in seat lock ① and turn it clockwise.
- Raise the rear of the front rider's seat, pull it toward the rear, and remove it upward.
- Remove the ignition key from the seat lock.

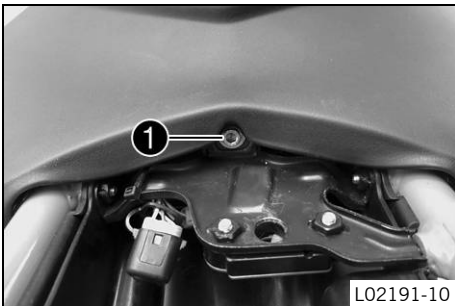
## 3.2 Mounting the front rider's seat



401921-10

- Attach recesses ① on the front rider's seat to the fuel tank, push the front rider's seat forward, and lower at the rear.
- ✓ The pin ② locks audibly in place.
- Check that the front rider's seat is correctly mounted.

## 3.3 Removing the passenger seat



L02191-10

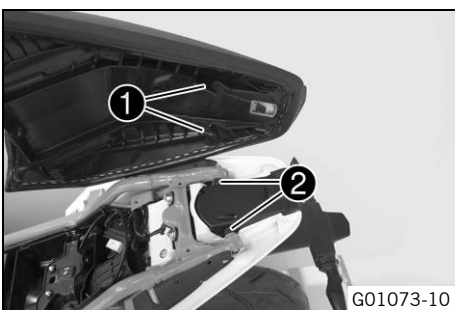
### Preparatory work

- Remove the front rider's seat. (📖 p. 5)

### Main work

- Remove screw ① with the washer.
- Lift and take off the passenger seat.

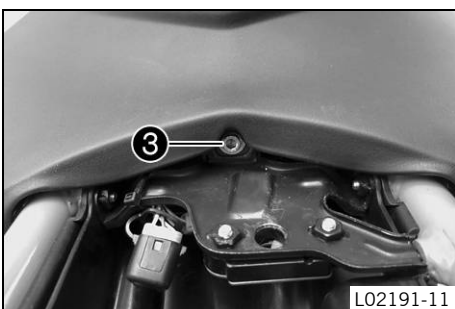
## 3.4 Mounting the passenger seat



G01073-10

### Main work

- Position the passenger seat.
- ✓ Both hooks ① engage in the holders ②.
- Lower the passenger seat and push back.



L02191-11

- Mount and tighten screw ③ with the washer.

### Guideline

Screw, passenger seat	M6	7 Nm (5.2 lbf ft)
-----------------------	----	-------------------



### Warning

**Danger of accidents** The passenger seat can come loose from the anchoring if it is not mounted correctly.

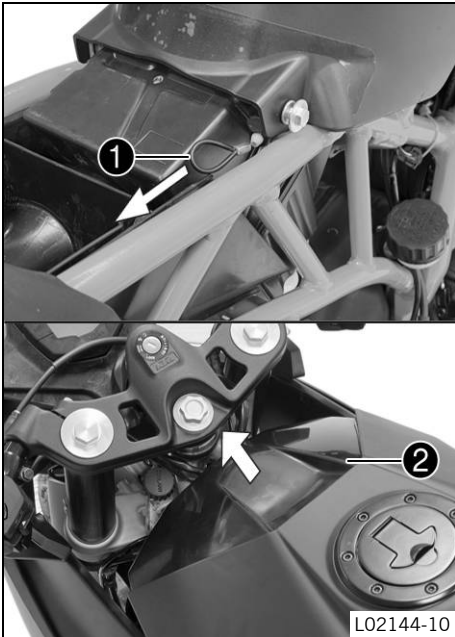
- After mounting the passenger seat, check that it is locked correctly by pulling up.

- Check that the passenger seat is correctly mounted.

**Finishing work**

- Mount the front rider's seat. (📖 p. 5)

### 3.5 Removing the battery cover



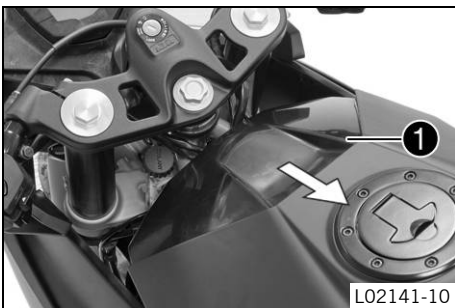
**Preparatory work**

- Remove the front rider's seat. (📖 p. 5)

**Main work**

- Pull loop ① toward the rear.
- Pull battery cover ② forward and remove toward the top.

### 3.6 Mounting the battery cover



**Main work**

- Position battery cover ① and pull toward the rear.
  - ✓ The battery cover engages with an audible click.
- Check the battery cover is seated correctly.

**Finishing work**

- Mount the front rider's seat. (📖 p. 5)

### 3.7 Removing the battery



**Warning**

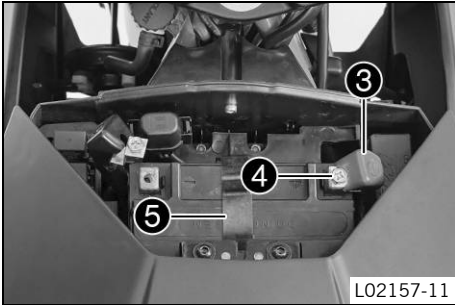
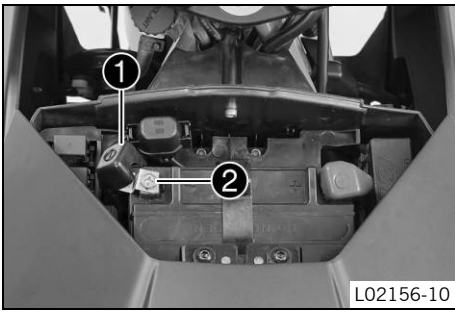
**Risk of injury** Battery acid and battery gases cause serious chemical burns.

- Keep batteries out of the reach of children.
- Wear suitable protective clothing and goggles.
- Avoid contact with battery acid and battery gases.
- Keep sparks and open flames away from the battery. Only charge in well-ventilated rooms.
- In the event of skin contact, rinse with large amounts of water. If battery acid gets in the eyes, rinse with water for at least 15 minutes and contact a physician.

**Preparatory work**

- Switch off the ignition by turning the ignition key to the position ☒.
- Remove the front rider's seat. (📖 p. 5)
- Remove the battery cover. (📖 p. 6)





**Main work**

- Pull back negative terminal cover ①.
- Disconnect negative cable ② from the battery.

- Pull back positive terminal cover ③.
- Disconnect positive cable ④ from the battery.
- Detach rubber band ⑤.
- Pull the battery up and out of the battery holder.

**i Info**

Never operate the motorcycle with a discharged battery or without a battery. In both cases, electrical components and safety devices can be damaged. In this case the vehicle is no longer roadworthy.

## 3.8 Recharging the battery

**Warning**

**Risk of injury** Battery acid and battery gases cause serious chemical burns.

- Keep batteries out of the reach of children.
- Wear suitable protective clothing and goggles.
- Avoid contact with battery acid and battery gases.
- Keep sparks and open flames away from the battery. Only charge in well-ventilated rooms.
- In the event of skin contact, rinse with large amounts of water. If battery acid gets in the eyes, rinse with water for at least 15 minutes and contact a physician.

**Warning**

**Environmental hazard** Batteries contain environmentally-hazardous materials.

- Do not dispose of batteries as household waste.
- Dispose of batteries at a collection point for used batteries.

**Warning**

**Environmental hazard** Hazardous substances cause environmental damage.

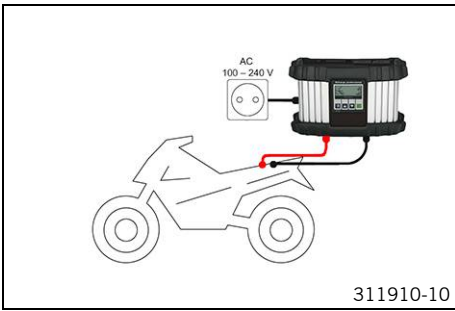
- Dispose of oils, grease, filters, fuel, cleaning agents, brake fluid, etc., correctly and in compliance with the applicable regulations.

**i Info**

Even when there is no load on the battery, it discharges steadily. The charging level and the method of charging are very important for the service life of the battery. Rapid recharging with a high charging current shortens the service life of the battery. If the charging current, charging voltage, and charging time are exceeded, the battery will be destroyed. If the battery is depleted from starting the vehicle repeatedly, the battery must be charged immediately. If the battery is left in a discharged state for an extended period, it will become over-discharged and sulfated, destroying the battery. The battery is maintenance-free, i.e., the acid level does not have to be checked.

**Preparatory work**

- Remove the front rider's seat. (📖 p. 5)
- Remove the battery cover. (📖 p. 6)
- Disconnect the negative cable of the battery.



### Main work

- Connect the battery charger to the battery. Set the battery charger.

#### Alternative 1

Battery charger **XCharge-professional** EU (00029095050)

#### Alternative 2

Battery charger **XCharge-professional** US (00029095051)

#### Alternative 3

Battery charger **XCharge-professional** GB (00029095052)

#### Alternative 4

Battery charger **XCharge-professional** CH (00029095053)



### Info

Follow the instructions of the charger and the manual.

- Disconnect the battery charger after charging the battery.

### Guideline

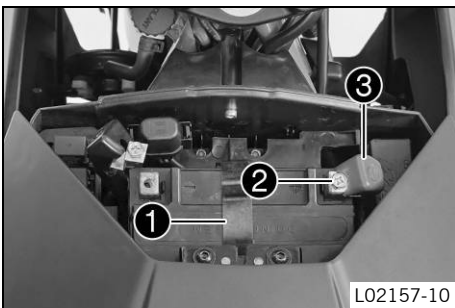
The charging current, charging voltage, and charging time must not be exceeded.

Charge the battery regularly when the motorcycle is not in use	3 months
--	----------

### Finishing work

- Mount the front rider's seat. (📖 p. 5)
- Set the clock. (📖 p. 10)

## 3.9 Installing the battery



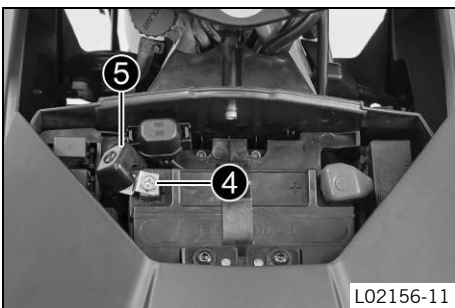
### Main work

- Position the battery in the battery holder.

### Guideline

The terminals of the battery must face upwards.

- Attach rubber band **1**.
- Position the positive cable **2** and mount and tighten the screw.
- Position positive terminal cover **3**.



- Position the negative cable **4** and mount and tighten the screw.
- Position the negative terminal cover **5**.

### Finishing work

- Mount the battery cover. (📖 p. 6)
- Mount the front rider's seat. (📖 p. 5)
- Set the clock. (📖 p. 10)

## 3.10 Opening the filler cap



### Danger

**Fire hazard** Fuel is highly flammable.

The fuel in the fuel tank expands when warm and can escape if overfilled.

- Do not refuel the vehicle in the vicinity of open flames or lit cigarettes.
- Switch off the engine for refueling.
- Make sure that no fuel is spilled; particularly not on hot parts of the vehicle.
- If any fuel is spilled, wipe it off immediately.
- Observe the specifications for refueling.



### Warning

**Danger of poisoning** Fuel is poisonous and a health hazard.

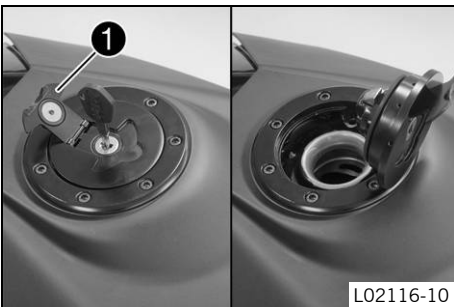
- Avoid skin, eye and clothing contact with fuel.
- Immediately consult a doctor if you swallow fuel.
- Do not inhale fuel vapors.
- In case of skin contact, rinse the affected area with plenty of water.
- Rinse the eyes thoroughly with water, and consult a doctor in case of fuel contact with the eyes.
- Change your clothing in case of fuel spills on them.
- Keep fuels correctly in a suitable canister, and out of the reach of children.



### Warning

**Environmental hazard** Improper handling of fuel is a danger to the environment.

- Do not allow fuel to enter the groundwater, the soil, or the sewage system.



- Lift the cover **1** of the filler cap and insert the ignition key in the lock.

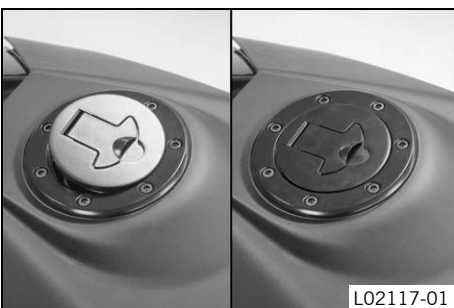
### Note

**Danger of damage** Ignition key breakage.

- To take pressure off of the ignition key, push down on the filler cap. Damaged ignition keys must be replaced.

- Turn the ignition key 90° clockwise.
- Open the filler cap.
- Remove the ignition key.

## 3.11 Closing the filler cap



### Warning

**Fire hazard** Fuel is highly flammable, poisonous and harmful to your health.

- After closing the filler cap, ensure that it is locked properly. Change clothing that has been contaminated with fuel. Immediately clean contaminated areas on the skin with soap and water.

- Close the filler cap.
- Push down the filler cap until the lock engages.

## 3.12 Refueling



### Danger

**Fire hazard** Fuel is highly flammable.

The fuel in the fuel tank expands when warm and can escape if overfilled.

- Do not refuel the vehicle in the vicinity of open flames or lit cigarettes.
- Switch off the engine for refueling.
- Make sure that no fuel is spilled; particularly not on hot parts of the vehicle.
- If any fuel is spilled, wipe it off immediately.
- Observe the specifications for refueling.



**Warning**

**Danger of poisoning** Fuel is poisonous and a health hazard.

- Avoid skin, eye and clothing contact with fuel.
- Immediately consult a doctor if you swallow fuel.
- Do not inhale fuel vapors.
- In case of skin contact, rinse the affected area with plenty of water.
- Rinse the eyes thoroughly with water, and consult a doctor in case of fuel contact with the eyes.
- Change your clothing in case of fuel spills on them.

**Note**

**Material damage** Inadequate fuel quality causes the fuel filter to quickly become clogged.

In some countries and regions, the available fuel quality and cleanliness may not be sufficient. This will result in problems with the fuel system.

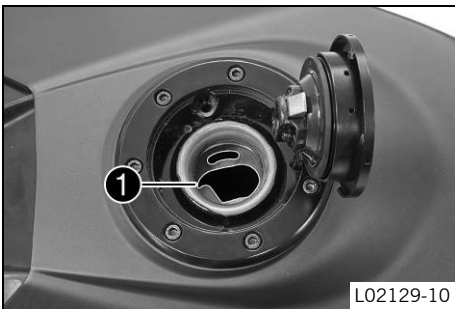
- Refuel only with clean fuel that meets the specified standards.



**Warning**

**Environmental hazard** Improper handling of fuel is a danger to the environment.

- Do not allow fuel to enter the groundwater, the soil, or the sewage system.



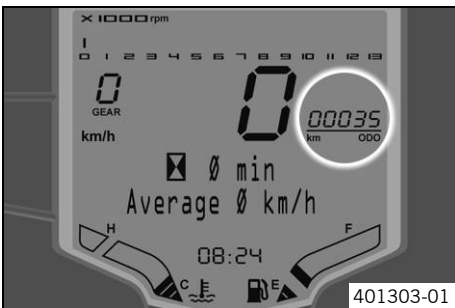
L02129-10

- Switch off the engine.
- Open the filler cap. (🗨 p. 9)
- Fill the fuel tank with fuel up to the lower edge **1** of the fuel filler.

Total fuel tank capacity, approx.	10 l (2.6 US gal)	Super unleaded (ROZ 95/RON 95/PON 91) (🗨 p. 15) (RC 125, RC 200 EU, RC 200 AR, RC 200 ASIA, RC 200 2017 CO, RC 200 MY)
		Gasohol 95 E20 (RON 95) (🗨 p. 15) (RC 200 TH)

- Close the filler cap. (🗨 p. 9)

### 3.13 Setting the time



401303-01

**Condition**

The ignition is on.  
The motorcycle is stationary.

- Press the **MODE** button briefly and repeatedly until **ODO** appears on the display.
- Press the **MODE** and **SET** buttons for 5 - 10 seconds.
  - ✓ The time display begins to flash.
- Set the hours display using the **MODE** button.
- Set the minutes display using the **SET** button.
- Press the **MODE** and **SET** buttons for 5 - 10 seconds.
  - ✓ The time is set.

### 3.14 Setting kilometers or miles

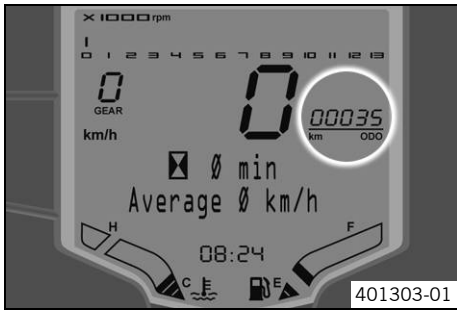


**Info**

Make the country-specific setting.

**Condition**

The ignition is on.  
The motorcycle is stationary.



- Press the **MODE** button briefly and repeatedly until **ODO** appears on the display.
- Press the **MODE** button for 5 - 10 seconds.
- ✓ The display changes from **km/h** to **mph** or from **mph** to **km/h**.

## 4.1 Chassis tightening torques

Exhaust clamp	-	19 Nm (14 lbf ft)	-
Screw, chain guard	<b>EJOT PT®</b> K60x30	4 Nm (3 lbf ft)	-
Remaining nuts, chassis	M4	3 Nm (2.2 lbf ft)	-
Remaining screws, chassis	M4	4 Nm (3 lbf ft)	-
Screw, EFI control unit	M4	3 Nm (2.2 lbf ft)	-
Nut, reflector on retaining plate	M5	7 Nm (5.2 lbf ft)	-
Nut, retaining plate on license plate holder	M5	4 Nm (3 lbf ft)	-
Remaining nuts, chassis	M5	5 Nm (3.7 lbf ft)	-
Remaining screws, chassis	M5	5 Nm (3.7 lbf ft)	-
Screw, ABS hose clamp (RC 125)	M5	6 Nm (4.4 lbf ft)	-
Screw, anti-rotation lock, handlebar stub	M5	4 Nm (3 lbf ft)	-
Screw, battery compartment	M5	4 Nm (3 lbf ft)	-
Screw, chain guard	M5	7 Nm (5.2 lbf ft)	<b>Loctite® 204™</b>
Screw, cover in front of battery compartment	M5	4 Nm (3 lbf ft)	-
Screw, fuel pump	M5	5 Nm (3.7 lbf ft)	-
Screw, fuel tank cover	M5	5 Nm (3.7 lbf ft)	-
Screw, rollover sensor	M5	6 Nm (4.4 lbf ft)	<b>Loctite® 243™</b>
Screw, side stand switch	M5	5 Nm (3.7 lbf ft)	<b>Loctite® 243™</b>
Screw, tail end lower part	M5	4 Nm (3 lbf ft)	-
Cap bolt, footrest	M6	9 Nm (6.6 lbf ft)	-
Nut, foot brake lever adjustment	M6	9 Nm (6.6 lbf ft)	-
Nut, license plate bracket	M6	8.5 Nm (6.27 lbf ft)	-
Nut, shift rod	M6	10 Nm (7.4 lbf ft)	-
Nut, shift rod	M6LH	10 Nm (7.4 lbf ft)	-
Nut, tail light	M6	7 Nm (5.2 lbf ft)	-
Remaining nuts, chassis	M6	10 Nm (7.4 lbf ft)	-
Remaining screws, chassis	M6	10 Nm (7.4 lbf ft)	-
Screw, ABS module on ABS module retaining bracket (RC 125)	M6	7 Nm (5.2 lbf ft)	-
Screw, ABS module retaining bracket on silent block (RC 125)	M6	7 Nm (5.2 lbf ft)	-
Screw, air filter box lid	M6	3 Nm (2.2 lbf ft)	-
Screw, air filter box, on frame	M6	6 Nm (4.4 lbf ft)	-
Screw, battery compartment	M6	6 Nm (4.4 lbf ft)	-
Screw, brake fluid container, front brake	M6	8 Nm (5.9 lbf ft)	-
Screw, brake fluid container, rear brake	M6	7 Nm (5.2 lbf ft)	-
Screw, brake line guide on bottom triple clamp	M6	7 Nm (5.2 lbf ft)	<b>Loctite® 243™</b>
Screw, cable holder, side stand switch	M6	9 Nm (6.6 lbf ft)	<b>Loctite® 243™</b>
Screw, chain guard	M6	7 Nm (5.2 lbf ft)	-
Screw, chain sliding guard	M6	7 Nm (5.2 lbf ft)	-
Screw, compensating tank	M6	9 Nm (6.6 lbf ft)	-
Screw, engine sprocket cover on frame	M6	7 Nm (5.2 lbf ft)	-
Screw, foot brake cylinder	M6	9 Nm (6.6 lbf ft)	<b>Loctite® 243™</b>
Screw, footrest bracket	M6	7 Nm (5.2 lbf ft)	-
Screw, front fender on axle clamp	M6	7 Nm (5.2 lbf ft)	-
Screw, front fender, top side	M6	7 Nm (5.2 lbf ft)	-
Screw, front mask	M6	7 Nm (5.2 lbf ft)	-

Screw, front mask structure on headlight bracket	M6	6 Nm (4.4 lbf ft)	–
Screw, front seat fixing	M6	6 Nm (4.4 lbf ft)	–
Screw, front spoiler	M6	7 Nm (5.2 lbf ft)	–
Screw, front spoiler retaining bracket, rear	M6	6 Nm (4.4 lbf ft)	–
Screw, front spoiler retaining bracket, rear, on engine	M6	9 Nm (6.6 lbf ft)	–
Screw, front spoiler, right, on footrest bracket	M6	7 Nm (5.2 lbf ft)	–
Screw, ground cable, on frame	M6	7 Nm (5.2 lbf ft)	–
Screw, handlebar stub	M6	7 Nm (5.2 lbf ft)	Loctite® 243™
Screw, ignition coil	M6	9 Nm (6.6 lbf ft)	–
Screw, ignition lock	M6	11 Nm (8.1 lbf ft)	–
Screw, license plate holder on license plate bracket	M6	7 Nm (5.2 lbf ft)	–
Screw, magnetic holder on side stand	M6	5 Nm (3.7 lbf ft)	Loctite® 243™
Screw, mirror holder	M6	9 Nm (6.6 lbf ft)	–
Screw, passenger seat	M6	7 Nm (5.2 lbf ft)	–
Screw, radiator air inlet, on frame	M6	6 Nm (4.4 lbf ft)	–
Screw, radiator holder	M6	6 Nm (4.4 lbf ft)	–
Screw, rear ABS sensor wheel (RC 125)	M6	6 Nm (4.4 lbf ft)	Loctite® 204™
Screw, rear fender	M6	7 Nm (5.2 lbf ft)	–
Screw, retaining bracket, EFI control unit	M6	6 Nm (4.4 lbf ft)	–
Screw, shift lever linkage	M6	11 Nm (8.1 lbf ft)	Loctite® 243™
Screw, side cover	M6	7 Nm (5.2 lbf ft)	–
Screw, side cover on front mask	M6	6 Nm (4.4 lbf ft)	–
Screw, voltage regulator	M6	11 Nm (8.1 lbf ft)	–
Screw, voltage regulator holder	M6	11 Nm (8.1 lbf ft)	–
Screw, wheel speed sensor holder (RC 125)	M6	8 Nm (5.9 lbf ft)	–
Screw, windshield	M6	9 Nm (6.6 lbf ft)	–
Remaining nuts, chassis	M8	25 Nm (18.4 lbf ft)	–
Remaining screws, chassis	M8	25 Nm (18.4 lbf ft)	–
Screw, chain guard	M8	11 Nm (8.1 lbf ft)	–
Screw, engine bearer on frame	M8	24 Nm (17.7 lbf ft)	–
Screw, foot brake lever	M8	17 Nm (12.5 lbf ft)	Loctite® 243™
Screw, front brake disc	M8	30 Nm (22.1 lbf ft)	Loctite® 243™
Screw, front wheel spindle	M8	26 Nm (19.2 lbf ft)	–
Screw, fuel tank attachment, rear, on frame	M8	16 Nm (11.8 lbf ft)	–
Screw, horn	M8	7 Nm (5.2 lbf ft)	–
Screw, main silencer	M8	24 Nm (17.7 lbf ft)	–
Screw, passenger footrest bracket	M8	26 Nm (19.2 lbf ft)	Loctite® 243™
Screw, rear brake disc	M8	30 Nm (22.1 lbf ft)	Loctite® 243™
Screw, shift lever	M8	17 Nm (12.5 lbf ft)	Loctite® 243™
Screw, top triple clamp	M8	15 Nm (11.1 lbf ft)	–
Screw, front brake caliper	M8x1	30 Nm (22.1 lbf ft)	Loctite® 204™
Banjo bolt, brake line	M10	24 Nm (17.7 lbf ft)	–
Fitting, engine mounting bracket	M10	45 Nm (33.2 lbf ft)	–
Remaining nuts, chassis	M10	45 Nm (33.2 lbf ft)	–
Remaining screws, chassis	M10	45 Nm (33.2 lbf ft)	–

Fitting, shock absorber, bottom	M10x1.25	50 Nm (36.9 lbf ft)	–
Nut, rear sprocket screw	M10x1.25	27 Nm (19.9 lbf ft)	<b>Loctite® 243™</b>
Screw, front footrest bracket / engine bearer	M10x1.25	47 Nm (34.7 lbf ft)	–
Screw, side stand bracket	M10x1.25	33 Nm (24.3 lbf ft)	<b>Loctite® 243™</b>
Stud, rear sprocket	M10x1.25	50 Nm (36.9 lbf ft)	–
Nut, rear wheel spindle	M14x1.5	90 Nm (66.4 lbf ft)	–
Screw, top steering head	M16x1.5	52 Nm (38.4 lbf ft)	<b>Loctite® 204™</b>
Lambda sensor	M18x1.5	20 Nm (14.8 lbf ft)	–



## Gasohol 95 E20 (RON 95)

### Standard/classification

- Gasohol 95 E20 (RON 95)

### Guideline

- Only use super unleaded fuel that matches or is equivalent to the specifications.
- Super unleaded fuel with an ethanol content of 19 to 20% is permissible.



### Info

- Do **not** use fuel made of methanol (e. g. M15, M85, M100).
- Do **not** use fuel with less than 19% ethanol (e. g. E10).
- Do **not** use fuel with more than 20% ethanol (e. g. E30, E85, E100).

## Super unleaded (ROZ 95/RON 95/PON 91)

### Standard/classification

- DIN EN 228 (ROZ 95/RON 95/PON 91)

### Guideline

- Only use unleaded super fuel that matches or is equivalent to the specified fuel grade.
- Fuel with an ethanol content of up to 10 % (E10 fuel) is safe to use.



### Info

- Do **not** use fuel containing methanol (e. g. M15, M85, M100) or more than 10 % ethanol (e. g. E15, E25, E85, E100).



3213460en

07/2016

