

**450 SX-F**  
**450 XC-F**

Art. no. 3213641en



**KTM**



# DEAR KTM CUSTOMER

Congratulations on your decision to purchase a KTM motorcycle. You are now the owner of a state-of-the-art sports motorcycle that will give you enormous pleasure if you service and maintain it properly.

We hope you enjoy your new vehicle!

Enter the serial numbers of your vehicle below.

Chassis number (📖 p. 11)	Dealer's stamp
Engine number (📖 p. 11)	

The Owner's Manual contained the latest information for this model series at the time of going to print. However, minor differences due to further developments in design cannot be ruled out completely.

All specifications are non-binding. KTM Sportmotorcycle GmbH specifically reserves the right to modify or delete technical specifications, prices, colors, forms, materials, services, designs, equipment, etc., without prior notice and without specifying reasons, to adapt these to local conditions, as well as to stop production of a particular model without prior notice. KTM accepts no liability for delivery options, deviations from illustrations and descriptions, misprints, and other errors. The models portrayed partly contain special equipment that does not belong to the regular scope of supply.

© 2017 KTM Sportmotorcycle GmbH, Mattighofen Austria  
All rights reserved

Reproduction, even in part, as well as copying of all kinds, is permitted only with the express written permission of the copyright owner.



ISO 9001(12 100 6061)

According to the international quality management standard ISO 9001, KTM uses quality assurance processes that lead to the maximum possible quality of the products.

Issued by: TÜV Management Service

REG.NO. 12 100 6061

KTM Sportmotorcycle GmbH  
5230 Mattighofen, Austria

This document is valid for the following models:

450 SX-F EU (F8401R5)

450 SX-F US (F8475R5)











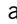
450 XC-F US (F8475R0)


































3213641en

03/2017

# TABLE OF CONTENTS







1	MEANS OF REPRESENTATION .....	4	8	RIDING INSTRUCTIONS .....	22
1.1	Symbols used .....	4	8.1	Checks and maintenance measures when preparing for use .....	22
1.2	Formats used .....	4	8.2	Starting .....	22
2	SAFETY ADVICE .....	5	8.3	Activating launch control .....	23
2.1	Use definition – intended use .....	5	8.4	Activating traction control .....	23
2.2	Misuse .....	5	8.5	Starting off .....	24
2.3	Safety advice .....	5	8.6	Shifting, riding .....	24
2.4	Degrees of risk and symbols .....	5	8.7	Applying the brakes .....	24
2.5	Tampering warning .....	5	8.8	Stopping, parking .....	25
2.6	Safe operation .....	6	8.9	Transport .....	25
2.7	Protective clothing .....	6	8.10	Refueling .....	26
2.8	Work rules .....	6	9	SERVICE SCHEDULE .....	27
2.9	Environment .....	6	9.1	Additional information .....	27
2.10	Owner's Manual .....	7	9.2	Required work .....	27
3	IMPORTANT NOTES .....	8	9.3	Recommended work .....	28
3.1	Manufacturer and implied warranty .....	8	10	TUNING THE CHASSIS .....	29
3.2	Operating and auxiliary substances .....	8	10.1	Checking the basic chassis setting with the rider's weight .....	29
3.3	Spare parts, accessories .....	8	10.2	Air suspension AER 48 .....	29
3.4	Service .....	8	10.3	Compression damping of the shock absorber .....	29
3.5	Figures .....	8	10.4	Adjusting the low-speed compression damping of the shock absorber .....	30
3.6	Customer service .....	8	10.5	Adjusting the high-speed compression damping of the shock absorber .....	30
4	VIEW OF VEHICLE .....	9	10.6	Adjusting the rebound damping of the shock absorber .....	31
4.1	View of vehicle, front left (example) .....	9	10.7	Measuring rear wheel sag unloaded .....	32
4.2	View of vehicle, rear right (example) .....	10	10.8	Checking the static sag of the shock absorber .....	32
5	SERIAL NUMBERS .....	11	10.9	Checking the riding sag of the shock absorber .....	33
5.1	Chassis number .....	11	10.10	Adjusting the spring pretension of the shock absorber  .....	33
5.2	Type label .....	11	10.11	Adjusting the riding sag  .....	34
5.3	Engine number .....	11	10.12	Checking the basic setting of the fork .....	34
5.4	Fork part number .....	11	10.13	Adjusting the fork air pressure .....	35
5.5	Shock absorber article number .....	11	10.14	Adjusting the compression damping of the fork .....	36
6	CONTROLS .....	12	10.15	Adjusting the rebound damping of the fork .....	36
6.1	Clutch lever .....	12	10.16	Handlebar position .....	37
6.2	Hand brake lever .....	12	10.17	Adjusting the handlebar position  .....	37
6.3	Throttle grip .....	12	11	SERVICE WORK ON THE CHASSIS .....	39
6.4	Kill switch .....	12	11.1	Raising the motorcycle with a lift stand .....	39
6.5	Electric starter button .....	12	11.2	Removing the motorcycle from the lift stand .....	39
6.6	Combination switch .....	13	11.3	Bleeding the fork legs .....	39
6.7	Overview of indicator lamps .....	13	11.4	Cleaning the dust boots of the fork legs .....	40
6.8	Service hour counter .....	13	11.5	Removing the fork protector .....	40
6.9	Opening the filler cap .....	13	11.6	Installing the fork protector .....	40
6.10	Closing the filler cap .....	14	11.7	Removing the fork legs  .....	41
6.11	Cold start button .....	15	11.8	Installing the fork legs  .....	41
6.12	Idle speed adjusting screw .....	16	11.9	Removing the lower triple clamp  .....	42
6.13	Shift lever .....	16	11.10	Installing the lower triple clamp  .....	42
6.14	Foot brake lever .....	17	11.11	Checking the steering head bearing play .....	44
6.15	Plug-in stand (All SX-F models) .....	17	11.12	Adjusting the steering head bearing play  .....	44
6.16	Side stand (XC-F US) .....	17	11.13	Greasing the steering head bearing  .....	45
7	PREPARING FOR USE .....	18	11.14	Removing the start number plate .....	45
7.1	Advice on first use .....	18	11.15	Installing the start number plate .....	45
7.2	Running in the engine .....	19	11.16	Removing the front fender .....	46
7.3	Starting power of lithium-ion batteries at low temperatures .....	19	11.17	Installing the front fender .....	46
7.4	Preparing the vehicle for difficult riding conditions .....	19	11.18	Removing the shock absorber  .....	46
7.5	Preparing for rides on dry sand .....	20	11.19	Installing the shock absorber  .....	47
7.6	Preparing for rides on wet sand .....	20	11.20	Removing the seat .....	49
7.7	Preparing for rides on wet and muddy surfaces .....	21	11.21	Mounting the seat .....	49
7.8	Preparing for rides at high temperature and slow speed .....	21			
7.9	Preparing for rides at low temperature and in snow .....	21			

11.22	Removing the air filter box cover .....	49	15.3	Checking the coolant level .....	82
11.23	Installing the air filter box cover .....	50	15.4	Draining the coolant  .....	82
11.24	Removing the air filter  .....	50	15.5	Refilling coolant  .....	83
11.25	Cleaning the air filter and air filter box  .....	51	16	TUNING THE ENGINE .....	84
11.26	Installing the air filter  .....	51	16.1	Checking the play in the throttle cable .....	84
11.27	Securing the air filter box cover  .....	52	16.2	Adjusting the play in the throttle cable  .....	84
11.28	Sealing the air filter box  .....	52	16.3	Setting the characteristic map of the throttle response  .....	85
11.29	Removing the main silencer .....	52	16.4	Changing the mapping .....	86
11.30	Installing the main silencer .....	52	16.5	Adjusting the idle speed  .....	86
11.31	Changing the glass fiber yarn filling of the main silencer  .....	53	16.6	Teaching the throttle valve position .....	87
11.32	Removing the fuel tank  .....	53	16.7	Checking the basic position of the shift lever .....	87
11.33	Installing the fuel tank  .....	55	16.8	Adjusting the basic position of the shift lever  .....	88
11.34	Checking for chain dirt accumulation .....	56	17	SERVICE WORK ON THE ENGINE .....	89
11.35	Cleaning the chain .....	57	17.1	Changing the fuel screen  .....	89
11.36	Checking the chain tension .....	57	17.2	Checking the engine oil level .....	90
11.37	Adjusting the chain tension .....	58	17.3	Changing the engine oil and oil filter, cleaning the oil screens  .....	91
11.38	Checking the chain, rear sprocket, engine sprocket, and chain guide .....	58	17.4	Adding engine oil .....	93
11.39	Checking the frame  .....	60	18	CLEANING, CARE .....	94
11.40	Checking the swingarm  .....	60	18.1	Cleaning the motorcycle .....	94
11.41	Checking the throttle cable routing .....	60	19	STORAGE .....	95
11.42	Checking the rubber grips .....	61	19.1	Storage .....	95
11.43	Adjusting the basic position of the clutch lever .....	61	19.2	Preparing for use after storage .....	96
11.44	Checking/correcting the fluid level of the hydraulic clutch .....	62	20	TROUBLESHOOTING .....	97
11.45	Changing the hydraulic clutch fluid  .....	62	21	TECHNICAL DATA .....	99
12	BRAKE SYSTEM .....	64	21.1	Engine .....	99
12.1	Checking the free travel of the hand brake lever .....	64	21.2	Engine tightening torques .....	99
12.2	Adjusting the basic position of the hand brake lever .....	64	21.3	Capacities .....	101
12.3	Checking the brake discs .....	64	21.3.1	Engine oil .....	101
12.4	Checking the brake fluid level of the front brake .....	65	21.3.2	Coolant .....	101
12.5	Adding front brake fluid  .....	65	21.3.3	Fuel .....	101
12.6	Checking the front brake linings .....	66	21.4	Chassis .....	101
12.7	Changing the front brake linings  .....	67	21.5	Electrical system .....	102
12.8	Checking the free travel of foot brake lever .....	68	21.6	Tires .....	102
12.9	Adjusting the basic position of the foot brake lever  .....	69	21.7	Fork .....	102
12.10	Checking the rear brake fluid level .....	69	21.7.1	SX-F EU .....	102
12.11	Adding rear brake fluid  .....	70	21.7.2	SX-F US .....	102
12.12	Checking the rear brake linings .....	70	21.7.3	XC-F US .....	103
12.13	Changing the rear brake linings  .....	71	21.8	Shock absorber .....	103
13	WHEELS, TIRES .....	73	21.8.1	SX-F EU .....	103
13.1	Removing the front wheel  .....	73	21.8.2	SX-F US .....	104
13.2	Installing the front wheel  .....	73	21.8.3	XC-F US .....	104
13.3	Removing the rear wheel  .....	74	21.9	Chassis tightening torques .....	105
13.4	Installing the rear wheel  .....	75	22	SUBSTANCES .....	107
13.5	Checking the tire condition .....	76	23	AUXILIARY SUBSTANCES .....	109
13.6	Checking the tire air pressure .....	76	24	STANDARDS .....	111
13.7	Checking spoke tension .....	76	25	INDEX OF SPECIAL TERMS .....	112
14	ELECTRICAL SYSTEM .....	78	26	LIST OF ABBREVIATIONS .....	113
14.1	Removing the battery  .....	78	27	LIST OF SYMBOLS .....	114
14.2	Installing the battery  .....	78	27.1	Yellow and orange symbols .....	114
14.3	Recharging the battery  .....	79	INDEX .....		115
14.4	Changing the main fuse .....	80			
15	COOLING SYSTEM .....	81			
15.1	Cooling system .....	81			
15.2	Checking the antifreeze and coolant level .....	81			

## 1.1 Symbols used

The meaning of specific symbols is described below.

---

	Indicates an expected reaction (e.g. of a work step or a function).
	Indicates an unexpected reaction (e.g. of a work step or a function).
	All work marked with this symbol requires specialist knowledge and technical understanding. In the interest of your own safety, have these jobs performed by an authorized KTM workshop. There, your motorcycle will be optimally cared for by specially trained experts using the specialist tools required.
	Indicates a page reference (more information is provided on the specified page).
	Indicates information with more details or tips.
	Indicates the result of a testing step.

---

## 1.2 Formats used

The typographical formats used in this document are explained below.

---

<b>Specific name</b>	Identifies a proprietary name.
<b>Name<sup>®</sup></b>	Identifies a protected name.
<b>Brand<sup>™</sup></b>	Identifies a brand available on the open market.
<b><u>Underlined terms</u></b>	Refer to technical details of the vehicle or indicate technical terms that are explained in the glossary.

---

## 2.1 Use definition – intended use

### (All SX-F models)

This vehicle is designed and built to withstand the normal stresses and strains of competitive use. This vehicle complies with the currently valid regulations and categories of the top international motorsport organizations.



#### Info

Only operate this vehicle in closed-off areas remote from public road traffic.

### (XC-F US)

This vehicle is designed and built to withstand the normal stresses and strains of competitive use. This vehicle complies with the currently valid regulations and categories of the top international motorsport organizations.



#### Info

Only operate this vehicle in closed-off areas remote from public road traffic.

This vehicle is designed for use in offroad endurance competition, and not primarily for use in motocross.

## 2.2 Misuse

The vehicle must only be used as intended.

Dangers can arise for people, property and the environment through use not as intended.

Any use of the vehicle beyond the intended and defined use constitutes misuse.

Misuse also includes the use of operating and auxiliary fluids which do not meet the required specification for the respective use.

## 2.3 Safety advice

A number of safety instructions need to be followed to operate the vehicle safely. Therefore, read this manual carefully. The safety instructions are highlighted in the text and are referred to at the relevant passages.



#### Info

The vehicle has various information and warning labels at prominent locations. Do not remove information/warning labels. If they are missing, you or others may not recognize dangers and may therefore be injured.

## 2.4 Degrees of risk and symbols



#### Danger

Indicates a danger that will immediately and invariably lead to fatal or serious permanent injury if the appropriate measures are not taken.



#### Warning

Indicates a danger that is likely to lead to fatal or serious injury if the appropriate measures are not taken.



#### Caution

Indicates a danger that may lead to minor injuries if the appropriate measures are not taken.

#### Note

Indicates a danger that will lead to considerable machine and material damage if the appropriate measures are not taken.



#### Warning

Indicates a danger that will lead to environmental damage if the appropriate measures are not taken.

## 2.5 Tampering warning

Tampering with the noise control system is prohibited. Federal law prohibits the following acts or the causing thereof:

- 1 The removal or rendering inoperative by any person other than for purposes of maintenance, repair, or replacement, of any device or element of design incorporated into any new vehicle for the purpose of noise control prior to its sale or delivery to the ultimate purchaser or while it is in use, or
- 2 the use of the vehicle after such device or element of design has been removed or rendered inoperative by any person.

Among those acts presumed to constitute tampering are the acts listed below:

- 1 Removal or puncturing of the main silencer, baffles, header pipes or any other components which conduct exhaust gases.
- 2 Removal or puncturing of parts of the intake system.
- 3 Lack of proper maintenance.
- 4 Replacing moving part of the vehicle, or parts of the exhaust or intake system, with parts other than those specified by the manufacturer.

### 2.6 Safe operation



#### **Danger**

**Danger of accidents** A rider who is not fit to ride poses a danger to him or herself and others.

- Do not operate the vehicle if you are not fit to ride due to alcohol, drugs or medication.
- Do not operate the vehicle if you are physically or mentally impaired.



#### **Danger**

**Danger of poisoning** Exhaust gases are toxic and inhaling them may result in unconsciousness and death.

- Always make sure there is sufficient ventilation when running the engine.
- Use an effective exhaust extraction system when starting or running the engine in an enclosed space.



#### **Warning**

**Danger of burns** Some vehicle components become very hot when the vehicle is operated.

- Do not touch any parts such as the exhaust system, radiator, engine, shock absorber, or brake system before the vehicle parts have cooled down.
- Let the vehicle parts cool down before you perform any work on the vehicle.

Only operate the vehicle when it is in perfect technical condition, in accordance with its intended use, and in a safe and environmentally compatible manner.

The vehicle should only be used by trained persons.

Have malfunctions that impair safety promptly eliminated by an authorized KTM workshop.

Adhere to the information and warning labels on the vehicle.

### 2.7 Protective clothing



#### **Warning**

**Risk of injury** Missing or poor protective clothing presents an increased safety risk.

- Wear appropriate protective clothing such as helmet, boots, gloves as well as trousers and a jacket with protectors on all rides.
- Always wear protective clothing that is in good condition and meets the legal regulations.

In the interest of your own safety, KTM recommends that you only operate the vehicle while wearing protective clothing.

### 2.8 Work rules

Special tools are necessary for certain tasks. The tools are not contained in the vehicle but can be ordered under the number in parentheses. E.g.: bearing puller (15112017000)

During assembly, non-reusable parts (e.g. self-locking screws and nuts, seals and seal rings, O-rings, pins, lock washers) must be replaced by new parts.

In some instances, a thread locker (e.g. **Loctite**®) is required. The manufacturer instructions for use must be followed.

After disassembly, clean the parts that are to be reused and check them for damage and wear. Change damaged or worn parts.

After you complete the repair or service work, check the operating safety of the vehicle.

### 2.9 Environment

If you use your motorcycle responsibly, you can ensure that problems and conflicts do not occur. To protect the future of the motorcycle sport, make sure that you use your motorcycle legally, display environmental consciousness, and respect the rights of others. When disposing of used oil, other operating and auxiliary fluids, and used components, comply with the laws and regulations of the respective country.

Because motorcycles are not subject to the EU regulations governing the disposal of used vehicles, there are no legal regulations that pertain to the disposal of an end-of-life motorcycle. Your authorized KTM dealer will be glad to advise you.



### 2.10 Owner's Manual

It is important that you read this Owner's Manual carefully and completely before making your first trip. The Owner's Manual contains useful information and many tips on how to operate, handle, and maintain your motorcycle. Only then will you find out how to customize the vehicle ideally for your own use and how you can protect yourself from injury.

Keep the Owner's Manual in an accessible place to enable you to refer to it as needed.

If you would like to know more about the vehicle or have questions on the material you read, please contact an authorized KTM dealer. The Owner's Manual is an important component of the vehicle and must be handed over to the new owner if the vehicle is sold.

## 3.1 Manufacturer and implied warranty

The work specified in the service schedule may only be performed in an authorized KTM workshop and must be recorded in both the Service & Warranty Booklet and in **KTM Dealer.net**, otherwise any warranty coverage will become void. Damage or secondary damage caused by tampering with and/or conversions on the vehicle are not covered by the warranty.

Additional information on the manufacturer or implied warranty and the procedures involved can be found in the Service & Warranty Booklet.

## 3.2 Operating and auxiliary substances



### Warning

**Environmental hazard** Improper handling of fuel is a danger to the environment.

- Do not allow fuel to enter the groundwater, the soil, or the sewage system.

Use operating and auxiliary substances (such as fuel and lubricants) as specified in the Owner's Manual.

## 3.3 Spare parts, accessories

For your own safety, only use spare parts and accessory products that are approved and/or recommended by KTM and have them installed by an authorized KTM workshop. KTM accepts no liability for other products and any resulting damage or loss. Certain spare parts and accessory products are specified in parentheses in the descriptions. Your authorized KTM dealer will be glad to advise you.

The current **KTM PowerParts** for your vehicle can be found on the KTM website.

International KTM Website: <http://www.ktm.com>

## 3.4 Service

A prerequisite for perfect operation and prevention of premature wear is that the service, care, and tuning work on the engine and chassis is properly carried out as described in the Owner's Manual. Incorrect adjustment and tuning of the engine and chassis can lead to damage and breakage of components.

Use of the vehicle under difficult conditions, such as on sand or on wet and muddy surfaces, can lead to considerably more rapid wear of components such as the drive train, brake system, or suspension components. For this reason, it may be necessary to inspect or replace parts before the next scheduled service.

It is imperative that you adhere to the stipulated run-in times and service intervals. If you observe these exactly, you will ensure a much longer service life for your motorcycle.

## 3.5 Figures

The figures contained in the manual may depict special equipment.

In the interest of clarity, some components may be shown disassembled or may not be shown at all. It is not always necessary to disassemble the component to perform the activity in question. Please follow the instructions in the text.

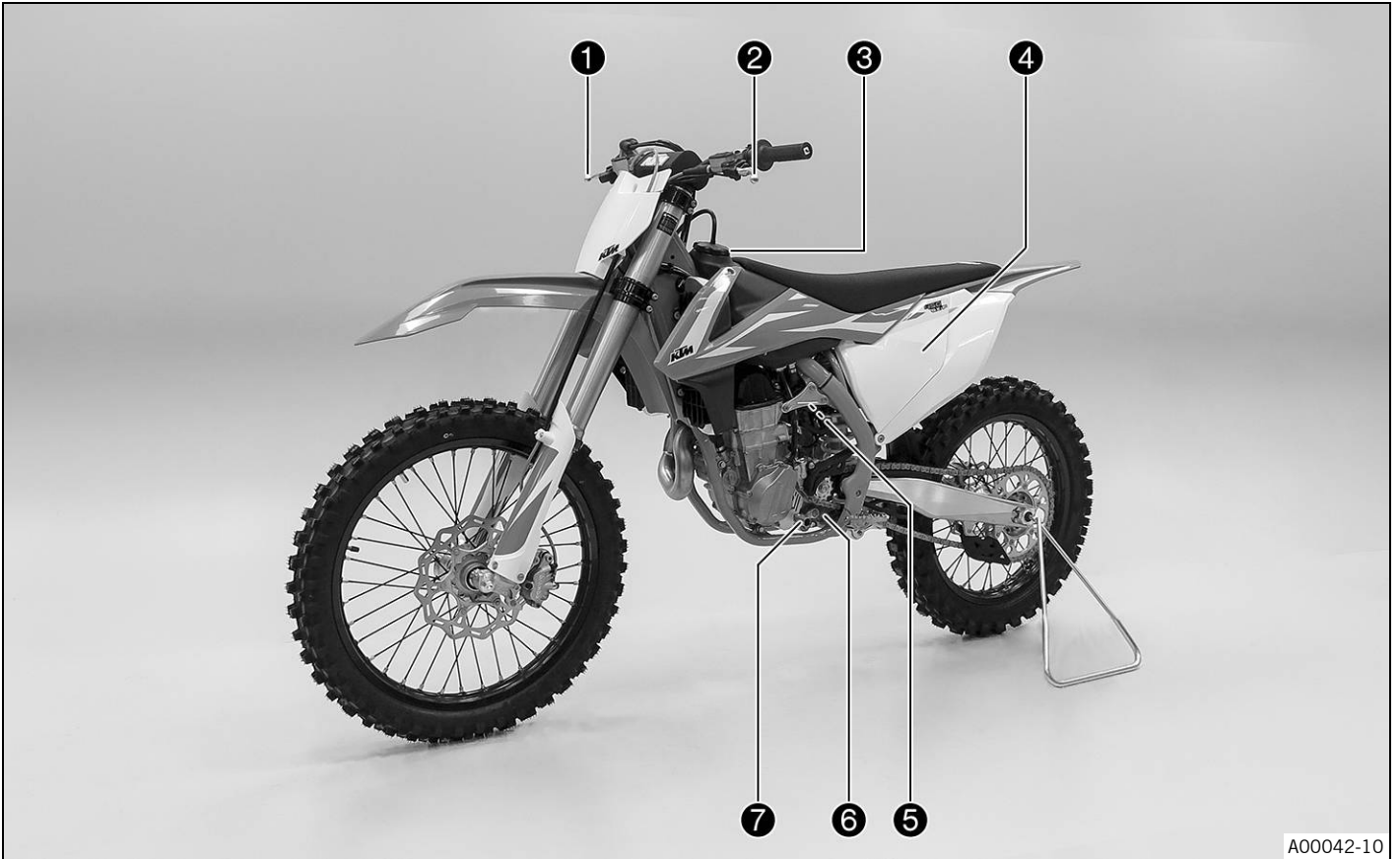
## 3.6 Customer service

Your authorized KTM dealer will be happy to answer any questions you may have on your vehicle and KTM.

A list of authorized KTM dealers can be found on the KTM website.

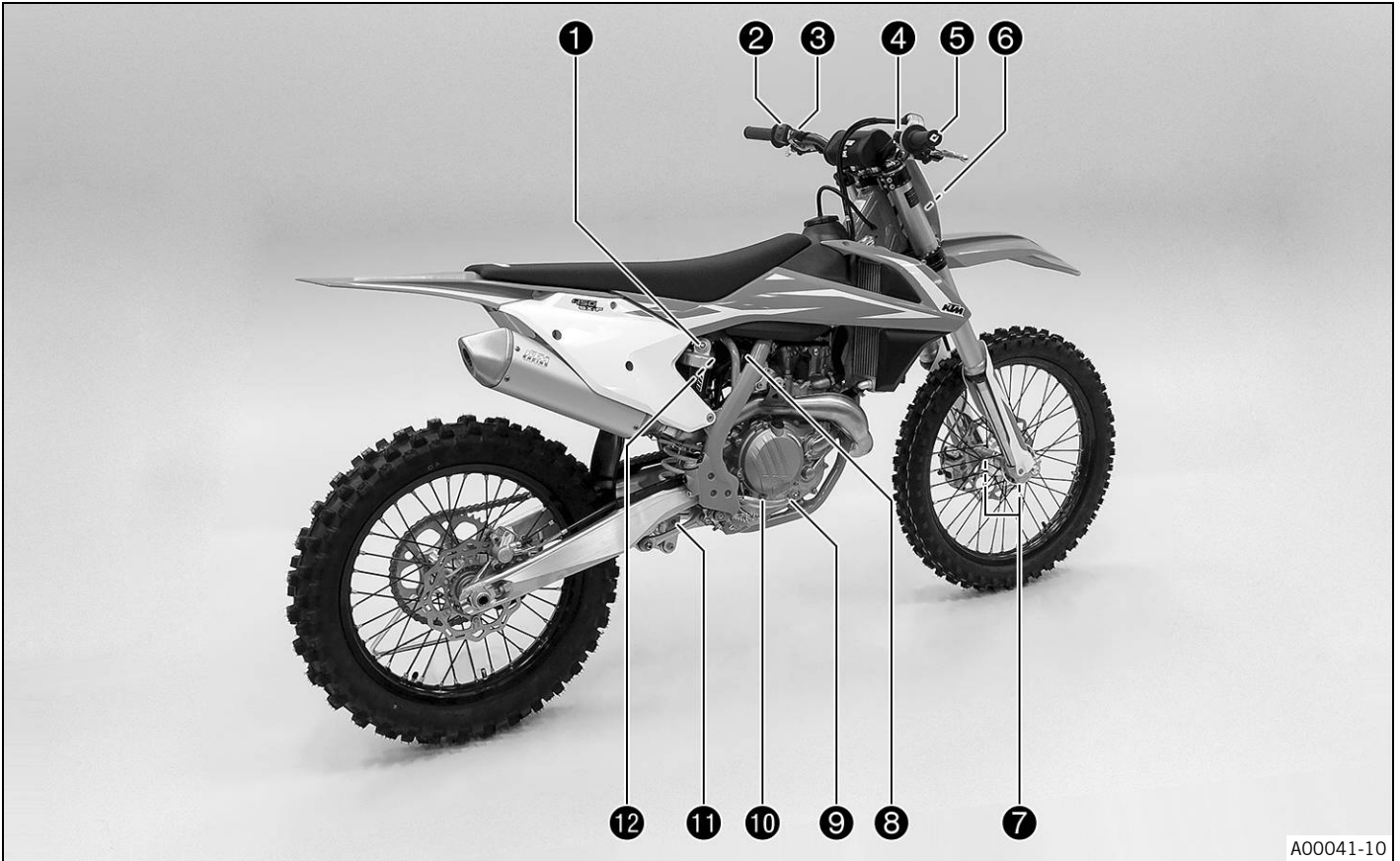
International KTM Website: <http://www.ktm.com>

## 4.1 View of vehicle, front left (example)



- |   |                             |
|---|-----------------------------|
| 1 | Hand brake lever (🗨 p. 12)  |
| 2 | Clutch lever (🗨 p. 12)      |
| 3 | Filler cap                  |
| 4 | Air filter box cover        |
| 5 | Cold start button (🗨 p. 15) |
| 6 | Engine number (🗨 p. 11)     |
| 7 | Shift lever (🗨 p. 16)       |

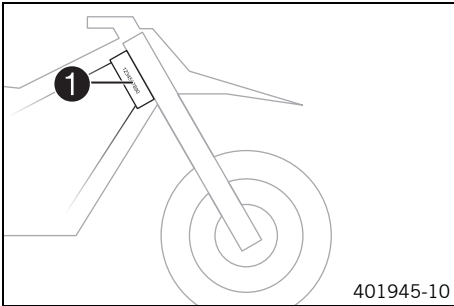
## 4.2 View of vehicle, rear right (example)



A00041-10

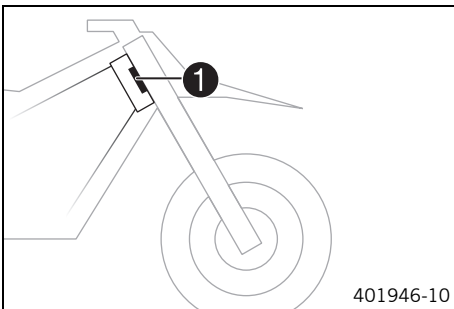
1	Shock absorber compression adjustment
2	Combination switch (📖 p. 13)
3	Kill switch (📖 p. 12)
4	Electric starter button (📖 p. 12)
5	Throttle grip (📖 p. 12)
6	Chassis number (📖 p. 11)
6	Type label (📖 p. 11)
7	Fork part number (📖 p. 11)
8	Idle speed adjusting screw (📖 p. 16)
9	Foot brake lever (📖 p. 17)
10	Engine oil level viewer
11	Shock absorber rebound adjustment
12	Shock absorber article number (📖 p. 11)

## 5.1 Chassis number



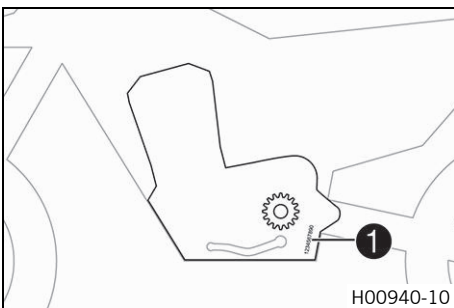
The chassis number ① is stamped on the right side of the steering head.

## 5.2 Type label



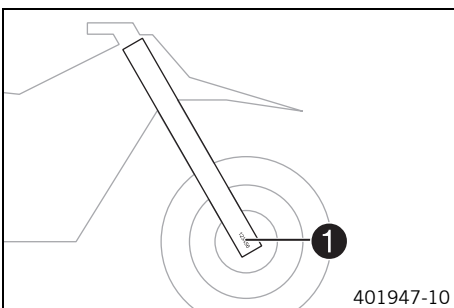
The type label ① is fixed to the front of the steering head.

## 5.3 Engine number



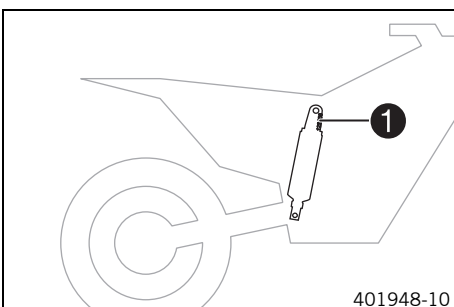
The engine number ① is stamped on the left side of the engine.

## 5.4 Fork part number



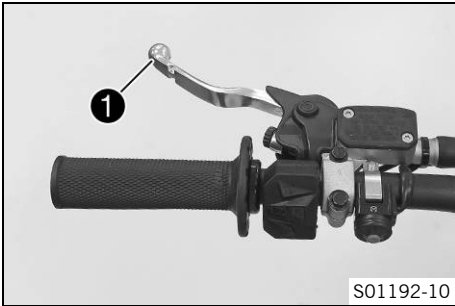
The fork part number ① is stamped on the inner side of the axle clamp.

## 5.5 Shock absorber article number



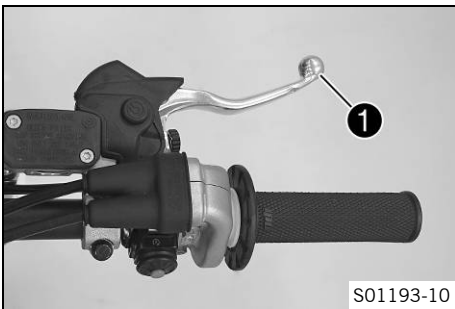
Shock absorber article number ① is stamped on the top of the shock absorber above the adjusting ring towards the engine side.

## 6.1 Clutch lever



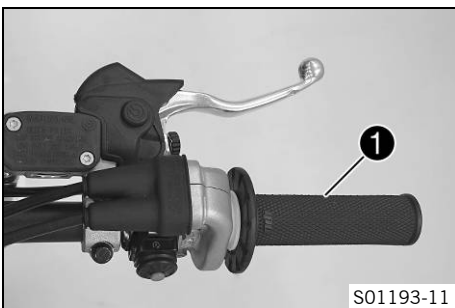
The clutch lever ① is fitted on the left side of the handlebar. The clutch is hydraulically operated and self-adjusting.

## 6.2 Hand brake lever



Hand brake lever ① is fitted on the right side of the handlebar. The front brake is engaged using the hand brake lever.

## 6.3 Throttle grip



The throttle grip ① is fitted on the right side of the handlebar.

## 6.4 Kill switch

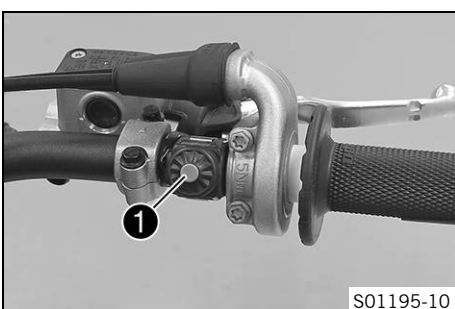


Kill switch ① is fitted on the left side of the handlebar.

### Possible states

- Kill switch ☒ in basic position – In this position, the ignition circuit is closed and the engine can be started.
- Kill switch ☒ pressed – In this position, the ignition circuit is interrupted, a running engine stops, and a non-running engine will not start.

## 6.5 Electric starter button

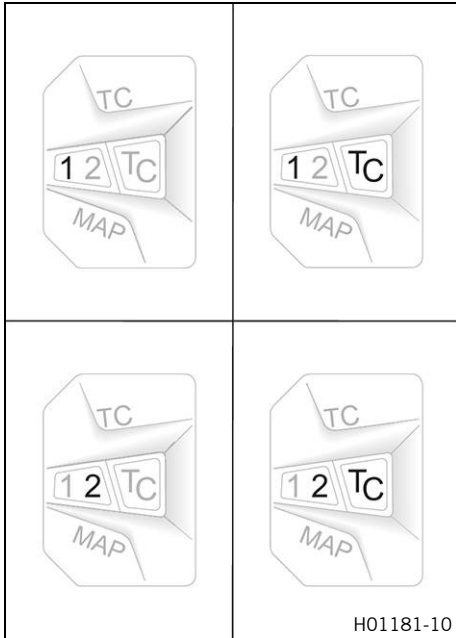


Electric starter button ① is fitted on the right side of the handlebar.

### Possible states

- Electric starter button ☒ in basic position
- Electric starter button ☒ pressed – In this position, the electric starter is actuated.

## 6.6 Combination switch



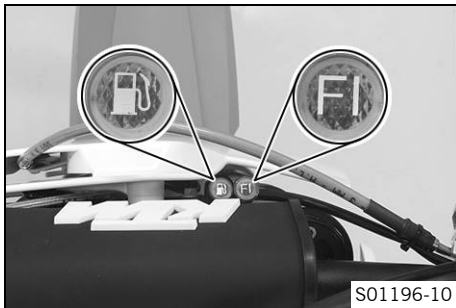
The combination switch is fitted on the left side of the handlebar.

### Possible states

<b>1</b>	STANDARD – STANDARD mapping is activated when LED 1 lights up.
<b>1TC</b>	STANDARD with TC – STANDARD mapping with traction control is activated when LED 1 and <b>TC</b> light up.
<b>2</b>	ADVANCED – ADVANCED mapping is activated, when LED 2 lights up.
<b>2TC</b>	ADVANCED with TC – ADVANCED mapping with traction control is activated when LED 2 and <b>TC</b> light up.

The engine characteristic can be changed using button **MAP** on the combination switch.  
The launch control and the traction control can also be activated using the combination switch.

## 6.7 Overview of indicator lamps



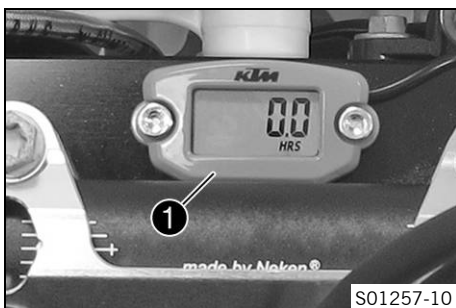
### Possible states

	Malfunction indicator lamp lights up/flashes orange – The <u>OBD</u> has detected an emission- or safety-critical fault.
	Malfunction indicator lamp flashes orange rapidly – Launch control is activated.

### (XC-F US)

	Fuel level warning lamp lights up orange – The fuel level has reached the reserve mark.
--	---

## 6.8 Service hour counter



Service hour counter **1** is fitted in front of the handlebar.

It shows the total number of service hours of the engine.

The service hour counter begins counting when the engine is started and stops when the engine is switched off.

### Info

The value indicated by the service hour counter cannot be cleared or adjusted.

## 6.9 Opening the filler cap

### Danger

**Fire hazard** Fuel is highly flammable.

The fuel in the fuel tank expands when warm and can escape if overfilled.

- Do not refuel the vehicle in the vicinity of open flames or lit cigarettes.
- Switch off the engine for refueling.
- Make sure that no fuel is spilled; particularly not on hot parts of the vehicle.
- If any fuel is spilled, wipe it off immediately.
- Observe the specifications for refueling.



**Warning**

**Danger of poisoning** Fuel is poisonous and a health hazard.

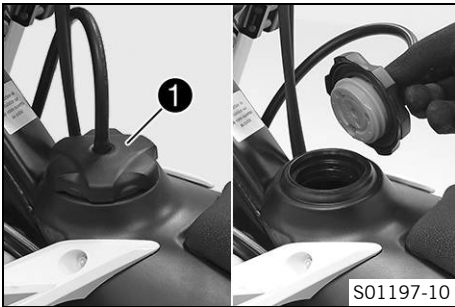
- Avoid skin, eye and clothing contact with fuel.
- Immediately consult a doctor if you swallow fuel.
- Do not inhale fuel vapors.
- In case of skin contact, rinse the affected area with plenty of water.
- Rinse the eyes thoroughly with water, and consult a doctor in case of fuel contact with the eyes.
- Change your clothing in case of fuel spills on them.
- Keep fuels correctly in a suitable canister, and out of the reach of children.



**Warning**

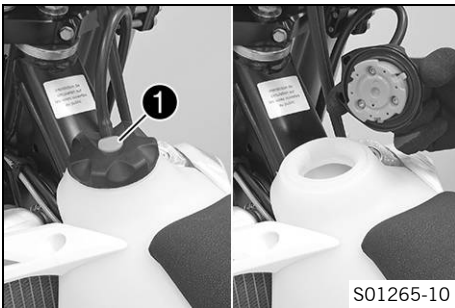
**Environmental hazard** Improper handling of fuel is a danger to the environment.

- Do not allow fuel to enter the groundwater, the soil, or the sewage system.



**(All SX-F models)**

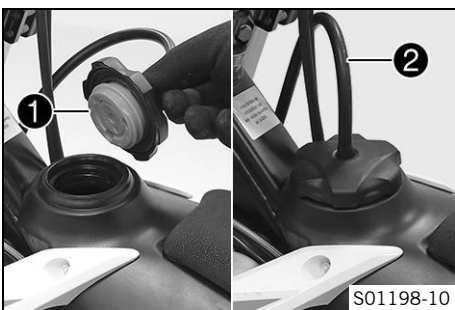
- Turn filler cap ① counterclockwise and lift it off.



**(XC-F US)**

- Press release button ①, turn the filler cap counterclockwise, and lift it off.

## 6.10 Closing the filler cap



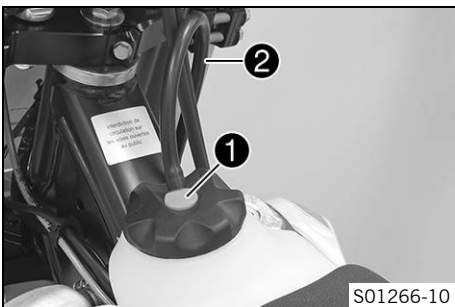
**(All SX-F models)**

- Mount filler cap ① and turn it clockwise until the fuel tank is tightly closed.



**Info**

Route fuel tank breather hose ② without kinks.



**(XC-F US)**

- Replace the filler cap and turn clockwise until release button ① locks in place.

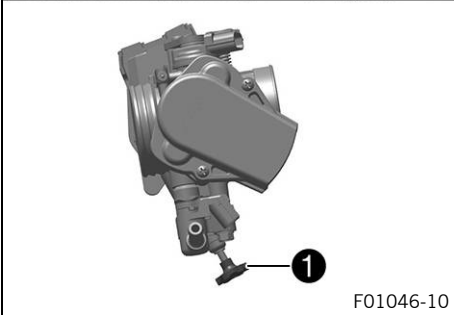
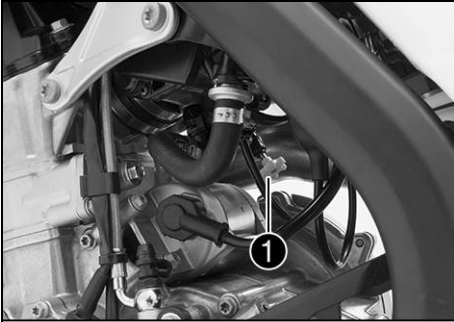


**Info**

Route fuel tank breather hose ② without kinks.

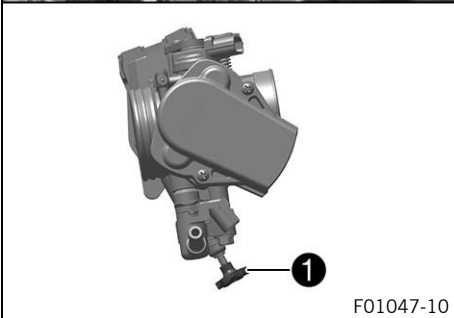


## 6.11 Cold start button



**(All SX-F models)**

Cold start button **1** is fitted on the bottom of the throttle valve body.



**(XC-F US)**

Cold start button **1** is fitted on the bottom of the throttle valve body.

The injection system extends the injection time if the engine is cold and the outside temperature is low. To help the engine burn the increased amount of fuel, it must be supplied with additional oxygen by pushing the cold start button.

After briefly opening up the throttle and then releasing the throttle grip again, or turning the throttle grip towards the front, the cold start button returns to its original position.

**i Info**

Check whether the cold start button has returned to its basic position.

**Possible states**

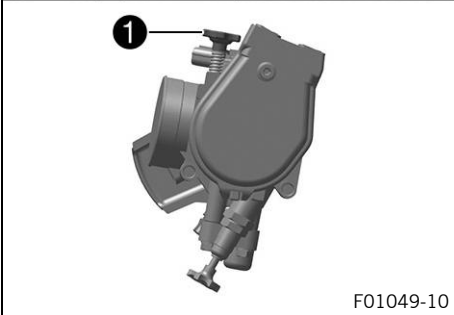
- The cold start button is activated – The cold start button is pushed in all the way.
- The cold start button is deactivated – The cold start button is in its basic position.

## 6.12 Idle speed adjusting screw

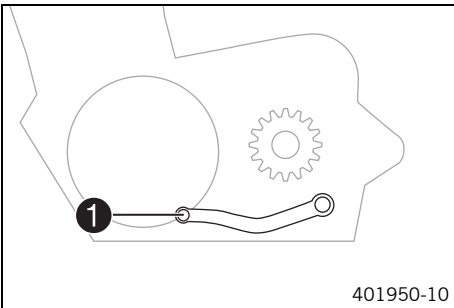


The idle setting of the throttle valve body has a big influence on the vehicle's starting behavior, on stable idling, and on vehicle response when the throttle is opened. An engine with a correctly set idle speed is easier to start than an engine with the idle speed set incorrectly.

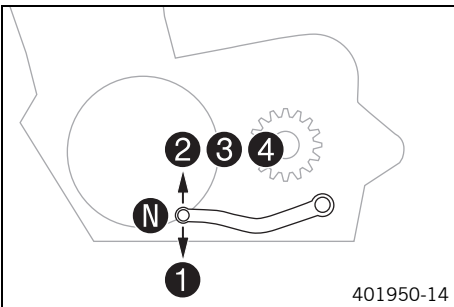
The idle speed is adjusted with idle speed adjusting screw **1**. Increase the idle speed by turning the idle speed adjusting screw clockwise. Decrease the idle speed by turning the idle speed adjusting screw counterclockwise.



## 6.13 Shift lever

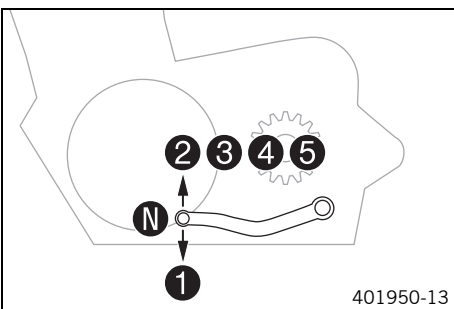


Shift lever **1** is mounted on the left of the engine.



### (SX-F EU)

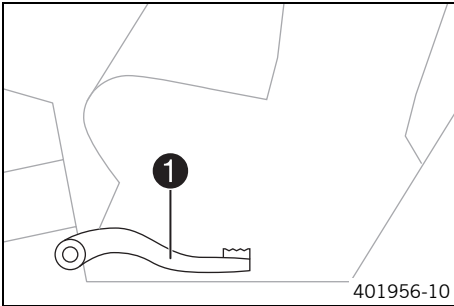
The gear positions can be seen in the figure. The neutral or idle position is between the first and second gears.



### (SX-F US, XC-F US)

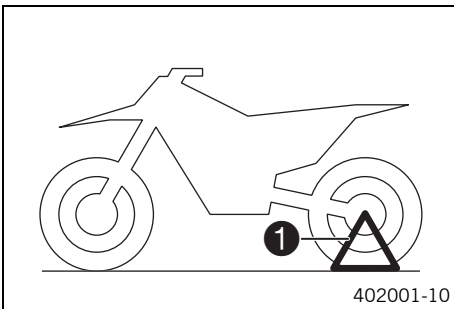
The gear positions can be seen in the figure. The neutral or idle position is between the first and second gears.

## 6.14 Foot brake lever



Foot brake lever ① is located in front of the right footrest. The foot brake lever is used to activate the rear brake.

## 6.15 Plug-in stand (All SX-F models)



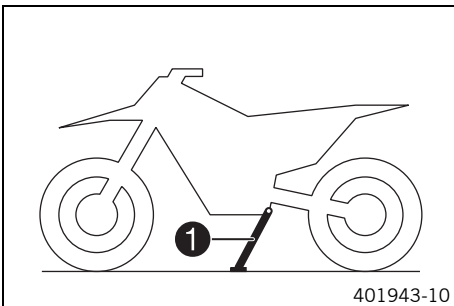
Support for plug-in stand ① is the left side of the wheel spindle. The plug-in stand is used to park the motorcycle.

---

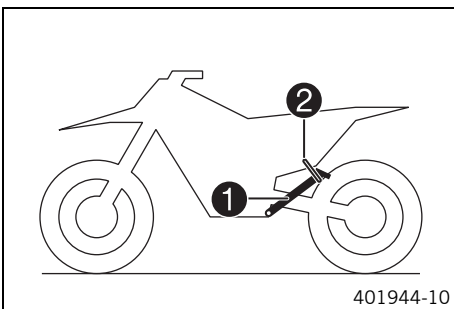
**i Info**  
Remove the plug-in stand before riding.

---

## 6.16 Side stand (XC-F US)



The side stand ① is on the left side of the vehicle.



The side stand is used to park the motorcycle.

---

**i Info**  
When you are riding, side stand ① must be folded up and secured with rubber band ②.

---

## 7.1 Advice on first use



### Danger

**Danger of accidents** A rider who is not fit to ride poses a danger to him or herself and others.

- Do not operate the vehicle if you are not fit to ride due to alcohol, drugs or medication.
- Do not operate the vehicle if you are physically or mentally impaired.



### Warning

**Risk of injury** Missing or poor protective clothing presents an increased safety risk.

- Wear appropriate protective clothing such as helmet, boots, gloves as well as trousers and a jacket with protectors on all rides.
- Always wear protective clothing that is in good condition and meets the legal regulations.



### Warning

**Danger of crashing** Different tire tread patterns on the front and rear wheel impair the handling characteristic. Different tire tread patterns can make the vehicle significantly more difficult to control.

- Make sure that only tires with a similar tire tread pattern are fitted to the front and rear wheel.



### Warning

**Danger of accidents** An unadapted riding style impairs the handling characteristic.

- Adapt your riding speed to the road conditions and your riding ability.



### Warning

**Danger of accidents** The vehicle is not designed to carry passengers.

- Do not ride with a passenger.



### Warning

**Danger of accidents** The brake system fails in the event of overheating. If the foot brake lever is not released, the brake linings drag continuously.

- Take your foot off the foot brake lever when you are not braking.



### Warning

**Danger of accidents** Total weight and axle loads influence the handling characteristic.

- Do not exceed the maximum permissible overall weight or the axle loads.



### Warning

**Risk of misappropriation** People who act without authorization endanger themselves and others.

- Do not leave the vehicle unattended if the engine is running.
- Protect the vehicle against access by unauthorized persons.



### Info

When using your motorcycle, remember that others may feel disturbed by excessive noise.

- Make sure that the pre-delivery inspection work has been carried out by an authorized KTM workshop.
  - ✓ You receive a delivery certificate and the Service and Warranty Booklet at vehicle handover.
- Before your first trip, read the entire Owner's Manual carefully.
- Get to know the controls.
- Adjust the basic position of the clutch lever. (📖 p. 61)
- Adjust the basic position of the hand brake lever. (📖 p. 64)
- Adjust the basic position of the foot brake lever. 🦶 (📖 p. 69)
- Adjust the basic position of the shift lever. 🦶 (📖 p. 88)
- Get used to handling the motorcycle on a suitable surface before undertaking a more challenging trip.



### Info

Your motorcycle is not approved for use on public roads.

When off road, it is recommended that you are accompanied by another person on another vehicle so that you can help each other.

- Try also to ride as slowly as possible and in a standing position to get a better feeling for the motorcycle.
- Do not make any off-road trips that exceed your ability and experience.
- Hold the handlebar firmly with both hands and keep your feet on the footrests when riding.

**(All SX-F models)**

- Do not take luggage along.

**(XC-F US)**

- If you carry luggage, make sure you secure it firmly as close as possible to the center of the vehicle and ensure even weight distribution between the front and rear wheels.



**Info**

Motorcycles react sensitively to any changes of weight distribution.

- Do not exceed the maximum permissible weight and the maximum permissible axle loads.

Guideline

Maximum permissible overall weight	335 kg (739 lb.)
Maximum permissible front axle load	145 kg (320 lb.)
Maximum permissible rear axle load	190 kg (419 lb.)

- Run in the engine. (📖 p. 19)

## 7.2 Running in the engine

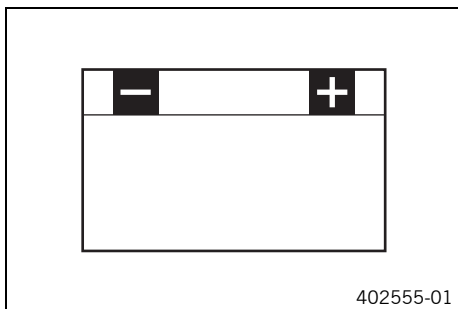
- During the running-in phase, do not exceed the specified engine speed and engine performance.

Guideline

Maximum engine speed	
During the first operating hour	7,000 rpm
Maximum engine performance	
During the first 3 operating hours	≤ 75 %

- Avoid fully opening the throttle!

## 7.3 Starting power of lithium-ion batteries at low temperatures



Lithium-ion batteries are far lighter than lead batteries, have a low self-discharge rate, and have more starting power at temperatures over 15 °C (60 °F). At low temperatures, however, the starting power of lithium-ion batteries drops to below that of lead batteries.

Multiple starting attempts may be needed. Press the electric starter button for 5 seconds, and wait 30 seconds between attempts. The pauses are necessary so that the created heat can distribute through the lithium-ion battery and the battery is not damaged.

If the charged lithium-ion battery does not or only weakly turns over the electric starter when temperatures are below 15 °C (60 °F), then the battery is not faulty, but needs to be warmed up internally to increase its starting power (current output).

The starting power increases as the battery warms up.

## 7.4 Preparing the vehicle for difficult riding conditions



**Info**

Use of the vehicle under difficult conditions, such as on sand or on wet and muddy surfaces, can lead to considerably more rapid wear of components such as the drive train, brake system, or suspension components. For this reason, it may be necessary to inspect or replace parts before the next scheduled service.

- Clean the air filter and air filter box. 📖 (📖 p. 51)



**Info**

Check the air filter approx. every 30 minutes.

- Seal the air filter box. 📖 (📖 p. 52)
- Secure the air filter box cover. 📖 (📖 p. 52)
- Check the electrical connector for humidity and corrosion and to ensure it is firmly seated.
  - » If humidity, corrosion, or damage is found:

- Clean and dry the connector, or change it if necessary.

**Difficult riding conditions are:**

- Rides on dry sand. (📖 p. 20)
- Rides on wet sand. (📖 p. 20)
- Rides on wet and muddy surfaces. (📖 p. 21)
- Rides at high temperature and slow speed. (📖 p. 21)
- Riding at low temperature and in snow. (📖 p. 21)

## 7.5 Preparing for rides on dry sand



- Fit a dust cover on the air filter.

Dust protection device for air filter (79006920000)



**Info**

See the **KTM PowerParts** fitting instructions.



- Fit a sand cover on the air filter.

Sand protection device for air filter (79006922000)



**Info**

See the **KTM PowerParts** fitting instructions.



- Clean the chain.

Chain cleaner (📖 p. 109)

- Fit the steel sprocket.



**Tip**

Do not grease the chain.

- Clean the radiator fins.
- Straighten bent radiator fins carefully.

## 7.6 Preparing for rides on wet sand



- Fit a rain cover on the air filter.

Waterproofing device for air filter (79006921000)



**Info**

See the **KTM PowerParts** fitting instructions.



- Clean the chain.

Chain cleaner (📖 p. 109)

- Fit the steel sprocket.



**Tip**

Do not grease the chain.

- Clean the radiator fins.
- Straighten bent radiator fins carefully.

## 7.7 Preparing for rides on wet and muddy surfaces



- Fit a waterproofing device on the air filter.

Waterproofing device for air filter (79006921000)



### Info

See the **KTM PowerParts** fitting instructions.



- Fit the steel sprocket.
- Clean the motorcycle. (📖 p. 94)
- Straighten bent radiator fins carefully.

## 7.8 Preparing for rides at high temperature and slow speed



- Adjust the secondary drive to the road conditions.



### Info

The engine oil quickly gets hot if the clutch has to be operated very often due to an excessively high secondary drive.

- Clean the chain.

Chain cleaner (📖 p. 109)

- Clean radiator fins.
- Straighten bent radiator fins carefully.
- Check the coolant level. (📖 p. 82)

## 7.9 Preparing for rides at low temperature and in snow



- Fit a waterproofing device on the air filter.

Waterproofing device for air filter (79006921000)



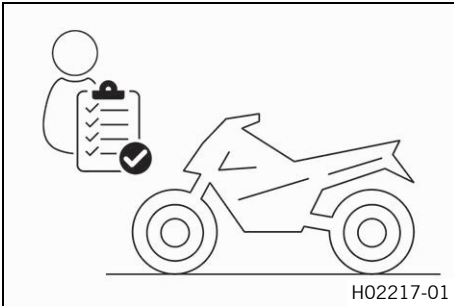
### Info

See the **KTM PowerParts** fitting instructions.

## 8.1 Checks and maintenance measures when preparing for use

### **i** Info

Before every trip, check the condition of the vehicle and ensure that it is safe to operate. The vehicle must be in perfect technical condition when it is being operated.



- Check the engine oil level. (📖 p. 90)
- Check the brake fluid level of the front brake. (📖 p. 65)
- Check the rear brake fluid level. (📖 p. 69)
- Check the front brake linings. (📖 p. 66)
- Check the rear brake linings. (📖 p. 70)
- Check that the brake system is functioning properly.
- Check the coolant level. (📖 p. 82)
- Check for chain dirt accumulation. (📖 p. 56)
- Check the chain, rear sprocket, engine sprocket, and chain guide. (📖 p. 58)
- Check the chain tension. (📖 p. 57)
- Check the tire condition. (📖 p. 76)
- Check the tire air pressure. (📖 p. 76)
- Check the spoke tension. (📖 p. 76)

### **i** Info

The spoke tension must be checked regularly as incorrect spoke tension will strongly impair riding safety.

- Clean the dust boots of the fork legs. (📖 p. 40)
- Bleed the fork legs. (📖 p. 39)
- Check the air filter.
- Check the settings of all controls and ensure that they can be operated smoothly.
- Check all screws, nuts, and hose clamps regularly for tightness.
- Check the fuel level.

## 8.2 Starting

### **!** Danger

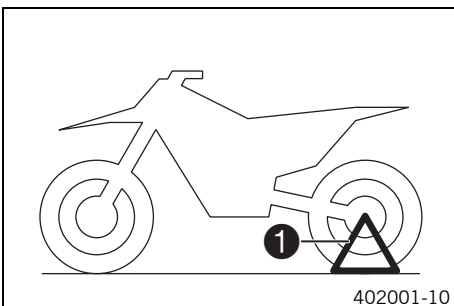
**Danger of poisoning** Exhaust gases are toxic and inhaling them may result in unconsciousness and death.

- Always make sure there is sufficient ventilation when running the engine.
- Use an effective exhaust extraction system when starting or running the engine in an enclosed space.

### Note

**Engine damage** High revving speed with a cold engine negatively impacts the lifespan of the engine.

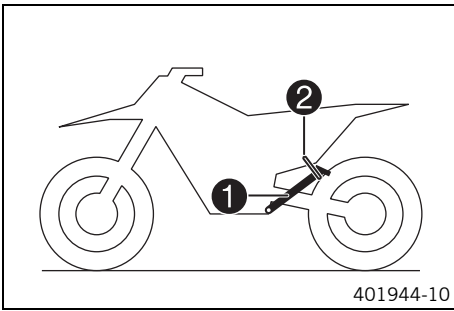
- Always run the engine warm at a low speed.



(All SX-F models)

- Remove plug-in stand ❶.





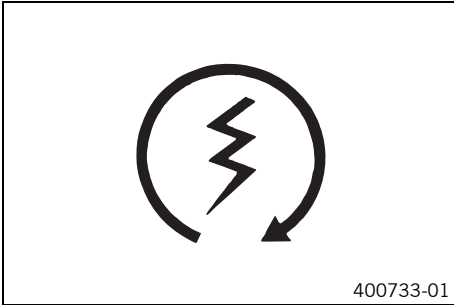
**(XC-F US)**

- Take the motorcycle off side stand ① and secure the side stand with rubber band ②.
- Shift the transmission to idle.

**Condition**

Ambient temperature: < 20 °C (< 68 °F)

- Push the cold start button in all the way.



- Press the electric starter button ③.

**i Info**

Press the electric starter button for a maximum of 5 seconds. Wait for 30 seconds before a further attempt at starting. At temperatures below 15 °C (60 °F), several attempts at starting may be necessary to warm-up the lithium-ion battery and thereby increase the starting power. During starting, the warning lamp lights up briefly as a function check.

## 8.3 Activating launch control

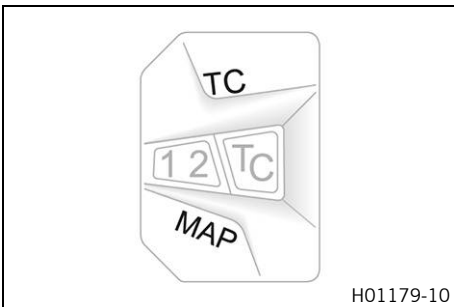
**i Info**

The launch control helps the rider to generate optimum motorcycle acceleration at the beginning of a race. The maximum speed of the engine with the throttle valve fully opened (full throttle) is reduced. After the start, it is gradually increased up to the maximum engine speed. The rider opens the throttle fully throughout this procedure. The clutch must be operated exactly as it would be without launch control activated.

**Condition**

The motorcycle is stationary.  
The engine is running at idle speed.  
The transmission is in neutral.

- Press and hold the **MAP** and **TC** buttons simultaneously.
- ✓ Malfunction indicator lamp flashes orange rapidly.



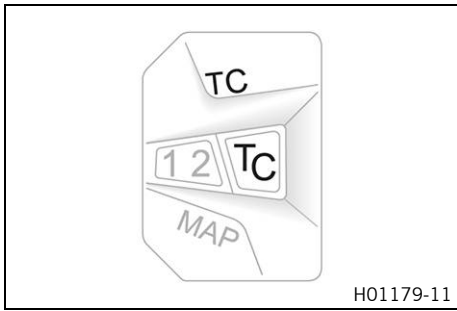
**i Info**

The launch control is deactivated automatically a few seconds after the vehicle has started. The launch control is also deactivated in the following cases (malfunction indicator lamp no longer flashes): if the throttle valve is closed more than 1/3 of the way after full throttle, and/or if there is no start within 3 minutes. For safety reasons, the engine must be switched off for at least 10 seconds before the launch control can be activated again, regardless of whether the vehicle has been started or not.

## 8.4 Activating traction control

**i Info**

The traction control reduces excessive slip on the rear wheel in favor of more control and propulsion, particularly in wet conditions. When traction control is switched off, the rear wheel may spin more during high acceleration and on surfaces with low grip. Traction control can be switched on or off during the ride. The setting most recently selected is activated again when restarting.



- Press button **TC** to switch the traction control on or off.

Guideline

Engine speed	≤ 4,000 rpm
--------------	-------------

- ✓ The **TC** LED lights up when the traction control is activated.

## 8.5 Starting off

- Pull the clutch lever, engage 1st gear, release the clutch lever slowly and simultaneously open the throttle carefully.

## 8.6 Shifting, riding

### Warning

**Danger of accidents** If you change down at high engine speed, the rear wheel blocks and the engine races.

- Do not change into a low gear at high engine speed.

### Info

If you hear unusual noises while riding, stop immediately, switch off the engine and contact an authorized KTM workshop. First gear is used for starting off and for steep inclines.

- Shift into a higher gear when conditions allow (incline, road situation, etc.). To do so, release the throttle while simultaneously pulling the clutch lever, shift into the next gear, release the clutch lever and open the throttle.
- If you pushed the cold start button while starting, open the throttle briefly and release the throttle grip or turn the throttle grip forward.
  - ✓ The cold start button goes to the basic position.
- After reaching maximum speed by fully opening the throttle grip, turn the throttle back so it is  $\frac{3}{4}$  open. This will barely reduce the speed but fuel consumption will be considerably lower.
- Always open the throttle only as much as the engine can handle – abrupt throttle opening increases fuel consumption.
- To shift down, apply the brakes and close the throttle at the same time.
- Pull the clutch lever and shift into a lower gear, release the clutch lever slowly, and either open the throttle or shift again.
- Switch off the engine if running at idle or standing for a long time.

Guideline

≥ 1 min
---------

- Avoid frequent and longer slipping of the clutch. As a result the engine oil, engine and cooling system heat up.
- Ride at a low engine speed instead of at a high engine speed with a slipping clutch.

## 8.7 Applying the brakes

### Warning

**Danger of accidents** Excessively forceful application of the brakes blocks the wheels.

- Adjust application of the brakes to the respective riding situation and riding surface conditions.

### Warning

**Danger of accidents** A spongy pressure point on the front or rear brake reduces braking efficiency.

- Check the brake system and do not continue riding until the problem is eliminated. (Your authorized KTM workshop will be glad to help.)

### Warning

**Danger of accidents** Moisture and dirt impair the brake system.

- Brake carefully several times to dry out and remove dirt from the brake linings and the brake discs.

- On sandy, wet or slippery surfaces, use the rear brake.

- Braking should always be completed before you go into a bend. Change down to a lower gear appropriate to your road speed.
- On long downhill stretches, use the braking effect of the engine. Change down one or two gears, but do not overstress the engine. In this way, you have to apply the brakes far less frequently and the brake system does not overheat.

## 8.8 Stopping, parking



### Warning

**Risk of misappropriation** People who act without authorization endanger themselves and others.

- Do not leave the vehicle unattended if the engine is running.
- Protect the vehicle against access by unauthorized persons.



### Warning

**Danger of burns** Some vehicle components become very hot when the vehicle is operated.

- Do not touch any parts such as the exhaust system, radiator, engine, shock absorber, or brake system before the vehicle parts have cooled down.
- Let the vehicle parts cool down before you perform any work on the vehicle.

### Note

**Material damage** The vehicle may be damaged by incorrect procedure when parking.

Significant damage may be caused if the vehicle rolls away or falls over.

The components for parking the vehicle are designed only for the weight of the vehicle.

- Park the vehicle on a firm and level surface.
- Ensure that nobody sits on the vehicle when the vehicle is parked on a stand.

### Note

**Fire hazard** Hot vehicle components pose a fire hazard and explosion risk.

- Do not park the vehicle near to materials which are highly flammable or explosive.
- Allow the vehicle to cool down before covering it.

- Apply the brakes on the motorcycle.
- Shift the transmission to idle.
- Press and hold the kill switch  $\otimes$  while the engine is idling until the engine stops.
- Park the motorcycle on firm ground.

## 8.9 Transport

### Note

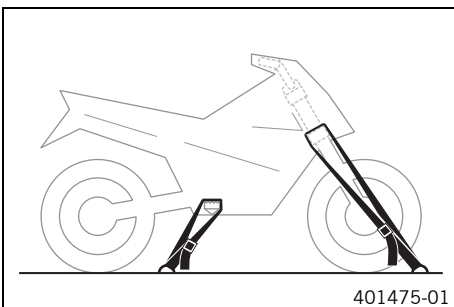
**Danger of damage** The parked vehicle can roll away or fall over.

- Park the vehicle on a firm and level surface.

### Note

**Fire hazard** Hot vehicle components pose a fire hazard and explosion risk.

- Do not park the vehicle near to materials which are highly flammable or explosive.
- Allow the vehicle to cool down before covering it.



- Switch off the engine.
- Use tension belts or other suitable devices to secure the motorcycle against accidents or falling over.

## 8.10 Refueling



### Danger

**Fire hazard** Fuel is highly flammable.

The fuel in the fuel tank expands when warm and can escape if overfilled.

- Do not refuel the vehicle in the vicinity of open flames or lit cigarettes.
- Switch off the engine for refueling.
- Make sure that no fuel is spilled; particularly not on hot parts of the vehicle.
- If any fuel is spilled, wipe it off immediately.
- Observe the specifications for refueling.



### Warning

**Danger of poisoning** Fuel is poisonous and a health hazard.

- Avoid skin, eye and clothing contact with fuel.
- Immediately consult a doctor if you swallow fuel.
- Do not inhale fuel vapors.
- In case of skin contact, rinse the affected area with plenty of water.
- Rinse the eyes thoroughly with water, and consult a doctor in case of fuel contact with the eyes.
- Change your clothing in case of fuel spills on them.

### Note

**Material damage** Inadequate fuel quality causes the fuel filter to quickly become clogged.

In some countries and regions, the available fuel quality and cleanliness may not be sufficient. This will result in problems with the fuel system.

- Refuel only with clean fuel that meets the specified standards. (Your authorized KTM workshop will be glad to help.)



### Warning

**Environmental hazard** Improper handling of fuel is a danger to the environment.

- Do not allow fuel to enter the groundwater, the soil, or the sewage system.



- Switch off the engine.
- Open the filler cap. (📖 p. 13)
- Fill the fuel tank with fuel up to measurement **A**.

Guideline

Measurement of <b>A</b>	35 mm (1.38 in)	
Total fuel tank capacity, approx. (All SX-F models)	7 l (1.8 US gal)	Super unleaded (ROZ 95/RON 95/PON 91) (📖 p. 108)
Total fuel tank capacity, approx. (XC-F US)	8.5 l (2.25 US gal)	Super unleaded (ROZ 95/RON 95/PON 91) (📖 p. 108)

- Close the filler cap. (📖 p. 14)

## 9.1 Additional information

Any further work that results from the required work or from the recommended work must be ordered separately and can be invoiced separately.  
 Different service intervals may apply in your country, depending on the local operating conditions.

## 9.2 Required work

	Every 40 operating hours	Every 30 operating hours	Every 20 operating hours	Every 10 operating hours/after every race	Once after 1 operating hour
Read out the fault memory using the KTM diagnostics tool.	○	●	●	●	●
Check and charge the battery.		●	●	●	●
Check the front brake linings. (📖 p. 66)		●	●	●	●
Check the rear brake linings. (📖 p. 70)		●	●	●	●
Check the brake discs. (📖 p. 64)		●	●	●	●
Check the brake lines for damage and leakage.		●	●	●	●
Check the rear brake fluid level. (📖 p. 69)		●	●	●	●
Check the free travel of the foot brake lever. (📖 p. 68)		●	●	●	●
Check the frame.  (📖 p. 60)		●	●	●	●
Check the swingarm.  (📖 p. 60)		●	●	●	●
Check the swingarm bearing for play.			●		●
Check the heim joint for play.		●	●	●	●
Check the shock absorber linkage.		●	●	●	●
Check the tire condition. (📖 p. 76)	○	●	●	●	●
Check the tire air pressure. (📖 p. 76)	○	●	●	●	●
Check the wheel bearing for play.		●	●	●	●
Check the wheel hubs.		●	●	●	●
Check the rim run-out.	○	●	●	●	●
Check the spoke tension. (📖 p. 76)	○	●	●	●	●
Check the chain, rear sprocket, engine sprocket, and chain guide. (📖 p. 58)		●	●	●	●
Check the chain tension. (📖 p. 57)	○	●	●	●	●
Grease all moving parts (e.g., hand lever, chain, ...) and check for smooth operation.		●	●	●	●
Check/correct the fluid level of the hydraulic clutch. (📖 p. 62)		●	●	●	●
Check the brake fluid level of the front brake. (📖 p. 65)		●	●	●	●
Check the free travel of the hand brake lever. (📖 p. 64)		●	●	●	●
Check the steering head bearing play. (📖 p. 44)	○	●	●	●	●
Check the valve clearance.	○			●	
Check the clutch.		●	●	●	●
Change the engine oil and oil filter and clean the oil screens.  (📖 p. 91)	○	●	●	●	●
Check all hoses (e.g. fuel, cooling, bleeder, drainage, etc.) and sleeves for cracking, leaks, and incorrect routing.	○	●	●	●	●
Check the antifreeze and coolant level. (📖 p. 81)	○	●	●	●	●
Check the cables for damage and routing without sharp bends.		●	●	●	●
Check that the throttle cables are undamaged, routed without sharp bends, and set correctly.	○	●	●	●	●
Clean the air filter and air filter box.  (📖 p. 51)		●	●	●	●
Change the glass fiber yarn filling of the main silencer.  (📖 p. 53)			●		●
Service the fork.					●
Service the shock absorber.					●
Check the screws and nuts for tightness.	○	●	●	●	●
Change the fuel screen.  (📖 p. 89)	○	●	●	●	●

	Every 40 operating hours	Every 30 operating hours	Every 20 operating hours	Every 10 operating hours/after every race	Once after 1 operating hour
Check the fuel pressure. 🛠️	•	•	•	•	•
Check idle. 🛠️	○	•	•	•	•
Final check: Check the vehicle for safe operation and take a test ride. 🛠️	○	•	•	•	•
Read out the fault memory using the KTM diagnostics tool after a test ride. 🛠️	○	•	•	•	•
Make the service entry in the <b>KTM Dealer.net</b> and in the Service and Warranty Booklet. 🛠️	○	•	•	•	•

- One-time interval
- Periodic interval

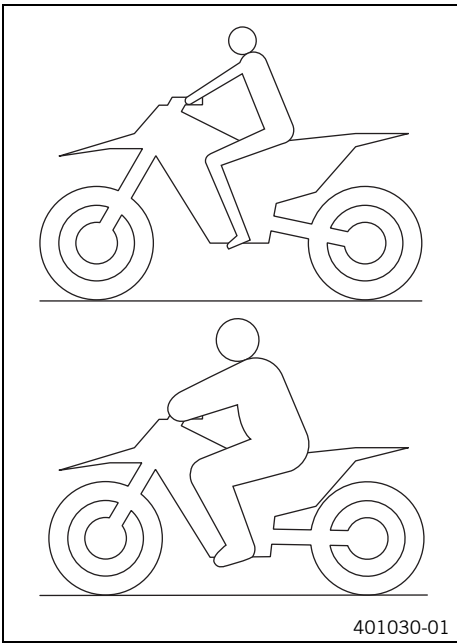
## 9.3 Recommended work

	Annually	Every 100 operating hours	Every 50 operating hours	Once after 20 operating hours	Once after 10 operating hours
Change the front brake fluid. 🛠️	•				
Change the rear brake fluid. 🛠️	•				
Change the hydraulic clutch fluid. 🛠️ (📖 p. 62)	•				
Grease the steering head bearing. 🛠️ (📖 p. 45)	•				
Service the fork. 🛠️		○			
Service the shock absorber. 🛠️			○		
Change the fuel filter. 🛠️					•
Perform minor engine service, engine has been installed. (Change spark plug and spark plug connector. Change piston, check and measure cylinder; check cylinder head. Check the camshaft, rocker arm and rocker arm shafts. Check timing assembly.) 🛠️			•	•	
Perform major engine service including removing and installing engine. (Change valves, valve springs, valve spring seats and valve spring retainers. Change the connecting rod, conrod bearing, and crank pin. Check the transmission and shift mechanism. Check the oil pressure regulator valve. Change the suction pump. Check the force pump and lubrication system. Change timing chain. Change all engine bearings. Change the shaft seal rings and bearing seals of the main bearing.) 🛠️					•

- One-time interval
- Periodic interval

## 10.1 Checking the basic chassis setting with the rider's weight

**i Info** When adjusting the basic chassis setting, first adjust the shock absorber and then the fork.



- For optimal motorcycle riding characteristics and to avoid damage to forks, shock absorbers, swingarm and frame, the basic settings of the suspension components must match the rider's weight.
- As delivered, KTM offroad motorcycles are adjusted for an average rider's weight (with full protective clothing).

Guideline

Standard rider weight	75... 85 kg (165... 187 lb.)
-----------------------	------------------------------

- If the rider's weight is above or below this range, the basic setting of the suspension components must be adjusted accordingly.
- Small weight differences can be compensated by adjusting the spring preload, but in the case of large weight differences, the springs must be replaced.

## 10.2 Air suspension AER 48



Air suspension **WP Performance Systems AER 48** is used in the fork. In this system, suspension is located in the left fork leg and damping in the right fork leg. As fork springs are no longer required, a significant weight advantage is achieved when compared to conventional forks. The response on slightly uneven surfaces is significantly improved. In normal driving mode, suspension is provided exclusively by an air cushion. A steel spring is located in the left fork leg as an end stop.

**i Info** If the fork is frequently overloaded, then the air pressure in the fork must be increased to avoid damage to the fork and frame.

The air pressure in the fork can be quickly adjusted for the rider's weight, surface conditions and the rider's preference using a fork pump. The fork does not have to be detached. The time consuming mounting of harder or softer fork springs is not required. If the air chamber loses air due to a damaged seal, the fork will still not sag. In this case the air is retained in the fork. The suspension travel is maintained as far as possible. The damping becomes harder and the riding comfort reduces. As with a conventional fork, the damping can be adjusted in rebound and compression stages. The rebound adjuster is located at the lower end of the right fork leg. The compression adjuster is located at the upper end of the right fork leg.

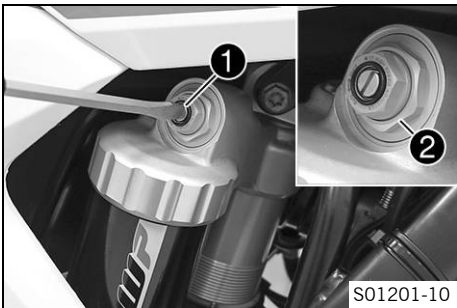
## 10.3 Compression damping of the shock absorber

The compression damping of the shock absorber is divided into two ranges: high-speed and low-speed. High-speed and low-speed refer to the compression speed of the rear wheel suspension and not to the vehicle speed. The high-speed setting, for example, has an effect on the landing after a jump: the rear wheel suspension compresses quickly. The low-speed setting, for example, has an effect when riding over long ground swells: the rear wheel suspension compresses slowly. These two ranges can be adjusted separately, although the transition between high-speed and low-speed is gradual. Thus, changes in the high-speed range affect the compression damping in the low-speed range and vice versa.

## 10.4 Adjusting the low-speed compression damping of the shock absorber

**Caution**  
**Risk of injury** Parts of the shock absorber will fly off if the shock absorber is disassembled incorrectly. The shock absorber is filled with highly compressed nitrogen.  
 – Please follow the description provided. (Your authorized KTM workshop will be glad to help.)

**Info**  
 The effect of the low-speed setting can be seen in slow to normal compression of the shock absorber.



– Turn adjusting screw ① clockwise with a screwdriver up to the last perceptible click.

**Info**  
 Do not loosen fitting ②!

– Turn counterclockwise by the number of clicks corresponding to the shock absorber type.

Guideline

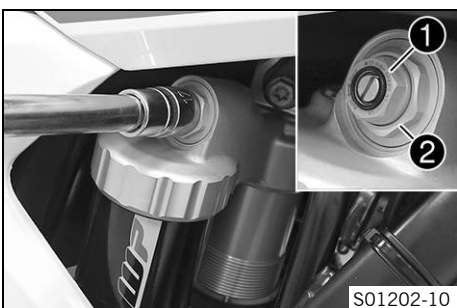
Compression damping, low-speed (SX-F EU)	
Comfort	17 clicks
Standard	15 clicks
Sport	13 clicks
Compression damping, low-speed (SX-F US)	
Comfort	17 clicks
Standard	15 clicks
Sport	13 clicks
Compression damping, low-speed (XC-F US)	
Comfort	17 clicks
Standard	15 clicks
Sport	13 clicks

**Info**  
 Turn clockwise to increase damping; turn counterclockwise to reduce damping.

## 10.5 Adjusting the high-speed compression damping of the shock absorber

**Caution**  
**Risk of injury** Parts of the shock absorber will fly off if the shock absorber is disassembled incorrectly. The shock absorber is filled with highly compressed nitrogen.  
 – Please follow the description provided. (Your authorized KTM workshop will be glad to help.)

**Info**  
 The effect of the high-speed setting can be seen in fast compression of the shock absorber.



– Turn adjusting screw ① all the way clockwise with a socket wrench.

**Info**  
 Do not loosen fitting ②!

– Turn counterclockwise by the number of turns corresponding to the shock absorber type.



Guideline

Compression damping, high-speed (SX-F EU)	
Comfort	2 turns
Standard	1.5 turns
Sport	1 turn
Compression damping, high-speed (SX-F US)	
Comfort	2.5 turns
Standard	2 turns
Sport	1.5 turns
Compression damping, high-speed (XC-F US)	
Comfort	2.5 turns
Standard	2 turns
Sport	1.5 turns

**i Info**  
Turn clockwise to increase damping; turn counterclockwise to reduce damping.

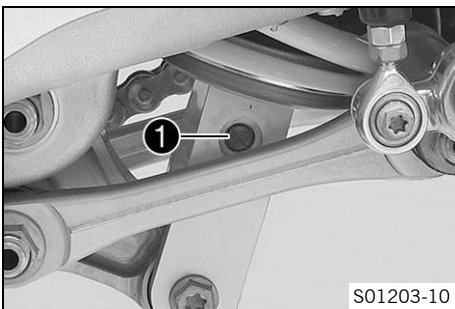
## 10.6 Adjusting the rebound damping of the shock absorber



**Caution**

**Risk of injury** Parts of the shock absorber will fly off if the shock absorber is disassembled incorrectly. The shock absorber is filled with highly compressed nitrogen.

- Please follow the description provided. (Your authorized KTM workshop will be glad to help.)



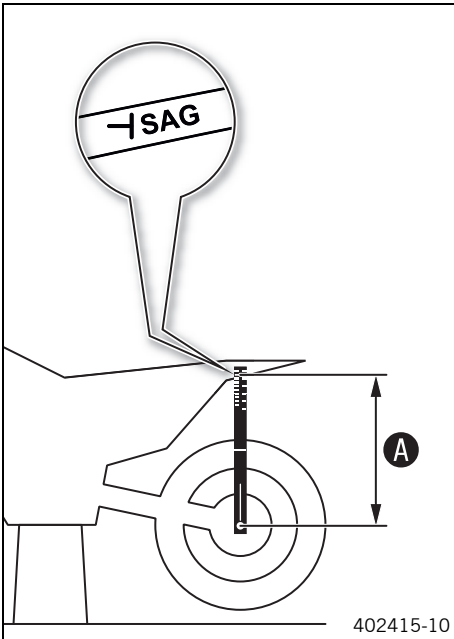
- Turn adjusting screw **1** clockwise up to the last perceptible click.
- Turn counterclockwise by the number of clicks corresponding to the shock absorber type.

Guideline

Rebound damping (SX-F EU)	
Comfort	17 clicks
Standard	15 clicks
Sport	13 clicks
Rebound damping (SX-F US)	
Comfort	17 clicks
Standard	15 clicks
Sport	13 clicks
Rebound damping (XC-F US)	
Comfort	17 clicks
Standard	15 clicks
Sport	13 clicks

**i Info**  
Turn clockwise to increase damping; turn counterclockwise to reduce damping.

## 10.7 Measuring rear wheel sag unloaded



### Preparatory work

- Raise the motorcycle with a lift stand. (📖 p. 39)

### Main work

- Position the sag gauge in the rear axle and measure the distance to marking **SAG** on the rear fender.

Sag gauge (00029090000)
-------------------------

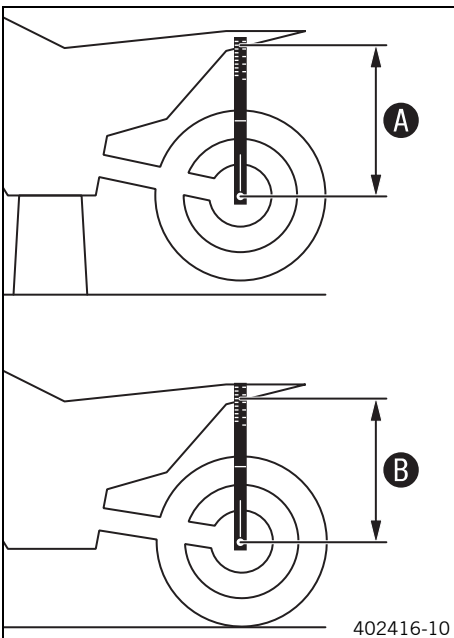
Pin for sag gauge (00029990010)
---------------------------------

- Note down the value as dimension **A**.

### Finishing work

- Remove the motorcycle from the lift stand. (📖 p. 39)

## 10.8 Checking the static sag of the shock absorber



- Measure distance **A** of rear wheel unloaded. (📖 p. 32)
- Hold the motorcycle upright with the aid of an assistant.
- Again measure the distance between the rear axle and marking **SAG** on the rear fender using the sag gauge.
- Note down the value as dimension **B**.



### Info

The static sag is the difference between measurements **A** and **B**.

- Check the static sag.

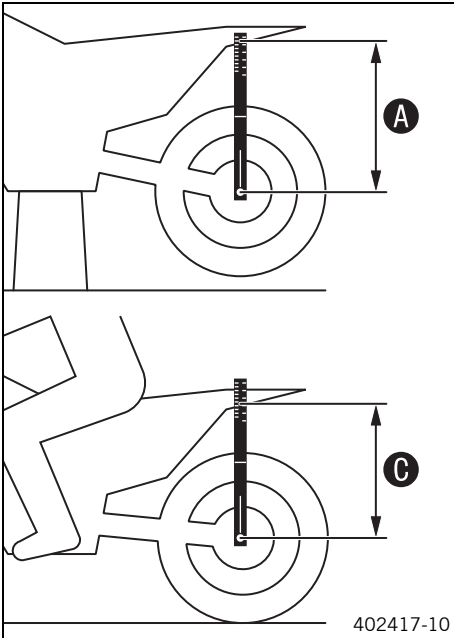
Static sag (SX-F EU)	35 mm (1.38 in)
----------------------	-----------------

Static sag (SX-F US)	35 mm (1.38 in)
----------------------	-----------------

Static sag (XC-F US)	35 mm (1.38 in)
----------------------	-----------------

- » If the static sag is less or more than the specified value:
  - Adjust the spring pretension of the shock absorber. (📖 p. 33)

## 10.9 Checking the riding sag of the shock absorber



- Measure distance **A** of rear wheel unloaded. (📖 p. 32)
- With another person holding the motorcycle, the rider, wearing full protective clothing, sits on the seat in a normal sitting position (feet on footrests) and bounces up and down a few times.
  - ✓ The rear wheel suspension levels out.
- Another person again measures the distance between the rear axle and marking **SAG** on the rear fender using the sag gauge.
- Note down the value as dimension **C**.

**i Info**

The riding sag is the difference between measurements **A** and **C**.

- Check the riding sag.

Riding sag (SX-F EU)	105 mm (4.13 in)
Riding sag (SX-F US)	105 mm (4.13 in)
Riding sag (XC-F US)	105 mm (4.13 in)

- » If the riding sag differs from the specified measurement:
  - Adjust the riding sag. 🛠️ (📖 p. 34)

## 10.10 Adjusting the spring pretension of the shock absorber 🛠️

**⚠ Caution**

**Risk of injury** Parts of the shock absorber will fly off if the shock absorber is disassembled incorrectly. The shock absorber is filled with highly compressed nitrogen.

- Please follow the description provided. (Your authorized KTM workshop will be glad to help.)

**i Info**

Before changing the spring pretension, make a note of the present setting, e.g., by measuring the length of the spring.

**Preparatory work**

- Raise the motorcycle with a lift stand. (📖 p. 39)
- Remove the shock absorber. 🛠️ (📖 p. 46)
- After removing the shock absorber, clean it thoroughly.

**Main work**

- Loosen screw **1**.
- Turn adjusting ring **2** until the spring is no longer under tension.

Hook wrench (90129051000)
---------------------------

- Measure the overall spring length while the spring is not under tension.
- Tighten the spring by turning adjusting ring **2** to measurement **A**.

**Guideline**

Spring preload (SX-F EU)	10 mm (0.39 in)
Spring preload (SX-F US)	6 mm (0.24 in)
Spring preload (XC-F US)	10 mm (0.39 in)

**i Info**

Depending on the static sag and/or the riding sag, it may be necessary to increase or decrease the spring pretension.

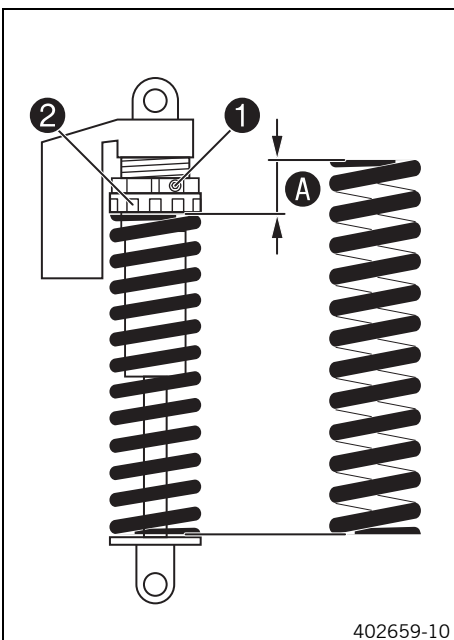
- Tighten screw **1**.

**Guideline**

Screw, shock absorber adjusting ring	M5	5 Nm (3.7 lbf ft)
--------------------------------------	----	-------------------

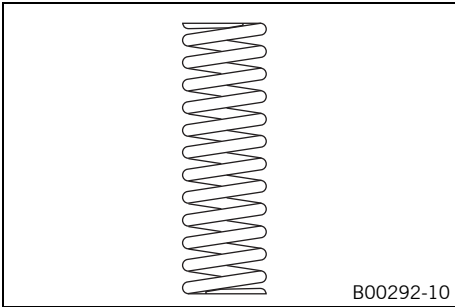
**Finishing work**

- Install the shock absorber. 🛠️ (📖 p. 47)



- Check the free travel of the foot brake lever. (🔧 p. 68)
- Remove the motorcycle from the lift stand. (🔧 p. 39)

## 10.11 Adjusting the riding sag 🛠️



### Preparatory work

- Raise the motorcycle with a lift stand. (🔧 p. 39)
- Remove the shock absorber. 🛠️ (🔧 p. 46)
- After removing the shock absorber, clean it thoroughly.

### Main work

- Choose and mount a suitable spring.

#### Guideline

Spring rate (SX-F EU)	
Weight of rider: 65... 75 kg (143... 165 lb.)	42 N/mm (240 lb/in)
Weight of rider: 75... 85 kg (165... 187 lb.)	45 N/mm (257 lb/in)
Weight of rider: 85... 95 kg (187... 209 lb.)	48 N/mm (274 lb/in)
Spring rate (SX-F US)	
Weight of rider: 65... 75 kg (143... 165 lb.)	42 N/mm (240 lb/in)
Weight of rider: 75... 85 kg (165... 187 lb.)	45 N/mm (257 lb/in)
Weight of rider: 85... 95 kg (187... 209 lb.)	48 N/mm (274 lb/in)
Spring rate (XC-F US)	
Weight of rider: 65... 75 kg (143... 165 lb.)	39 N/mm (223 lb/in)
Weight of rider: 75... 85 kg (165... 187 lb.)	45 N/mm (257 lb/in)
Weight of rider: 85... 95 kg (187... 209 lb.)	48 N/mm (274 lb/in)



### Info

The spring rate is shown on the outside of the spring.

### Finishing work

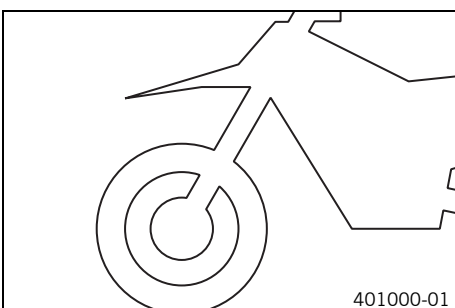
- Install the shock absorber. 🛠️ (🔧 p. 47)
- Check the free travel of the foot brake lever. (🔧 p. 68)
- Check the static sag of the shock absorber. (🔧 p. 32)
- Check the riding sag of the shock absorber. (🔧 p. 33)
- Adjust the rebound damping of the shock absorber. (🔧 p. 31)
- Remove the motorcycle from the lift stand. (🔧 p. 39)

## 10.12 Checking the basic setting of the fork



### Info

For various reasons, no exact riding sag can be determined for the fork.



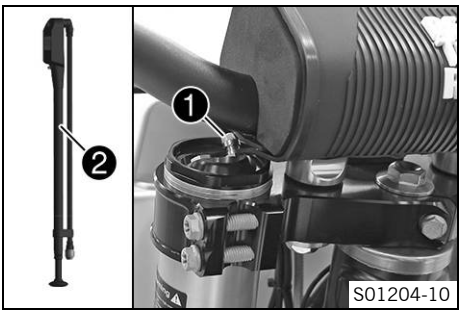
- Smaller differences in the rider's weight can be compensated for by the fork air pressure.
- However, if the fork frequently bottoms out (hard end stop on compression), the fork air pressure must be increased, within the specified values, to avoid damage to the fork and frame.
- If the fork feels unusually hard after extended periods of operation, the fork legs need to be bled.

## 10.13 Adjusting the fork air pressure

**Warning**  
**Danger of accident** Modifications to the suspension setting may seriously alter the handling characteristic. Extreme modifications to the suspension setting may cause a serious deterioration in the handling characteristic and overload components.

- Only make adjustments within the recommended range.
- Ride slowly to start with after making adjustments to get the feel of the new handling characteristic.

**Info**  
 Check or adjust the air pressure under the same conditions at the earliest 5 minutes after switching off the engine. The air suspension is located in the left fork leg. The pressure and rebound damping is located in the right fork leg.



**Preparatory work**  
 - Raise the motorcycle with a lift stand. (📖 p. 39)

**Main work**  
 - Remove protection cap ①.  
 - Push fork pump ② together fully.

Fork pump (79412966000)

**Info**  
 The fork pump is included as part of the motorcycle's separate enclosure.

- Connect the fork pump to the left fork leg.
  - ✓ The fork pump indicator switches on automatically.
  - ✓ A little air escapes from the fork leg when connecting.

**Info**  
 This is due to the volume of the hose and not due to a defect in the fork pump or the fork.  
 Read the accompanying **KTM PowerParts** instructions.

- Adjust the air pressure as specified.

Guideline

Air pressure (SX-F EU)	10.8 bar (157 psi)
Air pressure (SX-F US)	10.8 bar (157 psi)
Air pressure (XC-F US)	9.8 bar (142 psi)
Gradual changing of the air pressure in steps of	0.2 bar (3 psi)
Minimum air pressure	7 bar (102 psi)
Maximum air pressure	15 bar (218 psi)

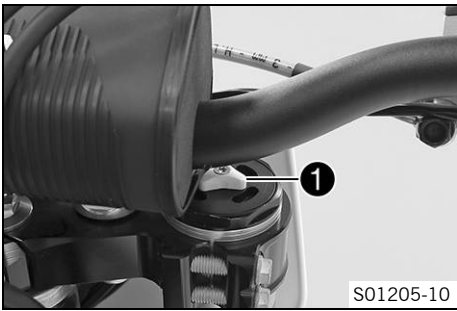
**Info**  
 Never set the air pressure to a value outside the stated range.

- Disconnect the fork pump from the left fork leg.
  - ✓ When disconnecting, excess pressure will escape from the hose – the fork leg itself does not lose any air.
  - ✓ The fork pump indicator switches off automatically after 80 seconds.
- Mount the protection cap.

**Finishing work**  
 - Remove the motorcycle from the lift stand. (📖 p. 39)

## 10.14 Adjusting the compression damping of the fork

**i Info**  
The hydraulic compression damping determines the fork suspension behavior.



- Turn adjusting screw 1 clockwise all the way.

**i Info**  
Adjusting screw 1 is located at the upper end of the right fork leg.

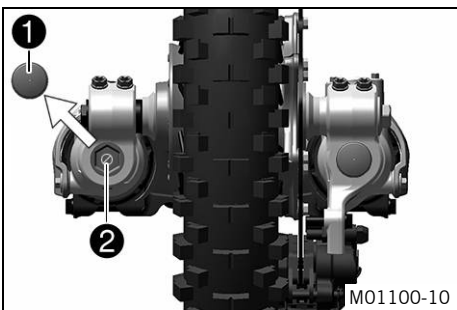
- Turn counterclockwise by the number of clicks corresponding to the fork type.  
Guideline

Compression damping (SX-F EU)	
Comfort	17 clicks
Standard	12 clicks
Sport	7 clicks
Compression damping (SX-F US)	
Comfort	17 clicks
Standard	12 clicks
Sport	7 clicks
Compression damping (XC-F US)	
Comfort	17 clicks
Standard	12 clicks
Sport	7 clicks

**i Info**  
Turn clockwise to increase damping; turn counterclockwise to reduce damping.

## 10.15 Adjusting the rebound damping of the fork

**i Info**  
The hydraulic rebound damping determines the fork suspension behavior.



- Remove protection cap 1.
- Turn adjusting screw 2 clockwise all the way.

**i Info**  
Adjusting screw 2 is located at the lower end of the right fork leg.

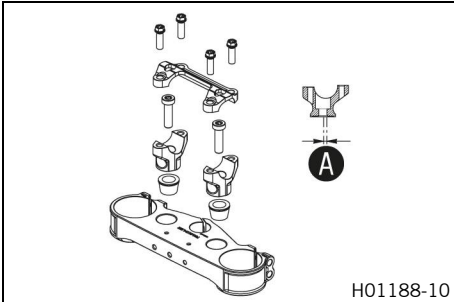
- Turn counterclockwise by the number of clicks corresponding to the fork type.  
Guideline

Rebound damping (SX-F EU)	
Comfort	17 clicks
Standard	12 clicks
Sport	7 clicks
Rebound damping (SX-F US)	
Comfort	17 clicks
Standard	12 clicks
Sport	7 clicks
Rebound damping (XC-F US)	
Comfort	17 clicks
Standard	12 clicks
Sport	7 clicks

**i Info**  
Turn clockwise to increase damping; turn counterclockwise to reduce damping.

- Mount protection cap ①.

## 10.16 Handlebar position



The holes on the handlebar supports are placed at a distance of **A** from the center.

Hole distance A	3.5 mm (0.138 in)
-----------------	-------------------

The handlebar can be mounted in 2 different positions. In this way, the handlebar can be mounted in the most comfortable position for the rider.

## 10.17 Adjusting the handlebar position ↩

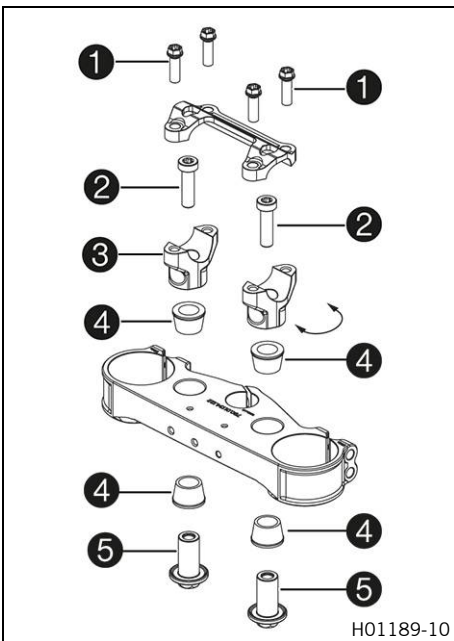


### Warning

**Danger of accidents** A repaired handlebar poses a safety risk.

If the handlebar is bent or straightened, the material becomes fatigued. The handlebar may break as a result.

- Change the handlebar if the handlebar is damaged or bent.



### Preparatory work

- Remove the handlebar cushion.

### Main work

- Remove screws ①. Take off the handlebar clamp. Remove the handlebar and lay it to one side.

**i Info**  
Cover the components to protect them against damage. Do not kink the cables and lines.

- Remove screws ②. Take off handlebar supports ③.
- Position rubber bushings ④ and push through nuts ⑤ from below.
- Place the handlebar supports in the required position.

**i Info**  
The handlebar supports are longer and higher on one side. Position the left and right handlebar supports evenly.

- Mount and tighten screws ②.

### Guideline

Screw, handlebar support	M10	40 Nm (29.5 lbf ft)	Loctite® 243™
--------------------------	-----	------------------------	---------------

- Position the handlebar.

**i Info**  
Make sure the cables and wiring are positioned correctly.

- Position the handlebar clamp.
- Mount screws ① but do not tighten yet.
- First bolt the handlebar clamp with screws ① onto the longer, higher side of the handlebar supports so that both parts touch.
- Tighten screws ① evenly.

### Guideline

Screw, handlebar clamp	M8	20 Nm (14.8 lbf ft)
------------------------	----	------------------------

## **Finishing work**

- Mount the handlebar cushion.

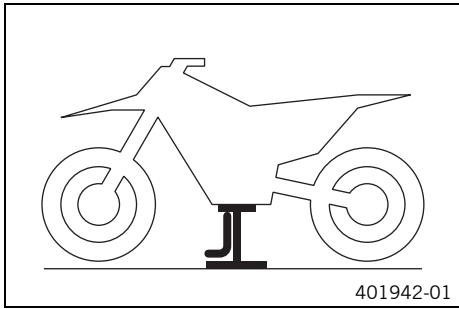


## 11.1 Raising the motorcycle with a lift stand

**Note**

**Danger of damage** The parked vehicle can roll away or fall over.

- Park the vehicle on a firm and level surface.



- Raise the motorcycle at the frame underneath the engine.

Lift stand (78129955100)

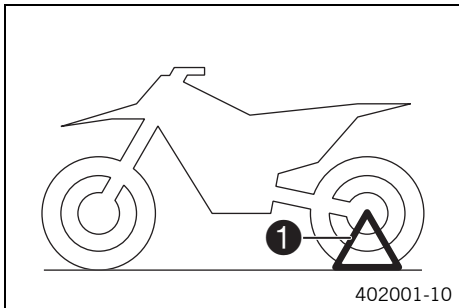
- ✓ Neither wheel is in contact with the ground.
- Secure the motorcycle against falling over.

## 11.2 Removing the motorcycle from the lift stand

**Note**

**Danger of damage** The parked vehicle can roll away or fall over.

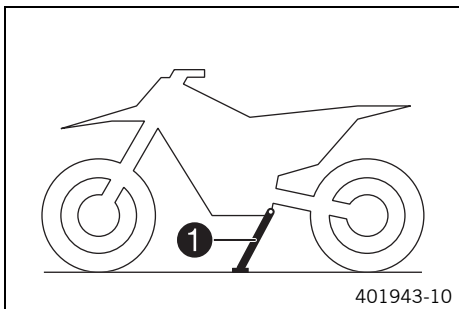
- Park the vehicle on a firm and level surface.



**(All SX-F models)**

- Remove the motorcycle from the lift stand.
- Remove the lift stand.
- To park the motorcycle, insert plug-in stand 1 into the left side of the wheel spindle.

**i Info** Remove the plug-in stand before riding.

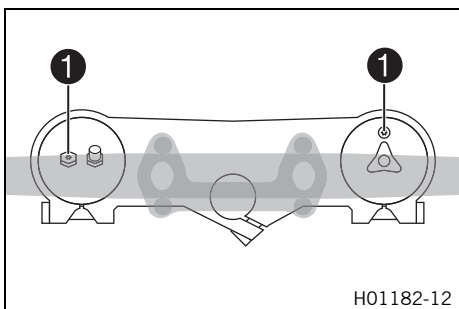


**(XC-F US)**

- Remove the motorcycle from the lift stand.
- Remove the lift stand.
- To park the motorcycle, press side stand 1 to the ground with your foot and lean the motorcycle on it.

**i Info** When you are riding, the side stand must be folded up and secured with the rubber band.

## 11.3 Bleeding the fork legs



**Preparatory work**

- Raise the motorcycle with a lift stand. (🗨️ p. 39)

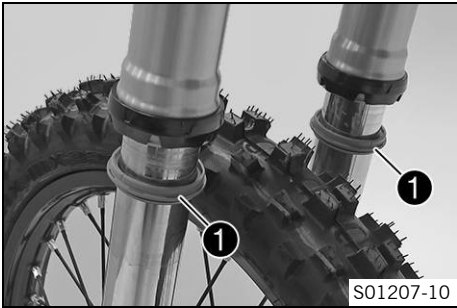
**Main work**

- Release bleeder screws 1.
- ✓ Any excess pressure escapes from the interior of the fork.
- Tighten the bleeder screws.

**Finishing work**

- Remove the motorcycle from the lift stand. (🗨️ p. 39)

## 11.4 Cleaning the dust boots of the fork legs



### Preparatory work

- Raise the motorcycle with a lift stand. (📖 p. 39)
- Remove the fork protector. (📖 p. 40)

### Main work

- Push dust boots ❶ of both fork legs downward.



### Info

The dust boots remove dust and coarse dirt particles from the inside fork tubes. Over time, dirt can accumulate behind the dust boots. If this dirt is not removed, the oil seals behind can start to leak.



### Warning

**Danger of accidents** Oil or grease on the brake discs reduces the braking effect.

- Always keep the brake discs free of oil and grease.
- Clean the brake discs with brake cleaner when necessary.

- Clean and oil the dust boots and inner fork tubes of both fork legs.

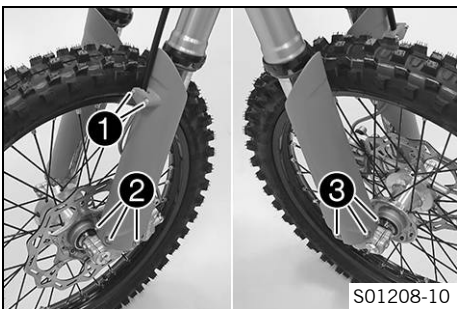
Universal oil spray (📖 p. 110)

- Press the dust boots back into their installation position.
- Remove excess oil.

### Finishing work

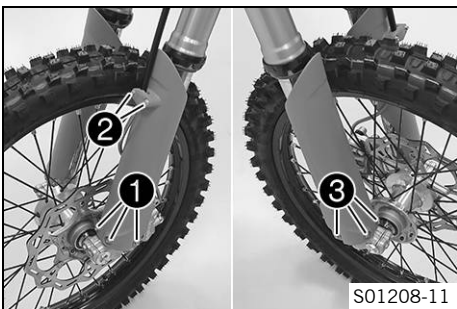
- Install the fork protector. (📖 p. 40)
- Remove the motorcycle from the lift stand. (📖 p. 39)

## 11.5 Removing the fork protector



- Remove screws ❶ and take off the clamp.
- Remove screws ❷ and take off the left fork protector.
- Remove screws ❸ and take off the right fork protector.

## 11.6 Installing the fork protector



- Position the fork protection on the left fork leg. Mount and tighten screws ❶.

### Guideline

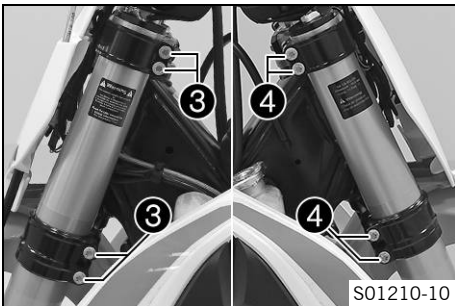
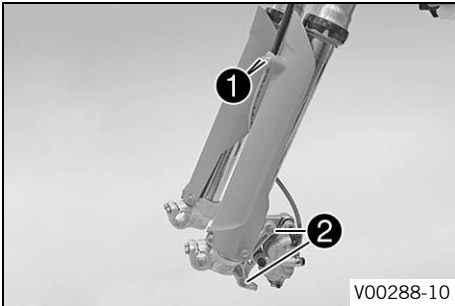
Remaining screws, chassis	M6	10 Nm (7.4 lbf ft)
---------------------------	----	--------------------

- Position the brake line and clamp. Mount and tighten screws ❷.
- Position the fork protector on the right fork leg. Mount and tighten screws ❸.

### Guideline

Remaining screws, chassis	M6	10 Nm (7.4 lbf ft)
---------------------------	----	--------------------

## 11.7 Removing the fork legs



### Preparatory work

- Raise the motorcycle with a lift stand. (📖 p. 39)
- Remove the front wheel. (🔧 p. 73)

### Main work

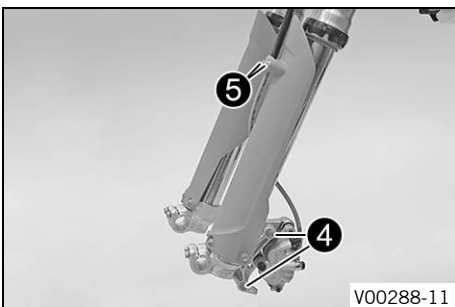
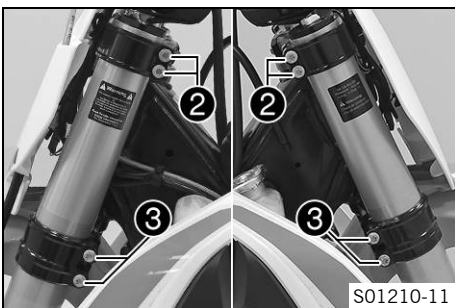
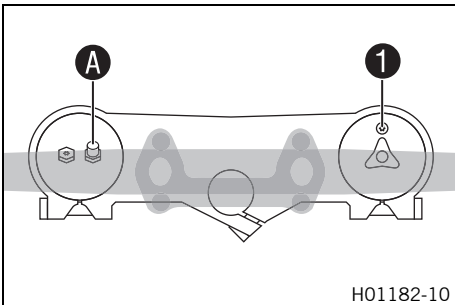
- Remove screws ① and take off the clamp.
- Remove screws ② and take off the brake caliper.
- Allow the brake caliper and brake line to hang tension-free to the side.

### Info

Do not pull the hand brake lever if the front wheel has been removed.

- Loosen screws ③. Take out the left fork leg.
- Unscrew screws ④. Take out the right fork leg.

## 11.8 Installing the fork legs



### Main work

- Position the fork legs.
- ✓ Bleeder screw ① of the right fork leg is positioned to the front.
- ✓ Valve A of the left fork leg faces the front.

### Info

Grooves are milled into the side of the upper end of the fork legs. The second milled groove (from the top) must be flush with the top edge of the upper triple clamp. The air suspension is located in the left fork leg. The pressure and rebound damping is located in the right fork leg.

- Tighten screws ②.

### Guideline

Screw, top triple clamp	M8	17 Nm (12.5 lbf ft)
-------------------------	----	------------------------

- Tighten screws ③.

### Guideline

Screw, bottom triple clamp	M8	12 Nm (8.9 lbf ft)
----------------------------	----	--------------------

- Position the brake caliper. Mount and tighten screws ④.

### Guideline

Screw, front brake caliper	M8	25 Nm (18.4 lbf ft)	Loctite® 243™
----------------------------	----	------------------------	---------------

- Position the brake line and clamp. Mount and tighten screws ⑤.

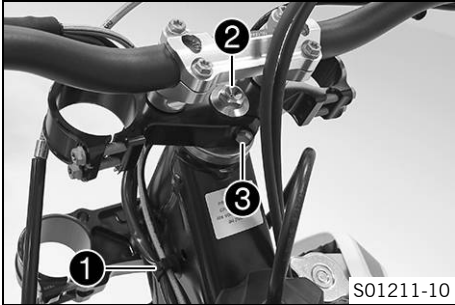
### Finishing work

- Install the front wheel. (🔧 p. 73)

## 11.9 Removing the lower triple clamp

### Preparatory work

- Raise the motorcycle with a lift stand. (p. 39)
- Remove the front wheel. (p. 73)
- Remove the fork legs. (p. 41)
- Remove the start number plate. (p. 45)
- Remove the front fender. (p. 46)
- Remove the handlebar cushion.

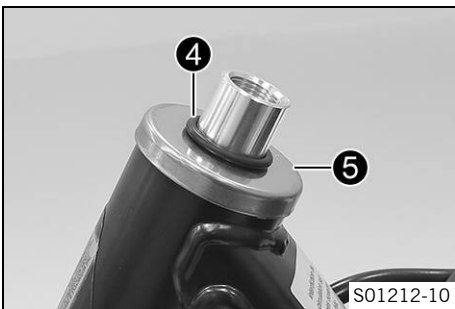


### Main work

- Remove the indicator lamp bracket.
- Open cable holder ① on the left and detach the wiring harness.
- Remove screw ②.
- Remove screw ③.
- Remove the upper triple clamp with the handlebar and set aside.

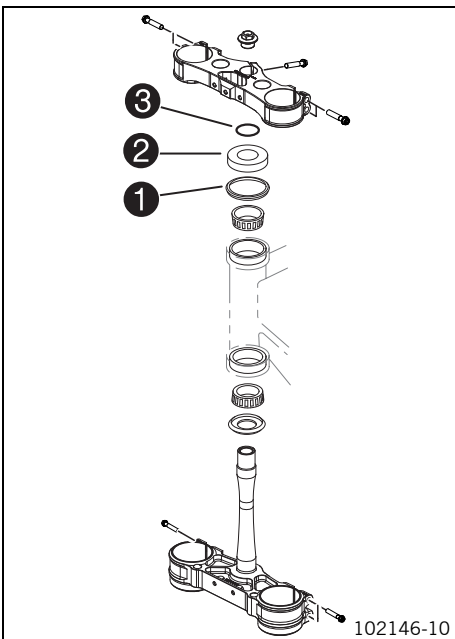
### Info

Cover the components to protect them against damage. Do not kink the cables and lines.



- Remove O-ring ④. Remove protective ring ⑤.
- Take out the lower triple clamp with the steering stem.
- Remove the upper steering head bearing.

## 11.10 Installing the lower triple clamp

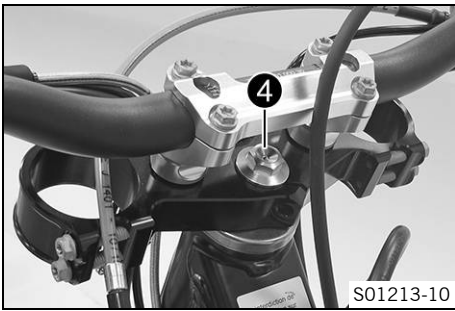


### Main work

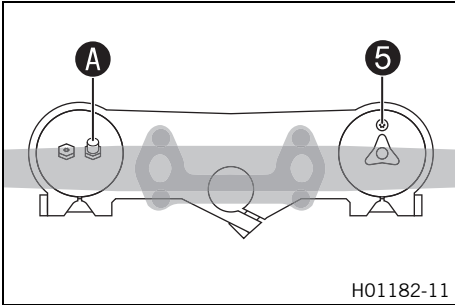
- Clean the bearing and sealing elements, check for damage, and grease.

High viscosity grease (p. 109)

- Insert the lower triple clamp with the steering stem. Mount the upper steering head bearing.
- Check whether upper steering head seal ① is correctly positioned.
- Slide on protective ring ② and O-ring ③.



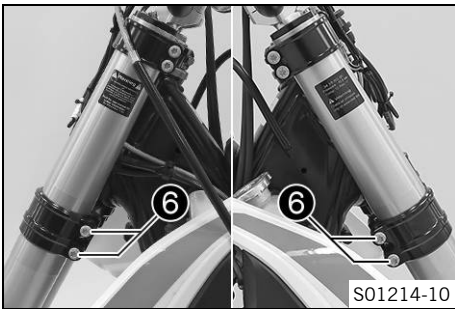
- Position the upper triple clamp with the handlebar.
- Mount screw 4 but do not tighten yet.



- Position the fork legs.
  - ✓ Bleeder screw 5 of the right fork leg is positioned to the front.
  - ✓ Valve A of the left fork leg faces the front.

**i Info**

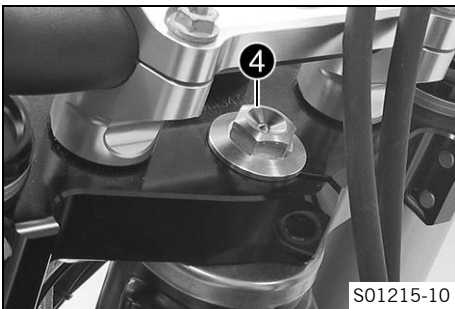
Grooves are milled into the side of the upper end of the fork legs. The second milled groove (from the top) must be flush with the top edge of the upper triple clamp. The air suspension is located in the left fork leg. The pressure and rebound damping is located in the right fork leg.



- Tighten screws 6.

Guideline

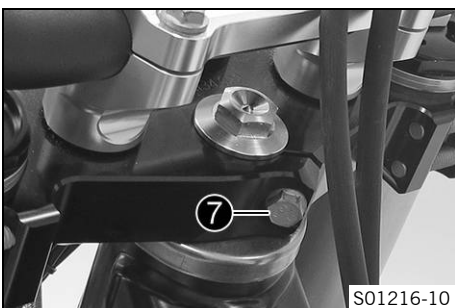
Screw, bottom triple clamp	M8	12 Nm (8.9 lbf ft)
----------------------------	----	--------------------



- Tighten screw 4.

Guideline

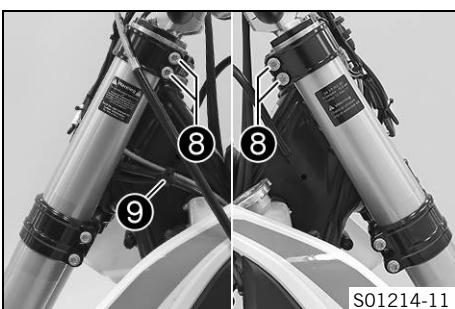
Screw, top steering head	M20x1.5	12 Nm (8.9 lbf ft)
--------------------------	---------	--------------------



- Mount and tighten screw 7.

Guideline

Screw, top steering stem	M8	20 Nm (14.8 lbf ft)	Loctite® 243™
--------------------------	----	---------------------	---------------



- Using a plastic hammer, tap lightly on the upper triple clamp to avoid stresses.

- Tighten screws 8.

Guideline

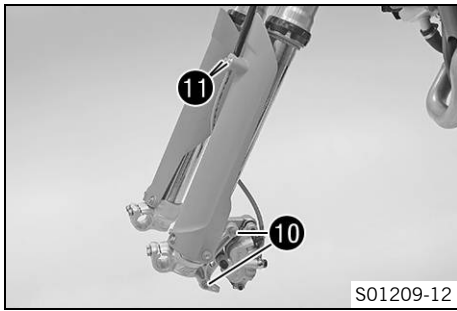
Screw, top triple clamp	M8	17 Nm (12.5 lbf ft)
-------------------------	----	---------------------

- Secure the wiring harness with cable holder 9 on the left.

- Mount the indicator lamp bracket.

Guideline

Remaining screws, chassis	M6	10 Nm (7.4 lbf ft)
---------------------------	----	--------------------



- Position the brake caliper. Mount and tighten screws **10**.

Guideline

Screw, front brake caliper	M8	25 Nm (18.4 lbf ft)	Loctite® 243™
----------------------------	----	------------------------	---------------

- Position the brake line and clamp. Mount and tighten screws **11**.

### Finishing work

- Install the front fender. (📖 p. 46)
- Mount the handlebar cushion.
- Install the start number plate. (📖 p. 45)
- Install the front wheel. 🛠️ (📖 p. 73)
- Check that the wiring harness, throttle cables, and brake and clutch lines can move freely and are routed correctly.
- Check the steering head bearing play. (📖 p. 44)
- Remove the motorcycle from the lift stand. (📖 p. 39)

## 11.11 Checking the steering head bearing play



### Warning

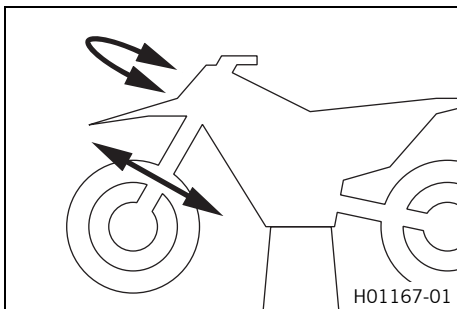
**Danger of accidents** Incorrect steering head bearing play impairs the handling characteristic and damages components.

- Correct incorrect steering head bearing play immediately. (Your authorized KTM workshop will be glad to help.)



### Info

If the bike is ridden with play in the steering head bearing, the bearing and the bearing seats in the frame can become damaged over time.



### Preparatory work

- Raise the motorcycle with a lift stand. (📖 p. 39)

### Main work

- Move the handlebar to the straight-ahead position. Move the fork legs to and fro in the direction of travel.

No play should be noticeable in the steering head bearing.

- » If there is noticeable play present:
  - Adjust the steering head bearing play. 🛠️ (📖 p. 44)
- Move the handlebar to and fro over the entire steering range.

The handlebar must be able to move easily over the entire steering range. No resting locations should be noticeable.

- » If click positions are noticeable:
  - Adjust the steering head bearing play. 🛠️ (📖 p. 44)
  - Check the steering head bearing and change if necessary.

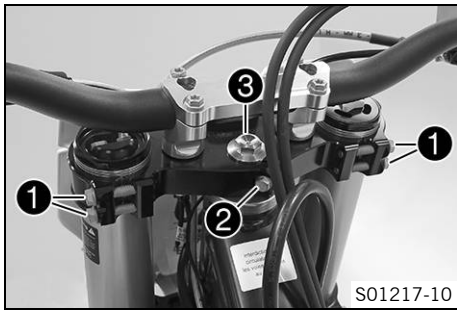
### Finishing work

- Remove the motorcycle from the lift stand. (📖 p. 39)

## 11.12 Adjusting the steering head bearing play 🛠️

### Preparatory work

- Raise the motorcycle with a lift stand. (📖 p. 39)
- Remove the handlebar cushion.



**Main work**

- Loosen screws ❶.
- Remove screw ❷.
- Loosen and retighten screw ❸.

Guideline

Screw, top steering head	M20x1.5	12 Nm (8.9 lbf ft)
--------------------------	---------	--------------------

- Using a plastic hammer, tap lightly on the upper triple clamp to avoid stresses.
- Mount and tighten screw ❷.

Guideline

Screw, top steering stem	M8	20 Nm (14.8 lbf ft)	Loctite® 243™
--------------------------	----	---------------------	---------------

- Tighten screws ❶.

Guideline

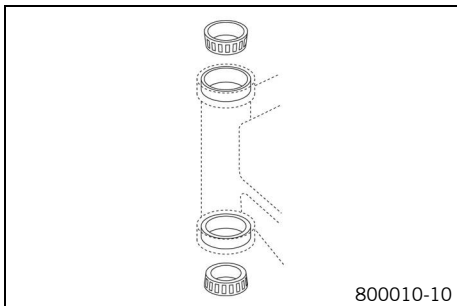
Screw, top triple clamp	M8	17 Nm (12.5 lbf ft)
-------------------------	----	---------------------

- Check the steering head bearing play. (📖 p. 44)

**Finishing work**

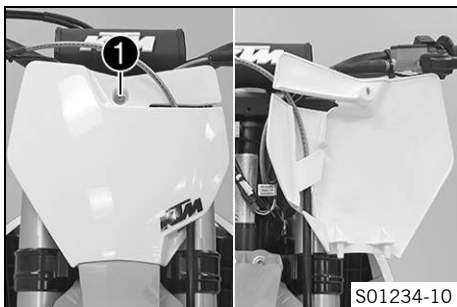
- Mount the handlebar cushion.
- Remove the motorcycle from the lift stand. (📖 p. 39)

## 11.13 Greasing the steering head bearing 🛠️



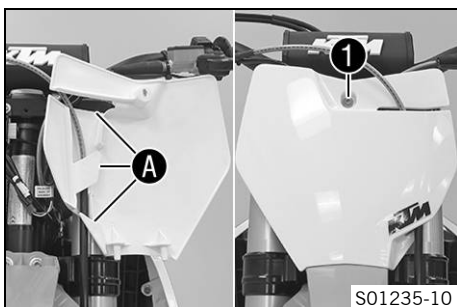
- Remove the lower triple clamp. 🛠️ (📖 p. 42)
- Install the lower triple clamp. 🛠️ (📖 p. 42)

## 11.14 Removing the start number plate



- Remove screw ❶.
- Unhook the start number plate from the brake line and remove it.

## 11.15 Installing the start number plate



- Position the brake line in holders A on the start number plate.
- Position the start number plate. Mount and tighten screw ❶.
- ✓ The holding lugs engage in the fender.

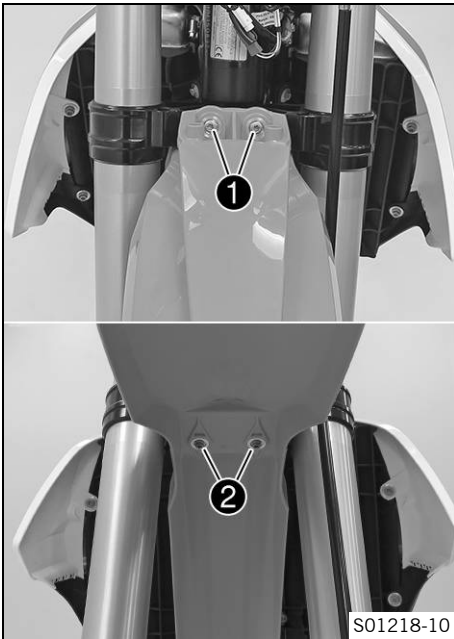
## 11.16 Removing the front fender

### Preparatory work

- Remove the start number plate. (📖 p. 45)

### Main work

- Remove screws ❶ and ❷. Remove the front fender.



S01218-10

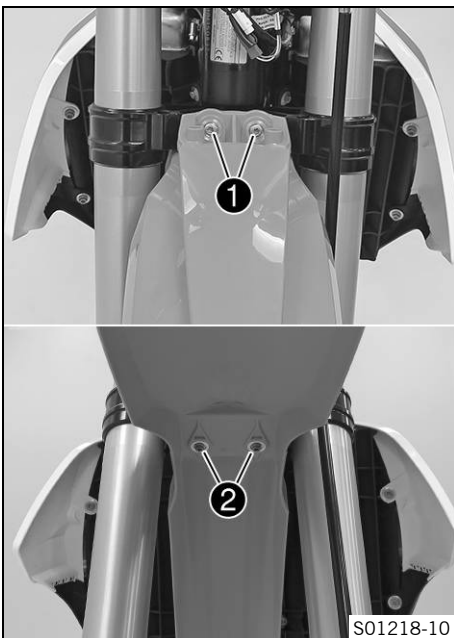
## 11.17 Installing the front fender

### Main work

- Position the front fender. Mount and tighten screws ❶ and ❷.

### Guideline

Remaining screws, chassis	M6	10 Nm (7.4 lbf ft)
---------------------------	----	--------------------



S01218-10

### Finishing work

- Install the start number plate. (📖 p. 45)

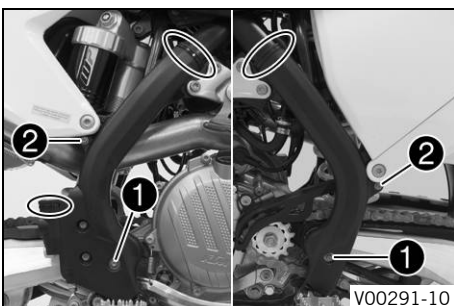
## 11.18 Removing the shock absorber

### Preparatory work

- Raise the motorcycle with a lift stand. (📖 p. 39)

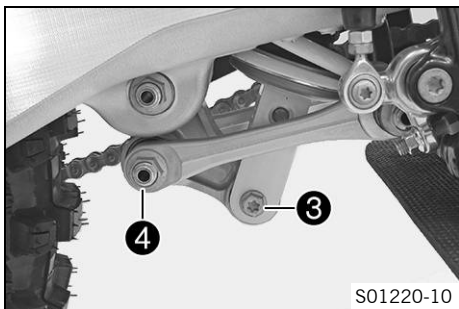
### Main work

- Remove the cable ties.
- Remove screws ❶ with the washers.
- Remove screws ❷.
- Remove the frame protectors on the left and right.



V00291-10



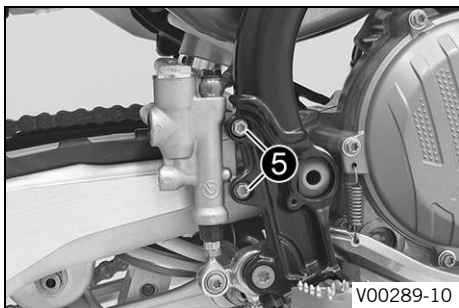


- Remove screw ③.
- Remove fitting ④.

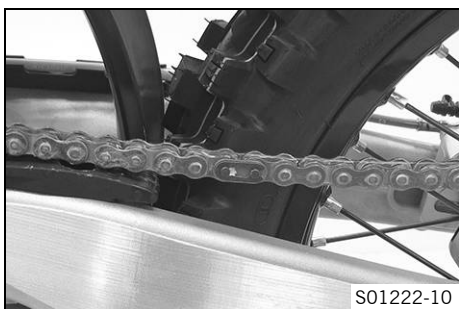


**Info**

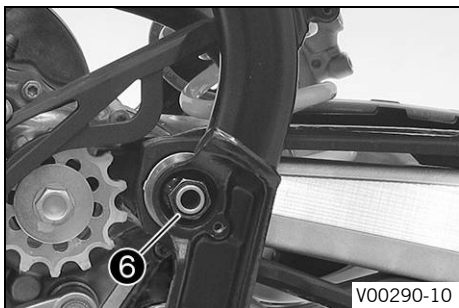
Raise the wheel slightly to be able to remove the screws more easily.



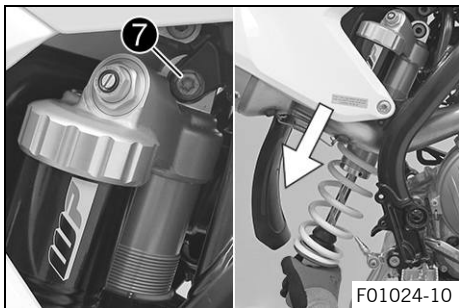
- Remove screws ⑤.
- Pull off foot brake cylinder from the push rod.



- Remove the connecting link of the chain.
- Take off the chain.

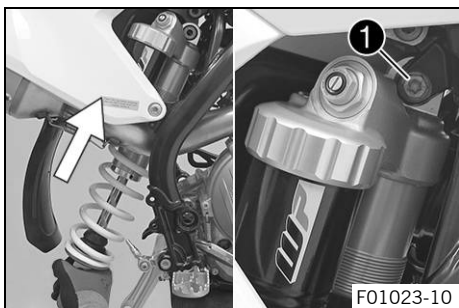


- Remove nut ⑥ and pull out the swingarm pivot.
- Push the swingarm back and secure it against falling over.



- Remove screw ⑦.
- Remove the shock absorber carefully at the bottom.

## 11.19 Installing the shock absorber

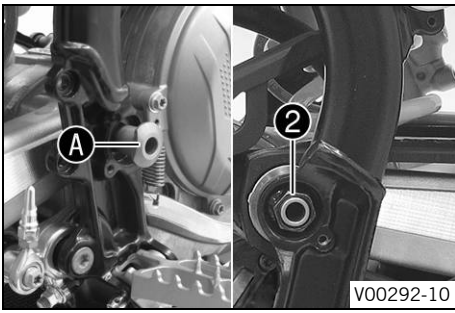


**Main work**

- Carefully position the shock absorber into the vehicle from the bottom.
- Mount and tighten screw ①.

**Guideline**

Screw, top shock absorber	M10	60 Nm (44.3 lbf ft)	Loctite® 2701™
---------------------------	-----	------------------------	----------------



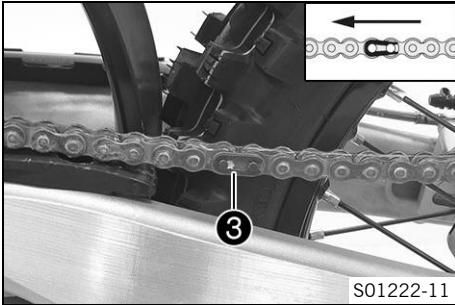
- Position the swingarm and mount the swingarm pivot.

**i Info**  
Pay attention to flat area **A**.

- Mount and tighten nut **2**.

Guideline

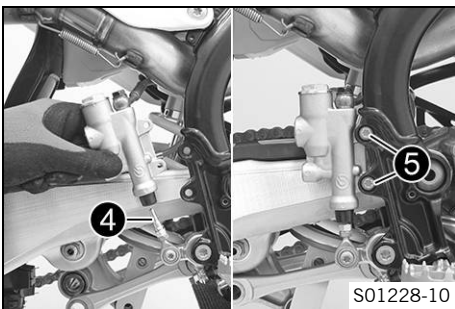
Nut, swingarm pivot	M16x1.5	100 Nm (73.8 lbf ft)
---------------------	---------	-------------------------



- Mount the chain.
- Connect the chain with connecting link **3**.

Guideline

The closed side of the chain joint lock must face in the direction of travel.



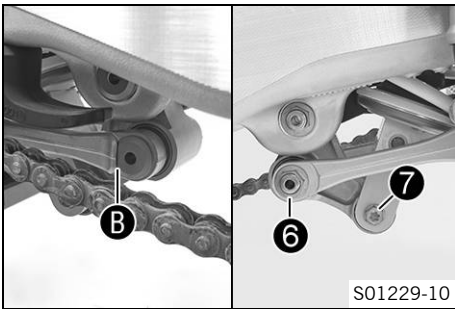
- Position the foot brake cylinder.
- ✓ Push rod **4** engages in the foot brake cylinder.

**i Info**  
Ensure that the dust boot is correctly seated.

- Mount and tighten screws **5**.

Guideline

Remaining screws, chassis	M6	10 Nm (7.4 lbf ft)
---------------------------	----	--------------------



- Position the angle lever and linkage lever.
- Mount and tighten fitting **6**.

Guideline

Nut, linkage lever to angle lever	M14x1.5	80 Nm (59 lbf ft)
-----------------------------------	---------	-------------------

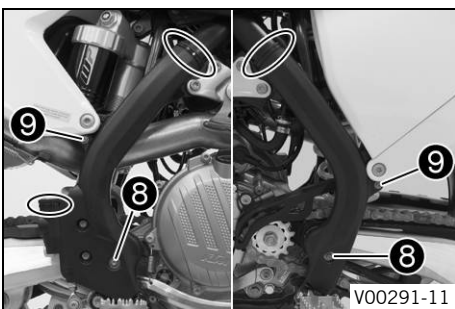
**i Info**  
Pay attention to flat area **B**.

- Mount and tighten screw **7**.

Guideline

Screw, bottom shock absorber	M10	60 Nm (44.3 lbf ft)	Loctite® 2701™
------------------------------	-----	------------------------	----------------

**i Info**  
Raise the wheel slightly to be able to mount the screw more easily.



- Position the frame protectors on the left and right.
- Mount and tighten screws **8** with the washers.

Guideline

Screw, frame protector	M5	3 Nm (2.2 lbf ft)
------------------------	----	-------------------

- Mount and tighten screws **9**.

Guideline

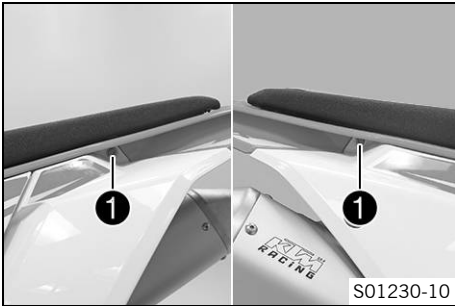
Screw, frame protector	M5	3 Nm (2.2 lbf ft)
------------------------	----	-------------------

- Mount the new cable ties.

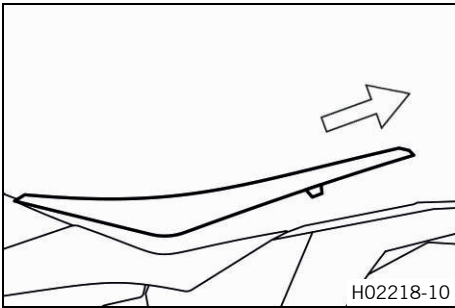
**Finishing work**

- Check the free travel of the foot brake lever. (📖 p. 68)
- Remove the motorcycle from the lift stand. (📖 p. 39)

## 11.20 Removing the seat

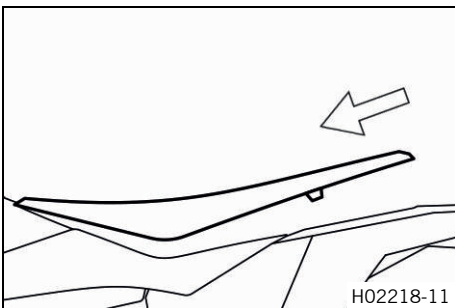


- Remove screws ❶.

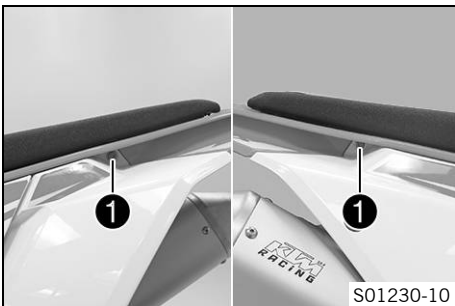


- Raise the rear of the seat, pull the seat back, and lift it off.

## 11.21 Mounting the seat



- Mount the front of the seat on the collar bushing of the fuel tank, lower the seat at the rear, and push the seat forward.



- Mount and tighten screws ❶.

Guideline

Remaining screws, chassis	M6	10 Nm (7.4 lbf ft)
---------------------------	----	--------------------

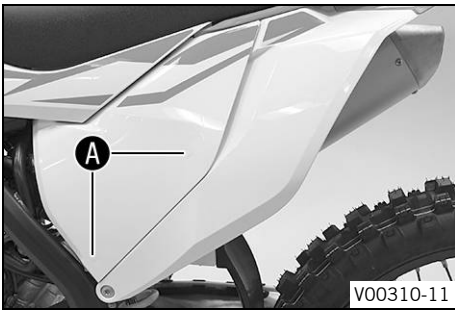
## 11.22 Removing the air filter box cover



### Condition

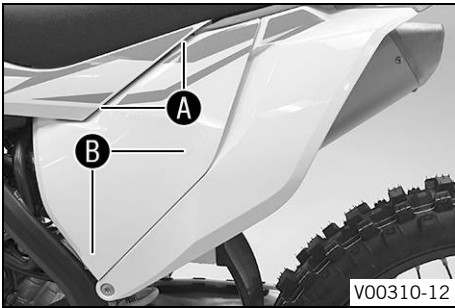
The air filter box cover is secured.

- Remove screw ❶.

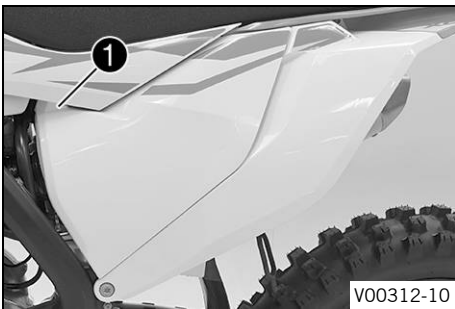


- Pull off the air filter box cover in area **A** sideways and remove it toward the front.

## 11.23 Installing the air filter box cover



- Insert the air filter box cover in area **A** and clip it into area **B**.



### Condition

The air filter box cover is secured.

- Mount and tighten screw **1**.

### Guideline

Screw, air filter box cover	EJOT PT® K60x20-Z	3 Nm (2.2 lbf ft)
-----------------------------	----------------------	-------------------

## 11.24 Removing the air filter

### Note

**Engine damage** Unfiltered intake air has a negative effect on the service life of the engine.

Dust and dirt will enter the engine without an air filter.

- Never start to use the vehicle without an air filter.



### Warning

**Environmental hazard** Hazardous substances cause environmental damage.

- Dispose of oils, grease, filters, fuel, cleaning agents, brake fluid, etc., correctly and in compliance with the applicable regulations.

### Preparatory work

- Remove the air filter box cover. (📖 p. 49)

### Main work

- Detach retaining tab **1**.
- Remove air filter from air filter support.



## 11.25 Cleaning the air filter and air filter box

- Warning**  
**Environmental hazard** Hazardous substances cause environmental damage.
- Dispose of oils, grease, filters, fuel, cleaning agents, brake fluid, etc., correctly and in compliance with the applicable regulations.

- Info**  
 Do not clean the air filter with fuel or petroleum since these substances attack the foam.



### Preparatory work

- Remove the air filter box cover. (p. 49)
- Remove the air filter. (p. 50)

### Main work

- Wash the air filter thoroughly in special cleaning liquid and allow it to dry properly.

Air filter cleaner (p. 109)

- Info**  
 Only press the air filter to dry it, never wring it out.

- Oil the dry air filter with a high quality filter oil.

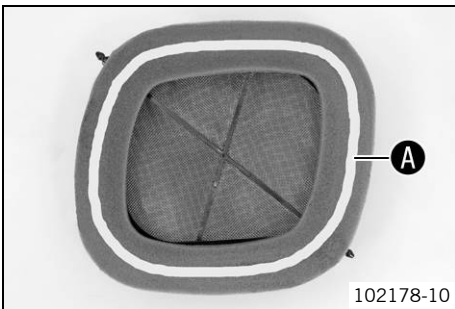
Oil for foam air filter (p. 109)

- Clean the air filter box.
- Clean the intake flange and check it for damage and tightness.

### Finishing work

- Install the air filter. (p. 51)
- Install the air filter box cover. (p. 50)

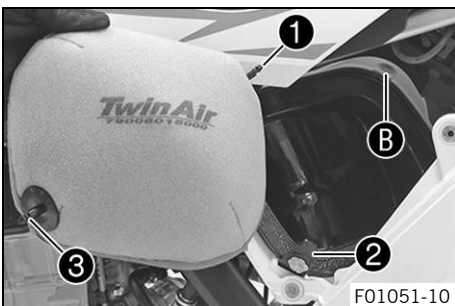
## 11.26 Installing the air filter



### Main work

- Mount the clean air filter on the air filter support.
- Grease the air filter in area **A**.

Long-life grease (p. 109)



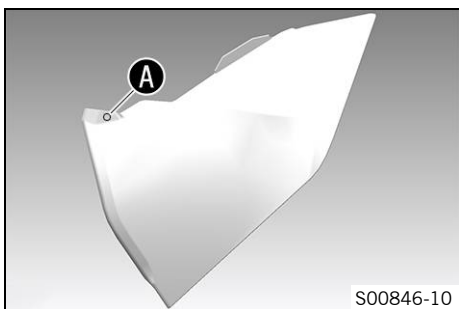
- Insert air filter and position retaining pin **1** in bushing **B**.  
 ✓ The air filter is correctly positioned.
- Insert retaining tab **2**.  
 ✓ Retaining pin **3** is secured by retaining tab **2**.

- Info**  
 If the air filter is not mounted correctly, dust and dirt may enter the engine and result in damage.

### Finishing work

- Install the air filter box cover. (p. 50)

## 11.27 Securing the air filter box cover



### Preparatory work

- Remove the air filter box cover. (📖 p. 49)

### Main work

- Drill a hole at marking **A**.

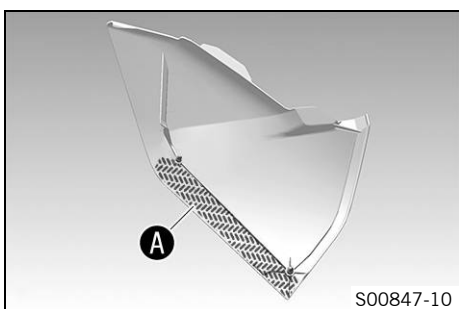
### Guideline

Diameter	6 mm (0.24 in)
----------	----------------

### Finishing work

- Install the air filter box cover. (📖 p. 50)

## 11.28 Sealing the air filter box



### Preparatory work

- Remove the air filter box cover. (📖 p. 49)

### Main work

- Seal the air filter box in marked area **A**.

### Finishing work

- Install the air filter box cover. (📖 p. 50)

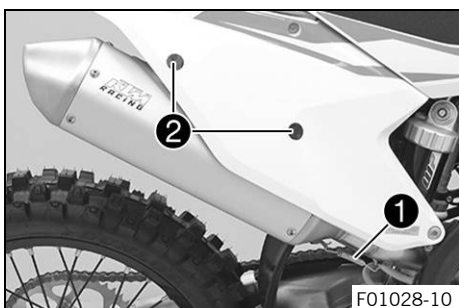
## 11.29 Removing the main silencer



### Warning

**Danger of burns** The exhaust system gets very hot when the vehicle is driven.

- Allow the exhaust system to cool down before performing any work on the vehicle.

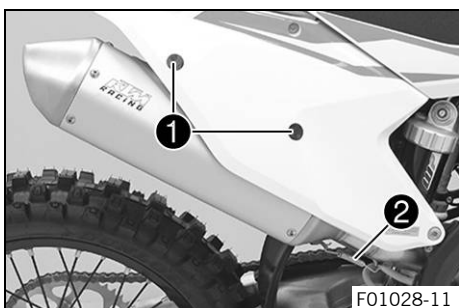


- Detach spring **1**.

Spring hook (50305017000)
---------------------------

- Remove screws **2** with the washers and take off the main silencer.

## 11.30 Installing the main silencer



- Position the main silencer.
- Mount screws **1** with the washers, but do not tighten yet.
- Attach spring **2**.

Spring hook (50305017000)
---------------------------

- Tighten screws **1**.

### Guideline

Remaining screws, chassis	M6	10 Nm (7.4 lbf ft)
---------------------------	----	--------------------

## 11.31 Changing the glass fiber yarn filling of the main silencer ↩



### Warning

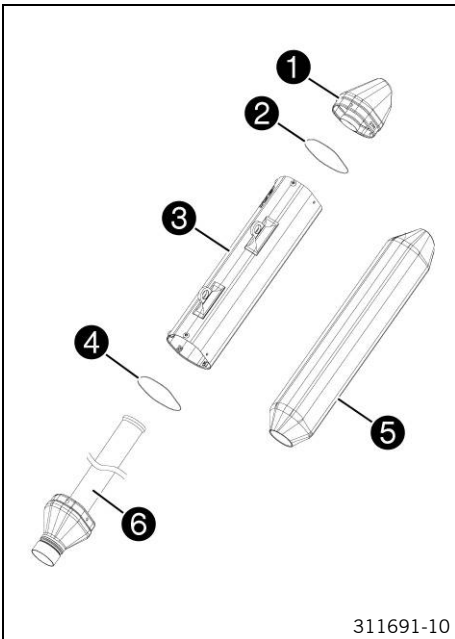
**Danger of burns** The exhaust system gets very hot when the vehicle is driven.

- Allow the exhaust system to cool down before performing any work on the vehicle.



### Info

Over time, the fibers of the glass fiber yarn escape and the damper "burns" out. Not only is the noise level higher, the performance characteristic changes.



### Preparatory work

- Remove the main silencer. (📖 p. 52)

### Main work

- Remove all the screws on the main silencer.
- Take off silencer cap ① and O-ring ②.
- Take off outer tube ③ and O-ring ④.
- Pull glass fiber yarn filling ⑤ off of inner tube ⑥.
- Clean the parts that need to be reinstalled and check for damage.
- Mount new glass fiber yarn filling ⑤ on inner tube ⑥.
- Slide O-ring ④ and outer tube ③ over glass fiber yarn filling ⑤.
- Insert O-ring ② and silencer cap ① into outer tube ③.
- Mount and tighten all of the screws.

### Guideline

Screws on the main silencer	M5	7 Nm (5.2 lbf ft)
-----------------------------	----	-------------------

### Finishing work

- Install the main silencer. (📖 p. 52)

## 11.32 Removing the fuel tank ↩



### Danger

**Fire hazard** Fuel is highly flammable.

The fuel in the fuel tank expands when warm and can escape if overfilled.

- Do not refuel the vehicle in the vicinity of open flames or lit cigarettes.
- Switch off the engine for refueling.
- Make sure that no fuel is spilled; particularly not on hot parts of the vehicle.
- If any fuel is spilled, wipe it off immediately.
- Observe the specifications for refueling.



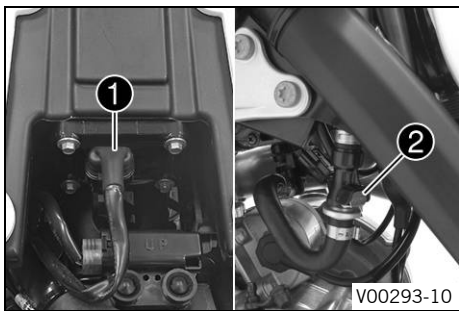
### Warning

**Danger of poisoning** Fuel is poisonous and a health hazard.

- Avoid skin, eye and clothing contact with fuel.
- Immediately consult a doctor if you swallow fuel.
- Do not inhale fuel vapors.
- In case of skin contact, rinse the affected area with plenty of water.
- Rinse the eyes thoroughly with water, and consult a doctor in case of fuel contact with the eyes.
- Change your clothing in case of fuel spills on them.
- Keep fuels correctly in a suitable canister, and out of the reach of children.

### Preparatory work

- Remove the seat. (📖 p. 49)



**Main work**  
(All SX-F models)

- Unplug connector ① of the fuel pump.
- Clean plug-in connection ② of the fuel line thoroughly with compressed air.

**i Info**  
Under no circumstances should dirt enter into the fuel line. Dirt in the fuel line clogs the injection valve!

- Disconnect the plug-in connection of the fuel line.

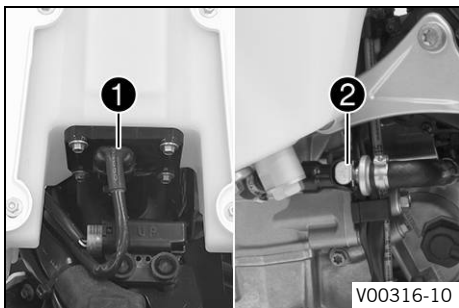
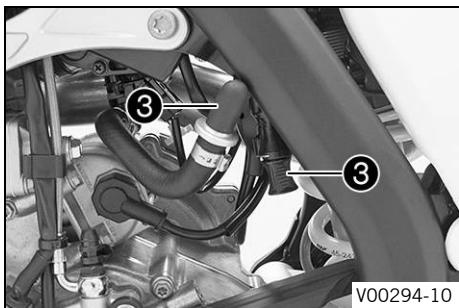
**i Info**  
Remaining fuel may flow out of the fuel hose.

- Mount wash cap set ③.

Wash cap set (81212016100)

- Pull the fuel tank breather hose off the tank lid.

- Remove screw ④ with the rubber bushing.



**(XC-F US)**

- Unplug connector ① of the fuel pump.
- Clean plug-in connection ② of the fuel line thoroughly with compressed air.

**i Info**  
Under no circumstances should dirt enter into the fuel line. Dirt in the fuel line clogs the injection valve!

- Disconnect the plug-in connection of the fuel line.

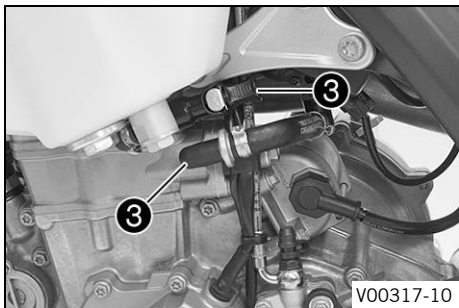
**i Info**  
Remaining fuel may flow out of the fuel hose.

- Mount wash cap set ③.

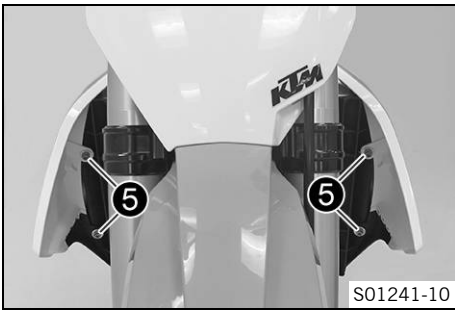
Wash cap set (81212016100)

- Pull the fuel tank breather hose off the tank lid.

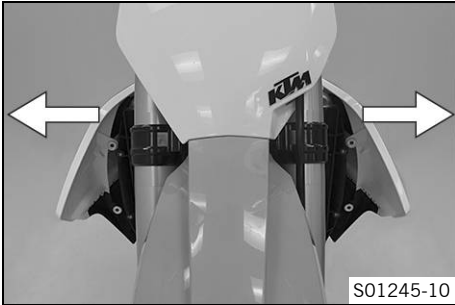
- Remove screw ④ with the rubber bushing.







- Remove screws 5 with the collar bushings.



- Pull both spoilers off the sides of the radiator bracket and lift off the fuel tank.

## 11.33 Installing the fuel tank



### Danger

**Fire hazard** Fuel is highly flammable.

The fuel in the fuel tank expands when warm and can escape if overfilled.

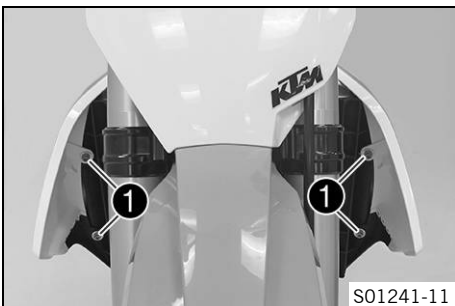
- Do not refuel the vehicle in the vicinity of open flames or lit cigarettes.
- Switch off the engine for refueling.
- Make sure that no fuel is spilled; particularly not on hot parts of the vehicle.
- If any fuel is spilled, wipe it off immediately.
- Observe the specifications for refueling.



### Warning

**Danger of poisoning** Fuel is poisonous and a health hazard.

- Avoid skin, eye and clothing contact with fuel.
- Immediately consult a doctor if you swallow fuel.
- Do not inhale fuel vapors.
- In case of skin contact, rinse the affected area with plenty of water.
- Rinse the eyes thoroughly with water, and consult a doctor in case of fuel contact with the eyes.
- Change your clothing in case of fuel spills on them.

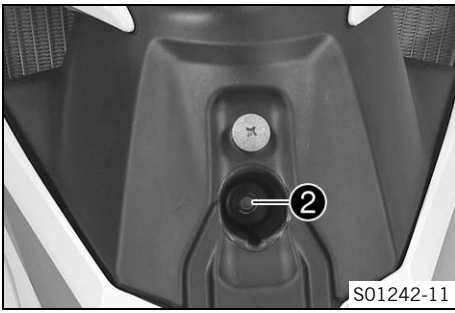


### Main work

- Check the throttle cable routing. (📖 p. 60)
- Position the fuel tank and fit the two spoilers to the sides of the radiator bracket.
- Make sure that no cables or throttle cables are trapped or damaged.
- Attach the hose to the fuel tank breather on the tank lid.
- Mount and tighten screws 1 with the collar bushings.

### Guideline

Remaining screws, chassis	M6	10 Nm (7.4 lbf ft)
---------------------------	----	--------------------

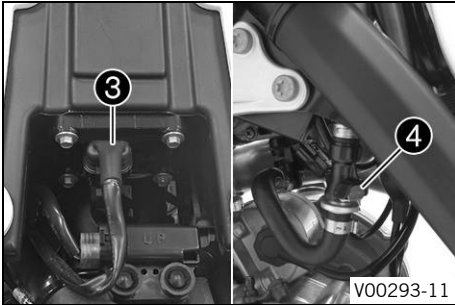


**(All SX-F models)**

- Mount and tighten screw **2** with the rubber bushing.

Guideline

Remaining screws, chassis	M6	10 Nm (7.4 lbf ft)
---------------------------	----	-----------------------

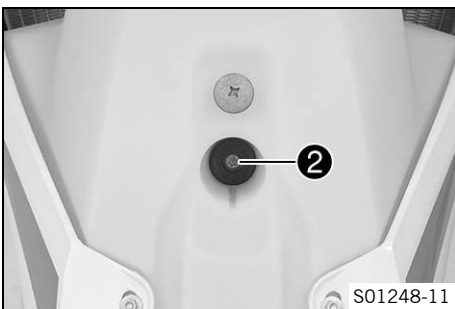


- Plug in connector **3** for the fuel pump.
- Remove the wash cap set. Thoroughly clean the plug-in connection of the fuel line using compressed air.

**i Info**  
Under no circumstances should dirt enter into the fuel line. Dirt in the fuel line clogs the injection valve!

- Lubricate the O-ring and connect plug-in connection **4** for the fuel line.

**i Info**  
Route the cable and fuel line at a safe distance from the exhaust system.

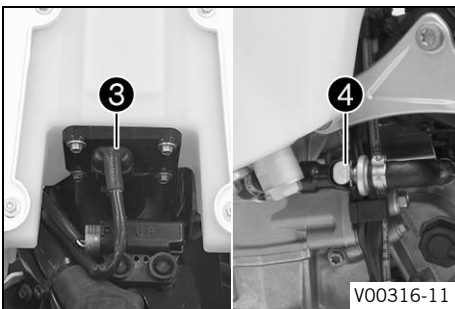


**(XC-F US)**

- Mount and tighten screw **2** with the rubber bushing.

Guideline

Remaining screws, chassis	M6	10 Nm (7.4 lbf ft)
---------------------------	----	-----------------------



- Plug in connector **3** for the fuel pump.
- Remove the wash cap set. Thoroughly clean the plug-in connection of the fuel line using compressed air.

**i Info**  
Under no circumstances should dirt enter into the fuel line. Dirt in the fuel line clogs the injection valve!

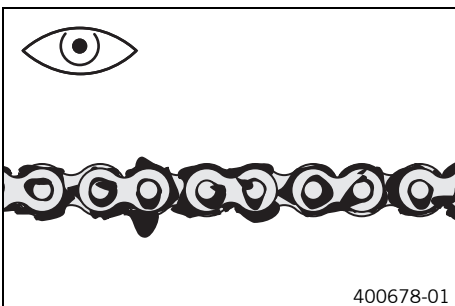
- Lubricate the O-ring and connect plug-in connection **4** for the fuel line.

**i Info**  
Route the cable and fuel line at a safe distance from the exhaust system.

**Finishing work**

- Mount the seat. (📖 p. 49)

**11.34 Checking for chain dirt accumulation**



- Check the chain for coarse dirt accumulation.
  - » If the chain is very dirty:
    - Clean the chain. (📖 p. 57)

## 11.35 Cleaning the chain

**Warning**  
**Danger of accidents** Oil or grease on the tires reduces the road grip.

- Remove the lubricant from the tires using a suitable cleaning agent.

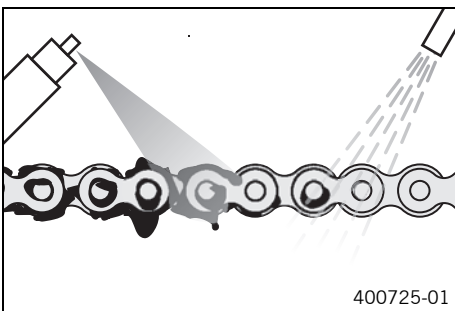
**Warning**  
**Danger of accidents** Oil or grease on the brake discs reduces the braking effect.

- Always keep the brake discs free of oil and grease.
- Clean the brake discs with brake cleaner when necessary.

**Warning**  
**Environmental hazard** Hazardous substances cause environmental damage.

- Dispose of oils, grease, filters, fuel, cleaning agents, brake fluid, etc., correctly and in compliance with the applicable regulations.

**Info**  
 The service life of the chain depends largely on its maintenance.



### Preparatory work

- Raise the motorcycle with a lift stand. (🔧 p. 39)

### Main work

- Rinse off loose dirt with a soft jet of water.
- Remove old grease residue with chain cleaner.

Chain cleaner (🔧 p. 109)

- After drying, apply chain spray.

Off-road chain spray (🔧 p. 109)

### Finishing work

- Remove the motorcycle from the lift stand. (🔧 p. 39)

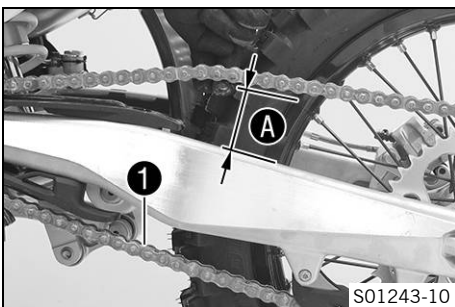
## 11.36 Checking the chain tension

**Warning**  
**Danger of accidents** Incorrect chain tension damages components and results in accidents.

If the chain is tensioned too much, the chain, engine sprocket, rear sprocket, transmission and rear wheel bearings wear more quickly. Some components may break if overloaded.

If the chain is too loose, the chain may fall off the engine sprocket or the rear sprocket. As a result, the rear wheel locks or the engine will be damaged.

- Check the chain tension regularly.
- Set the chain tension in accordance with the specification.



### Preparatory work

- Raise the motorcycle with a lift stand. (🔧 p. 39)

### Main work

- Pull the chain at the end of the chain sliding component upwards to measure chain tension **A**.

**Info**

The lower chain section **1** must be taut.  
 Chain wear is not always even, so you should repeat this measurement at different chain positions.

Chain tension	55... 58 mm (2.17... 2.28 in)
---------------	-------------------------------

- » If the chain tension does not meet specifications:
  - Adjust the chain tension. (📖 p. 58)

**Finishing work**

- Remove the motorcycle from the lift stand. (📖 p. 39)

**11.37 Adjusting the chain tension**

**Warning**  
**Danger of accidents** Incorrect chain tension damages components and results in accidents.

If the chain is tensioned too much, the chain, engine sprocket, rear sprocket, transmission and rear wheel bearings wear more quickly. Some components may break if overloaded.  
 If the chain is too loose, the chain may fall off the engine sprocket or the rear sprocket. As a result, the rear wheel locks or the engine will be damaged.

- Check the chain tension regularly.
- Set the chain tension in accordance with the specification.

**Preparatory work**

- Raise the motorcycle with a lift stand. (📖 p. 39)
- Check the chain tension. (📖 p. 57)

**Main work**

- Loosen nut ❶.
- Loosen nuts ❷.
- Adjust the chain tension by turning adjusting screws ❸ left and right.

**Guideline**

Chain tension	55... 58 mm (2.17... 2.28 in)
Turn adjusting screws ❸ on the left and right so that the markings on the left and right chain adjusters are in the same position relative to reference marks A. The rear wheel is then correctly aligned.	

- Tighten nuts ❷.
- Make sure that chain adjusters ❹ are fitted correctly on adjusting screws ❸.
- Tighten nut ❶.

**Guideline**

Nut, rear wheel spindle	M25x1.5	80 Nm (59 lbf ft)
-------------------------	---------	-------------------



**Info**

The wide adjustment range of the chain adjusters (32 mm (1.18 in)) enables different secondary ratios with the same chain length.  
 Chain adjusters ❹ can be turned by 180°.

**Finishing work**

- Remove the motorcycle from the lift stand. (📖 p. 39)

**11.38 Checking the chain, rear sprocket, engine sprocket, and chain guide**

**Preparatory work**

- Raise the motorcycle with a lift stand. (📖 p. 39)

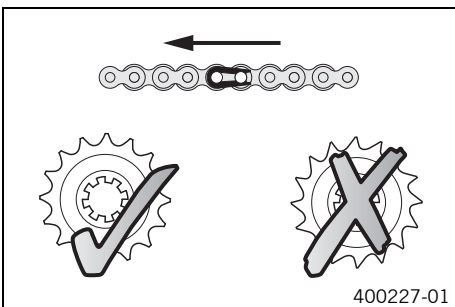
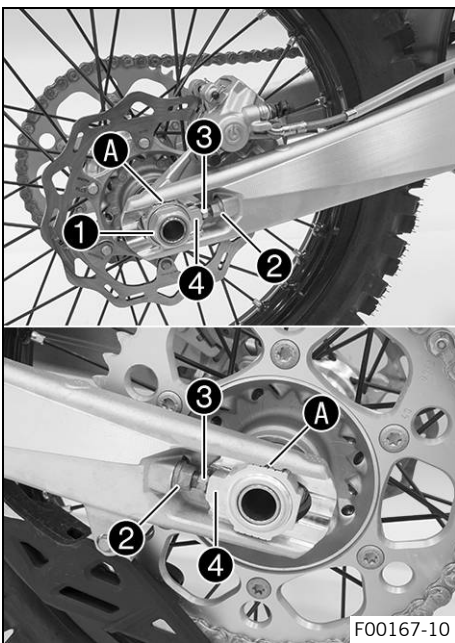
**Main work**

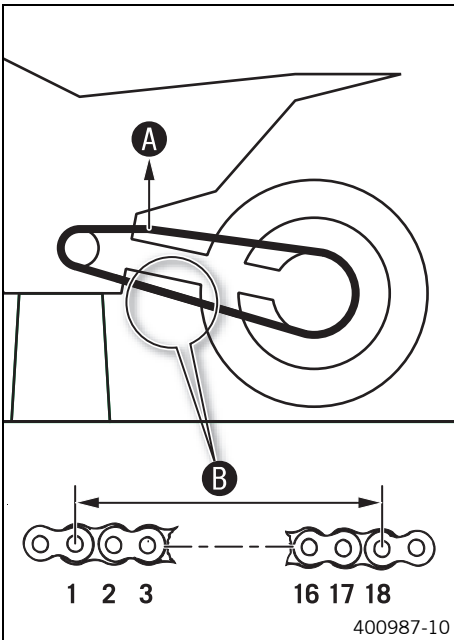
- Shift the transmission to idle.
- Check the rear sprocket and engine sprocket for wear.
  - » If the rear sprocket or engine sprocket is worn:
    - Change the drivetrain kit. 🛠️



**Info**

The engine sprocket, rear sprocket, and chain should always be replaced together.





- Pull at the top part of the chain with the specified weight **A**.

Guideline

Weight, chain wear measurement	10... 15 kg (22... 33 lb.)
--------------------------------	----------------------------

- Measure distance **B** of 18 chain rollers in the lower chain section.

**i Info**

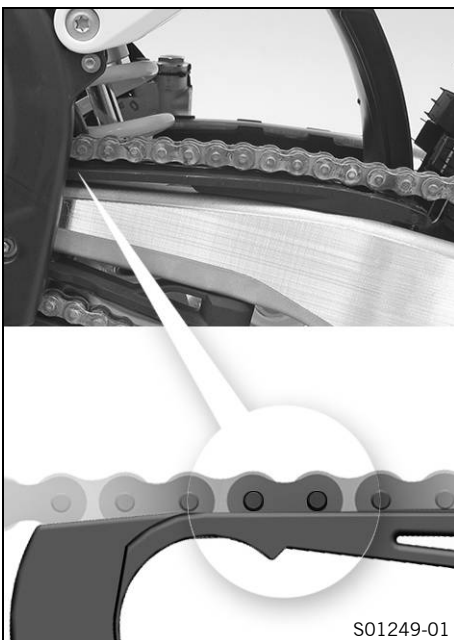
Chain wear is not always even, so you should repeat this measurement at different chain positions.

Maximum distance <b>B</b> at the longest chain section	272 mm (10.71 in)
--	-------------------

- » If distance **B** is greater than the specified measurement:
  - Change the drivetrain kit. 🛠️

**i Info**

When the chain is replaced, the rear sprocket and engine sprocket should also be changed. New chains wear out faster on an old, worn rear sprocket or engine sprocket.



- Check the chain sliding guard for wear.
  - » If the lower edge of the chain pins is in line with or below the chain sliding guard:
    - Change the chain sliding guard. 🛠️
- Check that the chain sliding guard is firmly seated.
  - » If the chain sliding guard is loose:
    - Tighten the screws on the chain sliding guard.

Guideline

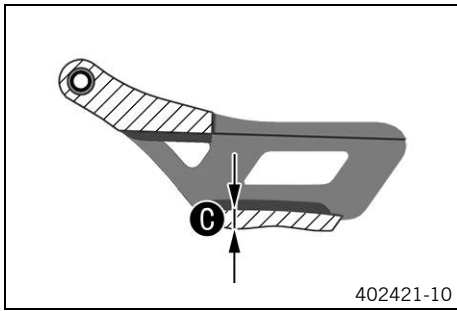
Screw, chain sliding guard	M6	6 Nm (4.4 lbf ft)	<b>Loctite® 243™</b>
----------------------------	----	-------------------	----------------------



- Check the chain sliding piece for wear.
  - » If the lower edge of the chain pins is in line with or below the chain sliding piece:
    - Change the chain sliding piece. 🛠️
- Check that the chain sliding piece is firmly seated.
  - » If the chain sliding piece is loose:
    - Tighten the screw on the chain sliding piece.

Guideline

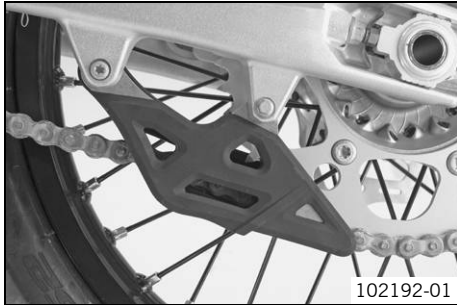
Screw, chain sliding piece	M8	15 Nm (11.1 lbf ft)
----------------------------	----	---------------------



- Check the chain guide with a slide gauge for dimension **C**.

Minimum thickness <b>C</b> of the chain guide	6 mm (0.24 in)
---	----------------

- » If the measured value is less than the specification:
  - Change the chain guide. 🛠️



- Check that the chain guide is firmly seated.
  - » If the chain guide is loose:
    - Tighten the screws on the chain guide.

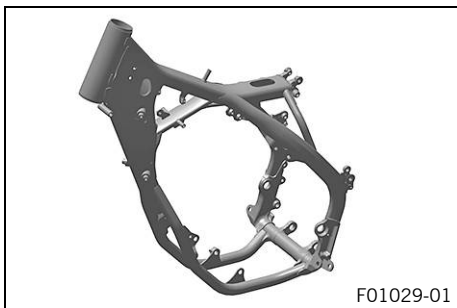
Guideline

Remaining screws, chassis	M6	10 Nm (7.4 lbf ft)
---------------------------	----	-----------------------

### Finishing work

- Remove the motorcycle from the lift stand. (📖 p. 39)

## 11.39 Checking the frame 🛠️



- Check the frame for cracks and deformation.
  - » If the frame exhibits cracks or deformation due to a mechanical impact:
    - Change the frame. 🛠️

**i Info**  
Always replace a frame that has been damaged due to a mechanical impact. Repair of the frame is not authorized by KTM.

## 11.40 Checking the swingarm 🛠️



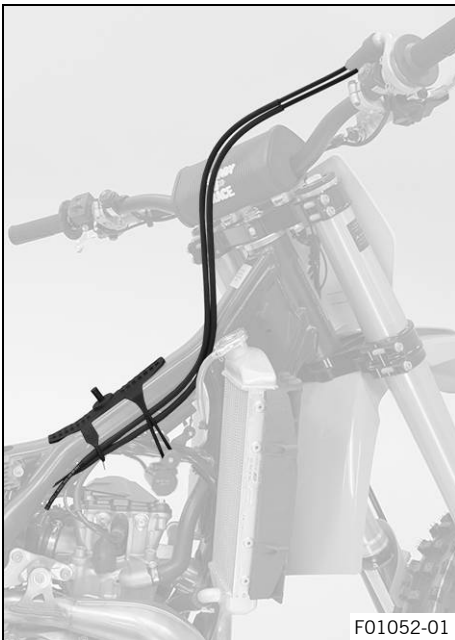
- Check the swingarm for damage, cracking, and deformation.
  - » If the swingarm shows signs of damage, cracking, or deformation:
    - Change the swingarm. 🛠️

**i Info**  
Always change a damaged swingarm. Repair of the swingarm is not authorized by KTM.

## 11.41 Checking the throttle cable routing

### Preparatory work

- Remove the seat. (📖 p. 49)
- Remove the fuel tank. 🛠️ (📖 p. 53)



**Main work**

- Check the throttle cable routing.

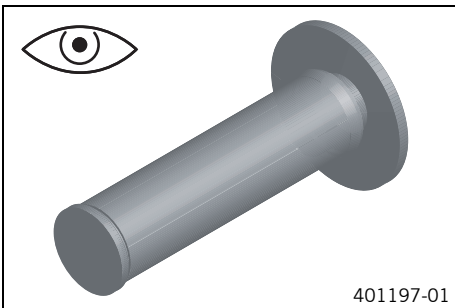
Both throttle cables must be routed, side by side, on the back of the handlebars and above the fuel tank bracket, to the throttle valve body. Both throttle cables must be secured behind the fuel tank contact area rubber band.

- » If the throttle cable is not routed as specified:
  - Correct the throttle cable routing.

**Finishing work**

- Install the fuel tank. (🔧 p. 55)
- Mount the seat. (🔧 p. 49)

## 11.42 Checking the rubber grips



- Check the rubber grips on the handlebar for damage, wear, and looseness.

**i Info**

The rubber grips are vulcanized onto a sleeve on the left and onto the handle tube of the throttle grip on the right. The left sleeve is clamped onto the handlebar.

The rubber grip can only be replaced with the sleeve or the throttle tube.

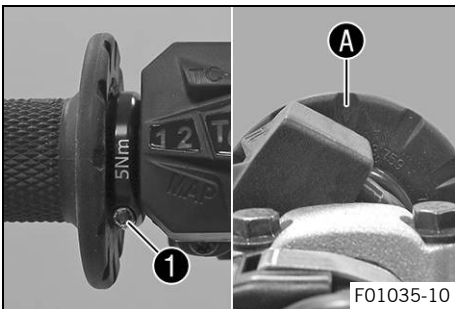
- » If a rubber grip is damaged or worn:
  - Change the rubber grip.

- Check that screw ❶ is firmly seated.

**Guideline**

Screw, fixed grip	M4	5 Nm (3.7 lbf ft)	Loctite® 243™
-------------------	----	----------------------	---------------

Diamond ❶ must be located at the top.



## 11.43 Adjusting the basic position of the clutch lever



- Adjust the basic setting of the clutch lever to your hand size by turning adjusting screw ❶.

**i Info**

Turn the adjusting screw counterclockwise to decrease the distance between the clutch lever and the handlebar.

Turn the adjusting screw clockwise to increase the distance between the clutch lever and the handlebar.

The range of adjustment is limited.

Turn the adjusting screw by hand only, and do not apply any force.

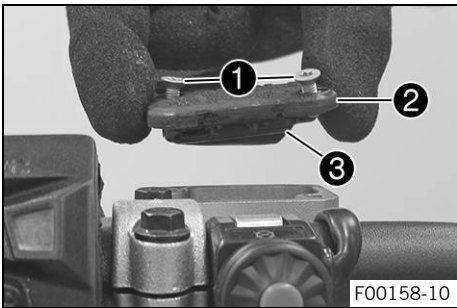
Do not make any adjustments while riding!

## 11.44 Checking/correcting the fluid level of the hydraulic clutch

**Warning**  
**Skin irritation** Brake fluid causes skin irritation.

- Keep brake fluid out of the reach of children.
- Wear suitable protective clothing and safety glasses.
- Do not allow brake fluid to come into contact with the skin, the eyes or clothing.
- Consult a doctor immediately if brake fluid has been swallowed.
- Rinse the affected area with plenty of water in the event of contact with the skin.
- Rinse eyes thoroughly with water immediately and consult a doctor if brake fluid comes into contact with the eyes.
- If brake fluid spills on to your clothing, change the clothing.

**Info**  
 The fluid level rises with increasing wear of the clutch facing discs.  
 Never use DOT 5 brake fluid. It is silicone-based and purple in color. Oil seals and clutch lines are not designed for DOT 5 brake fluid.  
 Avoid contact between brake fluid and painted parts. Brake fluid attacks paint.  
 Only use clean brake fluid from a sealed container.



- Move the clutch fluid reservoir mounted on the handlebar to a horizontal position.
- Remove screws ①.
- Remove cover ② with membrane ③.
- Check the fluid level.

Fluid level below container rim	4 mm (0.16 in)
---------------------------------	----------------

- » If the fluid level does not meet specifications:
  - Correct the fluid level of the hydraulic clutch.

Brake fluid DOT 4 / DOT 5.1 (📖 p. 107)
--

- Position the cover with the membrane. Mount and tighten the screws.

**Info**  
 Clean up overflowed or spilled brake fluid immediately with water.

## 11.45 Changing the hydraulic clutch fluid 🗑️

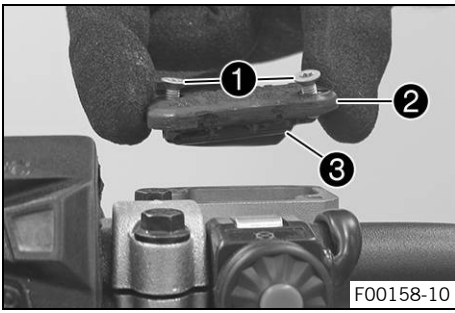
**Warning**  
**Skin irritation** Brake fluid causes skin irritation.

- Keep brake fluid out of the reach of children.
- Wear suitable protective clothing and safety glasses.
- Do not allow brake fluid to come into contact with the skin, the eyes or clothing.
- Consult a doctor immediately if brake fluid has been swallowed.
- Rinse the affected area with plenty of water in the event of contact with the skin.
- Rinse eyes thoroughly with water immediately and consult a doctor if brake fluid comes into contact with the eyes.
- If brake fluid spills on to your clothing, change the clothing.

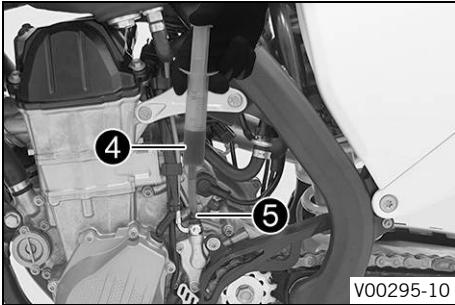
**Warning**  
**Environmental hazard** Hazardous substances cause environmental damage.

- Dispose of oils, grease, filters, fuel, cleaning agents, brake fluid, etc., correctly and in compliance with the applicable regulations.





- Move the clutch fluid reservoir mounted on the handlebar to a horizontal position.
- Remove screws ①.
- Remove cover ② with membrane ③.



**(All SX-F models)**

- Fill bleeding syringe ④ with the appropriate hydraulic fluid.

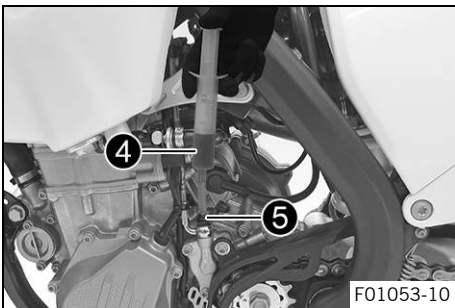
Bleed syringe (50329050000)
-----------------------------

Brake fluid DOT 4 / DOT 5.1 (📖 p. 107)
--

- Mount bleeding syringe ④ on bleeder screw ⑤ using a fitting section of hose.
- Only loosen bleeder screw ⑤ on the clutch slave cylinder to the point where filling is possible.

**i Info**

Clean up overflowed or spilled brake fluid immediately with water. Avoid contact between brake fluid and painted parts. Brake fluid attacks paint. Only use clean brake fluid from a sealed container.



**(XC-F US)**

- Fill bleeding syringe ④ with the appropriate hydraulic fluid.

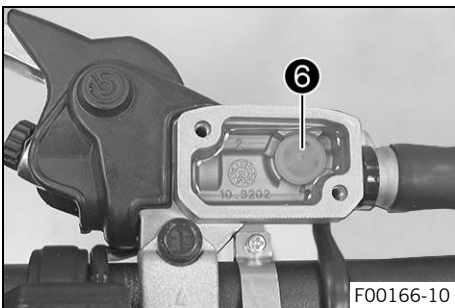
Bleed syringe (50329050000)
-----------------------------

Brake fluid DOT 4 / DOT 5.1 (📖 p. 107)
--

- Mount bleeding syringe ④ on bleeder screw ⑤ using a fitting section of hose.
- Only loosen bleeder screw ⑤ on the clutch slave cylinder to the point where filling is possible.

**i Info**

Clean up overflowed or spilled brake fluid immediately with water. Avoid contact between brake fluid and painted parts. Brake fluid attacks paint. Only use clean brake fluid from a sealed container.



- Now inject the liquid into the system until it emerges from drill hole ⑥ of the master cylinder without bubbles.
- Now and then, extract fluid from the master cylinder reservoir to prevent overflow.
- Tighten the bleeder screw and remove the bleeding syringe with the hose.
- Correct the fluid level of the hydraulic clutch.

**Guideline**

Fluid level below container rim	4 mm (0.16 in)
---------------------------------	----------------

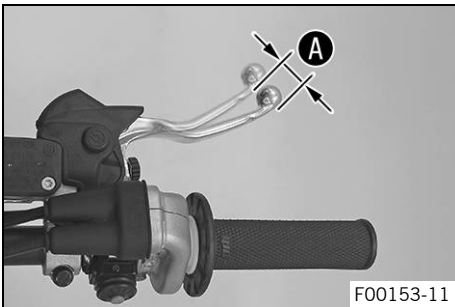
- Position the cover with the membrane. Mount and tighten the screws.

## 12.1 Checking the free travel of the hand brake lever

**Warning**  
**Danger of accidents** The brake system fails in the event of overheating.

If there is no free travel on the hand brake lever, pressure builds up on the front brake circuit.

- Set the free travel on the hand brake lever in accordance with the specification.



- Push the hand brake lever forward and check free travel **A**.

Free travel of hand brake lever	≥ 3 mm (≥ 0.12 in)
---------------------------------	--------------------

- » If the free travel does not meet specifications:
  - Adjust the basic position of the hand brake lever. (🔧 p. 64)

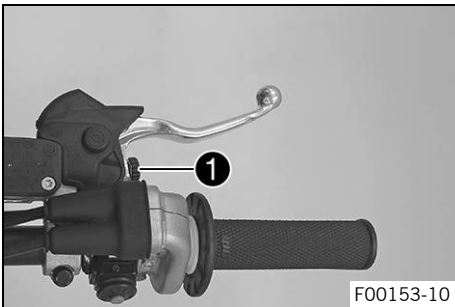
## 12.2 Adjusting the basic position of the hand brake lever

### Preparatory work

- Check the free travel of the hand brake lever. (🔧 p. 64)

### Main work

- Adjust the basic position of the hand brake lever to your hand size by turning adjusting screw **1**.

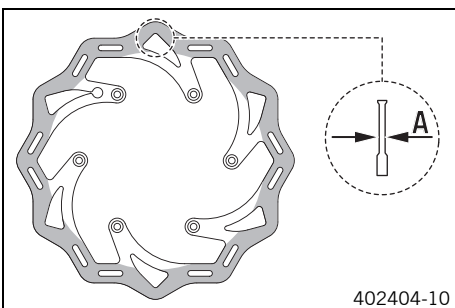


**i Info**  
 Turn the adjusting screw clockwise to increase the distance between the hand brake lever and the handlebar.  
 Turn the adjusting screw counterclockwise to decrease the distance between the hand brake lever and the handlebar.  
 The range of adjustment is limited.  
 Only turn the adjusting screw by hand, and do not use force.  
 Do not make any adjustments while riding.

## 12.3 Checking the brake discs

**Warning**  
**Danger of accidents** Worn-out brake discs reduce the braking effect.

- Make sure that worn-out brake discs are replaced immediately. (Your authorized KTM workshop will be glad to help.)



- Check the thickness of the front and rear brake discs at multiple points on each brake disc to ensure it is at least thickness **A**.

**i Info**  
 Wear reduces the thickness of the brake disc around the area used by the brake linings.

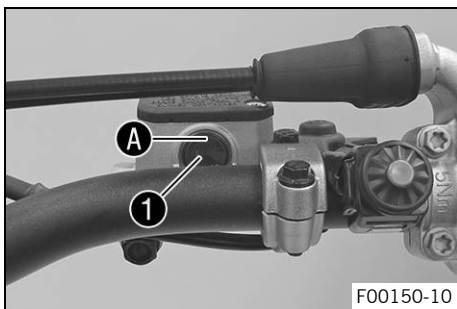
Brake discs - wear limit	
Front	2.5 mm (0.098 in)
Rear	3.5 mm (0.138 in)

- » If the brake disc thickness is less than the specified value:
  - Change the front brake discs. 🛠️
  - Change the rear brake disc. 🛠️
- Check the front and rear brake discs for damage, cracking, and deformation.
  - » If the brake disc exhibits damage, cracking, or deformation:
    - Change the front brake discs. 🛠️
    - Change the rear brake disc. 🛠️

## 12.4 Checking the brake fluid level of the front brake

- Warning**  
**Danger of accidents** An insufficient brake fluid level will cause the brake system to fail.  
 If the brake fluid level drops below the specified marking or the specified value, the brake system is leaking or the brake linings are worn down.
- Check the brake system and do not continue riding until the problem is eliminated. (Your authorized KTM workshop will be glad to help.)

- Warning**  
**Danger of accidents** Old brake fluid reduces the braking effect.
- Make sure that brake fluid for the front and rear brake is changed in accordance with the service schedule. (Your authorized KTM workshop will be glad to help.)

**Preparatory work**

- Check the front brake linings. (📖 p. 66)

**Main work**

- Move the brake fluid reservoir mounted on the handlebar to a horizontal position.
- Check the brake fluid level in level viewer **1**.
  - » If the brake fluid level has dropped below marking **A**:
    - Add front brake fluid. 🛠️ (📖 p. 65)

## 12.5 Adding front brake fluid 🛠️

- Warning**  
**Danger of accidents** An insufficient brake fluid level will cause the brake system to fail.  
 If the brake fluid level drops below the specified marking or the specified value, the brake system is leaking or the brake linings are worn down.
- Check the brake system and do not continue riding until the problem is eliminated. (Your authorized KTM workshop will be glad to help.)

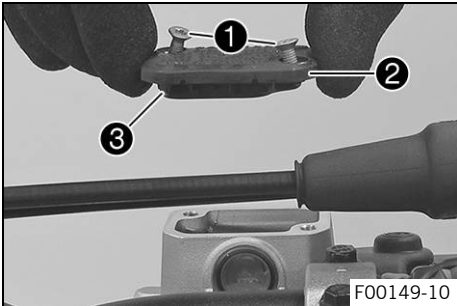
- Warning**  
**Skin irritation** Brake fluid causes skin irritation.
- Keep brake fluid out of the reach of children.
  - Wear suitable protective clothing and safety glasses.
  - Do not allow brake fluid to come into contact with the skin, the eyes or clothing.
  - Consult a doctor immediately if brake fluid has been swallowed.
  - Rinse the affected area with plenty of water in the event of contact with the skin.
  - Rinse eyes thoroughly with water immediately and consult a doctor if brake fluid comes into contact with the eyes.
  - If brake fluid spills on to your clothing, change the clothing.

- Warning**  
**Danger of accidents** Old brake fluid reduces the braking effect.
- Make sure that brake fluid for the front and rear brake is changed in accordance with the service schedule. (Your authorized KTM workshop will be glad to help.)

- Warning**  
**Environmental hazard** Hazardous substances cause environmental damage.
- Dispose of oils, grease, filters, fuel, cleaning agents, brake fluid, etc., correctly and in compliance with the applicable regulations.

**i Info**

Never use DOT 5 brake fluid. It is silicone-based and purple in color. Oil seals and brake lines are not designed for DOT 5 brake fluid.  
 Avoid contact between brake fluid and painted parts. Brake fluid attacks paint.  
 Only use clean brake fluid from a sealed container.

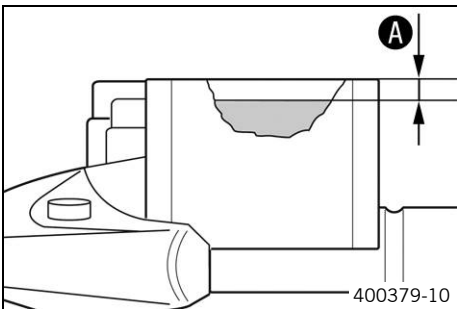


**Preparatory work**

- Check the front brake linings. (📖 p. 66)

**Main work**

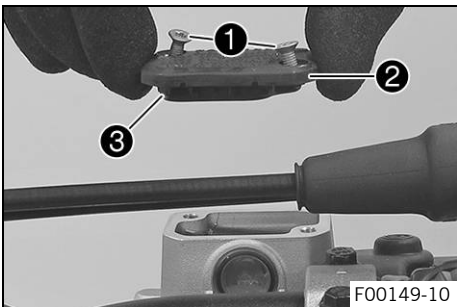
- Move the brake fluid reservoir mounted on the handlebar to a horizontal position.
- Remove screws **1**.
- Remove cover **2** with membrane **3**.



- Add brake fluid to level **A**.

**Guideline**

Level <b>A</b> (brake fluid level below reservoir rim)	5 mm (0.2 in)
Brake fluid DOT 4 / DOT 5.1 (📖 p. 107)	



- Position cover **2** with membrane **3**. Mount and tighten screws **1**.

**i Info**

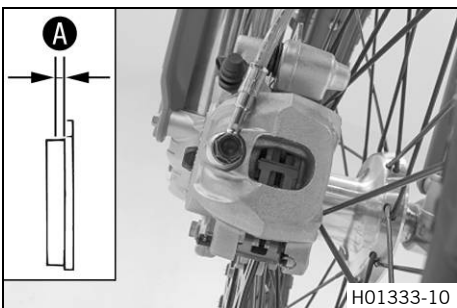
Clean up overflowed or spilled brake fluid immediately with water.

## 12.6 Checking the front brake linings

**Warning**

**Danger of accidents** Worn-out brake linings reduce the braking effect.

- Ensure that worn-out brake linings are replaced immediately. (Your authorized KTM workshop will be glad to help.)



- Check the brake linings for minimum thickness **A**.

Minimum thickness <b>A</b>	$\geq 1 \text{ mm } (\geq 0.04 \text{ in})$
----------------------------	---

- » If the minimum thickness is less than specified:
  - Change the front brake linings. (📖 p. 67)
- Check the brake linings for damage and cracking.
  - » If damage or cracking is visible:
    - Change the front brake linings. (📖 p. 67)

## 12.7 Changing the front brake linings

**Warning**  
**Danger of accidents** Incorrect maintenance will cause the brake system to fail.


- Ensure that service work and repairs are performed professionally. (Your authorized KTM workshop will be glad to help.)

**Warning**  
**Skin irritation** Brake fluid causes skin irritation.

- Keep brake fluid out of the reach of children.
- Wear suitable protective clothing and safety glasses.
- Do not allow brake fluid to come into contact with the skin, the eyes or clothing.
- Consult a doctor immediately if brake fluid has been swallowed.
- Rinse the affected area with plenty of water in the event of contact with the skin.
- Rinse eyes thoroughly with water immediately and consult a doctor if brake fluid comes into contact with the eyes.
- If brake fluid spills on to your clothing, change the clothing.

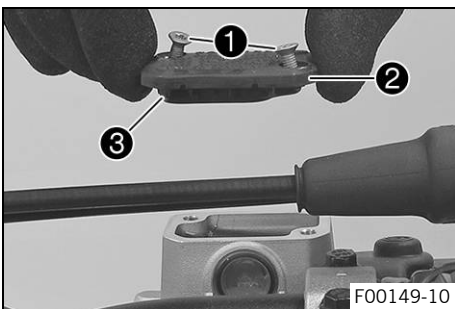
**Warning**  
**Danger of accidents** Old brake fluid reduces the braking effect.

- Make sure that brake fluid for the front and rear brake is changed in accordance with the service schedule. (Your authorized KTM workshop will be glad to help.)

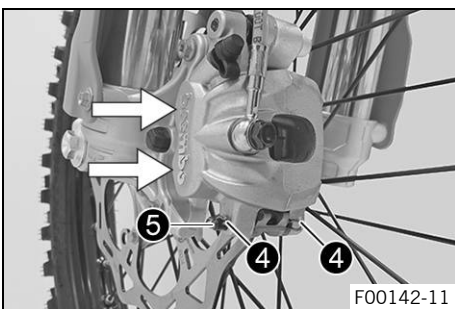
 **Warning**  
**Environmental hazard** Hazardous substances cause environmental damage.

- Dispose of oils, grease, filters, fuel, cleaning agents, brake fluid, etc., correctly and in compliance with the applicable regulations.

**i Info**  
 Never use DOT 5 brake fluid. It is silicone-based and purple in color. Oil seals and brake lines are not designed for DOT 5 brake fluid.  
 Avoid contact between brake fluid and painted parts. Brake fluid attacks paint.  
 Only use clean brake fluid from a sealed container.



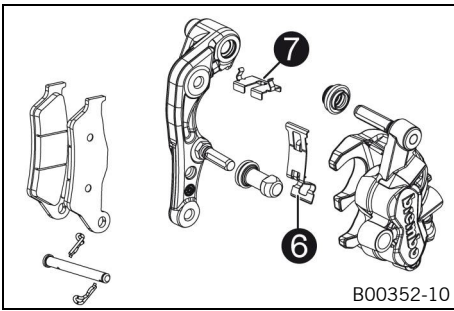
- Move the brake fluid reservoir mounted on the handlebar to a horizontal position.
- Remove screws **1**.
- Remove cover **2** with membrane **3**.



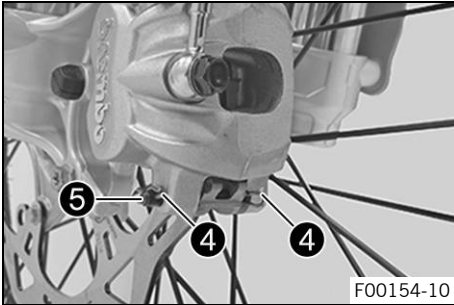
- Manually press the brake caliper toward the brake disc to push back the brake pistons. Ensure that brake fluid does not flow out of the brake fluid reservoir, if necessary extract excess.

**i Info**  
 Make sure that you do not press the brake caliper against the spokes when pushing back the brake pistons.

- Remove cotter pins **4**, pull out pin **5**, and remove the brake linings.
- Clean the brake caliper and brake caliper support.



- Check that leaf spring **6** in the brake caliper and sliding plate **7** in the brake caliper support are seated correctly.

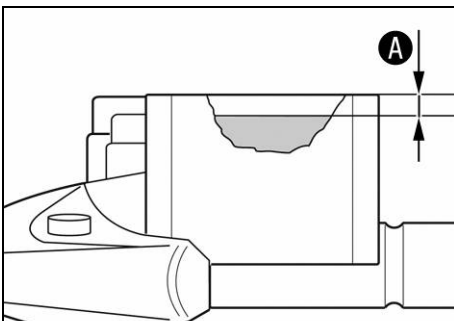


- Insert the new brake linings, insert pin **5**, and mount cotter pins **4**.

**i Info**

Always change the brake linings in pairs.

- Operate the hand brake lever repeatedly until the brake linings are in contact with the brake disc and there is a pressure point.



- Add brake fluid up to level **A**.

Guideline

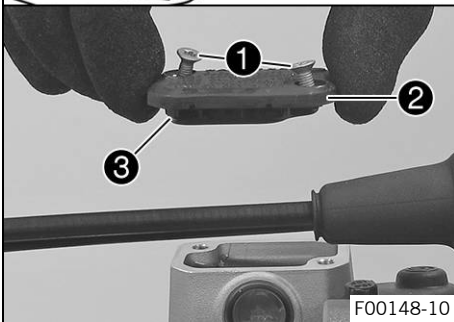
Level <b>A</b> (brake fluid level below reservoir rim)	5 mm (0.2 in)
--	---------------

Brake fluid DOT 4 / DOT 5.1 (📖 p. 107)

- Position cover **2** with membrane **3**.
- Mount and tighten screws **1**.

**i Info**

Clean up overflowed or spilled brake fluid immediately with water.



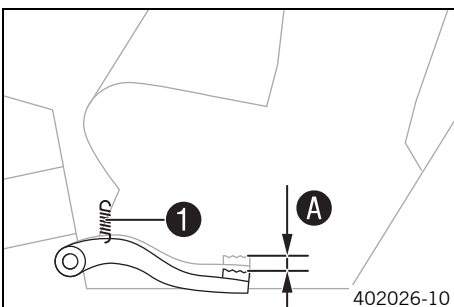
## 12.8 Checking the free travel of foot brake lever

**⚠ Warning**

**Danger of accidents** The brake system fails in the event of overheating.

If there is no free travel on the foot brake lever, pressure builds up in the brake system on the rear brake.

- Set the free travel on the foot brake lever in accordance with the specification.



- Disconnect spring **1**.
- Move the foot brake lever back and forth between the end stop and the contact to the foot brake cylinder piston and check free travel **A**.

Guideline

Free travel at foot brake lever	3... 5 mm (0.12... 0.2 in)
---------------------------------	----------------------------

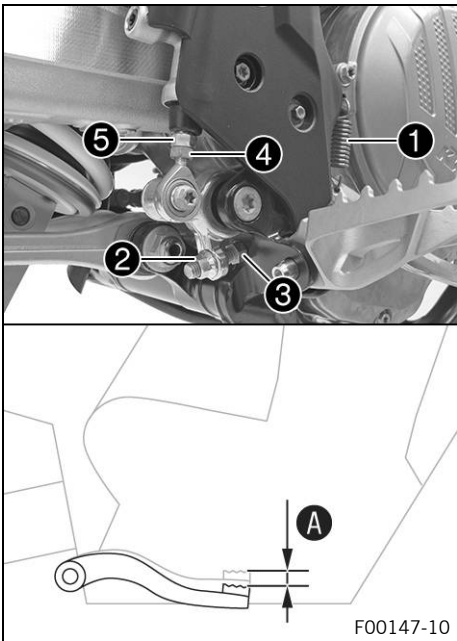
- » If the free travel does not meet specifications:
  - Adjust the basic position of the foot brake lever. 🛠 (📖 p. 69)

- Reconnect spring **1**.

## 12.9 Adjusting the basic position of the foot brake lever ↩

**Warning**  
**Danger of accidents** The brake system fails in the event of overheating.  
 If there is no free travel on the foot brake lever, pressure builds up in the brake system on the rear brake.

- Set the free travel on the foot brake lever in accordance with the specification.



- Detach spring ①.
- Loosen nut ④ and, with push rod ⑤, turn it back until you have maximum free travel.
- To adjust the basic position of the foot brake lever to individual requirements, loosen nut ② and turn screw ③ accordingly.

**i Info**  
 The range of adjustment is limited.

- Turn push rod ⑤ accordingly until you have free travel A. If necessary, adjust the basic position of the foot brake lever.

Guideline

Free travel at foot brake lever	3... 5 mm (0.12... 0.2 in)
---------------------------------	----------------------------

- Hold push rod ⑤ and tighten nut ④.

Guideline

Remaining nuts, chassis	M6	10 Nm (7.4 lbf ft)
-------------------------	----	--------------------

- Hold screw ③ and tighten nut ②.

Guideline

Nut, foot brake lever stop	M8	20 Nm (14.8 lbf ft)
----------------------------	----	---------------------

- Attach spring ①.

## 12.10 Checking the rear brake fluid level

**Warning**  
**Danger of accidents** An insufficient brake fluid level will cause the brake system to fail.  
 If the brake fluid level drops below the specified marking or the specified value, the brake system is leaking or the brake linings are worn down.

- Check the brake system and do not continue riding until the problem is eliminated. (Your authorized KTM workshop will be glad to help.)

**Warning**  
**Danger of accidents** Old brake fluid reduces the braking effect.

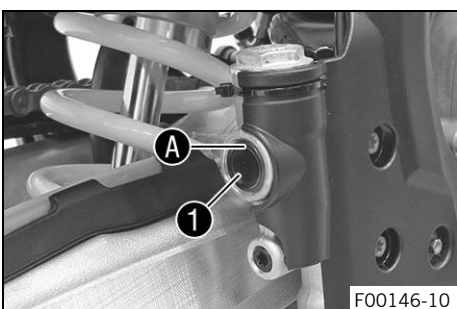
- Make sure that brake fluid for the front and rear brake is changed in accordance with the service schedule. (Your authorized KTM workshop will be glad to help.)

### Preparatory work

- Check the rear brake linings. (📖 p. 70)

### Main work

- Stand the vehicle upright.
- Check the brake fluid level in the viewer ①.
  - » If the brake fluid level drops below marking A:
    - Add rear brake fluid. ↩ (📖 p. 70)



## 12.11 Adding rear brake fluid

**Warning**  
**Danger of accidents** An insufficient brake fluid level will cause the brake system to fail.  
 If the brake fluid level drops below the specified marking or the specified value, the brake system is leaking or the brake linings are worn down.

- Check the brake system and do not continue riding until the problem is eliminated. (Your authorized KTM workshop will be glad to help.)

**Warning**  
**Skin irritation** Brake fluid causes skin irritation.

- Keep brake fluid out of the reach of children.
- Wear suitable protective clothing and safety glasses.
- Do not allow brake fluid to come into contact with the skin, the eyes or clothing.
- Consult a doctor immediately if brake fluid has been swallowed.
- Rinse the affected area with plenty of water in the event of contact with the skin.
- Rinse eyes thoroughly with water immediately and consult a doctor if brake fluid comes into contact with the eyes.
- If brake fluid spills on to your clothing, change the clothing.

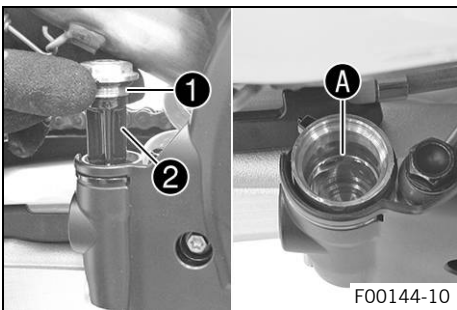
**Warning**  
**Danger of accidents** Old brake fluid reduces the braking effect.

- Make sure that brake fluid for the front and rear brake is changed in accordance with the service schedule. (Your authorized KTM workshop will be glad to help.)

**Warning**  
**Environmental hazard** Hazardous substances cause environmental damage.

- Dispose of oils, grease, filters, fuel, cleaning agents, brake fluid, etc., correctly and in compliance with the applicable regulations.

**i Info**  
 Never use DOT 5 brake fluid. It is silicone-based and purple in color. Oil seals and brake lines are not designed for DOT 5 brake fluid.  
 Avoid contact between brake fluid and painted parts. Brake fluid attacks paint.  
 Only use clean brake fluid from a sealed container.




**Preparatory work**

- Check the rear brake linings. ( p. 70)

**Main work**

- Stand the vehicle upright.
- Remove screw cap ① with membrane ② and the O-ring.
- Add brake fluid to level A.

Brake fluid DOT 4 / DOT 5.1 ( p. 107)

- Mount and tighten the screw cap with the membrane and O-ring.

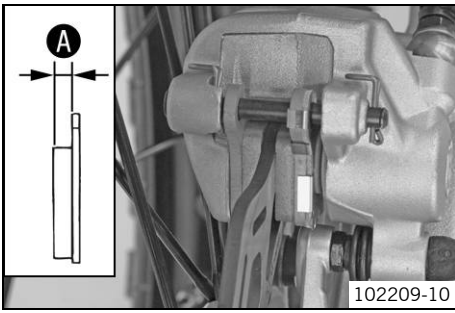
**i Info**  
 Clean up overflowed or spilled brake fluid immediately with water.

## 12.12 Checking the rear brake linings

**Warning**  
**Danger of accidents** Worn-out brake linings reduce the braking effect.

- Ensure that worn-out brake linings are replaced immediately. (Your authorized KTM workshop will be glad to help.)





- Check the brake linings for minimum thickness **A**.

Minimum thickness <b>A</b>	$\geq 1 \text{ mm } (\geq 0.04 \text{ in})$
----------------------------	---

- » If the minimum thickness is less than specified:
  - Change the rear brake linings. 🛠️ (p. 71)
- Check the brake linings for damage and cracking.
  - » If damage or cracking is visible:
    - Change the rear brake linings. 🛠️ (p. 71)

## 12.13 Changing the rear brake linings 🛠️

**Warning**  
**Danger of accidents** Incorrect maintenance will cause the brake system to fail.

- Ensure that service work and repairs are performed professionally. (Your authorized KTM workshop will be glad to help.)

**Warning**  
**Skin irritation** Brake fluid causes skin irritation.

- Keep brake fluid out of the reach of children.
- Wear suitable protective clothing and safety glasses.
- Do not allow brake fluid to come into contact with the skin, the eyes or clothing.
- Consult a doctor immediately if brake fluid has been swallowed.
- Rinse the affected area with plenty of water in the event of contact with the skin.
- Rinse eyes thoroughly with water immediately and consult a doctor if brake fluid comes into contact with the eyes.
- If brake fluid spills on to your clothing, change the clothing.

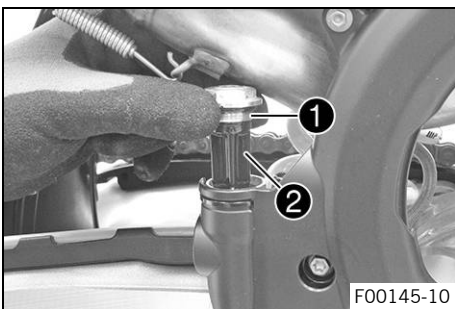
**Warning**  
**Danger of accidents** Old brake fluid reduces the braking effect.

- Make sure that brake fluid for the front and rear brake is changed in accordance with the service schedule. (Your authorized KTM workshop will be glad to help.)

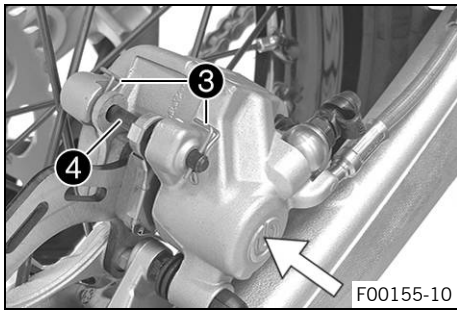
**Warning**  
**Environmental hazard** Hazardous substances cause environmental damage.

- Dispose of oils, grease, filters, fuel, cleaning agents, brake fluid, etc., correctly and in compliance with the applicable regulations.

**i Info**  
 Never use DOT 5 brake fluid. It is silicone-based and purple in color. Oil seals and brake lines are not designed for DOT 5 brake fluid.  
 Avoid contact between brake fluid and painted parts. Brake fluid attacks paint.  
 Only use clean brake fluid from a sealed container.

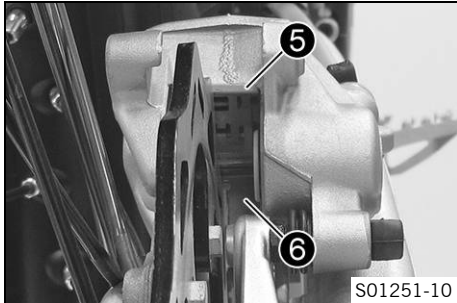


- Stand the vehicle upright.
- Remove screw cap **1** with membrane **2** and the O-ring.



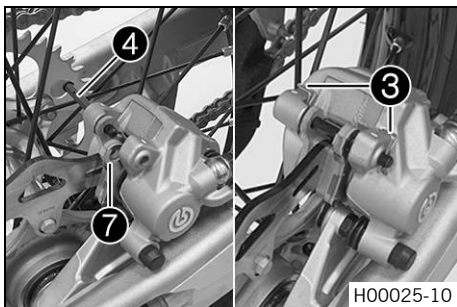
- Manually press the brake caliper to the brake disc to push back the brake piston. Ensure that brake fluid does not flow out of the brake fluid reservoir, extracting it by suction if it does.

**i Info**  
Make sure when pushing back the brake piston that you do not press the brake caliper against the spokes.



- Remove cotter pins ③, pull out pin ④, and remove the brake linings.
- Clean the brake caliper and brake caliper support.
- Check that leaf spring ⑤ in the brake caliper and sliding plate ⑥ in the brake caliper support are seated correctly.

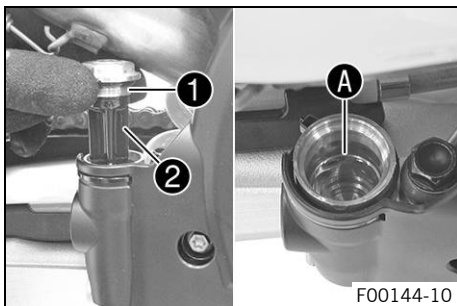
**i Info**  
The arrow on the leaf spring points in the rotation direction of the brake disc.



- Insert the new brake linings, insert pin ④, and mount cotter pins ③.

**i Info**  
Always change the brake linings in pairs.  
Make sure that decoupling plate ⑦ is mounted on the piston side brake lining.

- Operate the foot brake lever repeatedly until the brake linings are in contact with the brake disc and there is a pressure point.



- Add brake fluid to level A.

Brake fluid DOT 4 / DOT 5.1 (🗨 p. 107)

- Mount and tighten screw cap ① with membrane ② and the O-ring.

**i Info**  
Clean up overflowed or spilled brake fluid immediately with water.

## 13.1 Removing the front wheel

### Preparatory work

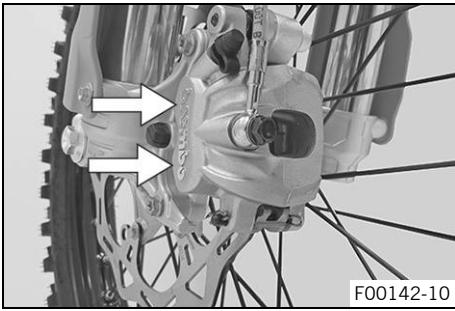
- Raise the motorcycle with a lift stand. (📖 p. 39)

### Main work

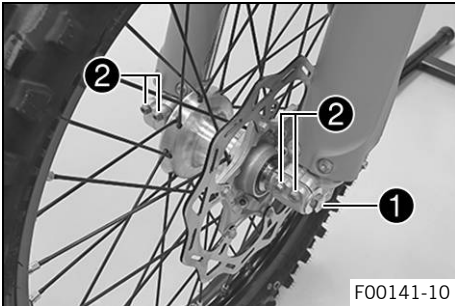
- Press the brake caliper onto the brake disc by hand in order to push back the brake pistons.

#### **i** Info

Make sure that you do not press the brake caliper against the spokes when pushing back the brake pistons.



F00142-10



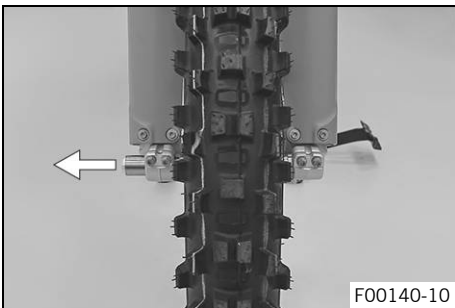
F00141-10

- Loosen screw ① by several rotations.
- Loosen screws ②.
- Press on screw ① to push the wheel spindle out of the axle clamp.
- Remove screw ①.

#### **!** Warning

**Danger of accidents** Damaged brake discs reduce the braking effect.

- Always lay the wheel down in such a way that the brake disc is not damaged.



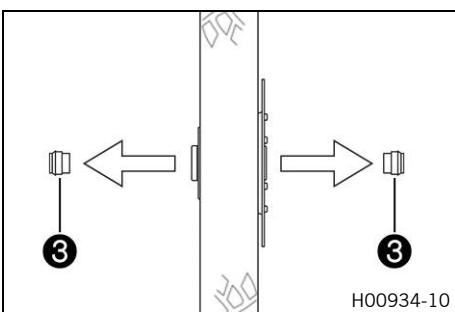
F00140-10

- Holding the front wheel, withdraw the wheel spindle. Take the front wheel out of the fork.

#### **i** Info

Do not pull the hand brake lever when the front wheel is removed.

- Remove spacers ③.



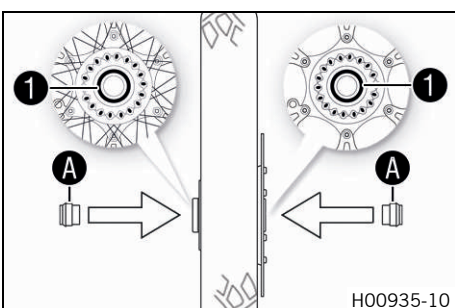
H00934-10

## 13.2 Installing the front wheel

#### **!** Warning

**Danger of accidents** Oil or grease on the brake discs reduces the braking effect.

- Always keep the brake discs free of oil and grease.
- Clean the brake discs with brake cleaner when necessary.



H00935-10

- Check the wheel bearing for damage and wear.
  - » If the wheel bearing is damaged or worn:
    - Change the front wheel bearing. 🛠️
- Clean and grease shaft seal rings ① and contact surface A of the spacers.

Long-life grease (📖 p. 109)

- Insert the spacers.

- Clean and grease the wheel spindle.

Long-life grease (🔧 p. 109)

- Position the front wheel and insert the wheel spindle.
  - ✓ The brake linings are correctly positioned.
- Mount and tighten screw ②.

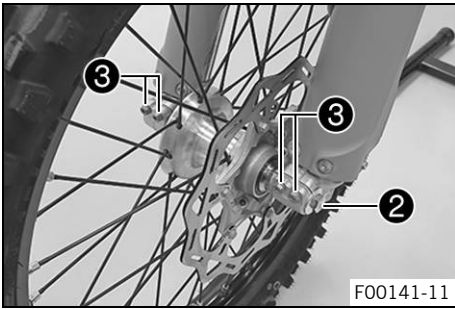
Guideline

Screw, front wheel spindle	M20x1.5	35 Nm (25.8 lbf ft)
----------------------------	---------	------------------------

- Operate the hand brake lever several times until the brake linings are seated correctly against the brake disc.
- Remove the motorcycle from the lift stand. (🔧 p. 39)
- Operate the front brake and compress the fork a few times firmly.
  - ✓ The fork legs straighten.
- Tighten screws ③.

Guideline

Screw, fork stub	M8	15 Nm (11.1 lbf ft)
------------------	----	------------------------



## 13.3 Removing the rear wheel 🛠️

### Preparatory work

- Raise the motorcycle with a lift stand. (🔧 p. 39)

### Main work

- Press the brake caliper onto the brake disc by hand in order to push back the brake piston.

**i** Info

Make sure when pushing back the brake piston that you do not press the brake caliper against the spokes.

- Remove nut ①.
- Remove chain adjuster ②. Withdraw wheel spindle ③ only enough to allow the rear wheel to be pushed forward.
- Push the rear wheel forward as far as possible. Remove the chain from the rear sprocket.

**i** Info

Cover the components to protect them against damage.

**⚠️** Warning

**Danger of accidents** Damaged brake discs reduce the braking effect.

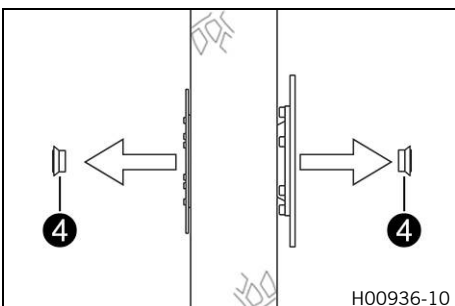
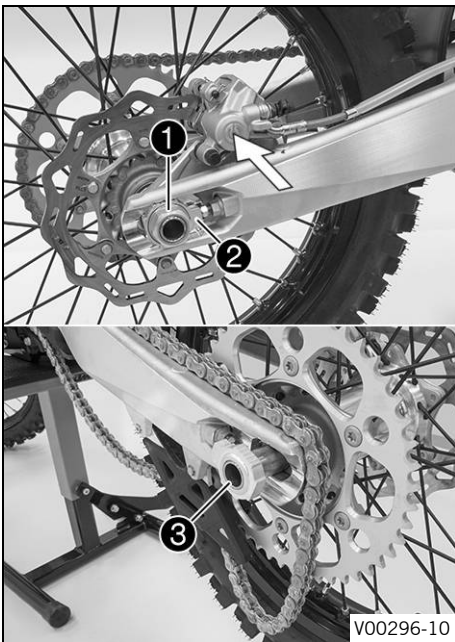
- Always lay the wheel down in such a way that the brake disc is not damaged.

- Holding the rear wheel, withdraw the wheel spindle. Take the rear wheel out of the swingarm.

**i** Info

Do not operate the foot brake lever when the rear wheel is removed.

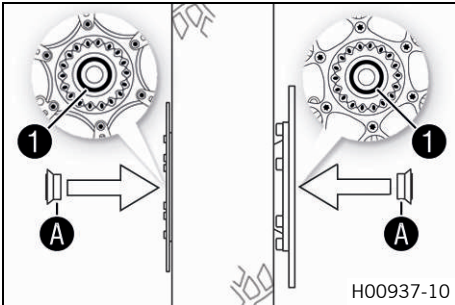
- Remove spacers ④.



## 13.4 Installing the rear wheel

**Warning**  
**Danger of accidents** Oil or grease on the brake discs reduces the braking effect.

- Always keep the brake discs free of oil and grease.
- Clean the brake discs with brake cleaner when necessary.

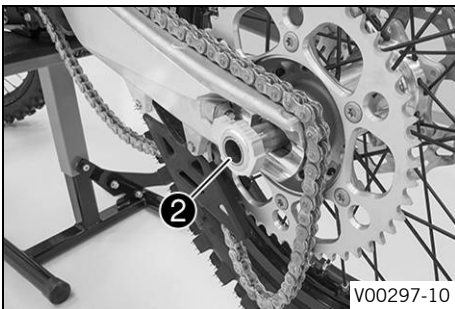


### Main work

- Check the wheel bearing for damage and wear.
  - » If the wheel bearing is damaged or worn:
    - Change the rear wheel bearing.
- Clean and grease shaft seal rings ① and contact surface A of the spacers.

Long-life grease (p. 109)

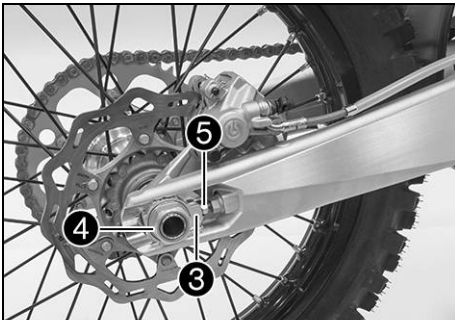
- Insert the spacers.



- Clean and grease the wheel spindle.

Long-life grease (p. 109)

- Position the rear wheel and insert wheel spindle ②.
  - ✓ The brake linings are correctly positioned.
- Mount the chain.



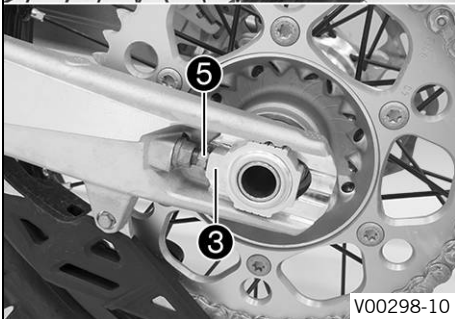
- Position chain adjuster ③. Mount nut ④, but do not tighten it yet.
- Make sure that chain adjusters ③ are fitted correctly on adjusting screws ⑤.
- Check the chain tension. (p. 57)
- Tighten nut ④.

### Guideline

Nut, rear wheel spindle	M25x1.5	80 Nm (59 lbf ft)
-------------------------	---------	-------------------

### Info

The wide adjustment range of the chain adjusters (32 mm (1.26 in)) enables different secondary ratios with the same chain length. Chain adjusters ③ can be turned by 180°.



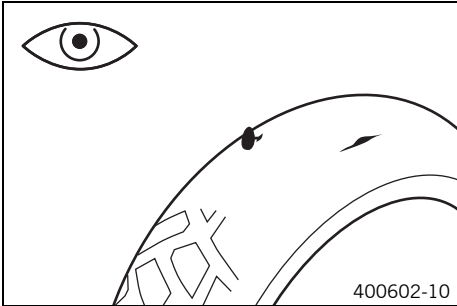
- Operate the foot brake lever repeatedly until the brake linings are in contact with the brake disc and there is a pressure point.

### Finishing work

- Remove the motorcycle from the lift stand. (p. 39)

## 13.5 Checking the tire condition

**i Info**  
 Only mount tires approved and/or recommended by KTM.  
 Other tires could have a negative effect on handling characteristics.  
 The type, condition, and air pressure of the tires all have a major impact on the handling of the motorcycle.  
 The tires mounted on the front and rear wheels must have a similar profile.  
 Worn tires have a negative effect on handling characteristics, especially on wet surfaces.



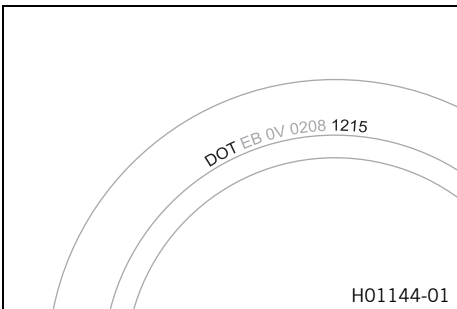
- Check the front and rear tires for cuts, run-in objects, and other damage.
  - » If the tires have cuts, run-in objects, or other damage:
    - Change the tires. 🛠️
- Check the tread depth.

**i Info**  
 Adhere to the legally required minimum tread depth.

Minimum tread depth	≥ 2 mm (≥ 0.08 in)
---------------------	--------------------

- » If the tread depth is less than the minimum tread depth:
  - Change the tires. 🛠️
- Check the tire age.

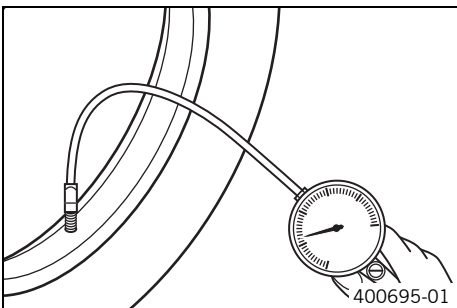
**i Info**  
 The tire date of manufacture is usually contained in the tire label and is indicated by the last four digits of the **DOT** number. The first two digits indicate the week of manufacture and the last two digits the year of manufacture.  
 KTM recommends that the tires be changed after 5 years at the latest, regardless of the actual state of wear.



- » If the tires are more than 5 years old:
  - Change the tires. 🛠️

## 13.6 Checking the tire air pressure

**i Info**  
 Low tire air pressure leads to abnormal wear and overheating of the tire.  
 Correct tire air pressure ensures optimal riding comfort and maximum tire service life.



- Remove the protection cap.
- Check the tire air pressure when the tires are cold.

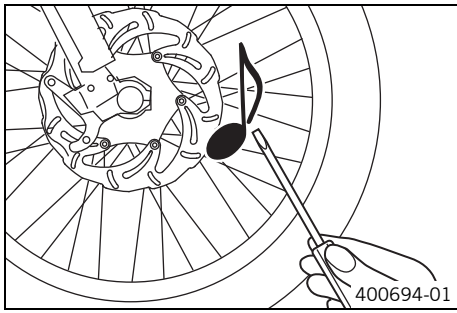
Tire air pressure off road	
Front	1.0 bar (15 psi)
Rear	1.0 bar (15 psi)

- » If the tire pressure does not meet specifications:
  - Correct the tire pressure.
- Mount the protection cap.

## 13.7 Checking spoke tension

**⚠ Warning**  
**Danger of accidents** Incorrectly tensioned spokes impair the handling characteristic and result in secondary damage.  
 The spokes break due to being overloaded if they are too tightly tensioned. If the tension in the spokes is too low, then lateral and radial run-out will form in the wheel. Other spokes will become looser as a result.

- Check spoke tension regularly, and in particular on a new vehicle. (Your authorized KTM workshop will be glad to help.)



- Strike each spoke briefly using a screwdriver blade.

**i Info**

The frequency of the sound depends on the spoke length and spoke diameter.  
 If you hear different tone frequencies from different spokes of equal length and diameter, this is an indication of different spoke tensions.

You should hear a high note.

- » If the spoke tension differs:
  - Correct the spoke tension. 🛠️
- Check the spoke torque.

Guideline

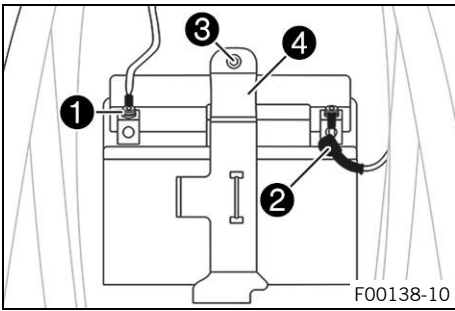
Spoke nipple, front wheel	M4.5	6 Nm (4.4 lbf ft)
Spoke nipple, rear wheel	M4.5	6 Nm (4.4 lbf ft)

Torque wrench with various accessories in set (58429094000)

## 14.1 Removing the battery ↗

**Warning**  
**Risk of injury** Batteries contain harmful substances.

- Keep batteries out of the reach of children.
- Keep sparks and open flames away from the batteries.
- Only charge batteries in well-ventilated rooms.
- Maintain a minimum clearance from inflammable materials when charging batteries.  
 Minimum clearance 1 m (3 ft)
- Do not charge deeply discharged batteries if charge is already below the minimum voltage.  
 Minimum voltage before the start of the charge 9 V
- Dispose of batteries with less than the minimum voltage correctly.



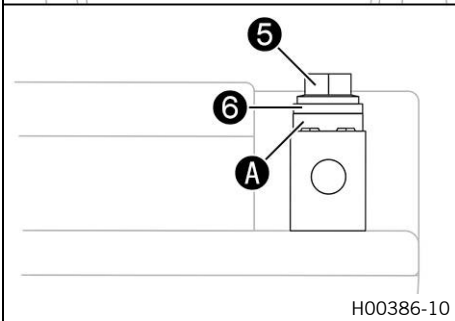
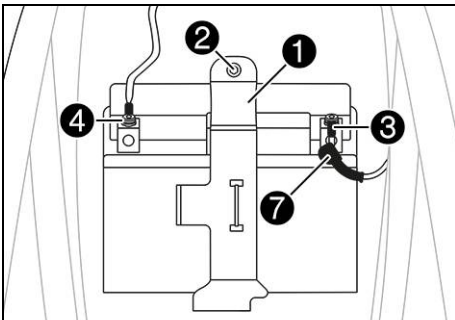
### Preparatory work

- Switch off all power consumers and switch off the engine.
- Remove the seat. (📖 p. 49)

### Main work

- Disconnect negative cable ① from the battery.
- Pull back positive terminal cover ② and disconnect the positive cable from the battery.
- Remove screw ③.
- Pull holding bracket ④ forward and remove battery toward the top.

## 14.2 Installing the battery ↗



### Main work

- Insert the battery into the battery compartment with the terminals facing forward and secure with holding bracket ①.

Battery (HJTZ5S-FP) (📖 p. 102)
--------------------------------

- Mount and tighten screw ②.

#### Guideline

Remaining screws, chassis	M6	10 Nm (7.4 lbf ft)
---------------------------	----	--------------------

- Connect positive cable ③ to the battery.

#### Guideline

Screw, battery terminal	M5	2.5 Nm (1.84 lbf ft)
-------------------------	----	-------------------------

- Connect negative cable ④ to the battery.

#### Guideline

Screw, battery terminal	M5	2.5 Nm (1.84 lbf ft)
-------------------------	----	-------------------------

Contact disks <b>A</b> must be mounted under screws ⑤ and cable sockets ⑥ with the claws toward the battery terminal.
---

- Slide positive terminal cover ⑦ over the positive terminal.

### Finishing work

- Mount the seat. (📖 p. 49)



## 14.3 Recharging the battery ↘

**Warning**  
**Risk of injury** Batteries contain harmful substances.

- Keep batteries out of the reach of children.
- Keep sparks and open flames away from the batteries.
- Only charge batteries in well-ventilated rooms.
- Maintain a minimum clearance from inflammable materials when charging batteries.  
 Minimum clearance 1 m (3 ft)
- Do not charge deeply discharged batteries if charge is already below the minimum voltage.  
 Minimum voltage before the start of the charge 9 V
- Dispose of batteries with less than the minimum voltage correctly.

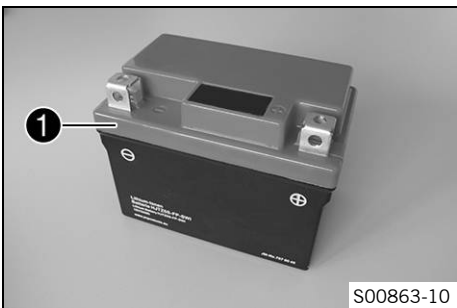
**Warning**  
**Environmental hazard** Batteries contain environmentally-hazardous materials.

- Do not dispose of batteries as household waste.
- Dispose of batteries at a collection point for used batteries.

**Warning**  
**Environmental hazard** Hazardous substances cause environmental damage.

- Dispose of oils, grease, filters, fuel, cleaning agents, brake fluid, etc., correctly and in compliance with the applicable regulations.

**i Info**  
 Even when there is no load on the battery, it discharges steadily.  
 The charging level and the method of charging are very important for the service life of the battery.  
 Rapid recharging with a high charging current shortens the service life of the battery.  
 If the charging current, charging voltage, or charging time are exceeded, the battery will be destroyed.  
 If the battery is depleted by repeated starting, the battery must be charged immediately.  
 If the battery is left in a discharged state for an extended period, it will become over-discharged and sulfated, destroying the battery.  
 The battery is maintenance-free.



- Preparatory work**
- Switch off all power consumers and switch off the engine.
  - Remove the seat. (📖 p. 49)
  - Remove the battery. ↘ (📖 p. 78)

- Main work**
- Check the battery voltage.
    - » Battery voltage: < 9 V
      - Do not charge the battery.
      - Replace the battery and dispose of the old battery properly.
    - » If the specifications have been met:  
 Battery voltage: ≥ 9 V
      - Recharge the battery.
  - Connect the battery charger to the battery. Switch on the battery charger.

**Guideline**

The charging current, charging voltage, and charging time must not be exceeded.	
Maximum charging voltage	14.4 V
Maximum charging current	3.0 A
Charge the battery regularly when the motorcycle is not in use	6 months

**i Info**  
 Never remove cover ①.

- Connect the battery charger to the battery. Switch on the battery charger.

Battery charger (58429074000)

You can also use the battery charger to test the open-circuit voltage and start potential of the battery, and to test the alternator. With this device, you cannot overcharge the battery. The charging time may be longer at low temperatures.

- Switch off the battery charger after charging and disconnect from the battery.

**Finishing work**

- Install the battery. (📖 p. 78)
- Mount the seat. (📖 p. 49)

## 14.4 Changing the main fuse

**Warning**  
**Fire hazard** Incorrect fuses overload the electrical system.

- Only use fuses with the required ampere value.
- Do not bypass or repair fuses.

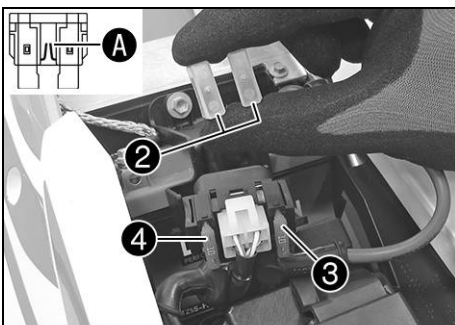
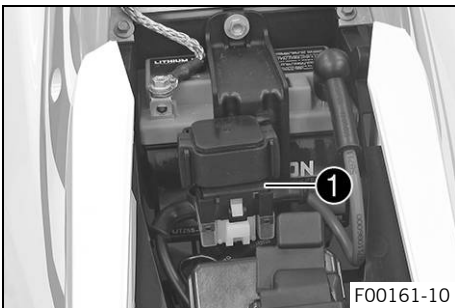
**Info**  
 The main fuse protects all power consumers of the vehicle. It is located in the starter relay housing under the seat.

**Preparatory work**

- Switch off all power consumers and switch off the engine.
- Remove the seat. (📖 p. 49)

**Main work**

- Pull starter relay ❶ from the holder.



- Take off protection caps ❷.
- Remove faulty main fuse ❸.

**Info**  
 You can recognize a defective fuse by a burned-out fuse wire **A**.  
 A spare fuse ❹ is located in the starter relay.

- Install a new main fuse.

Fuse (58011109110) (📖 p. 102)

- Check that the electrical equipment is functioning properly.

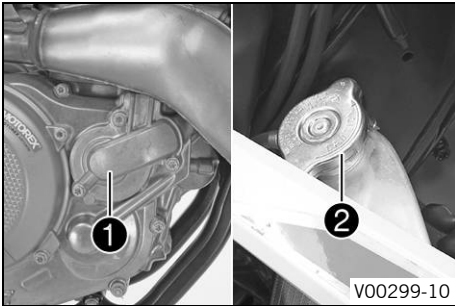
**Tip**  
 Insert a spare fuse so that it is available if needed.

- Mount the protection caps.
- Mount the starter relay onto the holder and route the cable.

**Finishing work**

- Mount the seat. (📖 p. 49)

## 15.1 Cooling system



Water pump ① in the engine circulates the coolant. The pressure resulting from the warming of the cooling system is regulated by a valve in radiator cap ②. This ensures that operating the vehicle at the specified coolant temperature will not result in a risk of malfunctions.

120 °C (248 °F)
-----------------

Cooling is effected by the air stream. The lower the speed, the less the cooling effect. Dirty cooling fins also reduce the cooling effect.

## 15.2 Checking the antifreeze and coolant level



### Warning

**Danger of scalding** During motorcycle operation, the coolant gets very hot and is under pressure.

- Do not open the radiator, the radiator hoses or other cooling system components if the engine or the cooling system are at operating temperature.
- Allow the cooling system and the engine to cool down before you open the radiator, the radiator hoses or other components of the cooling system.
- In the event of scalding, rinse the area affected immediately with lukewarm water.



### Warning

**Danger of poisoning** Coolant is toxic and a health hazard.

- Keep coolant out of the reach of children.
- Do not allow coolant to come into contact with the skin, the eyes and clothing.
- Consult a doctor immediately if coolant is swallowed.
- Rinse the affected area immediately with plenty of water in the event of contact with the skin.
- Rinse eyes thoroughly with water and consult a doctor immediately if coolant gets into the eyes.
- Change clothing if coolant spills onto your clothing.

### Condition

The engine is cold.

- Stand the motorcycle upright on a horizontal surface.
- Remove the radiator cap.
- Check the antifreeze in the coolant.

-25... -45 °C (-13... -49 °F)
-------------------------------

- » If the antifreeze in the coolant does not match the specified value:
  - Correct the antifreeze in the coolant.

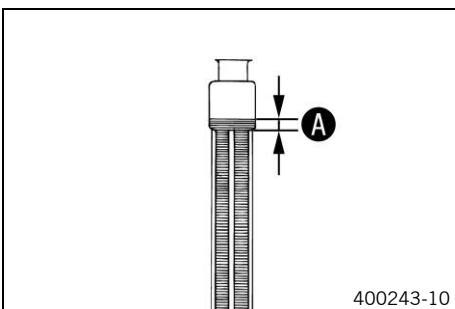
- Check the coolant level in the radiator.

Coolant level ① above the radiator fins	10 mm (0.39 in)
---	-----------------

- » If the coolant level does not match the specified value:
  - Correct the coolant level.

Coolant (🔧 p. 107)
--------------------

- Mount the radiator cap.



## 15.3 Checking the coolant level



**Warning**

**Danger of scalding** During motorcycle operation, the coolant gets very hot and is under pressure.

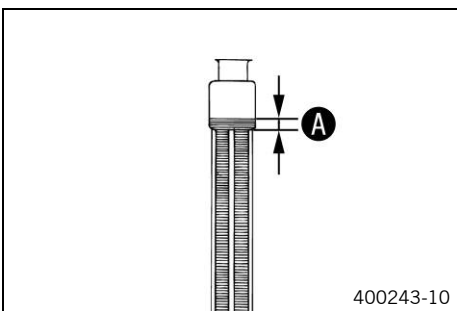
- Do not open the radiator, the radiator hoses or other cooling system components if the engine or the cooling system are at operating temperature.
- Allow the cooling system and the engine to cool down before you open the radiator, the radiator hoses or other components of the cooling system.
- In the event of scalding, rinse the area affected immediately with lukewarm water.



**Warning**

**Danger of poisoning** Coolant is toxic and a health hazard.

- Keep coolant out of the reach of children.
- Do not allow coolant to come into contact with the skin, the eyes and clothing.
- Consult a doctor immediately if coolant is swallowed.
- Rinse the affected area immediately with plenty of water in the event of contact with the skin.
- Rinse eyes thoroughly with water and consult a doctor immediately if coolant gets into the eyes.
- Change clothing if coolant spills onto your clothing.



**Condition**

The engine is cold.

- Stand the motorcycle upright on a horizontal surface.
- Remove the radiator cap.
- Check the coolant level in the radiator.

Coolant level <b>A</b> above the radiator fins	10 mm (0.39 in)
--	-----------------

- » If the coolant level does not match the specified value:
  - Correct the coolant level.

Coolant (📖 p. 107)
--------------------

- Mount the radiator cap.

## 15.4 Draining the coolant 🛠️



**Warning**

**Danger of scalding** During motorcycle operation, the coolant gets very hot and is under pressure.

- Do not open the radiator, the radiator hoses or other cooling system components if the engine or the cooling system are at operating temperature.
- Allow the cooling system and the engine to cool down before you open the radiator, the radiator hoses or other components of the cooling system.
- In the event of scalding, rinse the area affected immediately with lukewarm water.



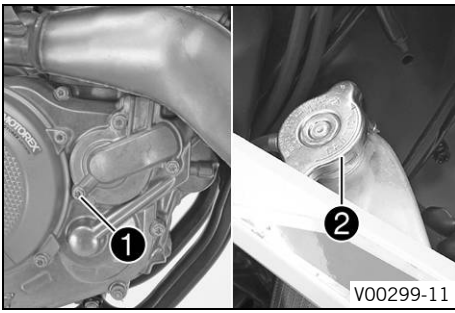
**Warning**

**Danger of poisoning** Coolant is toxic and a health hazard.

- Keep coolant out of the reach of children.
- Do not allow coolant to come into contact with the skin, the eyes and clothing.
- Consult a doctor immediately if coolant is swallowed.
- Rinse the affected area immediately with plenty of water in the event of contact with the skin.
- Rinse eyes thoroughly with water and consult a doctor immediately if coolant gets into the eyes.
- Change clothing if coolant spills onto your clothing.

**Condition**

The engine is cold.



- Position the motorcycle upright.
- Place a suitable container under the water pump cover.
- Remove screw ❶. Take off radiator cap ❷.
- Completely drain the coolant.
- Mount and tighten screw ❶ with a new seal ring.

Guideline

Screw, water pump cover	M6	10 Nm (7.4 lbf ft)
-------------------------	----	--------------------

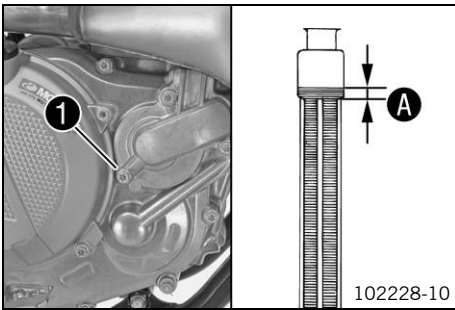
## 15.5 Refilling coolant 🐾



### Warning

**Danger of poisoning** Coolant is toxic and a health hazard.

- Keep coolant out of the reach of children.
- Do not allow coolant to come into contact with the skin, the eyes and clothing.
- Consult a doctor immediately if coolant is swallowed.
- Rinse the affected area immediately with plenty of water in the event of contact with the skin.
- Rinse eyes thoroughly with water and consult a doctor immediately if coolant gets into the eyes.
- Change clothing if coolant spills onto your clothing.



- Make sure that screw ❶ is tightened.
- Position the motorcycle upright.
- Pour coolant in up to measurement A above the radiator fins.

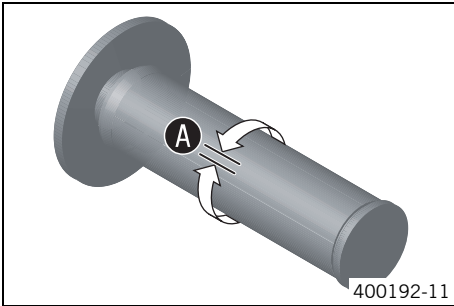
Guideline

Dimension A over the radiator fins	10 mm (0.39 in)
------------------------------------	-----------------

Coolant	1.20 l (1.27 qt.)	Coolant (📖 p. 107)
---------	-------------------	--------------------

- Mount the radiator cap.
- Take a short test ride.
- Check the coolant level. (📖 p. 82)

## 16.1 Checking the play in the throttle cable



- Check the throttle grip for smooth operation.
- Move the handlebar to the straight-ahead position. Turn the throttle grip back and forth slightly and determine the play in throttle cable **A**.

Play in throttle cable	3... 5 mm (0.12... 0.2 in)
------------------------	----------------------------

- » If the throttle cable play does not meet the specified value:
  - Adjust the play in the throttle cable. 🛠️ (p. 84)

- Push the cold start button in all the way.

When the throttle grip is turned forward, the cold start button returns to its original position.

- » If the cold start button does not return to its original position:
  - Adjust the play in the throttle cable. 🛠️ (p. 84)



### Danger

**Danger of poisoning** Exhaust gases are toxic and inhaling them may result in unconsciousness and death.

- Always make sure there is sufficient ventilation when running the engine.
- Use an effective exhaust extraction system when starting or running the engine in an enclosed space.

- Start the engine and let it run idle. Move the handlebar to and fro over the entire steering range.

The idle speed must not change.

- » If the idle speed changes:
  - Adjust the play in the throttle cable. 🛠️ (p. 84)

## 16.2 Adjusting the play in the throttle cable 🛠️



### Info

If the correct routing of the throttle cables has already been secured, the fuel tank does not need to be removed.

### Preparatory work

- Remove the seat. 🛠️ (p. 49)
- Remove the fuel tank. 🛠️ (p. 53)
- Check the throttle cable routing. 🛠️ (p. 60)

### Main work

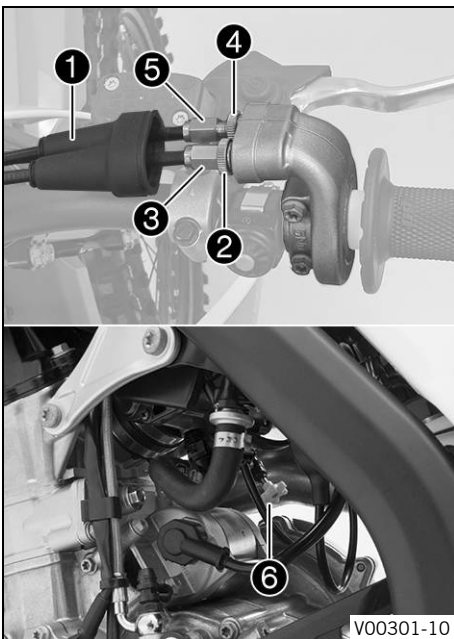
(All SX-F models)

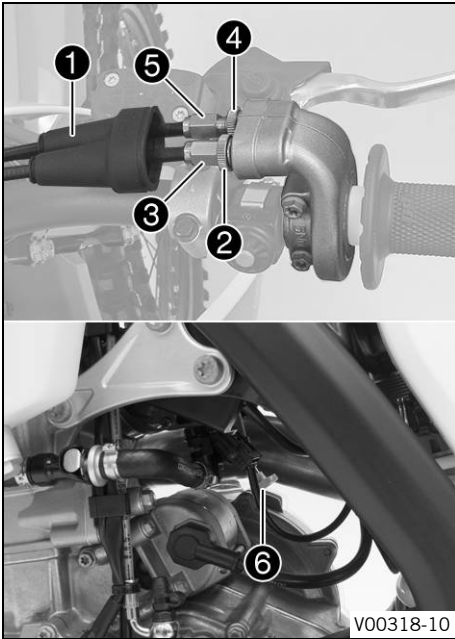
- Move the handlebar to the straight-ahead position.
- Push back sleeve **1**.
- Loosen nut **2**.
- Turn adjusting screw **3** in as far as possible.
- Loosen nut **4**.
- Push cold start button **6** all the way to the stop.
- Turn adjusting screw **5** so that the cold start button moves to the basic position when the throttle grip is turned to the front.
- Tighten nut **4**.
- Turn adjusting screw **3** so that there is play in the throttle cable at the throttle grip.

### Guideline

Play in throttle cable	3... 5 mm (0.12... 0.2 in)
------------------------	----------------------------

- Tighten nut **2**.
- Slide on sleeve **1**.





- Check the throttle grip for smooth operation.

**(XC-F US)**

- Move the handlebar to the straight-ahead position.
- Push back sleeve ①.
- Loosen nut ②.
- Turn adjusting screw ③ in as far as possible.
- Loosen nut ④.
- Push cold start button ⑥ all the way to the stop.
- Turn adjusting screw ⑤ so that the cold start button moves to the basic position when the throttle grip is turned to the front.
- Tighten nut ④.
- Turn adjusting screw ③ so that there is play in the throttle cable at the throttle grip.

**Guideline**

Play in throttle cable	3... 5 mm (0.12... 0.2 in)
------------------------	----------------------------

- Tighten nut ②.
- Slide on sleeve ①.
- Check the throttle grip for smooth operation.

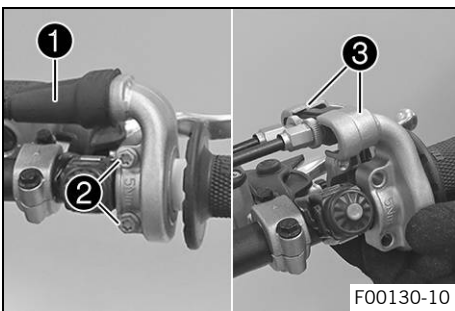
**Finishing work**

- Check the play in the throttle cable. (📖 p. 84)

## 16.3 Setting the characteristic map of the throttle response 🗡

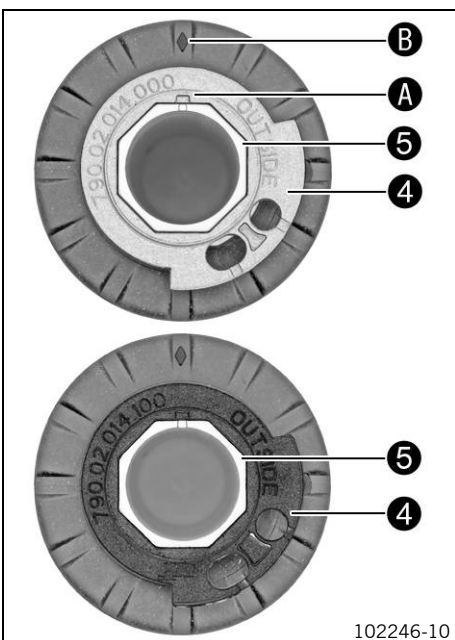
**i Info**

On the throttle grip, the characteristic map of the throttle response is changed by changing the guide plate. A guide plate with a different characteristic map is supplied.



**Main work**

- Push back sleeve ①.
- Remove screws ② and half-shells ③.
- Detach the throttle cables and take off the grip tube.



- Remove guide plate ④ from handle tube ⑤.
- Position the required guide plate on the grip tube.

**Guideline**

The label <b>OUTSIDE</b> must be visible. Marking <b>A</b> must be positioned at marking <b>B</b> .
---

**Alternative 1**

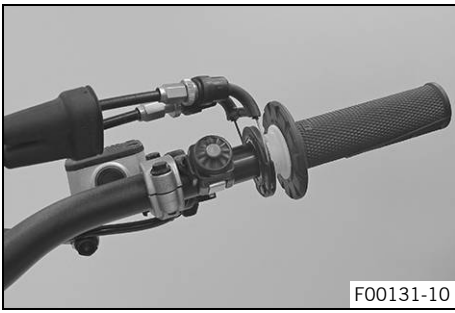
Grey guide plate (79002014000)
--------------------------------

**Alternative 2**

Black guide plate (79002014100)
---------------------------------

**i Info**

The gray guide plate opens the throttle valve more slowly. The black guide plate opens the throttle valve more quickly. The gray guide plate is mounted upon delivery.



- Clean the outside of the handlebar and the inside of the grip tube. Mount the grip tube on the handlebar.
- Attach the throttle cables to the guide plate and route correctly.
- Position half-shells ③, mount and tighten screws ②.

**Guideline**

Screw, throttle grip	M6	5 Nm (3.7 lbf ft)
----------------------	----	-------------------

- Slide on sleeve ① and check the throttle grip for ease of movement.

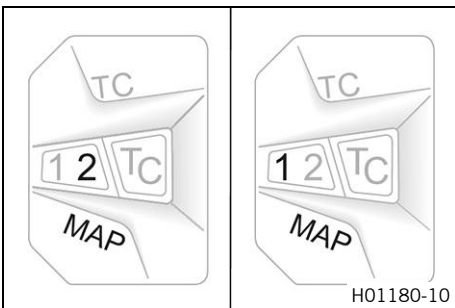
**Finishing work**

- Check the play in the throttle cable. (🗨 p. 84)

## 16.4 Changing the mapping

**i Info**

The desired engine characteristic can be activated via the **MAP** button on the combination switch. The setting most recently selected is activated again when restarting. The traction control can also be activated in each mapping using the **TC** button. The mapping can also be changed during the ride.



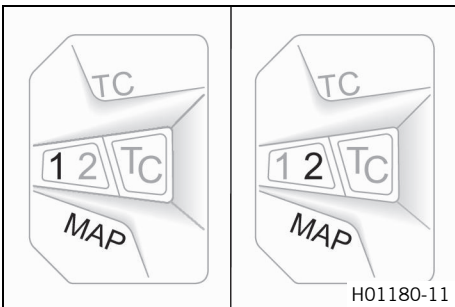
**Activating STANDARD mapping:**

- Press button **MAP** until LED 1 lights up.

**Guideline**

Engine speed	< 4,000 rpm
--------------	-------------

- ✓ STANDARD – balanced response



**Activating ADVANCED mapping:**

- Press button **MAP** until LED 2 lights up.

**Guideline**

Engine speed	< 4,000 rpm
--------------	-------------

- ✓ ADVANCED – direct response

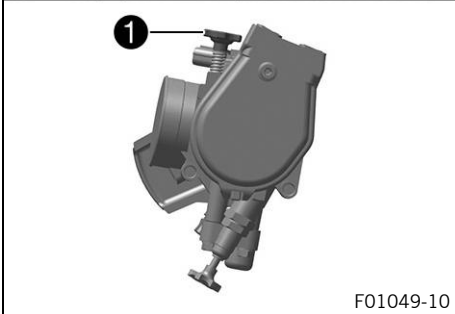
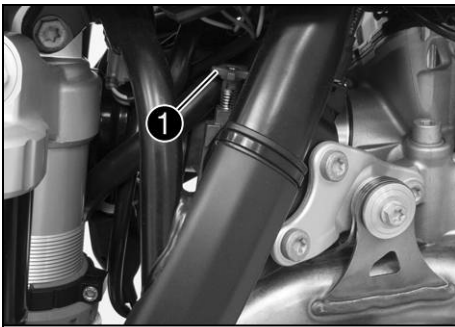
## 16.5 Adjusting the idle speed ↴

**⚠ Warning**

**Danger of accidents** The engine may go out spontaneously if the idle speed is set too low.

- Set the idle speed to the specified value. (Your authorized KTM workshop will be glad to help.)





F01049-10

- Run the engine until warm.
- ✓ The cold start button is deactivated – The cold start button is in its basic position. (📖 p. 15)



**Danger**

**Danger of poisoning** Exhaust gases are toxic and inhaling them may result in unconsciousness and death.

- Always make sure there is sufficient ventilation when running the engine.
- Use an effective exhaust extraction system when starting or running the engine in an enclosed space.

- Set the idle speed by turning idle speed adjusting screw ①.

Guideline

Idle speed	2,250... 2,350 rpm
------------	--------------------

Tachometer (45129075000)
--------------------------

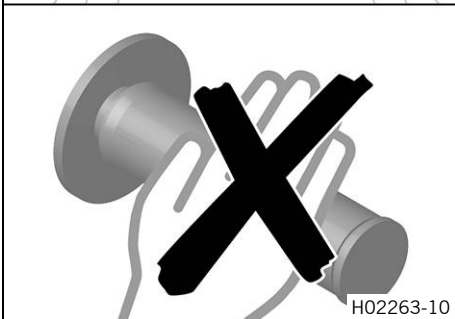
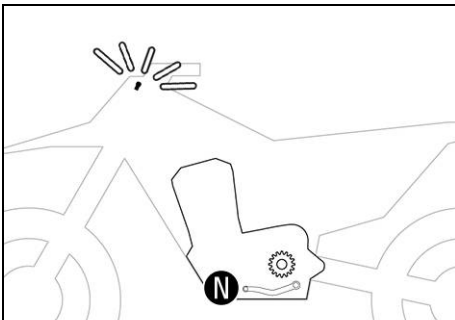


**Info**

Turning counterclockwise lowers the idle speed.  
Turning clockwise raises the idle speed.

## 16.6 Teaching the throttle valve position

**i Info**  
If the control unit detects that the throttle valve idle position needs to be retaught, then the malfunction indicator lamp flashes 2x per second.



H02263-10



**Danger**

**Danger of poisoning** Exhaust gases are toxic and inhaling them may result in unconsciousness and death.

- Always make sure there is sufficient ventilation when running the engine.
- Use an effective exhaust extraction system when starting or running the engine in an enclosed space.

- Allow the vehicle to idle.
- ✓ The malfunction indicator lamp stops flashing once teaching is completed.

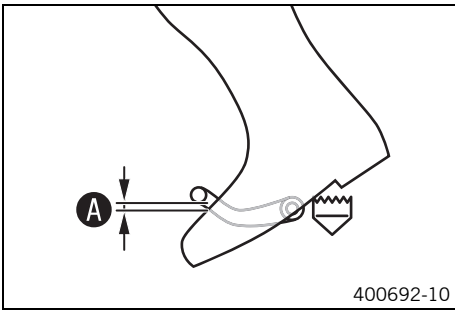


**Info**

If the engine becomes too hot, perform a cool-down ride at medium revs. Then do not switch off the engine after this, but leave it running at idle speed until teaching is completed.

## 16.7 Checking the basic position of the shift lever

**i Info**  
When driving, the shift lever must not touch the rider's boot when in the basic position. When the shift lever keeps touching the boot, the transmission will be subject to an excessive load.

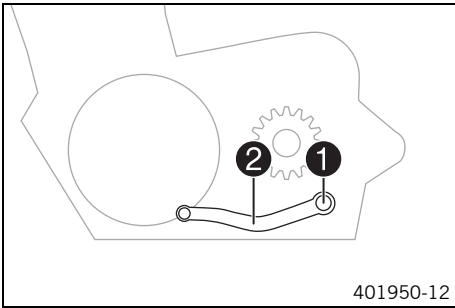


- Sit on the vehicle in the riding position and determine distance **A** between the upper edge of your boot and the shift lever.

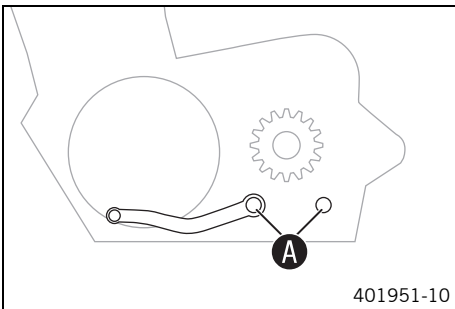
Distance between shift lever and upper edge of boot	10... 20 mm (0.39... 0.79 in)
---	-------------------------------

- » If the distance does not meet specifications:
  - Adjust the basic position of the shift lever. 🛠️ (p. 88)

## 16.8 Adjusting the basic position of the shift lever 🛠️



- Remove screw **1** with the washers and take off shift lever **2**.



- Clean gear teeth **A** of the shift lever and shift shaft.
- Mount the shift lever on the shift shaft in the required position and engage the gearing.

**i Info**  
 The range of adjustment is limited.  
 The shift lever must not come into contact with any other vehicle components during the shift procedure.

- Mount and tighten screw **1** with washers.

Guideline

Screw, shift lever	M6	14 Nm (10.3 lbf ft)	Loctite® 243™
--------------------	----	------------------------	---------------

17.1 Changing the fuel screen **Danger****Fire hazard** Fuel is highly flammable.

The fuel in the fuel tank expands when warm and can escape if overfilled.

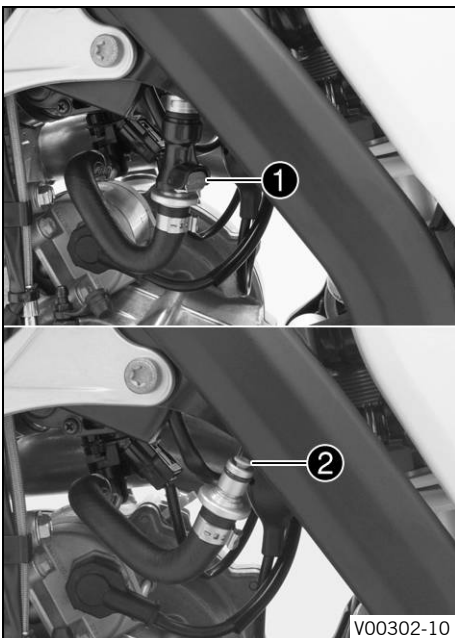
- Do not refuel the vehicle in the vicinity of open flames or lit cigarettes.
- Switch off the engine for refueling.
- Make sure that no fuel is spilled; particularly not on hot parts of the vehicle.
- If any fuel is spilled, wipe it off immediately.
- Observe the specifications for refueling.

**Warning****Danger of poisoning** Fuel is poisonous and a health hazard.

- Avoid skin, eye and clothing contact with fuel.
- Immediately consult a doctor if you swallow fuel.
- Do not inhale fuel vapors.
- In case of skin contact, rinse the affected area with plenty of water.
- Rinse the eyes thoroughly with water, and consult a doctor in case of fuel contact with the eyes.
- Change your clothing in case of fuel spills on them.

**Warning****Environmental hazard** Improper handling of fuel is a danger to the environment.

- Do not allow fuel to enter the groundwater, the soil, or the sewage system.

**(All SX-F models)**

- Clean plug-in connection **1** of the fuel line thoroughly with compressed air.

**Info**

Under no circumstances should dirt enter into the fuel line. Dirt in the fuel line clogs the injection valve!

- Disconnect the plug-in connection of the fuel line.

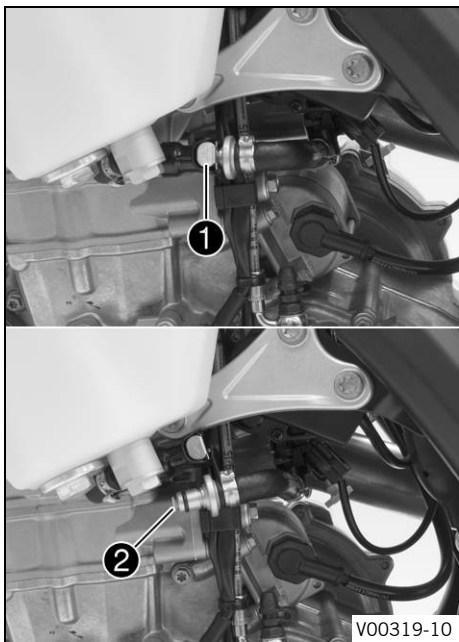
**Info**

Remaining fuel may flow out of the fuel hose.

- Pull fuel screen **2** out of the connecting piece.
- Insert the new fuel screen all the way into the connecting piece.
- Lubricate the O-ring and connect plug-in connection of the fuel line.

**Danger****Danger of poisoning** Exhaust gases are toxic and inhaling them may result in unconsciousness and death.

- Always make sure there is sufficient ventilation when running the engine.
  - Use an effective exhaust extraction system when starting or running the engine in an enclosed space.
- 
- Start the engine and check the response.



(XC-F US)

- Clean plug-in connection ① of the fuel line thoroughly with compressed air.

**i Info**  
Under no circumstances should dirt enter into the fuel line. Dirt in the fuel line clogs the injection valve!

- Disconnect the plug-in connection of the fuel line.

**i Info**  
Remaining fuel may flow out of the fuel hose.

- Pull fuel screen ② out of the connecting piece.
- Insert the new fuel screen all the way into the connecting piece.
- Lubricate the O-ring and connect plug-in connection of the fuel line.

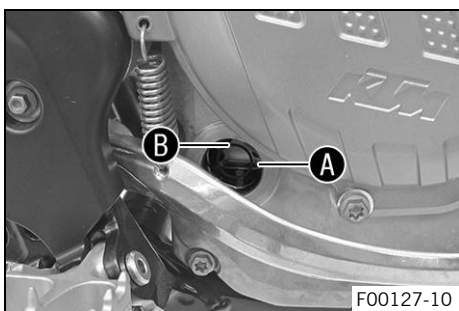
**⚠ Danger**  
**Danger of poisoning** Exhaust gases are toxic and inhaling them may result in unconsciousness and death.

- Always make sure there is sufficient ventilation when running the engine.
- Use an effective exhaust extraction system when starting or running the engine in an enclosed space.

- Start the engine and check the response.

## 17.2 Checking the engine oil level

**i Info**  
The engine oil level can be checked when the engine is cold or warm.



### Preparatory work

- Stand the motorcycle upright on a horizontal surface.

### Condition

The engine is cold.

- Check the engine oil level.

The engine oil reaches the middle of level viewer ①.

- » If the engine oil does not reach the middle of the level viewer:
  - Add engine oil. (📖 p. 93)

### Condition

The engine is at operating temperature.

- Check the engine oil level.

**i Info**  
After switching off the engine, wait one minute before checking the level.

The engine oil level is between the middle of the level viewer ① and the upper edge of the level viewer ②.

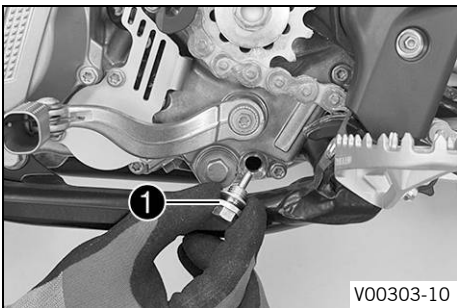
- » If the engine oil does not reach the middle of level viewer ①:
  - Add engine oil. (📖 p. 93)

## 17.3 Changing the engine oil and oil filter, cleaning the oil screens

- Warning**  
**Danger of scalding** Engine and gear oil get very hot when the motorcycle is ridden.
- Wear suitable protective clothing and safety gloves.
  - In the event of scalding, rinse the area affected immediately with lukewarm water.

- Warning**  
**Environmental hazard** Hazardous substances cause environmental damage.
- Dispose of oils, grease, filters, fuel, cleaning agents, brake fluid, etc., correctly and in compliance with the applicable regulations.

**i Info**  
 Drain the engine oil while the engine is at operating temperature.

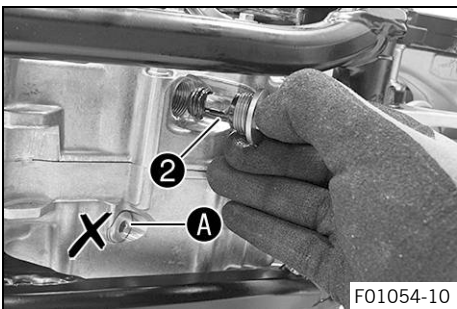


**Preparatory work**

- Park the motorcycle on a level surface.

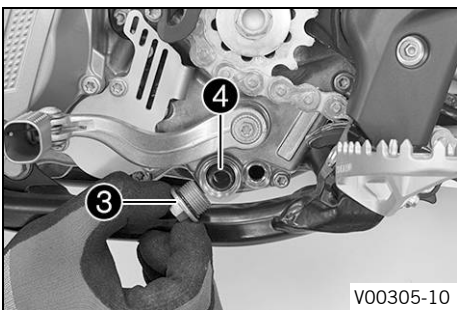
**Main work**

- Place a suitable container under the engine.
- Remove oil drain plug **1** with the magnet and seal ring.

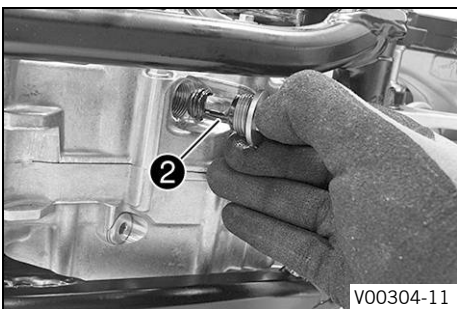


- Remove screw plug **2** with the short oil screen and the O-rings.

**i Info**  
 Do not remove screw **A**.



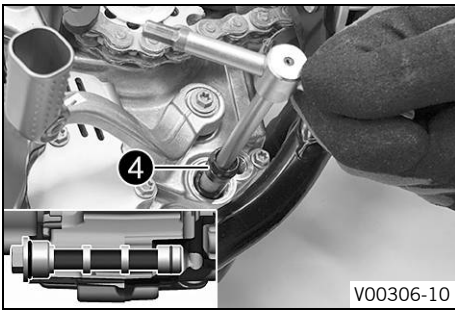
- Remove screw plug **3** with the long oil screen **4** and the O-rings.
- Completely drain the engine oil.
- Thoroughly clean the parts and sealing surfaces.



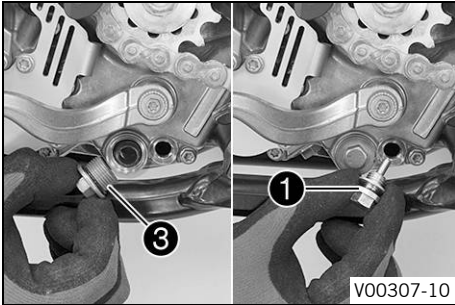
- Mount and tighten screw plug **2** with the short oil screen and the O-rings.

**Guideline**

Screw plug, oil screen	M20x1.5	15 Nm (11.1 lbf ft)
------------------------	---------	------------------------



- Position oil screen **4** with the O-rings on a pin wrench.
- Position the pin wrench through the drilled hole of the screw plug in the opposite section of the engine case.
- Push the oil screen all the way into the engine case.



- Mount and tighten screw plug **3** with the O-ring.

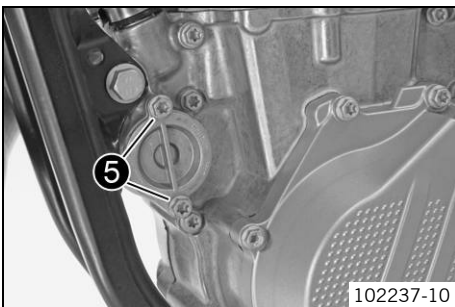
Guideline

Screw plug, oil screen	M20x1.5	15 Nm (11.1 lbf ft)
------------------------	---------	------------------------

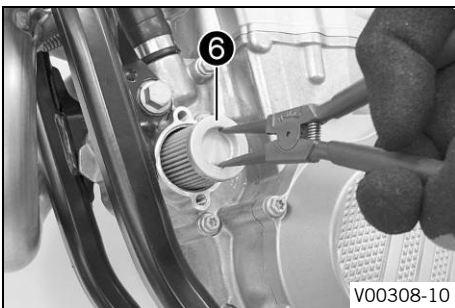
- Mount and tighten oil drain plug **1** with the magnet and a new seal ring.

Guideline

Oil drain plug with magnet	M12x1.5	20 Nm (14.8 lbf ft)
----------------------------	---------	------------------------



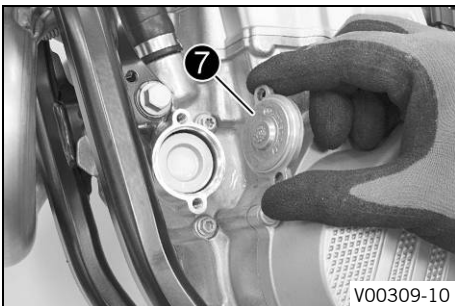
- Remove screws **5**. Remove the oil filter cover with the O-ring.



- Pull oil filter **6** out of the oil filter housing.

Circlip pliers reverse (51012011000)
--------------------------------------

- Completely drain the engine oil.
- Thoroughly clean the parts and sealing surfaces.

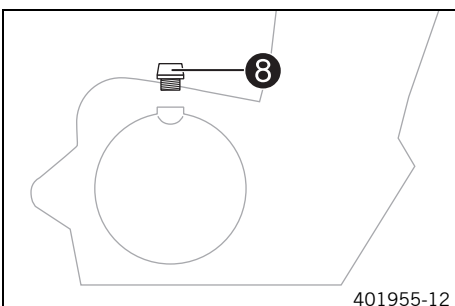


- Lay the motorcycle on its side and fill the oil filter housing to about 1/3 full with engine oil.
- Fill the oil filter with engine oil and position the oil filter in the housing.
- Oil the O-ring of the oil filter cover and mount it together with oil filter cover **7**.
- Mount and tighten the screws.

Guideline

Screw, oil filter cover	M6	10 Nm (7.4 lbf ft)
-------------------------	----	--------------------

- Stand the motorcycle upright.



- Remove filler plug **8** from the clutch cover together with the O-ring, and fill up with engine oil.

Engine oil	1.20 l (1.27 qt.)	Engine oil (SAE 10W/50) (p. 107)
------------	-------------------	----------------------------------

**i Info**

Too little engine oil or poor-quality engine oil will result in premature wear of the engine.

- Mount and tighten the filler plug together with the O-ring.

**Danger**

**Danger of poisoning** Exhaust gases are toxic and inhaling them may result in unconsciousness and death.

- Always make sure there is sufficient ventilation when running the engine.
- Use an effective exhaust extraction system when starting or running the engine in an enclosed space.

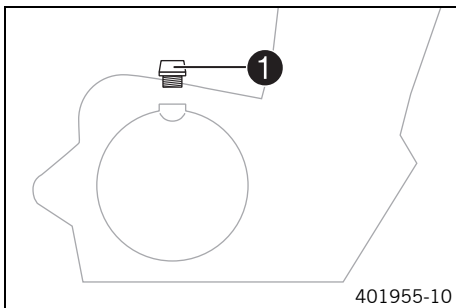
- Start the engine and check that it is oil-tight.

**Finishing work**

- Check the engine oil level. (📖 p. 90)

**17.4 Adding engine oil****Info**

Too little engine oil or poor-quality engine oil results in premature wear of the engine.



- Remove oil filler plug ① with the O-ring from the clutch cover.
- Add the same engine oil used when the last oil change was carried out.

Engine oil (SAE 10W/50) (📖 p. 107)

**Info**

For optimal performance of the engine oil, do not mix different types of engine oil.

We recommended changing the engine oil when necessary.

- Install and tighten the oil filler plug with O-ring.

**Danger**

**Danger of poisoning** Exhaust gases are toxic and inhaling them may result in unconsciousness and death.

- Always make sure there is sufficient ventilation when running the engine.
- Use an effective exhaust extraction system when starting or running the engine in an enclosed space.

- Start the engine and check that it is oil-tight.

## 18.1 Cleaning the motorcycle

**Note**

**Material damage** Components become damaged or destroyed if a pressure cleaner is used incorrectly. The high pressure forces water into the electrical components, connectors, throttle cables, and bearings, etc. Pressure which is too high causes malfunctions and destroys components.

- Do not direct the water jet directly on to electrical components, connectors, throttle cables or bearings.
- Maintain a minimum distance between the nozzle of the pressure cleaner and the component.  
Minimum clearance 60 cm (23.6 in)



**Warning**

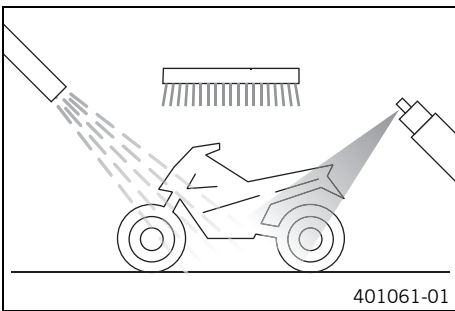
**Environmental hazard** Hazardous substances cause environmental damage.

- Dispose of oils, grease, filters, fuel, cleaning agents, brake fluid, etc., correctly and in compliance with the applicable regulations.



**Info**

If you clean the motorcycle regularly, its value and appearance will be maintained over a long period. Avoid direct sunshine on the motorcycle during cleaning.



- Close off the exhaust system to prevent water from entering.
- First remove coarse dirt particles with a gentle spray of water.
- Spray very dirty areas with a normal motorcycle cleaner and then clean with a paintbrush.

Motorcycle cleaner (📖 p. 109)



**Info**

Use warm water containing normal motorcycle cleaner and a soft sponge. Never apply motorcycle cleaner to the dry vehicle; always rinse with water first.

- After rinsing the motorcycle with a gentle spray of water, allow it to dry thoroughly.
- Remove the plug from the exhaust system.



**Warning**

**Danger of accidents** Moisture and dirt impair the brake system.

- Brake carefully several times to dry out and remove dirt from the brake linings and the brake discs.

- After cleaning, ride a short distance until the engine reaches operating temperature.



**Info**

The heat produced causes water at inaccessible locations in the engine and the brake system to evaporate.

- Push back the protection caps of the handlebar controls to allow any water that has penetrated to evaporate.
- After the motorcycle has cooled off, lubricate all moving parts and bearings.
- Clean the chain. (📖 p. 57)
- Treat bare metal parts (except for brake discs and the exhaust system) with a corrosion inhibitor.

Preserving materials for paints, metal and rubber (📖 p. 109)

- Treat all plastic parts and powder-coated parts with a mild cleaning and care agent.

Special cleaner for glossy and matte paint finishes, metal and plastic surfaces (📖 p. 109)

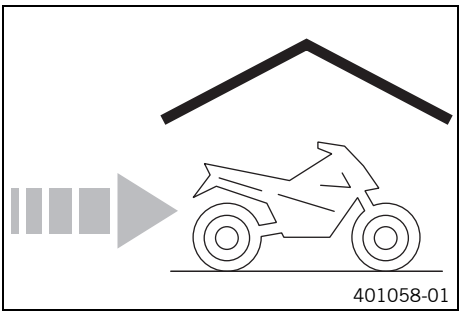


## 19.1 Storage

**Warning**  
**Danger of poisoning** Fuel is poisonous and a health hazard.

- Avoid skin, eye and clothing contact with fuel.
- Immediately consult a doctor if you swallow fuel.
- Do not inhale fuel vapors.
- In case of skin contact, rinse the affected area with plenty of water.
- Rinse the eyes thoroughly with water, and consult a doctor in case of fuel contact with the eyes.
- Change your clothing in case of fuel spills on them.
- Keep fuels correctly in a suitable canister, and out of the reach of children.

**Info**  
 If you plan to garage the motorcycle for a longer period, perform the following steps or have them performed. Before storing the motorcycle, check all parts for function and wear. If service, repairs, or replacements are necessary, you should do this during the storage period (less workshop overload). In this way, you can avoid long workshop waiting times at the start of the new season.



- When refueling for the last time before taking the motorcycle out of service, add fuel additive.
- |                          |
|--------------------------|
| Fuel additive (📖 p. 109) |
|--------------------------|
- Refuel. (📖 p. 26)
  - Clean the motorcycle. (📖 p. 94)
  - Change the engine oil and oil filter and clean the oil screens. 🛠️ (📖 p. 91)
  - Check the antifreeze and coolant level. (📖 p. 81)
  - Check the tire air pressure. (📖 p. 76)
  - Remove the battery. 🛠️ (📖 p. 78)
  - Recharge the battery. 🛠️ (📖 p. 79)

Guideline

Storage temperature of battery without direct sunshine	0... 35 °C (32... 95 °F)
--	--------------------------

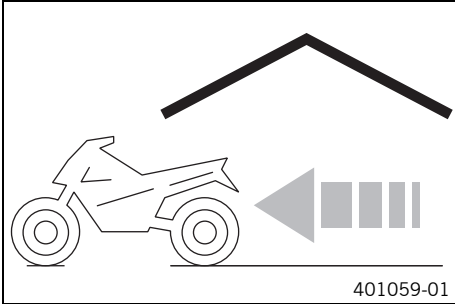
- Store the vehicle in a dry location that is not subject to large fluctuations in temperature.

**Info**  
 KTM recommends jacking up the motorcycle.

- Raise the motorcycle with a lift stand. (📖 p. 39)
- Cover the vehicle with a tarp or similar cover that is permeable to air.

**Info**  
 Do not use non-porous materials since they prevent humidity from escaping, thus causing corrosion.  
 Avoid running the engine for a short time only. Since the engine cannot warm up properly, the water vapor produced during combustion condenses and causes valves and the exhaust system to rust.

## 19.2 Preparing for use after storage



- Install the battery. (📖 p. 78)
- Remove the motorcycle from the lift stand. (📖 p. 39)
- Perform checks and maintenance measures when preparing for use. (📖 p. 22)
- Make a test ride.

Faults	Possible cause	Action
The engine does not turn when the starter button is pressed	Operating error	– Carry out the start procedure. (🔧 p. 22)
	Battery is discharged	– Recharge the battery. 🛠️ (🔧 p. 79) – Check the charging voltage. 🛠️ – Check the open-circuit current. 🛠️ – Check the stator winding of the alternator. 🛠️
	Main fuse blown	– Change the main fuse. (🔧 p. 80)
	Starter relay defective	– Check the starter relay. 🛠️
	Starter motor defective	– Check the starter motor. 🛠️
Engine turns but does not start	The plug-in connection of the fuel hose connection is not connected	– Connect the plug-in connection of the fuel line.
	Fuel screen in the fuel hose connection is clogged	– Change the fuel screen. 🛠️ (🔧 p. 89)
	Idle speed is not set correctly	– Adjust the idle speed. 🛠️ (🔧 p. 86)
	Spark plug oily or wet	– Clean and dry the spark plug, or change it if necessary.
	Electrode distance (plug gap) of spark plug too wide	– Adjust the plug gap. Guideline Spark plug electrode gap 0.8 mm (0.031 in)
	Short circuit cable in wiring harness frayed, kill switch defective	– Check the wiring harness. (visual check) – Check the electrical system.
	Defect in fuel injection system	– Read out the fault memory using the KTM diagnostics tool. 🛠️
Engine does not speed up	Defect in fuel injection system – Read out the fault memory using the KTM diagnostics tool. 🛠️	
Engine has too little power	Air filter is very dirty	– Clean the air filter and air filter box. 🛠️ (🔧 p. 51)
	Fuel filter is very dirty	– Change the fuel filter. 🛠️
	Defect in fuel injection system	– Read out the fault memory using the KTM diagnostics tool. 🛠️
	Exhaust system leaky, deformed or too little glass fiber yarn filling in main silencer	– Check exhaust system for damage. – Change the glass fiber yarn filling of the main silencer. 🛠️ (🔧 p. 53)
	Valve clearance too little	– Adjust the valve clearance. 🛠️
Engine dies during the trip	Lack of fuel – Refuel. (🔧 p. 26)	
Engine overheats	Too little coolant in cooling system	– Check the cooling system for leakage. – Check the coolant level. (🔧 p. 82)
	Too little air stream	– Switch off the engine when standing.
	Radiator fins very dirty	– Clean radiator fins.
	Foam formation in cooling system	– Drain the coolant. 🛠️ (🔧 p. 82) – Refill the coolant. 🛠️ (🔧 p. 83)
	Bent radiator hose	– Change the radiator hose. 🛠️
Malfunction indicator lamp lights up or flashes	Defect in the fuel injection system – Check the cabling for damage and the electrical plug-in connections for corrosion and damage. – Read out the fault memory using the KTM diagnostics tool. 🛠️	
High oil consumption	Engine vent hose bent	– Route the vent hose without bends or change it if necessary.
	Engine oil level too high	– Check the engine oil level. (🔧 p. 90)
	Engine oil too thin (low viscosity)	– Change the engine oil and oil filter and clean the oil screens. 🛠️ (🔧 p. 91)
	Piston or cylinder worn	– Measure the piston/cylinder mounting clearance.

Faults	Possible cause	Action
Battery is discharged	Battery is not charging	– Check the charging voltage. 🔧 – Check the stator winding of the alternator. 🔧
	Unwanted power consumer	– Check the open-circuit current. 🔧

## 21.1 Engine

Design	1-cylinder 4-stroke engine, water-cooled		
Displacement	449.9 cm <sup>3</sup> (27.455 cu in)		
Stroke	63.4 mm (2.496 in)		
Bore	95 mm (3.74 in)		
Compression ratio	12.75:1		
Idle speed	2,250... 2,350 rpm		
Control	OHC, 4 valves controlled via rocker arm		
Valve diameter, intake	40 mm (1.57 in)		
Valve diameter, exhaust	33 mm (1.3 in)		
Valve clearance			
Intake at: 20 °C (68 °F)	0.10... 0.15 mm (0.0039... 0.0059 in)		
Exhaust at: 20 °C (68 °F)	0.12... 0.17 mm (0.0047... 0.0067 in)		
Crankshaft bearing	2 cylinder roller bearing		
Conrod bearing	Slide bearing		
Piston pin bearing	Not a bearing bush - DLC-plated piston pins		
Pistons	Forged light alloy		
Piston rings	1 compression ring, 1 oil scraper ring		
Engine lubrication	Pressure circulation lubrication with two Eaton pumps		
Primary transmission	31:76		
Clutch	Multidisc clutch in oil bath, hydraulically activated		
Gearbox (SX-F EU)	4-gear, claw shifted		
Gearbox (SX-F US, XC-F US)	5-gear, claw shifted		
Transmission ratio (SX-F EU)			
First gear	16:32		
Second gear	18:30		
Third gear	20:28		
Fourth gear	22:26		
Transmission ratio (SX-F US, XC-F US)			
First gear	16:32		
Second gear	18:30		
Third gear	20:28		
Fourth gear	22:26		
Fifth gear	24:24		
Alternator	12 V, 70 W		
Ignition	Contactless controlled fully electronic ignition with digital ignition adjustment		
Spark plug	NGK LMAR9AI-8		
Spark plug electrode gap	0.8 mm (0.031 in)		
Cooling	Water cooling, permanent circulation of coolant by water pump		
Starting aid	Electric starter		

## 21.2 Engine tightening torques

Screw, oil jet for piston cooling	M4	2 Nm (1.5 lbf ft)	Loctite® 243™
Oil nozzle for clutch lubrication	M5	2 Nm (1.5 lbf ft)	Loctite® 243™
Oil nozzle for timing chain lubrication	M5	2 Nm (1.5 lbf ft)	Loctite® 243™
Oil nozzle, piston cooling	M5	2 Nm (1.5 lbf ft)	Loctite® 243™
Oil nozzle, rocker arm lubrication	M5	2 Nm (1.5 lbf ft)	Loctite® 243™
Pulse generator screw and cable retainer	M5	6 Nm (4.4 lbf ft)	Loctite® 243™
Screw, bearing retainer	M5	6 Nm (4.4 lbf ft)	Loctite® 243™
Screw, clutch spring retainer	M5	6 Nm (4.4 lbf ft)	–

Screw, gear position sensor	M5	5 Nm (3.7 lbf ft)	Loctite® 243™
Screw, locking lever	M5	6 Nm (4.4 lbf ft)	Loctite® 243™
Screw, stator	M5	6 Nm (4.4 lbf ft)	Loctite® 243™
Screw, suction pump cover	M5	6 Nm (4.4 lbf ft)	Loctite® 243™
Nut, water pump impeller	M6	6 Nm (4.4 lbf ft)	Loctite® 243™
Screw, alternator cover	M6	10 Nm (7.4 lbf ft)	–
Screw, bearing bolt, torque limiter	M6	10 Nm (7.4 lbf ft)	Loctite® 243™
Screw, camshaft support plate	M6	10 Nm (7.4 lbf ft)	Loctite® 243™
Screw, clutch cover	M6	10 Nm (7.4 lbf ft)	–
Screw, cylinder head	M6	10 Nm (7.4 lbf ft)	–
Screw, engine case	M6	10 Nm (7.4 lbf ft)	–
Screw, exhaust flange	M6	10 Nm (7.4 lbf ft)	Loctite® 243™
Screw, oil filter cover	M6	10 Nm (7.4 lbf ft)	–
Screw, pressure pump cover	M6	10 Nm (7.4 lbf ft)	Loctite® 243™
Screw, shift drum locating	M6	10 Nm (7.4 lbf ft)	Loctite® 243™
Screw, shift lever	M6	14 Nm (10.3 lbf ft)	Loctite® 243™
Screw, starter motor	M6	10 Nm (7.4 lbf ft)	–
Screw, timing chain securing guide	M6	10 Nm (7.4 lbf ft)	Loctite® 243™
Screw, timing chain tensioner	M6	10 Nm (7.4 lbf ft)	–
Screw, timing chain tensioning rail	M6	10 Nm (7.4 lbf ft)	Loctite® 243™
Screw, valve cover	M6	10 Nm (7.4 lbf ft)	–
Screw, water pump cover	M6	10 Nm (7.4 lbf ft)	–
Oil nozzle for conrod bearing lubrication	M6x0.75	4 Nm (3 lbf ft)	Loctite® 243™
Plug, oil channel	M7	9 Nm (6.6 lbf ft)	Loctite® 243™
Screw, rocker arm bearing	M7	15 Nm (11.1 lbf ft)	–
Plug, timing chain tensioner	M8	8 Nm (5.9 lbf ft)	–
Screw plug, crankshaft location	M8	10 Nm (7.4 lbf ft)	–
Plug, oil channel	M10	15 Nm (11.1 lbf ft)	Loctite® 243™
Screw, engine sprocket	M10	60 Nm (44.3 lbf ft)	Loctite® 2701™
Spark plug	M10x1	10... 12 Nm (7.4... 8.9 lbf ft)	–
Engine coolant temperature sensor	M10x1.25	12 Nm (8.9 lbf ft)	–
Screw plug, rocker arm shaft	M10x1.25	10 Nm (7.4 lbf ft)	–
Screw, cylinder head	M10x1.25	Step 1 10 Nm (7.4 lbf ft) Step 2 30 Nm (22.1 lbf ft) Step 3 50 Nm (36.9 lbf ft)	Lubricated with engine oil
Nut, rotor	M12x1	60 Nm (44.3 lbf ft)	Thread, oiled with engine oil/cone degreased
Oil drain plug with magnet	M12x1.5	20 Nm (14.8 lbf ft)	–
Plug, oil pressure regulator valve	M12x1.5	20 Nm (14.8 lbf ft)	–
Nut, inner clutch hub	M18x1.5	80 Nm (59 lbf ft)	–
Nut, primary gear	M20LHx1.5	100 Nm (73.8 lbf ft)	Loctite® 243™
Screw plug, oil screen	M20x1.5	15 Nm (11.1 lbf ft)	–

## 21.3 Capacities

### 21.3.1 Engine oil

Engine oil	1.20 l (1.27 qt.)	Engine oil (SAE 10W/50) (📖 p. 107)
------------	-------------------	------------------------------------

### 21.3.2 Coolant

Coolant	1.20 l (1.27 qt.)	Coolant (📖 p. 107)
---------	-------------------	--------------------

### 21.3.3 Fuel

Total fuel tank capacity, approx. (All SX-F models)	7 l (1.8 US gal)	Super unleaded (ROZ 95/RON 95/PON 91) (📖 p. 108)
Total fuel tank capacity, approx. (XC-F US)	8.5 l (2.25 US gal)	Super unleaded (ROZ 95/RON 95/PON 91) (📖 p. 108)

Fuel reserve, approx. (XC-F US)	1.5 l (1.6 qt.)
---------------------------------	-----------------

## 21.4 Chassis

Frame	Central tube frame made of chrome molybdenum steel tubing
Fork	<b>WP Performance Systems</b> Upside down <b>AER 48</b>
Suspension travel	
Front	310 mm (12.2 in)
Rear	300 mm (11.81 in)
Fork offset	22 mm (0.87 in)
Shock absorber	<b>WP Performance Systems</b> 5018 DCC Link
Brake system	Disc brakes, brake calipers on floating bearings
Brake discs - diameter	
Front	260 mm (10.24 in)
Rear	220 mm (8.66 in)
Brake discs - wear limit	
Front	2.5 mm (0.098 in)
Rear	3.5 mm (0.138 in)
Tire air pressure off road	
Front	1.0 bar (15 psi)
Rear	1.0 bar (15 psi)
Secondary ratio	13:48
Chain	5/8 x 1/4"
Rear sprockets available	38, 40, 42, 45, 48, 49, 50, 51, 52
Steering head angle	63.9°
Wheelbase	1,485±10 mm (58.46±0.39 in)
Ground clearance, unloaded	370 mm (14.57 in)
Seat height, unloaded	960 mm (37.8 in)
Weight without fuel, approx. (SX-F EU)	100.2 kg (220.9 lb.)
Weight without fuel, approx. (SX-F US)	100.6 kg (221.8 lb.)
Weight without fuel, approx. (XC-F US)	101.4 kg (223.5 lb.)
Maximum permissible front axle load	145 kg (320 lb.)
Maximum permissible rear axle load	190 kg (419 lb.)
Maximum permissible overall weight	335 kg (739 lb.)

## 21.5 Electrical system

Battery	HJTZ5S-FP	Lithium-ion battery Battery voltage: 12 V Nominal capacity: 2.0 Ah maintenance-free
Fuse	58011109110	10 A
Malfunction indicator lamp	LED	
Remaining indicator lamps (XC-F US)	W2.3W / socket W2x4.6d	12 V 2.3 W

## 21.6 Tires

Validity	Front tires	Rear tires
(SX-F EU)	<b>80/100 - 21 51M TT</b> Dunlop GEOMAX MX3S F	<b>110/90 - 19 62M TT</b> Dunlop GEOMAX MX3S
(SX-F US)	<b>80/100 - 21 51M TT</b> Dunlop GEOMAX MX3S F	<b>120/80 - 19 63M TT</b> Dunlop GEOMAX MX3S
(XC-F US)	<b>90/90 - 21 54M TT</b> Dunlop GEOMAX AT81F	<b>110/100 - 18 64M TT</b> Dunlop GEOMAX AT81

The tires specified represent one of the possible series production tires. Additional information is available in the Service section under:

<http://www.ktm.com>

## 21.7 Fork

### 21.7.1 SX-F EU

Fork article number	34.18.8R.09	
Fork	<b>WP Performance Systems</b> Upside down <b>AER 48</b>	
Compression damping		
Comfort	17 clicks	
Standard	12 clicks	
Sport	7 clicks	
Rebound damping		
Comfort	17 clicks	
Standard	12 clicks	
Sport	7 clicks	
Air pressure	10.8 bar (157 psi)	
Fork length	950 mm (37.4 in)	

Oil capacity external mechanism right	200 $\pm$ <sup>40</sup> / <sub>20</sub> ml (6.76 $\pm$ <sup>1.35</sup> / <sub>0.68</sub> fl. oz.)	Fork oil (SAE 4) (48601166S1) (📖 p. 107)
Oil capacity external mechanism left	200 $\pm$ <sup>40</sup> / <sub>20</sub> ml (6.76 $\pm$ <sup>1.35</sup> / <sub>0.68</sub> fl. oz.)	Fork oil (SAE 4) (48601166S1) (📖 p. 107)
Oil capacity, right cartridge	380 ml (12.85 fl. oz.)	Fork oil (SAE 4) (48601166S1) (📖 p. 107)
Grease capacity, left cartridge	11 ml (0.37 fl. oz.)	Multi-purpose grease (00062010051) (📖 p. 109)

### 21.7.2 SX-F US

Fork article number	34.18.8R.59	
Fork	<b>WP Performance Systems</b> Upside down <b>AER 48</b>	
Compression damping		
Comfort	17 clicks	
Standard	12 clicks	
Sport	7 clicks	
Rebound damping		
Comfort	17 clicks	



Standard	12 clicks	
Sport	7 clicks	
Air pressure	10.8 bar (157 psi)	
Fork length	950 mm (37.4 in)	
Oil capacity external mechanism right	200 $\pm$ <sub>20</sub> <sup>40</sup> ml (6.76 $\pm$ <sub>0.68</sub> <sup>1.35</sup> fl. oz.)	Fork oil (SAE 4) (48601166S1) (📖 p. 107)
Oil capacity external mechanism left	200 $\pm$ <sub>20</sub> <sup>40</sup> ml (6.76 $\pm$ <sub>0.68</sub> <sup>1.35</sup> fl. oz.)	Fork oil (SAE 4) (48601166S1) (📖 p. 107)
Oil capacity, right cartridge	380 ml (12.85 fl. oz.)	Fork oil (SAE 4) (48601166S1) (📖 p. 107)
Grease capacity, left cartridge	11 ml (0.37 fl. oz.)	Multi-purpose grease (00062010051) (📖 p. 109)

### 21.7.3 XC-F US

Fork article number	34.18.8R.79	
Fork	<b>WP Performance Systems</b> Upside down <b>AER 48</b>	
Compression damping		
Comfort	17 clicks	
Standard	12 clicks	
Sport	7 clicks	
Rebound damping		
Comfort	17 clicks	
Standard	12 clicks	
Sport	7 clicks	
Air pressure	9.8 bar (142 psi)	
Fork length	950 mm (37.4 in)	
Oil capacity external mechanism right	200 $\pm$ <sub>20</sub> <sup>40</sup> ml (6.76 $\pm$ <sub>0.68</sub> <sup>1.35</sup> fl. oz.)	Fork oil (SAE 4) (48601166S1) (📖 p. 107)
Oil capacity external mechanism left	200 $\pm$ <sub>20</sub> <sup>40</sup> ml (6.76 $\pm$ <sub>0.68</sub> <sup>1.35</sup> fl. oz.)	Fork oil (SAE 4) (48601166S1) (📖 p. 107)
Oil capacity, right cartridge	380 ml (12.85 fl. oz.)	Fork oil (SAE 4) (48601166S1) (📖 p. 107)
Grease capacity, left cartridge	11 ml (0.37 fl. oz.)	Multi-purpose grease (00062010051) (📖 p. 109)

## 21.8 Shock absorber

### 21.8.1 SX-F EU

Shock absorber article number	18.18.7R.09	
Shock absorber	<b>WP Performance Systems</b> 5018 DCC Link	
Compression damping, low-speed		
Comfort	17 clicks	
Standard	15 clicks	
Sport	13 clicks	
Compression damping, high-speed		
Comfort	2 turns	
Standard	1.5 turns	
Sport	1 turn	
Rebound damping		
Comfort	17 clicks	
Standard	15 clicks	
Sport	13 clicks	
Spring preload	10 mm (0.39 in)	
Spring rate		
Weight of rider: 65... 75 kg (143... 165 lb.)	42 N/mm (240 lb/in)	
Weight of rider: 75... 85 kg (165... 187 lb.)	45 N/mm (257 lb/in)	

Weight of rider: 85... 95 kg (187... 209 lb.)	48 N/mm (274 lb/in)
Spring length	260 mm (10.24 in)
Gas pressure	10 bar (145 psi)
Static sag	35 mm (1.38 in)
Riding sag	105 mm (4.13 in)
Fitted length	477 mm (18.78 in)
Shock absorber oil	Shock absorber fluid (SAE 2.5) (50180751S1) (📖 p. 107)

## 21.8.2 SX-F US

Shock absorber article number	18.18.7R.59
Shock absorber	<b>WP Performance Systems</b> 5018 DCC Link
Compression damping, low-speed	
Comfort	17 clicks
Standard	15 clicks
Sport	13 clicks
Compression damping, high-speed	
Comfort	2.5 turns
Standard	2 turns
Sport	1.5 turns
Rebound damping	
Comfort	17 clicks
Standard	15 clicks
Sport	13 clicks
Spring preload	6 mm (0.24 in)
Spring rate	
Weight of rider: 65... 75 kg (143... 165 lb.)	42 N/mm (240 lb/in)
Weight of rider: 75... 85 kg (165... 187 lb.)	45 N/mm (257 lb/in)
Weight of rider: 85... 95 kg (187... 209 lb.)	48 N/mm (274 lb/in)
Spring length	260 mm (10.24 in)
Gas pressure	10 bar (145 psi)
Static sag	35 mm (1.38 in)
Riding sag	105 mm (4.13 in)
Fitted length	477 mm (18.78 in)
Shock absorber oil	Shock absorber fluid (SAE 2.5) (50180751S1) (📖 p. 107)

## 21.8.3 XC-F US

Shock absorber article number	18.18.7R.79
Shock absorber	<b>WP Performance Systems</b> 5018 DCC Link
Compression damping, low-speed	
Comfort	17 clicks
Standard	15 clicks
Sport	13 clicks
Compression damping, high-speed	
Comfort	2.5 turns
Standard	2 turns
Sport	1.5 turns
Rebound damping	
Comfort	17 clicks
Standard	15 clicks
Sport	13 clicks
Spring preload	10 mm (0.39 in)

Spring rate	
Weight of rider: 65... 75 kg (143... 165 lb.)	39 N/mm (223 lb/in)
Weight of rider: 75... 85 kg (165... 187 lb.)	45 N/mm (257 lb/in)
Weight of rider: 85... 95 kg (187... 209 lb.)	48 N/mm (274 lb/in)
Spring length	260 mm (10.24 in)
Gas pressure	10 bar (145 psi)
Static sag	35 mm (1.38 in)
Riding sag	105 mm (4.13 in)
Fitted length	477 mm (18.78 in)
Shock absorber oil	Shock absorber fluid (SAE 2.5) (50180751S1) (📖 p. 107)

## 21.9 Chassis tightening torques

Screw, air filter box cover	EJOT PT® K60x20-Z	3 Nm (2.2 lbf ft)	–
Screw, combination switch	EJOT PT® K50x18	3 Nm (2.2 lbf ft)	–
Screw, intake air temperature sensor	EJOT DELTA PT® 45x12-Z	1 Nm (0.7 lbf ft)	–
Screw, pressure regulator	EJOT PT® K60x25-Z	3 Nm (2.2 lbf ft)	–
Fitting, E-starter button	M3	1 Nm (0.7 lbf ft)	–
Fitting, kill switch	M3	1 Nm (0.7 lbf ft)	–
Screw, fixed grip	M4	5 Nm (3.7 lbf ft)	Loctite® 243™
Screw, service hour counter	M4	1 Nm (0.7 lbf ft)	–
Spoke nipple, front wheel	M4.5	6 Nm (4.4 lbf ft)	–
Spoke nipple, rear wheel	M4.5	6 Nm (4.4 lbf ft)	–
Remaining nuts, chassis	M5	5 Nm (3.7 lbf ft)	–
Remaining screws, chassis	M5	5 Nm (3.7 lbf ft)	–
Screw, battery terminal	M5	2.5 Nm (1.84 lbf ft)	–
Screw, frame protector	M5	3 Nm (2.2 lbf ft)	–
Screw, shock absorber adjusting ring	M5	5 Nm (3.7 lbf ft)	–
Nut, cable on starter motor	M6	4 Nm (3 lbf ft)	–
Remaining nuts, chassis	M6	10 Nm (7.4 lbf ft)	–
Remaining screws, chassis	M6	10 Nm (7.4 lbf ft)	–
Screw, ball joint of push rod on foot brake cylinder	M6	10 Nm (7.4 lbf ft)	Loctite® 243™
Screw, chain sliding guard	M6	6 Nm (4.4 lbf ft)	Loctite® 243™
Screw, front brake disc	M6	14 Nm (10.3 lbf ft)	Loctite® 243™
Screw, rear brake disc	M6	14 Nm (10.3 lbf ft)	Loctite® 243™
Screw, throttle grip	M6	5 Nm (3.7 lbf ft)	–
Fuel connection on fuel tank	M8	10 Nm (7.4 lbf ft)	–
Nut, foot brake lever stop	M8	20 Nm (14.8 lbf ft)	–
Nut, rear sprocket screw	M8	35 Nm (25.8 lbf ft)	Loctite® 2701™
Nut, rim lock	M8	12 Nm (8.9 lbf ft)	–
Remaining nuts, chassis	M8	25 Nm (18.4 lbf ft)	–
Remaining screws, chassis	M8	25 Nm (18.4 lbf ft)	–
Screw side stand attachment (XC-F US)	M8	35 Nm (25.8 lbf ft)	Loctite® 2701™
Screw, bottom triple clamp	M8	12 Nm (8.9 lbf ft)	–
Screw, chain sliding piece	M8	15 Nm (11.1 lbf ft)	–
Screw, engine brace	M8	25 Nm (18.4 lbf ft)	Loctite® 2701™
Screw, fork stub	M8	15 Nm (11.1 lbf ft)	–
Screw, front brake caliper	M8	25 Nm (18.4 lbf ft)	Loctite® 243™
Screw, handlebar clamp	M8	20 Nm (14.8 lbf ft)	–
Screw, manifold on cylinder head brace	M8	15 Nm (11.1 lbf ft)	–

Screw, subframe	M8	35 Nm (25.8 lbf ft)	<b>Loctite® 2701™</b>
Screw, top steering stem	M8	20 Nm (14.8 lbf ft)	<b>Loctite® 243™</b>
Screw, top triple clamp	M8	17 Nm (12.5 lbf ft)	–
Engine carrying screw	M10	60 Nm (44.3 lbf ft)	–
Remaining nuts, chassis	M10	45 Nm (33.2 lbf ft)	–
Remaining screws, chassis	M10	45 Nm (33.2 lbf ft)	–
Screw, bottom shock absorber	M10	60 Nm (44.3 lbf ft)	<b>Loctite® 2701™</b>
Screw, handlebar support	M10	40 Nm (29.5 lbf ft)	<b>Loctite® 243™</b>
Screw, top shock absorber	M10	60 Nm (44.3 lbf ft)	<b>Loctite® 2701™</b>
Nut, fuel pump	M12	15 Nm (11.1 lbf ft)	–
Nut, frame to linkage lever	M14x1.5	80 Nm (59 lbf ft)	–
Nut, linkage lever on swingarm	M14x1.5	80 Nm (59 lbf ft)	–
Nut, linkage lever to angle lever	M14x1.5	80 Nm (59 lbf ft)	–
Nut, swingarm pivot	M16x1.5	100 Nm (73.8 lbf ft)	–
Screw, front wheel spindle	M20x1.5	35 Nm (25.8 lbf ft)	–
Screw, top steering head	M20x1.5	12 Nm (8.9 lbf ft)	–
Screw-in nozzles, cooling system	M20x1.5	12 Nm (8.9 lbf ft)	<b>Loctite® 243™</b>
Nut, rear wheel spindle	M25x1.5	80 Nm (59 lbf ft)	–

## Brake fluid DOT 4 / DOT 5.1

### Standard/classification

- DOT

### Guideline

- Use only brake fluid that complies with the specified standard (see specifications on the container) and that exhibits the corresponding properties.

### Recommended supplier

#### Castrol

- REACT PERFORMANCE DOT 4

#### Motorex®

- Brake Fluid DOT 5.1

## Coolant

### Guideline

- Only use high-grade, silicate-free coolant with corrosion inhibitor additive for aluminum motors. Low grade and unsuitable antifreeze causes corrosion, deposits and frothing.
- Do not use pure water as only coolant is able to meet the requirements needed in terms of corrosion protection and lubrication properties.
- Only use coolant that complies with the requirements stated (see specifications on the container) and that has the relevant properties.

Antifreeze protection to at least	-25 °C (-13 °F)
-----------------------------------	-----------------

The mixture ratio must be adjusted to the necessary antifreeze protection. Use distilled water if the coolant needs to be diluted.

The use of premixed coolant is recommended.

Observe the coolant manufacturer specifications for antifreeze protection, dilution and miscibility (compatibility) with other coolants.

### Recommended supplier

#### Motorex®

- COOLANT M3.0

## Engine oil (SAE 10W/50)

### Standard/classification

- JASO T903 MA (📖 p. 111)
- SAE (📖 p. 111) (SAE 10W/50)

### Guideline

- Use only engine oils that comply with the specified standards (see specifications on the container) and that possess the corresponding properties.

Synthetic engine oil
----------------------

### Recommended supplier

#### Motorex®

- Cross Power 4T

## Fork oil (SAE 4) (48601166S1)

### Standard/classification

- SAE (📖 p. 111) (SAE 4)

### Guideline

- Use only oils that comply with the specified standards (see specifications on the container) and that exhibit the corresponding properties.

## Shock absorber fluid (SAE 2.5) (50180751S1)

### Standard/classification

- SAE (📖 p. 111) (SAE 2.5)

### Guideline

- Use only oils that comply with the specified standards (see specifications on the container) and that exhibit the corresponding properties.

## Super unleaded (ROZ 95/RON 95/PON 91)

### Standard/classification

- DIN EN 228 (ROZ 95/RON 95/PON 91)

### Guideline

- Only use unleaded super fuel that matches or is equivalent to the specified fuel grade.
- Fuel with an ethanol content of up to 10 % (E10 fuel) is safe to use.



### Info

Do **not** use fuel containing methanol (e. g. M15, M85, M100) or more than 10 % ethanol (e. g. E15, E25, E85, E100).

## Air filter cleaner

Recommended supplier

Motorex®

- Racing Bio Dirt Remover

## Chain cleaner

Recommended supplier

Motorex®

- Chain Clean

## Fuel additive

Recommended supplier

Motorex®

- Fuel Stabilizer

## High viscosity grease

Recommended supplier

SKF®

- LGHB 2

## Long-life grease

Recommended supplier

Motorex®

- Bike Grease 2000

## Motorcycle cleaner

Recommended supplier

Motorex®

- Moto Clean

## Multi-purpose grease (00062010051)

Recommended supplier

Klüber Lubrication®

- CENTOPLEX 2 EP

## Off-road chain spray

Recommended supplier

Motorex®

- Chainlube Offroad

## Oil for foam air filter

Recommended supplier

Motorex®

- Racing Bio Liquid Power

## Preserving materials for paints, metal and rubber

Recommended supplier

Motorex®

- Moto Protect

## Special cleaner for glossy and matte paint finishes, metal and plastic surfaces

Recommended supplier

Motorex®

- Quick Cleaner

### Universal oil spray

Recommended supplier

Motorex®

– Joker 440 Synthetic



## JASO T903 MA

Different technical development directions required a separate specification for 4-stroke motorcycles – the **JASO T903 MA** standard. Earlier, engine oils from the automobile industry were used for 4-stroke motorcycles because there was no separate motorcycle specification.

Whereas long service intervals are demanded for automobile engines, the focus for motorcycle engines is on high performance at high engine speeds.

In most motorcycle engines, the transmission and the clutch are lubricated with the same oil.

The **JASO MA** standard meets these special requirements.

## SAE



The SAE viscosity classes were defined by the Society of Automotive Engineers and are used for classifying oils according to their viscosity. The viscosity describes only one property of oil and says nothing about quality.

OBD	On-board diagnosis	Vehicle system that monitors emission- and safety-related values
-----	--------------------	--

Art. no.	Article number
ca.	circa
cf.	compare
e.g.	for example
etc.	et cetera
i.a.	inter alia
no.	number
poss.	possibly

## 27.1 Yellow and orange symbols

Yellow and orange symbols indicate an error condition that requires prompt intervention. Active driving aids are also represented by yellow or orange symbols.

	Malfunction indicator lamp lights up/ flashes orange – The OBD has detected an emission- or safety-critical fault.
	Fuel level warning lamp lights up orange – The fuel level has reached the reserve mark.

<b>A</b>	
<b>Accessories</b>	8
<b>Air filter</b>	
cleaning	51
installing	51
removing	50
<b>Air filter box</b>	
cleaning	51
sealing	52
<b>Air filter box cover</b>	
installing	50
removing	49
securing	52
<b>Air suspension AER 48</b>	29
<b>Antifreeze</b>	
checking	81
<b>Auxiliary substances</b>	8
<b>B</b>	
<b>Basic chassis setting</b>	
checking with rider's weight	29
<b>Battery</b>	
installing	78
recharging	79
removing	78
starting power	19
<b>Brake discs</b>	
checking	64
<b>Brake fluid</b>	
front brake, adding	65
rear brake, adding	70
<b>Brake fluid level</b>	
front brake, checking	65
rear brake, checking	69
<b>Brake linings</b>	
front brake, checking	66
of front brake, changing	67
rear brake, changing	71
rear brake, checking	70
<b>C</b>	
<b>Capacity</b>	
coolant	83, 101
engine oil	92, 101
fuel	26, 101
<b>Chain</b>	
checking	58
cleaning	57
<b>Chain guide</b>	
checking	58
<b>Chain tension</b>	
adjusting	58
checking	57
<b>Characteristic map of the throttle response</b>	
adjusting	85
<b>Chassis number</b>	11

<b>Clutch</b>	
fluid level, checking/correcting	62
fluid, changing	62
<b>Clutch lever</b>	12
basic position, adjusting	61
<b>Cold start button</b>	15
<b>Compression damping</b>	
fork, adjusting	36
<b>Coolant</b>	
antifreeze and coolant level, checking	81
checking the level	82
draining	82
refilling	83
<b>Cooling system</b>	81
<b>Customer service</b>	8
<b>D</b>	
<b>Difficult riding conditions</b>	19
dry sand	20
high temperature	21
low temperature	21
muddy surfaces	21
slow speed	21
snow	21
wet sand	20
wet surfaces	21
<b>E</b>	
<b>Electric starter button</b>	12
<b>Engine</b>	
running in	19
<b>Engine number</b>	11
<b>Engine oil</b>	
adding	93
changing	91
<b>Engine oil level</b>	
checking	90
<b>Engine sprocket</b>	
checking	58
<b>Environment</b>	6
<b>F</b>	
<b>Figures</b>	8
<b>Filler cap</b>	
closing	14
opening	13
<b>Foot brake lever</b>	17
basic position, adjusting	69
free travel, checking	68
<b>Fork legs</b>	
air pressure, adjusting	35
basic setting, checking	34
bleeding	39
compression damping, adjusting	36
dust boots, cleaning	40
installing	41
rebound damping, adjusting	36
removing	41

**Fork protector**  
installing ..... 40  
removing ..... 40

**Frame**  
checking ..... 60

**Front fender**  
installing ..... 46  
removing ..... 46

**Front wheel**  
installing ..... 73  
removing ..... 73

**Fuel screen**  
changing ..... 89

**Fuel tank**  
installing ..... 55  
removing ..... 53

**Fuse**  
main fuse, changing ..... 80

**H**

**Hand brake lever** ..... 12  
basic position, adjusting ..... 64  
free travel, checking ..... 64

**Handlebar position** ..... 37  
adjusting ..... 37

**High-speed compression damping**  
shock absorber, adjusting ..... 30

**I**

**Idle speed**  
adjusting ..... 86

**Idle speed adjusting screw** ..... 16

**Implied warranty** ..... 8

**Intended use** ..... 5

**K**

**Kill switch** ..... 12

**L**

**Launch control**  
activating ..... 23

**Lower triple clamp**  
installing ..... 42  
removing ..... 42

**Low-speed compression damping**  
shock absorber, adjusting ..... 30

**M**

**Main fuse**  
changing ..... 80

**Main silencer**  
glass fiber yarn filling, changing ..... 53  
installing ..... 52  
removing ..... 52

**Mapping**  
changing ..... 86

**Misuse** ..... 5

**Motorcycle**  
cleaning ..... 94

raising with lift stand ..... 39  
removing from lift stand ..... 39

**O**

**Oil filter**  
changing ..... 91

**Oil screens**  
cleaning ..... 91

**Operating substances** ..... 8

**Overview of indicator lamps** ..... 13

**Owner's Manual** ..... 7

**P**

**Plug-in stand** ..... 17

**Preparing for use**  
advice on first use ..... 18  
after storage ..... 96  
checks and maintenance measures when preparing for use 22

**Protective clothing** ..... 6

**R**

**Rear sprocket**  
checking ..... 58

**Rear wheel**  
installing ..... 75  
removing ..... 74

**Rebound damping**  
fork, adjusting ..... 36  
shock absorber, adjusting ..... 31

**Refueling**  
fuel ..... 26

**Riding sag**  
adjusting ..... 34

**Rubber grips**  
checking ..... 61

**S**

**Safe operation** ..... 6

**Seat**  
mounting ..... 49  
removing ..... 49

**Service** ..... 8

**Service hour counter** ..... 13

**Service schedule** ..... 27-28

**Shift lever** ..... 16  
basic position, adjusting ..... 88  
basic position, checking ..... 87

**Shock absorber**  
compression damping, general ..... 29  
high-speed compression damping, adjusting ..... 30  
installing ..... 47  
low-speed compression damping, adjusting ..... 30  
rebound damping, adjusting ..... 31  
removing ..... 46  
riding sag, checking ..... 33  
spring pretension, adjusting ..... 33  
static sag, checking ..... 32

**Shock absorber article number** ..... 11

**Side stand** ..... 17

<b>Spare parts</b> .....	8
<b>Spoke tension</b>	
checking .....	76
<b>Start number plate</b>	
installing .....	45
removing .....	45
<b>Starting</b> .....	22
<b>Starting power of lithium-ion batteries at low temperatures</b> ...	19
<b>Steering head bearing</b>	
greasing .....	45
<b>Steering head bearing play</b>	
adjusting .....	44
checking .....	44
<b>Storage</b> .....	95
<b>Swingarm</b>	
checking .....	60
<b>T</b>	
<b>Technical data</b>	
capacities .....	101
chassis .....	101
chassis tightening torques .....	105
electrical system .....	102
engine .....	99
engine tightening torques .....	99
fork .....	102
shock absorber .....	103
tires .....	102
<b>Throttle cable play</b>	
adjusting .....	84
checking .....	84
<b>Throttle cable routing</b>	
checking .....	60
<b>Throttle grip</b> .....	12
<b>Throttle valve position</b>	
teaching .....	87
<b>Tire air pressure</b>	
checking .....	76
<b>Tire condition</b>	
checking .....	76
<b>Traction control</b>	
activating .....	23
<b>Transport</b> .....	25
<b>Troubleshooting</b> .....	97-98
<b>Type label</b> .....	11
<b>U</b>	
<b>Use definition</b> .....	5
<b>V</b>	
<b>View of vehicle</b>	
front left .....	9
rear right .....	10
<b>W</b>	
<b>Warranty</b> .....	8
<b>Work rules</b> .....	6

**READY TO RACE**

>> [www.ktm.com](http://www.ktm.com)



3213641en

03/2017



**KTM**

**KTM Sportmotorcycle GmbH**  
5230 Mattighofen/Austria  
<http://www.ktm.com>



KTM Group Partner



REG. NO. 12 100 6661

Photo: Mitterbauer/KTM