

150 EXC TPI
150 XC-W TPI

Art. no. 3214006en



Congratulations on your decision to purchase a KTM motorcycle. You are now the owner of a state-of-the-art sports vehicle that will continue giving you pleasure for a long time if you maintain it properly.

We wish you good and safe riding at all times!

Enter the serial numbers of your vehicle below.

Vehicle identification number (📖 p. 14)	Dealer's stamp
Engine number (📖 p. 14)	
Key number (150 EXC TPI EU) (📖 p. 14)	

The Owner's Manual contained the latest information for this model series at the time of going to print. However, minor differences due to further developments in design cannot be ruled out completely.

All specifications contained herein are non-binding. KTM Sportmotorcycle GmbH specifically reserves the right to modify or delete technical specifications, prices, colors, forms, materials, services, designs, equipment, etc., without prior notice and without specifying reasons, to adapt these to local conditions, as well as to stop production of a particular model without prior notice. KTM accepts no liability for delivery options, deviations from figures and descriptions, misprints, and other errors. The models portrayed partly contain special equipment that does not belong to the regular scope of supply.

© 2019 KTM Sportmotorcycle GmbH, Mattighofen Austria

All rights reserved

Reproduction, even in part, as well as copying of all kinds, is permitted only with the express written permission of the copyright owner.



ISO 9001(12 100 6061)

KTM applies quality assurance processes that lead to the highest possible product quality as defined in the ISO 9001 international quality management standard.

Issued by: TÜV Management Service

REG.NO. 12 100 6061

KTM Sportmotorcycle GmbH
Stallhofnerstraße 3
5230 Mattighofen, Austria

This document is valid for the following models:

150 EXC TPI EU (F7103T6)

150 XC-W TPI US (F7175T3)



3214006en




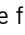
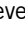

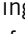
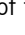







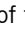

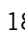

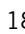

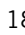




08/2019

TABLE OF CONTENTS

1	MEANS OF REPRESENTATION	6	6.12	Overview of indicator lamps (150 EXC TPI EU).....	19
1.1	Symbols used	6	6.13	Overview of indicator lamps (150 XC-W TPI US).....	19
1.2	Formats used.....	6	6.14	Opening the fuel tank filler cap	19
2	SAFETY ADVICE.....	7	6.15	Closing the fuel tank filler cap.....	20
2.1	Use definition – intended use.....	7	6.16	Opening 2-stroke oil tank cap.....	20
2.2	Misuse.....	7	6.17	Closing 2-stroke oil tank cap	21
2.3	Safety advice.....	7	6.18	Cold start button	21
2.4	Degrees of risk and symbols.....	8	6.19	Idle speed adjusting screw.....	22
2.5	Tampering warning.....	8	6.20	Shift lever	22
2.6	Safe operation	8	6.21	Kick starter lever.....	23
2.7	Protective clothing	9	6.22	Foot brake lever	23
2.8	Work rules.....	9	6.23	Side stand.....	23
2.9	Environment.....	9	6.24	Steering lock (150 EXC TPI EU).....	24
2.10	Owner's Manual	10	6.25	Locking the steering (150 EXC TPI EU)	24
3	IMPORTANT NOTES.....	11	6.26	Unlocking the steering (150 EXC TPI EU)	24
3.1	Manufacturer and implied warranty....	11	7	COMBINATION INSTRUMENT	25
3.2	Fuel, auxiliary substances	11	7.1	Combination instrument overview	25
3.3	Spare parts, accessories	11	7.2	Activation and test.....	25
3.4	Service	11	7.3	Setting the kilometers or miles.....	25
3.5	Figures	11	7.4	Adjusting combination instrument function.....	26
3.6	Customer service.....	11	7.5	Setting the clock.....	27
4	VIEW OF VEHICLE	12	7.6	Viewing the lap time.....	27
4.1	View of vehicle, front left (example) ...	12	7.7	Display mode SPEED (speed).....	28
4.2	View of vehicle, rear right (example).....	13	7.8	Display mode SPEED/H (operating hours).....	28
5	SERIAL NUMBERS	14	7.9	Setup menu	28
5.1	Vehicle identification number.....	14	7.10	Adjusting the unit of measurement	29
5.2	Type label	14	7.11	Display mode SPEED/CLK (time).....	30
5.3	Key number (150 EXC TPI EU)	14	7.12	Setting the clock.....	30
5.4	Engine number	14	7.13	Display mode SPEED/LAP (lap time)	30
5.5	Fork part number	15	7.14	Viewing the lap time.....	31
5.6	Shock absorber article number	15	7.15	Display mode SPEED/ODO (odometer)	31
6	CONTROLS.....	16	7.16	Display mode SPEED/TR1 (trip master 1).....	32
6.1	Clutch lever.....	16	7.17	Display mode SPEED/TR2 (trip master 2).....	32
6.2	Hand brake lever.....	16	7.18	Setting TR2 (trip master 2).....	32
6.3	Throttle grip	16	7.19	Display mode SPEED/A1 (average speed 1)	33
6.4	Switch-off button (150 EXC TPI EU)	16	7.20	Display mode SPEED/A2 (average speed 2)	33
6.5	Switch-off button (150 XC-W TPI US)	17	7.21	Display mode SPEED/S1 (stop watch 1)	34
6.6	Horn button (150 EXC TPI EU)	17	7.22	Display mode SPEED/S2 (stop watch 2)	34
6.7	Light switch (150 EXC TPI EU)	17	7.23	Table of functions.....	35
6.8	Light switch (150 XC-W TPI US)	17	7.24	Table of conditions and menu activation	36
6.9	Turn signal switch (150 EXC TPI EU)	18			
6.10	Emergency OFF switch (150 EXC TPI EU)	18			
6.11	Start button.....	18			

8	PREPARING FOR USE.....	37	11.10	Adjusting the riding sag 🛠️.....	58
8.1	Advice on preparing for first use.....	37	11.11	Checking the basic setting of the fork.....	58
8.2	Running in the engine.....	38	11.12	Adjusting the compression damping of the fork.....	59
8.3	Starting power of lithium-ion batteries at low temperatures.....	39	11.13	Adjusting the rebound damping of the fork.....	59
8.4	Preparing the vehicle for difficult operating conditions.....	39	11.14	Handlebar position.....	60
8.5	Preparing the vehicle for riding on dry sand.....	39	11.15	Adjusting the handlebar position 🛠️.....	60
8.6	Preparing the vehicle for riding on wet sand.....	41	12	SERVICE WORK ON THE CHASSIS.....	62
8.7	Preparing the vehicle for riding on wet and muddy circuits.....	42	12.1	Raising the motorcycle with a lift stand.....	62
8.8	Preparing vehicle for high temperatures or slow riding.....	42	12.2	Removing the motorcycle from the lift stand.....	62
8.9	Preparing the vehicle for low temperatures or snow.....	43	12.3	Bleeding the fork legs.....	62
9	RIDING INSTRUCTIONS.....	44	12.4	Cleaning the dust boots of the fork legs.....	63
9.1	Checks and maintenance measures when preparing for use.....	44	12.5	Removing the fork protector.....	63
9.2	Starting the vehicle.....	44	12.6	Installing the fork protector.....	64
9.3	Starting off.....	45	12.7	Removing the fork legs 🛠️.....	64
9.4	Shifting, riding.....	45	12.8	Installing the fork legs 🛠️.....	65
9.5	Braking.....	46	12.9	Removing the lower triple clamp 🛠️.....	65
9.6	Stopping, parking.....	47	12.10	Installing the lower triple clamp 🛠️.....	66
9.7	Transporting.....	47	12.11	Checking steering head bearing play.....	68
9.8	Refueling.....	48	12.12	Adjusting the steering head bearing play 🛠️.....	69
9.9	Adding 2-stroke oil.....	49	12.13	Lubricating the steering head bearing 🛠️.....	70
10	SERVICE SCHEDULE.....	50	12.14	Removing front fender.....	70
10.1	Additional information.....	50	12.15	Installing front fender.....	70
10.2	Required work.....	50	12.16	Removing the shock absorber 🛠️.....	71
10.3	Recommended work.....	51	12.17	Installing the shock absorber 🛠️.....	71
11	TUNING THE CHASSIS.....	53	12.18	Removing the seat.....	72
11.1	Checking the basic chassis setting with rider's weight.....	53	12.19	Mounting the seat.....	72
11.2	Compression damping of the shock absorber.....	53	12.20	Removing the air filter box cover.....	73
11.3	Adjusting the low-speed compression damping of the shock absorber.....	53	12.21	Installing the air filter box cover.....	73
11.4	Adjusting the high-speed compression damping of the shock absorber.....	54	12.22	Removing the air filter 🛠️.....	74
11.5	Adjusting the rebound damping of the shock absorber.....	55	12.23	Installing the air filter 🛠️.....	74
11.6	Measuring the dimension of the rear wheel unloaded.....	55	12.24	Cleaning the air filter and air filter box 🛠️.....	75
11.7	Checking the static sag of the shock absorber.....	56	12.25	Preparing air filter box cover for securing 🛠️.....	75
11.8	Checking the riding sag of the shock absorber.....	56	12.26	Removing the main silencer.....	76
11.9	Adjusting the spring preload of the shock absorber 🛠️.....	57	12.27	Installing the main silencer.....	76
			12.28	Changing the glass fiber yarn filling in the main silencer 🛠️.....	76
			12.29	Removing the fuel tank 🛠️.....	77
			12.30	Installing the fuel tank 🛠️.....	79
			12.31	Checking the chain for dirt.....	80
			12.32	Cleaning the chain.....	81
			12.33	Checking the chain tension.....	81
			12.34	Adjusting the chain tension.....	82

TABLE OF CONTENTS

12.35	Checking the chain, rear sprocket, engine sprocket, and chain guide	83	15.6	Removing the headlight mask with the headlight	117
12.36	Checking the frame 	86	15.7	Installing the headlight mask with the headlight	118
12.37	Checking the link fork 	86	15.8	Changing the headlight bulb	118
12.38	Checking throttle cable routing.....	86	15.9	Changing the turn signal bulb (150 EXC TPI EU).....	119
12.39	Checking the rubber grip	87	15.10	Checking the headlight setting	120
12.40	Adjusting the basic position of the clutch lever	87	15.11	Adjusting the headlight range.....	121
12.41	Checking/correcting the fluid level of the hydraulic clutch	88	15.12	Changing the combination instrument battery.....	121
12.42	Changing the hydraulic clutch fluid 	89	15.13	Diagnostics connector	122
12.43	Removing engine guard	90	16	COOLING SYSTEM	123
12.44	Installing the engine guard	90	16.1	Cooling system	123
13	BRAKE SYSTEM	91	16.2	Checking the antifreeze and coolant level	123
13.1	Checking the free travel of the hand brake lever	91	16.3	Checking the coolant level	124
13.2	Adjusting the free travel of the handbrake lever (150 EXC TPI EU)....	91	16.4	Draining the coolant 	124
13.3	Adjusting the basic position of the hand brake lever (150 XC-W TPI US)	92	16.5	Refilling with coolant 	125
13.4	Checking the brake discs	92	17	TUNING THE ENGINE	128
13.5	Checking the front brake fluid level ...	93	17.1	Checking the throttle cable play	128
13.6	Adding front brake fluid 	93	17.2	Adjusting the throttle cable play 	128
13.7	Checking the front brake linings	94	17.3	Setting the characteristic map of the throttle response 	129
13.8	Changing the brake linings of the front brake 	95	17.4	Adjusting the idle speed 	130
13.9	Checking the free travel of foot brake lever	97	17.5	Programming ambient pressure	131
13.10	Adjusting the basic position of the foot brake lever 	97	17.6	Ignition curve plug-in connector	132
13.11	Checking the rear brake fluid level.....	98	17.7	Changing the ignition timing map....	132
13.12	Adding rear brake fluid 	99	17.8	Checking the basic position of the shift lever.....	133
13.13	Checking the brake linings of the rear brake.....	100	17.9	Adjusting the basic position of the shift lever 	133
13.14	Changing the brake linings of the rear brake 	100	18	SERVICE WORK ON THE ENGINE	134
14	WHEELS, TIRES	103	18.1	Changing the fuel screen 	134
14.1	Removing the front wheel 	103	18.2	Checking 2-stroke oil level	135
14.2	Installing the front wheel 	104	18.3	Priming oil pump 	135
14.3	Removing the rear wheel 	104	18.4	Cleaning the oil screen in the oil tank 	137
14.4	Installing the rear wheel 	105	18.5	Checking the gear oil level	140
14.5	Checking the tire condition	107	18.6	Changing the gear oil 	140
14.6	Checking tire pressure	107	18.7	Adding the gear oil 	141
14.7	Checking spoke tension	108	19	CLEANING, CARE	143
15	ELECTRICAL SYSTEM	109	19.1	Cleaning the motorcycle	143
15.1	Removing the 12-V battery 	109	19.2	Checks and maintenance steps for winter operation.....	144
15.2	Installing the 12-V battery 	111	20	STORAGE	145
15.3	Charging the 12-V battery 	112	20.1	Storage	145
15.4	Changing main fuse	114	20.2	Preparing for use after storage.....	146
15.5	Changing the fuses of individual power consumers	116	21	TROUBLESHOOTING	147

22	TECHNICAL DATA.....	150
22.1	Engine.....	150
22.2	Engine tightening torques.....	150
22.3	Capacities.....	152
22.3.1	Gear oil.....	152
22.3.2	Coolant.....	152
22.3.3	Fuel.....	152
22.4	Chassis.....	152
22.5	Electrical system.....	153
22.6	Tires.....	153
22.7	Fork.....	154
22.8	Shock absorber.....	154
22.9	Chassis tightening torques.....	155
23	SUBSTANCES.....	157
24	AUXILIARY SUBSTANCES.....	159
25	STANDARDS.....	161
26	INDEX OF SPECIAL TERMS.....	162
27	LIST OF ABBREVIATIONS.....	163
28	LIST OF SYMBOLS.....	164
28.1	Red symbols.....	164
28.2	Yellow and orange symbols.....	164
28.3	Green and blue symbols.....	164
	INDEX.....	165

1 MEANS OF REPRESENTATION

1.1 Symbols used

The meaning of specific symbols is described below.



Indicates an expected reaction (e.g. of a work step or a function).



Indicates an unexpected reaction (e.g. of a work step or a function).



All work marked with this symbol requires specialist knowledge and technical understanding. In the interest of your own safety, have these jobs performed by an authorized KTM workshop! Your motorcycle will be optimally cared for there by specially trained experts using the auxiliary tools required.



Indicates a page reference (more information is provided on the specified page).



Indicates information with more details or tips.



Indicates the result of a testing step.



Indicates a voltage measurement.



Indicates a current measurement.



Indicates the end of an activity, including potential rework.

1.2 Formats used

The typographical formats used in this document are explained below.

Proprietary name

Indicates a proprietary name.

Name®

Indicates a protected name.

Brand™

Indicates a brand available on the open market.

Underlined terms

Refer to technical details of the vehicle or indicate technical terms, which are explained in the glossary.

2.1 Use definition – intended use

(150 EXC TPI EU)

This vehicle has been designed and built to withstand the normal stresses and strains of racing. This vehicle complies with the currently valid regulations and categories of the top international motorsports organizations.



Info

This vehicle is only authorized for operation on public roads in the homologated (restricted) version. The derestricted version of this vehicle must only be operated in closed off areas away from public highway traffic.

This vehicle is designed for use in offroad endurance competition, and not primarily for use in motocross.

(150 XC-W TPI US)

This vehicle has been designed and built to withstand the normal stresses and strains of racing. This vehicle complies with the currently valid regulations and categories of the top international motorsports organizations.



Info

This vehicle is not approved for use on public roads.

This vehicle is designed for use in offroad endurance competition, and not primarily for use in motocross.

2.2 Misuse

The vehicle must only be used as intended.

Dangers can arise for people, property and the environment through use not as intended.

Any use of the vehicle beyond the intended and defined use constitutes misuse.

Misuse also includes the use of operating and auxiliary fluids which do not meet the required specification for the respective use.

2.3 Safety advice

A number of safety instructions need to be followed to operate the product described safely. Therefore read this instruction and all further instructions included carefully. The safety instructions are highlighted in the text and are referred to at the relevant passages.



Info

Various information and warning labels are attached in prominent locations on the product described. Do not remove any information or warning labels. If they are missing, you or others may not recognize dangers and may therefore be injured.

2.4 Degrees of risk and symbols



Danger

Identifies a danger that will immediately and invariably lead to fatal or serious permanent injury if the appropriate measures are not taken.



Warning

Identifies a danger that is likely to lead to fatal or serious injury if the appropriate measures are not taken.



Caution

Identifies a danger that may lead to minor injuries if the appropriate measures are not taken.

Note

Identifies a danger that will lead to considerable machine and material damage if the appropriate measures are not taken.



Note

Indicates a danger that will lead to environmental damage if the appropriate measures are not taken.

2.5 Tampering warning

Tampering with the noise control system is prohibited. Federal law prohibits the following acts or the causing thereof:

- 1 The removal or rendering inoperative by any person other than for purposes of servicing, repair, or replacement, of any device or element of design incorporated into any new vehicle for the purpose of noise control prior to its sale or delivery to the ultimate purchaser or while it is in use, or
- 2 the use of the vehicle after such device or element of design has been removed or rendered inoperative by any person.

Among those acts presumed to constitute tampering are the acts listed below:

- 1 Removal or puncturing of the main silencers, baffles, header pipes or any other components which conduct exhaust gases.
- 2 Removal or puncturing of parts of the intake system.
- 3 Lack of proper maintenance.
- 4 Replacing moving parts of the vehicle, or parts of the exhaust system or intake system, with parts other than those specified by the manufacturer.

2.6 Safe operation



Danger

Danger of accidents A rider who is not fit to ride poses a danger to him or herself and others.

- Do not operate the vehicle if you are not fit to ride due to alcohol, drugs or medication.
- Do not operate the vehicle if you are physically or mentally impaired.



Danger

Danger of poisoning Exhaust gases are toxic and inhaling them may result in unconsciousness and death.

- Always make sure there is sufficient ventilation when running the engine.
- Use effective exhaust extraction when starting or running the engine in an enclosed space.

**Warning****Danger of burns** Some vehicle components become very hot when the vehicle is operated.

- Do not touch any parts such as the exhaust system, radiator, engine, shock absorber, or brake system before the vehicle parts have cooled down.
- Let the vehicle parts cool down before you perform any work on the vehicle.

Only operate the vehicle when it is in perfect technical condition, in accordance with its intended use, and in a safe and environmentally compatible manner.

The vehicle should only be used by trained persons. An appropriate driver's license is needed to drive the vehicle on public roads.

Have malfunctions that impair safety promptly eliminated by an authorized KTM workshop.

Adhere to the information and warning labels on the vehicle.

2.7 Protective clothing**Warning****Risk of injury** Missing or poor protective clothing presents an increased safety risk.

- Wear appropriate protective clothing such as helmet, boots, gloves as well as trousers and a jacket with protectors on all rides.
- Always wear protective clothing that is in good condition and meets the legal regulations.

In the interest of your own safety, KTM recommends that you only operate the vehicle while wearing protective clothing.

2.8 Work rules

Unless specified otherwise, the ignition must be turned off during all work (model with ignition switch) or the engine must be at a standstill (models without ignition switch).

Special tools are necessary for certain tasks. The tools are not a component of the vehicle, but can be ordered using the number in parentheses. Example: bearing puller (15112017000)

During assembly, use new parts to replace parts which cannot be reused (e.g. self-locking screws and nuts, seals, sealing rings, O-rings, pins, and lock washers).

In the case of certain screws, a screw adhesive (e.g. **Loctite**®) is required. Observe the manufacturer's instructions.

If thread locker (e.g., **Precote**®) has already been applied to a new part, do not apply any additional thread locker. After disassembly, clean the parts that are to be reused and check them for damage and wear. Change damaged or worn parts.

After completing a repair or service work, check the operating safety of the vehicle.

2.9 Environment

If you use your motorcycle responsibly, you can ensure that problems and conflicts do not occur. To protect the future of the motorcycle sport, make sure that you use your motorcycle legally, display environmental consciousness, and respect the rights of others.

When disposing of used oil, other operating and auxiliary fluids, and used components, comply with the laws and regulations of the respective country.

Because motorcycles are not subject to the EU regulations governing the disposal of used vehicles, there are no legal regulations that pertain to the disposal of an end-of-life motorcycle. Your authorized KTM dealer will be glad to advise you.

2.10 Owner's Manual

It is important that you read this Owner's Manual carefully and completely before making your first trip. The Owner's Manual contains useful information and many tips on how to operate, handle, and service your motorcycle. Only then will you find out how to customize the vehicle ideally for your own use and how you can protect yourself from injury.

Keep the Owner's Manual in an accessible place to enable you to refer to it as needed.

If you would like to know more about the vehicle or have questions on the material you read, please contact an authorized KTM dealer.

The Owner's Manual is an important component of the vehicle and must be handed over to the new owner if the vehicle is sold.

The Owner's Manual is also available for download from your authorized KTM dealer and on the KTM website. International KTM Website: <http://www.ktm.com>

3.1 Manufacturer and implied warranty

The work prescribed in the service schedule must only be carried out in an authorized KTM workshop and confirmed in the **KTM Dealer.net**, as otherwise all warranty claims will be void. Damage or secondary damage caused by tampering with and/or conversions on the vehicle are not covered by the manufacturer warranty.

3.2 Fuel, auxiliary substances



Note

Environmental hazard Improper handling of fuel is a danger to the environment.

- Do not allow fuel to enter the groundwater, the soil, or the sewage system.

Use fuels and auxiliary substances in accordance with the Owner's Manual and specification.

3.3 Spare parts, accessories

For your own safety, only use spare parts and accessory products that are approved and/or recommended by KTM and have them installed by an authorized KTM workshop. KTM accepts no liability for other products and any resulting damage or loss.

Certain spare parts and accessory products are specified in parentheses in the descriptions. Your authorized KTM dealer will be glad to advise you.

The current **KTM PowerParts** for your vehicle can be found on the KTM website.

International KTM Website: <http://www.ktm.com>

3.4 Service

A prerequisite for perfect operation and prevention of premature wear is that the service, care, and tuning work on the engine and chassis is properly carried out as described in the Owner's Manual. An incorrect suspension setting can lead to damage and breakage of chassis components.

Use of the vehicle under difficult conditions, such as on sand or on wet and muddy surfaces, can result in significantly increased wear of components, such as the drive train, brake system, or suspension components. For this reason, it may be necessary to inspect or replace parts before the next scheduled service.

It is imperative that you adhere to the stipulated run-in times and service intervals. If you observe these exactly, you will ensure a much longer service life for your motorcycle.

The relevant mileage or time interval is whichever occurs first.

3.5 Figures

The figures contained in the manual may depict special equipment.

In the interest of clarity, some components may be shown disassembled or may not be shown at all. It is not always necessary to disassemble the component to perform the activity in question. Please follow the instructions in the text.

3.6 Customer service

Your authorized KTM dealer will be happy to answer any questions you may have on your vehicle and KTM.

A list of authorized KTM dealers can be found on the KTM website.

International KTM Website: <http://www.ktm.com>

4 VIEW OF VEHICLE

4.1 View of vehicle, front left (example)



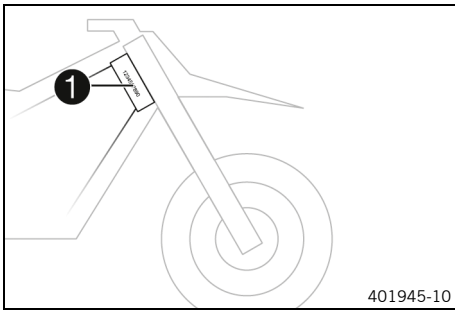
S03607-10

- ① Hand brake lever (📖 p. 16)
- ② Clutch lever (📖 p. 16)
- ③ Light switch (📖 p. 17) **(150 EXC TPI EU)**
- ③ Switch-off button (📖 p. 16) **(150 EXC TPI EU)**
- ③ Turn signal switch (📖 p. 18) **(150 EXC TPI EU)**
- ③ Horn button (📖 p. 17) **(150 EXC TPI EU)**
- ④ Ignition curve plug-in connector (📖 p. 132)
- ⑤ Air filter box cover
- ⑥ Side stand (📖 p. 23)
- ⑦ Shift lever (📖 p. 22)

4.2 View of vehicle, rear right (example)

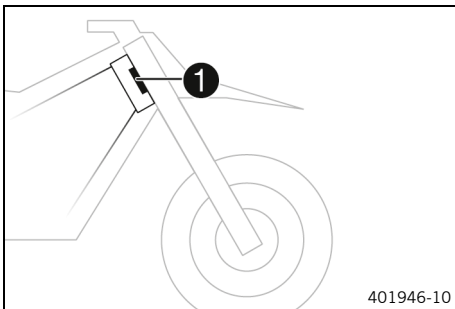
- ❶ Fuel tank filler cap
- ❷ Throttle grip (📖 p. 16)
- ❸ Vehicle identification number (📖 p. 14)
- ❹ Kick starter lever (📖 p. 23)
- ❺ Foot brake lever (📖 p. 23)
- ❻ Level viewer for brake fluid, rear

5.1 Vehicle identification number



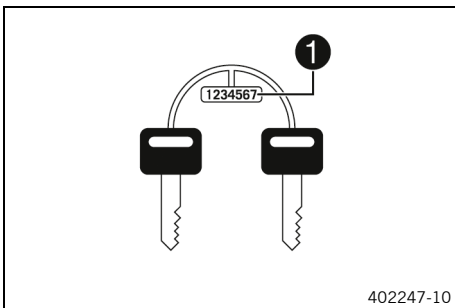
The vehicle identification number ❶ is stamped on the right side of the steering head.

5.2 Type label



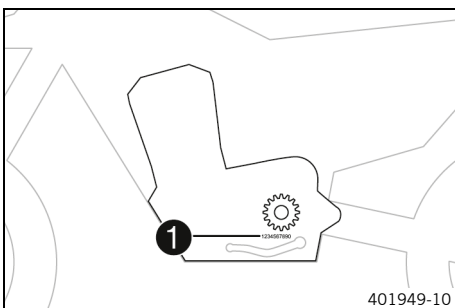
Type label ❶ is fixed to the front of the steering head.

5.3 Key number (150 EXC TPI EU)



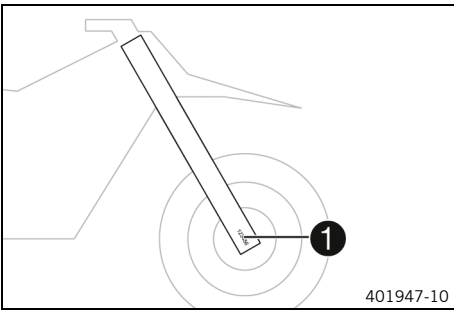
The key number ❶ for the steering lock is stamped onto the key connector.

5.4 Engine number



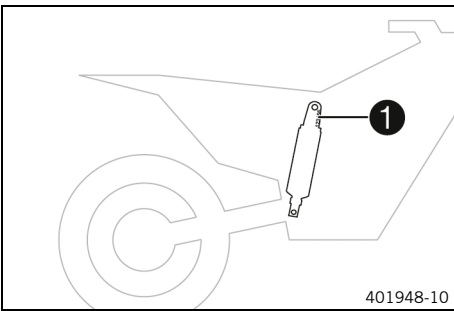
The engine number ❶ is located on the left side of the engine under the engine sprocket.

5.5 Fork part number



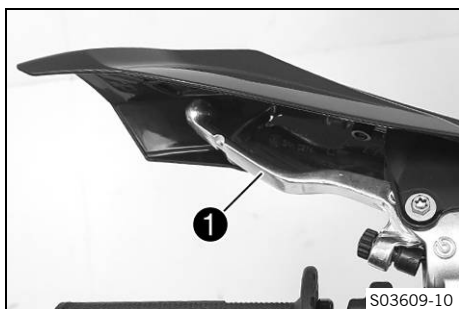
The fork part number **1** is stamped on the inside of the axle clamp.

5.6 Shock absorber article number



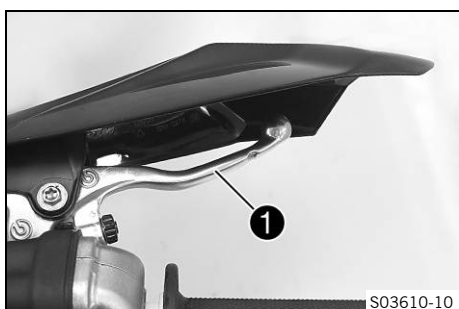
Shock absorber article number **1** is stamped on the top of the shock absorber above the adjusting ring towards the engine side.

6.1 Clutch lever



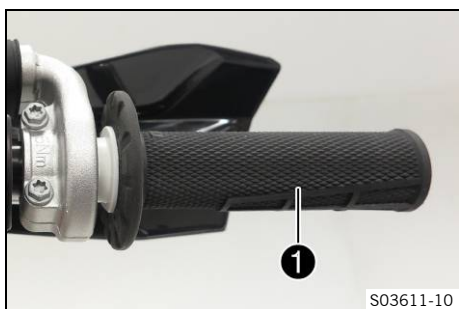
Clutch lever **1** is fitted on the handlebar on the left. The clutch is activated hydraulically and adjusts itself automatically.

6.2 Hand brake lever



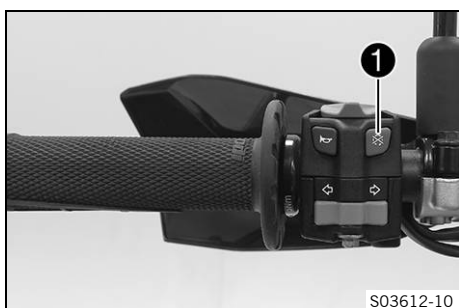
Hand brake lever **1** is fitted on the right side of the handlebar. The front brake is engaged using the hand brake lever.

6.3 Throttle grip



Throttle grip **1** is fitted on the right side of the handlebar.

6.4 Switch-off button (150 EXC TPI EU)

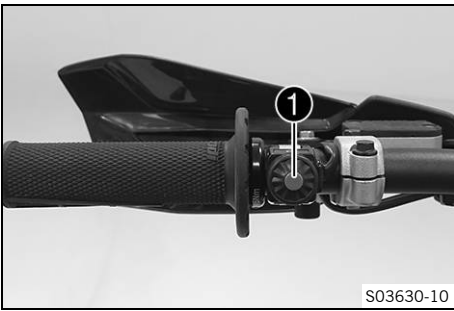


Switch-off button **1** is fitted on the left side of the handlebar.

Possible states

- The switch-off button ☒ is in the basic position – In this position, the ignition circuit is closed and the engine can be started.
- The switch-off button ☒ is pressed – In this position, the ignition circuit is interrupted, a running engine stops, and a non-running engine will not start.

6.5 Switch-off button (150 XC-W TPI US)

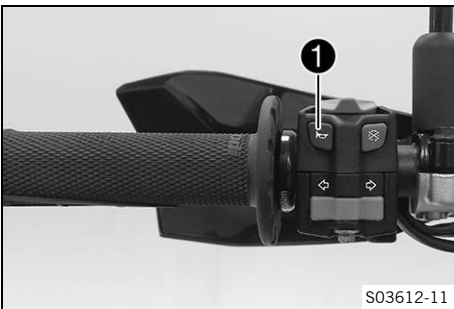


Switch-off button ❶ is fitted on the left side of the handlebar.

Possible states

- The switch-off button ☒ is in the basic position – In this position, the ignition circuit is closed and the engine can be started.
- The switch-off button ☒ is pressed – In this position, the ignition circuit is interrupted, a running engine stops, and a non-running engine will not start.

6.6 Horn button (150 EXC TPI EU)

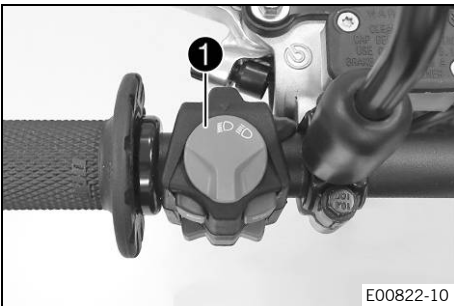


Horn button ❶ is fitted on the left side of the handlebar.

Possible states

- The horn button is in the basic position
- The horn button is pressed – The horn is operated in this position.

6.7 Light switch (150 EXC TPI EU)



Light switch ❶ is fitted on the left side of the handlebar.

Possible states

	Low beam on – Light switch is in the central position. In this position, the low beam and tail light are switched on.
	High beam on – Light switch is turned to the left. In this position, the high beam and the tail light are switched on.

6.8 Light switch (150 XC-W TPI US)

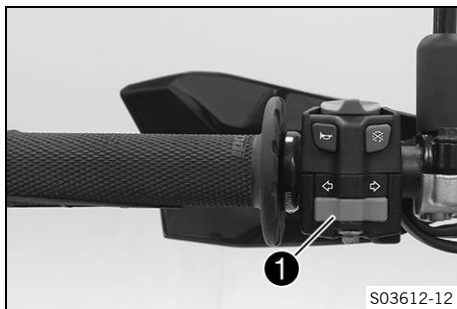


The light switch ❶ is located to the left of the combination instrument.

Possible states

- Light off – Light switch is pressed in up to the stop. In this position, the light is switched off.
- Light on – Light switch is pulled out to the stop. In this position, the low beam and tail light are switched on.

6.9 Turn signal switch (150 EXC TPI EU)



Turn signal switch ❶ is fitted on the left side of the handlebar.

Possible states

	Turn signal off – The turn signal switch is in the central position.
←	Left turn signal, on – The turn signal switch is turned to the left.
→	Right turn signal, on – The turn signal switch is turned to the right.

6.10 Emergency OFF switch (150 EXC TPI EU)



The emergency OFF switch ❶ is fitted on the right side of the handlebar.

Possible states

	Ignition off – In this position, the ignition circuit is interrupted, a running engine stops, and a non-running engine will not start.
	Ignition on – In this position, the ignition circuit is closed, and the engine can be started.

6.11 Start button



(150 EXC TPI EU)

Start button ❶ is fitted on the right side of the handlebar.



(150 XC-W TPI US)

Start button ❶ is fitted on the right side of the handlebar.






Possible states

- The start button ④ is in the basic position
- The start button ④ is pressed – In this position, the starter motor is actuated.

6.12 Overview of indicator lamps (150 EXC TPI EU)







Possible states

	The high beam indicator lamp lights up blue – The high beam is switched on.
	Malfunction indicator lamp lights up/flashes yellow – The <u>OBD</u> has detected an error in the vehicle electronics. Come safely to a halt, and contact an authorized KTM workshop.
	The fuel level warning lamp lights up yellow – The fuel level has reached the reserve mark.
	Turn signal indicator lamp flashes green – The turn signal is switched on.
	The oil level warning lamp lights up red – Oil level has reached the MIN marking. Ride for no more than until the remaining fuel in the tank is depleted and at the next opportunity refuel with 2-stroke oil.

6.13 Overview of indicator lamps (150 XC-W TPI US)



Possible states

	High beam indicator lamp – inoperative
	Malfunction indicator lamp lights up/flashes yellow – The <u>OBD</u> has detected an error in the vehicle electronics. Come safely to a halt, and contact an authorized KTM workshop.
	The fuel level warning lamp lights up yellow – The fuel level has reached the reserve mark.
	The oil level warning lamp lights up red – Oil level has reached the MIN marking. Ride for no more than until the remaining fuel in the tank is depleted and at the next opportunity refuel with 2-stroke oil.

6.14 Opening the fuel tank filler cap



Danger

Fire hazard Fuel is highly flammable.

The fuel in the fuel tank expands when warm and can escape if overfilled.

- Do not refuel the vehicle in the vicinity of open flames or lit cigarettes.
- Switch off the engine for refueling.
- Make sure that no fuel is spilled; particularly not on hot parts of the vehicle.
- If any fuel is spilled, wipe it off immediately.
- Observe the specifications for refueling.



Warning

Danger of poisoning Fuel is poisonous and a health hazard.

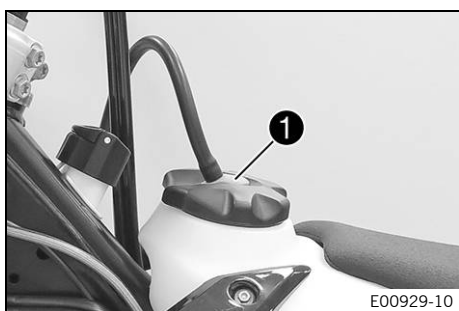
- Avoid skin, eye and clothing contact with fuel.
- Immediately consult a doctor if you swallow fuel.
- Do not inhale fuel vapors.
- In case of skin contact, rinse the affected area with plenty of water.
- Rinse the eyes thoroughly with water, and consult a doctor in case of fuel contact with the eyes.
- Change your clothing in case of fuel spills on them.
- Keep fuels correctly in a suitable canister, and out of the reach of children.



Note

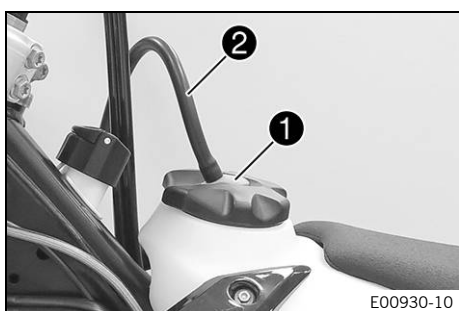
Environmental hazard Improper handling of fuel is a danger to the environment.

- Do not allow fuel to enter the groundwater, the soil, or the sewage system.



- Press release button **1**, turn the fuel tank filler cap counterclockwise, and lift it off.

6.15 Closing the fuel tank filler cap



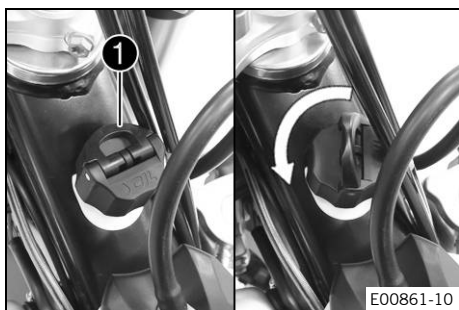
- Mount the fuel tank filler cap and turn it clockwise until release button **1** engages.



Info

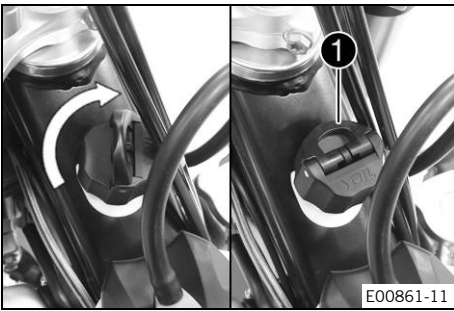
Route fuel tank breather hose **2** without kinks.

6.16 Opening 2-stroke oil tank cap



- Fold loop **1** upward.
- Turn the 2-stroke oil tank cap counterclockwise and pull it up.

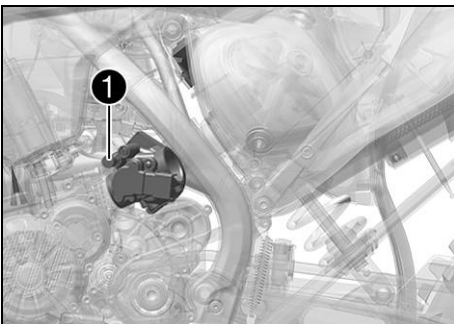
6.17 Closing 2-stroke oil tank cap



- Put the 2-stroke oil tank cap on and turn it clockwise.
- Fold loop **1** down.
- ✓ The 2-stroke oil tank cap engages.



6.18 Cold start button

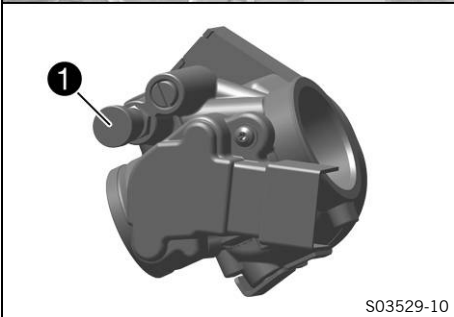


The cold start button **1** is fitted on the side of the throttle valve body.

If the engine is cold and the ambient temperature is low, the electronic fuel injection system extends the injection time. To help the engine burn the increased fuel quantity, it must be supplied with additional oxygen by pulling the cold start button.

i Info

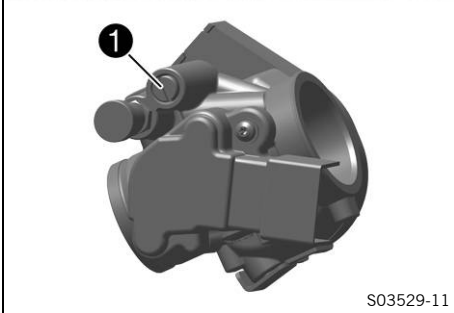
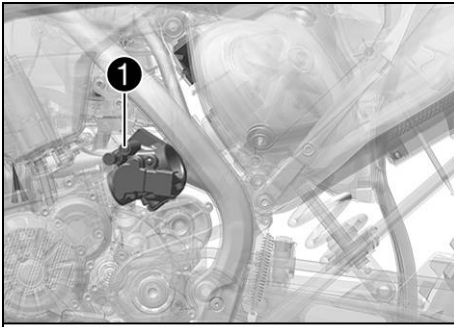
If the engine is warm, the cold start button must be deactivated.



Possible states

- The cold start button is activated – The cold start button is pulled out all the way and turned by a ¼ turn.
- The cold start button is deactivated – A further ¼ turn returns the cold start button back to the basic position.

6.19 Idle speed adjusting screw



S03529-11

The idle setting of the throttle valve body substantially influences the vehicle's starting behavior, a stable idle speed, and the vehicle's response when the throttle is opened.

An engine with a correctly set idle speed is easier to start than an engine with the idle speed set incorrectly.

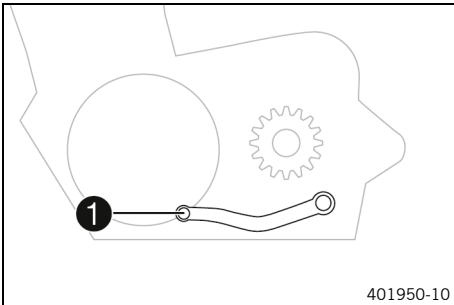
The idle speed is adjusted using the idle speed adjusting screw **1**.

i Info

If the idle speed is high, the engine is slow to run, the engine brake is low and the throttle response is aggressive, the adjustment screw must be turned clockwise.

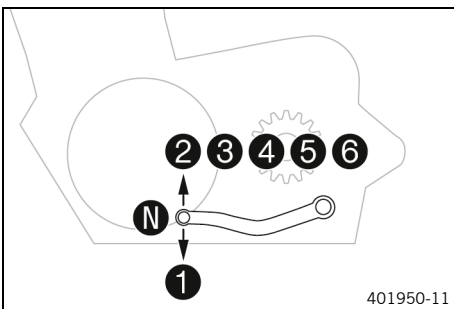
If the idle speed is low, the engine is running fast, the engine brake is high and the throttle response is not clean, the adjusting screw must be turned counterclockwise.

6.20 Shift lever



401950-10

Shift lever **1** is mounted on the left side of the engine.

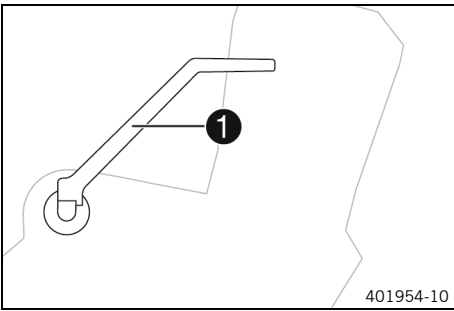


401950-11

The gear positions can be seen in the photograph.

The neutral or idle position is between the first and second gears.

6.21 Kick starter lever



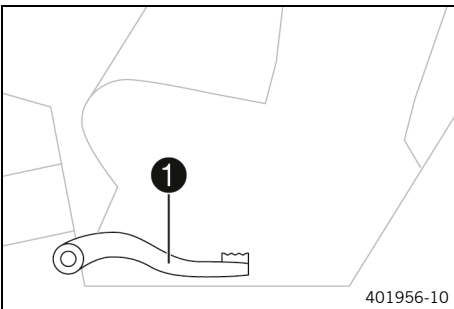
Kick starter lever **1** is fitted on the right side of the engine. The kick starter lever can be swiveled.



Info

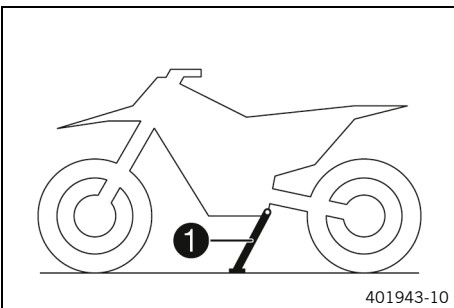
Before riding, swing the kick starter lever inwards towards the engine.

6.22 Foot brake lever

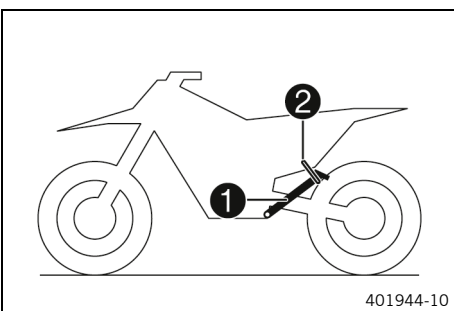


Foot brake lever **1** is located in front of the right footrest. The foot brake lever is used to activate the rear brake.

6.23 Side stand



The side stand **1** is located on the left of the vehicle.



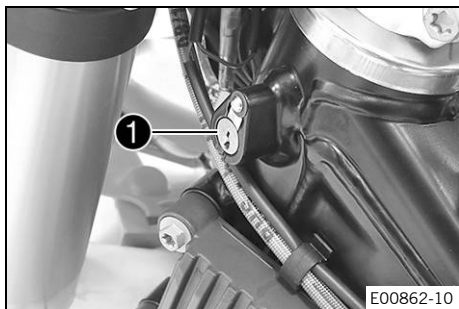
The side stand is used for parking the motorcycle.



Info

When you are riding, side stand **1** must be folded up and secured with rubber strap **2**.

6.24 Steering lock (150 EXC TPI EU)



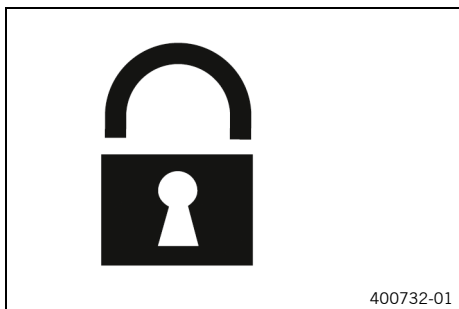
Steering lock ❶ is fitted on the left side of the steering head. The steering lock is used to lock the steering. Steering, and therefore riding, is no longer possible.

6.25 Locking the steering (150 EXC TPI EU)

Note

Danger of damage The parked vehicle can roll away or fall over.

- Park the vehicle on a firm and level surface.



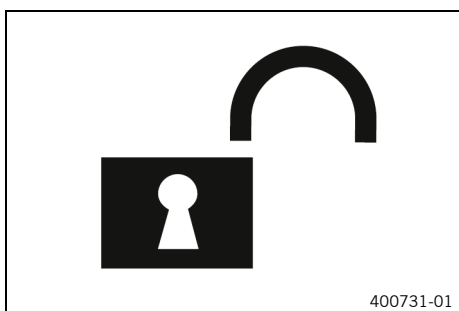
- Park the vehicle.
- Turn handlebar as far as possible to the right.
- Insert the key for the steering lock into the steering lock, turn it to the left, press it in, and turn it to the right. Pull out the key for the steering lock.
- ✓ Steering is no longer possible.



Info

Never leave the key for the steering lock in the steering lock.

6.26 Unlocking the steering (150 EXC TPI EU)



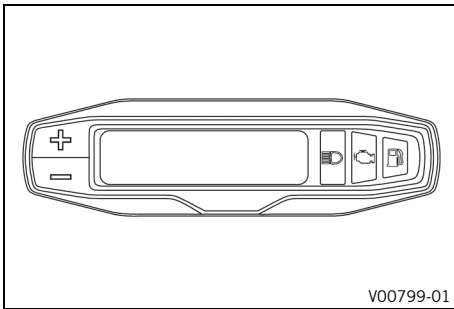
- Insert the key for the steering lock into the steering lock, turn it to the left, pull it out, and turn it to the right. Pull out the key for the steering lock.
- ✓ The handlebar can now be moved again.



Info

Never leave the key for the steering lock in the steering lock.

7.1 Combination instrument overview



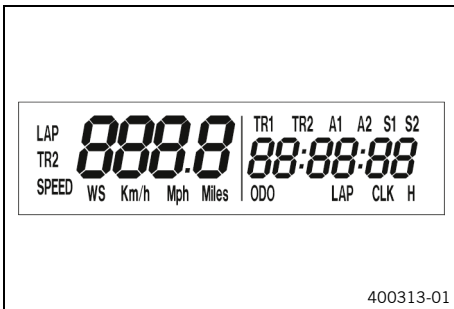
- The button is used to select menus and make settings.
- The button is used to select menus and make settings.



Info

When the vehicle is delivered, only the **SPEED/H** and **SPEED/ODO** display modes are activated.

7.2 Activation and test



Activating combination instrument

The combination instrument is activated when one of the buttons is pressed or an impulse comes from the wheel speed sensor.

Display test

To enable you to check that the display is functioning properly, all display segments light up briefly.



WS (wheel size)

After the display function check, the wheel circumference **WS** is displayed briefly.



Info

The number 2205 equals the circumference of the 21" front wheel with standard tires.

The display then changes to the last selected mode.

7.3 Setting the kilometers or miles



Info

If you change the unit, the value **ODO** is retained and converted accordingly. The values **TR1**, **TR2**, **A1**, **A2** and **S1** are cleared when the unit of measure is changed.

Condition

The motorcycle is stationary.

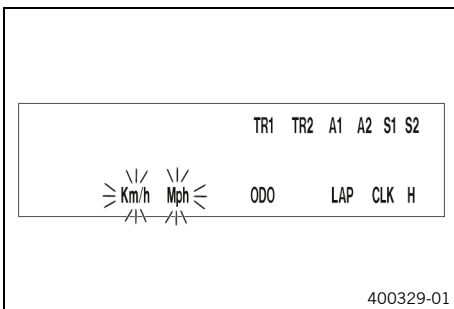
- Repeatedly press the button briefly until **H** appears at the bottom right of the display.
- Press the button for 2–3 seconds.
 - ✓ The Setup menu is displayed and the active functions are shown.
- Repeatedly press the button briefly until **Km/h/Mph** flashes.

Adjusting the Km/h

- Press the button .

Adjusting the Mph

- Press the button .



- Wait 3 - 5 seconds.
- ✓ The settings are stored.



Info

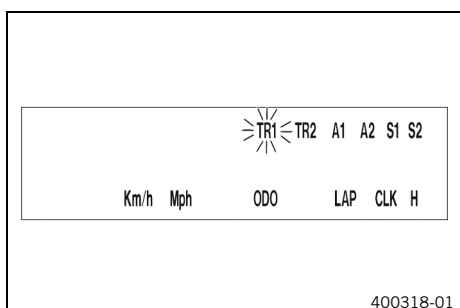
If no button is pressed for 10–12 seconds, or if an impulse comes from the wheel speed sensor, the settings are automatically saved and the setup menu is closed.

7.4 Adjusting combination instrument function



Info

When the vehicle is delivered, only the **SPEED/H** and **SPEED/ODO** display modes are activated.



Condition

The motorcycle is stationary.

- Repeatedly press the button briefly until **H** appears at the bottom right of the display.
- Press the button for 2–3 seconds.
- ✓ The Setup menu is displayed and the active functions are shown.



Info

If no button is pressed for 10–12 seconds, the settings are automatically saved.
If no button is pressed for 20 seconds, or if an impulse comes from the wheel speed sensor, the settings are automatically saved and the setup menu is closed.

- Repeatedly press the button briefly until the desired function flashes.
- ✓ The selected function flashes.

Activating the function

- Press the button .
- ✓ The symbol continues to appear in the display and the next function appears.

Deactivating a function

- Press the button .
- ✓ The symbol disappears in the display and the next function appears.

7.5 Setting the clock



Condition

The motorcycle is stationary.

- Repeatedly press the button **+** briefly until **CLK** appears at the bottom right of the display.
- Press the button **+** for 2–3 seconds.
 - ✓ The hour display flashes.
- Adjust hour display with the button **+** and/or button **-**.
- Wait 3 - 5 seconds.
 - ✓ The next segment of the display flashes and can be set.
- You can set the following segments in the same way as the hours by pressing the button **+** and the button **-**.



Info

The seconds can only be set to zero.

If no button is pressed for 15–20 seconds, or if an impulse comes from the wheel speed sensor, the settings are automatically saved and the setup menu is closed.

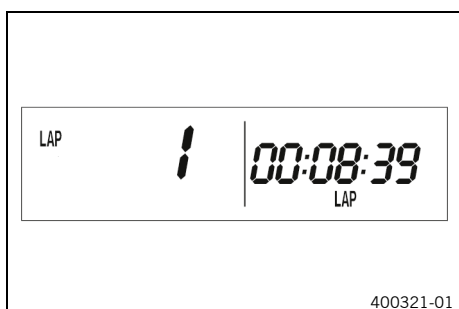


7.6 Viewing the lap time



Info

This function can only be opened if lap times have actually been timed.



Condition

The motorcycle is stationary.

- Repeatedly press the button **+** briefly until **LAP** appears at the bottom right of the display.
- Briefly press the button **+**.
 - ✓ **LAP 1** appears on the left side of the display.
- The laps 1 - 10 can be viewed with the button **-**.
- Press and hold the button **+** for 3 - 5 seconds.
 - ✓ The lap times are deleted.
- Briefly press the button **+**.
 - ✓ Next display mode



Info

When an impulse is received from the wheel speed sensor, the left side of the display changes back to the **SPEED** mode.



7.7 Display mode SPEED (speed)



- Repeatedly press the button briefly until **SPEED** appears on the left side of the display.

The current speed is displayed in the **SPEED** display mode. The current speed can be displayed in **Km/h** or **Mph**.



Info

Make the setting according to the country. When an impulse comes from the front wheel, the left side of the display changes to the **SPEED** mode and the current speed is shown.

7.8 Display mode SPEED/H (operating hours)



Condition

- The motorcycle is stationary.
- Repeatedly press the button briefly until **H** appears at the bottom right of the display.

In display mode **H**, the operating hours of the engine are displayed.

The operating hour counter stores the total traveling time.

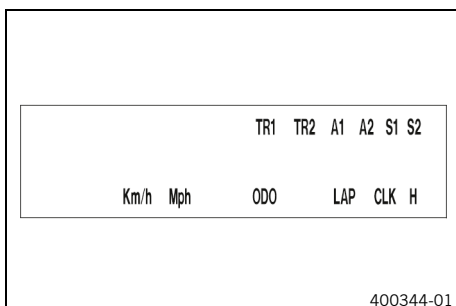


Info

The operating hour counter is necessary for ensuring that service work is carried out at the right intervals. If the combination instrument is in **H** display mode when starting off, it automatically changes to the **ODO** display mode. The **H** display mode is suppressed during the journey.

Press the button for 2–3 seconds.	The display changes to the setup menu for the combination instrument functions.
Briefly press the button .	Next display mode
Press the button for 2–3 seconds.	No function
Briefly press the button .	No function

7.9 Setup menu

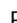






Condition

- The motorcycle is stationary.
- Repeatedly press the button briefly until **H** appears at the bottom right of the display.
- Press the button for 2–3 seconds.

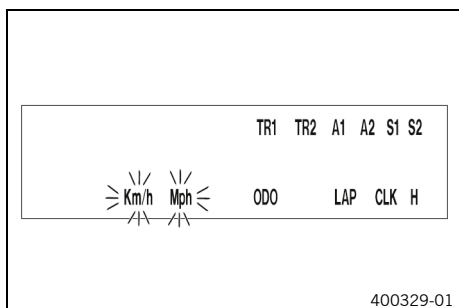
The Setup menu displays the active functions.

i Info




Repeatedly press the button  briefly until the desired function is reached.
If no button is pressed for 20 seconds, the settings are automatically saved.

Briefly press the button  .	Activates the flashing display and changes to the next display
Press the button  for 2–3 seconds.	No function
Briefly press the button  .	Deactivates the flashing display and changes to the next display
Press the button  for 2–3 seconds.	No function
Wait 3 - 5 seconds.	Changes to the next display without changes
Wait 10 - 12 seconds.	Setup menu starts, stores the settings, and changes to H or ODO .

7.10 Adjusting the unit of measurement




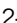


Condition

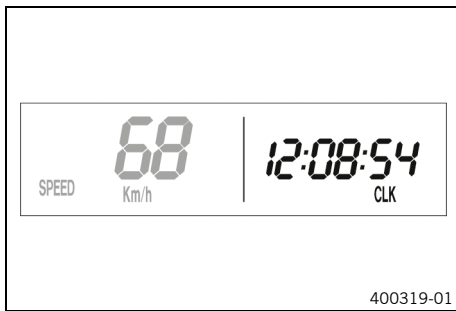
- The motorcycle is stationary.
- Repeatedly press the button  briefly until **H** appears at the bottom right of the display.
- Press the button  for 2–3 seconds.
- Repeatedly press the button  briefly until **Km/h/Mph** flashes. In measurement unit mode, you can change the unit of measurement.


i Info

If no button is pressed for 5 seconds, the settings are automatically saved.





Briefly press the button  .	Starts selection, activates Km/h display
Press the button  for 2–3 seconds.	No function
Briefly press the button  .	Activates Mph display
Press the button  for 2–3 seconds.	No function
Wait 3 - 5 seconds.	Changes to the next display, changes from selection to the Setup menu
Wait 10 - 12 seconds.	Stores and closes the Setup menu

7.11 Display mode SPEED/CLK (time)

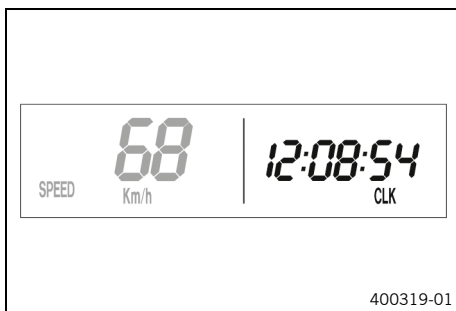


- Repeatedly press the button  briefly until **CLK** appears at the bottom right of the display.


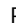
The time is shown in display mode **CLK**.


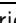


Press the button  for 2–3 seconds.	The display changes to the Setup menu of the clock.
Briefly press the button  .	Next display mode
Press the button  for 2–3 seconds.	No function
Briefly press the button  .	No function

7.12 Setting the clock




Condition

- The motorcycle is stationary.
- Repeatedly press the button  briefly until **CLK** appears at the bottom right of the display.
- Press the button  for 2–3 seconds.

Press the button  for 2–3 seconds.	Increases the value
Briefly press the button  .	Increases the value
Press the button  for 2–3 seconds.	Reduces the value
Briefly press the button  .	Reduces the value
Wait 3 - 5 seconds.	Changes to the next value
Wait 10 - 12 seconds.	Closes the SETUP menu

7.13 Display mode SPEED/LAP (lap time)

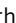





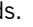

- Repeatedly press the button  briefly until **LAP** appears at the bottom right of the display.

In the **LAP** display mode, up to 10 lap times can be timed with the stop watch.

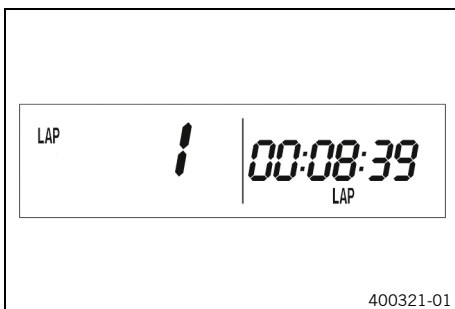


Info



If the lap time continues running after the button  is pressed, 9 memory locations are occupied. Lap 10 must be timed using the button .



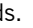

Press the button  for 2–3 seconds.	The stop watch and the lap time are reset.
Briefly press the button  .	Next display mode
Press the button  for 2–3 seconds.	Stops the clock.
Briefly press the button  .	Starts the stop watch or stop the current lap time measurement, stores it and the stop watch starts the next lap.

7.14 Viewing the lap time



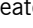
Condition

- The motorcycle is stationary.
- Repeatedly press the button  briefly until **LAP** appears at the bottom right of the display.
- Briefly press the button .



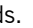

Press the button  for 2–3 seconds.	The stop watch and the lap time are reset.
Briefly press the button  .	Select a lap from 1–10
Press the button  for 2–3 seconds.	No function
Briefly press the button  .	View the next lap time.

7.15 Display mode SPEED/ODO (odometer)

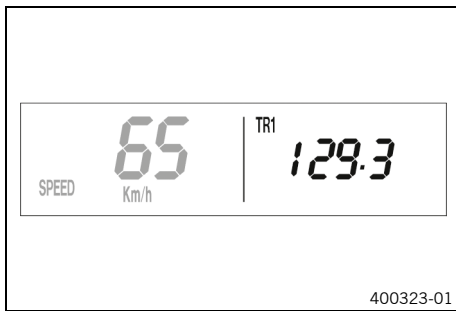


- Repeatedly press the button  briefly until **ODO** appears at the bottom right of the display.

The total traveled distance is shown in display mode **ODO**.

Press the button  for 2–3 seconds.	No function
Briefly press the button  .	Next display mode
Press the button  for 2–3 seconds.	No function
Briefly press the button  .	No function

7.16 Display mode SPEED/TR1 (trip master 1)



- Repeatedly press the button \oplus briefly until **TR1** appears at the top right of the display.

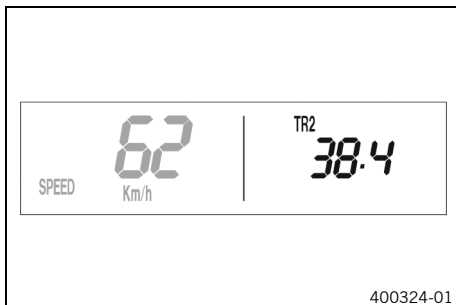
TR1 (trip master 1) runs constantly and counts up to 999.9. You can use it to measure trips or the distance between refueling stops.

TR1 is coupled with **A1** (average speed 1) and **S1** (stop watch 1).

i Info
If 999.9 is exceeded, the values of **TR1**, **A1** and **S1** are automatically reset to 0.0.

Press the button \oplus for 2–3 seconds.	Displays of TR1 , A1 and S1 are reset to 0,0.
Briefly press the button \oplus .	Next display mode
Press the button \ominus for 2–3 seconds.	No function
Briefly press the button \ominus .	No function

7.17 Display mode SPEED/TR2 (trip master 2)

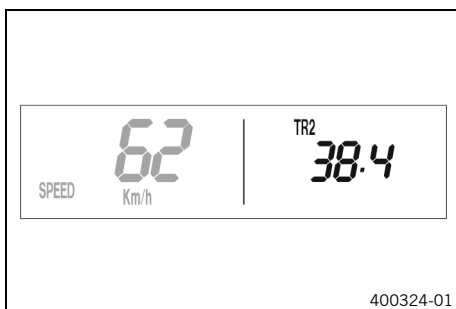


- Repeatedly press the button \oplus briefly until **TR2** appears at the top right of the display.

TR2 (trip master 2) runs constantly and counts up to 999.9.

Press the button \oplus for 2–3 seconds.	Clears the values TR2 and A2 .
Briefly press the button \oplus .	Next display mode
Press the button \ominus for 2–3 seconds.	Reduces value of TR2 .
Briefly press the button \ominus .	Reduces value of TR2 .

7.18 Setting TR2 (trip master 2)



Condition

- The motorcycle is stationary.
- Repeatedly press the button \oplus briefly until **TR2** appears at the top right of the display.
- Press the button \ominus for 2–3 seconds until **TR2** flashes.

The displayed value can be set manually with the button \oplus and the button \ominus . This is a very practical function when riding using the road book.

i Info

The **TR2** value can also be corrected manually during the journey with the button **+** and the button **-**.
If 999.9 is exceeded, the value of **TR2** is automatically reset to 0.0.

Press the button + for 2–3 seconds.	Increases value of TR2 .
Briefly press the button + .	Increases value of TR2 .
Press the button - for 2–3 seconds.	Reduces value of TR2 .
Briefly press the button - .	Reduces value of TR2 .
Wait 10 - 12 seconds.	Stores and closes the Setup menu.

7.19 Display mode SPEED/A1 (average speed 1)



- Repeatedly press the button **+** briefly until **A1** appears at the top right of the display.

A1 (average speed 1) shows the average speed calculated using **TR1** (trip master 1) and **S1** (stop watch 1). The calculation of this value is activated by the first impulse of the wheel speed sensor and ends 3 seconds after the last impulse.

Press the button + for 2–3 seconds.	Displays of TR1 , A1 and S1 are reset to 0.0.
Briefly press the button + .	Next display mode
Press the button - for 2–3 seconds.	No function
Briefly press the button - .	No function

7.20 Display mode SPEED/A2 (average speed 2)



- Repeatedly press the button **+** briefly until **A2** appears at the top right of the display.

A2 (average speed 2) shows the average speed on the basis of the current speed if the stop watch **S2** (stop watch 2) is running.

i Info

The displayed value can differ from the actual average speed if **S2** was not stopped after the ride.

Briefly press the button + .	Next display mode
-------------------------------------	-------------------

7 COMBINATION INSTRUMENT

Press the button \oplus for 2–3 seconds.	No function
Press the button \ominus for 2–3 seconds.	No function
Briefly press the button \ominus .	No function

7.21 Display mode SPEED/S1 (stop watch 1)



- Repeatedly press the button \oplus briefly until **S1** appears at the top right of the display.

S1 (Stop watch 1) shows the riding time based on **TR1** and continues running as soon as an impulse arrives from the wheel speed sensor.

The calculation of this value starts with the first impulse from the wheel speed sensor and ends 3 seconds after the last impulse.

Press the button \oplus for 2–3 seconds.	Displays of TR1 , A1 and S1 are reset to 0.0.
Briefly press the button \oplus .	Next display mode
Press the button \ominus for 2–3 seconds.	No function
Briefly press the button \ominus .	No function

7.22 Display mode SPEED/S2 (stop watch 2)



- Repeatedly press the button \oplus briefly until **S2** appears at the top right of the display.

S2 (Stop watch 2) is a manual stop watch.

If **S2** is running in the background, the display **S2** flashes.

Press the button \oplus for 2–3 seconds.	The displays of S2 and A2 are set to 0,0.
Briefly press the button \oplus .	Next display mode
Press the button \ominus for 2–3 seconds.	No function
Briefly press the button \ominus .	Starts or stops S2 .

7.23 Table of functions

Display	Press the button ⊞ for 2–3 seconds.	Briefly press the button ⊞ .	Press the button ⊟ for 2–3 seconds.	Briefly press the button ⊟ .	Wait 3 - 5 seconds.	Wait 10 - 12 seconds.
Display mode SPEED/H (operating hours)	The display changes to the setup menu for the combination instrument functions.	Next display mode	No function	No function		
Setup menu	No function	Activates the flashing display and changes to the next display	No function	Deactivates the flashing display and changes to the next display	Changes to the next display without changes	Setup menu starts, stores the settings, and changes to H or ODO .
Adjusting the unit of measurement	No function	Starts selection, activates Km/h display	No function	Activates Mph display	Changes to the next display, changes from selection to the Setup menu	Stores and closes the Setup menu
Display mode SPEED/CLK (time)	The display changes to the Setup menu of the clock.	Next display mode	No function	No function		
Setting the clock	Increases the value	Increases the value	Reduces the value	Reduces the value	Changes to the next value	Closes the SETUP menu
Display mode SPEED/LAP (lap time)	The stop watch and the lap time are reset.	Next display mode	Stops the clock.	Starts the stop watch or stop the current lap time measurement, stores it and the stop watch starts the next lap.		
Viewing the lap time	The stop watch and the lap time are reset.	Select a lap from 1–10	No function	View the next lap time.		
Display mode SPEED/ODO (odometer)	No function	Next display mode	No function	No function		
Display mode SPEED/TR1 (trip master 1)	Displays of TR1 , A1 and S1 are reset to 0,0.	Next display mode	No function	No function		

7 COMBINATION INSTRUMENT

Display	Press the button \oplus for 2–3 seconds.	Briefly press the button \oplus .	Press the button \ominus for 2–3 seconds.	Briefly press the button \ominus .	Wait 3 - 5 seconds.	Wait 10 - 12 seconds.
Display mode SPEED/TR2 (trip master 2)	Clears the values TR2 and A2 .	Next display mode	Reduces value of TR2 .	Reduces value of TR2 .		
Setting TR2 (trip master 2)	Increases value of TR2 .	Increases value of TR2 .	Reduces value of TR2 .	Reduces value of TR2 .		Stores and closes the Setup menu.
Display mode SPEED/A1 (average speed 1)	Displays of TR1 , A1 and S1 are reset to 0.0.	Next display mode	No function	No function		
Display mode SPEED/A2 (average speed 2)	No function	Next display mode	No function	No function		
Display mode SPEED/S1 (stop watch 1)	Displays of TR1 , A1 and S1 are reset to 0.0.	Next display mode	No function	No function		
Display mode SPEED/S2 (stop watch 2)	The displays of S2 and A2 are set to 0,0.	Next display mode	No function	Starts or stops S2 .		

7.24 Table of conditions and menu activation

Display	The motorcycle is stationary.	Menu can be activated
Display mode SPEED/H (operating hours)	•	
Setup menu	•	
Adjusting the unit of measurement	•	
Setting the clock	•	
Display mode SPEED/LAP (lap time)		•
Viewing the lap time	•	
Display mode SPEED/TR1 (trip master 1)		•
Display mode SPEED/TR2 (trip master 2)		•
Setting TR2 (trip master 2)	•	
Display mode SPEED/A1 (average speed 1)		•
Display mode SPEED/A2 (average speed 2)		•
Display mode SPEED/S1 (stop watch 1)		•
Display mode SPEED/S2 (stop watch 2)		•

8.1 Advice on preparing for first use



Danger

Danger of accidents A rider who is not fit to ride poses a danger to him or herself and others.

- Do not operate the vehicle if you are not fit to ride due to alcohol, drugs or medication.
- Do not operate the vehicle if you are physically or mentally impaired.



Warning

Risk of injury Missing or poor protective clothing presents an increased safety risk.

- Wear appropriate protective clothing such as helmet, boots, gloves as well as trousers and a jacket with protectors on all rides.
- Always wear protective clothing that is in good condition and meets the legal regulations.



Warning

Danger of crashing Different tire tread patterns on the front and rear wheel impair the handling characteristic.

Different tire tread patterns can make the vehicle significantly more difficult to control.

- Make sure that only tires with a similar tire tread pattern are fitted to the front and rear wheel.



Warning

Danger of accidents An unadapted riding style impairs the handling characteristic.

- Adapt your riding speed to the road conditions and your riding ability.



Warning

Danger of accidents The vehicle is not designed to carry passengers.

- Do not ride with a passenger.



Warning

Danger of accidents The brake system fails in the event of overheating.

If the foot brake lever is not released, the brake linings drag continuously.

- Take your foot off the foot brake lever when you are not braking.



Warning

Danger of accidents Total weight and axle loads influence the handling characteristic.

- Do not exceed the maximum permissible overall weight or the axle loads.



Warning

Risk of misappropriation People who act without authorization endanger themselves and others.

- Do not leave the vehicle unattended if the engine is running.
- Protect the vehicle against access by unauthorized persons.



Info

When using your motorcycle, remember that others may feel disturbed by excessive noise.

- Make sure that the pre-sales inspection work has been carried out by an authorized KTM workshop.
 - ✓ You will receive a delivery certificate when the vehicle is handed over.
- Before riding for the first time, read the entire Owner's Manual carefully.
- Get to know the controls.
- Adjust the basic position of the clutch lever. (📖 p. 87)

(150 EXC TPI EU)

- Adjust the free travel of the handbrake lever. (📖 p. 91)

(150 XC-W TPI US)

- Adjust the basic position of the hand brake lever. (📖 p. 92)
- Adjust the basic position of the foot brake lever. 🗑️ (📖 p. 97)
- Adjust the basic position of the shift lever. 🗑️ (📖 p. 133)
- Get used to handling the motorcycle on a suitable surface before undertaking a more challenging trip.



Info

When offroad, it is recommended that you are accompanied by another person on another vehicle so that you can help each other.

- Try also to ride as slowly as possible and in a standing position to get a better feel for the motorcycle.
- Do not make any off-road trips that exceed your ability and experience.
- Hold the handlebar firmly with both hands and keep your feet on the footrests when riding.
- If you carry luggage, make sure you secure it firmly as close as possible to the center of the vehicle and ensure even weight distribution between the front and rear wheels.



Info

Motorcycles react sensitively to any changes of weight distribution.

- The maximum permissible overall weight and the maximum permissible axle loads must not be exceeded.

Guideline

Maximum permissible overall weight	335 kg (739 lb.)
Maximum permissible front axle load	145 kg (320 lb.)
Maximum permissible rear axle load	190 kg (419 lb.)

- Check the spoke tension. (📖 p. 108)



Info

The spoke tension must be checked after half an hour of operation.

- Run the engine in. (📖 p. 38)

8.2 Running in the engine

- During the running-in phase, do not exceed the specified engine performance.

Guideline

Maximum engine performance	
During the first 3 operating hours	< 70 %
During the first 5 operating hours	< 100 %

- Avoid fully opening the throttle!
- Check the idle speed regularly.

Guideline

Idle speed	1,400 ... 1,600 rpm
------------	---------------------

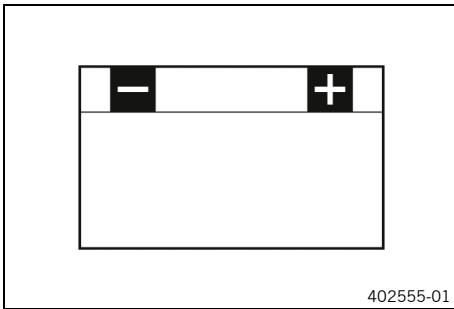


Info

The idle speed may change during the run-in time.

- » If the idle speed changes:
 - Adjust the idle speed. 🗑️ (📖 p. 130)

8.3 Starting power of lithium-ion batteries at low temperatures



Lithium-ion batteries are far lighter than lead batteries, have a low self-discharge rate, and have more starting power at temperatures over 15 °C (60 °F). At low temperatures, however, the starting power of lithium-ion batteries drops to below that of lead batteries.

Multiple starting attempts may be needed. Press the start button for 5 seconds, and wait 30 seconds between attempts. The pauses are necessary so that the heat created can distribute through the lithium-ion battery and the 12-V battery is not damaged.

If the charged lithium-ion battery is unable to actuate the electric starter when temperatures are below 15 °C (60 °F), the battery is not faulty, but needs to be warmed up internally to increase its starting power (current output).

The starting power increases as the battery warms up.

8.4 Preparing the vehicle for difficult operating conditions

i Info

Use of the vehicle under difficult conditions, such as on sand or on wet and muddy surfaces, can result in significantly increased wear of components, such as the drive train, brake system, or suspension components. For this reason, it may be necessary to inspect or replace parts before the next scheduled service.

- Clean the air filter and air filter box. 🛠️ (📖 p. 75)

i Info

Check the air filter approx. every 30 minutes.

- Check the electrical connector for humidity and corrosion and to ensure it is firmly seated.
 - » If humidity, corrosion, or damage is found:
 - Clean and dry the connector, or change it if necessary.

Difficult operating conditions are:

- Rides on dry sand. (📖 p. 39)
- Rides on wet sand. (📖 p. 41)
- Rides on wet and muddy circuits. (📖 p. 42)
- Rides at high temperatures or slow riding. (📖 p. 42)
- Riding at low temperatures and in snow. (📖 p. 43)



8.5 Preparing the vehicle for riding on dry sand



- Check the radiator cap.

Value on the radiator cap	1.8 bar (26 psi)
---------------------------	------------------

- » If the indicated value does not correspond to the setpoint value:



Warning

Danger of scalding During motorcycle operation, the coolant gets very hot and is under pressure.

- Do not open the radiator, the radiator hoses or other cooling system components if the engine or the cooling system are at operating temperature.
- Allow the cooling system and the engine to cool down before you open the radiator, the radiator hoses or other components of the cooling system.
- In the event of scalding, rinse the area affected immediately with lukewarm water.



M01104-01

- Change the radiator cap.
- Mount the air filter dust cover.

Air filter dust cover (79006920000)



Info

Observe the **KTM PowerParts** fitting instructions.



M01105-01

- Mount the air filter sand cover.

Air filter sand cover (79006922000)



Info

Observe the **KTM PowerParts** fitting instructions.



600868-01

- Clean the chain.

Chain cleaner (📖 p. 159)

- Mount the steel sprocket.

- Grease the chain.

Universal oil spray (📖 p. 160)

- Clean the radiator fins.

- Straighten the bent radiator fins carefully.

Condition

Regular use in sand

- Change the piston every 10 operating hours.

8.6 Preparing the vehicle for riding on wet sand



- Check the radiator cap.

Value on the radiator cap	1.8 bar (26 psi)
---------------------------	------------------

- » If the indicated value does not correspond to the setpoint value:



Warning

Danger of scalding During motorcycle operation, the coolant gets very hot and is under pressure.

- Do not open the radiator, the radiator hoses or other cooling system components if the engine or the cooling system are at operating temperature.
- Allow the cooling system and the engine to cool down before you open the radiator, the radiator hoses or other components of the cooling system.
- In the event of scalding, rinse the area affected immediately with lukewarm water.

- Change the radiator cap.



- Mount the air filter rain cover.

Air filter rain cover (79006921000)



Info

Observe the **KTM PowerParts** fitting instructions.



- Clean the chain.

Chain cleaner (📖 p. 159)

- Mount the steel sprocket.
- Grease the chain.

Universal oil spray (📖 p. 160)

- Clean the radiator fins.
- Straighten the bent radiator fins carefully.

Condition

Regular use in sand

- Change the piston every 10 operating hours.

8.7 Preparing the vehicle for riding on wet and muddy circuits



- Mount the air filter rain cover.

Air filter rain cover (79006921000)

i Info

Observe the **KTM PowerParts** fitting instructions.



- Mount the steel sprocket.
- Clean motorcycle. (📖 p. 143)
- Straighten the bent radiator fins carefully.

8.8 Preparing vehicle for high temperatures or slow riding



- Check the radiator cap.

Value on the radiator cap	1.8 bar (26 psi)
---------------------------	------------------

- » If the indicated value does not correspond to the setpoint value:



Warning

Danger of scalding During motorcycle operation, the coolant gets very hot and is under pressure.

- Do not open the radiator, the radiator hoses or other cooling system components if the engine or the cooling system are at operating temperature.
- Allow the cooling system and the engine to cool down before you open the radiator, the radiator hoses or other components of the cooling system.
- In the event of scalding, rinse the area affected immediately with lukewarm water.

- Change the radiator cap.



- Adjust the secondary drive to the road conditions.

i Info
The transmission oil heats up quickly when the clutch is operated frequently due to an excessively high secondary drive.

- Clean the chain.

Chain cleaner (📖 p. 159)

- Clean the radiator fins.
- Straighten bent radiator fins carefully.
- Check the coolant level. (📖 p. 124)



8.9 Preparing the vehicle for low temperatures or snow



- Mount the air filter rain cover.

Air filter rain cover (79006921000)

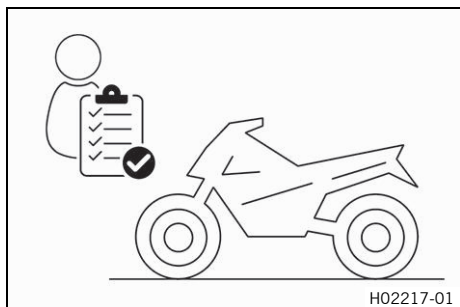
i Info
Observe the **KTM PowerParts** fitting instructions.



9.1 Checks and maintenance measures when preparing for use

i Info

Before every trip, check the condition of the vehicle and ensure that it is safe to operate. The vehicle must be in perfect technical condition when it is being operated.



- Check the gear oil level. (📖 p. 140)
- Check the electrical system.
- Check front brake fluid level. (📖 p. 93)
- Check the rear brake fluid level. (📖 p. 98)
- Check the front brake linings. (📖 p. 94)
- Check the brake linings of the rear brake. (📖 p. 100)
- Check that the brake system is functioning properly.
- Check the coolant level. (📖 p. 124)
- Check the chain for dirt. (📖 p. 80)
- Check the chain, rear sprocket, engine sprocket, and chain guide. (📖 p. 83)
- Check the chain tension. (📖 p. 81)
- Check the tire condition. (📖 p. 107)
- Check tire pressure. (📖 p. 107)
- Check the spoke tension. (📖 p. 108)

i Info

The spoke tension must be checked regularly as incorrect spoke tension will strongly impair riding safety.

- Clean the dust boots of the fork legs. (📖 p. 63)
- Bleed the fork legs. (📖 p. 62)
- Check the air filter.
- Check the settings of all controls and ensure that they can be operated smoothly.
- Check all screws, nuts, and hose clamps regularly for tightness.
- Check the fuel level.
- Check 2-stroke oil level. (📖 p. 135)

9.2 Starting the vehicle



Danger

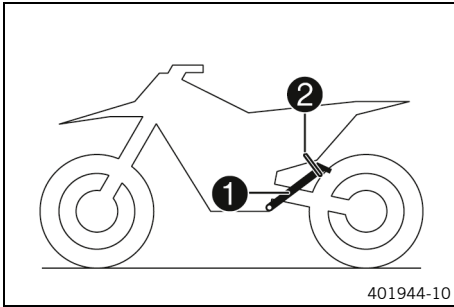
Danger of poisoning Exhaust gases are toxic and inhaling them may result in unconsciousness and death.

- Always make sure there is sufficient ventilation when running the engine.
- Use effective exhaust extraction when starting or running the engine in an enclosed space.

Note

Engine damage High revving speed with a cold engine negatively impacts the lifespan of the engine.

- Always run the engine warm at a low speed.



- Take the motorcycle off side stand ① and secure the side stand with rubber strap ②.
- Shift the transmission to neutral position.

Condition

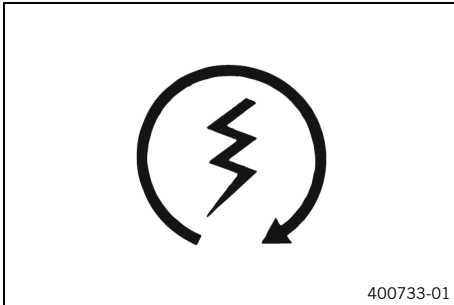
Ambient temperature: < 10 °C (< 50 °F)

- Pull the cold start button fully out and turn it by a ¼ turn.



Info

If the engine is warm, the cold start button must be deactivated.



- Press the start button or press the kick starter lever forcefully all the way.



Info

Do not open the throttle.

Press the start button for a maximum of 5 seconds.

Wait for 30 seconds before a further attempt at starting.

At temperatures below 15 °C (60 °F), several attempts at starting may be necessary to warm-up the lithium-ion battery and thereby increase the starting power.

During the starting process, the malfunction indicator lamp lights up.

9.3 Starting off



Info

Switch on the light before riding the vehicle. You will be seen earlier by other motorists.

When you are riding, the side stand must be folded up and secured with the rubber strap.

- Pull the clutch lever, shift into first gear, release the clutch lever slowly and at the same time open the throttle carefully.

9.4 Shifting, riding



Warning

Danger of accidents If you change down at high engine speed, the rear wheel blocks and the engine races.

- Do not change into a low gear at high engine speed.



Warning

Engine failure The engine will not be lubricated unless there is 2-stroke oil in the oil tank.

If the oil level warning light lights up, the 2-stroke oil is sufficient for the remaining tank of fuel.

- As soon as the oil level warning light lights up, ride for no longer than until the remaining fuel in the tank is depleted.
- At the next opportunity add 2-stroke oil before you refuel.
- Time the oil pump if the 2-stroke oil hose has been removed or the 2-stroke oil tank has been fully depleted in error.

Info

If you hear unusual noises while riding, stop immediately, switch off the engine, and contact an authorized KTM workshop.
First gear is used for starting off and for steep inclines.

- Shift into a higher gear when conditions allow (incline, road situation, etc.). To do so, release the throttle while simultaneously pulling the clutch lever, shift into the next gear, release the clutch lever and open the throttle.
- If the cold start function was activated, deactivate the cold start button after the engine has warmed up.
- After reaching maximum speed by fully opening the throttle grip, turn the throttle back so it is $\frac{3}{4}$ open. This will barely reduce the speed, but fuel consumption will be considerably lower.
- Always open the throttle only as much as the engine can handle – abrupt throttle opening increases fuel consumption.
- To shift down, apply the brakes and close the throttle at the same time.
- Pull the clutch lever and shift into a lower gear, release the clutch lever slowly, and either open the throttle or shift again.
- Switch off the engine if running at idle speed or stationary for a long time.

Guideline

≥ 2 min

- Avoid frequent and longer slipping of the clutch. This causes the gear oil, engine and cooling system to heat up.
- Ride at a low engine speed instead of at a high engine speed with a slipping clutch.

9.5 Braking



Warning

Danger of accidents Excessively forceful application of the brakes blocks the wheels.

- Adjust application of the brakes to the respective riding situation and riding surface conditions.



Warning

Danger of accidents A spongy pressure point on the front or rear brake reduces braking efficiency.

- Check the brake system and do not continue riding until the problem is eliminated. (Your authorized KTM workshop will be glad to help.)



Warning

Danger of accidents Moisture and dirt impair the brake system.

- Brake carefully several times to dry out and remove dirt from the brake linings and the brake discs.

- On sandy, wet or slippery surfaces, use the rear brake.
- Braking should always be completed before you go into a bend. Change down to a lower gear appropriate to your road speed.

9.6 Stopping, parking



Warning

Risk of misappropriation People who act without authorization endanger themselves and others.

- Do not leave the vehicle unattended if the engine is running.
- Protect the vehicle against access by unauthorized persons.



Warning

Danger of burns Some vehicle components become very hot when the vehicle is operated.

- Do not touch any parts such as the exhaust system, radiator, engine, shock absorber, or brake system before the vehicle parts have cooled down.
- Let the vehicle parts cool down before you perform any work on the vehicle.

Note

Material damage The vehicle may be damaged by incorrect procedure when parking.

Significant damage may be caused if the vehicle rolls away or falls over.

The components for parking the vehicle are designed only for the weight of the vehicle.

- Park the vehicle on a firm and level surface.
- Ensure that nobody sits on the vehicle when the vehicle is parked on a stand.


Note

Fire hazard Hot vehicle components pose a fire hazard and explosion risk.


- Do not park the vehicle near to materials which are highly flammable or explosive.
- Allow the vehicle to cool down before covering it.

- Apply the brakes on the motorcycle.
- Shift the transmission to neutral position.

(150 EXC TPI EU)

- Press and hold the switch-off button  while the engine is idling until the engine stops.

(150 XC-W TPI US)

- Press and hold the switch-off button  while the engine is idling until the engine stops.
- Park the motorcycle on firm ground.



9.7 Transporting

Note

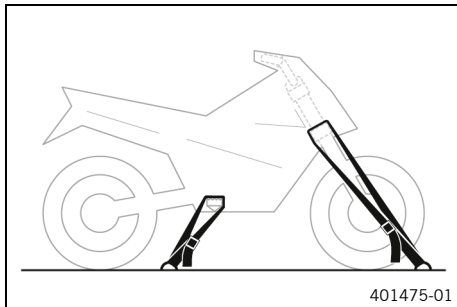
Danger of damage The parked vehicle can roll away or fall over.

- Park the vehicle on a firm and level surface.

Note

Fire hazard Hot vehicle components pose a fire hazard and explosion risk.

- Do not park the vehicle near to materials which are highly flammable or explosive.
- Allow the vehicle to cool down before covering it.



- Switch off the engine.
- Use tension belts or other suitable devices to secure the motorcycle against falling over or rolling away.

9.8 Refueling



Danger

Fire hazard Fuel is highly flammable.

The fuel in the fuel tank expands when warm and can escape if overfilled.

- Do not refuel the vehicle in the vicinity of open flames or lit cigarettes.
- Switch off the engine for refueling.
- Make sure that no fuel is spilled; particularly not on hot parts of the vehicle.
- If any fuel is spilled, wipe it off immediately.
- Observe the specifications for refueling.



Warning

Danger of poisoning Fuel is poisonous and a health hazard.

- Avoid skin, eye and clothing contact with fuel.
- Immediately consult a doctor if you swallow fuel.
- Do not inhale fuel vapors.
- In case of skin contact, rinse the affected area with plenty of water.
- Rinse the eyes thoroughly with water, and consult a doctor in case of fuel contact with the eyes.
- Change your clothing in case of fuel spills on them.

Note

Material damage Inadequate fuel quality causes the fuel filter to quickly become clogged.

In some countries and regions, the available fuel quality and cleanliness may not be sufficient. This will result in problems with the fuel system.

- Refuel only with clean fuel that meets the specified standards. (Your authorized KTM workshop will be glad to help.)

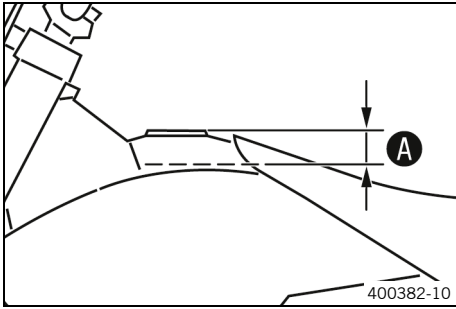


Note

Environmental hazard Improper handling of fuel is a danger to the environment.

- Do not allow fuel to enter the groundwater, the soil, or the sewage system.

- Open the fuel tank filler cap. (🔧 p. 19)



- Fill the fuel tank with fuel up to level **A**.

Guideline

Level A	35 mm (1.38 in)	
Total fuel tank capacity, approx.	8.5 l (2.25 US gal)	Super unleaded (ROZ 95/RON 95/PON 91) (📖 p. 158)

i Info
Do not refuel using pre-mixed fuel.

- Close the fuel tank filler cap. (📖 p. 20)



9.9 Adding 2-stroke oil

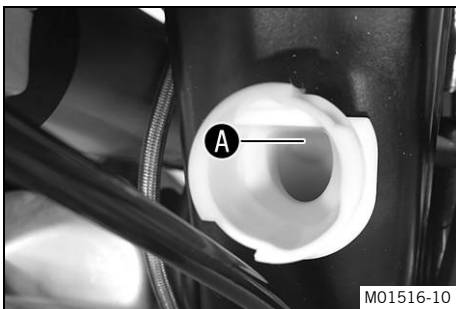


Warning

Engine failure The engine will not be lubricated unless there is 2-stroke oil in the oil tank.

If the oil level warning light lights up, the 2-stroke oil is sufficient for the remaining tank of fuel.

- As soon as the oil level warning light lights up, ride for no longer than until the remaining fuel in the tank is depleted.
- At the next opportunity add 2-stroke oil before you refuel.
- Time the oil pump if the 2-stroke oil hose has been removed or the 2-stroke oil tank has been fully depleted in error.



- Open 2-stroke oil tank cap. (📖 p. 20)
- Fill the 2-stroke oil tank up to the lower edge **A** of the filler neck.

2-stroke oil tank content approx.	0.6 l (0.6 qt.)	Engine oil, 2-stroke (📖 p. 157)
-----------------------------------	-----------------	------------------------------------

- Close 2-stroke oil tank cap. (📖 p. 21)



10.1 Additional information

Any further work that results from the compulsory work or from the recommended work must be ordered separately and invoiced separately.

Different service intervals may apply in your country, depending on the local operating conditions.

Individual service intervals and scopes may change in the course of technical developments. The most up-to-date service schedule can always be found on KTM Dealer.net. Your authorized KTM dealer will be happy to advise you.

10.2 Required work

	Every 10 operating hours when used for motorsports				
	Every 40 operating hours				
	Every 20 operating hours				
	After 5 operating hours				
	After 1 operating hour				
Read out the fault memory using the KTM diagnostics tool. 🛠️	○	○	●	●	●
Check that the electrical system is functioning properly.	○		●	●	●
Check and charge the 12-V battery. 🛠️			●	●	●
Check the front brake linings. (📖 p. 94)			●	●	●
Check the brake linings of the rear brake. (📖 p. 100)			●	●	●
Check the brake discs. (📖 p. 92)			●	●	●
Check the brake lines for damage and leakage.			●	●	●
Check the rear brake fluid level. (📖 p. 98)			●	●	●
Check the free travel of the foot brake lever. (📖 p. 97)			●	●	●
Check the frame. 🛠️ (📖 p. 86)			●	●	●
Check the link fork. 🛠️ (📖 p. 86)			●	●	●
Check the fork bearing for play. 🛠️			●	●	
Check the heim joint for play.			●	●	
Check the tire condition. (📖 p. 107)	○		●	●	●
Check tire pressure. (📖 p. 107)	○		●	●	●
Check the wheel bearing for play. 🛠️			●	●	●
Check the wheel hubs. 🛠️			●	●	●
Check the rim run-out. 🛠️	○		●	●	
Check the spoke tension. (📖 p. 108)	○		●	●	●
Check the chain, rear sprocket, engine sprocket, and chain guide. (📖 p. 83)			●	●	●
Check the chain tension. (📖 p. 81)	○		●	●	●
Grease all moving parts (e.g. side stand, hand lever, chain, etc.) and check for smooth operation. 🛠️			●	●	●
Check/correct the fluid level of the hydraulic clutch. (📖 p. 88)			●	●	●
Check front brake fluid level. (📖 p. 93)			●	●	●
Check the free travel of the hand brake lever. (📖 p. 91)			●	●	●
Check steering head bearing play. (📖 p. 68)	○		●	●	
Change the spark plug and spark plug connector. 🛠️				●	●
Check the reed valve housing, reed valve and intake flange. 🛠️			●	●	
Change the gear oil. 🛠️ (📖 p. 140)		○		●	●
Check all hoses (e.g. fuel, cooling, bleeder, drainage, etc.) and sleeves for cracking, leaks, and incorrect routing. 🛠️	○		●	●	●

	Every 10 operating hours when used for motorsports	Every 40 operating hours	Every 20 operating hours	After 5 operating hours	After 1 operating hour
Check the antifreeze and coolant level. (📖 p. 123)	○	●	●	●	●
Check the cables for damage and for routing without kinks. 🛠️		●	●	●	
Check that the throttle cables are undamaged, routed without sharp bends, and set correctly.	○	●	●	●	
Clean the air filter and air filter box. 🛠️ (📖 p. 75)		●	●	●	
Change the glass fiber yarn filling in the main silencer. 🛠️ (📖 p. 76)		●	●		
Service the fork. 🛠️				●	
Service the shock absorber. 🛠️				●	
Check the tightness of the easily accessible, safety-relevant screws and nuts. 🛠️	○	●	●	●	
Change the fuel screen. 🛠️ (📖 p. 134)	○	●	●	●	
Check the fuel pressure. 🛠️		●	●	●	
Check the headlight setting. (📖 p. 120)	○	●	●	●	
Check the idle speed. 🛠️		●	●	●	
Final check: Check the vehicle for operating safety and take a test ride. 🛠️	○	○	●	●	●
Read out the error memory after the test ride using the KTM diagnostics tool. 🛠️	○	○	●	●	●
Make a service entry in KTM Dealer.net . 🛠️	○	○	●	●	●

- One-time interval
- Periodic interval

10.3 Recommended work

	Every 40 operating hours when used for motorsports	Every 10 operating hours when used for motorsports	Every 80 operating hours	Every 40 operating hours	After 20 operating hours	After 10 operating hours	every 12 months
Change the front brake fluid. 🛠️	●						
Change the rear brake fluid. 🛠️	●						
Change the hydraulic clutch fluid. 🛠️ (📖 p. 89)	●						
Lubricate the steering head bearing. 🛠️ (📖 p. 70)	●						
Clean the pressure sensor hose. 🛠️	●			●			●
Service the fork. 🛠️		○					
Service the shock absorber. 🛠️		○					
Check the electric starter drive. 🛠️				●	●		
Change the fuel filter. 🛠️				●			●
Change the piston and check the cylinder. 🛠️				●	●	●	●
Change the oil pump; clean the oil screen. 🛠️				●			
Clean the oil screen in the oil tank. 🛠️ (📖 p. 137)				●			
Clean the protection cap of the pressure sensor. 🛠️				●	●	●	●

10 SERVICE SCHEDULE

	Every 40 operating hours when used for motorsports	Every 10 operating hours when used for motorsports	Every 80 operating hours	Every 40 operating hours	After 20 operating hours	After 10 operating hours	every 12 months
Perform minor engine service. (Check the exhaust control for functioning and smooth operation. Check the clutch.) 🐾				•	•	•	•
Perform major engine service including removing and installing the engine. (Change the connecting rod, conrod bearing, and crank pin. Clean the hose connections of the pressure sensor. Check the transmission and the shift mechanism. Change all engine bearings.) 🐾						•	•

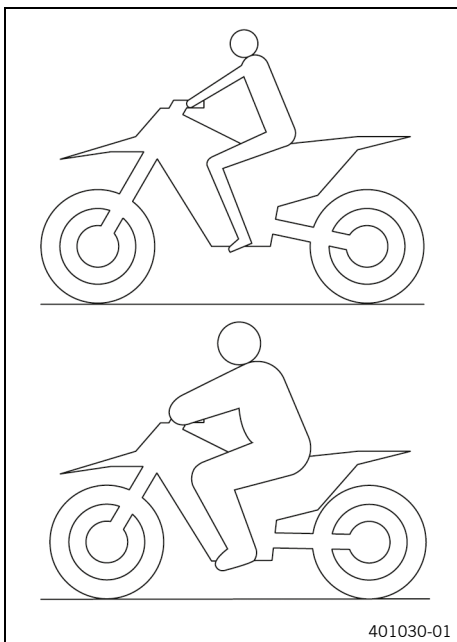
- One-time interval
- Periodic interval

11.1 Checking the basic chassis setting with rider's weight



Info

When adjusting the basic chassis setting, first adjust the shock absorber and then the fork.



401030-01

- For optimal motorcycle riding characteristics and to avoid damage to forks, shock absorbers, link fork and frame, the basic settings of the suspension components must match the rider's weight.
- As delivered, KTM offroad motorcycles are adjusted for an average rider's weight (with full protective clothing).

Guideline

Standard rider weight	75 ... 85 kg (165 ... 187 lb.)
-----------------------	--------------------------------

- If the rider's weight is above or below this range, the basic setting of the suspension components must be adjusted accordingly.
- Small weight differences can be compensated by adjusting the spring preload, but in the case of large weight differences, the springs must be replaced.



11.2 Compression damping of the shock absorber

The compression damping of the shock absorber is divided into two ranges: high-speed and low-speed. High-speed and low-speed refer to the compression speed of the rear wheel suspension and not to the vehicle speed.

The high-speed compression adjuster has an effect, for example, when landing after a jump: the rear wheel suspension compresses quickly.

The low-speed compression adjuster has an effect, for example, when riding over long ground swells: the rear wheel suspension compresses slowly.

These two ranges can be adjusted separately, although the transition between high-speed and low-speed is gradual. Thus, modifications in the high-speed range affect the compression damping in the low-speed range and vice versa.

11.3 Adjusting the low-speed compression damping of the shock absorber



Caution

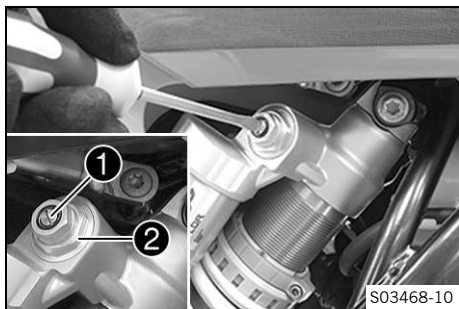
Risk of injury Parts of the shock absorber will move around if the shock absorber is detached incorrectly. The shock absorber is filled with highly compressed nitrogen.

- Please follow the description provided. (Your authorized KTM workshop will be glad to help.)



Info

The effect of the low-speed compression adjuster can be seen in slow to normal compression of the shock absorber.



- Turn adjusting screw **1** clockwise with a screwdriver as far as the last perceptible click.

i Info
Do not loosen fitting **2**!

- Turn counterclockwise by the number of clicks corresponding to the shock absorber type.

Guideline

Low-speed compression damping	
Comfort	18 clicks
Standard	15 clicks
Sport	12 clicks

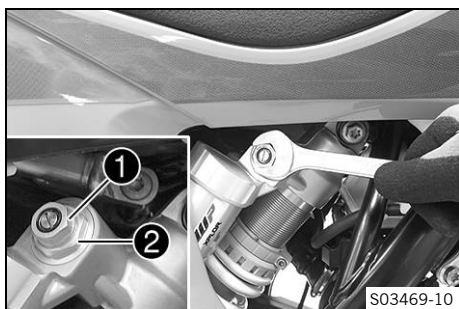
i Info
Turn clockwise to increase the damping; turn counterclockwise to reduce the damping.

11.4 Adjusting the high-speed compression damping of the shock absorber

! Caution
Risk of injury Parts of the shock absorber will move around if the shock absorber is detached incorrectly. The shock absorber is filled with highly compressed nitrogen.

- Please follow the description provided. (Your authorized KTM workshop will be glad to help.)

i Info
The effect of the high-speed compression adjuster can be seen in fast compression of the shock absorber.



- Using an open end wrench, turn adjusting screw **1** clockwise all the way.

i Info
Do not loosen fitting **2**!

- Turn counterclockwise by the number of turns corresponding to the shock absorber type.

Guideline

High-speed compression damping	
Comfort	2.5 turns
Standard	2 turns
Sport	1 turn

i Info
Turn clockwise to increase the damping; turn counterclockwise to reduce the damping.

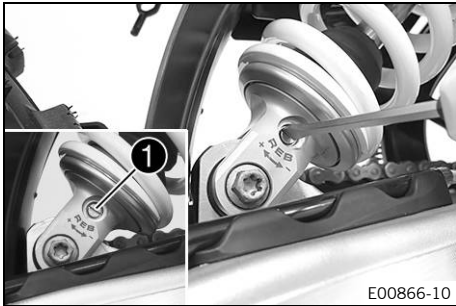
11.5 Adjusting the rebound damping of the shock absorber



Caution

Risk of injury Parts of the shock absorber will move around if the shock absorber is detached incorrectly. The shock absorber is filled with highly compressed nitrogen.

- Please follow the description provided. (Your authorized KTM workshop will be glad to help.)



- Turn adjusting screw **1** clockwise up to the last perceptible click.
- Turn counterclockwise by the number of clicks corresponding to the shock absorber type.

Guideline

Rebound damping	
Comfort	18 clicks
Standard	15 clicks
Sport	12 clicks



Info

Turn clockwise to increase the damping; turn counterclockwise to reduce damping when the shock absorber rebounds.



11.6 Measuring the dimension of the rear wheel unloaded

Preparatory work

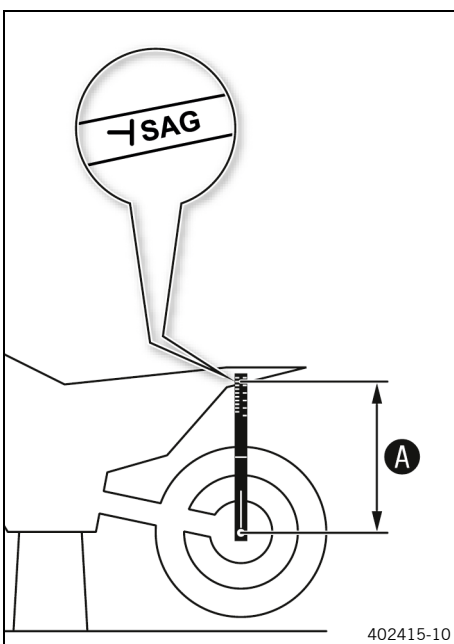
- Raise the motorcycle with a lift stand. (📖 p. 62)

Main work

- Position the sag gage in the rear axle and measure the distance to marking **SAG** on the rear fender.

Sag gauge (00029090100)
Sag gage pin (00029990010)

- Note the value as dimension **A**.

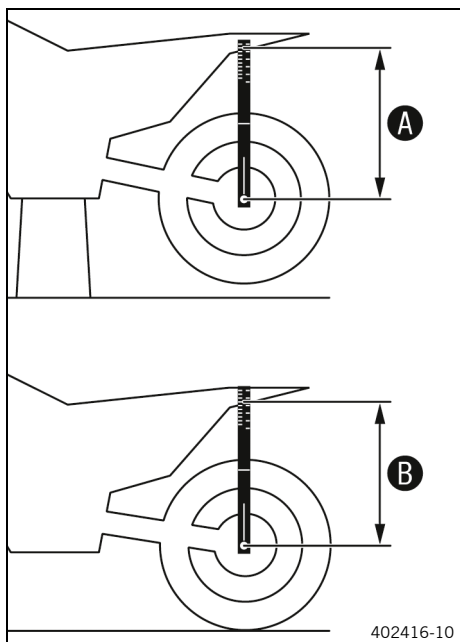


Finishing work

- Remove the motorcycle from the lift stand. (📖 p. 62)



11.7 Checking the static sag of the shock absorber



- Measure dimension **A** of rear wheel unloaded. (📖 p. 55)
- Hold the motorcycle upright with aid of an assistant.
- Measure the distance again between the rear axle and marking **SAG** on the rear fender using the sag gage.
- Note the value as dimension **B**.

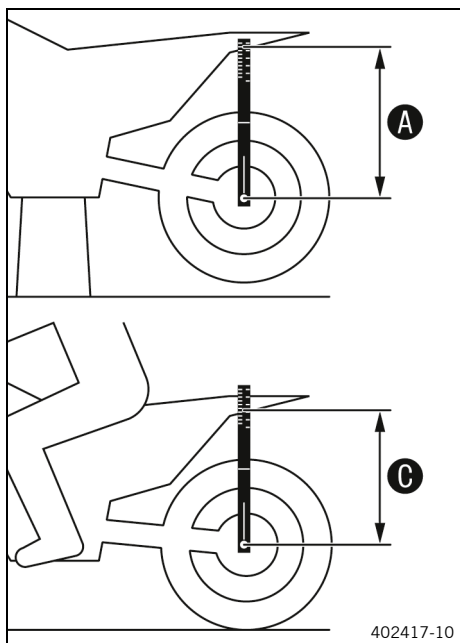
i Info
The static sag is the difference between measurements **A** and **B**.

- Check the static sag.

Static sag	37 mm (1.46 in)
------------	-----------------

- » If the static sag is less or more than the specified value:
 - Adjust the spring preload of the shock absorber. (🔧 p. 57)

11.8 Checking the riding sag of the shock absorber



- Measure dimension **A** of rear wheel unloaded. (📖 p. 55)
- With another person holding the motorcycle, the rider, wearing full protective clothing, sits on the seat in a normal sitting position (feet on footrests) and bounces up and down a few times.
 - ✓ The rear wheel suspension levels out.
- Another person again measures the distance between the rear axle and marking **SAG** on the rear fender using the sag gage.
- Note the value as dimension **C**.

i Info
The riding sag is the difference between measurements **A** and **C**.

- Check riding sag.

Riding sag	110 mm (4.33 in)
------------	------------------

- » If the riding sag differs from the specified measurement:
 - Adjust the riding sag. (🔧 p. 58)

11.9 Adjusting the spring preload of the shock absorber ↗



Caution

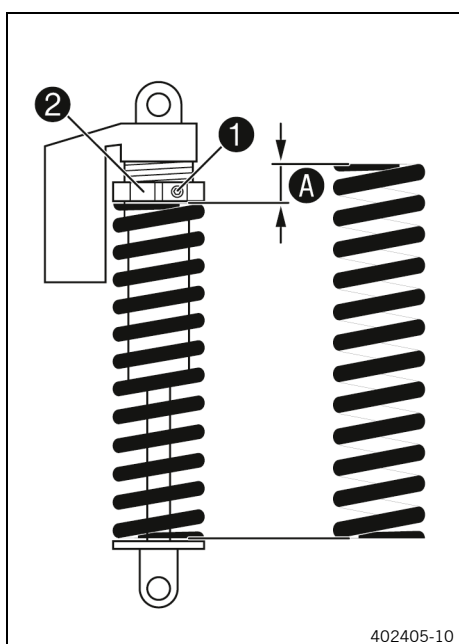
Risk of injury Parts of the shock absorber will move around if the shock absorber is detached incorrectly. The shock absorber is filled with highly compressed nitrogen.

- Please follow the description provided. (Your authorized KTM workshop will be glad to help.)



Info

Before changing the spring preload, make a note of the present setting, e.g., by measuring the spring length.



Preparatory work

- Raise the motorcycle with a lift stand. (📖 p. 62)
- Remove the shock absorber. ↗ (📖 p. 71)
- After removing the shock absorber, clean it thoroughly.

Main work

- Loosen screw ①.
- Turn adjusting ring ② until the spring is no longer under tension.

Hook wrench (90129051000)

- Measure the total spring length while the spring is not under tension.



Info

If the spring cannot be fully released, the spring must be removed to accurately measure the spring length.

- Tension the spring by turning adjusting ring ② to specified dimension A.

Guideline

Spring preload	10 mm (0.39 in)
----------------	-----------------



Info

Depending on the static sag and/or the riding sag, it may be necessary to increase or decrease the spring preload.

- Tighten screw ①.

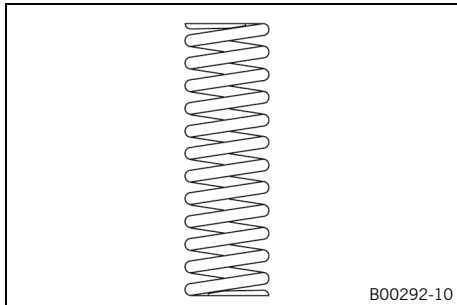
Guideline

Screw, shock absorber adjusting ring	M5	5 Nm (3.7 lbf ft)
--------------------------------------	----	-------------------

Finishing work

- Install the shock absorber. ↗ (📖 p. 71)
- Remove the motorcycle from the lift stand. (📖 p. 62)

11.10 Adjusting the riding sag 🛠️



Preparatory work

- Raise the motorcycle with a lift stand. (📖 p. 62)
- Remove the shock absorber. 🛠️ (📖 p. 71)
- After removing the shock absorber, clean it thoroughly.

Main work

- Choose and mount a suitable spring.

Guideline

Spring rate	
Weight of rider: 65 ... 75 kg (143 ... 165 lb.)	54 ... 60 N/mm (308 ... 343 lb/in)
Weight of rider: 75 ... 85 kg (165 ... 187 lb.)	57 ... 63 N/mm (325 ... 360 lb/in)
Weight of rider: 85 ... 95 kg (187 ... 209 lb.)	60 ... 66 N/mm (343 ... 377 lb/in)



Info

The spring rate is shown on the outside of the spring.

Finishing work

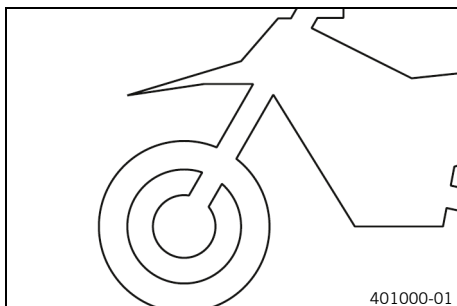
- Install the shock absorber. 🛠️ (📖 p. 71)
- Remove the motorcycle from the lift stand. (📖 p. 62)
- Check the static sag of the shock absorber. (📖 p. 56)
- Check the riding sag of the shock absorber. (📖 p. 56)
- Adjust the rebound damping of the shock absorber. (📖 p. 55)

11.11 Checking the basic setting of the fork



Info

For various reasons, no exact riding sag can be determined for the fork.



- As with the shock absorber, smaller differences in the rider's weight can be compensated by the spring preload.
- However, if the fork frequently bottoms out (hard end stop on compression), harder springs must be fitted to avoid damage to the fork and frame.
- If the fork feels unusually hard after extended periods of operation, the fork legs need to be bled.

11.12 Adjusting the compression damping of the fork

i Info

The hydraulic compression damping determines the fork suspension behavior.



- Turn white adjuster **1** clockwise as far as it will go.

i Info

Adjuster **1** is located at the upper end of the left fork leg.

The compression damping is located in left fork leg **COMP** (white adjuster). The rebound damping is located in right fork leg **REB** (red adjuster).

- Turn counterclockwise by the number of clicks corresponding to the fork type.

Guideline

Compression damping	
Comfort	18 clicks
Standard	15 clicks
Sport	12 clicks

i Info

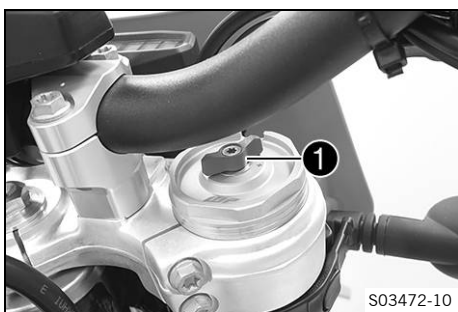
Turn clockwise to increase damping; turn counterclockwise to reduce damping during compression.



11.13 Adjusting the rebound damping of the fork

i Info

The hydraulic rebound damping determines the fork suspension behavior.



- Turn red adjuster **1** clockwise as far as it will go.

i Info

Adjuster **1** is located at the upper end of the right fork leg.

The rebound damping is located in right fork leg **REB** (red adjuster). The compression damping is located in left fork leg **COMP** (white adjuster).

- Turn counterclockwise by the number of clicks corresponding to the fork type.

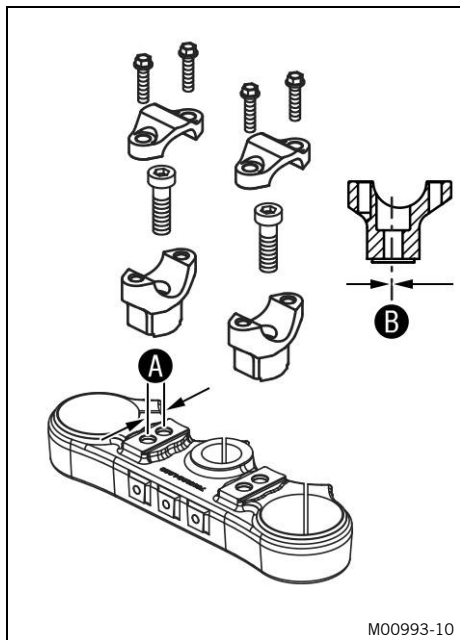
Guideline

Rebound damping	
Comfort	18 clicks
Standard	15 clicks
Sport	12 clicks

i Info

Turn clockwise to increase the damping; turn counter-clockwise to reduce damping when the shock absorber rebounds.

11.14 Handlebar position



On the upper triple clamp, there are 2 holes at a distance of **A** to each other.

Hole distance A	15 mm (0.59 in)
-----------------	-----------------

The holes on the handlebar support are placed at a distance of **B** from the center.

Hole distance B	3.5 mm (0.138 in)
-----------------	-------------------

The handlebar can be mounted in four different positions. This allows the handlebar to be mounted in the most comfortable position for the rider.

11.15 Adjusting the handlebar position

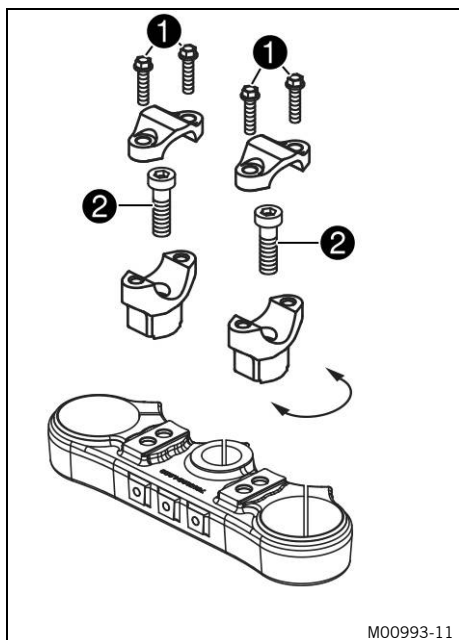


Warning

Danger of accidents A repaired handlebar poses a safety risk.

If the handlebar is bent or straightened, the material becomes fatigued. The handlebar may break as a result.

- Change the handlebar if the handlebar is damaged or bent.



- Remove screws ①. Take off the handlebar clamps. Remove the handlebar and lay it to one side.

i Info
Cover the components to protect them against damage. Do not kink the cables and lines.

- Remove screws ②. Take off the handlebar supports.
- Place the handlebar supports in the required position. Mount and tighten screws ②.

Guideline

Screw, handlebar support	M10	40 Nm (29.5 lbf ft) Loctite®243™
--------------------------	-----	--

i Info
Position the left and right handlebar supports evenly.

- Position the handlebar.

i Info
Make sure the cables and wiring are positioned correctly.

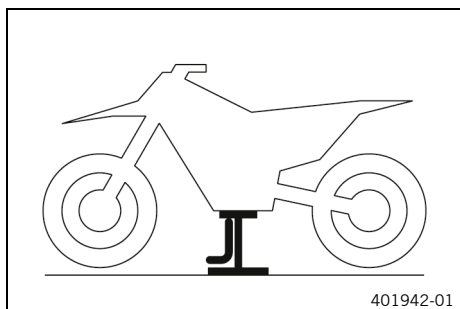
- Position the handlebar clamps. Mount screws ① and tighten evenly.

Guideline

Screw, handlebar clamp	M8	20 Nm (14.8 lbf ft)
------------------------	----	---------------------

i Info
Make sure the gap widths are even.

12.1 Raising the motorcycle with a lift stand



Note

Danger of damage The parked vehicle can roll away or fall over.

- Park the vehicle on a firm and level surface.
- Raise the motorcycle at the frame underneath the engine.

Lift stand (78129955100)

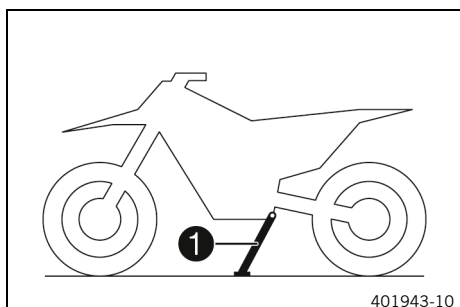
- ✓ Neither wheel is in contact with the ground.
- Secure the motorcycle against falling over.

12.2 Removing the motorcycle from the lift stand

Note

Danger of damage The parked vehicle can roll away or fall over.

- Park the vehicle on a firm and level surface.

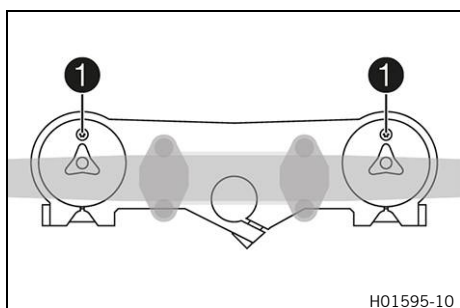


- Remove the motorcycle from the lift stand.
- Remove the lift stand.
- To park the motorcycle, press side stand ① to the ground with your foot and lean the motorcycle on it.

Info

When you are riding, the side stand must be folded up and secured with the rubber strap.

12.3 Bleeding the fork legs



Preparatory work

- Raise the motorcycle with a lift stand. (📖 p. 62)

Main work

- Release bleeder screws ①.
- ✓ Any excess pressure escapes from the interior of the fork.
- Tighten the bleeder screws.

Finishing work

- Remove the motorcycle from the lift stand. (📖 p. 62)

12.4 Cleaning the dust boots of the fork legs

Preparatory work

- Raise the motorcycle with a lift stand. (📖 p. 62)
- Remove the fork protector. (📖 p. 63)

Main work

- Push dust boots ❶ of both fork legs downward.



Info

The dust boots remove dust and coarse dirt particles from the inside fork tubes. Over time, dirt can accumulate behind the dust boots. If this dirt is not removed, the oil seals behind can start to leak.



Warning

Danger of accidents Oil or grease on the brake discs reduces the braking effect.

- Always keep the brake discs free of oil and grease.
- Clean the brake discs with brake cleaner when necessary.

- Clean and oil the dust boots and inner fork tubes of both fork legs.

Universal oil spray (📖 p. 160)

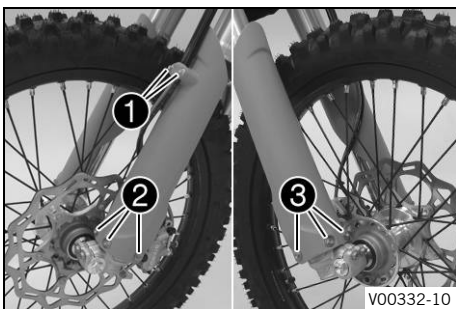
- Press the dust boots back into their installation position.
- Remove excess oil.

Finishing work

- Install the fork protector. (📖 p. 64)
- Remove the motorcycle from the lift stand. (📖 p. 62)



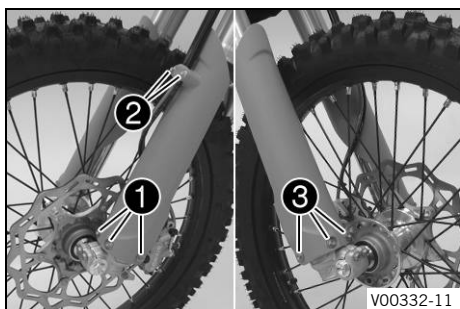
12.5 Removing the fork protector



- Remove screws ❶ and take off the clamp.
- Remove screws ❷ and take off the left fork protector.
- Remove screws ❸ and take off the right fork protector.



12.6 Installing the fork protector



- Position the fork protector on the left fork leg. Mount and tighten screws **1**.

Guideline

Remaining screws, chassis	M6	10 Nm (7.4 lbf ft)
---------------------------	----	--------------------

- Position the brake line, wiring harness, and clamp. Mount and tighten screws **2**.
- Position the fork protector on the right fork leg. Mount and tighten screws **3**.

Guideline

Remaining screws, chassis	M6	10 Nm (7.4 lbf ft)
---------------------------	----	--------------------

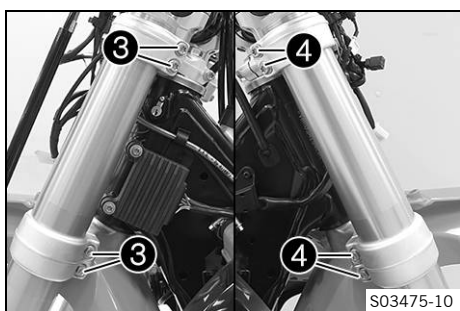
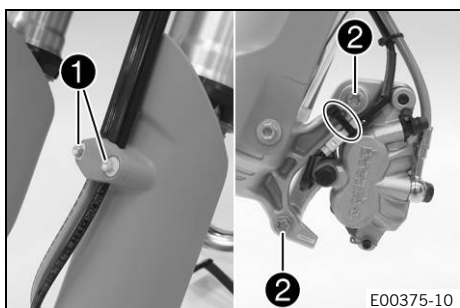
12.7 Removing the fork legs

Preparatory work

- Raise the motorcycle with a lift stand. (📖 p. 62)
- Remove the front wheel. 🗝️ (📖 p. 103)
- Remove the headlight mask with the headlight. (📖 p. 117)

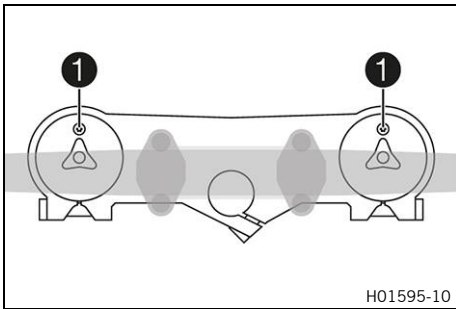
Main work

- Remove screws **1** and take off the clamp.
- Remove the cable tie.
- Remove screws **2** and take off the brake caliper.
- Hang the brake caliper and the brake line loosely to the side.



- Loosen screws **3**. Remove the left fork leg.
- Loosen screws **4**. Remove the right fork leg.

12.8 Installing the fork legs



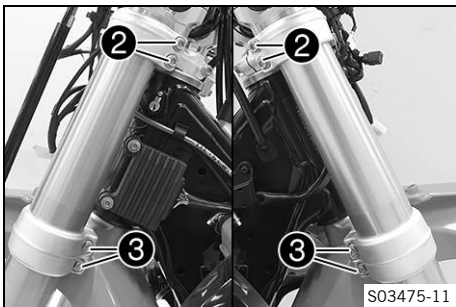
Main work

- Position the fork legs.
- ✓ Bleeder screws **1** are positioned toward the front.



Info

The rebound damping is located in right fork leg **REB** (red adjuster). The compression damping is located in left fork leg **COMP** (white adjuster). Grooves are milled into the side of the upper end of the fork legs. The second milled groove (from the top) must be flush with the upper edge of the upper triple clamp.



- Tighten screws **2**.

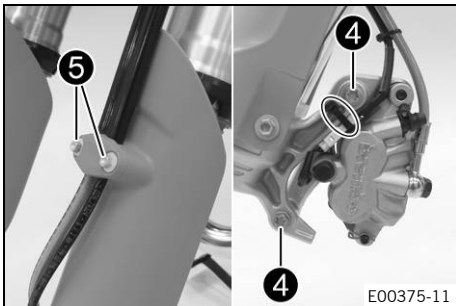
Guideline

Screw, top triple clamp	M8	20 Nm (14.8 lbf ft)
-------------------------	----	---------------------

- Tighten screws **3**.

Guideline

Screw, bottom triple clamp	M8	15 Nm (11.1 lbf ft)
----------------------------	----	---------------------



- Position the brake caliper, and mount and tighten screws **4**.

Guideline

Screw, front brake caliper	M8	25 Nm (18.4 lbf ft) Loctite®243™
----------------------------	----	--

- Mount the cable ties.
- Position the brake line, the wiring harness, and the clamp. Mount and tighten screws **5**.

Finishing work

- Install the front wheel. (📖 p. 104)
- Install the headlight mask with the headlight. (📖 p. 118)
- Check the headlight setting. (📖 p. 120)



12.9 Removing the lower triple clamp

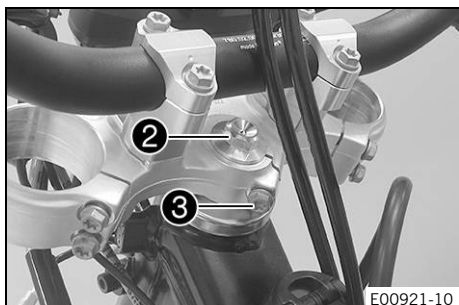
Preparatory work

- Raise the motorcycle with a lift stand. (📖 p. 62)
- Remove the front wheel. (📖 p. 103)
- Remove the headlight mask with the headlight. (📖 p. 117)
- Remove the fork legs. (📖 p. 64)
- Remove front fender. (📖 p. 70)
- Remove the handlebar cushion.



Main work

- Remove screws **1** and hang the combination instrument holder to the side.

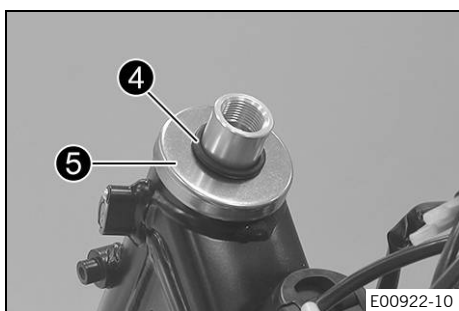


- Remove screw **2**.
- Loosen screw **3**. Take off the upper triple clamp with the handlebar and hang them to the side.



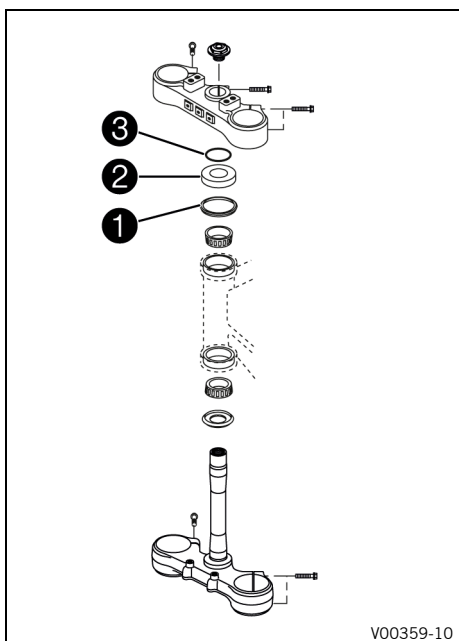
Info

Cover the components to protect them against damage. Do not kink the cables and lines.



- Remove O-ring **4**. Remove protective ring **5**.
- Take off the lower triple clamp with the steering stem.
- Remove the upper steering head bearing.

12.10 Installing the lower triple clamp

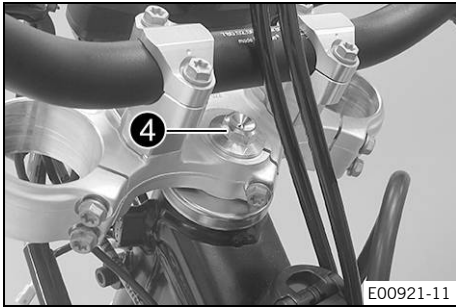


Main work

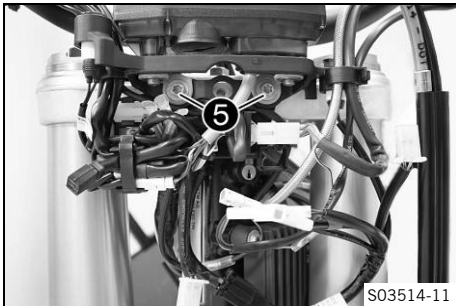
- Clean the bearing and sealing elements, check for damage, and grease.

High viscosity grease (p. 159)

- Insert the lower triple clamp with the steering stem. Mount upper steering head bearing.
- Check whether upper steering head seal **1** is correctly positioned.
- Mount protective ring **2** and O-ring **3**.



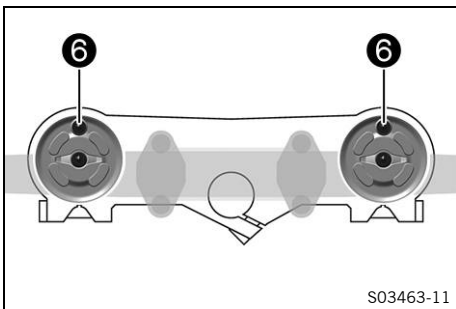
- Position the upper triple clamp with the handlebar.
- Position the clutch line and wiring harness.
- Mount screw 4, but do not tighten yet.



- Position the combination instrument holder, and mount and tighten screws 5.

Guideline

Remaining screws, chassis	M6	10 Nm (7.4 lbf ft)
---------------------------	----	--------------------

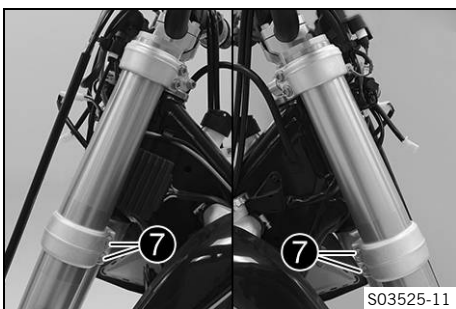


- Position the fork legs.
- ✓ Bleeder screws 6 are positioned toward the front.



Info

The rebound damping is located in right fork leg **REB** (red adjuster). The compression damping is located in left fork leg **COMP** (white adjuster). Grooves are milled into the side of the upper end of the fork legs. The second milled groove (from the top) must be flush with the upper edge of the upper triple clamp.



- Tighten screws 7.

Guideline

Screw, bottom triple clamp	M8	15 Nm (11.1 lbf ft)
----------------------------	----	---------------------



- Tighten screw 4.

Guideline

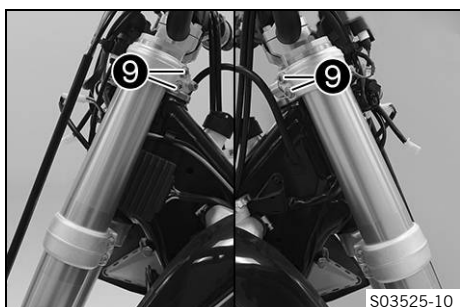
Screw, top steering head	M20x1.5	12 Nm (8.9 lbf ft)
--------------------------	---------	--------------------



- Tighten screw 8.

Guideline

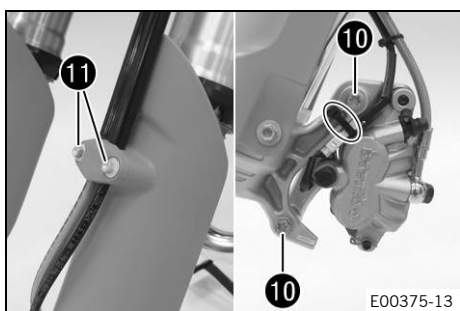
Screw, top steering stem	M8	20 Nm (14.8 lbf ft)
--------------------------	----	---------------------



- Tighten screws 9.

Guideline

Screw, top triple clamp	M8	20 Nm (14.8 lbf ft)
-------------------------	----	---------------------



- Position the brake caliper, and mount and tighten screws 10.

Guideline

Screw, front brake caliper	M8	25 Nm (18.4 lbf ft) Loctite®243™
----------------------------	----	--

- Mount the cable ties.
- Position the brake line, the wiring harness, and the clamp. Mount and tighten screws 11.

Finishing work

- Mount the handlebar cushion.
- Install front fender. (📖 p. 70)
- Install the front wheel. 🛠️ (📖 p. 104)
- Install the headlight mask with the headlight. (📖 p. 118)
- Check that the wiring harness, throttle cables, and brake and clutch lines can move freely and are routed correctly.
- Check steering head bearing play. (📖 p. 68)
- Remove the motorcycle from the lift stand. (📖 p. 62)
- Check the headlight setting. (📖 p. 120)

12.11 Checking steering head bearing play



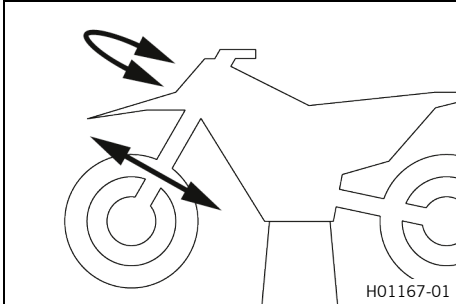
Warning

Danger of accidents Incorrect steering head bearing play impairs the handling characteristic and damages components.

- Correct incorrect steering head bearing play immediately. (Your authorized KTM workshop will be glad to help.)

i Info

If the vehicle is operated for a lengthy period with play in the steering head bearing, the bearings and the bearing seats in the frame can become damaged over time.



Preparatory work

- Raise the motorcycle with a lift stand. (📖 p. 62)

Main work

- Move the handlebar to the straight-ahead position. Move the fork legs to and fro in the direction of travel.

Play should not be detectable on the steering head bearing.

- » If there is detectable play:
 - Adjust the steering head bearing play. 🛠️ (📖 p. 69)
- Move the handlebar to and fro over the entire steering range.

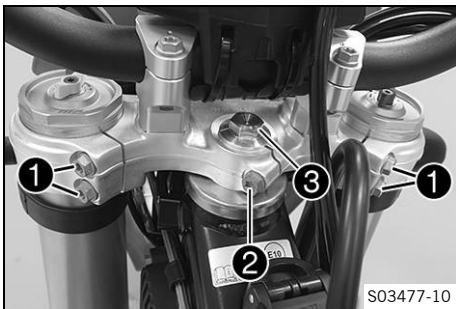
It must be possible to move the handlebar easily over the entire steering range. There should be no detectable detent positions.

- » If detent positions are detected:
 - Adjust the steering head bearing play. 🛠️ (📖 p. 69)
 - Check the steering head bearing and change if necessary.

Finishing work

- Remove the motorcycle from the lift stand. (📖 p. 62)

12.12 Adjusting the steering head bearing play 🛠️



Preparatory work

- Raise the motorcycle with a lift stand. (📖 p. 62)

Main work

- Loosen screws ① and ②.
- Loosen and retighten screw ③.

Guideline

Screw, top steering head	M20x1.5	12 Nm (8.9 lbf ft)
--------------------------	---------	--------------------

- Using a plastic hammer, tap lightly on the upper triple clamp to avoid stresses.

- Tighten screws ①.

Guideline

Screw, top triple clamp	M8	20 Nm (14.8 lbf ft)
-------------------------	----	---------------------

- Tighten screw ②.

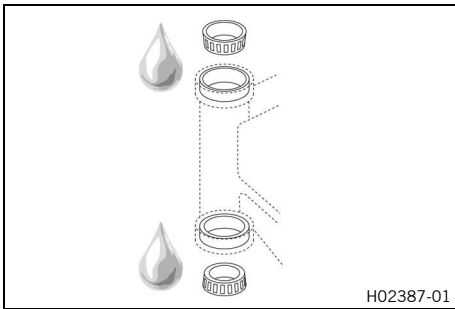
Guideline

Screw, top steering stem	M8	20 Nm (14.8 lbf ft)
--------------------------	----	---------------------

Finishing work

- Check steering head bearing play. (📖 p. 68)
- Remove the motorcycle from the lift stand. (📖 p. 62)

12.13 Lubricating the steering head bearing



- Remove the lower triple clamp. (p. 65)
- Install the lower triple clamp. (p. 66)

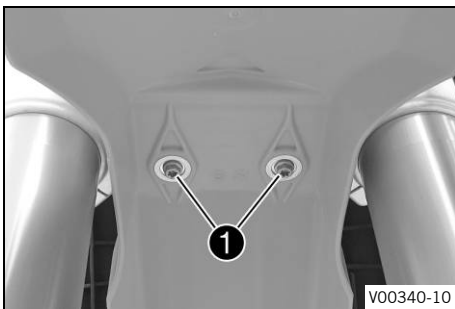
12.14 Removing front fender

Preparatory work

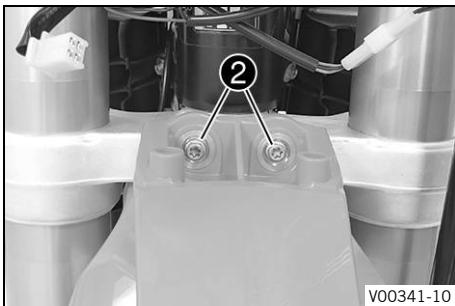
- Remove the headlight mask with the headlight. (p. 117)

Main work

- Remove screws ①.



- Remove screws ②. Take off front fender.



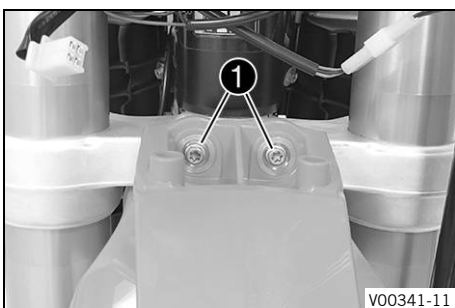
12.15 Installing front fender

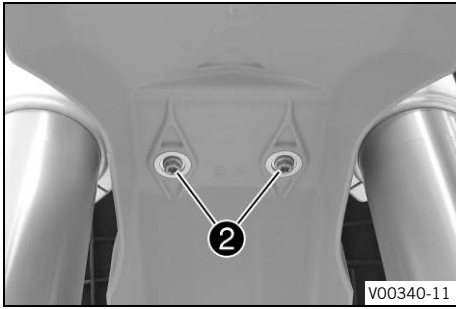
Main work

- Position front fender. Mount and tighten screws ①.

Guideline

Remaining screws, chassis	M6	10 Nm (7.4 lbf ft)
---------------------------	----	--------------------





- Mount and tighten screws ②.

Guideline

Remaining screws, chassis	M6	10 Nm (7.4 lbf ft)
---------------------------	----	--------------------

Finishing work

- Install the headlight mask with the headlight. (📖 p. 118)
- Check the headlight setting. (📖 p. 120)

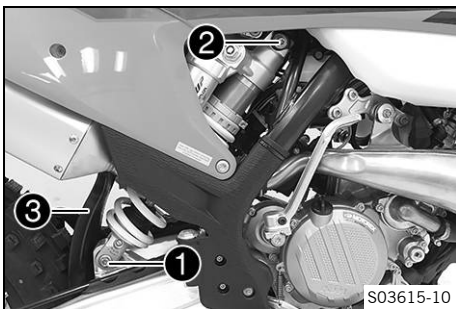
12.16 Removing the shock absorber ↩

Preparatory work

- Raise the motorcycle with a lift stand. (📖 p. 62)

Main work

- Remove screw ① and lower the rear wheel with the link fork as far as possible without blocking the rear wheel. Secure the rear wheel in this position.
- Remove screw ②, push splash protector ③ to the side, and remove the shock absorber.



12.17 Installing the shock absorber ↩

Main work

- Push splash protector ① to the side and position the shock absorber. Mount and tighten screw ②.

Guideline

Screw, top shock absorber	M12	80 Nm (59 lbf ft) Loctite®2701™
---------------------------	-----	---

- Mount and tighten screw ③.

Guideline

Screw, bottom shock absorber	M12	80 Nm (59 lbf ft) Loctite®2701™
------------------------------	-----	---

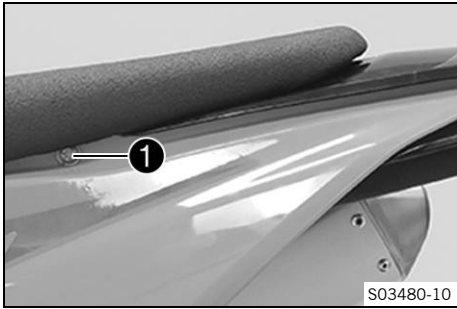
i Info

The heim joint for the shock absorber on the link fork is Teflon coated. It must not be lubricated with grease, nor with any other lubricants. Lubricants dissolve the Teflon coating, thereby drastically reducing the service life.

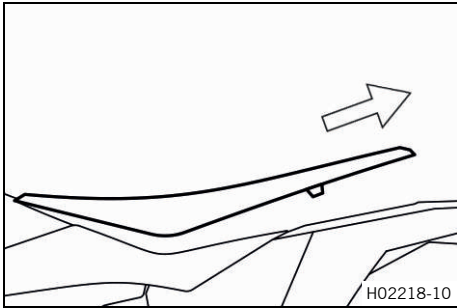
Finishing work

- Remove the motorcycle from the lift stand. (📖 p. 62)

12.18 Removing the seat

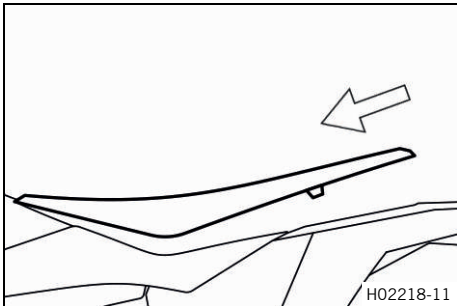


- Remove screws **1** on the left side.

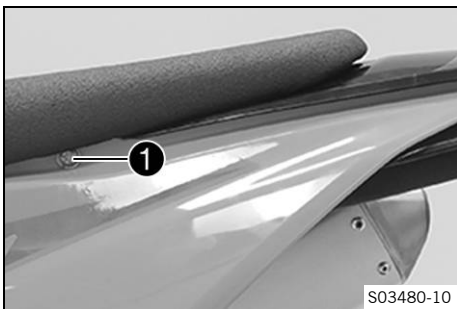


- Raise the rear of the seat, pull the seat back, and lift it off.

12.19 Mounting the seat



- Mount the front of the seat on the two collar bushings of the fuel tank, lower the seat at the rear, and push the seat forward.
- Make sure the seat is latched in place correctly.



- Mount and tighten screw **1** on the left side.

Guideline

Remaining screws, chassis	M6	10 Nm (7.4 lbf ft)
------------------------------	----	--------------------

12.20 Removing the air filter box cover

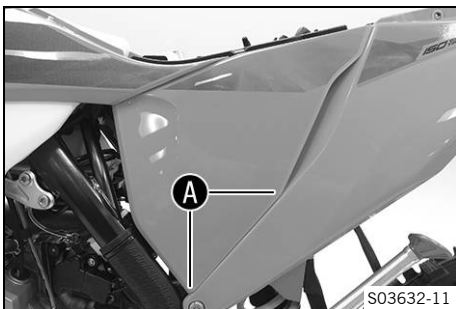
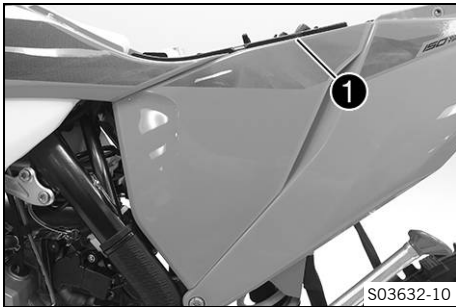
Preparatory work

- Remove the seat. (🔧 p. 72)

Condition

The air filter box cover is secured.

- Remove screw ❶.

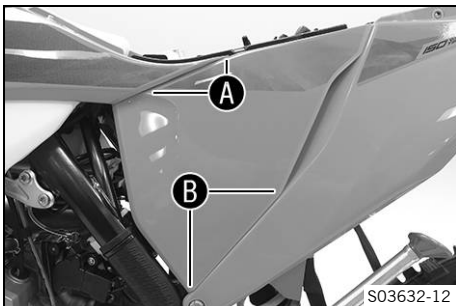


- Pull off the air filter box cover in area A laterally and take it off at the front.

12.21 Installing the air filter box cover

Main work

- Insert the air filter box cover in area A and clip it into area B.



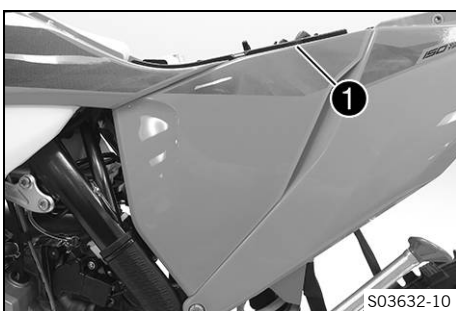
Condition

The air filter box cover is secured.

- Mount and tighten screw ❶.

Guideline

Screw, air filter box cover	EJOT PT® K60x20-Z	3 Nm (2.2 lbf ft)
-----------------------------	-----------------------------	-------------------



Finishing work

- Mount the seat. (🔧 p. 72)

12.22 Removing the air filter

Note

Engine damage Unfiltered intake air has a negative effect on the service life of the engine. Dust and dirt will enter the engine without an air filter.

- Never start to use the vehicle without an air filter.



Note

Environmental hazard Hazardous substances cause environmental damage.

- Dispose of oils, grease, filters, fuel, cleaning agents, brake fluid, etc., correctly and in compliance with the applicable regulations.



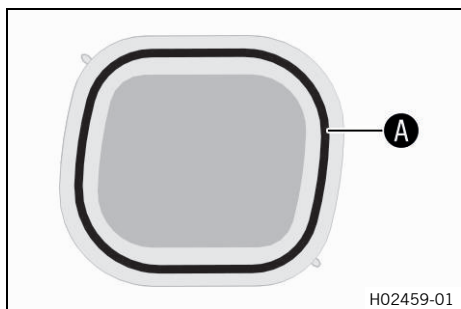
Preparatory work

- Remove the seat. (📖 p. 72)
- Remove the air filter box cover. (📖 p. 73)

Main work

- Detach retaining tab ①. Remove air filter with air filter support.
- Remove air filter from air filter support.

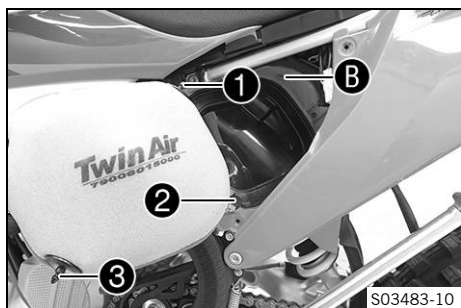
12.23 Installing the air filter



Main work

- Mount the clean air filter on the air filter support.
- Grease the air filter in area A.

Long-life grease (📖 p. 159)



- Insert air filter and position retaining pin ① in bushing B.
 - ✓ The air filter is correctly positioned.
- Insert retaining tab ②.
 - ✓ Retaining pin ③ is secured with retaining tab ②.



Info

If the air filter is not mounted correctly, dust and dirt may enter the engine and result in damage.

Finishing work

- Install the air filter box cover. (📖 p. 73)
- Mount the seat. (📖 p. 72)

12.24 Cleaning the air filter and air filter box



Note

Environmental hazard Hazardous substances cause environmental damage.

- Dispose of oils, grease, filters, fuel, cleaning agents, brake fluid, etc., correctly and in compliance with the applicable regulations.



Info

Do not clean the air filter with fuel or petroleum since these substances attack the foam.



Preparatory work

- Remove the seat. (🔧 p. 72)
- Remove the air filter box cover. (🔧 p. 73)
- Remove the air filter. 🛠️ (🔧 p. 74)

Main work

- Wash the air filter thoroughly in special cleaning liquid and allow it to dry properly.

Air filter cleaner (🔧 p. 159)



Info

Only press the air filter to dry it, never wring it out.

- Oil the dry air filter with a high-grade air filter oil.

Oil for foam air filter (🔧 p. 159)

- Clean the air filter box.
- Clean the intake flange and check it for damage and tightness.

Finishing work

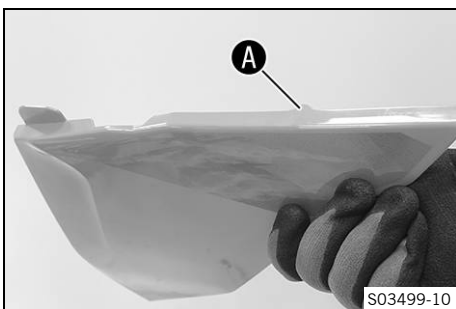
- Install the air filter. 🛠️ (🔧 p. 74)
- Install the air filter box cover. (🔧 p. 73)
- Mount the seat. (🔧 p. 72)



12.25 Preparing air filter box cover for securing

Preparatory work

- Remove the seat. (🔧 p. 72)
- Remove the air filter box cover. (🔧 p. 73)



Main work

- Drill a hole at marking **A**.

Guideline

Diameter	6 mm (0.24 in)
----------	----------------

Finishing work

- Install the air filter box cover. (🔧 p. 73)
- Mount the seat. (🔧 p. 72)



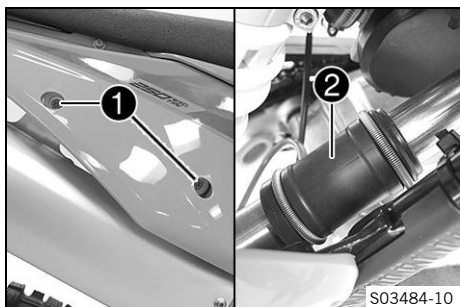
12.26 Removing the main silencer



Warning

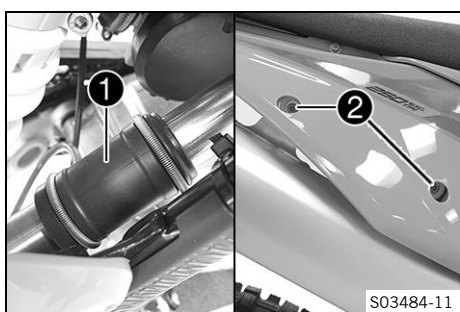
Danger of burns The exhaust system gets very hot when the vehicle is driven.

- Allow the exhaust system to cool down before performing any work on the vehicle.



- Remove screws ①.
- Pull off the main silencer with rubber sleeve ② and the spring ring from the manifold.

12.27 Installing the main silencer



- Mount the main silencer with rubber sleeve ① and the spring rings.
- Mount and tighten screws ②.

Guideline

Remaining screws, chassis	M6	10 Nm (7.4 lbf ft)
---------------------------	----	--------------------

12.28 Changing the glass fiber yarn filling in the main silencer ↗



Warning

Danger of burns The exhaust system gets very hot when the vehicle is driven.

- Allow the exhaust system to cool down before performing any work on the vehicle.

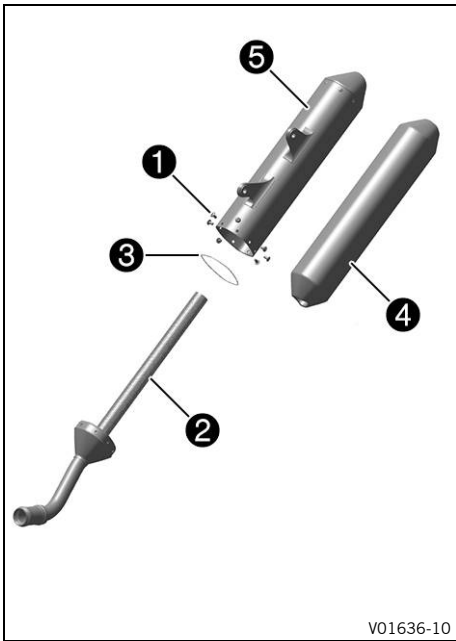


Info

Over time, the fibers of the glass fiber yarn escape and the damper “burns” out. Not only is the noise level higher, but the performance characteristics change.

Preparatory work

- Remove the main silencer. (📖 p. 76)



Main work

- Remove screws ①.
- Pull out inner tube ② with O-ring ③.
- Remove the glass fiber yarn filling ④ from the inner tube.
- Clean the parts that need to be reinstalled and check for damage.
- Fit the new glass fiber yarn filling ④ into the inner tube.
- Push outer tube ⑤ over the inner tube with the new glass fiber yarn filling and the O-ring.
- Mount and tighten all screws ①.

Guideline

Screws on main silencer	M5	7 Nm (5.2 lbf ft)
-------------------------	----	-------------------

Finishing work

- Install the main silencer. (📖 p. 76)

12.29 Removing the fuel tank ↩



Danger

Fire hazard Fuel is highly flammable.

The fuel in the fuel tank expands when warm and can escape if overfilled.

- Do not refuel the vehicle in the vicinity of open flames or lit cigarettes.
- Switch off the engine for refueling.
- Make sure that no fuel is spilled; particularly not on hot parts of the vehicle.
- If any fuel is spilled, wipe it off immediately.
- Observe the specifications for refueling.



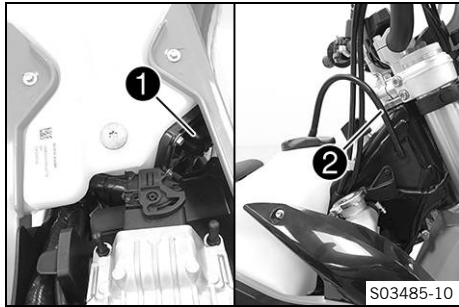
Warning

Danger of poisoning Fuel is poisonous and a health hazard.

- Avoid skin, eye and clothing contact with fuel.
- Immediately consult a doctor if you swallow fuel.
- Do not inhale fuel vapors.
- In case of skin contact, rinse the affected area with plenty of water.
- Rinse the eyes thoroughly with water, and consult a doctor in case of fuel contact with the eyes.
- Change your clothing in case of fuel spills on them.
- Keep fuels correctly in a suitable canister, and out of the reach of children.

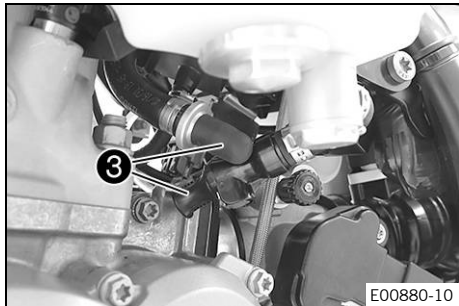
Preparatory work

- Remove the seat. (📖 p. 72)



Main work

- Unplug connector ① of the fuel pump.
- Remove tube ② from the fuel tank breather.



- Thoroughly clean the plug-in connection of the fuel line using compressed air.



Info

Under no circumstances should dirt enter into the fuel line. Dirt in the fuel line clogs the injection valve!

- Disconnect the plug-in connection of the fuel line.

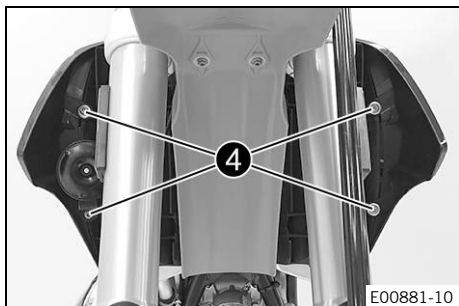


Info

Remaining fuel may flow out of the fuel hose.

- Mount wash cap set ③.

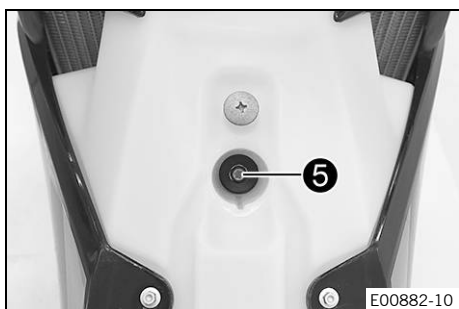
Wash cap set (81212016100)



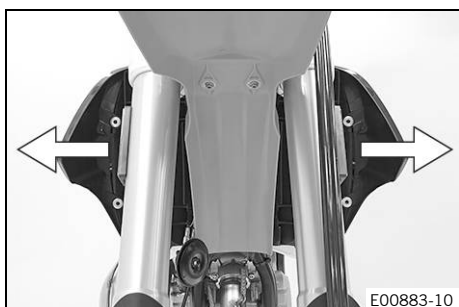
- Remove screws ④ with the collar bushings.

(150 EXC TPI EU)

- Hang the horn and horn bracket to one side.



- Remove screw ⑤ with the rubber bushing.



- Pull both spoilers off laterally from the radiator mount and lift off the fuel tank.

12.30 Installing the fuel tank 🐾



Danger

Fire hazard Fuel is highly flammable.

The fuel in the fuel tank expands when warm and can escape if overfilled.

- Do not refuel the vehicle in the vicinity of open flames or lit cigarettes.
- Switch off the engine for refueling.
- Make sure that no fuel is spilled; particularly not on hot parts of the vehicle.
- If any fuel is spilled, wipe it off immediately.
- Observe the specifications for refueling.



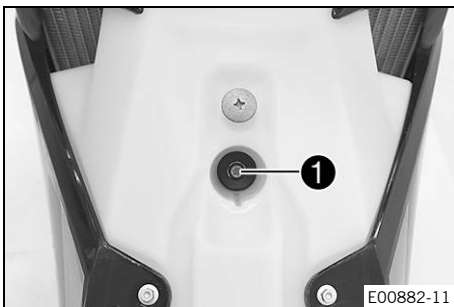
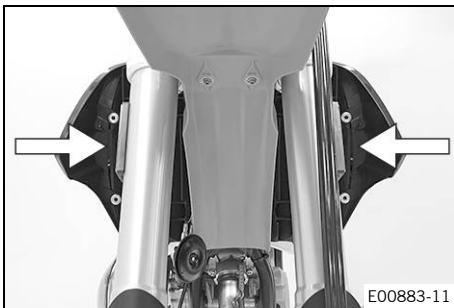
Warning

Danger of poisoning Fuel is poisonous and a health hazard.

- Avoid skin, eye and clothing contact with fuel.
- Immediately consult a doctor if you swallow fuel.
- Do not inhale fuel vapors.
- In case of skin contact, rinse the affected area with plenty of water.
- Rinse the eyes thoroughly with water, and consult a doctor in case of fuel contact with the eyes.
- Change your clothing in case of fuel spills on them.

Main work

- Check throttle cable routing. (📖 p. 86)
- Position the fuel tank and fit the two spoilers to the sides in front of the radiator bracket.
- Make sure that no cables or throttle cables are trapped or damaged.



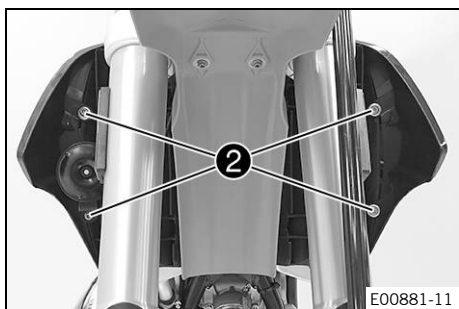
- Mount and tighten screw ❶ with the rubber bushing.

Guideline

Remaining screws, chassis	M6	10 Nm (7.4 lbf ft)
------------------------------	----	--------------------

(150 EXC TPI EU)

- Position the horn with the horn bracket.



- Mount and tighten screws **2** with the collar bushings.

Guideline

Remaining screws, chassis	M6	10 Nm (7.4 lbf ft)
---------------------------	----	--------------------



- Remove the wash cap set.
- Thoroughly clean the plug-in connection of the fuel line using compressed air.

i Info
Under no circumstances should dirt enter into the fuel line. Dirt in the fuel line clogs the injection valve!

- Lubricate the O-ring and connect plug-in connection **3** for the fuel line.

i Info
Route the cable and fuel line at a safe distance from the exhaust system.

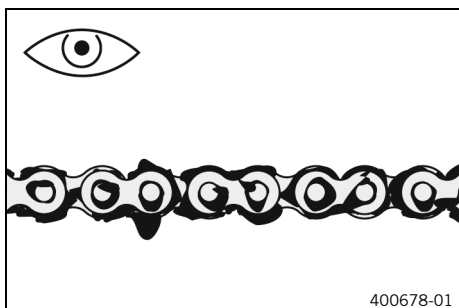


- Attach fuel tank breather hose **4**.
- Plug in connector **5** for the fuel pump.

Finishing work

- Mount the seat. (📖 p. 72)

12.31 Checking the chain for dirt



- Check the chain for heavy soiling.
 - » If the chain is very dirty:
 - Clean the chain. (📖 p. 81)

12.32 Cleaning the chain



Warning

Danger of accidents Lubricants on the tires reduces the road grip.

- Remove lubricants from the tires using a suitable cleaning agent.



Warning

Danger of accidents Oil or grease on the brake discs reduces the braking effect.

- Always keep the brake discs free of oil and grease.
- Clean the brake discs with brake cleaner when necessary.



Note

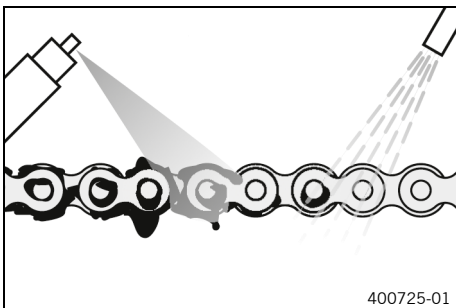
Environmental hazard Hazardous substances cause environmental damage.

- Dispose of oils, grease, filters, fuel, cleaning agents, brake fluid, etc., correctly and in compliance with the applicable regulations.



Info

The service life of the chain depends largely on its maintenance.



Preparatory work

- Raise the motorcycle with a lift stand. (📖 p. 62)

Main work

- Rinse off loose dirt with a soft jet of water.
- Remove old grease residue with chain cleaner.

Chain cleaner (📖 p. 159)

- After drying, apply chain spray.

Off-road chain spray (📖 p. 159)

Finishing work

- Remove the motorcycle from the lift stand. (📖 p. 62)

12.33 Checking the chain tension



Warning

Danger of accidents Incorrect chain tension damages components and results in accidents.

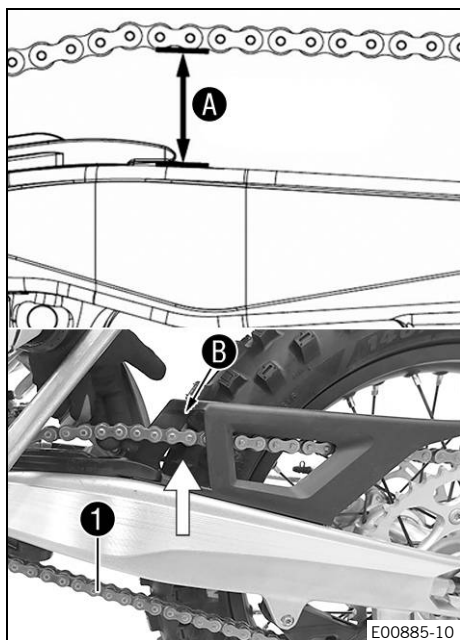
If the chain is tensioned too much, the chain, engine sprocket, rear sprocket, transmission and rear wheel bearings wear more quickly. Some components may break if overloaded.

If the chain is too loose, the chain may fall off the engine sprocket or the rear sprocket. As a result, the rear wheel locks or the engine will be damaged.

- Check the chain tension regularly.
- Set the chain tension in accordance with the specification.

Preparatory work

- Raise the motorcycle with a lift stand. (📖 p. 62)



Main work

- Pull the chain at the end of the chain sliding piece upward to measure chain tension **A**.

Info

Lower chain section **1** must be taut. When the chain guard is mounted, it must be possible to pull up the chain at least to the point where it makes contact with chain guard **B**. Chain wear is not always even, so you should repeat this measurement at different chain positions.

Chain tension	55 ... 58 mm (2.17 ... 2.28 in)
---------------	---------------------------------

- » If the chain tension does not meet the specification:
 - Adjust the chain tension. (📖 p. 82)

Finishing work

- Remove the motorcycle from the lift stand. (📖 p. 62)

12.34 Adjusting the chain tension



Warning

Danger of accidents Incorrect chain tension damages components and results in accidents.

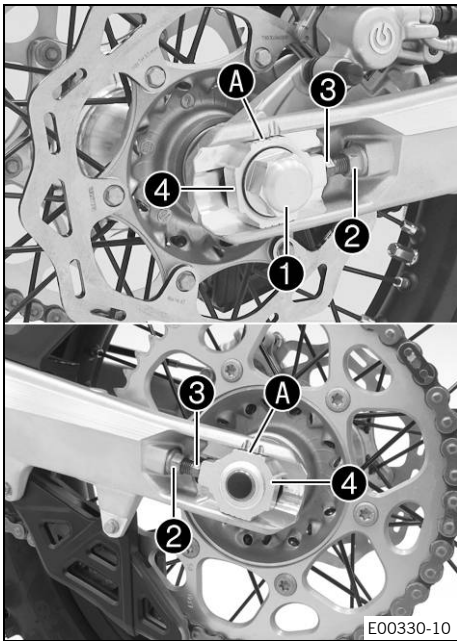
If the chain is tensioned too much, the chain, engine sprocket, rear sprocket, transmission and rear wheel bearings wear more quickly. Some components may break if overloaded.

If the chain is too loose, the chain may fall off the engine sprocket or the rear sprocket. As a result, the rear wheel locks or the engine will be damaged.

- Check the chain tension regularly.
- Set the chain tension in accordance with the specification.

Preparatory work

- Raise the motorcycle with a lift stand. (📖 p. 62)
- Check the chain tension. (📖 p. 81)



Main work

- Loosen nut ①.
- Loosen nuts ②.
- Adjust the chain tension by turning adjusting screws ③ left and right.

Guideline

Chain tension	55 ... 58 mm (2.17 ... 2.28 in)
Turn adjusting screws ③ on the left and right so that the markings on the left and right chain adjusters are in the same position relative to reference marks A. The rear wheel is then correctly aligned.	

- Tighten nuts ②.
- Make sure that chain adjusters ④ are fitted correctly on adjusting screws ③.
- Tighten nut ①.

Guideline

Nut, rear wheel spindle	M20x1.5	80 Nm (59 lbf ft)
-------------------------	---------	-------------------



Info

The wide adjustment range of the chain adjusters (32 mm (1.26 in)) enables different secondary ratios with the same chain length. Chain adjusters ④ can be turned by 180°.

Finishing work

- Remove the motorcycle from the lift stand. (📖 p. 62)



12.35 Checking the chain, rear sprocket, engine sprocket, and chain guide

Preparatory work

- Raise the motorcycle with a lift stand. (📖 p. 62)

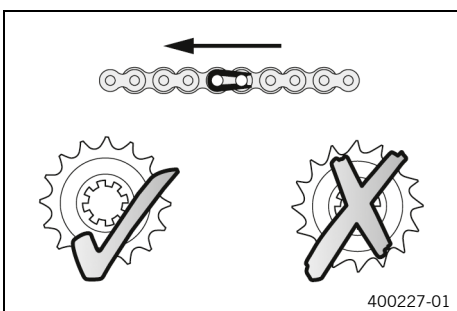
Main work

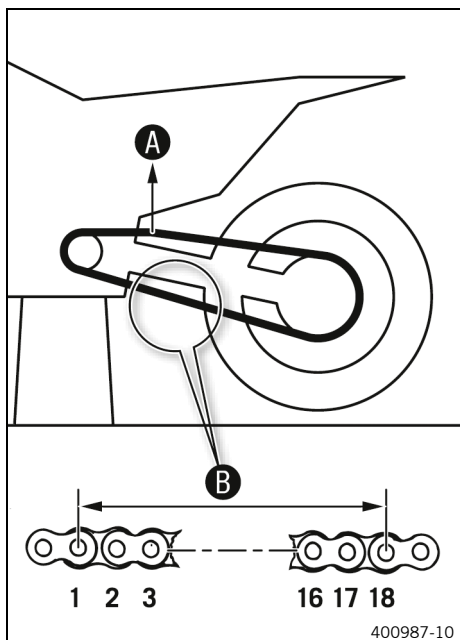
- Shift the transmission into neutral.
- Check the chain, rear sprocket, and engine sprocket for wear.
 - » If the chain, rear sprocket or engine sprocket is worn:
 - Change the drivetrain kit. 🛠️



Info

The engine sprocket, rear sprocket, and chain should always be replaced together.





- Pull on the top section of the chain with the specified weight **A**.

Guideline

Weight, chain wear measurement	10 ... 15 kg (22 ... 33 lb.)
--------------------------------	------------------------------

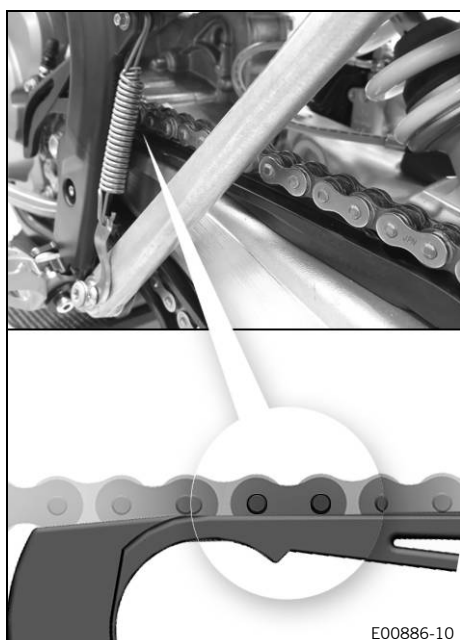
- Measure distance **B** of 18 chain rollers in the lower chain section.

i Info
Chain wear is not always even, so you should repeat this measurement at different chain positions.

Maximum distance B from 18 chain rollers at the longest chain section	272 mm (10.71 in)
--	-------------------

- » If distance **B** is greater than the specified measurement:
 - Change the drivetrain kit. 🛠️

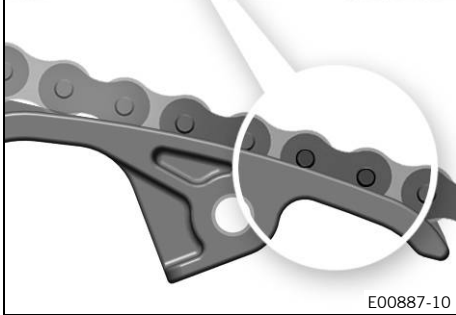
i Info
When a new chain is mounted, the rear sprocket and engine sprocket should also be changed. New chains wear out faster on old, worn sprockets.



- Check the chain sliding guard for wear.
 - » If the lower edge of the chain pins is in line with, or below, the chain sliding guard:
 - Change the chain sliding guard. 🛠️
- Check that the chain sliding guard is firmly seated.
 - » If the chain sliding guard is loose:
 - Tighten screws on the chain sliding guard.

Guideline

Screw, chain sliding guard	M6	6 Nm (4.4 lbf ft) Loctite®243™
----------------------------	----	--

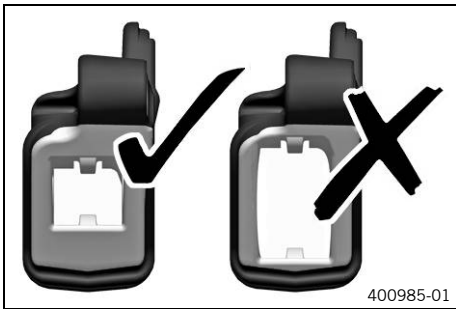


E00887-10

- Check chain sliding piece for wear.
 - » If the lower edge of the chain pins is in line with or below the chain sliding piece:
 - Change the chain sliding piece. 🛠️
- Check that the chain sliding piece is firmly seated.
 - » If the chain sliding piece is loose:
 - Tighten screw on the chain sliding piece.

Guideline

Screw, chain sliding piece	M8	15 Nm (11.1 lbf ft)
----------------------------	----	------------------------



400985-01

- Check the chain guide for wear.



Info

Wear can be seen on the front of the chain guide.

- » If the light part of the chain guide is worn:
 - Change the chain guide. 🛠️



E00333-01

- Check that the chain guide is firmly seated.
 - » If the chain guide is loose:
 - Tighten the screws on the chain guide.

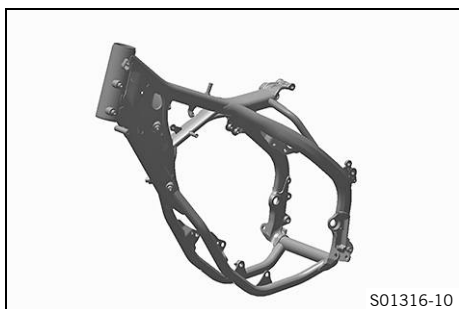
Guideline

Remaining screws, chassis	M6	10 Nm (7.4 lbf ft)
---------------------------	----	-----------------------

Finishing work

- Remove the motorcycle from the lift stand. (📖 p. 62)

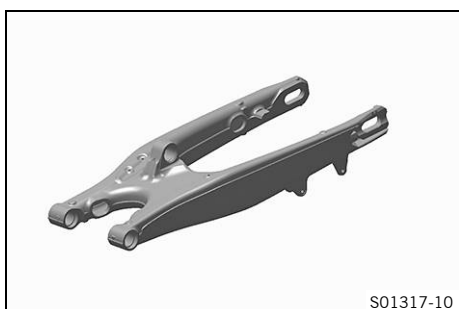
12.36 Checking the frame 🛠️



- Check the frame for cracks and deformation.
 - » If the frame exhibits cracks or deformation due to a mechanical impact:
 - Change the frame. 🛠️

i Info
Always replace a frame that has been damaged due to a mechanical impact. Repair of the frame is not authorized by KTM.

12.37 Checking the link fork 🛠️



- Check the link fork for damage, cracking, and deformation.
 - » If the link fork shows signs of damage, cracking, or deformation:
 - Change the link fork. 🛠️

i Info
Always replace a damaged link fork. Repairing the link fork is not authorized by KTM.

12.38 Checking throttle cable routing



Preparatory work

- Remove the seat. (📖 p. 72)
- Remove the fuel tank. 🛠️ (📖 p. 77)

Main work

- Check throttle cable routing.

Both throttle cables must be routed, side by side, on the back of the handlebars, above the fuel tank bracket on the right of the frame to the throttle valve body. Both throttle cables must be secured behind the rubber strap of the fuel tank support.

- » If the throttle cable routing is not as specified:
 - Correct throttle cable routing.

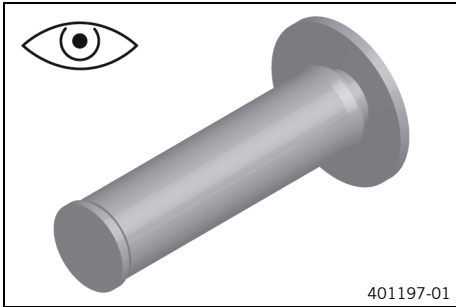
Finishing work

- Install the fuel tank. 🛠️ (📖 p. 79)

- Mount the seat. (📖 p. 72)



12.39 Checking the rubber grip



- Check the rubber grips on the handlebar for damage, wear, and looseness.

i Info
The rubber grips are vulcanized onto a sleeve on the left and onto the handle tube of the throttle grip on the right. The left sleeve is clamped onto the handlebar. The rubber grip can only be replaced with the sleeve or the throttle tube.

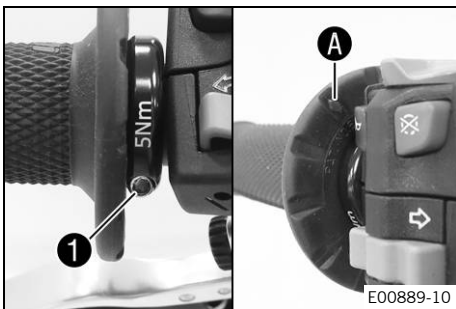
- » If a rubber grip is damaged or worn:
 - Change the rubber grip.

- Check that screw ❶ is firmly seated.

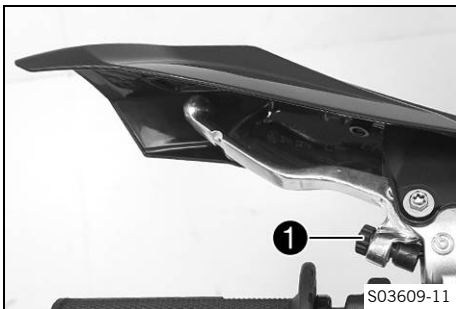
Guideline

Screw, fixed grip	M4	5 Nm (3.7 lbf ft) Loctite®243™
-------------------	----	--

The diamond ❷ must be positioned visibly as shown in the figure.



12.40 Adjusting the basic position of the clutch lever



- Adjust the basic position of the clutch lever to your hand size by turning adjusting screw ❶.

i Info
Turn the adjusting screw counterclockwise to decrease the distance between the clutch lever and the handlebar.
Turn the adjusting screw clockwise to increase the distance between the clutch lever and the handlebar. The range of adjustment is limited.
Turn the adjusting screw by hand only, and do not apply any force.
Do not make any adjustments while riding.



12.41 Checking/correcting the fluid level of the hydraulic clutch



Warning

Skin irritation Brake fluid causes skin irritation.

- Keep brake fluid out of the reach of children.
- Wear suitable protective clothing and safety glasses.
- Do not allow brake fluid to come into contact with the skin, the eyes or clothing.
- Consult a doctor immediately if brake fluid has been swallowed.
- Rinse the affected area with plenty of water in the event of contact with the skin.
- Rinse eyes thoroughly with water immediately and consult a doctor if brake fluid comes into contact with the eyes.
- If brake fluid spills on to your clothing, change the clothing.



Note

Environmental hazard Hazardous substances cause environmental damage.

- Dispose of oils, grease, filters, fuel, cleaning agents, brake fluid, etc., correctly and in compliance with the applicable regulations.



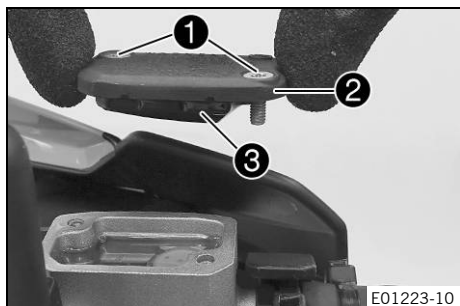
Info

The fluid level rises with increasing wear of the clutch facing discs.

Never use DOT 5 brake fluid. It is silicone-based and purple in color. Oil seals and clutch lines are not designed for DOT 5 brake fluid.

Avoid contact between brake fluid and painted parts. Brake fluid attacks paint.

Only use clean brake fluid from a sealed container.



- Move the clutch fluid reservoir mounted on the handlebar to a horizontal position.
- Remove screws ①.
- Remove cover ② with membrane ③.
- Check the fluid level.

Fluid level below container rim	4 mm (0.16 in)
---------------------------------	----------------

» If the level of the fluid does not meet specifications:

- Correct the fluid level of the hydraulic clutch.

Brake fluid DOT 4 / DOT 5.1 (📖 p. 157)

- Position the cover with the membrane. Mount and tighten the screws.



Info

Clean up overflowed or spilled brake fluid immediately with water.

12.42 Changing the hydraulic clutch fluid ↩



Warning

Skin irritation Brake fluid causes skin irritation.

- Keep brake fluid out of the reach of children.
- Wear suitable protective clothing and safety glasses.
- Do not allow brake fluid to come into contact with the skin, the eyes or clothing.
- Consult a doctor immediately if brake fluid has been swallowed.
- Rinse the affected area with plenty of water in the event of contact with the skin.
- Rinse eyes thoroughly with water immediately and consult a doctor if brake fluid comes into contact with the eyes.
- If brake fluid spills on to your clothing, change the clothing.



Note

Environmental hazard Hazardous substances cause environmental damage.

- Dispose of oils, grease, filters, fuel, cleaning agents, brake fluid, etc., correctly and in compliance with the applicable regulations.

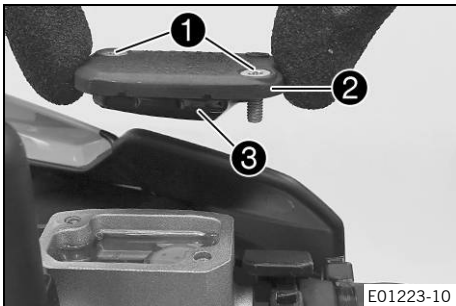


Info

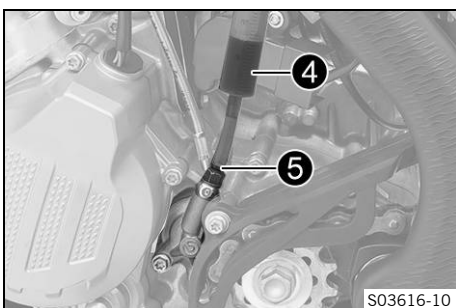
Never use DOT 5 brake fluid. It is silicone-based and purple in color. Oil seals and clutch lines are not designed for DOT 5 brake fluid.

Avoid contact between brake fluid and painted parts. Brake fluid attacks paint.

Only use clean brake fluid from a sealed container.

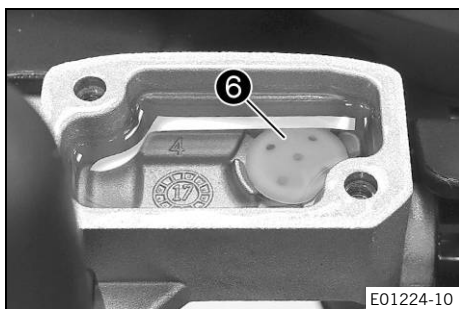


- Move the clutch fluid reservoir mounted on the handlebar to a horizontal position.
- Remove screws ①.
- Take off cover ② with membrane ③.



- Fill bleeding syringe ④ with the appropriate hydraulic fluid.
- | |
|--|
| Syringe (50329050000) |
| Brake fluid DOT 4 / DOT 5.1 (📖 p. 157) |
- On the clutch slave cylinder, remove bleeder protection cap, release the bleeder screw ⑤ and mount bleeding syringe ④.

12 SERVICE WORK ON THE CHASSIS



- Now press the fluid into the system until it emerges from the hole 6 of the master cylinder without bubbles.
- Now and then, extract fluid from the master cylinder reservoir to prevent overflow.
- Remove the bleeding syringe. Tighten the bleeder screw. Mount protection cap.
- Correct the fluid level of the hydraulic clutch.

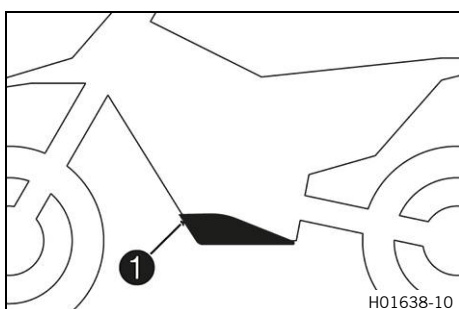
Guideline

Fluid level below container rim	4 mm (0.16 in)
---------------------------------	----------------

- Position cover with membrane. Mount and tighten screws.

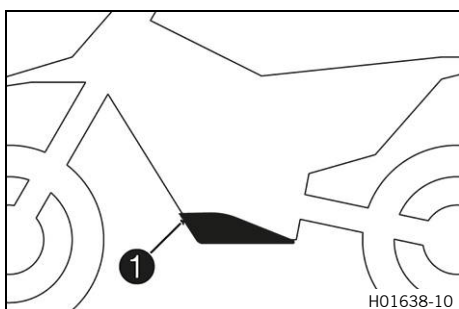
i Info
Clean up overflowed or spilled brake fluid immediately with water.

12.43 Removing engine guard



- Remove screws 1 and engine guard.

12.44 Installing the engine guard



- Attach the engine guard on the frame at the rear and swing up at the front.
- Mount and tighten screws 1.

Guideline

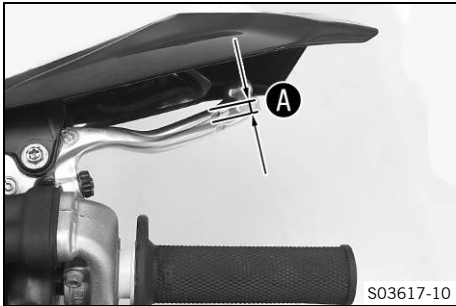
Remaining screws, chassis	M6	10 Nm (7.4 lbf ft)
---------------------------	----	--------------------

13.1 Checking the free travel of the hand brake lever



Warning

Danger of accidents The brake system fails in the event of overheating.
 If there is no free travel on the hand brake lever, pressure builds up on the front brake circuit.
 – Set the free travel on the hand brake lever in accordance with the specification.

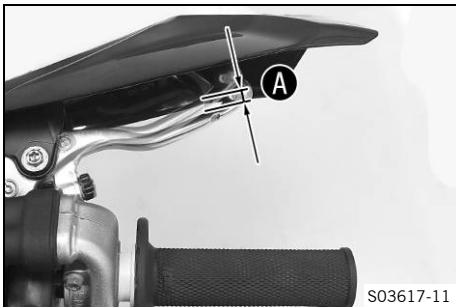


(150 EXC TPI EU)

- Push the hand brake lever to the handlebar and check free travel **A**.

Free travel of hand brake lever	$\geq 3 \text{ mm } (\geq 0.12 \text{ in})$
---------------------------------	---

- » If the free travel does not match the specification:
 - Adjust the free travel of the handbrake lever. (📖 p. 91)



(150 XC-W TPI US)

- Push the hand brake lever forward and check free travel **A**.

Free travel of hand brake lever	$\geq 3 \text{ mm } (\geq 0.12 \text{ in})$
---------------------------------	---

- » If the free travel does not match the specification:
 - Adjust the basic position of the hand brake lever. (📖 p. 92)

13.2 Adjusting the free travel of the handbrake lever (150 EXC TPI EU)



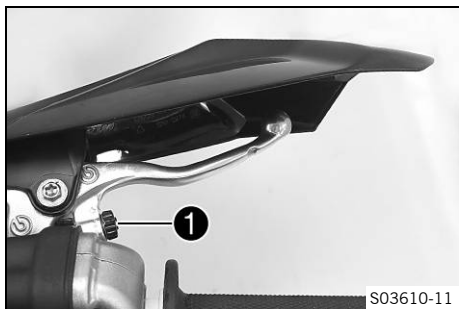
- Check the free travel of the hand brake lever. (📖 p. 91)
- Adjust the free travel of the handbrake lever with adjustment screw **1**.



Info

Turn the adjusting screw clockwise to reduce free travel. The pressure point moves away from the handlebar.
 Turn the adjusting screw counterclockwise to increase free travel. The pressure point moves towards the handlebar.
 The range of adjustment is limited.
 Turn the adjusting screw by hand only, and do not apply any force.
 Do not make any adjustments while riding.

13.3 Adjusting the basic position of the hand brake lever (150 XC-W TPI US)



- Check the free travel of the hand brake lever. (📖 p. 91)
- Adjust the basic position of the hand brake lever to your hand size by turning adjusting screw ①.

i Info

Turn the adjusting screw clockwise to increase the distance between the hand brake lever and the handlebar.
Turn the adjusting screw counterclockwise to decrease the distance between the hand brake lever and the handlebar.
The range of adjustment is limited.
Turn the adjusting screw by hand only, and do not apply any force.
Do not make any adjustments while riding.

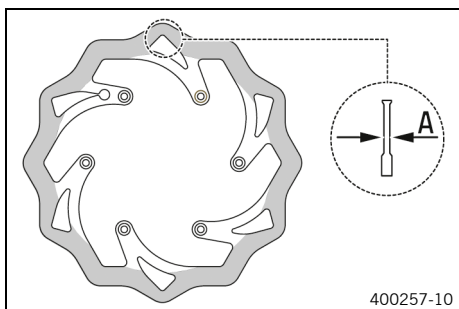
13.4 Checking the brake discs



Warning

Danger of accidents Worn-out brake discs reduce the braking effect.

- Make sure that worn-out brake discs are replaced immediately. (Your authorized KTM workshop will be glad to help.)



- Check the front and rear brake disc thickness at multiple points for the dimension A.

i Info

Wear reduces the thickness of the brake disc around the contact surface of the brake linings.

Brake discs - wear limit	
front	2.5 mm (0.098 in)
rear	3.5 mm (0.138 in)

- » If the brake disc thickness is less than the specified value:
 - Change the front brake disc. 🛠️
 - Change the rear brake disc. 🛠️
- Check the front and rear brake discs for damage, cracking, and deformation.
 - » If the brake disc exhibits damage, cracking, or deformation:
 - Change the front brake disc. 🛠️
 - Change the rear brake disc. 🛠️

13.5 Checking the front brake fluid level



Warning

Danger of accidents An insufficient brake fluid level will cause the brake system to fail.

If the brake fluid level drops below the specified marking or the specified value, the brake system is leaking or the brake linings are worn down.

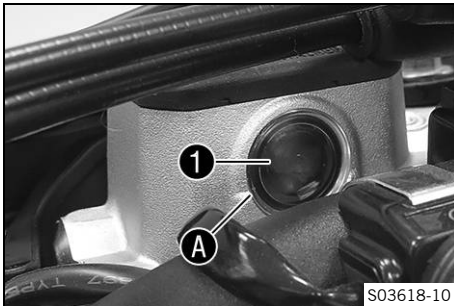
- Check the brake system and do not continue riding until the problem is eliminated. (Your authorized KTM workshop will be glad to help.)



Warning

Danger of accidents Old brake fluid reduces the braking effect.

- Make sure that brake fluid for the front and rear brake is changed in accordance with the service schedule. (Your authorized KTM workshop will be glad to help.)



- Move the brake fluid reservoir mounted on the handlebar to a horizontal position.
- Check the brake fluid level in level viewer ①.
 - » If the brake fluid level has dropped below the marking ①:
 - Add the front brake fluid. 🛠️ (p. 93)

13.6 Adding front brake fluid 🛠️



Warning

Danger of accidents An insufficient brake fluid level will cause the brake system to fail.

If the brake fluid level drops below the specified marking or the specified value, the brake system is leaking or the brake linings are worn down.

- Check the brake system and do not continue riding until the problem is eliminated. (Your authorized KTM workshop will be glad to help.)



Warning

Skin irritation Brake fluid causes skin irritation.

- Keep brake fluid out of the reach of children.
- Wear suitable protective clothing and safety glasses.
- Do not allow brake fluid to come into contact with the skin, the eyes or clothing.
- Consult a doctor immediately if brake fluid has been swallowed.
- Rinse the affected area with plenty of water in the event of contact with the skin.
- Rinse eyes thoroughly with water immediately and consult a doctor if brake fluid comes into contact with the eyes.
- If brake fluid spills on to your clothing, change the clothing.



Warning

Danger of accidents Old brake fluid reduces the braking effect.

- Make sure that brake fluid for the front and rear brake is changed in accordance with the service schedule. (Your authorized KTM workshop will be glad to help.)



Note

Environmental hazard Hazardous substances cause environmental damage.

- Dispose of oils, grease, filters, fuel, cleaning agents, brake fluid, etc., correctly and in compliance with the applicable regulations.

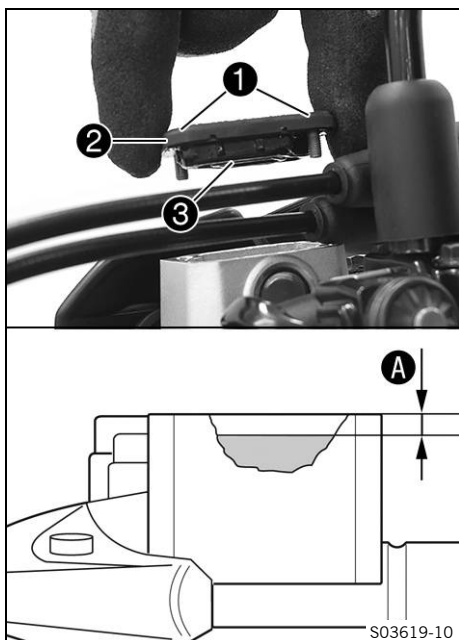


Info

Never use DOT 5 brake fluid. It is silicone-based and purple in color. Oil seals and brake lines are not designed for DOT 5 brake fluid.

Avoid contact between brake fluid and painted parts. Brake fluid attacks paint.

Only use clean brake fluid from a sealed container.



Preparatory work

- Check the front brake linings. (📖 p. 94)

Main work

- Move the brake fluid reservoir mounted on the handlebar to a horizontal position.
- Remove screws ①.
- Take off cover ② with membrane ③.
- Add brake fluid to level A.

Guideline

Level A (brake fluid level below reservoir rim)	5 mm (0.2 in)
---	---------------

Brake fluid DOT 4 / DOT 5.1 (📖 p. 157)
--

- Position the cover with the membrane. Mount and tighten the screws.



Info

Immediately clean up any brake fluid that has overflowed or spilled using water.

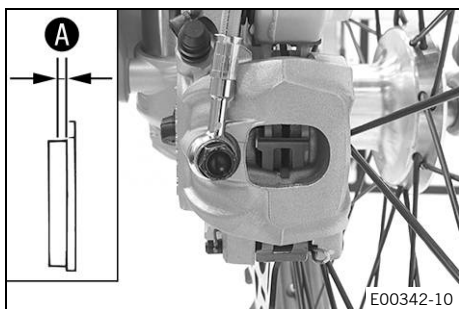
13.7 Checking the front brake linings



Warning

Danger of accidents Worn-out brake linings reduce the braking effect.

- Ensure that worn-out brake linings are replaced immediately. (Your authorized KTM workshop will be glad to help.)



- Check the brake linings for minimum thickness A.

Minimum thickness A	≥ 1 mm (≥ 0.04 in)
---------------------	--------------------

- » If the minimum thickness is less than specified:
 - Change the brake linings of the front brake. 🛠️ (📖 p. 95)
- Check the brake linings for damage and cracking.
 - » If damage or wear is encountered:
 - Change the brake linings of the front brake. 🛠️ (📖 p. 95)

13.8 Changing the brake linings of the front brake



Warning

Danger of accidents Incorrect servicing will cause the brake system to fail.

- Ensure that service work and repairs are performed professionally. (Your authorized KTM workshop will be glad to help.)



Warning

Skin irritation Brake fluid causes skin irritation.

- Keep brake fluid out of the reach of children.
- Wear suitable protective clothing and safety glasses.
- Do not allow brake fluid to come into contact with the skin, the eyes or clothing.
- Consult a doctor immediately if brake fluid has been swallowed.
- Rinse the affected area with plenty of water in the event of contact with the skin.
- Rinse eyes thoroughly with water immediately and consult a doctor if brake fluid comes into contact with the eyes.
- If brake fluid spills on to your clothing, change the clothing.



Warning

Danger of accidents Old brake fluid reduces the braking effect.

- Make sure that brake fluid for the front and rear brake is changed in accordance with the service schedule. (Your authorized KTM workshop will be glad to help.)



Warning

Danger of accidents Oil or grease on the brake discs reduces the braking effect.

- Always keep the brake discs free of oil and grease.
- Clean the brake discs with brake cleaner when necessary.



Warning

Danger of accidents Brake linings which have not been approved alter the braking efficiency.

Not all brake linings are tested and approved for KTM motorcycles. The structure and friction coefficient of the brake linings, and thus their brake power, may vary greatly from that of original brake linings. If brake linings are used that differ from the original equipment, compliance with the original homologation is not guaranteed. In this case, the vehicle no longer corresponds to its condition at delivery and the warranty shall be void.

- Only use brake linings approved and recommended by KTM.



Note

Environmental hazard Hazardous substances cause environmental damage.

- Dispose of oils, grease, filters, fuel, cleaning agents, brake fluid, etc., correctly and in compliance with the applicable regulations.

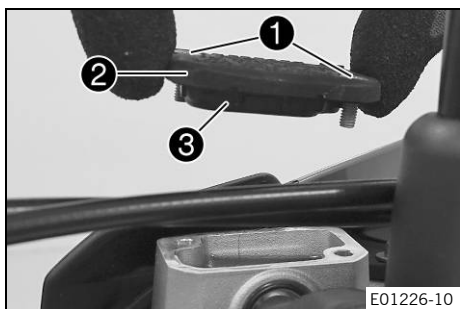


Info

Never use DOT 5 brake fluid. It is silicone-based and purple in color. Oil seals and brake lines are not designed for DOT 5 brake fluid.

Avoid contact between brake fluid and painted parts. Brake fluid attacks paint.

Only use clean brake fluid from a sealed container.

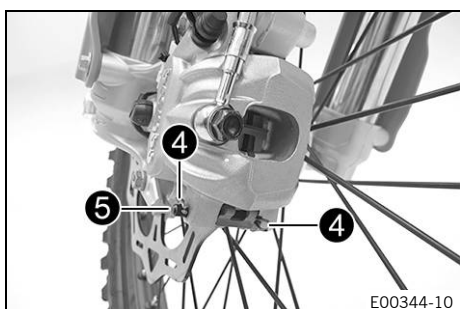


- Move the brake fluid reservoir mounted on the handlebar to a horizontal position.
- Remove screws ①.
- Take off cover ② with membrane ③.
- Manually press the brake caliper toward the brake disc to push back the brake pistons. Ensure that brake fluid does not flow out of the brake fluid reservoir, if necessary extract excess.

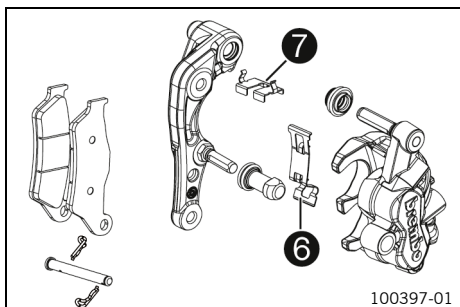


Info

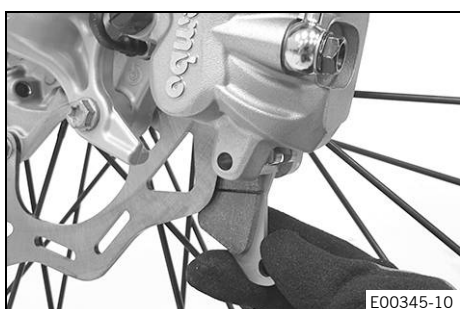
Make sure that you do not press the brake caliper against the spokes when pushing back the brake pistons.



- Remove cotter pin ④, pull out pin ⑤, and remove the brake linings.
- Clean the brake caliper and the brake caliper bracket.



- Check that spring plate ⑥ in the brake caliper and sliding plate ⑦ in the brake caliper bracket are seated correctly.



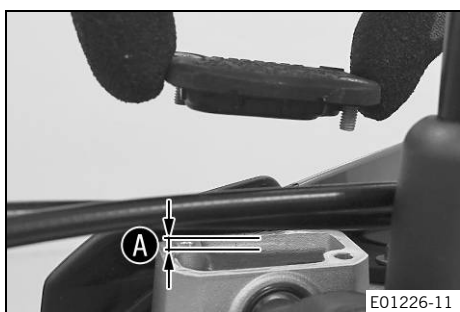
- Insert the new brake linings, insert the pin, and mount the cotter pins.



Info

Always change the brake linings in pairs.

- Operate the hand brake lever repeatedly until the brake linings are in contact with the brake disc and there is a pressure point.



- Correct the brake fluid quantity to level A.

Guideline

Level A (brake fluid level below reservoir rim)	5 mm (0.2 in)
---	---------------

Brake fluid DOT 4 / DOT 5.1 (📖 p. 157)
--

- Position the cover with the membrane. Mount and tighten the screws.



Info

Immediately clean up any brake fluid that has overflowed or spilled with water.

13.9 Checking the free travel of foot brake lever

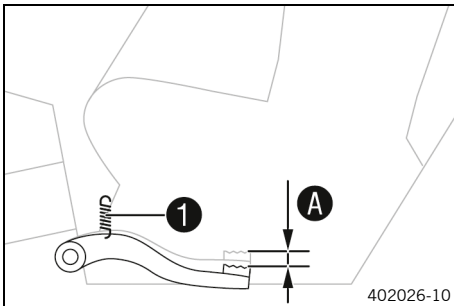


Warning

Danger of accidents The brake system fails in the event of overheating.

If there is no free travel on the foot brake lever, pressure builds up in the brake system on the rear brake.

- Set the free travel on the foot brake lever in accordance with the specification.



- Disconnect spring 1.
- Move the foot brake lever back and forth between the end stop and the contact to the foot brake cylinder piston and check free travel A.

Guideline

Free travel at foot brake lever	3 ... 5 mm (0.12 ... 0.2 in)
---------------------------------	------------------------------

» If the free travel does not meet specifications:

- Adjust the basic position of the foot brake lever. (p. 97)
- Reconnect spring 1.

13.10 Adjusting the basic position of the foot brake lever

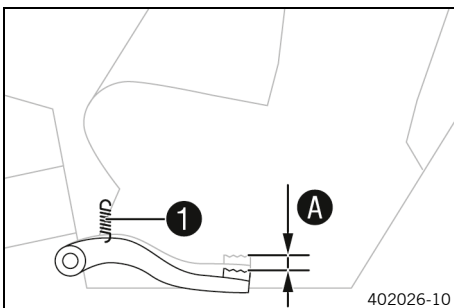


Warning

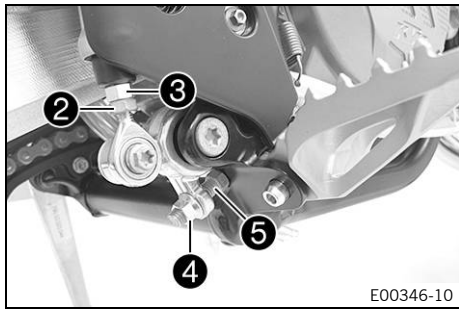
Danger of accidents The brake system fails in the event of overheating.

If there is no free travel on the foot brake lever, pressure builds up in the brake system on the rear brake.

- Set the free travel on the foot brake lever in accordance with the specification.



- Detach spring 1.



- Loosen nut **2** and, with push rod **3**, turn it back until you have maximum free travel.
- To adjust the basic position of the foot brake lever to individual requirements, loosen nut **4** and turn screw **5** accordingly.



Info

The range of adjustment is limited.

- Turn push rod **3** accordingly until you have free travel **A**. If necessary, adjust the basic position of the foot brake lever.

Guideline

Free travel at foot brake lever	3 ... 5 mm (0.12 ... 0.2 in)
---------------------------------	------------------------------

- Hold screw **5** and tighten nut **4**.

Guideline

Nut, foot brake lever stop	M8	20 Nm (14.8 lbf ft)
----------------------------	----	---------------------

- Hold push rod **3** and tighten nut **2**.

Guideline

Remaining nuts, chassis	M6	10 Nm (7.4 lbf ft)
-------------------------	----	--------------------

- Attach spring **1**.

13.11 Checking the rear brake fluid level



Warning

Danger of accidents An insufficient brake fluid level will cause the brake system to fail.

If the brake fluid level drops below the specified marking or the specified value, the brake system is leaking or the brake linings are worn down.

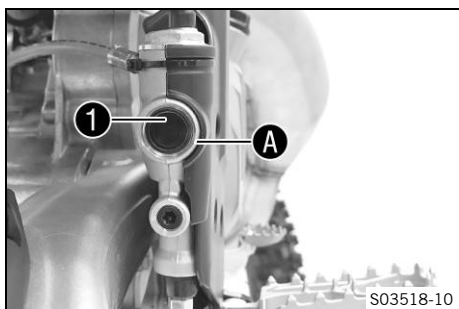
- Check the brake system and do not continue riding until the problem is eliminated. (Your authorized KTM workshop will be glad to help.)



Warning

Danger of accidents Old brake fluid reduces the braking effect.

- Make sure that brake fluid for the front and rear brake is changed in accordance with the service schedule. (Your authorized KTM workshop will be glad to help.)



- Stand the vehicle upright.
- Check the brake fluid level in the viewer **1**.
 - » If the fluid has dropped below marking **A** in the level viewer:
 - Add rear brake fluid. 🛠️ (📖 p. 99)

13.12 Adding rear brake fluid



Warning

Danger of accidents An insufficient brake fluid level will cause the brake system to fail.

If the brake fluid level drops below the specified marking or the specified value, the brake system is leaking or the brake linings are worn down.

- Check the brake system and do not continue riding until the problem is eliminated. (Your authorized KTM workshop will be glad to help.)



Warning

Skin irritation Brake fluid causes skin irritation.

- Keep brake fluid out of the reach of children.
- Wear suitable protective clothing and safety glasses.
- Do not allow brake fluid to come into contact with the skin, the eyes or clothing.
- Consult a doctor immediately if brake fluid has been swallowed.
- Rinse the affected area with plenty of water in the event of contact with the skin.
- Rinse eyes thoroughly with water immediately and consult a doctor if brake fluid comes into contact with the eyes.
- If brake fluid spills on to your clothing, change the clothing.



Warning

Danger of accidents Old brake fluid reduces the braking effect.

- Make sure that brake fluid for the front and rear brake is changed in accordance with the service schedule. (Your authorized KTM workshop will be glad to help.)



Note

Environmental hazard Hazardous substances cause environmental damage.

- Dispose of oils, grease, filters, fuel, cleaning agents, brake fluid, etc., correctly and in compliance with the applicable regulations.

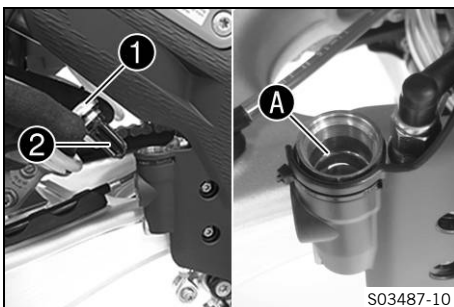


Info

Never use DOT 5 brake fluid. It is silicone-based and purple in color. Oil seals and brake lines are not designed for DOT 5 brake fluid.


Avoid contact between brake fluid and painted parts. Brake fluid attacks paint.

Only use clean brake fluid from a sealed container.




S03487-10

Preparatory work

- Check the brake linings of the rear brake. ( p. 100)

Main work

- Stand the vehicle upright.
- Remove screw cap **1** with membrane **2** and the O-ring.
- Add brake fluid to level **A**.

Brake fluid DOT 4 / DOT 5.1 ( p. 157)

- Mount and tighten the screw cap with the membrane and O-ring.



Info

Clean up overflowed or spilled brake fluid immediately with water.

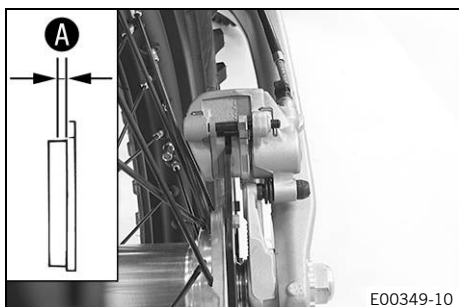
13.13 Checking the brake linings of the rear brake



Warning

Danger of accidents Worn-out brake linings reduce the braking effect.

- Ensure that worn-out brake linings are replaced immediately. (Your authorized KTM workshop will be glad to help.)



- Check the brake linings for minimum thickness **A**.

Minimum thickness A	$\geq 1 \text{ mm } (\geq 0.04 \text{ in})$
----------------------------	---

- » If the minimum thickness is less than specified:
 - Change the brake linings of the rear brake. 🛠️
(📖 p. 100)
- Check the brake linings for damage and cracking.
 - » If damage or wear is encountered:
 - Change the brake linings of the rear brake. 🛠️
(📖 p. 100)

13.14 Changing the brake linings of the rear brake 🛠️



Warning

Danger of accidents Incorrect servicing will cause the brake system to fail.

- Ensure that service work and repairs are performed professionally. (Your authorized KTM workshop will be glad to help.)



Warning

Skin irritation Brake fluid causes skin irritation.

- Keep brake fluid out of the reach of children.
- Wear suitable protective clothing and safety glasses.
- Do not allow brake fluid to come into contact with the skin, the eyes or clothing.
- Consult a doctor immediately if brake fluid has been swallowed.
- Rinse the affected area with plenty of water in the event of contact with the skin.
- Rinse eyes thoroughly with water immediately and consult a doctor if brake fluid comes into contact with the eyes.
- If brake fluid spills on to your clothing, change the clothing.



Warning

Danger of accidents Old brake fluid reduces the braking effect.

- Make sure that brake fluid for the front and rear brake is changed in accordance with the service schedule. (Your authorized KTM workshop will be glad to help.)



Warning

Danger of accidents Brake linings which have not been approved alter the braking efficiency.

Not all brake linings are tested and approved for KTM motorcycles. The structure and friction coefficient of the brake linings, and thus their brake power, may vary greatly from that of original brake linings. If brake linings are used that differ from the original equipment, compliance with the original homologation is not guaranteed. In this case, the vehicle no longer corresponds to its condition at delivery and the warranty shall be void.

- Only use brake linings approved and recommended by KTM.



Note

Environmental hazard Hazardous substances cause environmental damage.

- Dispose of oils, grease, filters, fuel, cleaning agents, brake fluid, etc., correctly and in compliance with the applicable regulations.

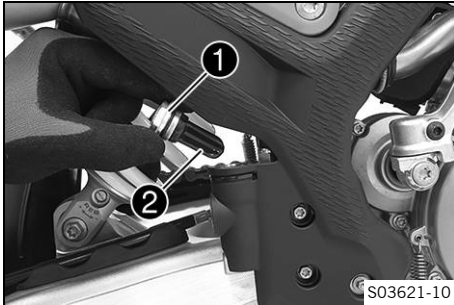


Info

Never use DOT 5 brake fluid. It is silicone-based and purple in color. Oil seals and brake lines are not designed for DOT 5 brake fluid.

Avoid contact between brake fluid and painted parts. Brake fluid attacks paint.

Only use clean brake fluid from a sealed container.

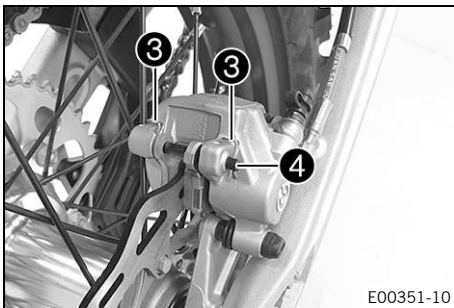


- Position the vehicle vertically.
- Remove screw cap ① with membrane ② and the O-ring.
- Press the brake piston back into the basic position and ensure that brake fluid does not flow out of the brake fluid reservoir; extract some if necessary.

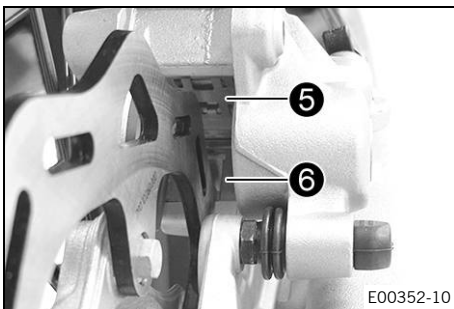


Info

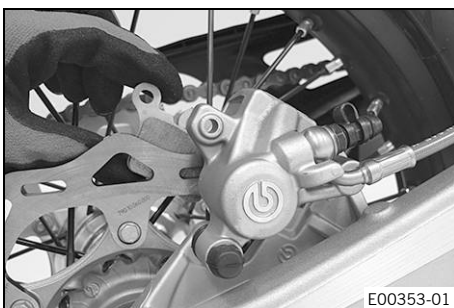
Make sure that you do not press the brake caliper against the spokes when pushing back the brake piston.



- Remove cotter pin ③, pull out pin ④, and remove the brake linings.
- Clean the brake caliper and the brake caliper bracket.



- Check that spring plate ⑤ in the brake caliper and sliding plate ⑥ in the brake caliper bracket are seated correctly.



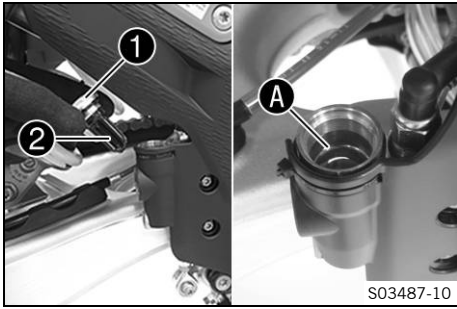
- Insert the new brake linings, insert the pin, and mount the cotter pins.



Info

Always change the brake linings in pairs.

- Operate the foot brake lever repeatedly until the brake linings are in contact with the brake disc and there is a pressure point.



- Add brake fluid to level **A**.

Brake fluid DOT 4 / DOT 5.1 (📖 p. 157)

- Mount screw cap **1** with membrane **2** and O-ring.



Info

Immediately clean up any brake fluid that has overflowed or spilled with water.

14.1 Removing the front wheel ↩

Preparatory work

- Raise the motorcycle with a lift stand. (📖 p. 62)

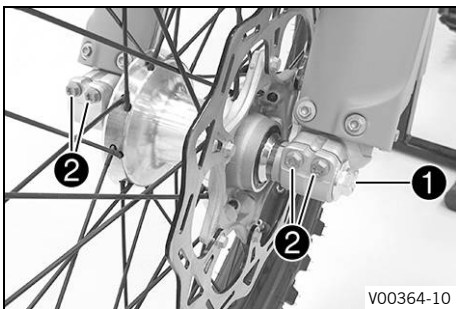
Main work

- Manually press the brake caliper toward the brake disc to push back the brake pistons.

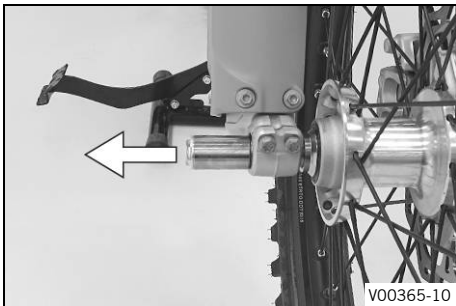


Info

Make sure that you do not press the brake caliper against the spokes when pushing back the brake pistons.



- Loosen screw ① by several rotations.
- Loosen screws ②.
- Press on screw ① to push the wheel spindle out of the axle clamp.
- Remove screw ①.



Warning

Danger of accidents Damaged brake discs reduce the braking effect.

- Always lay the wheel down in such a way that the brake disc is not damaged.

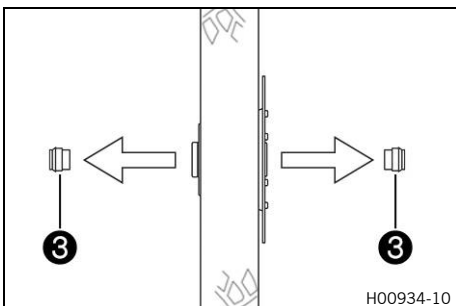
- Hold the front wheel and remove the wheel spindle. Take the front wheel out of the fork.



Info

Do not actuate the hand brake lever when the front wheel is removed.

- Remove spacers ③.



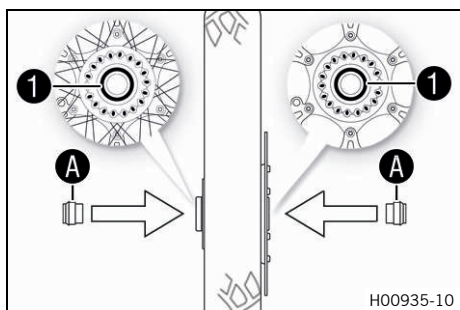
14.2 Installing the front wheel ↩



Warning

Danger of accidents Oil or grease on the brake discs reduces the braking effect.

- Always keep the brake discs free of oil and grease.
- Clean the brake discs with brake cleaner when necessary.



- Check the wheel bearing for damage and wear.
 - » If the wheel bearing is damaged or worn:
 - Change front wheel bearing. ↩
- Clean and grease shaft seal rings **1** and contact surface **A** of the spacers.

Long-life grease (📖 p. 159)

- Insert the spacers.
- Clean and grease the wheel spindle.

Long-life grease (📖 p. 159)

- Position the front wheel and insert the wheel spindle.
 - ✓ The brake linings are correctly positioned.

- Mount and tighten screw **2**.

Guideline

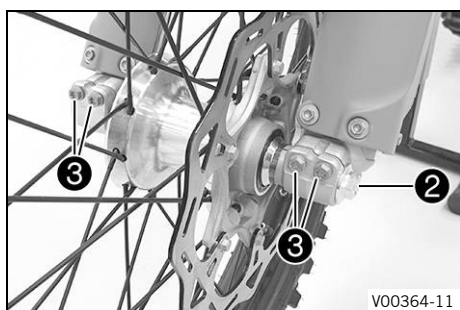
Screw, front wheel spindle	M20x1.5	35 Nm (25.8 lbf ft)
----------------------------	---------	---------------------

- Operate the hand brake lever several times until the brake linings are seated correctly against the brake disc.
- Remove the motorcycle from the lift stand. (📖 p. 62)
- Operate the front brake and compress the fork a few times firmly.
 - ✓ The fork legs straighten.

- Tighten screws **3**.

Guideline

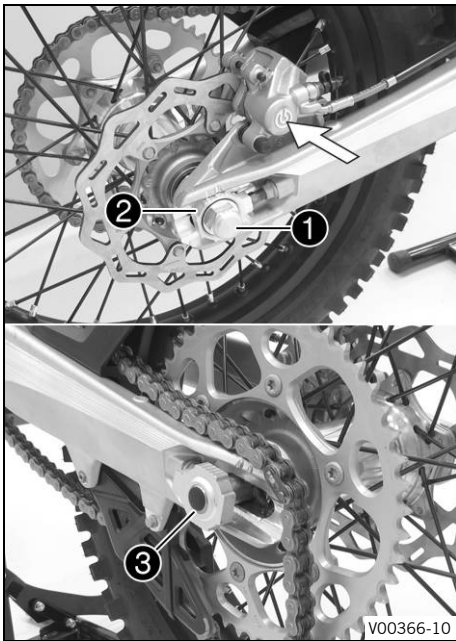
Screw, fork stub	M8	15 Nm (11.1 lbf ft)
------------------	----	---------------------



14.3 Removing the rear wheel ↩

Preparatory work

- Raise the motorcycle with a lift stand. (📖 p. 62)



Main work

- Manually press the brake caliper toward the brake disc to push back the brake piston.

i Info
Make sure that you do not press the brake caliper against the spokes when pushing back the brake piston.

- Remove nut ①.
- Take off chain adjuster ②. Pull out wheel spindle ③ far enough to allow the rear wheel to be pushed forward.
- Push the rear wheel forward as far as possible. Remove the chain from the rear sprocket.

i Info
Cover the components to protect them against damage.

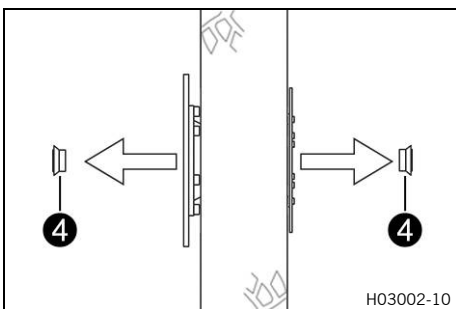
! Warning
Danger of accidents Damaged brake discs reduce the braking effect.

- Always lay the wheel down in such a way that the brake disc is not damaged.

- Hold the rear wheel and remove the wheel spindle. Take the rear wheel out of the link fork.

i Info
Do not operate the foot brake lever when the rear wheel is removed.

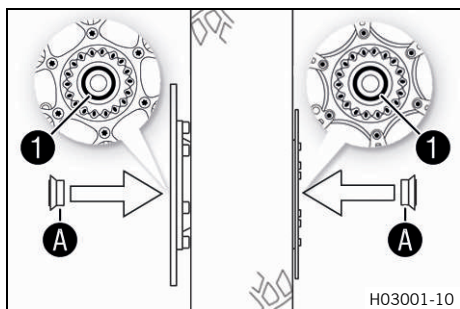
- Remove spacers ④.



14.4 Installing the rear wheel

! Warning
Danger of accidents Oil or grease on the brake discs reduces the braking effect.

- Always keep the brake discs free of oil and grease.
- Clean the brake discs with brake cleaner when necessary.



Main work

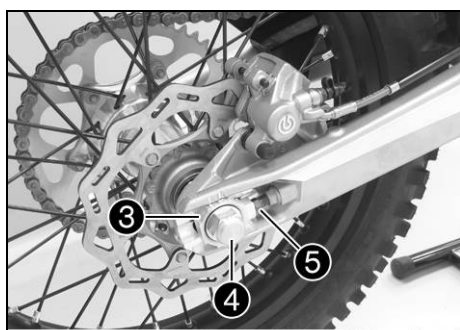
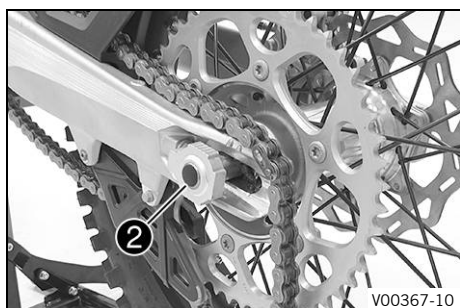
- Check the wheel bearing for damage and wear.
 - » If the wheel bearing is damaged or worn:
 - Change the rear wheel bearing. 🛠️
- Clean and grease shaft seal rings **1** and contact surface **A** of the spacers.

Long-life grease (📖 p. 159)

- Insert the spacers.
- Clean and grease the wheel spindle.

Long-life grease (📖 p. 159)

- Position rear wheel and insert wheel spindle **2**.
- Mount the chain.
 - ✓ The brake linings are correctly positioned.



- Position chain adjuster **3**. Mount nut **4**, but do not tighten it yet.
- Make sure that chain adjusters **3** are fitted correctly on adjusting screws **5**.
- Check the chain tension. (📖 p. 81)
- Tighten nut **4**.

Guideline

Nut, rear wheel spindle	M20x1.5	80 Nm (59 lbf ft)
-------------------------	---------	-------------------

Info

The wide adjustment range of the chain adjusters (32 mm (1.26 in)) enables different secondary ratios with the same chain length.
Chain adjusters **3** can be turned by 180°.

- Operate the foot brake lever repeatedly until the brake linings are in contact with the brake disc and there is a pressure point.

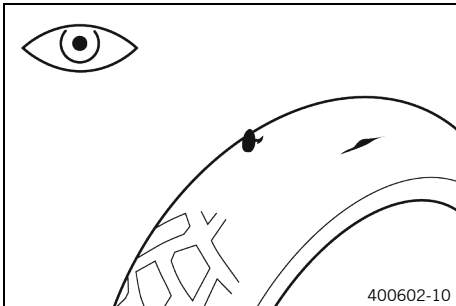
Finishing work

- Remove the motorcycle from the lift stand. (📖 p. 62)

14.5 Checking the tire condition

i Info

Only mount tires approved and/or recommended by KTM. Other tires could have a negative effect on handling characteristics. The type, condition, and pressure of the tires all have a major impact on the handling characteristic of the motorcycle. Worn tires have a negative effect on handling characteristics, especially on wet surfaces.



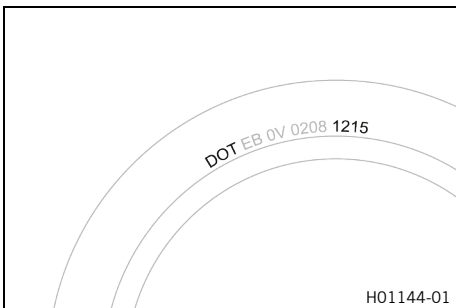
- Check the front and rear tires for cuts, embedded objects, and other damage.
 - » If the tires have cuts, run-in objects, or other damage:
 - Change the tires. 🛠️
- Check the tread depth.

i Info

Adhere to the legally required minimum tread depth.

Minimum tread depth	≥ 2 mm (≥ 0.08 in)
---------------------	--------------------

- » If the tread depth is less than the minimum tread depth:
 - Change the tires. 🛠️



- Check the tire age.

i Info

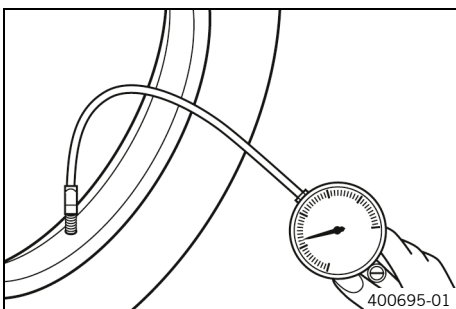
The tire date of manufacture is usually contained in the tire label and is indicated by the last four digits of the **DOT** number. The first two digits indicate the week of manufacture and the last two digits the year of manufacture. KTM recommends that the tires be changed after 5 years at the latest, regardless of the actual state of wear.

- » If the tires are more than 5 years old:
 - Change the tires. 🛠️

14.6 Checking tire pressure

i Info

Low tire pressure leads to abnormal wear and overheating of the tire. Correct tire pressure ensures optimal riding comfort and maximum tire service life.



- Remove protection cap.
- Check tire pressure when the tires are cold.

Street tire pressure (150 EXC TPI EU)	
front	1.5 bar (22 psi)
rear	1.8 bar (26 psi)

Offroad tire pressure	
front	1.0 bar (15 psi)

rear	1.0 bar (15 psi)
------	------------------

- » If the tire pressure does not meet specifications:
 - Correct tire pressure.
- Mount the protection cap.

14.7 Checking spoke tension

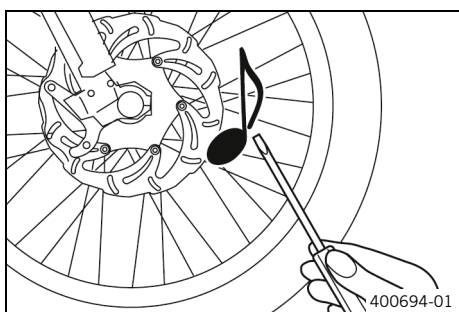


Warning

Danger of accidents Incorrectly tensioned spokes impair the handling characteristic and result in secondary damage.

The spokes break due to being overloaded if they are too tightly tensioned. If the tension in the spokes is too low, then lateral and radial run-out will form in the wheel. Other spokes will become looser as a result.

- Check spoke tension regularly, and in particular on a new vehicle. (Your authorized KTM workshop will be glad to help.)



- Strike each spoke briefly using a screwdriver blade.

Info

The frequency of the sound depends on the spoke length and spoke diameter. If you hear different tone frequencies from different spokes of equal length and diameter, this is an indication of different spoke tensions.

You should hear a high note.

- » If the spoke tension differs:
 - Correct the spoke tension. 🛠️
- Check the spoke torque.

Guideline

Spoke nipple, front wheel	M4.5	5 Nm (3.7 lbf ft)
Spoke nipple, rear wheel	M4.5	5 Nm (3.7 lbf ft)

Torque wrench kit (58429094000)

15.1 Removing the 12-V battery ↘



Note

Environmental hazard 12 V batteries contain environmentally hazardous materials.

- Do not dispose of 12 V batteries as household waste.
- Dispose of 12 V batteries at a collection point for used batteries.



Note

Environmental hazard Hazardous substances cause environmental damage.

- Dispose of oils, grease, filters, fuel, cleaning agents, brake fluid, etc., correctly and in compliance with the applicable regulations.

Preparatory work

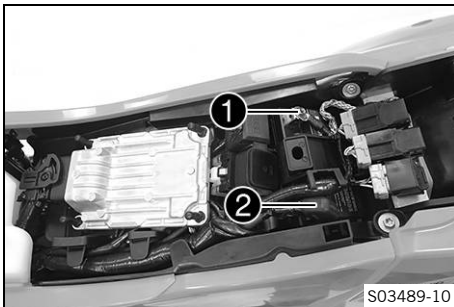
(150 EXC TPI EU)

- Press and hold the switch-off button ☒ while the engine is idling until the engine stops.

(150 XC-W TPI US)

- Press and hold the switch-off button ☒ while the engine is idling until the engine stops.
- Remove the seat. (📖 p. 72)

Main work

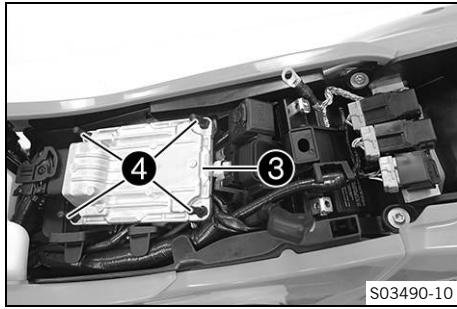


Warning

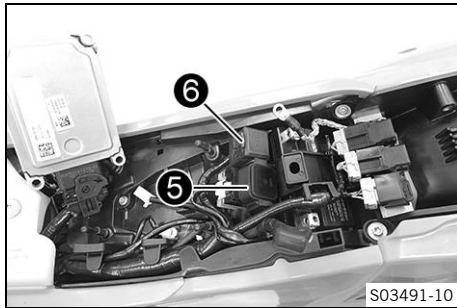
Risk of injury 12 V batteries contain harmful substances.

- Keep 12 V batteries out of the reach of children.
- Keep sparks and open flames away from 12 V batteries.
- Only charge 12 V batteries in well-ventilated rooms.
- Maintain a minimum clearance from inflammable materials when charging 12 V batteries.
Minimum clearance 1 m (3 ft)
- Do not charge deeply discharged 12 V batteries if the charge is already below the minimum voltage.
Minimum voltage before 9 V the start of the charge
- Dispose of 12 V batteries with less than the minimum voltage correctly.

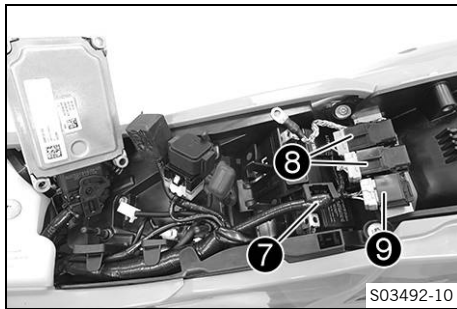
- Disconnect negative cable ① from the 12-V battery.
- Pull back positive terminal cover ② and disconnect the positive cable from the 12-V battery.



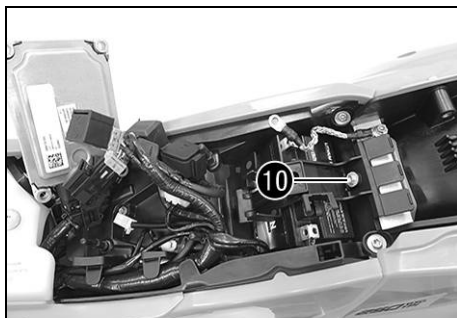
- Pull EFI control unit **3** upward off rubber lugs **4** and hang to the side.



- Pull off starter relay **5** and fuse box **6** from the battery compartment and hang to the side.



- Detach wiring harness **7**, disconnect relays **8** and plug **9**, and hang to the side.



- Remove screw **10** and detach the battery compartment.
- Lift out the 12-V battery.



15.2 Installing the 12-V battery ↗



Main work

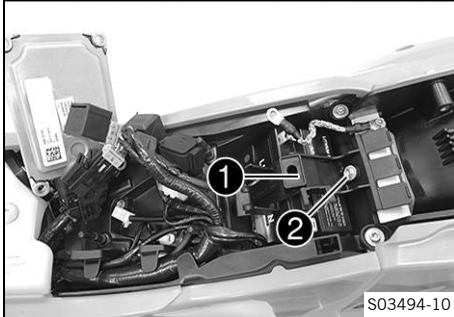
- Insert the 12-V battery into the battery compartment with the terminals facing forward and secure with holding bracket **1**.

12-V battery (HJTZ5S-FP) (📖 p. 153)

- Mount and tighten screw **2**.

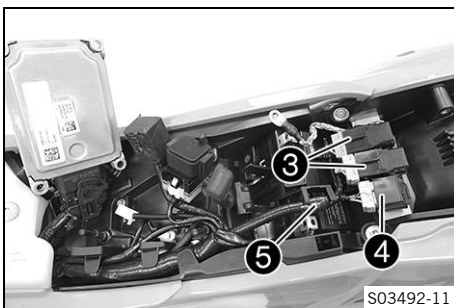
Guideline

Remaining screws, chassis	M6	10 Nm (7.4 lbf ft)
---------------------------	----	--------------------



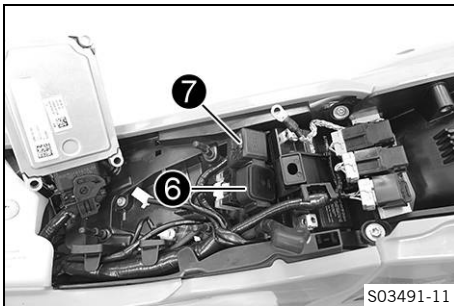
S03494-10

- Place relays **3** and connector **4** on the battery compartment and attach the wiring harness **5**.



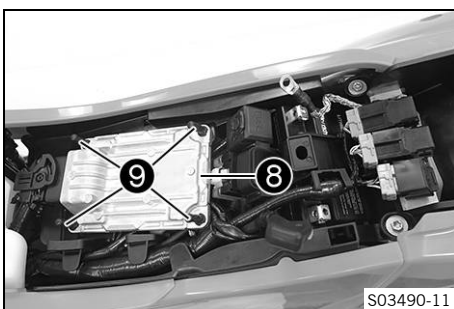
S03492-11

- Attach starter relay **6** and fuse box **7** to the battery compartment.

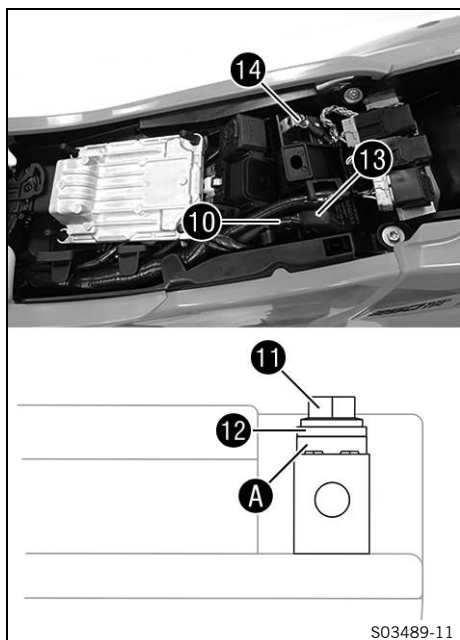


S03491-11

- Secure EFI control unit **8** with the rubber lugs **9**.



S03490-11



- Connect positive cable 10 to the 12-V battery.

Guideline

Screw, battery terminal	M5	2.5 Nm (1.84 lbf ft)
-------------------------	----	-------------------------



Info

Contact disk A must be mounted under screw 11 and cable lug 12 with the claws toward the battery terminal.

- Slide positive terminal cover 13 over the positive terminal.
- Connect negative cable 14 to the 12-V battery.

Guideline

Screw, battery terminal	M5	2.5 Nm (1.84 lbf ft)
-------------------------	----	-------------------------

Finishing work

- Mount the seat. (📖 p. 72)

15.3 Charging the 12-V battery ↗



Note

Environmental hazard 12 V batteries contain environmentally hazardous materials.

- Do not dispose of 12 V batteries as household waste.
- Dispose of 12 V batteries at a collection point for used batteries.



Note

Environmental hazard Hazardous substances cause environmental damage.

- Dispose of oils, grease, filters, fuel, cleaning agents, brake fluid, etc., correctly and in compliance with the applicable regulations.



Info

Even if there is no load on the 12-V battery, it discharges each day. The charging level and the method of charging are very important for the service life of the 12-V battery. Rapid recharging with a high charging current shortens the service life of the battery. If the 12-V battery is depleted by repeated starting, the 12-V battery must be charged immediately.

Preparatory work

(150 EXC TPI EU)

- Press and hold the switch-off button ☒ while the engine is idling until the engine stops.

(150 XC-W TPI US)

- Press and hold the switch-off button ☒ while the engine is idling until the engine stops.
- Remove the seat. (📖 p. 72)
- Remove the 12-V battery. ↗ (📖 p. 109)



Main work

**Warning**

Risk of injury 12 V batteries contain harmful substances.

- Keep 12 V batteries out of the reach of children.
- Keep sparks and open flames away from 12 V batteries.
- Only charge 12 V batteries in well-ventilated rooms.
- Maintain a minimum clearance from inflammable materials when charging 12 V batteries.
Minimum clearance 1 m (3 ft)
- Do not charge deeply discharged 12 V batteries if the charge is already below the minimum voltage.
Minimum voltage before 9 V the start of the charge
- Dispose of 12 V batteries with less than the minimum voltage correctly.

- Check the battery voltage.
 - » Battery voltage: < 9 V
 - Do not charge the 12-V battery.
 - Replace the 12-V battery and dispose of the old 12-V battery properly.
 - » If the specifications have been met:
Battery voltage: ≥ 9 V
 - Connect a battery charger to the 12-V battery. Switch on the battery charger.

Guideline

Maximum charging voltage	14.4 V
Maximum charging current	3.0 A
Maximum charging time	12 h
Recharge the 12-V battery regularly when the motorcycle is not being used	6 months
Ideal charging and storage temperature of the lithium-ion battery	10 ... 20 °C (50 ... 68 °F)

Battery charger (79629974000)

The charging time may be longer at low temperatures. This battery charger is not suitable for the trickle charging of lithium-ion batteries.

i Info
 If the charging current, charging voltage, or charging time is exceeded, the 12-V battery will be destroyed.
 If the 12-V battery is left in a discharged state for an extended period, it will become deeply discharged and suffer a loss of capacity, destroying the battery.
 The 12-V battery is maintenance-free.
 Never remove cover **1**.

- Switch off the battery charger after charging and disconnect it from the 12-V battery.

Finishing work

- Install the 12-V battery. 📖 (p. 111)
- Mount the seat. 📖 (p. 72)

15.4 Changing main fuse



Warning

Fire hazard Incorrect fuses overload the electrical system.

- Only use fuses with the required ampere value.
- Do not bypass or repair fuses.



Info

The main fuse protects all power consumers of the vehicle.

**Preparatory work
 (150 EXC TPI EU)**

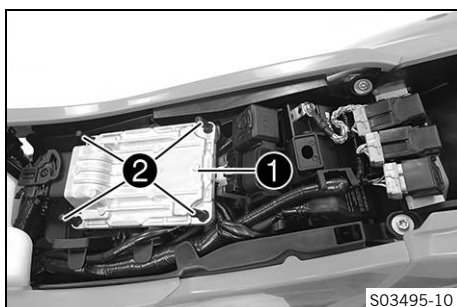
- Press and hold the switch-off button ☒ while the engine is idling until the engine stops.

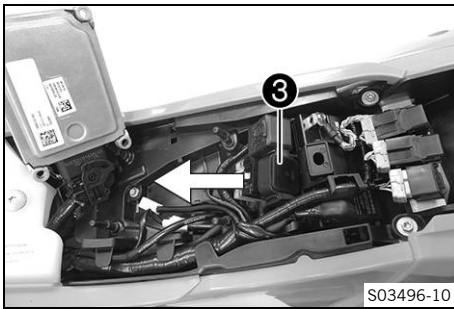
(150 XC-W TPI US)

- Press and hold the switch-off button ☒ while the engine is idling until the engine stops.
- Remove the seat. 📖 (p. 72)

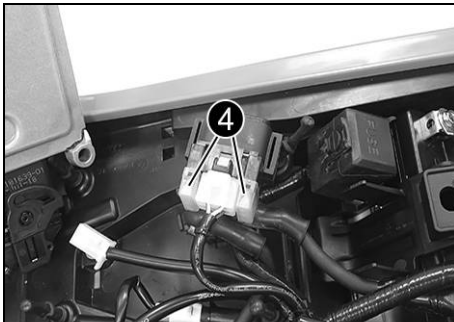
Main work

- Pull EFI control unit **1** upward off the rubber lugs **2** and hang to the side.





- Pull starter relay ③ from the holder.



- Take off protection caps ④.
- Remove faulty main fuse ⑤.

i Info

A faulty fuse has a burned-out fuse wire **A**.
A spare fuse ⑥ is located in the starter relay.

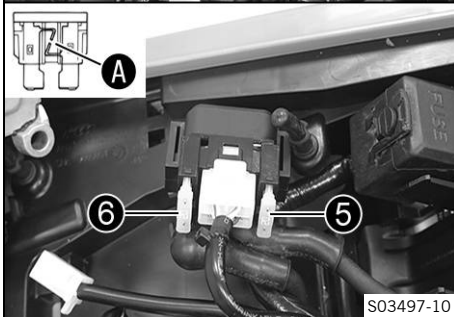
- Insert a new main fuse.

Fuse (58011109120) (📖 p. 153)

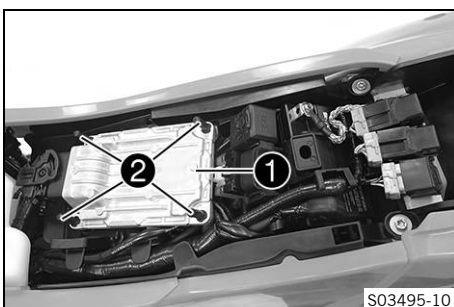
- Check that the electrical system is functioning properly.

i Tip

Insert a spare fuse so that it is available if needed.



- Attach the protection caps ④.
- Mount starter relay ③ onto the holder and route the cable.



- Mount the EFI control unit ① on the rubber lugs ②.

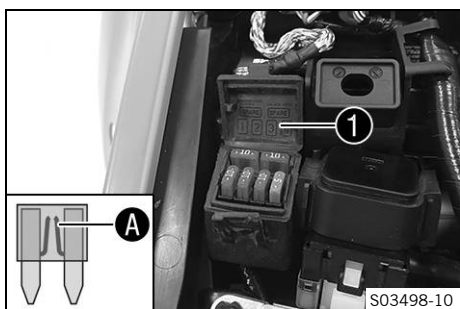
Finishing work

- Mount the seat. (📖 p. 72)

15.5 Changing the fuses of individual power consumers

i Info

The fuse box containing the fuses of individual power consumers is located under the seat.



Preparatory work

(150 EXC TPI EU)

- Press and hold the switch-off button ☒ while the engine is idling until the engine stops.

(150 XC-W TPI US)

- Press and hold the switch-off button ☒ while the engine is idling until the engine stops.
- Remove the seat. (📖 p. 72)

Main work

- Open fuse box cover ❶.
- Remove faulty fuse.

Guideline

(150 EXC TPI EU)

Fuse 1 - 10 A - EFI control unit, lambda sensor, oil pump, combination instrument, electronic fuel injection, diagnostics connector

Fuse 2 - 10 A - horn, brake light, radiator fan (optional), turn signal

Fuse 3 - 10 A - high beam, low beam, position light, tail light, license plate lamp

Fuse 4 - 5 A - fuel pump

(150 XC-W TPI US)

Fuse 1 - 10 A - EFI control unit, oil pump, combination instrument, electronic fuel injection, diagnostics connector
--

Fuse 2 - 10 A - radiator fan (optional)

Fuse 3 - 10 A - low beam, position light, tail light
--

Fuse 4 - 5 A - fuel pump

Fuses res - 10 A - spare fuse

i Info

A faulty fuse has a burned-out fuse wire ❶.



Warning

Fire hazard Incorrect fuses overload the electrical system.

- Only use fuses with the required ampere value.
- Do not bypass or repair fuses.

- Insert spare fuse with the correct rating.

Fuse (75011088010) (📖 p. 153)

Fuse (75011088005) (📖 p. 153)

i Tip
Insert a spare fuse in the fuse box so that it is available if needed.

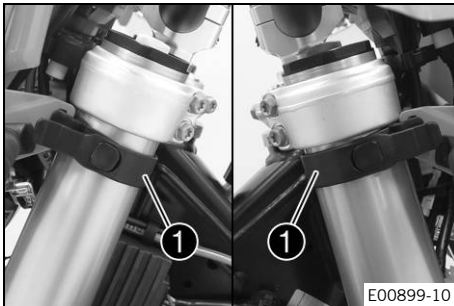
- Check that the power consumer is functioning properly.
- Close the fuse box cover ①.

Finishing work

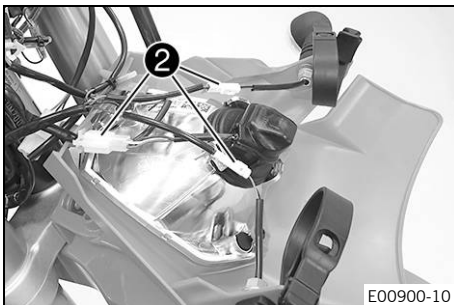
- Mount the seat. (📖 p. 72)



15.6 Removing the headlight mask with the headlight

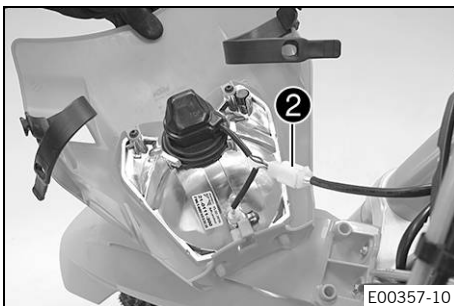


- Detach the brake line and wiring harness from the headlight mask.
- Loosen rubber strap ①. Slide the headlight mask up and swing it forward.



(150 EXC TPI EU)

- Detach plug-in connectors ② and take off the headlight mask with the headlight.

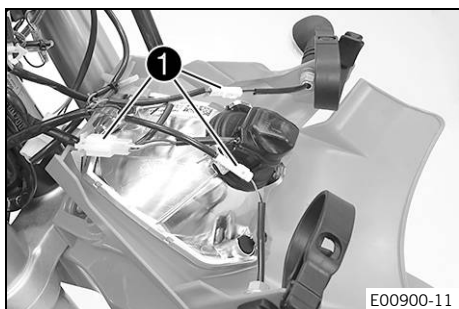


(150 XC-W TPI US)

- Disconnect plug-in connector ② and take off the headlight mask together with the headlight.

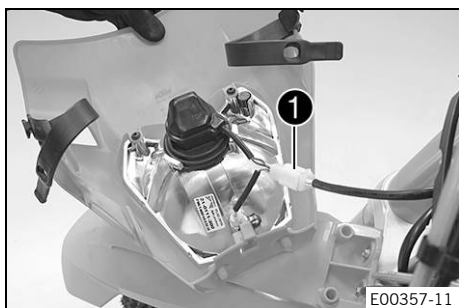


15.7 Installing the headlight mask with the headlight



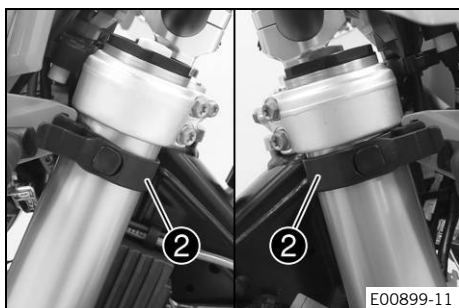
Main work (150 EXC TPI EU)

- Join plug-in connectors ❶.



(150 XC-W TPI US)

- Join plug-in connector ❶.



- Position the headlight mask and secure it with rubber straps ❷.
- ✓ The holding lugs engage in the fender.
- Position the brake line and wiring harness in the brake line guide.

Finishing work

- Check the headlight setting. (📖 p. 120)

15.8 Changing the headlight bulb

Note

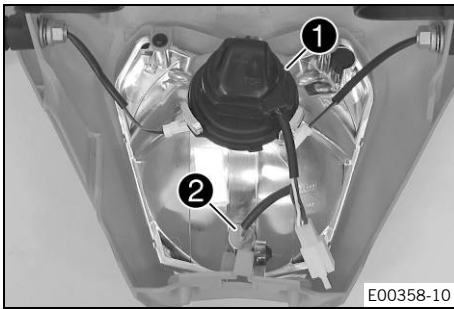
Damage to reflector Grease on the reflector reduces the light intensity.

Grease on the bulb will evaporate due to the heat and be deposited on the reflector.

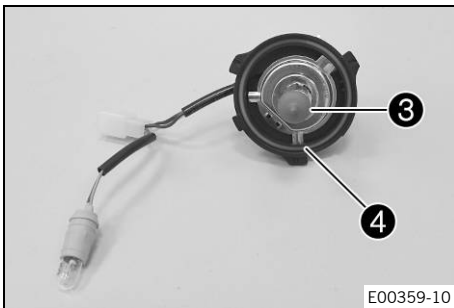
- Clean and degrease the bulbs before mounting.
- Do not touch the bulbs with your bare hands.

Preparatory work

- Remove the headlight mask with the headlight. (📖 p. 117)

**Main work**

- Turn protection cap ① together with the underlying bulb socket counterclockwise all the way and remove it.
- Pull bulb socket ② of the position light out of the reflector.



- Pull out headlight bulb ③.
- Insert the new headlight bulb.

Headlight (HS1/socket BX43t) (📖 p. 153)

- Insert the protection cap with the bulb socket into the reflector and turn it clockwise all the way.

**Info**

Ensure that O-ring ④ is seated properly.

- Insert the bulb socket of the position light into the reflector.

Finishing work

- Install the headlight mask with the headlight. (📖 p. 118)
- Check the headlight setting. (📖 p. 120)



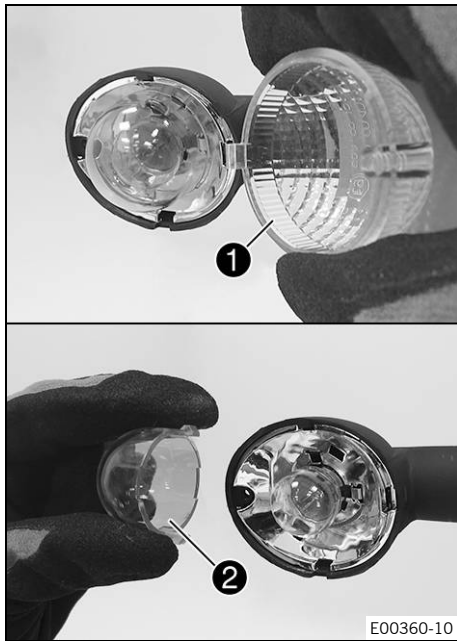
15.9 Changing the turn signal bulb (150 EXC TPI EU)

Note

Damage to reflector Grease on the reflector reduces the light intensity.

Grease on the bulb will evaporate due to the heat and be deposited on the reflector.

- Clean and degrease the bulbs before mounting.
- Do not touch the bulbs with your bare hands.



Main work

- Remove the screw on the rear of the turn signal housing.
- Carefully remove turn signal glass ①.
- Lightly squeeze orange cap ② in the area of the holding lugs and take it off.
- Press the turn signal bulb lightly into the socket, turn it counterclockwise by about 30°, and take it out of the socket.

Info

Do not touch the reflector with your fingers and keep it free from grease.

- Press the new turn signal bulb carefully into the socket and turn it clockwise until it stops.

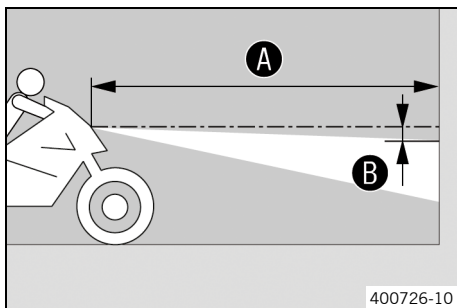
Turn signal (R10W / socket BA15s) (📖 p. 153)
--

- Mount the orange cap.
- Position the turn signal glass.
- Insert the screw and first turn counterclockwise until it engages in the thread with a small jerk. Tighten the screw lightly.

Finishing work

- Check that the turn signal system is functioning properly.

15.10 Checking the headlight setting



- Park the vehicle on a horizontal surface in front of a light-colored wall and make a mark at the height of the center of the low beam headlight.
- Make another mark at a distance ② under the first marking.

Guideline

Distance ②	5 cm (2 in)
------------	-------------

- Position the vehicle vertically at a distance ① away from the wall.

Guideline

Distance ①	5 m (16 ft)
------------	-------------

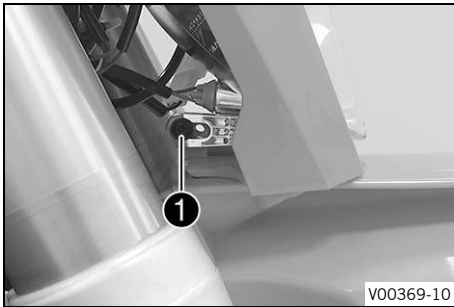
- The rider now sits down on the motorcycle.
- Switch on the low beam.
- Check the headlight setting.

The boundary between light and dark must be exactly on the lower mark for a motorcycle with rider.
--

- » If the boundary between light and dark does not meet specifications:

- Adjust the headlight range. (📖 p. 121)

15.11 Adjusting the headlight range



Preparatory work

- Check the headlight setting. (📖 p. 120)

Main work

- Loosen screw ❶.
- Adjust the headlight range by pivoting the headlight.

Guideline

The boundary between light and dark must be exactly on the lower mark for a motorcycle with rider (instructions on how to apply the mark: Checking the headlight setting).



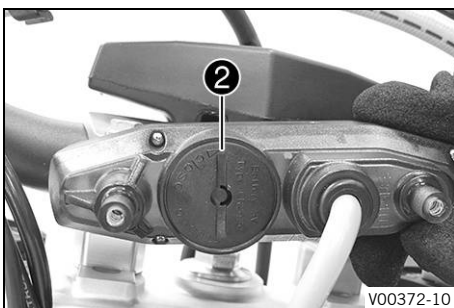
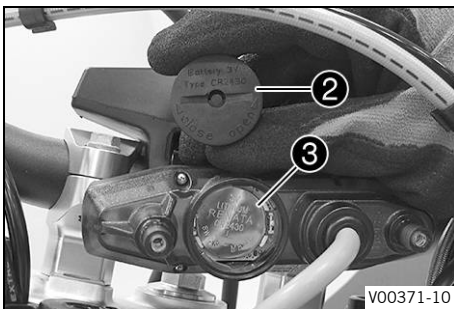
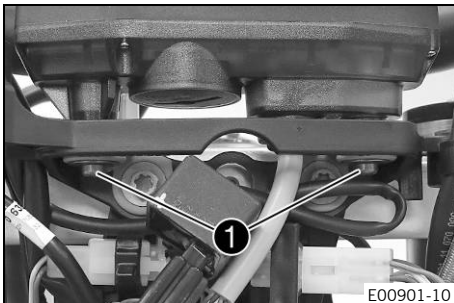
Info

If you have a payload, you may have to correct the headlight range.

- Tighten screw ❶.



15.12 Changing the combination instrument battery



Preparatory work

- Remove the headlight mask with the headlight. (📖 p. 117)

Main work

- Remove screws ❶.
- Pull the combination instrument upward out of the holder.

- Using a coin, turn protection cap ❷ all the way counterclockwise and take it off.
- Remove combination instrument battery ❸.
- Insert the combination instrument battery with the label facing outward.

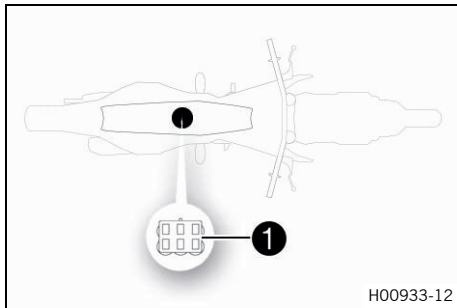
Combination instrument battery (CR 2430) (📖 p. 153)

- Check the O-ring of the protection cap for correct seating.
- Position protection cap ❷ and turn all the way clockwise using a coin.
- Press any button on the combination instrument.
 - ✓ The combination instrument is activated.
- Position the combination instrument in the holder.
- Mount and tighten the screws with washers.

Finishing work

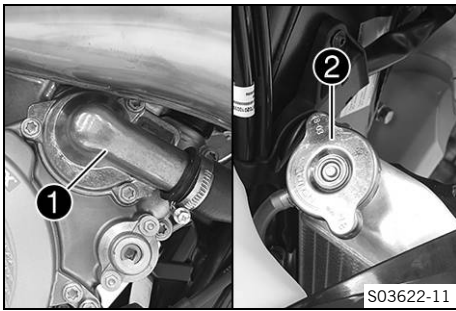
- Install the headlight mask with the headlight. (📖 p. 118)
- Check the headlight setting. (📖 p. 120)
- Set the kilometers or miles. (📖 p. 25)
- Adjust combination instrument function. (📖 p. 26)
- Set the clock. (📖 p. 27)

15.13 Diagnostics connector



Diagnostics connector **1** is located under the seat below the EFI control unit.

16.1 Cooling system



Water pump ① in the engine ensures forced circulation of the coolant.
 The pressure resulting from the warming of the cooling system is regulated by a valve in radiator cap ②. This ensures that operating the vehicle at the specified coolant temperature will not result in a risk of malfunctions.

120 °C (248 °F)

Cooling is effected by the air stream.
 The lower the speed, the less the cooling effect. Dirty cooling fins also reduce the cooling effect.

16.2 Checking the antifreeze and coolant level



Warning

Danger of scalding During motorcycle operation, the coolant gets very hot and is under pressure.

- Do not open the radiator, the radiator hoses or other cooling system components if the engine or the cooling system are at operating temperature.
- Allow the cooling system and the engine to cool down before you open the radiator, the radiator hoses or other components of the cooling system.
- In the event of scalding, rinse the area affected immediately with lukewarm water.



Warning

Danger of poisoning Coolant is toxic and a health hazard.

- Keep coolant out of the reach of children.
- Do not allow coolant to come into contact with the skin, the eyes and clothing.
- Consult a doctor immediately if coolant is swallowed.
- Rinse the affected area immediately with plenty of water in the event of contact with the skin.
- Rinse eyes thoroughly with water and consult a doctor immediately if coolant gets into the eyes.
- Change clothing if coolant spills onto your clothing.

Condition

The engine is cold.

- Stand the motorcycle upright on a horizontal surface.
- Remove the radiator cap.
- Check the coolant antifreeze.

-25 ... -45 °C (-13 ... -49 °F)

» If the antifreeze in the coolant does not match the specified value:

- Correct the coolant antifreeze.

- Check the coolant level in the radiator.

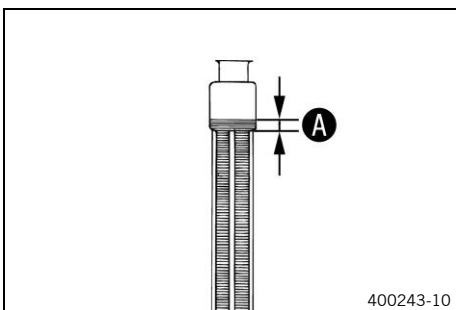
Coolant level ① above the radiator fins	10 mm (0.39 in)
---	-----------------

» If the coolant level does not match the specified value:

- Correct the coolant level.

Coolant (📖 p. 157)

- Mount the radiator cap.



16.3 Checking the coolant level



Warning

Danger of scalding During motorcycle operation, the coolant gets very hot and is under pressure.

- Do not open the radiator, the radiator hoses or other cooling system components if the engine or the cooling system are at operating temperature.
- Allow the cooling system and the engine to cool down before you open the radiator, the radiator hoses or other components of the cooling system.
- In the event of scalding, rinse the area affected immediately with lukewarm water.



Warning

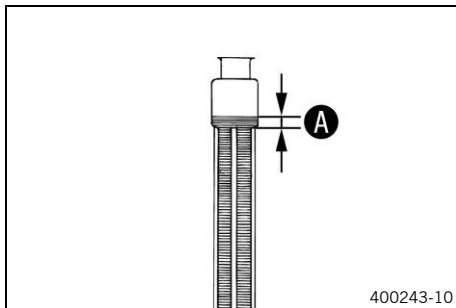
Danger of poisoning Coolant is toxic and a health hazard.

- Keep coolant out of the reach of children.
- Do not allow coolant to come into contact with the skin, the eyes and clothing.
- Consult a doctor immediately if coolant is swallowed.
- Rinse the affected area immediately with plenty of water in the event of contact with the skin.
- Rinse eyes thoroughly with water and consult a doctor immediately if coolant gets into the eyes.
- Change clothing if coolant spills onto your clothing.

Condition

The engine is cold.

- Stand the motorcycle upright on a horizontal surface.
- Remove the radiator cap.
- Check the coolant level in the radiator.



Coolant level A above the radiator fins	10 mm (0.39 in)
--	-----------------

- » If the coolant level does not match the specified value:
 - Correct the coolant level.

Coolant (📖 p. 157)

- Mount the radiator cap.

16.4 Draining the coolant 🐉



Warning

Danger of scalding During motorcycle operation, the coolant gets very hot and is under pressure.

- Do not open the radiator, the radiator hoses or other cooling system components if the engine or the cooling system are at operating temperature.
- Allow the cooling system and the engine to cool down before you open the radiator, the radiator hoses or other components of the cooling system.
- In the event of scalding, rinse the area affected immediately with lukewarm water.



Warning

Danger of poisoning Coolant is toxic and a health hazard.

- Keep coolant out of the reach of children.
- Do not allow coolant to come into contact with the skin, the eyes and clothing.
- Consult a doctor immediately if coolant is swallowed.
- Rinse the affected area immediately with plenty of water in the event of contact with the skin.
- Rinse eyes thoroughly with water and consult a doctor immediately if coolant gets into the eyes.
- Change clothing if coolant spills onto your clothing.

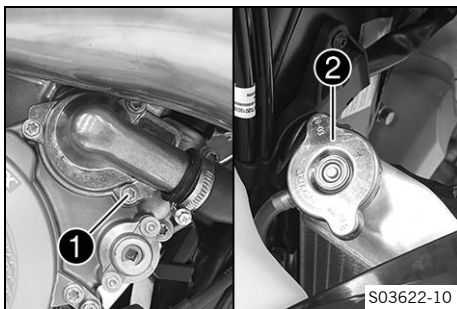
Condition

The engine is cold.

- Position the motorcycle upright.
- Place an appropriate container under the water pump cover.
- Remove screw ❶. Take off radiator cap ❷.
- Completely drain the coolant.
- Mount and tighten screw ❶ with a new seal ring.

Guideline

Screw, water pump cover	M6	10 Nm (7.4 lbf ft)
-------------------------	----	--------------------



16.5 Refilling with coolant



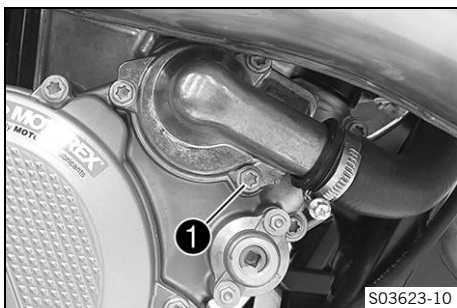
Warning

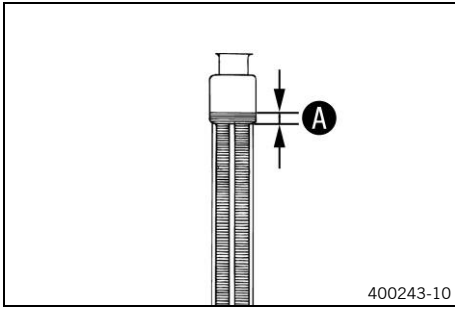
Danger of poisoning Coolant is toxic and a health hazard.

- Keep coolant out of the reach of children.
- Do not allow coolant to come into contact with the skin, the eyes and clothing.
- Consult a doctor immediately if coolant is swallowed.
- Rinse the affected area immediately with plenty of water in the event of contact with the skin.
- Rinse eyes thoroughly with water and consult a doctor immediately if coolant gets into the eyes.
- Change clothing if coolant spills onto your clothing.

Main work

- Make sure that screw ❶ is tightened.
- Position the motorcycle upright.

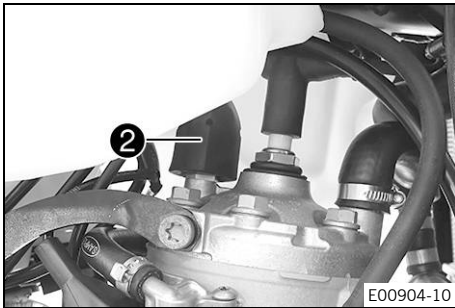




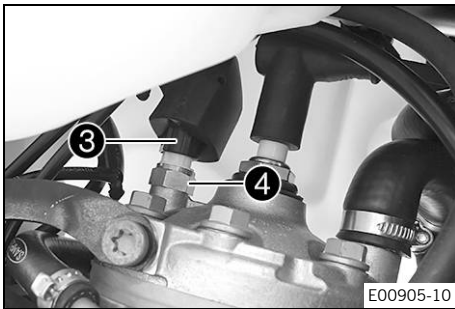
- Pour coolant in up to measurement **A** above the radiator fins.
Guideline

10 mm (0.39 in)

Coolant	1.2 l (1.3 qt.)	Coolant (📖 p. 157)
---------	-----------------	--------------------



- Push protection cap **2** upward over the thermostat.

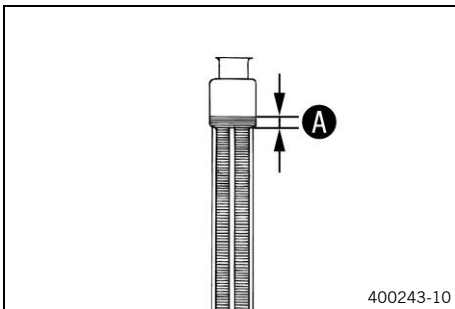


- Unplug connector **3**.
- Remove thermostat **4** with O-ring and wait until the coolant escapes without bubbles.
- Mount thermostat **4** with the O-ring and tighten.

Guideline

Screw, cylinder head temperature sensor	M10x1.25	12 Nm (8.9 lbf ft)
---	----------	--------------------

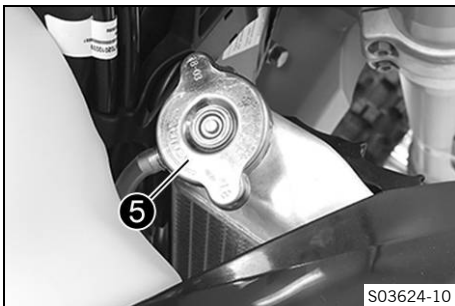
- Plug in connector **3**.
- Position protection cap **2**.



- Pour coolant in up to measurement **A** above the radiator fins.
Guideline

10 mm (0.39 in)

Coolant (📖 p. 157)



- Mount radiator cap **5**.



Danger

Danger of poisoning Exhaust gases are toxic and inhaling them may result in unconsciousness and death.

- Always make sure there is sufficient ventilation when running the engine.
- Use effective exhaust extraction when starting or running the engine in an enclosed space.

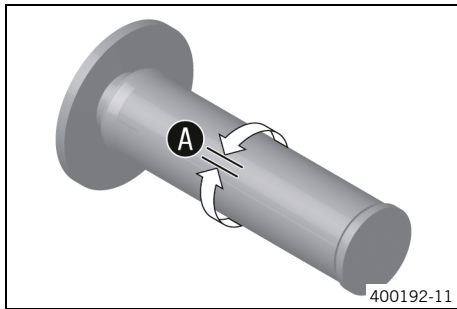
- Allow the engine to warm up and cool down again.

Finishing work

- Check the coolant level. (📖 p. 124)



17.1 Checking the throttle cable play



- Check the throttle grip for smooth operation.
- Turn handlebar as far as possible to the right. Turn the throttle grip back and forth slightly and determine the play in throttle cable **A**.

Throttle cable play	3 ... 5 mm (0.12 ... 0.2 in)
---------------------	------------------------------

- » If the throttle cable play does not meet specifications:
 - Adjust the throttle cable play. 🛠️ (p. 128)



Danger

Danger of poisoning Exhaust gases are toxic and inhaling them may result in unconsciousness and death.

- Always make sure there is sufficient ventilation when running the engine.
- Use effective exhaust extraction when starting or running the engine in an enclosed space.

- Start the engine and let it run at idle speed. Move the handlebar to and fro over the entire steering range.

The idle speed must not change.

- » If the idle speed changes:
 - Adjust the throttle cable play. 🛠️ (p. 128)

17.2 Adjusting the throttle cable play 🛠️



Info

If the correct routing of the throttle cables has already been secured, the fuel tank does not need to be removed.

Preparatory work

- Remove the seat. (p. 72)
- Remove the fuel tank. 🛠️ (p. 77)
- Check throttle cable routing. (p. 86)

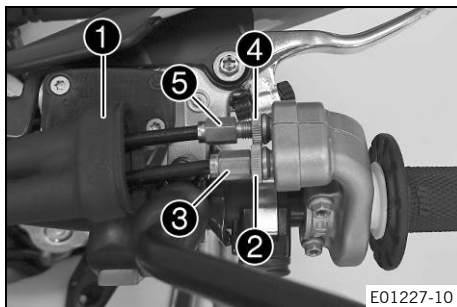
Main work

- Move the handlebar to the straight-ahead position.
- Push back sleeve **1**.
- Loosen nut **2**.
- Turn adjusting screw **3** in as far as possible.
- Loosen nut **4**.
- Turn adjusting screw **5** in as far as possible.
- Turn adjusting screw **3** so that there is play in the throttle cable at the throttle grip.

Guideline

Throttle cable play	3 ... 5 mm (0.12 ... 0.2 in)
---------------------	------------------------------

- Unscrew adjusting screw **5** until the smooth operation or play in the throttle cable is worsened.
- Turn adjusting screw **5** approx. two turns further.



- Tighten nut ④.
- Tighten nut ②.
- Slide on sleeve ①.
- Check the throttle grip for smooth operation.

Finishing work

- Check the throttle cable play. (📖 p. 128)

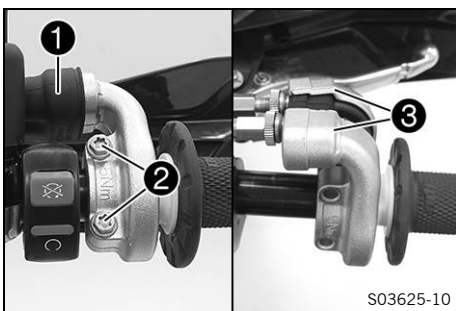


17.3 Setting the characteristic map of the throttle response

i Info

On the throttle grip, the characteristic map of the throttle response is changed by changing the guide plate.

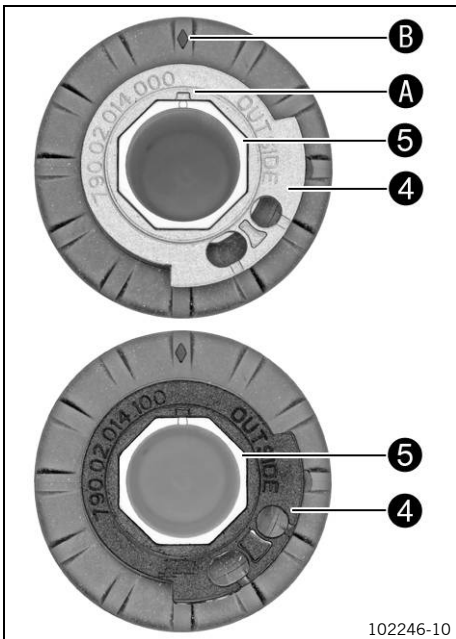
A guide plate with a different characteristic map is supplied.



S03625-10

Main work

- Push back sleeve ①.
- Remove screws ② and half-shells ③.
- Detach the throttle cables and take off the grip tube.



102246-10

- Remove guide plate ④ from handle tube ⑤.
- Position the required guide plate on the grip tube.

Guideline

The label **OUTSIDE** must be visible. Marking **A** must be positioned at marking **B**.

Grey guide plate (79002014000)

Alternative 1

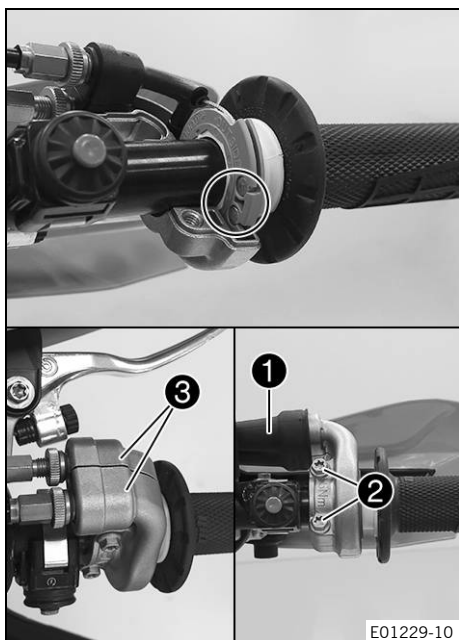
Black guide plate (79002014100)

i Info

The gray guide plate opens the throttle valve more slowly.

The black guide plate opens the throttle valve more quickly.

The gray guide plate is mounted upon delivery.



- Clean the outside of the handlebar and the inside of the grip tube. Mount the grip tube on the handlebar.
- Attach the throttle cables to the guide plate and route correctly.
- Position half-shells ③, mount and tighten screws ②.

Guideline

Screw, throttle grip	M6	5 Nm (3.7 lbf ft)
----------------------	----	-------------------

- Slide on sleeve ① and check the throttle grip for ease of movement.

Finishing work

- Check the throttle cable play. (📖 p. 128)

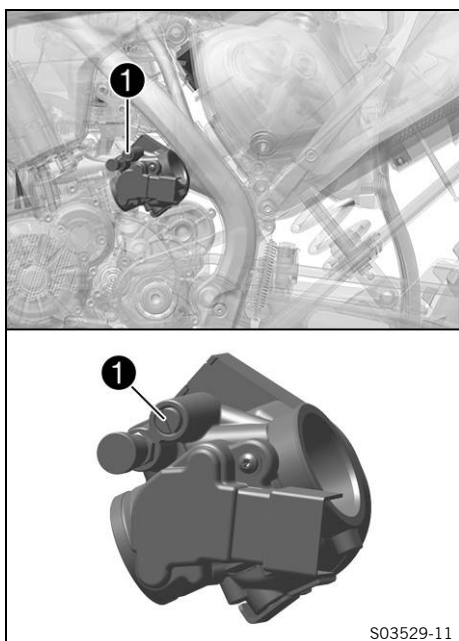
17.4 Adjusting the idle speed 🛠️



Warning

Danger of accidents The engine may go out spontaneously if the idle speed is set too low.

- Set the idle speed to the specified value. (Your authorized KTM workshop will be glad to help.)



- Run the engine until warm.
- ✓ The cold start button is deactivated – A further ¼ turn returns the cold start button back to the basic position. (📖 p. 21)



Danger

Danger of poisoning Exhaust gases are toxic and inhaling them may result in unconsciousness and death.

- Always make sure there is sufficient ventilation when running the engine.
- Use effective exhaust extraction when starting or running the engine in an enclosed space.

- Adjust the idle speed by turning idle speed adjusting screw ①.

Guideline

Idle speed	1,400 ... 1,600 rpm
------------	---------------------

Tachometer (45129075000)



Info

Turn clockwise to decrease the idle speed.
 Turn counterclockwise to increase the idle speed.
 Make the setting in small steps.
 An incorrect idle speed can have a negative impact on overall engine running.



17.5 Programming ambient pressure



Danger

Danger of poisoning Exhaust gases are toxic and inhaling them may result in unconsciousness and death.

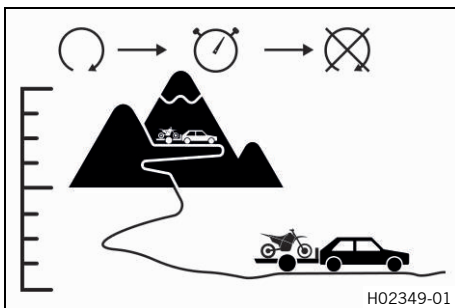
- Always make sure there is sufficient ventilation when running the engine.
- Use effective exhaust extraction when starting or running the engine in an enclosed space.



Info

If the vehicle is ridden with the engine running at various heights above sea level, the ambient pressure is programmed on an ongoing basis.

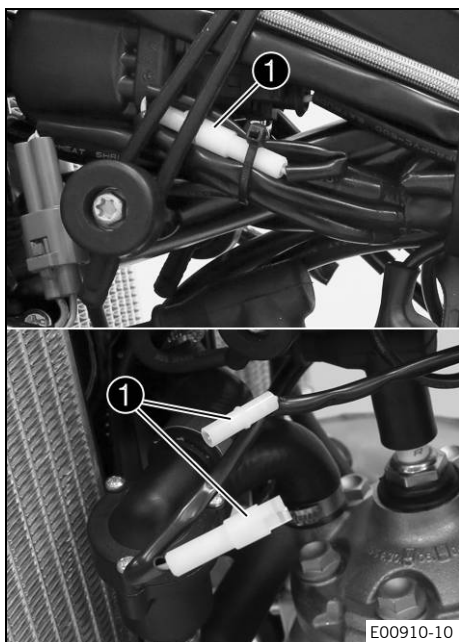
If the vehicle is transported over great differences in height, the ambient pressure must be reprogrammed.



- Start the vehicle at the new height above sea level and switch off the engine again.
- Wait for at least five seconds.
- Start the vehicle again and check the response of the vehicle.
 - » If the response has not improved:
 - Repeat procedure.



17.6 Ignition curve plug-in connector



Plug-in connector ① of the ignition timing map adjustment is located on the frame under the fuel tank.

i Info

The ignition timing map connector has no function in the homologated (restricted) condition of the motorcycle.

Possible states

- Soft – The plug-in connector of the ignition timing map adjustment is disconnected to achieve better rideability.
- Performance – The plug-in connector of the ignition timing map adjustment is joined to achieve higher performance.

17.7 Changing the ignition timing map

i Info

The ignition timing map connector has no function in the homologated (restricted) condition of the motorcycle.

Preparatory work

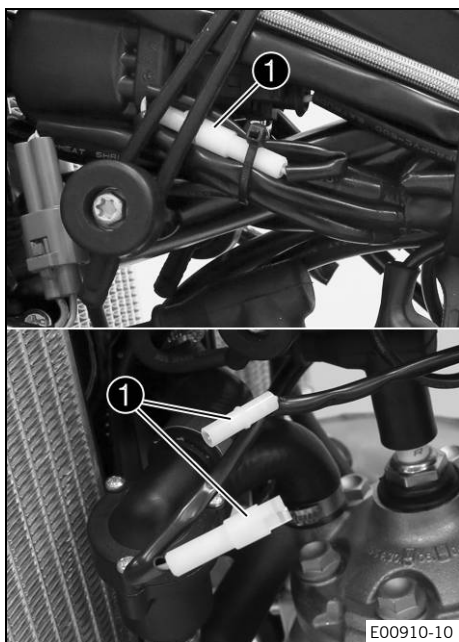
- Remove the seat. (📖 p. 72)
- Remove the fuel tank. 🛠️ (📖 p. 77)

Switching the ignition timing map from Performance to Soft

- Disconnect plug-in connector ① of the ignition timing map adjustment.
 - ✓ Soft – better rideability

Switching the ignition timing map from Soft to Performance

- Join plug-in connector ① of the ignition timing map adjustment.
 - ✓ Performance – better performance



Finishing work

- Install the fuel tank. 🛠️ (📖 p. 79)
- Mount the seat. (📖 p. 72)

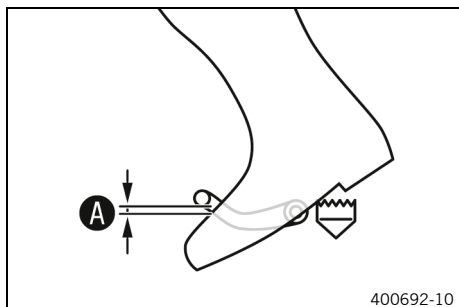


17.8 Checking the basic position of the shift lever



Info

When driving, the shift lever must not touch the rider's boot when in the basic position. When the shift lever keeps touching the boot, the transmission will be subject to an excessive load.



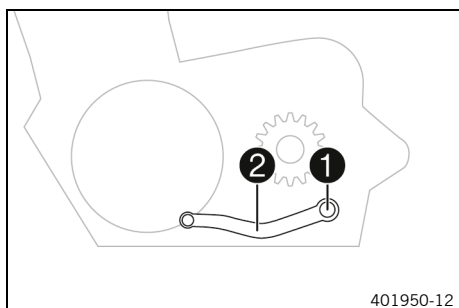
- Sit on the vehicle in the riding position and determine distance **A** between the upper edge of your boot and the shift lever.

Distance between shift lever and upper edge of boot	10 ... 20 mm (0.39 ... 0.79 in)
---	---------------------------------

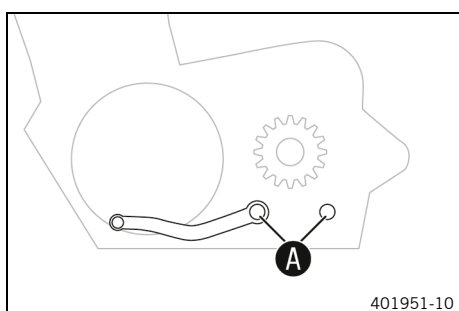
- » If the distance does not meet specifications:
 - Adjust the basic position of the shift lever. 🛠️ (📖 p. 133)



17.9 Adjusting the basic position of the shift lever 🛠️



- Remove screw **1** with the washers and take off shift lever **2**.



- Clean gear teeth **A** of the shift lever and shift shaft.
- Mount the shift lever on the shift shaft in the required position and engage gearing.



Info

The range of adjustment is limited. The shift lever must not come into contact with any other vehicle components during the shift procedure.

- Mount and tighten screw **1** with the washers.

Guideline

Screw, shift lever	M6	14 Nm (10.3 lbf ft) Loctite®243™
--------------------	----	--



18.1 Changing the fuel screen ↩



Danger

Fire hazard Fuel is highly flammable.

The fuel in the fuel tank expands when warm and can escape if overfilled.

- Do not refuel the vehicle in the vicinity of open flames or lit cigarettes.
- Switch off the engine for refueling.
- Make sure that no fuel is spilled; particularly not on hot parts of the vehicle.
- If any fuel is spilled, wipe it off immediately.
- Observe the specifications for refueling.



Warning

Danger of poisoning Fuel is poisonous and a health hazard.

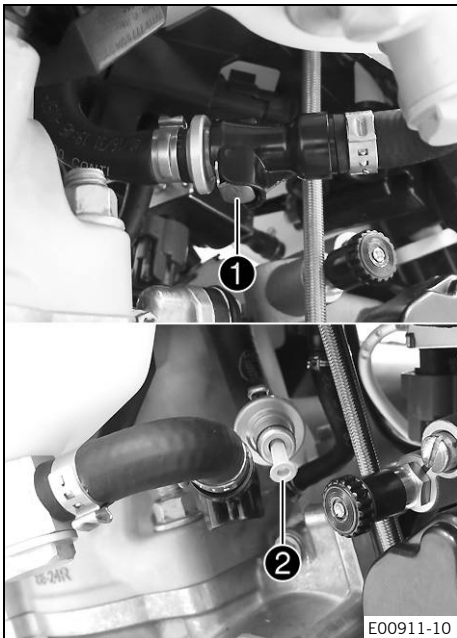
- Avoid skin, eye and clothing contact with fuel.
- Immediately consult a doctor if you swallow fuel.
- Do not inhale fuel vapors.
- In case of skin contact, rinse the affected area with plenty of water.
- Rinse the eyes thoroughly with water, and consult a doctor in case of fuel contact with the eyes.
- Change your clothing in case of fuel spills on them.



Note

Environmental hazard Improper handling of fuel is a danger to the environment.

- Do not allow fuel to enter the groundwater, the soil, or the sewage system.



- Clean plug-in connection ❶ of the fuel line thoroughly with compressed air.



Info

Under no circumstances should dirt enter into the fuel line. Dirt in the fuel line clogs the injection valve!

- Disconnect the plug-in connection of the fuel line.



Info

Remaining fuel may flow out of the fuel hose.

- Pull fuel screen ❷ out of the connecting piece.
- Insert the new fuel screen all the way into the connecting piece.
- Lubricate the O-ring and join the plug-in connection of the fuel line.



Danger

Danger of poisoning Exhaust gases are toxic and inhaling them may result in unconsciousness and death.

- Always make sure there is sufficient ventilation when running the engine.
- Use effective exhaust extraction when starting or running the engine in an enclosed space.

- Start the engine and check the response.

18.2 Checking 2-stroke oil level

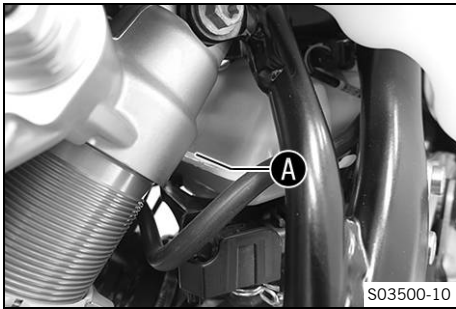


Warning

Engine failure The engine will not be lubricated unless there is 2-stroke oil in the oil tank.

If the oil level warning light lights up, the 2-stroke oil is sufficient for the remaining tank of fuel.

- As soon as the oil level warning light lights up, ride for no longer than until the remaining fuel in the tank is depleted.
- At the next opportunity add 2-stroke oil before you refuel.
- Time the oil pump if the 2-stroke oil hose has been removed or the 2-stroke oil tank has been fully depleted in error.



Preparatory work

- Stand the motorcycle upright on a horizontal surface.

Main work

- Check the 2-stroke oil level in the oil tank.



Info

For a full tank of fuel, the 2-stroke oil tank must be filled up to at least the upper abutting edge **A**.

The 2-stroke oil tank must be completely filled if possible.

- » If the 2-stroke oil level is too low:
 - Add 2-stroke oil. (📖 p. 49)



18.3 Priming oil pump 🛠️



Warning

Engine failure The engine will not be lubricated unless there is 2-stroke oil in the oil tank.

If the oil level warning light lights up, the 2-stroke oil is sufficient for the remaining tank of fuel.

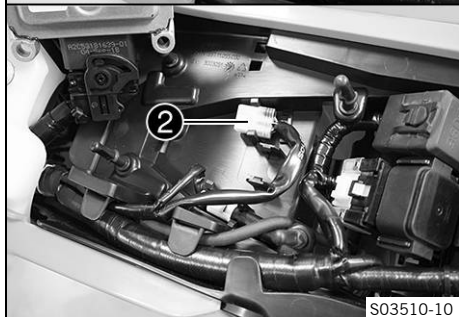
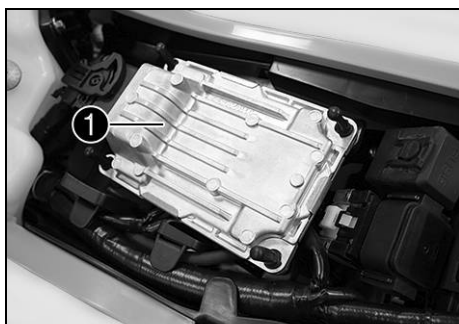
- As soon as the oil level warning light lights up, ride for no longer than until the remaining fuel in the tank is depleted.
- At the next opportunity add 2-stroke oil before you refuel.
- Time the oil pump if the 2-stroke oil hose has been removed or the 2-stroke oil tank has been fully depleted in error.

Condition

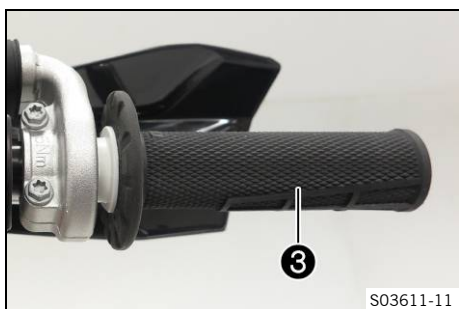
The engine is off.

Preparatory work

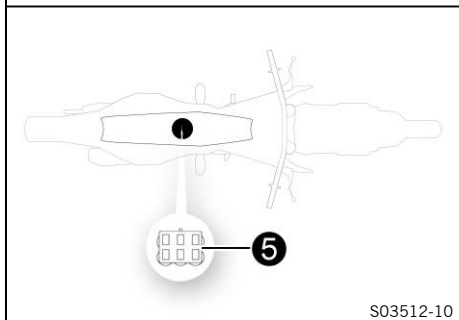
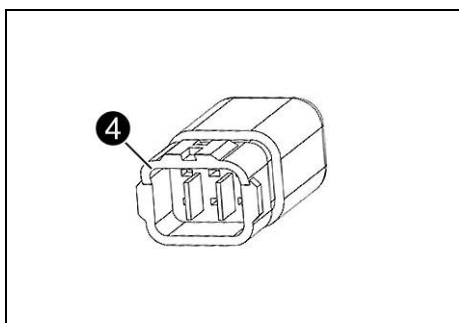
- Remove the seat. (📖 p. 72)
- Stand the motorcycle upright on a horizontal surface.
- Check 2-stroke oil level. (📖 p. 135)



S03510-10



S03611-11



S03512-10

Main work

- Pull the EFI control unit **1** upward off the rubber plugs and hang to the side.
- Remove protection cap **2** of the diagnostics connector.

- Put throttle grip **3** into full throttle position and secure.

- Plug in wake-up connector **4** for priming the oil pump to the diagnostics connector **5**.

✓ The combination instrument lighting is activated.



Info

The connector is included as part of the motorcycle's separate enclosure.

- Wait for at least five seconds.
- Release the fixing means from the throttle grip.

✓ The oil pump is timed.



Info

The oil pump is actuated at various speeds. The procedure is clearly audible.

- Wait until you can no longer hear the oil pump working.
- Disconnect the wake-up connector from the diagnostics connector.



- Check whether air bubbles are visible in the hose ⑥.
 - » If air bubbles are visible:
 - Repeat the entire procedure until air bubbles are no longer visible.
- Mount protection cap on the diagnostics connector.
- Mount the EFI control unit on the rubber lugs.

Finishing work

- Mount the seat. (📖 p. 72)



18.4 Cleaning the oil screen in the oil tank 🛠️



Note

Environmental hazard Hazardous substances cause environmental damage.

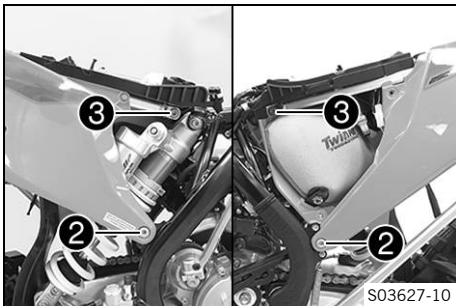
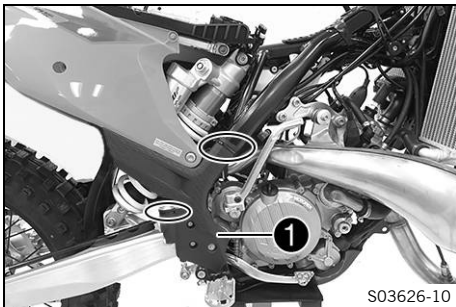
- Dispose of oils, grease, filters, fuel, cleaning agents, brake fluid, etc., correctly and in compliance with the applicable regulations.

Preparatory work

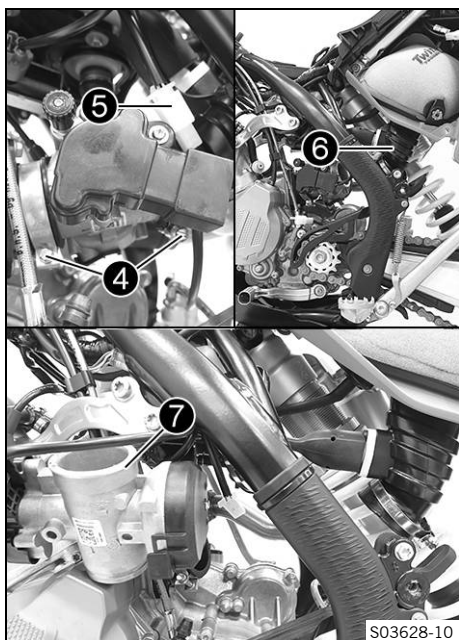
- Raise the motorcycle with a lift stand. (📖 p. 62)
- Remove the main silencer. (📖 p. 76)
- Remove the seat. (📖 p. 72)
- Remove the fuel tank. 🛠️ (📖 p. 77)
- Remove the air filter box cover. (📖 p. 73)

Main work

- Remove screw ① with the washer.
- Remove the cable ties and take off the frame protector.



- Remove screws ②.
- Loosen screws ③.



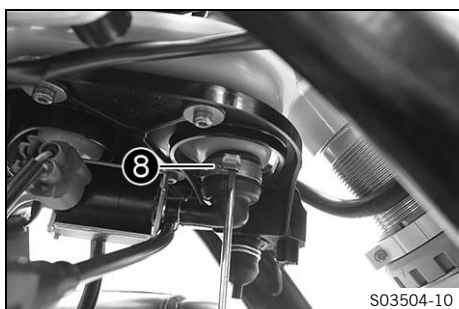
- Loosen clamps **4** of the throttle valve body.
- (150 EXC TPI EU)**
- Disconnect plug-in connector **5** of the rear brake light switch.
 - Lift the subframe slightly and secure it.



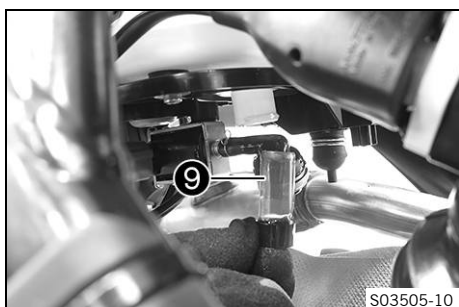
Info

Pay attention to intake flange **6**.

- Pull throttle valve body **7** towards the rear, out of the intake flange, and hang it to the side.



- Open hose clamp **8** using a screwdriver.
- Pull off the angle piece and collect the 2-stroke oil in a suitable container.

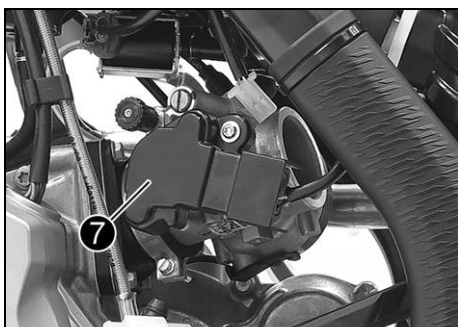


- Remove oil screen **9** and clean it.
- Check the oil screen for damage.
 - » If the oil screen is damaged:
 - Change the oil screen.



- Insert the oil screen and mount the angle piece with a new hose clamp.

Hose clamp plier (60029057000)



- Mount throttle valve body 7.
- Remove the locking piece and position the subframe.



Info

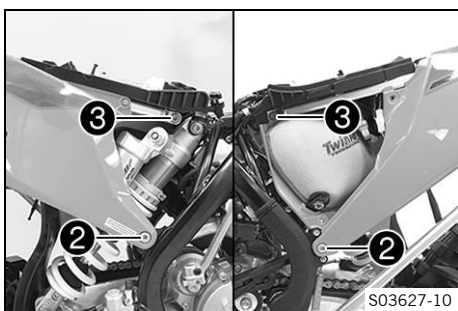
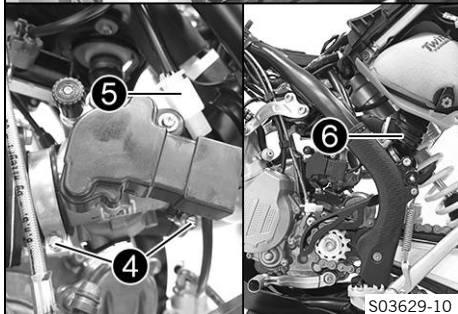
Pay attention to intake flange 6.

(150 EXC TPI EU)

- Join plug-in connector 5 of the rear brake light switch.
- Position and tighten clamps 4 of the throttle valve body.

Guideline

Screw, intake flange/reed valve housing	M6	6 Nm (4.4 lbf ft)
---	----	-------------------



- Mount and tighten screws 2.

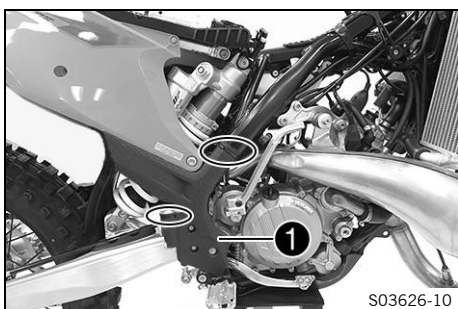
Guideline

Screw, sub-frame bottom	M8	30 Nm (22.1 lbf ft) Loctite®2701™
-------------------------	----	---

- Remove screws 3.
- Mount and tighten screws 3.

Guideline

Screw, sub-frame top	M8	35 Nm (25.8 lbf ft) Loctite®2701™
----------------------	----	---



- Position the frame protector.
- Mount and tighten screw 1 with the washer.

Guideline

Remaining screws, chassis	M5	5 Nm (3.7 lbf ft)
---------------------------	----	-------------------

- Mount the cable ties.

Finishing work

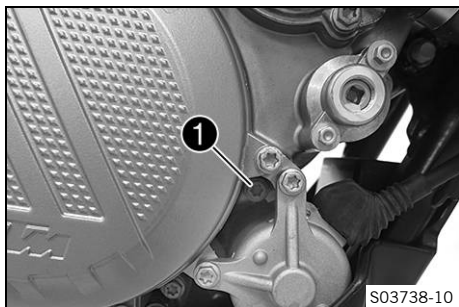
- Install the air filter box cover. (📖 p. 73)
- Install the fuel tank. 🛠️ (📖 p. 79)
- Add 2-stroke oil. (📖 p. 49)
- Prime the oil pump. 🛠️ (📖 p. 135)
- Mount the seat. (📖 p. 72)
- Install the main silencer. (📖 p. 76)
- Remove the motorcycle from the lift stand. (📖 p. 62)



18.5 Checking the gear oil level

i Info

The gear oil level must be checked when the engine is cold.



Preparatory work

- Stand the motorcycle upright on a horizontal surface.

Main work

- Remove gear oil level monitoring screw ①.
- Check the gear oil level.

A small quantity of gear oil must run out of the drilled hole.

- » If no gear oil runs out:
 - Add the gear oil. 📖 (p. 141)

- Mount and tighten gear oil level monitoring screw ①.

Guideline

Screw, gear oil level monitoring	M6	8 Nm (5.9 lbf ft)
----------------------------------	----	-------------------

18.6 Changing the gear oil 🛠️



Warning

Danger of scalding Engine and gear oil get very hot when the motorcycle is ridden.

- Wear suitable protective clothing and safety gloves.
- In the event of scalding, rinse the area affected immediately with lukewarm water.



Note

Environmental hazard Hazardous substances cause environmental damage.

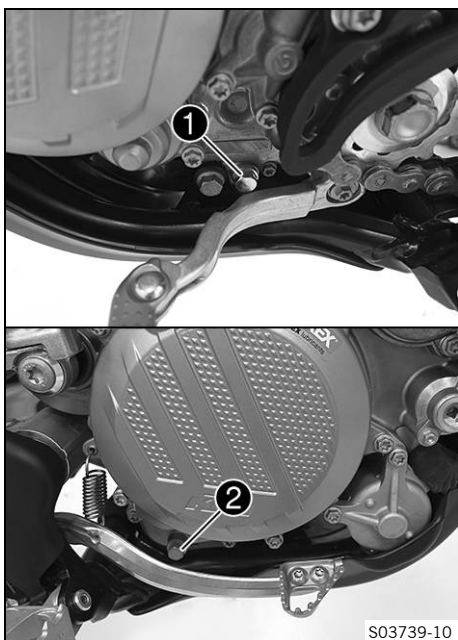
- Dispose of oils, grease, filters, fuel, cleaning agents, brake fluid, etc., correctly and in compliance with the applicable regulations.

i Info

Drain the gear oil while the engine is at operating temperature.

Preparatory work

- Remove engine guard. (📖 p. 90)
- Park the motorcycle on a level surface.
- Place an appropriate container under the engine.



Main work

- Remove gear oil drain plug ① with magnet.
- Remove gear oil drain plug ②.
- Let the gear oil drain fully.
- Thoroughly clean the gear oil drain plug with magnet.
- Clean the sealing surface on the engine.
- Mount and tighten gear oil drain plug ① with the magnet and a new seal ring.

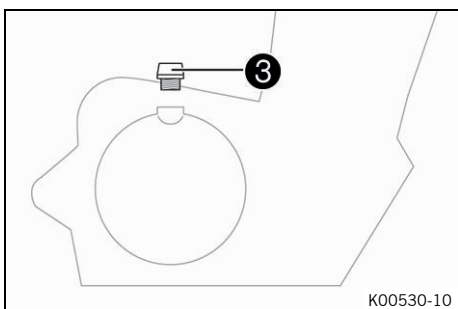
Guideline

Gear oil drain plug with magnet	M12x1.5	20 Nm (14.8 lbf ft)
---------------------------------	---------	---------------------

- Mount and tighten gear oil drain plug ② with a new seal ring.

Guideline

Gear oil drain plug	M10x1	15 Nm (11.1 lbf ft)
---------------------	-------	---------------------



- Remove filler plug ③ with the O-ring, and fill up with gear oil.

Gear oil	0.80 l (0.85 qt.)	Engine oil (15W/50) (📖 p. 157)
----------	----------------------	--------------------------------------

- Mount and tighten the filler plug together with the O-ring.



Danger

Danger of poisoning Exhaust gases are toxic and inhaling them may result in unconsciousness and death.

- Always make sure there is sufficient ventilation when running the engine.
- Use effective exhaust extraction when starting or running the engine in an enclosed space.

- Start the engine and check for tightness.

Finishing work

- Check the gear oil level. (📖 p. 140)
- Install the engine guard. (📖 p. 90)

18.7 Adding the gear oil 🛠️

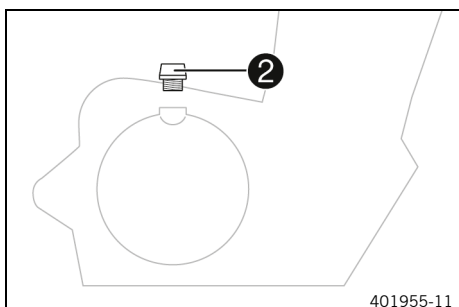
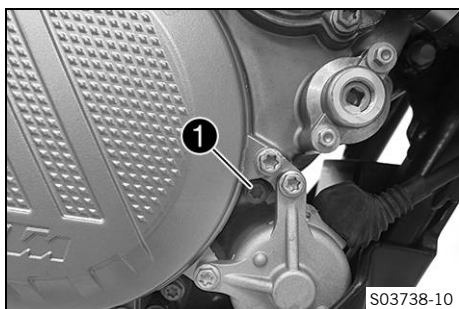


Info

Too little gear oil or poor-quality gear oil results in premature wear to the transmission. Gear oil must only be topped up when the engine is cold.

Preparatory work

- Park the motorcycle on a level surface.



Main work

- Remove gear oil level monitoring screw ①.

- Remove filler plug ② with the O-ring.
- Add gear oil until it emerges from the drill hole of the gear oil level monitoring screw.

Engine oil (15W/50) (📖 p. 157)

- Mount and tighten the gear oil level monitoring screw.

Guideline

Screw, gear oil level monitoring	M6	8 Nm (5.9 lbf ft)
----------------------------------	----	-------------------

- Mount and tighten filler plug ② with the O-ring.



Danger

Danger of poisoning Exhaust gases are toxic and inhaling them may result in unconsciousness and death.

- Always make sure there is sufficient ventilation when running the engine.
- Use effective exhaust extraction when starting or running the engine in an enclosed space.

- Start the engine and check for tightness.

Finishing work

- Check the gear oil level. (📖 p. 140)

19.1 Cleaning the motorcycle

Note

Material damage Components become damaged or destroyed if a pressure cleaner is used incorrectly. The high pressure forces water into the electrical components, connectors, throttle cables, and bearings, etc. Pressure which is too high causes malfunctions and destroys components.

- Do not direct the water jet directly on to electrical components, connectors, throttle cables or bearings.
- Maintain a minimum distance between the nozzle of the pressure cleaner and the component.

Minimum clearance 60 cm (23.6 in)



Note

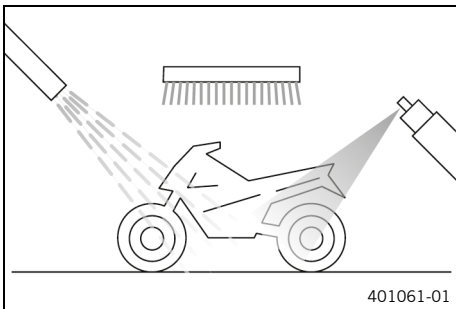
Environmental hazard Hazardous substances cause environmental damage.

- Dispose of oils, grease, filters, fuel, cleaning agents, brake fluid, etc., correctly and in compliance with the applicable regulations.



Info

To maintain the value and appearance of the motorcycle over a long period, clean it regularly. Avoid direct sunshine when cleaning the motorcycle.



- Close off the exhaust system to keep water from entering.
- Remove the coarse dirt particles with a gentle water jet.
- Spray heavily soiled parts with a normal commercial motorcycle cleaner and then brush off with a soft brush.

Motorcycle cleaner (📖 p. 159)



Info

Use warm water containing normal motorcycle cleaner and a soft sponge. Never apply motorcycle cleaner to a dry vehicle; always rinse the vehicle with water first.

- After rinsing the motorcycle with a gentle spray of water, allow it to dry thoroughly.
- Remove the closure of the exhaust system.



Warning

Danger of accidents Moisture and dirt impair the brake system.

- Brake carefully several times to dry out and remove dirt from the brake linings and the brake discs.

- After cleaning, ride the vehicle a short distance until the engine warms up.



Info

The heat produced causes water at inaccessible locations in the engine and on the brake system to evaporate.

- After the motorcycle has cooled down, lubricate all moving parts and pivot points.
- Clean the chain. (📖 p. 81)

- Treat bare metal (except for brake discs and the exhaust system) with a corrosion inhibitor.

Preserving materials for paints, metal and rubber (📖 p. 159)

- Treat all plastic parts and powder-coated parts with a mild cleaning and care product.

Special cleaner for glossy and matte paint finishes, metal and plastic surfaces (📖 p. 160)

(150 EXC TPI EU)

- Oil the steering lock.

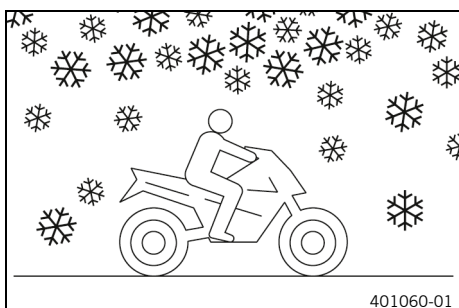
Universal oil spray (📖 p. 160)

19.2 Checks and maintenance steps for winter operation

i Info

If you use the motorcycle in winter, salt can be expected on the roads. You should therefore take precautions against aggressive road salt.

If the vehicle has been used on salted roads, use cold water for cleaning after riding. Warm water enhances the corrosive effects of salt.



- Clean motorcycle. (📖 p. 143)
- Clean the brakes.

i Info

After **EVERY** trip on salted roads, thoroughly clean the brake calipers and brake linings, after they have cooled down and without removing them, with cold water and dry them carefully.

After riding on salted roads, thoroughly clean the vehicle with cold water and dry it well.

- Treat engine, link fork, and all other bare or zinc-plated parts (except the brake discs) with a wax-based corrosion inhibitor.

i Info

Corrosion inhibitor must not come in contact with the brake discs as this would greatly reduce the braking force.

- Clean the chain. (📖 p. 81)

20.1 Storage

**Warning**

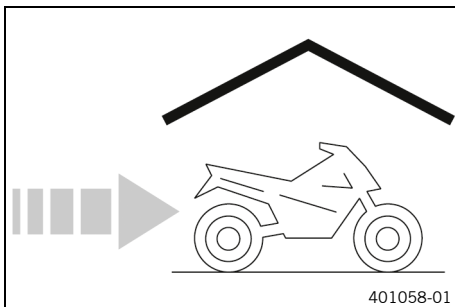
Danger of poisoning Fuel is poisonous and a health hazard.

- Avoid skin, eye and clothing contact with fuel.
- Immediately consult a doctor if you swallow fuel.
- Do not inhale fuel vapors.
- In case of skin contact, rinse the affected area with plenty of water.
- Rinse the eyes thoroughly with water, and consult a doctor in case of fuel contact with the eyes.
- Change your clothing in case of fuel spills on them.
- Keep fuels correctly in a suitable canister, and out of the reach of children.

**Info**

If you plan to garage the motorcycle for a longer period, perform the following steps or have them performed.

Before storing the motorcycle, check all parts for function and wear. If service, repairs, or replacements are necessary, you should do this during the storage period (less workshop overload). In this way, you can avoid long workshop waiting times at the start of the new season.



- Clean motorcycle. (📖 p. 143)
- Change the gear oil. 🛠️ (📖 p. 140)
- Check the antifreeze and coolant level. (📖 p. 123)
- When refueling for the last time before taking the motorcycle out of service, add fuel additive.

Fuel additive (📖 p. 159)

- Refuel. (📖 p. 48)
- Add 2-stroke oil. (📖 p. 49)
- Check tire pressure. (📖 p. 107)
- Remove the 12-V battery. 🛠️ (📖 p. 109)
- Charge the 12-V battery. 🛠️ (📖 p. 112)

Guideline

Ideal charging and storage temperature of the lithium-ion battery	10 ... 20 °C (50 ... 68 °F)
---	-----------------------------

- Store the vehicle in a dry location that is not subject to large fluctuations in temperature.

**Info**

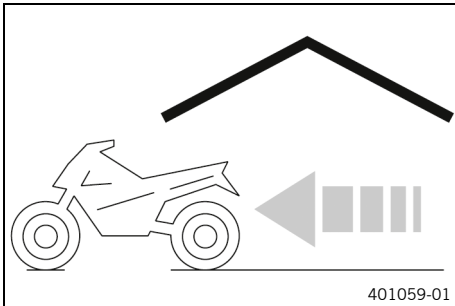
KTM recommends jacking up the motorcycle.

- Raise the motorcycle with a lift stand. (📖 p. 62)
- Cover the vehicle with a tarp or similar cover that is permeable to air.

i Info

Do not use non-porous materials since they prevent humidity from escaping, thus causing corrosion. Avoid running the engine for a short time only. Because the engine will not warm up sufficiently, the water vapor produced during combustion will condense, causing engine parts and the exhaust system to rust.

20.2 Preparing for use after storage



- Remove the motorcycle from the lift stand. (📖 p. 62)
- Install the 12-V battery. 🛠️ (📖 p. 111)
- Perform checks and maintenance measures when preparing for use. (📖 p. 44)
- Make a test ride.

Faults	Possible cause	Action
The engine cannot be cranked (starter motor)	Operating error	– Carry out start procedure. (📖 p. 44)
	12-V battery discharged	– Charge the 12-V battery. 🛠️ (📖 p. 112) – Check the charging voltage. 🛠️ – Check the closed current. 🛠️ – Check the stator winding of the alternator. 🛠️
	Main fuse is blown	– Change the main fuse. (📖 p. 114)
	Starter relay faulty	– Check the starter relay. 🛠️
	Starter motor faulty	– Check the starter motor. 🛠️
The engine turns but does not start	Operating error	– Carry out start procedure. (📖 p. 44)
	The plug-in connection of the fuel line is not joined	– Join the plug-in connection of the fuel line.
	Idle speed is not set correctly	– Adjust the idle speed. 🛠️ (📖 p. 130)
	Fuel supply interrupted	– Check the fuel tank breather.
	Spark plug oily or wet	– Clean and dry the spark plug, or change it if necessary.
	Plug gap of spark plug too wide	– Adjust plug gap. Guideline Spark plug electrode gap 1.20 mm (0.0472 in)
	Faulty ignition	– Ignition coil - check the primary winding. 🛠️ – Check the spark plug connector. 🛠️ – Check the stator winding of the alternator. 🛠️
	Short-circuit cable in wiring harness frayed, switch-off button or emergency OFF switch faulty	– Check wiring harness (visual check). – Check the electrical system.
	The connector or ignition coil is loose or oxidized	– Clean the connector and treat it with contact spray.
Error in the electronic fuel injection	– Check wiring for damage and electrical plug-in connectors for corrosion and damage. – Read out the fault memory using the KTM diagnostics tool. 🛠️	
Engine has no idle	Spark plug defective	– Change the spark plug.
	Faulty ignition	– Ignition coil - check the primary winding. 🛠️ – Check the spark plug connector. 🛠️ – Check the stator winding of the alternator. 🛠️
	Idle speed is not set correctly	– Adjust the idle speed. 🛠️ (📖 p. 130)
Engine does not speed up	Error in the electronic fuel injection	– Check wiring for damage and electrical plug-in connectors for corrosion and damage. – Read out the fault memory using the KTM diagnostics tool. 🛠️

Faults	Possible cause	Action
Engine does not speed up	Faulty ignition	<ul style="list-style-type: none"> – Ignition coil - check the primary winding. 🛠️ – Check the spark plug connector. 🛠️ – Check the stator winding of the alternator. 🛠️
	Ambient pressure is incorrectly stored	– Program ambient pressure. (📖 p. 131)
Engine has too little power	Air filter very dirty	– Clean the air filter and air filter box. 🛠️ (📖 p. 75)
	Fuel filter is very dirty	– Change the fuel filter. 🛠️
	Fuel screen is very dirty	– Change the fuel screen. 🛠️ (📖 p. 134)
	Error in the electronic fuel injection	<ul style="list-style-type: none"> – Check wiring for damage and electrical plug-in connectors for corrosion and damage. – Read out the fault memory using the KTM diagnostics tool. 🛠️
	Fuel supply interrupted	– Check the fuel tank breather.
	Exhaust system leaky, deformed or too little glass fiber yarn filling in main silencer	<ul style="list-style-type: none"> – Check exhaust system for damage. – Change the glass fiber yarn filling in the main silencer. 🛠️ (📖 p. 76)
	Faulty ignition	<ul style="list-style-type: none"> – Ignition coil - check the primary winding. 🛠️ – Check the spark plug connector. 🛠️ – Check the stator winding of the alternator. 🛠️
	Diaphragm or reed valve housing damaged	– Check the diaphragm and reed valve housing.
The engine dies during the trip	Ambient pressure is incorrectly stored	– Program ambient pressure. (📖 p. 131)
	Lack of fuel	– Refuel. (📖 p. 48)
	The engine takes in false air	– Check that the intake flange is firmly seated.
	The connector or ignition coil is loose or oxidized	– Clean the connector and treat it with contact spray.
Engine overheats	Too little coolant in cooling system	<ul style="list-style-type: none"> – Check the cooling system for leakage. – Check the coolant level. (📖 p. 124)
	Too little air stream	– Switch off engine when stationary.
	Radiator fins very dirty	– Clean the radiator fins.
	Foam formation in cooling system	<ul style="list-style-type: none"> – Drain the coolant. 🛠️ (📖 p. 124) – Refill with coolant. 🛠️ (📖 p. 125)
	Damaged cylinder head or cylinder head gasket	– Check the cylinder head and cylinder head gasket.
	Bent radiator hose	– Change the radiator hose. 🛠️

Faults	Possible cause	Action
Engine overheats	Thermostat defective	<ul style="list-style-type: none"> – Check the thermostat. 🛠️ <p>Guideline Opening temperature: 70 °C (158 °F)</p>
White smoke emission (steam in exhaust gas)	Damaged cylinder head or cylinder head gasket	<ul style="list-style-type: none"> – Check the cylinder head and cylinder head gasket.
Gear oil exits at the vent hose	Too much gear oil added	<ul style="list-style-type: none"> – Check the gear oil level. (📖 p. 140)
Water in the gear oil	Damaged shaft seal ring or water pump	<ul style="list-style-type: none"> – Check the shaft seal ring and water pump.
Malfunction indicator lamp lights up or flashes	Error in the electronic fuel injection	<ul style="list-style-type: none"> – Check wiring for damage and electrical plug-in connectors for corrosion and damage. – Read out the fault memory using the KTM diagnostics tool. 🛠️
12-V battery discharged	The 12-V battery is not being charged by the alternator	<ul style="list-style-type: none"> – Check charging voltage. 🛠️ – Check the stator winding of the alternator. 🛠️
	Unwanted power consumer	<ul style="list-style-type: none"> – Check the open-circuit current. 🛠️
Values in combination instrument deleted (time, stop watch, lap times)	The combination instrument battery is empty	<ul style="list-style-type: none"> – Change combination instrument battery. (📖 p. 121)

22.1 Engine

Design	1-cylinder 2-stroke engine, water-cooled, with reed intake and exhaust control
Displacement	144 cm ³ (8.79 cu in)
Stroke	54.5 mm (2.146 in)
Bore	58 mm (2.28 in)
Idle speed	1,400 ... 1,500 rpm
Exhaust valve - Beginning of adjustment	6,300 rpm
Crankshaft bearing	1 grooved ball bearing/1 roller bearing
Conrod bearing	Needle bearing
Piston pin bearing	Needle bearing
Pistons	Forged aluminum
Piston rings	1 rectangular ring, 1 half keystone ring
Engine lubrication	Separate lubrication
X (upper edge of piston to upper edge of cylinder)	0 ... 0.10 mm (0 ... 0.0039 in)
Z (height of control flap)	37.5 mm (1.476 in)
Primary transmission	23:73
Clutch	Multidisc clutch in oil bath/hydraulically activated
Gearbox	6-gear transmission, claw shifted
Transmission ratio	
first-gear	12:33
second-gear	15:31
third-gear	17:28
fourth-gear	19:26
fifth-gear	21:25
sixth-gear	20:20
Alternator	12 V, 168 W
Ignition	Contactless controlled fully electronic ignition with digital ignition adjustment, type Kokusan
Spark plug	NGK T40199D-G12
Spark plug electrode gap	1.20 mm (0.0472 in)
Cooling	Water cooling, permanent circulation of coolant by water pump
Starting aid	Electric starter system and kick starter system

22.2 Engine tightening torques

Screw, inner membrane sheets	EJOTDELTA PT® 35x25	1 Nm (0.7 lbf ft)
Screw, membrane support plate	EJOTDELTA PT® 30x12	1 Nm (0.7 lbf ft)
Screw, outer membrane sheets	EJOTDELTA PT® 30x6	1 Nm (0.7 lbf ft)
Screw, clutch spring retainer	M5	6 Nm (4.4 lbf ft)
Screw, crankshaft speed sensor	M5	6 Nm (4.4 lbf ft)
		Loctite®243™
Screw, exhaust control cover	M5	4 Nm (3 lbf ft)
Screw, locking lever	M5	6 Nm (4.4 lbf ft)
		Loctite®243™

Screw, retaining bracket, rotary valve	M5	6 Nm (4.4 lbf ft)	Loctite®243™
Screw, water pump wheel	M5	6 Nm (4.4 lbf ft)	Loctite®243™
Bleeder screw, cylinder head	M6	8 Nm (5.9 lbf ft)	
Drain plug, water pump cover	M6	10 Nm (7.4 lbf ft)	
Nut, adjusting screw, power valve	M6	8 Nm (5.9 lbf ft)	
Screw, alternator cover	M6	8 Nm (5.9 lbf ft)	
Screw, bearing retainer	M6	10 Nm (7.4 lbf ft)	Loctite®243™
Screw, clutch slave cylinder	M6	10 Nm (7.4 lbf ft)	
Screw, control lever, exhaust control	M6	10 Nm (7.4 lbf ft)	Loctite®243™
Screw, control lever, exhaust control	M6	10 Nm (7.4 lbf ft)	Loctite®243™
Screw, engine case	M6	10 Nm (7.4 lbf ft)	
Screw, exhaust flange	M6	10 Nm (7.4 lbf ft)	
Screw, gear oil level monitoring	M6	8 Nm (5.9 lbf ft)	
Screw, intake flange/reed valve housing	M6	6 Nm (4.4 lbf ft)	
Screw, intermediate clutch cover	M6x20	10 Nm (7.4 lbf ft)	
Screw, intermediate clutch cover	M6x25	10 Nm (7.4 lbf ft)	
Screw, intermediate clutch cover	M6x30	10 Nm (7.4 lbf ft)	
Screw, kick starter stop plate	M6	10 Nm (7.4 lbf ft)	Loctite®243™
Screw, outer clutch cover	M6x20	8 Nm (5.9 lbf ft)	
Screw, outer clutch cover	M6x50	8 Nm (5.9 lbf ft)	
Screw, shift drum locating	M6	10 Nm (7.4 lbf ft)	Loctite®243™
Screw, shift lever	M6	14 Nm (10.3 lbf ft)	Loctite®243™
Screw, starter motor	M6	8 Nm (5.9 lbf ft)	
Screw, starter motor guard	M6	8 Nm (5.9 lbf ft)	
Screw, stator	M6	8 Nm (5.9 lbf ft)	Loctite®243™
Screw, stop plate of exhaust control	M6	8 Nm (5.9 lbf ft)	Loctite®243™
Screw, water pump cover	M6	10 Nm (7.4 lbf ft)	
Screw, cylinder head	M7	18 Nm (13.3 lbf ft)	
Nut, cylinder base	M8	23 Nm (17 lbf ft)	
Screw, cylinder base	M8	10 Nm (7.4 lbf ft)	
Screw, kick starter lever	M8	25 Nm (18.4 lbf ft)	Loctite®243™
Gear oil drain plug	M10x1	15 Nm (11.1 lbf ft)	
Nut, rotor	M12x1	50 Nm (36.9 lbf ft)	
Gear oil drain plug with magnet	M12x1.5	20 Nm (14.8 lbf ft)	
Spark plug	M14x1.25	25 Nm (18.4 lbf ft)	

Nut, primary gear wheel	M16LHx1.5	130 Nm (95.9 lbf ft) Loctite®243™
Nut, inner clutch hub	M18x1.5	100 Nm (73.8 lbf ft) Loctite®243™

22.3 Capacities

22.3.1 Gear oil

Gear oil	0.80 l (0.85 qt.)	Engine oil (15W/50) (📖 p. 157)
----------	-------------------	--------------------------------

22.3.2 Coolant

Coolant	1.2 l (1.3 qt.)	Coolant (📖 p. 157)
---------	-----------------	--------------------

22.3.3 Fuel

Total fuel tank capacity, approx.	8.5 l (2.25 US gal)	Super unleaded (ROZ 95/RON 95/PON 91) (📖 p. 158)
-----------------------------------	---------------------	--

Fuel reserve, approx.	1.5 l (1.6 qt.)	
-----------------------	-----------------	--

2-stroke oil tank content approx.	0.6 l (0.6 qt.)	Engine oil, 2-stroke (📖 p. 157)
-----------------------------------	-----------------	---------------------------------

22.4 Chassis

Frame	Central tube frame made of chrome molybdenum steel tubing	
Fork	WP XPLOR 5348	
Suspension travel		
front	300 mm (11.81 in)	
Suspension travel		
rear	310 mm (12.2 in)	
Fork offset	22 mm (0.87 in)	
Shock absorber	WP XPLOR 5746	
Brake system	Disc brakes, floating brake calipers	
Brake discs - diameter		
front	260 mm (10.24 in)	
rear	220 mm (8.66 in)	
Brake discs - wear limit		
front	2.5 mm (0.098 in)	
rear	3.5 mm (0.138 in)	
Street tire pressure (150 EXC TPI EU)		
front	1.5 bar (22 psi)	
rear	1.8 bar (26 psi)	
Offroad tire pressure		
front	1.0 bar (15 psi)	
rear	1.0 bar (15 psi)	
Secondary ratio (150 EXC TPI EU)	13:48 (13:50)	
Secondary ratio (150 XC-W TPI US)	13:50	

Chain	5/8 x 1/4"
Rear sprockets available	38, 40, 42, 45, 48, 49, 50, 51, 52
Steering head angle	63.5°
Wheelbase	1,482 ± 10 mm (58.35 ± 0.39 in)
Seat height unloaded	960 mm (37.8 in)
Ground clearance unloaded	370 mm (14.57 in)
Weight without fuel, approx.	96.8 kg (213.4 lb.)
Maximum permissible front axle load	145 kg (320 lb.)
Maximum permissible rear axle load	190 kg (419 lb.)
Maximum permissible overall weight	335 kg (739 lb.)

22.5 Electrical system

12-V battery	HJTZ5S-FP	Lithium-ion battery Battery voltage: 12 V Nominal capacity: 2.0 Ah Maintenance-free
Combination instrument battery	CR 2430	Battery voltage: 3 V
Fuse	75011088005	5 A
Fuse	75011088010	10 A
Fuse	58011109120	20 A
Headlight	HS1/socket BX43t	12 V 35/35 W
Position light	W5W / socket W2.1x9.5d	12 V 5 W
Indicator lamps	W2.3W / socket W2x4.6d	12 V 2.3 W
Turn signal (150 EXC TPI EU)	R10W / socket BA15s	12 V 10 W
Brake/tail light	LED	
License plate lamp (150 EXC TPI EU)	LED	

22.6 Tires

Validity	Front tire	Rear tire
(150 EXC TPI EU)	80/100 - 21 M/C 51M TT Maxxis Maxx EnduPro	140/80 - 18 M/C 70R M+S TT Maxxis Maxx EnduPro
(150 XC-W TPI US)	90/90 - 21 54M TT Dunlop GEOMAX AT 81 F	110/100 - 18 64M TT Dunlop GEOMAX AT 81
The tires specified represent one of the possible series production tires. Additional information is available in the Service section under: http://www.ktm.com		

22.7 Fork

Fork article number	14.18.8T.61
Fork	WP XPLOR 5348
Compression damping	
Comfort	18 clicks
Standard	15 clicks
Sport	12 clicks
Rebound damping	
Comfort	18 clicks
Standard	15 clicks
Sport	12 clicks
Spring length with preload spacer(s)	474 mm (18.66 in)
Spring rate	
Weight of rider: 65 ... 75 kg (143 ... 165 lb.)	3.6 N/mm (20.6 lb/in)
Weight of rider: 75 ... 85 kg (165 ... 187 lb.)	3.8 N/mm (21.7 lb/in)
Weight of rider: 85 ... 95 kg (187 ... 209 lb.)	4.0 N/mm (22.8 lb/in)
Fork length	928 mm (36.54 in)

22.8 Shock absorber

Shock absorber article number	12.18.7T.61
Shock absorber	WP XPLOR 5746
Low-speed compression damping	
Comfort	18 clicks
Standard	15 clicks
Sport	12 clicks
High-speed compression damping	
Comfort	2.5 turns
Standard	2 turns
Sport	1 turn
Rebound damping	
Comfort	18 clicks
Standard	15 clicks
Sport	12 clicks
Spring preload	10 mm (0.39 in)
Spring rate	
Weight of rider: 65 ... 75 kg (143 ... 165 lb.)	54 ... 60 N/mm (308 ... 343 lb/in)
Weight of rider: 75 ... 85 kg (165 ... 187 lb.)	57 ... 63 N/mm (325 ... 360 lb/in)
Weight of rider: 85 ... 95 kg (187 ... 209 lb.)	60 ... 66 N/mm (343 ... 377 lb/in)
Spring length	225 mm (8.86 in)
Gas pressure	10 bar (145 psi)
Static sag	37 mm (1.46 in)
Riding sag	110 mm (4.33 in)
Fitted length	415 mm (16.34 in)
Shock absorber fluid (📖 p. 158)	SAE 2.5

22.9 Chassis tightening torques

Remaining screws, chassis	EJOT PT® K60x25-Z	2 Nm (1.5 lbf ft)
Screw, intake air temperature sensor	EJOTDELTA PT® 45x12-Z	0.7 Nm (0.52 lbf ft)
Screw, oil fill level sensor	G 3/4 "	7 Nm (5.2 lbf ft)
Screw, oil pump holder on oil tank	EJOTDELTA PT 45x12-Z	0.7 Nm (0.52 lbf ft)
Screw, pressure regulator	EJOT PT® K60x25-Z	2.3 Nm (1.7 lbf ft)
Screw, seat fixing	EJOTEJOFORM PT® K60x23/18	2.5 Nm (1.84 lbf ft)
Screw, emergency OFF switch (150 EXC TPI EU)	M4	0.4 Nm (0.3 lbf ft)
Screw, fixed grip	M4	5 Nm (3.7 lbf ft) Loctite®243™
Spoke nipple, front wheel	M4.5	5 Nm (3.7 lbf ft)
Spoke nipple, rear wheel	M4.5	5 Nm (3.7 lbf ft)
Remaining nuts, chassis	M5	5 Nm (3.7 lbf ft)
Remaining screws, chassis	M5	5 Nm (3.7 lbf ft)
Screw, battery terminal	M5	2.5 Nm (1.84 lbf ft)
Screw, ground wire in tail section	M5	5 Nm (3.7 lbf ft)
Screw, light switch (150 EXC TPI EU)	M5	1 Nm (0.7 lbf ft)
Screw, shock absorber adjusting ring	M5	5 Nm (3.7 lbf ft)
Screw, turn signal switch (150 EXC TPI EU)	M5	1 Nm (0.7 lbf ft)
Nut, cable on starter motor	M6	4 Nm (3 lbf ft)
Remaining nuts, chassis	M6	10 Nm (7.4 lbf ft)
Remaining screws, chassis	M6	10 Nm (7.4 lbf ft)
Screw, ball joint of push rod on foot brake cylinder	M6	10 Nm (7.4 lbf ft) Loctite®243™
Screw, chain sliding guard	M6	6 Nm (4.4 lbf ft) Loctite®243™
Screw, front brake disc	M6	14 Nm (10.3 lbf ft) Loctite®243™
Screw, manifold on silent block	M6	6 Nm (4.4 lbf ft)
Screw, rear brake disc	M6	14 Nm (10.3 lbf ft) Loctite®243™
Screw, silent block on frame	M6	6 Nm (4.4 lbf ft)
Screw, throttle grip	M6	5 Nm (3.7 lbf ft)
Fuel connection on fuel pump	M8	10 Nm (7.4 lbf ft)
Nut, foot brake lever	M8	15 Nm (11.1 lbf ft)
Nut, foot brake lever stop	M8	20 Nm (14.8 lbf ft)
Nut, pull switch (150 XC-W TPI US)	M8	0.4 Nm (0.3 lbf ft)
Nut, rear sprocket screw	M8	35 Nm (25.8 lbf ft) Loctite®2701™
Nut, rim lock	M8	12 Nm (8.9 lbf ft)
Remaining nuts, chassis	M8	25 Nm (18.4 lbf ft)

22 TECHNICAL DATA

Remaining screws, chassis	M8	25 Nm (18.4 lbf ft)
Screw, bottom triple clamp	M8	15 Nm (11.1 lbf ft)
Screw, chain sliding piece	M8	15 Nm (11.1 lbf ft)
Screw, engine brace	M8x15	25 Nm (18.4 lbf ft) Loctite®2701™
Screw, engine brace	M8x20	25 Nm (18.4 lbf ft) Loctite®243™
Screw, fork stub	M8	15 Nm (11.1 lbf ft)
Screw, front brake caliper	M8	25 Nm (18.4 lbf ft) Loctite®243™
Screw, handlebar clamp	M8	20 Nm (14.8 lbf ft)
Screw, side stand attachment	M8	33 Nm (24.3 lbf ft) Loctite®2701™
Screw, subframe bottom	M8	30 Nm (22.1 lbf ft) Loctite®2701™
Screw, subframe top	M8	35 Nm (25.8 lbf ft) Loctite®2701™
Screw, top steering stem	M8	20 Nm (14.8 lbf ft)
Screw, top triple clamp	M8	20 Nm (14.8 lbf ft)
Engine bracket screw	M10	60 Nm (44.3 lbf ft)
Remaining nuts, chassis	M10	45 Nm (33.2 lbf ft)
Remaining screws, chassis	M10	45 Nm (33.2 lbf ft)
Screw, handlebar support	M10	40 Nm (29.5 lbf ft) Loctite®243™
Nut, fuel pump	M12	15 Nm (11.1 lbf ft)
Screw, bottom shock absorber	M12	80 Nm (59 lbf ft) Loctite®2701™
Screw, top shock absorber	M12	80 Nm (59 lbf ft) Loctite®2701™
Nut, fork pivot	M16x1.5	100 Nm (73.8 lbf ft)
Nut, rear wheel spindle	M20x1.5	80 Nm (59 lbf ft)
Screw, front wheel spindle	M20x1.5	35 Nm (25.8 lbf ft)
Screw, top steering head	M20x1.5	12 Nm (8.9 lbf ft)
Screw-in fitting, cooling system	M24x1.5	15 Nm (11.1 lbf ft) Loctite®243™

Brake fluid DOT 4 / DOT 5.1

Standard/classification

- DOT

Guideline

- Use only brake fluid that complies with the specified standard (see specifications on the container) and that exhibits the corresponding properties.

Recommended supplier

Castrol

- REACT PERFORMANCE DOT 4

MOTOREX®

- Brake Fluid DOT 5.1

Coolant

Guideline

- Only use high-grade, silicate-free coolant with corrosion inhibitor additive for aluminum motors. Low grade and unsuitable antifreeze causes corrosion, deposits and frothing.
- Do not use pure water as only coolant is able to meet the requirements needed in terms of corrosion protection and lubrication properties.
- Only use coolant that complies with the requirements stated (see specifications on the container) and that has the relevant properties.

Antifreeze protection to at least	-25 °C (-13 °F)
-----------------------------------	-----------------

The mixture ratio must be adjusted to the necessary antifreeze protection. Use distilled water if the coolant needs to be diluted.

The use of premixed coolant is recommended.

Observe the coolant manufacturer specifications for antifreeze protection, dilution and miscibility (compatibility) with other coolants.

Recommended supplier

MOTOREX®

- COOLANT M3.0

Engine oil (15W/50)

Standard/classification

- JASO T903 MA2 (📖 p. 161)
- SAE (📖 p. 161) (15W/50)

Guideline

- Use only engine oils that comply with the specified standards (see specifications on the container) and that possess the corresponding properties.

Recommended supplier

MOTOREX®

- Top Speed 4T

Engine oil, 2-stroke

Standard/classification

- JASO FD (📖 p. 161)

Guideline

- Only use high grade 2-stroke engine oil of a reputable brand.

Fully synthetic

Recommended supplier

MOTOREX®

- Cross Power 2T

Shock absorber fluid (SAE 2.5) (50180751S1)

Standard/classification

- SAE (📖 p. 161) (SAE 2.5)

Guideline

- Use only oils that comply with the specified standards (see specifications on the container) and that exhibit the corresponding properties.

Super unleaded (ROZ 95/RON 95/PON 91)

Standard/classification

- DIN EN 228 (ROZ 95/RON 95/PON 91)

Guideline

- Only use unleaded super fuel that matches or is equivalent to the specified fuel grade.
- Fuel with an ethanol content of up to 10 % (E10 fuel) is safe to use.



Info

Do **not** use fuel containing methanol (e. g. M15, M85, M100) or more than 10 % ethanol (e. g. E15, E25, E85, E100).

Air filter cleaner

Recommended supplier

MOTOREX®

- Racing Bio Dirt Remover

Chain cleaner

Recommended supplier

MOTOREX®

- Chain Clean

Fuel additive

Recommended supplier

MOTOREX®

- Fuel Stabilizer

High viscosity grease

Recommended supplier

SKF®

- LGHB 2

Long-life grease

Recommended supplier

MOTOREX®

- Bike Grease 2000

Motorcycle cleaner

Recommended supplier

MOTOREX®

- Moto Clean

Off-road chain spray

Recommended supplier

MOTOREX®

- Chainlube Offroad

Oil for foam air filter

Recommended supplier

MOTOREX®

- Racing Bio Liquid Power

Preserving materials for paints, metal and rubber

Recommended supplier

MOTOREX®

- Moto Protect

Special cleaner for glossy and matte paint finishes, metal and plastic surfaces

Recommended supplier

MOTOREX®

- Quick Cleaner

Universal oil spray

Recommended supplier

MOTOREX®

- Joker 440 Synthetic

JASO T903 MA2

Different technical development directions required a separate specification for motorcycles – the **JASO T903 MA2** standard.

Earlier, engine oils from the automobile industry were used for motorcycles because there was no separate motorcycle specification.

Whereas long service intervals are demanded for automobile engines, the focus for motorcycle engines is on high performance at high engine speeds.

In most motorcycle engines, the transmission and clutch are lubricated with the same oil.

The **JASO T903 MA2** standard meets these special requirements.

SAE

The SAE viscosity classes were defined by the Society of Automotive Engineers and are used for classifying oils according to their viscosity. The viscosity describes only one property of oil and says nothing about quality.

JASO FD


JASO FD is a classification for a 2-stroke engine oil that was specifically developed for the extreme demands of racing. Thanks to first-rate synthetic esters and specially designed additives, superb combustion is achieved even under extreme operating conditions.

TPI	Injection into transfer ducts (Transfer Port Injection)	Electronic fuel injection in which two injection valves in the transfer ducts of the cylinders are used
OBD	On-board diagnosis	Vehicle system, which monitors the specified parameters of the vehicle electronics

Art. no.	Article number
ca.	circa
cf.	compare
e.g.	for example
etc.	et cetera
i.a.	inter alia
no.	number
poss.	possibly



28.1 Red symbols

Red symbols indicate an error condition that requires immediate intervention.

	<p>The oil level warning lamp lights up red – Oil level has reached the MIN marking. Ride for no more than until the remaining fuel in the tank is depleted and at the next opportunity refuel with 2-stroke oil.</p>
---	--



28.2 Yellow and orange symbols

Yellow and orange symbols indicate an error condition that requires prompt intervention. Active driving aids are also represented by yellow or orange symbols.

	<p>Malfunction indicator lamp lights up/flashes yellow – The OBD has detected an error in the vehicle electronics. Come safely to a halt, and contact an authorized KTM workshop.</p>
	<p>The fuel level warning lamp lights up yellow – The fuel level has reached the reserve mark.</p>

28.3 Green and blue symbols

Green and blue symbols reflect information.

	<p>The high beam indicator lamp lights up blue – The high beam is switched on.</p>
	<p>Turn signal indicator lamp flashes green – The turn signal is switched on.</p>

1

12-V battery
 charging 112
 installing 111
 removing 109
 starting power 39

2

2-stroke oil level
 checking 135

2-stroke oil tank cap
 closing 21
 opening 20

A

Accessories 11

Air filter
 cleaning 75
 installing 74
 removing 74

Air filter box
 cleaning 75

Air filter box cover
 installing 73
 preparing for securing 75
 removing 73

Ambient pressure
 programming 131

Antifreeze
 checking 123

Auxiliary substances 11

B

Basic chassis setting
 rider's weight, checking with 53

Brake discs
 checking 92

Brake fluid
 of front brake, adding 93
 of rear brake, adding 99

Brake fluid level
 of front brake, checking 93
 rear brake, checking 98

Brake linings
 front brake, checking 94
 of front brake, changing 95
 of the rear brake, changing 100
 rear brake, checking 100

C

Capacity
 coolant 126, 152
 fuel 49, 152
 Gear oil 141, 152

Chain
 checking 83
 cleaning 81

Chain guide
 checking 83

Chain tension
 adjusting 82
 checking 81

Characteristic map of the throttle response
 adjusting 129

Cleaning, care 143-144

Clutch
 fluid level, checking/correcting 88
 fluid, changing 89

Clutch lever 16
 basic position, adjusting 87

Cold start button 21

Combination instrument
 adjusting 26
 clock, setting 27
 combination instrument battery, changing .. 121
 kilometers or miles, setting 25
 overview 25

Compression damping
 fork, adjusting 59

Coolant
 draining 124
 refilling 125

Coolant level
 checking 123-124

Cooling system 123

Customer service 11

D

Diagnostics connector 122

Difficult operating conditions 39
 dry sand 39
 low temperature 43
 muddy surfaces 42
 snow 43
 wet sand 41
 wet surfaces 42

Difficult riding conditions
 high temperatures 42
 slow speed 42

E		G	
Emergency OFF switch	18	Gear oil	
Engine		adding	141
running in	38	changing	140
Engine guard		Gear oil level	
installing	90	checking	140
removing	90	H	
Engine number	14	Hand brake lever	16
Engine sprocket		basic position, adjusting	92
checking	83	free travel, adjusting	91
Environment	9	free travel, checking	91
F		Handlebar position	60
Figures	11	adjusting	60
Foot brake lever	23	Headlight	
basic position, adjusting	97	range, adjusting	121
free travel, checking	97	Headlight bulb	
Fork		changing	118
article number	15	Headlight mask with headlight	
basic setting, checking	58	installing	118
Fork legs		removing	117
bleeding	62	Headlight setting	
dust boots, cleaning	63	checking	120
installing	65	High-speed compression damping	
removing	64	shock absorber, adjusting	54
Fork protector		Horn button	17
installing	64	I	
removing	63	Idle speed	
Frame		adjusting	130
checking	86	Idle speed adjusting screw	22
Front fender		Ignition timing map	
installing	70	changing	132
removing	70	plug-in connector	132
Front wheel		Implied warranty	11
installing	104	Intended use	7
removing	103	K	
Fuel screen		Key number	14
changing	134	Kick starter lever	23
Fuel tank		L	
installing	79	Light switch	17
removing	77	Link fork	
Fuel tank filler cap		checking	86
closing	20	Lower triple clamp	
opening	19	installing	66
Fuel, oils, etc.	11	removing	65
Fuse		Low-speed compression damping	
main fuse, changing	114	shock absorber, adjusting	53
of the individual power consumers, changing	116		

M	
Main fuse	
changing	114
Main silencer	
glass fiber yarn filling, changing	76
installing	76
removing	76
Manufacturer warranty	11
Misuse	7
Motorcycle	
cleaning	143
from lift stand, removing	62
raising with lift stand	62
O	
Oil pump	
priming	135
Overview of indicator lamps	19
Owner's Manual	10
P	
Preparing for use	
advice on preparing for first use	37
after storage	146
checks and maintenance measures when preparing for use	44
Protective clothing	9
R	
Rear sprocket	
checking	83
Rear wheel	
installing	105
removing	104
Rebound damping	
fork, adjusting	59
shock absorber, adjusting	55
Refueling	
2-stroke oil	49
fuel	48
Riding sag	
adjusting	58
Rubber grip	
checking	87
S	
Safe operation	8
Seat	
mounting	72
removing	72
Service	11
Service schedule	50-52
Shift lever	22
basic position, adjusting	133
basic position, checking	133
Shock absorber	
article number	15
compression damping, general	53
installing	71
removing	71
riding sag, checking	56
spring preload, adjusting	57
static sag, checking	56
Side stand	23
Spare parts	11
Spoke tension	
checking	108
Start button	18
Starting	44
Starting power of lithium-ion batteries at low temperatures	39
Steering	
locking	24
unlocking	24
Steering head bearing	
lubricating	70
Steering head bearing play	
adjusting	69
checking	68
Storage	145
Switch-off button	16-17
T	
Technical data	
capacities	152
chassis	152
chassis tightening torques	155
electrical system	153
engine	150
engine tightening torques	150
fork	154
shock absorber	154
tires	153
Throttle cable play	
adjusting	128
checking	128
Throttle cable routing	
checking	86
Throttle grip	16
Tire condition	
checking	107

Tire pressure	
checking	107
Transporting	47
Troubleshooting	147-149
Turn signal bulb	
changing	119
Turn signal switch	18
Type label	14
U	
Use definition	7
V	
Vehicle identification number	14
View of vehicle	
front left	12
rear right	13
W	
Winter operation	
checks and maintenance steps	144
Work rules	9

READY TO RACE

>> www.ktm.com



3214006en

08/2019



KTM

KTM Sportmotorcycle GmbH
5230 Mattighofen/Austria
<http://www.ktm.com>



Photo: Mitterbauer/KISKA/KTM