

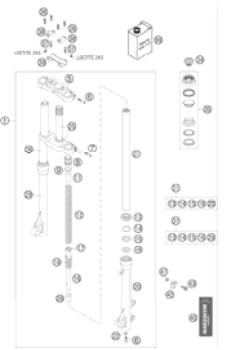

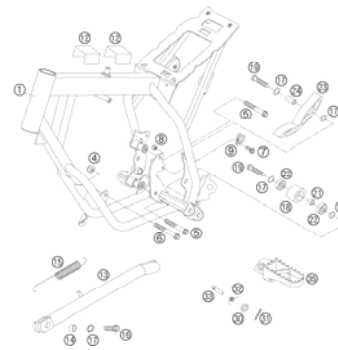
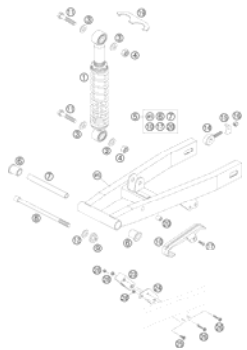
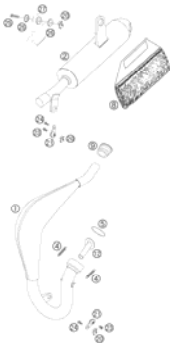
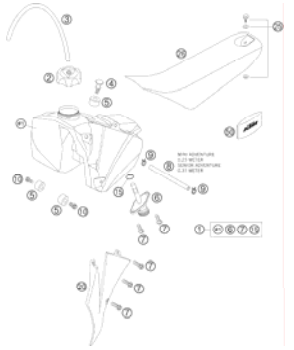
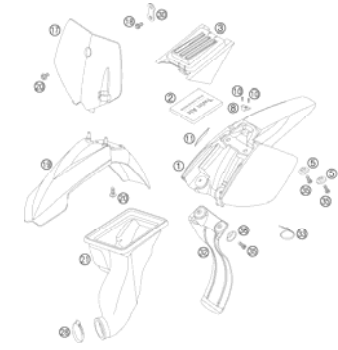

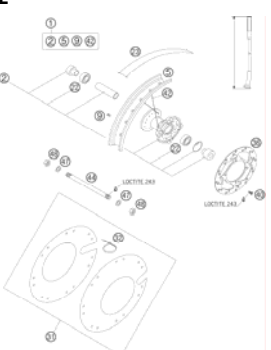
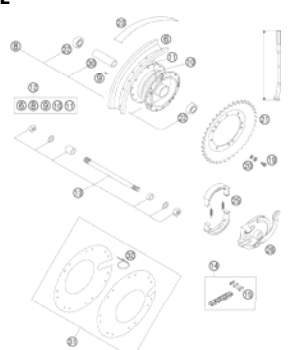
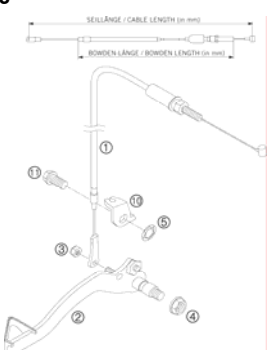
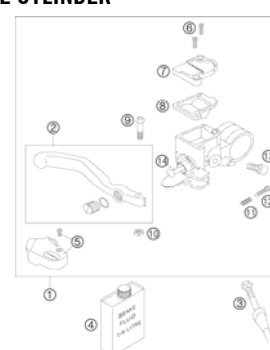
50 SENIOR ADVENTURE 2006



SPARE PARTS MANUAL: CHASSIS

ART.NO.: 3CF6001F2EN

ENGLISH

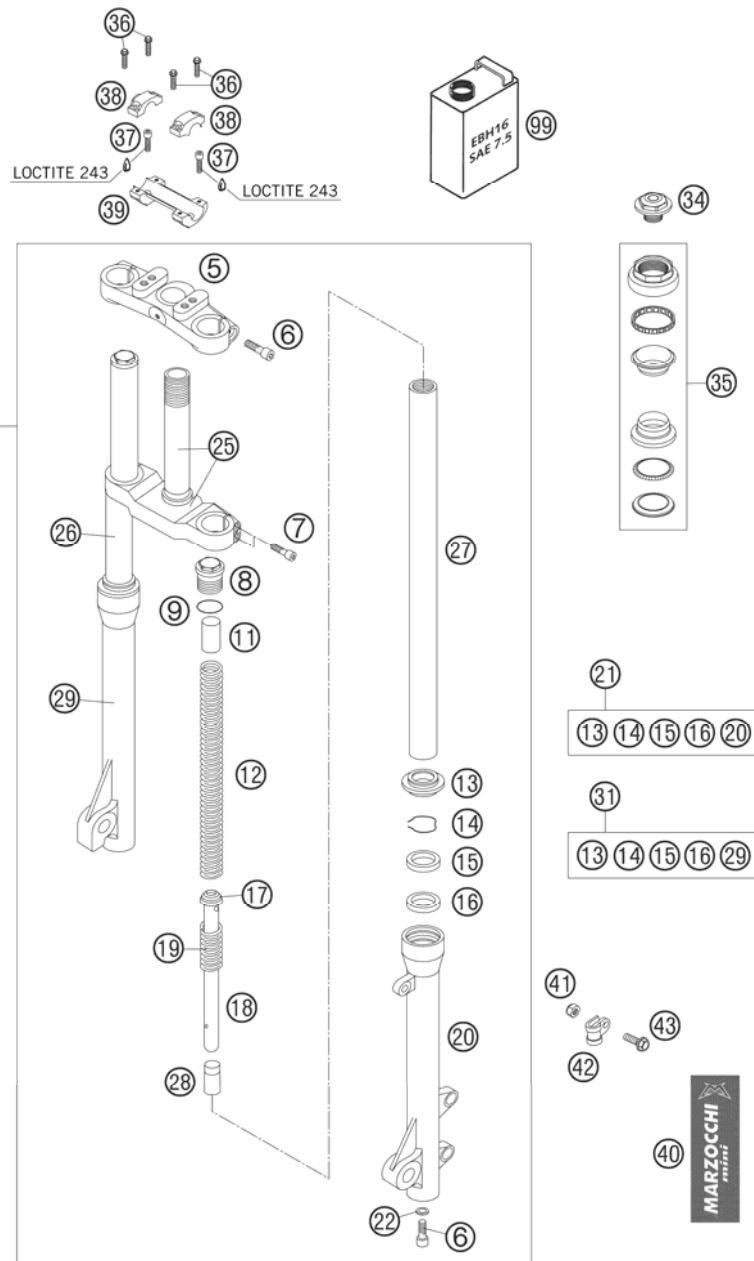


| | | | |
|--------------------------------------------------------------------------------------------------------------------------------|--------------------------------------------------------------------------------------------------------------------------------------|-------------------------------------------------------------------------------------------------------------------------------------|------------------------------------------------------------------------------------------------------------------------------------------|
| <p>FRONT FORK</p>  <p>3</p> | <p>HANDLEBAR, CONTROLS</p>  <p>5</p> | <p>FRAME, SIDE STAND</p>  <p>6</p> | <p>MONOSHOCK, SWINGARM</p>  <p>7</p> |
| <p>EXTHAUS SYSTEM</p>  <p>8</p> | <p>TANK, SEAT, COVER</p>  <p>9</p> | <p>MASK, FENDERS</p>  <p>10</p> | <p>DECAL</p>  <p>11</p> |
| <p>FRONT WHEEL</p>  <p>12</p> | <p>REAR WHEEL</p>  <p>13</p> | <p>ACCESSORIES</p>  <p>14</p> | <p>HAND BRAKE CYLINDER</p>  <p>15</p> |

| | | | |
|--------------------------------------------------------------------------------------------------------------------------------------|-----------------------------------------------------------------------------------------------------------------------------------------------------------------------------------------------------------------------------------------------------------------------------------------------------------------------------------------------------------------------------------------------------------------------------------------------------------------------------------------------------------------------------------------------------------------------------------------------------------------------------------------------------------------------------------------------------------------------------------------------------------------------------------------------------------------------------------------------------------------------------------------------------------------------------------------------------------------------------------------------------------|--|--|
| <p>BRAKE CALIPER FRONT</p>  <p>16</p> | | | |
| | | | |
| |  <p>All information contained is without obligation. KTM-Sportmotorcycle AG particularly reserves the right to modify any equipment, technical specifications, prices, colors, shapes, materials, services, service work, constructions, equipment and the like so as to adapt them to local conditions or to cancel any of the above items, all without previous announcement and without giving reasons. KTM may stop manufacturing certain models without previous notice. KTM shall not be held liable for any deviations of availability and/or ability to deliver, illustrations, descriptions, printing and/or other errors. The illustrated models partly contain extra equipment, which is not applied to standard models. © 2004 by KTM-SPORTMOTORCYCLE AG, Mattighofen AUSTRIA; All rights reserved; Reprint, also in extracts, with written allowance of KTM-SPORTMOTORCYCLE AG, Mattighofen only.</p> | | |

FRONT FORK

50 SENIOR ADVENTURE 2006



| FIG | PART NUMBER | DESCRIPTION | QTY |
|-----|-------------|------------------------------------------------------------|-----|
| 1 | 45101000544 | FORK CPL. SX SEN. MARZ. 2002 | 1 |
| 5 | 7501476A | TOP FORK PLATE | 1 |
| 6 | 0912080303 | AH SCREW DIN0912-M 8X30 | 4 |
| 7* | 0912060253 | AH SCREW DIN0912-M 6X25 | 4 |
| 8 | 7504212AC | PLUG CAP | 2 |
| 9 | 7528010 | O-RING | 2 |
| 11 | 7518076 | PRE LOAD BUSH 25X2,5X100 | 2 |
| 12 | 75141169 | SPRING 2N/MM | 2 |
| 12 | 75141214 | SPRING 2,5N/MM | x |
| 13 | 7533297 | DUST SEAL | 2 |
| 14 | 7523264 | STOP RING | 2 |
| 15 | 7528230 | OIL SEAL 32/42/6,5-9,5 | 2 |
| 16 | 7522166AA | WASHER D42X32,5X1,5 | 2 |
| 17 | 7524157 | PISTON RING D32 | 1 |
| 18 | 78031045 | ONLY FOR REBOUND DAMPING PISTON ROD COMPRESSION SEN. 01 | 1 |
| 18 | 78031047 | COMPRESSION DAMP. RIGHT SIDE PISTON ROD REBOUND SEN. 01 | 1 |
| 19 | 75141015 | REBOUND DAMPING - LEFT SIDE REBOUND SPRING | 2 |
| 20 | 75031570A | SLIDER L/S 50 LC 2002 | 1 |
| 21 | 75031570A/R | SLIDER CPL. L/S 50LC 2002 | 1 |
| 22 | 7522225 | WASHER 14X8X1,5 | 2 |
| 25 | 77051095 | BOT. FORK PLATE CPL. SEN. 01 | 1 |
| 26 | 7708249/R | FORK TUBE R/S SENIOR 02 | 1 |
| 27 | 7708250/R | FORK TUBE L/S SENIOR 02 | 1 |
| 28 | 7512068 | FOOT BUFFER | 2 |
| 29 | 75031571A | SLIDER R/S 50 LC 2002 | 1 |
| 31 | 75031571A/R | SLIDER CPL. R/S 50LC 2002 | 1 |
| 34 | 50301036000 | STEER.HEAD SCREW M20X1,5 WS=27 | 1 |
| 35 | 45101081100 | STEER.STEM B. CPL. 50 SXR 2003 | 1 |
| 36 | 0015080303 | HH COLLAR SCREW M 8X30 WS=10 | 4 |
| 37 | 0912100250 | AH SCREW DIN6912-M10X25,10.9,L | 2 |
| 38 | 50301038000 | HANDLEBAR CLAMP D=22MM 2001 | 2 |
| 39 | 45101039000 | HANDLEBAR SUPPORT D=22MM 2001 | 1 |
| 40 | 7547325 | STICKER LEFT SIDE MARZOCCHI | 1 |

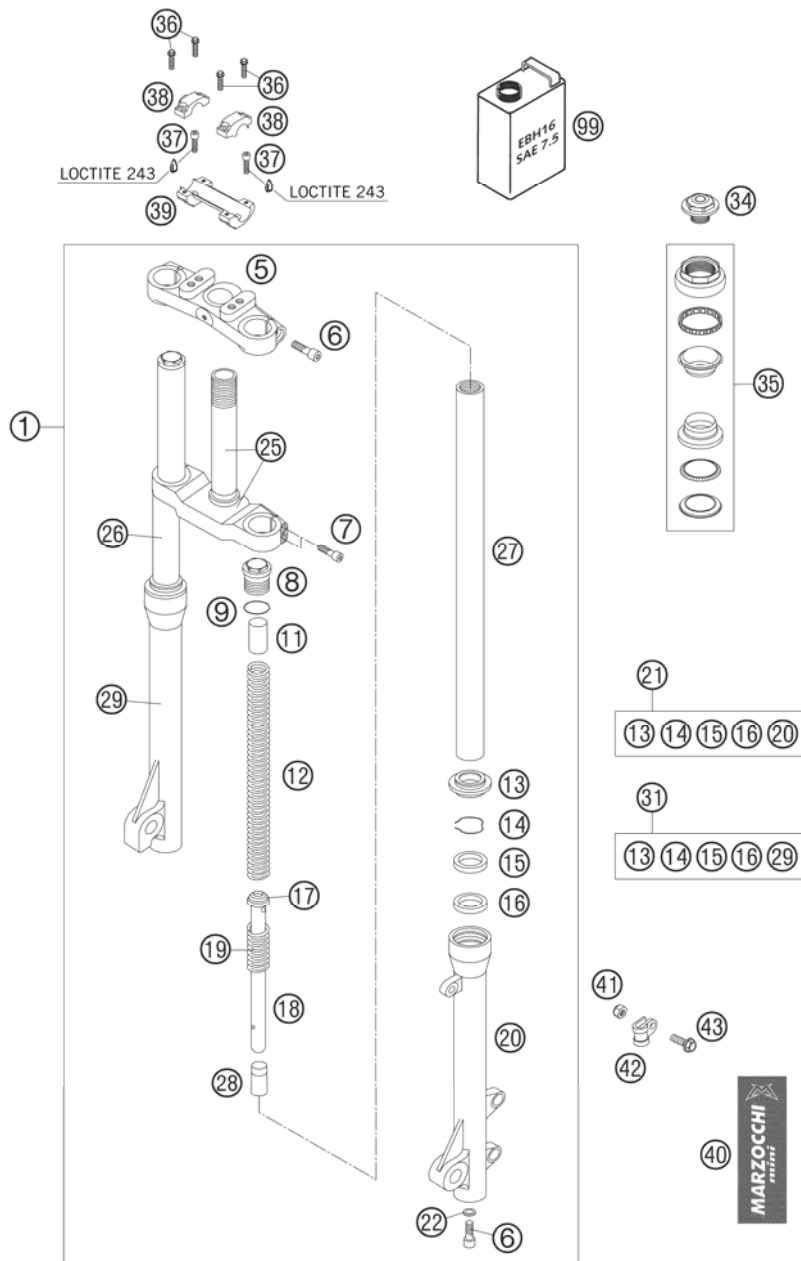
064500101 / C064500101

* NEW PART

X AS REQUIRED

FRONT FORK

50 SENIOR ADVENTURE 2006



| FIG | PART NUMBER | DESCRIPTION | QTY |
|-----|-------------|------------------------------|-----|
| 40 | 7547331 | STICKER RIGHT SIDE MARZOCCHI | 1 |
| 41 | 0985050003 | SELF LOCKING NUT DIN0985-M 5 | 1 |
| 42 | 45001070000 | BRAKE CABLE CLAMP RSGU 9/12 | 1 |
| 43 | 0015050203 | HH COLLAR SCREW M 5X20 WS=8 | 1 |
| 99 | 7550013 | FORKOIL EBH16 SAE 7.5 | 1 |

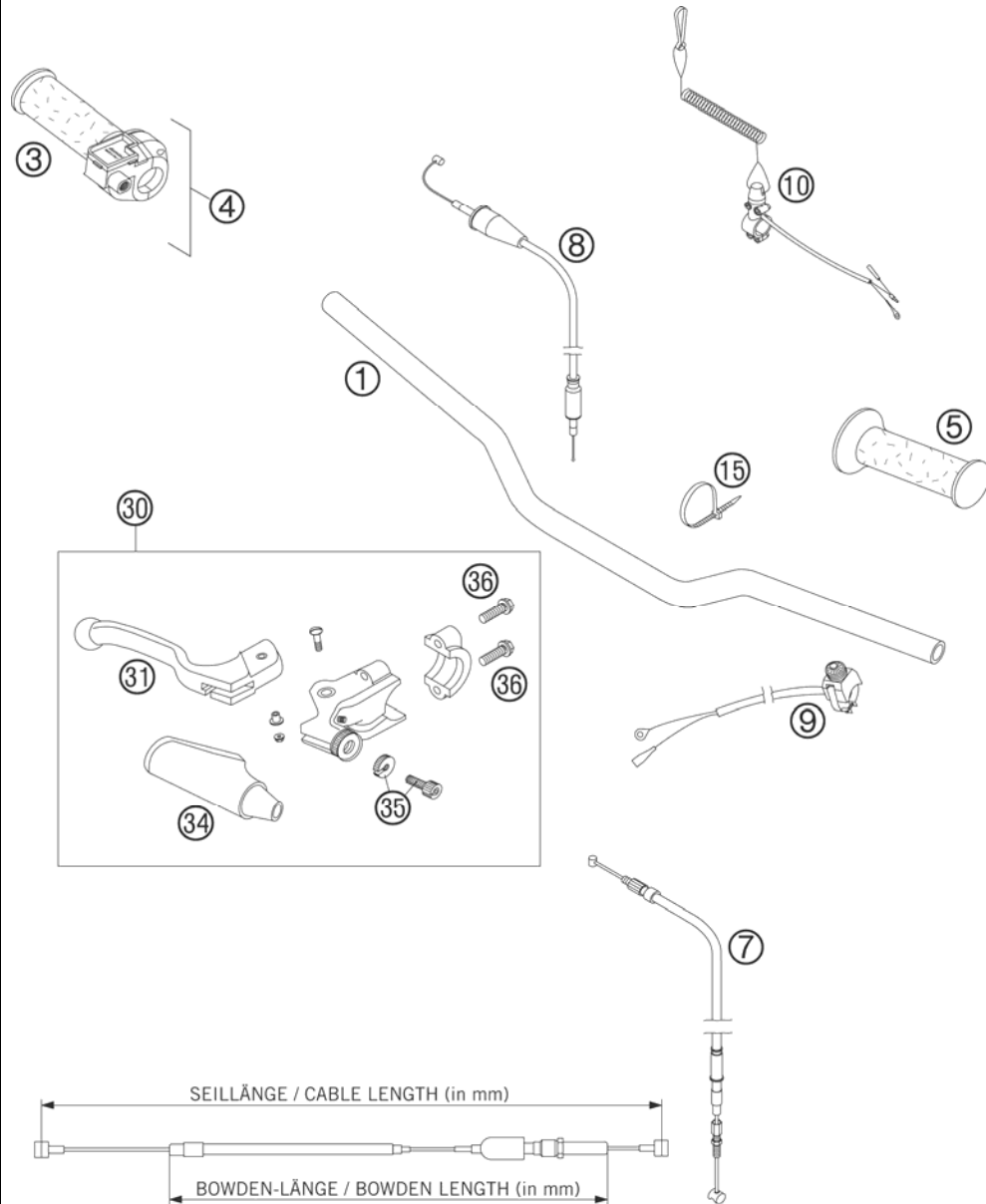
064500101 / C064500101

* NEW PART

X AS REQUIRED

HANDLEBAR, CONTROLS

50 SENIOR ADVENTURE 2006



| FIG | PART NUMBER | DESCRIPTION | QTY |
|-----|-------------|--------------------------------------------------------|-----|
| 1 | 45102001000 | HANDLEBAR 50 AC+LC 2005 | 1 |
| 3* | 45002003000 | TWIST GRIP COVER DOMINO | 1 |
| 4 | 45002010000 | TWIST GRIP CPL. 50 SXR | 1 |
| 5 | 45002039000 | RUBBER GRIP | 1 |
| 7 | 45113070100 | BRAKE CABLE REAR 1287/1152 01 SENIOR ADV. | 1 |
| 8 | 45102091000 | THROTTLE CABLE SEN.849/726 01 | 1 |
| 9 | 50311089200 | SHORT CIRCUIT BUTTON 02 | 1 |
| 10 | 45011089044 | S.CIRCUIT BUTTON W. RIP CORD | x |
| 15 | 44011076100 | CABLE TIE 100/2,5MM BLACK | x |
| 15 | 44011076200 | CABLE TIE 200/3,6MM BLACK | x |
| 30 | 46002040100 | CLUTCH LEVER CPL. 60/65 SX '99 | 1 |
| 31 | 46002042100 | HAND BRAKE LEVER L/S CLUTCH LEVER LOOSE 60/65SX '99 | 1 |
| 34 | 46002048000 | HAND BRAKE LEVER L/S PLASTIC CAP FOR CLUTCH LEVER | x |
| 35 | 46002043100 | ADJUST SCREW CLUTCH LEVER 2000 | x |
| 36 | 0015060203 | HH COLLAR SCREW M 6X20 WS=8 | x |

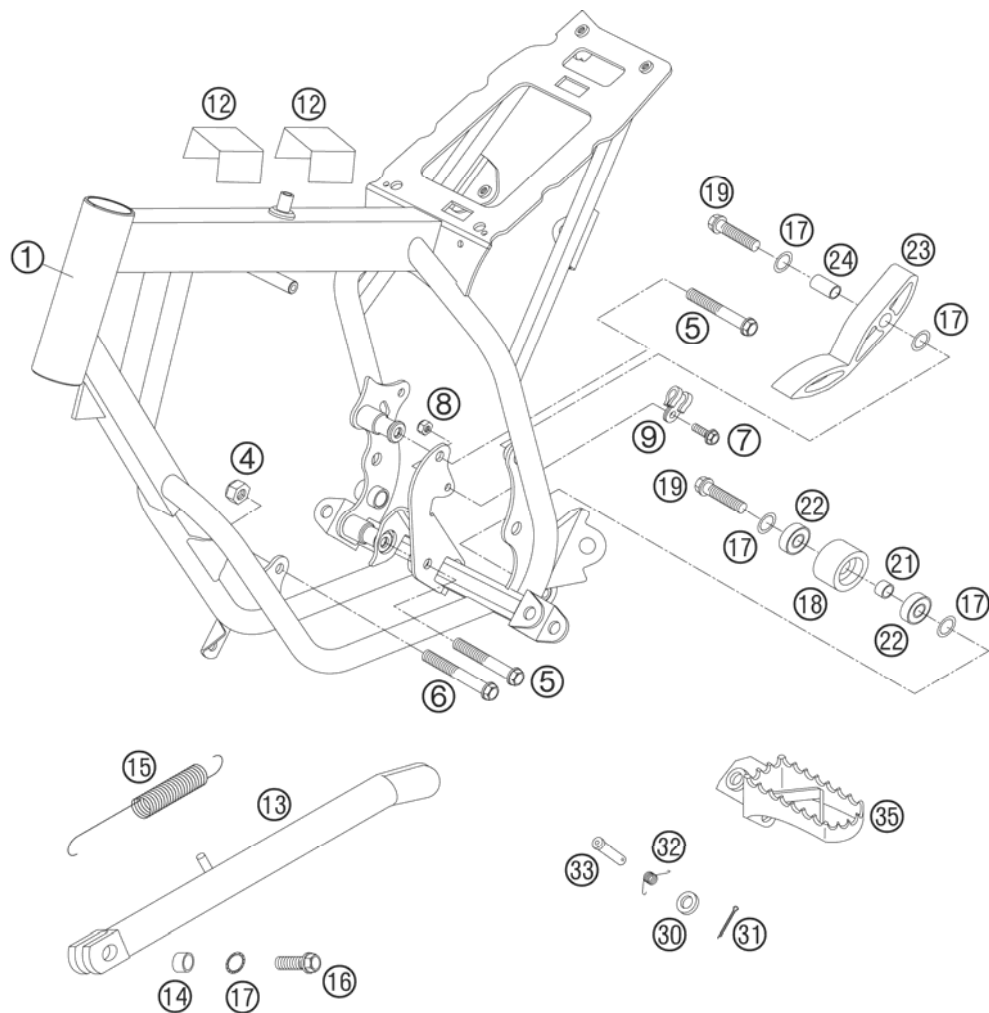
064500200 / C064500201

* NEW PART

X AS REQUIRED

FRAME, SIDE STAND

50 SENIOR ADVENTURE 2006



| FIG | PART NUMBER | DESCRIPTION | QTY |
|-----|---------------|--------------------------------|-----|
| 1 | 45103001300 | FRAME SENIOR ADV. "MB2R" 2002 | 1 |
| 4 | 54310086200 | SELF LOCKING NUT M8 10.9 | 1 |
| 5 | 0015080603 | HH COLLAR SCREW M 8X60 WS=10 | 2 |
| 6 | 0015080653 | HH COLLAR SCREW M 8X65 WS=10 | 1 |
| 7 | 0015050123 | HH COLLAR SCREW M 5X12 WS=8 | 1 |
| 8 | 0985050003 | SELF LOCKING NUT DIN0985-M 5 | 1 |
| 9 | 45001070000 | BRAKE CABLE CLAMP RSGU 9/12 | 1 |
| 12 | 58711054050 | METAMOLL FOR BATTERY BRACKET | 2 |
| 13 | 4510302300090 | SIDE STAND L=319MM SILVER 2001 | 1 |
| 14 | 45103023250 | BUSHING FOR SIDE STAND 02 | 1 |
| 15 | 51003021000 | SIDESTAND SPRING LONG | 1 |
| 16 | 0015080203 | HH COLLAR SCREW M 8X20 WS=10 | 1 |
| 17 | 36003014000 | LOCK WASHER 8MM | 5 |
| 18 | 50203053000 | CHAIN ROLL D=30MM | 1 |
| 19 | 0015080303 | HH COLLAR SCREW M 8X30 WS=10 | 2 |
| 21 | 74003021000 | BUSHING 8.2 X 12 X 6 | 1 |
| 22 | 0625006087 | GROOVED BALL BEAR. 608 2RS C3 | 2 |
| 23 | 51103053000 | CHAIN SLIDING PIECE BELOW '97 | 1 |
| 24 | 51103053051 | BUSHING 8,2X10X20 | 1 |
| 30 | 0125100003 | WASHER DIN0125-A10,5 | 2 |
| 31 | 0094032253 | PIN DIN0094-3,2X25 STEEL | 2 |
| 32 | 54603041000 | FOOTREST SPRING L/S & R/S | 2 |
| 33 | 54803044000 | BOLT FOR FOOT PED 03 | 2 |
| 35 | 5460304000090 | FOOT REST L/S SILVER | 1 |
| 35 | 5460314000090 | FOOT REST R/S SILVER '98 | 1 |

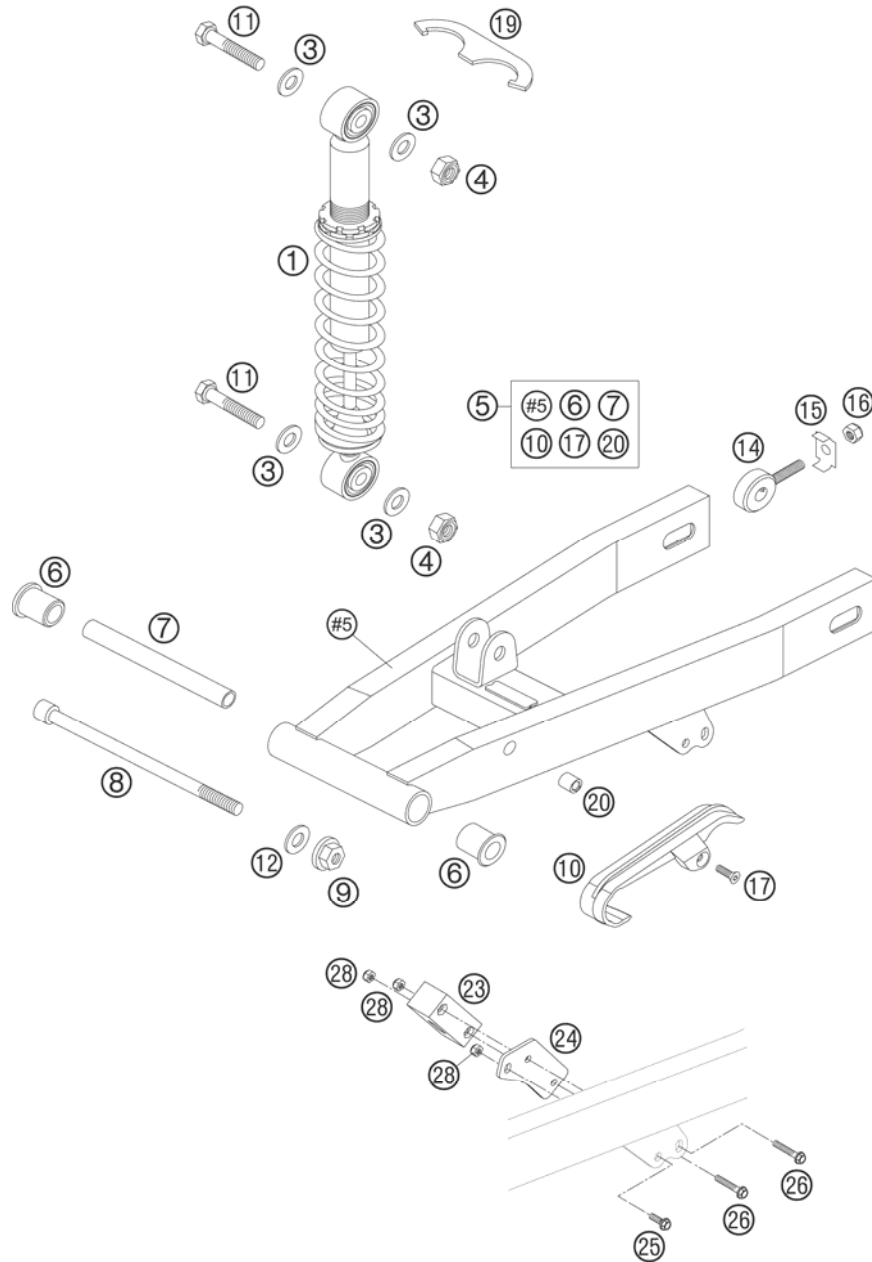
04450031 / C064500301

* NEW PART

X AS REQUIRED

MONOSHOCK, SWINGARM

50 SENIOR ADVENTURE 2006



| FIG | PART NUMBER | DESCRIPTION | QTY |
|-----|-------------|--------------------------------|-----|
| 1 | 45104010400 | SHOCK ABSORBER SEN. L=275MM 02 | 1 |
| 3 | 0125100003 | WASHER DIN0125-A10,5 | 4 |
| 4 | 0982100003 | SELF LOCK.NUT DIN0982-M10 HIGH | 2 |
| 5 | 45104030144 | SWINGARM CPL. SEN. ADV.+LC 02 | 1 |
| 6 | 45004031000 | BUSHING BOX L=30 MM | 2 |
| 7 | 45004039000 | SPACING TUBE 10X13X140 MM | 1 |
| 8 | 45103014000 | SWING ARM BOLT M10X158,5 02 | 1 |
| 9 | 49009082000 | SELF LOCKING NUT M10 FK8 | 1 |
| 10 | 45104066000 | CHAIN SLID. GUARD FRO. MINI 02 | 1 |
| 11 | 0931100453 | HH SCREW DIN0931-M10X45 | 2 |
| 12 | 31004001100 | WASHER 10,5 X 21 X 3 | 1 |
| 14 | 45010083000 | CHAIN ADJUSTER | 2 |
| 15 | 45010083060 | SUPPORTING BRACKET | 2 |
| 16 | 0985080003 | SELF LOCKING NUT DIN0985-M 8 | 2 |
| 17 | 0991060203 | FLAT H.SCREW DIN7991-M6X20 8.8 | 1 |
| 19 | 45004010090 | HOOK WRENCH 50 SXR | 1 |
| 20 | 55003139900 | BLIND RIVET THREAD M6 STE. 4MM | 1 |
| 23 | 45004070000 | CHAIN GUIDE REAR | 1 |
| 24 | 45104170000 | BRACKET FOR CHAIN GUARD 02 | 1 |
| 25* | 0015050123 | HH COLLAR SCREW M 5X12 WS=8 | 2 |
| 26 | 0015050303 | HH COLLAR SCREW M 5X30 WS=8 | 1 |
| 28 | 0985050003 | SELF LOCKING NUT DIN0985-M 5 | 3 |

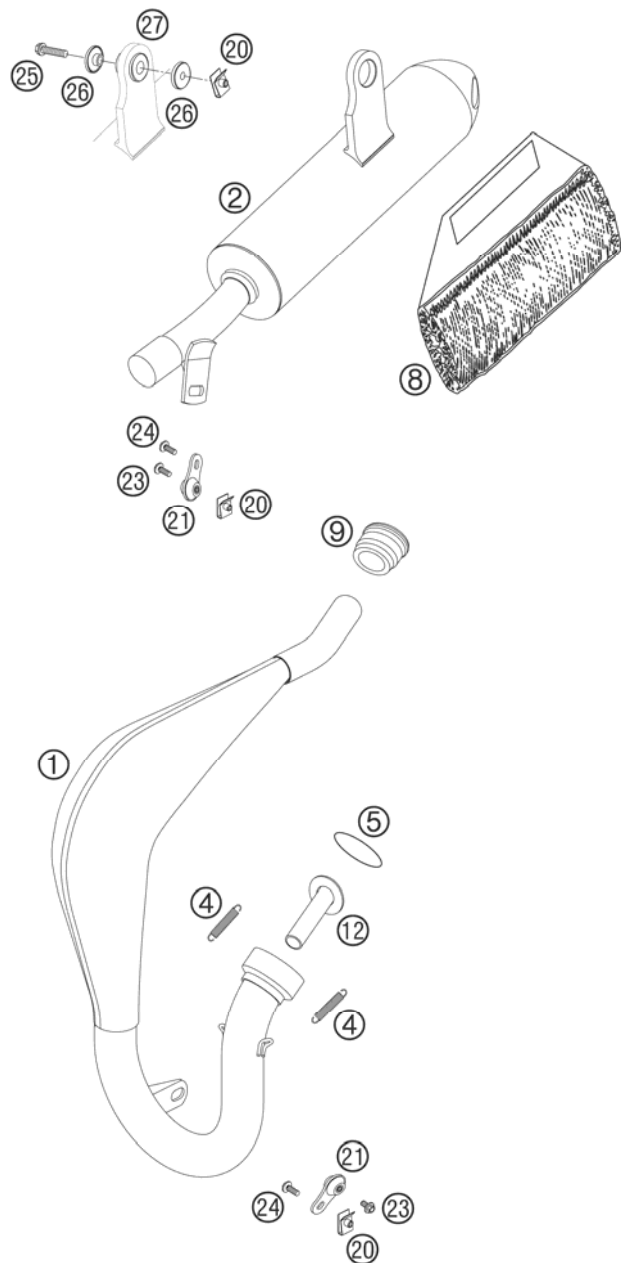
064500401 / C064500401

* NEW PART

X AS REQUIRED

EXTHAUS SYSTEM

50 SENIOR ADVENTURE 2006



| FIG | PART NUMBER | DESCRIPTION | QTY |
|-----|-------------|-----------------------------------------------------|-----|
| 1 | 45105008000 | EXHAUST PIPE 50 ADVENTURE 2002 | 1 |
| 2 | 45105079000 | SILENCER SX SENIOR 2001 SENIOR ADV. | 1 |
| 4 | 50305016000 | TEN.SPRING L=62MM EY.MOVEABLE | 2 |
| 5 | 0770320030 | O-RING 32,00X3,00 VITON | 1 |
| 8 | 45105079056 | ROCKWOOL PREFOMED 50 2002 110 GRAMM TOTAL WEIGHT | 1 |
| 9 | 45105057000 | EXHAUST RUBBER MINI 2002 | 1 |
| 12 | 45105083000 | EXHAUST THROTTLE CPL. MINI 02 | 1 |
| 20 | 54603048100 | RANGE CHANGE METAL NUT M6 | 3 |
| 21 | 50305012000 | SWINGELEMNT FOR EXHAUST PIPE | 2 |
| 23 | 0015060123 | HH COLLAR SCREW M 6X12 WS=8 | 2 |
| 24 | 0014060153 | HH COLLAR SCREW M 6X15 WS=8 | 2 |
| 25 | 0015060303 | HH COLLAR SCREW M 6X30 WS=8 | 1 |
| 26 | 54605069000 | BUSHING 7,5X12X28X7,8 '96 | 2 |
| 27 | 54605068000 | EXHAUST BRACKET RUBBER BLACK | 1 |

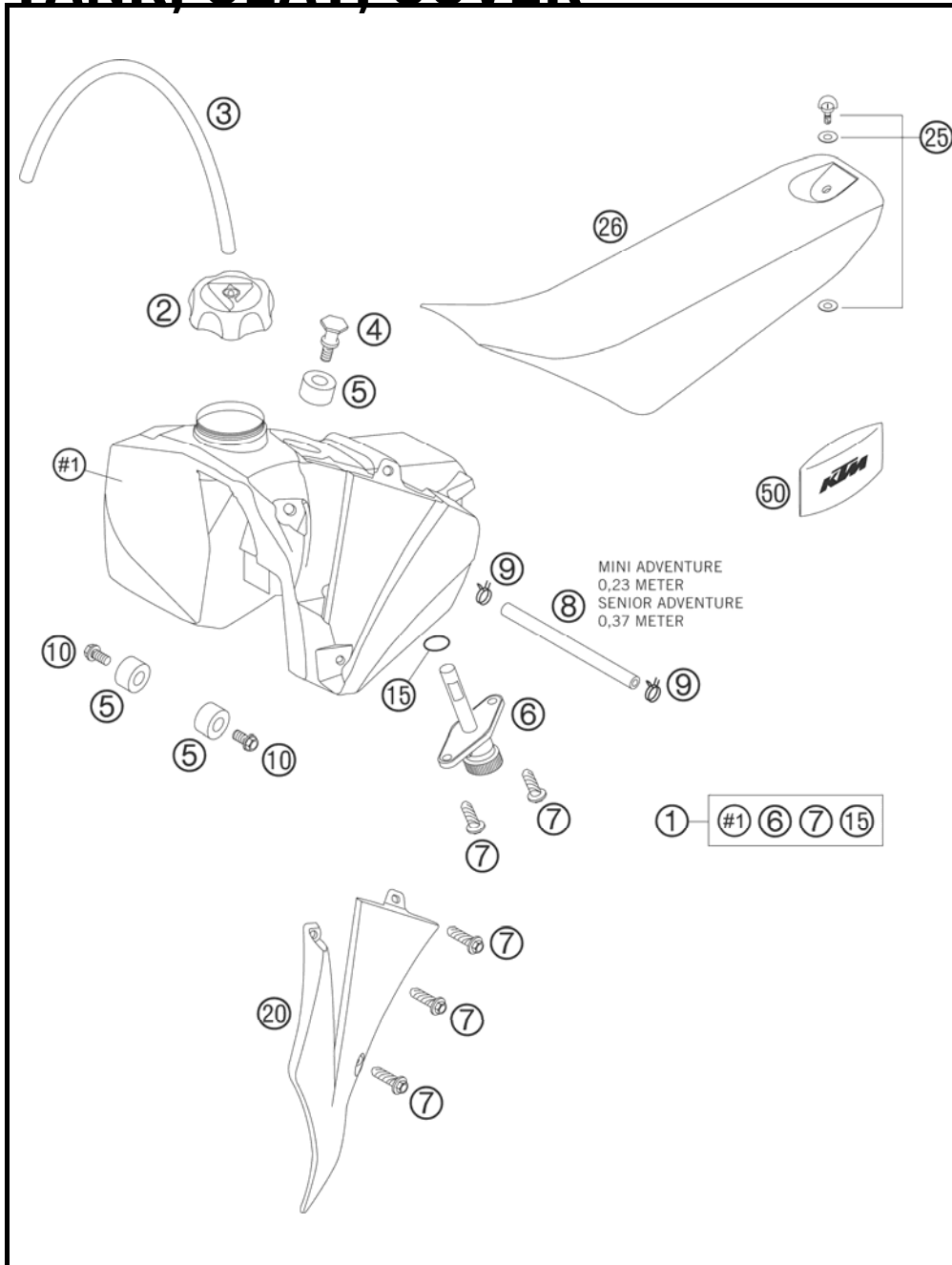
05450050 / C064500501

* NEW PART

X AS REQUIRED

TANK, SEAT, COVER

50 SENIOR ADVENTURE 2006

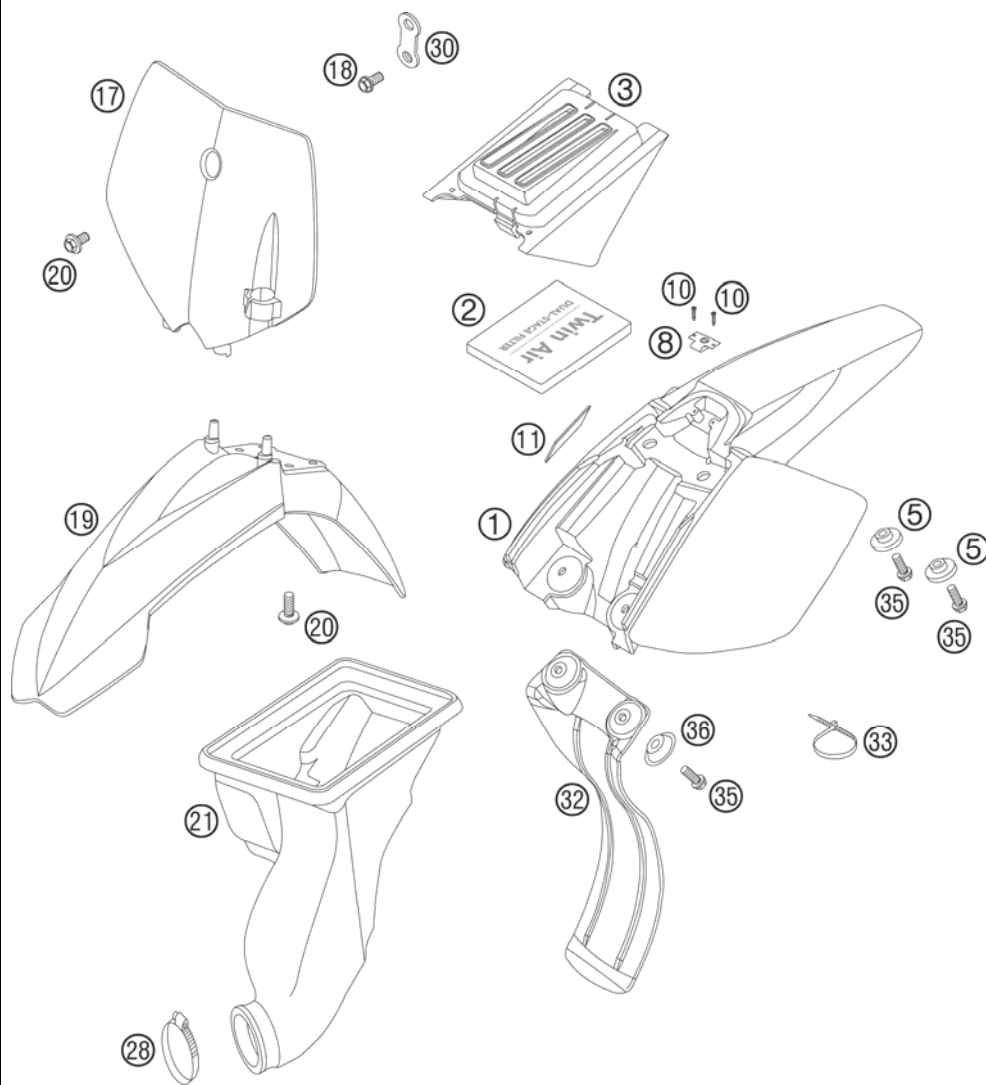


| FIG | PART NUMBER | DESCRIPTION | QTY |
|-----|---------------|--------------------------------|-----|
| 1 | 4510711300004 | FUEL TANK 50 MINI AC 2003 | 1 |
| 2 | 49007008044 | FILLER CAP CPL. SMALL | 1 |
| 3 | 31007107001 | PVC-HOSE 6X9 MM PER METER | x |
| 4 | 45107011000 | TANK SCREW MINI 50 2001 | 1 |
| 5 | 50307014000 | TANK ROLLER 12X26X12 '98 | 3 |
| 6 | 58507003000 | FUEL COCK CPL. SMALL RALLYE'96 | 1 |
| 7 | 0017060203 | EJOT PT SCREW K60X20 WS=6 | 8 |
| 8 | 58307016001 | FUEL HOSE VITON 6X1,5 PER/M | x |
| 9 | 45031005000 | YDNAC-CLAMP FUEL HOSE (8MM) | 2 |
| 10 | 0015060123 | HH COLLAR SCREW M 6X12 WS=8 | 2 |
| 15 | 55007006200 | O-RING 11X1,8 NBR 70 | 1 |
| 20 | 4510805000004 | SPOILER LEFT SX JUN/SEN 2001 | 1 |
| 20 | 4510805100004 | SPOILER RIGHT SX JUN/SEN 2001 | 1 |
| 25 | 45007040051 | QUICK RELEASE CPL. 50 SXR '97 | 1 |
| 26* | 45107040500 | SEAT 50 AC+LC 2005 | 1 |
| 50 | 45029099000 | TOOL SET 50 MINI, 60/65 SX | 1 |

05450070 / C064500701

* NEW PART

X AS REQUIRED



| FIG | PART NUMBER | DESCRIPTION | QTY |
|-----|---------------|--------------------------------|-----|
| 1 | 4510801300004 | REAR PART 50 MINI ORANGE 2003 | 1 |
| 2 | 45106015000 | AIR FILTER 134X96X15MM 01 | 1 |
| 3 | 45106012000 | FILTER COVER JUN/SEN 2001 | 1 |
| 5 | 45108013050 | BUSH F.REAR P. SX JUN/SEN 2001 | 2 |
| 8 | 45007040050 | QUICK RELEASE LATCHPLATE | 1 |
| 10 | 0981350163 | SHEET MET.SCR.DIN7981- 3,5X16 | 2 |
| 11 | 59003001099 | METAMOLL 90X45X3MM 03 | 1 |
| 17 | 4510800700004 | NUMBER PLATE SX JUN/SEN 2001 | 1 |
| 18 | 0015060103 | HH COLLAR SCREW M 6X10 WS=8 | 1 |
| 19 | 4510801000004 | FENDER FRONT SX JUN/SEN 2001 | 1 |
| 20 | 0014060103 | HH COLLAR SCREW M 6X10 WS=8 | 5 |
| 21 | 45106026100 | CARBUR.CONNEC.BOOT SXR SEN. 01 | 1 |
| 28 | 54305058000 | HOSE CLAMP 30-45 SGT | 1 |
| 30 | 45108007050 | BRACKET FOR NUMBER PLATE | 1 |
| 32 | 45106010100 | SPLASH PROTECTOR SENIOR 2001 | 1 |
| 33 | 44011076305 | CABLE TIE 300/4,8MM BLACK | 2 |
| 35 | 0015060163 | HH COLLAR SCREW M 6X16 WS=8 | 4 |
| 36 | 72210079000 | BUCKET | 2 |

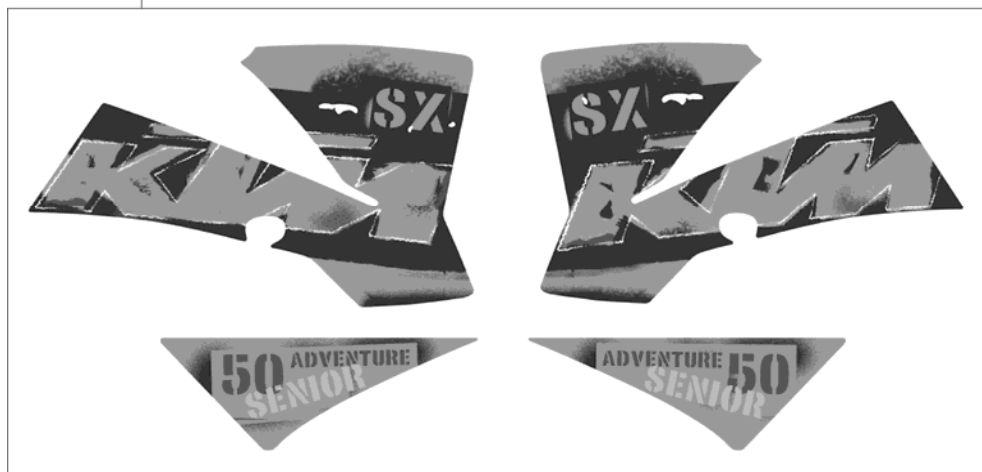
064500801 / C064500801

* NEW PART

X AS REQUIRED

| FIG | PART NUMBER | DESCRIPTION | QTY |
|-----|-------------|--------------------------------|-----|
| 1* | 45108199900 | DECAL SET CPL. 50 SEN. ADV. 06 | 1 |

①



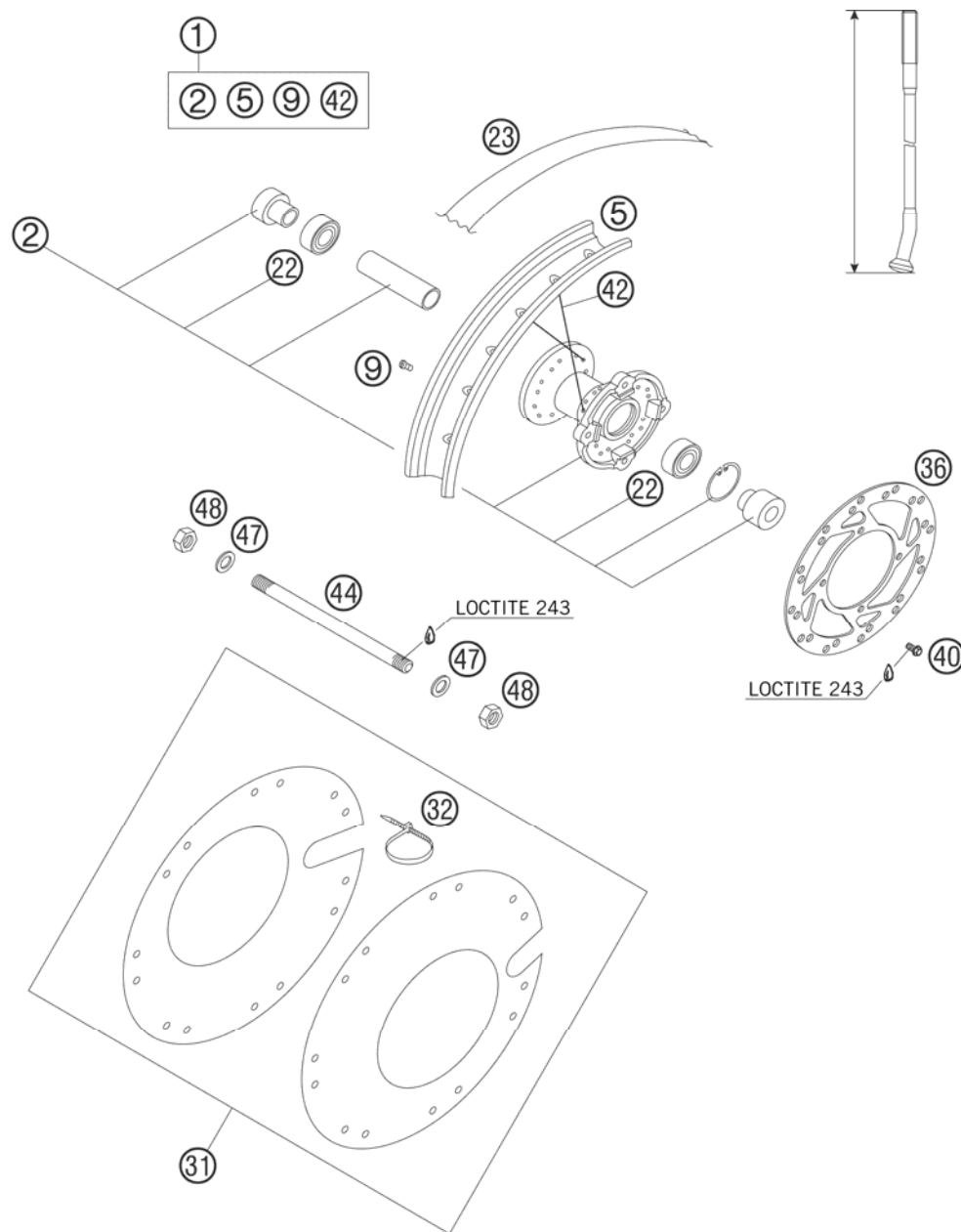
064500803 / C064500803

* NEW PART

X AS REQUIRED

FRONT WHEEL

50 SENIOR ADVENTURE 2006



| FIG | PART NUMBER | DESCRIPTION | QTY |
|-----|-------------|--------------------------------|-----|
| 1 | 45109001244 | FRONT WHEEL-SP CPL.1,5X12" ALU | 1 |
| 2 | 45109010044 | FRONT WHEEL HUB CPL. 2002 | 1 |
| 5 | 45109070000 | RIM FRONT 1,5X12" ALUMINIUM | 1 |
| 9 | 45109072000 | SPOKE NIPPLE 3MM | 28 |
| 22 | 0625062027 | BALL BEARING 6202 2RS1 C3 | 2 |
| 23 | 45109073100 | RIM BAND 12" | 1 |
| 31 | 45110092000 | WHEEL COVER CPL. 50SX LC 03 | 1 |
| 32 | 44011076305 | CABLE TIE 300/4,8MM BLACK | 7 |
| 36 | 45109060000 | BRAKE DISC FRONT JUN/SEN 02 | 1 |
| 40 | 59009062013 | SPECIAL SCREW M6X13 WS=8 10.9 | 4 |
| 42 | 45109071129 | SPOKE 3X124X5MM-110° 02 | 28 |
| 44 | 46010085000 | AXLE 207MM M12X1 | 1 |
| 47 | 0125120003 | FLAT WASHER DIN0125-A13 | 2 |
| 48 | 0934120103 | HEXAGON NUT DIN0934-M12X1 | 2 |

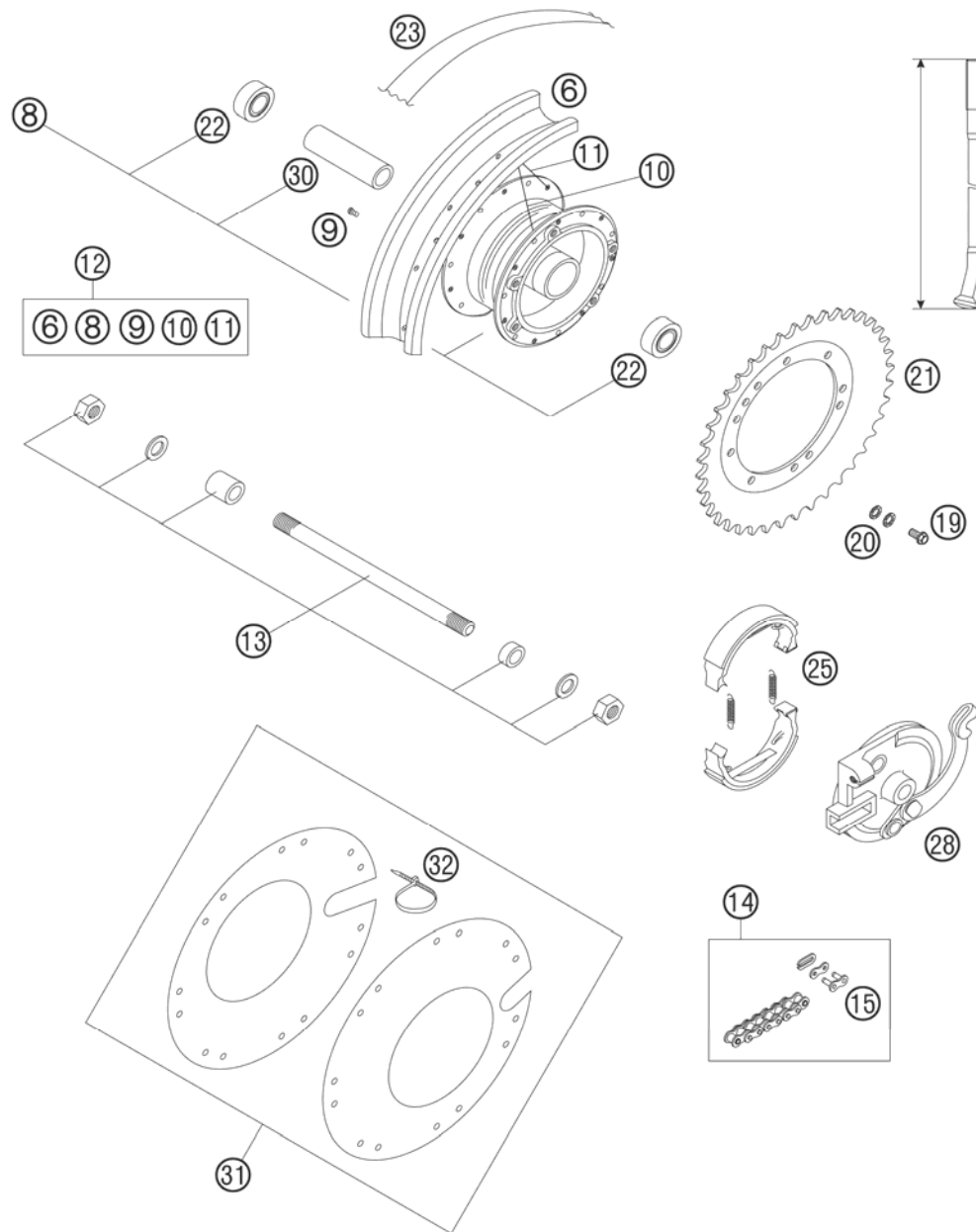
05450091 / C064500901

* NEW PART

X AS REQUIRED

REAR WHEEL

50 SENIOR ADVENTURE 2006

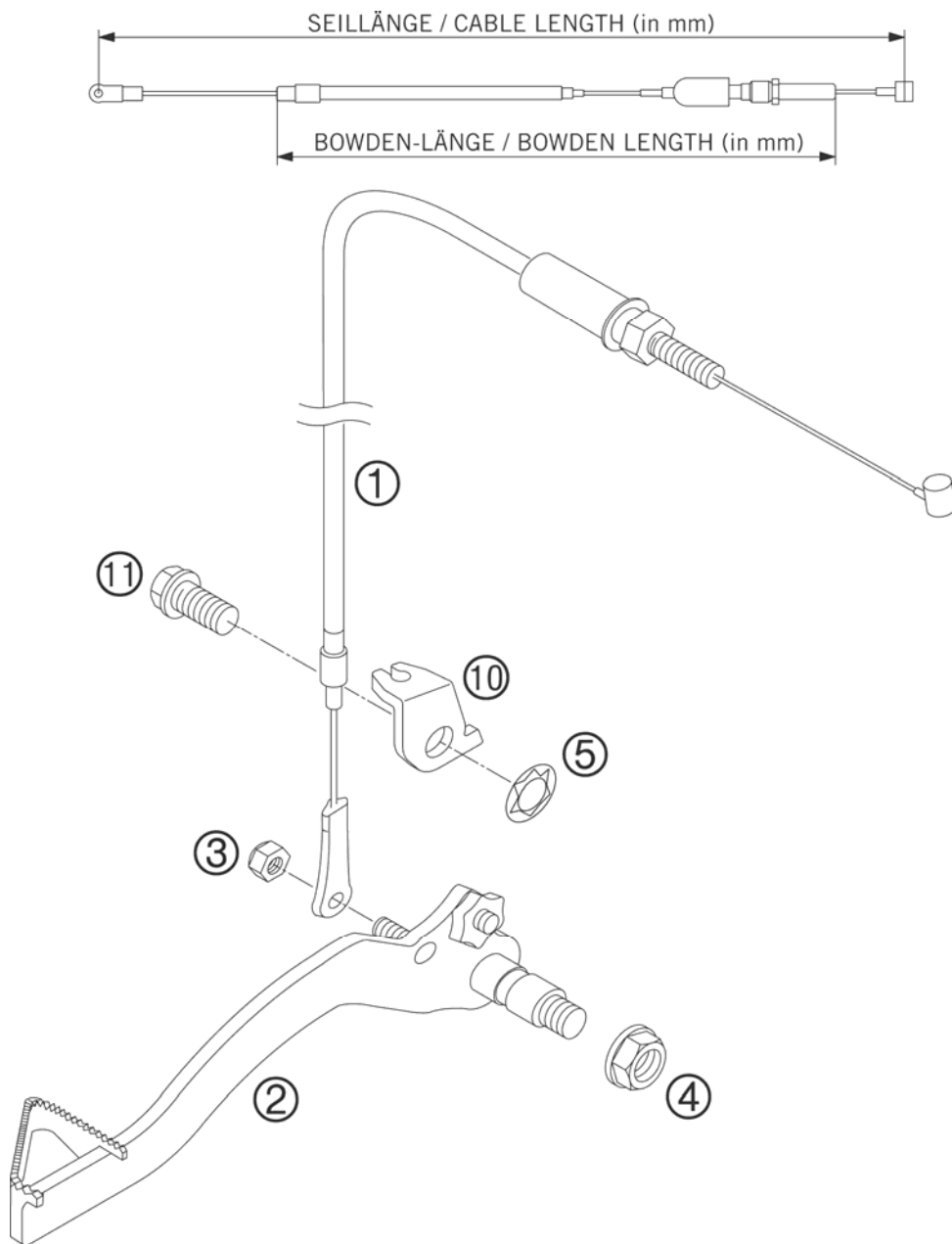


| FIG | PART NUMBER | DESCRIPTION | QTY |
|-----|-------------|---------------------------------------|-----|
| 6 | 45110070100 | RIM REAR 1,6X10" ALU | 1 |
| 8 | 45110010244 | REAR WHEEL HUB CPL. 2004 | 1 |
| 9 | 45109072100 | SPOKE NIPPLE M 3,97 | 28 |
| 10 | 45110071072 | SPOKE M3,97X72X70° 04 | 14 |
| 11 | 45110171072 | SPOKE M3,97X72X115° 04 | 14 |
| 12 | 45110001444 | REAR WHEEL-SP CPL.1,60X10" ALU | 1 |
| 13 | 45010081000 | AXLE REAR CPL. L=210MM | 1 |
| 14 | 45110165104 | CHAIN 1/2X3/16" WITH M.LINK 104 ROLLS | 1 |
| 15 | 45110166000 | CONNECTING LINK 50 SX | 1 |
| 19 | 0015060163 | HH COLLAR SCREW M 6X16 WS=8 | 5 |
| 20 | 50233041000 | PAIR OF WASHERS M 6 NORDLOCK | 5 |
| 21 | 45010051044 | SPROCKET 44-T | x |
| 21 | 45010051045 | SPROCKET 45-T | x |
| 21 | 45010051046 | SPROCKET 46-T | x |
| 21 | 45010051048 | SPROCKET 48-T | 1 |
| 22 | 0625060016 | GROOV.BALL BEAR. 6001.2RSR C3 | 2 |
| 23 | 45009073000 | RIM BAND 10" 22MM | 1 |
| 25 | 45009035000 | BRAKE SHOES GARN. | 1 |
| 28 | 45010030000 | SUPPORTING PLATE CPL. REAR | 1 |
| 30 | 45010011000 | DISTANCE TUBE REAR | 1 |
| 31 | 45110092000 | WHEEL COVER CPL. 50SX LC 03 | 1 |
| 32 | 44011076305 | CABLE TIE 300/4,8MM BLACK | 7 |

05450100 / C064501001

* NEW PART

X AS REQUIRED



| FIG | PART NUMBER | DESCRIPTION | QTY |
|-----|-------------|-------------------------------------------|-----|
| 1 | 45113070200 | FOOT BRAKE CABLE REAR 810/660 SENIOR ADV. | 1 |
| 2 | 45113050044 | FOOT BRAKE LEVER CPL. 2001 | 1 |
| 3 | 0985050003 | SELF LOCKING NUT DIN0985-M 5 | 1 |
| 4 | 54310086200 | SELF LOCKING NUT M8 10.9 | 1 |
| 5 | 0797080003 | TOOTHLOCK WASHER DIN6797-J 8,4 | 1 |
| 10 | 45113052000 | BRAKE THRUST BEARING MINI 2001 | 1 |
| 11 | 0015080163 | HH COLLAR SCREW M 8X16 WS=10 | 1 |

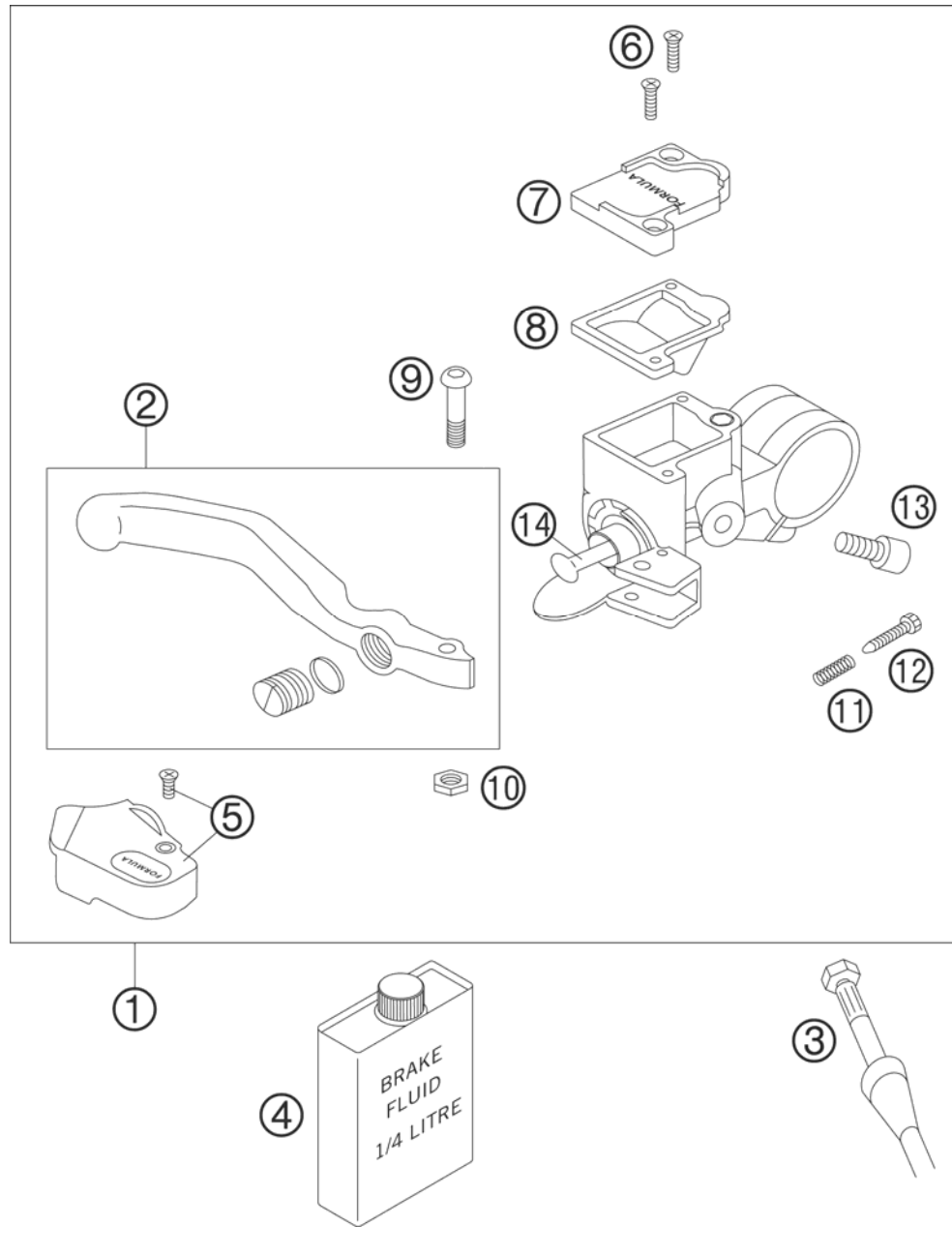
05450120 / C064501201

* NEW PART

X AS REQUIRED

HAND BRAKE CYLINDER

50 SENIOR ADVENTURE 2006



| FIG | PART NUMBER | DESCRIPTION | QTY |
|-----|-------------|--------------------------------|-----|
| 1 | 45113101044 | HAND BRAKE CYLIND.CPL.50 LC 02 | 1 |
| 2 | 45113002000 | HANDBRAKE LEVER CPL. R/S 02 | 1 |
| 3 | 45113012100 | BRAKE HOSE FR. SX SEN. LC 2002 | 1 |
| 4 | 306054 | BRAKE FLUID DOT 5.1 | 1 |
| 5 | 45113004000 | PROT.CAP HAND BRAKE CYL. 50 LC | 1 |
| 6 | 0966030083 | OVAL HEAD SCREW DIN0966-M 3X8 | 2 |
| 7 | 45113003000 | HAND BRAKE CYLINDER COVER 04 | 1 |
| 8 | 45113009000 | GASKET HAND BRAKE CYLINDER 04 | 1 |
| 9 | 45113006000 | SPECIAL-AH SCREW M 5X18 | 1 |
| 10 | 45113013000 | NUT M5 DIN 6334 | 1 |
| 11 | 45113021000 | SPRING FOR HAND BRAKE LEVER 04 | 1 |
| 12 | 45113007000 | ADJUSTING SCREW M 3X16 04 | 1 |
| 13 | 0912050103 | AH SCREW DIN0912-M 5X10 | 1 |
| 14 | 45113008000 | REP.KIT PISTON FRONT 50 04 | 1 |

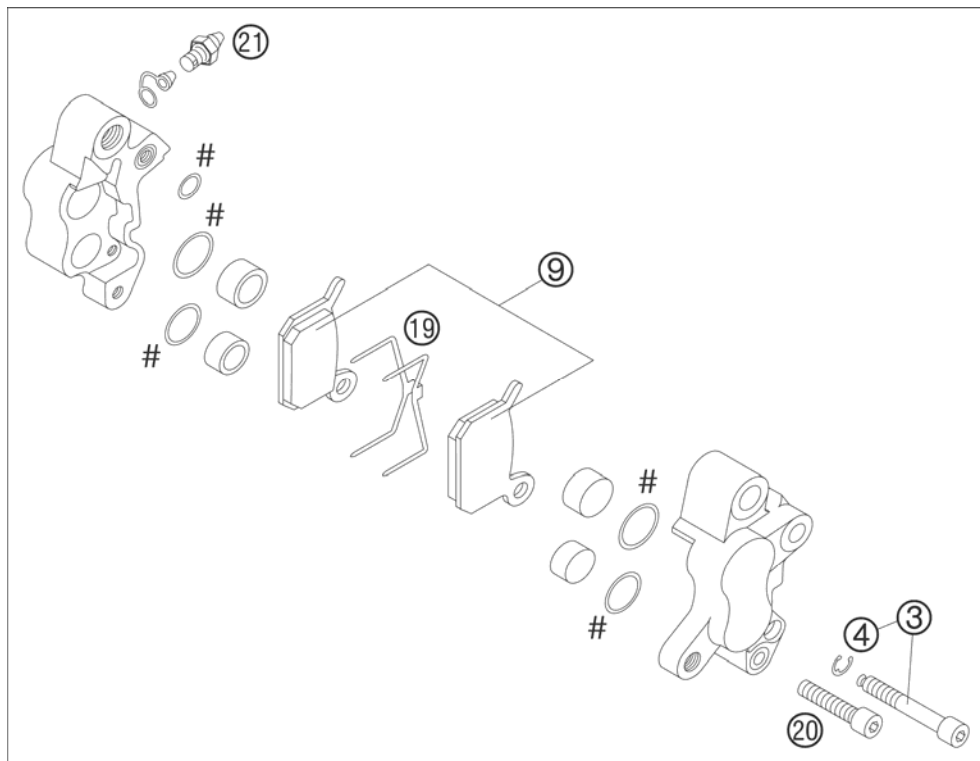
05450130 / C064501300

* NEW PART

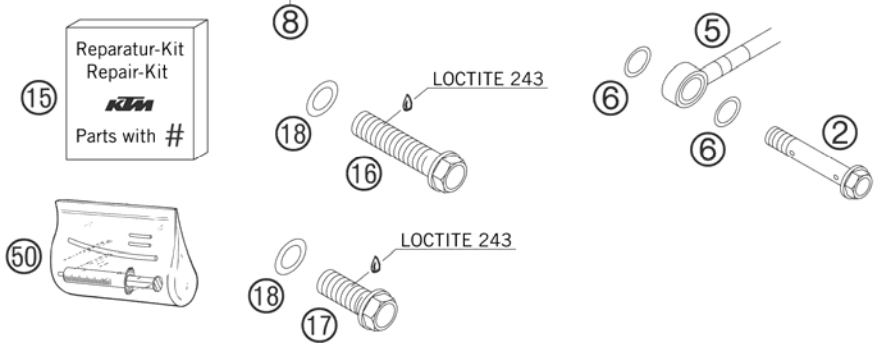
X AS REQUIRED

BRAKE CALIPER FRONT

50 SENIOR ADVENTURE 2006



| FIG | PART NUMBER | DESCRIPTION | QTY |
|-----|-------------|--------------------------------|-----|
| 2 | 45113025000 | HOLLOW SCREW M6X34 50 LC 2002 | 1 |
| 3 | 45113125000 | AH SCREW+CIRCLIP LC 50 02 | 1 |
| 4 | 0799025000 | TAB WASHER DIN6799 RS2,5 | 1 |
| 5 | 45113012100 | BRAKE HOSE FR. SX SEN. LC 2002 | 1 |
| 6 | 0770080019 | O-RING 8,00X1,00 EPDM | 2 |
| 8 | 45113015000 | BRAKE CALIPER CPL.FR. 50 LC 02 | 1 |
| 9 | 45113030000 | BRAKE PAD SET 50 LC 2002 | 1 |
| 15 | 45113019000 | REP.KIT SEAL RING 50LC 2002 | 1 |
| 16* | 0015080403 | HH COLLAR SCREW M 8X40 WS=10 | 1 |
| 17* | 0015080253 | HH COLLAR SCREW M 8X25 WS=10 | 1 |
| 18* | 0125080003 | WASHER DIN0125-A 8,4 | 2 |
| 19 | 45113018000 | RETAINING SPRING 50 LC | 1 |
| 20 | 0912050203 | AH SCREW DIN0912-M 5X20 | 1 |
| 21 | 45113020000 | BREATHER SCREW 50 2002 | 1 |
| 50 | 45119050000 | BLEEDER INJECTION-SET 50-65 | 1 |



064501302 / C064501301

* NEW PART

X AS REQUIRED



KTM Group Partner



3CF6001F2EN



KTM-Sportmotorcycle AG
A-5230 Mattighofen
www.ktm.at

Art.Nr.: 3CF6001F2EN 6/2005