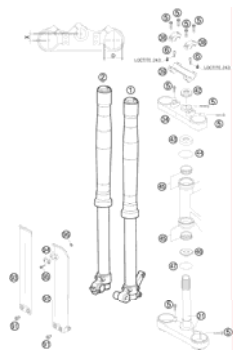
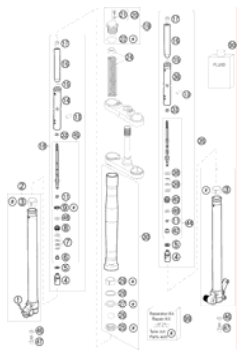
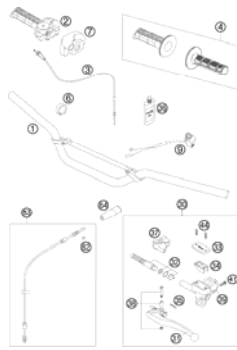

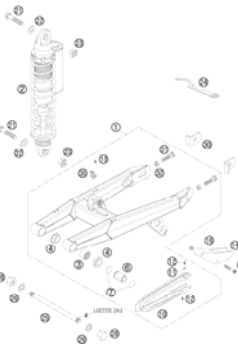
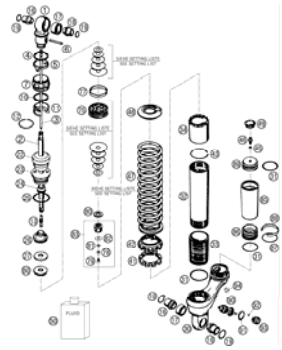

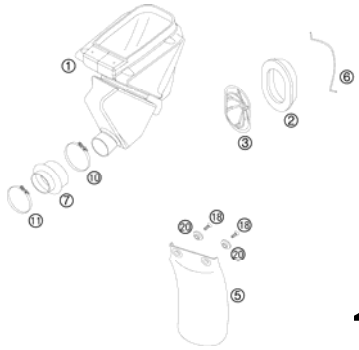
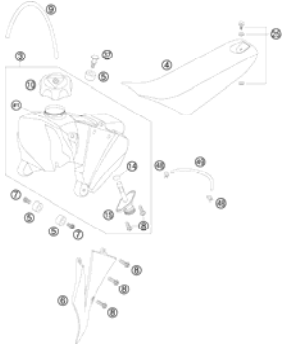
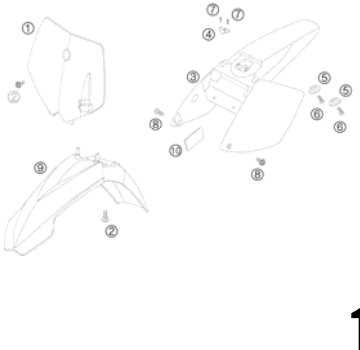
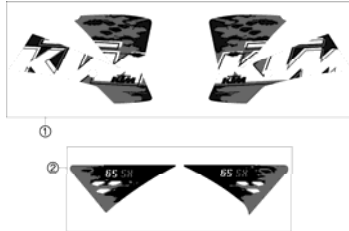
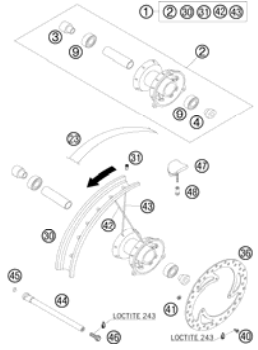


SPARE PARTS MANUAL: CHASSIS

ART.NO.: 3CF6001H6EN

ENGLISH



<p>FRONT FORK</p>  <p>3</p>	<p>FRONT FORK DISASSEMBLED</p>  <p>4</p>	<p>HANDLEBAR, CONTROLS</p>  <p>6</p>	<p>FRAME, SUBFRAME</p>  <p>7</p>
<p>SWING ARM</p>  <p>8</p>	<p>MONOSHOCK DISASSEMBLED</p>  <p>9</p>	<p>EXHAUST SYSTEM</p>  <p>11</p>	<p>AIR FILTER BOX</p>  <p>12</p>
<p>TANK, SEAT, COVER</p>  <p>13</p>	<p>MASK, FENDERS</p>  <p>14</p>	<p>DECAL</p>  <p>15</p>	<p>FRONT WHEEL</p>  <p>16</p>

REAR WHEEL

17

HAND BRAKE CYLINDER

18

REAR BRAKE CONTROL

19

BRAKE CALIPER FRONT

20

BRAKE CALIPER REAR

21

ACCESSORIES KIT

22

All information contained is without obligation. KTM-Sportmotorcycle AG particularly reserves the right to modify any equipment, technical specifications, prices, colors, shapes, materials, services, service work, constructions, equipment and the like so as to adapt them to local conditions or to cancel any of the above items, all without previous announcement and without giving reasons. KTM may stop manufacturing certain models without previous notice. KTM shall not be held liable for any deviations of availability and/or ability to deliver, illustrations, descriptions, printing and/or other errors. The illustrated models partly contain extra equipment, which is not applied to standard models. © by KTM-SPORTMOTORCYCLE AG, Mattighofen AUSTRIA; All rights reserved; Reprint, also in extracts, with written allowance of KTM-SPORTMOTORCYCLE AG, Mattighofen only.

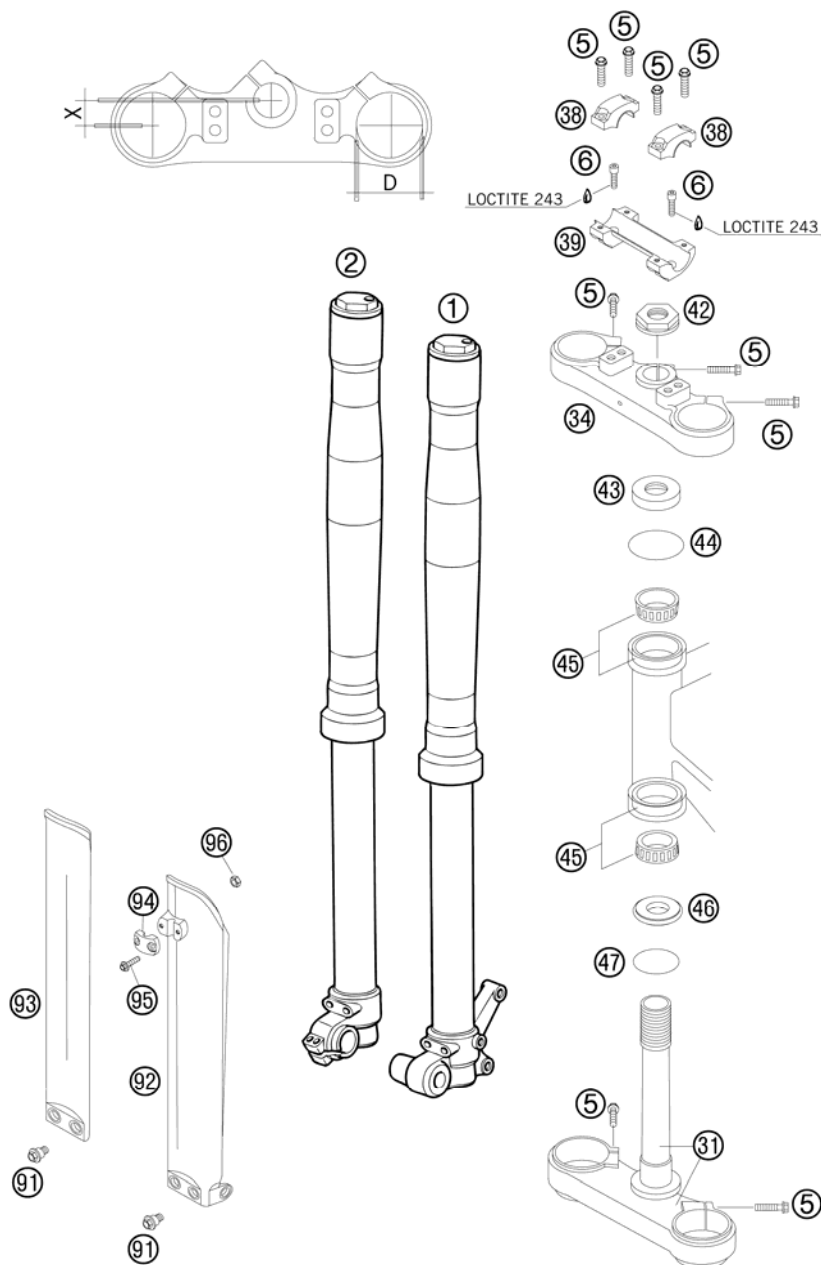


FIG	PART NUMBER	DESCRIPTION	QTY
1	7631210/F	FORK LEG L/S USD 35	1
2	7631209/F	FORK LEG R/S USD 35	1
5	0025080306	HH COLLAR SCREW M8X30 TX40	9
6	0912100250	AH SCREW DIN6912-M10X25,10.9,L	2
31	77051116	BOT.TRIPLE CLAMP + FORK TUBE	1
34	7501478	TOP TRIPLE CLAMP	1
38	50301038000	HANDLEBAR CLAMP D=22MM 2001	2
39	59001039000	HANDLEBAR SUPPORT 22MM 2T 2000	1
42	59030029000	HH NUT M20X1,5 WS=27 RIGHT	1
43	49001086000	COVERING CAP	1
44	0770021300	O-RING 40,94X2,62 NBR70	1
45	49001081000	TAPERED ROLLER BEARING 32004X	2
46	46001086000	PROTECTION RING 20,1X39X5	1
47	0770360030	O-RING 36,00X3,00 NBR	1
91	59001092050	SPECIAL SCREW M6X12,5 WS=8	6
92	46101092000	FORK PROTECTION L/S 65SX 2002	1
93	46101093000	FORK PROTECTION R/S 65SX 2002	1
94	54601085000	BRAKE HOSE CLAMP MARZOCCHI'95	1
95	0025050166	HH COLLAR SCREW M5X16 TX30	2
96	0985050003	SELF LOCKING NUT DIN0985-M 5	2

084610110 / C084610112

* NEW PART

X AS REQUIRED

FRONT FORK DISASSEMBLED

65 SX 2008

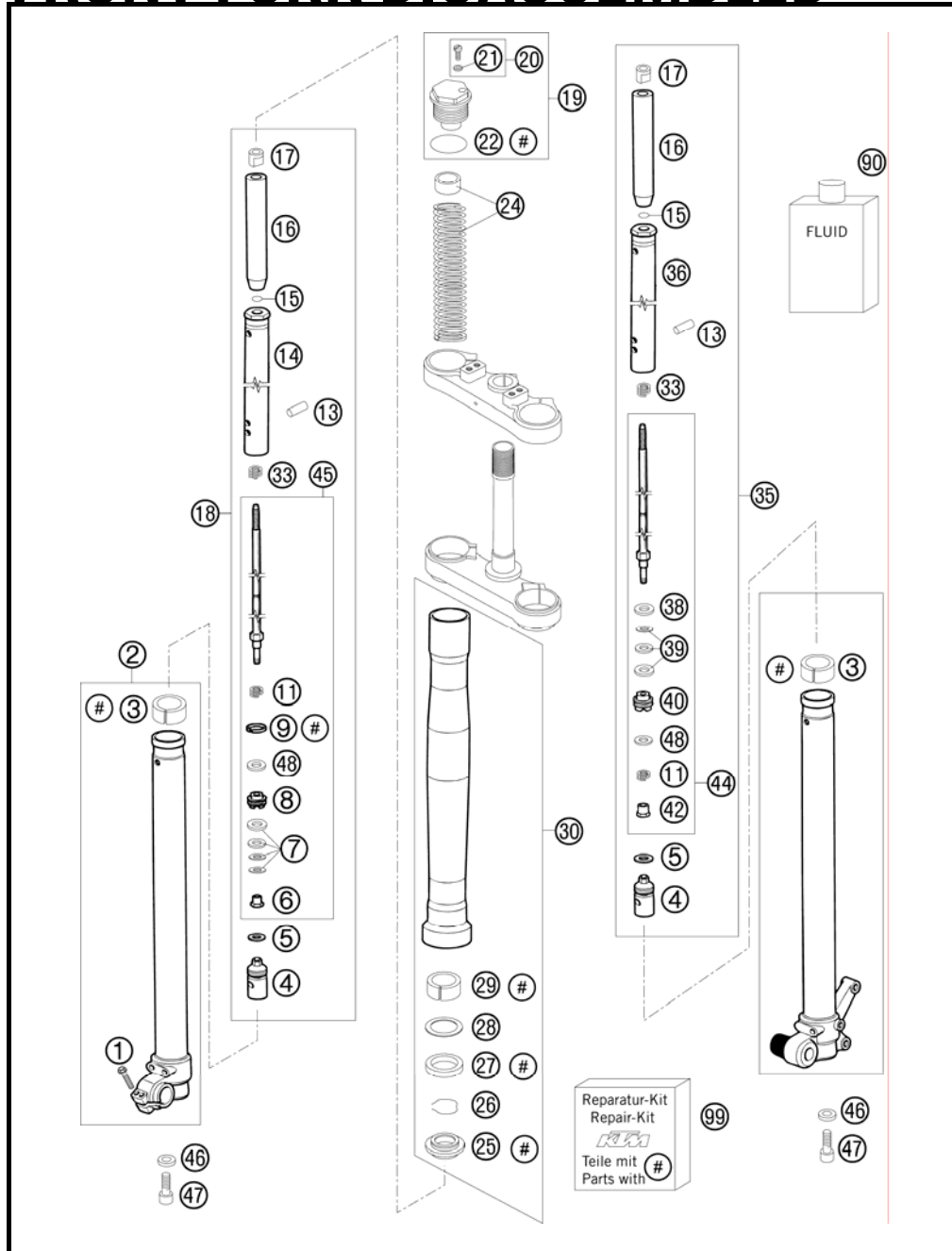


FIG	PART NUMBER	DESCRIPTION	QTY
1*	0025060306	HH COLLAR SCREW M6X30 TX30	2
2	7819139/C	SLIDER + AXLE CLAMP CPL. R/S	1
3	7538029	GUIDE RING D=35	2
4	7717065/R	FOOT VALVE	2
5	7528005	O-RING D=20,3	2
6	7521092/D	SPECIAL NUT M6X1 WITH STEP	1
7	7517217	REED VALVE 22X8,1X0,1	4
8	7530097/B	PISTON REBOUND D=26	1
9	7524163	PISTON RING D=26	1
11	75141087	LOWER REBOUND SPRING	2
13	75321033	PIN 8X30	2
14	75181140/R	TUBE BODY R/S	1
15	7523224	STOP RING 10X1	2
16	75181153	GUIDE BUSH 6,4X12X12	2
17	7521005	SPECIAL NUT	2
18	78031082	REBOUND CPL.	1
19	7701196	PLUG CPL.	2
20	7850208AR	LENTIL HEAD SCREW M4X6	2
21	7528180	O-RING D=3,69, S=1,78	2
22	7528008	O-RING D=34,6, S=1,78	2
24	7850728	SPRINGS + PRELOAD SLEEVES KIT	1
25	7533167	DUST CAP	2
26	7523236	LOCK WASHER D=51,5	2
27	7528034	OIL SEAL 35X47X10	2
28	7539032AA	WASHER 36X47X3	2
29	7538038/A	GUIDE RING 35X15	2
30	7760069FN/C	OUTER TUBE CPL.	2
33	7514077	TOP REBOUND SPRING	2
35	78031083	COMPRESSION CPL.	1
36	75181139/R	TUBE BODY L/S	1
38	7535099	COMPRESSION DAMPING SHIM	1
39	7517028	SHIM 8,1X23X0,2	1
39	7517039	SHIM 8,1X22X0,2	1
39	7517060	SHIM 8,1X22X0,3	1
40	7530090/B	PISTON COMPRESSION D=26	1
42	7521147/A	SPECIAL NUT M6X1 WITH STEP	1

084610130 / C084610130

* NEW PART

X AS REQUIRED



FRONT FORK DISASSEMBLED

65 SX 2008

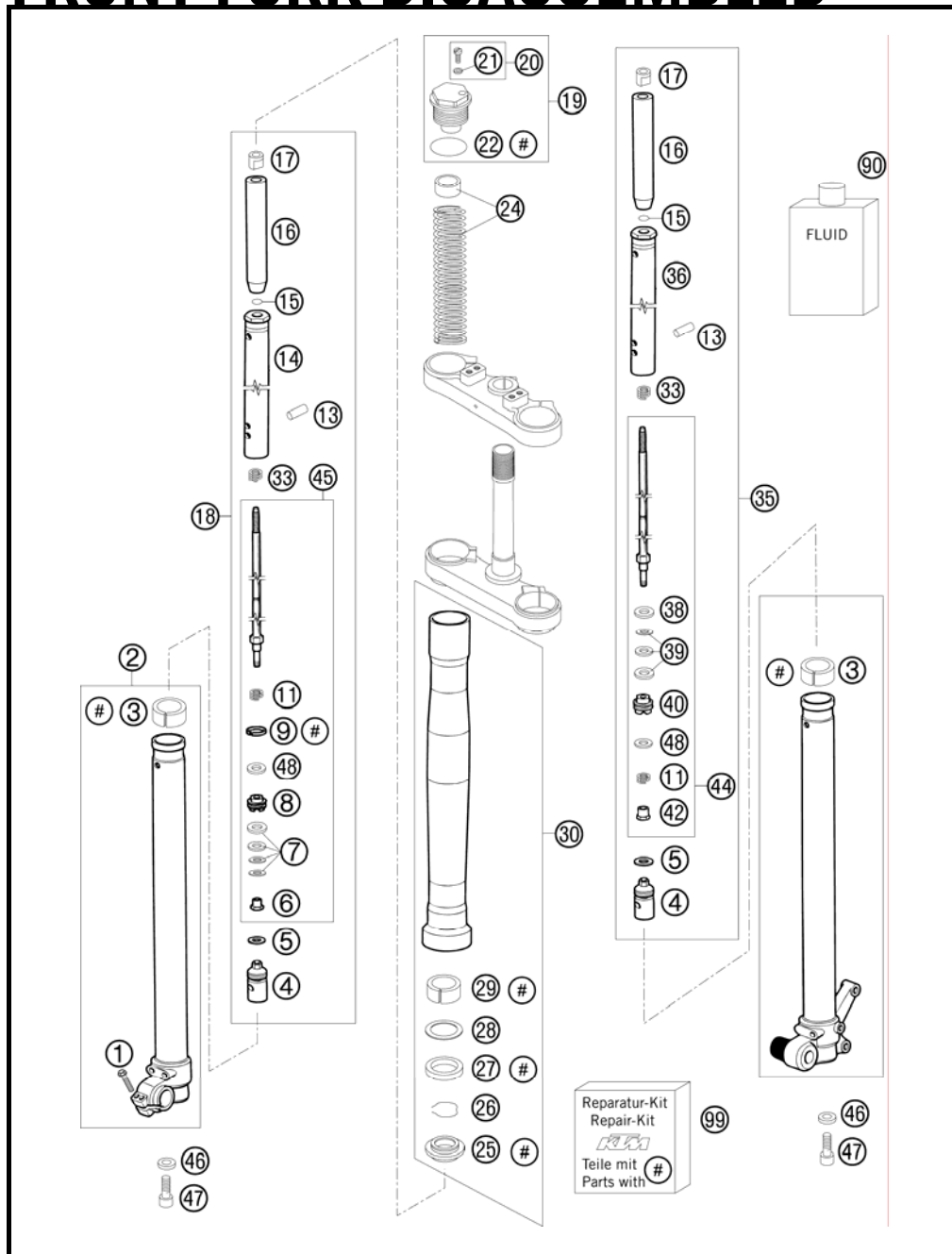


FIG	PART NUMBER	DESCRIPTION	QTY
43	7819140/C	SLIDER + AXLE CLAMP CPL. L/S	1
44	7309651/R	COMPRESSION CARTRIDGE CPL.	1
45	7309652/R	* REBOUND CARTRIDGE CPL.	1
46	7522061	SHIM 8X12X1,5	2
47	0912080253	AH SCREW DIN0912-M 8X25	2
48	7517044	SHIM 8,1X23X0,3	2
90	7550013	FORKOIL EBH16 SAE 7.5	1
99	7850731/C	REPAIR-KIT USD 35	1

084610130 / C084610130

* NEW PART

X AS REQUIRED

HANDLEBAR, CONTROLS

65 SX 2008

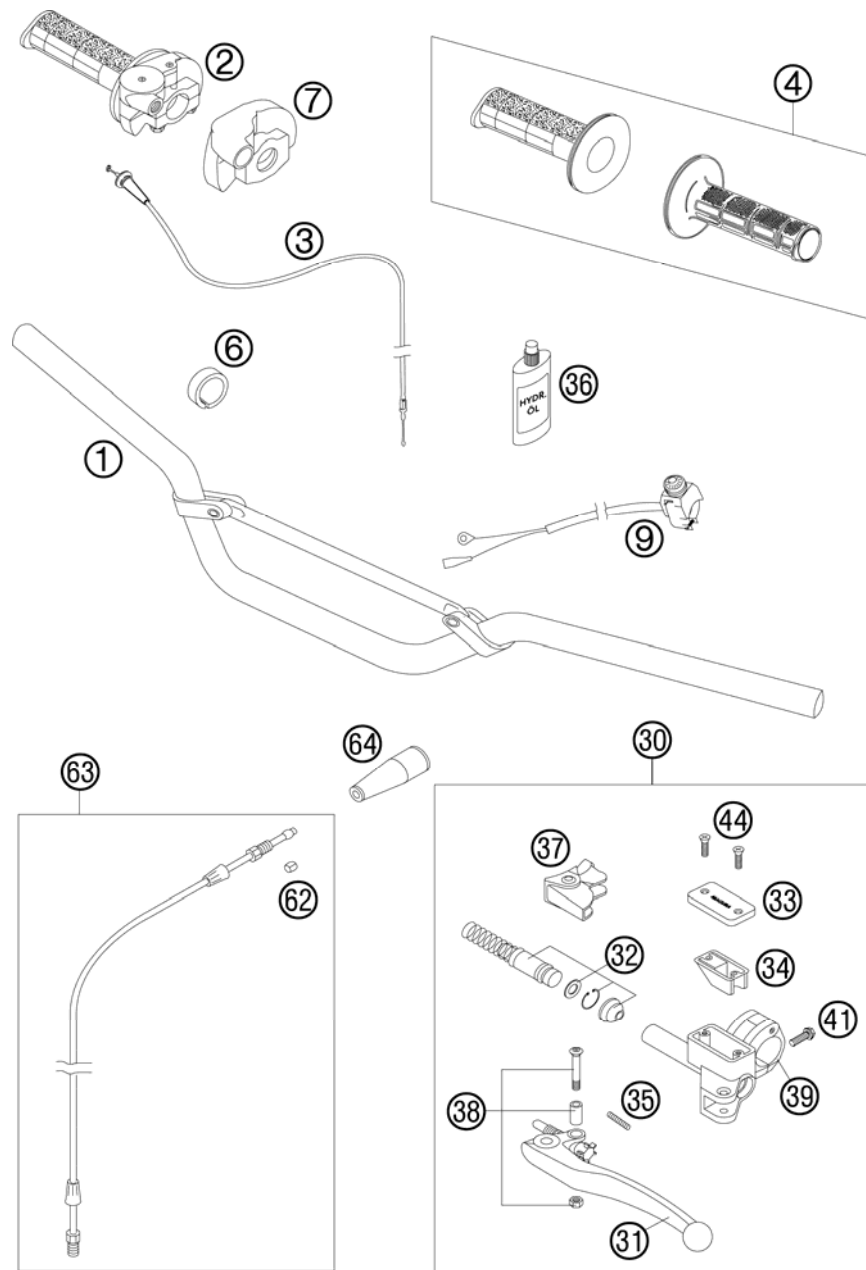


FIG	PART NUMBER	DESCRIPTION	QTY
1	46102001200	HANDLEBAR 65 SX 2005	1
2	46102010000	THROTTLE GRIP W.COVER 65 SX 02	1
3	46102091000	THROTTLE CABLE DOMINO 65 SX 02	1
4	50202021000	GRIPP SET	1
6	46002012000	SPACER BUSHING 21,5X28X7,5	1
7	50302020000	PROTECTION COVER '97	1
9	50311089200	SHORT CIRCUIT BUTTON 02	1
30	46102030100	MASTER CYLINDER CPL. D=9MM 05	1
31	54602031000	CLUTCH LEVER SHORT CPL. 2003	1
31	59002031000	CLUTCH LEVER LONG CPL. 2003	x
32	59002032100	REP.KIT PISTON 9,0MM RAC. 2004	1
33	50302033100	COVER HYD.CLUTCH 2T 2000	1
34	50302034000	RUBBER FOR RESERVOIR '98	1
35	59002035000	SPRING FOR CLUTCH LEVER 03	1
36	50302036200	OIL FOR HYD. CLUTCH 75ML	1
37	50302037000	PROTECT.CAP FOR LEVER PERCH'98	1
38	50302038000	LEVER SCREW CPL. 125-200 '98	1
39	50302030150	CLAMP WITH PIN 2000	1
41*	0025060206	HH COLLAR SCREW M6X20 TX30	1
44	0965040123	FLAT HEAD SCREW DIN0965-M 4X12	2
62	50332063050	SELF CUTTING RING HYDR.PIPE	x
63	46132063000	PIPE KIT FOR HYDR.CLUTCH 65 SX	1
64	54002016000	PROTECTION CAP	1

084610210 / C084610210

* NEW PART

X AS REQUIRED

FRAME, SUBFRAME

65 SX 2008

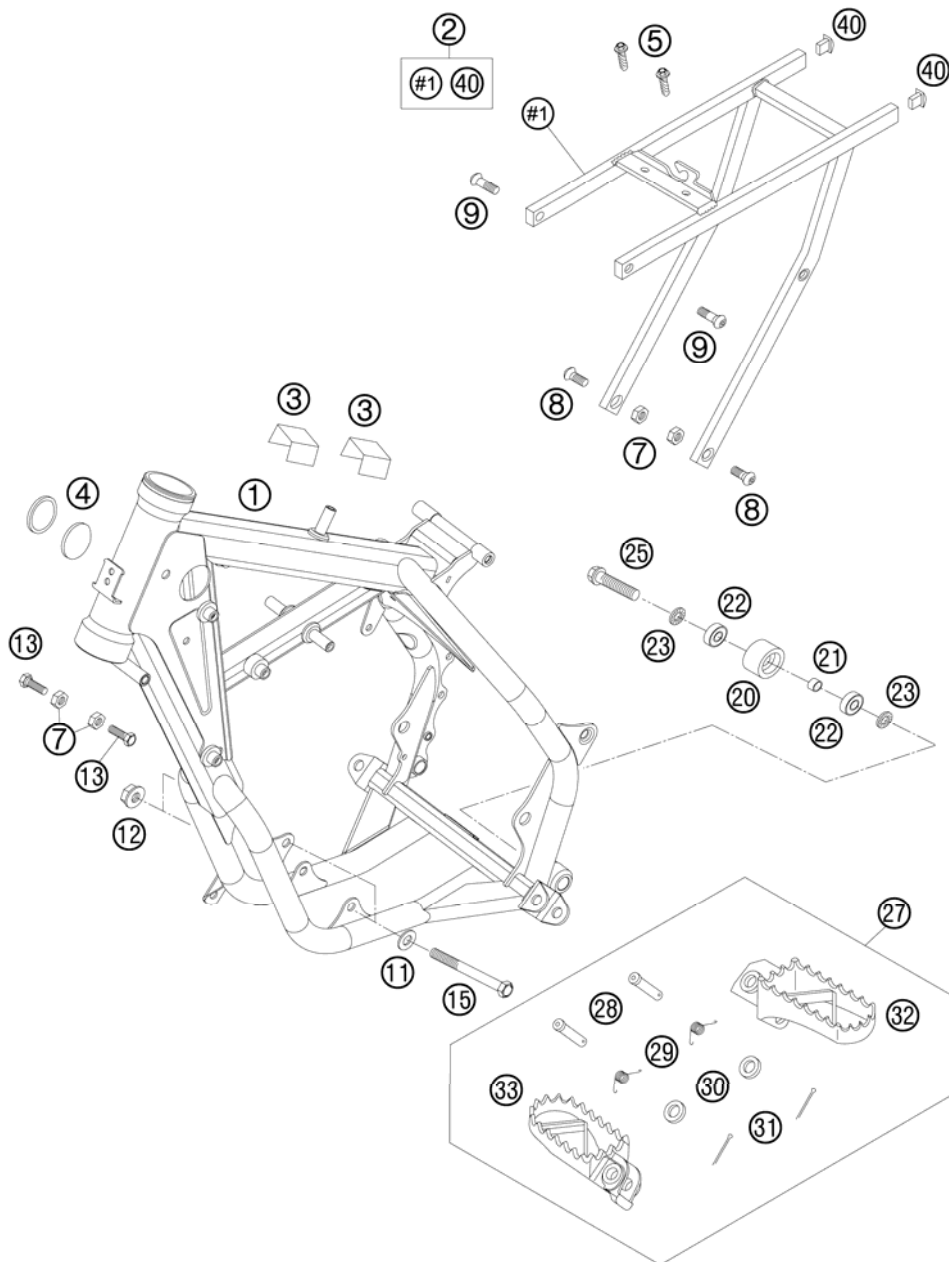


FIG	PART NUMBER	DESCRIPTION	QTY
1	4610300120030	FRAME 65 SX "MD6R" bl. 2007	1
2	46103002044	SUB FRAME 65 SX 2002	1
3	58711054050	METAMOLL FOR BATTERY BRACKET	2
4	54606004000	PLUG 37MM	2
5	0017060203	EJOT PT SCREW K60X20 WS=6	2
7	0934080003	HEXAGON NUT DIN0934-M 8	4
8	54610052000	SPROCKET SCREW-AH M8X20 WS=6	2
9	54510052100	SPROCKET SCREW-AH M8X26 WS=6	2
11	0125080003	WASHER DIN0125-A 8,4	2
12	54310086200	SELF LOCKING NUT M8 10.9	2
13	59001037000	SPECIAL SCREW M8X26 WS=10	2
15	0931080805	HH SCREW DIN 931 M8X80 10.9	2
20	50203053000	CHAIN ROLL D=30MM	1
21	74003021000	BUSHING 8.2 X 12 X 6	1
22	0625006087	GROOVED BALL BEAR. 608 2RS C3	2
23	36003014000	LOCK WASHER 8MM	2
25*	0025080306	HH COLLAR SCREW M8X30 TX40	1
27	4610304013390A	FOOTREST L.+R. CPL. 65 SX 03	x
28	54803044000	BOLT FOR FOOT PED 03	2
29	54603041000	FOOTREST SPRING L/S & R/S	2
30	0125100003	WASHER DIN0125-A10,5	2
31	0094032253	PIN DIN0094-3,2X25 STEEL	2
32	5460304010090	FOOT PED L/S SILVER '98	1
33	59003041050	FOOT PED R/S EXC SILVER 2000	1
40	50303002182	PLUG-IN CAP SW14 99	2

084610311 / C084610311

* NEW PART

X AS REQUIRED

SWING ARM

65 SX 2008

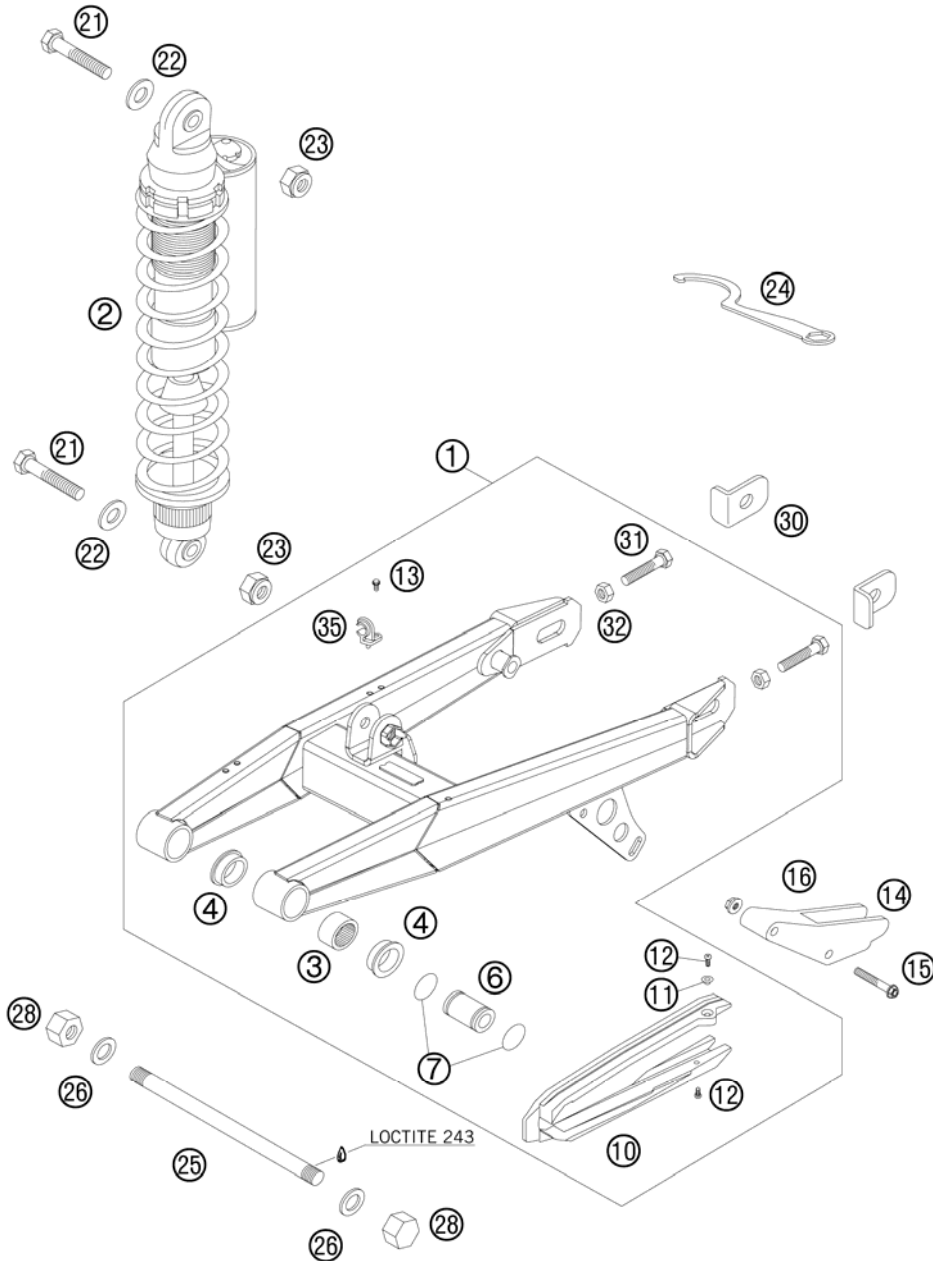


FIG	PART NUMBER	DESCRIPTION	QTY
1*	46104030144	SWING ARM CPL. 65 SX 2008	1
2*	03187D03	MONOSHOCK 65SX 2008	1
3	54603097000	NEEDLE BUSH HK 2016	2
4	46004030070	SPACER BUSHING 20X26X30X9,7	4
6	46004030071	BUSHING BOX 12X20X36,5	2
7	0770160021	O-RING 16,00X2,00 VITON	4
10	46104066000	CHAIN SLID. GUARD FRO. 65SX 02	1
11	46104066050	BUSH FOR CHAIN SLIDER GUARD 02	1
12	0010050103	SPECIAL SCREW M 5,0X10	2
13	0009050103	SPECIAL SCREW M 5,0X10	2
14	46007066000	CHAIN GUIDE REAR 60/65 '98	1
15*	0025060406	HH COLLAR SCREW M6X40 TX30	2
16	56509064100	SELF LOCKING NUT M6 10.9	2
21	0931100453	HH SCREW DIN0931-M10X45	2
22	0125100003	WASHER DIN0125-A10,5	2
23	54310086100	SELF LOCKING NUT M10 CU WS=14	2
24	46012024000	HOOK WRENCH FOR SHOCK ABSORBER	1
25	46004037000	SWINGARM BOLT 201MM M12X1	1
26	0125120003	FLAT WASHER DIN0125-A13	2
28	0917120103	NUT DIN917-M12X1	2
30	46010083000	CHAIN ADJUSTER 60/65 '98	2
31*	50203030090	HH SCREW M8X40 WS=10	2
32*	0934080003	HEXAGON NUT DIN0934-M 8	2
35	54611076100	RETAIN.CLAMP FOR BRAKE HOSE'96	2

084610411 / C084610411

* NEW PART

X AS REQUIRED

MONOSHOCK DISASSEMBLED

65 SX 2008

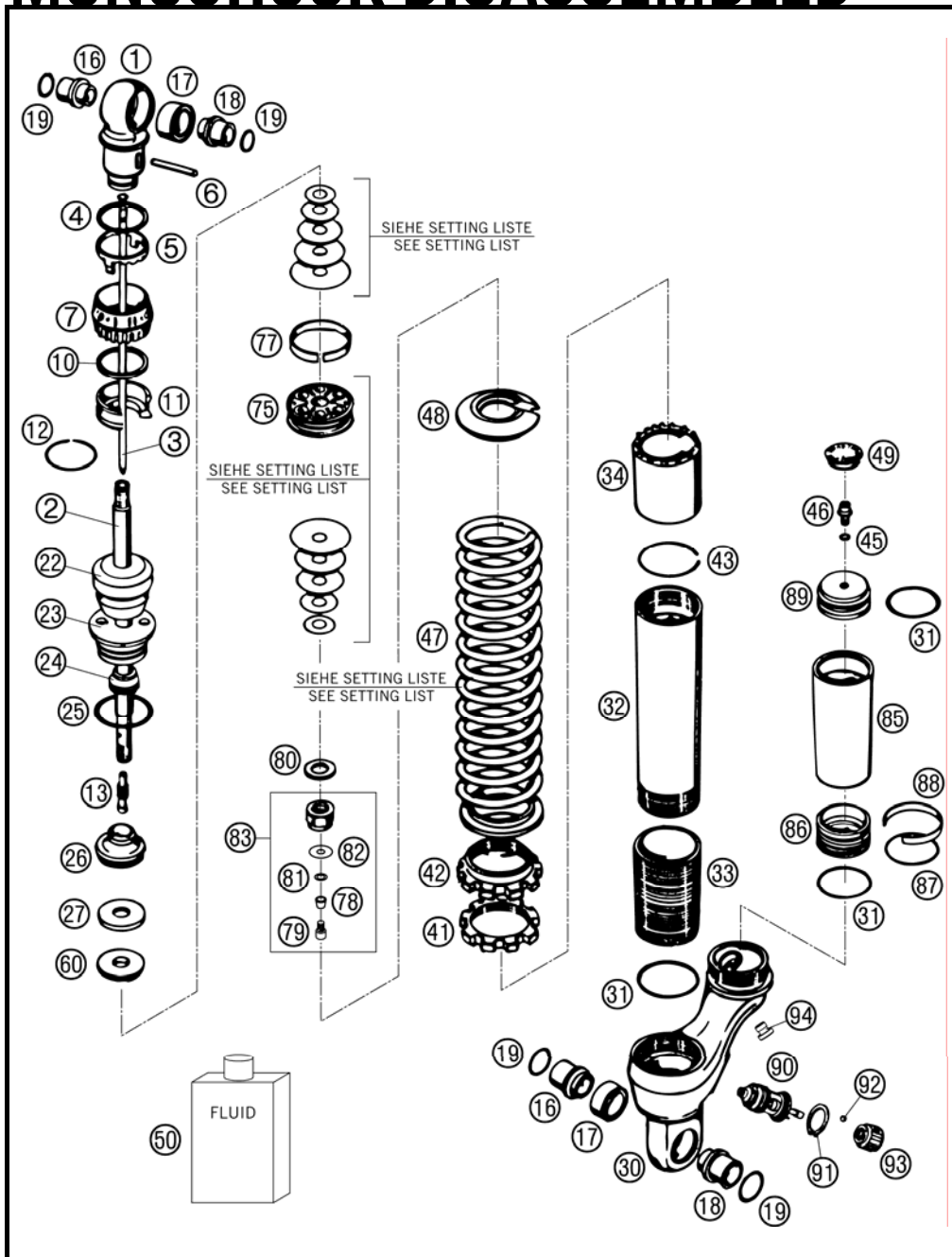


FIG	PART NUMBER	DESCRIPTION	QTY
1	46811525	SHOCK ABS. BOTTOM L=46	1
2	36120586S	PISTON ROD D=14, L=126	1
3	46811401S	NEEDLE CPL. D=4, L=142	1
4	46811222	O-RING 36X0,5	1
5	46811263	WASHER	1
6	46811261	PIN 4X35	1
7	46811262	ADJ. KNOB D=41	1
10	46811221	O-RING 35X3	1
11	46811367	INTERMEDIATO RING H=4	1
12	46811268	CIRCLIP 22X1,2	1
13	46811259	NEEDLE SEAT 5X17,25	1
16	46811076	ADAPTOR BUSH KGW 10X20	2
17	46811027	BUSHING KGW 1525	2
18	46811077	ADAPTOR BUSH KGW 10X22	2
19	46811050	SEAL KGW	4
22	36120135	BUMP RUBBER WP65 RED	1
23	36120650	SCREW CAP M37,65 STEEL	1
24	46811044	DUST SEAL 1424	1
25	36120064	O-RING NBR 29,74X3,53	1
26	36120522S1	ADAPTER CPL. D=36 H=20,5	1
27	36120469	SHIM 28,5X14X2	1
30	36120726	SHOCK ABSORB.CASE PGB KGW H=33	1
31	0770380020	O-RING 38,00X2,00 NBR 70 SH	3
32	36120137	TUBE L=167	1
33	36120019	THREADED BUSH L=70 BLACK	1
34	36120467	PROTECTION SLEEVE L=40	1
41	36120015	COUNTERNUT	1
42	36120418	ADJUSTING NUT	1
43	40540015	CIRCLIP 38X1,5	1
45	46810893	O-RING NBR 5,28X1,78	1
46	36120151	SCREW PLUG M5X6	1
47	93010181S	SPRING 40N/MM 40-220 220MM ORA	1
47	93010182S	SPRING 35N/MM 35-220 220MM ORA	x
47	93010183S	SPRING 45N/MM 45-220 220MM ORA	x
48	36120386	SPRING RET. H=3, D=14,5	1
49	46811208	RUBBER CAP "DO NOT OPEN"	1

084610430 / C084610430

* NEW PART

X AS REQUIRED

MONOSHOCK DISASSEMBLED

65 SX 2008

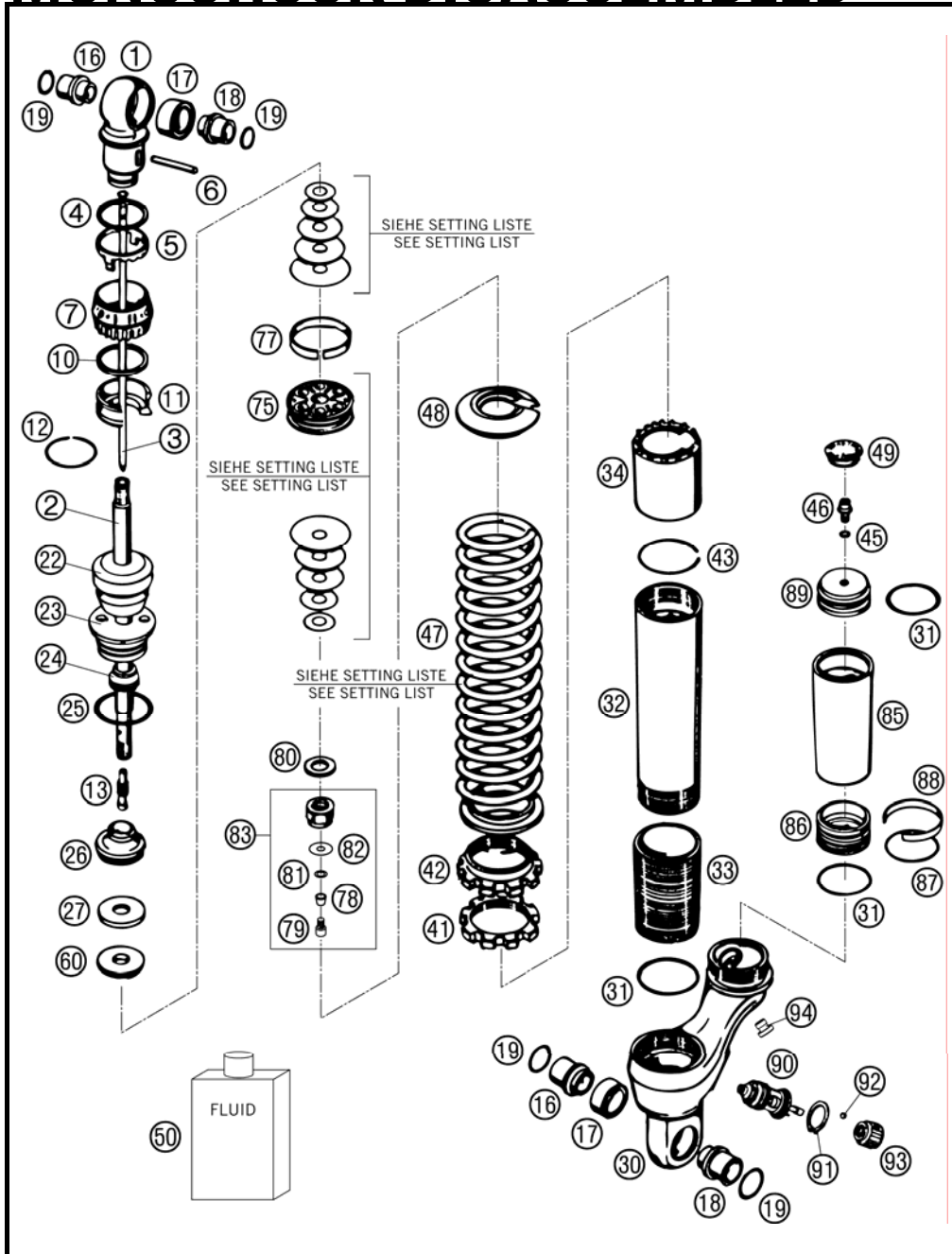


FIG	PART NUMBER	DESCRIPTION	QTY
50	50180342S1	SHOCK ABSORBER FLUID 5 LT '03	1
60	36120557	REBOUND BUSH H=5,6	1
75	36120603	PISTON 6+6XD=5,5/3,5 BA	1
77	36120040	PISTON RING 8X1X108,3	1
78	46811267	BUSHING 6X9X3	1
79	46811251	BLEED SCREW M 4X6	1
80	36120604	SHIM D10XD22X2,5	1
81	40540450	SHIM 6X9,5X0,3	1
82	40540403	SHIM 6X18X0,1	4
83	36120605S2	PISTON ROD NUT CPL. H=15,2	1
85	36120631	RESERVOIR SCREW L=98 GREY	1
86	36120024	SEPARATION PISTON D=42	1
87	36120466	O-RING VITON 32X5	1
88	46810022	PISTON RING 3,9X1,5X124	1
89	36120552	SCREW FOR RESERVOIR CAP M5	1
90	46810850S7	CC-COMPRE.DAMPING CONTROL CPL.	1
91	46810334	LOCK WASHER JV24	1
92	46810333	STEEL-BALL D=4,75	1
93	50180131S	ADJUSTING KNOB CC-MECH. CPL.	1
94	50180095	BLEED PLUG R 1/8	1

084610430 / C084610430

* NEW PART

X AS REQUIRED

EXHAUST SYSTEM

65 SX 2008

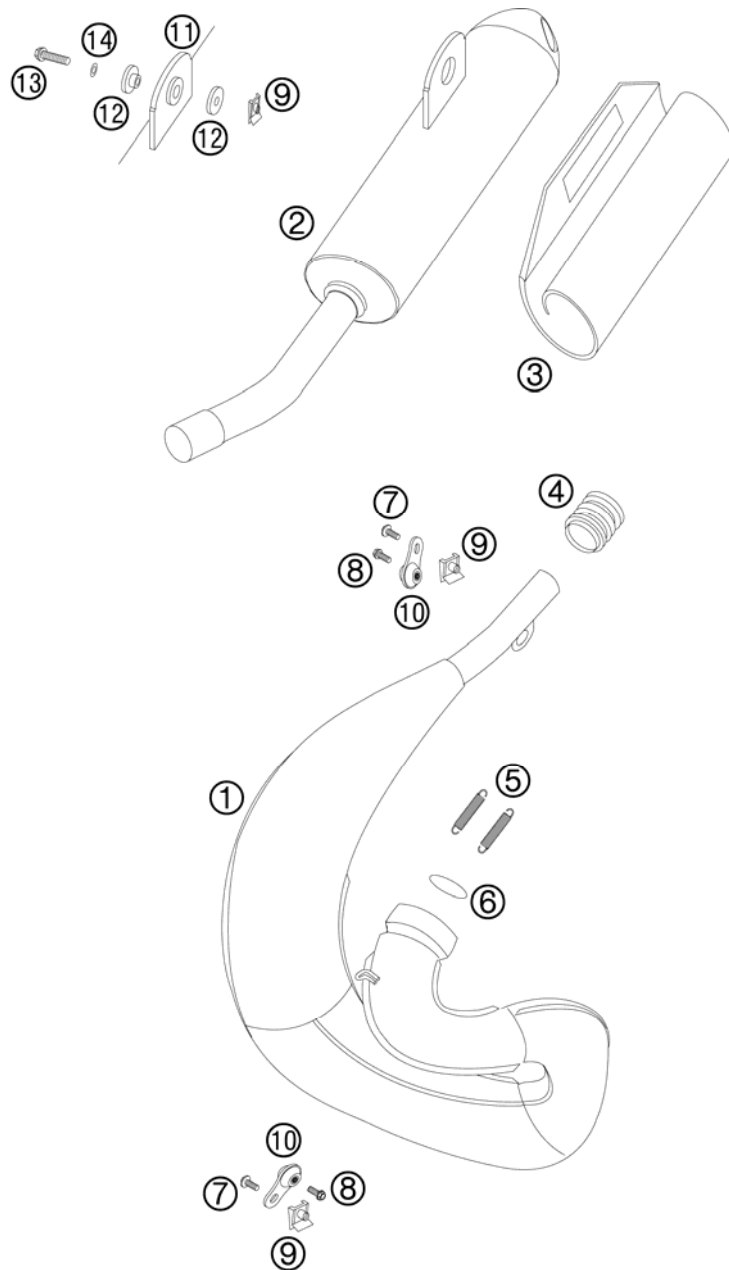


FIG	PART NUMBER	DESCRIPTION	QTY
1	46105007000	EXHAUST PIPE 65 SX 2002	1
2	46105079100	MAIN SILENCER 65 SX 2006	1
3	45105079056	ROCKWOOL PREFOMED 50 2002 110 GRAMM TOTAL WEIGHT	1
4	54605057000	RUBBER SLEEVE D=21MM/23MM '93	1
5	50305016000	TEN.SPRING L=62MM EY.MOVEABLE	2
6	0770350030	O-RING 35,00X3,00 VITON	1
7*	0024060156	HH COLLAR SCREW M6X15 TX30	2
8*	0025060166	HH COLLAR SCREW M6X16 TX30	2
9	54603048100	RANGE CHANGE METAL NUT M6	3
10	50305012000	SWINGELEMENT FOR EXHAUST PIPE	2
11	54605068000	EXHAUST BRACKET RUBBER BLACK	1
12	54605069000	BUSHING 7,5X12X28X7,8 '96	2
13*	0025060306	HH COLLAR SCREW M6X30 TX30	1
14	0137060003	SPRING WASHER DIN0137-B 6	1

084610511 / C084610511

* NEW PART

X AS REQUIRED

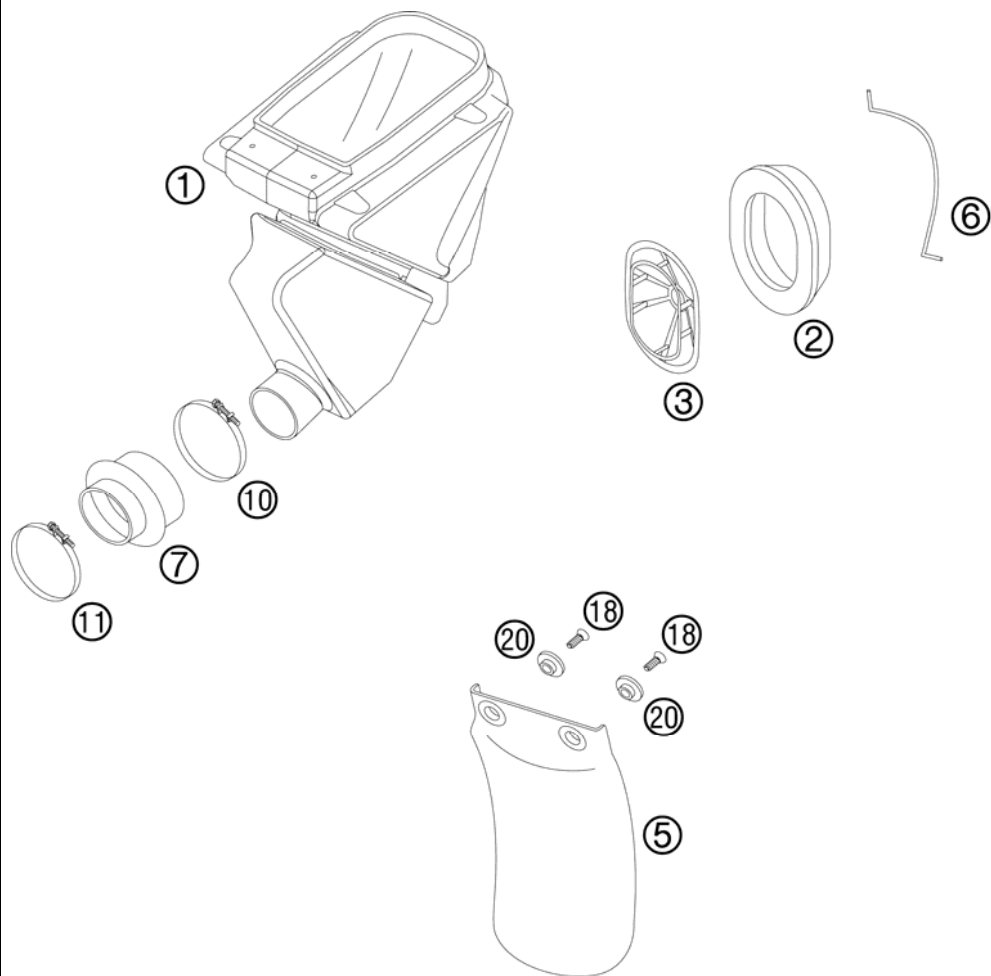


FIG	PART NUMBER	DESCRIPTION	QTY
1*	46106001000 A	AIR FILTER BOX 65XC 2008	1
2	58406015100	AIRFILTER	1
3	58406016000	FILTER CARRIER '97	1
5	46006010000	SPLASH PROTECTOR 60/65 SX '98	1
6	46106017000	HOLDING HANGER FOR FILTER 2002	1
7	46006026000	CARBURETOR CONNECTING BOOT	1
10	46005058000	HOSE CLAMP 40-60MM	1
11	45007027000	HOSE CLAMP 32-50MM W=5MM	1
18	0017060203	EJOT PT SCREW K60X20 WS=6	2
20	46106006000	BUSH FOR SPLASH PROTECTOR 2002	2

084610611 / C084610611

* NEW PART

X AS REQUIRED

TANK, SEAT, COVER

65 SX 2008

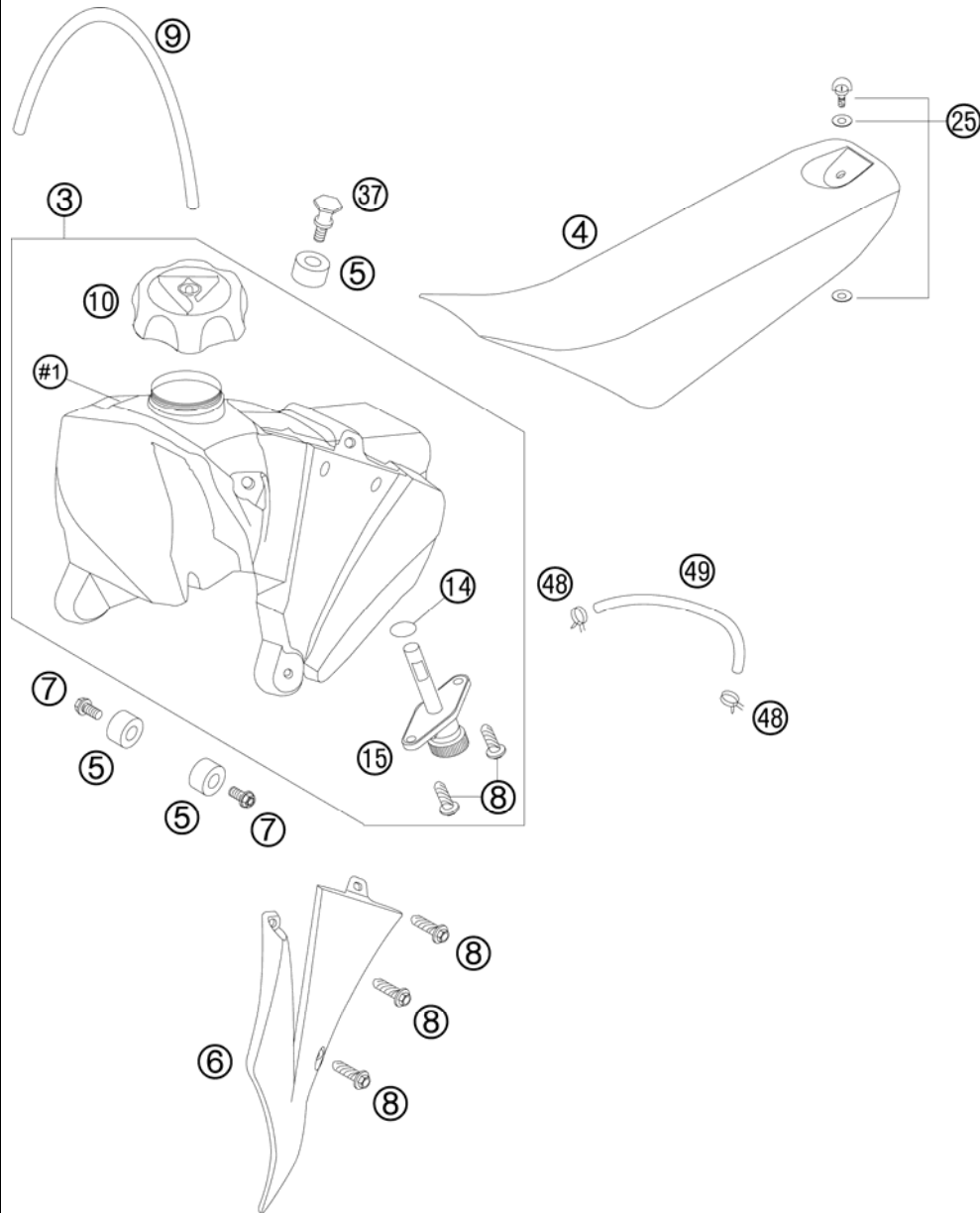


FIG	PART NUMBER	DESCRIPTION	QTY
3	4610701300030	FUEL TANK CPL. 65 SX bl. 2007	1
4	46107040200	SEAT 65 SX 2005	1
5	50307014000	TANK ROLLER 12X26X12 '98	3
6*	4610805000004A	SPOILER L/S WITH DECAL 08	1
6*	4610805100004A	SPOILER R/S WITH DECAL 08	1
7*	0025060126	HH COLLAR SCREW M6X12 TX30	2
8	0017060203	EJOT PT SCREW K60X20 WS=6	8
9	50332095200	TUBE RUBBER 6X9 DVOH 200MM	1
10	49007008044	FILLER CAP CPL. SMALL	1
14	55007006200	O-RING 11X1,8 NBR 70	1
15	58507003000	FUEL COCK CPL. SMALL RALLYE'96	1
25	45007040051	QUICK RELEASE CPL. 50 SXR '97	1
37	45107011000	TANK SCREW MINI 50 2001	1
48	58007117000	YDNAC-CLAMP 10107 10MM	2
49	50307016000	FUEL PREFORMED HOSE SX 2001	1

084610710 / C084610711

* NEW PART

X AS REQUIRED

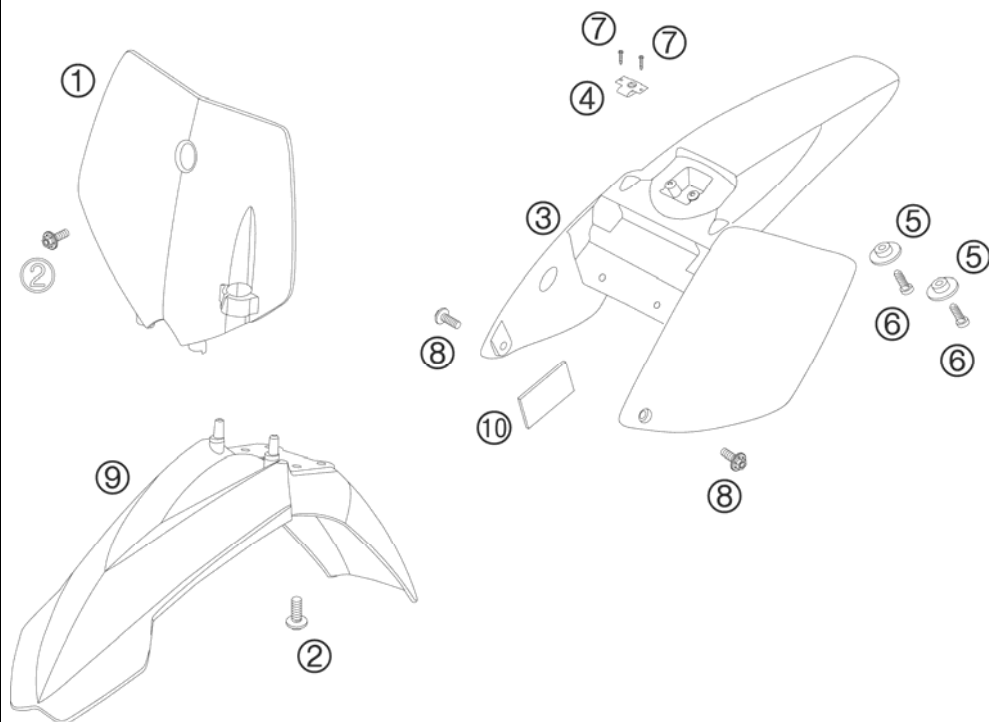


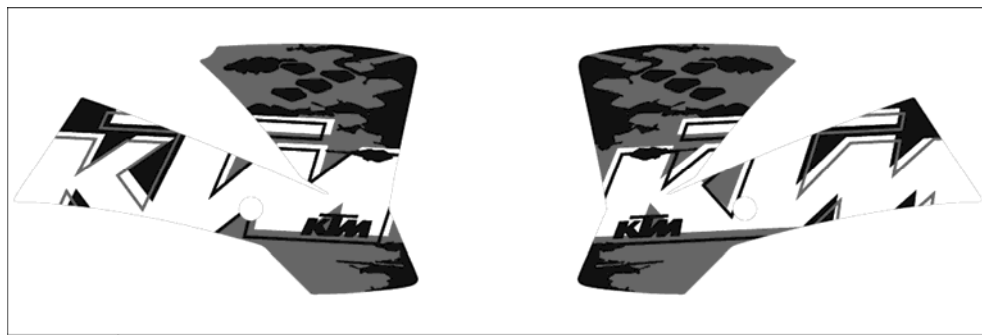
FIG	PART NUMBER	DESCRIPTION	QTY
1	4610800700004	START NUMBER PLATE 65SX 2002	1
2*	0024060106	HH COLLAR SCREW M6X10 TX30	5
3	4610801300004	REAR PART 65 SX ORANGE 2003	1
4	45007040050	QUICK RELEASE LATCHPLATE	1
5	72210079000	BUCKET	2
6	0017060203	EJOT PT SCREW K60X20 WS=6	2
7	0981350163	SHEET MET.SCR.DIN7981- 3,5X16	2
8*	0024060136	HH COLLAR SCREW M6X13 TX30	2
9	4610801000004	FENDER FRONT 65SX 2002	1
10	59003001099	METAMOLL 90X45X3MM 03	1

084610810 / C084610810

* NEW PART

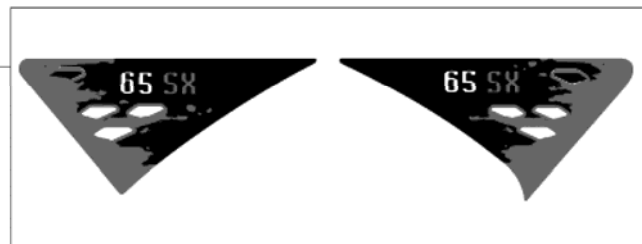
X AS REQUIRED

FIG	PART NUMBER	DESCRIPTION	QTY
1*	46108099600	SPOILER DECAL L/S+R/S 65 SX 08	1
2*	46108092600	DECAL 65 SX 2008	1



①

②



084610830 / C084610830

* NEW PART

X AS REQUIRED

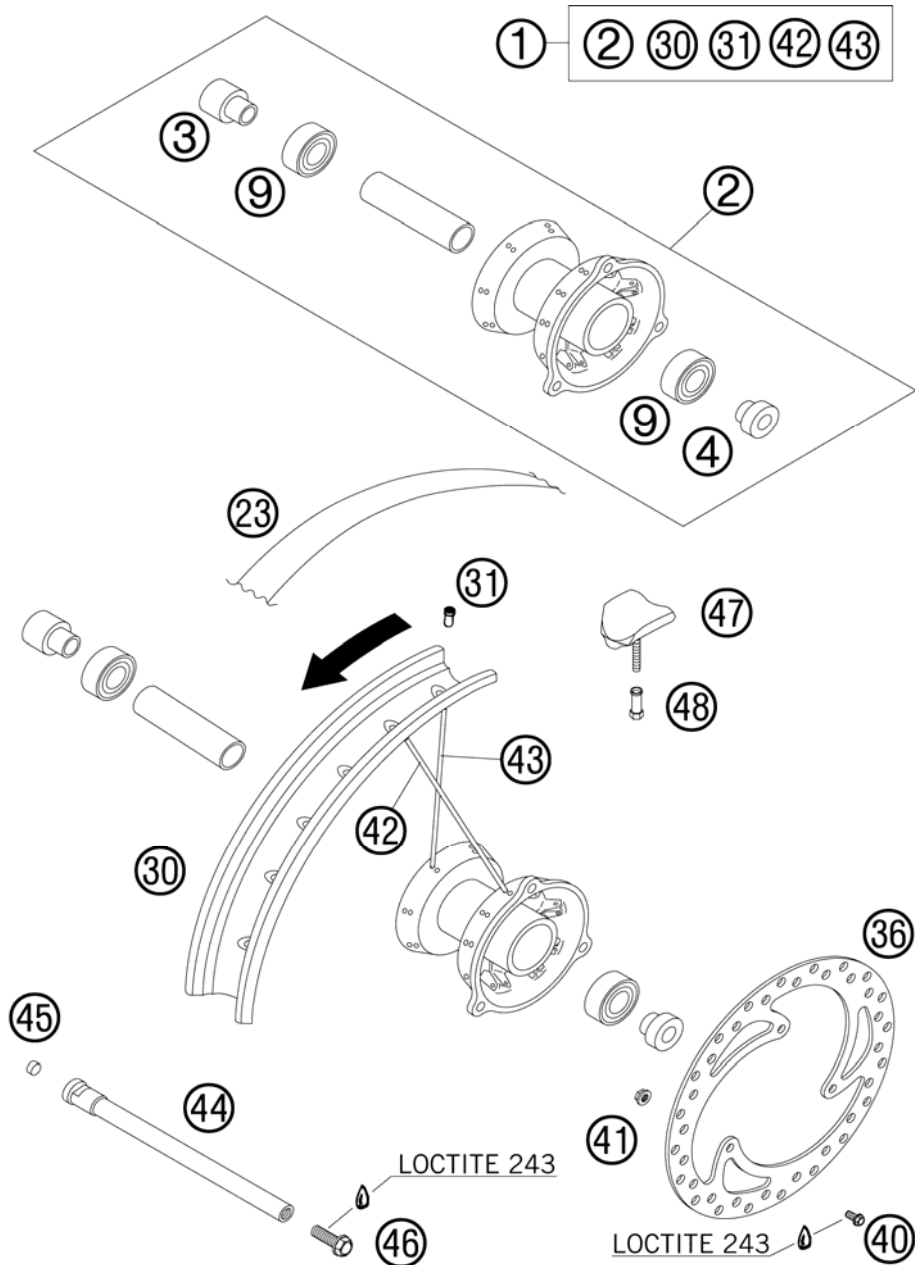


FIG	PART NUMBER	DESCRIPTION	QTY
1*	46109001544	FRONT WHEEL-SP 1,6X14" ALU '08	1
2	46109010144	FR.WHEEL HUB CPL. SILVER 2006	1
3	46009014000	SPACER BUSH L/S 65SX 04	1
4	46009013000	SPACER BUSH R/S 65SX 04	1
9	0625060037	GR.BALL BEAR. 6003-2RSH/C3HMTF	2
23	46009073000	RIM BAND 14"	1
30	46109070100	RIM FRONT 1,6X14" ALU 2008	1
31	46009072100	SPOKE NIPPEL M3,5 2001	32
36	46109060000	BRAKE DISC FRONT 65 SX 2004	1
40	59009062016	SPECIAL SCREW M6X16 WS=8 10.9	3
41	56509064100	SELF LOCKING NUT M6 10.9	3
42	46009071000	SPOKE M3,5X145MM	16
43	46009171000	SPOKE M3,5X149MM	16
44	46109081000	AXLE FRONT 65SX 2002	1
45	55009086000	PLUG SFL13	1
46	49032011000	HH COLLAR SCREW M10X20 WS=17	1
47*	45110090000	RIM LOCK CPL. 2004	1
48*	50310090050	NUT FOR WHEEL HOLDER '96	1

084610910 / C084610910

* NEW PART

X AS REQUIRED

REAR WHEEL

65 SX 2008

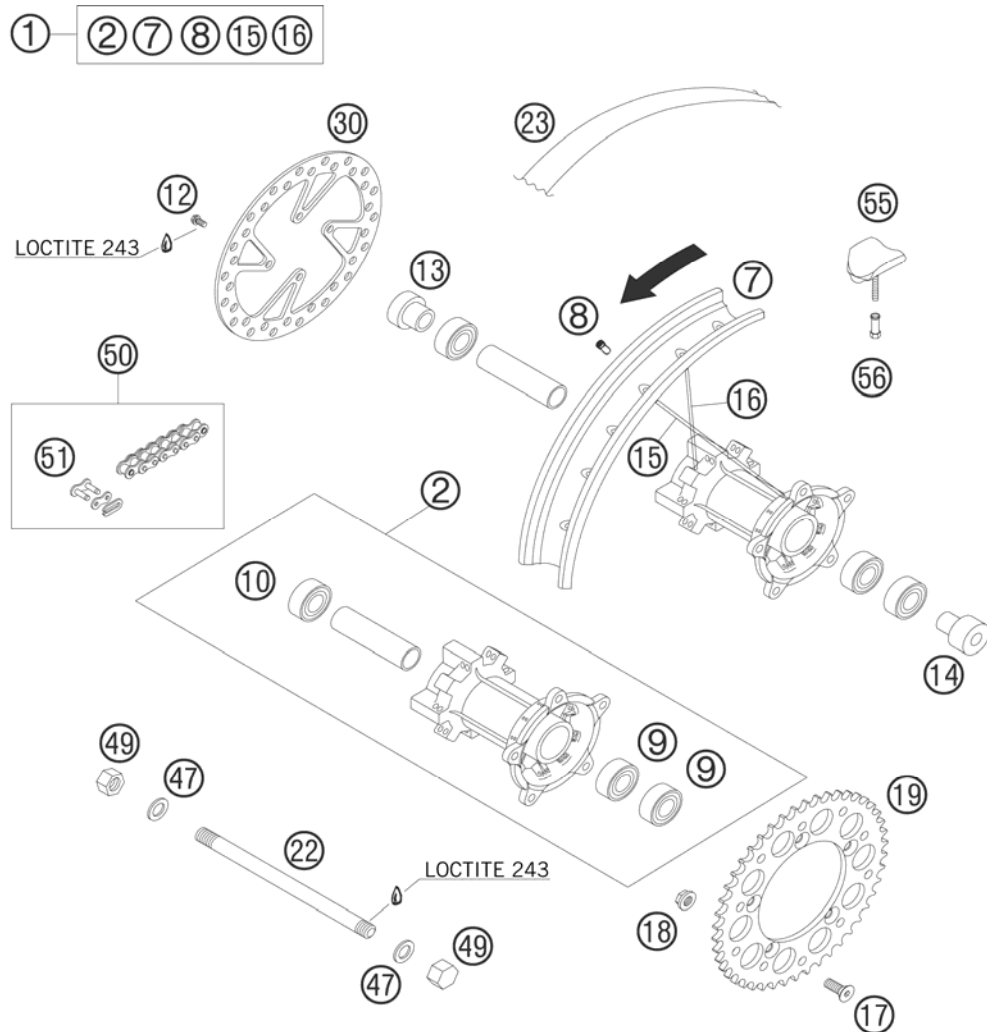


FIG	PART NUMBER	DESCRIPTION	QTY
1*	46110001344	REAR WHEEL SP 1,6X12" ALU 08	1
2	46010010144	REAR WHEEL HUB CPL.60/65 2000	1
7	46110070000	RIM REAR 1,6X12" ALU 2007	1
8	46009072100	SPOKE NIPPEL M3,5 2001	32
9	0625060037	GR.BALL BEAR. 6003-2RSH/C3HMTF	2
10	0625062032	GR.BALL BEAR. 6203-2RSHC3HMTF	1
12	59009062013	SPECIAL SCREW M6X13 WS=8 10.9	4
13	46010013000	SPACER BUSH R/S SX 60/65 2000	1
14	46010014000	SPACER BUSH L/S SX 60/65 2000	1
15	46010071100	SPOKE 3X140X4MM-161°	16
16	46010171100	SPOKE 3X132X5MM-150°	16
17	0991080253	FLAT HEAD SCREW DIN7991-M 8X25	5
18	54310086200	SELF LOCKING NUT M8 10.9	5
19	46010051046	REAR SPROCKET 46-T	x
19	46010051048	REAR SPROCKET 48-T	x
19	46010051050	REAR SPROCKET 50-T	1
22	46010085100	AXLE REAR 213MM M12X1	1
23	46010073000	RIM BAND 12"	1
30*	46110060200	BRAKE DISC 65SX 2008	1
47	0125120003	FLAT WASHER DIN0125-A13	2
49	0917120103	NUT DIN917-M12X1	2
50	46110165112	CHAIN 1/2X1/4"	1
51	46110166000	CONNECTING LINK 1/2X1/4"	1
55	51009100100	RIM LOCK VM1 (1,60")	1
56	50310090050	NUT FOR WHEEL HOLDER '96	1

084611010 / C084611011

* NEW PART

X AS REQUIRED

HAND BRAKE CYLINDER

65 SX 2008

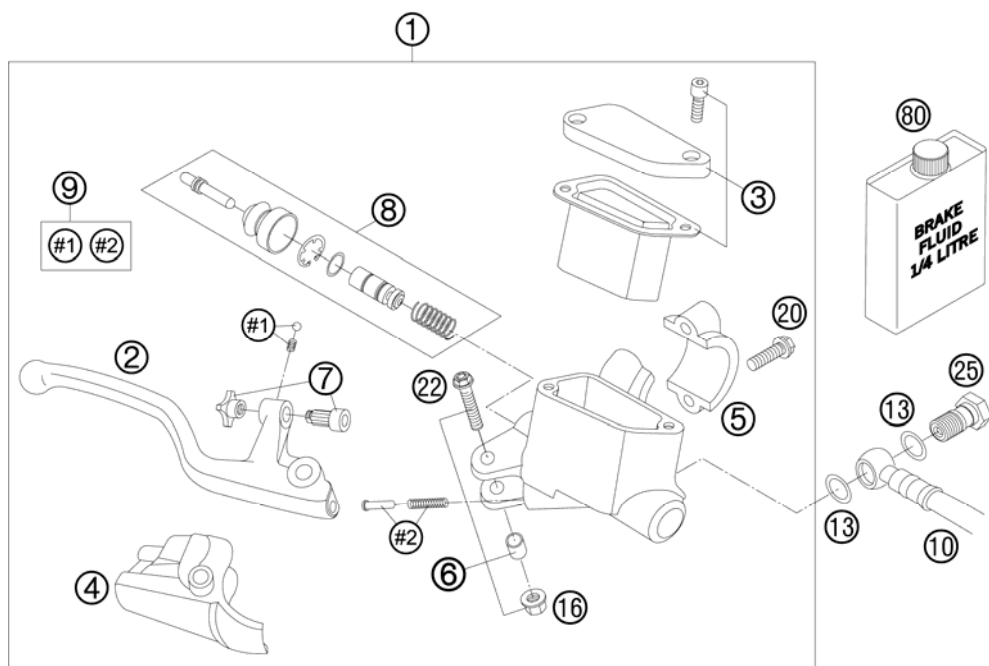


FIG	PART NUMBER	DESCRIPTION	QTY
1	47013001000	HAND BRAKE CYL. CPL. 11MM 03	1
2	47013002000	BRAKE LEVER LOOSE 85 SX 2003	1
3	47013003000	CYLINDER COVER CPL. FRONT 2003	1
4	47013004000	PROTECTION COVER 85 SX 2003	1
5	47013005000	CLAMP FOR BRAKE CYLINDER 2003	1
6	47013006000	SCREW+BUSHING+NUT 03	1
7	47013007000	ADJUSTING SCREW CPL. 85 SX 03	1
8	47013008000	REP.SET PISTON FRONT D=11MM	1
9	47013009000	BALL+SPRING+SPRING GUIDE 03	1
10	46113010100	BRAKE HOSE FRONT 65 SX 2004	1
13	0770080019	O-RING 8,00X1,00 EPDM	2
16	56509064100	SELF LOCKING NUT M6 10.9	1
20*	0025060206	HH COLLAR SCREW M6X20 TX30	2
22*	0025060306	HH COLLAR SCREW M6X30 TX30	1
25	47013025000	HOLLOW SCREW BRAKE CYLINDER 03	1
80*	00062030000	BRAKE FLUID DOT5.1 0,25L	1

084611310 / C084611310

* NEW PART

X AS REQUIRED

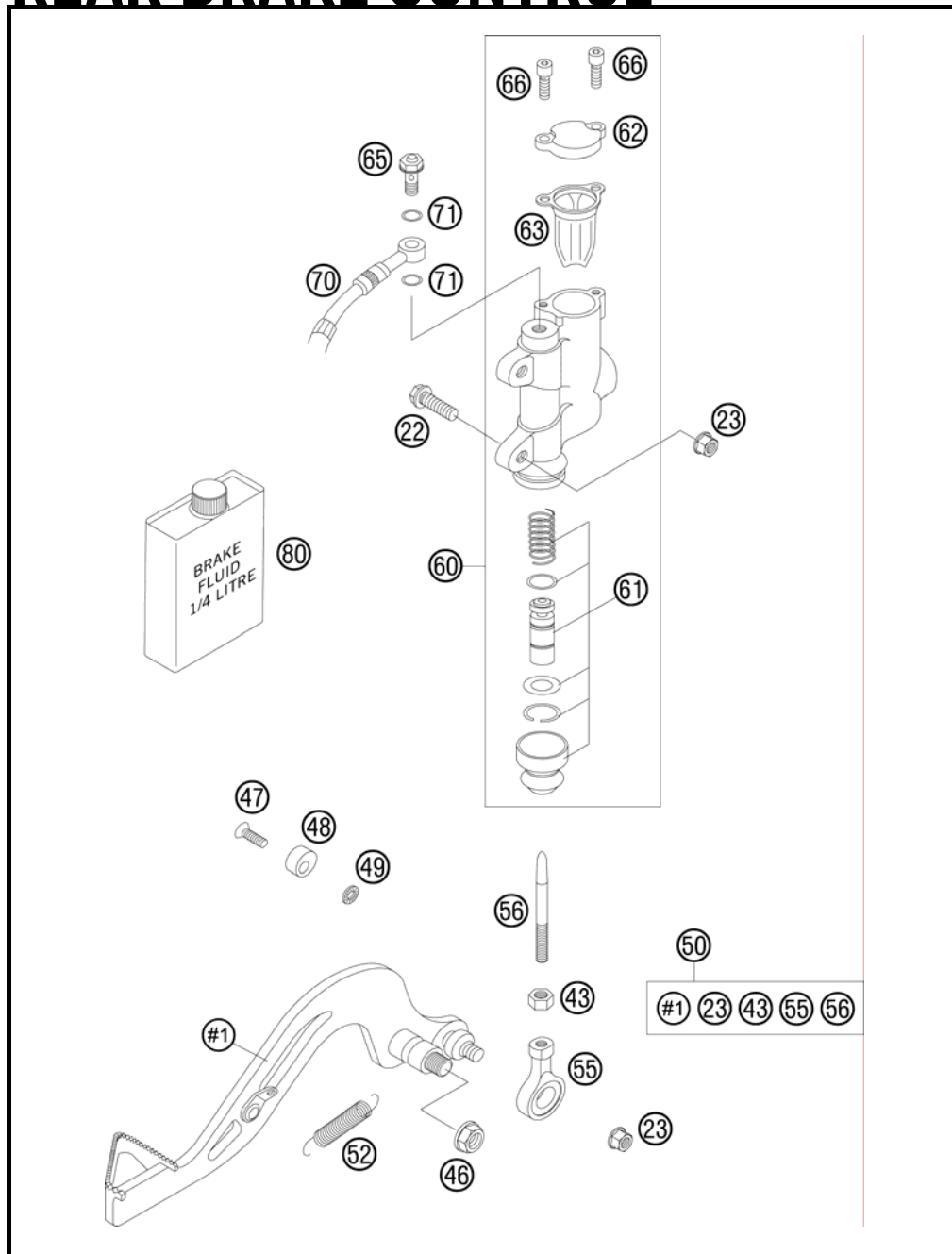


FIG	PART NUMBER	DESCRIPTION	QTY
22*	0025060206	HH COLLAR SCREW M6X20 TX30	2
23	56509064100	SELF LOCKING NUT M6 10.9	3
43	0934060003	HEXAGON NUT DIN0934-M 6	1
46	54310086200	SELF LOCKING NUT M8 10.9	1
47	0991060203	FLAT H.SCREW DIN7991-M6X20 8.8	1
48	58303063000	BRAKE LEVER STOP '93	1
49	0797060003	TOOTH LOCK WASH. DIN6797-A 6,4	1
50	46003060233	BRAKE PEDAL LEVER CPL 2000	1
52	54603062000	RETURN SPRING FOR BRAKE LEVER	1
55	54603069000	SWIVEL HEAD M6 FOOT BRAKE LEV.	1
56	54603068000	PRESSURE ROD ALU 250 '90	1
60	46113060000	REAR BRAKE CYL. 50+65 04	1
61	47013061000	REP. SET PISTON REAR D=11 2003	1
62	47013062000	CYLINDER COVER REAR 85 SX 03	1
63	47013063000	GASKET CYLINDER COVER REAR 03	1
65	46113325000	HOLLOW SCREW M6	1
66	0912040103	AH.SCREW DIN0912-M 4X10	2
70	46113070000	BRAKE HOSE REAR 65 SX 04	1
71	0770060019	O-RING 6,00X1,00	2
80	00062030000	BRAKE FLUID DOT5.1 0,25L	1

084611330 / C084611330

* NEW PART

X AS REQUIRED

BRAKE CALIPER FRONT

65 SX 2008

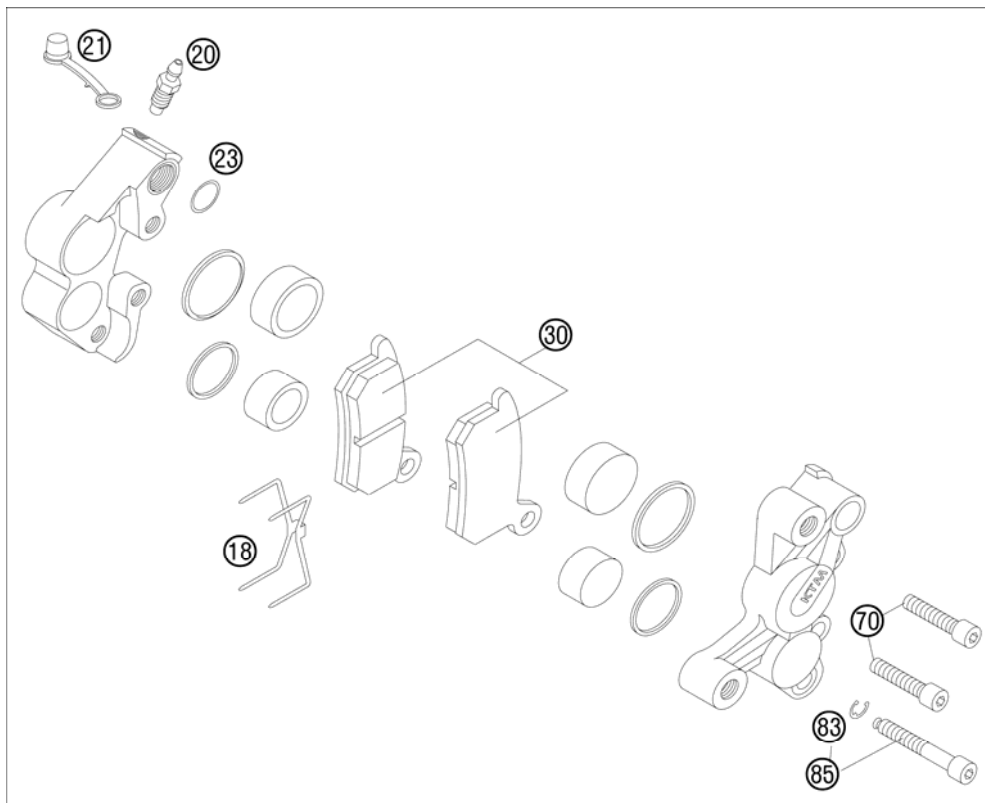
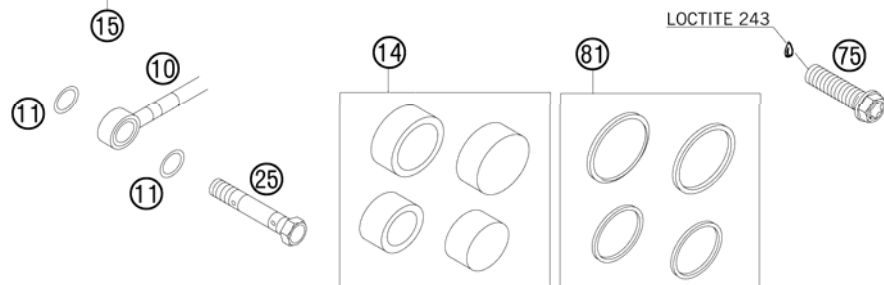


FIG	PART NUMBER	DESCRIPTION	QTY
10	46113010100	BRAKE HOSE FRONT 65 SX 2004	1
11	0770080019	O-RING 8,00X1,00 EPDM	2
14	46113019050	REPAIR KIT BRAKEPISTON	1
15	47013015000	BRAKE CALIPER FR. CPL.85 SX 03	1
18	46113018000	RETAINING SPRING 65 SX	1
20	47013020000	BLEEDER SCREW M6	1
21	47013021000	CAP FOR BLEEDER SCREW	1
23	0770100019	O-RING 10X1 EPDM	1
25	47013125000	HOLLOW SCREW M8X38,8	1
30	46113030000	BRAKE PAD SET FRONT 2002	1
70	0912060283	AH SCREW DIN0912-M 6X28	2
75*	0025080306	HH COLLAR SCREW M8X30 TX40	2
81	46113019000	REPAIR KIT SEAL RING 2002	1
83	0799040009	TAB WASHER DIN6799-RA 4,0	1
85	46113125000	AH SCREW + CIRCLIP 2002	1



084611360 / C084611360

* NEW PART

X AS REQUIRED

BRAKE CALIPER REAR

65 SX 2008

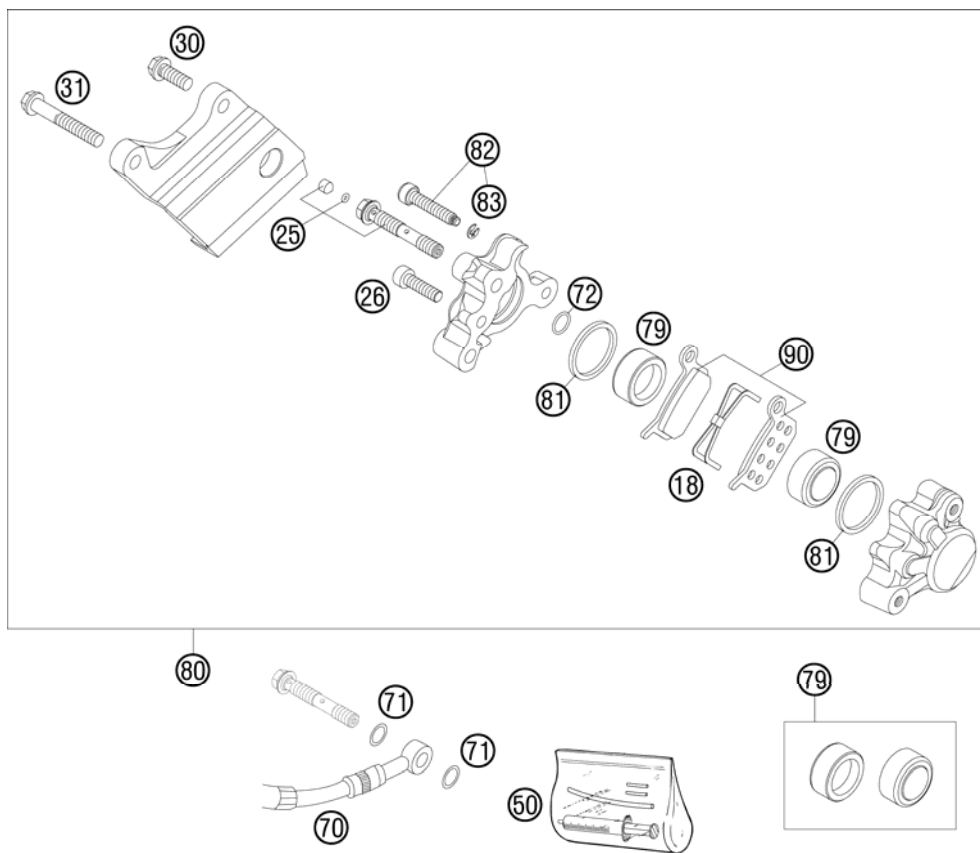


FIG	PART NUMBER	DESCRIPTION	QTY
18	45113018000	RETAINING SPRING 50 LC	1
25	46113225000	HOLLOW SCREW CPL.	1
26	0912050163	AH SCREW DIN0912-M 5X16	1
30*	0025060166	HH COLLAR SCREW M6X16 TX30	1
31*	0025060406	HH COLLAR SCREW M6X40 TX30	1
50	45119050000	BLEEDER INJECTION-SET 50-65	1
70	46113070000	BRAKE HOSE REAR 65 SX 04	1
71	0770060019	O-RING 6,00X1,00	2
72	0770080019	O-RING 8,00X1,00 EPDM	1
79	45113019100	REPAIR KIT BRAKEPISTON	1
80	46113080000	BRAKE CALIPER REAR CPL.65SX 04	1
81	0770022020	O-RING 22X2X2 EPDM	2
82	45113225000	AH SCREW + CIRCLIP 50/65 04	1
83	0799025000	TAB WASHER DIN6799 RS2,5	1
90*	46113030100	BRAKE PAD SET REAR 65SX 2008	1

084511390 / C084611390

* NEW PART

X AS REQUIRED

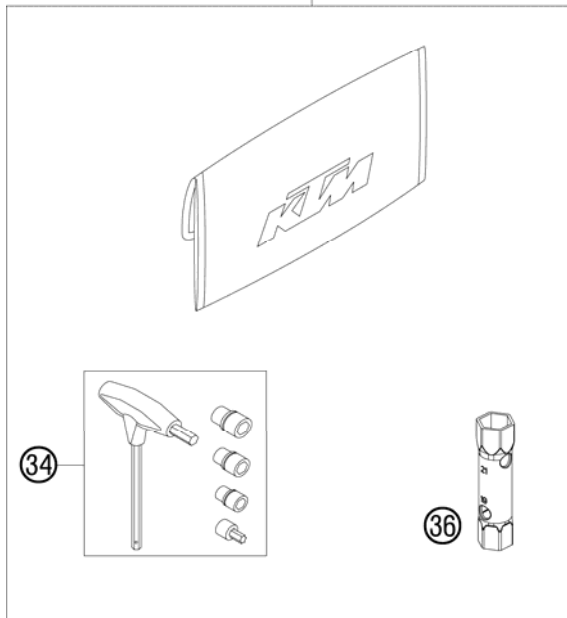
0

OHNE ABBILDUNG
WITHOUT ILLUSTRATION

1

TECHNISCHE DOKUMENTATION
TECHNICAL DOCUMENTATION
DOCUMENTACION TECNICA
DOCUMENTATION TECHNIQUE
NOTE TECNICHE

29



30

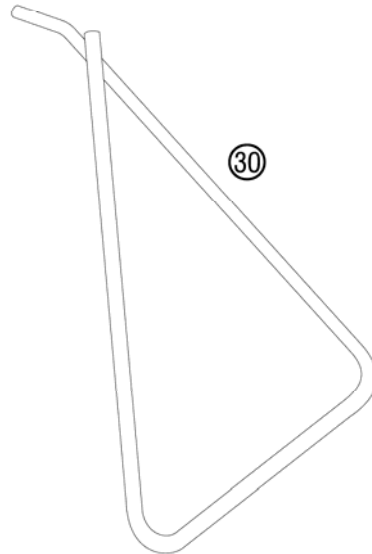


FIG	PART NUMBER	DESCRIPTION	QTY
0	312305	DOCUMENTS BAG 2006	1
0	312313	KTM BALLPOINT ORANGE	1
0	3210039	CUSTOMER WELCOME LETTER	1
0	45131023070	MAIN JET 70 DELLORTO	1
1	3211223	OWN.MAN. 65 SX/ XC 2008	1
1	322000	SAFETY BROCHURES SPORTMINICYC.	1
1	3CF6001H6EN	SPM CHASSIS 65 SX 2008	1
1	3CM080208HEN	SPC ENGINE 65 SX 2008	1
29*	46129099000	BORDTOOL 65SX 2008	1
30*	47003020000	PLUG IN STAND SX 85 2003	1
34	60029070200	T-WRENCH WS=6/8/10 TX=45 B&F	1
36	45129072000	SPARK PLUG WRENCH	1

084612010 / C084612010

* NEW PART

X AS REQUIRED







KTM-Sportmotorcycle AG
A-5230 Mattighofen
www.ktm.at

KTM Group Partner



3CF6001H6EN



Art.Nr.: 3CF6001H6EN 6/2007