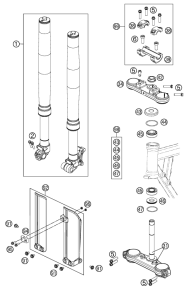
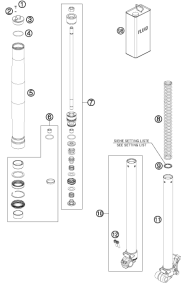
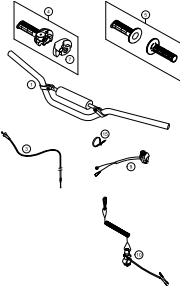
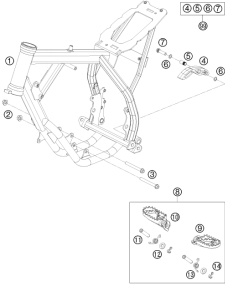
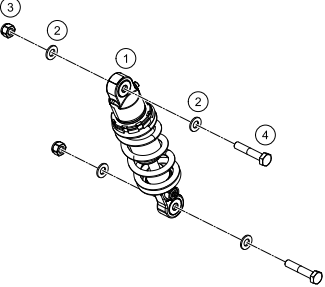
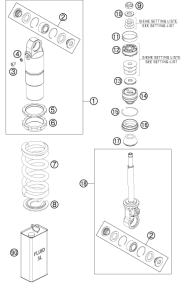
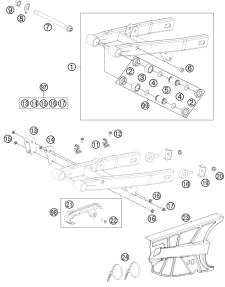
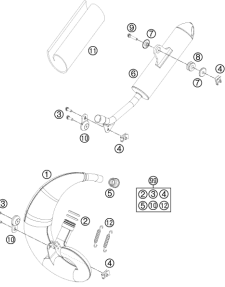
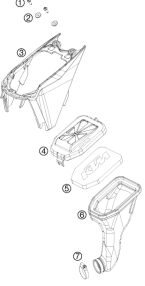
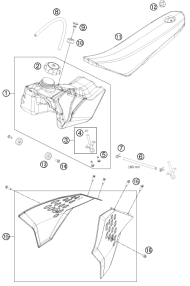
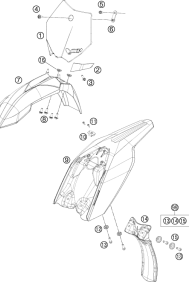
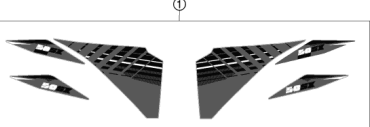
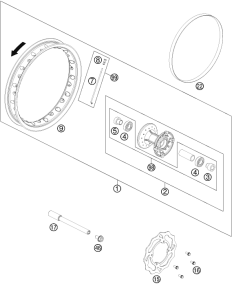
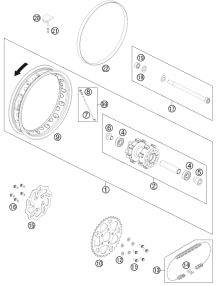
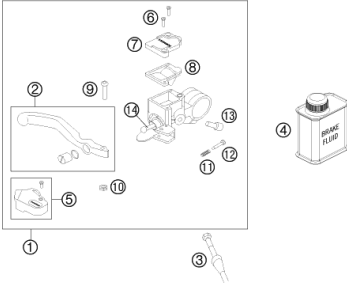
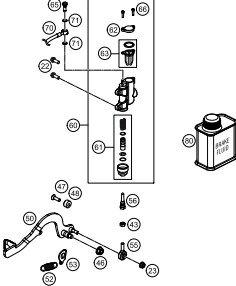
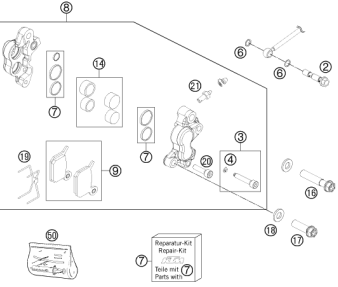
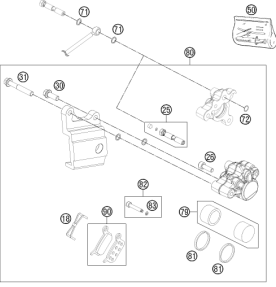
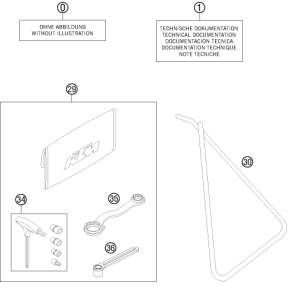


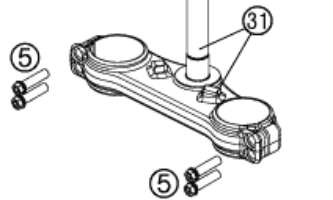
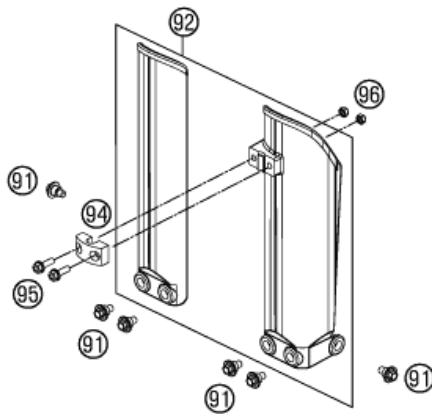
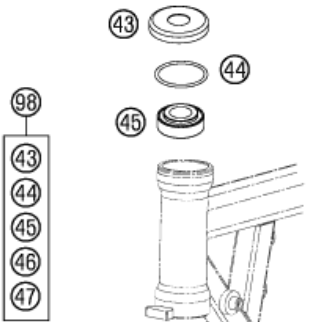
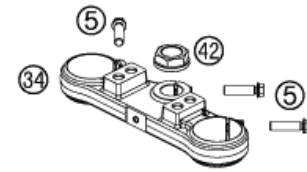
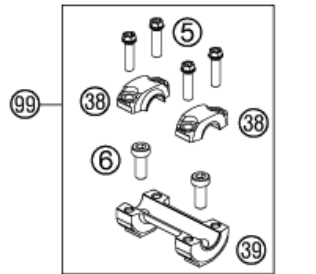
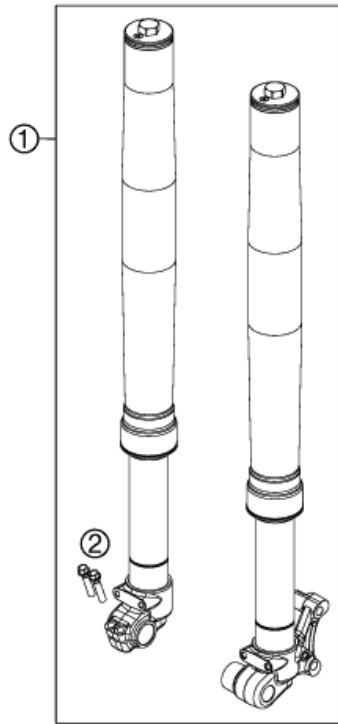
50 SX 2012

ART.-NR.: 3CF 6001L4EN



<p>FRONT FORK, TRIPLE CLAMP</p>  <p>3</p>	<p>FRONT FORK DISASSEMBLED</p>  <p>4</p>	<p>HANDLEBAR, CONTROLS</p>  <p>5</p>	<p>FRAME</p>  <p>6</p>
<p>MONOSHOCK</p>  <p>7</p>	<p>MONOSHOCK DISASSEMBLED</p>  <p>8</p>	<p>SWING ARM</p>  <p>9</p>	<p>EXHAUST SYSTEM</p>  <p>10</p>
<p>AIR FILTER BOX</p>  <p>11</p>	<p>TANK, SEAT, COVER</p>  <p>12</p>	<p>MASC, FENDER</p>  <p>13</p>	<p>DECAL</p>  <p>14</p>

<p>FRONT WHEEL</p>  <p>15</p>	<p>REAR WHEEL</p>  <p>16</p>	<p>HAND BREAK CYLINDER</p>  <p>17</p>	<p>REAR BRAKE CONTROL</p>  <p>18</p>
<p>BRAKE CALIPER FRONT</p>  <p>19</p>	<p>BRAKE CALIPER REAR</p>  <p>20</p>	<p>ACCESSORIES KIT</p>  <p>21</p>	
<div style="display: flex; align-items: center;"> <div style="background-color: #cccccc; width: 50px; height: 100px; display: flex; align-items: center; justify-content: center; margin-right: 20px;"> ! </div> <div> <p>All information contained is without obligation. KTM Sportmotorcycle GmbH particularly reserves the right to modify any equipment, technical specifications, prices, colors, shapes, materials, services, service work, constructions, equipment and the like so as to adapt them to local conditions or to cancel any of the above items, all without previous announcement and without giving reasons. KTM may stop manufacturing certain models without previous notice. KTM shall not be held liable for any deviations of availability and/or ability to deliver, illustrations, descriptions, printing and/or other errors. The illustrated models partly contain extra equipment, which is not applied to standard models.</p> <p>© by KTM Sportmotorcycle GmbH, Mattighofen AUSTRIA; All rights reserved; Reprint, also in extracts, with written allowance of KTM Sportmotorcycle GmbH, Mattighofen only.</p> </div> </div>			



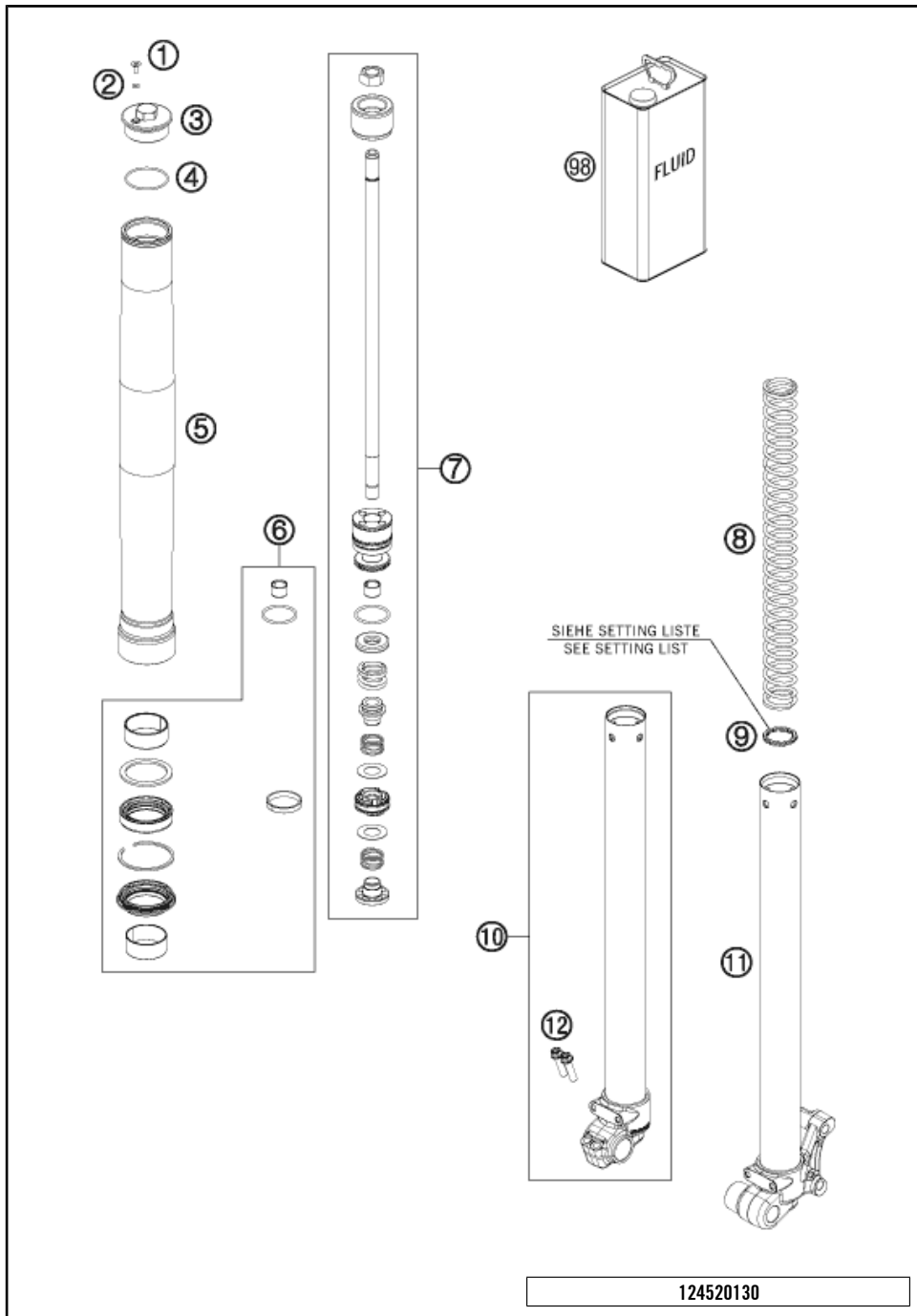
POS	PARTNUMBER	PARTNAME	PIECE
1*	07181L0301	FORK USD 50SX	1
2	0025060256	HH COLLAR SCREW M6X25 TX30	2
5*	0025080306	HH COLLAR SCREW M8X30 TX40	11
6	0032100256S	AH-COLLAR SCREW M10X25 ISA45	2
31*	45201032022	BOT. TRIPLE CLAMP CPL.	1
34*	45201034022	TOP TRIPLE CLAMP	1
38	50301038000	HANDLEBAR CLAMP D=22MM 2001	2
39*	45201039000	HANDLEBAR SUPPORT 50SX D=22MM	1
42*	59030029000	HH NUT M20X1,5 WS=27 RIGHT	1
43	49001086000	COVERING CAP	1
44	0770021300	O-RING 40,94X2,62 NBR70	1
45	49001081000	TAPERED ROLLER BEARING 32004X	2
46	46001086000	PROTECTION RING 20,1X39X5	1
47	0770360030	O-RING 36,00X3,00 NBR	1
91*	59001092050	SPECIAL SCREW M6X12,5 WS=8	6
92*	4610109400028	FORK PROTECTOR SET 65 SX WHITE	1
94*	5460108500028	BRAKE HOSE CLIP	1
95*	0025050166	HH COLLAR SCREW M5X16 TX30	2
96*	0985050003	SELF LOCKING NUT DIN985-M 5	2
98	00050000931	STEERING HEAD REP. KIT MINI	x
99*	00050000925	HANDLEBAR SUPPORT KIT 50SX '12	1

124520110

C124520112

* NEW PART

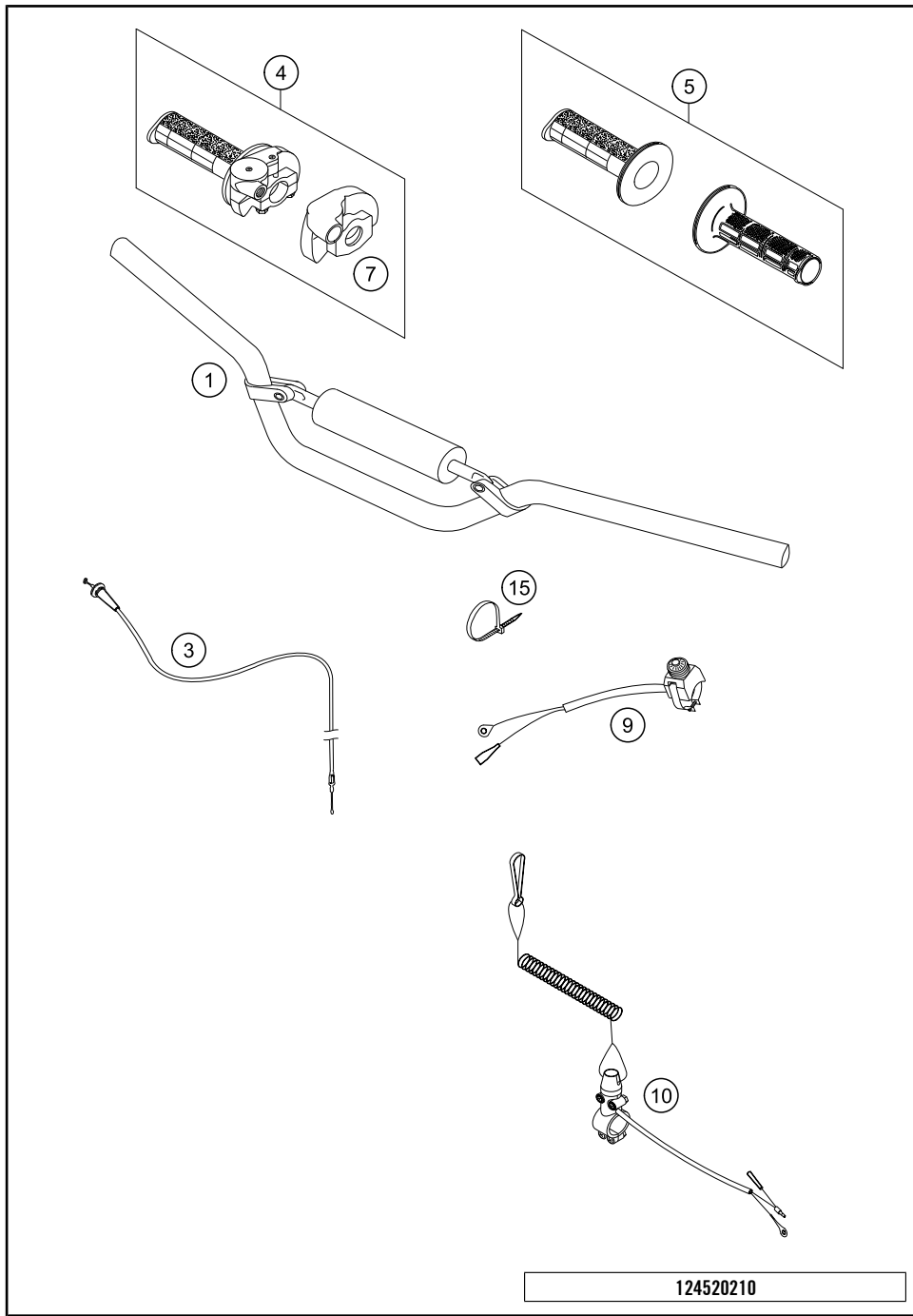
X ON DEMAND



POS	PARTNUMBER	PARTNAME	PIECE
1*	48600481	VENT SCREW M4X8	2
2*	48600046	O-RING NBR 3X1,5	2
3*	35480459	SCREW CAP M38X1.5	2
4*	46180581	O-RING 35X1.5 NBR70	2
5*	35480453	OUTER TUBE L=425	2
6*	R703	REPAIR KIT 50SX 2012	1
7*	35480462S1	PISTON ROD 50SX CPL.	2
8	95010055S	SPRING 1,8 N/MM SET	x
8*	95010051S	SPRING 2.0N/MM SET D=3.1MM	2
8	95010052S	SPRING 2,2 N/MM SET	x
9*	35480497	WASHER 22X30X2.5	x
10*	35480455S1	AXLE CLAMP R/S CPL. W. TUBE	1
11*	35480456S1	AXLE CLAMP L/S CPL. W. TUBE	1
12*	0025060256	HH COLLAR SCREW M6X25 TX30	2
98*	48600765	% FORK OIL SAE5	1

124520131

* NEW PART X ON DEMAND

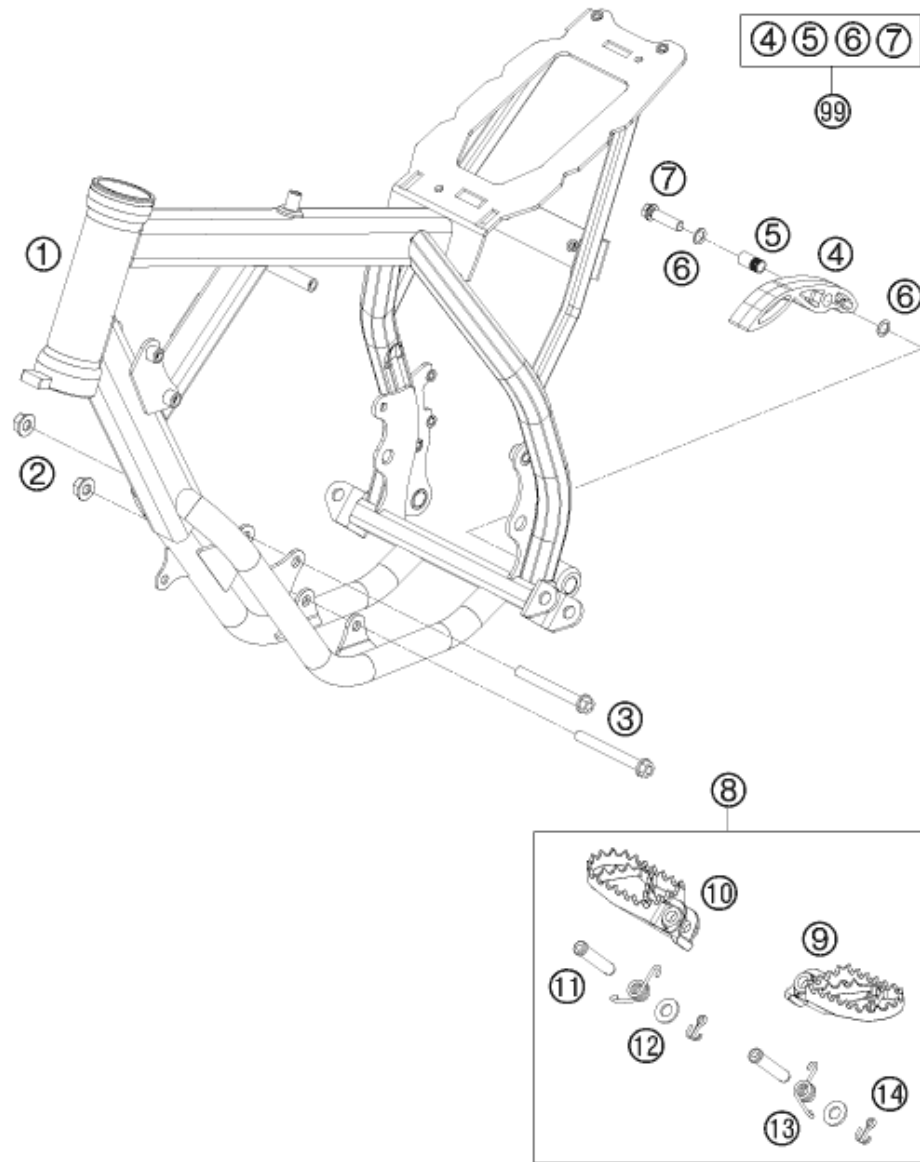


POS	PARTNUMBER	PARTNAME	PIECE
1*	45202001100	% HANDLEBAR D=22MM	1
3*	45202091000	THROTTLE CABLE 50SX 2012	1
4*	46202010000	THROTTLE GRIP 65SX 09	1
5*	63002021100	GRIP SET DUAL COMPOUND	1
7*	50302020000	PROTECTION COVER '97	1
9	50311089200	SHORT CIRCUIT BUTTON 02	1
10	45011089044	S.CIRCUIT BUTTON W. RIP CORD ACCESSORY	X
15	44011076200	CABLE TIE 200/3,6MM BLACK	X
15	44011076140	CABLE TIE 140/2,5MM BLACK	X

124520210

C124520210

* NEW PART X ON DEMAND



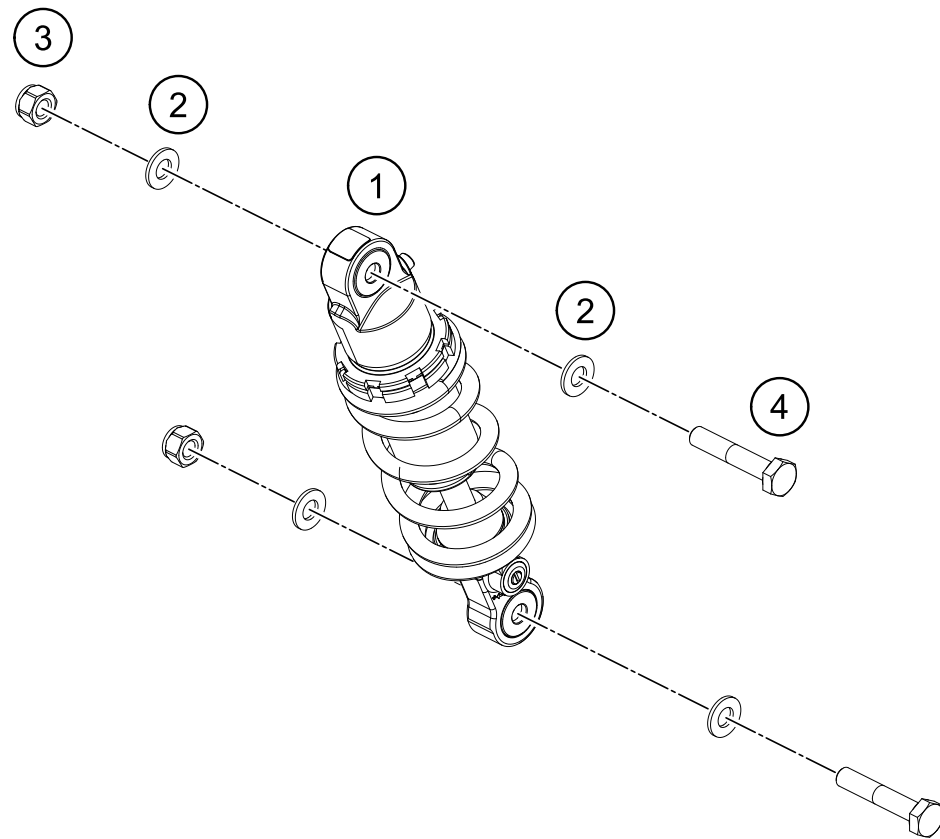
POS	PARTNUMBER	PARTNAME	PIECE
1*	4520300130033	FRAME BLACK M. "452L3"	1
2	54310086200	SELF LOCKING NUT M8 10.9	2
3	0025080656	HH COLLAR SCREW M8X65 TX40	2
4	51103053000	CHAIN SLIDING PIECE BELOW '97	1
5	51103053051	BUSHING 8,2X10X20	1
6	36003014000	LOCK WASHER 8MM	2
7	0025080306	HH COLLAR SCREW M8X30 TX40	1
8	4700304003390	% FOOTPEG L.+R. CPL. 85 SX 03	1
9	59003040050	% FOOT PED L/S EXC SILVER 00	1
10	59003041050	% FOOT PED R/S EXC SILVER 2000	1
11	54803044000	PIN FOR FOOT PED 51.5X9.8 MM	2
12	0125100003	WASHER DIN0125-A10,5	2
13	54603041000	FOOTREST SPRING L/S & R/S	2
14	0094032253	PIN DIN0094-3,2X25 STEEL	2
99*	51103053110	CHAIN SLIDING KIT BELOW MINI	1

124520310

C124520310

* NEW PART

X ON DEMAND



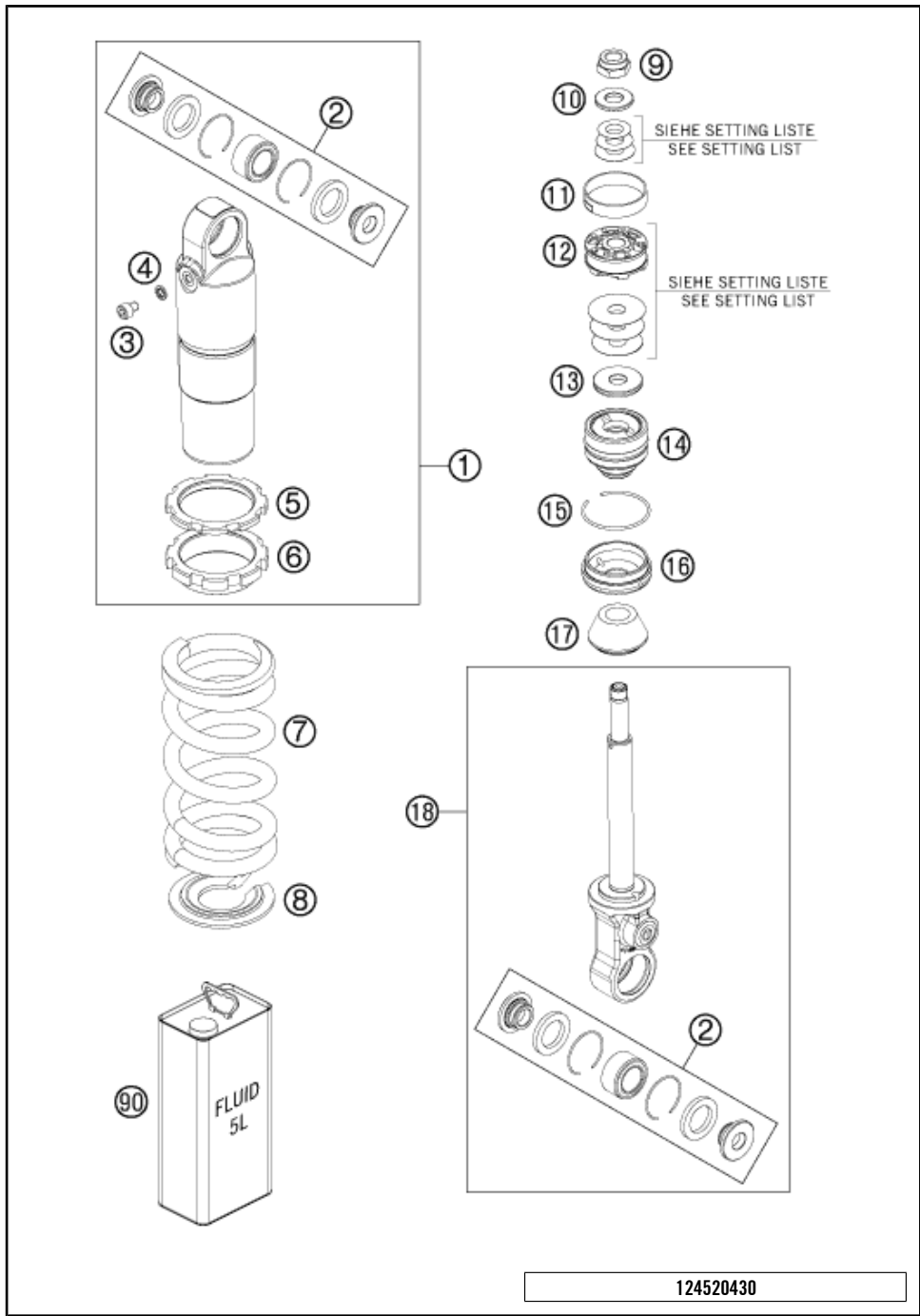
POS	PARTNUMBER	PARTNAME	PIECE
1*	03189L0201	MONOSHOCK 50SX 2012	1
2	0125100003	WASHER DIN0125-A10,5	4
3	0982100003	SELF LOCK.NUT DIN0982-M10 HIGH	2
4	0931100453	HH SCREW DIN0931-M10X45	2

124520410

C124520411

* NEW PART

X ON DEMAND



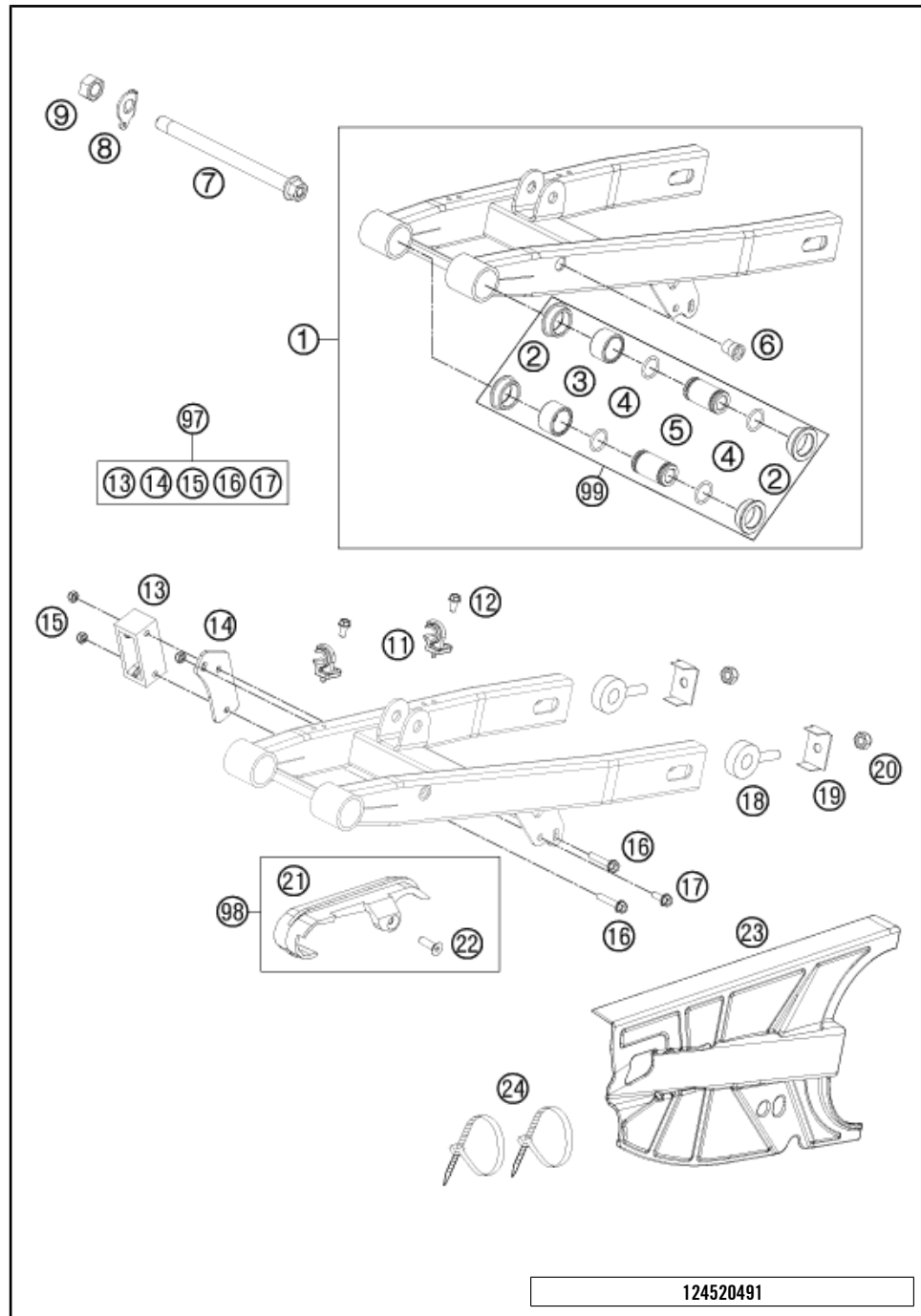
POS	PARTNUMBER	PARTNAME	PIECE
1	36120783S	MONOSHOCK TOP PART L147 CPL.07	1
2	R307	REPAIR KIT BEARINGS 50 SX 07	2
3	36120785	SCREW M5 C.K. RVS	1
4	36120782	SEAL D5,21XD8,38X1,22	1
5	36120015	COUNTERNUT	1
6	36120418	ADJUSTING NUT	1
7	93010175S	SPRING 35N/MM 35-130 130MM OR.	1
7	93010176S	SPRING 30N/MM 30-130 130MM OR.	x
7	93010177S	SPRING 40N/MM 40-130 130MM OR.	x
8	36120386	SPRING RET. H=3, D=14,5	1
9	36120052	PISTON ROD NUT M10X1	1
10	36120604	SHIM D10XD22X2,5	1
11	36120040	PISTON RING 8X1X108,3	1
12	36120071	* PISTON 6+6XD5.5/3.5	1
13	14360065	REBOUND DISC H=4 D=28,5	1
14	36120787S	ADAPTOR 36MM H26,6 CPL. 07	1
15	40540015	CIRCLIP 38X1,5	1
16	36120780	RESERVOIR CAP D=36 H=9,5	1
17	36120427	BUMP RUBBER WP65 L=20	1
18	36120776S1	MONOSH. BOTTOM PART L99 CPL.07	1
90*	50180751S1	SHOCK ABSORBER FLUID 5 LT	1

124520430

C124520431

* NEW PART

X ON DEMAND

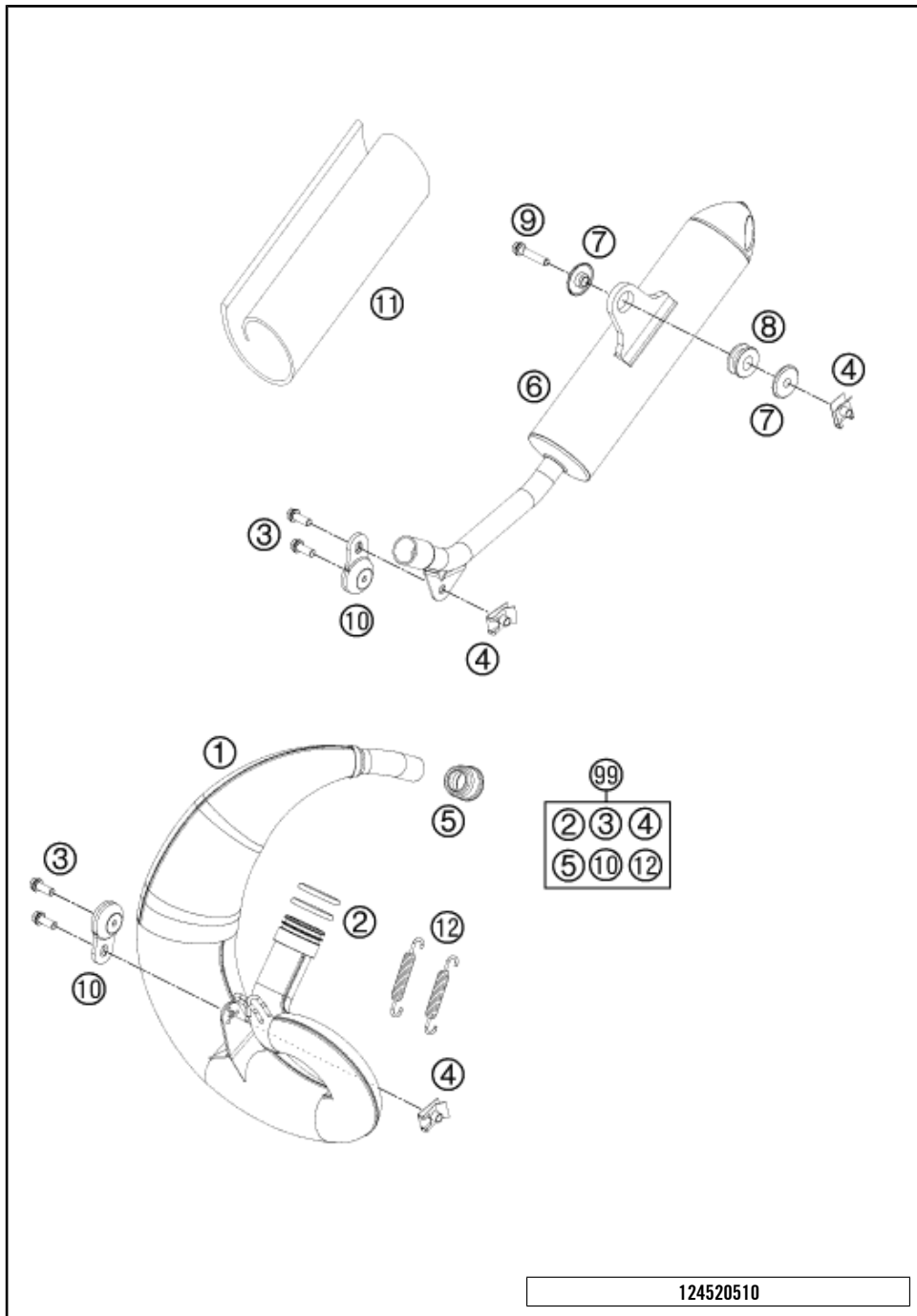


POS	PARTNUMBER	PARTNAME	PIECE
1	45204030033	% SWING ARM CPL. 50SX 09(MB9S)	1
2	46004030070	SPACER BUSHING 20X26X30X9,7	4
3	54603097000	NEEDLE BUSH HK 2016	2
4	0770160021	O-RING 16,00X2,00 VITON	4
5	46004030071	BUSHING BOX 12X20X36,5	2
6	55003139900	BLIND RIVET THREAD M6 STE. 4MM	1
7	45103014144	SWING ARM BOLT CPL. 2004	1
8	45213053000	LOCK WASHER 50 SX	1
9	0934120103	HEXAGON NUT DIN0934-M12X1	1
11	54611076100	RETAIN.CLAMP FOR BRAKE HOSE'96	2
12	0009050106	EJOT SPIRAL SCREW SF M5X10-K	2
13	45004070000	CHAIN GUIDE REAR	1
14	45104170000	BRACKET FOR CHAIN GUARD 02	1
15	0985050003	SELF LOCKING NUT DIN0985-M 5	3
16	0025050306	HH COLLAR SCREW M5X30 TX30	2
17	0025050126	HH COLLAR SCREW M5X12 TX30	1
18	45010083000	CHAIN ADJUSTER	2
19	45010083060	SUPPORTING BRACKET	2
20	0985080003	SELF LOCKING NUT DIN0985-M 8	2
21	45204066000	CHAIN SLIDING GUARD	1
22	0991060202	FLAT HEAD DIN7991-M 6X20	1
23	45104061000	CHAINGUARD JUNIOR 08	1
24	44011076305	CABLE TIE 300/4,8MM BLACK	2
97*	45104070044	CHAIN GUIDE KIT MINI 04-11	1
98*	45204066010	CHAIN GUARD KIT 50 SX	1
99*	45204230010	SWINGARM REP. KIT 50/65 SX	1

124520491

C124520491

* NEW PART X ON DEMAND

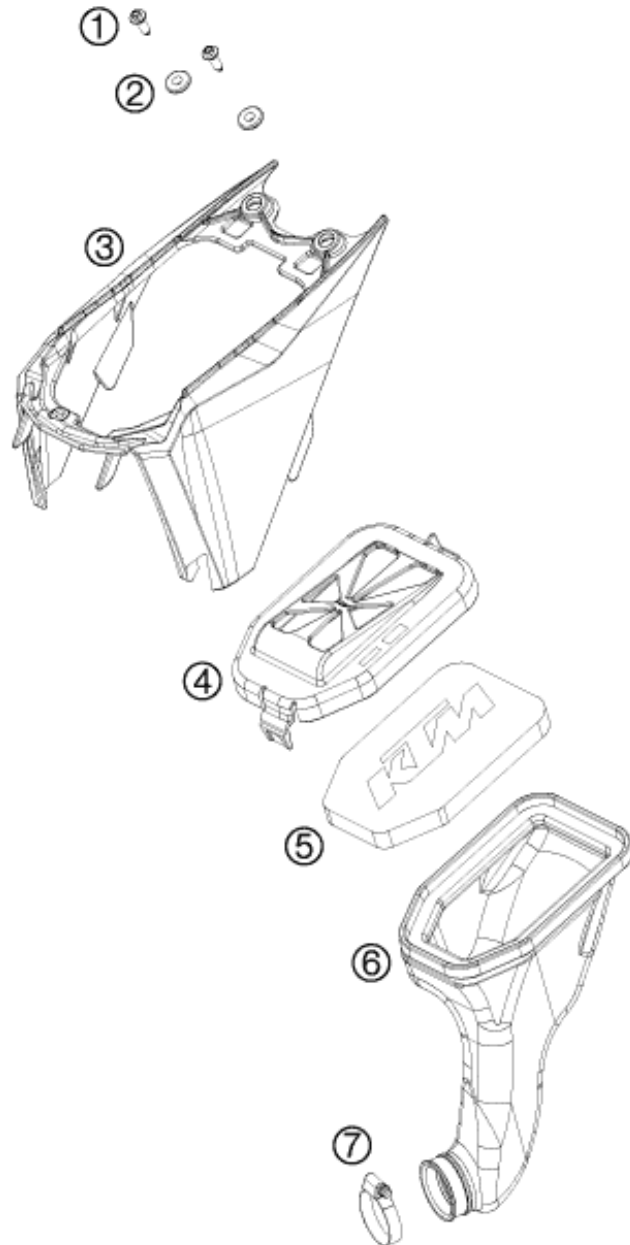


124520510

C124520511

* NEW PART

X ON DEMAND



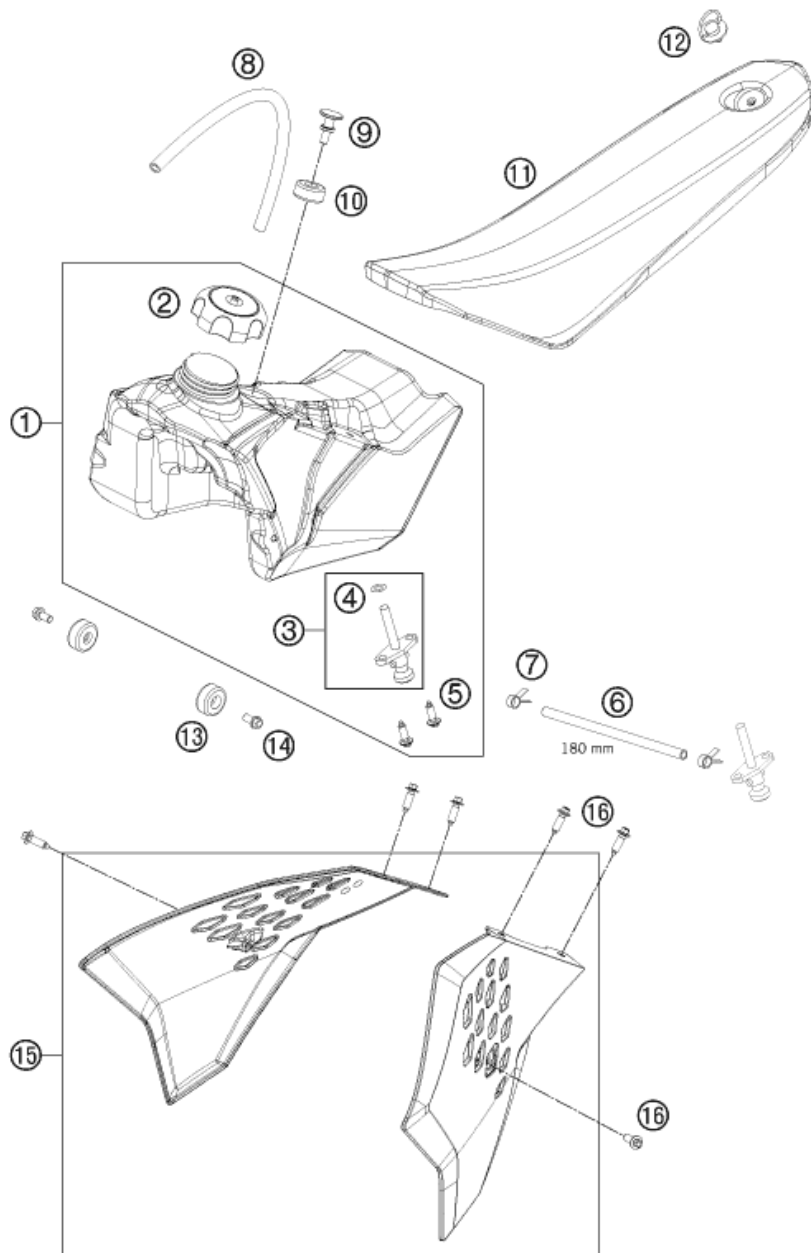
POS	PARTNUMBER	PARTNAME	PIECE
1	0017060203	% EJOT PT SCREW K60X20 WS=6	2
2	54808020000	SPACER BUSHING 03	2
3	4520600100030	AIRFILTERBOX 50 SX 09	1
4	45206002000	FILTER BOX COVER 50 SX 09	1
5	45206015000	AIR FILTER 50 SX 09	1
6	45206026000	CARBURETOR CONNECT. 50 SX	1
7	76235028000	HOSE CLAMP GEMI 20-32 MM	1

124520611

C124520611

* NEW PART

X ON DEMAND



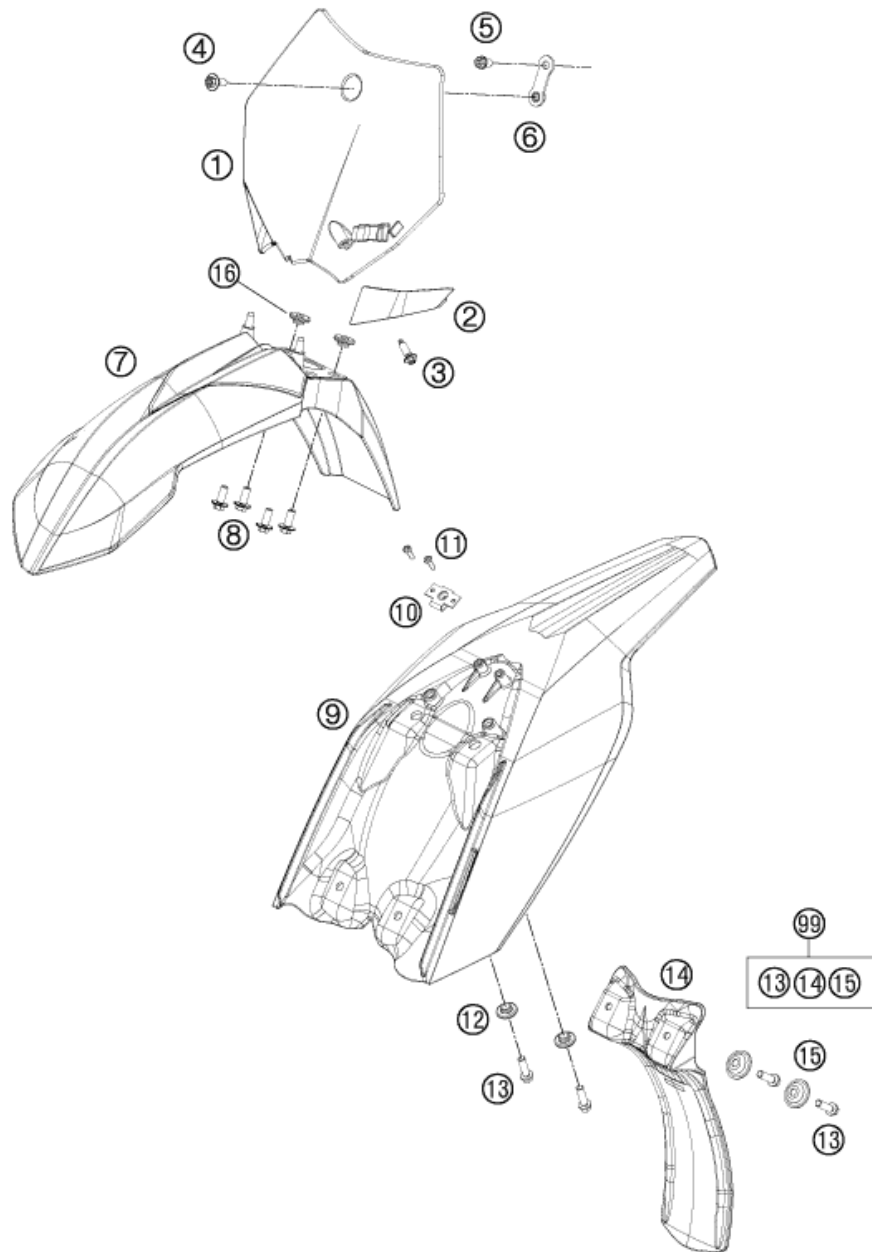
POS	PARTNUMBER	PARTNAME	PIECE
1	4520701303330	FUEL TANK CPL. 50 SX 2009	1
2	49007008044	FILLER CAP CPL. SMALL	1
3	58507003200	FUEL COCK CPL.	1
4	0770020130	O-RING 1,78x10,82x14,38 2-013	1
5	0017060203	% EJOT PT SCREW K60X20 WS=6	2
6	58307016001	FUEL HOSE VITON 6X1,5 PER/M	1
7	45031005000	YDNAC-CLAMP FUEL HOSE (8MM)	2
8	78007000270	PVC-HOSE 5,6X10X270MM	1
9	45107011000	TANK SCREW MINI 50 2001	1
10	50307014000	TANK ROLLER 12X26X12 '98	1
11	45207040000	SEAT 50 SX 09	1
12	45007040051	QUICK RELEASE CPL. 50 SXR '97	1
13	50307014000	TANK ROLLER 12X26X12 '98	2
14	0025060126	HH COLLAR SCREW M6X12 TX30	2
15*	4520805400004A	SPOILER SET ORANGE 50SX 2012	1
16	0017060204	%EJOT PT SCREW K60X20 ALU WS=6	6

124520710

C124520711

* NEW PART

X ON DEMAND



124520811

POS	PARTNUMBER	PARTNAME	PIECE
1	4520800700028	START NUMBER PLATE	1
2	4520802200030	BRAKE HOSE GUIDE	1
3	0017060204	%EJOT PT SCREW K60X20 ALU WS=6	1
4	0024060106	HH COLLAR SCREW M6X10 TX30	1
5	0025060106	HH COLLAR SCREW M6X10 TX30	1
6	45208007050	RETAINING PLATE F. NUMBER PL.	1
7	45208010000X4	FENDER FRONT SX 2010	1
8	0024060156	HH COLLAR SCREW M6X15 TX30	4
9	4520801300028	REAR PART WHITE	1
10	45007040050	QUICK RELEASE LATCHPLATE	1
11	0981350163	SHEET MET.SCR.DIN7981- 3,5X16	2
12	54808020000	SPACER BUSHING 03	2
13	0025060206	HH COLLAR SCREW M6X20 TX30	4
14	45206010000	SPLASH PROTECT. 50 SX 2009	1
15	72210079000	BUCKET	2
16	50213161000	COLLAR BUSHING	2
99	45206010010	SPLASH PROTECTOR KIT 50 SX	1

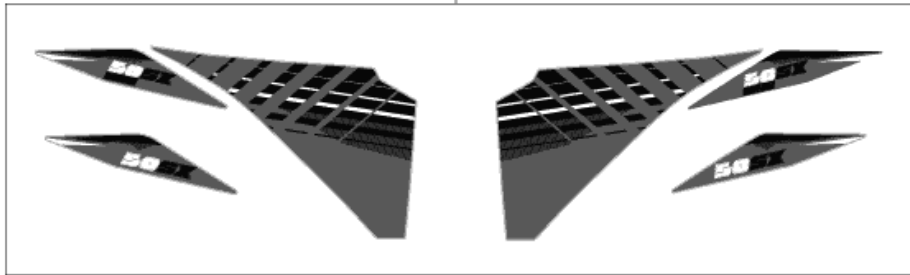
C124520811

* NEW PART

X ON DEMAND

POS	PARTNUMBER	PARTNAME	PIECE
1*	45208097144	DECALSET 50 SX / MINI 2012	1

①

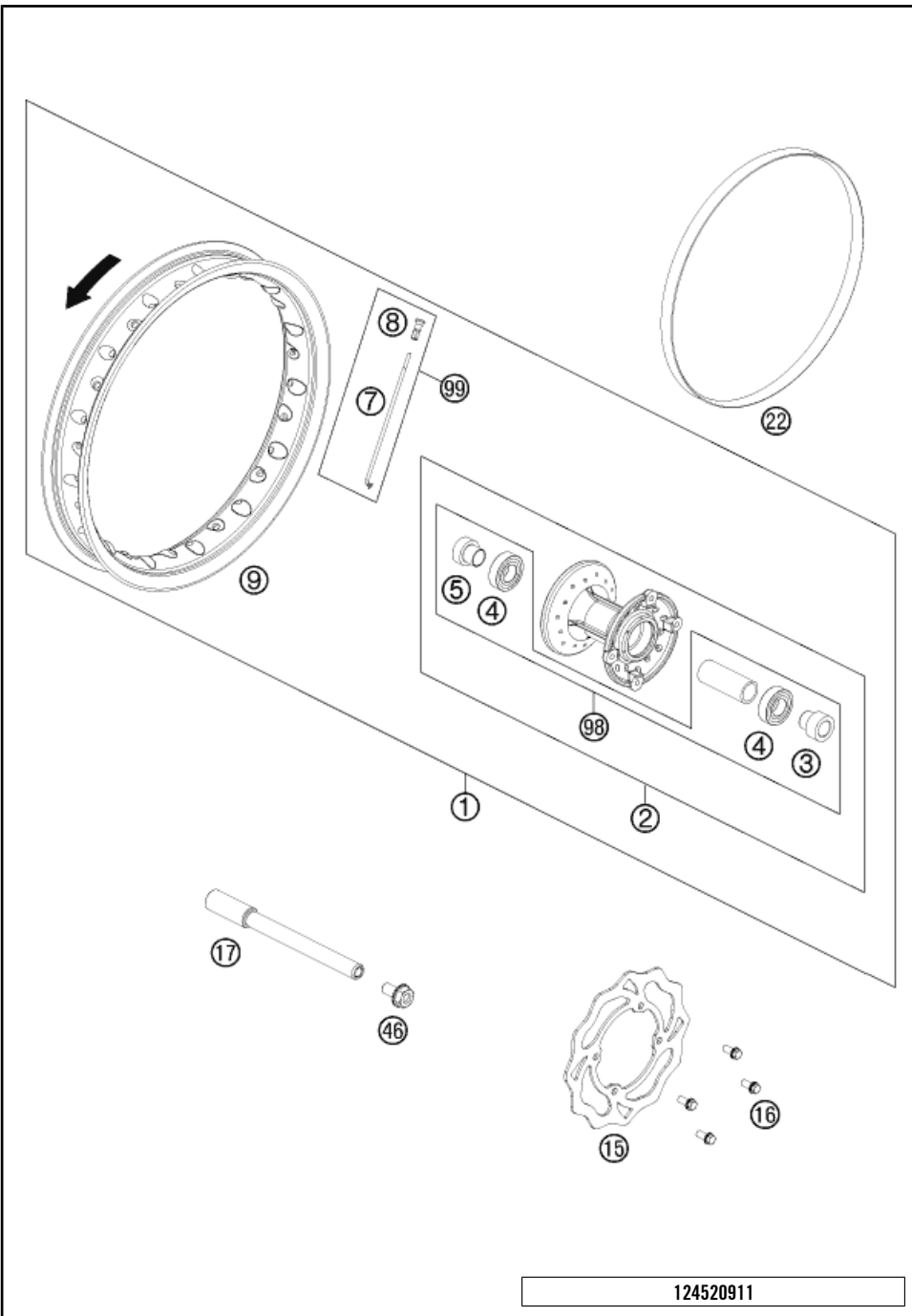


124520830

C124520830

* NEW PART

X ON DEMAND

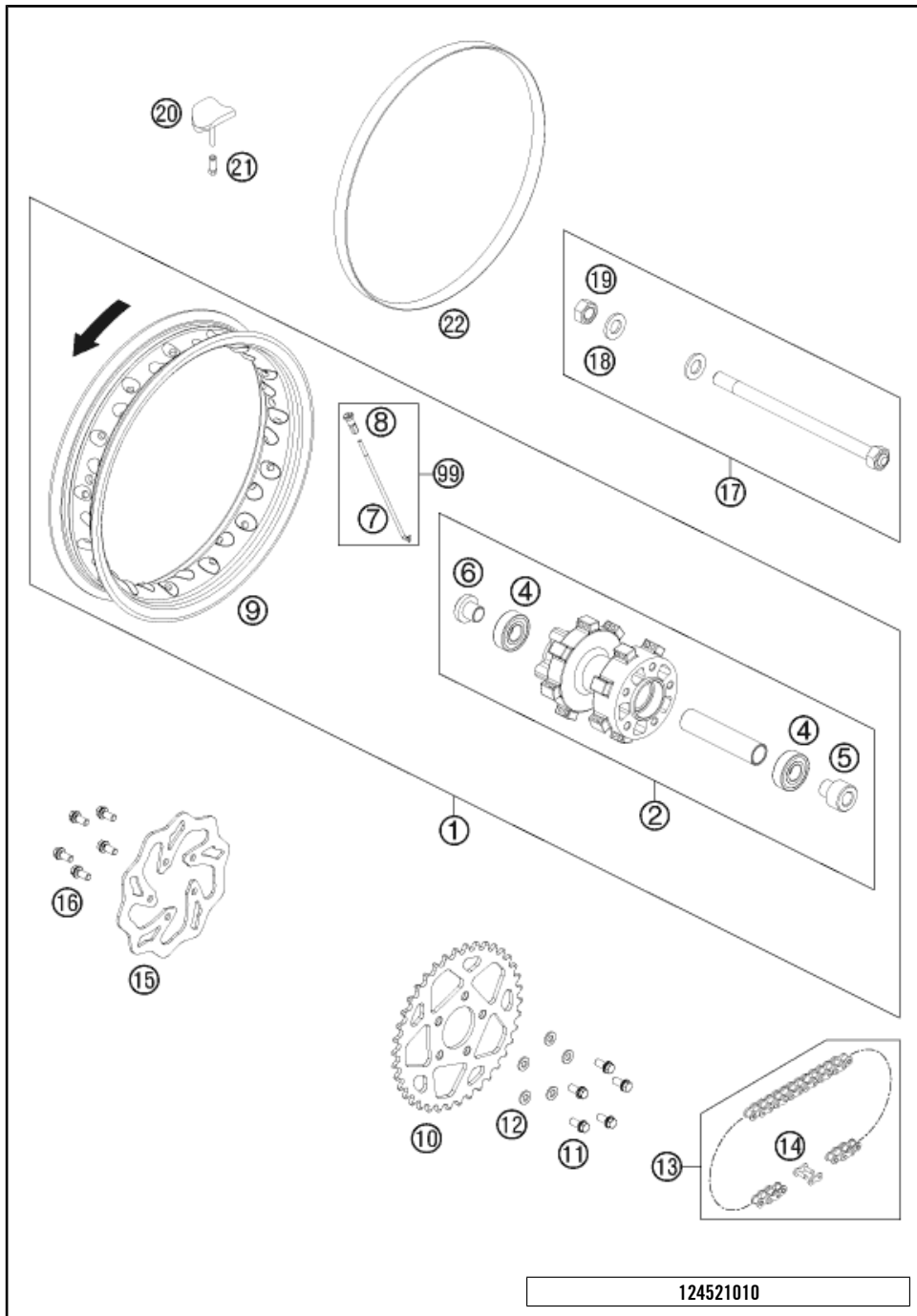


POS	PARTNUMBER	PARTNAME	PIECE
1*	45209001244	FRONT WHEEL 50 SX 2012	1
2*	45209010044	FRONT WHEEL HUB CPL.	1
3	45209012000	SPACER BUSHING LEFT	1
4*	0625060037	GR.BALL BEAR. 6003-2RSH/C3HMTF	2
5	45209013000	SPACER BUSHING RIGHT	1
7*	45209071126	SPOKE 3X126C.110°C.5 Zinc 2012	28
8*	46210072000	SPOKE NIPPLE ALU	28
9*	4520907020030	FRONT RIM 12"X1,5 SCHW.12	1
15	45209060000	BRAKE DISC FRONT JUN/SEN 09	1
16	59009062013	SPECIAL SCREW M6X13 WS=8 10.9	4
17*	45209081000	AXLE FRONT	1
22	45109073100	RIM BAND 12"	1
46*	49032011000	HH COLLAR SCREW M10X20 WS=17	1
98	45209015000	FRONT WHEEL REP. KIT 50 SX	x
99	00050000964	SPOKE KIT FRONT 12" '12-'14	x

124520911

C124520911

* NEW PART X ON DEMAND

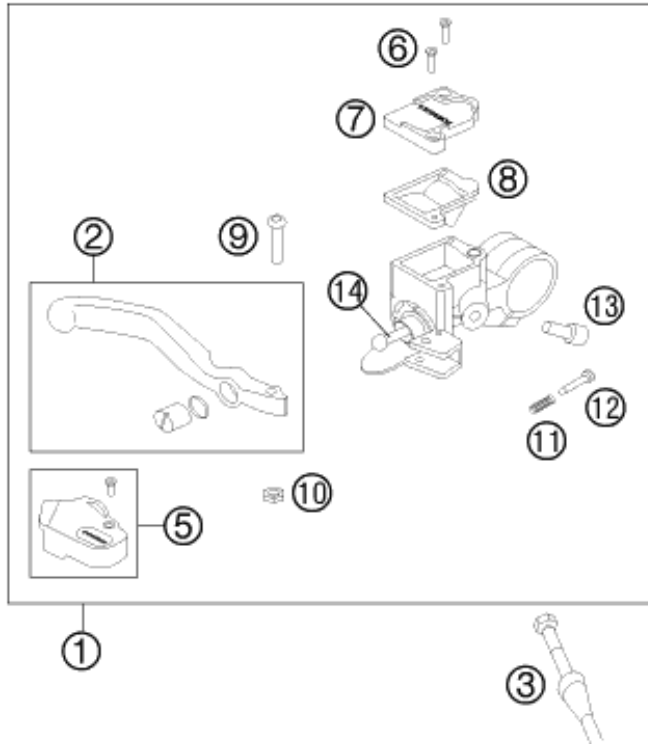


POS	PARTNUMBER	PARTNAME	PIECE
1*	45210001344	REAR WHEEL 50SX/MINI 2012	1
2	45110010144	REAR WHEEL HUB CPL. 2004	1
4	0625062028	BALL BEARING 6202-2RSH/C3	2
5	45110014000	DISTANCE SLEEVE L/S	1
6	45110013000	DISTANCE SLEEVE R/S	1
7*	45210071113	SPOKE 3X113 C.166° C.2,3	28
8*	46210072000	SPOKE NIPPLE ALU	28
9*	4521007010030	REAR RIM 10"X1.6 BLK. 2012	1
10	45210051038	SPROCKET 38-T 50 SX 2009	x
10	45210051039	SPROCKET 39-T 50 SX 2009	x
10	45210051040	SPROCKET 40-T 50 SX 2009	x
10	45210051041	SPROCKET 41-T 50 SX 2009	x
10	45210051042	SPROCKET 42-T 50 SX 2009	x
11	0015070203	HH COLLAR SCREW M 7X20 WS=11	5
12	45110052000	SHIM	5
13	45110265104	RACING CHAIN 1/2X3/16" 50 SX	1
14	45110266000	CONNECTING LINK 1/2X3/16" 90RS	1
15	45210060000	BRAKE DISC REAR D=140MM 09	1
16	59009062016	SPECIAL SCREW M6X16 WS=8 10.9	5
17	46010085044	AXLE CPL. 207MM M12X1	1
18	0125120003	FLAT WASHER DIN0125-A13	2
19	0934120103	HEXAGON NUT DIN0934-M12X1	2
20	45110090000	RIM LOCK CPL. 2004	1
21	50310090050	% NUT FOR WHEEL HOLDER '96	1
22	45009073000	RIM BAND 10" 22MM	1
99*	00050000953	SPOKE KIT REAR 10" '12	1

124521010

C124521010

* NEW PART X ON DEMAND



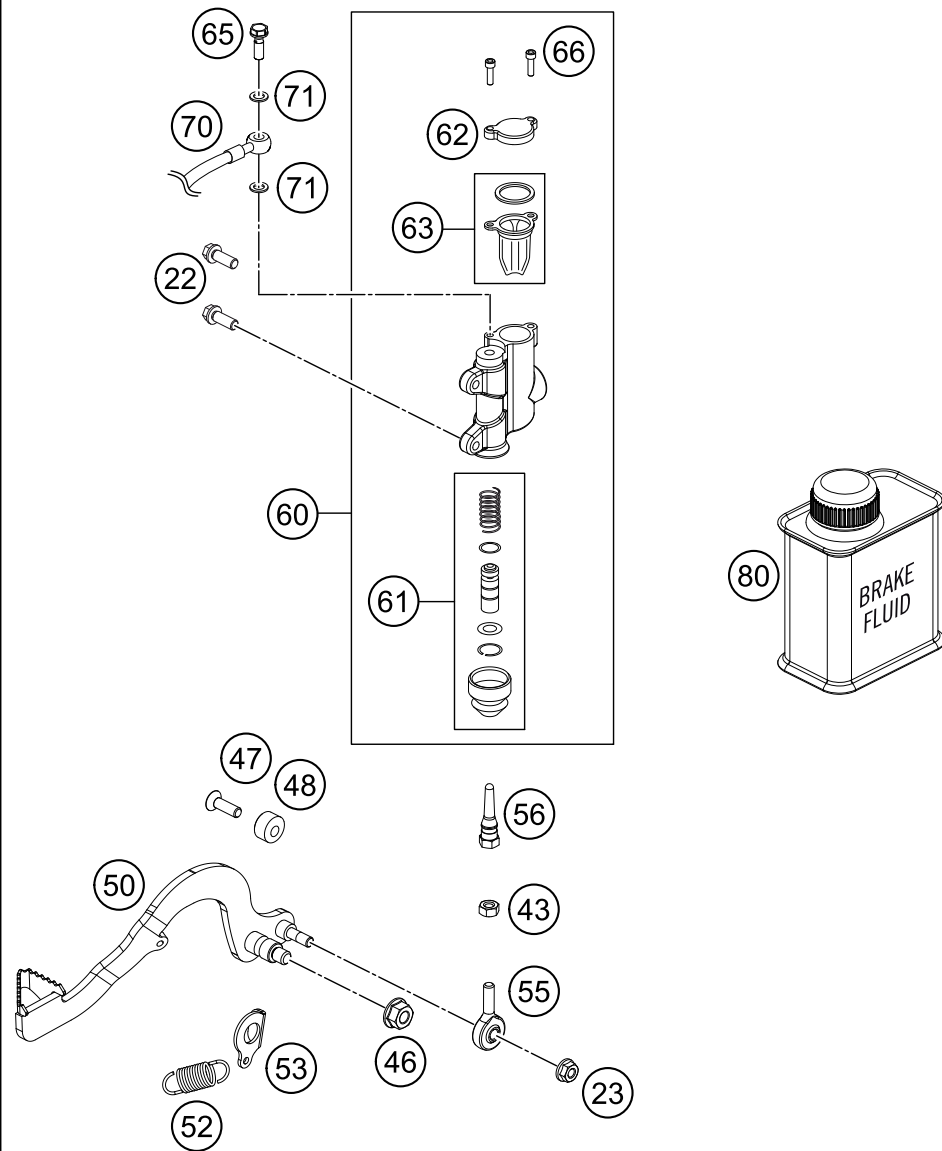
POS	PARTNUMBER	PARTNAME	PIECE
1	45113101044	HAND BRAKE CYLIND.CPL.50 LC 02	1
2	45113002000	HANDBRAKE LEVER CPL. R/S 02	1
3*	45213012100	BRAKE HOSE FR. 50SX	1
4	00062030000	BRAKE FLUID DOT5.1 0,25L	1
5	45113004000	PROT.CAP HAND BRAKE CYL. 50 LC	1
6	0966030083	OVAL HEAD SCREW DIN0966-M 3X8	2
7	45113003000	HAND BRAKE CYLINDER COVER 04	1
8	45113009000	GASKET HAND BRAKE CYLINDER 04	1
9	45113006000	SPECIAL-AH SCREW M 5X18	1
10	45113013000	NUT M5 DIN 6334	1
11	45113021000	SPRING FOR HAND BRAKE LEVER 04	1
12	45113007000	ADJUSTING SCREW M 3X16 04	1
13	0912050103	AH SCREW DIN0912-M 5X10	1
14	45113008000	REP.KIT PISTON FRONT 50 04	1

124521310

C124521311

* NEW PART

X ON DEMAND



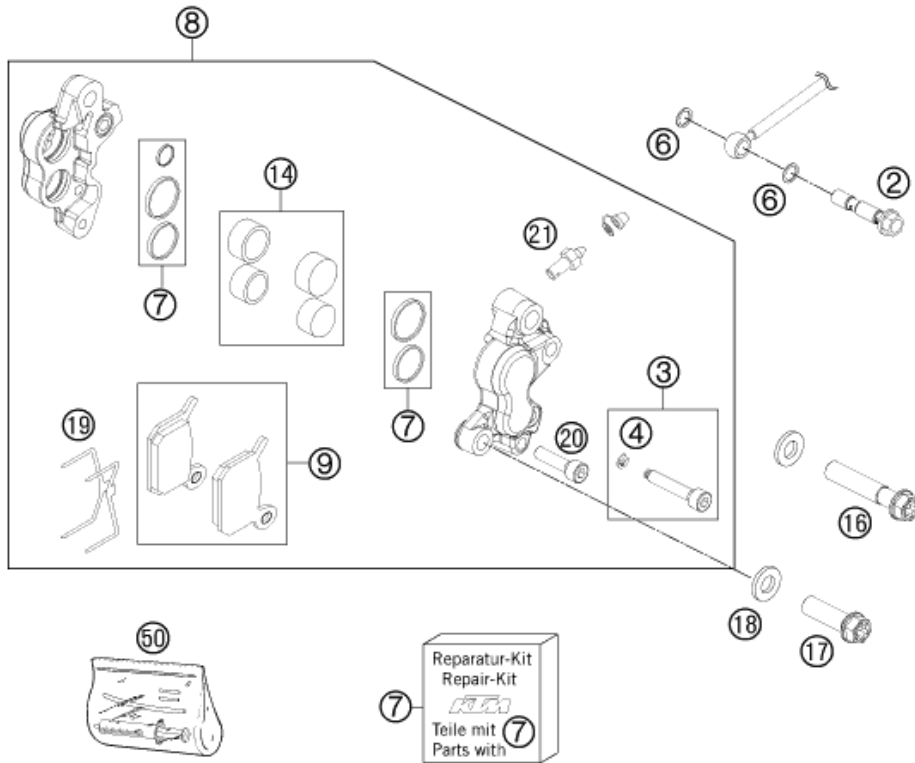
POS	PARTNUMBER	PARTNAME	PIECE
22	0025060166	HH COLLAR SCREW M6X16 TX30	2
23	56509064100	SELF LOCKING NUT M6 10.9	3
43	0934060003	HEXAGON NUT DIN0934-M 6	1
46	54310086200	SELF LOCKING NUT M8 10.9	1
47	0991060202	FLAT HEAD DIN7991-M 6X20	1
48	45203063000	BRAKE LEVER STOP	1
50	45213050000	FOOT BRAKE LEVER	1
52	54603062000	% RETURN SPRING FOR BRAKELEVER	1
53	45213053000	LOCK WASHER 50 SX	1
55	46213055000	SWIVEL HEAD KA6 INNOX	1
56	46213056000	PUSH ROD	1
60	46113060000	REAR BRAKE CYL. 50+65 04	1
61	47013061000	REP. SET PISTON REAR D=11 2003	1
62	47013062000	CYLINDER COVER REAR 85 SX 03	1
63	47013063000	GASKET CYLINDER COVER REAR 03	1
65	46113325000	HOLLOW SCREW M6	1
66	0912040103	AH.SCREW DIN0912-M 4X10	2
70	45113170000	BRAKE HOSE REAR 50 LC 04	1
71	0770060019	O-RING 6,00X1,00 FORMULA	2
80	00062030000	BRAKE FLUID DOT5.1 0,25L	1

124521330

C124521331

* NEW PART

X ON DEMAND



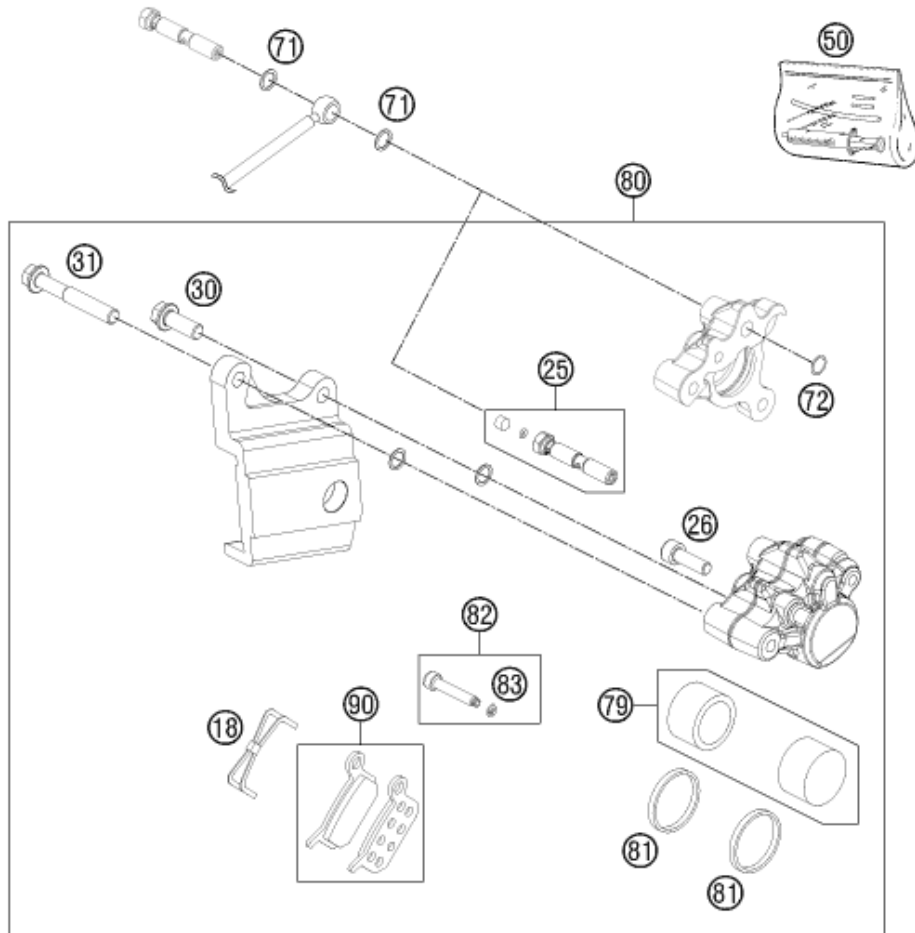
POS	PARTNUMBER	PARTNAME	PIECE
2	45113025000	HOLLOW SCREW M6X34 50 LC 2002	1
3	45113125000	AH SCREW+CIRCLIP LC 50 02	1
4	0799025000	TAB WASHER DIN6799 RS2,5	1
6	0770060019	O-RING 6,00X1,00 FORMULA	2
7	45113019000	REP.KIT SEAL RING 50LC 2002	1
8	45113015000	BRAKE CALIPER CPL.FR. 50 LC 02	1
9	45113030000	BRAKE PAD SET 50 LC 2002	1
14	45113019050	REPAIR KIT BRAKEPISTON	1
16	0025080406	HH COLLAR SCREW M8X40 TX40	1
17	0025080256	HH COLLAR SCREW M8X25 TX40	1
18	0125080003	WASHER DIN0125-A 8,4	2
19	45113018000	RETAINING SPRING 50 LC	1
20	0912050203	AH SCREW DIN0912-M 5X20	1
21	45113020000	BREATHER SCREW 50 2002	1
50	45119050000	BLEEDER INJECTION-SET 50-65	x

124521360

C124521360

* NEW PART

X ON DEMAND



POS	PARTNUMBER	PARTNAME	PIECE
18	45113018000	RETAINING SPRING 50 LC	1
25	46113225000	HOLLOW SCREW CPL.	1
26	0912050163	AH SCREW DIN0912-M 5X16	1
30	0025060206	HH COLLAR SCREW M6X20 TX30	1
31	0025060406	HH COLLAR SCREW M6X40 TX30	1
50	45119050000	BLEEDER INJECTION-SET 50-65	x
71	0770060019	O-RING 6,00X1,00 FORMULA	2
72	0770080019	O-RING 8,00X1,00 FORMULA	1
79	45113019100	REPAIR KIT BRAKEPISTON	1
80	45113080000	BRAKE CALIPER REAR CPL.50LC 04	1
81	0770022020	O-RING 22X2X2 EPDM	2
82	45113225000	AH SCREW + CIRCLIP 50/65 04	1
83	0799025000	TAB WASHER DIN6799 RS2,5	1
90	45113030000	BRAKE PAD SET 50 LC 2002	1

124521390

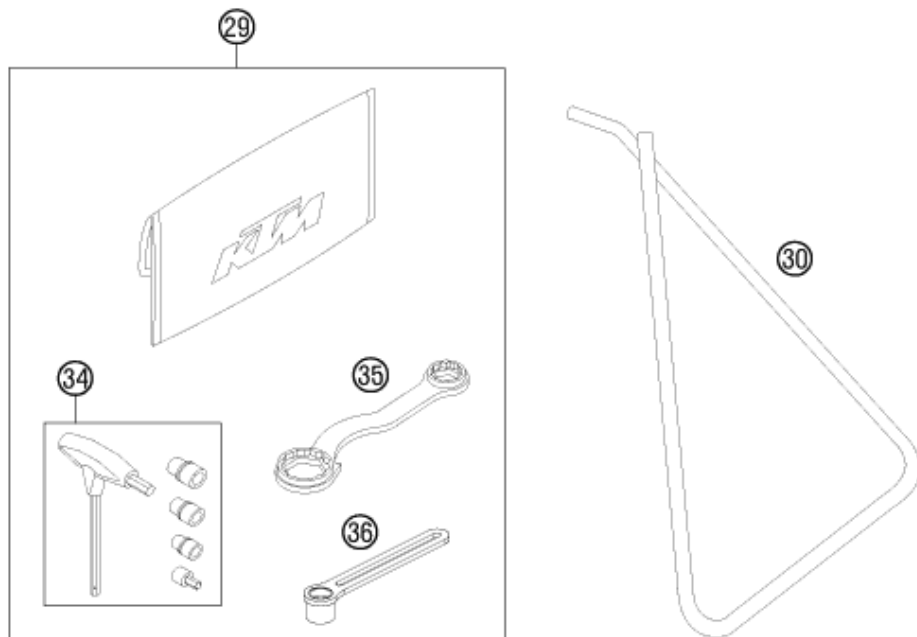
C124521390

* NEW PART

X ON DEMAND

①
OHNE ABBILDUNG
WITHOUT ILLUSTRATION

①
TECHNISCHE DOKUMENTATION
TECHNICAL DOCUMENTATION
DOCUMENTACION TECNICA
DOCUMENTATION TECHNIQUE
NOTE TECNICHE



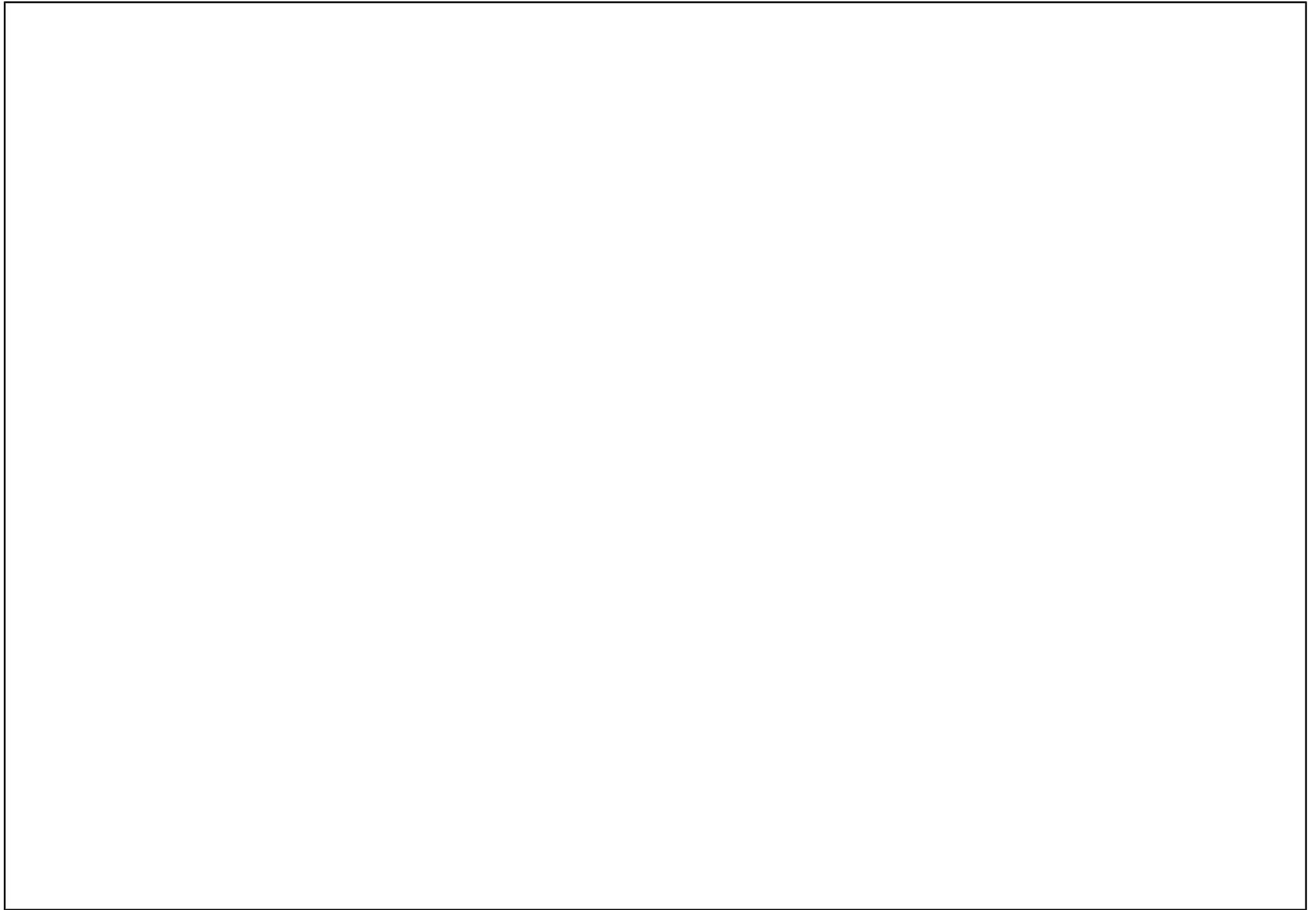
124522000

POS	PARTNUMBER	PARTNAME	PIECE
0	312313	KTM BALLPOINT PEN ORANGE	1
0	312305	DOCUMENTS BAG 2006	1
1*	3211711EN	OWN.MAN. 50SX/SX MINI 2012	1
1	322000	SAFETY BROCHURES SPORTMINICYC.	1
29	45229099000	TOOL KIT 50 SX 09	1
30	45103023300	PLUG-IN STAND 50 SEN LC 03	1
34	60029070200	% T-WRENCH WS=6/8/10 TX=45 B&F	1
35	50329080100	WRENCH SW=17/21/27/32 B&F	1
36	45229073000	SPARK PLUG WRENCH	1

C124522001

* NEW PART

X ON DEMAND







WWW.KTM.COM



KTM Sportmotorcycle GmbH
5230 Mattighofen, Austria
www.ktm.com



KTM_POWERPARTS

KTM_POWERWEAR

KTM_ORIGINAL SPARE PARTS



3CF 6001L4EN

Art. Nr.: 3CF 6001L4EN 11. Jul 2016