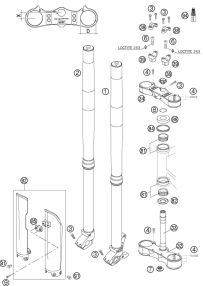
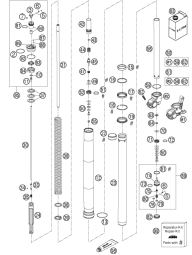
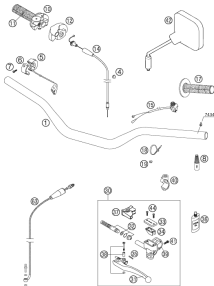
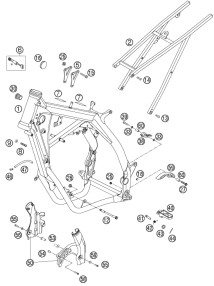
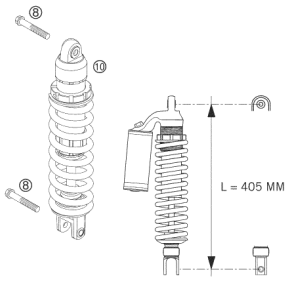
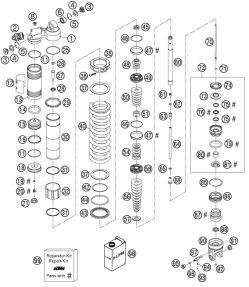
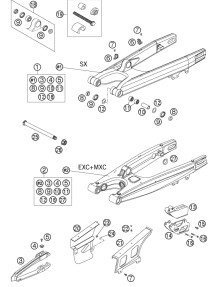
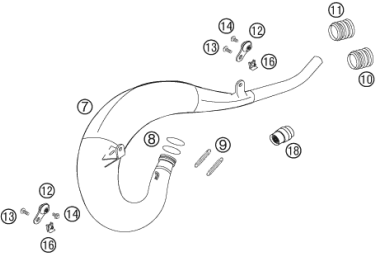
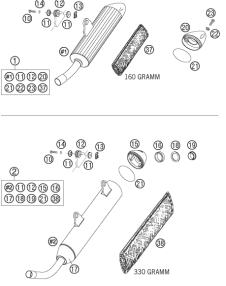
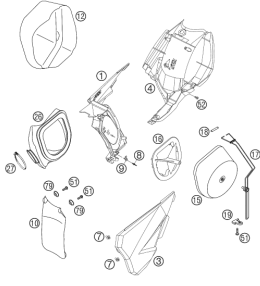
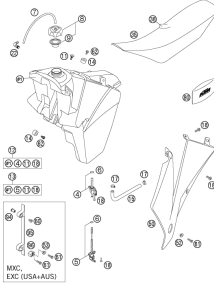
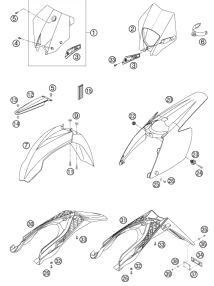
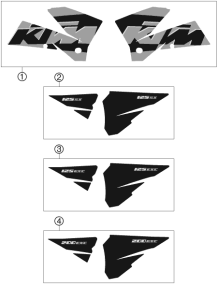
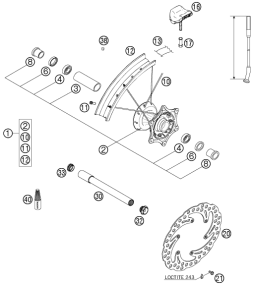
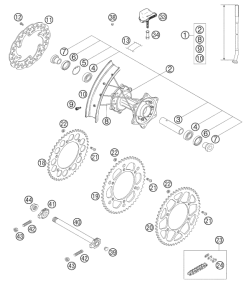
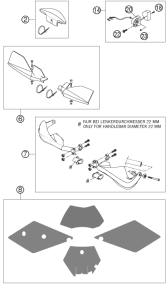
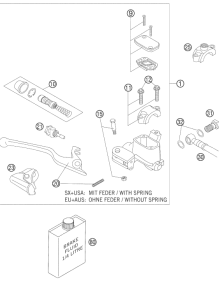
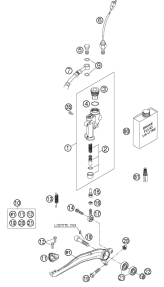
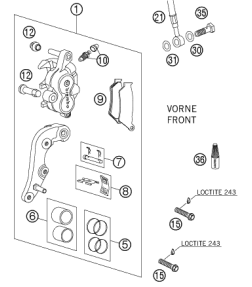
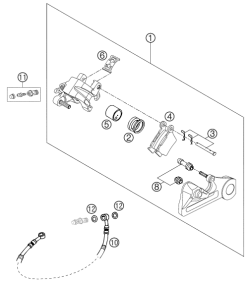
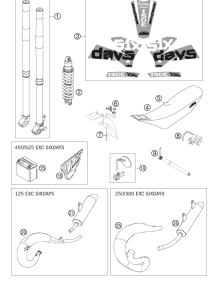


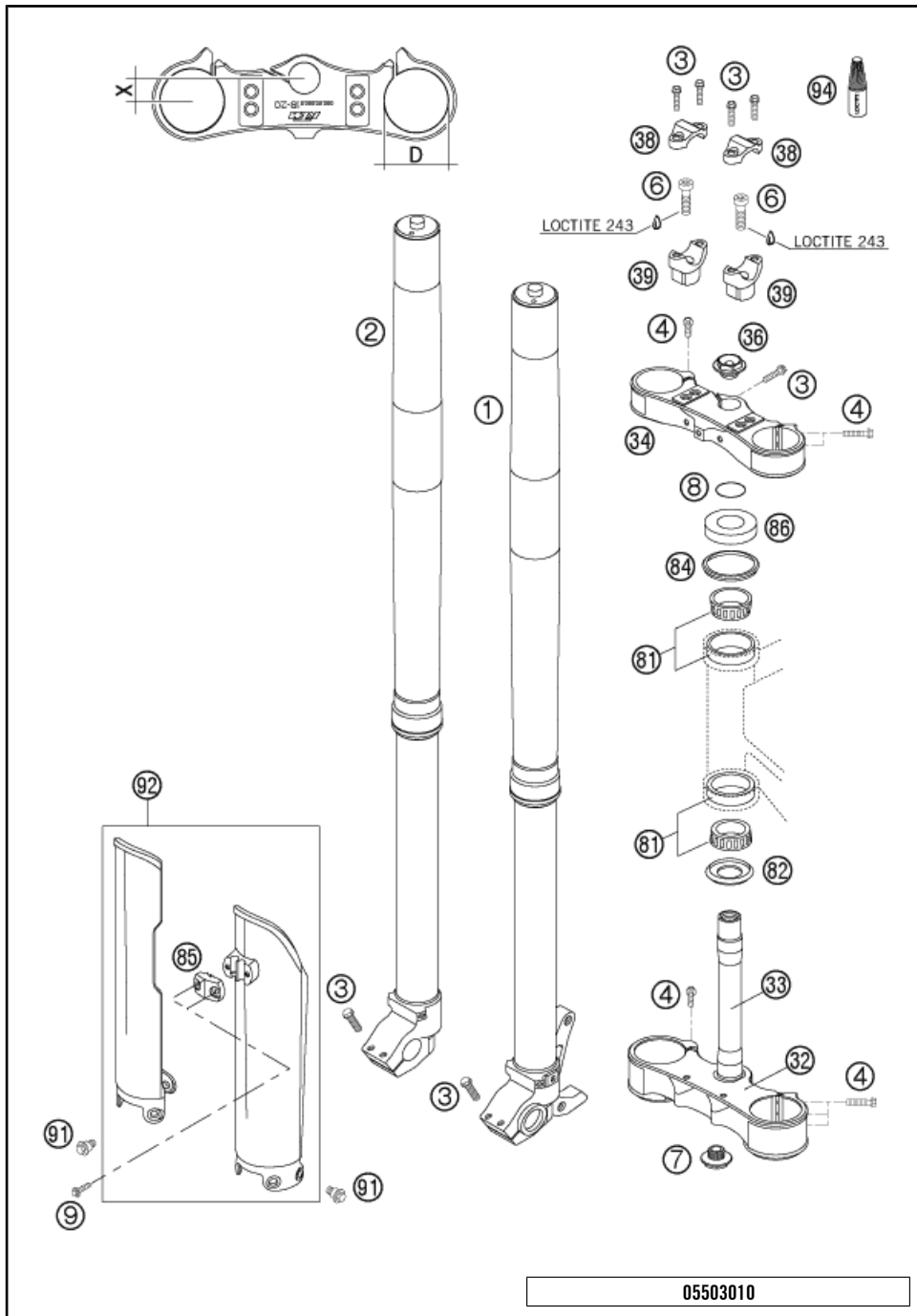
125 SX 2005

ART.-NR.: 3CF 6101E0EN



<p>FRONT FORK, TRIPLE CLAMP</p>  <p style="text-align: right;">3</p>	<p>FRONT FORK DISASSEMBLED</p>  <p style="text-align: right;">4</p>	<p>HANDLEBAR, CONTROLS</p>  <p style="text-align: right;">7</p>	<p>FRAME</p>  <p style="text-align: right;">8</p>
<p>SHOCK ABSORBER</p>  <p style="text-align: right;">10</p>	<p>SHOCK ABSORBER DISASSEMBLED</p>  <p style="text-align: right;">11</p>	<p>SWING ARM</p>  <p style="text-align: right;">15</p>	<p>EXHAUST SYSTEM</p>  <p style="text-align: right;">16</p>
<p>SILENCER</p>  <p style="text-align: right;">17</p>	<p>AIR FILTER</p>  <p style="text-align: right;">18</p>	<p>TANK, SEAT, COVER</p>  <p style="text-align: right;">19</p>	<p>MASK, FENDERS</p>  <p style="text-align: right;">21</p>

<p>DECAL</p>  <p style="text-align: right;">22</p>	<p>FRONT WHEEL</p>  <p style="text-align: right;">23</p>	<p>REAR WHEEL</p>  <p style="text-align: right;">24</p>	<p>ACCESSORIES</p>  <p style="text-align: right;">26</p>
<p>HAND BRAKE CYLINDER</p>  <p style="text-align: right;">27</p>	<p>REAR BRAKE CONTROL</p>  <p style="text-align: right;">28</p>	<p>BRAKE CALIPER FRONT</p>  <p style="text-align: right;">29</p>	<p>BRAKE CALIPER REAR</p>  <p style="text-align: right;">30</p>
<p>NEW PARTS</p>  <p style="text-align: right;">31</p>	<div style="display: flex; align-items: center;"> <div style="background-color: #cccccc; width: 60px; height: 60px; display: flex; align-items: center; justify-content: center; margin-right: 20px;"> ! </div> <div> <p>All information contained is without obligation. KTM-Sportmotorcycle AG particularly reserves the right to modify any equipment, technical specifications, prices, colors, shapes, materials, services, service work, constructions, equipment and the like so as to adapt them to local conditions or to cancel any of the above items, all without previous announcement and without giving reasons. KTM may stop manufacturing certain models without previous notice. KTM shall not be held liable for any deviations of availability and/or ability to deliver, illustrations, descriptions, printing and/or other errors. The illustrated models partly contain extra equipment, which is not applied to standard models.</p> <p>© by KTM-SPORTMOTORCYCLE AG, Mattighofen AUSTRIA; All rights reserved; Reprint, also in extracts, with written allowance of KTMSPORTMOTORCYCLE AG, Mattighofen only.</p> </div> </div>		



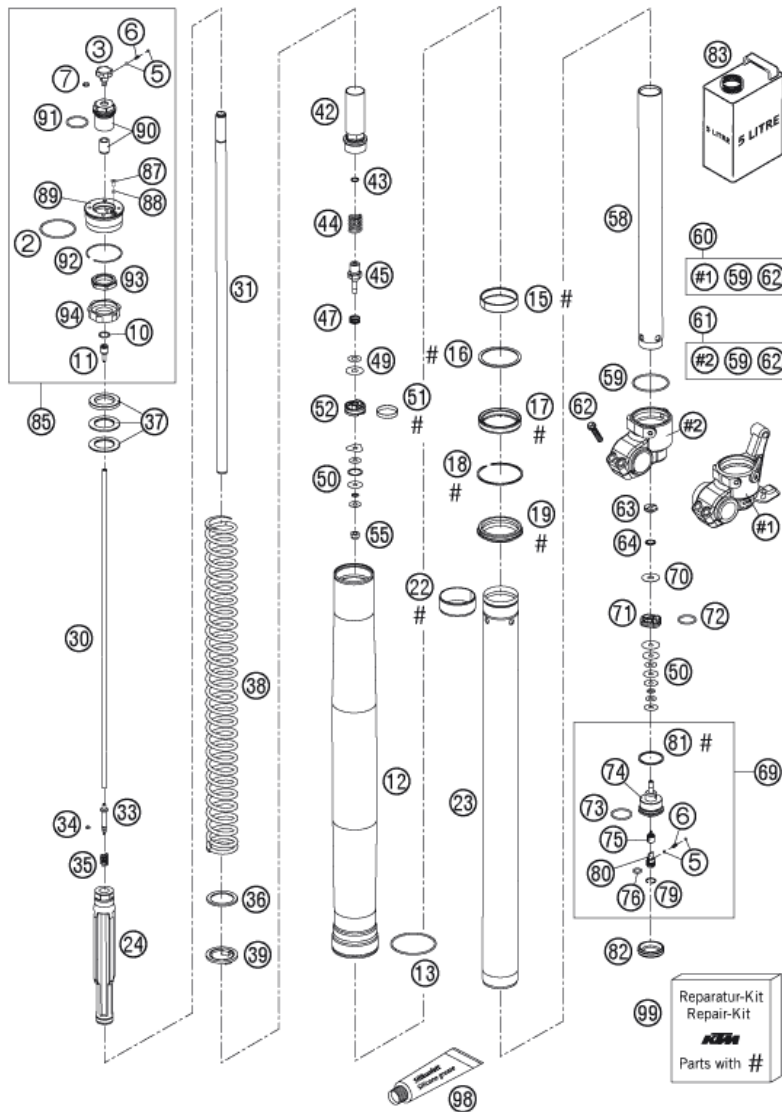
POS	PARTNUMBER	PARTNAME	PIECE
1*	14187A01LS	FORK LEG L/S WP48 SX 05	1
2*	14187A01RS	FORK LEG R/S WP48 SX 05	1
3*	0015080253	%HH COLLAR SCREW M 8X25 WS=10	9
4*	0015080353	HH COLLAR SCREW M 8X35 WS=10	10
6*	0912100356	%AH SCREW DIN6912-M10X35 10.9	2
7*	54801036100	STE.HEAD SCR. M20X1,5 WS=27 SL SELF-LOCKING	1
8*	0770025035	O-RING 25X3,55 NBR70 05	1
9	0017060204	%EJOT PT SCREW K60X20 ALU WS=6	2
32*	59401031019	BOTTOM TRIPLE CLAMP D=60MM 05	1
33*	59401033000	FORK TUBE L=237MM 05	1
34*	59401034019	TOP TRIPLE CLAMP D=54MM 05	1
36	54801036000	STEER.HEAD SCREW M20X1,5 WS=27	1
38*	59401038000	% HANDLEBAR CLAMP 28MM 05	2
39*	59401039032	HANDLEB.SUPP. D=28MM H=32MM 05	x
39*	59401039037	HANDLEB.SUPP. D=28MM H=37MM 05	2
39*	59401039042	HANDLEB.SUPP. D=28MM H=42MM 05	x
81	54201081000	% TAPERED ROLLER BEARING CPL.	2
82	54601084100	%O-RING SUPPORT W. SEALING LIP	1
84	54601184000	STEERING HEAD GASKET TOP	1
85	59001085100	CLAMP F.SPEED.CABLE D=6MM 2001	1
86	54201086000	% STEERING HEAD COVER	1
91	59001092050	SPECIAL SCREW M6X12,5 WS=8	6
92	5900109400030	%FORK PROTECT L/S+R/S BLACK 02	1
94	6899785	LOCTITE 243 BLUE 6CCM	1

05503010

C05503010

* NEW PART

X ON DEMAND



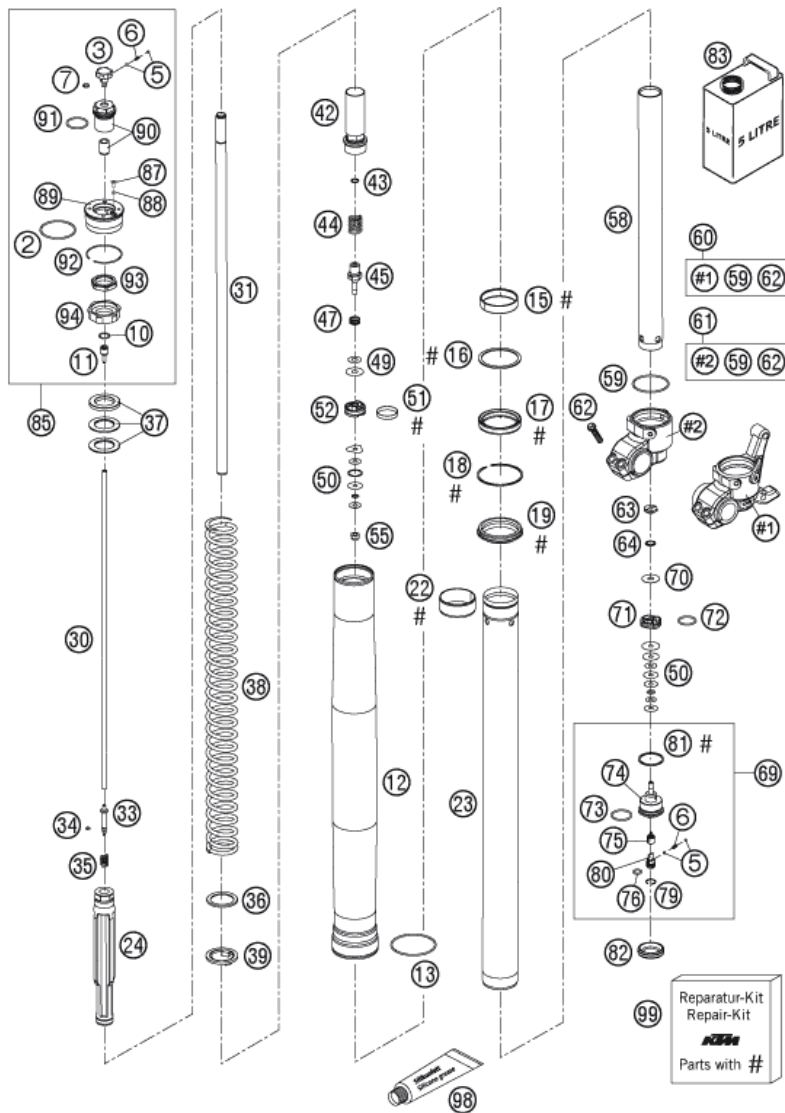
05503012

POS	PARTNUMBER	PARTNAME	PIECE
2	46810340	O-RING NBR 45X2	2
3	48600018	KNOB REBOUNG ADJUSTER	2
5	40540603	STEEL BALL D=3MM	8
6	48600028	SPRING D=2,9 L=7,9	4
7	48600044	O-RING NBR 6X1,5	2
10	48600043	O-RING NBR 12X1,5	2
11	48600019	HOLDER F.ADJUSTMENT TUBE D=4MM	2
12*	48600381	% OUTER TUBE L=577MM D=54/60MM	2
13	48600016	GUIDING RING D=58MM	2
15	48600205	% DU-BUSH 48X52X12	2
16	48600013	SUPPORT RING 50 X 57,6 X 1,5	2
17*	48600399	OIL SEAL RING 48X57,8X9,5	2
18	48600070	LOCK WASHER SB58	2
19*	48600400	DUST CAP D=48 58,4X11,8	2
22	48600204	% DU-BUS 47X49X20	2
23*	48600377	% INNER TUBE D=48 L=595 2005	2
24*	48600380S	%HYDR.STOP L=200MM D=31,9 CPL.	2
30	48600092	ADJUSTMENT TUBE L=517MM	2
31*	48600409	PISTON ROD D=14 L=551 M11X1	2
33	48600189	NEEDLE REBOUND 2003	2
34	48600046	O-RING NBR 3X1,5	2
35	48600033	SPRING REBOUND NEEDLE C=4N/MM	2
36	48600113	WASHER 32X42X2,5	2
37	48600036	SPACER 42X26,5X2,5	2
37	48600037	SPACER 42X26,5X5	4
37	48600053	SPACER 42X26,5X1,5	2
38	91410011S	SPRING 3,6N/MM SET	x
38	91410012S	SPRING 3,8N/MM SET D=4,9MM	x
38	91410013S	SPRING 4,0N/MM SET D=5,0MM	x
38	91410014S	SPRING 4,2N/MM SET D=5,0MM 125 SX	1
38	91410015S	SPRING 4,4N/MM SET D=5,1MM 250 SX	1
38	91410016S	SPRING 4,6N/MM SET	x
38	91410017S	SPRING 4,8N/MM SET	x
39	48600021	INTERM. RING 26,2 X 43 X 3	2
42*	48600383S	SCREW SLEEVE M29,3X1 L=90 CPL.	2
43	48600239	O-RING NBR 8X1,25	2
44*	48600403	REBOUND SPRING D=15MM L=34,5MM	2

C05503012

* NEW PART

X ON DEMAND



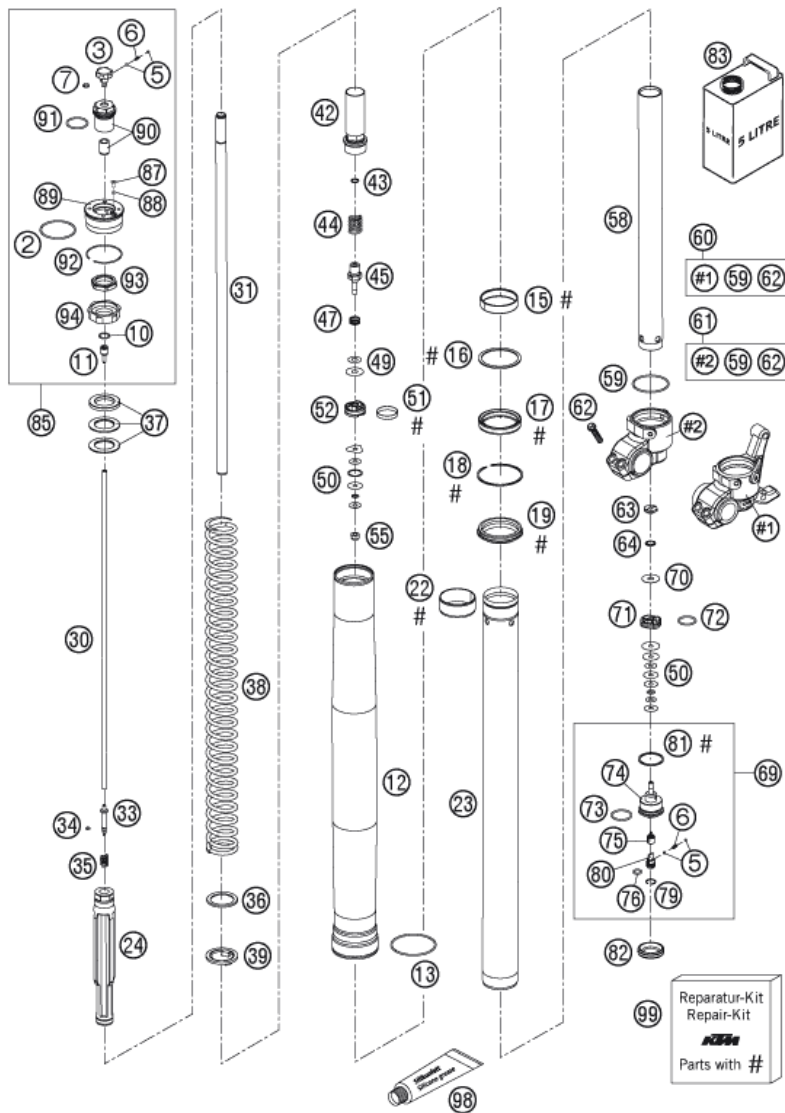
05503012

POS	PARTNUMBER	PARTNAME	PIECE
45	48600203	TAB REBOUND D=3 03	2
47	35480377	SPRING CHECK VALVE D=0,5	2
49*	48600062	CHECK VALVE 8X24X0,1	8
49*	48600068	% CHECK VALVE 8X18X0,1	2
49	48600215	CHECK VALVE 8X20X0,1	2
49*	48600216	CHECK VALVE 8X22X0,1	2
49*	48600352	CHECK VALVE 8X11X0,4	4
49*	48600357	CHECK VALVE 8X11X0,1	2
50	48600063	SHIM 6X24X0,1	x
50	48600064	SHIM 6X22X0,1	x
50	48600065	SHIM 6X20X0,1	x
50	48600116	SHIM 6X24X0,1 DELTA	x
50	40540400	SHIM 6X12X0,1	x
50	40540401	SHIM 6X14X0,1	x
50	40540402	SHIM 6X16X0,1	x
50	40540403	SHIM 6X18X0,1	x
50	40540414	SHIM 6X16X0,25	x
50	40540415	SHIM 6X18X0,25	x
50	40540447	SHIM 6X10X0,3	x
50	40540450	SHIM 6X9,5X0,3	x
51	48600060	PISTON RING 5X1X84	2
52	48600042	PISTON REBOUND D=27,7	2
55	40540486	NUT M6X0,5 REBOUND	2
58	48600081	TUBE 29,3X1X390 D=8,5MM	2
59	48600048	O-RING NBR 46 X 2	2
60	48600237S	% AXLE CLAMP L/S CPL. USD48 04	1
61	48600238S	AXLE CLAMP R/S CPL. USD48 04	1
62	0015080253	%HH COLLAR SCREW M 8X25 WS=10	4
63	48600163	CHECK VALVE NUT M6X0,5 D=2	2
64	48600202	SPRING CHECK VALVE D=0,7	2
69	48600152S1	% TAP COMPRESSION CPL. 03	2
70	48600061	CHECK VALVE 8X24X0,4	2
71	48600047	PISTON COMPRESSION D=27,9	2
72	46811499	O-RING NBR 21X2	2
73	35480320	O-RING NBR 24X2	2
74	48600152	% TAP COMPRESSION	2
75	48600190	NEEDLE COMPRESSION 2003	2
76	48600049	O-RING NBR 8X2	2

C05503012

* NEW PART

X ON DEMAND



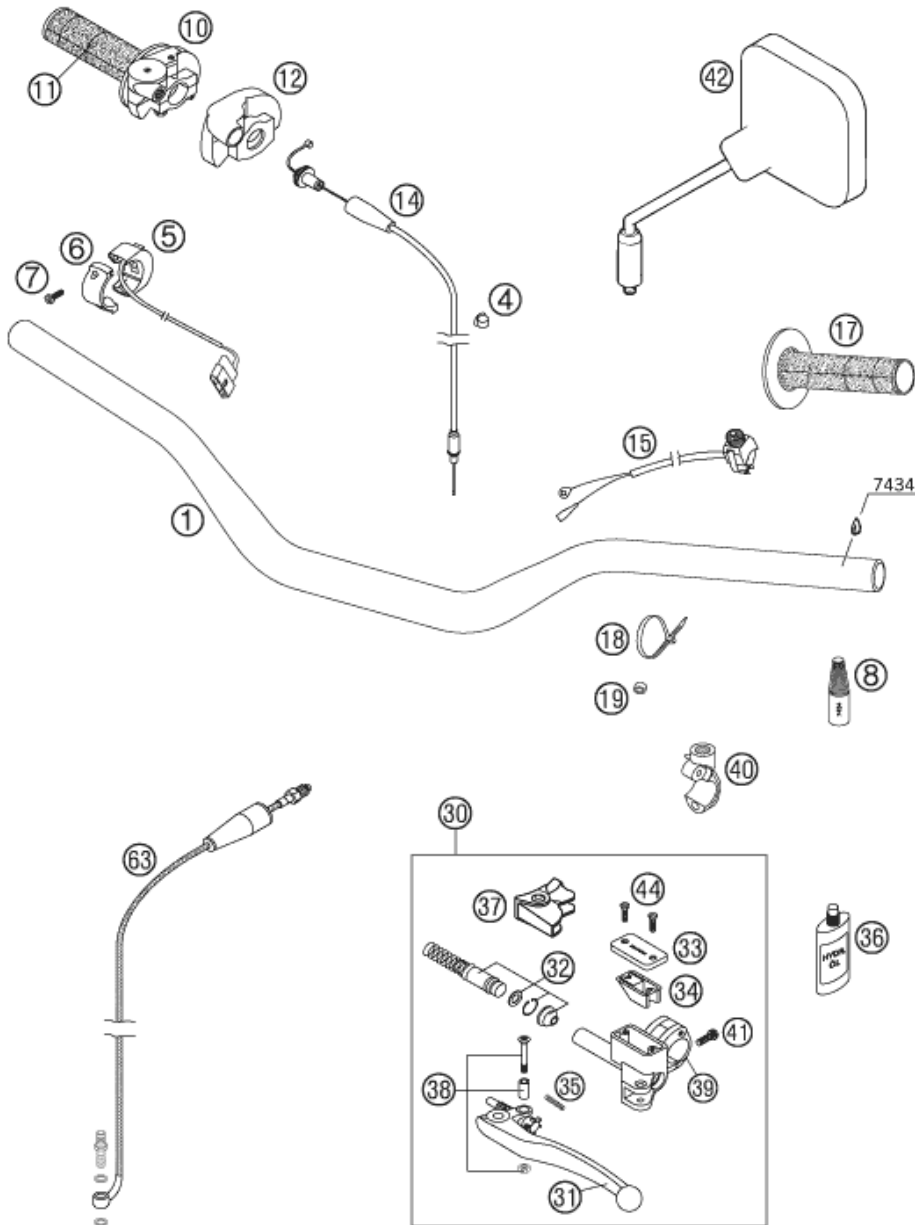
POS	PARTNUMBER	PARTNAME	PIECE
79	48600051	LOCK WASHER RB12	2
80	48600034	COMPRESSION ADJ. SCREW	2
81	48600004	COPPER WASHER 29,5X33,5X1	2
82	48600141	RUBBER CAP D=35MM	2
83*	48600401S1	% FORK OIL SAE5 5L 2005	1
85	48600075S	PRE-LOAD ADJUSTER CPL.(1 PC.)	2
87	48600076	% VENT SCREW M4X8	2
88	48600046	O-RING NBR 3X1,5	2
89	48600075	SCREW CAP M51X1,5	2
90*	48600073S	ADAPTER ADJUST. KNOB + BUSHING	2
91	48600077	O-RING NBR 26X2	2
92	46810010	CIRCLIP 49X1,5	2
93	48600072	LOCKNUT	2
94	48600071	SUPPORT RING FOR SPRING	2
98*	T511	SILICONE GREASE F. DUST STRI	1
99*	R14009	REPAIR-KIT GASKET 4860 MXMA 05	1

05503012

C05503012

* NEW PART

X ON DEMAND



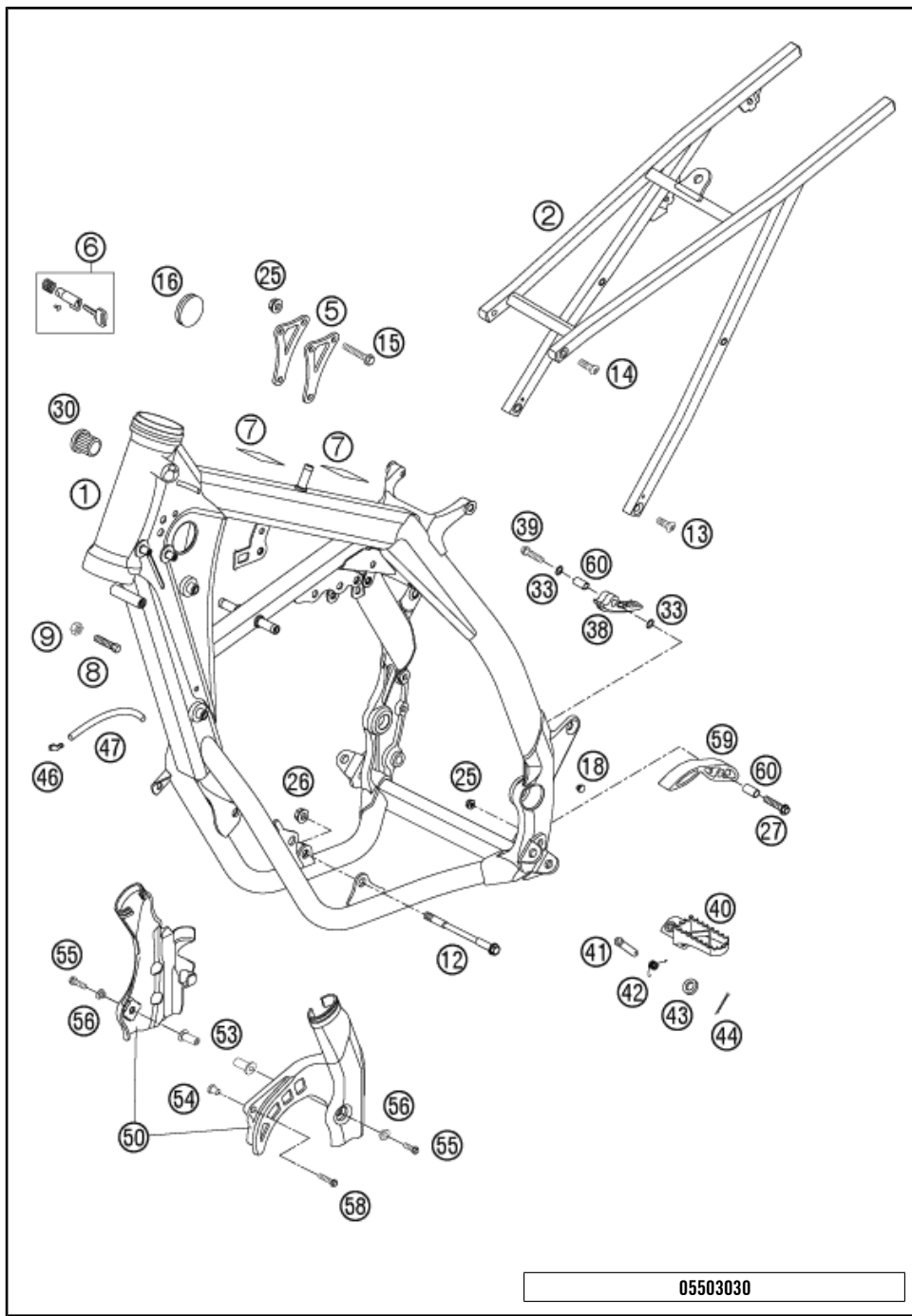
POS	PARTNUMBER	PARTNAME	PIECE
1	54802001100	% HANDLEBAR D=28MM HIGH 04	1
4	57013072000	WIRING HOLDER 12MM	1
5*	50311074100	ENGINE STOP SWITCH CEV EXC AUSTRALIA	1
6	50311074050	CLAMP ENGINE STOP SWITCH	1
7	0985040203	FLAT HEAD SCREW DIN7985-M 4X20	2
8	6899792	% GRIP GLUE	1
10	54802010000	%TH.TWIST CRIP CPL. W.O.CA. 04	1
11	54802013000	%TWIST GRIP COVER RENTHAL 04	1
12	50302020000	PROTECTION COVER '97	1
14	50302091000	% THROTTLE C. 125-380 DOM/KEIH	1
15	50311089200	SHORT CIRCUIT BUTTON 02 SX, EXC USA	1
17	54802039000	% FIXED GRIP RENTHAL 04	1
18	44011076200	CABLE TIE 200/3,6MM BLACK	1
19	50301089000	SPACER BUSHING 6X10X5	1
30	50302030200	MASTER CYLINDER CPL. 9,5MM 04 ZINKCOATED	1
31	54602031000	CLUTCH LEVER SHORT CPL. 2003	1
31	59002031000	CLUTCH LEVER LONG CPL. 2003	x
32	59002032000	REP.KIT PISTON 9,5MM RAC. 2000	1
33	50302033100	COVER HYD.CLUTCH 2T 2000 ZINKCOATED	1
34	50302034000	RUBBER FOR RESERVOIR '98	1
35	59002035000	SPRING FOR CLUTCH LEVER 03	1
36*	50302036200	OIL FOR HYD. CLUTCH 100 ML	1
37	50302037000	PROTECT.CAP FOR LEVER PERCH'98	1
38	50302038000	LEVER SCREW CPL. 125-200 '98	1
39	50302030150	CLAMP WITH PIN 2000 ZINKCOATED	1
40	59002044000	CLAMP MIRROR WITH PIN	x
41	0015060203	HH COLLAR SCREW M 6X20 WS=8	1
42	58012040000	REAR MIRROR L/S	x
42	58012140000	REAR MIRROR R/S	x
44	0965040123	FLAT HEAD SCREW DIN0965-M 4X12	2
63	50332063200	CLUTCH PIPE L=970MM 04	1

05503020

C05503020

* NEW PART

X ON DEMAND



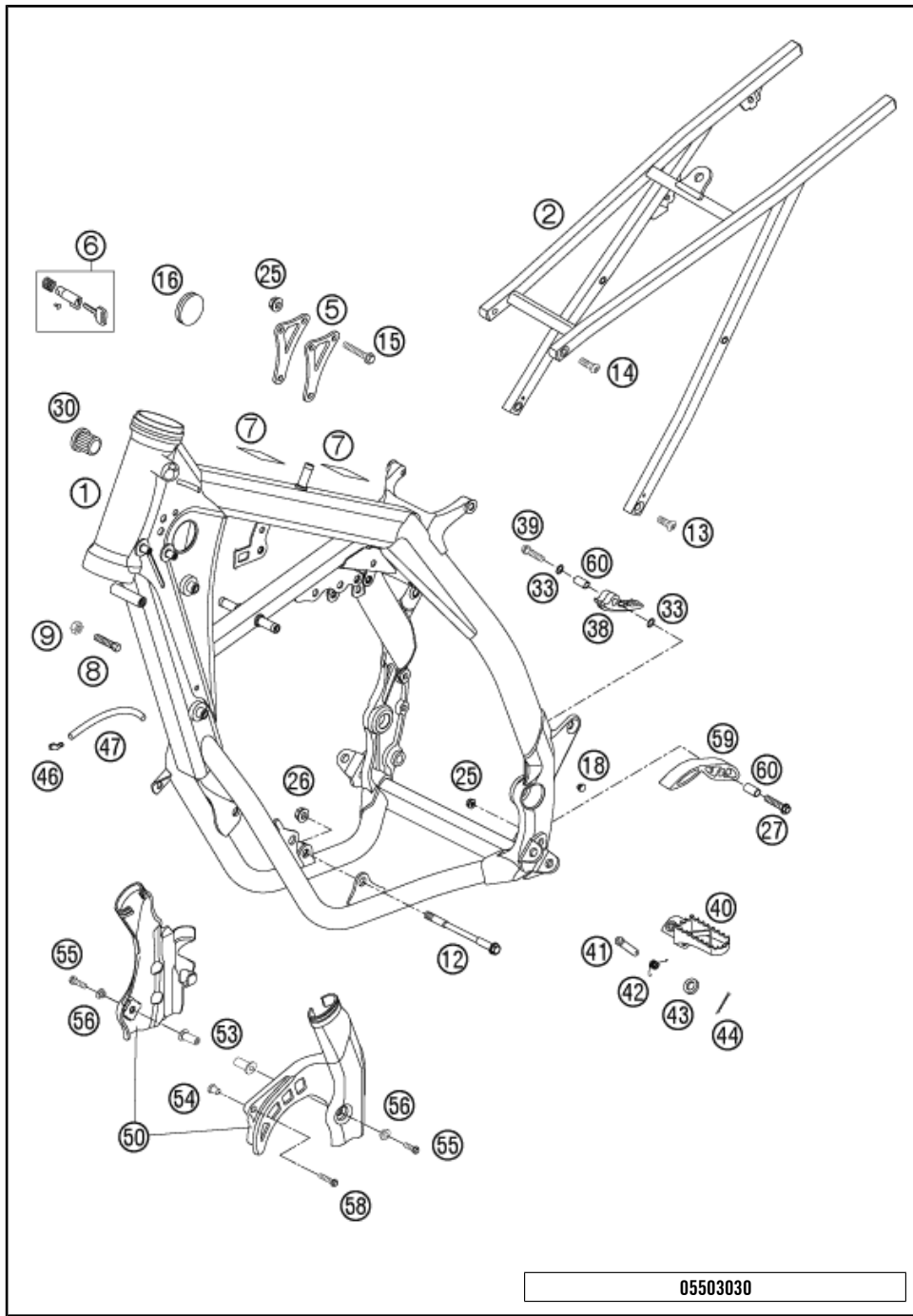
05503030

POS	PARTNUMBER	PARTNAME	PIECE
1*	5030300180096	FRAME 125 SX 05 125 SX	1
1*	5030300190096	FRAME 125/200 EXC-USA 05 200 EXC USA	1
1*	5030310100096	FRAME 125/200 EXC-EU 05 125/200 EXC EU+AUS	1
2*	50303002344	SUB FRAME CPL. 125 SX "D4" 05 125 SX	1
2*	54803002344	SUB FRAME CPL. 2-T. EXC 05 125/200 EXC	1
5	50303013000	REINFORCING BRACKET 125 '98	2
5	52303013000	REINFORCING BRACKET 200 '98	2
6	71003007000	STEERING HEAD LOCK CPL. ZADI	1
7	50307012000	ADH. FOIL TRANSP. 80X80 MM 04	2
8	59001037000	SPECIAL SCREW M8X26 WS=10	2
9	0934080003	HEXAGON NUT DIN0934-M 8	2
12	54603013000	ENGINE BRAC.SCR. M10X105 WS=13	2
13	54610052000	% SPROCKET SCREW-AH M8X20 WS=6	2
14	54510052100	% SPROCKET SCREW-AH M8X26 WS=6	2
15	56530079000	% HH COLLAR SCREW M 8X44 WS13	3
16	54606004000	PLUG 37MM	2
18	54403135000	PLASTIC CAP SFL10	1
25	54310086200	SELF LOCKING NUT M8 10.9	4
26	54310086100	SELF LOCKING NUT M10 CU WS=14	2
27	0015080353	HH COLLAR SCREW M 8X35 WS=10	1
30	42007049000	% PLASTIC CAP	x
33	36003014000	LOCK WASHER 8MM	2
38	54804067000	CHAIN SLIDING PIECE 03	1
39	0015080303	% HH COLLAR SCREW M 8X30 WS=10	1
40	59003040250	% FOOT PEG L/S SILVER 02	1
40	59003041250	FOOT PEG R/S SILVER 02	1
41	54803044000	PIN FOR FOOT PED 51.5X9.8 MM	2
42	54603041000	FOOTREST SPRING L/S & R/S	2
43	0125100003	WASHER DIN0125-A10,5	2
44	0094032253	PIN DIN0094-3,2X25 STEEL	2
46	50303089000	ANGLE PIECE '97	1
47	55007016001	PVC-HOSE 7X10 PER METER	0
50*	54803094100	FRAME PROTECTION SET 05	1
53	54803092050	BLIND PLUG-IN NUT M5 WN 22A 03	2

C05503030

* NEW PART

X ON DEMAND



POS	PARTNUMBER	PARTNAME	PIECE
54	59030060050	BUSHING F. SPROCKET COVER RAC.	1
55	0014050253	HH COLLAR SCREW M 5X25 WS=6	2
56	54803092060	BUSH F. FRAME PROTECTION 03	2
58	0015060403	% HH COLLAR SCREW M 6X40 WS=8	1
59	51103053000	CHAIN SLIDING PIECE BELOW '97	1
60	51103053051	BUSHING 8,2X10X20	2

05503030

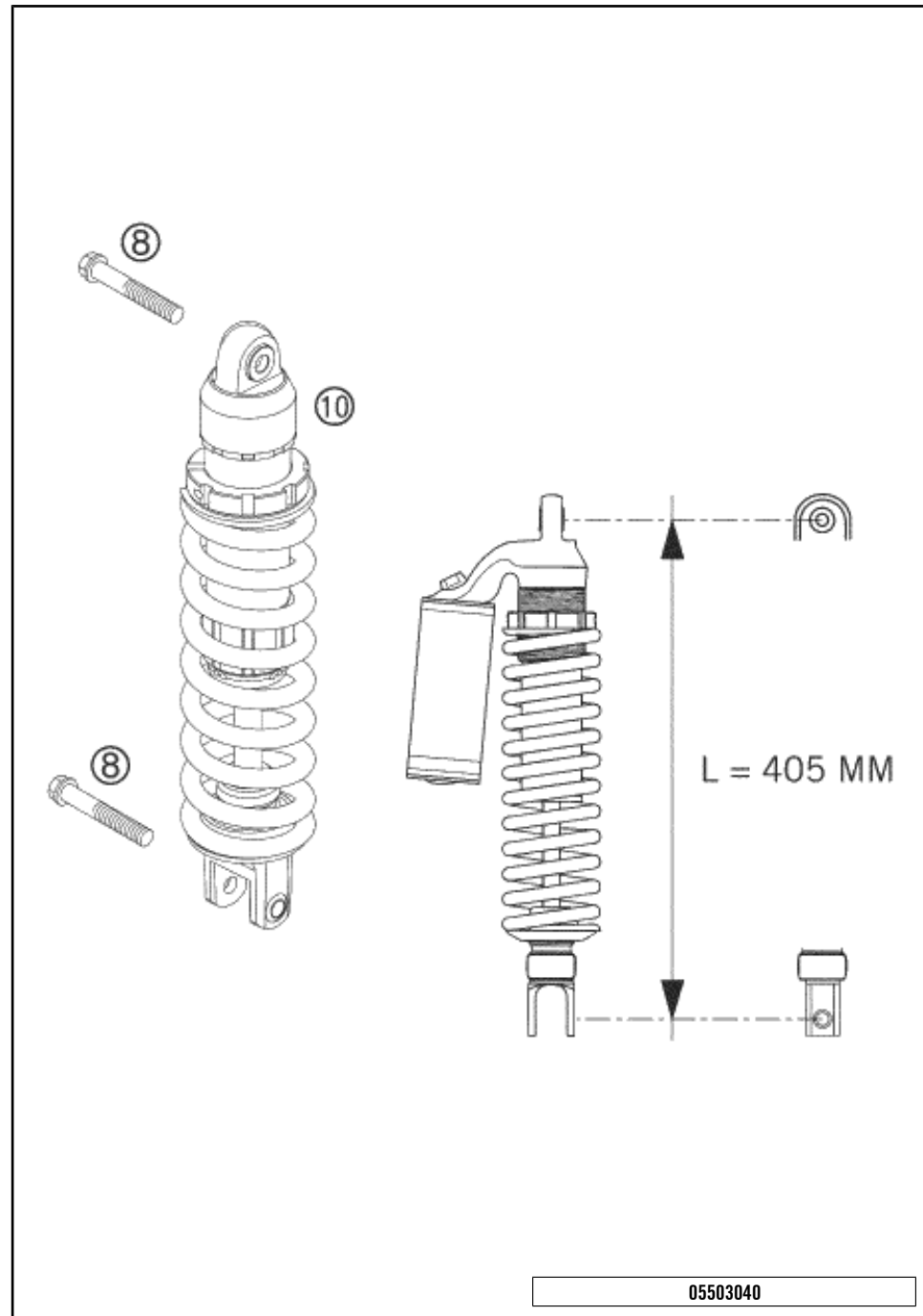
C05503030

* NEW PART

X ON DEMAND

SHOCK ABSORBER

125 SX 2005



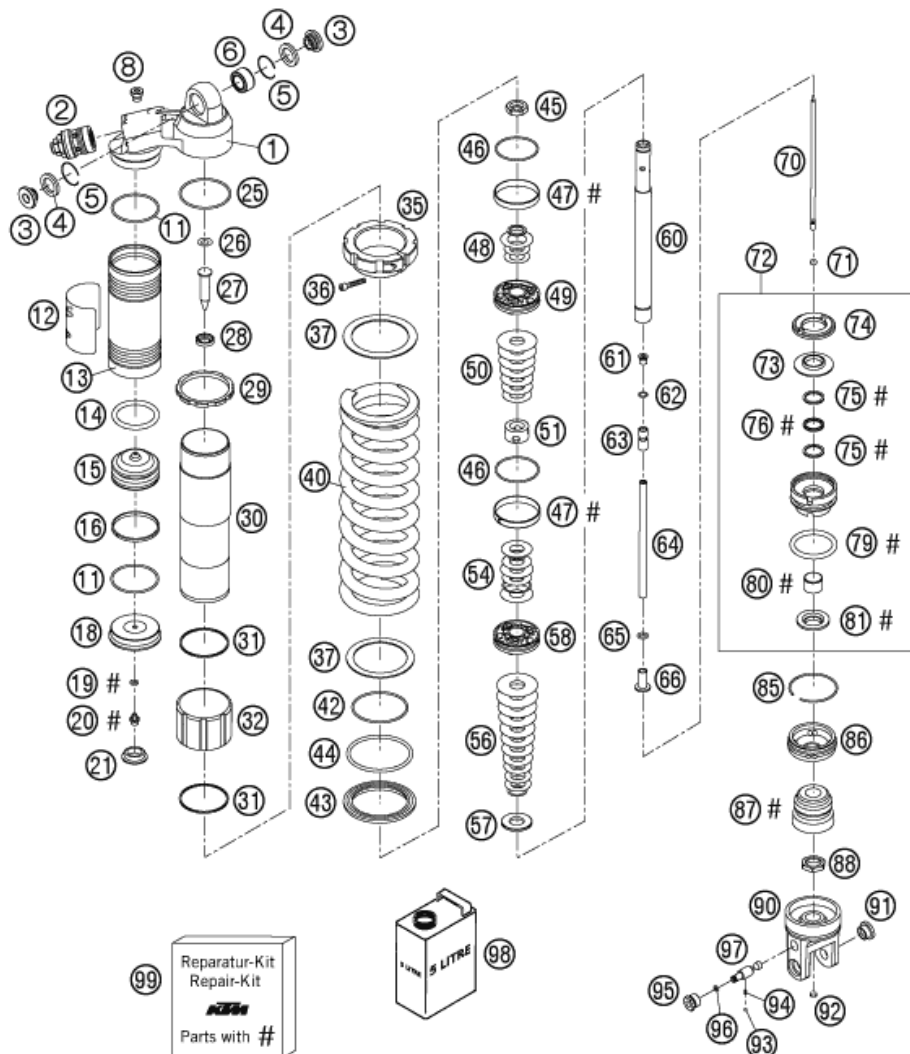
POS	PARTNUMBER	PARTNAME	PIECE
8	0015120556	% HH COLLAR SCREW M12X55 WS=13	2
10*	12187A01	% MONOSHOCK 5018 PDS SX 05	1
10*	12187A02	% MONOSHOCK 5018 PDS EXC 05	1

05503040

C05503040

* NEW PART

X ON DEMAND



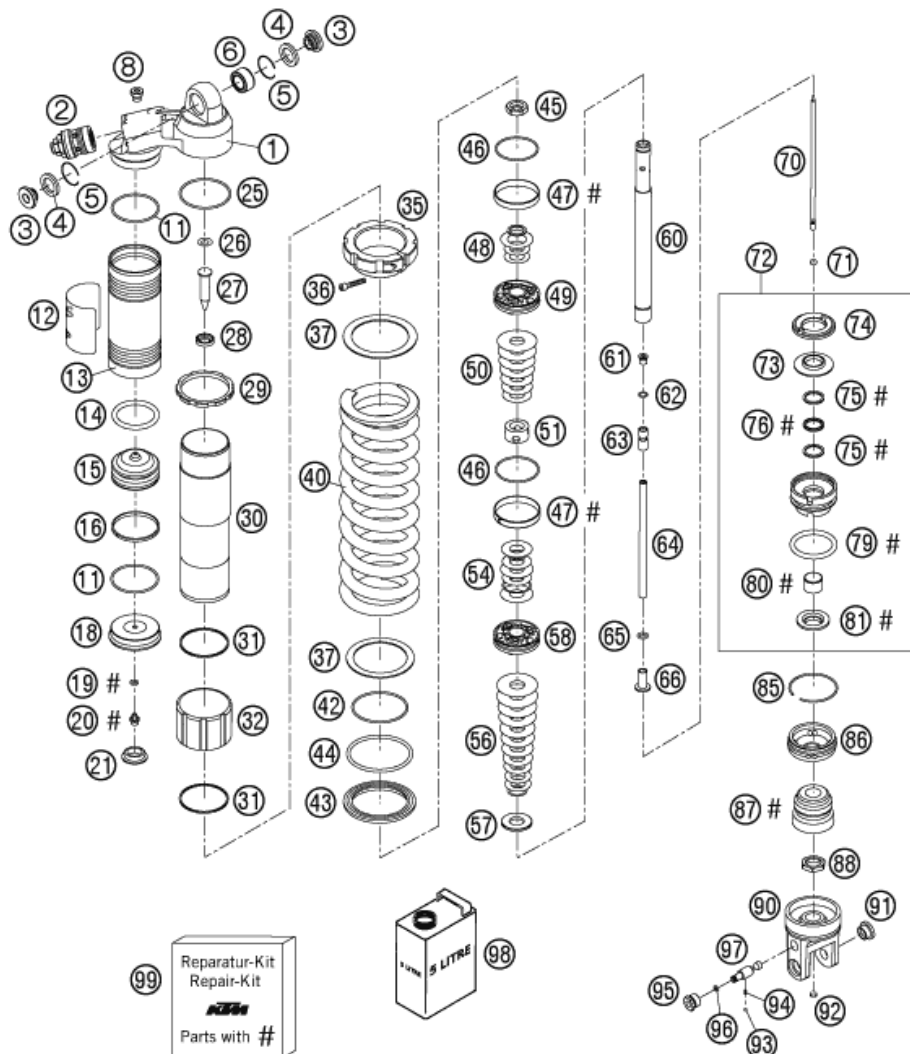
POS	PARTNUMBER	PARTNAME	PIECE
1*	50180429	MONOSHOCK TOP H=30,5 M54X1	1
2	50180213S6	DCC-COMPR.DAMP.CONTROL CPL. 04 SX	1
2	50180301S3	MCC-COMPR.DAMP.CONTROL CPL. 04 EXC	1
3	46180007	ADAPTOR BUSH KGW 12X24	2
4	46180003	OIL SEAL KGW D=25	2
5	50180168	WASHER KGW D=25	2
6	50180005	BUSHING KGW 1525 HD	1
8	50180095	BLEED PLUG R 1/8	1
11	46810016	O-RING NBR 48X2	2
12	52000041	% WP CAUTION (PDS KTM) 58X83	1
13*	50180438	RESERV. SCREW L=120 D=52 GOLD	1
14	46180014	O-RING VITON 41X5	1
15	46180002	SEPARATION PISTON D=52, H=32	1
16	46180015	PISTON RING 3,9X1,5X156	1
18	50180344	RESERVOIR CAP D=58	1
19	46810893	O-RING NBR 5,28X1,78	1
20	36120151	SCREW PLUG M5X6	1
21	46811208	RUBBER CAP "DO NOT OPEN"	1
25	50180097	O-RING 52X2	1
26	50180177	WASHER 16X8,2X0,6	1
27*	50180444	NEEDLE D=11,4 D=7,6 L=57 SX	1
27*	50180448	NEEDLE D=11,4 D=7,8 L=57 EXC	1
28*	50180437	% SCREW CAP M20X1 D=11,5 H=5	1
29	50180270	LOCK WASHER	1
30*	50180430	TUBE PDS L=198	1
31	50180133	CIRCLIP 50X1,5	2
32	50180081	SPRING GUIDANCE L=40	1
35*	50180433	SPRING RETAINER M56X1	1
36	0912050303	AH SCREW DIN0912-M 5X30	1
37	50180114	SPACER RING FOR SPRING	2
40	91210001	SPRING 250 69N/MM D=12,0 (62)	x
40*	91210002	SPRING 250 72N/MM D=12,5 (59) 125/200	1
40*	91210003	SPRING 250 76N/MM D=12,5 (59) 250/300	1

05503041

C05503041

* NEW PART

X ON DEMAND



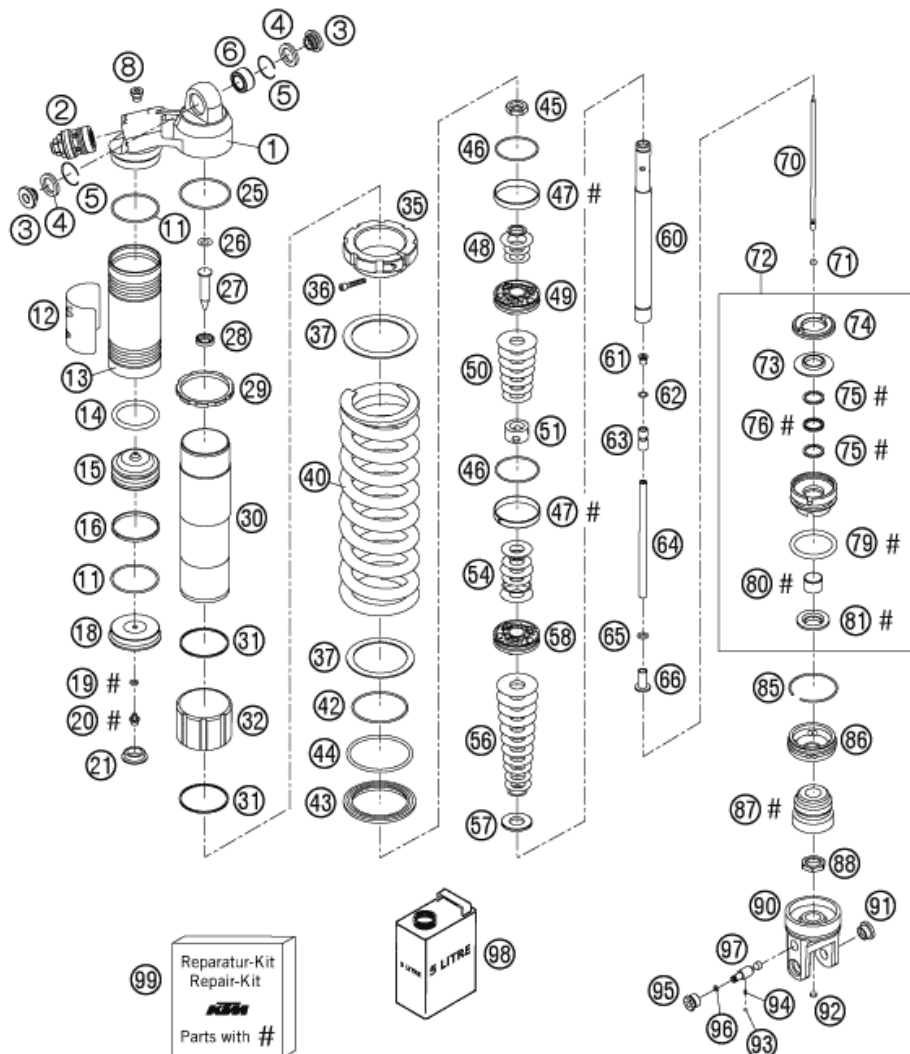
POS	PARTNUMBER	PARTNAME	PIECE
40	91210004	SPRING 250 80N/MM D=12,5 (62)	x
40	91210005	SPRING 250 84N/MM D=13,0 (62)	x
40	91210014	SPRING PDS5-260 66-86N/MM	x
40	91210015	SPRING PDS6-260 71,5-90,5N/MM	x
40	91210016	SPRING PDS7-260 76-95N/MM	x
42	50180273	CIRCLIP 58,2X2	1
43	50180355	% SPRING RETAINER D=80 2003	1
44	50180352	O-RING VITON 66,27X3,53	1
45	50180141	PISTON ROD NUT M16X1	1
46	50180099	O-RING VITON 44,17X1,78	2
47	50180135	PISTON RING 50-8	2
48*	50180034	BACKPLATE 16X20X0,30 125/200	1
48*	50180035	BACKPLATE 16X21X0,30 250/300	1
48*	50180055	SHIM 16X30X0,20	1
48*	50180056	SHIM 16X32X0,20	1
48*	50180057	SHIM 16X34X0,20	1
48*	50180058	SHIM 16X36X0,20	1
48*	50180210	WASHER 16X21X1	1
49*	50180446	PISTON 6+6X3,5/4,5	1
50	50180035	BACKPLATE 16X21X0,30	x
50*	50180036	BACKPLATE 16X22X0,30	x
50*	50180037	SHIM 16X23X0,30	x
50*	50180069	SHIM 16X40X0,25	x
50*	50180073	SHIM 16X30X0,30	x
50*	50180074	SHIM 16X32X0,30	x
50*	50180075	SHIM 16X34X0,30	x
50*	50180076	SHIM 16X36X0,30	x
50*	50180077	SHIM 16X38X0,30	x
50*	50180078	SHIM 16X40X0,30	x
51*	50180436	SANDWICH BUSH D26XD16X14.5/11	1
54	50180034	BACKPLATE 16X20X0,30	x
54	50180045	SHIM 16X28X0,15	x
54*	50180055	SHIM 16X30X0,20	x
54	50180054	SHIM 16X28X0,20	x
54	50180056	SHIM 16X32X0,20	x
54	50180057	SHIM 16X34X0,20	x
54	50180067	SHIM 16X36X0,25	x

05503041

C05503041

* NEW PART

X ON DEMAND



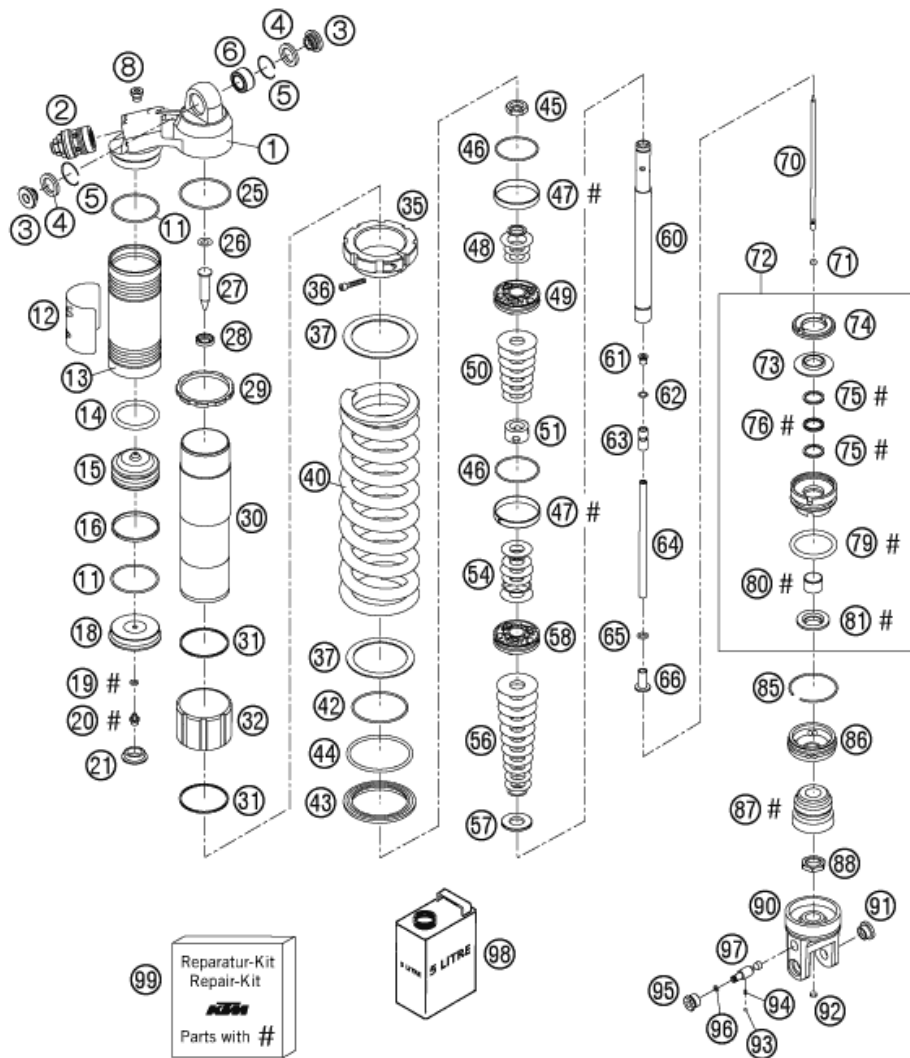
POS	PARTNUMBER	PARTNAME	PIECE
56	50180034	BACKPLATE 16X20X0,30	X
56	50180048	SHIM 16X34X0,15	X
56	50180057	SHIM 16X34X0,20	X
56	50180058	SHIM 16X36X0,20	X
56	50180059	SHIM 16X38X0,20	X
56	50180060	SHIM 16X40X0,20	X
56	50180061	SHIM 16X42X0,20	X
56	50180062	SHIM 16X44X0,20	X
56	50180063	SHIM 16X28X0,25	X
56	50180064	SHIM 16X30X0,25	X
56	50180065	SHIM 16X32X0,25	X
56*	50180066	SHIM 16X34X0,25	X
56*	50180067	SHIM 16X36X0,25	X
56*	50180071	SHIM 16X44X0,25	X
57*	50180196	REBOUND DISC D=34, H=8	1
58*	50180197	PISTON 6+6X7/4,5	1
60*	50180431	PISTON ROD D=18 L=151 M16X1	1
61	50180200	BUSH M8X1	1
62	50180157	O-RING VITON 7X1,5	1
63*	50180439	NEEDLE SEAT M8X1 D=5,5 05	1
64	50180264	TUBE M18X1 L=151,5	1
65	48600049	O-RING NBR 8X2	1
66	50180279	TUBE ADAPTOR M8X1 L=23	1
70	50180261	NEEDLE L=175	1
71	46811265	O-RING VITON 2,2X1,6	1
72*	50180435S	% ADAPTOR CPL. D=50 H=29	1
73*	50180113	STEEL DISC 18X,5X43,7X6	1
74*	50180107	REBOUND RUBBER	1
75	50180102	BACKUPRING 22,55X1,5	2
76	50180101	QUAD RING 18X2,62	1
79	50180103	O-RING 41X5	1
80	46180119	DU-BUSH 18X20X12	1
81	50180082	DUST SEAL 1835	1
85	50180126	CIRCLIP 53X1,75	1
86	50180165	COVER D=50	1
87	50180276	BUMP RUBBER WP60 D=18-26	1
88	50180283	CONTRA NUT M18X1 H=5	1
90	50180356	FORK PART L=55,5 B=32,5 D=12	1

05503041

C05503041

* NEW PART

X ON DEMAND



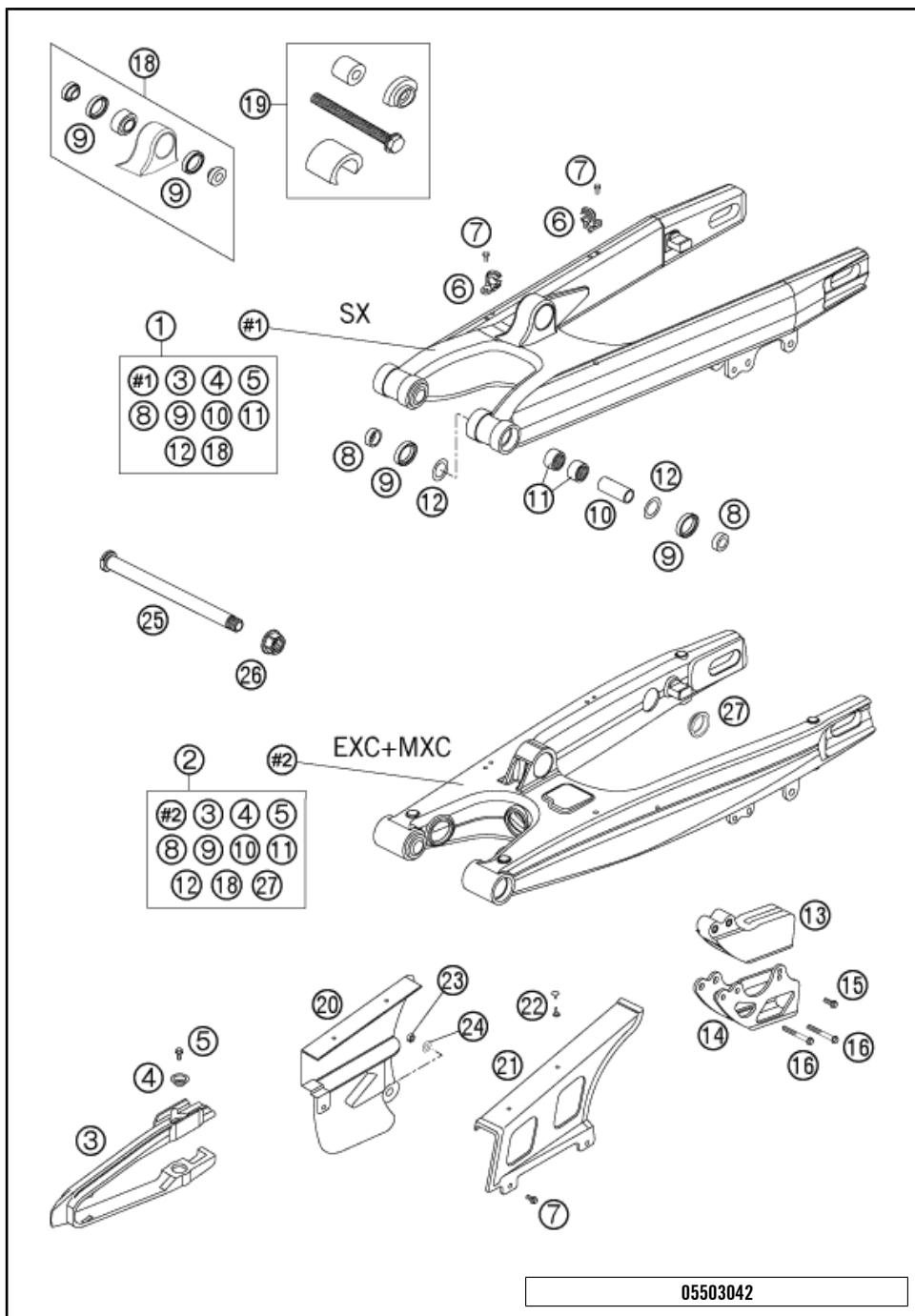
POS	PARTNUMBER	PARTNAME	PIECE
91	50180105	THREADED BUSH M12 PDS	1
92	50180297	RUBBER PLUG D=8	1
93*	40540603	STEEL BALL D=3MM	2
94*	48600028	SPRING D=2,9 L=7,9	1
95	50180281	RESERVOIR CAP M14X1	1
96	50180222	O-RING NBR 4X1,5	1
97*	50180434	% ADJUSTING SCREW 80 DEG. L=39	1
98	50180342S1	%SHOCK ABSORBER FLUID 5 LT '03 0,33 LITRE	1
99	R12008	REPAIR-KIT GASKET 5018 PDS 03	1

05503041

C05503041

* NEW PART

X ON DEMAND



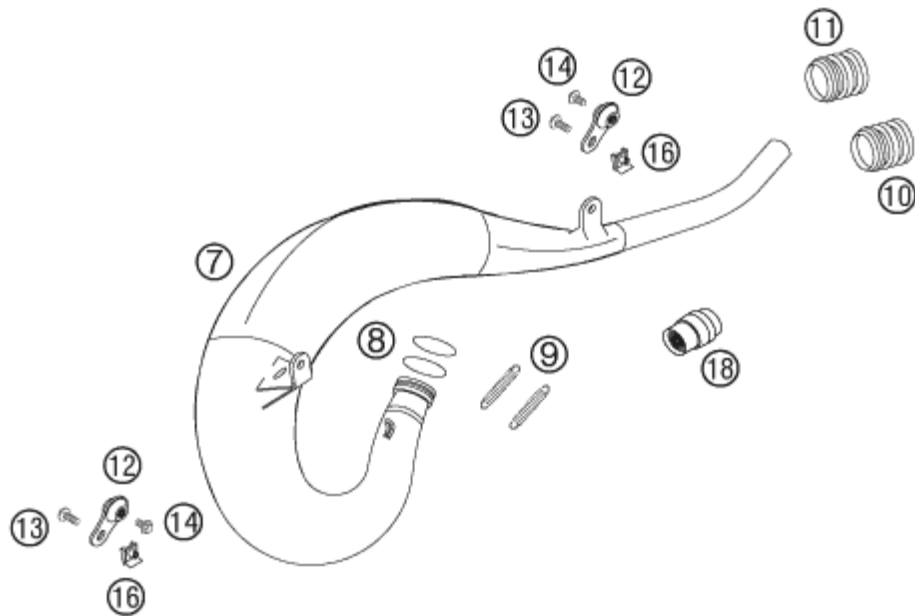
POS	PARTNUMBER	PARTNAME	PIECE
1	54804030044	SWINGARM CPL. 2-STROKE "L4" 03 SX	1
2*	54804230244	SWINGARM CPL. 2005 EXC+MXC	1
3*	50304066100	CHAIN GUARD 05	1
4	72210079000	BUCKET	2
5	0015060103	% HH COLLAR SCREW M 6X10 WS=8	2
6	54611076100	RETAIN.CLAMP FOR BRAKE HOSE'96	2
7	0009050103	% SPECIAL SCREW M 5,0X10	x
8	54804034000	BUCKET F. SHAFT SEAL RING 03	4
9	0760253270	SHAFT SEAL RING 25X32X7	6
10	54804032000	BUSHING SLEEVE F. SWING ARM 03	2
11	58033097000	NEEDLE BEARING HK 2216	4
12	54603036000	STOP DISK 22,2X31,7X1	2
13	54607066100	CHAIN GUIDE REAR '94	1
14	54607070144	RETAINING PLATE CPL.	1
15	0015060163	HH COLLAR SCREW M 6X16 WS=8	1
16	0015060503	HH COLLAR SCREW M 6X50 WS=8	2
18	50304090044	% PIVOT BEARING+BUSH. PDS '99	1
19	50329000044	TOOL BEARING MOUNTING PDS	1
20	50304060100	CHAIN GUARD SMALL EXC 2000	1
21	54607460000	CHAIN GUARD LARGE EGS	1
22	20012062055	HOLLOW RIVET TWO PARTS	2
23	0985060003	SELF LOCK. NUT DIN0985-M 6	1
24	0021060003	WASHER DIN9021-A 6,4	1
25	54804037000	% SWINGARM BOLT M16X1,5 03	1
26	54804038000	SELF LOCK.NUT M16X1,5 WS=19 03	1
27*	58404041100	CLOSING COVER ROUND 03 EXC+MXC SWINGARM	5

05503042

C05503042

* NEW PART

X ON DEMAND



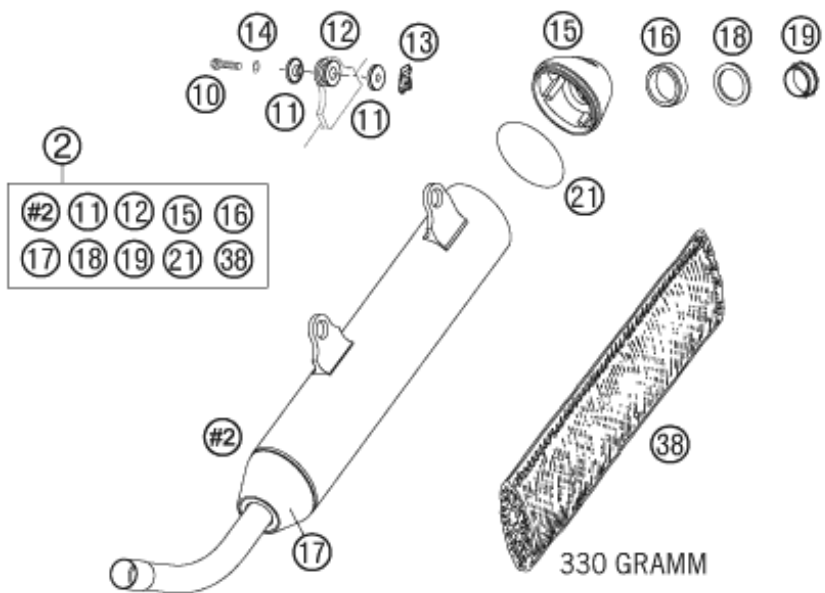
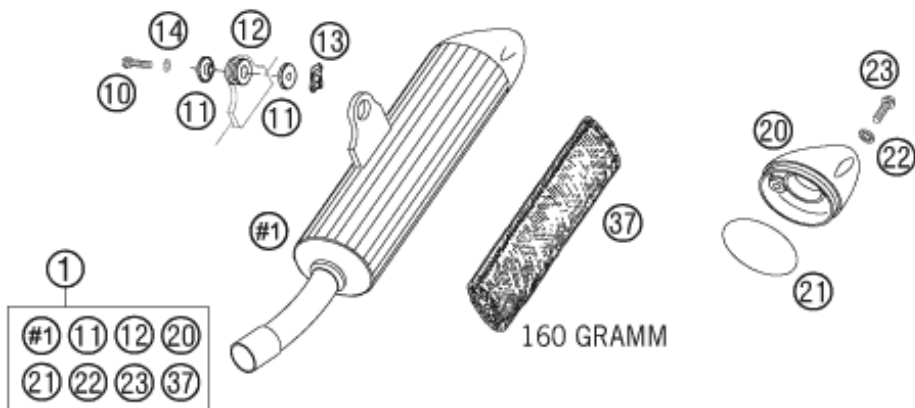
POS	PARTNUMBER	PARTNAME	PIECE
7*	50305007200	EXHAUST PIPE CPL. 125 SX2004 125 SX	1
7*	50305009300	EXHAUST PIPE NICKEL"K 503" 05 125 EXC EU	1
7	52305008200	EXHAUST PIPE NICKEL"3"200 2000 200 EXC USA	1
7	52305009100	EXHAUST PIPE NI. "KTM523" 2000 200 EXC EU+AUS "4"	1
8	0770440030	O-RING 44,00X3,00 VITON	2
9	50305016000	TEN.SPRING L=62MM EY.MOVEABLE	2
10	54605057000	RUBBER SLEEVE D=21MM/23MM '93 125	1
11	54605157000	SILICON SLEEVE D=25/27MM 200	1
12	50305012000	SWINGELEMENT FOR EXHAUST PIPE	2
13	0014060153	% HH COLLAR SCREW M 6X15 WS=8	2
14	0014060103	% HH COLLAR SCREW M 6X10 WS=8	2
16	54603048100	RANGE CHANGE METAL NUT M6	2
18	52305001100	THROTTLE EXH. KAT 200 EXC 2000 200 EXC EU+AUS	1

05503050

C05503050

* NEW PART

X ON DEMAND



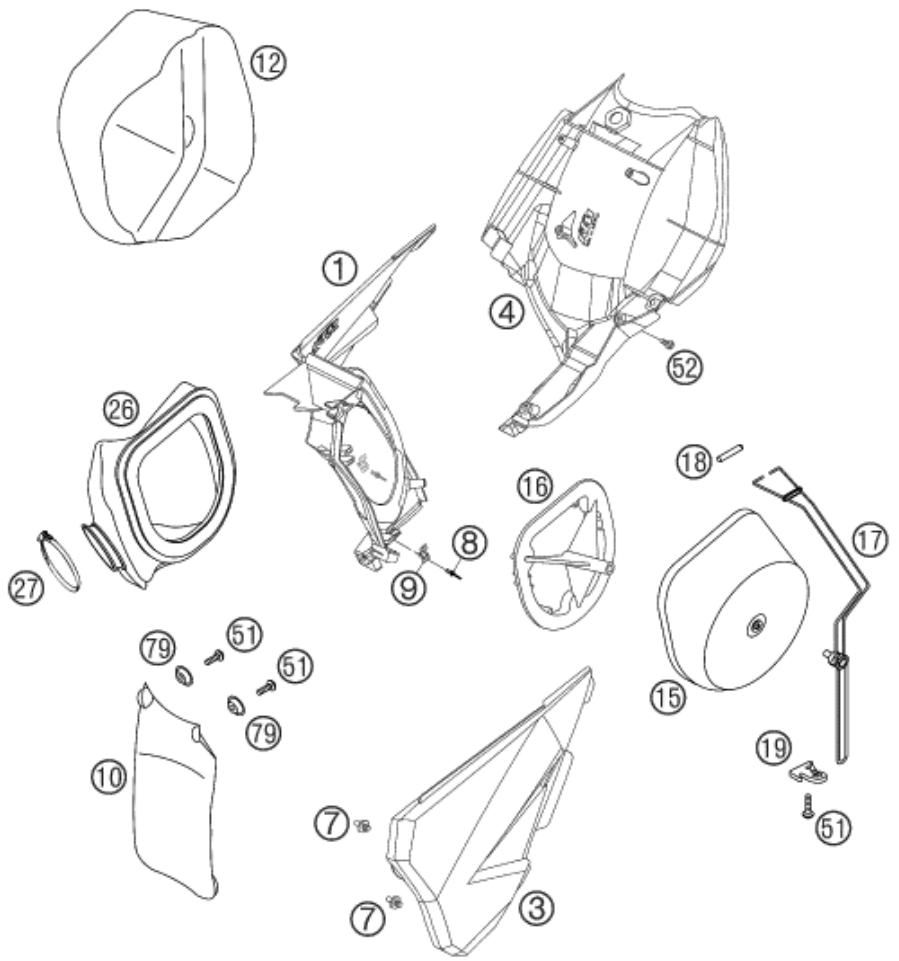
POS	PARTNUMBER	PARTNAME	PIECE
1	50305079200	EXHAUST SILENCER ALU 125 SX 04 125 SX	1
2*	50305083100	EXH. SILEN. 125 EXC SIXDAYS 04 125 EXC	1
10	0015060303	HH COLLAR SCREW M 6X30 SW=8	x
11	54605069000	% BUSHING 7,5X12X28X7,8 '96	x
12	54605068000	% EXHAUST BRACKET RUBBER BLACK	x
13	54603048100	RANGE CHANGE METAL NUT M6	x
14	0137060003	SPRING WASHER DIN0137-B 6	x
15*	54805079052	SILENCER ENDCAP 2-STROKE 2004	1
16*	54805079150	SILENCER RUBBER 2-STROKE 2005	1
17*	54805079060	SILENCER CONNECTING-CAP 2004	1
18*	54805083060	SILENCER DISC 2004	1
19*	54805079058	SILENCER SCREW 2-STROKE 2004	1
20	50305079169	SILENCER ENDCAP SX REAR	1
21	0770055020	O-RING 55,00X2,00 NBR70	2
22	50233041000	PAIR OF WASHERS M 6 NORDLOCK	2
23	0015060203	HH COLLAR SCREW M 6X20 WS=8	2
37	50305079160	STUFFING YARN 160 GRAM 125 SX	1
38*	54805078330	STUFFING YARN-SET 330 GRAM 04 125 EXC	1

05503051

C05503051

* NEW PART

X ON DEMAND

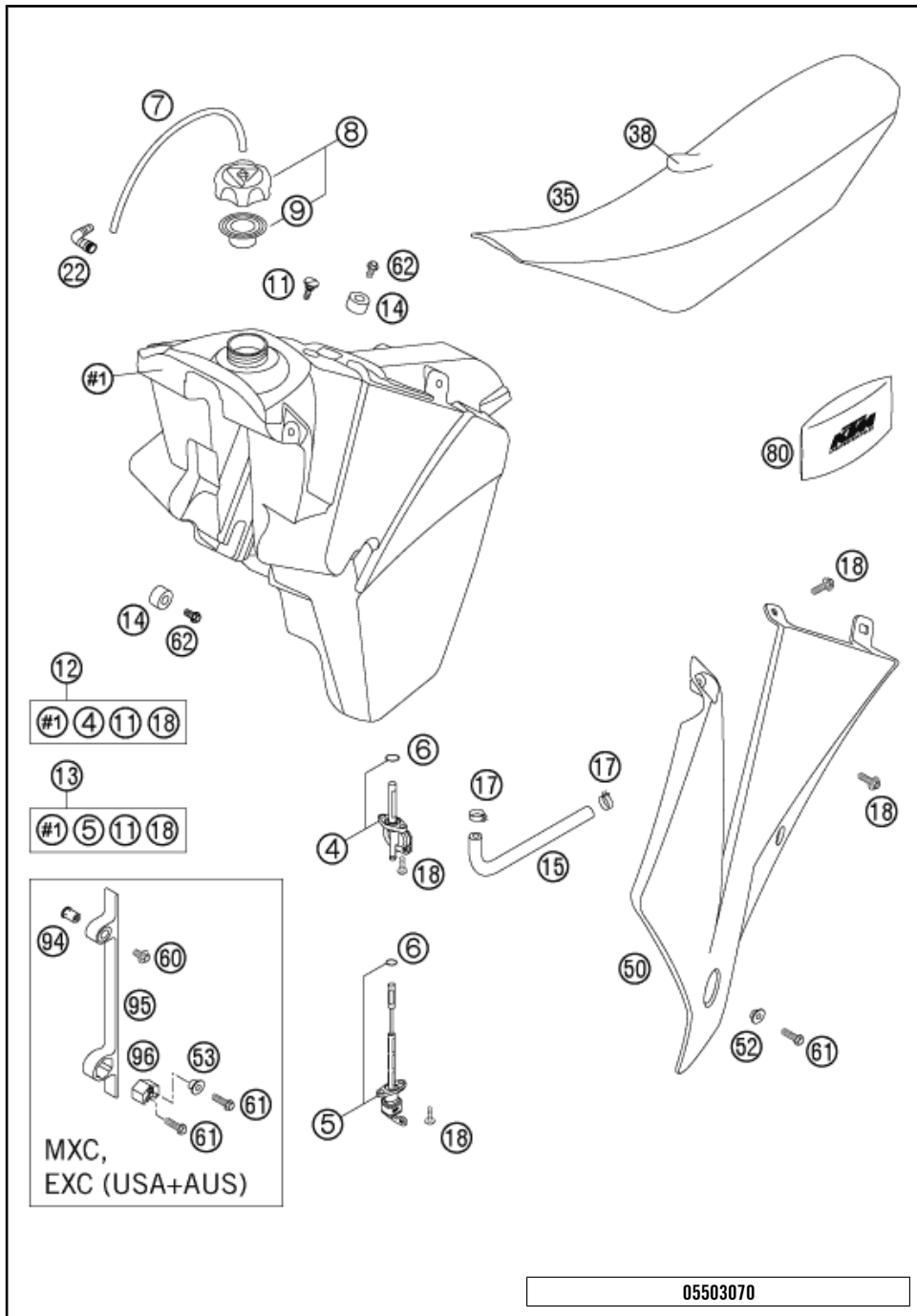


POS	PARTNUMBER	PARTNAME	PIECE
1	54806001051	FILTER WALL 03	1
3	54806003000	FILTER BOX COVER 03	1
4	54806001052	REAR PART FILTER BOX 03	1
7	54806008051	QUICK RELEASE-NIPPLE 03	2
8	54806008052	% RIVET 3,2MM ALU 03	4
9	54806008050	QUICK RELEASE-SPRING HANGER	2
10	50306010000	FENDER FOR FILTER BOX '98	1
12	50306012000	*THROTTLE CAP 125-380EGS CPL98	x
15	59006015000	AIR FILTER RACING 2001	1
16	54806016000	FILTER CARRIER 2-STROKE 04	1
17	50306017000	FILTER SUPPORT CPL.2-STROKE'98	1
18	50306018000	FILTER SUPPORT BUSH 125-380'98	1
19	50306019000	FASTEN. DEVICE FILTER SUPPORT	1
26	54706026000	CARBU.CONNECT.BOOT 125-380 '98	1
27	51006027000	HOSE CLAMP 50-70MM	1
51	0017060203	% EJOT PT SCREW K60X20 WS=6	3
52	0009050103	% SPECIAL SCREW M 5,0X10	1
79	72210079000	BUCKET	2

04503060

C05503060

* NEW PART X ON DEMAND

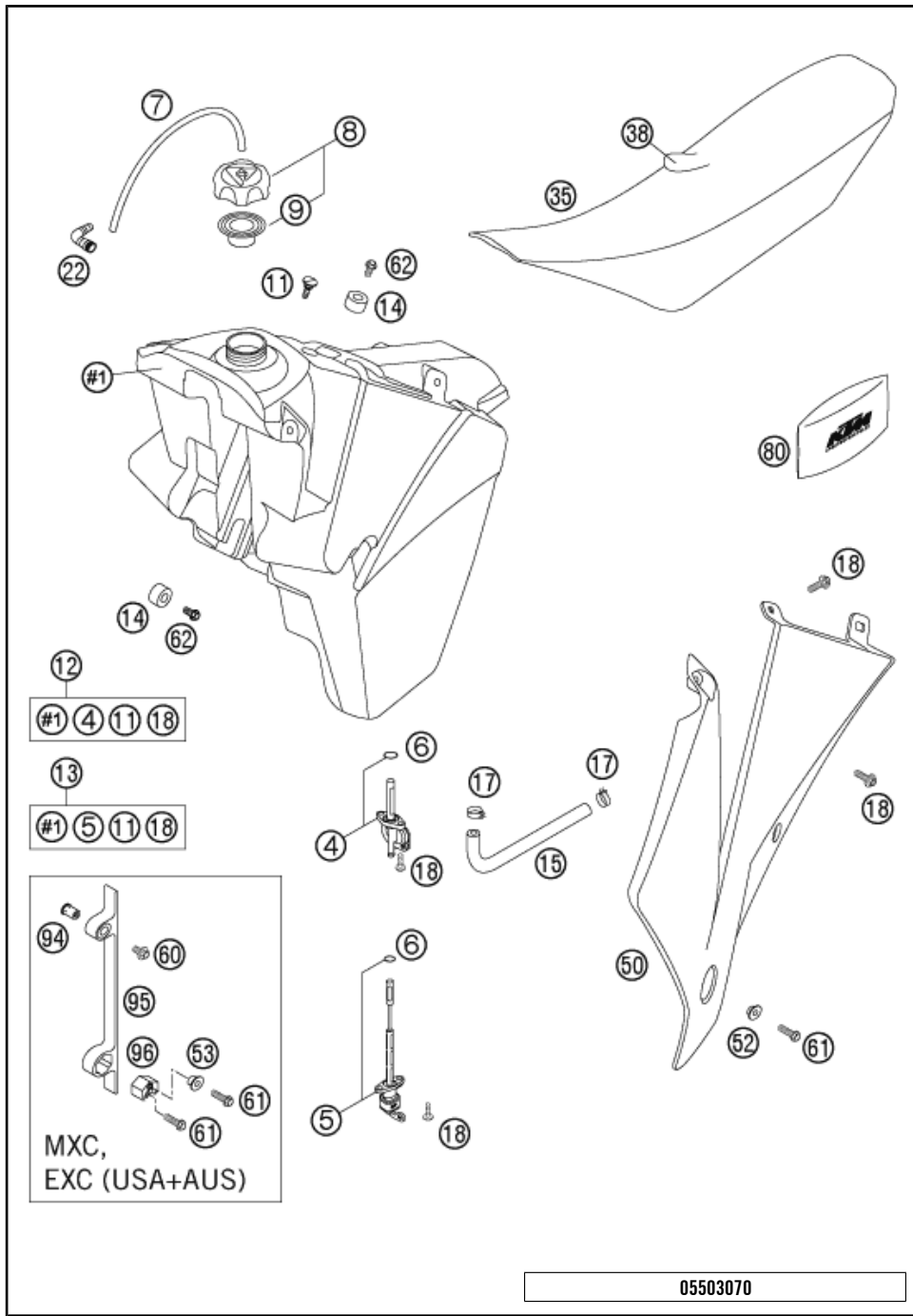


POS	PARTNUMBER	PARTNAME	PIECE
4	50307005000	GAS COCK MIKUNI ON/OFF 2001 SX	1
5	54807004000	GAS COCK ON/OFF/RES 03 EXC+MXC	1
6	0770130023	O-RING 13,00X2,30 FOR SX GAS COCK	1
6*	0770110021	O-RING 11X2 VITON FOR EXC+MXC GAS COCK	1
7	31007107001	% PVC-HOSE 6X9 MM PER METER	0
8	59007008044	FILLER CAP CPL. WITH VALVE	1
9	59007009000	GASKET FOR FILLER CAP HIGH	1
11	50307011000	SCREW SEAT FASTENING D=6X23/18	1
12	5030711300004	FUEL TANK CPL. 7,5L ORANGE 03 SX	1
13	5030711310044	FUEL TANK CPL. 11L 03 EXC USA+AUS	1
13	5030711320044	FUEL TANK CPL. 9L 03 EXC EU	1
14	50307014000	TANK ROLLER 12X26X12 '98	3
15	50307016000	FUEL PREFORMED HOSE SX 2001	1
17	58031005000	CLAMP YDNAC 10128 12MM	2
18	0017060203	% EJOT PT SCREW K60X20 WS=6 EXC+MXC	10
18	0017060204	%EJOT PT SCREW K60X20 ALU WS=6 SX	10
22	51030022000	ANGLE PIECE 90 DEGREE M10X1	1
35*	54807040400	SEAT BLACK WITHOUT KTM-LOGO 05	1
38*	54807040450	SEAT COV.BLACK WITHOUT LOGO 05	1
50*	5480805000004	% SPOILER L/S ORANGE 05	1
50*	5480805100004	%SPOILER R/S ORANGE 05	1
52	50308052000	BUSH FOR SPOILER 6X11X16X5 MM	2
53	50308053000	BUSH FOR SPOILER 6X11X16X7,5	2
60	0014060103	% HH COLLAR SCREW M 6X10 WS=8	2
61	0015060203	HH COLLAR SCREW M 6X20 WS=8	4
62	0015060123	HH COLLAR SCREW M 6X12 WS=8	3
80	50212100100	% ORIGINAL EQUIPMENT TOOL KIT	1
94	55003139600	BLIND RIVET NUT M 6X15,5 STEEL	2

05503070

C05503070

* NEW PART X ON DEMAND

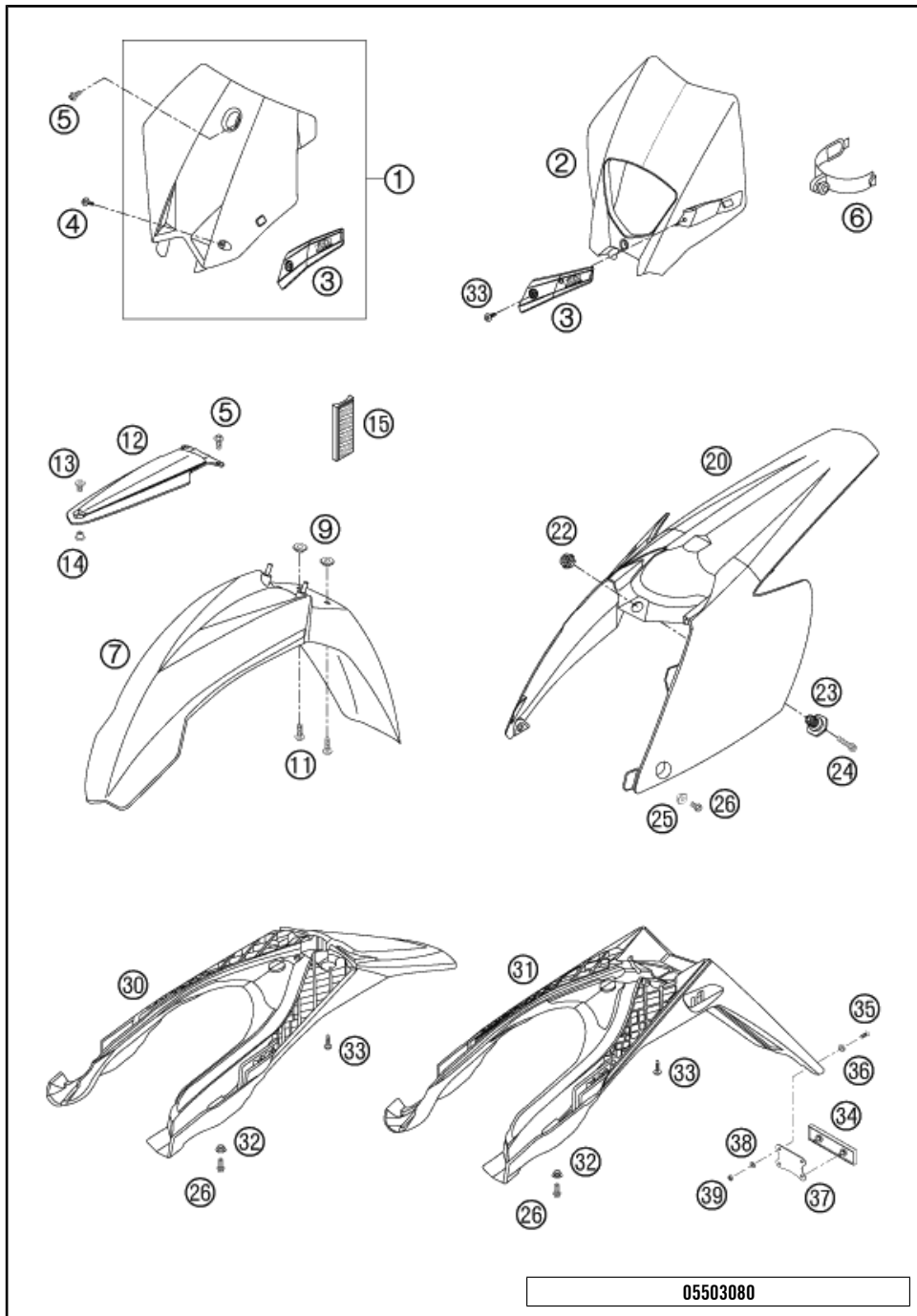


POS	PARTNUMBER	PARTNAME	PIECE
95	50335095000	SPOILER ADAPTER '98	2
96	50335096000	TANK ADAPTER BUSH '98	2

05503070

C05503070

* NEW PART X ON DEMAND



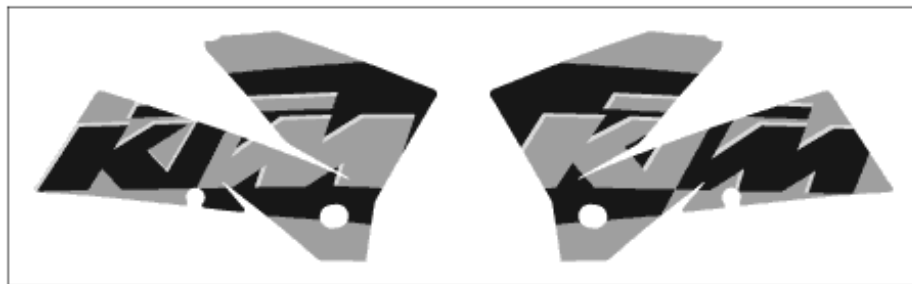
POS	PARTNUMBER	PARTNAME	PIECE
1	5480800701004	START NUMBER PLATE ORANGE 03 SX, MXC	1
2*	5480800100004	HEAD LIGHT MASK ORANGE 2005 EXC	1
3	54808019000	% BRAKE HOSE GUIDE BLACK 03	1
4	0017060204	%EJOT PT SCREW K60X20 ALU WS=6	1
5	0014060153	% HH COLLAR SCREW M 6X15 WS=8	3
6	50211086000	MASK RUBBER UFO WP '95	2
7	5030801030004	FENDER FRONT WIDE ORANGE 03	1
9	54808020000	SPACER BUSHING 03	4
11	0014060203	HH COLLAR SCREW M 6X20 WS=8	4
12	50308009100	FENDER BRACE BLACK '99	1
13	50308009050	SCREW FEND.BRACE M8X9 WS=17	1
14	50308009051	NUT FENDER BRACE M8 WS=17	1
15	58412080100	REFLECTOR YELLOW '99 EXC AUS	2
20	5480801300004	% REAR PART SX ORANGE 03 SX, MXC	1
20	5480801310004	REAR PART EXC ORANGE 04 EXC	1
22	50314057050	COLLAR NUT M12X1/WS17 H=5MM	1
23	54807048000	BUSHING FOR SEAT FASTENING 03	1
24	0015060253	% HH COLLAR SCREW M 6X25 WS=8	1
25	50308052000	BUSH FOR SPOILER 6X11X16X5 MM	2
26	0015060163	HH COLLAR SCREW M 6X16 WS=8	4
30	54808015000	NUMBER PLATE CARRIER SHORT 04	1
31	54808015100	NUMBER PLATE CARRIER LONG 04	1
32	50308052100	BUSH FOR FENDER 6X11X20X5 MM	2
33	0017060203	% EJOT PT SCREW K60X20 WS=6	3
34	58412080000	REFLECTOR RED	1
35	0966050163	OVAL HEAD SCREW DIN0966-M 5X16	2
36	40006006000	WASHER 6MM	2
37	58412080050	BRACKET FOR REFLECTOR	1
38	0125050003	WASHER DIN0125-A 5,3	2
39	0985050003	SELF LOCKING NUT DIN0985-M 5	2

05503080

C05503080

* NEW PART

X ON DEMAND



①

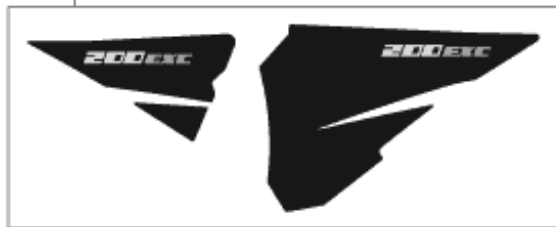
②



③



④



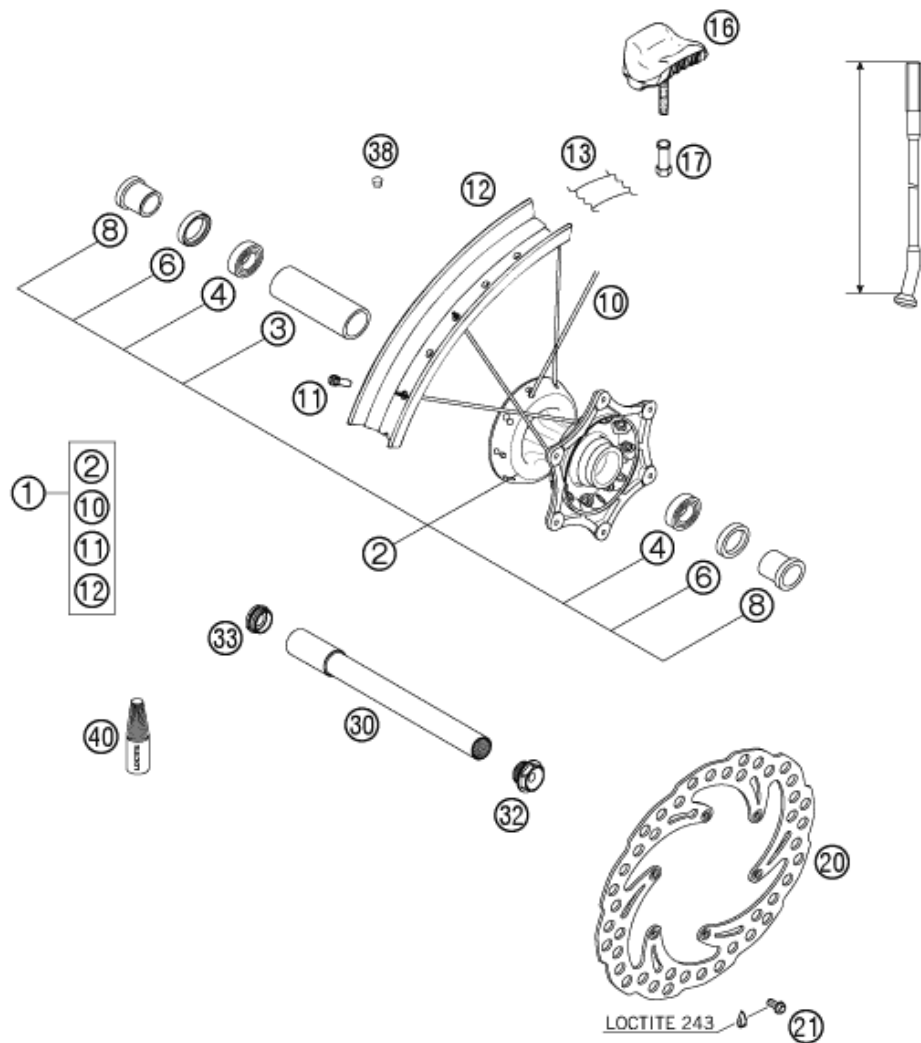
05503081

POS	PARTNUMBER	PARTNAME	PIECE
1*	50308290100	SPOILER DECAL 05	1
2*	50308191600	DISPLACEME. STICKER 125 SX 05	1
3*	50308191800	DISPLACEME. STICKER 125 EXC 05	1
4*	52308191700	DISPLACEME. STICKER 200 EXC 05	1

C05503081

* NEW PART

X ON DEMAND



POS	PARTNUMBER	PARTNAME	PIECE
1	54809001044	FRONT WHEEL 1,6X21" EXCEL 03 SX	1
1	54809001144	FRONT WHEEL 1,6X21" DID 03 EXC EU	1
1	54809001244	FRONT WHEEL 1,6X21" EXCEL 04 MXC, EXC USA+AUS	1
2	5480901004496	FRONT HUB CPL. GOLD 03	1
3	54809011000	BEA.SPACERTUBE 35X2 L=79,4 03	1
4	0625069068	GR.BALL BEAR.6906 DDU2CG23S6NM	2
6	0760354771	SHAFT SEAL RING 35X47X7 TC	2
8	54809012000	% SPACER BUSHING F. FR. WHEEL	2
10*	50309072228	% SPOKE M4,5X228-15G 21" DDE	36
11	50309072000	% SPOKE NIPPLE M4,5X0,75 8X21	36
12	54609070100	FRONT RIM 1,6X21" EXCEL AL4 SX	1
12	54609070200	% FRONT RIM 1,6X21" DID EXC EU	1
12	54809070000	% FRONT RIM 1,6X21" EXCEL AL7 MXC, EXC USA+AUS	1
13*	50309073000	RIM BAND 21"	1
16	51009100100	RIM LOCK VM1 (1,60")	1
17	50310090050	% NUT FOR WHEEL HOLDER '96	1
20	54809060100	% BRAKE DISC FRONT D=260MM 03	1
21	59009062013	SPECIAL SCREW M6X13 WS=8 10.9	6
30	54809081000	% WH SPIN.FR. D=26 M24X1,5 03	1
32	54809082000	SPINDLE SCREW M24X1,5 WS=27 03	1
33	54809081050	PLUG BUSHING WS=27 03	1
38	55003135000	PLUG FOR RIM	x
40	6899785	LOCTITE 243 BLUE 6CCM	1

05548090

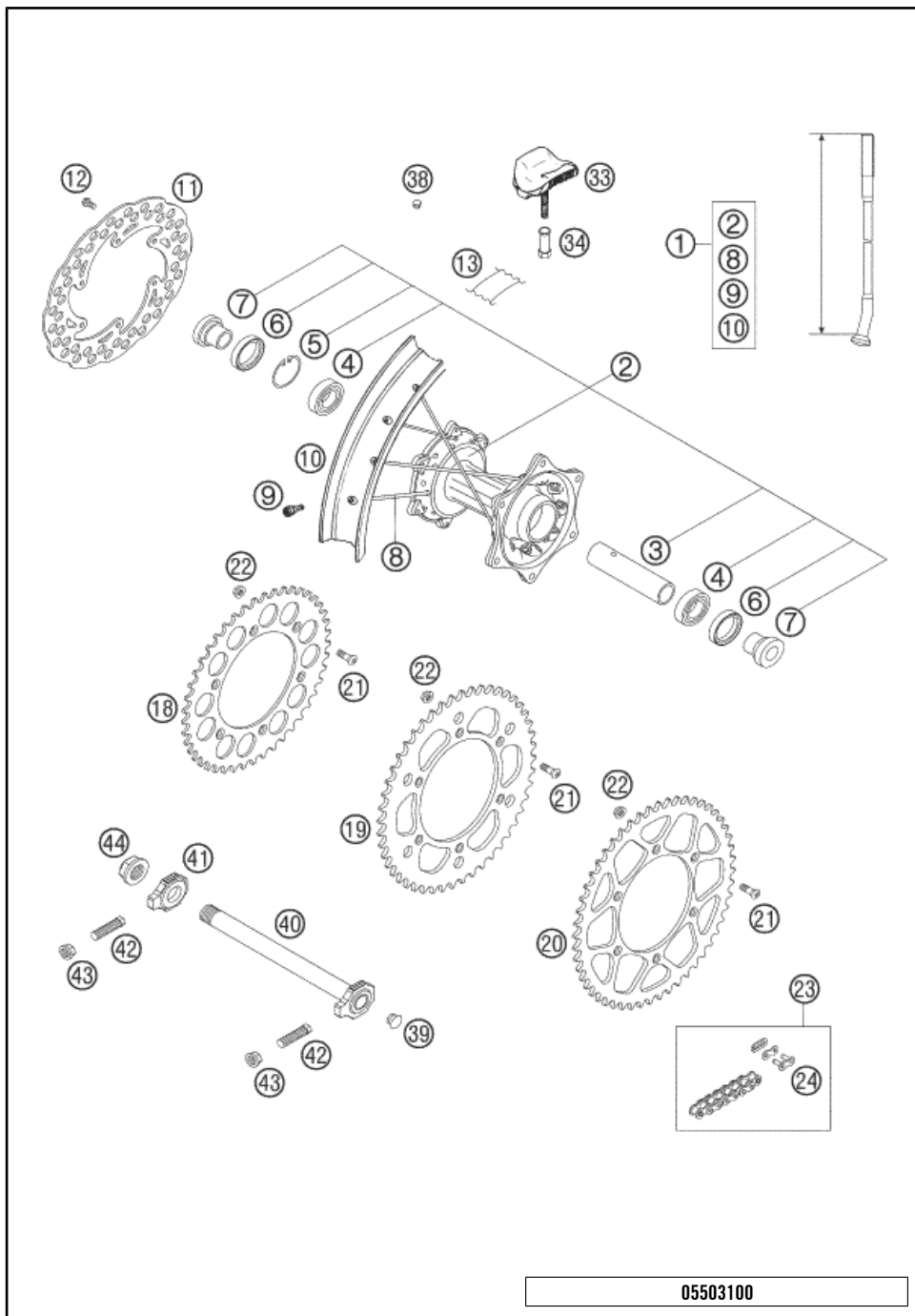
C05503090

* NEW PART

X ON DEMAND

REAR WHEEL

125 SX 2005



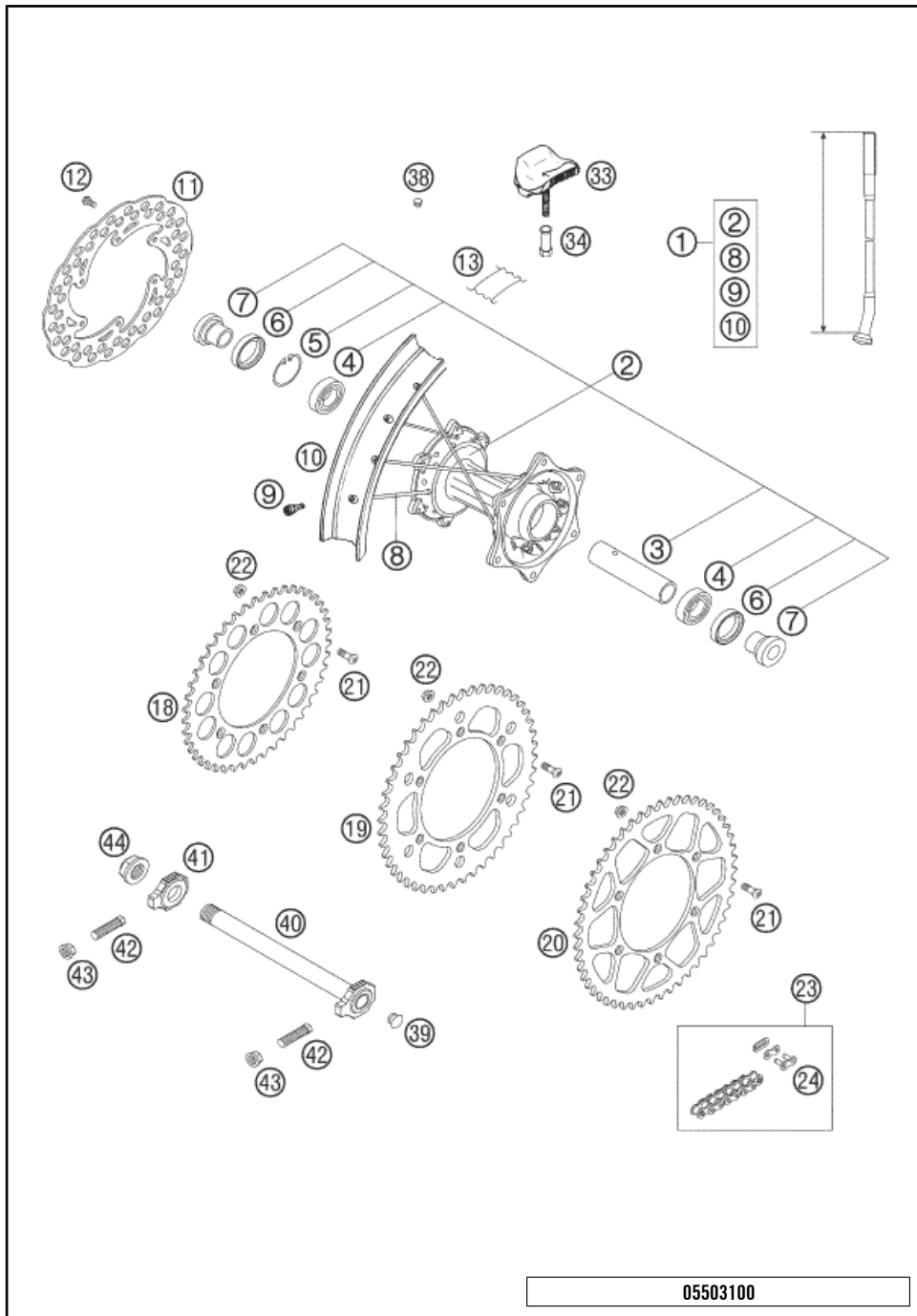
05503100

POS	PARTNUMBER	PARTNAME	PIECE
1	54810001144	% REAR WHEEL CPL. 2,15X19" 03 SX	1
1	54810001244	%REAR WHEEL CPL.2,15X18" DID03 EXC EU	1
1	54810001344	REAR WHEEL 2,15X18" EXCEL 04 MXC, EXC USA+AUS	1
2	5481001004496	REAR HUB CPL. GOLD 03	1
3	59010011000	% BUSH. SPACER TUBE 121,5MM 01	1
4	0625060058	GR.BALL BEAR.6005 DDU2CG23S6NM	2
5	0472047175	CIRCLIP DIN0472-47X1,75	1
6	0760324771	SHAFT SEAL RING 32X47X7 BSL	2
7	54610016000	% BUSHING FOR HUB	2
8	50310072207	% SPOKE M5X207-10G 19" DDE SX	36
8*	50310072197	% SPOKE M5X197-10G 18" DDE EXC EU	36
8	50310072195	% SPOKE M5X195-10G 18" DDE MXC, EXC USA+AUS	36
9	58309072000	% SPOKE NIPPLE M5-TA (8X21MM)	36
10	54610070100	REAR RIM 2,15X19" EXCEL AL4 SX	1
10	54610070300	REAR RIM 2,15X18" DID EXC EU	1
10	54810070000	REAR RIM 2,15X18" EXCEL AL7 MXC, EXC USA+AUS	1
11	54810060000	% BRAKE DISC REAR D=220MM 03	1
12	59009062013	SPECIAL SCREW M6X13 WS=8 10.9	6
13*	50310073200	RIM BAND 18" AND 19"	1
18	58310051038	REAR SPROCKET 38-T	x
18	58310151040	REAR SPROCKET 40-T	x
18	58310051042	REAR SPROCKET 42-T	x
18	58310151045	REAR SPROCKET 45-T	x
19	58310151048	REAR SPROCKET 48-T	x
19	58310151049	REAR SPROCKET 49-T	x
20	58310151050	REAR SPROCKET 50-T	x
20	58310151051	REAR SPROCKET 51-T	x
20	58310151052	REAR SPROCKET 52-T	x
21	54510052100	% SPROCKET SCREW-AH M8X26 WS=6	6
22	54310086200	SELF LOCKING NUT M8 10.9	6

C05503100

* NEW PART

X ON DEMAND

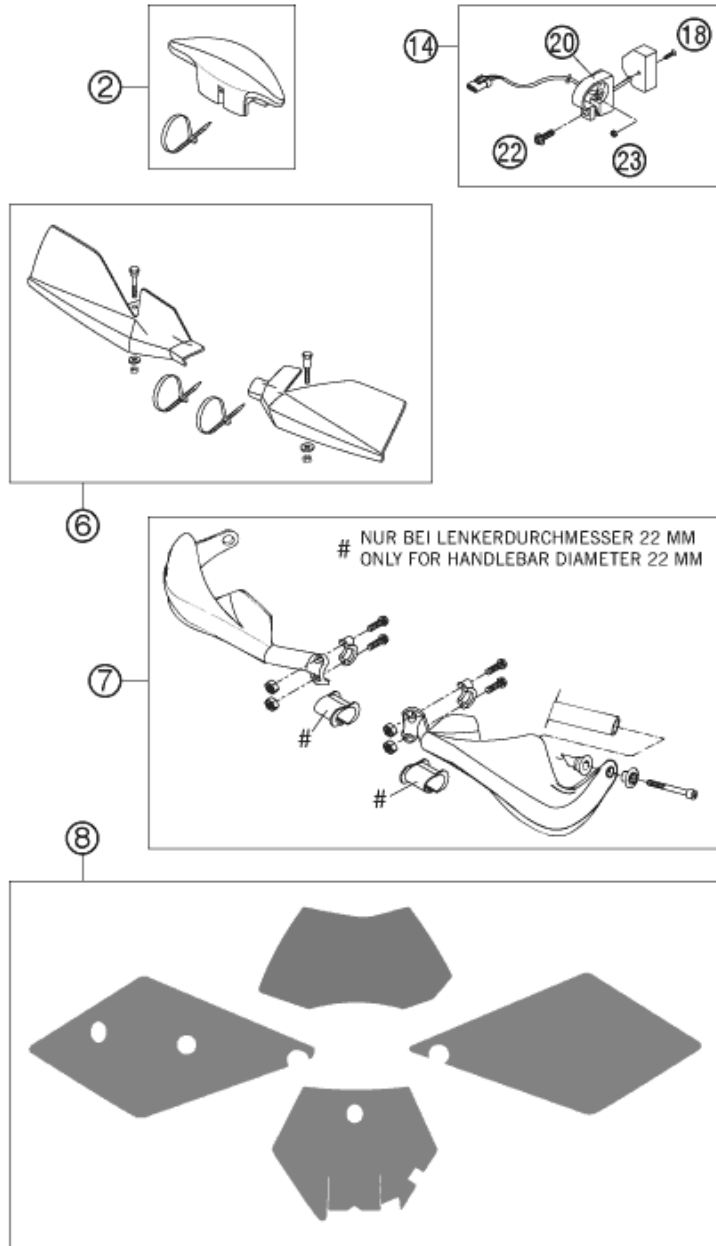


POS	PARTNUMBER	PARTNAME	PIECE
23	50310165118	CHAIN 5/8X1/4" MX 118 ROLLS	1
23	50310265114	% X-RING CHAIN 5/8X1/4" +M.LIN 114 ROLLS	1
23	50310265118	% X-RING CHAIN 5/8X1/4" +M.LIN 118 ROLLS	1
24	50310166000	CONNECTING LINK F. 50310165118	1
24	50310266000	CONNECTING LINK	1
33	54010100100	% RIM LOCK VM3 (2.15")	2
34	50310090050	% NUT FOR WHEEL HOLDER '96	2
38	55003135000	PLUG FOR RIM	x
39	50210086000	COVERING CAP SFL16	x
40	50310085044	% WH. SPINDLE RE. CPL.265MM 00	1
41	50310084000	CHAIN TENSIONER R/S 2000	1
42	50304040000	%SPEC. SCREW M10X1,25X40 WS=10	2
43	58414030000	HH COLLAR NUT M10X1,25 WS=13	2
44	50310099000	HEXAGON NUT M20X1,5 '98	1

05503100

05503100

* NEW PART X ON DEMAND



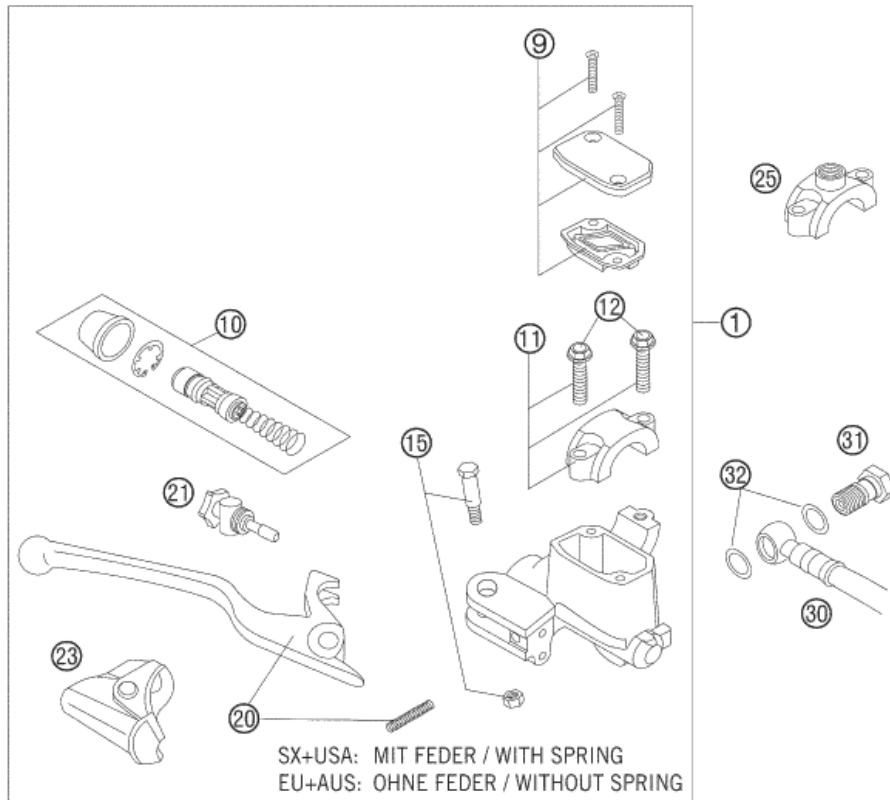
POS	PARTNUMBER	PARTNAME	PIECE
2	59002002000	% HANDLEBAR PAD 05	1
6	5480207900004	% HAND GRD CPL. L/S+R/S ORA.03	1
6	5480207900030	*HAND GUARD L/S+R/S BLA.03	1
7*	6000207910004	% HANDGUARD L/S+R/S CPL.ORANGE	1
7*	6000207910030	% HANDGUARD L/S+R/S CPL.BLCK	1
8*	5480808820020	NUMBER PLATE BACKGR. SX/EXC 05	1
8*	5480808820030	NO.PLATE BACKGROUND SX/EXC05	1
8*	5480808820038	NO. PLATE BACKGR. REDSX/EXC 05	1
8*	5480808820080	NO.PLATE BACKGROUND SX/EXC 05	1
14*	54814073000	TRIPMASTER-SWITCH 05	1
18	0965040125	FLAT HEAD SCREW DIN0966-M 4X20	1
20	50314068050	CLAMP FOR TRIPMASTER-SWITCH 03	1
22	0017060203	% EJOT PT SCREW K60X20 WS=6	1
23	0934040003	HEXAGON NUT DIN0934-M 4	1

05503120

C05503120

* NEW PART

X ON DEMAND



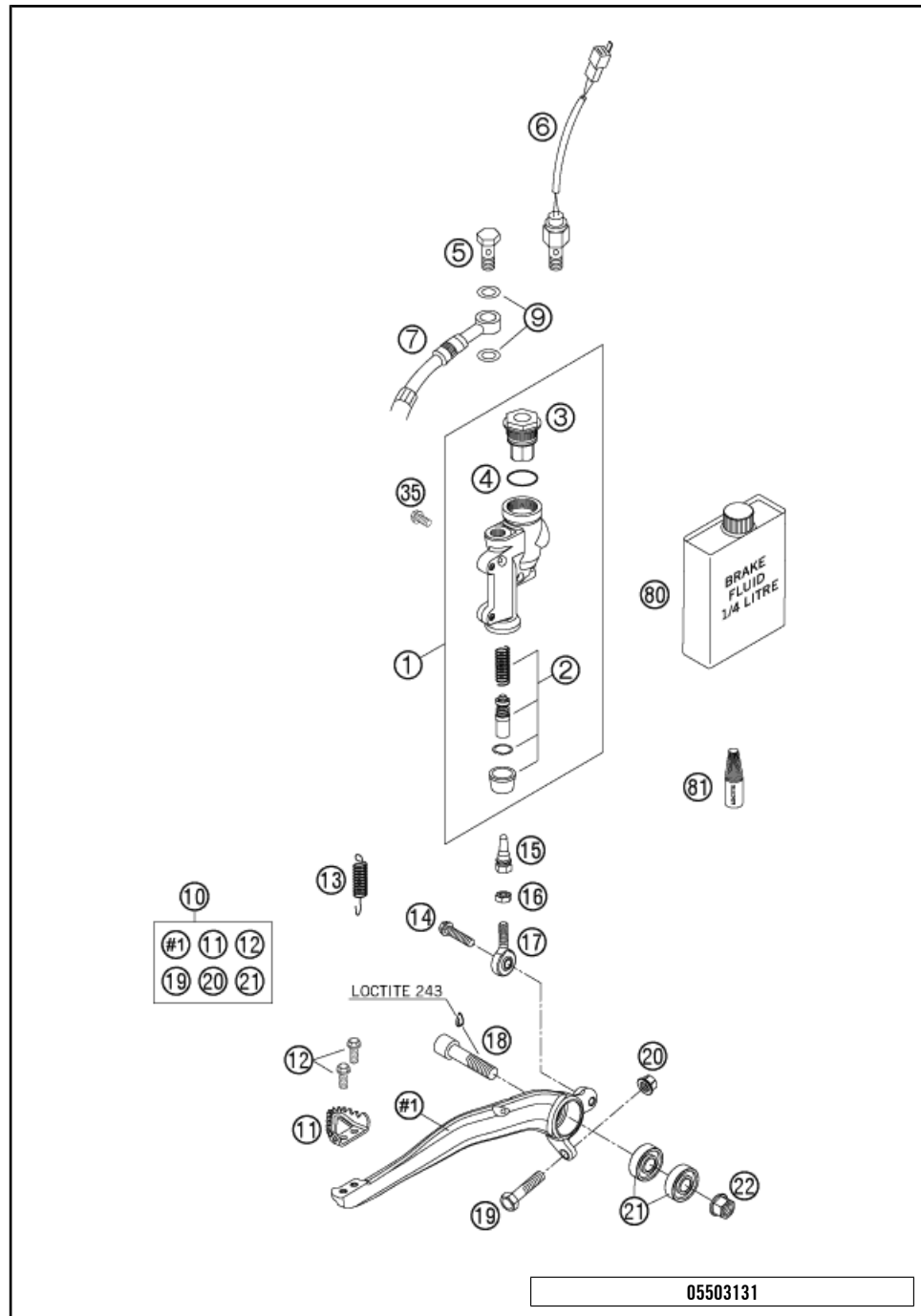
POS	PARTNUMBER	PARTNAME	PIECE
1*	54813001000	HAND BRAKE CYLINDER CPL. SX 05 SX, EXC+MXC (USA)	1
1*	54813001100	HAND BRAKE CYLINDER CPL.EXC 05 EXC+MXC (EU)	1
9	50313003000	HANDBRAKE CYL.COVER CPL.NATURE	1
10*	54813008000	REP.SET PISTON D=10MM SX 05 SX, EXC+MXC (USA)	1
10*	54813008100	REP.SET PISTON D=10MM EXC 05 EXC+MXC (EU)	1
11	50313005000	CLAMP CPL. NATURE	1
12	0015060253	% HH COLLAR SCREW M 6X25 WS=8	2
15	50313006100	LEVER SCREW CPL. 2001	1
20*	54813002000	%HAND BRAKE LEVER + SPRING '05	1
21*	54813007000	ADJUSTING SCREW CPL. SX 2005 SX, EXC+MXC (USA)	1
21*	54813007100	ADJUSTING SCREW CPL. EXC 2005 EXC EU	1
23	50313004000	PROTECTION CAP HAND BRAKE CYL.	1
25	58012040150	CLAMP FOR MIRROR '94	x
30	59013010000	BRAKEHO. FRONT 1235MM 2000 SX	1
30	59013011000	BRAKEHO. FRONT 1300MM 2000 EXC+MXC	1
31	50213025000	HOLLOW SCREW M10X1X19	1
32	42013226000	CU-SEAL RING DIN7603-10X16X1	2
80	306054	BRAKE FLUID DOT 4.0	1

05503130

C05503130

* NEW PART

X ON DEMAND

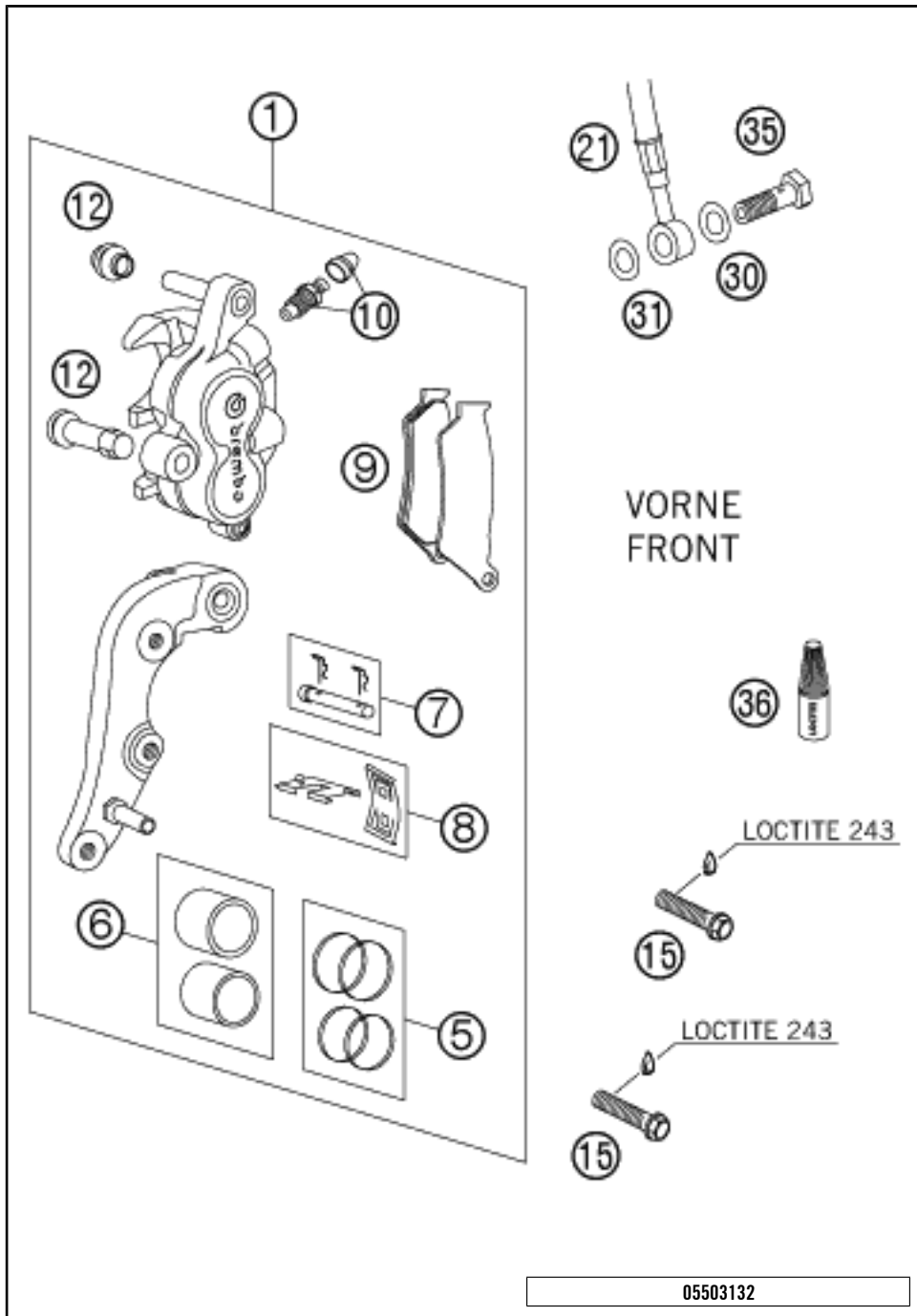


POS	PARTNUMBER	PARTNAME	PIECE
1	54813060100	%REAR BRAKE CYLINDER CPL. 2004	1
2	54813061000	%REPAIR KIT PISTON 13MM SX 03	1
3	54813062100	REAR BRAKE CYL. COVER CPL. 04	1
4	54813063000	FOOT-BRAKE CYL. GASKET SX 03	1
5	54813020100	HOLLOW SCREW BLACK M10X1X19 SX, EXC+MXC (USA)	1
6	50311051100	BRAKE LIGHT SWITCH REAR '98 EXC+MXC (EU)	1
7	54813070000	% BRAKE HOSE REAR 655MM 03	1
9	42013226000	CU-SEAL RING DIN7603-10X16X1	2
10	54813050044	FOOT BRAKE LEVER CPL. 03	1
11	54813051000	STEP PLATE FOR BRAKE LEVER	1
12	0015050123	HH COLLAR SCREW M 5X12 WS=8	2
13	54603062000	RETURN SPRING FOR BRAKE LEVER	1
14	0015060203	HH COLLAR SCREW M 6X20 WS=8	1
15	54813056000	PUSH ROD L=28MM 03	1
16	0934060003	HEXAGON NUT DIN0934-M 6	1
17	54813055000	SWIVEL HEAD KA6 03	1
18	0912100406	% AH SCREW DIN6912 M10X40 10.9	1
19	59001037000	SPECIAL SCREW M8X26 WS=10	1
20	46030045000	COLLAR NUT M8 WS=10	1
21	0625060002	BALL BEARING SKF 6000-2RS1	2
22	54630044000	COLLAR NUT M10 WS=13	1
35	0015060123	HH COLLAR SCREW M 6X12 WS=8	2
80	306054	BRAKE FLUID DOT 4.0	1
81	6899785	LOCTITE 243 BLUE 6CCM	1

05503131

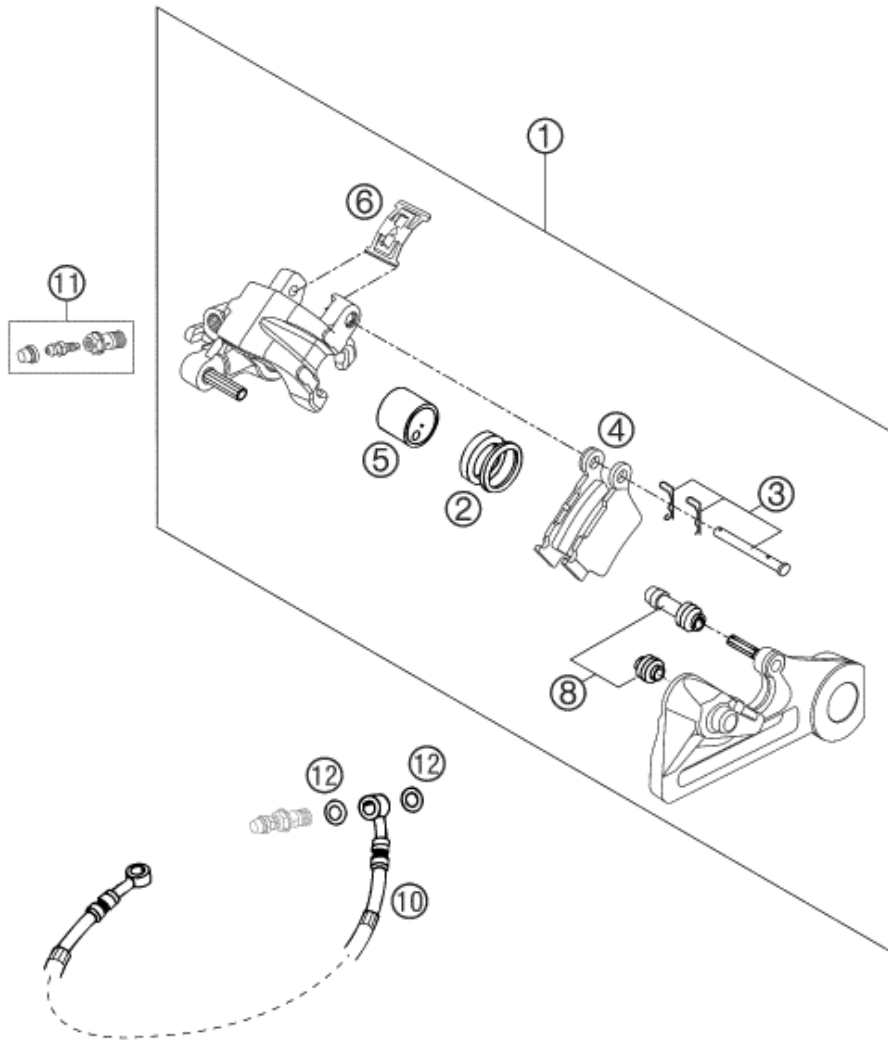
C05503131

* NEW PART X ON DEMAND



POS	PARTNUMBER	PARTNAME	PIECE
1	59013015144	% BRAKECALIPER FRONT BREMBO 00	1
5	54613205000	REPAIR KIT 28MM	1
6	54613206000	REPAIR KIT PISTON 28MM	1
7	54613210100	BOLT CPL. 6X56	1
8	54613212000	RETAINING PLATE SET BREMBO	1
9	50313030000	BRAKE PAD SET FR. TOSHIBA H38	x
9	54613209044	% BRAKE PAD SET FR. FERODID450	x
9	50313030100	% BRKP.SET FR.TOSHIBATT2701HHB	1
9	59013030000	% BRAKE PAD SET FRONT SINTER03	x
10	54513214000	% BLEEDER SCREW M10X1	1
12	54613218000	CUP SET SHORT	1
15	0015080353	HH COLLAR SCREW M 8X35 WS=10	2
21	59013010000	BRAKEHO. FRONT 1235MM 2000 SX	1
21	59013011000	BRAKEHO. FRONT 1300MM 2000 EXC	1
30	42013226000	CU-SEAL RING DIN7603-10X16X1	2
31	42013026000	CU-SEAL RING DIN7603-10X16X1,5	2
35	50213025000	HOLLOW SCREW M10X1X19	1
36	6899785	LOCTITE 243 BLUE 6CCM	1

* NEW PART X ON DEMAND



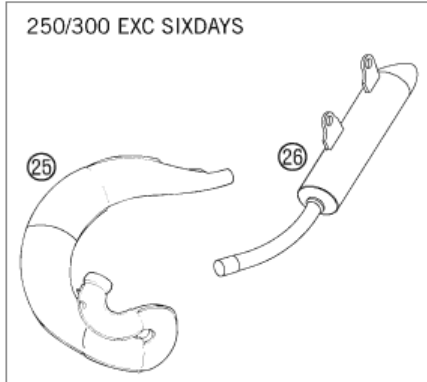
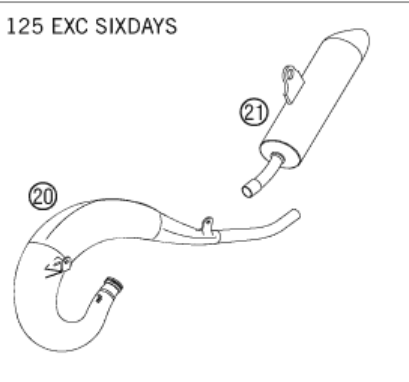
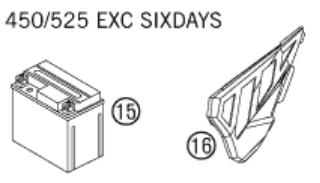
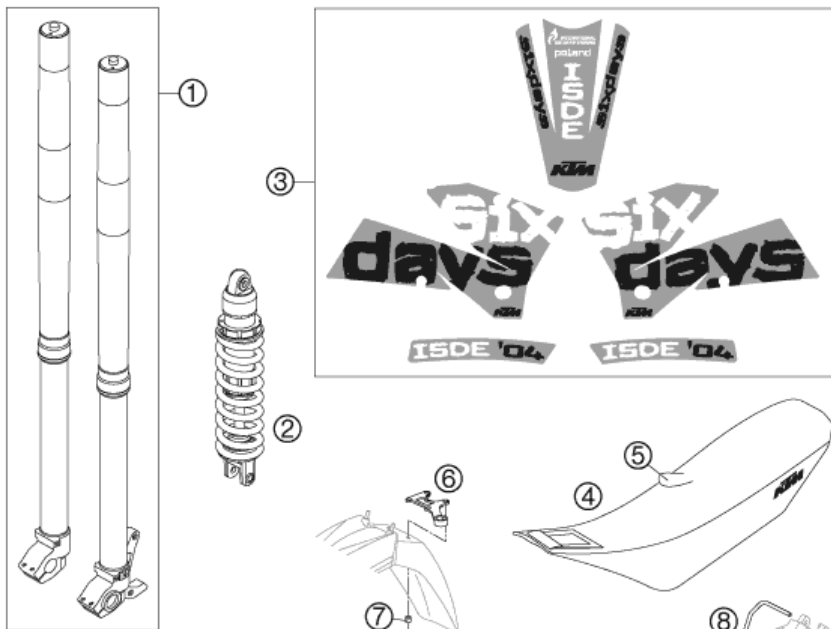
POS	PARTNUMBER	PARTNAME	PIECE
1*	54813080144	% BRAKE CALIPER REAR CPL. 2005	1
2	50313081200	REPAIR KIT SEALING RINGS 26MM	1
3	54813082000	BOLT SET FOR BRAKE CALIPER 03	1
4	54813090000	BRAKE PAD SET REAR TOSHIBA H38	x
4*	54813090100	% BRAKE PAD SET RR ORGANIC 04	x
4*	54813090200	% BRAKE PAD SET REAR SINTER 03	x
4*	54813090300	BRAKE PAD SET REAR TOYO	1
5	54813083000	% BRAKE PISTON 26MM 2003	1
6	54813018000	RETAINING SPRING SET 2003	1
8	54613218000	CUP SET SHORT	1
10	54813070000	% BRAKE HOSE REAR 655MM 03	1
11	54813020000	% BLEEDER HOLLOW SCREW M10X1	1
12	42013226000	CU-SEAL RING DIN7603-10X16X1	2

03590136

C05503133

* NEW PART

X ON DEMAND



POS	PARTNUMBER	PARTNAME	PIECE
1*	14187A21	* FR.FORK WP 125 EXC SIXDAYS	1
1*	14187A22	*FR.FORK WP 250/300 EXC SIXD05	1
1*	14187A23	FR.FORK WP 450/525 EXC SIXD.05	1
2*	12187A18	* MONOSHOCK 125 EXC SIXDAYS	1
2*	12187A19	*MONOSHOCK 250/300 EXC SIXD.05	1
2*	12187A20	MONOSHOCK 450/525 EXC SIXD. 05	1
3*	59008190500	* DECAL EXC SIXDAYS 05	1
4	54807040200	% SEAT EXC SIXDAYS 04	1
5	54807040250	SIX DAYS SEAT COVER	1
6	59008019000	BRAKE HOSE GUIDE 2000	1
7	50208020000	SPACER BUSHING 7X10X7,5	4
8*	50313082200	BRAKE PAD RETAINING PIN	1
9*	54809081060	FRONT AXLE PULL 26MM 04	1
10	5021204000030	MIRROR L/S BLACK ACERBIS '97	1
15*	80011053000	BATTERY 12V/7AH 04	1
16*	59206003100	% FILTER BOX COVER 20	1
20	50305007100	EXHAUST SILENCER 125 EXC SD 02	1
21	50305081200	* EXHAU.SILENCER 125 SIX DAYS	1
25*	SXS03250500	EXHAUST PIPE 250 SXS 03	1
26	52305081200	% SILENCER 250-300 SIX DAYS 02	1

05503270

C05503270

* NEW PART

X ON DEMAND



WWW.KTM.COM



KTM-Sportmotorcycle AG
5230 Mattighofen, Austria
www.ktm.com



KTM_POWERPARTS

KTM_POWERWEAR

KTM_ORIGINAL SPARE PARTS



3CF 6101E0EN

Art. Nr.: 3CF 6101E0EN 25. Aug 2014