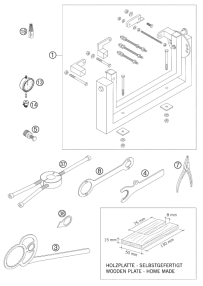
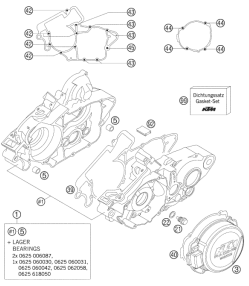
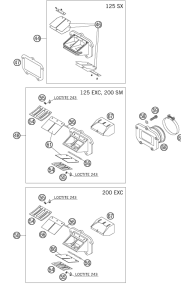
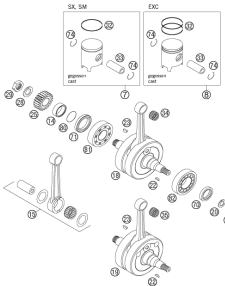
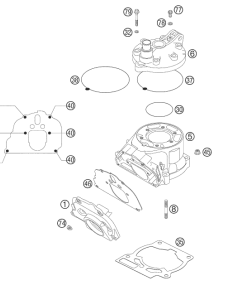
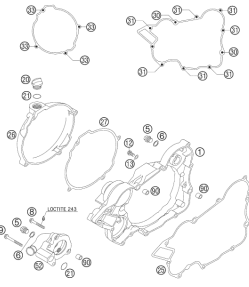
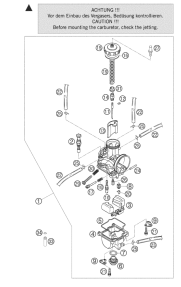
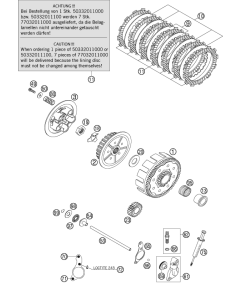
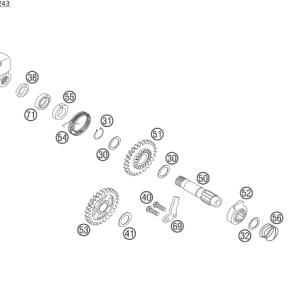
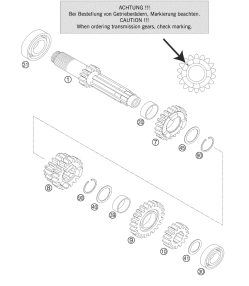
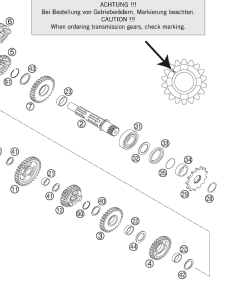
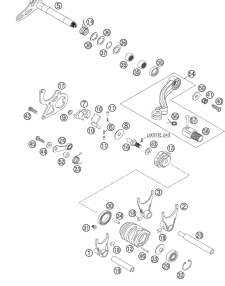
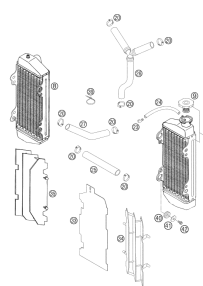
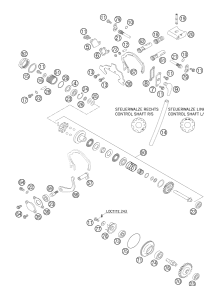
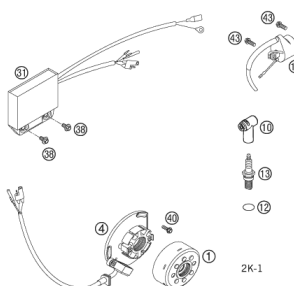
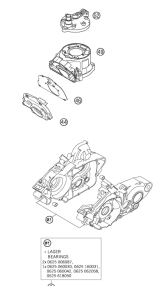


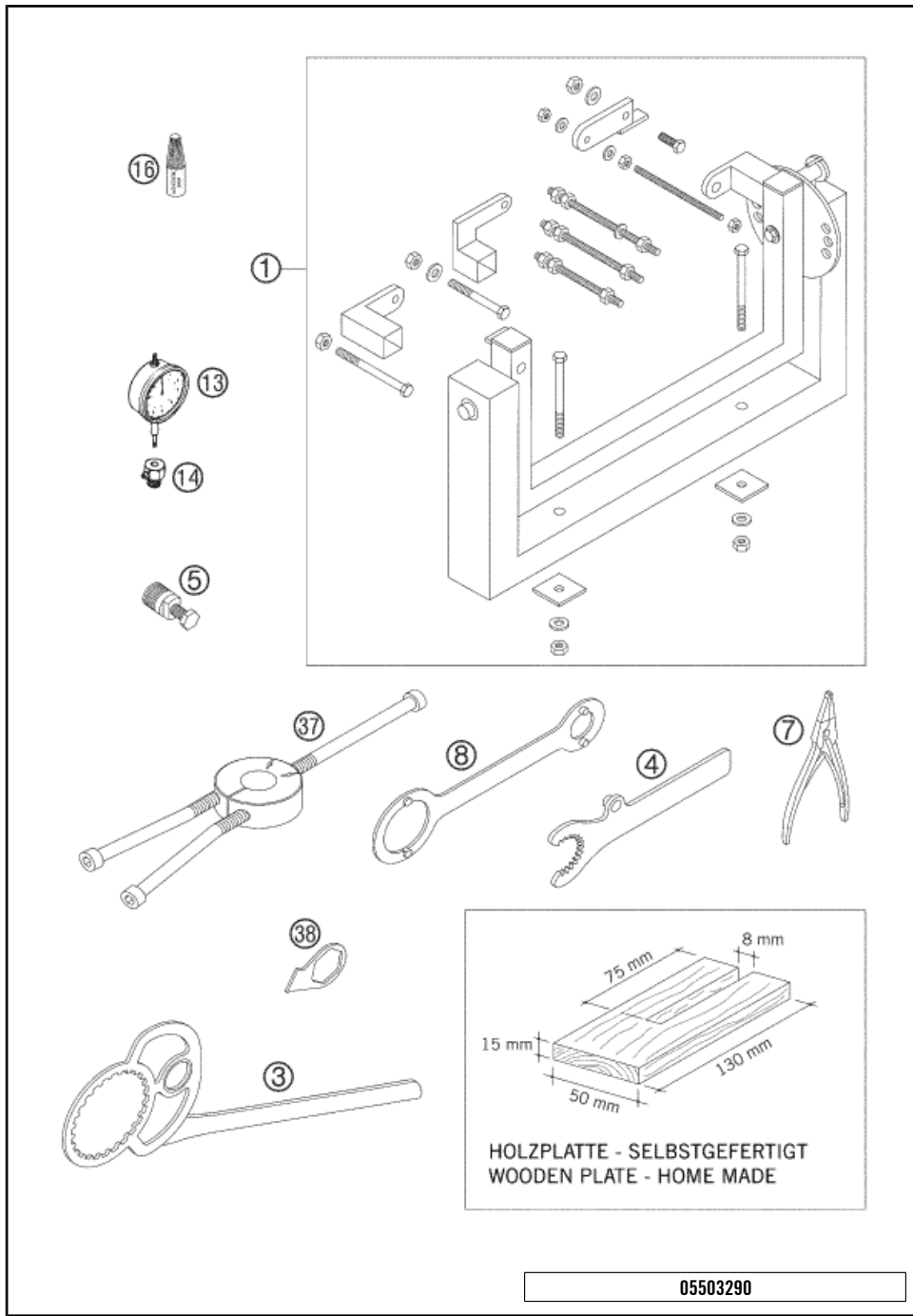
125 SX 2005

ART.-NR.: 3CM081519EN



<p>SPECIAL TOOLS</p>  <p>3</p>	<p>ENGINE CASE</p>  <p>4</p>	<p>REED VALVE CASE</p>  <p>5</p>	<p>CRANKSHAFT, PISTON</p>  <p>6</p>
<p>CYLINDER 125/200</p>  <p>8</p>	<p>CLUTCH COVER</p>  <p>9</p>	<p>CARBURETOR</p>  <p>10</p>	<p>CLUTCH</p>  <p>13</p>
<p>KICK STARTER</p>  <p>15</p>	<p>TRANSMISSION I - MAIN SHAFT</p>  <p>16</p>	<p>TRANSMISSION II - COUNTERSHAFT</p>  <p>17</p>	<p>SHIFTING MECHANISM</p>  <p>18</p>

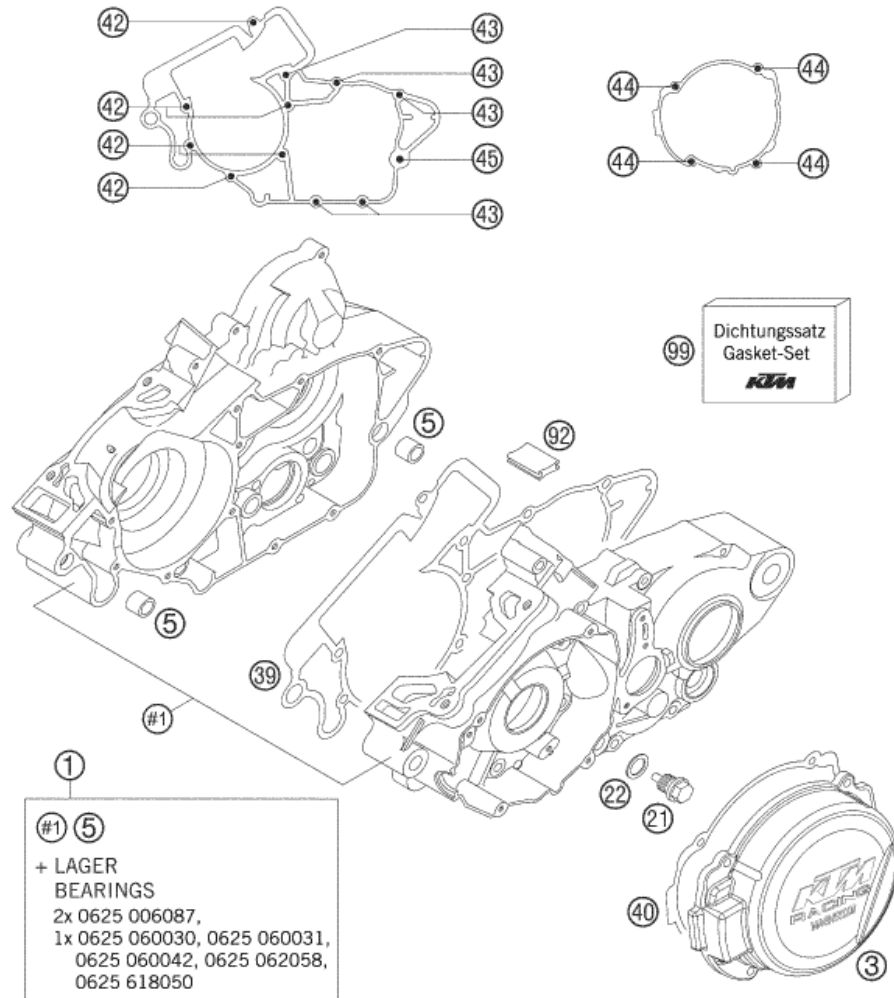
<p>COOLING SYSTEM</p>  <p style="text-align: right;">20</p>	<p>EXHAUST CONTROL</p>  <p style="text-align: right;">21</p>	<p>IGNITION SYSTEM</p>  <p style="text-align: right;">23</p>	<p>NEW PARTS</p>  <p style="text-align: right;">24</p>
<div style="display: flex; align-items: center;"> <div style="background-color: #cccccc; width: 50px; height: 50px; display: flex; align-items: center; justify-content: center; margin-right: 10px;"> ! </div> <div> <p>All information contained is without obligation. KTM-Sportmotorcycle AG particularly reserves the right to modify any equipment, technical specifications, prices, colors, shapes, materials, services, service work, constructions, equipment and the like so as to adapt them to local conditions or to cancel any of the above items, all without previous announcement and without giving reasons. KTM may stop manufacturing certain models without previous notice. KTM shall not be held liable for any deviations of availability and/or ability to deliver, illustrations, descriptions, printing and/or other errors. The illustrated models partly contain extra equipment, which is not applied to standard models.</p> <p>© by KTM-SPORTMOTORCYCLE AG, Mattighofen AUSTRIA; All rights reserved; Reprint, also in extracts, with written allowance of KTMSPORTMOTORCYCLE AG, Mattighofen only.</p> </div> </div>			



POS	PARTNUMBER	PARTNAME	PIECE
1	56012001000	ASSY SUPPORT (WITHOUT HOLDER)	1
3	50329003000	HOLD. PLATE CLUTCH 125/200 '98	1
4	50329004000	HOLDER FOR PRIMARY GEAR '98	1
5	54629009044	MAGNETIC PULLER M 27X1 KOKUSAN	1
7	51012011000	SPECIAL CIRCLIP PLIER	1
8	54629012100	%HOLD SPANNER ROTOR 2K-1/2/3/4	1
13	50112013000	DIAL GAUGE 0-10MM	1
14	50112030000	DIAL GAUGE SUPPORT	1
16	6899785	LOCTITE 243 BLUE 6CCM	1
37	58429037037	MOUNTING TOOL INNER RING NJ206	1
38	50329038000	BRACKET FOR LOCATING DRUM '98	1

C05503290

* NEW PART X ON DEMAND



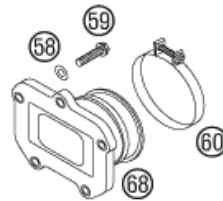
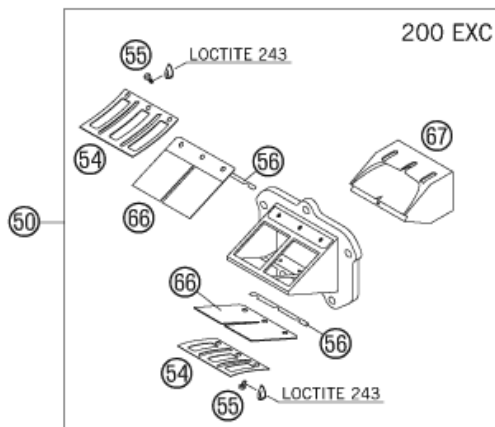
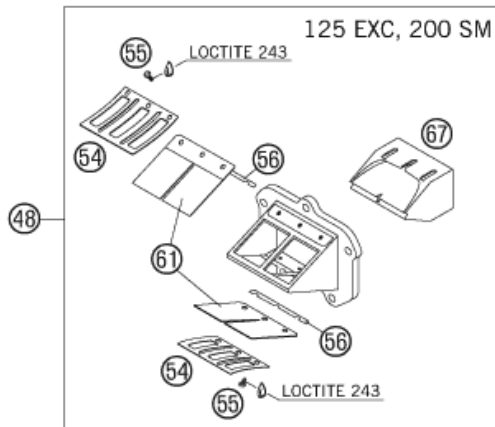
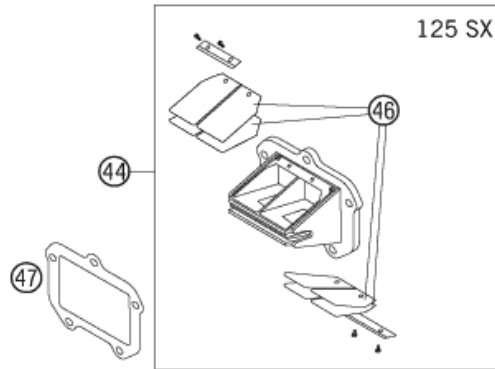
POS	PARTNUMBER	PARTNAME	PIECE
1*	52330000544	% ENGINE CASE CPL. W. TR.BEAR	1
3	5033000220098	% IGNIT.COVER 125/200 MAG. 01	1
5	54630027000	DOWEL BUSHING 13,8X11X12	2
21	58030021000	OILDRAIN PLUG W.MAG. M 12X1,5	1
22	58038022000	CU-SEAL RING DIN7603-12X18X1,5	1
39	50330039000	ENGINE CASE GASKET 0,5MM '98	1
40	50330040100	IGNITION COVER GASKET 2001	1
42	0015060503	HH COLLAR SCREW M 6X50 WS=8	6
43	0015060553	HH COLLAR SCREW M 6X55 WS=8	5
44	0015050163	HH COLLAR SCREW M 5X16 WS=8	4
45	0015060603	HH COLLAR SCREW M 6X60 WS=8	1
92	50330092000	OIL GUARD GROMMET 25X31 '98	1
99	50330099000	% GASKET SET 125-200 '98-'05	1

05503300

C05503300

* NEW PART

X ON DEMAND



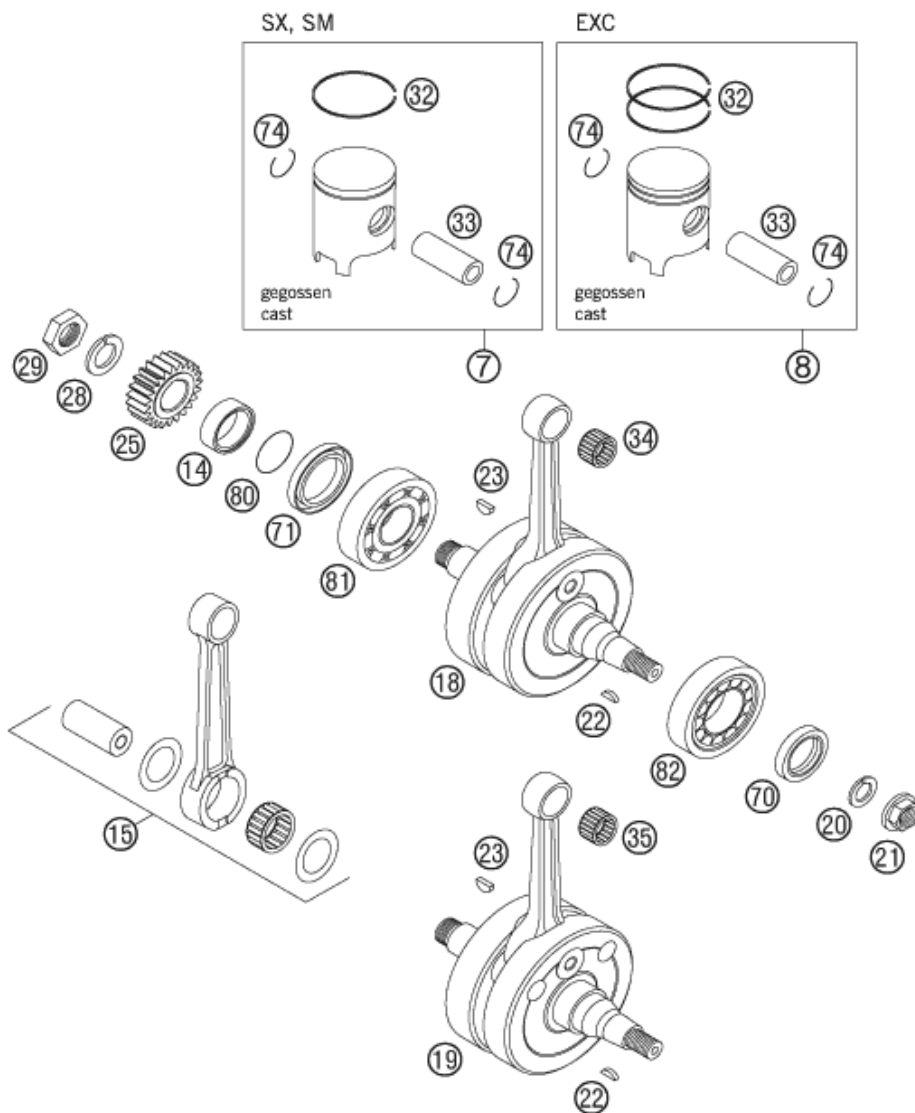
POS	PARTNUMBER	PARTNAME	PIECE
44	50330051344	REED VALVE ASSY CPL.V-FORCE 04	1
46	50330052144	REED VALVE SET V-FORCE 2004	1
47	50330098050	GASKET REED V,PLATE V-FORCE 04	1
48	50330051244	REED VALVE ASSY CPL. 2000	1
50	52330051144	% REED VALVE ASSY CPL. 2001	1
54	54630053000	STOP PLATE TOP	2
55	0084040063	CYL.HEAD SCREW DIN0084-M 4X 6A	6
56	54230056000	PAPER STRIP	2
58	0137060003	SPRING WASHER DIN0137-B 6	5
59	0015060253	% HH COLLAR SCREW M 6X25 WS=8	5
60	54330061000	CLAMP 52/12 GEMI	1
61	50330052044	REED VALVE SET 0,44MM 2000	1
66	54730052040	REED VALVE CARBON 0,4MM '99	2
67	50330054100	REED VALVE INSERT 2000	1
68	50330050200	INTAKE FLANGE 2000	1

05503301

C05503301

* NEW PART

X ON DEMAND



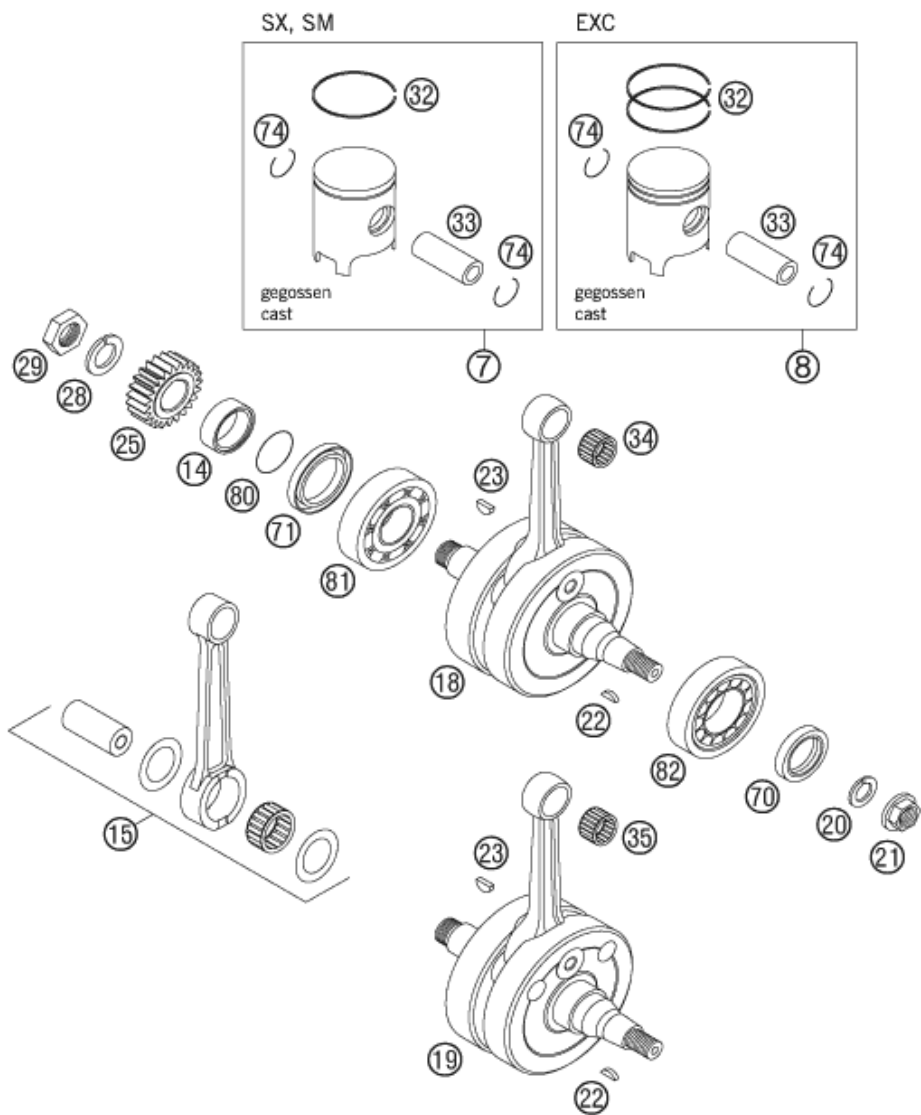
05503302

POS	PARTNUMBER	PARTNAME	PIECE
7	50330007500 I	%PISTON I CPL. 54MM 125 2001	1
7	50330007500 II	% PISTON II CPL. 54MM 125 2001	1
7	52330007400 I	PISTON I CPL. 64MM 200 2004	1
7	52330007400 II	PISTON II CPL. 64MM 200 2004	1
8	50330007400 I	% PISTON I CPL. 54MM 125 '00	1
8	50330007400 II	% PISTON II CPL. 54MM 125 '00	1
8	52330007300 I	PISTON I CPL. 64MM 200 2004	1
8	52330007300 II	PISTON II CPL. 64MM 200 2004	1
14	54633014100	SPACER BUSHING 12MM	1
15	50330015000	% CON.ROD REPAIR KIT 125'98	1
15	52330015000	% CON.ROD REPAIR KIT 200'98	1
18	50330018100	% CRANKSHAFT 125 EXE/EXC 2001 STROKE 54,5	1
18	50330018200	% CRANKSHAFT 125 SX 2001 STROKE 54,5	1
19	52330018100	% CRANKSHAFT 200 SX,MXC,EXC 03 STROKE 60	1
20	50230029012	LOCKING RING VSK 12	1
21	49030021000	COLLAR NUT M12X1 R/S	1
22	0888030050	WOODRUFF KEY DIN6888-3X5X13	1
23	6946005	WOODRUFF KEY 5X6,5 HARDED	1
25	50332023023	PRIM. PINION 23-T 125/200'98	1
28	50230029016	LOCKING RING VSK 16	1
29	50330029000	HEXAGON NUT M 16 X 1,5 - L/S	1
32	50330032500	% SQUARE RING 54X1 125 2001	x
32	52330032100	SQUARE RING 64X1 200 2002	x
33	50330033500	PISTON PIN 15X45,2 125 2001	1
33	52330033100	PISTON PIN 11X16X46 200 02	1
34	51030034000	NEEDLE BEARING KBK 15X19X20 125	1
35	52330034000	NEEDLE BEARING KV16X20X20 FN 200	1
70	0760253570	SHAFT SEAL RING 25X35X7 BTSL	1
71	0760324564	SHAFT SEAL RING 32X45X6,5 BT	1
74	50330074500	WIRE LOCK RING 15X1 125	2
74	52330074100	WIRE LOCK RING 16X1,2 200	2

C05503302

* NEW PART

X ON DEMAND

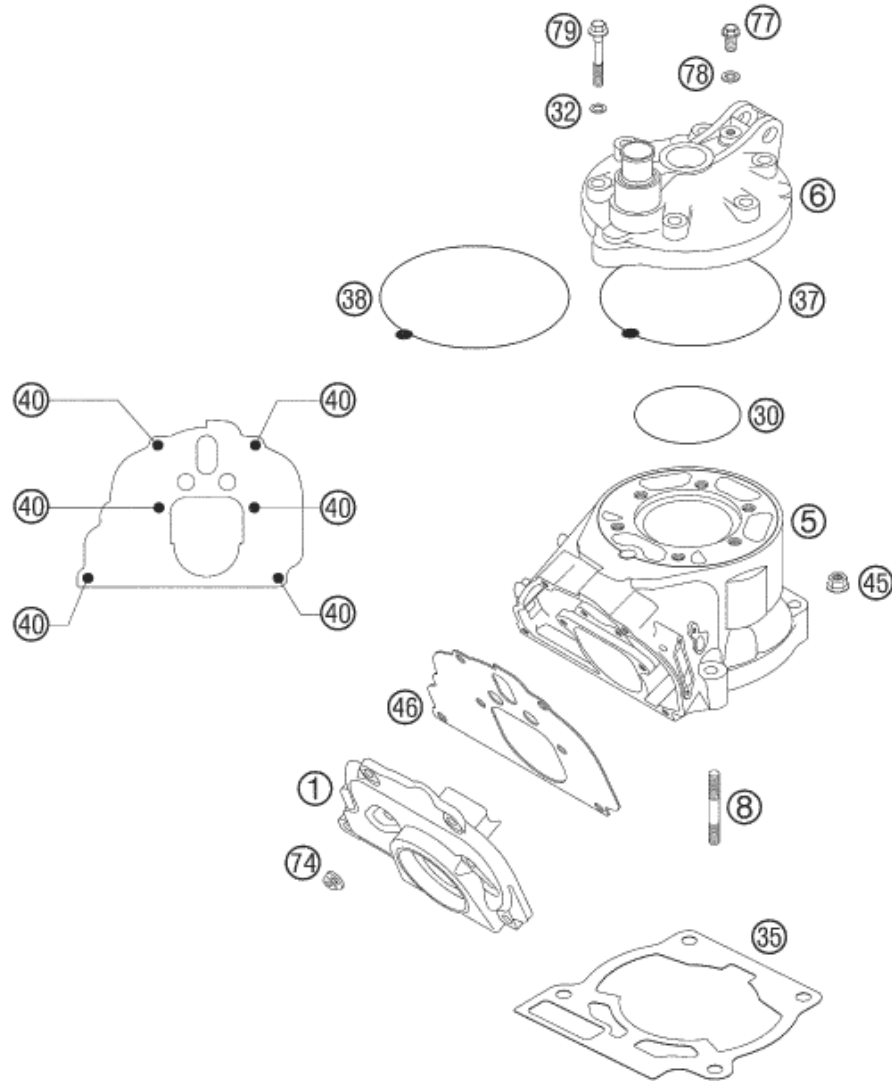


POS	PARTNUMBER	PARTNAME	PIECE
80	0770250020	O-RING 25,00X2,00 NBR 70	1
81	0625063055	BALL BEARING 6305 JR2 CS36	1
82	50330082000	CYL.ROLLER BEAR.NJ206 ET2XCS46	1

05503302

C05503302

* NEW PART X ON DEMAND



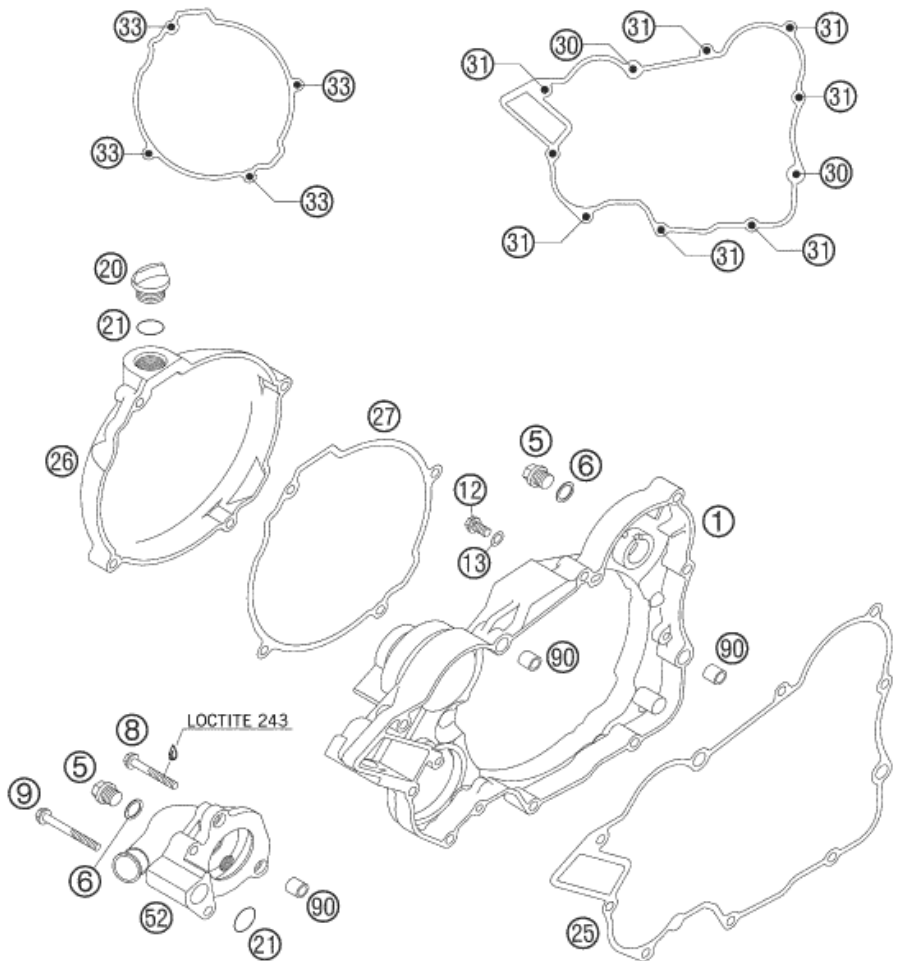
POS	PARTNUMBER	PARTNAME	PIECE
1	50337001100	INTERMEDIATE FLANGE 125 2000	1
1	52337001200	INTERMEDIATE FLANGE 200 2000	1
5	50330005300	CYLINDER 125 2002	1
5	52330005300	% CYLINDER 200 2003	1
6	50330006400	CYLINDER HEAD 125 SX/EXC 2002	1
6	52330006100	% CYLINDER HEAD 200 2003	1
8	0835080273	% STUD DIN0835-M 8X27 125	4
8	0835080355	STUD DIN0835-M 8X35 10.9 200	4
30	0770062020	O-RING 62,00X2,00 VITON 125	1
30	0770720021	O-RING 72,00X2,00 VITON 200	1
32	50230032010	% CU-SEAL RING 7,3 X 12 X 0,5	6
35	50330035007	% CYL.BASE GASKET 0,07MM PAPER	x
35	50330035015	% CYLINDER BASE GASKET 0,15MM	x
35	50330035020	CYLINDER BASE GASKET 0,20MM	x
35	50330035025	CYLINDER BASE GASKET 0,25MM	x
35	50330035040	CYLINDER BASE GASKET 0,40MM	x
35	50330035050	CYLINDER BASE GASKET 0,50MM	x
35	50330035075	CYLINDER BASE GASKET 0,75MM	x
37	50330137000	CYL.HEAD SEAL RING 125 2002 125	1
38	52330137000	CYL.HEAD SEAL RING 200 2003 200	1
40	0015050203	HH COLLAR SCREW M 5X20 WS=8	6
45	50330045000	HH COLLAR NUT M 8 WS=12	4
46	50337046100	INTERMED.GASKET 1,1MM 125 2000	1
46	52337046100	INTERMED.GASKET 1,1MM 200 2000	1
74	51005074000	RETAINING PLATE	2
77	0015060103	% HH COLLAR SCREW M 6X10 WS=8	1
78	0603061001	CU-SEAL RING DIN7603-6X10X1	1
79	50030079000	CYL. HEAD BOLT M 7X40 WS=10	6

05503303

C04503303

* NEW PART

X ON DEMAND



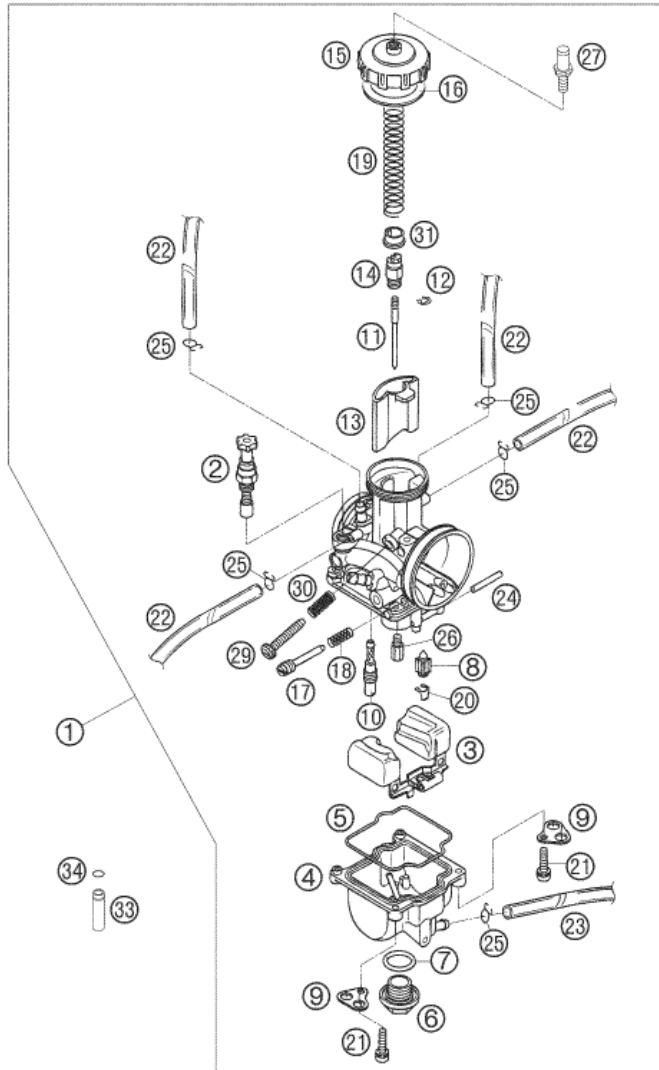
POS	PARTNUMBER	PARTNAME	PIECE
1	5033000114498	CLUTCH COVER CPL.125/200 02	1
5	0910100003	PLUG DIN0910-M 10X1	2
6	0603100141	COPPER GASKET DIN7603-10X14X1	2
8	0015060353	% HH COLLAR SCREW M 6X35 WS=8	2
9	0015060503	HH COLLAR SCREW M 6X50 WS=8	2
12	0015060123	HH COLLAR SCREW M 6X12 WS=8	1
13	0603061001	CU-SEAL RING DIN7603-6X10X1	1
20	58030020000	% PLUG M 24X3	1
21	0770160030	O-RING 16,00X3,00 NBR 70	2
25	50330025000	CLUTCH COVER GASKET 0,5MM	1
26	5033002600098	% CLUTCH OUTS.COVER 125/200 01	1
27	50330027000	CLUTCH OUTS.COVER GASKET 1MM	1
30	0015060403	% HH COLLAR SCREW M 6X40 WS=8	2
31	0015060353	% HH COLLAR SCREW M 6X35 WS=8	7
33	0015060253	% HH COLLAR SCREW M 6X25 WS=8	4
52	50335052000	% WATER PUMP COVER 125/200 98	1
90	49030090000	DOWEL 9,8 X 7 X 10	4

05503306

C05503306

* NEW PART X ON DEMAND

▲ ACHTUNG !!!
 Vor dem Einbau des Vergasers, Bedüsung kontrollieren.
CAUTION !!!
 Before mounting the carburetor, check the jetting.



05503310

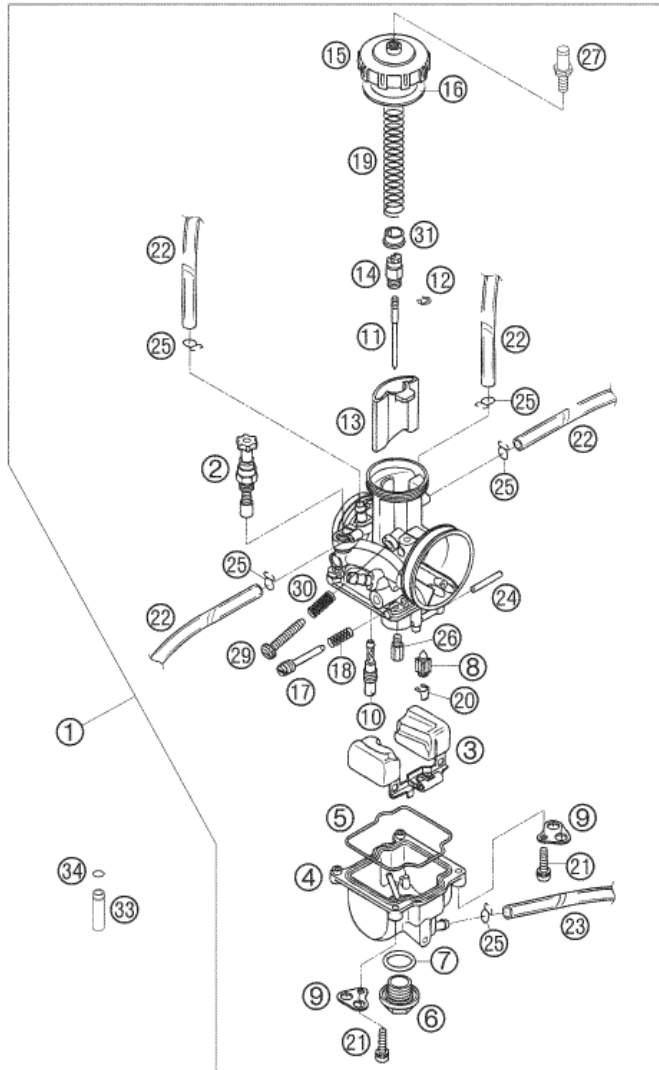
POS	PARTNUMBER	PARTNAME	PIECE
1	50331001744	CARBURETOR KEIHIN PWK 39 2002 125 SX, 200 SM	1
1	50331001944	CARBURETOR KEIHIN PWK 38AG 02 125/200 EXC	1
2	54631245000	STARTER PISTON CPL.	1
3	54631209000	FLOAT R-39 16GRAM	1
4	54631211000	FLOAT CHAMBER	1
5	54531610000	GASKET FLOAT CHAMBER	1
6	54531699000	PLUG M 18X1	1
7	0770180230	O-RING 18,00X2,30 NBR 70	1
8	54631220000	FLOAT NEEDLE	1
9	54531612100	RETAINING PLATE FOR BLEEDER	2
10	54531607035	IDLE JET 35 KEIHIN 125/200 EXC (EU+AUS)	x
10	54531607040	IDLE JET 40 KEIHIN	x
10	54531607042	IDLE JET 42 KEIHIN	x
10	54531607045	IDLE JET 45 KEIHIN 125 SX, 200 SM + EXC (USA)	1
10	54531607048	IDLE JET 48 KEIHIN	x
10	54531607050	IDLE JET 50 KEIHIN	x
11	54531636004	JET NEEDLE NOZ D KEIHIN	x
11	54531636005	JET NEEDLE NOZ E KEIHIN 200 EXC (USA)	1
11	54531636006	JET NEEDLE NOZ F KEIHIN	x
11	54531636007	JET NEEDLE NOZ G KEIHIN	x
11	54531636008	JET NEEDLE NOZ H KEIHIN	x
11	54531636009	JET NEEDLE NOZ I KEIHIN	x
11	54531634367	JET NEEDLE R 1467 D KEIHIN	x
11	54531634368	JET NEEDLE R 1468 D KEIHIN	x
11	54531634369	JET NEEDLE R 1469 D KEIHIN 125 SX	1
11	54531634370	JET NEEDLE R 1470 D KEIHIN	x
11	54531634175	JET NEEDLE R 1475 J KEIHIN 200 EXC (EU+AUS)	1
11	54531634272	JET NEEDLE R 1472 N KEIHIN 125 EXC	1
11	54731034200	JET NEEDLE KEIHIN R1468G 03 200 SM	1
11	54731034300	JET NEEDLE KEIHIN R1469G 03	x

C05503310

* NEW PART

X ON DEMAND

▲ **ACHTUNG !!!**
 Vor dem Einbau des Vergasers, Bedüsung kontrollieren.
CAUTION !!!
 Before mounting the carburetor, check the jetting.



05503310

POS	PARTNUMBER	PARTNAME	PIECE
12	54531629000	CLIP FOR JET NEEDLE	1
13	54631235006	THROTTLE VALVE 60 KEIHIN	x
13	54631235106	THROTTLE VALVE 65 KEIHIN 125/200 EXC	1
13	54631235055	THROTTLE VALVE 55 KEIHIN 125 SX, 200 SM	1
14	54631232000	NIPPLE	1
15	54631227000	CARBURETOR COVER	1
16	54531628000	RUBBER SEAL RING 40X46X1	1
17	54531617000	ADJUSTMENT SCREW	1
18	54531615000	SPRING FOR ADJUSTMENT SCREW	1
19	54831030000	SLIDING SPRING	1
20	54531621000	CLAMP	1
21	0016040163	HH COLLAR SCREW M 4X16 WS=6	4
22	31007007101	PVC-HOSE 4X6MM	2
23	52031137001	PVC-HOSE 3X5MM	0
24	54531608000	STUD 2,5X25	1
25	54531696000	CLAMP 6 MM	x
26	54531623148	MAIN JET 148 KEIHIN 125 EXC	1
26	54531623170	MAIN JET 170 KEIHIN	x
26	54531623172	MAIN JET 172 KEIHIN	x
26	54531623175	MAIN JET 175 KEIHIN	x
26	54531623178	MAIN JET 178 KEIHIN 200 EXC (USA)	1
26	54531623180	MAIN JET 180 KEIHIN 200 EXC (EU+AUS)	1
26	54531623182	MAIN JET 182 KEIHIN	x
26	54531623185	MAIN JET 185 KEIHIN	x
26	54531623188	MAIN JET 188 KEIHIN 125 SX, 200 SM	1
26	54531623190	MAIN JET 190 KEIHIN	x
26	54531623192	MAIN JET 192 KEIHIN	x
26	54531623195	MAIN JET 195 KEIHIN	x
27	54831029000	THROTTLE CALBE HOLDER M6X0,75	1
29	54631219100	ADJUSTMENT SCREW M 5	1
30	54631118000	SPRING	1
31	54631231000	SPRING CAP	1

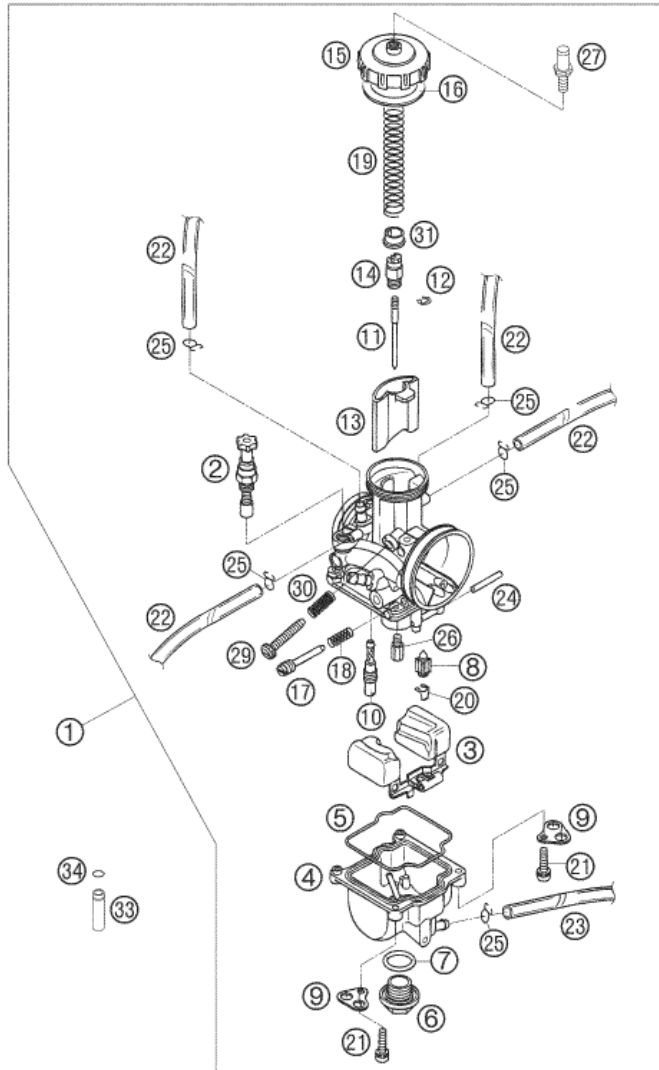
C05503310

* NEW PART

X ON DEMAND



ACHTUNG !!!
 Vor dem Einbau des Vergasers, Bedüsung kontrollieren.
CAUTION !!!
 Before mounting the carburetor, check the jetting.



05503310

POS	PARTNUMBER	PARTNAME	PIECE
33	50331029036	SLIDE STOP L=36MM	X
34	0770060018	O-RING 6,00X1,78	X

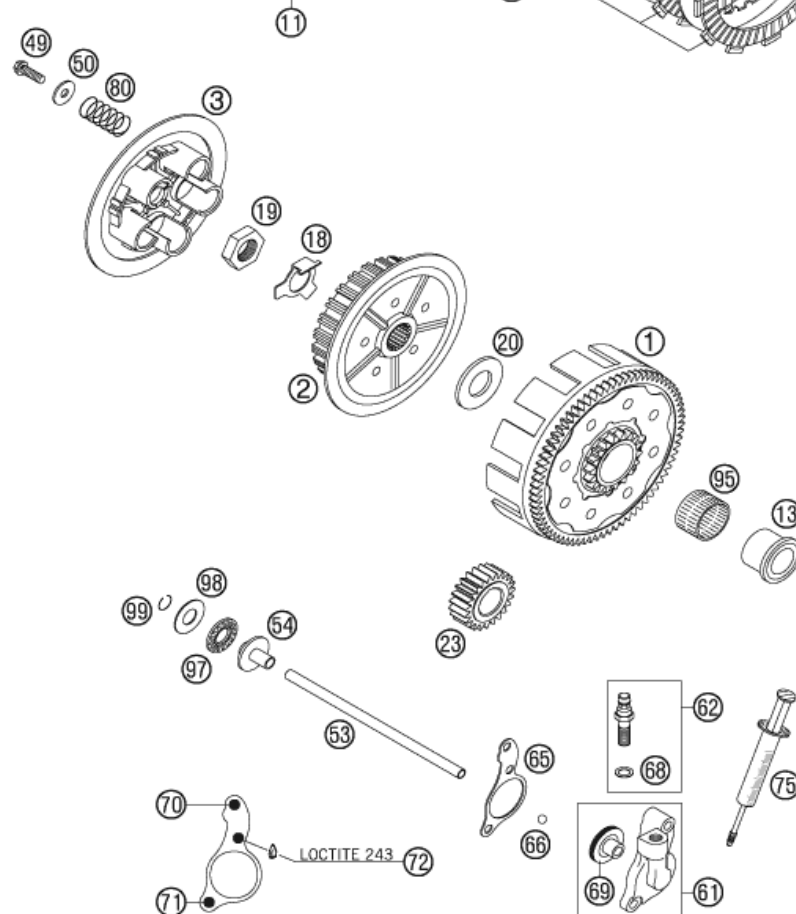
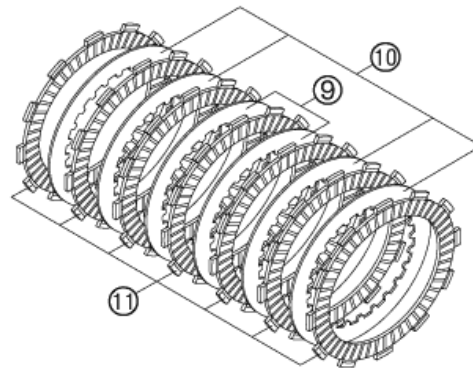
C05503310

* NEW PART

X ON DEMAND

ACHTUNG !!!
Bei Bestellung von 1 Stk. 50332011000 bzw. 50332011100 werden 7 Stk. 77032011000 ausgeliefert, da die Belaglamellen nicht untereinander getauscht werden dürfen!

CAUTION !!!
When ordering 1 piece of 50332011000 or 50332011100, 7 pieces of 77032011000 will be delivered because the lining disc must not be changed among themselves!



05503320

POS	PARTNUMBER	PARTNAME	PIECE
1	50332000073	% OUTER CLUTCH H.73-T 125/200 WITHOUT PRIMARY PINION	1
2	50332002000	INNER CLUTCH HUB 125/200'98	1
3	50332003000	PRESSURE PLATE 125/200'98	1
9	50332010100	INTERMEDI. DISC STEEL 1,5MM'98	2
10	50332010000	%INTERM'IATE DISC ALU 1,5MM'98	4
11	50332011000	% ORGANIC DISK 3MM '98	7
13	50332013000	INNER RING 20X26X25,9 '98	1
18	50332018000	SHEET METAL LOCK 1,5MM '98	1
19	0936181505	HEXAGON NUT DIN0936-M18X1,5 R.	1
20	50332020000	STOP DISK 20X39,6X3 '98	1
23	50332023023	PRIM. PINION 23-T 125/200'98	1
49	0015060203	HH COLLAR SCREW M 6X20 WS=8	5
50	50232050000	WASHER 6,2X18X2 125	5
50	52332006100	STEPPED WASHER 03 200	5
53	50332017200	% PUSH ROD L=179MM 125/200'98	1
54	50332054051	% PRESSURE PIECE 125-380 '98	1
61	50332061044	CYLINDER CPL. 125/200'98	1
62	50332062000	HOLLOW SCREW CPL. M 10X1 '98	1
65	50332065051	CLUTCH RELEASE GASKET 0,3MM	x
65	50332065052	CLUTCH RELEASE GASKET 0,5MM	x
65	50332065053	CLUTCH RELEASE GASKET 0,75MM	x
66	0401070003	BALL DIN5401-7	1
68	42013226000	CU-SEAL RING DIN7603-10X16X1	1
69	50332066000	PISTON W. O-RING 125/200 2000	1
70	0015060403	% HH COLLAR SCREW M 6X40 WS=8	1
71	0015060203	HH COLLAR SCREW M 6X20 WS=8	1
72	0015060253	% HH COLLAR SCREW M 6X25 WS=8	1
75	50329050000	VENT INJEKTION HYDR. CLUTCH	1
80	50332005000	CLUTCH SPRING 2,3X39,5 125'98	5
80	52332005000	CLUTCH SPRING 2,4X40 200'98	5
95	56532095000	NEEDLE BEARING K26X30X22ZW.KSE	1
97	54637097200	AXIAL NEEDLE BEARING AXK 1226	1
98	54637098200	AXIAL WASHER AS1226 12X26X1	1

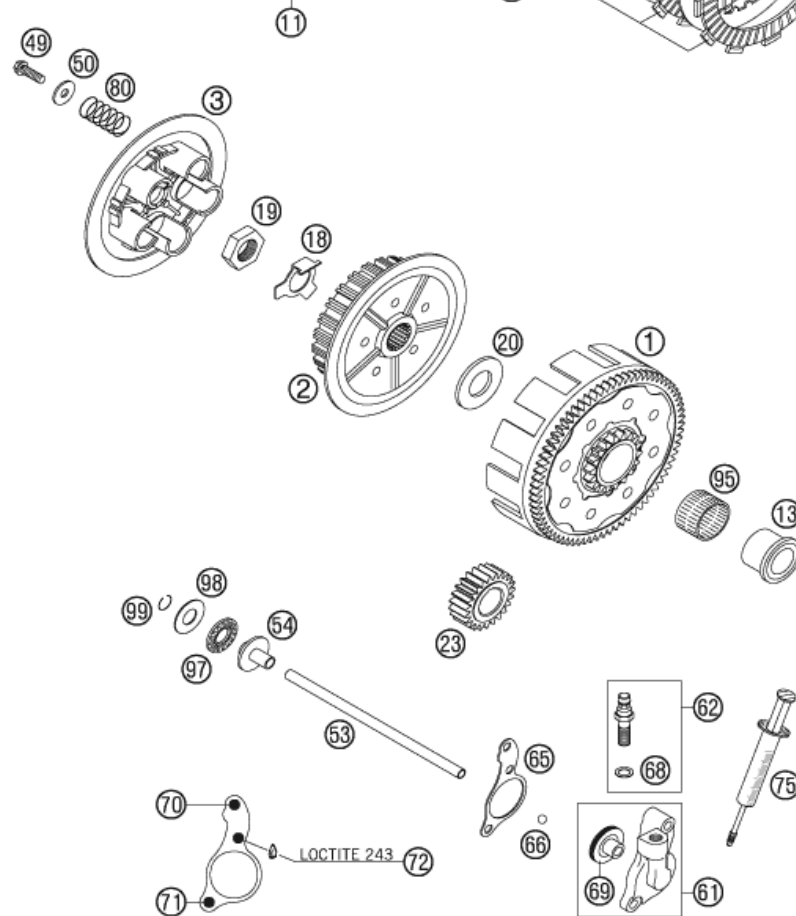
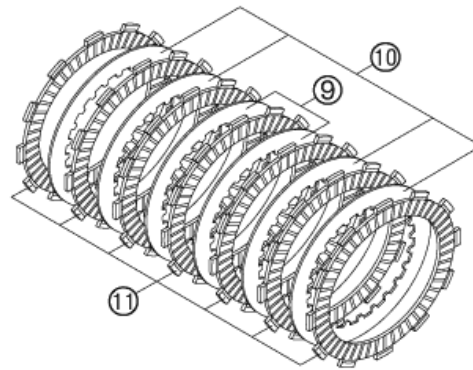
C05503320

* NEW PART

X ON DEMAND

ACHTUNG !!!
 Bei Bestellung von 1 Stk. 50332011000 bzw. 50332011100 werden 7 Stk. 77032011000 ausgeliefert, da die Belaglamellen nicht untereinander getauscht werden dürfen!

CAUTION !!!
 When ordering 1 piece of 50332011000 or 50332011100, 7 pieces of 77032011000 will be delivered because the lining disc must not be changed among themselves!

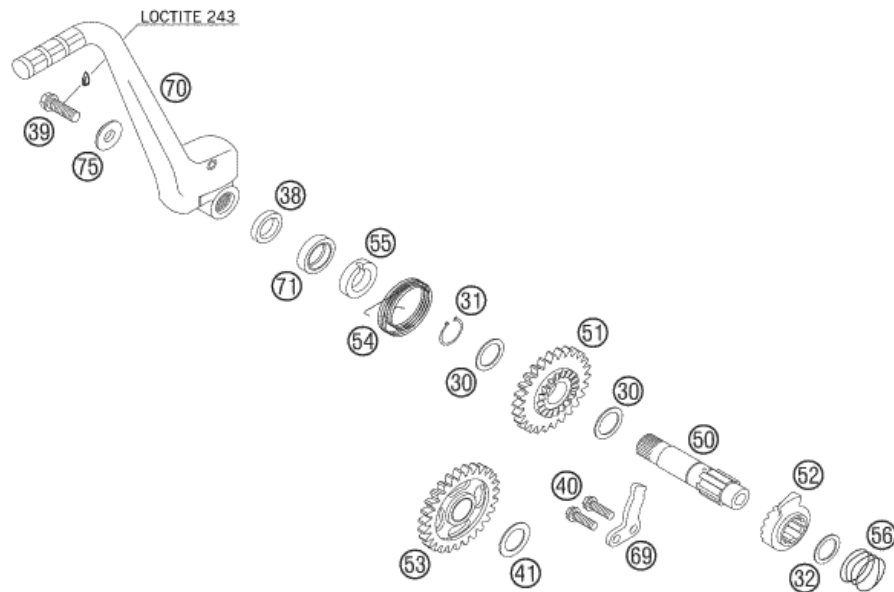


POS	PARTNUMBER	PARTNAME	PIECE
98	54637098300	AXIAL WASHER 12,5X25,8X1,5	X
99	0993012000	CIRCLIP DIN7993-RW12	1

05503320

C05503320

* NEW PART X ON DEMAND



POS	PARTNUMBER	PARTNAME	PIECE
30	50333030000	STOP DISK 17,2X24X1	2
31	0471170010	CIRCLIP DIN0471-17X1	1
32	0988162210	THRUST WASHER DIN0988-16X22X1	1
38	50333038100	SPACER BUSHING 16X23X26X6,1	1
39	0015080203	HH COLLAR SCREW M 8X20 WS=10	1
40	0015060163	HH COLLAR SCREW M 6X16 WS=8	2
41	50333041000	STOP DISC 17,2X26X1 B	1
50	50333050000	KICKSTARTER SHAFT 125/200'98	1
51	50333051026	KICKSTART.GEAR 26-T 125/200'98	1
52	50333052000	KICKSTARTER RATCHET	1
53	50333053127	INTERMEDIATE GEAR 27-T 04	1
54	50333054000	KICKSTARTER SPRING 2,6MM '98	1
55	50333055000	DRIVING HUB 125/200'98	1
56	50333056000	SPRING 1,4MM '98	1
69	50333069000	STOP MET.SHEET 4MM 125/200'98	1
70	50333070044	% KICKSTARTER CPL. 125/200'98	1
71	0760172870	SHAFT SEAL RING 17X28X7 B	1
75	50333075000	WASHER 8,2X22X4,5 '98	1

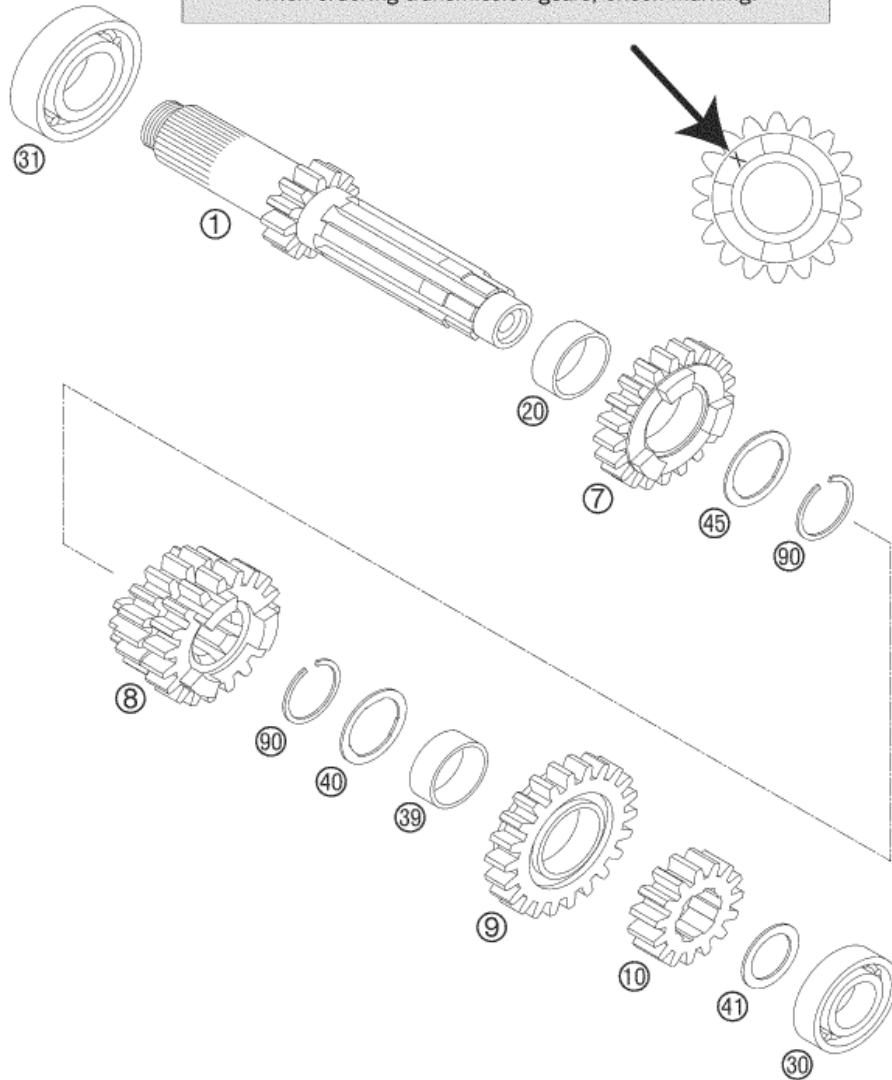
05503330

C05503330

* NEW PART

X ON DEMAND

ACHTUNG !!!
 Bei Bestellung von Getrieberädern, Markierung beachten.
CAUTION !!!
 When ordering transmission gears, check marking.



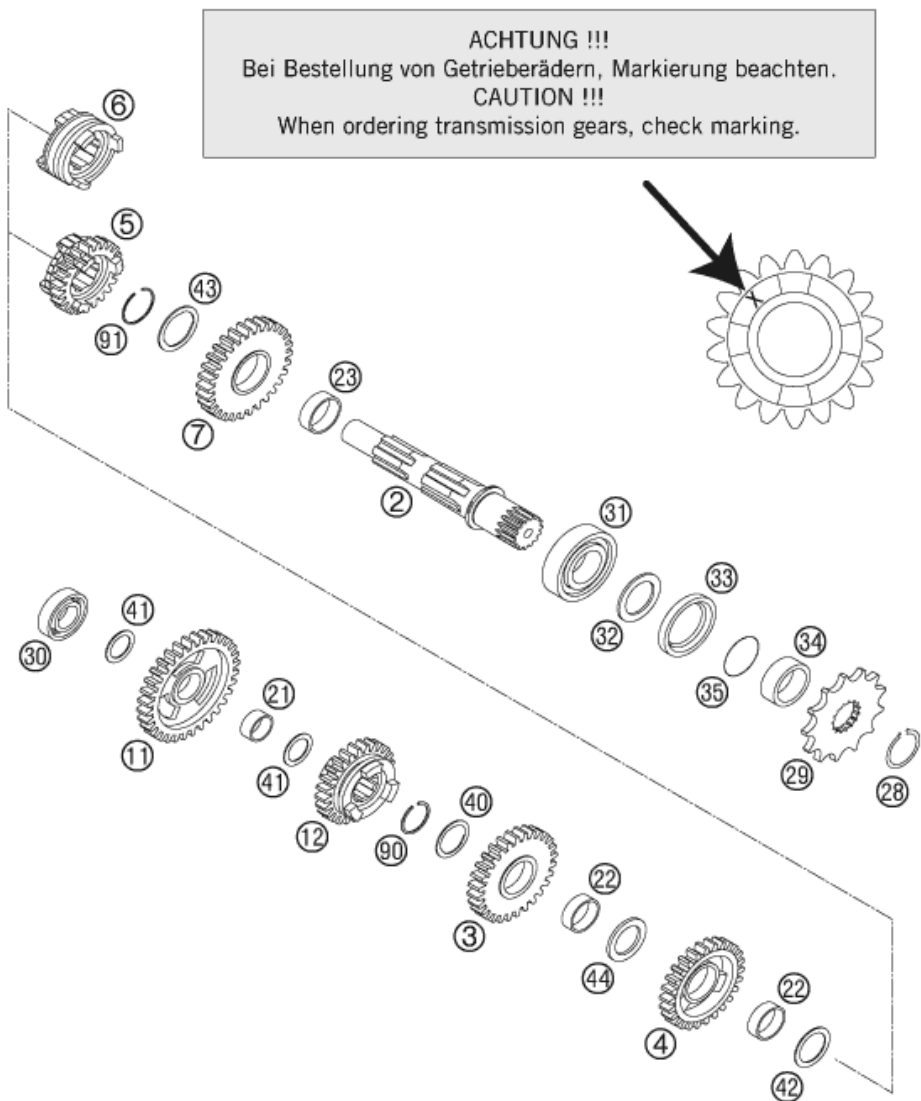
POS	PARTNUMBER	PARTNAME	PIECE
1	50333001044	MAIN SHAFT CPL. 13-T '98	1
7	50333007000	IDLER G.5TH G.21-T "5S21" '98	1
8*	50333008100	SLIDING GEAR 3/4.G. 17/19-T 04 "3S17H" - "4S19H"	1
9	50333009000	IDLER G.6TH G.22-T "6S22" '98 ONLY FOR 200	1
10	50333010100	SOLID GEAR 2ND G.15-T"2S15" 03	1
20	50333020000	IDLER GEAR BUSH. 22X25X11,1 A	1
30	0625160030	%GROOVED BALL BEARING 16003 C3	1
31	0625060042	BALL BEARING 6004 TN9 C4	1
39	50333020000	IDLER GEAR BUSH. 22X25X11,1 A ONLY FOR 200	1
40	50333040000	STOP DISC 22,2X27,8X1 A ONLY FOR 200	1
41	50333041000	STOP DISC 17,2X26X1 B	1
45	50333045000	STOP DISK 22,2X27,8X1	1
90	50133090000	LOCK RING 22X1,2	2

05503331

C05503331

* NEW PART

X ON DEMAND



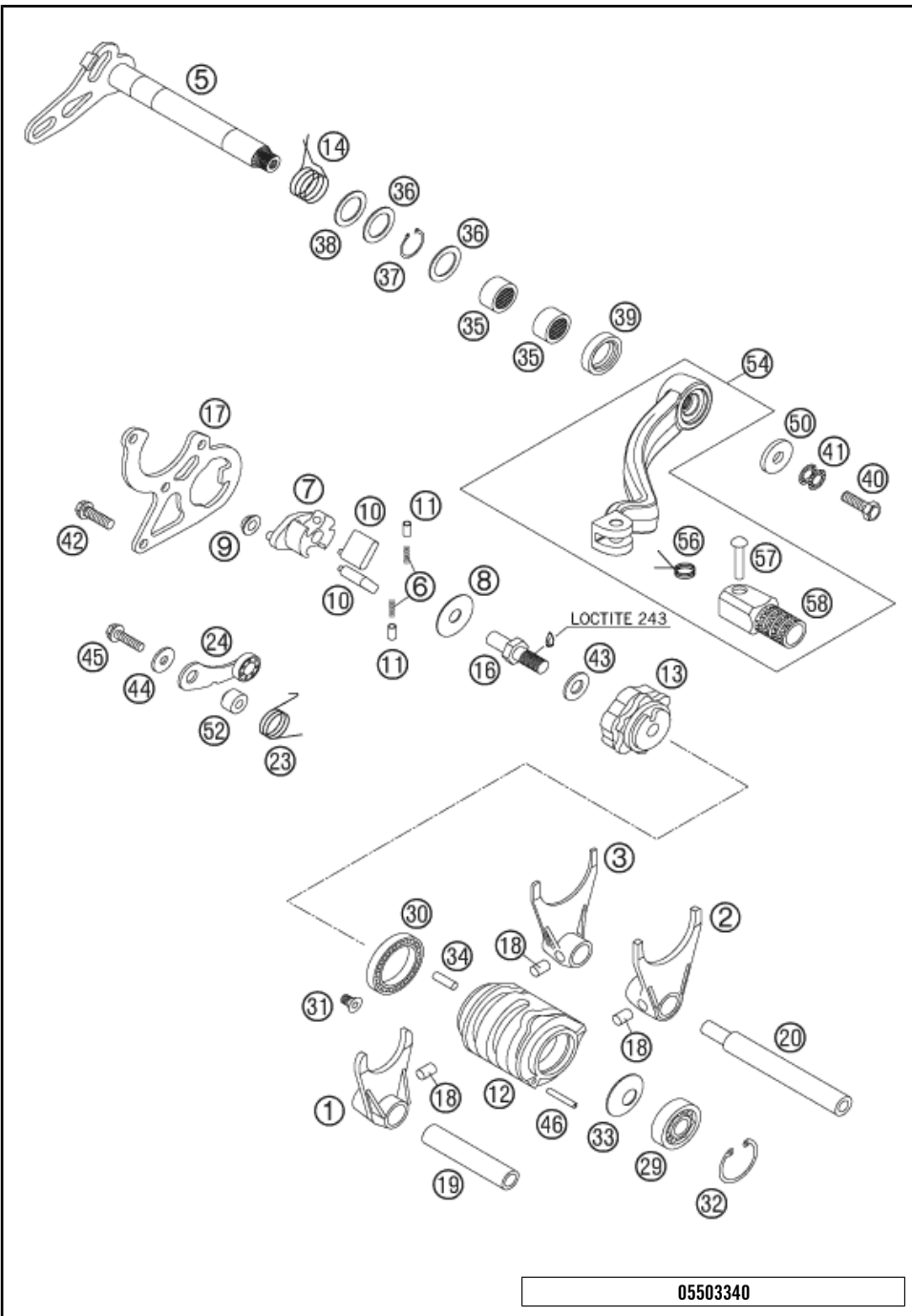
05503333

POS	PARTNUMBER	PARTNAME	PIECE
2	50333002000	COUNTER SHAFT 125/200 '98	1
3*	50333003100	IDLE G.3RD G.28-T "3S28H" 04	1
4	50333004000	IDLE G.4TH G.26-T "4S26" '98	1
5	50333005200	SLIDING G.6TH G.23-T "6S23"'98 200	1
6	50333005400	SLIDING GEAR 6TH GEAR SX 2003 125	1
7	50333006000	IDLER G. 2ND G. 30-T "2S30"'98	1
11	50333011000	%IDLER G.1ST G. 32-T "1S32"'98	1
12	50333012000	SLIDING G.5TH G.25-T "5S25"'98	1
21	50333021000	IDLER GEAR BUSHING 17X20X9,7 B	1
22	50333022000	IDLER GEAR BUSHING 22X25X8,1 C	2
23	50333023000	IDLER GEAR BUSHING 25X28X9,7 D	1
28	52033096000	LOCK RING DIN0471-25X1,64SD	1
29	50033029013	FRONT SPROCKET 13-T	1
29	50033029014	FRONT SPROCKET 14-T	1
29	50033029015	FRONT SPROCKET 15-T	x
30	0625060031	BALL BEARING 6003 TN9 C4	1
31	0625062058	BALL BEARING 6205 TN9 C3	1
32	56033020000	STOP RING	1
33*	0760324571	SHAFT SEAL RING 32X45X7 BSLNBR	1
34	54633014100	SPACER BUSHING 12MM	1
35	0770230020	O-RING 23,00X2,00 NBR70	1
40	50333040000	STOP DISC 22,2X27,8X1 A	1
41	50333041000	STOP DISC 17,2X26X1 B	2
42	50333042000	STOP DISK 22,2X28X1 C	1
43	50333043000	STOP DISC 25,2X32X1	1
44	50333044000	STOP DISC 22,2X30X2,5	1
90	50133090000	LOCK RING 22X1,2	1
91	52033090100	% LOCK RING 25X1,2	1

C05503333

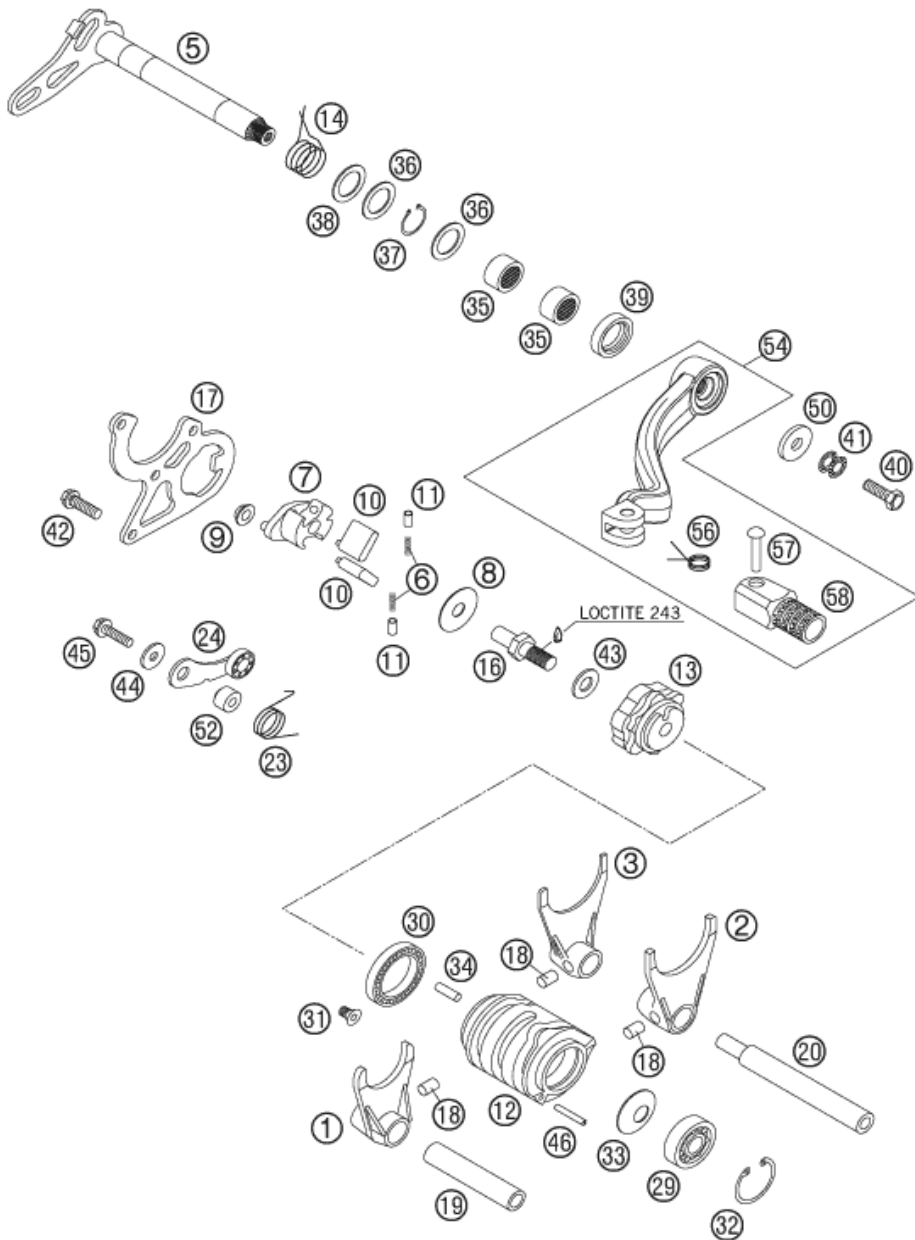
* NEW PART

X ON DEMAND



POS	PARTNUMBER	PARTNAME	PIECE
1	50334001100	%SHIFTING FORK 5TH/6TH GEAR 03	1
2	50334002100	%SHIFTING FORK 2ND/4TH GEAR 03	1
3	50334003100	%SHIFTING FORK 1ST/3RD GEAR 03	1
5	50334005000	% SHIFTING SHAFT 125/200'98	1
6	50334007052	SPRING FOR RATCHET 0,5X11,5	2
7	50334007000	RATCHET SUPPORT 125/200'98	1
8	50334007054	STOP DISK 8,2X26X0,7	1
9	50334007053	BUSHING 6X8X12X4,5	1
10	50334007050	%SHIFTING RATCHET 125/200'98	2
11	50334007051	PRESSURE END PAD 4,1X5,6X8,4	2
12	50334012200	SHIFTING DRUM ALU 125/200 03	1
13	50334013000	LOCATING DRUM 125/200'98	1
14	50334014000	RETURN SPRING 3MM	1
16	50334016000	SPECIAL SCREW M8X21,5 WS=12	1
17	50334017000	SHIFTING GATE 3MM 125/200'98	1
18	0402061000	NEEDLE ROLLER ZRB 6X10	3
19	50334019000	SHIFTING ROD DRIVE 11,8X67,5	1
20	50334020000	SHIFT. ROD DRIVE END 11,8X94,5	1
23	50334023000	LOCATING LEVER SPRING 2,5MM'98	1
24	50334024044	%LOCATING LEVER CPL.125/200'98	1
29	0625060006	BALL BEARING 6000 RS1 C3	1
30	0625618050	BALL BEARING 61805 C3	1
31	0991050102	FLAT H.SCEW DIN7991-M5X10 10.9	1
32	0472260120	LOCK RING DIN0472-26X1,2	1
33	0093251209	SPRING WASHER 12,2X25X0,9	1
34	0402040980	NEEDLE ROL.DIN5402 NRB 4X9,8	1
35	54632095000	NEEDLE BEAR.HK 1412 14X20X12	2
36	49033031000	STOP DISK 14,3X20X1	2
37	0471140100	LOCK WASHER DIN0471-14X1	1
38	49033031015	STOP DISK 14,2X22X1,5	1
39	0760142460	SHAFT SEAL RING 14X24X6 B	1
40	0933060165	% HH SCREW DIN0933-M 6X16 10.9	1
41	50233041000	PAIR OF WASHERS M 6 NORDLOCK	1
42	0015060163	HH COLLAR SCREW M 6X16 WS=8	3
43	0125080003	WASHER DIN0125-A 8 4	1
44	0349000050	WASHER DIN7349-5X15X2	1
45	0015050203	HH COLLAR SCREW M 5X20 WS=8	1
46	0481030220	TENSION PIN DIN1481 3X22	1

* NEW PART X ON DEMAND

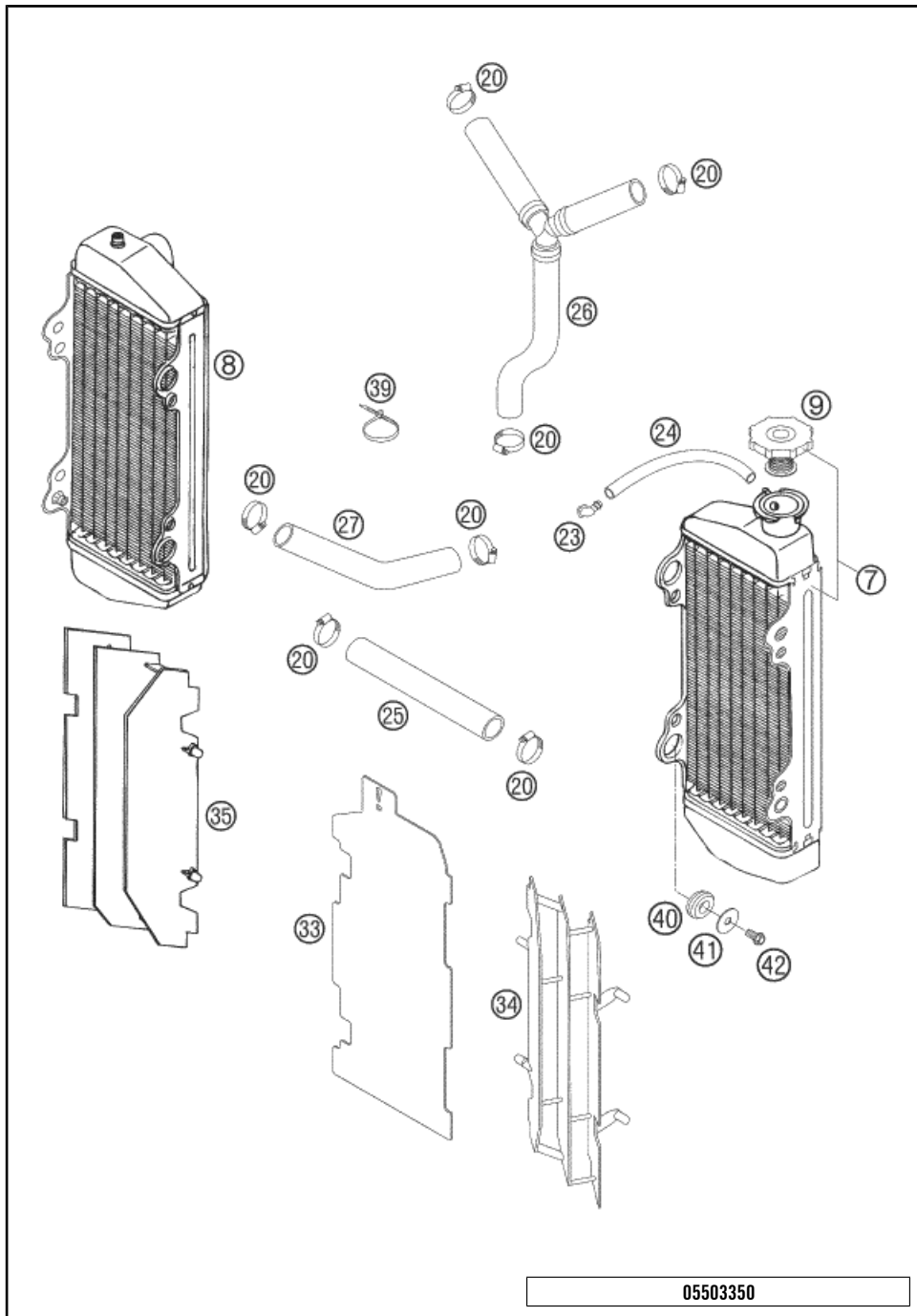


POS	PARTNUMBER	PARTNAME	PIECE
		ONLY FOR 125 SX	
50	50232050001	STEEL WASHER 6,4X17X3	1
52	54634052300	SLEEVE FOR LOCKING LEVER	1
54	54734031000	SHIFT LEVER CPL. 2-STROKE 2001	1
56	54634032100	SHIFTING LEVER SPRING 250	1
57	54634031050	BOLT 6X25 FOR SHIFT LEVER	1
58	54634131000	STEP PLATE FOR SHIFT LEVER 250	1

05503340

C05503340

* NEW PART X ON DEMAND



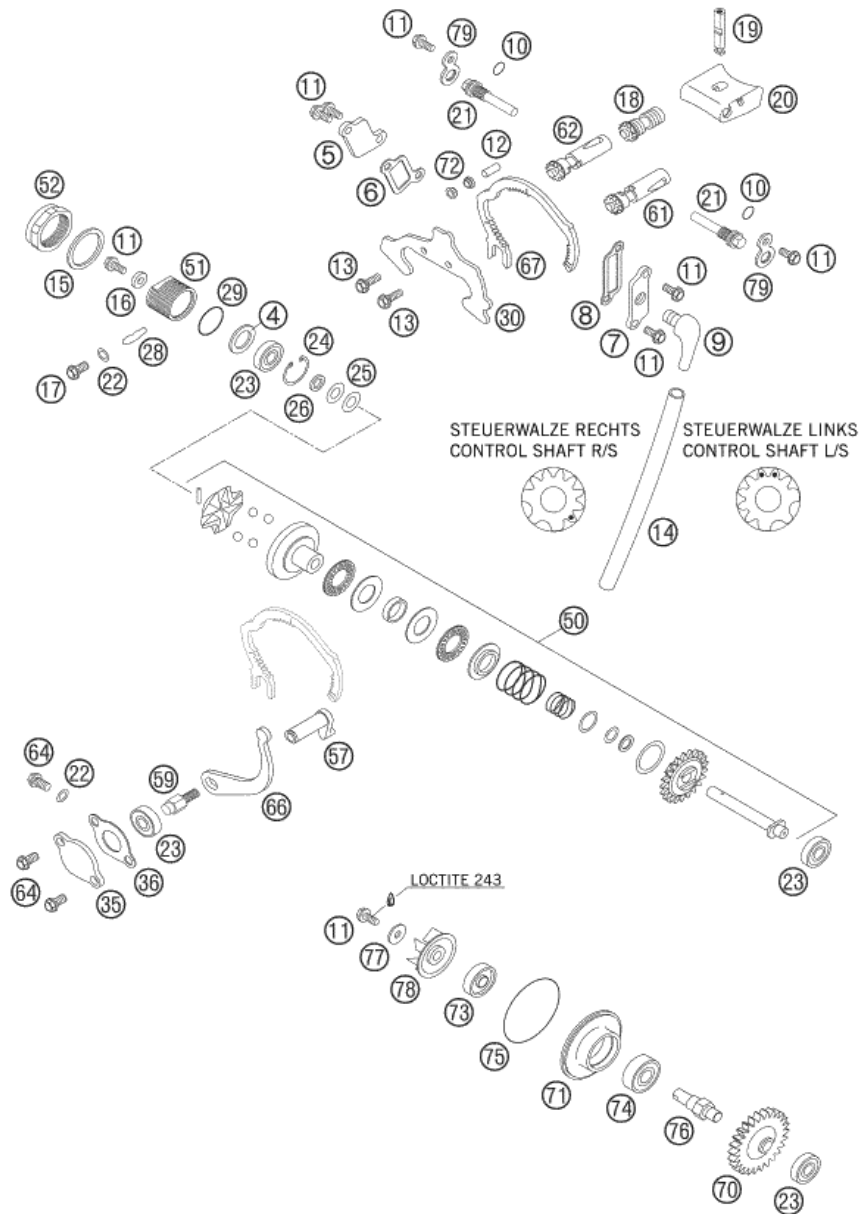
POS	PARTNUMBER	PARTNAME	PIECE
7	50335007000	%RADIATOR L/S NATURE (45286)98	1
8	50335008000	%RADIATOR R/S NATURE (45285)98	1
9	59035009000	RADIAT.CAP 20,3PSI (1,4BAR) 03	1
20	10001020000	HOSE CLAMP GEMI 18-29	7
23	50303089000	ANGLE PIECE '97	1
24	31007107001	% PVC-HOSE 6X9 MM PER METER	0
25	56535025001	RADIATOR HOSE 18X25 PER METRE	0
26	50335026200	RADIATOR HOSE INCL. Y-PART 03	1
27	50335027000	RADIATOR HOSE 18X25 125/200'98	1
33	50335033000	COVER FOR RADIATOR L/S BLACK FOR WINTER OPERATION	x
34	54635034200	RADIATOR PROTECTION LEFT '95	1
34*	5463503420004	RADIATOR PROTECTION LEFT	x
35	54635134200	RADIATOR PROTECT.RIGHT '95	1
35*	5463513420004	RADIATOR PROTECTOR RIGHT	x
39	44011076200	CABLE TIE 200/3,6MM BLACK	x
40	41001052000	RUBBER SLEEVE D=12MM	4
41	0021060003	WASHER DIN9021-A 6,4	4
42	0015060123	HH COLLAR SCREW M 6X12 WS=8	4

05503350

C05503350

* NEW PART

X ON DEMAND



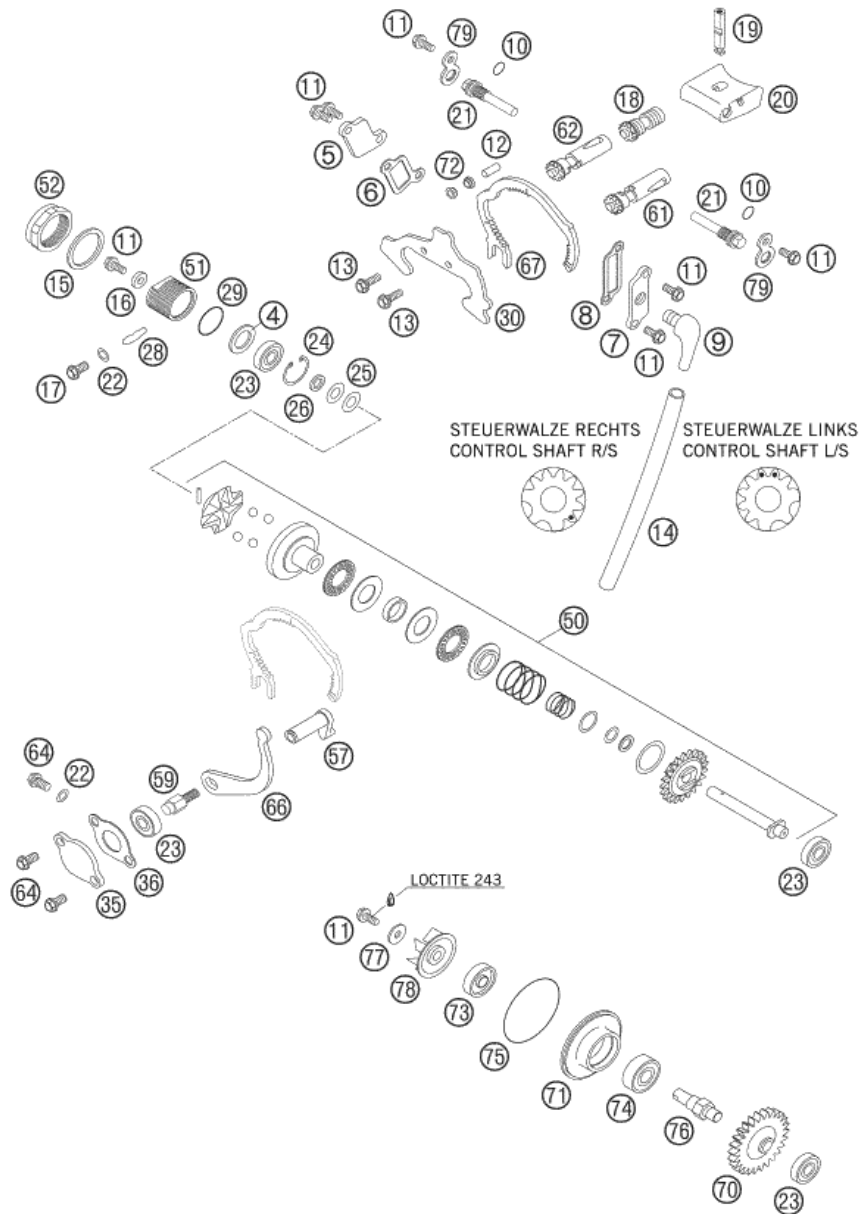
POS	PARTNUMBER	PARTNAME	PIECE
4	49033031015	STOP DISK 14,2X22X1,5	1
5	50337005000	SIDE COVER R/S '98	1
6	50337006000	GASKET SIDE COVER R/S	1
7	50337007100	SIDE COVER LEFT M10 2002	1
8	50337008000	GASKET SIDE COVER L/S	1
9	50330022000	% ANGLE PIEC 90 DEGREE M10X1	1
10	0770008020	O-RING 8,00X2,00 NBR	2
11	0015050123	HH COLLAR SCREW M 5X12 WS=8	8
12	0402051600	NEEDLE ROL. DIN5402 NRB 5X15,8	3
13	0015050163	HH COLLAR SCREW M 5X16 WS=8	2
14	50332095101	% TUBE VINNYLAN 6X9 DVOH	0
15	0603262322	CU-SEAL RING DIN7603-26X32X2	1
16	50337050064	WASHER 5,2 X 12 X 3	1
17	0015060103	% HH COLLAR SCREW M 6X10 WS=8	1
18	50337018044	ECCENTRIC FOR CRANKBOLT 125'98	1
18	52337018044	ECCENTRIC FOR CRANKBOLT 200'98	1
19	50337019000	CRANK BOLT F.CONTROL FL.125'98	1
19	52337019000	CRANK BOLT F.CONTROL FL.200'98	1
20	50337020144	% CONTROL FLAP 125 2002	1
20	52337020000	CONTROL FLAP 200 '98	1
21	51237021000	AXLE FOR CONTRIL FLAP 01	2
22	0603061001	CU-SEAL RING DIN7603-6X10X1	2
23	0625006087	GROOVED BALL BEAR. 608 2RS C3	4
24	0472022100	CIRCLIP DIN0472-22X1	1
25	0093821606	WASHER DIN2093-8,2X16X0,6	2
26	50337050063	SPACER BUSHING 8X12X2,3	1
28	00099300011	O-RINGSTRING 4MM NBR 70 PER/M	0
29	0770160030	O-RING 16,00X3,00 NBR 70	1
30	50337030000	SHEET METAL GUIDE 3MM 125'98	1
30	52337030000	SHEET METAL GUIDE 3MM 200'98	1
35	50337035000	CLOSING COVER '98	1
36	50337035050	CLOSING COVER GASKET 1MM	1
50	50337050044	CENTRIFUGAL TIMER CPL. 125'98 125	1
50	52337050044	CENTRIFUGAL TIMER CPL. 200'98 200 EXC	1
50	52337050144	CENTRIFUGAL TIMER CPL.200SX 03 200 SM	1
51	50337050062	BUSHING HOLDER M 26X1 '98	1

05503370

C05503370

* NEW PART

X ON DEMAND



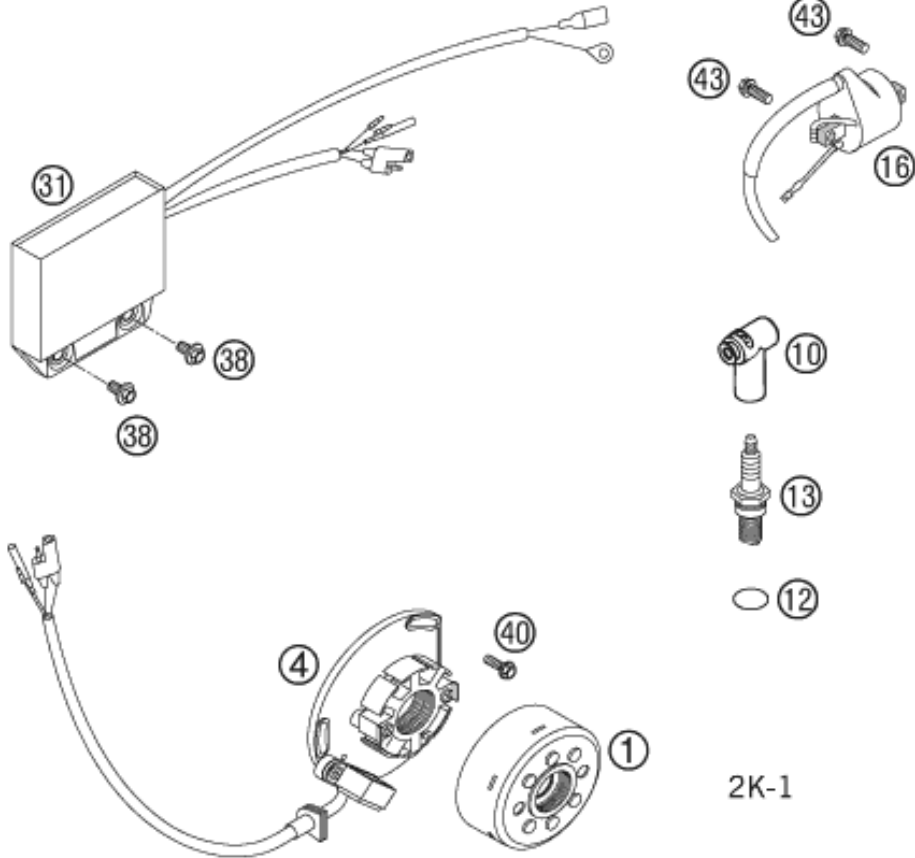
POS	PARTNUMBER	PARTNAME	PIECE
52	50337050061	CLOSING NUT M 26X1 WS=30	1
57	50337057000	CONTROL LEVER 125/200'98	1
59	50337059000	CONTROL SHAFT M 6 WS=10 '98	1
61	50337061144	CONTROL SHAFT CPL.L/S 125 2001	1
61	52337061144	CONTROL SHAFT CPL.L/S 200 2001	1
62	50337062144	CONTROL SHAFT CPL.R/S 125 2001	1
62	52337062144	CONTROL SHAFT CPL.R/S 200 2001	1
64	0015060123	HH COLLAR SCREW M 6X12 WS=8	3
66	50337066000	LEVER F. CONTROL SEGMENT '98	1
67	50337067000	CONTROL SHAFT SEGMENT 125'98	1
67	52337067000	CONTROL SHAFT SEGMENT 200'98	1
70	50335054026	DRIVE WHEEL 26-T 125/200'98	1
71	50335056000	BUSHING SUPPORT WATER PUMP '98	1
72	50337072000	ROLLER GUIDE 5X6,1X8X4 '98	6
73	0760082472	SHAFT SEAL RING 8X24X7 A DUO	1
74	0625060001	BALL BEARING 6000/C3	1
75	0770049025	O-RING 49,00X2,50 NBR	1
76	50335054050	% WATER PUMP SHAFT 125/200'98	1
77	0349000050	WASHER DIN7349-5X15X2	1
78	54635005000	WATER PUMP WHEEL	1
79	50337079000	LOCK METAL SHEET 2MM '98	2

05503370

C05503370

* NEW PART

X ON DEMAND



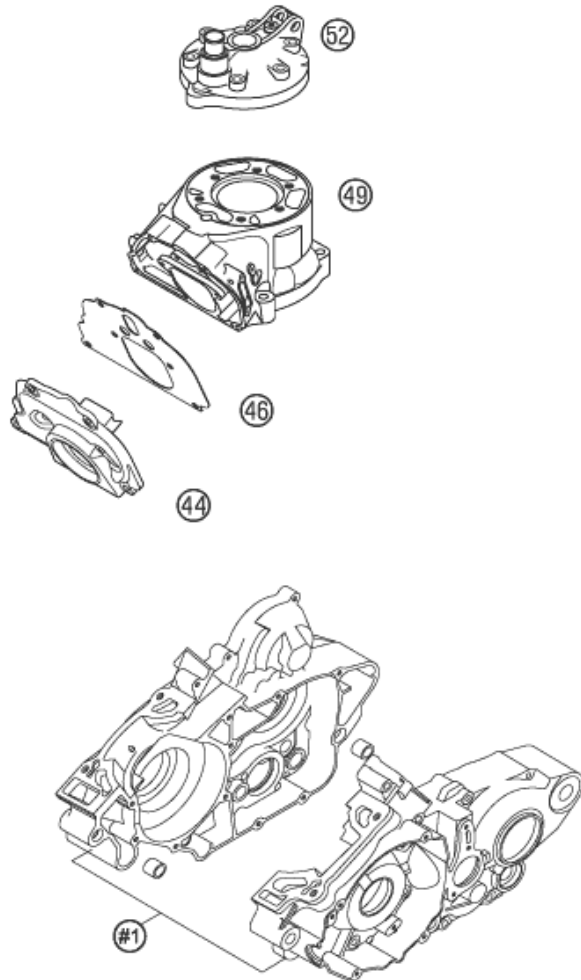
POS	PARTNUMBER	PARTNAME	PIECE
1	54739005000	FLYWHEEL KOKUSAN 2K-1/2K-4 '97	1
4	50339004000	STATOR KOKUSAN 2K-1 '98	1
10*	47039090000	SPARK PLUG CAP NGK REINFORC.04	1
12	0770150040	O-RING 15,00X4,00 NBR 70	1
13	50339093100	% SPARK PLUG NGK BR 9EVX	1
16	50339006000	% IGNI.COIL KOKU. IG5127	1
31	50339031400	* USE NEW CDI+ACCESSORIES	1
38	0014060103	% HH COLLAR SCREW M 6X10 WS=8	2
40	0015050163	HH COLLAR SCREW M 5X16 WS=8	3
43	0015060163	HH COLLAR SCREW M 6X16 WS=8	2

05503390

C05503390

* NEW PART

X ON DEMAND



#1
 + LAGER
 BEARINGS
 2x 0625 006087,
 1x 0625 060030, 0625 160031,
 0625 060042, 0625 062058,
 0625 618050

①

POS	PARTNUMBER	PARTNAME	PIECE
1*	52330000644	% ENGINE CASE CPL M.TRAN.B 06	1
44*	50337001200	INTERMEDIATE FLANGE 125 06	1
46*	50337046200	% INTERMED. GASKET 125 06	1
49*	50330005400	% CYLINDER 125 06	1
52*	SXS05125003	CYLINDER HEAD 125 SXS 05	1

05503480

C05503480

* NEW PART

X ON DEMAND

WWW.KTM.COM



KTM-Sportmotorcycle AG
5230 Mattighofen, Austria
www.ktm.com



KTM_POWERPARTS

KTM_POWERWEAR

KTM_ORIGINAL SPARE PARTS



3CM081519EN

Art. Nr.: 3CM081519EN 26. Aug 2014