

TECHNICAL DATA		
ENGINE	125 SXS	250 SXS
Design	Liquid-cooled, single-cylinder, two-stroke engine with intake and exhaust control	
Piston displacement	124.8 ccm	249 ccm
Bore / stroke	54 / 54.5 mm	66.4 / 72 mm
Fuel	unleaded fuel with at least RON 98, mixed with high grade two stroke oil	
Oil / gasoline ratio	1:40 when using high grade, two-stroke oil (Motorex Cross Power 2T). When in doubt, please contact your importer	1:60 when using high grade, two-stroke oil (Motorex Cross Power 2T). When in doubt, please contact your importer
Crankshaft bearing	1 deep-groove ball bearing / 1 cylinder roller bearing	
Connecting rod bearing	needle bearing	
Piston pin bearing	needle bearing	
Piston	cast piston	
Piston ring	1 plain compression ring	2 plain compression rings
Dimension „X“ <small>(upper edge piston- upper edge cylinder)</small>	0.0 mm	0 + 0.1 mm
Ignition timing	1.4 mm (16.5°) BTDC	1.9 mm BTDC
Spark plug	NGK R6385-105P	NGK BR 8 ECM
Dimension „Z“ <small>(height of the control flap)</small>	43,5 mm	47.5 mm
Primary drive	straight cut spur gears, primary ratio 23 : 73	straight cut spur gears, primary ratio 26 : 72
Clutch	multiple disc clutch in oil bath, hydraulically operated (Motorex clutch-fluid 75)	multiple disc clutch in oil bath, hydraulically operated (DOT 5.1)
Transmission	6 speed, claw actuate	5 speed, claw actuate
1 st gear	13 : 32 „1S32“	„1S14“ 14 : 28 „1S28“
2 nd gear	„2S15“ 15 : 30 „2S30“	„2S15“ 15 : 24 „2S24“
3 rd gear	„3S17H“ 17 : 28 „3S28H“	„3S18“ 18 : 24 „3S24“
4 th gear	„4S20H“ 20 : 28 „4S28“	„4S21“ 21 : 24 „4S24“
5 th gear	„5S19H“ 19 : 23 „5S23H“	„5S22“ 22 : 21 „5S21“
6 th gear	„6S22H“ 22 : 24 „6S24H“	
Gear lubrication	0,7 Liter Motorex Top Speed 4T 15W50	
Available chain sprockets	13t / 14t for chain 5/8 x 1/4"	
Coolant	1.2 litres, 50% anti freeze, 50% distilled water, at least -25 °C (-13 °F)	
Ignition system	KOKUSAN 2K-1	KOKUSAN 2K-2
Generator output	-	
Air-filter	wet foam type air filter insert	

STANDARD ADJUSTMENT FORK	
125 SXS	WP 4860 MXMA 14187B14
Compression adjuster	22
Rebound adjuster	24
Spring	4.2 N/mm
Spring preload	5 mm
Fork oil	SAE 5

STANDARD ADJUSTMENT FORK	
250 SXS	WP 4860 MXMA 14187B15
Compression adjuster	22
Rebound adjuster	24
Spring	4.4 N/mm
Spring preload	5 mm
Fork oil	SAE 5

STANDARD ADJUSTMENT SHOCK ABSORBER	
125 SXS	WP 5018 PDS 12187B10
Compression adjuster	12 (low speed) 2 (high speed)
Rebound adjuster	25
Spring	80-250
Spring preload	5 mm

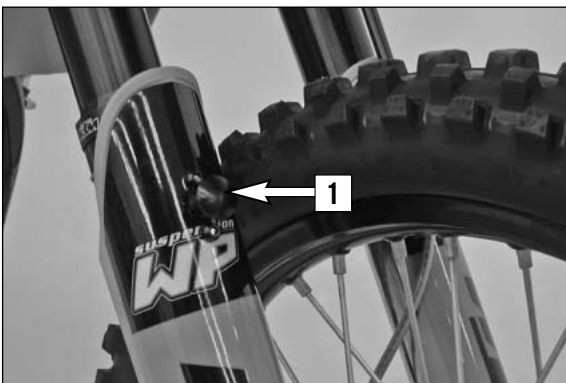
STANDARD ADJUSTMENT SHOCK ABSORBER	
250 SXS	WP 5018 PDS 12187B11
Compression adjuster	12 (low speed) 2 (high speed)
Rebound adjuster	25
Spring	84-250
Spring preload	5 mm

BASIC CARBURATOR SETTING		
	125 SXS	250 SXS
Type	Keihin PWK 39	Keihin PWK 36S AG
Carburator-setting number	98SA1	FK0100
Main jet	188 (185 / 190)	158 (155 / 160)
Idling jet	45 (48)	42 (40)
Starting jet	85	85
Jet needle	R1469D (R1468D)	N1EF (N1EG / N1EE)
Needle position from top	II	III
Slide	5.5	6.5
Mixture control screw open	1,5	1
Performance restrictor	-	-



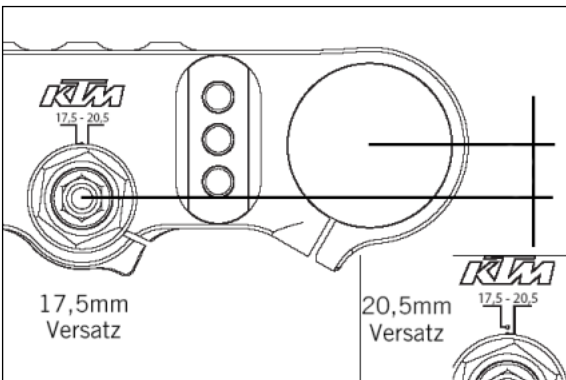
Progressive Handlebar Damping System (PHDS)

see „Information Hard Equipment“ (included)



Factory Start

Sitting on the motorcycle, lean forward over the handlebar, reach for the rim and compress the fork, press the latch button [1] and slowly rebound until the latch button engages in the latch ring. Let go of the latch button. The latch button will automatically be released from the latch ring when you compress for the first time while driving.



Changing the fork offset (caster) *

see „Information Hard Equipment“ (included)