

# 250 SXS 2007

**SPARE PARTS MANUAL: CHASSIS**

**ART.NO.: 3CF6300G1EN**

**ENGLISH**





**WP SHIMS FOR SETTING**

① 5 mm  
 ② 6 mm  
 ③ 8 mm  
 ④ 10 mm  
 ⑤ 12 mm  
 ⑥ 14-14,5 mm  
 ⑦ 15 mm  
 ⑧ 16 mm  
 ⑨ 21 mm  
 ⑩ 24,5 mm  
 ⑪ 28,5 mm  
 ⑫ 32 mm  
 ⑬ 36 mm  
 ⑭ 47 mm  
 ⑮ 52 mm

3H, DELTA, T

**3**

**FRONT FORK**

**9**

**FRONT FORK**

**11**

**HANDLEBAR, CONTROLS**

**12**

**FRAME, SUB FRAME**

**13**

**MONOSHOCK**

L = 405 MM

**14**

**SWINGARM**

**15**

**MONOSHOCK DISASSEMBLED**

**16**

**EXHAUST PIPE**

**18**

**EXHAUST SILENCER**

**19**

**AIR FILTER BOX**

**20**

**TANK, SEAT, COVER**

**21**

**MASK, FENDERS**

**22**

**DECAL**

**23**

**FRONT WHEEL**

**24**

**REAR WHEEL**

**25**

**BRAKE CALIPER FRONT**

**26**

**HAND BRAKE CYLINDER**

**27**

**REAR BRAKE CONTROL**

**28**

**BRAKE CALIPER REAR**

**29**

**ACCESSORIES**

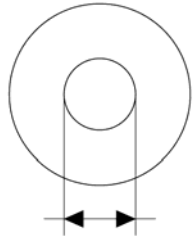
**30**

**!**

All information contained is without obligation. KTM-Sportmotorcycle AG particularly reserves the right to modify any equipment, technical specifications, prices, colors, shapes, materials, services, service work, constructions, equipment and the like so as to adapt them to local conditions or to cancel any of the above items, all without previous announcement and without giving reasons. KTM may stop manufacturing certain models without previous notice. KTM shall not be held liable for any deviations of availability and/or ability to deliver, illustrations, descriptions, printing and/or other errors. The illustrated models partly contain extra equipment, which is not applied to standard models. © by KTM-SPORTMOTORCYCLE AG, Mattighofen AUSTRIA; All rights reserved; Reprint, also in extracts, with written allowance of KTM-SPORTMOTORCYCLE AG, Mattighofen only.

# WP SHIMS FOR SETTING

250 SXS 2007



- ⑤ Ø 5 mm
- ⑥ Ø 6 mm
- ⑧ Ø 8 mm
- ⑩ Ø 10 mm
- ⑫ Ø 12 mm
- ⑭ Ø 14-14,5 mm
- ⑮ Ø 15 mm
- ⑰ Ø 16 mm
- ⑳ Ø 21 mm
- ㉔ Ø 24,5 mm
- ㉘ Ø 28,5 mm
- ㉚ Ø 32 mm
- ㉜ Ø 36 mm
- ㉞ Ø 47 mm
- ㉟ Ø 52 mm

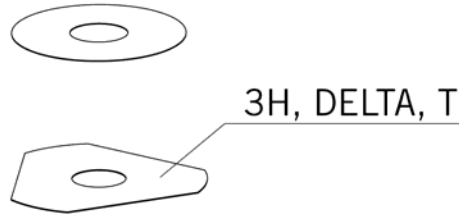


FIG	PART NUMBER	DESCRIPTION	QTY
5	44906890	WASHER 5X15X2	X
6	40540400	SHIM 6X12X0,1	X
6	40540401	SHIM 6X14X0,1	X
6	40540402	SHIM 6X16X0,1	X
6	40540403	SHIM 6X18X0,1	X
6	40540404	SHIM 6X12X0,15	X
6	40540405	SHIM 6X14X0,15	X
6	40540406	SHIM 6X16X0,15	X
6	40540407	SHIM 6X18X0,15	X
6	40540408	SHIM 6X12X0,2	X
6	40540409	SHIM 6X14X0,2	X
6	40540494	SHIM 6X18X0,4	X
6	40540774	SHIM 6X18X0,1 DELTA	X
6	40541383	SHIM 6X11X0,1	X
6	40541391	SHIM 6X11X0,3	X
6	40541402	SHIM 6X11X0,2	X
6	40541403	SHIM 6X10X0,20	X
6	40541404	SHIM 6X10X0,1	X
6	40541405	SHIM 6X10X0,15	X
6	40541406	SHIM 6X11X0,15	X
6	40541408	SHIM 6X8,0X0,30	X
6	40541414	SHIM 6X8,0X0,10	X
6	40541416	SHIM 6X8X0,3	X
6	40541417	SHIM 6X11X0,25	X
6	48600063	SHIM 6X24X0,1	X
6	48600064	SHIM 6X22X0,1	X
6	48600065	SHIM 6X20X0,1	X
6	48600069	SHIM 6X20X0,15	X
6	48600100	SHIM 6X24X0,15	X
6	48600116	SHIM 6X24X0,1 DELTA	X
6	48600139	SHIM 6X22X0,1 DELTA	X
6	48600217	BACKPLATE 6X10X0,25	X
6	48600325	SHIM 6X13X0,1	X
6	48600327	SHIM 6X15X0,1	X
6	48600329	SHIM 6X17X0,1	X
6	48600331	SHIM 6X19X0,1	X

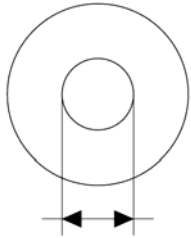
070000190 / C070000190

\* NEW PART

X AS REQUIRED

# WP SHIMS FOR SETTING

250 SXS 2007



- ⑤ Ø 5 mm
- ⑥ Ø 6 mm
- ⑧ Ø 8 mm
- ⑩ Ø 10 mm
- ⑫ Ø 12 mm
- ⑭ Ø 14-14,5 mm
- ⑮ Ø 15 mm
- ⑰ Ø 16 mm
- ⑳ Ø 21 mm
- ㉔ Ø 24,5 mm
- ㉘ Ø 28,5 mm
- ㉚ Ø 32 mm
- ㉜ Ø 36 mm
- ㉞ Ø 47 mm
- ㉟ Ø 52 mm

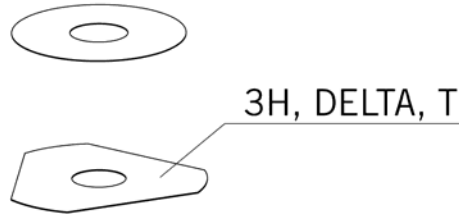


FIG	PART NUMBER	DESCRIPTION	QTY
6	40540410	SHIM 6X16X0,2	X
6	40540411	SHIM 6X18X0,2	X
6	40540412	SHIM 6X12X0,25	X
6	40540413	SHIM 6X14X0,25	X
6	40540414	SHIM 6X16X0,25	X
6	40540415	SHIM 6X18X0,25	X
6	40540417	SHIM 6X8,5X0,10	X
6	40540418	SHIM 6X9X0,10	X
6	40540419	SHIM 6X9,5X0,10	X
6	40540423	SHIM 6X9,5X0,15	X
6	40540425	SHIM 6X8,5X0,20	X
6	40540426	SHIM 6X9X0,20	X
6	40540427	SHIM 6X9,5X0,20	X
6	40540447	SHIM 6X10X0,3	X
6	40540449	SHIM 6X9X0,3	X
6	40540450	SHIM 6X9,5X0,3	X
8	40540477	SHIM 8X18X0,4	X
8	43570120	SHIM 8X18X0,10	X
8	44916098	WASHER 8,4X16X0,8	X
8	44916130	WASHER 8,2X15X1	X
8	44916180	WASHER 8,2X11X1	X
8	48600214	SHIM 8X16X0,1	X
8	48600218	BACKPLATE 8X11X0,40	X
8	48600346	SHIM 8X11X0,2	X
8	7517028	SHIM 8,1X23X0,2	X
8	7517039	SHIM 8,1X22X0,2	X
8	7517044	SHIM 8,1X23X0,3	X
8	7517060	SHIM 8,1X22X0,3	X
8	7522061	SHIM 8X12X1,5	X
10	36120325	SHIM 10X19X0,15	X
10	36120327	SHIM 10X23X0,15	X
10	36120328	SHIM 10X25X0,15	X
10	36120329	SHIM 10X27X0,15	X
10	36120330	SHIM 10X29X0,15	X
10	36120331	SHIM 10X31X0,15	X
10	36120332	SHIM 10X33X0,15	X

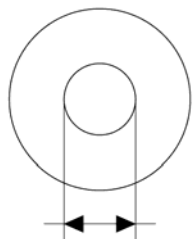
070000190 / C070000190

\* NEW PART

X AS REQUIRED

# WP SHIMS FOR SETTING

250 SXS 2007



- ⑤ Ø 5 mm
- ⑥ Ø 6 mm
- ⑧ Ø 8 mm
- ⑩ Ø 10 mm
- ⑫ Ø 12 mm
- ⑭ Ø 14-14,5 mm
- ⑮ Ø 15 mm
- ⑰ Ø 16 mm
- ⑳ Ø 21 mm
- ㉔ Ø 24,5 mm
- ㉘ Ø 28,5 mm
- ㉚ Ø 32 mm
- ㉜ Ø 36 mm
- ㉞ Ø 47 mm
- ㉟ Ø 52 mm

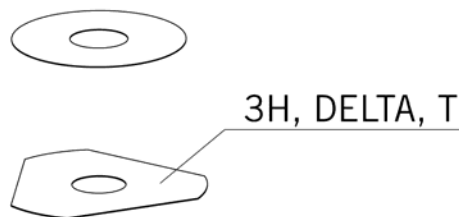
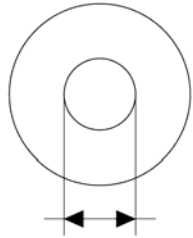


FIG	PART NUMBER	DESCRIPTION	QTY
10	36120284	SHIM 10X16X0,10	X
10	36120298	SHIM 10X16X0,2	X
10	36120312	SHIM 10X16X0,30	X
10	36120314	SHIM 10X18X0,30	X
10	36120334	SHIM 10X21X0,20	X
10	36120335	SHIM 10X23X0,20	X
10	36120336	SHIM 10X25X0,20	X
10	36120337	SHIM 10X27X0,20	X
10	36120338	SHIM 10X29X0,20	X
10	36120339	SHIM 10X31X0,20	X
10	36120340	SHIM 10X33X0,20	X
10	36120342	SHIM 10X21X0,25	X
10	36120343	SHIM 10X23X0,25	X
10	36120344	SHIM 10X25X0,25	X
10	36120345	SHIM 10X27X0,25	X
10	36120349	SHIM 10X19X0,30	X
10	36120350	SHIM 10X21X0,30	X
12	46810490	SHIM 12X24X0,20	X
12	46810491	SHIM 12X26X0,20	X
12	46810492	SHIM 12X28X0,20	X
12	46810493	SHIM 12X30X0,20	X
12	46810494	SHIM 12X32X0,20	X
12	46810495	SHIM 12X34X0,20	X
12	46810496	SHIM 12X36X0,20	X
12	46810497	SHIM 12X38X0,20	X
12	46810498	SHIM 12X40X0,20	X
12	46810499	SHIM 12X24X0,25	X
12	46810500	SHIM 12X26X0,25	X
12	46810501	SHIM 12X28X0,25	X
12	46810502	SHIM 12X30X0,25	X
12	46810504	SHIM 12X34X0,25	X
12	46810505	SHIM 12X36X0,25	X
12	46810507	SHIM 12X40X0,25	X
12	46810508	SHIM 12X24X0,30	X
12	46810509	SHIM 12X26X0,30	X
12	46810510	SHIM 12X28X0,30	X

070000190 / C070000190

\* NEW PART

X AS REQUIRED



- ⑤ Ø 5 mm
- ⑥ Ø 6 mm
- ⑧ Ø 8 mm
- ⑩ Ø 10 mm
- ⑫ Ø 12 mm
- ⑭ Ø 14-14,5 mm
- ⑮ Ø 15 mm
- ⑰ Ø 16 mm
- ⑳ Ø 21 mm
- ㉔ Ø 24,5 mm
- ㉘ Ø 28,5 mm
- ㉚ Ø 32 mm
- ㉜ Ø 36 mm
- ㉞ Ø 47 mm
- ㉟ Ø 52 mm



3H, DELTA, T

FIG	PART NUMBER	DESCRIPTION	QTY
12	46810512	SHIM 12X32X0,30	X
12	46810513	SHIM 12X34X0,30	X
12	46810518	SHIM 12X26X0,15	X
12	46810519	SHIM 12X28X0,15	X
12	46810520	SHIM 12X30X0,15	X
12	46810521	SHIM 12X32X0,15	X
12	46810522	SHIM 12X34X0,15	X
12	46810523	SHIM 12X36X0,15	X
12	46810524	SHIM 12X38X0,15	X
12	46810525	SHIM 12X40X0,15	X
12	46810604	SHIM 12X20X0,10	X
12	46810606	SHIM 12X22X0,10	X
12	46810607	SHIM 12X23X0,10	X
12	46810608	SHIM 12X24X0,10	X
12	46810610	SHIM 12X27X0,15	X
12	46810611	SHIM 12X18X0,15	X
12	46810612	SHIM 12X19X0,15	X
12	46810615	SHIM 12X22X0,15	X
12	46810636	BACKPLATE 12X16X0,30	X
12	46810637	BACKPLATE 12X17X0,30	X
12	46810638	BACKPLATE 12X18X0,30	X
12	46810639	SHIM 12X19X0,30	X
12	46810641	BACKPLATE 12X21X0,30	X
12	46811582	BACKPLATE 12X30X0,10	X
13	44907860	WASHER 13X24X3	X
14	44907010	WASHER 14X26X0,5	X
14	46811046	SHIM 14,5X35,4X1,25	X
14	7522225	WASHER 14X8X1,5	X
15	44906486	WASHER 15X28X0,6	X
16	50180006	BACKPLATE 16X20X0,10	X
16	50180007	SHIM 16X21X0,10	X
16	50180008	SHIM 16X22X0,10	X
16	50180012	SHIM 16X26X0,10	X
16	50180019	SHIM 16X26X0,15	X
16	50180022	SHIM 16X22X0,20	X
16	50180210	WASHER 16X21X1	X

070000190 / C070000190

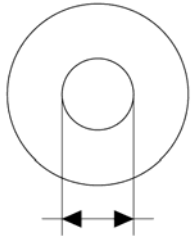
\* NEW PART

X AS REQUIRED



# WP SHIMS FOR SETTING

250 SXS 2007



- ⑤ Ø 5 mm
- ⑥ Ø 6 mm
- ⑧ Ø 8 mm
- ⑩ Ø 10 mm
- ⑫ Ø 12 mm
- ⑭ Ø 14-14,5 mm
- ⑮ Ø 15 mm
- ⑯ Ø 16 mm
- ⑰ Ø 21 mm
- ⑳ Ø 24,5 mm
- ㉑ Ø 28,5 mm
- ㉓ Ø 32 mm
- ㉕ Ø 36 mm
- ㉗ Ø 47 mm
- ㉙ Ø 52 mm



3H, DELTA, T

FIG	PART NUMBER	DESCRIPTION	QTY
16	50180026	SHIM 16X26X0,20	X
16	50180028	SHIM 16X21X0,25	X
16	50180032	SHIM 15X25X0,25	X
16	50180037	SHIM 16X23X0,30	X
16	50180038	SHIM 16X24X0,30	X
16	50180039	SHIM 16X25X0,30	X
16	50180040	SHIM 16X26X0,30	X
16	50180041	SHIM 16X28X0,10	X
16	50180044	SHIM 16X34X0,10	X
16	50180045	SHIM 16X28X0,15	X
16	50180046	SHIM 16X30X0,15	X
16	50180047	SHIM 16X32X0,15	X
16	50180048	SHIM 16X34X0,15	X
16	50180049	SHIM 16X36X0,15	X
16	50180050	SHIM 16X38X0,15	X
16	50180051	SHIM 16X40X0,15	X
16	50180052	SHIM 16X42X0,15	X
16	50180053	SHIM 16X44X0,15	X
16	50180054	SHIM 16X28X0,20	X
16	50180055	SHIM 16X30X0,20	X
16	50180056	SHIM 16X32X0,20	X
16	50180057	SHIM 16X34X0,20	X
16	50180058	SHIM 16X36X0,20	X
16	50180059	SHIM 16X38X0,20	X
16	50180060	SHIM 16X40X0,20	X
16	50180061	SHIM 16X42X0,20	X
16	50180062	SHIM 16X44X0,20	X
16	50180063	SHIM 16X28X0,25	X
16	50180064	SHIM 16X30X0,25	X
16	50180065	SHIM 16X32X0,25	X
16	50180066	SHIM 16X34X0,25	X
16	50180067	SHIM 16X36X0,25	X
16	50180068	SHIM 16X38X0,25	X
16	50180069	SHIM 16X40X0,25	X
16	50180070	SHIM 16X42X0,25	X
16	50180071	SHIM 16X44X0,25	X

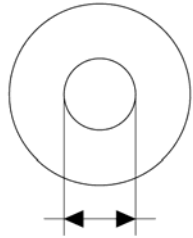
070000190 / C070000190

\* NEW PART

X AS REQUIRED

# WP SHIMS FOR SETTING

250 SXS 2007



- ⑤ Ø 5 mm
- ⑥ Ø 6 mm
- ⑧ Ø 8 mm
- ⑩ Ø 10 mm
- ⑫ Ø 12 mm
- ⑭ Ø 14-14,5 mm
- ⑮ Ø 15 mm
- ⑰ Ø 16 mm
- ⑳ Ø 21 mm
- ㉔ Ø 24,5 mm
- ㉘ Ø 28,5 mm
- ㉚ Ø 32 mm
- ㉜ Ø 36 mm
- ㉞ Ø 47 mm
- ㉟ Ø 52 mm



3H, DELTA, T

FIG	PART NUMBER	DESCRIPTION	QTY
16	50180072	SHIM 16X28X0,30	X
16	50180073	SHIM 16X30X0,30	X
16	50180074	SHIM 16X32X0,30	X
16	50180075	SHIM 16X34X0,30	X
16	50180076	SHIM 16X36X0,30	X
16	50180077	SHIM 16X38X0,30	X
16	50180078	SHIM 16X40X0,30	X
16	50180079	SHIM 16X42X0,30	X
16	50180080	SHIM 16X44X0,30	X
16	50180177	WASHER 16X8,2X0,6	X
21	50180209	WASHER 21X36X0,25	X
24	40541061	WASHER 24,5X34X2	X
28	36120469	SHIM 28,5X14X2	X
28	36120471	SHIM 28,5X14X5	X
32	48600460	WASHER 32X42X2,5	X
32	50600065	SHIM 32X45X2	X
36	7539032AA	WASHER 36X47X3	X
47	7522158	WASHER	X
52	50600002	SHIM 52X59X2,2	X

070000190 / C070000190

\* NEW PART

X AS REQUIRED

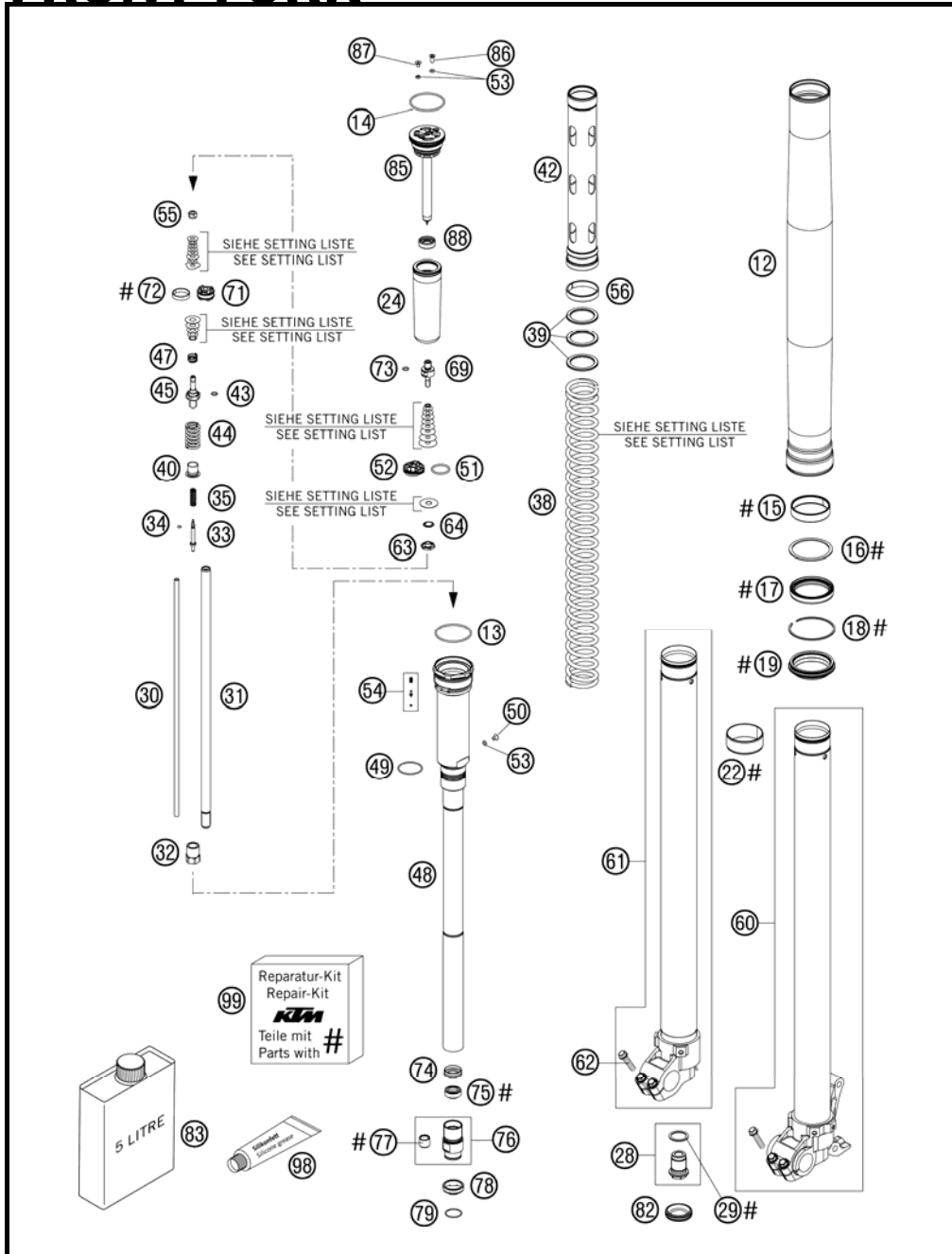


FIG	PART NUMBER	DESCRIPTION	QTY
12	48600684	OUTER TUBE L=577 D=54/60MM 2L	2
13	48600340	O-RING NBR 45X2	2
14	40140024	O-RING NBR 43X2	2
15	48600429	DU-BUSH D48XD52X12DDL02	2
16	48600013	SUPPORT RING 50 X 57,6 X 1,5	2
17	48600347	OIL SEAL RING 48X57,8X9,5 03	2
18	48600070	LOCK WASHER SB58	2
19	48600400	DUST CAP D=48 58,4X11,8	2
22	48600428	DU-BUSH D47XD49X20DDL02	2
24	48600281	MEMBRANE	2
28	48600280S	SCREW BUSH M20X1 L=33 CPL.	2
29	48600275	COPPER WASHER 20,5X26X1	2
30	48600269	ADJUSTING TUBE L=371	2
31	48600464	PISTON ROD SXS 2005	2
32	48600459	COUNTERNUT M12X1 WS17	2
33	48600277	ADJUSTER NEEDLE 07	2
34	48600298	O-RING 2X1,5 NBR	2
35	48600444	REBOUND SPRING C=4N/MM	2
38	91410051S	POLISHED SPRING 4,2 N/MM2 CC	x
38	91410052S	POLISHED SPRING 4,4 N/MM2 CC	x
38	91410053S	POLISHED SPRING 4,6 N/MM2 CC	x
38	91410055S	POLISHED SPRING 4,8 N/MM	x
38	91410056S	POLISHED SPRING 4, 0N/MM CC	x
39	48600456	SPACER 43X35X2,5	x
39	48600457	SPACER 43X35X5	x
39	48600458	SPACER 43X35X1,5	x
40	48600525	GUIDING BUSH REBOUND SPRING	2
42	48600468S	TUBE D=35XD=37,5 ASSY	2
43	48600299	O-RING 6X1,2 NBR	2
44	48600578	SPRING REB. L=32 C=37 DI=13,9	2
45	48600576	PISTON ROD REBOUND	2
47	48600382	SHUTTLE VALVE SPRING C=0,4	2
48	48600605S1	MEMBRANEHOLDER SXS 07	2
49	48600448	LOCK WASHER D=30	2
50	48600542	AH SCREW M4X6	2
51	46811499	O-RING NBR 21X2	2

07SXS0101 / C07SXS0101

\* NEW PART

X AS REQUIRED



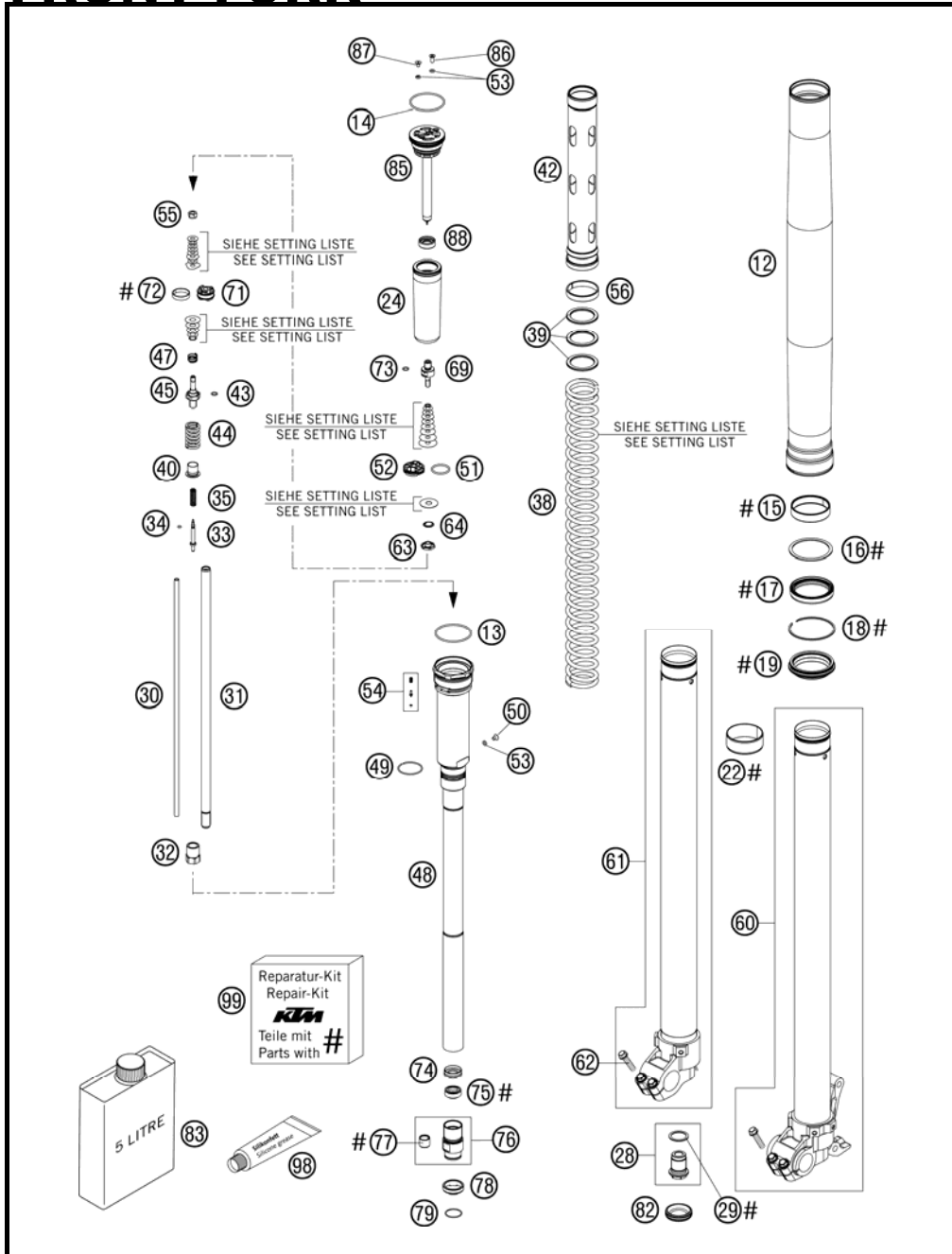


FIG	PART NUMBER	DESCRIPTION	QTY
52	48600047	PISTON COMPRESSION D=27,9	2
53	50180222	O-RING NBR 4X1,5	6
54	48600518S	PIN VALVE SET	2
55	40540486	NUT M6X0,5 REBOUND	2
56	48600294	GUIDE RING 44,2 X39,3	2
60	48600676S1	AXLE-CL. MA RI+INNERT. CPL. 07	1
61	48600675S1	AXLE-CL. MA DISC BR+INNERT. 07	1
62	0015080253	HH COLLAR SCREW M 8X25 WS=10	4
63	48600163	CHECK VALVE NUT M6X0,5 D=2	2
64	48600202	SPRING CHECK VALVE D=0,7	2
69	48600509	PISTON ROD COMPRESSION	2
71	48600679	PISTON REBOUND	2
72	48600455	PISTON RING 5X1X68	2
73	48600299	O-RING 6X1,2 NBR	2
74	50180222	O-RING NBR 4X1,5	2
75	48600471	PISTON ROD SEALING	2
76	48600546S	SCREW SLEEVE M24,5X1 CPL.	2
77	48600430	DU_BUS FOR PISTON ROD	2
78	48600297	CHECK VALVE STOP	2
79	48600446	LOCK WASHER D=20	2
82	48600141	RUBBER CAP D=35MM	2
83	48600401S1	FORK OIL SAE 5 2005	1
85	48600516S2	SPINDLE COMP. ASSY+COVER ASSY	2
86	48600527	AH SCREW M4X6	2
87	48600526	SCREW M4X10	2
88	48600514	MEMBRANE SLEEVE	2
98	T511	SILICONE GREASE F. DUST STRI	1
99	R14014	REPAIR-KIT GASKET 48MM Ø	1

07SXS0101 / C07SXS0101

\* NEW PART

X AS REQUIRED



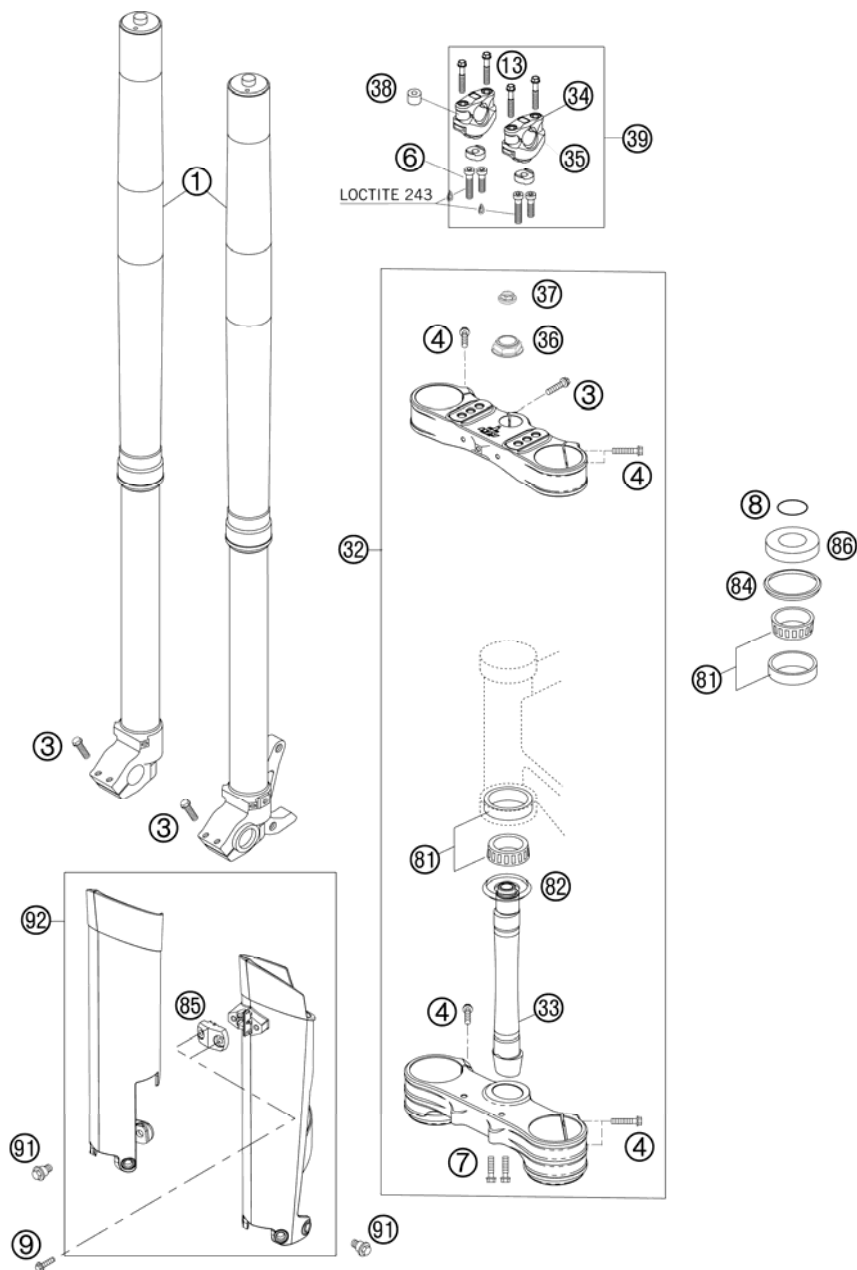


FIG	PART NUMBER	DESCRIPTION	QTY
1*	14187C15	FORK WP=48 250 SXS 2007	1
3	0015080253	HH COLLAR SCREW M 8X25 WS=10	5
4	0015080303	HH COLLAR SCREW M 8X30 WS=10	8
6	0912100250	AH SCREW DIN6912-M10X25,10.9,L	x
6	0912100356	AH SCREW DIN6912-M10X35 10.9	2
7	0015080203	HH COLLAR SCREW M 8X20 WS=10	2
8	0770025035	O-RING 25X3,55 NBR70 05	1
9	0017060204	EJOT PT SCREW K60X20 ALU WS=6	2
13*	0015080453	HH COLLAR SCREW M 8X45 WS=10	4
32	SXS06450400	TRIPLE CLAMP SHAPE 17,5/20,5	1
33	SXS06450403	FORK TUBE 06	1
34*	SXS07125208	UPPER PAN PHDS	2
35*	SXS07125206	BASE SUPPORT	2
36	SXS06450404	NUT M20 06	1
37	SXS06450405	SAFETY SCREW M20 2006	1
38	SXS05125203	ELASTOMER GREEN/SOFT	x
38	SXS05125204	ELASTOMER YELLOW/MEDIUM	4
38	SXS05125205	ELASTOMER RED/HARD	x
39	SXS07125200	HANDLEB.SUPP. PHDS	1
81	54201081100	TAPERED ROLLER BEARING CPL. 06	2
82	54601084100	O-RING SUPPORT W. SEALING LIP	1
84	54601184000	STEERING HEAD GASKET TOP	1
85	5900108510004	CLAMP F.SPEED.CABLE ORANGE 06	1
86	54201086000	STEERING HEAD COVER	1
91	59001092050	SPECIAL SCREW M6X12,5 WS=8	6
92*	7800109400004	FORK PROTECTOR LE+RI ORANGE 08	1

07SXS0100 / C07SXS0102

\* NEW PART

X AS REQUIRED

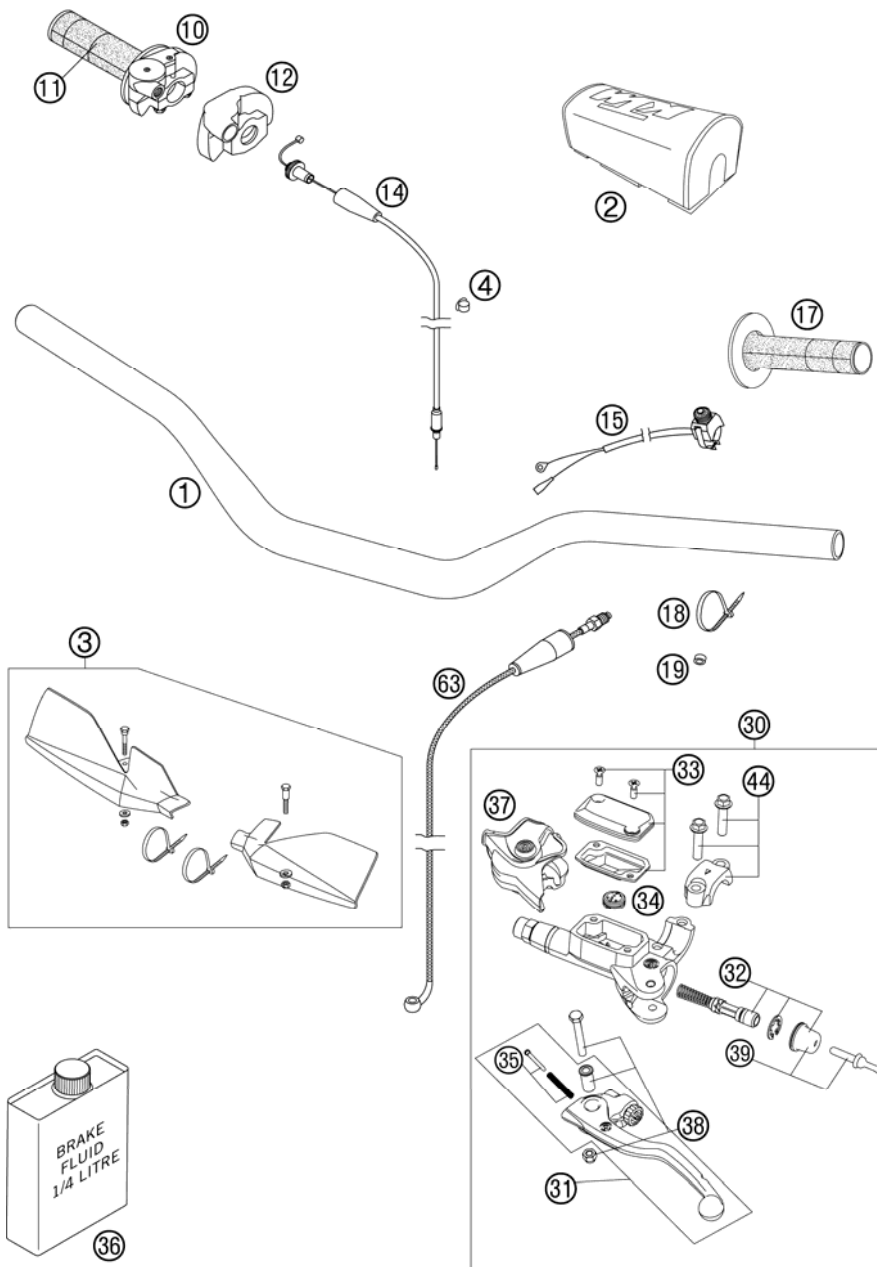


FIG	PART NUMBER	DESCRIPTION	QTY
1*	7730200100017	HANDLEBAR D=28MM SX 07	1
2*	SXS07250800	FATBAR PAD PHDS	1
3*	7700207900004	HAND GUARDS CPL.L/S+R/S OR. 06	1
4	57013072000	WIRING HOLDER 12MM	1
10	54802010000	THR.TWIST CRIP CPL. W.O.CA. 04	1
11	54802013000	TWIST GRIP COVER RENTHAL 04	1
12	50302020000	PROTECTION COVER '97	1
14	50302091000	THROTTLE C. 125-380 DOM./KEIH.	1
15	50311089200	SHORT CIRCUIT BUTTON 02	1
17	54802039000	FIXED GRIP RENTHAL 04	1
18	44011076200	CABLE TIE 200/3,6MM BLACK	1
19	50301089000	SPACER BUSHING 6X10X5	1
30	54802030044	MASTER CYLINDER CPL. 06	1
31	54802031000	CLUTCH LEVER CPL. BREMBO 06	1
32	54802032000	REP. KIT PISTON 06	1
33	54802003000	COVER HYD. CLUTCH CPL.	1
34	54802051000	VALVE	1
35	54802052000	BOLT KPL.	1
36	00062030000	BRAKE FLUID DOT 5.1	1
37	54802037000	PROTECTION CAP 06	1
38	54802038100	LEVER SCREW CPL. 06	1
39	54802046000	PUSH ROAD CPL.	1
44	54802005100	CLAMP CPL. 06	2
63	54832063000	CLUTCH PIPE 06	1

07SXS0201 / C07SXS0201

\* NEW PART

X AS REQUIRED

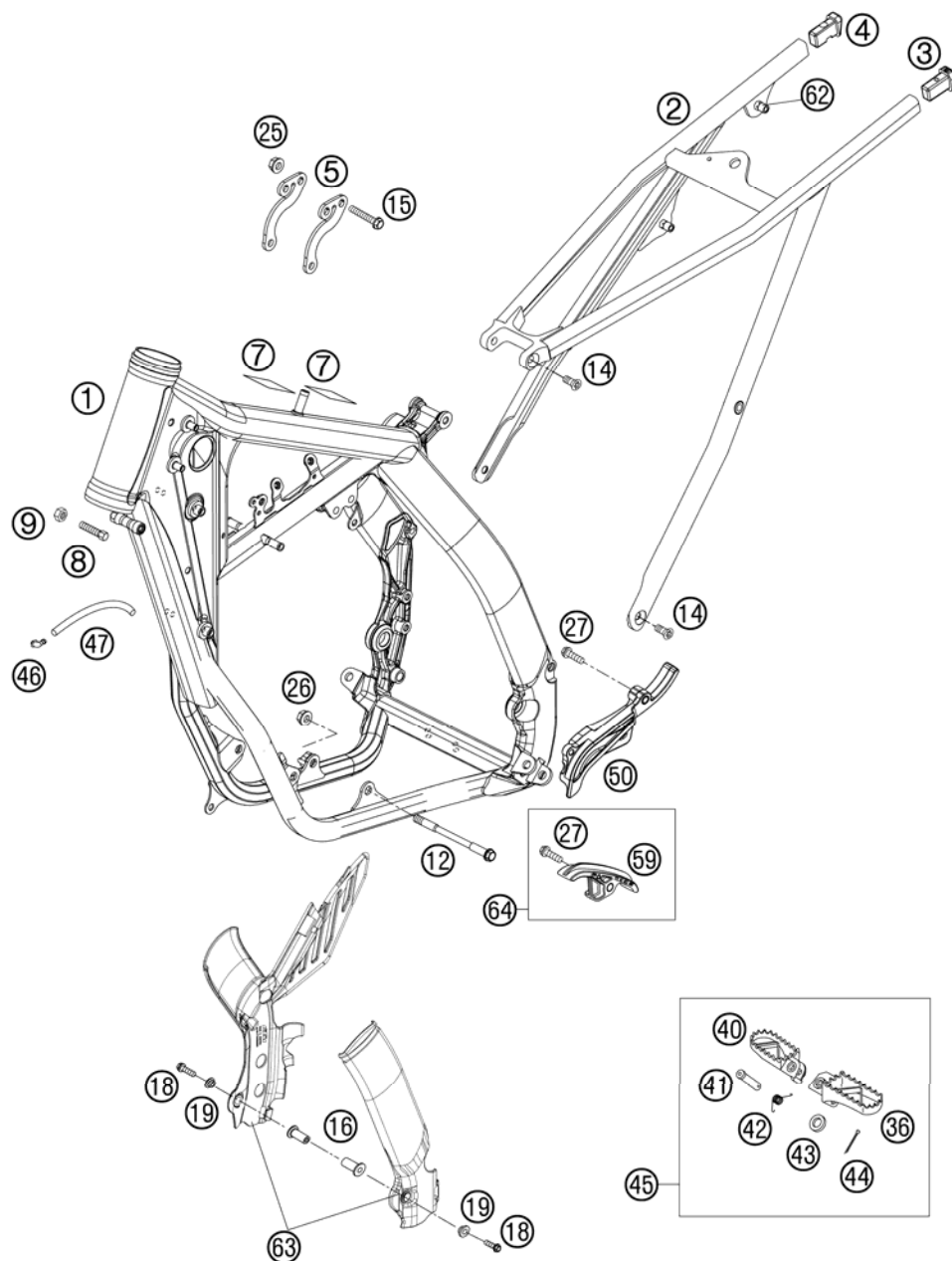


FIG	PART NUMBER	DESCRIPTION	QTY
1*	SXS07250550	FRAME 250 SXS "CD07" 2007	1
2*	77303002000	SUB FRAME SX "Q7" 07	1
3*	77303002010	SUB FRAME APPLICATION L/S 07	1
4*	77303002020	SUB FRAME APPLICATION R/S 07	1
5*	54803413000	REINFORCING B. 250 SX 07	2
7	50307012000	ADH. FOIL TRANSP. 80X80 MM 04	2
8	59001037000	SPECIAL SCREW M8X26 WS=10	2
9	0934080003	HEXAGON NUT DIN0934-M 8	2
12	54603013000	ENGINE BRAC.SCR. M10X105 WS=13	2
14*	0019080206S	FLAT HEAD SCREW M. ISA45 M8X20	4
15	56530079000	COLLAR SCREW M8X42 WS=13 10.9	3
16*	54803092050	BLIND PLUG-IN NUT M5 WN 22A 03	2
18*	0738050250	COU.SUNK SCR. AH ISO7380 M5X25	2
19*	54803092050	BLIND PLUG-IN NUT M5 WN 22A 03	2
25	54310086200	SELF LOCKING NUT M8 10.9	3
26	54310086100	SELF LOCKING NUT M10 CU WS=14	2
27	0015080303	HH COLLAR SCREW M 8X30 WS=10	2
36	59003040250	FOOT PED L/S SILVER 02	1
40	59003041250	FOOT PED R/S SILVER 02	1
41	54803044000	BOLT FOR FOOT PED 03	2
42	54603041000	FOOTREST SPRING L/S & R/S	2
43	0125100003	WASHER DIN0125-A10,5	2
44	0094032253	PIN DIN0094-3,2X25 STEEL	2
45*	5030314013390	FOOTREST L.+R. CPL. 03	1
46	50303089000	ANGEL PIECE '97	2
47	55007016001	PVC-HOSE 7X10 PER METER	x
50*	54803096000	SPROCKET COVER 250 SX 07	1
59*	77303053000	CHAIN SLIDING PIECE BELOW 07	1
62*	77303139000	BLIND RIVET NUT EM6-60LF/HX	x
63*	77303094100	PLASTIC FRAME PROTECTION SET	1
64*	77303053010	CHAIN SLIDING P. BELOW CPL. 07	1

07SXS0301 / C07SXS0301

\* NEW PART

X AS REQUIRED

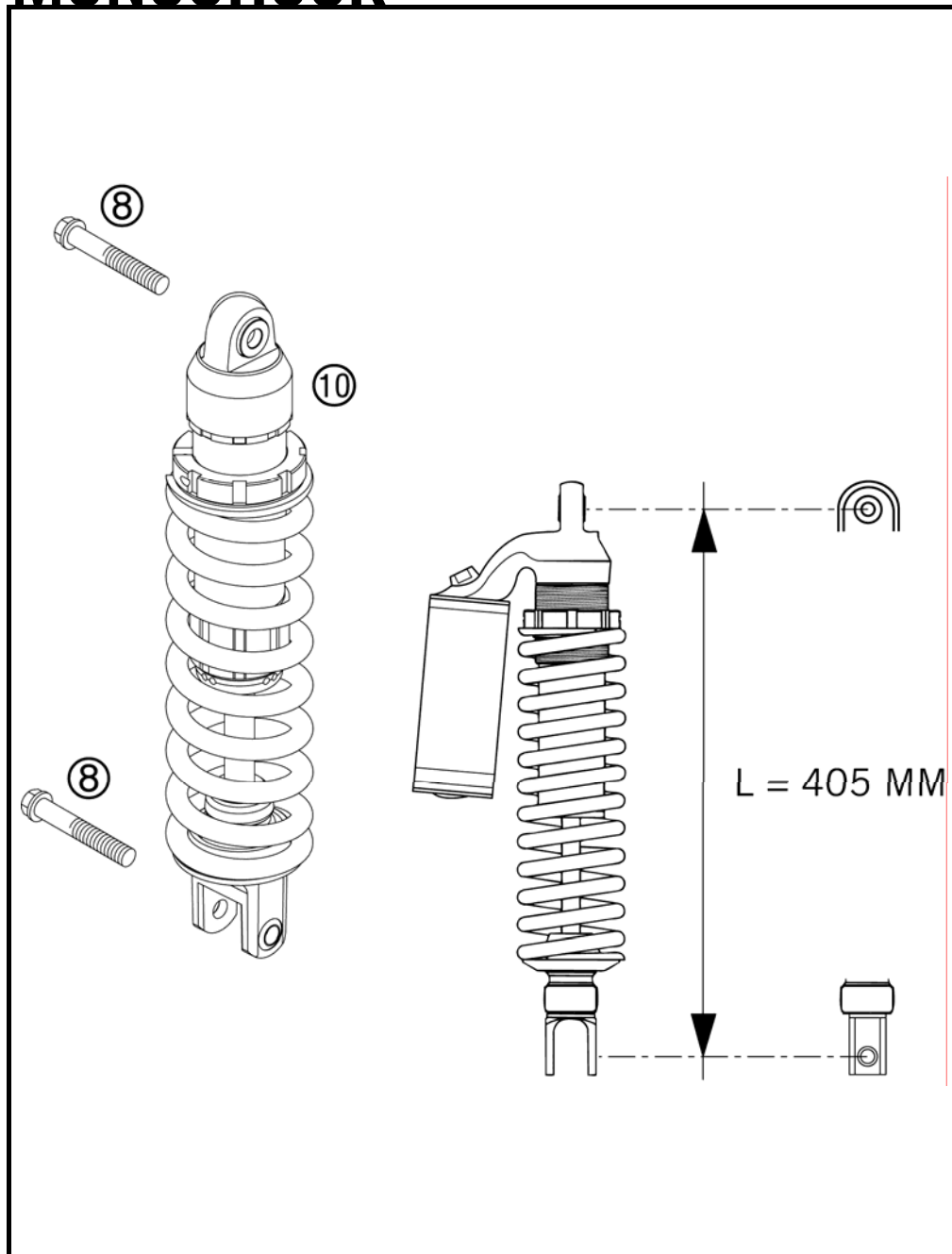


FIG	PART NUMBER	DESCRIPTION	QTY
8*	0025120506S	HH COLLAR M12X50 ISA45	2
10*	12187C11	MONOSHOK 250 SXS 2007	1

05503040 / C07SXS0402

\* NEW PART

X AS REQUIRED



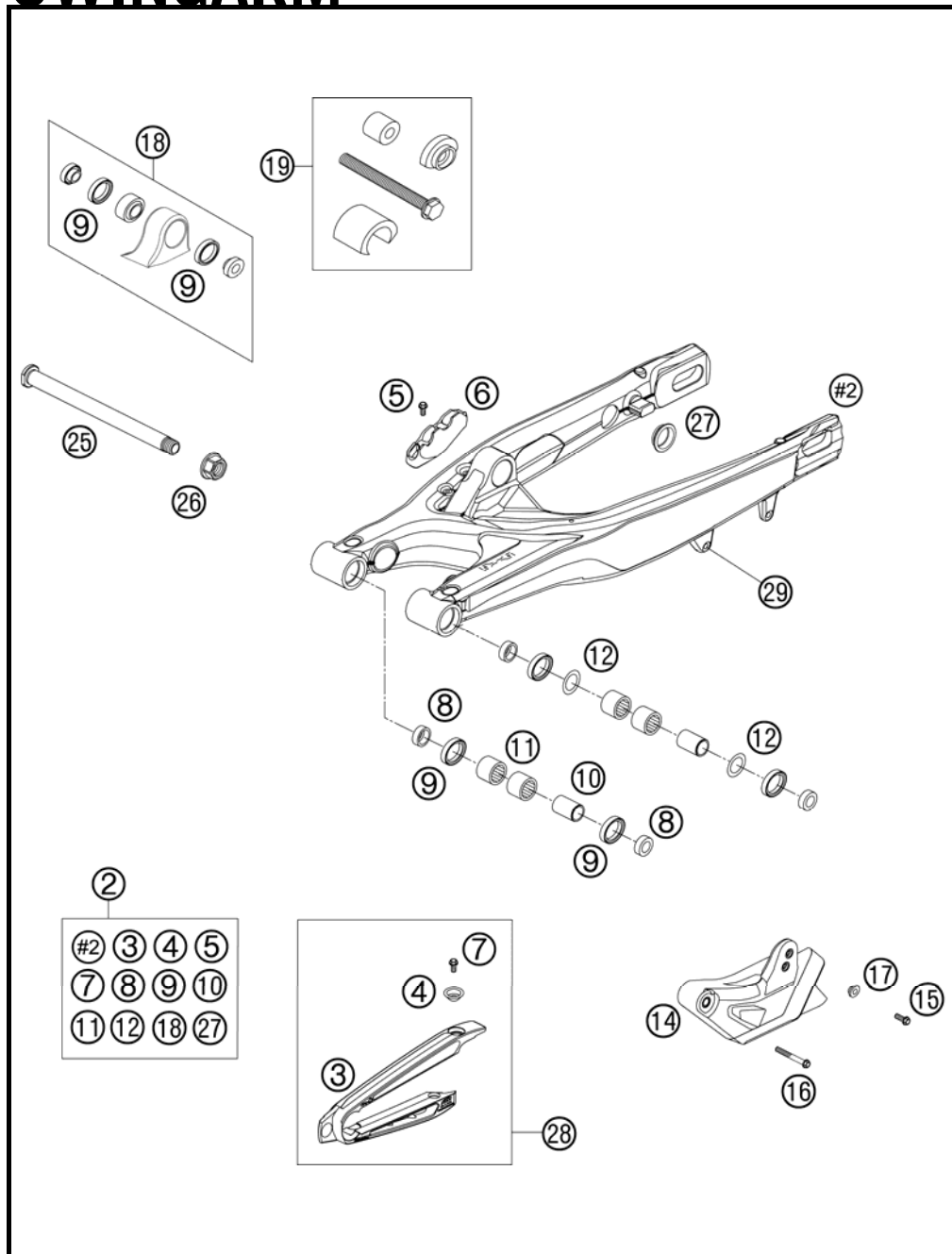


FIG	PART NUMBER	DESCRIPTION	QTY
2*	77304030044	SWINGARM CPL. 07	1
3*	77304066000	CHAIN SLIDING PROTECTION	1
4*	77304066050	BUSHING F. CHAIN SLIDING PR.07	2
5*	0009050103	SPECIAL SCREW M 5,0X10	2
6*	77313047000	BRAKE HOSE GUIDE LOWER 07	1
7	0015060103	HH COLLAR SCREW M 6X10 WS=8	2
8	54804034000	BUCKET F. SHAFT SEAL RING 03	4
9	0760253270	SHAFT SEAL RING 25X32X7	6
10	54804032000	BUSHING SLEEVE F. SWING ARM 03	2
11	58033097000	NEEDLE BEARING HK 2216	4
12	54603036000	STOP DISK 22,2X31,7X1	2
14*	77304070100	CHAIN GUIDE REAR CPL. 07	1
15	0015060203	HH COLLAR SCREW M 6X20 WS=8	1
16	0015060453	HH COLLAR SCREW M 6X45 WS=8	1
17	77304070130	BUSH. F. CHAIN FAIL. PROT. 07	1
18	50304090044	PIVOT BEARING+BUSHES PDS '99	1
19	50329000044	TOOL BEARING MOUNTING PDS	1
25*	77304037000	SWINGARM BOLT M16X1,5 07	1
26	54804038000	SELF LOCK.NUT M16X1,5 WS=19 03	1
27	58404041100	CLOSING COVER ROUND 03	4
28*	77304066010	CHAIN GUARD CPL. 06	1
29*	54603055051	PRESS IN NUT M6 STEEL ZINC	1

077700402 / C07SXS0407

\* NEW PART

X AS REQUIRED

# MONOSHOCK DISASSEMBLED

250 SXS 2007

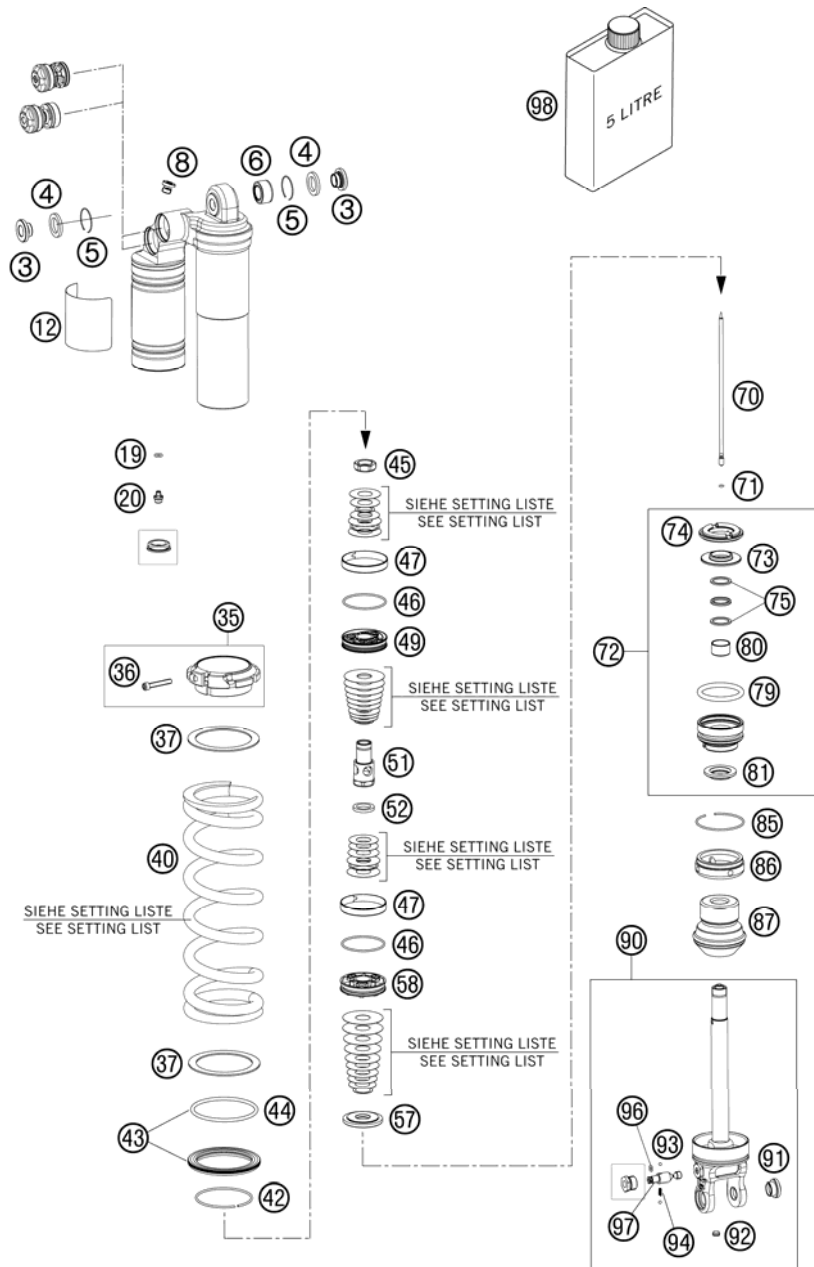


FIG	PART NUMBER	DESCRIPTION	QTY
3	46180007	ADAPTOR BUSH KGW 12X24	2
4	46180003	OIL SEAL KGW D=25	2
5	50180168	WASHER KGW D=25	2
6	50180005	BUSHING KGW 1525 HD	1
8	50180095	BLEED PLUG R 1/8	1
12	52000041	WP CAUTION (PDS KTM) 58X83	1
19	46810893	O-RING NBR 5,28X1,78	1
20	36120151	SCREW PLUG M5X6	1
35	50180582S	SPRING RET. (SCREW) M56X1 ANO.	1
36	50180327	AH SCREW M5X30 DIN912	1
37	50180114	INTERM.RING SCREW SPRING RET.	2
40	91210061S	SPRING 250 63 N/MM D=11,5 (62)	x
40	91210063S	SPRING 250 69 N/MM (62)	x
40	91210064S	SPRING 250 72 N/MM (62)	x
42	50180273	CIRCLIP 58,2X2	1
43	50180463S	SPRING RET. D=80 W. O-RING 05	1
44	50180352	O-RING VITON 66,27X3,53	1
45	50180141	PISTON ROD NUT M16X1	1
46	50180099	O-RING VITON 44,17X1,78	2
47	50180135	PISTON RING 50-8	2
49	50180446	PISTON 6+6X3,5/4,5	1
51	50180510	HOLDER D=16 M16X1 L=44	1
52	50180578	SHIM D23XD16X2	1
57	50180516	REBOUND DISC D=34, H=5	1
58	50180197	PISTON 6+6X7/4,5	1
70	50180513	NEEDLE L=171	1
71	46811265	O-RING VITON 2,2X1,6	1
72	50180435S1	ADAPTOR D50 H29 CPL.	1
73	50180113	STEEL DISC 18X,5X43,7X6	1
74	50180107	REBOUND RUBBER	1
75	50180102	BACKUPRING 22,55X1,5	2
79	50180103	O-RING 41X5	1
80	46180119	DU-BUSH 18X20X12	1
81	50180082	DUST SEAL 1835	1
85	50180126	CIRCLIP 53X1,75	1
86	50180580	RESERVOIR CAP D=50 SXS 07	1

07SXS0450 / C07SXS0450

\* NEW PART

X AS REQUIRED

# MONOSHOCK DISASSEMBLED

250 SXS 2007

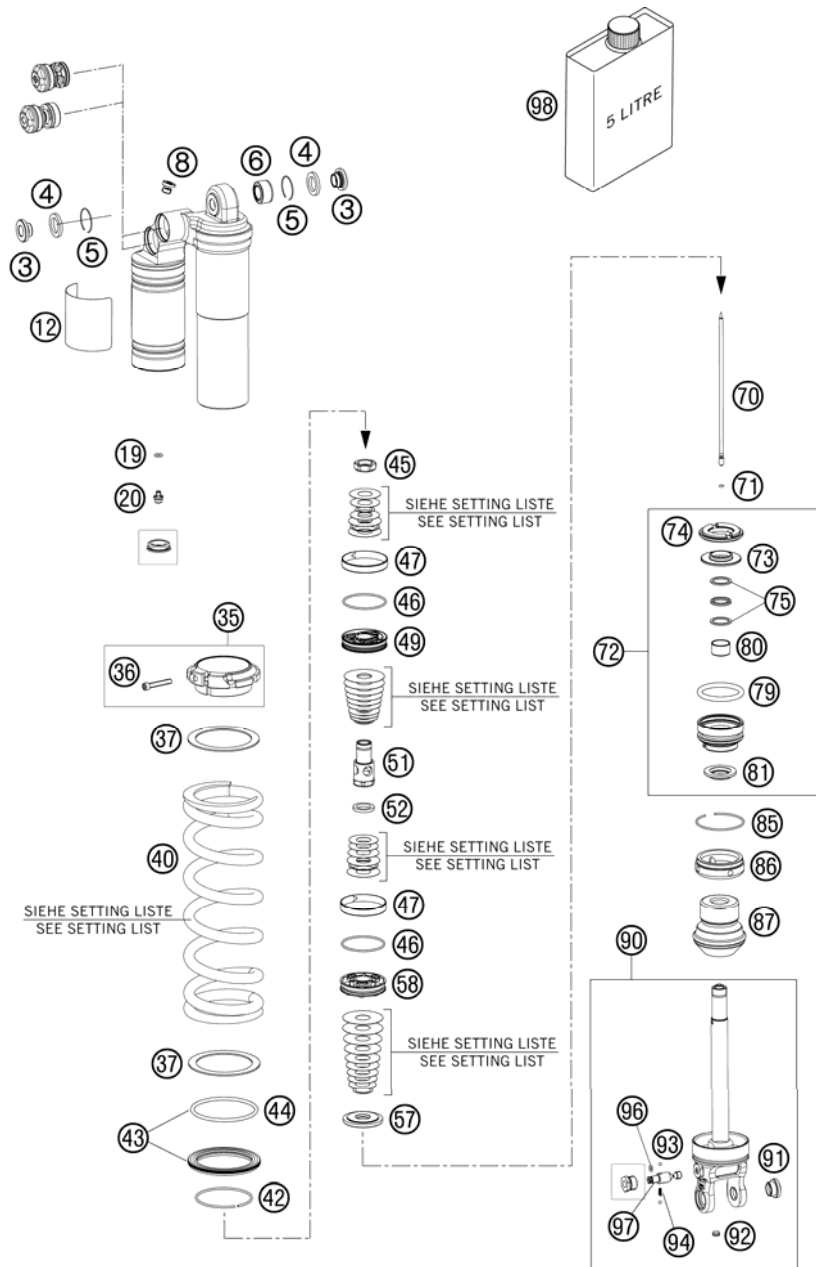


FIG	PART NUMBER	DESCRIPTION	QTY
87	50180480	BUMP RUBBER SXS 2005	1
90	50180583S1	MONOSH.BOTTOM PART CPL. SXS 07	1
91	50180105	THREADED BUSH M12 PDS	1
92	50180297	RUBBER PLUG D=8	1
93	40540603	STEEL BALL D=3MM	2
94	48600028	SPRING D=2,9 L=7,9	1
96	50180222	O-RING NBR 4X1,5	1
97	50180434	ADJUSTING SCREW 80 DEG. L=39	1
98	50180342S1	SHOCK ABSORBER FLUID 5 LT '03	1

07SXS0450 / C07SXS0450

\* NEW PART

X AS REQUIRED

# EXHAUST PIPE

250 SXS 2007

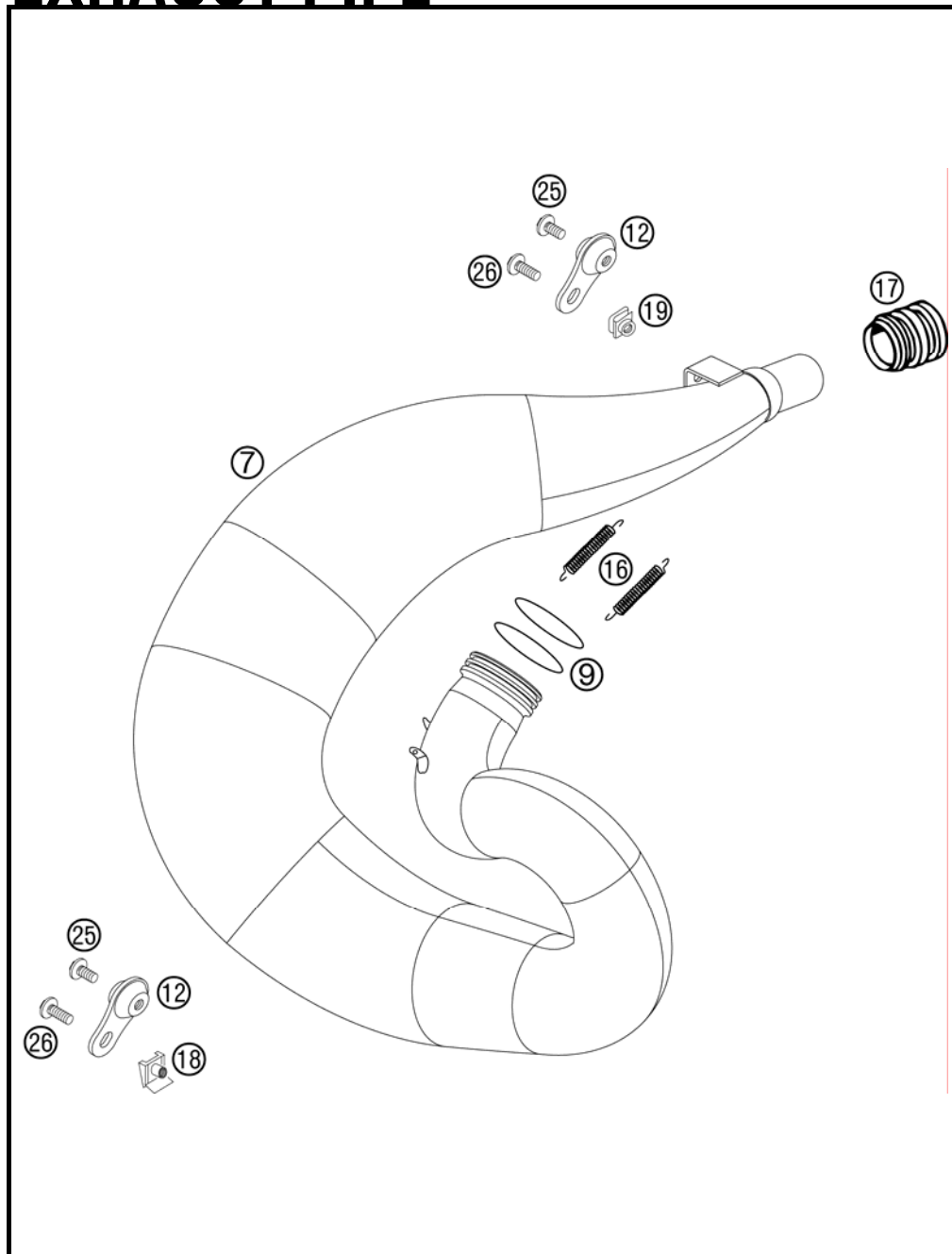


FIG	PART NUMBER	DESCRIPTION	QTY
7*	SXS03250500	EXHAUST PIPE 250 SXS 03	1
9	0770440030	O-RING 44,00X3,00 VITON	2
12	50305012000	SWINGELEMENT FOR EXHAUST PIPE	2
16	50305016000	TEN.SPRING L=62MM EY.MOVEABLE	2
17	54605157000	SILICON SLEEVE D=25/27MM	1
18	54603048100	RANGE CHANGE METAL NUT M6	1
19	50235033200	SNAP-NUT HOLDER M6 KP 134	1
25	0014060103	HH COLLAR SCREW M 6X10 WS=8	2
26	0014060153	HH COLLAR SCREW M 6X15 WS=8	2

065480500 / C06SXS0503

\* NEW PART

X AS REQUIRED

# EXHAUST SILENCER

250 SXS 2007

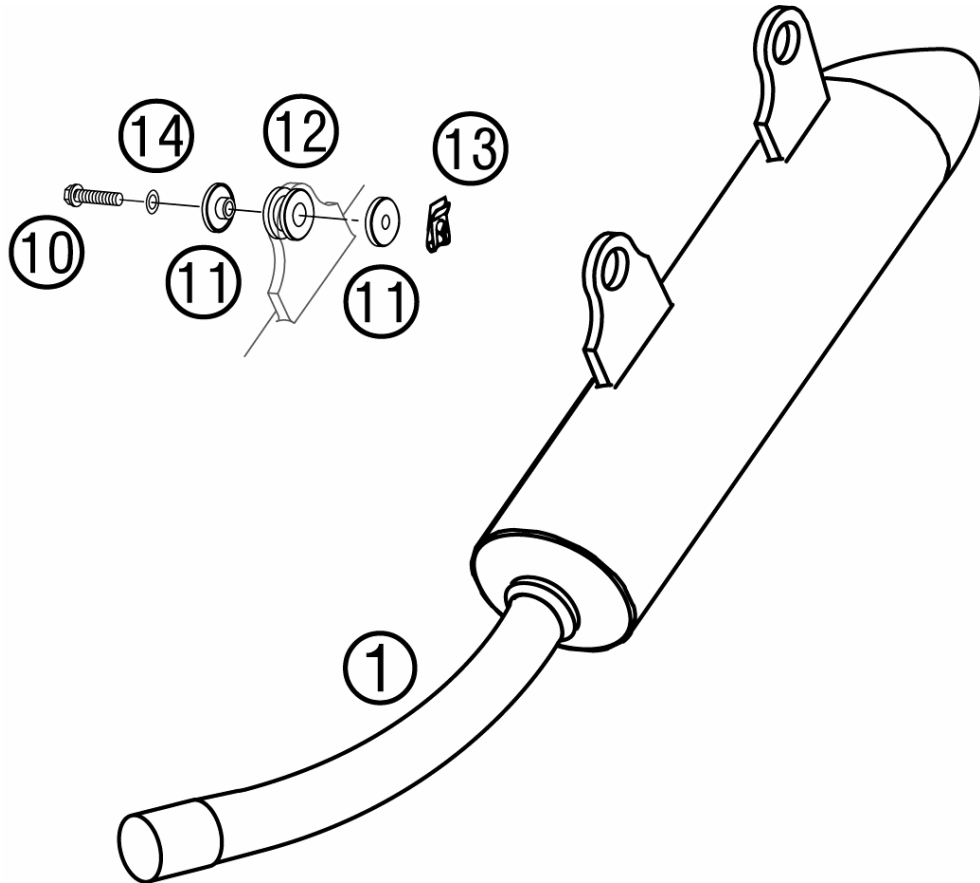


FIG	PART NUMBER	DESCRIPTION	QTY
1*	SXS06250551	EXHAUST SILENCER 250 SXS	1
10	0015060303	HH COLLAR SCREW M 6X30 WS=8	2
11	77305069000	BUSHING 7.5x12x28x7.6 07	4
12	54605068000	EXHAUST BRACKET RUBBER BLACK	2
13	54603048100	RANGE CHANGE METAL NUT M6	2
14	0137060003	SPRING WASHER DIN0137-B 6	2

06SXS0504 / C07SXS0507

\* NEW PART

X AS REQUIRED

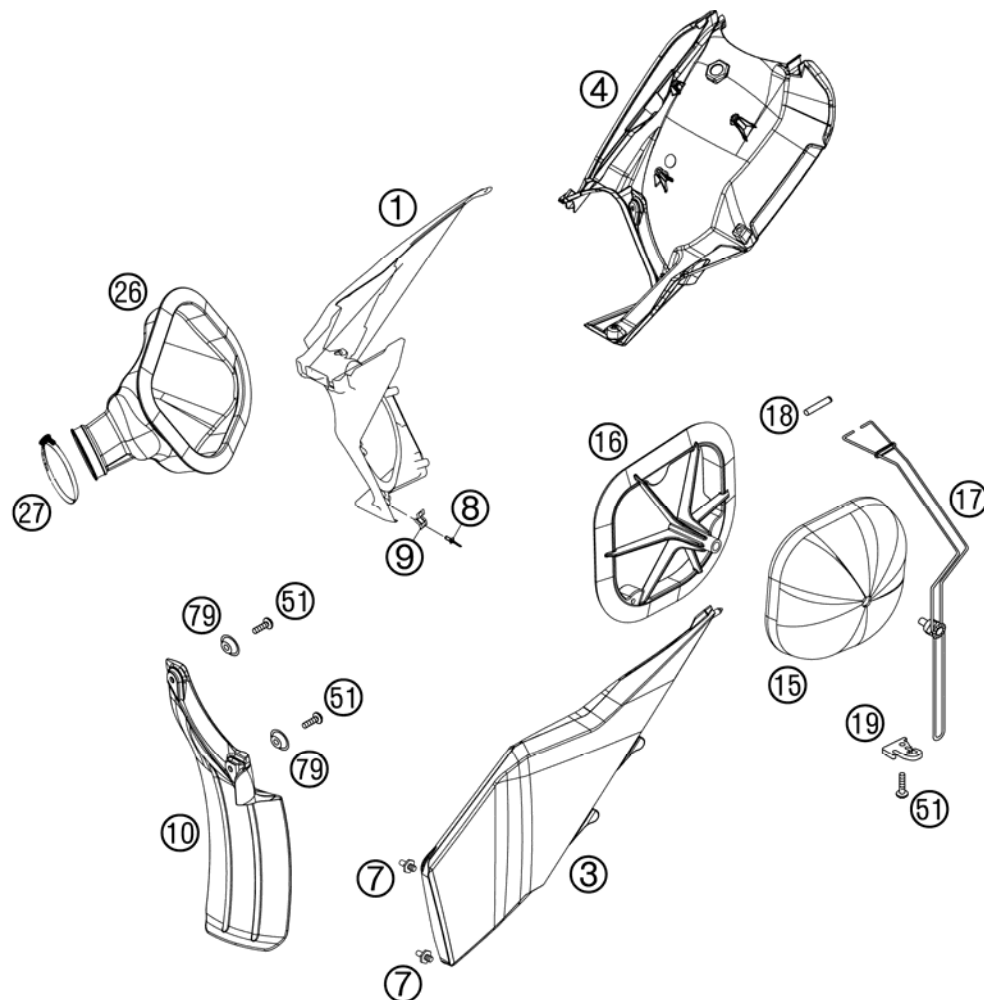


FIG	PART NUMBER	DESCRIPTION	QTY
1*	7730600101004	FILTER WALL ORANGE SX 07	1
3*	7730600300004	FILTER BOX COVER ORANGE SX 07	1
4*	77306001020	REAR PART FILTER BOX 07	1
7	54806008051	QUICK RELEASE-NIPPLE 03	2
8	54806108052	BLIND RIVET 3,3X9,7 GROOVED 04	4
9	54806008050	QUICK RELEASE-SPRING HANGER	2
10*	77306010000	FENDER FOR FILTER BOX	1
15*	77306015000	AIR FILTER 07	1
16*	54806416000	FILTER CARRIER 2S SX 07	1
17*	77306017000	FILTER SUPPORT CPL. 07	1
18*	77306018000	FILTER SUPPORT BUSH 07	1
19*	77306019000	FASTEN. DEVICE FILTER S. SX 07	1
26*	54806426000	CABURETOR CONNECTING 2S 07	1
27	51006027000	HOSE CLAMP 50-70MM	1
51*	0017060204	EJOT PT SCREW K60X20 ALU WS=6	3
79*	77304066050	BUSHING F. CHAIN SLIDING PR.07	2

077700600 / C075480600

\* NEW PART

X AS REQUIRED

# TANK, SEAT, COVER

250 SXS 2007

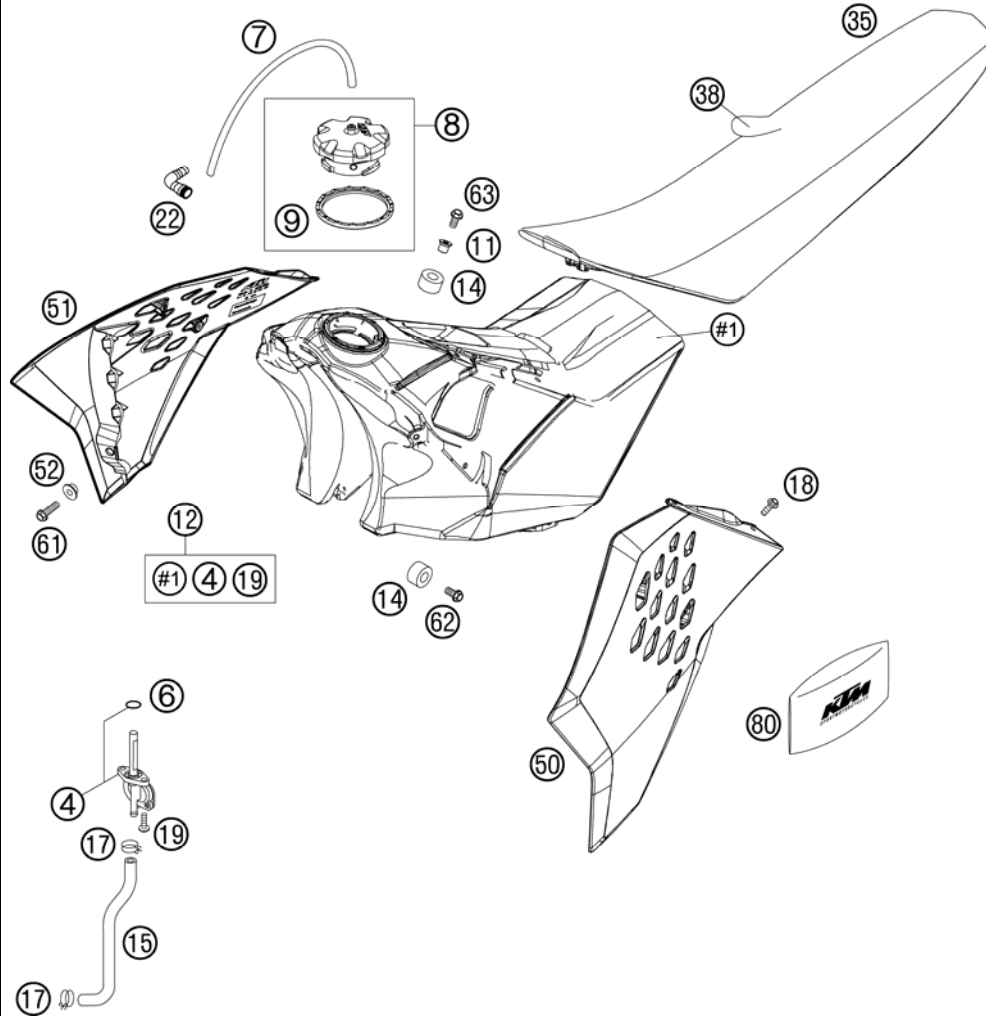


FIG	PART NUMBER	DESCRIPTION	QTY
4	50307005000	GAS COCK MIKUNI ON/OFF 2001	1
6	0770130023	O-RING 13,00X2,30	1
7	31007107001	PVC-HOSE 6X9 MM PER METER	x
8	SXS05250700	FILLER CAP ALU-BLACK	1
9*	SXS05250701	GASKET FOR SXS TANK CAP	1
11*	77307026000	TANK BUSHING 07	1
12*	7730701303330	FUEL TANK CPL. 7,5L SX 07	1
14	50307014000	TANK ROLLER 12X26X12 '98	3
15*	54807016000	FUEL PREFORMED HOSE 2STROKE 07	1
17	58031005000	CLAMP YDNAC 10128 12MM	2
18	0017060204	EJOT PT SCREW K60X20 ALU WS=6	8
19	0017060203	EJOT PT SCREW K60X20 WS=6	2
22	51030022000	ANGLE PIECE 90 DEGREE M10X1	1
35*	54807040900	SEAT SXS / SXS-F 2007	1
38*	54807040950	SEAT COVER SXS / SXS-F 2007	1
50*	7730805000030A	SPOILER LEFT BLACK SX 07	1
51*	7730805100030A	SPOILER RIGHT BLACK SX 07	1
52	50308052000	BUSH FOR SPOILER 6X11X16X5 MM	2
61	0015060203	HH COLLAR SCREW M 6X20 WS=8	2
62	0015060123	HH COLLAR SCREW M 6X12 WS=8	2
63*	0015060253	HH COLLAR SCREW M 6X25 WS=8	1
80*	54829099000	ORIGINAL EQUIPMENT TOOL KIT	1

07SXS0700 / C07SXS0700

\* NEW PART

X AS REQUIRED

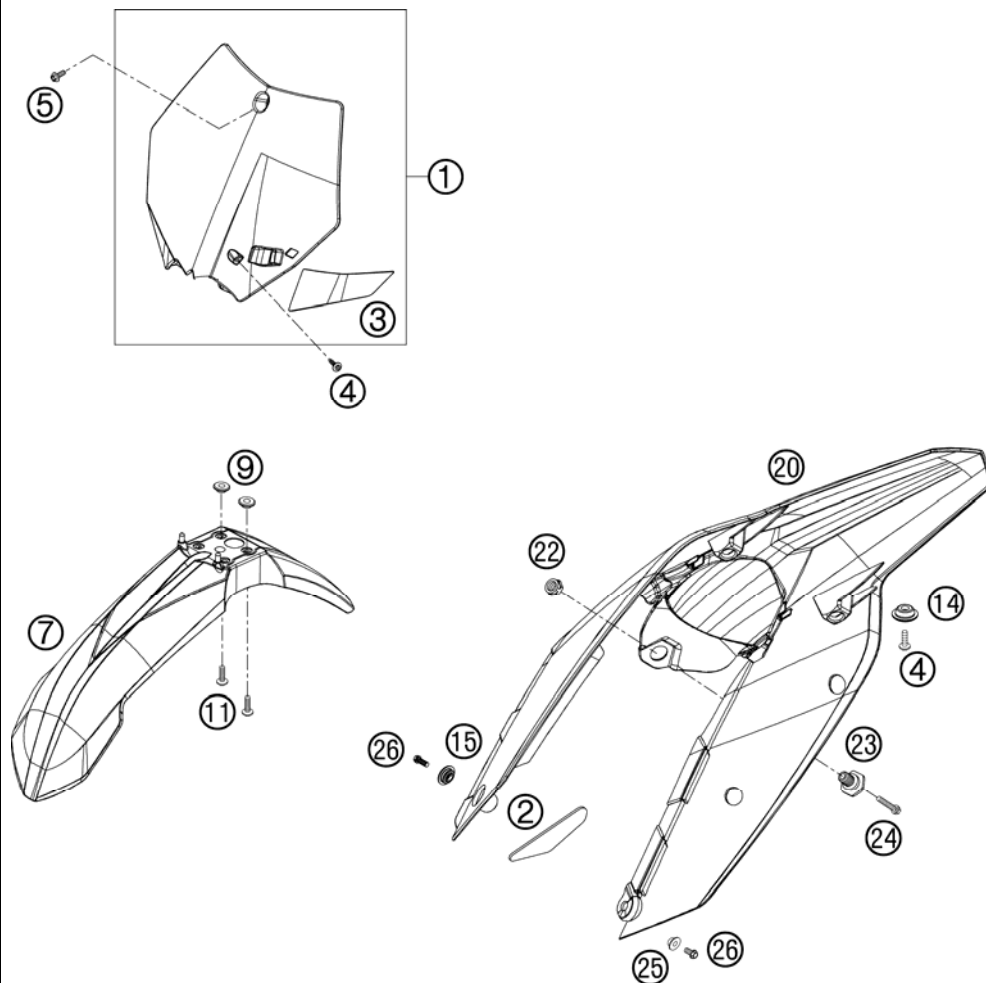


FIG	PART NUMBER	DESCRIPTION	QTY
1*	7730800704404	NUMBER PLATE CPL. ORANGE 07	1
2	77308013050	THERMAL PROTECTION FOIL 07	1
3*	7730802200004	BRAKE HOSE GUIDE ORANGE 07	1
4	0017060203	EJOT PT SCREW K60X20 WS=6	3
5	0014060103	HH COLLAR SCREW M 6X10 WS=8	1
7*	7730801000004	FRONT FENDER 07	1
9	54808020000	SPACER BUSHING 03	4
11	0014060153	HH COLLAR SCREW M 6X15 WS=8	4
14*	77308013010	COLLAR BUSH. F.REAR FENDER 07	2
15*	77306001030	COLLAR BUSHING 4,5/12,6/23	1
20*	7730801300004	REAR FENDER SX ORANGE 07	1
22	50314057050	COLLAR NUT M12X1/WS17 H=5MM	1
23	54807048000	BUSHING FOR SEAT FASTENING 03	1
24	0015060253	HH COLLAR SCREW M 6X25 WS=8	1
25	50308052000	BUSH FOR SPOILER 6X11X16X5 MM	1
26	0015060203	HH COLLAR SCREW M 6X20 WS=8	4

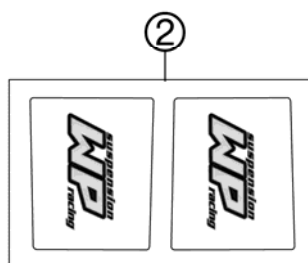
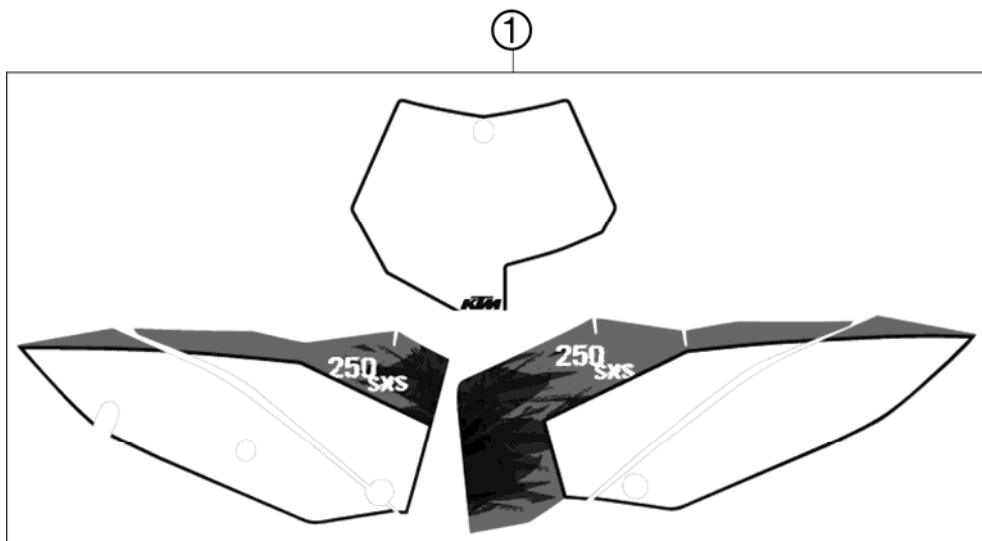
077700800 / C077700800

\* NEW PART

X AS REQUIRED



FIG	PART NUMBER	DESCRIPTION	QTY
1	54808291300	DISPLACEME.STICKER 250 SXS 07	1
2	52000026	STICKER FR.FORK-SET WP TRANSP.	1



07SXS0801 / C07SXS0801

\* NEW PART

X AS REQUIRED

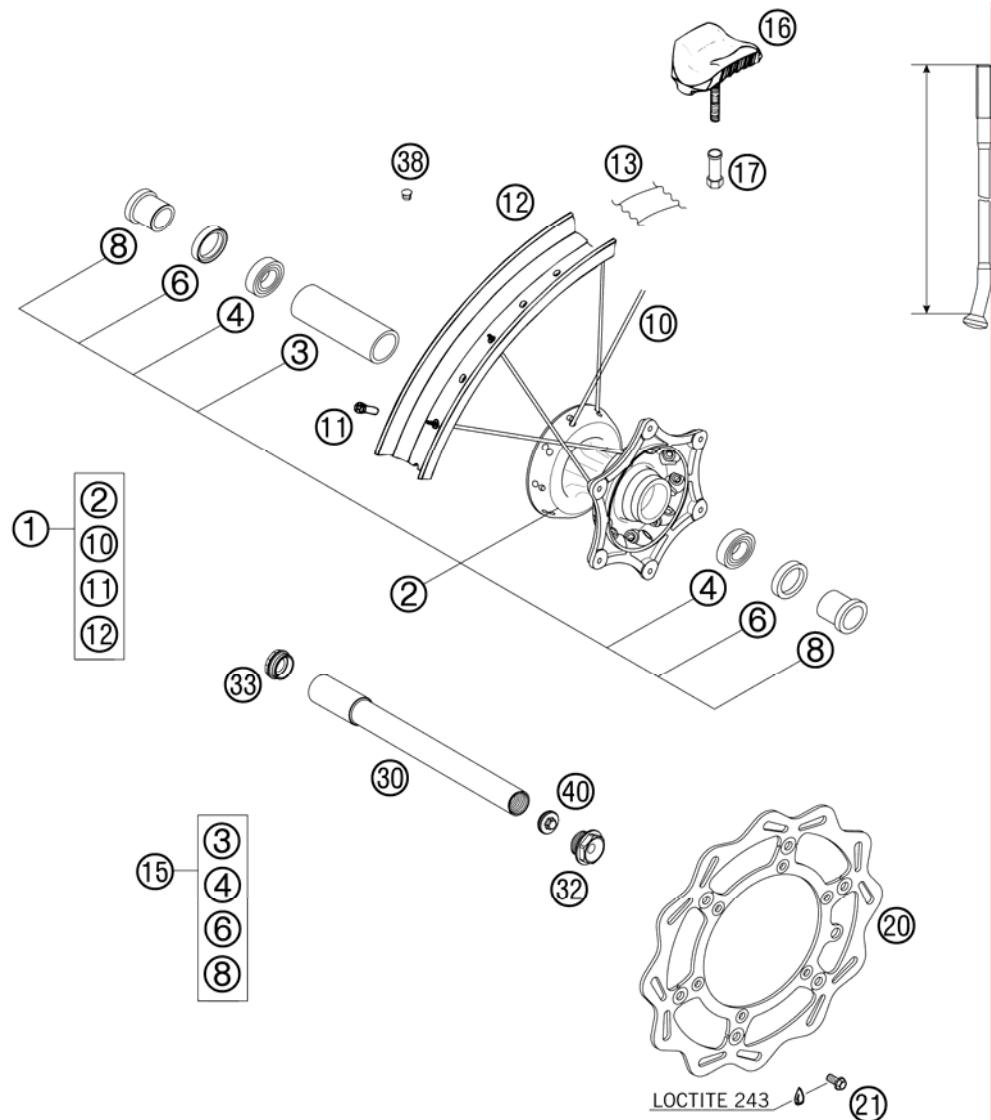


FIG	PART NUMBER	DESCRIPTION	QTY
1*	7730900104430	FRONT WHEEL CPL.1,6X21EXCEL 07	1
2*	77309010044	FRONT HUB SX CPL. 07	1
3	54809011000	BEA.SPACERTUBE 35X2 L=79,4 03	1
4	0625069068	GR.BALL BEAR.6906 DDU2CG23S6NM	2
6	0760354771	SHAFT SEAL RING 35X47X7 TC	2
8*	77309012000	SPACER BUSHING 07	2
10*	77309072226	SPOKE M4, 5X226- 21" 06	36
11	50309072000	SPOKE NIPPLE M4,5X0,75 8X21	36
12	5460907010030	RIM 1,60X21"EXCEL AL4 BLACK	1
13	50309073000	RIM BAND 21"	1
15*	77309015000	FRONT WHEEL REP. KIT	1
16	51009100100	RIM LOCK VM1 (1,60")	1
17	50310090050	NUT FOR WHEEL HOLDER '96	1
20	54809060300	FRONT BRAKE DISC D=260 MM	1
21	59009062013	SPECIAL SCREW M6X13 WS=8 10.9	6
30*	77309081000	WHEEL SPIN.FR. D=26 M24x1,5 07	1
32	54809082000	SPINDLE SCREW M24X1,5 WS=27 03	1
33	54809081050	PLUG BUSHING WS=27 03	1
38	55003135000	PLUG FOR RIM	x
40	54809081070	AUXILIARY SCREW FRONT 06	1

07SXS0900 / C07SXS0900

\* NEW PART

X AS REQUIRED

# REAR WHEEL

250 SXS 2007

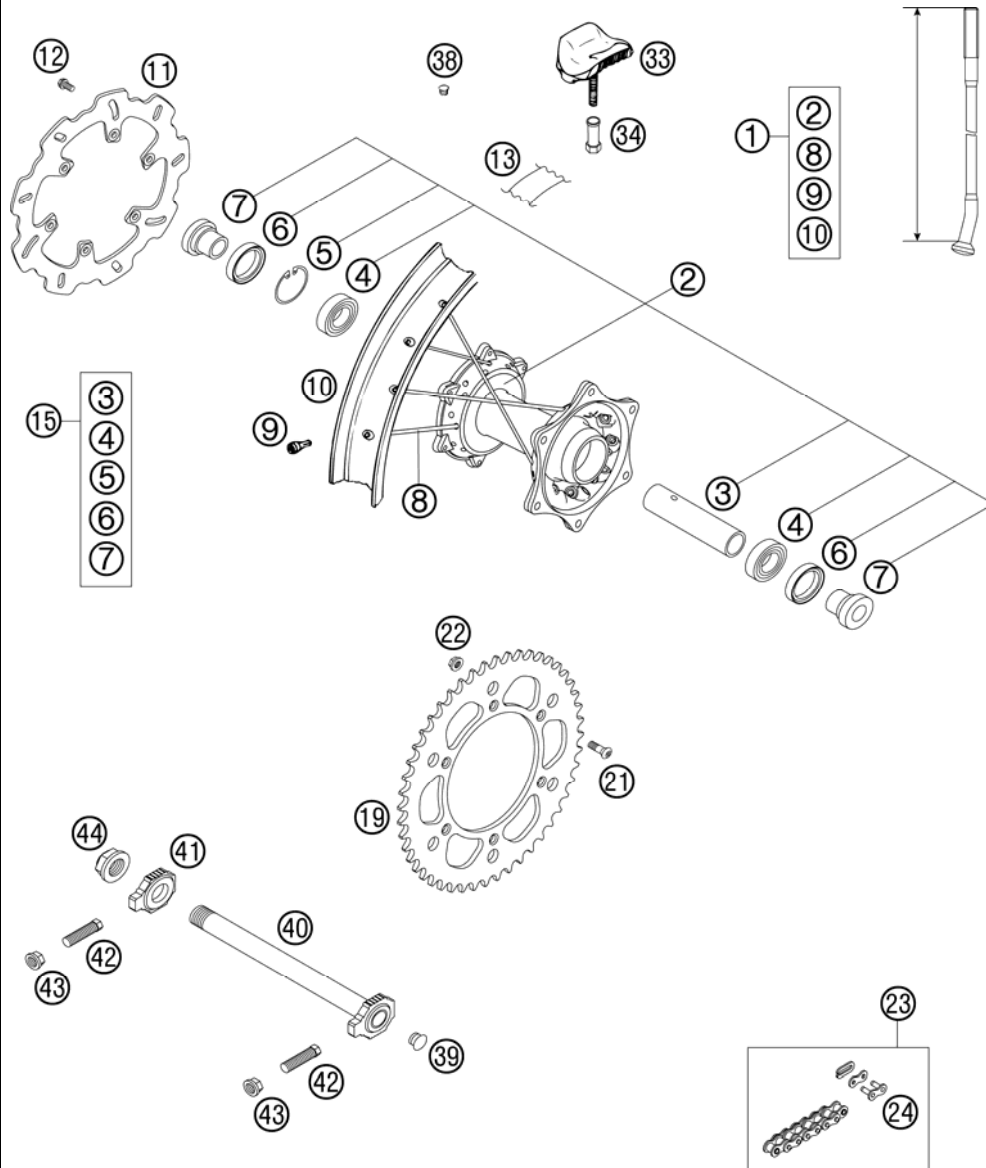


FIG	PART NUMBER	DESCRIPTION	QTY
1*	7731000104430	REAR WHEEL CPL.2,15X19"EXCELO7	1
2*	77310010044	REAR HUB SX CPL. 07	1
3	59010011000	BUSHING SPACER TUBE 121,5MM 01	1
4	0625060058	GR.BALL BEAR.6005 DDU2CG23S6NM	2
5	0472047175	CIRCLIP DIN0472-47X1,75	1
6	0760324771	SHAFT SEAL RING 32X47X7 BSL	2
7*	77310016000	SPACER BUSHING 07	2
8*	77310072207	SPOKE M5x207 - 19" 07	36
9	58309072000	SPOKE NIPPLE M5-TA (8X21MM)	36
10	5461007010030	RIM 2,15X19"EXCEL AL4 BLACK	1
11	54810060200	BRAKE DISC REAR D=220 MM	1
12	59009062013	SPECIAL SCREW M6X13 WS=8 10.9	6
13	50310073200	RIM BAND 18" AND 19"	1
15*	77310015000	REAR WHEEL REP. KIT	1
19*	5901005104804	SPROCKET 48T ORANGE	x
19*	5901005104904	SPROCKET 49T ORANGE	x
19*	5901005105004	SPROCKET 50T ORANGE	x
19*	5901005105104	SPROCKET 51T ORANGE	x
19*	5901005105204	SPROCKET 52T ORANGE	x
21	54510052100	SPROCKET SCREW-AH M8X26 WS=6	6
22	54310086200	SELF LOCKING NUT M8 10.9	6
23	5031016511804	CHAIN 5/8X1/4" ORANGE	1
23	50310800118	CHAIN Z-RING 5/8X1/4"	x
24	50310166000	CONNECTING LINK	1
24	50310366000	CONNECTING LINK	x
24	50310866000	MASTER LINK	1
33	54010100100	RIM LOCK VM3 (2.15")	2
34	50310090050	NUT FOR WHEEL HOLDER '96	2
38	55003135000	PLUG FOR RIM	x
39	50210086000	COVERING CAP SFL16	x
40*	77310085044	WHEEL SPINDLE RE. CPL.265MM 07	1
41	50310084000	CHAIN TENSIONER R/S 2000	1
42	50304040100	SCREW M10X1,25X50 WS=10	2
43	58414030000	HH COLLAR NUT M10X1,25 WS=13	2
44	50310099000	HEXAGON NUT M20X1,5 '98	1

07SXS1000 / C07SXS1000

\* NEW PART

X AS REQUIRED

# BRAKE CALIPER FRONT

250 SXS 2007

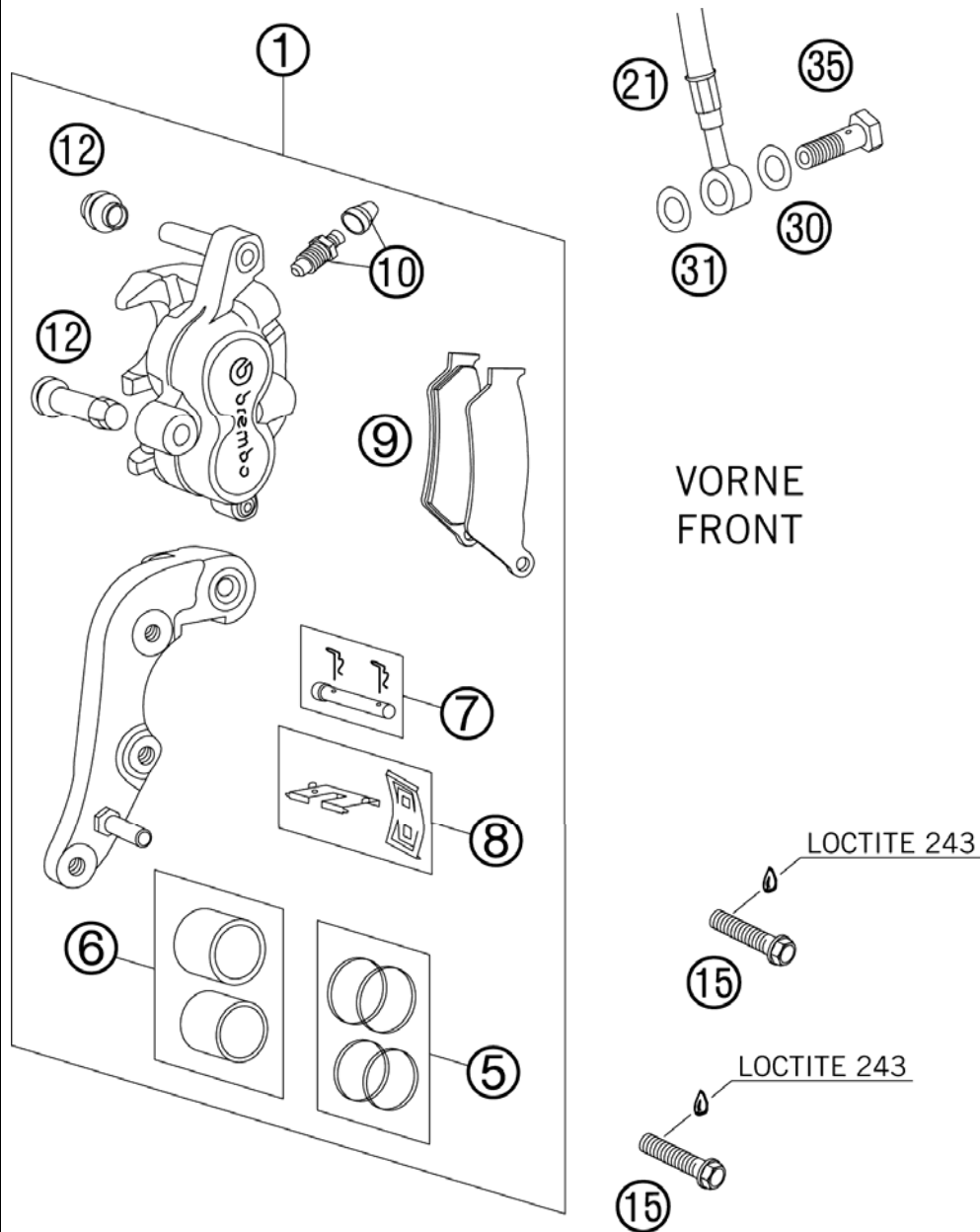


FIG	PART NUMBER	DESCRIPTION	QTY
1*	SXS06125512	BRAKECALIPER FRONT BREMBO 2006	1
5	54613205000	REPAIR KIT 28MM	1
6	54613206000	REPAIR KIT PISTON 28MM	1
7	54613210100	BOLT CPL. 6X56	1
8	54613212000	RETAINING PLATE SET BREMBO	1
9	50313030200	BRAKEP.SET FR.TOSHIBA TT2701HH	1
10*	60013020000	BLEEDER SCREW WITH CAP	1
12	54613218000	CUP SET SHORT	1
15	0015080353	HH COLLAR SCREW M 8X35 WS=10	2
21	59013010000	BRAKEHO. FRONT 1235MM 2000	1
30	42013226000	CU-SEAL RING DIN7603-10X16X1	2
31	42013026000	CU-SEAL RING DIN7603-10X16X1,5	2
35	50213025000	HOLLOW SCREW M10X1X19	1

065231306 / C06SXS1301

\* NEW PART

X AS REQUIRED

# HAND BRAKE CYLINDER

250 SXS 2007

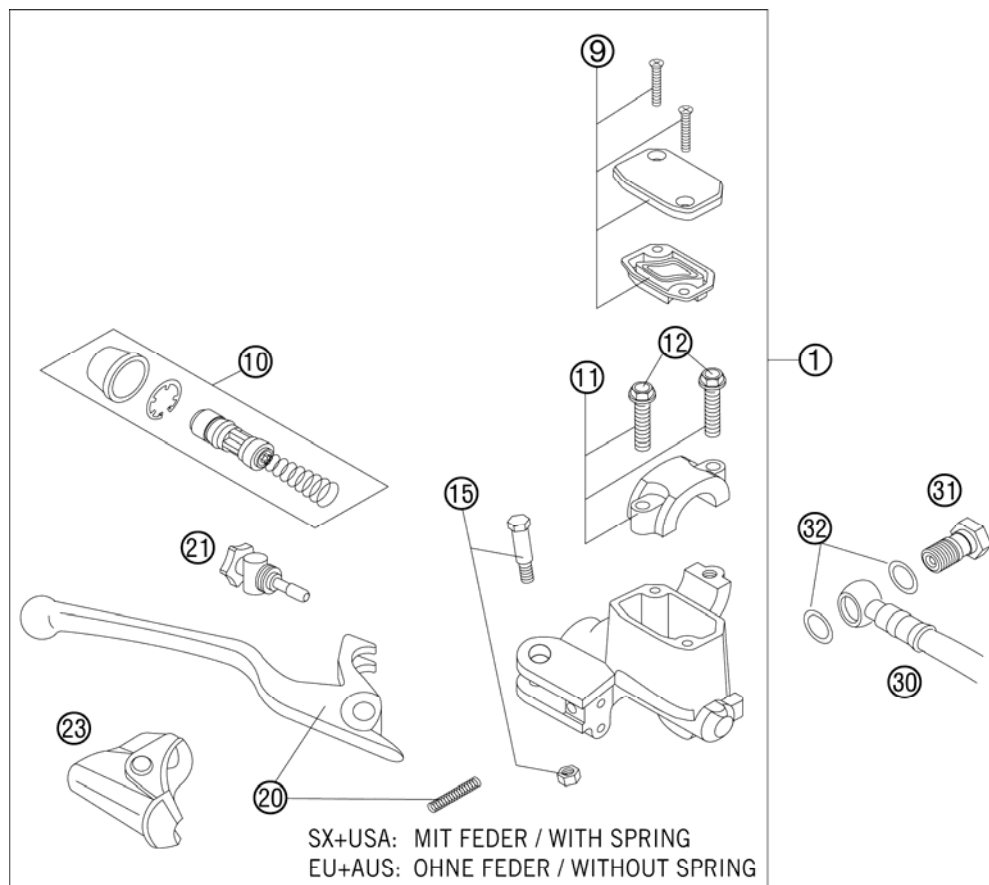


FIG	PART NUMBER	DESCRIPTION	QTY
1	54813001200	HAND BRAKE CYLINDER CPL. SX 06	1
9	50313003000	HANDBRAKE CYL. COVER CPL. NATURE	1
10	54813008200	REP. SET PISTON D=10MM 2006	1
11	50313005000	CLAMP CPL. NATURE	1
12	0015060253	HH COLLAR SCREW M 6X25 WS=8	2
15	50313006100	LEVER SCREW CPL. 2001	1
20	54813002100	HAND BRAKE LEVER + SPRING 2006	1
21	54813007200	ADJUSTING SCREW CPL. EXC 2006	1
23	50313004000	PROTECTION CAP HAND BRAKE CYL.	1
30	59013010000	BRAKEHO. FRONT 1235MM 2000	1
31	50213025000	HOLLOW SCREW M10X1X19	1
32	42013226000	CU-SEAL RING DIN7603-10X16X1	2
80	00062030000	BRAKE FLUID DOT 5.1	1

065481300 / C077701301

\* NEW PART

X AS REQUIRED

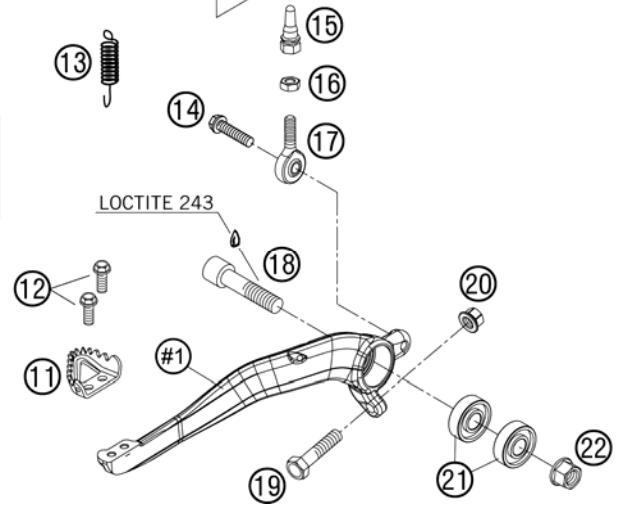
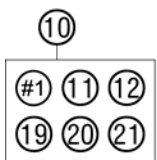
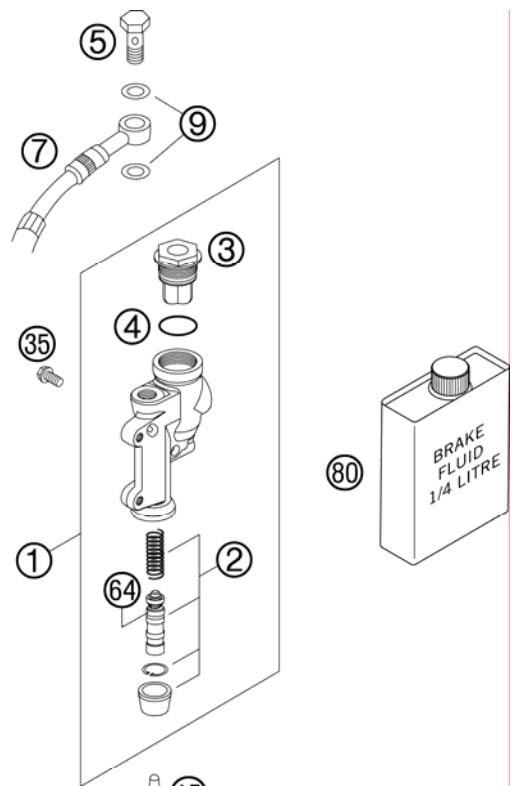


FIG	PART NUMBER	DESCRIPTION	QTY
1	54813060100	REAR BRAKE CYLINDER CPL. 2004	1
2	54813061200	REPAIR KIT PISTON 13MM 06	1
3	54813062100	REAR BRAKE CYL. COVER CPL. 04	1
4	54813063000	FOOT-BRAKE CYL. GASKET SX 03	1
5	54813020100	HOLLOW SCREW BLACK M10X1X19	1
7	54813070000	BRAKE HOSE REAR 655MM 03	1
9	42013226000	CU-SEAL RING DIN7603-10X16X1	2
10*	77313050044	FOOT BRAKE LEVER CPL. 07	1
11	54813051000	STEP PLATE FOR BRAKE LEVER	1
12	0015050123	HH COLLAR SCREW M 5X12 WS=8	2
13	54603062000	RETURN SPRING FOR BRAKE LEVER	1
14	0015060203	HH COLLAR SCREW M 6X20 WS=8	1
15	54813056000	PUSH ROD L=28MM 03	1
16	0934060003	HEXAGON NUT DIN0934-M 6	1
17	54813055000	SWIVEL HEAD KA6 03	1
18	0912100406	AH SCREW DIN6912 M10X40 10.9	1
19	59001037000	SPECIAL SCREW M8X26 WS=10	1
20	46030045000	COLLAR NUT M8 WS=10	1
21	0625060002	BALL BEARING SKF 6000-2RS1	2
22	54630044000	COLLAR NUT M10 WS=13	1
35	0015060123	HH COLLAR SCREW M 6X12 WS=8	2
64	54813064200	BELLOWS FOR REPAIR KIT 06	1
80	00062030000	BRAKE FLUID DOT 5.1	1

077701302 / C077701302

\* NEW PART

X AS REQUIRED



# BRAKE CALIPER REAR

250 SXS 2007

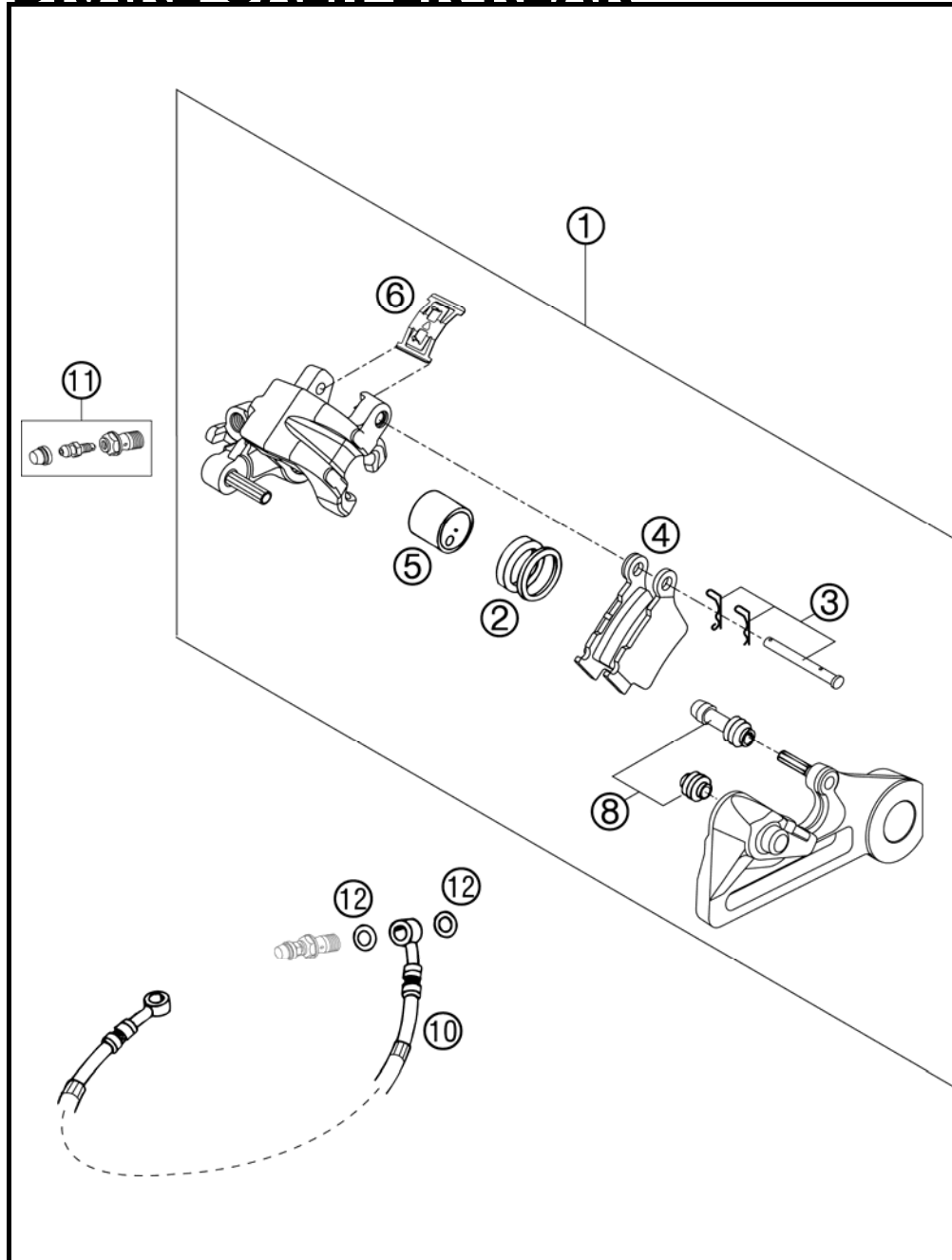


FIG	PART NUMBER	DESCRIPTION	QTY
1*	SXS07125712	BRAKECALIPER BACK BREMBO 2007	1
2	50313081200	REPAIR KIT SEALING RINGS 26MM	1
3	54813082000	BOLT SET FOR BRAKE CALIPER 03	1
4	54813090300	BRAKE PAD SET REAR TOYO	1
5	54813083000	BRAKE PISTON 26MM 2003	1
6	54813018000	RETAINING SPRING SET 2003	1
8	54613218000	CUP SET SHORT	1
10	54813070000	BRAKE HOSE REAR 655MM 03	1
11	54813020000	BLEEDER HOLLOW SCREW M10X1	1
12	42013226000	CU-SEAL RING DIN7603-10X16X1	2

03590136 / C07SXS1303

\* NEW PART

X AS REQUIRED



FIG	PART NUMBER	DESCRIPTION	QTY
0	312305	DOCUMENTS BAG 2006	1
0	312313	KTM BALLPOINT ORANGE	1
0	3210039	CUSTOMER WELCOME LETTER	1
0	3211174	OWN.MAN.ADD. 125/250 SX/SXS 07	1
0	3CF6300G1EN	SPC CHASSIS 250 SXS 2007	1
0	3CM083632GEN	SPC ENGINE 250 SXS 2007	1
0	SXS07000000	SXS-TESTDAYS 2007	1

070002000 / C07SXS2001

\* NEW PART

X AS REQUIRED











KTM-Sportmotorcycle AG  
A-5230 Mattighofen  
[www.ktm.at](http://www.ktm.at)

KTM Group Partner



3CF6300G1EN



Art.Nr.: 3CF6300G1EN 11/2006